



MDV

CLIMATE SOLUTION FOR GREEN ENVIRONMENT

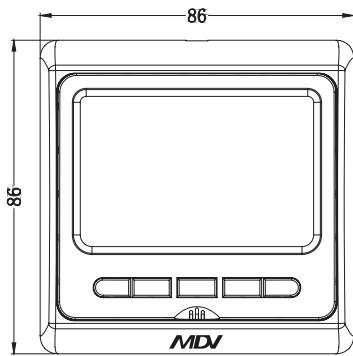
KJR-811

2-
2- 3-
LCD
86*86

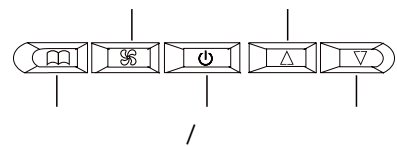


KJR-811

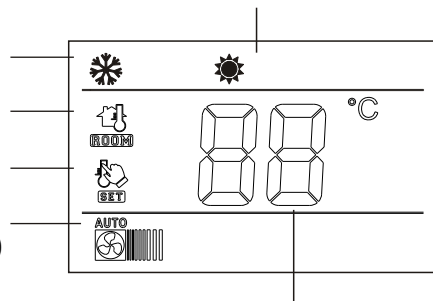
KJR-811	
2-	FCU
	~220 /50
	10°C~30°C
	/
	/ /
	≤1.5mm ²
	±1%
	-
t-0C~	+50C 95%
	86*86*42.7mm
2-	3-



②



①



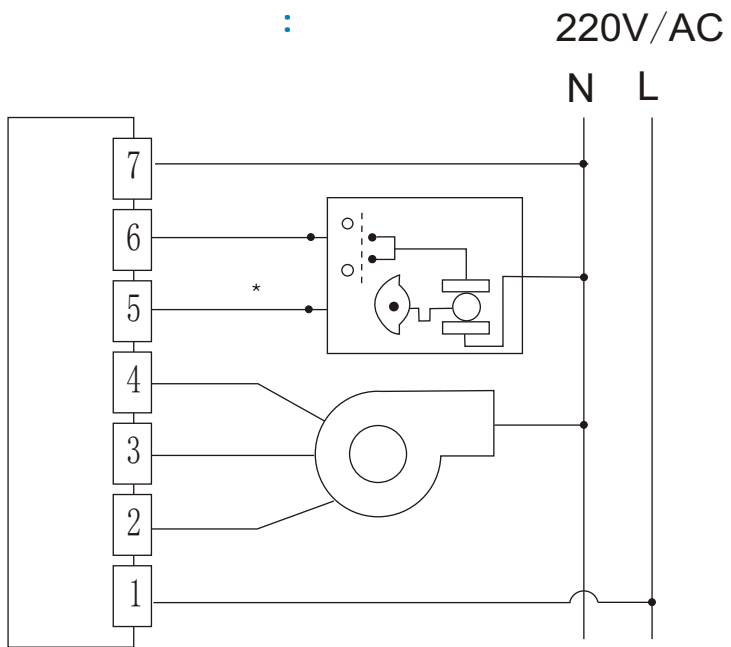
1. / ①
2. ②
3. ▽
4. ; ; ;

① : Δ 1°C

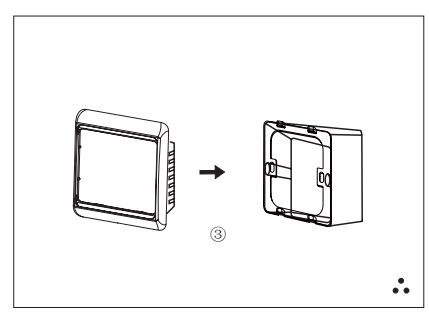
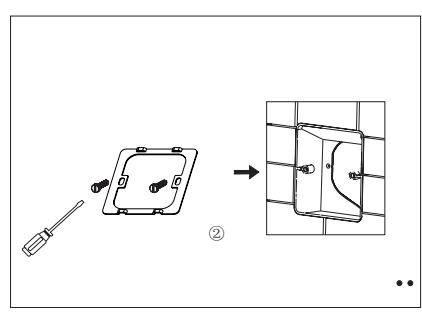
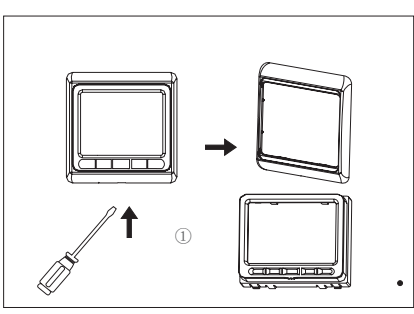
② : ▽ 1°C

5. 1°C 1°C. Δ

3, 2, 1, 3



*- 2-



- ①
- ②
- ③