



Air cooled water chillers

AG 030.2÷110.2
cooling capacity from 100 to 390 kW
50 Hz - refrigerant: HCFC 22, HFC 407C, HFC 134a



AG - Air cooled water chillers

The air cooled water cooling units of the McQuay AG series equipped with scroll and reciprocating compressors is an extension of the range of McQuay ALR units. Produced with McQuay engineering expertise the units are able to satisfy the needs of designers and users. The V and W condenser arrangement and the internal components location make the most compact and smallest footprint on the market. A versatile and wide range of optional accessories available make the unit suitable for all applications, HVAC, industrial fields and continuous processes. The AG units are completely factory assembled, piped, wired and charged with refrigerant and shipped in one piece ready for installation.

Highly flexible design

The AG units is available in 16 sizes covering a range from 100 to 390 kW nominal cooling capacity when equipped with special accessories they can operate with an external air temperature of -18°C and with coolant temperature between +15°C and -8°C. Many optional features can be added to fit all installation requirements.

Low installation costs

The complete assembly of the units and function testing at the factory reduces the cost of installation on site. A rigid steel base distributes the weight of the unit to the support points and allows simple installation by an easy access to the lifting points. The units are designed with a single point three-phase mains connection for 400 Volt. A transformer, fitted as standard on the control panel, feeds the control system. The AG units can also include a pumping set consisting of one or more coolant circulation pumps (see accessories 43 and 44) and buffer tank (see accessory 44). All units are supplied complete with refrigerants HCFC 22, HFC 407C or HFC 134a.

Low maintenance costs

The microprocessor safety and control system allows the trouble shooting of any type of functional anomaly, enabling simpler, safer and timely intervention by the unit maintenance personnel. The oil heater in the sump on each compressor and a complete set of controls and safety devices protect the unit from abnormal operating conditions. The design of the AG unit, with two independent refrigerant circuits, increases the redundancy of the unit and allows maintenance while a part of the unit continues to function.

Code requirements

All the electrical equipment, the heat exchangers and the safety valves have been tested, where necessary, in accordance with the local national standards. The order should specify the type of code requirements (see options 88-90). Units are CE marked.

Factory testing

Each unit is pressure tested, vacuum tested, evacuated and charged with the refrigerant requested. It is then tested at the factory's test bench under the design conditions specified by the customer. Upon request, a second series of tests can be carried out witnessed by the customer (see option 92). Before shipment, each unit is re-checked for pressure and refrigerant charge control.

General characteristics

Cabinet and structure

The cabinet is made of galvanized steel sheet and painted to provide a high resistance to corrosion. The unit base frame has holes to lift the unit with ropes for an easy installation. The weight is uniformly distributed along the profiles of the base and this facilitates the arrangement of the unit's bases and the support structures. The electrical and control equipment is located inside cubicles which can be accessed by key locked doors complete with door interlocking on the power cabinet.

Compressors

The compressors installed in the AG units are of the scroll type (AGZ 030.2-AGZ 045.2) or of the semi-hermetic reciprocating type (AGR 050.2-AGR 110.2).

Scroll compressors

The scroll compressors achieve a high volumetric efficiency, due to constant contact with the sides of the scroll spirals and the total absence of discharge and suction valves. This compressor is not only extremely reliable thanks to the reduced number of moving parts, but has an exceptionally low noise level thanks to the absence of suction and discharge valves and hence of the reduced pulsations of the discharge gas. The reduction in moving parts means a very low level of vibration. Each compressor is equipped with a check valve on the discharge to maintain the pump-down condition and hence avoid the migration of the refrigerating gas from the condenser to the evaporator.

Semi-hermetic reciprocating compressors

Consist of multiple cylinders with suction and discharge valves. The forced lubrication of the crankshaft bearings and of the big end bearings is achieved by using a gear pump which is independent of the compressor's direction of rotation. The crankshaft of each compressor is statically and dynamically balanced. In addition, each compressor is fitted with oil differential pressure switch.

Each scroll or reciprocating compressor is charged with the necessary quantity of lubricant and supplied with the following accessories as standard: sump heater, electric motor protection module, discharge and suction shut-off valves (optional for reciprocating).

Evaporator

The evaporator is a direct expansion shell-and-tube type with water flowing in the baffled shell side and refrigerant flowing through the tubes. The AG evaporator are designed in two separate refrigerant circuits, one for each compressor. The evaporator is manufactured with a carbon steel shell and seamless high efficiency copper tubes. Roll expansion anchors the refrigerant tubes in the heavy carbon steel tube sheet. Water baffles are polypropylene to resist corrosion. Refrigerant head is in carbon steel and is removable to permit access to the tubes. The evaporator is wrapped with closed-cell heat insulation and equipped with a removable heater to protect the evaporator against the freezing down to -18°C. Available as an optional, AG units may be equipped with one or more circulation pumps complete with shut off valves, check valves and tank.

Condenser coils

The new AG units are constructed with internally enhanced seamless copper tubes arranged in a staggered row pattern and mechanically expanded into McQuay lanced and rippled aluminium condenser fins with full fin collars. An integral subcooled circuit provided sufficient sub cooling to effectively eliminate liquid flashing and increases in cooling capacity by 5÷7% without increasing in absorbed power.

Condenser coil fan

The condenser fan are of the helical type with wing-profile blades to achieve a better performance. The direct coupling with the electrical motor eliminates any problems as regards the application of transmission devices and reduces the vibrations caused by the functioning. The motors are supplied as standard with IP54 protection (Insulation class F) and are of the three-phase type; they are protected against overloading and short circuits by circuit breakers located inside the electrical control panel. The fans operate in formed bell shaped orifices.

Electrical control panel and control devices

The electrical components for both the power and the control are split into two sections on the main panel, accessed by individual key locked doors to prevent unauthorised entry. The panel is manufactured to ensure protection in all weather conditions (IP 54) and the doors are fitted with door-stays to prevent accidental closure. The power panel is fitted with a door interlocked mains isolator to prevent access while it is live. The electrical control panel complies with IEC204-1 safety norms. The power section includes: contactors, fuses for compressors, fans circuit breakers and control circuit transformer. Additional space is provided for the installation of the various optional accessories provided to enhance the capabilities of the AG units.

The control section includes: the microprocessor regulator which carries out the following functions:

- access password to prevent unauthorised access
- water temperature control
- regulation of temperature set points
- start-up sequence delay device
- compressor functioning- fan on-off control
- antifreeze control
- antifreeze heater functioning
- general alarm
- differential pressure switch or pump failure alarm (opt.)

By means of automatic safety and protection devices the microprocessor controls the main components of the equipment such as: thermal protection of the electric motor windings, refrigerant and oil pressure monitoring. A microprocessor internal clock (optional) can be used to program the operating schedule of the chiller and the water circulating pumps in order to meet each specific building load profile precisely. On request, a multifunctional microprocessor control device of the MicroTech™ type can be installed (see Price List).

Ambient condition

The AG units can operate as standard with an external air temperature down to +5°C. With the fan rotation speed control the unit will function correctly also when the external air temperature is as low as -18°C (see accessory 31). All units can function with an external air temperature of up to +42°C.

Refrigerant circuit

The AG units are equipped with a complete refrigerant circuit charge HCFC22, HFC407C or HFC134a. The circuit consists of insulated copper pipes on the suction line and is complete with suction shut-off valves (option for reciprocating), filter driers, moisture indicators, liquid sight glass, thermostatic expansion valves.

Accessories and Options

02. De-superheaters (D) - produced with plate to plate heat exchangers installed between the compressor discharge and the condenser coil. These allow hot water to be produced up to a maximum temperature of +55°C.

07. Brine double set point version (CB) - Dual leaving glycol mixture temperature setpoints. The lower setpoint can go down to -8°C.

11. Compressor thermal overload relays - Safety devices against compressor motor overloading in addition to the normal protection envisaged by the electrical windings.

15. Phase monitor - The phase monitor controls the voltage values on the supply line stopping the unit when the calibration threshold is reached ($\pm 10\%$). This safety device is automatically reset.

16. Ammeter and voltmeter - Digital meters of unit drawn amperes and voltage values, installed on the electrical control panel.

17. Condenser power factor correction - Installed on the electrical control panel to ensure it conforms to the plant rules. (McQuay advises maximum 0,9).

18. 110 Volt control circuit - The 110 Volt control circuit are supplied by an appropriate current transformer installed on the electrical control panel.

31. Fan speed regulator - This device allows the continuous variation of the fan speed, modifying the air flow according to the external temperature conditions down to -18°C (standard for the LN and SLN version).

32. Condenser coil guards - Metal protection guards fixed on all the external surface of the condenser coils.

33. Compressor guards - To prevent unauthorised access to the cooling unit components.

34. Cu-Cu condensing coils - To give better protection against corrosion by aggressive environments.

35. Cu-Cu-Sn condensing coils - To give better protection against corrosion in aggressive environments and by salty air.

36. Alucoat condensing coils - Fins are protected by a

special epoxy paint with a high resistance to corrosion.

42. Flow switch - Supplied separately to be wired and installed on the evaporator water piping (by the customer).

43. Water circulation pump - Pump unit, assembled and wired, consists of a water circulation pump (max. working pressure 6 bar) complete with safety valve and 8 litre expansion tank. The pump motor is protected by a circuit breaker.

44. Two water circulation pumps - Pump unit, assembled and wired, consisting of two water circulation pumps (max. working pressure 6 bars) complete with shut off valve, check valves, safety valve and 8 litre expansion tank. The pump motors are protected by circuit breakers and controlled by a two-position switch.

45. Inertial tank - Cooled water buffer tank to give to the hydraulic plant inertia and reduce excessive compressor starts and stops. The tank is complete with: automatic filling module, manual vent valve, drain tap and antifreeze heater. The tank is heat insulated with 30-mm thick PU and wrapped with aluminium.

60. Suction shut-off valve - Suction shut-off valve installed on the suction port (not available on AGZ).

61. Gauges - Gauges to control high and low gas pressure and lubricant oil pressure (not available on AGZ).

80. Spreader bars - Facilitate the lifting of the units keeping the ropes away from the unit's casing.

82. Wooden box packing - Self-supporting wooden box internally insulated and suitable for shipment by sea.

83. Open Cage packing - Protection with polythene and wooden cage for transport and protection before the installation.

84. Rubber type antivibration mounts - Supplied separately, these are positioned under the base of the unit during installation. Ideal to reduce the vibrations when the unit is floor mounted.

85. Spring type antivibration mounts - Supplied separately, these are positioned under the base of the unit during installation. Ideal for dampening vibrations for installation on roofs and metallic structures.

88. TUV approval - If required, the cooling units can be TUV tested and certified.

89. S.A. approval - If required, the cooling units can be S.A. tested and certified.

90. S.D.M. approval - If required, the cooling units can be S.D.M. tested and certified.

92. Witness tests - The units are normally tested at the test bench prior to the shipment. On request, a second test can be carried out, at customer's presence, in accordance with the procedures indicated on the test form. (Not available for units with Glycol mixtures).

Table 1 Operating limits

		Cooling	
		min	max
Water inlet temp.	°C	-5	20
Water outlet temp.	°C	-8	15
Δt water	°C	3	6
Ambient temperature	°C	-18	42

Table 2 Evaporator fouling factors

Fouling factors m ² °C/kW	Cooling capacity Correction factor	Power input Correction factor	COP Correction factor
0,044	1	1	1
0,088	0,986	0,992	0,994
0,132	0,972	0,984	0,987

Table 3 - Ethylene glycol and low ambient temperature correction factors

Air ambient temperature °C	-3	-8	-14	-22	-33
% of ethylene glycol by weight	10	20	30	40	50
Cooling capacity correction factor	0,991	0,982	0,972	0,961	0,946
Power input correction factor	0,996	0,992	0,986	0,976	0,966
Flow rate correction factor	1,013	1,040	1,074	1,121	1,178
Water pressure drops correction factor	1,070	1,129	1,181	1,263	1,308

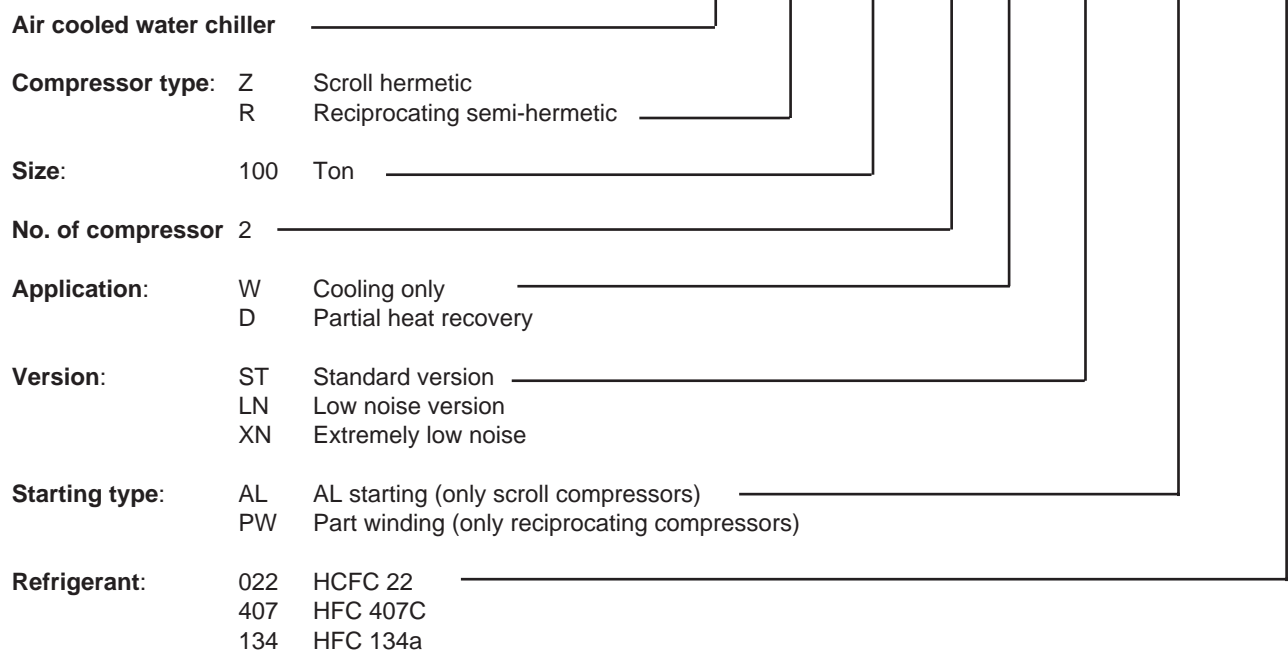
Table 4 - Low temperature operation performance factors

Ethylene glycol/water leaving temperature °C	2	0	-2	-4	-6	-8
Max leaving heat rec. condenser water temp. °C	48	46	45	44	43	42
Max air ambient temperature °C	42	40	39	38	37	36
Cooling capacity correction factor	0,842	0,785	0,725	0,670	0,613	0,562
Power input compressors correction factor	0,95	0,94	0,92	0,89	0,87	0,84
Min. % of ethylene glycol	10	20	20	30	30	30

To have the adjusted values for low temperature operations, table 4 correction factors must be applied to the performance data at: 12/7°C, design ambient temperature.

Nomenclature

AG R 100.2 W ST PW 022



Physical data AG ST 030.2÷075.2

"AGZ ST" unit size		030.2	035.2	040.2	045.2
Cooling capacity (HCFC 22) (1)	kW	98,5	111,0	124,8	137,7
Power input (HCFC 22) (1)	kW	27,7	33,5	37,6	43,6
Cooling capacity (HFC 407C) (1)	kW	95,5	107,7	121,0	133,6
Power input (HFC 407C) (1)	kW	27,7	33,5	37,6	43,6
Cooling capacity (HFC 134a) (1)	kW	67,0	75,5	84,8	93,6
Power input (HFC 134a) (1)	kW	17,0	20,6	23,1	26,8
Compressor type/No. of compressor		scroll/4	scroll/4	scroll/4	scroll/4
No. of circuit		2	2	2	2
No. of reduction steps	Standard	4	4	4	4
Condenser fans					
No. of fans/Fan motor	kW	2/1,0	2/1,0	2/2,1	2/2,1
Total air flow	m3/s	8	8	10,6	10,6
Evaporator					
No. of evaporator		1	1	1	1
Max operating pressure	bar	16	16	16	16
Water volume	l	40	40	40	40
Condenser coil					
No. of coil		2	2	2	2
Weight					
Operating weight	kg	1400	1400	1400	1400
Shipping weight	kg	1360	1360	1360	1360

"AGR ST" unit size		050.2	055.2	060.2	065.2	070.2	075.2
Cooling capacity (HCFC 22) (1)	kW	168,4	186,3	204,2	231,6	251,0	266,2
Power input (HCFC 22) (1)	kW	57,9	63,2	68,5	71,9	79,2	80,6
Cooling capacity (HFC 407C) (1)	kW	163,4	180,8	198,1	226,7	243,5	258,2
Power input (HFC 407C) (1)	kW	57,9	63,2	68,5	71,9	79,2	80,6
Cooling capacity (HFC 134a) (1)	kW	114,5	126,7	138,9	157,5	170,7	181,0
Power input (HFC 134a) (1)	kW	35,6	38,9	42,1	44,2	48,7	49,6
Compressor type/No. of compressor		recip/2	recip/2	recip/2	recip/2	recip/2	recip/2
No. of circuit		2	2	2	2	2	2
No. of reduction steps	Standard	4	4	4	4	4	4
Condenser fans							
No. of fans/Fan motor	kW	2/2,1	2/2,1	2/2,1	4/2,1	4/2,1	4/2,1
Total air flow	m3/s	12,8	15	15	27,3	27,3	27,3
Evaporator							
No. of evaporator		1	1	1	1	1	1
Max operating pressure	bar	16	16	16	16	16	16
Water volume	l	60	60	60	100	100	90
Condenser coil							
No. of coil		2	2	2	4	4	4
Weight							
Operating weight	kg	1460	1540	1570	2330	2330	2330
Shipping weight	kg	1400	1480	1510	2240	2240	2240

Note: (1) Nominal cooling capacity are based on: 12/7 °C entering/leaving evaporator water temperature; 35°C ambient temperature.

Physical data AG ST 080.2÷110.2

"AGR ST" unit size		080.2	085.2	090.2	095.2	100.2	110.2
Cooling capacity (HCFC 22) (1)	kW	279,1	307,2	321,6	338,3	369,2	380,4
Power input (HCFC 22) (1)	kW	56,6	94,0	97,0	104,0	110,5	117,0
Cooling capacity (HFC 407C) (1)	kW	270,7	298,0	312,0	328,2	348,5	368,8
Power input (HFC 407C) (1)	kW	86,6	94,0	97,0	104,0	110,5	117,0
Cooling capacity (HFC 134a) (1)	kW	189,8	208,9	218,7	218,7	244,3	258,5
Power input (HFC 134a) (1)	kW	53,3	57,8	59,6	59,6	67,3	71,3
Compressor type/No. of compressor		recip/2	recip/2	recip/2	recip/2	recip/2	recip/2
No. of circuit		2	2	2	2	2	2
No. of reduction steps	Standard	4	4	4	4	4	4
Condenser fans							
No. of fans/Fan motor	kW	4/2,1	4/2,1	4/2,1	4/2,1	4/2,1	4/2,1
Total air flow	m3/s	24,9	23,9	23,9	32,8	31,4	30
Evaporator							
No. of evaporator		1	1	1	1	1	1
Max operating pressure	bar	16	16	16	16	16	16
Water volume	l	90	90	90	90	90	90
Condenser coil							
No. of coil		4	4	4	4	4	4
Weight							
Operating weight	kg	2330	2330	2330	2930	2990	3020
Shipping weight	kg	2240	2240	2240	2840	2890	2930

Note: (1) Nominal cooling capacity are based on: 12/7 °C entering/leaving evaporator water temperature; 35°C ambient temperature.

Sound pressure level AG ST 030.2÷110.2

AG ST unit size	Sound pressure level at 1 m from the unit in free field (ref. 2×10^{-5})								dBA
	63 Hz	125 Hz	250 Hz	500 Hz	1000 Hz	2000 Hz	4000 Hz	8000 Hz	
AGZ ST 030.2	71,5	72,0	73,0	71,5	71,0	68,5	60,0	55,0	75,0
AGZ ST 035.2	71,5	72,0	73,0	71,5	71,0	68,5	60,0	55,0	75,0
AGZ ST 040.2	71,5	72,0	73,0	71,5	71,0	68,5	60,0	55,0	75,0
AGZ ST 045.2	71,5	72,0	73,0	71,5	71,0	68,5	60,0	55,0	75,0
AGR ST 050.2	74,5	75,0	77,0	76,0	75,0	73,0	64,0	59,5	79,5
AGR ST 055.2	74,5	75,0	77,0	76,0	75,0	73,0	64,0	59,5	79,5
AGR ST 060.2	74,5	75,0	77,0	76,0	75,0	73,0	64,0	59,5	79,5
AGR ST 065.2	74,5	75,0	77,0	76,0	75,0	73,0	64,0	59,5	79,5
AGR ST 070.2	74,5	75,0	77,0	76,0	75,0	73,0	64,0	59,5	79,5
AGR ST 075.2	74,5	75,0	77,0	76,0	75,0	73,0	64,0	59,5	79,5
AGR ST 080.2	74,5	75,0	77,0	76,0	75,0	73,0	64,0	59,5	79,5
AGR ST 085.2	74,5	75,0	77,0	76,0	75,0	73,0	64,0	59,5	79,5
AGR ST 090.2	74,5	75,0	77,0	76,0	75,0	73,0	64,0	59,5	79,5
AGR ST 095.2	77,5	79,5	80,5	80,5	79,0	75,5	72,0	70,5	83,5
AGR ST 100.2	77,5	79,5	80,5	80,5	79,0	75,5	72,0	70,5	83,5
AGR ST 110.2	77,5	79,5	80,5	80,5	79,0	75,5	72,0	70,5	83,5

Note: Average sound pressure level rated in accordance to ISO 3744, free field conditions. 12/7 °C entering/leaving evaporator water temperature; 35 °C ambient temperature.

Electrical data AG ST (HCFC 22 - HFC 407C)

"AGZ ST" (HCFC 22 and HFC 407C)		030.2	035.2	040.2	045.2
Standard voltage		400 V - 3f - 50 Hz (1)			
Total compr. absorbed current nom. cond. (2)	A	51,6	61,6	69,4	79,6
Max absorbed current each compressor (3)	A	37+37	42,4+42,4	47,2+47,2	52+52
Max inrush current bigger compressor AL (4)	A	116	128	159	159
Max inrush current bigger compressor PW (5)	A	NA	NA	NA	NA
Total fans absorbed current nom. cond. (2)	A	5	5	8,4	8,4
Total unit absorbed current nom. cond. (2)	A	56,6	67,6	77,8	88
Max unit absorbed current (3)	A	79	89,8	102,8	112,4
Max unit inrush current AL (4)	A	175,1	195,2	233,4	244
Max unit inrush current PW (5)	A	NA	NA	NA	NA

"AGR ST" (HCFC 22 and HFC 407C)		050.2	055.2	060.2	065.2	070.2	075.2
Standard voltage		400 V - 3f - 50 Hz (1)					
Total compr. absorbed current nom. cond. (2)	A	102,8	107,7	112,6	128,9	150,4	152,4
Max absorbed current each compressor (3)	A	65,5+65,5	65,5+70,5	70,5+70,5	70,5+92	92+92	92+92
Max inrush current bigger compressor AL (4)	A	NA	NA	NA	NA	NA	NA
Max inrush current bigger compressor PW (5)	A	202	247	247	286	286	286
Total fans absorbed current nom. cond. (2)	A	8,4	8,4	8,4	16,8	16,8	16,8
Total unit absorbed current nom. cond. (2)	A	111,2	116,1	121	145,7	167,2	169,2
Max unit absorbed current (3)	A	139,4	143,9	143,4	179,3	200,8	200,8
Max unit inrush current AL (4)	A	NA	NA	NA	NA	NA	NA
Max unit inrush current PW (5)	A	274,5	320,5	325,5	370,5	392	392

"AGR ST" (HCFC 22 and HFC 407C)		080.2	085.2	090.2	095.2	100.2	110.2
Standard voltage		400 V - 3f - 50 Hz (1)					
Total compr. absorbed current nom. cond. (2)	A	164,2	178	182,6	180,8	192,1	203,4
Max absorbed current each compressor (3)	A	92+112	112+112	112+112	98+98	98+114	114+114
Max inrush current bigger compressor AL (4)	A	NA	NA	NA	NA	NA	NA
Max inrush current bigger compressor PW (5)	A	347	347	347	345	537	537
Total fans absorbed current nom. cond. (2)	A	16,8	16,8	16,8	16,8	16,8	16,8
Total unit absorbed current nom. cond. (2)	A	181,0	194,8	199,4	197,8	208,9	220,2
Max unit absorbed current (3)	A	220,8	240,8	240,8	212,8	228,8	244,8
Max unit inrush current AL (4)	A	NA	NA	NA	NA	NA	NA
Max unit inrush current PW (5)	A	453	473	473	459	651	667

Notes: (1) Allowed voltage tolerance $\pm 10\%$.

(2) Absorbed current nominal condition: 12/7°C entering/leaving evaporator water temperature; 35°C ambient temperature.

(3) Absorbed current max. condition: 9°C leaving evaporator water temperature; 42°C ambient temperature.

(4) AL = Accross the line starting, only for bigger compressor.

(5) PW = Part winding starting, only for bigger compressor.

Electrical data AG ST (HFC 134a)

"AGZ ST" (HFC 134a)		030.2	035.2	040.2	045.2
Standard voltage		400 V - 3f - 50 Hz (1)			
Total compr. absorbed current nom. cond. (2)	A	40,4	47,2	53,2	59,2
Max absorbed current each compressor (3)	A	18,5*4	21,2*4	23,6x2+23,6x2	26*4
Max inrush current bigger compressor AL (4)	A	116	128	159	159
Max inrush current bigger compressor PW (5)	A	NA	NA	NA	NA
Total fans absorbed current nom. cond. (2)	A	5	5	8,4	8,4
Total unit absorbed current nom. cond. (2)	A	45,4	52,2	61,6	67,6
Max unit absorbed current (3)	A	79,0	89,8	102,8	112,4
Max unit inrush current AL (4)	A	175,1	195,2	227,4	244
Max unit inrush current PW (5)	A	NA	NA	NA	NA

"AGR ST" (HFC 134a)		050.2	055.2	060.2	065.2	070.2	075.2
Standard voltage		400 V - 3f - 50 Hz (1)					
Total compr. absorbed current nom. cond. (2)	A	61,6	67,3	73	80,1	87,2	88
Max absorbed current each compressor (3)	A	41,7*2	41,7+51	51*2	51+63	63+63	63+63
Max inrush current bigger compressor AL (4)	A	NA	NA	NA	NA	NA	NA
Max inrush current bigger compressor PW (5)	A	114	155	155	247	247	247
Total fans absorbed current nom. cond. (2)	A	8,4	8,4	8,4	16,8	16,8	16,8
Total unit absorbed current nom. cond. (2)	A	70	75,7	81,4	96,9	104,0	104,0
Max unit absorbed current (3)	A	94,8	110,4	110,4	130,8	142,8	142,8
Max unit inrush current AL (4)	A	NA	NA	NA	NA	NA	NA
Max unit inrush current PW (5)	A	162,7	204,7	214	312	324	324

"AGR ST" (HFC 134a)		080.2	085.2	090.2	095.2	100.2	110.2
Standard voltage		400 V - 3f - 50 Hz (1)					
Total compr. absorbed current nom. cond. (2)	A	104,5	121,8	123	110	116,8	123,6
Max absorbed current each compressor (3)	A	63+77	77+77	77+77	72+72	72+72	72+72
Max inrush current bigger compressor AL (4)	A	NA	NA	NA	NA	NA	NA
Max inrush current bigger compressor PW (5)	A	315	315	315	345	345	345
Total fans absorbed current nom. cond. (2)	A	16,8	16,8	16,8	16,8	16,8	16,8
Total unit absorbed current nom. cond. (2)	A	121,3	138,6	139,8	126,8	133,6	140,4
Max unit absorbed current (3)	A	156,8	170,8	170,8	160,8	160,8	160,8
Max unit inrush current AL (4)	A	NA	NA	NA	NA	NA	NA
Max unit inrush current PW (5)	A	392	406	406	433	433	433

Notes: (1) Allowed voltage tolerance $\pm 10\%$.

(2) Absorbed current nominal condition: 12/7°C entering/leaving evaporator water temperature; 35°C ambient temperature.

(3) Absorbed current max. condition: 9°C leaving evaporator water temperature; 42°C ambient temperature.

(4) AL = Accross the line starting, only for bigger compressor.

(5) PW = Part winding starting, only for bigger compressor.

Standard ratings AG ST 030.2÷075.2 (HCFC 22)

Unit size	Leaving chilled water temp.- °C	AMBIENT TEMPERATURE - ° C									
		25		30		35		40		42	
		Cooling capacity kW	Power Input kW	Cooling capacity kW	Power Input kW	Cooling capacity kW	Power Input kW	Cooling capacity kW	Power Input kW	Cooling capacity kW	Power Input kW
AGZ ST 030.2	4	99,5	22,1	95,4	25,0	91,4	27,9	87,3	30,9	86,0	31,8
	5	101,9	22,0	97,8	24,9	93,7	27,9	89,7	30,8	88,4	31,8
	6	104,2	22,0	100,1	24,9	96,1	27,8	92,1	30,7	90,7	31,7
	7	106,7	21,9	102,6	24,9	98,6	27,8	94,5	30,7	93,2	31,6
	8	109,2	21,9	105,1	24,8	101,0	27,7	97,0	30,6	95,6	31,6
	9	111,5	21,9	107,4	24,8	103,4	27,6	99,3	30,5	97,9	31,5
AGZ ST 035.2	4	112,1	26,7	107,5	30,2	102,9	33,7	98,4	37,3	96,9	38,4
	5	114,8	26,6	110,2	30,1	105,6	33,7	101,1	37,2	99,6	38,3
	6	117,5	26,5	112,8	30,1	108,3	33,6	103,7	37,1	102,2	38,3
	7	120,2	26,5	115,6	30,0	111,1	33,5	106,5	37,0	105,0	38,2
	8	123,0	26,4	118,4	29,9	113,8	33,5	109,3	37,0	107,8	38,1
	9	125,7	26,4	121,0	29,9	116,5	33,4	111,8	36,9	110,3	38,0
AGZ ST 040.2	4	126,0	30,0	120,8	33,9	115,7	37,9	110,6	41,9	108,9	43,2
	5	129,0	29,9	123,8	33,9	118,7	37,8	113,6	41,8	111,9	43,1
	6	132,0	29,8	126,8	33,8	121,7	37,8	116,6	41,7	114,9	43,0
	7	135,1	29,8	130,0	33,7	124,8	37,7	119,7	41,6	118,0	42,9
	8	138,3	29,7	133,1	33,7	128,0	37,6	122,8	41,5	121,1	42,9
	9	141,2	29,7	136,1	33,6	131,0	37,5	125,7	41,5	124,0	42,8
AGZ ST 045.2	4	139,1	34,7	133,3	39,3	127,7	43,9	122,0	48,5	120,2	50,0
	5	142,4	34,6	136,6	39,2	131,0	43,8	125,4	48,4	123,5	49,9
	6	145,7	34,5	139,9	39,1	134,3	43,7	128,7	48,3	126,8	49,8
	7	149,1	34,5	143,4	39,0	137,7	43,6	132,1	48,2	130,2	49,7
	8	152,6	34,4	146,8	39,0	141,2	43,5	135,5	48,1	133,6	49,6
	9	155,8	34,3	150,1	38,9	144,5	43,4	138,7	48,0	136,8	49,5
AGR ST 050.2	4	170,1	44,9	163,1	50,8	156,2	56,5	149,3	62,4	147,0	64,4
	5	174,1	45,2	167,1	51,2	160,2	57,0	153,3	63,0	151,0	65,0
	6	178,2	45,6	171,2	51,5	164,3	57,5	157,4	63,5	155,1	65,5
	7	182,4	45,8	175,4	51,8	168,5	57,9	161,6	64,0	159,3	66,0
	8	186,6	46,0	179,6	52,2	172,7	58,3	165,8	64,4	163,5	66,5
	9	190,6	46,3	183,6	52,5	176,7	58,7	169,7	65,0	167,3	67,0
AGR ST 055.2	4	188,1	49,0	180,4	55,5	172,7	61,7	165,1	68,2	162,6	70,3
	5	192,6	49,4	184,9	55,9	177,2	62,3	169,6	68,7	167,1	70,9
	6	197,1	49,8	189,3	56,3	181,7	62,8	174,1	69,3	171,5	71,5
	7	201,8	50,0	194,0	56,6	186,4	63,2	178,7	69,9	176,2	72,1
	8	206,4	50,3	198,7	57,0	191,0	63,7	183,4	70,3	180,8	72,6
	9	210,9	50,5	203,1	57,3	195,5	64,1	187,7	70,9	185,1	73,2
AGR ST 060.2	4	206,2	53,1	197,7	60,1	189,3	66,9	181,0	73,9	178,2	76,2
	5	211,1	53,5	202,6	60,6	194,2	67,5	185,9	74,5	183,1	76,9
	6	216,0	54,0	207,5	61,0	199,1	68,1	190,8	75,1	188,0	77,5
	7	221,1	54,2	212,6	61,4	204,3	68,5	195,9	75,7	193,1	78,1
	8	226,2	54,5	217,8	61,8	209,4	69,0	201,0	76,2	198,2	78,7
	9	231,1	54,7	222,6	62,1	214,3	69,5	205,7	76,9	202,9	79,3
AGR ST 065.2	4	233,8	55,8	224,2	63,2	214,7	70,3	205,2	77,6	202,1	80,0
	5	239,4	56,2	229,8	63,6	220,3	70,9	210,8	78,2	207,6	80,7
	6	245,0	56,7	235,3	64,0	225,8	71,5	216,4	78,9	213,2	81,4
	7	250,8	56,9	241,1	64,4	231,6	72,0	222,1	79,5	218,9	82,0
	8	256,6	57,2	246,9	64,9	237,4	72,5	227,9	80,1	224,7	82,6
	9	262,1	57,5	252,4	65,2	243,0	73,0	233,2	80,7	230,1	83,3
AGR ST 070.2	4	253,4	61,4	243,0	69,6	232,6	77,4	222,4	85,5	219,0	88,2
	5	259,4	61,9	249,0	70,1	238,7	78,1	228,4	86,2	225,0	88,9
	6	265,5	62,4	255,0	70,5	244,7	78,7	234,5	86,9	231,0	89,7
	7	271,7	62,7	261,3	71,0	251,0	79,3	240,7	87,6	237,3	90,3
	8	278,0	63,0	267,6	71,5	257,3	79,8	247,0	88,2	243,5	91,0
	9	284,0	63,3	273,6	71,9	263,3	80,4	252,8	88,9	249,3	91,8
AGR ST 075.2	4	268,7	62,5	257,7	70,8	246,7	78,7	235,9	86,9	232,3	89,7
	5	275,1	63,0	264,1	71,3	253,1	79,4	242,3	87,7	238,6	90,4
	6	281,5	63,5	270,5	71,8	259,5	80,1	248,7	88,4	245,0	91,2
	7	288,2	63,7	277,1	72,2	266,2	80,6	255,3	89,1	251,6	91,9
	8	294,9	64,1	283,8	72,7	272,9	81,2	261,9	89,7	258,3	92,6
	9	301,2	64,4	290,1	73,1	279,3	81,8	268,1	90,5	264,4	93,3

Standard ratings AG ST 080.2÷110.2 (HCFC 22)

Unit size	Leaving chilled water temp.-°C	AMBIENT TEMPERATURE - °C									
		25		30		35		40		42	
		Cooling capacity kW	Power Input kW	Cooling capacity kW	Power Input kW	Cooling capacity kW	Power Input kW	Cooling capacity kW	Power Input kW	Cooling capacity kW	Power Input kW
AGR ST 080.2	4	281,8	67,2	270,2	76,0	258,7	84,6	247,3	93,4	243,5	96,3
	5	288,5	67,7	276,9	76,6	265,4	85,3	254,0	94,2	250,2	97,2
	6	295,2	68,2	283,6	77,1	272,1	86,0	260,7	95,0	256,9	98,0
	7	302,2	68,5	290,6	77,6	279,1	86,6	267,6	95,7	263,8	98,7
	8	309,1	68,9	297,5	78,1	286,1	87,2	274,6	96,4	270,8	99,5
	9	315,8	69,2	304,2	78,6	292,8	87,8	281,1	97,2	277,2	100,3
AGR ST 085.2	4	310,1	72,9	297,4	82,5	284,7	91,8	272,2	101,3	268,0	104,5
	5	317,5	73,4	304,7	83,1	292,1	92,6	279,6	102,2	275,4	105,4
	6	324,9	74,0	312,1	83,6	299,5	93,4	287,0	103,1	282,8	106,3
	7	332,6	74,3	319,8	84,1	307,2	94,0	294,6	103,9	290,4	107,1
	8	340,3	74,7	327,5	84,7	314,9	94,6	302,3	104,6	298,1	107,9
	9	347,6	75,1	334,8	85,2	322,3	95,3	309,4	105,4	305,1	108,8
AGR ST 090.2	4	324,7	75,2	311,4	85,1	298,1	94,7	285,0	104,6	280,6	107,9
	5	332,5	75,8	319,1	85,7	305,9	95,5	292,7	105,5	288,3	108,8
	6	340,2	76,4	326,8	86,3	313,6	96,4	300,5	106,4	296,0	109,7
	7	348,2	76,7	334,9	86,9	321,7	97,0	308,5	107,2	304,0	110,6
	8	356,3	77,1	342,9	87,4	329,7	97,7	316,5	107,9	312,1	111,4
	9	363,9	77,5	350,6	88,0	337,4	98,4	323,9	108,8	319,5	112,3
AGR ST 095.2	4	341,6	80,6	327,5	91,3	313,6	101,5	299,8	112,1	295,2	115,6
	5	349,7	81,2	335,6	91,9	321,8	102,4	307,9	113,1	303,3	116,6
	6	357,8	81,9	343,8	92,5	329,9	103,3	316,1	114,0	311,4	117,6
	7	366,3	82,2	352,3	93,1	338,4	104,0	324,5	114,9	319,8	118,5
	8	374,8	82,7	360,7	93,7	346,8	104,7	332,9	115,7	328,3	119,4
	9	382,8	83,1	368,8	94,3	355,0	105,4	340,7	116,7	336,1	120,4
AGR ST 100.2	4	362,7	85,6	347,7	97,0	333,0	107,9	318,3	119,1	313,4	122,9
	5	371,3	86,3	356,4	97,6	341,6	108,8	327,0	120,1	322,1	123,9
	6	379,9	87,0	365,0	98,3	350,3	109,7	335,6	121,2	330,7	125,0
	7	388,9	87,3	374,0	98,9	359,3	110,5	344,5	122,1	339,6	125,9
	8	397,9	87,8	383,0	99,6	368,3	111,3	353,5	122,9	348,6	126,8
	9	406,5	88,3	391,6	100,2	376,9	112,0	361,8	123,9	356,8	127,9
AGR ST 110.2	4	383,8	90,7	368,0	102,7	352,4	114,2	336,9	126,1	331,7	130,1
	5	392,9	91,4	377,1	103,4	361,5	115,2	346,0	127,2	340,8	131,2
	6	402,1	92,1	386,3	104,1	370,6	116,2	355,1	128,3	349,9	132,3
	7	411,6	92,5	395,8	104,7	380,2	117,0	364,6	129,3	359,3	133,3
	8	421,1	93,0	405,3	105,5	389,7	117,8	374,1	130,2	368,8	134,3
	9	430,1	93,5	414,3	106,1	398,8	118,6	382,8	131,2	377,6	135,4

- Notes:** (1) Ratings based on: evaporator fouling factor of 0,044 m² °C/kW, evaporator temperature drop of 5°C and sea level altitude.
(2) Interpolation is allowed, extrapolation is not permitted. Please contact McQuay for performance outside the standard ratings.
(3) The power input is for compressors only.

Standard ratings AG ST 030.2÷075.2 (HFC 407C)

Unit size	Leaving chilled water temp.- °C	AMBIENT TEMPERATURE - ° C									
		25		30		35		40		42	
		Cooling capacity kW	Power Input kW	Cooling capacity kW	Power Input kW	Cooling capacity kW	Power Input kW	Cooling capacity kW	Power Input kW	Cooling capacity kW	Power Input kW
AGZ ST 030.2	6	101,1	22,0	97,1	24,9	93,2	27,8	89,3	30,7	88,0	31,7
	7	103,5	21,9	99,5	24,9	95,6	27,8	91,7	30,7	90,4	31,6
	8	105,9	21,9	101,9	24,8	98,0	27,7	94,1	30,6	92,8	31,6
	9	108,2	21,9	104,2	24,8	100,3	27,6	96,3	30,5	95,0	31,5
AGZ ST 035.2	6	113,9	26,5	109,4	30,1	105,0	33,6	100,6	37,1	99,1	38,3
	7	116,6	26,5	112,1	30,0	107,7	33,5	103,3	37,0	101,8	38,2
	8	119,3	26,4	114,8	29,9	110,4	33,5	106,0	37,0	104,5	38,1
	9	121,9	26,4	117,4	29,9	113,0	33,4	108,5	36,9	107,0	38,0
AGZ ST 040.2	6	128,1	29,8	123,0	33,8	118,0	37,8	113,1	41,7	111,4	43,0
	7	131,1	29,8	126,1	33,7	121,1	37,7	116,1	41,6	114,5	42,9
	8	134,1	29,7	129,1	33,7	124,1	37,6	119,1	41,5	117,5	42,9
	9	137,0	29,7	132,0	33,6	127,0	37,5	121,9	41,5	120,3	42,8
AGZ ST 045.2	6	141,3	34,5	135,7	39,1	130,3	43,7	124,8	48,3	123,0	49,8
	7	144,6	34,5	139,1	39,0	133,6	43,6	128,1	48,2	126,3	49,7
	8	148,0	34,4	142,4	39,0	136,9	43,5	131,5	48,1	129,6	49,6
	9	151,2	34,3	145,6	38,9	140,2	43,4	134,5	48,0	132,7	49,5
AGR ST 050.2	6	172,8	45,6	166,0	51,5	159,3	57,5	152,7	63,5	150,4	65,5
	7	176,9	45,8	170,1	51,8	163,4	57,9	156,7	64,0	154,5	66,0
	8	181,0	46,0	174,2	52,2	167,5	58,3	160,8	64,4	158,6	66,5
	9	184,9	46,3	178,1	52,5	171,4	58,7	164,6	65,0	162,3	67,0
AGR ST 055.2	6	191,2	49,8	183,7	56,3	176,2	62,8	168,9	69,3	166,4	71,5
	7	195,7	50,0	188,2	56,6	180,8	63,2	173,3	69,9	170,9	72,1
	8	200,2	50,3	192,7	57,0	185,3	63,7	177,9	70,3	175,4	72,6
	9	204,5	50,5	197,0	57,3	189,6	64,1	182,0	70,9	179,5	73,2
AGR ST 060.2	6	209,5	54,0	201,3	61,0	193,2	68,1	185,1	75,1	182,3	77,5
	7	214,5	54,2	206,3	61,4	198,1	68,5	190,0	75,7	187,3	78,1
	8	219,5	54,5	211,2	61,8	203,1	69,0	194,9	76,2	192,2	78,7
	9	224,2	54,7	215,9	62,1	207,8	69,5	199,5	76,9	196,8	79,3
AGR ST 065.2	6	237,6	56,7	228,3	64,0	219,0	71,5	209,9	78,9	206,8	81,4
	7	243,2	56,9	233,9	64,4	224,7	72,0	215,4	79,5	212,4	82,0
	8	248,9	57,2	239,5	64,9	230,3	72,5	221,1	80,1	218,0	82,6
	9	254,2	57,5	244,9	65,2	235,7	73,0	226,2	80,7	223,2	83,3
AGR ST 070.2	6	257,5	62,4	247,4	70,5	237,4	78,7	227,4	86,9	224,1	89,7
	7	263,6	62,7	253,5	71,0	243,5	79,3	233,5	87,6	230,1	90,3
	8	269,7	63,0	259,6	71,5	249,6	79,8	239,6	88,2	236,2	91,0
	9	275,5	63,3	265,4	71,9	255,4	80,4	245,2	88,9	241,8	91,8
AGR ST 075.2	6	273,1	63,5	262,4	71,8	251,7	80,1	241,2	88,4	237,7	91,2
	7	279,5	63,7	268,8	72,2	258,2	80,6	247,6	89,1	244,1	91,9
	8	286,0	64,1	275,3	72,7	264,7	81,2	254,1	89,7	250,5	92,6
	9	292,2	64,4	281,4	73,1	270,9	81,8	260,0	90,5	256,5	93,3

Standard ratings AG ST 080.2÷110.2 (HFC 407C)

Unit size	Leaving chilled water temp.-°C	AMBIENT TEMPERATURE - ° C									
		25		30		35		40		42	
		Cooling capacity kW	Power Input kW	Cooling capacity kW	Power Input kW	Cooling capacity kW	Power Input kW	Cooling capacity kW	Power Input kW	Cooling capacity kW	Power Input kW
AGR ST 080.2	6	286,3	68,2	275,1	77,1	263,9	86,0	252,9	95,0	249,2	98,0
	7	293,1	68,5	281,8	77,6	270,7	86,6	259,6	95,7	255,9	98,7
	8	299,9	68,9	288,6	78,1	277,5	87,2	266,4	96,4	262,7	99,5
	9	306,3	69,2	295,1	78,6	284,0	87,8	272,6	97,2	268,9	100,3
AGR ST 085.2	6	315,2	74,0	302,8	83,6	290,5	93,4	278,4	103,1	274,3	106,3
	7	322,6	74,3	310,2	84,1	298,0	94,0	285,8	103,9	281,7	107,1
	8	330,1	74,7	317,7	84,7	305,5	94,6	293,2	104,6	289,1	107,9
	9	337,2	75,1	324,8	85,2	312,6	95,3	300,1	105,4	296,0	108,8
AGR ST 090.2	6	330,0	76,4	317,0	86,3	304,2	96,4	291,5	106,4	287,2	109,7
	7	337,8	76,7	324,8	86,9	312,0	97,0	299,2	107,2	294,9	110,6
	8	345,6	77,1	332,6	87,4	319,8	97,7	307,0	107,9	302,7	111,4
	9	353,0	77,5	340,1	88,0	327,3	98,4	314,2	108,8	309,9	112,3
AGR ST 095.2	6	347,1	81,9	333,5	92,5	320,0	103,3	306,6	114,0	302,1	117,6
	7	355,3	82,2	341,7	93,1	328,2	104,0	314,7	114,9	310,2	118,5
	8	363,5	82,7	349,9	93,7	336,4	104,7	322,9	115,7	318,4	119,4
	9	371,4	83,1	357,7	94,3	344,3	105,4	330,5	116,7	326,0	120,4
AGR ST 100.2	6	368,6	87,0	354,1	98,3	339,8	109,7	325,5	121,2	320,7	125,0
	7	377,3	87,3	362,8	98,9	348,5	110,5	334,2	122,1	329,4	125,9
	8	386,0	87,8	371,5	99,6	357,2	111,3	342,9	122,9	338,1	126,8
	9	394,3	88,3	379,8	100,2	365,6	112,0	350,9	123,9	346,1	127,9
AGR ST 110.2	6	390,0	92,1	374,7	104,1	359,5	116,2	344,5	128,3	339,4	132,3
	7	399,2	92,5	383,9	104,7	368,8	117,0	353,6	129,3	348,6	133,3
	8	408,5	93,0	393,1	105,5	378,0	117,8	362,8	130,2	357,8	134,3
	9	417,2	93,5	401,9	106,1	386,9	118,6	371,3	131,2	366,3	135,4

- Notes:** (1) Ratings based on: evaporator fouling factor of 0,044 m² °C/kW, evaporator temperature drop of 5°C and sea level altitude.
(2) Interpolation is allowed, extrapolation is not permitted. Please contact McQuay for performance outside the standard ratings.
(3) The power input is for compressors only.

Standard ratings AG ST 030.2÷075.2 (HFC 134a)

Unit size	Leaving chilled water temp.- °C	AMBIENT TEMPERATURE - ° C									
		25		30		35		40		42	
		Cooling capacity kW	Power Input kW	Cooling capacity kW	Power Input kW	Cooling capacity kW	Power Input kW	Cooling capacity kW	Power Input kW	Cooling capacity kW	Power Input kW
AGZ ST 030.2	4	67,7	13,6	64,9	15,4	62,1	17,2	59,4	19,0	58,5	19,6
	5	69,3	13,5	66,5	15,3	63,7	17,1	61,0	18,9	60,1	19,5
	6	70,9	13,5	68,1	15,3	65,3	17,1	62,6	18,9	61,7	19,5
	7	72,6	13,5	69,8	15,3	67,0	17,1	64,3	18,9	63,4	19,5
	8	74,2	13,5	71,4	15,3	68,7	17,0	65,9	18,8	65,0	19,4
9	75,8	13,4	73,0	15,2	70,3	17,0	67,5	18,8	66,6	19,4	
AGZ ST 035.2	4	76,2	16,4	73,1	18,6	70,0	20,7	66,9	22,9	65,9	23,6
	5	78,1	16,4	74,9	18,5	71,8	20,7	68,7	22,9	67,7	23,6
	6	79,9	16,3	76,7	18,5	73,6	20,7	70,5	22,8	69,5	23,5
	7	81,8	16,3	78,6	18,4	75,5	20,6	72,4	22,8	71,4	23,5
	8	83,7	16,3	80,5	18,4	77,4	20,6	74,3	22,7	73,3	23,4
9	85,4	16,2	82,3	18,4	79,2	20,5	76,0	22,7	75,0	23,4	
AGZ ST 040.2	4	85,7	18,4	82,2	20,9	78,7	23,3	75,2	25,8	74,1	26,6
	5	87,7	18,4	84,2	20,8	80,7	23,3	77,3	25,7	76,1	26,5
	6	89,8	18,3	86,2	20,8	82,8	23,2	79,3	25,6	78,1	26,5
	7	91,9	18,3	88,4	20,7	84,9	23,2	81,4	25,6	80,2	26,4
	8	94,0	18,3	90,5	20,7	87,0	23,1	83,5	25,5	82,4	26,3
9	96,0	18,2	92,5	20,7	89,0	23,1	85,5	25,5	84,3	26,3	
AGZ ST 045.2	4	94,6	21,3	90,7	24,1	86,8	27,0	83,0	29,8	81,7	30,7
	5	96,8	21,3	92,9	24,1	89,1	26,9	85,2	29,7	84,0	30,7
	6	99,1	21,2	95,2	24,0	91,3	26,9	87,5	29,7	86,2	30,6
	7	101,4	21,2	97,5	24,0	93,7	26,8	89,8	29,6	88,5	30,6
	8	103,7	21,1	99,9	24,0	96,0	26,8	92,2	29,6	90,9	30,5
9	106,0	21,1	102,1	23,9	98,3	26,7	94,3	29,5	93,0	30,4	
AGR ST 050.2	4	115,7	27,6	110,9	31,3	106,2	34,8	101,5	38,4	100,0	39,6
	5	118,4	27,8	113,6	31,5	108,9	35,1	104,3	38,7	102,7	39,9
	6	121,2	28,0	116,4	31,7	111,7	35,4	107,0	39,1	105,4	40,3
	7	124,0	28,2	119,3	31,9	114,6	35,6	109,9	39,4	108,3	40,6
	8	126,9	28,3	122,1	32,1	117,4	35,9	112,7	39,6	111,2	40,9
9	129,6	28,5	124,9	32,3	120,2	36,1	115,4	40,0	113,8	41,2	
AGR ST 055.2	4	127,9	30,1	122,7	34,1	117,5	38,0	112,3	41,9	110,6	43,2
	5	131,0	30,4	125,7	34,4	120,5	38,3	115,3	42,3	113,6	43,6
	6	134,0	30,6	128,8	34,6	123,6	38,6	118,4	42,6	116,6	44,0
	7	137,2	30,7	131,9	34,8	126,7	38,9	121,5	43,0	119,8	44,3
	8	140,4	30,9	135,1	35,0	129,9	39,2	124,7	43,3	122,9	44,6
9	143,4	31,1	138,1	35,3	132,9	39,4	127,6	43,6	125,9	45,0	
AGR ST 060.2	4	140,2	32,7	134,4	37,0	128,7	41,2	123,1	45,4	121,2	46,9
	5	143,5	32,9	137,8	37,2	132,1	41,5	126,4	45,8	124,5	47,3
	6	146,9	33,2	141,1	37,5	135,4	41,9	129,7	46,2	127,8	47,7
	7	150,4	33,3	144,6	37,7	138,9	42,2	133,2	46,6	131,3	48,0
	8	153,8	33,5	148,1	38,0	142,4	42,4	136,7	46,9	134,8	48,4
9	157,1	33,7	151,4	38,2	145,7	42,7	139,9	47,3	138,0	48,8	
AGR ST 065.2	4	159,0	34,3	152,5	38,8	146,0	43,2	139,6	47,7	137,4	49,2
	5	162,8	34,6	156,2	39,1	149,8	43,6	143,3	48,1	141,2	49,6
	6	166,6	34,8	160,0	39,4	153,6	44,0	147,1	48,5	145,0	50,0
	7	170,5	35,0	164,0	39,6	157,5	44,3	151,0	48,9	148,9	50,4
	8	174,5	35,2	167,9	39,9	161,4	44,6	155,0	49,2	152,8	50,8
9	178,2	35,4	171,7	40,1	165,2	44,9	158,6	49,6	156,4	51,2	
AGR ST 070.2	4	172,3	37,8	165,2	42,8	158,2	47,6	151,2	52,6	148,9	54,2
	5	176,4	38,1	169,3	43,1	162,3	48,0	155,3	53,0	153,0	54,7
	6	180,5	38,4	173,4	43,4	166,4	48,4	159,4	53,5	157,1	55,1
	7	184,8	38,5	177,7	43,6	170,7	48,8	163,7	53,9	161,3	55,6
	8	189,1	38,8	182,0	43,9	175,0	49,1	167,9	54,2	165,6	56,0
9	193,1	38,9	186,0	44,2	179,1	49,4	171,9	54,7	169,5	56,4	
AGR ST 075.2	4	182,7	38,4	175,2	43,5	167,8	48,4	160,4	53,5	157,9	55,1
	5	187,1	38,7	179,6	43,8	172,1	48,8	164,7	53,9	162,3	55,6
	6	191,4	39,0	183,9	44,1	176,5	49,3	169,1	54,4	166,6	56,1
	7	196,0	39,2	188,4	44,4	181,0	49,6	173,6	54,8	171,1	56,5
	8	200,5	39,4	193,0	44,7	185,5	49,9	178,1	55,2	175,6	56,9
9	204,8	39,6	197,3	45,0	189,9	50,3	182,3	55,6	179,8	57,4	

Standard ratings AG ST 080.2÷110.2 (HFC 134a)

Unit size	Leaving chilled water temp.-°C	AMBIENT TEMPERATURE - °C									
		25		30		35		40		42	
		Cooling capacity kW	Power Input kW	Cooling capacity kW	Power Input kW	Cooling capacity kW	Power Input kW	Cooling capacity kW	Power Input kW	Cooling capacity kW	Power Input kW
AGR ST 080.2	4	191,6	41,3	183,7	46,8	175,9	52,0	168,2	57,4	165,6	59,2
	5	196,2	41,6	188,3	47,1	180,5	52,5	172,7	57,9	170,1	59,8
	6	200,7	42,0	192,8	47,4	185,0	52,9	177,3	58,4	174,7	60,3
	7	205,5	42,1	197,6	47,7	189,8	53,3	182,0	58,9	179,4	60,7
	8	210,2	42,4	202,3	48,0	194,5	53,7	186,7	59,3	184,1	61,2
	9	214,7	42,6	206,8	48,3	199,1	54,0	191,1	59,8	188,5	61,7
AGR ST 085.2	4	210,9	44,8	202,2	50,7	193,6	56,4	185,1	62,3	182,3	64,3
	5	215,9	45,2	207,2	51,1	198,7	56,9	190,1	62,9	187,3	64,8
	6	220,9	45,5	212,3	51,4	203,7	57,4	195,1	63,4	192,3	65,4
	7	226,2	45,7	217,5	51,8	208,9	57,8	200,3	63,9	197,5	65,9
	8	231,4	46,0	222,7	52,1	214,1	58,2	205,6	64,3	202,7	66,4
	9	236,4	46,2	227,7	52,4	219,2	58,6	210,4	64,8	207,5	66,9
AGR ST 090.2	4	220,8	46,2	211,7	52,4	202,7	58,3	193,8	64,3	190,8	66,3
	5	226,1	46,6	217,0	52,7	208,0	58,8	199,1	64,9	196,1	66,9
	6	231,3	47,0	222,2	53,1	213,3	59,3	204,3	65,4	201,3	67,5
	7	236,8	47,2	227,7	53,4	218,7	59,7	209,7	65,9	206,8	68,0
	8	242,3	47,4	233,2	53,8	224,2	60,1	215,2	66,4	212,2	68,5
	9	247,5	47,7	238,4	54,1	229,5	60,5	220,3	66,9	217,3	69,1
AGR ST 095.2	4	232,3	49,6	222,7	56,1	213,3	62,4	203,9	69,0	200,7	71,1
	5	237,8	50,0	228,2	56,5	218,8	63,0	209,4	69,5	206,3	71,7
	6	243,3	50,4	233,8	56,9	224,3	63,5	214,9	70,1	211,8	72,3
	7	249,1	50,6	239,5	57,3	230,1	64,0	220,6	70,7	217,5	72,9
	8	254,9	50,8	245,3	57,6	235,8	64,4	226,4	71,2	223,2	73,4
	9	260,3	51,1	250,8	58,0	241,4	64,8	231,7	71,7	228,5	74,0
AGR ST 100.2	4	246,6	52,7	236,5	59,6	226,4	66,3	216,5	73,3	213,1	75,6
	5	252,5	53,1	242,3	60,1	232,3	66,9	222,3	73,9	219,0	76,2
	6	258,4	53,5	248,2	60,5	238,2	67,5	228,2	74,5	224,8	76,8
	7	264,5	53,7	254,3	60,8	244,3	68,0	234,3	75,1	230,9	77,4
	8	270,6	54,0	260,4	61,3	250,4	68,4	240,4	75,6	237,0	78,0
	9	276,4	54,3	266,3	61,6	256,3	68,9	246,0	76,2	242,6	78,7
AGR ST 110.2	4	261,0	55,8	250,2	63,1	239,6	70,2	229,1	77,6	225,5	80,0
	5	267,2	56,2	256,4	63,6	245,8	70,9	235,3	78,2	231,7	80,7
	6	273,4	56,7	262,7	64,0	252,0	71,5	241,5	78,9	237,9	81,4
	7	279,9	56,9	269,1	64,4	258,5	72,0	247,9	79,5	244,4	82,0
	8	286,3	57,2	275,6	64,9	265,0	72,5	254,4	80,0	250,8	82,6
	9	292,5	57,5	281,7	65,2	271,2	72,9	260,3	80,7	256,8	83,3

- Notes:** (1) Ratings based on: evaporator fouling factor of 0,044 m² °C/kW, evaporator temperature drop of 5°C and sea level altitude.
(2) Interpolation is allowed, extrapolation is not permitted. Please contact McQuay for performance outside the standard ratings.
(3) The power input is for compressors only.

Physical data AG LN 030.2÷075.2

"AGZ LN" unit size		030.2	035.2	040.2	045.2
Cooling capacity (HCFC 22) (1)	kW	94,6	106,6	119,8	132,2
Power input (HCFC 22) (1)	kW	28,5	34,5	38,8	44,9
Cooling capacity (HFC 407C) (1)	kW	91,8	103,4	116,2	128,3
Power input (HFC 407C) (1)	kW	28,5	34,5	38,8	44,9
Cooling capacity (HFC 134a) (1)	kW	64,4	72,5	81,5	90,0
Power input (HFC 134a) (1)	kW	17,6	21,2	23,8	27,6
Compressor type/No. of compressor		scroll/4	scroll/4	scroll/4	scroll/4
No. of circuit		2	2	2	2
No. of reduction steps	Standard	4	4	4	4
Condenser fans					
No. of fans/Fan motor	kW	2/1,0	2/1,0	2/2,1	2/2,1
Total air flow	m ³ /s	6	6	8	8
Evaporator					
No. of evaporator		1	1	1	1
Max operating pressure	bar	16	16	16	16
Water volume	l	40	40	40	40
Condenser coil					
No. of coil		2	2	2	2
Weight					
Operating weight	kg	1520	1520	1520	1520
Shipping weight	kg	1480	1480	1480	1480

"AGR LN" unit size		050.2	055.2	057.2	060.2	062.2	065.2	070.2	075.2
Cooling capacity (HCFC 22)	kW	161,7 (1)	178,9	185,2 (1)	196,0	202,9 (1)	222,3 (1)	240,9 (1)	255,5 (1)
Power input (HCFC 22)	kW	59,6 (1)	65,1	63,8 (1)	70,6	69,2 (1)	74,1 (1)	81,6 (1)	83,0 (1)
Cooling capacity (HFC 407C)	kW	156,9 (1)	173,5	179,6 (1)	190,2	196,9 (1)	215,7 (1)	233,7 (1)	247,9 (1)
Power input (HFC 407C) (1)	kW	59,6 (1)	65,1	63,8 (1)	70,6	69,2 (1)	74,1 (1)	81,6 (1)	83,1 (1)
Cooling capacity (HFC 134a)	kW	110,0 (1)	121,7 (1)	-	133,4 (1)	-	151,2 (1)	164,0 (1)	174,0 (1)
Power input (HFC 134a)	kW	36,7 (1)	40,0 (1)	-	43,4 (1)	-	45,6 (1)	50,2 (1)	51,0 (1)
Compressor type/No. of compressor		recip/2	recip/2	recip/2	recip/2	recip/2	recip/2	recip/2	recip/2
No. of circuit		2	2	2	2	2	2	2	2
No. of reduction steps	Standard	4	4	4	4	4	4	4	4
Condenser fans									
No. of fans/Fan motor	kW	2/1,65	2/1,7	4/2,1	4/2,1	4/2,1	4/2,1	4/2,1	4/2,1
Total air flow	m ³ /s	9,63	11,25	16,2	11,25	16,2	16,2	16,2	16,2
Evaporator									
No. of evaporator		1	1	1	1	1	1	1	1
Max operating pressure	bar	16	16	16	16	16	16	16	16
Water volume	l	60	60	60	60	60	100	100	90
Condenser coil									
No. of coil		2	2	4	2	4	4	4	4
Weight									
Operating weight	kg	1590	1670	2310	1700	2310	2310	2390	2400
Shipping weight	kg	1530	1610	2245	1640	2245	2245	2290	2310

- Note:** (1) Nominal cooling capacity are based on: 12/7 °C entering/leaving evaporator water temperature; 35°C ambient temperature.
(2) Nominal cooling capacity are based on: 12/7 °C entering/leaving evaporator water temperature; 32°C ambient temperature.

Physical data AG LN 080.2÷112.2

"AGR LN" unit size		080.2	085.2	090.2	095.2	100.2	102.2	110.2	112.2
Cooling capacity (HCFC 22)	kW	267,9 (1)	294,9 (1)	308,8 (1)	324,8 (1)	344,8 (2)	357,0 (1)	365,0 (2)	377,7 (1)
Power input (HCFC 22)	kW	89,2 (1)	96,8 (1)	99,9 (1)	107,1 (1)	113,8 (2)	111,5 (1)	120,5 (2)	118,1 (1)
Cooling capacity (HFC 407C)	kW	259,9 (1)	286,1 (1)	299,5 (1)	315,1 (1)	334,5 (2)	346,3 (1)	354,0 (2)	366,4 (1)
Power input (HFC 407C) (1)	kW	89,2 (1)	96,8 (1)	99,9 (1)	107,1 (1)	113,8 (2)	111,5 (1)	120,5 (2)	118,1 (1)
Cooling capacity (HFC 134a)	kW	182,2 (1)	200,6 (1)	210,0 (1)	221,0 (1)	234,5 (1)	-	248,2 (1)	-
Power input (HFC 134a)	kW	55,0 (1)	60,0 (1)	61,5 (1)	66,0 (1)	70,0 (1)	-	74,1 (1)	-
Compressor type/No. of compressor		recip/2	recip/2	recip/2	recip/2	recip/2	recip/2	recip/2	recip/2
No. of circuit		2	2	2	2	2	2	2	2
No. of reduction steps	Standard	4	4	4	4	4	4	4	4
Condenser fans									
No. of fans/Fan motor	kW	4/2,1	4/2,1	4/2,1	4/1,7	4/1,7	6/2,1	4/1,7	6/2,1
Total air flow	m3/s	17,3	18,3	18,3	24,6	23,6	24	22,5	24
Evaporator									
No. of evaporator		1	1	1	1	1	1	1	1
Max operating pressure	bar	16	16	16	10,5	10,5	16	10,5	16
Water volume	l	90	90	90	90	90	90	90	90
Condenser coil									
No. of coil		4	4	4	4	4	4	4	4
Weight									
Operating weight	kg	2510	2510	2510	3110	3160	3500	3200	3500
Shipping weight	kg	2420	2420	2420	3020	3070	3415	3110	3415

Note: (1) Nominal cooling capacity are based on: 12/7 °C entering/leaving evaporator water temperature; 35°C ambient temperature.
(2) Nominal cooling capacity are based on: 12/7 °C entering/leaving evaporator water temperature; 32°C ambient temperature.

Sound pressure level AG LN 030.2÷112.2

AG LN unit size	Sound pressure level at 1 m from the unit in free field (ref. 2×10^{-5})								
	63 Hz	125 Hz	250 Hz	500 Hz	1000 Hz	2000 Hz	4000 Hz	8000 Hz	dBA
AGZ LN 030.2	69,0	68,5	65,5	65,0	64,5	59,0	51,5	44,0	68,0
AGZ LN 035.2	69,0	68,5	65,5	65,0	64,5	59,0	51,5	44,0	68,0
AGZ LN 040.2	69,0	68,5	65,5	65,0	64,5	59,0	51,5	44,0	68,0
AGZ LN 045.2	69,0	68,5	65,5	65,0	64,5	59,0	51,5	44,0	68,0
AGR LN 050.2	71,0	71,0	70,0	68,0	66,0	63,0	59,0	54,0	71,0
AGR LN 055.2	71,0	71,0	70,0	68,0	66,0	63,0	59,0	54,0	71,0
AGR LN 057.2	71,0	71,0	71,0	68,5	66,0	62,5	58,0	53,0	71,0
AGR LN 060.2	71,0	71,0	71,0	68,5	66,0	62,5	58,0	53,0	71,0
AGR LN 062.2	71,0	71,0	71,0	68,5	66,0	62,5	58,0	53,0	71,0
AGR LN 065.2	71,0	71,0	72,0	69,5	67,0	63,5	59,0	53,0	72,0
AGR LN 070.2	71,0	71,0	72,0	69,5	67,0	63,5	59,0	53,0	72,0
AGR LN 075.2	71,0	71,0	72,0	69,5	67,0	63,5	59,0	53,0	72,0
AGR LN 080.2	71,0	71,0	72,0	69,5	67,0	63,5	59,0	53,0	72,0
AGR LN 085.2	71,0	71,0	72,0	69,5	67,0	63,5	59,0	53,0	72,0
AGR LN 090.2	71,0	71,0	72,0	69,5	67,0	63,5	59,0	53,0	72,0
AGR LN 095.2	75,0	76,0	75,5	72,5	69,0	65,5	60,5	54,5	74,5
AGR LN 100.2	75,0	76,0	75,5	72,5	69,0	65,5	60,5	54,5	74,5
AGR LN 102.2	75,0	76,0	75,5	72,5	69,0	65,5	60,5	54,5	74,5
AGR LN 110.2	75,0	76,0	75,5	72,5	69,0	65,5	60,5	54,5	74,5
AGR LN 112.2	75,0	76,0	75,5	72,5	69,0	65,5	60,5	54,5	74,5

Note: Average sound pressure level rated in accordance to ISO 3744, free field conditions.
12/7 °C entering/leaving evaporator water temperature; 35 °C ambient temperature.

Electrical data AG LN (HCFC 22 - HFC 407C)

"AGZ LN" (HCFC 22 and HFC 407C)		030.2	035.2	040.2	045.2
Standard voltage		400 V - 3f - 50 Hz (1)			
Total compr. absorbed current nom. cond. (2)	A	53,1	63,5	71,5	82
Max absorbed current each compressor (3)	A	37+37	42,4+42,4	47,2+47,2	52+52
Max inrush current bigger compressor AL (4)	A	116	128	159	159
Max inrush current bigger compressor PW (5)	A	NA	NA	NA	NA
Total fans absorbed current nom. cond. (2)	A	5	5	8,4	8,4
Total unit absorbed current nom. cond. (2)	A	58,1	68,5	79,9	90,4
Max unit absorbed current (3)	A	79	89,8	102,8	112,4
Max unit inrush current AL (4)	A	175,1	195,2	233,4	244
Max unit inrush current PW (5)	A	NA	NA	NA	NA

"AGR LN" (HCFC 22 and HFC 407C)		050.2	055.2	057.2	060.2	062.2	065.2	070.2	075.2
Standard voltage		400 V - 3f - 50 Hz (1)							
Total compr. absorbed current nom. cond. (2)	A	106	111	111	116	116	132,8	155	157
Max absorbed current each compressor (3)	A	65,5+65,5	65,5+70,5	65,5+70,5	70,5+70,5	70,5+70,5	70,5+92	92+92	92+92
Max inrush current bigger compressor AL (4)	A	NA	NA	NA	NA	NA	NA	NA	NA
Max inrush current bigger compressor PW (5)	A	202	247	247	247	247	286	286	286
Total fans absorbed current nom. cond. (2)	A	7	8	16,8	8	16,8	14	14	14
Total unit absorbed current nom. cond. (2)	A	113	119	127,8	124	132,8	146,8	169	171
Max unit absorbed current (3)	A	138	144	152,8	149	157,8	176,5	198	198
Max unit inrush current AL (4)	A	NA	NA	NA	NA	NA	NA	NA	NA
Max unit inrush current PW (5)	A	274,5	320,5	320,5	325,5	325,5	370,5	392	392

"AGR LN" (HCFC 22 and HFC 407C)		080.2	085.2	090.2	095.2	100.2	102.2	110.2	112.2
Standard voltage		400 V - 3f - 50 Hz (1)							
Total compr. absorbed current nom. cond. (2)	A	169,1	183,4	188	186,3	198	198	209,5	209,5
Max absorbed current each compressor (3)	A	92+112	112+112	112+112	98+98	98+114	98+114	114+114	114+114
Max inrush current bigger compressor AL (4)	A	NA	NA	NA	NA	NA	NA	NA	NA
Max inrush current bigger compressor PW (5)	A	347	347	347	345	537	537	537	537
Total fans absorbed current nom. cond. (2)	A	14	14	14	16	16	25,2	16	25,2
Total unit absorbed current nom. cond. (2)	A	183,1	197,4	202	202,3	214	223,2	225,5	234,7
Max unit absorbed current (3)	A	218	238	238	212	228	237,2	244	253,2
Max unit inrush current AL (4)	A	NA	NA	NA	NA	NA	NA	NA	NA
Max unit inrush current PW (5)	A	453	473	473	459	651	651	667	667

Notes: (1) Allowed voltage tolerance $\pm 10\%$.

(2) Absorbed current nominal condition: 12/7°C entering/leaving evaporator water temperature; 35°C ambient temperature (32°C for 055.2 LN, 060.2 LN, 100.2 LN, 110.2 LN)

(3) Absorbed current max. condition:.

(4) AL = Accross the line starting, only for bigger compressor.

(5) PW = Part winding starting, only for bigger compressor.

Electrical data AG LN (HFC 134a)

"AGZ LN" (HFC 134a)		030.2	035.2	040.2	045.2
Standard voltage		400 V - 3f - 50 Hz (1)			
Total compr. absorbed current nom. cond. (2)	A	41,6	48,6	54,7	60,9
Max absorbed current each compressor (3)	A	18,5*4	21,2*4	23,6x2+23,6x2	26*4
Max inrush current bigger compressor AL (4)	A	116	128	159	159
Max inrush current bigger compressor PW (5)	A	NA	NA	NA	NA
Total fans absorbed current nom. cond. (2)	A	5	5	8,4	8,4
Total unit absorbed current nom. cond. (2)	A	46,6	53,6	63,1	69,3
Max unit absorbed current (3)	A	79	89,8	102,8	112,4
Max unit inrush current AL (4)	A	175,1	195,2	227,4	244
Max unit inrush current PW (5)	A	NA	NA	NA	NA

"AGR LN" (HFC 134a)		050.2	055.2	057.2	060.2	062.2	065.2	070.2	075.2
Standard voltage		400 V - 3f - 50 Hz (1)							
Total compr. absorbed current nom. cond. (2)	A	63,4	69,3	67,3	75,1	73	82,4	89,7	90,6
Max absorbed current each compressor (3)	A	41,7*2	41,7+51	41,7+51	51*2	51*2	51+63	63+63	63+63
Max inrush current bigger compressor AL (4)	A	NA	NA	NA	NA	NA	NA	NA	NA
Max inrush current bigger compressor PW (5)	A	114	155	155	155	155	247	247	247
Total fans absorbed current nom. cond. (2)	A	7	8	16,8	8	16,8	14	14	14
Total unit absorbed current nom. cond. (2)	A	70,4	77,3	84,1	83,1	89,8	96,4	103,7	104,6
Max unit absorbed current (3)	A	90,4	100,7	109,5	110	118,8	128	140	140
Max unit inrush current AL (4)	A	NA	NA	NA	NA	NA	NA	NA	NA
Max unit inrush current PW (5)	A	162,7	204,7	204,7	214	214	312	324	324

"AGR LN" (HFC 134a)		080.2	085.2	090.2	095.2	100.2	102.2	110.2	112.2
Standard voltage		400 V - 3f - 50 Hz (1)							
Total compr. absorbed current nom. cond. (2)	A	107,5	125,3	126,6	113,2	120,2	116,8	127,2	123,6
Max absorbed current each compressor (3)	A	63+77	77+77	77+77	72+72	72+72	72+72	72+72	72+72
Max inrush current bigger compressor AL (4)	A	NA	NA	NA	NA	NA	NA	NA	NA
Max inrush current bigger compressor PW (5)	A	315	315	315	345	345	345	345	345
Total fans absorbed current nom. cond. (2)	A	14	14	14	16	16	25,2	16	25,2
Total unit absorbed current nom. cond. (2)	A	121,5	139,3	140,6	129,2	136,2	142,0	143,2	148,8
Max unit absorbed current (3)	A	154	168	168	160	160	169,2	160	169,2
Max unit inrush current AL (4)	A	NA	NA	NA	NA	NA	NA	NA	NA
Max unit inrush current PW (5)	A	392	406	406	433	433	433	433	433

Notes: (1) Allowed voltage tolerance $\pm 10\%$.

(2) Absorbed current nominal condition: 12/7°C entering/leaving evaporator water temperature; 35°C ambient temperature.

(3) Absorbed current max. condition:

(4) AL = Accross the line starting, only for bigger compressor.

(5) PW = Part winding starting, only for bigger compressor.

Standard ratings AG LN 030.2÷065.2 (HCFC 22)

Unit size	Taving chilled water temp.-°C	AMBIENT TEMPERATURE - ° C											
		25		30		32		35		38(*)		42	
		Cooling capacity kW	Power Input kW	Cooling capacity kW	Power Input kW	Cooling capacity kW	Power Input kW	Cooling capacity kW	Power Input kW	Cooling capacity kW	Power Input kW	Cooling capacity kW	Power Input kW
AGZ LN 030.2	4	95,5	22,7	91,6	25,7	90,0	27,0	87,7	28,8	85,4	30,6	86,0	31,8
	5	97,8	22,7	93,9	25,7	92,3	26,9	90,0	28,7	87,7	30,5	88,4	31,8
	6	100,1	22,6	96,1	25,6	94,6	26,8	92,3	28,6	89,9	30,4	90,7	31,7
	7	102,4	22,6	98,5	25,6	97,0	26,8	94,6	28,6	92,3	30,4	93,2	31,6
	8	104,8	22,6	100,9	25,5	99,3	26,7	97,0	28,5	94,7	30,3	95,6	31,6
	9	107,1	22,5	103,1	25,5	101,6	26,7	99,3	28,5	96,9	30,3	97,9	31,5
AGZ LN 035.2	4	107,6	27,5	103,2	31,1	101,4	32,6	98,8	34,7	96,2	36,9	96,9	38,4
	5	110,2	27,4	105,8	31,0	104,0	32,5	101,4	34,7	98,8	36,8	99,6	38,3
	6	112,7	27,3	108,3	31,0	106,6	32,4	103,9	34,6	101,3	36,8	102,2	38,3
	7	115,4	27,3	111,0	30,9	109,2	32,4	106,6	34,5	104,0	36,7	105,0	38,2
	8	118,1	27,2	113,7	30,8	111,9	32,3	109,3	34,5	106,7	36,6	107,8	38,1
	9	120,6	27,2	116,2	30,8	114,5	32,2	111,8	34,4	109,2	36,6	110,3	38,0
AGZ LN 040.2	4	121,0	30,9	116,0	35,0	114,0	36,6	111,1	39,0	108,1	41,5	108,9	43,2
	5	123,9	30,8	118,9	34,9	116,9	36,5	113,9	39,0	111,0	41,4	111,9	43,1
	6	126,7	30,7	121,8	34,8	119,8	36,4	116,8	38,9	113,9	41,3	114,9	43,0
	7	129,7	30,7	124,8	34,7	122,8	36,4	119,8	38,8	116,9	41,3	118,0	42,9
	8	132,7	30,6	127,8	34,7	125,8	36,3	122,8	38,7	119,9	41,2	121,1	42,9
	9	135,6	30,6	130,6	34,6	128,6	36,2	125,7	38,7	122,7	41,1	124,0	42,8
AGZ LN 045.2	4	133,5	35,7	128,0	40,4	125,8	42,3	122,6	45,2	119,3	48,0	120,2	50,0
	5	136,7	35,6	131,2	40,4	129,0	42,3	125,7	45,1	122,5	47,9	123,5	49,9
	6	139,8	35,6	134,3	40,3	132,2	42,2	128,9	45,0	125,7	47,8	126,8	49,8
	7	143,2	35,5	137,7	40,2	135,5	42,1	132,2	44,9	129,0	47,7	130,2	49,7
	8	146,5	35,4	141,0	40,1	138,8	42,0	135,5	44,8	132,3	47,6	133,6	49,6
	9	149,6	35,4	144,1	40,0	142,0	41,9	138,7	44,7	135,4	47,5	136,8	49,5
AGR LN 050.2	4	163,3	46,2	156,6	52,4	153,9	54,7	149,9	58,2	146,0	61,9	147,0	64,4
	5	167,2	46,6	160,4	52,7	157,8	55,1	153,8	58,7	149,8	62,4	151,0	65,0
	6	171,1	47,0	164,3	53,1	161,7	55,6	157,7	59,2	153,7	62,9	155,1	65,5
	7	175,1	47,2	168,4	53,4	165,7	55,9	161,7	59,7	157,8	63,4	159,3	66,0
	8	179,2	47,4	172,4	53,8	169,8	56,3	165,8	60,1	161,8	63,9	163,5	66,5
	9	183,0	47,7	176,3	54,1	173,6	56,6	169,7	60,5	165,6	64,3	167,3	67,0
AGR LN 055.2	4	180,6	50,5	173,2	57,2	170,2	59,7	-	-	-	-	-	-
	5	184,9	50,9	177,5	57,6	174,5	60,2	-	-	-	-	-	-
	6	189,2	51,3	181,8	58,0	178,8	60,6	-	-	-	-	-	-
	7	193,7	51,5	186,3	58,3	183,3	61,0	-	-	-	-	-	-
	8	198,2	51,8	190,7	58,7	187,8	61,5	-	-	-	-	-	-
	9	202,4	52,0	195,0	59,1	192,1	61,8	-	-	-	-	-	-
AGR LN 057,2	4	186,9	49,5	179,2	56,0	176,2	58,5	171,6	62,3	167,1	66,2	168,3	68,9
	5	191,4	49,9	183,7	56,4	180,7	59,0	176,1	62,9	171,6	66,8	172,9	69,5
	6	195,8	50,3	188,1	56,8	185,1	59,4	180,5	63,4	176,0	67,3	177,5	70,1
	7	200,5	50,4	192,8	57,1	189,8	59,8	185,2	63,8	180,6	67,8	182,3	70,6
	8	205,1	50,7	197,4	57,5	194,4	60,2	189,8	64,3	185,2	68,3	187,1	71,1
	9	209,5	51,0	201,8	57,9	198,8	60,6	194,3	64,7	189,6	68,8	191,6	71,7
AGR LN 060.2	4	197,9	54,7	189,8	62,0	186,6	64,7	-	-	-	-	-	-
	5	202,7	55,2	194,5	62,4	191,3	65,2	-	-	-	-	-	-
	6	207,4	55,6	199,2	62,8	196,0	65,7	-	-	-	-	-	-
	7	212,3	55,8	204,1	63,2	200,9	66,2	-	-	-	-	-	-
	8	217,2	56,1	209,0	63,6	205,8	66,6	-	-	-	-	-	-
	9	221,9	56,4	213,7	64,0	210,5	67,0	-	-	-	-	-	-
AGR LN 062,2	4	204,9	53,6	196,4	60,7	193,1	63,4	188,1	67,5	183,1	71,6	184,4	74,7
	5	209,8	54,0	201,3	61,1	198,0	63,9	193,0	68,1	188,0	72,4	189,5	75,3
	6	214,6	54,5	206,2	61,6	202,9	64,4	197,9	68,7	192,9	73,0	194,6	76,0
	7	219,7	54,7	211,3	61,9	207,9	64,8	202,9	69,2	197,9	73,5	199,8	76,5
	8	224,8	55,0	216,4	62,4	213,0	65,3	208,0	69,7	203,0	74,0	205,1	77,1
	9	229,6	55,3	221,2	62,7	217,9	65,7	212,9	70,1	207,8	74,6	210,0	77,7
AGR LN 065.2	4	224,5	57,4	215,2	65,0	211,6	68,0	206,1	72,4	200,6	76,9	202,1	80,0
	5	229,8	57,9	220,6	65,5	216,9	68,5	211,4	73,0	206,0	77,5	207,6	80,7
	6	235,2	58,4	225,9	66,0	222,3	69,0	216,8	73,6	211,3	78,2	213,2	81,4
	7	240,7	58,6	231,5	66,4	227,8	69,5	222,4	74,1	216,9	78,8	218,9	82,0
	8	246,3	58,9	237,0	66,8	233,4	69,9	227,9	74,6	222,4	79,3	224,7	82,6
	9	251,6	59,2	242,3	67,2	238,7	70,4	233,3	75,1	227,6	79,9	230,1	83,3

(*) For higher ambient temperature values units perform as ST version.

Standard ratings AG LN 070.2÷112.2 (HCFC 22)

Unit size	Leaving chilled water temp.-°C	AMBIENT TEMPERATURE - °C											
		25		30		32		35		38 (*)		42	
		Cooling capacity kW	Power Input kW	Cooling capacity kW	Power Input kW	Cooling capacity kW	Power Input kW	Cooling capacity kW	Power Input kW	Cooling capacity kW	Power Input kW	Cooling capacity kW	Power Input kW
AGR LN 070.2	4	243,3	63,3	233,2	71,7	229,3	74,9	223,3	79,7	217,4	84,7	219,0	88,2
	5	249,0	63,8	239,0	72,2	235,1	75,5	229,1	80,4	223,2	85,4	225,0	88,9
	6	254,8	64,3	244,8	72,7	240,9	76,0	234,9	81,1	229,0	86,2	231,0	89,7
	7	260,9	64,5	250,9	73,1	246,9	76,5	241,0	81,7	235,0	86,8	237,3	90,3
	8	266,9	64,9	256,9	73,6	252,9	77,0	247,0	82,2	241,1	87,4	243,5	91,0
AGR LN 075.2	4	258,0	64,4	247,4	72,9	243,2	76,2	236,9	81,1	230,6	86,2	232,3	89,7
	5	264,1	64,9	253,5	73,4	249,3	76,8	243,0	81,8	236,8	86,9	238,6	90,4
	6	270,3	65,4	259,6	73,9	255,4	77,3	249,2	82,5	242,9	87,6	245,0	91,2
	7	276,7	65,6	266,0	74,4	261,8	77,8	255,6	83,1	249,3	88,3	251,6	91,9
	8	283,1	66,0	272,4	74,9	268,2	78,4	261,9	83,6	255,7	88,9	258,3	92,6
AGR LN 080.2	4	270,5	69,2	259,4	78,3	255,0	81,8	248,4	87,1	241,8	92,6	243,5	96,3
	5	276,9	69,7	265,8	78,9	261,4	82,5	254,8	87,9	248,2	93,4	250,2	97,2
	6	283,4	70,3	272,2	79,4	267,8	83,1	261,2	88,6	254,7	94,2	256,9	98,0
	7	290,1	70,5	278,9	79,9	274,5	83,6	267,9	89,2	261,3	94,9	263,8	98,7
	8	296,8	70,9	285,7	80,4	281,2	84,2	274,6	89,9	268,0	95,5	270,8	99,5
AGR LN 085.2	4	297,7	75,1	285,5	85,1	280,6	88,9	273,4	94,6	266,1	100,5	268,0	104,5
	5	304,8	75,7	292,6	85,6	287,7	89,6	280,4	95,4	273,2	101,4	275,4	105,4
	6	311,9	76,3	299,6	86,2	294,8	90,2	287,5	96,3	280,3	102,3	282,8	106,3
	7	319,3	76,6	307,0	86,8	302,2	90,8	294,9	96,9	287,7	103,0	290,4	107,1
	8	326,7	77,0	314,4	87,4	309,6	91,4	302,3	97,6	295,0	103,7	298,1	107,9
AGR LN 090.2	4	311,7	77,5	298,9	87,7	293,8	91,6	286,2	97,6	278,7	103,7	280,6	107,9
	5	319,2	78,1	306,3	88,3	301,3	92,3	293,6	98,4	286,1	104,5	288,3	108,8
	6	326,6	78,7	313,7	88,9	308,7	93,0	301,1	99,2	293,5	105,4	296,0	109,7
	7	334,3	79,0	321,5	89,5	316,4	93,6	308,8	99,9	301,2	106,2	304,0	110,6
	8	342,0	79,4	329,2	90,1	324,1	94,3	316,5	100,6	308,9	106,9	312,1	111,4
AGR LN 095.2	4	327,9	83,0	314,4	94,0	309,1	98,2	301,1	104,6	293,1	111,1	295,2	115,6
	5	335,7	83,7	322,2	94,7	316,9	99,0	308,9	105,5	300,9	112,1	303,3	116,6
	6	343,5	84,3	330,0	95,3	324,7	99,7	316,7	106,4	308,7	113,0	311,4	117,6
	7	351,7	84,7	338,2	95,9	332,8	100,4	324,8	107,1	316,8	113,9	319,8	118,5
	8	359,8	85,2	346,3	96,5	341,0	101,1	333,0	107,9	325,0	114,6	328,3	119,4
AGR LN 100.2	4	348,2	88,2	333,8	99,9	328,2	104,4	-	-	-	-	-	-
	5	356,5	88,9	342,1	100,6	336,5	105,2	-	-	-	-	-	-
	6	364,8	89,6	350,4	101,3	344,8	106,0	-	-	-	-	-	-
	7	373,4	90,0	359,1	101,9	353,4	106,7	-	-	-	-	-	-
	8	382,0	90,5	367,7	102,6	362,0	107,4	-	-	-	-	-	-
AGR LN 102.2	4	360,4	86,5	345,5	97,9	339,7	102,3	330,9	108,9	322,1	115,7	324,4	120,4
	5	368,9	87,1	354,1	98,6	348,2	103,1	339,4	109,8	330,7	116,7	333,3	121,4
	6	377,5	87,8	362,7	99,3	356,8	103,9	348,0	110,8	339,3	117,7	342,2	122,5
	7	386,5	88,2	371,6	99,9	365,8	104,5	357,0	111,5	348,2	118,6	351,5	123,4
	8	395,4	88,7	380,6	100,5	374,7	105,2	365,9	112,3	357,1	119,4	360,8	124,3
AGR LN 110.2	4	368,4	93,4	353,3	105,8	347,3	110,5	-	-	-	-	-	-
	5	377,2	94,1	362,0	106,5	356,0	111,4	-	-	-	-	-	-
	6	386,0	94,9	370,8	107,2	364,8	112,2	-	-	-	-	-	-
	7	395,1	95,2	379,9	107,9	373,9	112,9	-	-	-	-	-	-
	8	404,2	95,8	389,1	108,6	383,1	113,7	-	-	-	-	-	-
AGR LN 112.2	4	381,3	91,5	365,6	103,6	359,4	108,3	350,1	115,3	340,9	122,5	343,3	127,5
	5	390,4	92,3	374,7	104,4	368,5	109,1	359,2	116,3	349,9	123,6	352,7	128,6
	6	399,5	93,0	383,8	105,1	377,6	110,0	368,3	117,3	359,0	124,6	362,1	129,7
	7	408,9	93,3	393,2	105,7	387,0	110,7	377,7	118,1	368,4	125,5	371,9	130,7
	8	418,4	93,9	402,7	106,4	396,5	111,4	387,2	118,9	377,9	126,4	381,7	131,6

Notes: (1) Ratings based on: evaporator fouling factor of 0,044 m² °C/kW, evaporator temperature drop of 5°C and sea level altitude.
 (2) Interpolation is allowed, extrapolation is not permitted. Please contact McQuay for performance outside the standard ratings.
 (3) The power input is for compressors only.
 (*) For higher ambient temperature values units perform as ST version.

Standard ratings AG LN 030.2÷075.2 (HFC 407C)

Unit size	Leaving chilled water temp. °C	AMBIENT TEMPERATURE - ° C											
		25		30		32		35		38 (*)		42	
		Cooling capacity kW	Power Input kW	Cooling capacity kW	Power Input kW	Cooling capacity kW	Power Input kW	Cooling capacity kW	Power Input kW	Cooling capacity kW	Power Input kW	Cooling capacity kW	Power Input kW
AGZ LN 030.2	6	97,1	22,6	93,3	25,6	91,7	26,8	89,5	28,6	87,2	30,4	88,0	31,7
	7	99,4	22,6	95,5	25,6	94,0	26,8	91,8	28,6	89,5	30,4	90,4	31,6
	8	101,7	22,6	97,8	25,5	96,3	26,7	94,1	28,5	91,8	30,3	92,8	31,6
	9	103,8	22,5	100,0	25,5	98,5	26,7	96,3	28,5	94,0	30,3	95,0	31,5
AGZ LN 035.2	6	109,4	27,3	105,1	31,0	103,4	32,4	100,8	34,6	98,3	36,8	99,1	38,3
	7	112,0	27,3	107,7	30,9	106,0	32,4	103,4	34,5	100,9	36,7	101,8	38,2
	8	114,5	27,2	110,2	30,8	108,5	32,3	106,0	34,5	103,5	36,6	104,5	38,1
	9	117,0	27,2	112,7	30,8	111,0	32,2	108,5	34,4	105,9	36,6	107,0	38,0
AGZ LN 040.2	6	122,9	30,7	118,1	34,8	116,2	36,4	113,3	38,9	110,5	41,3	111,4	43,0
	7	125,8	30,7	121,0	34,7	119,1	36,4	116,2	38,8	113,4	41,3	114,5	42,9
	8	128,7	30,6	123,9	34,7	122,0	36,3	119,1	38,7	116,3	41,2	117,5	42,9
	9	131,5	30,6	126,7	34,6	124,8	36,2	121,9	38,7	119,0	41,1	120,3	42,8
AGZ LN 045.2	6	135,6	35,6	130,3	40,3	128,2	42,2	125,0	45,0	121,9	47,8	123,0	49,8
	7	138,9	35,5	133,5	40,2	131,4	42,1	128,3	44,9	125,1	47,7	126,3	49,7
	8	142,1	35,4	136,7	40,1	134,6	42,0	131,5	44,8	128,3	47,6	129,6	49,6
	9	145,1	35,4	139,8	40,0	137,7	41,9	134,6	44,7	131,3	47,5	132,7	49,5
AGR LN 050.2	6	165,9	47,0	159,4	53,1	156,8	55,6	153,0	59,2	149,1	62,9	150,4	65,5
	7	169,9	47,2	163,3	53,4	160,8	55,9	156,9	59,7	153,0	63,4	154,5	66,0
	8	173,8	47,4	167,3	53,8	164,7	56,3	160,8	60,1	157,0	63,9	158,6	66,5
	9	177,5	47,7	171,0	54,1	168,4	56,6	164,6	60,5	160,6	64,3	162,3	67,0
AGR LN 055.2	6	183,5	51,3	176,3	58,0	173,5	60,6	-	-	-	-	-	-
	7	187,9	51,5	180,7	58,3	177,8	61,0	-	-	-	-	-	-
	8	192,2	51,8	185,0	58,7	182,2	61,5	-	-	-	-	-	-
	9	196,4	52,0	189,1	59,1	186,3	61,8	-	-	-	-	-	-
AGR LN 057.2	6	190,0	50,3	182,5	56,8	179,5	59,4	175,1	63,4	170,7	67,3	172,2	70,1
	7	194,5	50,4	187,0	57,1	184,0	59,8	179,6	63,8	175,2	67,8	176,9	70,6
	8	199,0	50,7	191,5	57,5	188,5	60,2	184,1	64,3	179,7	68,3	181,5	71,1
	9	203,2	51,0	195,8	57,9	192,8	60,6	188,4	64,7	183,9	68,8	185,8	71,7
AGR LN 060.2	6	201,2	55,6	193,2	62,8	190,1	65,7	-	-	-	-	-	-
	7	205,9	55,8	198,0	63,2	194,9	66,2	-	-	-	-	-	-
	8	210,7	56,1	202,8	63,6	199,6	66,6	-	-	-	-	-	-
	9	215,2	56,4	207,3	64,0	204,2	67,0	-	-	-	-	-	-
AGR LN 062.2	6	208,2	54,5	200,0	61,6	196,8	64,4	191,9	68,7	187,1	73,0	188,7	76,0
	7	213,1	54,7	204,9	61,9	201,7	64,8	196,9	69,2	192,0	73,5	193,8	76,5
	8	218,0	55,0	209,9	62,4	206,6	65,3	201,8	69,7	196,9	74,0	198,9	77,1
	9	222,7	55,3	214,5	62,7	211,3	65,7	206,5	70,1	201,5	74,6	203,7	77,7
AGR LN 065.2	6	228,1	58,4	219,1	66,0	215,6	69,0	210,3	73,6	205,0	78,2	206,8	81,4
	7	233,5	58,6	224,5	66,4	221,0	69,5	215,7	74,1	210,4	78,8	212,4	82,0
	8	238,9	58,9	229,9	66,8	226,4	69,9	221,1	74,6	215,8	79,3	218,0	82,6
	9	244,0	59,2	235,1	67,2	231,5	70,4	226,3	75,1	220,8	79,9	223,2	83,3
AGR LN 070.2	6	247,2	64,3	237,5	72,7	233,6	76,0	227,9	81,1	222,2	86,2	224,1	89,7
	7	253,0	64,5	243,3	73,1	239,5	76,5	233,7	81,7	228,0	86,8	230,1	90,3
	8	258,9	64,9	249,2	73,6	245,3	77,0	239,6	82,2	233,8	87,4	236,2	91,0
	9	264,5	65,2	254,7	74,0	250,9	77,5	245,2	82,8	239,3	88,1	241,8	91,8
AGR LN 075.2	6	262,2	65,4	251,9	73,9	247,8	77,3	241,7	82,5	235,6	87,6	237,7	91,2
	7	268,4	65,6	258,1	74,4	254,0	77,8	247,9	83,1	241,8	88,3	244,1	91,9
	8	274,6	66,0	264,3	74,9	260,2	78,4	254,1	83,6	248,0	88,9	250,5	92,6
	9	280,5	66,3	270,2	75,3	266,1	78,9	260,0	84,2	253,8	89,6	256,5	93,3

(*) For higher ambient temperature values units perform as ST version.

Standard ratings AG LN 080.2÷112.2 (HFC 407C)

Unit size	Leaving chilled water temp. °C	AMBIENT TEMPERATURE - ° C											
		25		30		32		35		38 (*)		42	
		Cooling capacity kW	Power Input kW	Cooling capacity kW	Power Input kW	Cooling capacity kW	Power Input kW	Cooling capacity kW	Power Input kW	Cooling capacity kW	Power Input kW	Cooling capacity kW	Power Input kW
AGR LN 080.2	6	274,9	70,3	264,1	79,4	259,8	83,1	253,4	88,6	247,0	94,2	249,2	98,0
	7	281,4	70,5	270,6	79,9	266,3	83,6	259,9	89,2	253,5	94,9	255,9	98,7
	8	287,9	70,9	277,1	80,4	272,8	84,2	266,4	89,9	260,0	95,5	262,7	99,5
	9	294,1	71,3	283,3	80,9	279,0	84,7	272,7	90,5	266,1	96,2	268,9	100,3
AGR LN 085.2	6	302,5	76,3	290,7	86,2	286,0	90,2	278,9	96,3	271,9	102,3	274,3	106,3
	7	309,7	76,6	297,8	86,8	293,1	90,8	286,1	96,9	279,0	103,0	281,7	107,1
	8	316,9	77,0	305,0	87,4	300,3	91,4	293,2	97,6	286,2	103,7	289,1	107,9
	9	323,7	77,4	311,8	87,9	307,1	92,0	300,1	98,3	292,9	104,5	296,0	108,8
AGR LN 090.2	6	316,8	78,7	304,3	88,9	299,4	93,0	292,0	99,2	284,7	105,4	287,2	109,7
	7	324,3	79,0	311,8	89,5	306,9	93,6	299,5	99,9	292,2	106,2	294,9	110,6
	8	331,8	79,4	319,3	90,1	314,4	94,3	307,0	100,6	299,7	106,9	302,7	111,4
	9	338,9	79,8	326,5	90,6	321,6	94,9	314,2	101,3	306,7	107,8	309,9	112,3
AGR LN 095.2	6	333,2	84,3	320,1	95,3	315,0	99,7	307,2	106,4	299,5	113,0	302,1	117,6
	7	341,1	84,7	328,0	95,9	322,8	100,4	315,1	107,1	307,3	113,9	310,2	118,5
	8	349,0	85,2	335,9	96,5	330,7	101,1	323,0	107,9	315,2	114,6	318,4	119,4
	9	356,5	85,6	343,4	97,1	338,3	101,7	330,5	108,6	322,6	115,5	326,0	120,4
AGR LN 100.2	6	353,8	89,6	339,9	101,3	334,4	106,0	-	-	-	-	-	-
	7	362,2	90,0	348,3	101,9	342,8	106,7	-	-	-	-	-	-
	8	370,6	90,5	356,7	102,6	351,2	107,4	-	-	-	-	-	-
	9	378,5	90,9	364,6	103,2	359,2	108,1	-	-	-	-	-	-
AGR LN 102.2	6	366,2	87,8	351,8	99,3	346,1	103,9	337,6	110,8	329,1	117,7	332,0	122,5
	7	374,9	88,2	360,5	99,9	354,8	104,5	346,3	111,5	337,7	118,6	340,9	123,4
	8	383,5	88,7	369,1	100,5	363,5	105,2	354,9	112,3	346,4	119,4	349,9	124,3
	9	391,8	89,1	377,4	101,1	371,7	105,9	363,2	113,1	354,5	120,3	358,2	125,3
AGR LN 110.2	6	374,4	94,9	359,7	107,2	353,9	112,2	-	-	-	-	-	-
	7	383,3	95,2	368,5	107,9	362,7	112,9	-	-	-	-	-	-
	8	392,1	95,8	377,4	108,6	371,6	113,7	-	-	-	-	-	-
	9	400,5	96,3	385,8	109,3	380,0	114,4	-	-	-	-	-	-
AGR LN 112.2	6	387,5	93,0	372,3	105,1	366,2	110,0	357,2	117,3	348,2	124,6	351,3	129,7
	7	396,7	93,3	381,4	105,7	375,4	110,7	366,4	118,1	357,4	125,5	360,8	130,7
	8	405,8	93,9	390,6	106,4	384,6	111,4	375,6	118,9	366,5	126,4	370,3	131,6
	9	414,6	94,3	399,3	107,1	393,3	112,1	384,4	119,7	375,1	127,4	379,1	132,7

- Notes:** (1) Ratings based on: evaporator fouling factor of 0,044 m² °C/kW, evaporator temperature drop of 5°C and sea level altitude.
(2) Interpolation is allowed, extrapolation is not permitted. Please contact McQuay for performance outside the standard ratings.
(3) The power input is for compressors only.
(*) For higher ambient temperature values units perform as ST version.

Standard ratings AG LN 030.2÷065.2 (HFC 134a)

Unit size	Leaving chilled water temp. °C	AMBIENT TEMPERATURE - ° C									
		25		30		35		40		42	
		Cooling capacity kW	Power Input kW	Cooling capacity kW	Power Input kW	Cooling capacity kW	Power Input kW	Cooling capacity kW	Power Input kW	Cooling capacity kW	Power Input kW
AGZ LN 030.2	4	65,0	14,0	62,3	15,8	59,6	17,7	57,0	19,5	56,1	20,2
	5	66,5	14,0	63,8	15,8	61,2	17,7	58,6	19,5	57,7	20,1
	6	68,0	13,9	65,4	15,8	62,7	17,6	60,1	19,5	59,2	20,1
	7	69,7	13,9	67,0	15,7	64,3	17,6	61,7	19,4	60,8	20,0
	8	71,3	13,9	68,6	15,7	66,0	17,5	63,3	19,4	62,4	20,0
	9	72,8	13,8	70,1	15,7	67,5	17,5	64,8	19,3	63,9	20,0
AGZ LN 035.2	4	73,2	16,9	70,2	19,1	67,2	21,4	64,2	23,6	63,2	24,3
	5	74,9	16,8	71,9	19,1	68,9	21,3	66,0	23,5	65,0	24,3
	6	76,7	16,8	73,7	19,0	70,7	21,3	67,7	23,5	66,7	24,2
	7	78,5	16,8	75,5	19,0	72,5	21,2	69,5	23,5	68,5	24,2
	8	80,3	16,7	77,3	19,0	74,3	21,2	71,3	23,4	70,3	24,1
	9	82,0	16,7	79,0	18,9	76,0	21,1	73,0	23,4	72,0	24,1
AGZ LN 040.2	4	82,3	19,0	78,9	21,5	75,5	24,0	72,2	26,5	71,1	27,4
	5	84,2	18,9	80,8	21,4	77,5	24,0	74,2	26,5	73,0	27,3
	6	86,2	18,9	82,8	21,4	79,4	23,9	76,1	26,4	75,0	27,2
	7	88,2	18,9	84,8	21,4	81,5	23,9	78,1	26,4	77,0	27,2
	8	90,3	18,8	86,9	21,3	83,5	23,8	80,2	26,3	79,1	27,1
	9	92,2	18,8	88,8	21,3	85,5	23,8	82,1	26,3	80,9	27,1
AGZ LN 045.2	4	90,8	22,0	87,0	24,9	83,3	27,8	79,7	30,7	78,4	31,7
	5	92,9	21,9	89,2	24,8	85,5	27,7	81,8	30,6	80,6	31,6
	6	95,1	21,9	91,4	24,8	87,7	27,7	84,0	30,6	82,8	31,5
	7	97,3	21,8	93,6	24,7	89,9	27,6	86,2	30,5	85,0	31,5
	8	99,6	21,8	95,9	24,7	92,2	27,6	88,5	30,4	87,2	31,4
	9	101,7	21,7	98,0	24,6	94,3	27,5	90,5	30,4	89,3	31,3
AGR LN 050.2	4	111,0	28,4	106,5	32,2	101,9	35,8	97,5	39,6	96,0	40,8
	5	113,7	28,7	109,1	32,4	104,6	36,1	100,1	39,9	98,6	41,1
	6	116,3	28,9	111,7	32,6	107,2	36,4	102,7	40,2	101,2	41,5
	7	119,1	29,0	114,5	32,8	110,0	36,7	105,5	40,5	104,0	41,8
	8	121,8	29,2	117,3	33,1	112,7	36,9	108,2	40,8	106,7	42,1
	9	124,4	29,3	119,9	33,3	115,4	37,2	110,8	41,2	109,2	42,5
AGR LN 055.2	4	122,8	31,0	117,8	35,2	112,8	39,1	107,8	43,2	106,1	44,5
	5	125,7	31,3	120,7	35,4	115,7	39,4	110,7	43,5	109,1	44,9
	6	128,7	31,5	123,6	35,6	118,6	39,8	113,6	43,9	112,0	45,3
	7	131,7	31,7	126,7	35,9	121,7	40,1	116,7	44,3	115,0	45,6
	8	134,8	31,8	129,7	36,1	124,7	40,3	119,7	44,6	118,0	46,0
	9	137,7	32,0	132,6	36,3	127,6	40,6	122,5	44,9	120,8	46,4
AGR LN 060.2	4	134,6	33,7	129,1	38,1	123,6	42,4	118,1	46,8	116,3	48,3
	5	137,8	33,9	132,3	38,4	126,8	42,8	121,3	47,2	119,5	48,7
	6	141,0	34,2	135,5	38,6	130,0	43,1	124,6	47,6	122,7	49,1
	7	144,4	34,3	138,8	38,9	133,3	43,4	127,9	48,0	126,0	49,5
	8	147,7	34,5	142,1	39,1	136,7	43,7	131,2	48,3	129,4	49,8
	9	150,9	34,7	145,3	39,4	139,9	44,0	134,3	48,7	132,4	50,3
AGR LN 065.2	4	152,6	35,3	146,4	40,0	140,1	44,5	134,0	49,1	131,9	50,7
	5	156,3	35,6	150,0	40,3	143,8	44,9	137,6	49,6	135,5	51,1
	6	159,9	35,9	153,6	40,6	147,4	45,3	141,2	50,0	139,2	51,5
	7	163,7	36,0	157,4	40,8	151,2	45,6	145,0	50,4	142,9	51,9
	8	167,5	36,2	161,2	41,1	155,0	45,9	148,8	50,7	146,7	52,3
	9	171,1	36,4	164,8	41,3	158,6	46,2	152,3	51,1	150,2	52,8

Standard ratings AG LN 070.2÷110.2 (HFC 134a)

Unit size	Temp. acqua usc. all'evap. °C	AMBIENT TEMPERATURE - ° C									
		25		30		35		40		42	
		Cooling capacity kW	Power Input kW	Cooling capacity kW	Power Input kW	Cooling capacity kW	Power Input kW	Cooling capacity kW	Power Input kW	Cooling capacity kW	Power Input kW
AGR LN 070.2	4	165,4	38,9	158,6	44,1	151,9	49,0	145,2	54,1	143,0	55,8
	5	169,4	39,2	162,5	44,4	155,8	49,5	149,1	54,6	146,9	56,3
	6	173,3	39,5	166,5	44,7	159,8	49,9	153,1	55,1	150,8	56,8
	7	177,4	39,7	170,6	45,0	163,9	50,2	157,1	55,5	154,9	57,2
	8	181,5	39,9	174,7	45,3	168,0	50,6	161,2	55,9	159,0	57,6
9	185,4	40,1	178,6	45,5	171,9	50,9	165,0	56,3	162,7	58,1	
AGR LN 075.2	4	175,4	39,6	168,2	44,8	161,1	49,9	154,0	55,1	151,6	56,8
	5	179,6	39,9	172,4	45,1	165,2	50,3	158,2	55,5	155,8	57,3
	6	183,8	40,2	176,6	45,5	169,4	50,7	162,3	56,0	159,9	57,8
	7	188,1	40,4	180,9	45,7	173,8	51,1	166,6	56,4	164,3	58,2
	8	192,5	40,6	185,3	46,0	178,1	51,4	171,0	56,8	168,6	58,6
9	196,6	40,8	189,4	46,3	182,3	51,8	175,0	57,3	172,6	59,1	
AGR LN 080.2	4	183,9	42,5	176,4	48,2	168,9	53,6	161,4	59,2	159,0	61,0
	5	188,3	42,9	180,7	48,5	173,3	54,0	165,8	59,7	163,3	61,5
	6	192,7	43,2	185,1	48,8	177,6	54,5	170,2	60,2	167,7	62,1
	7	197,3	43,4	189,7	49,1	182,2	54,9	174,7	60,6	172,2	62,5
	8	201,8	43,6	194,2	49,5	186,8	55,3	179,3	61,1	176,8	63,0
9	206,1	43,8	198,6	49,8	191,1	55,6	183,5	61,6	181,0	63,5	
AGR LN 085.2	4	202,5	46,2	194,1	52,3	185,9	58,2	177,7	64,3	175,0	66,3
	5	207,3	46,6	198,9	52,7	190,7	58,7	182,5	64,8	179,8	66,8
	6	212,1	46,9	203,8	53,0	195,5	59,2	187,3	65,4	184,6	67,4
	7	217,1	47,1	208,8	53,4	200,5	59,6	192,3	65,9	189,6	67,9
	8	222,1	47,4	213,8	53,7	205,6	60,0	197,3	66,3	194,6	68,4
9	226,9	47,6	218,6	54,0	210,4	60,4	202,0	66,9	199,2	69,0	
AGR LN 090.2	4	212,0	47,6	203,3	53,9	194,6	60,0	186,1	66,3	183,2	68,3
	5	217,0	48,0	208,3	54,3	199,7	60,5	191,1	66,8	188,2	68,9
	6	222,1	48,4	213,3	54,7	204,7	61,0	196,2	67,4	193,3	69,5
	7	227,3	48,6	218,6	55,0	210,0	61,5	201,4	67,9	198,5	70,0
	8	232,6	48,9	223,9	55,4	215,2	61,9	206,6	68,4	203,7	70,5
9	237,6	49,1	228,9	55,7	220,3	62,3	211,5	68,9	208,6	71,1	
AGR LN 095.2	4	223,0	51,1	213,8	57,8	204,7	64,3	195,7	71,0	192,7	73,3
	5	228,3	51,5	219,1	58,2	210,0	64,9	201,0	71,6	198,0	73,9
	6	233,6	51,9	224,4	58,6	215,4	65,4	206,3	72,2	203,3	74,5
	7	239,1	52,1	230,0	59,0	220,9	65,9	211,8	72,8	208,8	75,1
	8	244,7	52,4	235,5	59,4	226,4	66,3	217,3	73,3	214,3	75,6
9	249,9	52,6	240,7	59,7	231,7	66,8	222,4	73,9	219,4	76,2	
AGR LN 100.2	4	236,8	54,3	227,0	61,4	217,4	68,3	207,8	75,5	204,6	77,8
	5	242,4	54,7	232,6	61,9	223,0	68,9	213,4	76,1	210,2	78,5
	6	248,0	55,1	238,3	62,3	228,7	69,5	219,1	76,7	215,9	79,2
	7	253,9	55,3	244,2	62,7	234,5	70,0	224,9	77,3	221,7	79,8
	8	259,8	55,6	250,0	63,1	240,4	70,5	230,8	77,9	227,5	80,4
9	265,4	55,9	255,6	63,5	246,0	71,0	236,2	78,5	232,9	81,0	
AGR LN 110.2	4	250,5	57,4	240,2	65,0	230,0	72,4	219,9	79,9	216,5	82,4
	5	256,5	57,9	246,2	65,5	236,0	73,0	225,9	80,6	222,5	83,1
	6	262,5	58,3	252,1	65,9	242,0	73,6	231,8	81,3	228,4	83,8
	7	268,7	58,6	258,4	66,3	248,2	74,1	238,0	81,9	234,6	84,5
	8	274,9	58,9	264,6	66,8	254,4	74,6	244,2	82,4	240,8	85,1
9	280,8	59,2	270,5	67,2	260,3	75,1	249,9	83,1	246,5	85,8	

- Notes:** (1) Ratings based on: evaporator fouling factor of 0,044 m² °C/kW, evaporator temperature drop of 5°C and sea level altitude.
(2) Interpolation is allowed, extrapolation is not permitted. Please contact McQuay for performance outside the standard ratings.
(3) The power input is for compressors only.

Physical data AG XN 030.2÷075.2

"AGZ XN" unit size		030.2	035.2	040.2	045.2
Cooling capacity (HCFC 22) (1)	kW	91,0	102,4	115,0	142,9
Power input (HCFC 22) (1)	kW	29,4	35,5	39,8	38,6
Cooling capacity (HFC 407C) (1)	kW	88,3	99,3	111,6	138,6
Power input (HFC 407C) (1)	kW	29,4	35,5	39,8	38,6
Cooling capacity (HFC 134a) (1)	kW	61,7	69,6	78,3	97,2
Power input (HFC 134a) (1)	kW	18,1	21,8	24,5	23,7
Compressor type/No. of compressor		scroll/4	scroll/4	scroll/4	scroll/4
No. of circuit		2	2	2	2
No. of reduction steps	Standard	4	4	4	4
Condenser fans					
No. of fans/Fan motor	kW	2/1,0	2/1,0	2/1,0	4/1
Total air flow	m3/s	4,5	4,5	6	12,6
Evaporator					
No. of evaporator		1	1	1	1
Max operating pressure	bar	16	16	16	16
Water volume	l	40	40	40	40
Condenser coil					
No. of coil		2	2	2	4
Weight					
Operating weight	kg	1520	1520	1520	2310
Shipping weight	kg	1480	1480	1480	2245

"AGR XN" unit size		050.2	055.2	060.2	065.2	070.2	075.2
Cooling capacity (HCFC 22) (1)	kW	173,2	185,0	197,1	211,0	225,3	239,7
Power input (HCFC 22) (1)	kW	59,2	65,4	71,6	79,9	88,2	89,8
Cooling capacity (HFC 407C) (1)	kW	168,0	179,5	191,2	204,7	218,5	232,5
Power input (HFC 407C) (1)	kW	59,2	65,4	71,6	79,9	88,2	89,8
Cooling capacity (HFC 134a) (1)	kW	117,3	125,5	133,6	143,5	153,3	163,0
Power input (HFC 134a) (1)	kW	36,4	40,2	44,0	49,1	54,3	55,2
Compressor type/No. of compressor		recip/2	recip/2	recip/2	recip/2	recip/2	recip/2
No. of circuit		2	2	2	2	2	2
No. of reduction steps	Standard	4	4	4	4	4	4
Condenser fans							
No. of fans/Fan motor	kW	4/1	4/1	4/1	4/1	4/1	4/1
Total air flow	m3/s	12,6	12,6	12,6	12,6	12,6	12,6
Evaporator							
No. of evaporator		1	1	1	1	1	1
Max operating pressure	bar	16	16	16	16	16	16
Water volume	l	60	60	60	100	100	90
Condenser coil							
No. of coil		4	4	4	4	4	4
Weight							
Operating weight	kg	2310	2310	2310	2310	2310	2310
Shipping weight	kg	2245	2245	2245	2245	2245	2245

Note: (1) Nominal cooling capacity are based on: 12/7 °C entering/leaving evaporator water temperature; 35°C ambient temperature.

Physical data AG XN 080.2÷110.2

"AGR XN" unit size		080.2	085.2	090.2	095.2	100.2	110.2
Cooling capacity (HCFC 22) (1)	kW	262,2	288,7	307,1	323,8	338,1	352,2
Power input (HCFC 22) (1)	kW	93,4	101,4	104,6	109,7	116,1	122,5
Cooling capacity (HFC 407C) (1)	kW	254,3	280,0	297,9	214,1	328,0	341,6
Power input (HFC 407C) (1)	kW	93,4	101,4	104,6	109,7	116,1	122,5
Cooling capacity (HFC 134a) (1)	kW	178,3	196,3	208,9	220,2	229,9	239,5
Power input (HFC 134a) (1)	kW	57,5	62,4	64,3	67,5	71,4	75,4
Compressor type/No. of compressor		recip/2	recip/2	recip/2	recip/2	recip/2	recip/2
No. of circuit		2	2	2	2	2	2
No. of reduction steps	Standard	4	4	4	4	4	4
Condenser fans							
No. of fans/Fan motor	kW	6/1	6/1	6/1	6/1	6/1	6/1
Total air flow	m3/s	12,6	12,6	12,6	18	18	18
Evaporator							
No. of evaporator		1	1	1	1	1	1
Max operating pressure	bar	16	16	16	16	16	16
Water volume	l	90	90	90	90	90	90
Condenser coil							
No. of coil		4	4	4	4	4	4
Weight							
Operating weight	kg	3110	3110	3110	3500	3500	3500
Shipping weight	kg	3025	3025	3025	3415	3415	3415

Note: (1) Nominal cooling capacity are based on: 12/7 °C entering/leaving evaporator water temperature; 35°C ambient temperature.

Sound pressure level AG XN 030.2÷110.2

AG XN unit size	Sound pressure level at 1 m from the unit in free field (ref. 2×10^{-5})								dBA
	63 Hz	125 Hz	250 Hz	500 Hz	1000 Hz	2000 Hz	4000 Hz	8000 Hz	
AGZ XN 030.2	64,0	62,0	58,5	58,0	57,5	53,0	46,0	41,0	61,0
AGZ XN 035.2	64,0	62,0	58,5	58,0	57,5	53,0	46,0	41,0	61,0
AGZ XN 040.2	64,0	62,0	58,5	58,0	57,5	53,0	46,0	41,0	61,0
AGZ XN 045.2	66,5	64,5	61,0	60,5	59,5	54,5	48,5	43,5	63,5
AGR XN 050.2	68,0	66,0	63,0	60,5	60,0	54,5	48,5	43,5	63,5
AGR XN 055.2	68,0	66,0	63,0	60,5	60,0	54,5	48,5	43,5	63,5
AGR XN 060.2	68,0	66,0	63,0	60,5	60,0	54,5	48,5	43,5	63,5
AGR XN 065.2	68,0	66,0	63,0	60,5	60,0	54,5	48,5	43,5	63,5
AGR XN 070.2	68,0	66,0	63,0	60,5	60,0	54,5	48,5	43,5	63,5
AGR XN 075.2	68,0	66,0	63,0	60,5	60,0	54,5	48,5	43,5	63,5
AGR XN 080.2	69,0	67,0	64,0	61,5	61,0	55,5	49,5	44,5	64,5
AGR XN 085.2	69,0	67,0	64,0	61,5	61,0	55,5	49,5	44,5	64,5
AGR XN 090.2	69,0	67,0	64,0	61,5	61,0	55,5	49,5	44,5	64,5
AGR XN 095.2	69,5	68,0	66,5	63,5	61,0	57,0	52,5	44,5	66,0
AGR XN 100.2	69,5	68,0	66,5	63,5	61,0	57,0	52,5	44,5	66,0
AGR XN 110.2	69,5	68,0	66,5	63,5	61,0	57,0	52,5	44,5	66,0

Note: Average sound pressure level rated in accordance to ISO 3744, free field conditions. 12/7 °C entering/leaving evaporator water temperature; 35 °C ambient temperature.

Electrical data AG XN (HCFC 22 - HFC 407C)

"AGZ XN" (HCFC 22 and HFC 407C)	030.2	035.2	040.2	045.2
Standard voltage	400 V - 3f - 50 Hz (1)			
Total compr. absorbed current nom. cond. (2) A	54,8	65,3	73,5	70,5
Max absorbed current each compressor A	37+37	42,4+42,4	47,2+47,2	52+52
Max inrush current compressors A	116	128	159	159
Total fans absorbed current nom. cond. (2) A	5	5	5	10
Max unit absorbed current A	79	89,8	99,4	114

"AGR XN" (HCFC 22 and HFC 407C)	050.2	055.2	060.2	065.2	070.2	075.2
Standard voltage	400 V - 3f - 50 Hz (1)					
Total compr. absorbed current nom. cond. (2) A	105,1	111,4	117,7	143,2	167,5	169,8
Max absorbed current each compressor A	65,5+65,5	65,5+70,5	70,5+70,5	70,5+92	92+92	92+92
Max inrush current compressors A	202	247	247	286	286	286
Total fans absorbed current nom. cond. (2) A	10	10	10	10	10	10
Max unit absorbed current A	141	146	151	172,5	194	194

"AGR XN" (HCFC 22 and HFC 407C)	080.2	085.2	090.2	095.2	100.2	110.2
Standard voltage	400 V - 3f - 50 Hz (1)					
Total compr. absorbed current nom. cond. (2) A	177,1	192,0	196,9	190,7	201,8	213,0
Max absorbed current each compressor A	92+112	112+112	112+112	98+98	98+114	114+114
Max inrush current compressors A	347	347	347	345	537	537
Total fans absorbed current nom. cond. (2) A	15	15	15	15	15	15
Max unit absorbed current A	219	239	239	211	227	243

Notes: (1) Allowed voltage tolerance $\pm 10\%$.

(2) Absorbed current nominal condition: 12/7°C entering/leaving evaporator water temperature; 35°C ambient temperature.

Electrical data AG XN (HFC 134a)

"AGZ XN" (HFC 134a)		030.2	035.2	040.2	045.2
Standard voltage		400 V - 3f - 50 Hz (1)			
Total compr. absorbed current nom. cond. (2)	A	43,0	49,9	56,4	52,4
Max absorbed current each compressor	A	37+37	42,4+42,4	47,2+47,2	52+52
Max inrush current compressors	A	116	128	159	159
Total fans absorbed current nom. cond. (2)	A	5	5	5	10
Max unit absorbed current	A	79	89,8	99,4	114

"AGR XN" (HFC 134a)		050.2	055.2	060.2	065.2	070.2	075.2
Standard voltage		400 V - 3f - 50 Hz (1)					
Total compr. absorbed current nom. cond. (2)	A	63,0	69,5	76,3	89,0	97,2	97,9
Max absorbed current each compressor	A	65,5+65,5	65,5+70,5	70,5+70,5	70,5+92	92+92	92+92
Max inrush current compressors	A	202	247	247	286	286	286
Total fans absorbed current nom. cond. (2)	A	10	10	10	10	10	10
Max unit absorbed current	A	141	146	151	172,5	194	194

"AGR XN" (HFC 134a)		080.2	085.2	090.2	095.2	100.2	110.2
Standard voltage		400 V - 3f - 50 Hz (1)					
Total compr. absorbed current nom. cond. (2)	A	112,7	131,5	132,7	116,2	122,8	129,6
Max absorbed current each compressor	A	92+112	112+112	112+112	98+98	98+114	114+114
Max inrush current compressors	A	347	347	347	345	537	537
Total fans absorbed current nom. cond. (2)	A	15	15	15	15	15	15
Max unit absorbed current	A	219	239	239	211	227	243

Notes: (1) Allowed voltage tolerance $\pm 10\%$.

(2) Absorbed current nominal condition: 12/7°C entering/leaving evaporator water temperature; 35°C ambient temperature.

Standard ratings AG XN 030.2÷075.2 (HCFC 22)

Unit size	Leaving chilled water temp.- °C	AMBIENT TEMPERATURE - ° C									
		25		30		35 (*)		38		42	
		Cooling capacity kW	Power Input kW	Cooling capacity kW	Power Input kW	Cooling capacity kW	Power Input kW	Cooling capacity kW	Power Input kW	Cooling capacity kW	Power Input kW
AGZ XN 030.2	4	91,7	23,4	87,9	26,5	84,2	29,6	85,4	30,6	82,6	32,8
	5	93,8	23,3	90,1	26,4	86,3	29,5	87,7	30,5	84,8	32,7
	6	96,0	23,3	92,2	26,4	88,5	29,5	89,9	30,4	87,1	32,6
	7	98,3	23,2	94,5	26,3	90,8	29,4	92,3	30,4	89,4	32,6
	8	100,6	23,2	96,8	26,3	93,1	29,3	94,7	30,3	91,8	32,5
9	102,7	23,1	99,0	26,2	95,2	29,3	96,9	30,3	94,0	32,4	
AGZ XN 035.2	4	103,4	28,2	99,1	32,0	94,9	35,7	96,2	36,9	93,0	39,6
	5	105,8	28,2	101,6	31,9	97,4	35,6	98,8	36,8	95,6	39,5
	6	108,3	28,1	104,1	31,8	99,8	35,5	101,3	36,8	98,1	39,4
	7	110,9	28,0	106,6	31,8	102,4	35,5	104,0	36,7	100,8	39,3
	8	113,4	28,0	109,2	31,7	105,0	35,4	106,7	36,6	103,4	39,3
9	115,9	27,9	111,6	31,6	107,4	35,3	109,2	36,6	105,9	39,2	
AGZ XN 040.2	4	116,2	31,7	111,4	35,9	106,7	40,1	108,1	41,5	104,5	44,5
	5	119,0	31,6	114,2	35,8	109,5	40,0	111,0	41,4	107,4	44,4
	6	121,7	31,6	116,9	35,7	112,2	39,9	113,9	41,3	110,3	44,3
	7	124,6	31,5	119,8	35,7	115,1	39,8	116,9	41,3	113,3	44,2
	8	127,5	31,4	122,7	35,6	118,0	39,8	119,9	41,2	116,3	44,1
9	130,2	31,4	125,4	35,5	120,8	39,7	122,7	41,1	119,0	44,0	
AGZ XN 045.2	4	144,3	30,7	138,3	34,7	132,5	38,8	119,3	48,0	115,4	51,5
	5	147,7	30,6	141,8	34,7	135,9	38,7	122,5	47,9	118,5	51,4
	6	151,2	30,5	145,2	34,6	139,3	38,6	125,7	47,8	121,7	51,3
	7	154,7	30,5	148,8	34,5	142,9	38,6	129,0	47,7	125,0	51,2
	8	158,3	30,4	152,4	34,5	146,5	38,5	132,3	47,6	128,3	51,1
9	161,7	30,4	155,8	34,4	149,9	38,4	135,4	47,5	131,3	51,0	
AGR XN 050.2	4	174,1	45,9	167,0	52,0	159,9	57,8	146,0	61,9	141,1	66,3
	5	178,3	46,3	171,1	52,3	164,0	58,3	149,8	62,4	145,0	66,9
	6	182,4	46,6	175,3	52,7	168,2	58,8	153,7	62,9	148,9	67,5
	7	186,8	46,8	179,6	53,0	172,5	59,2	157,8	63,4	152,9	68,0
	8	191,1	47,1	183,9	53,4	176,8	59,6	161,8	63,9	156,9	68,5
9	195,2	47,3	188,0	53,7	181,0	60,1	165,6	64,3	160,6	69,0	
AGR XN 055.2	4	186,3	50,7	178,6	57,4	171,0	63,9	161,4	67,6	156,1	72,4
	5	190,7	51,1	183,0	57,8	175,5	64,4	165,7	68,1	160,4	73,0
	6	195,1	51,5	187,5	58,2	179,9	65,0	170,0	68,7	164,7	73,7
	7	199,8	51,7	192,1	58,6	184,5	65,4	174,5	69,2	169,1	74,2
	8	204,4	52,0	196,7	59,0	189,1	65,9	179,0	69,7	173,6	74,8
9	208,8	52,3	201,1	59,3	193,6	66,3	183,2	70,2	177,7	75,4	
AGR XN 060.2	4	198,4	55,5	190,2	62,8	182,2	69,9	176,9	73,2	171,1	78,5
	5	203,1	55,9	194,9	63,3	186,9	70,5	181,7	73,9	175,8	79,2
	6	207,8	56,4	199,7	63,7	191,6	71,1	186,4	74,5	180,5	79,8
	7	212,8	56,6	204,6	64,1	196,5	71,6	191,2	75,0	185,3	80,4
	8	217,7	56,9	209,5	64,5	201,4	72,1	196,2	75,6	190,2	81,0
9	222,4	57,2	214,2	64,9	206,2	72,6	200,8	76,1	194,8	81,7	
AGR XN 065.2	4	213,0	61,9	204,2	70,1	195,5	78,0	200,6	76,9	194,0	82,4
	5	218,1	62,4	209,3	70,6	200,6	78,7	206,0	77,5	199,3	83,1
	6	223,1	62,9	214,4	71,1	205,7	79,4	211,3	78,2	204,6	83,8
	7	228,4	63,2	219,6	71,5	211,0	79,9	216,9	78,8	210,2	84,5
	8	233,7	63,5	224,9	72,0	216,3	80,5	222,4	79,3	215,7	85,1
9	238,7	63,8	229,9	72,4	221,3	81,0	227,6	79,9	220,8	85,8	
AGR XN 070.2	4	227,5	68,4	218,1	77,4	208,9	86,1	217,4	84,7	210,2	90,8
	5	232,9	68,9	223,5	78,0	214,3	86,9	223,2	85,4	216,0	91,6
	6	238,3	69,5	228,9	78,5	219,7	87,6	229,0	86,2	221,8	92,3
	7	243,9	69,7	234,6	79,0	225,3	88,2	235,0	86,8	227,8	93,1
	8	249,6	70,1	240,2	79,5	231,0	88,8	241,1	87,4	233,8	93,7
9	254,9	70,5	245,6	80,0	236,4	89,4	246,7	88,1	239,3	94,5	
AGR XN 075.2	4	242,0	69,6	232,0	78,8	222,2	87,7	230,6	86,2	223,0	92,4
	5	247,7	70,2	237,8	79,4	227,9	88,4	236,8	86,9	229,1	93,1
	6	253,5	70,7	243,5	79,9	233,7	89,2	242,9	87,6	235,2	93,9
	7	259,5	71,0	249,5	80,4	239,7	89,8	249,3	88,3	241,6	94,6
	8	265,5	71,4	255,5	80,9	245,7	90,4	255,7	88,9	247,9	95,3
9	271,2	71,7	261,2	81,4	251,4	91,1	261,6	89,6	253,8	96,1	

(*) For higher ambient temperature fans rotate at higher speed.

Standard ratings AG XN 080.2÷110.2 (HCFC 22)

Unit size	Leaving chilled water temp.-°C	AMBIENT TEMPERATURE - °C									
		25		30		35 (*)		38		42	
		Cooling capacity kW	Power Input kW	Cooling capacity kW	Power Input kW	Cooling capacity kW	Power Input kW	Cooling capacity kW	Power Input kW	Cooling capacity kW	Power Input kW
AGR XN 080.2	4	264,7	72,4	253,8	82,0	243,1	91,2	241,8	92,6	233,8	99,2
	5	271,0	73,0	260,1	82,6	249,4	92,0	248,2	93,4	240,2	100,1
	6	277,3	73,6	266,4	83,1	255,7	92,8	254,7	94,2	246,6	100,9
	7	283,9	73,8	273,0	83,6	262,2	93,4	261,3	94,9	253,3	101,7
	8	290,5	74,3	279,6	84,2	268,8	94,1	268,0	95,5	260,0	102,4
	9	296,7	74,6	285,8	84,7	275,1	94,7	274,3	96,2	266,1	103,3
AGR XN 085.2	4	291,4	78,6	279,4	89,0	267,6	99,0	266,1	100,5	257,3	107,8
	5	298,4	79,2	286,4	89,6	274,5	99,9	273,2	101,4	264,4	108,7
	6	305,3	79,9	293,3	90,3	281,5	100,7	280,3	102,3	271,4	109,6
	7	312,5	80,2	300,5	90,8	288,7	101,4	287,7	103,0	278,8	110,4
	8	319,8	80,6	307,8	91,4	295,9	102,1	295,0	103,7	286,1	111,3
	9	326,6	81,0	314,6	92,0	302,9	102,8	301,9	104,5	292,9	112,2
AGR XN 090.2	4	310,1	81,1	297,3	91,8	284,7	102,1	278,7	103,7	269,4	111,1
	5	317,4	81,7	304,7	92,5	292,1	103,0	286,1	104,5	276,8	112,1
	6	324,8	82,4	312,1	93,1	299,4	103,9	293,5	105,4	284,2	113,0
	7	332,5	82,7	319,7	93,7	307,1	104,6	301,2	106,2	291,9	113,9
	8	340,2	83,2	327,4	94,3	314,8	105,3	308,9	106,9	299,6	114,7
	9	347,5	83,6	334,7	94,9	322,2	106,1	316,2	107,8	306,7	115,7
AGR XN 095.2	4	326,9	85,1	313,5	96,3	300,2	107,1	293,1	111,1	283,4	119,1
	5	334,7	85,7	321,2	97,0	307,9	108,1	300,9	112,1	291,2	120,1
	6	342,5	86,4	329,0	97,6	315,7	109,0	308,7	113,0	299,0	121,1
	7	350,6	86,7	337,1	98,2	323,8	109,7	316,8	113,9	307,0	122,1
	8	358,7	87,2	345,2	98,9	331,9	110,5	325,0	114,6	315,2	123,0
	9	366,4	87,7	352,9	99,5	339,7	111,2	332,6	115,5	322,6	124,0
AGR XN 100.2	4	341,3	90,0	327,2	101,9	313,4	113,4	311,2	118,1	300,9	126,6
	5	349,4	90,7	335,4	102,6	321,5	114,4	319,5	119,1	309,2	127,6
	6	357,6	91,4	343,5	103,3	329,6	115,3	327,8	120,1	317,4	128,7
	7	366,0	91,8	352,0	104,0	338,1	116,1	336,4	121,0	326,0	129,7
	8	374,5	92,3	360,4	104,7	346,5	116,9	345,0	121,8	334,6	130,7
	9	382,5	92,8	368,5	105,3	354,7	117,7	353,1	122,8	342,6	131,7
AGR XN 110.2	4	355,6	95,0	341,0	107,5	326,5	119,6	329,3	125,0	318,4	134,0
	5	364,1	95,7	349,4	108,3	335,0	120,6	338,1	126,1	327,2	135,1
	6	372,5	96,5	357,9	109,0	343,4	121,7	346,9	127,1	335,9	136,3
	7	381,3	96,8	366,7	109,7	352,2	122,5	356,0	128,1	345,0	137,3
	8	390,2	97,4	375,5	110,4	361,1	123,4	365,1	129,0	354,1	138,3
	9	398,5	97,9	383,9	111,1	369,5	124,2	373,6	130,0	362,5	139,5

- Notes:** (1) Ratings based on: evaporator fouling factor of 0,044 m² °C/kW, evaporator temperature drop of 5°C and sea level altitude.
(2) Interpolation is allowed, extrapolation is not permitted. Please contact McQuay for performance outside the standard ratings.
(3) The power input is for compressors only.
(*) For higher ambient temperature fans rotate at higher speed.

Standard ratings AG XN 030.2÷075.2 (HFC 407C)

Unit size	Leaving chilled water temp.- °C	AMBIENT TEMPERATURE - ° C									
		25		30		35 (*)		38		42	
		Cooling capacity kW	Power Input kW	Cooling capacity kW	Power Input kW	Cooling capacity kW	Power Input kW	Cooling capacity kW	Power Input kW	Cooling capacity kW	Power Input kW
AGZ XN 030.2	6	93,1	23,3	89,5	26,4	85,9	29,5	87,2	30,4	84,5	32,6
	7	95,3	23,2	91,7	26,3	88,1	29,4	89,5	30,4	86,8	32,6
	8	97,6	23,2	93,9	26,3	90,3	29,3	91,8	30,3	89,0	32,5
	9	99,6	23,1	96,0	26,2	92,4	29,3	94,0	30,3	91,2	32,4
AGZ XN 035.2	6	105,1	28,1	100,9	31,8	96,9	35,5	98,3	36,8	95,2	39,4
	7	107,5	28,0	103,4	31,8	99,3	35,5	100,9	36,7	97,7	39,3
	8	110,0	28,0	105,9	31,7	101,8	35,4	103,5	36,6	100,3	39,3
	9	112,4	27,9	108,3	31,6	104,2	35,3	105,9	36,6	102,7	39,2
AGZ XN 040.2	6	118,1	31,6	113,4	35,7	108,9	39,9	110,5	41,3	107,0	44,3
	7	120,9	31,5	116,2	35,7	111,6	39,8	113,4	41,3	109,9	44,2
	8	123,7	31,4	119,0	35,6	114,4	39,8	116,3	41,2	112,8	44,1
	9	126,3	31,4	121,7	35,5	117,1	39,7	119,0	41,1	115,4	44,0
AGZ XN 045.2	6	146,6	30,5	140,9	34,6	135,2	38,6	121,9	47,8	118,0	51,3
	7	150,1	30,5	144,3	34,5	138,6	38,6	125,1	47,7	121,2	51,2
	8	153,6	30,4	147,8	34,5	142,1	38,5	128,3	47,6	124,4	51,1
	9	156,9	30,4	151,1	34,4	145,4	38,4	131,3	47,5	127,4	51,0
AGR XN 050.2	6	177,0	46,6	170,0	52,7	163,1	58,8	149,1	62,9	144,4	67,5
	7	181,2	46,8	174,2	53,0	167,3	59,2	153,0	63,4	148,3	68,0
	8	185,3	47,1	178,4	53,4	171,5	59,6	157,0	63,9	152,2	68,5
	9	189,3	47,3	182,4	53,7	175,5	60,1	160,6	64,3	155,8	69,0
AGR XN 055.2	6	189,3	51,5	181,8	58,2	174,5	65,0	164,9	68,7	159,7	73,7
	7	193,8	51,7	186,3	58,6	179,0	65,4	169,3	69,2	164,0	74,2
	8	198,3	52,0	190,8	59,0	183,5	65,9	173,6	69,7	168,4	74,8
	9	202,5	52,3	195,1	59,3	187,8	66,3	177,7	70,2	172,4	75,4
AGR XN 060.2	6	201,6	56,4	193,7	63,7	185,9	71,1	180,8	74,5	175,1	79,8
	7	206,4	56,6	198,5	64,1	190,6	71,6	185,5	75,0	179,8	80,4
	8	211,2	56,9	203,2	64,5	195,4	72,1	190,3	75,6	184,5	81,0
	9	215,7	57,2	207,8	64,9	200,0	72,6	194,7	76,1	188,9	81,7
AGR XN 065.2	6	216,4	62,9	207,9	71,1	199,5	79,4	205,0	78,2	198,5	83,8
	7	221,6	63,2	213,0	71,5	204,6	79,9	210,4	78,8	203,9	84,5
	8	226,7	63,5	218,2	72,0	209,8	80,5	215,8	79,3	209,3	85,1
	9	231,5	63,8	223,0	72,4	214,7	81,0	220,8	79,9	214,2	85,8
AGR XN 070.2	6	231,2	69,5	222,1	78,5	213,1	87,6	222,2	86,2	215,1	92,3
	7	236,6	69,7	227,5	79,0	218,6	88,2	228,0	86,8	220,9	93,1
	8	242,1	70,1	233,0	79,5	224,0	88,8	233,8	87,4	226,8	93,7
	9	247,3	70,5	238,2	80,0	229,3	89,4	239,3	88,1	232,2	94,5
AGR XN 075.2	6	245,9	70,7	236,2	79,9	226,7	89,2	235,6	87,6	228,1	93,9
	7	251,7	71,0	242,0	80,4	232,5	89,8	241,8	88,3	234,3	94,6
	8	257,5	71,4	247,9	80,9	238,3	90,4	248,0	88,9	240,5	95,3
	9	263,0	71,7	253,4	81,4	243,9	91,1	253,8	89,6	246,2	96,1

(*) For higher ambient temperature fans rotate at higher speed.

Standard ratings AG XN 080.2÷110.2 (HFC 407C)

Unit size	Leaving chilled water temp.-°C	AMBIENT TEMPERATURE - ° C									
		25		30		35 (*)		38		42	
		Cooling capacity kW	Power Input kW	Cooling capacity kW	Power Input kW	Cooling capacity kW	Power Input kW	Cooling capacity kW	Power Input kW	Cooling capacity kW	Power Input kW
AGR XN 080.2	6	269,0	73,6	258,4	83,1	248,0	92,8	247,0	94,2	239,2	100,9
	7	275,4	73,8	264,8	83,6	254,4	93,4	253,5	94,9	245,7	101,7
	8	281,7	74,3	271,2	84,2	260,7	94,1	260,0	95,5	252,2	102,4
	9	287,8	74,6	277,2	84,7	266,8	94,7	266,1	96,2	258,1	103,3
AGR XN 085.2	6	296,1	79,9	284,5	90,3	273,0	100,7	271,9	102,3	263,3	109,6
	7	303,2	80,2	291,5	90,8	280,0	101,4	279,0	103,0	270,4	110,4
	8	310,2	80,6	298,5	91,4	287,0	102,1	286,2	103,7	277,5	111,3
	9	316,8	81,0	305,2	92,0	293,8	102,8	292,9	104,5	284,1	112,2
AGR XN 090.2	6	315,1	82,4	302,7	93,1	290,5	103,9	284,7	105,4	275,7	113,0
	7	322,5	82,7	310,2	93,7	297,9	104,6	292,2	106,2	283,1	113,9
	8	330,0	83,2	317,6	94,3	305,4	105,3	299,7	106,9	290,6	114,7
	9	337,1	83,6	324,7	94,9	312,5	106,1	306,7	107,8	297,5	115,7
AGR XN 095.2	6	332,2	86,4	319,1	97,6	306,3	109,0	299,5	113,0	290,0	121,1
	7	340,1	86,7	327,0	98,2	314,1	109,7	307,3	113,9	297,8	122,1
	8	347,9	87,2	334,9	98,9	322,0	110,5	315,2	114,6	305,7	123,0
	9	355,4	87,7	342,4	99,5	329,5	111,2	322,6	115,5	313,0	124,0
AGR XN 100.2	6	346,8	91,4	333,2	103,3	319,7	115,3	318,0	120,1	307,9	128,7
	7	355,0	91,8	341,4	104,0	327,9	116,1	326,3	121,0	316,2	129,7
	8	363,2	92,3	349,6	104,7	336,2	116,9	334,7	121,8	324,6	130,7
	9	371,0	92,8	357,4	105,3	344,0	117,7	342,5	122,8	332,3	131,7
AGR XN 110.2	6	361,3	96,5	347,1	109,0	333,1	121,7	336,5	127,1	325,8	136,3
	7	369,9	96,8	355,7	109,7	341,7	122,5	345,3	128,1	334,6	137,3
	8	378,5	97,4	364,3	110,4	350,2	123,4	354,1	129,0	343,5	138,3
	9	386,6	97,9	372,4	111,1	358,4	124,2	362,4	130,0	351,6	139,5

- Notes:** (1) Ratings based on: evaporator fouling factor of 0,044 m² °C/kW, evaporator temperature drop of 5°C and sea level altitude.
(2) Interpolation is allowed, extrapolation is not permitted. Please contact McQuay for performance outside the standard ratings.
(3) The power input is for compressors only.
(*) For higher ambient temperature fans rotate at higher speed.

Standard ratings AG XN 030.2÷075.2 (HFC 134a)

Unit size	Leaving chilled water temp.- °C	AMBIENT TEMPERATURE - ° C									
		25		30		35		38 (*)		42	
		Cooling capacity kW	Power Input kW	Cooling capacity kW	Power Input kW	Cooling capacity kW	Power Input kW	Cooling capacity kW	Power Input kW	Cooling capacity kW	Power Input kW
AGZ XN 030.2	4	62,3	14,4	59,8	16,3	57,2	18,2	55,7	19,3	56,1	20,2
	5	63,8	14,4	61,2	16,3	58,7	18,2	57,2	19,3	57,7	20,1
	6	65,3	14,3	62,7	16,2	60,2	18,1	58,7	19,3	59,2	20,1
	7	66,8	14,3	64,3	16,2	61,7	18,1	60,2	19,2	60,8	20,0
	8	68,4	14,3	65,8	16,2	63,3	18,0	61,8	19,2	62,4	20,0
9	69,9	14,2	67,3	16,1	64,8	18,0	63,3	19,1	63,9	20,0	
AGZ XN 035.2	4	70,3	17,3	67,4	19,6	64,5	22,0	62,8	23,3	63,2	24,3
	5	72,0	17,3	69,1	19,6	66,2	21,9	64,5	23,3	65,0	24,3
	6	73,7	17,3	70,8	19,6	67,9	21,9	66,2	23,2	66,7	24,2
	7	75,4	17,2	72,5	19,5	69,6	21,8	67,9	23,2	68,5	24,2
	8	77,1	17,2	74,2	19,5	71,4	21,8	69,7	23,1	70,3	24,1
9	78,8	17,2	75,9	19,5	73,1	21,7	71,4	23,1	72,0	24,1	
AGZ XN 040.2	4	79,0	19,5	75,8	22,1	72,5	24,7	70,6	26,2	71,1	27,4
	5	80,9	19,4	77,6	22,0	74,4	24,6	72,5	26,2	73,0	27,3
	6	82,8	19,4	79,5	22,0	76,3	24,6	74,4	26,1	75,0	27,2
	7	84,7	19,4	81,5	21,9	78,3	24,5	76,3	26,0	77,0	27,2
	8	86,7	19,3	83,4	21,9	80,2	24,5	78,3	26,0	79,1	27,1
9	88,6	19,3	85,3	21,8	82,1	24,4	80,2	25,9	80,9	27,1	
AGZ XN 045.2	4	98,1	18,9	94,1	21,4	90,1	23,9	87,7	25,4	88,4	31,7
	5	100,5	18,8	96,4	21,3	92,4	23,8	90,0	25,3	90,6	31,6
	6	102,8	18,8	98,7	21,3	94,8	23,8	92,4	25,3	92,8	31,5
	7	105,2	18,7	101,2	21,2	97,2	23,7	94,8	25,2	95,0	31,5
	8	107,7	18,7	103,6	21,2	99,6	23,7	97,2	25,2	97,2	31,4
9	110,0	18,7	105,9	21,1	102,0	23,6	99,6	25,1	99,3	31,3	
AGR XN 050.2	4	118,4	28,2	113,5	32,0	108,7	35,6	105,8	37,7	106,0	40,8
	5	121,2	28,5	116,4	32,2	111,5	35,9	108,7	38,1	108,6	41,1
	6	124,1	28,7	119,2	32,4	114,4	36,2	111,5	38,4	110,2	41,5
	7	127,0	28,8	122,1	32,6	117,3	36,4	114,4	38,7	114,0	41,8
	8	129,9	29,0	125,1	32,8	120,2	36,7	117,4	39,0	116,7	42,1
9	132,7	29,1	127,8	33,0	123,1	36,9	120,2	39,3	119,2	42,5	
AGR XN 055.2	4	126,7	31,2	121,4	35,3	116,3	39,3	113,2	41,7	116,1	44,5
	5	129,7	31,4	124,5	35,6	119,3	39,6	116,2	42,1	119,1	44,9
	6	132,7	31,7	127,5	35,8	122,3	40,0	119,2	42,4	122,0	45,3
	7	135,8	31,8	130,6	36,0	125,5	40,2	122,4	42,8	125,0	45,6
	8	139,0	32,0	133,8	36,3	128,6	40,5	125,5	43,1	128,0	46,0
9	142,0	32,1	136,7	36,5	131,6	40,8	128,6	43,4	130,8	46,4	
AGR XN 060.2	4	134,9	34,1	129,4	38,6	123,9	43,0	120,6	45,6	126,3	48,3
	5	138,1	34,4	132,6	38,9	127,1	43,4	123,8	46,0	129,5	48,7
	6	141,3	34,7	135,8	39,2	130,3	43,7	127,0	46,5	132,7	49,1
	7	144,7	34,8	139,1	39,4	133,6	44,0	130,3	46,8	136,0	49,5
	8	148,0	35,0	142,5	39,7	137,0	44,3	133,7	47,1	139,4	49,8
9	151,2	35,2	145,6	39,9	140,2	44,6	136,9	47,5	142,6	50,3	
AGR XN 065.2	4	144,8	38,1	138,9	43,1	133,0	48,0	129,4	50,9	139,9	50,7
	5	148,3	38,4	142,3	43,4	136,4	48,4	132,9	51,4	143,5	51,1
	6	151,7	38,7	145,8	43,7	139,9	48,8	136,3	51,8	147,1	51,5
	7	155,3	38,8	149,4	44,0	143,5	49,1	139,9	52,2	150,7	51,9
	8	158,9	39,1	152,9	44,3	147,1	49,5	143,5	52,6	154,3	52,3
9	162,3	39,3	156,4	44,6	150,5	49,8	147,0	53,0	157,7	52,8	
AGR XN 070.2	4	154,7	42,0	148,3	47,6	142,0	53,0	138,2	56,2	149,9	55,8
	5	158,4	42,4	152,0	47,9	145,7	53,4	141,9	56,7	153,6	56,3
	6	162,0	42,7	155,7	48,3	149,4	53,9	145,6	57,2	157,3	56,8
	7	165,9	42,9	159,5	48,6	153,2	54,3	149,4	57,7	161,0	57,2
	8	169,7	43,1	163,3	48,9	157,1	54,6	153,3	58,1	164,7	57,6
9	173,4	43,3	167,0	49,2	160,7	55,0	157,0	58,5	168,4	58,1	
AGR XN 075.2	4	164,5	42,8	157,8	48,5	151,1	53,9	147,0	57,2	160,9	56,8
	5	168,4	43,1	161,7	48,8	155,0	54,4	151,0	57,7	164,7	57,3
	6	172,4	43,5	165,6	49,2	158,9	54,9	154,9	58,3	168,5	57,8
	7	176,4	43,7	169,7	49,4	163,0	55,2	159,0	58,7	172,3	58,2
	8	180,5	43,9	173,8	49,8	167,1	55,6	163,0	59,1	176,1	58,6
9	184,4	44,1	177,6	50,1	171,0	56,0	167,0	59,5	180,0	59,1	

(*) For higher ambient temperature fans rotate at higher speed.

Standard ratings AG XN 080.2÷110.2 (HFC 134a)

Unit size	Leaving chilled water temp.-°C	AMBIENT TEMPERATURE - °C									
		25		30		35		38 (*)		42	
		Cooling capacity kW	Power Input kW	Cooling capacity kW	Power Input kW	Cooling capacity kW	Power Input kW	Cooling capacity kW	Power Input kW	Cooling capacity kW	Power Input kW
AGR XN 080.2	4	180,0	44,5	172,6	50,4	165,3	56,1	160,9	59,5	159,0	61,0
	5	184,3	44,9	176,9	50,8	169,6	56,6	165,2	60,1	163,3	61,5
	6	188,6	45,2	181,2	51,1	173,9	57,1	169,5	60,6	167,7	62,1
	7	193,0	45,4	185,6	51,4	178,3	57,5	173,9	61,1	172,2	62,5
	8	197,5	45,7	190,1	51,8	182,8	57,9	178,4	61,5	176,8	63,0
	9	201,8	45,9	194,3	52,1	187,1	58,3	182,7	61,9	181,0	63,5
AGR XN 085.2	4	198,2	48,3	190,0	54,7	182,0	60,9	177,1	64,6	175,0	66,3
	5	202,9	48,7	194,7	55,1	186,7	61,4	181,8	65,2	179,8	66,8
	6	207,6	49,1	199,5	55,5	191,4	61,9	186,6	65,8	184,6	67,4
	7	212,5	49,3	204,4	55,8	196,3	62,4	191,5	66,3	189,6	67,9
	8	217,4	49,6	209,3	56,2	201,2	62,8	196,4	66,8	194,6	68,4
	9	222,1	49,8	214,0	56,6	205,9	63,2	201,1	67,2	199,2	69,0
AGR XN 090.2	4	210,8	49,9	202,2	56,5	193,6	62,8	188,4	66,6	183,2	68,3
	5	215,9	50,3	207,2	56,9	198,6	63,4	193,5	67,3	188,2	68,9
	6	220,9	50,7	212,2	57,3	203,6	63,9	198,5	67,9	193,3	69,5
	7	226,1	50,9	217,4	57,6	208,9	64,3	203,7	68,4	198,5	70,0
	8	231,3	51,2	222,7	58,0	214,1	64,8	208,9	68,9	203,7	70,5
	9	236,3	51,4	227,6	58,3	219,1	65,2	214,0	69,4	208,6	71,1
AGR XN 095.2	4	222,3	52,3	213,1	59,2	204,1	65,9	198,7	69,9	192,7	73,3
	5	227,6	52,7	218,4	59,6	209,4	66,5	204,0	70,5	198,0	73,9
	6	232,9	53,1	223,7	60,1	214,7	67,0	209,3	71,2	203,3	74,5
	7	238,4	53,3	229,2	60,4	220,2	67,5	214,8	71,7	208,8	75,1
	8	243,9	53,7	234,8	60,8	225,7	68,0	220,3	72,2	214,3	75,6
	9	249,2	53,9	240,0	61,2	231,0	68,4	225,6	72,8	219,4	76,2
AGR XN 100.2	4	232,1	55,4	222,5	62,7	213,1	69,7	207,4	74,0	204,6	77,8
	5	237,6	55,8	228,1	63,1	218,6	70,3	213,0	74,7	210,2	78,5
	6	243,1	56,2	233,6	63,6	224,1	70,9	218,5	75,4	215,9	79,2
	7	248,9	56,4	239,3	63,9	229,9	71,4	224,2	75,9	221,7	79,8
	8	254,6	56,8	245,1	64,4	235,7	71,9	230,0	76,4	227,5	80,4
	9	260,1	57,0	250,6	64,8	241,2	72,4	235,5	77,0	232,9	81,0
AGR XN 110.2	4	241,8	58,4	231,8	66,1	222,0	73,6	216,1	78,0	216,5	82,4
	5	247,6	58,9	237,6	66,6	227,8	74,2	221,9	78,8	222,5	83,1
	6	253,3	59,3	243,4	67,0	233,5	74,8	227,6	79,5	228,4	83,8
	7	259,3	59,6	249,4	67,5	239,5	75,4	233,6	80,1	234,6	84,5
	8	265,3	59,9	255,4	67,9	245,5	75,9	239,6	80,6	240,8	85,1
	9	271,0	60,2	261,1	68,3	251,3	76,4	245,4	81,2	246,5	85,8

- Notes:** (1) Ratings based on: evaporator fouling factor of 0,044 m² °C/kW, evaporator temperature drop of 5°C and sea level altitude.
(2) Interpolation is allowed, extrapolation is not permitted. Please contact McQuay for performance outside the standard ratings.
(3) The power input is for compressors only.
(*) For higher ambient temperature fans rotate at higher speed.

Partial heat recovery ratings AG 030.2÷110.2 (HCFC 22)

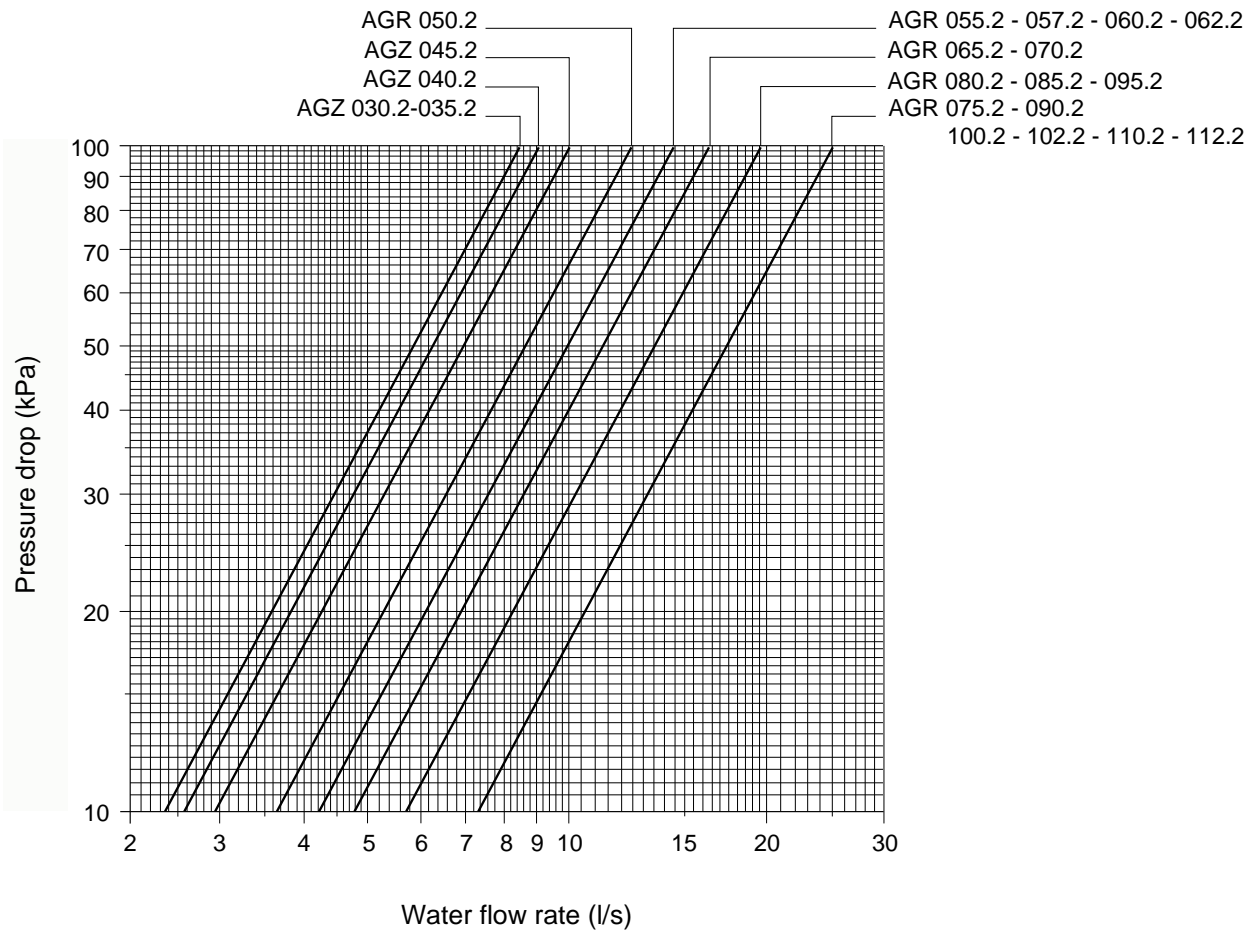
Unit size		LEAVING DESUPERHEATERS WATER TEMPERATURE - ° C		
		40	45	50
		Heating capacity kW	Heating capacity kW	Heating capacity kW
030.2	Leaving chilled water temperature 7 °C ΔT 5°C - Ambient temperature 35°C	20,5	17,4	14,7
035.2		23,6	20,0	17,0
040.2		26,7	22,7	19,0
045.2		29,5	25,0	21,2
050.2		37,5	32,0	27,0
055.2		41,2	35,0	29,5
060.2		44,8	38,0	32,0
065.2		49,5	42,0	35,5
070.2		54,3	46,2	39,0
075.2		56,1	47,7	40,2
080.2		59,7	50,7	42,8
085.2		65,0	55,2	46,5
090.2		67,2	57,0	48,0
095.2		72,2	61,4	51,8
100.2		75,2	64,0	54,0
110.2	78,3	66,5	56,0	

Partial heat recovery ratings AG 030.2÷110.2 (HFC 407C)

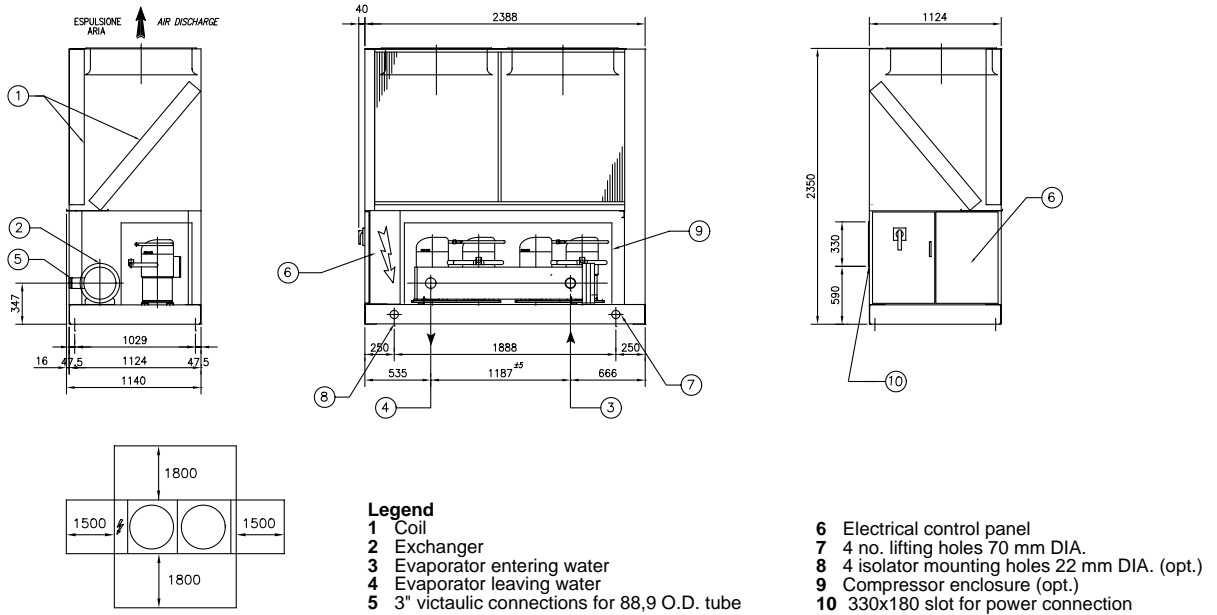
Unit size		LEAVING DESUPERHEATERS WATER TEMPERATURE - ° C		
		40	45	50
		Heating capacity kW	Heating capacity kW	Heating capacity kW
030.2	Leaving chilled water temperature 7 °C ΔT 5°C - Ambient temperature 35°C	18,0	14,8	11,6
035.2		20,6	17,0	13,4
040.2		23,0	19,0	15,0
045.2		25,7	21,2	16,8
050.2		32,6	27,0	21,3
055.2		35,7	29,5	23,3
060.2		38,8	32,0	25,4
065.2		43,0	35,5	28,0
070.2		47,2	39,0	30,8
075.2		48,7	40,2	31,8
080.2		51,8	42,8	33,8
085.2		56,4	46,6	36,8
090.2		58,2	48,0	38,0
095.2		62,8	52,0	41,0
100.2		65,4	54,0	42,6
110.2	68,0	56,2	44,4	

Water pressure drop

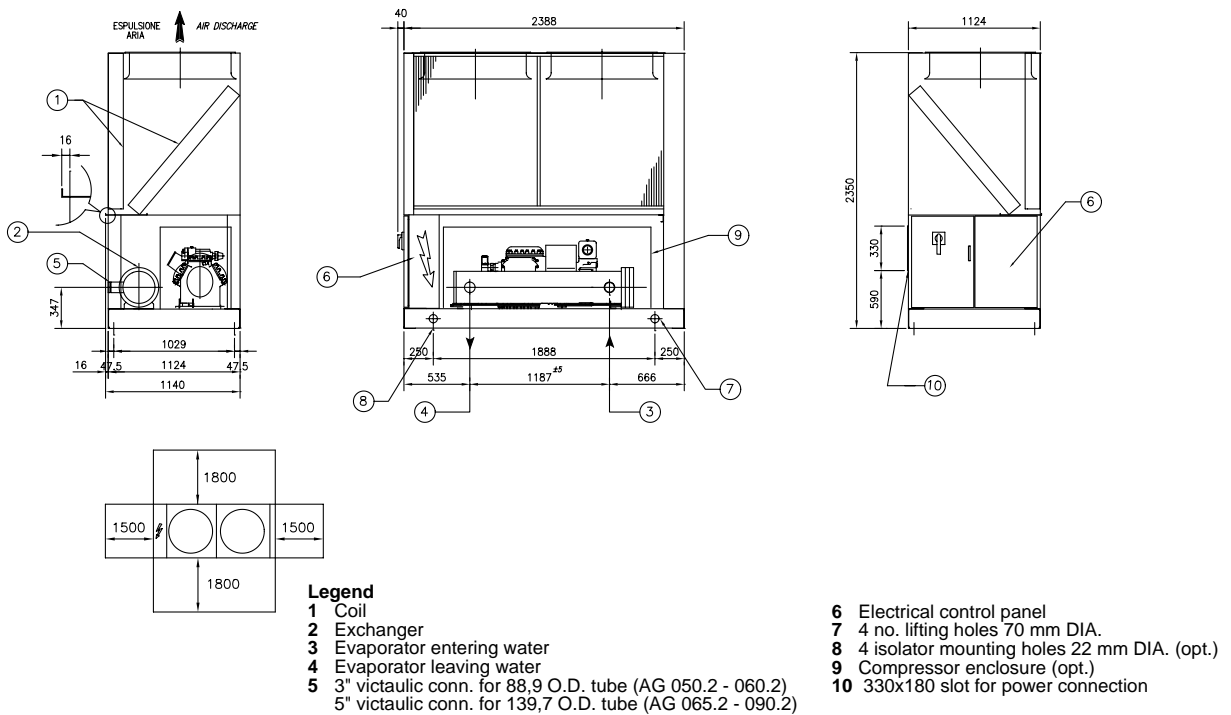
evaporator



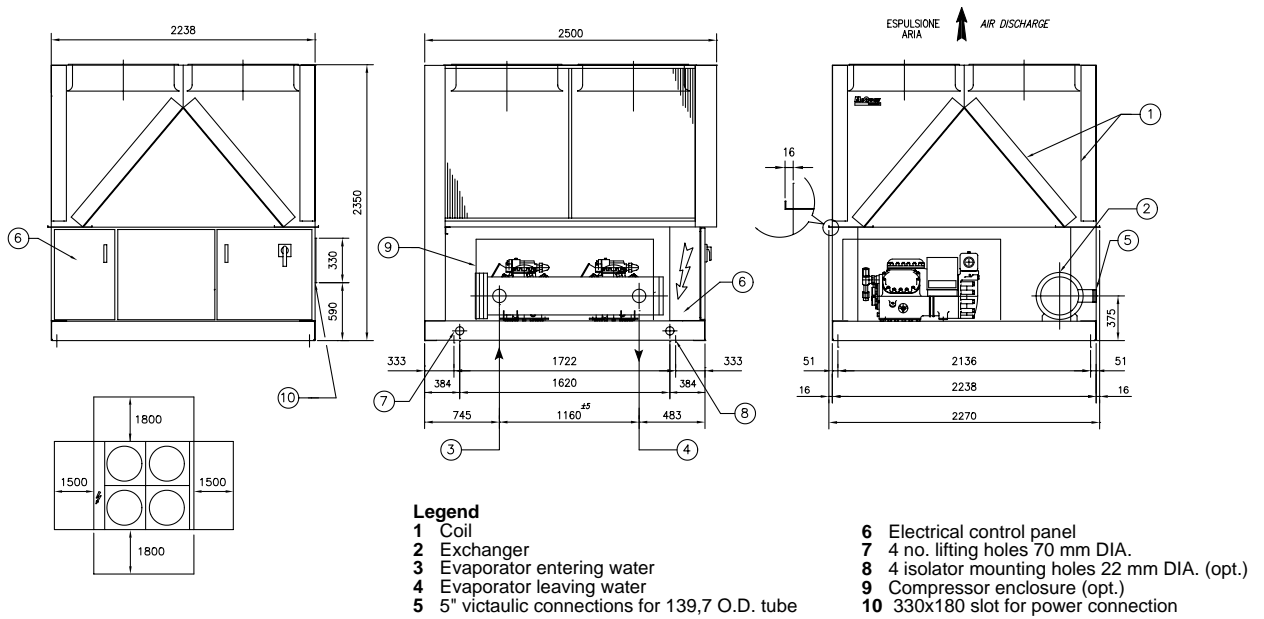
Dimensions AG ST 030.2÷045.2 - AG LN 030.2÷045.2 AG XN 030.2÷040.2



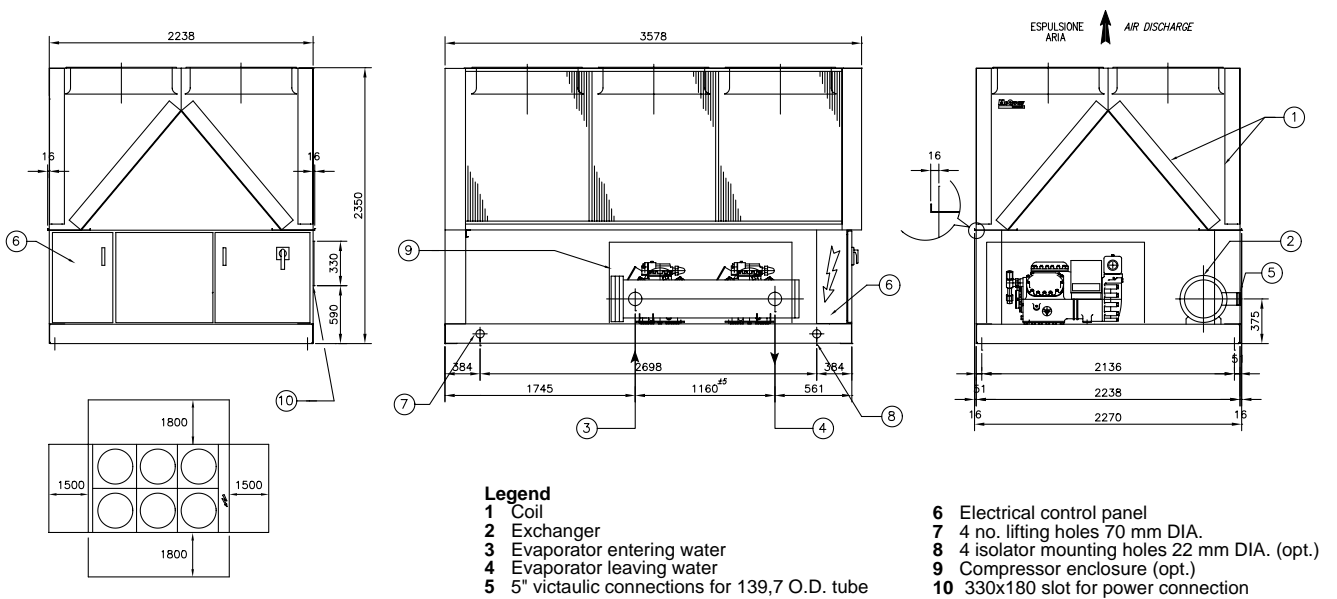
Dimensions AG ST 050.2÷060.2 - AG LN 050.2÷055.2



Dimensions AG ST 065.2÷110.2 - AG LN 057.2÷100.2, 110.2 AG XN 045.2÷075.2



Dimensions AG XN 080.2÷090.2



We reserve the right to make changes in design and construction at any time without notice, thus the cover picture is not binding.

Dimensions AG LN 102.2, 112.2 - AG XN 095.2÷110.2

