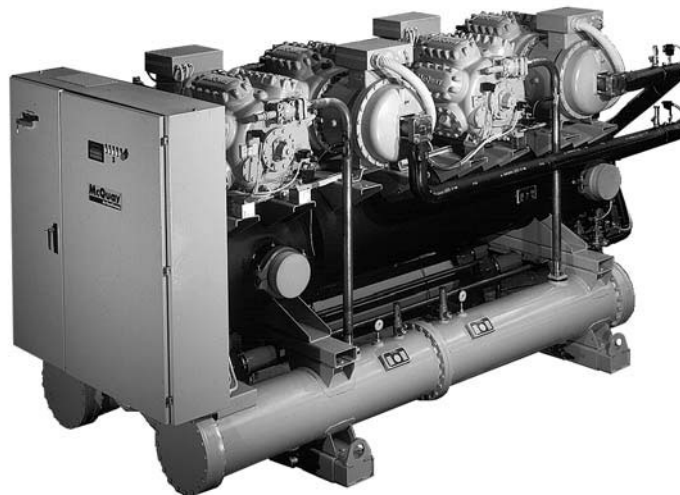


Water cooled water chillers

WHR 103.2÷451.4

cooling capacity from 338 to 1571 kW

50 Hz - refrigerant: HCFC22, HFC407C



McQuay is participating in the Eurovent Certification Programme. Product are as listed in the Eurovent Directory of Certified Products and on the web site www.eurovent-certification.com



WHR water cooled water chillers

McQuay Int'l introduces their newest water cooled water chiller type WHR equipped with semihermetic reciprocating compressors and microprocessor control system. McQuay have once again succeeded in developing a high quality product with extraordinary performance which is able to satisfy HVAC application, industrial refrigeration an icestore application. For more than 60 years, McQuay have designed and built successful line of products. The latest technology is included in the new WHR chiller range equipped with semihermetic reciprocating compressor and unsurpassed advanced features. All units are equipped with microprocessor control which optimises the unit operation also improving the interface with devices for remote monitoring.

McQuay water cooled reciprocating compressor chiller advantages

Low operating costs

The McQuay WHR chillers use the most reliable and efficient components in the industry. Semi-hermetic compressors series 800S and 900S offer an operating economy that at partial load conditions is uncomparable with the most aggressive competitors. The unloading system with multiple capacity steps reduction the electrical consumption to the plant requirement. The use of a single evaporator provided with multiple refrigerant circuits improves the unit performance at partial load operation.

Low installation costs

All units are completely factory assembled and lower water connections required on site reduces the installation cost. A rigid steel base with lifting points permits quick unit rigging.

Power and control panel mounted on the shorter side of the unit determines a more optimized location of unit inside the chillers room, allowing easy maintenance and control. WHR unit are fully wired and supplied with a single power connection. Extensive quality control operation tests assure trouble-free installation and start-up.

Full factory testing

Pressure vessels tests are performed on all units then evacuated and charged with refrigerant HCFC 22. Upon request the ozone safe refrigerants HFC 407C is also available. All safety and operating controls are properly checked and calibrated at the factory. A complete performance test simulates the given conditions. A second series of tests may also be performed at customer's presence. Before shipment, each unit is re-checked for pressure and refrigerant charge control.

Code requirements

Chiller rating: EN 12055.
Pressure vessel approval: PED.
Elect. & Safety Codes: IEC 204-1 CEI 44-5.
Safety Codes: CEI-EN 60204-1.
Quality Stds: ISO 9001:2000.

High flexible design

WHR units are available in 26 sizes covering a range from 338 kW to 1571 kW nominal cooling capacity. Thanks to their versatility and wide range of accessories units can be used in the air conditioning field, low temperature industrial plant and icestore applications.

Reliability

The use of McQuay semihermetic reciprocating compressors and the most advanced and efficient control system assures reliable functioning. Each refrigerant circuit comes complete with multiple safety devices which prevent compressor damage.

Serviceability

McQuay semi-hermetic compressors have easily serviceable mechanical parts, electric motor maintenance and lubrication. All multiple compressor units use independent refrigerant circuits. They permit shut-down, routine maintenance and service of one of the circuit while the others maintain the system operation.

Microprocessor chiller controller

Microprocessor is installed as standard on all WHR water cooled liquid chillers.

The microprocessor chiller controller displays the setpoint and all other control parameters that can be also modified and reselected. The controller has precision for two setpoint operation for use with water/glycol solutions in ice storage applications (see option 07 CB for low water temperature down to -8° C). Failures and fault indication are controlled and displayed by LED. The microprocessor can be connected to a remote monitoring system and to a printer via a RS422 serial communication port.

General characteristics

Structure

The chiller is equipped with brackets directly installed on heat exchangers. The evaporator and the suction piping are appropriately insulated to prevent condensation. Unit is provided with lifting holes.

Semi-hermetic Compressors

These are of the reciprocating type with multiple cylinders and suction and discharge valves. Forced oil lubrication is achieved throughout with a fully reversible direct driven oil pump. The crankcase oil heater is activated when the compressor stops and prevents oil dilution by liquid refrigerant and maintains the correct oil viscosity. Electric motors are protected from temperature overloads by the thermistors embedded into each of the 3 phases of the stator. The new WHR units can be equipped with the exclusive McQuay MQC-S 800 or 900 series compressors, to achieve maximum energy efficiency at part load conditions. WHR units

are equipped as standard with the McQuay 800 or 900 series part winding compressors with unloading system for capacity control.

Evaporator

The evaporator is a direct expansion shell-and-tube type constructed with a carbon steel shell and seamless high efficiency copper tubes. It is equipped with a baffled shell side to ensure the appropriate water flowing outside the tubes obtaining the maximum heat exchange with the lowest pressure drop. Externally the tube-bundle is protected by 10 mm thickness closed-cell insulation material. Evaporator water connections of victaulic type are equipped with a water nozzle to be welded on the plant piping system. They are designed inspected and stamped in accordance with the local national standard required for the chiller (ISPESL, SDM, TÜV, SA). Spring loaded relief valves are installed on evaporator.

Condensers

Condensers are shell and cleanable, through-tube type. The unit has independent condensers, one per circuit. Each condenser has a carbon steel and seamless, integrally finned high efficiency copper tubes, roll expanded into heavy carbon steel tube sheets. Water heads are removable and include vent and drain plugs. Condensers come complete with liquid shut-off valve, spring loaded relief valve.

Refrigerant circuits

Each refrigerant circuit is completely independent and complete with all control and regulation devices such as: stop valves, gauges, solenoid stop valves, filter driers, liquid sight glass and thermostatic expansion valves. Refrigerant circuits perform a pump down when the compressor stops.

Power and starting panel

The panel includes the main switch with key locked doors, fuses and contactors, safety switch and cut-out switch for each compressor, a signal lamp indicates unit fault condition, emergency stop button and auxiliary circuit transformer. Unit standard voltage is 400V/3ph/50Hz.

Control devices

The panel is provided with adequate space for the installation of the microprocessor control which includes: temperature and pressure sensors (thermistors and transducers) keypad/display data setup, ADI board, output board. All control devices and sensors are factory assembled and tested.

- Access password to prevent unauthorized access
- Alarm condition display
- Display of inputs recorded

Analogic inputs:

- Entering evaporator water temperature
- Leaving evaporator water temperature
- Refrigerant pressure

Digital inputs:

- ON/OFF remote
- Flow switch
- Antifreeze control
- Compressor differential oil pressure switch
- Refrigerant circuit low pressure switch
- Compressors thermal relays

Digital outputs:

- General alarm
- Electric pump

MicroTech (option 70) is the safer and more reliable chiller control on the market today. It provides balanced performance of chiller operations, unaltered leaving chilled water temperature granting the minimum compressor load and an energy saving, reducing the compressors starts. The system controls the compressors activity to keep the chiller running efficiently. The touch-sensitive membrane keypad includes a two line LCD display for monitoring and setup of all the chiller parameters. By means of automatic safety and protection devices the Microprocessor controls the main components of the unit is reversing the start sequence and the compressor unloading. The reading and the setpoints change can be operated on site or monitored from a remote location with the possibility to modify the unit function. MicroTech (optional) is a simple and self analysing system which controls temperatures, pressures, regulation setpoints and systems status. It can be also programmed by an internal clock to follow an operating schedule. The MicroTech has a password security system to provide protection against unauthorized use and to avoid unauthorized change of parameters. Its memory can retain and display the cause of the fault and the last system fault conditions. An open protocol (only with option 72) is provided for monitoring, controlling and changing of data with the most efficient building automation systems. This communication permits a drastic cost reduction for improving the plant operating efficiency. The liquid crystal display is backlight for easy viewing in all light conditions. It has touch-sensitive membrane key switches to provide positive operator feedback.

Available versions

The WHR units are available in 3 versions:

WHR ST - standard

WHR LR - special execution without water condensers but equipped with liquid receivers, one per refrigerant circuit and copper connection to be welded on the remote condenser. This unit version is specially designed for remote air condenser application or evaporating gas condensers.

WHR ME - special execution without condensers. Similar to the LR version but without the liquid receiver that must be included in the plant circuit.

Accessories and options

01 - 100% total heat recovery (R) produced with tube bundle placed in a single shell with the water condensers. Heat exchangers heads are provided with 2 connections for entering/leaving heat recovery water and 2 separate connections for condensing water.

De-superheaters (D) produced with plate to plate steel brazed welded heat exchangers (one per each circuit placed on discharge side of compressor hot gas).

Heat pump version - HP. Water to water heat pump is a special arrangement of the basic unit equipped with double set point. A manual change over switch "heat/cool" selects the running mode. The cycle is reversible only on water side by exchanging the water connections from the evaporator to the condenser and viceversa. The condensers are insulated to increase the heat recovery efficiency. The heat pump version always requires the installation of Micro-Tech control system (option 70).

Brine double set point version (CB). Dual leaving glycol mixture temperature set points. The lower setpoint can go down to -8°C.

PW compressor thermal overload relays. Safety device against compressor motor overloading in addition to the standard thermal protection installed on the electrical windings.

Phase monitor. The phase monitor controls the voltage values on the supply line stopping the unit when the calibration threshold is reached ($\pm 10\%$). This safety device is automatically reset.

Ammeter and Voltmeter. Digital meter of unit amp draw and voltage values installed inside the electrical control panel.

Condenser power factor correction. Installed on the electrical control panel to ensure it conforms to the plant rules (McQuay advises maximum 0,9).

Flow switch. For field installation on evaporator and condensers pipes to prevent freeze up under low temperature conditions. It must be wired to the power panel terminals by the customer.

CU-NI condensers 90-10. The heat exchangers are fitted with CU-NI tubes and special protection inside both the end covers to work with sea water.

Suction shut-off valve. Installed on the suction port serviceable during the routine maintenance and service operation on compressors (standard on HFC 407C).

High temperature control. It includes a pressurestat on high pressure circuit and a thermostat on evaporator water inlet. This option permits the compressor unloading when the condensing pressure exceeds the limit allowed or when the water temperature is higher than 20°C.

Wooden box packing. Box complete closed to protect the unit during the shipment by sea.

Open cage packing. To protect the units during the loading/unloading and transportation operations.

Rubber antivibration isolators. They are available for field installation to reduce vibrations transmission through the unit base.

Spring antivibration isolators. Supplied for field installation to reduce vibrations transmission through the unit base. Ideal for unit installation on roofs and metallic structures.

Sound proof cabinet on compressors. Made of sheet metal internally insulated to reduce the sound noise level of the compressors.

Unit test. The units are normally tested at the test bench prior to the shipment. On request, a second test can be carried out, at customer's presence, in accordance with the procedures indicated in the test application form. (Not available for units with glycol mixtures).

Table 1 - Operating limits

	HCFC 22	HFC 407C
Min/ Max leaving evaporator water temperature °C	4/9	4/9
Min/Max entering evaporator water temperature °C	8/17	8/17
Min/Max evaporator water Δt °C	4/8	4/8
Min/Max leaving condenser water temperature °C	30/50	30/45
Min/Max entering condenser water temperature °C	25/45	25/40
Min/Max condenser water Δt (1 pass) °C	4/8	4/8
Min/Max condenser water Δt (2 passes) °C	9/17	9/17
Min/Max leaving heat rec. cond. water temp. °C	30/50	30/45
Min/Max entering heat rec. cond. water temp. °C	25/45	25/40
Min/Max heat recovery cond. water Δt (1 pass) °C	4/8	4/8
Min/Max heat recovery cond. water Δt (2 passes) °C	9/17	9/17
Min/Max leaving brine evap. water temperature °C	-8/3	-8/3
Min/Max entering brine evap. water temperature °C	-3/7	-3/7

Table 1 - Evaporator fouling factors

Fouling factors m ² °C/kW	Cooling cap. Correction factor	Power input Correction factor	COP Correction factor
0,044	1	1	1
0,088	0,986	0,992	0,994
0,132	0,972	0,984	0,987

Table 2 - Condenser fouling factors

Fouling factors m ² °C/kW	Cooling cap. Correction factor	Power input Correction factor	COP Correction factor
0,044	1	1	1
0,088	0,99	1,018	0,973
0,132	0,981	1,036	0,945

Table 4 - Ethylene glycol and low ambient temperature correction factors

Air ambient temperature °C	-3	-8	-14	-22	-33
% of ethylene glycol by weight	10	20	30	40	50
Cooling capacity correction factor	0,991	0,982	0,972	0,961	0,946
Power input correction factor	0,996	0,992	0,986	0,976	0,966
Flow rate correction factor	1,013	1,040	1,074	1,121	1,178
Water pressure drops correction factor	1,070	1,129	1,181	1,263	1,308

Table 5 - Low temperature operation performance factors

Ethylene glycol/water leaving temperature °C	2	0	-2	-4	-6	-8
Max leaving heat rec. condenser water temp. °C	48	46	45	44	43	42
Max air ambient temperature °C	42	40	39	38	37	36
Cooling capacity correction factor	0,842	0,785	0,725	0,670	0,613	0,562
Power input compressors correction factor	0,95	0,94	0,92	0,89	0,87	0,84
Min. % of ethylene glycol	10	20	20	30	30	30

Nomenclature

WHR 103.2 ST 022

Water cooled water chillers

Unit size: 103 tons (1 ton=3,52kW)

No. of compressors: 2

3
4

Version:

ST Standard version
ME Condenserless version
LR Version with liquid reciever

Refrigerant:

022 HCFC 22
407 HFC 407C

Physical data WHR 103.2÷ 262.3

WHR Unit size		103.2	107.2	113.2	132.2	143.2	162.2	173.2
Cooling capacity HCFC 22 (1)	kW	338,7	365,8	392,8	450,4	508,0	548,6	589,2
Power input HCFC 22 (1)	kW	84,5	91,5	98,6	112,6	126,7	137,4	148,0
Cooling capacity HFC 407C (1)	kW	313,5	338,4	363,4	416,5	470,4	508,0	545,6
Power input HFC 407C (1)	kW	90,4	97,9	105,4	120,1	134,9	146,3	157,6
McQuay compressor	No./series	804/804	804/904	904/904	904/806	806/806	806/906	906/906
No. of refrigerant circuit		2	2	2	2	2	2	2
No. of reduction steps (standard)		4	4	4	4	4	4	4
Refrigerant charge (HCFC 22)	kg	62	67	72	88	90	97	104
No. of evaporator		1	1	1	1	1	1	1
Total water volume HCFC 22, HFC 407	l	106	103	100	203	199	195	190
Max water pressure	bar	16	16	16	16	16	16	16
No. of condenser		2	2	2	2	2	2	2
Total water volume HCFC 22, HFC 407C	l	41	44	46	53	60	63	65
Max water pressure	bar	16	16	16	16	16	16	16
No. of heat recovery condenser		2	2	2	2	2	2	2
Total water volume HCFC 22, HFC 407C	l	82	88	92	106	120	126	130
Add. refrigerant charge	kg	22	24	26	31	32	34	36
Shipping weight standard unit	kg	2490	2507	2522	2776	2877	2910	2952
Operating weight standard unit	kg	2655	2669	2681	3045	3145	3177	3215
Shipping weight heat recovery unit (R)	kg	2578	2606	2632	3195	3311	3356	3410
Shipping weight heat recovery unit (R)	kg	2803	2828	2851	3531	3649	3695	3747
Shipp. weight condenserless unit (ME)	kg	2108	2120	2130	2358	2451	2470	2508
Oper. weight condenserless unit (ME)	kg	2275	2289	2301	2648	2739	2762	2801
Shipping weight liquid rec. unit (LR)	kg	2278	2290	2300	2518	2611	2630	2658
Operating weight liquid rec. unit (LR)	kg	2445	2459	2471	2808	2899	2922	2951

WHR Unit size		183.2	193.2	211.2	222.2	242.3	252.3	262.3
Cooling capacity HCFC 22 (1)	kW	633,2	687,4	731,5	785,7	843,2	883,7	927,8
Power input HCFC 22 (1)	kW	158,5	172,6	183,1	197,2	211,4	222,0	232,5
Cooling capacity HFC 407C (1)	kW	586,3	627,2	677,4	727,5	780,8	818,3	859,1
Power input HFC 407C (1)	kW	168,8	179,9	195,0	210,0	225,1	236,4	247,6
McQuay compressor	No./series	906/808	906/908	808/908	908/908	2x906+806	3x906	2x906+808
No. of refrigerant circuit		2	2	2	2	3	3	3
No. of reduction steps (standard)		4	4	4	4	6	6	6
Refrigerant charge (HCFC 22)	kg	109	119	124	134	149	156	161
No. of evaporator		1	1	1	1	1	1	1
Total water volume HCFC 22, HFC 407C	l	186	264	259	254	268	268	262
Max water pressure	bar	16	16	16	16	16	16	16
No. of condenser		2	2	2	2	2	2	2
Total water volume HCFC 22, HFC 407C	l	67	72	74	79	96	98	101
Max water pressure	bar	16	16	16	16	16	16	16
No. of heat recovery condenser		2	2	2	2	2	2	2
Total water volume HCFC 22, HFC 407C	l	134	144	148	158	192	196	202
Add. refrigerant charge	kg	38	42	44	48	52	54	56
Shipping weight standard unit	kg	3077	3168	3285	3333	4674	4608	4719
Operating weight standard unit	kg	3341	3510	3631	3678	5139	5076	5185
Shipping weight heat recovery unit (R)	kg	3550	3645	3784	3843	5060	5006	5132
Shipping weight heat recovery unit (R)	kg	3893	4066	4218	4280	5654	5606	5735
Shipp. weight condenserless unit (ME)	kg	2615	2696	2786	2815	3755	3675	3768
Oper. weight condenserless unit (ME)	kg	2909	3078	3168	3202	4240	4167	4258
Shipping weight liquid rec. unit (LR)	kg	2765	3846	2936	2965	4084	4004	4097
Operating weight liquid rec. unit (LR)	kg	3059	3228	3318	3352	4569	4496	4587

Notes:(1) Nominal cooling capacity are based on: 12/7 °C entering/leaving evaporator water temperature; 30/35°C entering/leaving condenser water temperature.

Physical data WHR 282.3÷451.4

WHR Unit size		282.3	292.3	302.3	342.3	371.4	376.4	391.4
Cooling capacity HCFC 22 (1)	kW	971,9	1.016,0	1.070,2	1.178,5	1.293,7	1.310,2	1.354,7
Power input HCFC 22 (1)	kW	242,9	253,4	267,5	295,8	323,9	327,4	337,8
Cooling capacity HFC 407C (1)	kW	900,0	940,8	991,0	1.091,3	1.198,0	1.213,2	1.254,4
Power input HFC 407C (1)	kW	258,7	269,9	284,9	315,0	345,0	348,7	359,8
McQuay compressor	No./series	2x808+906	3x808	2x808+908	3x908	2x806+2x908	3x808+906	4x808
No. of refrigerant circuit		3	3	3	3	4	4	4
No. of reduction steps (standard)		6	6	6	6	8	8	8
Refrigerant charge (HCFC 22)	kg	166	171	181	201	224	223	228
No. of evaporator		1/1	1/1	1/1	1/1	1/1	1/1	1/1
Total water volume HCFC 22, HFC 407C	l	262	481	474	461	610	625	625
Max water pressure	bar	16	16	16	16	16	16	16
No. of condenser		3	3	3	3	4	4	4
Total water volume HCFC 22, HFC 407C	l	136	136	141	150	169	202	202
Max water pressure	bar	16	16	16	16	16	16	16
No. of heat recovery condenser		3	3	3	3	4	4	4
Total water volume HCFC 22, HFC 407C	l	272	272	282	300	338	404	404
Add. refrigerant charge	kg	58	60	64	72	80	78	80
Shipping weight standard unit	kg	4815	5068	5110	5190	6303	6376	6461
Operating weight standard unit	kg	5286	5805	5841	5915	7099	7197	7282
Shipping weight heat recovery unit (R)	kg	5241	5509	5562	5668	6943	7038	7125
Shipping weight heat recovery unit (R)	kg	5854	6393	6443	6549	7925	8055	8142
Shipp. weight condenserless unit (ME)	kg	3848	4083	4106	4152	5111	5161	5241
Oper. weight condenserless unit (ME)	kg	4343	4844	4868	4922	5945	6009	6094
Shipping weight liquid rec. unit (LR)	kg	4177	4412	4435	4481	5459	5509	5589
Operating weight liquid rec. unit (LR)	kg	4672	5173	5197	5251	6293	6357	6442

WHR Unit size		396.4	401.4	421.4	431.4	451.4
Cooling capacity HCFC 22 (1)	kW	1.378,3	1.408,8	1.463,0	1.517,2	1.571,4
Power input HCFC 22 (1)	kW	345,0	352,0	366,1	380,3	394,4
Cooling capacity HFC 407C (1)	kW	1.276,3	1.304,5	1.354,7	1.404,9	1.455,1
Power input HFC 407C (1)	kW	367,4	374,9	389,9	405,0	420,0
McQuay compressor	No./series	806+808+2x908	3x808+908	2x808+2x908	808+3x908	4x908
No. of refrigerant circuit		4	4	4	4	4
No. of reduction steps (standard)		8	8	8	8	8
Refrigerant charge (HCFC 22)	kg	236	228	248	258	268
No. of evaporator		1/1	1/1	1/1	1/1	1/1
Total water volume HCFC 22, HFC 407C	l	610	617	610	602	594
Max water pressure	bar	16	16	16	16	16
No. of condenser		4	4	4	4	4
Total water volume HCFC 22, HFC 407C	l	211	211	211	221	221
Max water pressure	bar	16	16	16	16	16
No. of heat recovery condenser		4	4	4	4	4
Total water volume HCFC 22, HFC 407C	l	422	422	422	422	422
Add. refrigerant charge	kg	84	80	88	92	96
Shipping weight standard unit	kg	6443	6499	6545	6593	6629
Operating weight standard unit	kg	7255	7318	7357	7403	7431
Shipping weight heat recovery unit (R)	kg	7129	7181	7235	7305	7345
Shipping weight heat recovery unit (R)	kg	8143	8202	8249	8323	8355
Shipp. weight condenserless unit (ME)	kg	5201	5265	5291	5315	5341
Oper. weight condenserless unit (ME)	kg	6047	6110	6149	6175	6203
Shipping weight liquid rec. unit (LR)	kg	5549	5613	5639	5663	5689
Operating weight liquid rec. unit (LR)	kg	6395	6458	6497	6523	6551

Notes:(1) Nominal cooling capacity are based on: 12/7 °C entering/leaving evaporator water temperature; 30/35°C entering/leaving condenser water temperature.

Electrical data (HCFC 22, HFC 407C)

WHR unit size (HCFC 22, HFC 407C)		103.2	107.2	113.2	132.2	143.2	162.2	173.2
Standard voltage		400 V - 3f - 50 Hz (1)						
Full load Amps (FLA) comp.1	A	115	115	122	122	155	155	178
Full load Amps (FLA) comp.2	A	115	122	122	155	155	178	178
Full load Amps (FLA) comp.3	A	-	-	-	-	-	-	-
Full load Amps (FLA) comp.4	A	-	-	-	-	-	-	-
Total full load Amps	A	230	237	244	277	310	333	356
Inrush current (2)	A	345	537	537	620	585	620	620
Max inrush current (3)	A	460	652	659	742	740	775	798

WHR unit size (HCFC 22, HFC 407C)		183.2	193.2	211.2	222.2	242.3	252.3	262.3
Standard voltage		400 V - 3f - 50 Hz (1)						
Full load Amps (FLA) comp.1	A	178	178	210	235	178	178	178
Full load Amps (FLA) comp.2	A	210	235	235	235	155	178	210
Full load Amps (FLA) comp.3	A	-	-	-	-	178	178	178
Full load Amps (FLA) comp.4	A	-	-	-	-	-	-	-
Total full load Amps	A	388	413	445	470	511	534	566
Inrush current (2)	A	750	747	747	747	620	620	620
Max inrush current (3)	A	928	925	957	982	953	976	1008

WHR unit size (HCFC 22, HFC 407C)		282.3	292.3	302.3	342.3	371.4	376.4	391.4
Standard voltage		400 V - 3f - 50 Hz (1)						
Full load Amps (FLA) comp.1	A	210	210	210	235	155	178	210
Full load Amps (FLA) comp.2	A	178	210	235	235	235	210	210
Full load Amps (FLA) comp.3	A	210	210	210	235	155	210	210
Full load Amps (FLA) comp.4	A	-	-	-	-	235	210	210
Total full load Amps	A	598	630	655	705	780	808	840
Inrush current (2)	A	750	750	750	747	808	750	750
Max inrush current (3)	A	1138	1170	1195	1217	1352	1348	1380

WHR unit size (HCFC 22, HFC 407C)		396.4	401.4	421.4	431.4	451.4
Standard voltage		400 V - 3f - 50 Hz (1)				
Full load Amps (FLA) comp.1	A	155	210	210	210	235
Full load Amps (FLA) comp.2	A	235	210	235	235	235
Full load Amps (FLA) comp.3	A	210	210	210	235	235
Full load Amps (FLA) comp.4	A	235	235	235	235	235
Total full load Amps	A	835	865	890	915	940
Inrush current (2)	A	747	747	747	747	747
Max inrush current (3)	A	1347	1377	1402	1427	1452

Notes:(1) Allowed voltage tolerance $\pm 10\%$.

(2) Inrush current of the largest compressor.

(3) Absorbed current of compressor n° 1 + (n° 2) + (n° 3) at full load + inrush current of last compressor (n° 4).

Sound pressure level WHR 103.2÷451.4 (HCFC 22, HFC 407C) standard unit

WHR unit size	Sound pressure level at 1 m from the unit in free field (rif. 2×10^{-5})								dBA
	63 Hz	125 Hz	250 Hz	500 Hz	1000 Hz	2000 Hz	4000 Hz	8000 Hz	
103.2	72,0	73,0	76,5	78,0	78,5	75,0	69,0	65,5	82,0
107.2	72,0	73,0	76,5	78,0	78,5	75,0	69,0	65,5	82,0
113.2	72,0	73,0	76,5	78,0	78,5	75,0	69,0	65,5	82,0
132.2	72,0	73,0	76,5	78,0	78,5	75,0	69,0	65,5	82,0
143.2	72,0	73,0	76,5	78,0	78,5	75,0	69,0	65,5	82,0
162.2	73,0	74,0	77,5	79,0	79,5	76,0	70,0	66,5	83,0
173.2	73,0	74,0	77,5	79,0	79,5	76,0	70,0	66,5	83,0
183.2	73,0	74,0	77,5	79,0	79,5	76,0	70,0	66,5	83,0
193.2	73,0	74,0	77,5	79,0	79,5	76,0	70,0	66,5	83,0
211.2	73,0	74,0	77,5	79,0	79,5	76,0	70,0	66,5	83,0
222.2	73,0	74,0	77,5	79,0	79,5	76,0	70,0	66,5	83,0
242.2	74,0	75,0	78,5	80,0	80,5	77,0	71,0	67,5	84,0
252.3	75,0	76,0	79,5	81,0	81,5	78,0	72,0	68,5	85,0
262.3	75,0	76,0	79,5	81,0	81,5	78,0	72,0	68,5	85,0
282.3	75,0	76,0	79,5	81,0	81,5	78,0	72,0	68,5	85,0
292.3	75,0	76,0	79,5	81,0	81,5	78,0	72,0	68,5	85,0
302.3	75,0	76,0	79,5	81,0	81,5	78,0	72,0	68,5	85,0
342.3	75,0	76,0	79,5	81,0	81,5	78,0	72,0	68,5	85,0
371.4	75,5	76,5	80,0	81,5	82,0	78,5	72,5	69,0	85,5
376.4	75,5	76,5	80,0	81,5	82,0	78,5	72,5	69,0	85,5
391.4	75,5	76,5	80,0	81,5	82,0	78,5	72,5	69,0	85,5
396.4	75,5	76,5	80,0	81,5	82,0	78,5	72,5	69,0	85,5
401.4	75,5	76,5	80,0	81,5	82,0	78,5	72,5	69,0	85,5
421.4	76,0	77,0	80,5	82,0	82,5	79,0	73,0	69,5	86,0
431.4	76,0	77,0	80,5	82,0	82,5	79,0	73,0	69,5	86,0
451.4	76,0	77,0	80,5	82,0	82,5	79,0	73,0	69,5	86,0

Sound pressure level WHR 103.2÷451.4 (HCFC 22, HFC 407C) unit with sound proof cabinet

WHR Unit size	Sound pressure level at 1 m from the unit in free field (rif. 2×10^{-5})								dBA
	63 Hz	125 Hz	250 Hz	500 Hz	1000 Hz	2000 Hz	4000 Hz	8000 Hz	
103.2	62,0	63,0	66,5	68,0	68,5	65,0	59,0	55,5	72,0
107.2	62,0	63,0	66,5	68,0	68,5	65,0	59,0	55,5	72,0
113.2	62,0	63,0	66,5	68,0	68,5	65,0	59,0	55,5	72,0
132.2	62,0	63,0	66,5	68,0	68,5	65,0	59,0	55,5	72,0
143.2	62,0	63,0	66,5	68,0	68,5	65,0	59,0	55,5	72,0
162.2	63,0	64,0	67,5	69,0	69,5	66,0	60,0	56,5	73,0
173.2	63,0	64,0	67,5	69,0	69,5	66,0	60,0	56,5	73,0
183.2	63,0	64,0	67,5	69,0	69,5	66,0	60,0	56,5	73,0
193.2	63,0	64,0	67,5	69,0	69,5	66,0	60,0	56,5	73,0
211.2	63,0	64,0	67,5	69,0	69,5	66,0	60,0	56,5	73,0
222.2	63,0	64,0	67,5	69,0	69,5	66,0	60,0	56,5	73,0
242.2	64,0	65,0	68,5	70,0	70,5	67,0	61,0	57,5	74,0
252.3	65,0	66,0	69,5	71,0	71,5	68,0	62,0	58,5	75,0
262.3	65,0	66,0	69,5	71,0	71,5	68,0	62,0	58,5	75,0
282.3	65,0	66,0	69,5	71,0	71,5	68,0	62,0	58,5	75,0
292.3	65,0	66,0	69,5	71,0	71,5	68,0	62,0	58,5	75,0
302.3	65,0	66,0	69,5	71,0	71,5	68,0	62,0	58,5	75,0
342.3	65,0	66,0	69,5	71,0	71,5	68,0	62,0	58,5	75,0
371.4	65,5	66,5	70,0	71,5	72,0	68,5	62,5	59,0	75,5
376.4	65,5	66,5	70,0	71,5	72,0	68,5	62,5	59,0	75,5
391.4	65,5	66,5	70,0	71,5	72,0	68,5	62,5	59,0	75,5
396.4	65,5	66,5	70,0	71,5	72,0	68,5	62,5	59,0	75,5
401.4	65,5	66,5	70,0	71,5	72,0	68,5	62,5	59,0	75,5
421.4	66,0	67,0	70,5	72,0	72,5	69,0	63,0	59,5	76,0
431.4	66,0	67,0	70,5	72,0	72,5	69,0	63,0	59,5	76,0
451.4	66,0	67,0	70,5	72,0	72,5	69,0	63,0	59,5	76,0

Standard ratings WHR 103.2÷211.2 (HCFC 22)

Unit size	Evap. leaving water temp. °C	ENTERING CONDENSER WATER TEMPERATURE - °C													
		25		28		30		35		37		40		45	
		Cooling cap. kW	Power input kW	Cooling cap. kW	Power input kW	Cooling cap. kW	Power input kW	Cooling cap. kW	Power input kW	Cooling cap. kW	Power input kW	Cooling cap. kW	Power input kW	Cooling cap. kW	Power input kW
WHR 103.2	4	321,6	75,9	313,0	79,3	307,2	81,6	292,3	87,2	286,2	89,4	276,8	92,5	263,7	97,2
	5	332,3	76,8	323,6	80,2	317,6	82,6	302,6	88,3	296,4	90,5	286,8	93,7	272,5	98,6
	6	342,9	77,6	334,2	81,2	328,2	83,6	312,8	89,4	306,5	91,6	296,7	95,0	281,1	99,9
	7	353,6	78,4	344,7	82,1	338,7	84,5	323,2	90,4	316,7	92,7	306,8	96,1	289,9	101,3
	8	364,2	79,2	355,3	82,9	349,1	85,4	333,5	91,4	327,0	93,8	316,9	97,3	298,8	102,6
9	374,7	79,8	365,8	83,7	359,7	86,3	343,8	92,4	337,2	94,8	327,0	98,4	307,6	103,9	
WHR 107.2	4	347,6	82,3	338,2	86,0	331,8	88,4	315,7	94,4	309,1	96,8	299,2	100,1	284,7	105,1
	5	359,0	83,2	349,5	87,0	343,1	89,5	326,7	95,6	319,9	97,9	309,7	101,7	294,1	106,6
	6	370,6	84,0	361,1	87,9	354,5	90,5	337,8	96,8	330,9	99,1	320,4	102,7	303,5	108,0
	7	382,1	84,9	372,5	88,9	365,8	91,5	348,8	97,9	341,9	100,3	331,2	103,9	313,0	109,5
	8	393,8	85,6	384,0	89,7	377,4	92,4	360,0	99,0	352,9	101,4	342,0	105,1	322,5	110,9
9	405,5	86,4	395,4	90,6	388,7	93,4	371,2	100,0	363,9	102,5	353,0	106,3	332,2	112,3	
WHR 113.2	4	373,6	87,7	363,7	91,6	356,9	95,2	339,8	101,6	332,8	104,1	322,1	107,8	306,0	113,1
	5	385,7	88,7	375,7	92,7	368,9	96,4	351,4	102,9	344,2	105,5	333,2	109,2	316,1	114,7
	6	397,9	89,7	387,8	93,8	380,8	97,5	363,1	104,2	355,7	106,8	344,5	110,6	326,2	116,2
	7	410,0	90,6	399,7	94,8	392,8	98,6	374,7	105,4	367,4	108,1	355,9	111,8	336,3	117,8
	8	422,1	91,5	411,8	95,8	404,7	99,7	386,5	106,6	379,0	109,3	367,3	113,1	346,6	119,4
9	434,2	92,3	423,7	96,7	416,6	100,7	398,1	107,8	390,5	110,5	378,7	114,4	356,9	120,9	
WHR 132.2	4	428,8	99,7	417,3	104,1	409,5	108,3	389,8	115,4	381,7	118,2	369,5	122,3	350,4	128,6
	5	442,7	101,0	431,0	105,4	423,1	109,7	402,9	117,0	394,6	119,8	382,1	123,9	362,0	130,4
	6	456,7	102,2	444,8	106,8	436,7	111,2	416,1	118,5	407,6	121,4	394,8	125,6	373,6	132,2
	7	470,8	103,5	458,7	108,2	450,4	112,6	429,4	120,1	420,7	122,9	407,6	127,2	385,2	134,1
	8	484,8	104,7	472,6	109,5	464,2	114,0	442,7	121,5	434,0	124,5	420,4	128,8	396,9	135,8
9	498,9	105,9	486,4	110,8	478,0	115,3	456,1	123,1	447,1	126,0	433,4	130,4	408,8	137,5	
WHR 143.2	4	484,5	113,4	471,8	118,2	463,3	121,5	441,6	129,4	432,7	132,5	419,3	137,1	396,2	144,5
	5	499,8	115,0	486,8	120,0	478,1	123,2	455,9	131,3	446,9	134,4	433,1	139,1	409,3	146,5
	6	515,1	116,5	501,9	121,6	493,0	125,0	470,4	133,1	461,1	136,3	447,0	140,9	422,4	148,5
	7	530,3	118,1	517,0	123,3	508,0	126,7	485,0	134,9	475,4	138,2	460,9	142,9	435,6	150,6
	8	545,6	119,6	532,1	124,9	523,0	128,4	499,5	136,7	489,9	140,0	475,0	144,8	448,8	152,6
9	560,7	121,1	547,2	126,5	537,9	130,0	514,0	138,5	504,2	141,8	489,1	146,6	462,2	154,5	
WHR 162.2	4	523,2	123,0	509,5	128,2	500,3	131,8	476,9	140,3	467,3	143,7	452,8	148,7	427,9	156,7
	5	539,7	124,7	525,7	130,1	516,4	133,6	492,4	142,3	482,6	145,8	467,7	150,8	442,1	158,9
	6	556,3	126,4	542,0	131,9	532,4	135,5	508,0	144,4	498,0	147,8	482,7	152,8	456,2	161,0
	7	572,7	128,1	558,3	133,7	548,6	137,4	523,7	146,3	513,4	149,9	497,8	154,9	470,4	163,3
	8	589,2	129,7	574,6	135,4	564,8	139,2	539,5	148,3	529,0	151,8	512,9	157,0	484,8	165,4
9	605,6	131,4	591,0	137,2	580,8	141,0	555,1	150,2	544,5	153,8	528,2	158,9	499,2	167,4	
WHR 173.2	4	561,9	132,5	547,2	138,1	537,3	141,9	512,2	151,1	501,9	154,8	486,3	160,2	459,6	168,8
	5	579,6	134,3	564,7	140,2	554,6	143,9	528,8	153,3	518,3	157,0	502,3	162,4	474,8	171,2
	6	597,4	136,1	582,1	142,1	571,8	146,0	545,5	155,5	534,9	159,2	518,5	164,6	490,0	173,5
	7	615,1	138,0	599,6	144,0	589,2	148,0	562,5	157,6	551,4	161,4	534,6	166,9	505,2	175,9
	8	632,8	139,7	617,2	145,9	606,6	149,9	579,4	159,7	568,2	163,5	550,9	169,1	520,6	178,2
9	650,4	141,5	634,7	147,7	623,8	151,9	596,2	161,8	584,8	165,6	567,3	171,2	536,1	180,4	
WHR 183.2	4	603,9	141,9	588,1	147,9	577,4	152,0	550,4	161,8	539,4	165,7	522,6	171,5	493,8	180,7
	5	622,9	143,9	606,8	150,1	596,0	154,2	568,3	164,2	557,0	168,2	539,8	174,0	510,2	183,3
	6	642,1	145,8	625,6	152,2	614,5	156,3	586,3	166,5	574,8	170,5	557,2	176,3	526,5	185,7
	7	661,0	147,7	644,4	154,3	633,2	158,5	604,5	168,8	592,6	172,9	574,5	178,7	542,9	188,3
	8	680,0	149,6	663,2	156,2	651,9	160,6	622,6	171,1	610,6	175,1	592,0	181,1	559,4	190,8
9	699,0	151,5	682,1	158,2	670,4	162,7	640,7	173,2	628,5	177,4	609,7	183,4	576,1	193,2	
WHR 193.2	4	646,0	151,2	629,0	157,6	617,7	162,0	588,7	172,5	576,9	176,6	559,0	182,8	528,3	192,7
	5	666,3	153,3	649,1	159,9	637,5	164,3	607,9	175,0	595,8	179,2	577,4	185,4	545,7	195,4
	6	686,8	155,3	669,1	162,2	657,3	166,6	627,1	177,5	614,8	181,7	596,0	187,9	563,2	198,0
	7	707,0	157,4	689,3	164,4	677,3	168,9	646,6	179,9	633,9	184,2	614,5	190,5	580,7	200,8
	8	727,4	159,5	709,4	166,5	697,3	171,1	666,0	182,3	653,1	186,6	633,3	193,0	598,4	203,4
9	747,6	161,5	729,6	168,6	717,1	173,3	685,4	184,6	672,3	189,0	652,1	195,4	616,2	205,9	
WHR 211.2	4	697,7	163,9	679,4	170,9	667,1	175,6	635,8	187,0	623,1	191,5	603,7	198,1	570,5	208,8
	5	719,6	166,2	701,0	173,4	688,5	178,1	656,5	189,7	643,5	194,3	623,7	201,0	589,4	211,8
	6	741,7	168,4	722,7	175,8	710,0	180,6	677,3	192,4	664,0	197,0	643,7	203,7	608,3	214,6
	7	763,6	170,7	744,4	178,2	731,5	183,1	698,3	195,0	684,6	199,7	663,7	206,5	627,2	217,6
	8	785,6	172,9	766,2	180,5	753,0	185,5	719,3	197,6	705,4	202,3	683,9	209,2	646,3	220,5
9	807,5	175,1	788,0	182,8	774,5	187,9	740,2	200,1	726,1	204,9	704,3	211,8	665,6	223,2	

Standard ratings WHR 222.2÷376.4 (HCFC 22)

Unit size	Evap. leaving water temp. °C	ENTERING CONDENSER WATER TEMPERATURE - ° C													
		25		28		30		35		37		40		45	
		Cooling cap. kW	Power input kW	Cooling cap. kW	Power input kW	Cooling cap. kW	Power input kW	Cooling cap. kW	Power input kW	Cooling cap. kW	Power input kW	Cooling cap. kW	Power input kW	Cooling cap. kW	Power input kW
WHR 222.2	4	749,3	176,5	729,7	184,0	716,5	189,1	683,0	201,4	669,3	206,2	648,5	213,4	612,8	224,9
	5	773,0	179,0	753,0	186,7	739,5	191,8	705,2	204,3	691,1	209,2	669,9	216,4	633,1	228,1
	6	796,7	181,3	776,2	189,3	762,6	194,5	727,5	207,2	713,2	212,2	691,4	219,3	653,4	231,1
	7	820,2	183,8	799,6	191,9	785,7	197,2	750,1	210,0	735,3	215,1	712,9	222,4	673,7	234,4
	8	843,8	186,2	823,0	194,4	808,8	199,8	772,6	212,8	757,6	217,9	734,6	225,3	694,2	237,5
9	867,3	188,5	846,4	196,9	831,9	202,4	795,1	215,5	779,9	220,7	756,5	228,1	714,9	240,4	
WHR 242.3	4	804,2	189,2	783,1	197,3	768,9	202,7	732,9	215,9	718,3	221,0	695,9	228,8	657,7	241,1
	5	829,5	191,9	808,1	200,2	793,7	205,6	756,8	219,0	741,7	224,3	718,9	232,0	679,4	244,5
	6	855,0	194,4	833,0	203,0	818,4	208,5	780,7	222,1	765,4	227,4	742,0	235,1	701,3	247,8
	7	880,2	197,1	858,1	205,7	843,2	211,4	804,9	225,1	789,1	230,6	765,1	238,4	723,0	251,3
	8	905,5	199,6	883,2	208,4	868,0	214,2	829,2	228,2	813,1	233,6	788,4	241,5	745,1	254,5
9	930,8	202,1	908,3	211,0	892,7	216,9	853,2	231,0	836,9	236,6	811,8	244,5	767,2	257,7	
WHR 252.3	4	842,8	198,7	820,7	207,2	805,9	212,9	768,1	226,7	752,8	232,1	729,4	240,2	689,3	253,2
	5	869,4	201,5	846,9	210,2	831,8	215,9	793,1	230,0	777,3	235,5	753,4	243,6	712,0	256,8
	6	896,1	204,2	873,1	213,1	857,7	219,0	818,2	233,3	802,2	238,8	777,6	246,9	734,9	260,2
	7	922,5	206,9	899,3	216,1	883,7	222,0	843,6	236,4	827,0	242,1	801,8	250,4	757,8	263,9
	8	949,0	209,6	925,6	218,8	909,7	224,9	869,0	239,6	852,1	245,3	826,3	253,6	780,7	267,4
9	975,5	212,3	951,9	221,6	935,6	227,8	894,2	242,6	877,1	248,5	850,8	256,8	804,0	270,7	
WHR 262.3	4	884,9	208,1	861,7	217,0	846,1	223,0	806,5	237,4	790,3	243,1	765,8	251,6	723,6	265,2
	5	912,8	211,0	889,2	220,2	873,3	226,1	832,7	240,9	816,1	246,7	791,0	255,2	747,5	268,9
	6	940,8	213,8	916,6	223,2	900,5	229,3	859,1	244,3	842,2	250,1	816,4	258,6	771,6	272,5
	7	968,5	216,7	944,2	226,3	927,8	232,5	885,7	247,6	868,3	253,6	841,8	262,2	795,5	276,3
	8	996,4	219,5	971,8	229,2	955,1	235,5	912,3	250,9	894,7	256,9	867,5	265,6	819,7	280,0
9	1.024,1	222,3	999,4	232,1	982,3	238,6	938,8	254,1	920,9	260,2	893,3	269,0	844,1	283,4	
WHR 282.3	4	926,9	217,4	902,6	226,7	886,3	232,9	844,8	248,0	827,9	254,0	802,2	262,8	758,1	277,0
	5	956,1	220,5	931,4	230,0	914,8	236,3	872,3	251,6	854,9	257,7	828,6	266,6	783,0	280,9
	6	985,5	223,4	960,2	233,2	943,3	239,6	899,9	255,2	882,3	261,3	855,2	270,2	808,2	284,7
	7	1.014,6	226,4	989,1	236,4	971,9	242,9	927,8	258,7	909,6	264,9	881,8	273,9	833,3	288,7
	8	1.043,8	229,3	1.018,0	239,4	1.000,5	246,1	955,7	262,1	937,2	268,4	908,7	277,5	858,7	292,4
9	1.072,8	232,2	1.046,9	242,5	1.029,0	249,3	983,5	265,5	964,7	271,8	935,8	281,0	884,3	296,1	
WHR 292.3	4	969,0	226,8	943,6	236,5	926,5	243,0	883,1	258,7	865,5	265,0	838,6	274,2	792,4	289,0
	5	999,5	230,0	973,7	240,0	956,3	246,5	911,9	262,5	893,7	268,9	866,2	278,1	818,6	293,1
	6	1.030,2	233,0	1.003,8	243,3	986,1	249,9	940,7	266,3	922,3	272,6	894,0	281,9	844,9	297,0
	7	1.060,6	236,2	1.034,0	246,6	1.016,0	253,4	969,9	269,9	950,9	276,4	921,8	285,8	871,2	301,2
	8	1.091,1	239,2	1.064,2	249,8	1.045,9	256,7	999,1	273,5	979,7	280,0	949,9	289,5	897,7	305,2
9	1.121,5	242,3	1.094,4	253,0	1.075,7	260,0	1.028,1	276,9	1.008,4	283,6	978,2	293,1	924,4	308,9	
WHR 302.3	4	1.020,7	239,4	993,9	249,7	975,9	256,5	930,3	273,1	911,6	279,7	883,3	289,5	834,8	305,1
	5	1.052,8	242,8	1.025,6	253,3	1.007,3	260,2	960,5	277,1	941,4	283,8	912,4	293,6	862,3	309,4
	6	1.085,2	246,0	1.057,3	256,8	1.038,7	263,8	990,9	281,1	971,5	287,8	941,7	297,5	889,9	313,5
	7	1.117,2	249,4	1.089,1	260,3	1.070,2	267,5	1.021,6	284,9	1.001,6	291,7	971,0	301,7	917,7	318,0
	8	1.149,3	252,6	1.121,0	263,7	1.101,7	271,0	1.052,4	288,7	1.032,0	295,6	1.000,6	305,6	945,6	322,1
9	1.181,3	255,8	1.152,8	267,0	1.133,1	274,5	1.082,9	292,4	1.062,2	299,4	1.030,4	309,4	973,7	326,1	
WHR 342.3	4	1.124,0	264,8	1.094,5	276,1	1.074,7	283,7	1.024,4	302,0	1.003,9	309,3	972,7	320,1	919,2	337,4
	5	1.159,4	268,5	1.129,4	280,1	1.109,2	287,7	1.057,7	306,4	1.036,7	313,8	1.004,8	324,6	949,6	342,1
	6	1.195,0	272,0	1.164,3	284,0	1.143,8	291,8	1.091,2	310,8	1.069,8	318,2	1.037,0	329,0	980,0	346,7
	7	1.230,2	275,7	1.199,4	287,9	1.178,5	295,8	1.125,0	315,0	1.102,9	322,6	1.069,3	333,6	1.010,5	351,6
	8	1.265,6	279,3	1.234,4	291,6	1.213,2	299,7	1.158,9	319,2	1.136,4	326,8	1.101,9	338,0	1.041,3	356,2
9	1.300,9	282,8	1.269,5	295,3	1.247,8	303,6	1.192,5	323,3	1.169,7	331,0	1.134,7	342,2	1.072,3	360,6	
WHR 371.4	4	1.233,8	289,9	1.201,5	302,3	1.179,8	310,6	1.124,5	330,7	1.102,0	338,7	1.067,8	350,5	1.009,1	369,4
	5	1.272,7	294,0	1.239,8	306,7	1.217,7	315,0	1.161,1	335,5	1.138,0	343,7	1.103,0	355,5	1.042,4	374,6
	6	1.311,8	297,9	1.278,1	311,0	1.255,6	319,5	1.197,9	340,3	1.174,4	348,5	1.138,4	360,3	1.075,8	379,6
	7	1.350,5	301,9	1.316,6	315,2	1.293,7	323,9	1.235,0	345,0	1.210,8	353,3	1.173,8	365,3	1.109,3	385,0
	8	1.389,4	305,8	1.355,1	319,3	1.331,8	328,1	1.272,1	349,6	1.247,5	357,9	1.209,6	370,1	1.143,0	390,0
9	1.428,0	309,7	1.393,6	323,3	1.369,7	332,4	1.309,1	354,0	1.284,1	362,5	1.245,6	374,7	1.177,1	394,9	
WHR 376.4	4	1.249,6	293,1	1.216,8	305,6	1.194,8	314,0	1.138,9	334,3	1.116,1	342,3	1.081,4	354,3	1.022,0	373,4
	5	1.289,0	297,2	1.255,6	310,0	1.233,2	318,4	1.175,9	339,2	1.152,5	347,4	1.117,0	359,3	1.055,7	378,6
	6	1.328,5	301,1	1.294,4	314,3	1.271,6	322,9	1.213,1	344,0	1.189,4	352,2	1.152,9	364,2	1.089,6	383,7
	7	1.367,7	305,2	1.333,4	318,6	1.310,2	327,4	1.250,8	348,7	1.226,2	357,1	1.188,8	369,2	1.123,4	389,1
	8	1.407,1	309,1	1.372,4	322,7	1.348,8	331,7	1.288,4	353,3	1.263,4	361,7	1.225,0	374,1	1.157,7	394,2
9	1.446,2	313,0	1.411,4	326,8	1.387,2	336,0	1.325,8	357,8	1.300,5	366,4	1.261,5	378,7	1.192,2	399,1	

Standard ratings WHR 391.4÷451.4 (HCFC 22)

Unit size	Evap. leaving water temp. °C	ENTERING CONDENSER WATER TEMPERATURE - ° C													
		25		28		30		35		37		40		45	
		Cooling cap. kW	Power input kW	Cooling cap. kW	Power input kW	Cooling cap. kW	Power input kW	Cooling cap. kW	Power input kW	Cooling cap. kW	Power input kW	Cooling cap. kW	Power input kW	Cooling cap. kW	Power input kW
WHR 391.4	4	1.292,0	302,4	1.258,2	315,3	1.235,4	323,9	1.177,6	344,9	1.154,0	353,2	1.118,1	365,5	1.056,6	385,2
	5	1.332,7	306,6	1.298,3	319,9	1.275,1	328,6	1.215,8	349,9	1.191,7	358,4	1.155,0	370,7	1.091,5	390,6
	6	1.373,6	310,6	1.338,4	324,3	1.314,8	333,2	1.254,3	354,9	1.229,7	363,4	1.192,1	375,7	1.126,5	395,9
	7	1.414,2	314,9	1.378,7	328,7	1.354,7	337,8	1.293,2	359,8	1.267,8	368,4	1.229,1	380,9	1.161,6	401,5
	8	1.454,9	318,9	1.419,0	333,0	1.394,6	342,2	1.332,1	364,6	1.306,3	373,2	1.266,6	385,9	1.196,8	406,7
	9	1.495,4	323,0	1.459,3	337,2	1.434,3	346,7	1.370,8	369,2	1.344,6	378,1	1.304,3	390,8	1.232,6	411,7
WHR 396.4	4	1.314,5	308,8	1.280,1	322,0	1.256,9	330,8	1.198,1	352,3	1.174,1	360,7	1.137,6	373,3	1.075,1	393,5
	5	1.356,0	313,1	1.320,9	326,7	1.297,3	335,6	1.237,0	357,4	1.212,4	366,0	1.175,1	378,6	1.110,5	399,0
	6	1.397,6	317,3	1.361,7	331,2	1.337,7	340,3	1.276,2	362,5	1.251,2	371,2	1.212,8	383,7	1.146,2	404,4
	7	1.438,8	321,6	1.402,7	335,8	1.378,3	345,0	1.315,8	367,4	1.289,9	376,3	1.250,6	389,1	1.181,9	410,1
	8	1.480,2	325,7	1.443,7	340,1	1.418,9	349,5	1.355,3	372,3	1.329,1	381,2	1.288,7	394,2	1.217,9	415,4
	9	1.521,4	329,9	1.484,7	344,4	1.459,3	354,0	1.394,7	377,1	1.368,0	386,1	1.327,0	399,1	1.254,2	420,6
WHR 401.4	4	1.343,6	315,1	1.308,4	328,5	1.284,7	337,6	1.224,6	359,4	1.200,1	368,1	1.162,8	380,9	1.098,8	401,5
	5	1.386,0	319,5	1.350,1	333,3	1.326,0	342,4	1.264,4	364,6	1.239,2	373,5	1.201,1	386,3	1.135,1	407,1
	6	1.428,5	323,7	1.391,8	338,0	1.367,3	347,2	1.304,4	369,9	1.278,9	378,7	1.239,7	391,5	1.171,5	412,6
	7	1.470,6	328,1	1.433,7	342,6	1.408,8	352,0	1.344,9	374,9	1.318,5	383,9	1.278,2	397,0	1.208,0	418,4
	8	1.513,0	332,3	1.475,7	347,0	1.450,3	356,6	1.385,3	379,9	1.358,5	388,9	1.317,2	402,2	1.244,7	423,9
	9	1.555,1	336,5	1.517,6	351,4	1.491,6	361,2	1.425,6	384,7	1.398,3	393,9	1.356,4	407,2	1.281,8	429,1
WHR 421.4	4	1.395,3	327,7	1.358,7	341,7	1.334,2	351,1	1.271,7	373,8	1.246,2	382,8	1.207,5	396,2	1.141,1	417,6
	5	1.439,3	332,3	1.402,1	346,7	1.377,0	356,1	1.313,0	379,2	1.286,9	388,4	1.247,3	401,8	1.178,8	423,4
	6	1.483,5	336,7	1.445,4	351,5	1.419,9	361,1	1.354,6	384,7	1.328,1	393,9	1.287,4	407,2	1.216,6	429,1
	7	1.527,2	341,3	1.488,9	356,3	1.463,0	366,1	1.396,6	389,9	1.369,2	399,3	1.327,4	412,9	1.254,5	435,2
	8	1.571,2	345,6	1.532,4	360,9	1.506,1	370,9	1.438,6	395,1	1.410,8	404,5	1.367,9	418,3	1.292,6	440,9
	9	1.614,9	350,0	1.576,0	365,5	1.549,0	375,7	1.480,4	400,1	1.452,1	409,7	1.408,6	423,5	1.331,2	446,3
WHR 431.4	4	1.447,0	340,4	1.409,1	354,9	1.383,6	364,7	1.318,8	388,3	1.292,4	397,6	1.252,2	411,5	1.183,4	433,8
	5	1.492,6	345,2	1.454,0	360,1	1.428,0	369,9	1.361,7	394,0	1.334,6	403,5	1.293,5	417,4	1.222,4	439,8
	6	1.538,4	349,7	1.498,9	365,1	1.472,5	375,1	1.404,8	399,6	1.377,3	409,1	1.335,1	423,0	1.261,7	445,7
	7	1.583,8	354,5	1.544,1	370,1	1.517,2	380,3	1.448,4	405,0	1.419,9	414,8	1.376,6	428,9	1.301,0	452,0
	8	1.629,4	359,1	1.589,2	374,9	1.561,9	385,3	1.491,9	410,4	1.463,0	420,2	1.418,6	434,5	1.340,6	457,9
	9	1.674,7	363,6	1.634,3	379,6	1.606,4	390,3	1.535,3	415,6	1.505,9	425,6	1.460,8	439,9	1.380,4	463,6
WHR 451.4	4	1.498,7	353,0	1.459,4	368,1	1.433,0	378,2	1.365,9	402,7	1.338,6	412,4	1.297,0	426,8	1.225,7	449,8
	5	1.545,9	358,0	1.505,9	373,5	1.479,1	383,6	1.410,3	408,6	1.382,3	418,5	1.339,7	432,9	1.266,1	456,2
	6	1.593,4	362,7	1.552,5	378,7	1.525,1	389,0	1.455,0	414,4	1.426,5	424,3	1.382,7	438,7	1.306,7	462,3
	7	1.640,4	367,6	1.599,2	383,8	1.571,4	394,4	1.500,1	420,0	1.470,6	430,2	1.425,8	444,8	1.347,5	468,8
	8	1.687,6	372,4	1.646,0	388,8	1.617,7	399,6	1.545,2	425,7	1.515,3	435,8	1.469,2	450,6	1.388,4	474,9
	9	1.734,6	377,1	1.692,7	393,7	1.663,7	404,7	1.590,1	431,1	1.559,7	441,4	1.513,0	456,2	1.429,8	480,8

Standard ratings WHR 103.2÷211.2 (HFC 407C)

Unit size	Evap. leaving water temp. °C	ENTERING CONDENSER WATER TEMPERATURE - ° C									
		25		30		32		35		40	
		Cooling capacity kW	Power input kW	Cooling capacity kW	Power input kW	Cooling capacity kW	Power input kW	Cooling capacity kW	Power input kW	Cooling capacity kW	Power input kW
WHR 103.2	4	298,0	81,6	283,5	87,2	277,6	89,4	268,5	92,5	255,8	97,2
	5	308,1	82,6	293,5	88,3	287,5	90,5	278,2	93,7	264,3	98,6
	6	318,3	83,6	303,5	89,4	297,3	91,6	287,8	95,0	272,7	99,9
	7	328,5	84,5	313,5	90,4	307,2	92,7	297,6	96,1	281,2	101,3
	8	338,7	85,4	323,5	91,4	317,2	93,8	307,4	97,3	289,8	102,6
9	348,9	86,3	333,5	92,4	327,1	94,8	317,2	98,4	298,4	103,9	
WHR 107.2	4	321,8	88,4	306,2	94,4	299,9	96,8	290,3	100,1	276,2	105,1
	5	332,8	89,5	316,9	95,6	310,3	97,9	300,4	101,7	285,3	106,6
	6	343,8	90,5	327,6	96,8	321,0	99,1	310,8	102,7	294,4	108,0
	7	354,8	91,5	338,4	97,9	331,6	100,3	321,2	103,9	303,6	109,5
	8	366,1	92,4	349,2	99,0	342,3	101,4	331,7	105,1	312,8	110,9
9	377,0	93,4	360,1	100,0	353,0	102,5	342,4	106,3	322,2	112,3	
WHR 113.2	4	346,2	95,2	329,6	101,6	322,8	104,1	312,4	107,8	296,8	113,1
	5	357,8	96,4	340,9	102,9	333,9	105,5	323,2	109,2	306,6	114,7
	6	369,3	97,5	352,2	104,2	345,1	106,8	334,2	110,6	316,4	116,2
	7	381,0	98,6	363,4	105,4	356,4	108,1	345,2	111,8	326,2	117,8
	8	392,5	99,7	374,9	106,6	367,6	109,3	356,3	113,1	336,2	119,4
9	404,1	100,7	386,2	107,8	378,8	110,5	367,4	114,4	346,2	120,9	
WHR 132.2	4	397,2	108,3	378,1	115,4	370,2	118,2	358,5	122,3	339,9	128,6
	5	410,4	109,7	390,8	117,0	382,8	119,8	370,7	123,9	351,1	130,4
	6	423,6	111,2	403,6	118,5	395,4	121,4	382,9	125,6	362,4	132,2
	7	436,9	112,6	416,5	120,1	408,1	122,9	395,3	127,2	373,6	134,1
	8	450,2	114,0	429,5	121,5	420,9	124,5	407,8	128,8	385,0	135,8
9	463,7	115,3	442,4	123,1	433,7	126,0	420,4	130,4	396,5	137,5	
WHR 143.2	4	449,4	121,5	428,3	129,4	419,7	132,5	406,7	137,1	384,3	144,5
	5	463,8	123,2	442,3	131,3	433,5	134,4	420,1	139,1	397,0	146,5
	6	478,2	125,0	456,3	133,1	447,3	136,3	433,6	140,9	409,7	148,5
	7	492,8	126,7	470,4	134,9	461,2	138,2	447,1	142,9	422,5	150,6
	8	507,3	128,4	484,5	136,7	475,2	140,0	460,7	144,8	435,3	152,6
9	521,7	130,0	498,6	138,5	489,1	141,8	474,4	146,6	448,3	154,5	
WHR 162.2	4	485,3	131,8	462,6	140,3	453,3	143,7	439,2	148,7	415,1	156,7
	5	500,9	133,6	477,6	142,3	468,1	145,8	453,7	150,8	428,8	158,9
	6	516,5	135,5	492,7	144,4	483,1	147,8	468,3	152,8	442,5	161,0
	7	532,1	137,4	508,0	146,3	498,0	149,9	482,8	154,9	456,3	163,3
	8	547,8	139,2	523,3	148,3	513,1	151,8	497,5	157,0	470,2	165,4
9	563,4	141,0	538,5	150,2	528,2	153,8	512,4	158,9	484,2	167,4	
WHR 173.2	4	521,2	141,9	496,8	151,1	486,8	154,8	471,7	160,2	445,8	168,8
	5	537,9	143,9	512,9	153,3	502,7	157,0	487,3	162,4	460,5	171,2
	6	554,7	146,0	529,2	155,5	518,8	159,2	502,9	164,6	475,3	173,5
	7	571,5	148,0	545,6	157,6	534,9	161,4	518,6	166,9	490,0	175,9
	8	588,4	149,9	562,0	159,7	551,1	163,5	534,4	169,1	505,0	178,2
9	605,1	151,9	578,3	161,8	567,3	165,6	550,3	171,2	520,0	180,4	
WHR 183.2	4	560,1	152,0	533,9	161,8	523,2	165,7	506,9	171,5	479,0	180,7
	5	578,1	154,2	551,2	164,2	540,3	168,2	523,7	174,0	494,9	183,3
	6	596,1	156,3	568,7	166,5	557,6	170,5	540,5	176,3	510,7	185,7
	7	614,2	158,5	586,3	168,8	574,8	172,9	557,3	178,7	526,6	188,3
	8	632,3	160,6	604,0	171,1	592,3	175,1	574,3	181,1	542,6	190,8
9	650,3	162,7	621,5	173,2	609,6	177,4	591,4	183,4	558,8	193,2	
WHR 193.2	4	599,1	162,0	571,1	172,5	559,6	176,6	542,2	182,8	512,4	192,7
	5	618,4	164,3	589,6	175,0	577,9	179,2	560,1	185,4	529,3	195,4
	6	637,6	166,6	608,3	177,5	596,4	181,7	578,1	187,9	546,3	198,0
	7	657,0	168,9	627,2	179,9	614,9	184,2	596,1	190,5	563,3	200,8
	8	676,3	171,1	646,0	182,3	633,5	186,6	614,3	193,0	580,4	203,4
9	695,6	173,3	664,8	184,6	652,1	189,0	632,5	195,4	597,7	205,9	
WHR 211.2	4	647,1	175,6	616,8	187,0	604,4	191,5	585,6	198,1	553,4	208,8
	5	667,9	178,1	636,8	189,7	624,2	194,3	604,9	201,0	571,7	211,8
	6	688,7	180,6	657,0	192,4	644,1	197,0	624,4	203,7	590,0	214,6
	7	709,6	183,1	677,4	195,0	664,1	199,7	643,8	206,5	608,4	217,6
	8	730,5	185,5	697,7	197,6	684,2	202,3	663,4	209,2	626,9	220,5
9	751,3	187,9	718,0	200,1	704,3	204,9	683,2	211,8	645,6	223,2	

Standard ratings WHR 222.2÷376.4 (HFC 407C)

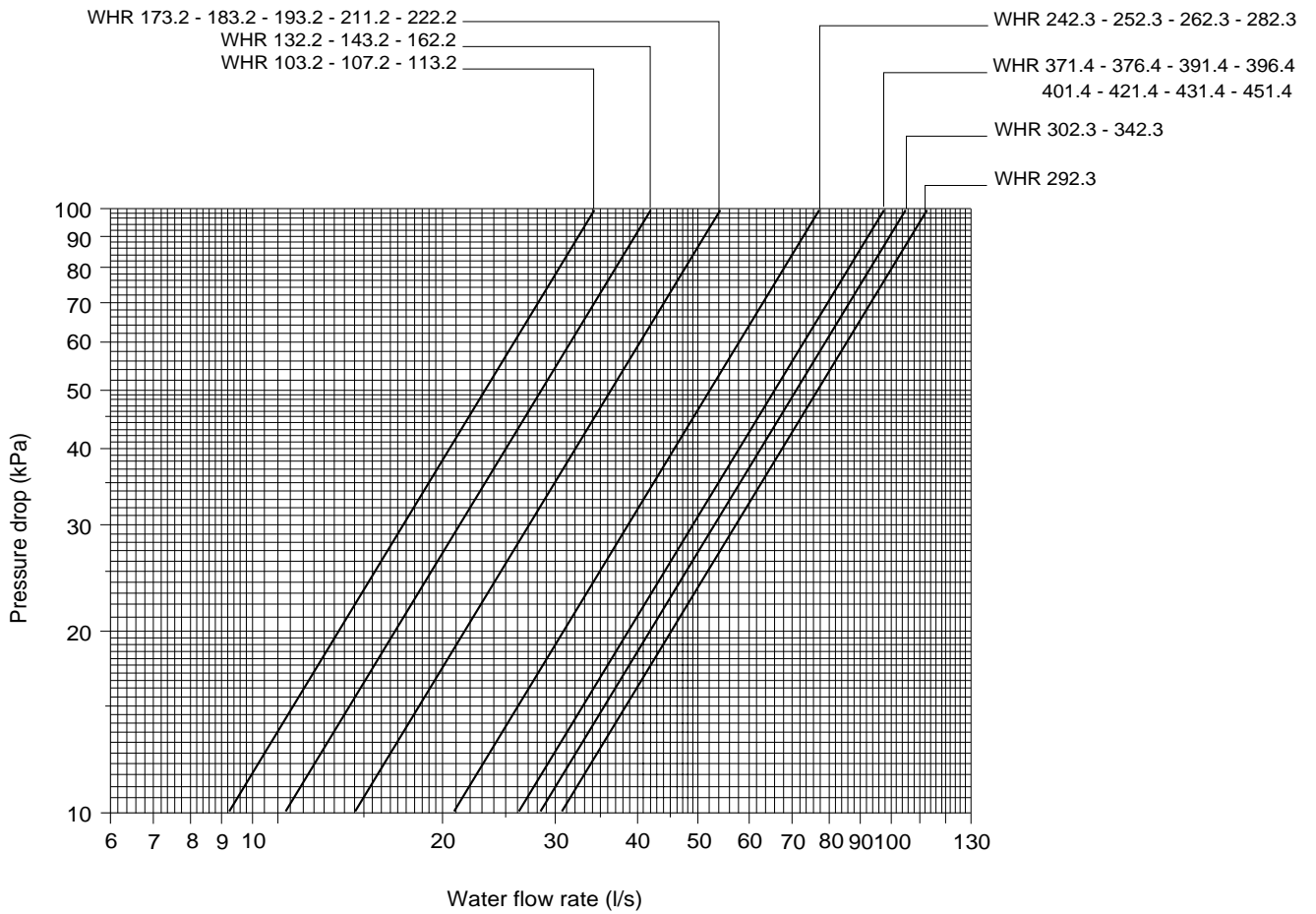
Unit size	Evap. leaving water temp. °C	ENTERING CONDENSER WATER TEMPERATURE - ° C									
		25		30		32		35		40	
		Cooling capacity kW	Power input kW	Cooling capacity kW	Power input kW	Cooling capacity kW	Power input kW	Cooling capacity kW	Power input kW	Cooling capacity kW	Power input kW
WHR 222.2	4	695,0	189,1	662,5	201,4	649,2	206,2	629,0	213,4	594,4	224,9
	5	717,3	191,8	684,0	204,3	670,4	209,2	649,8	216,4	614,1	228,1
	6	739,7	194,5	705,7	207,2	691,8	212,2	670,6	219,3	633,8	231,1
	7	762,1	197,2	727,5	210,0	713,3	215,1	691,5	222,4	653,5	234,4
	8	784,6	199,8	749,4	212,8	734,9	217,9	712,6	225,3	673,4	237,5
9	806,9	202,4	771,2	215,5	756,5	220,7	733,8	228,1	693,4	240,4	
WHR 242.3	4	745,9	202,7	711,0	215,9	696,7	221,0	675,1	228,8	638,0	241,1
	5	769,8	205,6	734,1	219,0	719,5	224,3	697,3	232,0	659,0	244,5
	6	793,8	208,5	757,3	222,1	742,5	227,4	719,7	235,1	680,2	247,8
	7	817,9	211,4	780,8	225,1	765,5	230,6	742,1	238,4	701,3	251,3
	8	842,0	214,2	804,3	228,2	788,7	233,6	764,7	241,5	722,7	254,5
9	866,0	216,9	827,6	231,0	811,8	236,6	787,5	244,5	744,2	257,7	
WHR 252.3	4	781,7	212,9	745,1	226,7	730,2	232,1	707,5	240,2	668,6	253,2
	5	806,8	215,9	769,3	230,0	754,0	235,5	730,8	243,6	690,6	256,8
	6	831,9	219,0	793,7	233,3	778,1	238,8	754,3	246,9	712,8	260,2
	7	857,2	222,0	818,3	236,4	802,2	242,1	777,7	250,4	735,0	263,9
	8	882,4	224,9	842,9	239,6	826,6	245,3	801,5	253,6	757,3	267,4
9	907,6	227,8	867,4	242,6	850,8	248,5	825,3	256,8	779,9	270,7	
WHR 262.3	4	820,7	223,0	782,3	237,4	766,6	243,1	742,8	251,6	701,9	265,2
	5	847,1	226,1	807,7	240,9	791,7	246,7	767,3	255,2	725,1	268,9
	6	873,5	229,3	833,3	244,3	817,0	250,1	791,9	258,6	748,4	272,5
	7	900,0	232,5	859,1	247,6	842,3	253,6	816,6	262,2	771,6	276,3
	8	926,5	235,5	885,0	250,9	867,8	256,9	841,5	265,6	795,1	280,0
9	952,9	238,6	910,7	254,1	893,3	260,2	866,5	269,0	818,8	283,4	
WHR 282.3	4	859,7	232,9	819,5	248,0	803,1	254,0	778,1	262,8	735,3	277,0
	5	887,3	236,3	846,1	251,6	829,3	257,7	803,8	266,6	759,5	280,9
	6	915,0	239,6	872,9	255,2	855,8	261,3	829,6	270,2	783,9	284,7
	7	942,7	242,9	900,0	258,7	882,3	264,9	855,4	273,9	808,3	288,7
	8	970,5	246,1	927,0	262,1	909,1	268,4	881,5	277,5	832,9	292,4
9	998,1	249,3	954,0	265,5	935,7	271,8	907,7	281,0	857,7	296,1	
WHR 292.3	4	898,7	243,0	856,6	258,7	839,5	265,0	813,4	274,2	768,6	289,0
	5	927,6	246,5	884,5	262,5	866,9	268,9	840,2	278,1	794,0	293,1
	6	956,5	249,9	912,5	266,3	894,6	272,6	867,2	281,9	819,5	297,0
	7	985,5	253,4	940,8	269,9	922,3	276,4	894,2	285,8	845,0	301,2
	8	1.014,5	256,7	969,1	273,5	950,3	280,0	921,5	289,5	870,7	305,2
9	1.043,4	260,0	997,2	276,9	978,2	283,6	948,9	293,1	896,6	308,9	
WHR 302.3	4	946,7	256,5	902,3	273,1	884,3	279,7	856,8	289,5	809,7	305,1
	5	977,1	260,2	931,7	277,1	913,2	283,8	885,1	293,6	836,4	309,4
	6	1.007,5	263,8	961,2	281,1	942,3	287,8	913,5	297,5	863,2	313,5
	7	1.038,1	267,5	991,0	284,9	971,5	291,7	941,9	301,7	890,1	318,0
	8	1.068,7	271,0	1.020,8	288,7	1.001,0	295,6	970,6	305,6	917,2	322,1
9	1.099,1	274,5	1.050,4	292,4	1.030,4	299,4	999,5	309,4	944,5	326,1	
WHR 342.3	4	1.042,5	283,7	993,7	302,0	973,8	309,3	943,5	320,1	891,6	337,4
	5	1.076,0	287,7	1.026,0	306,4	1.005,6	313,8	974,6	324,6	921,1	342,1
	6	1.109,5	291,8	1.058,5	310,8	1.037,7	318,2	1.005,9	329,0	950,6	346,7
	7	1.143,1	295,8	1.091,3	315,0	1.069,8	322,6	1.037,2	333,6	980,2	351,6
	8	1.176,8	299,7	1.124,1	319,2	1.102,3	326,8	1.068,8	338,0	1.010,0	356,2
9	1.210,3	303,6	1.156,7	323,3	1.134,6	331,0	1.100,6	342,2	1.040,1	360,6	
WHR 371.4	4	1.144,4	310,6	1.090,8	330,7	1.069,0	338,7	1.035,7	350,5	978,8	369,4
	5	1.181,1	315,0	1.126,3	335,5	1.103,9	343,7	1.069,9	355,5	1.011,1	374,6
	6	1.217,9	319,5	1.161,9	340,3	1.139,1	348,5	1.104,2	360,3	1.043,5	379,6
	7	1.254,9	323,9	1.198,0	345,0	1.174,4	353,3	1.138,6	365,3	1.076,0	385,0
	8	1.291,9	328,1	1.234,0	349,6	1.210,1	357,9	1.173,3	370,1	1.108,7	390,0
9	1.328,6	332,4	1.269,8	354,0	1.245,6	362,5	1.208,2	374,7	1.141,8	394,9	
WHR 376.4	4	1.159,0	314,0	1.104,7	334,3	1.082,6	342,3	1.048,9	354,3	991,3	373,4
	5	1.196,2	318,4	1.140,6	339,2	1.117,9	347,4	1.083,5	359,3	1.024,0	378,6
	6	1.233,5	322,9	1.176,7	344,0	1.153,7	352,2	1.118,3	364,2	1.056,9	383,7
	7	1.270,9	327,4	1.213,2	348,7	1.189,4	357,1	1.153,1	369,2	1.089,7	389,1
	8	1.308,3	331,7	1.249,7	353,3	1.225,5	361,7	1.188,3	374,1	1.122,9	394,2
9	1.345,6	336,0	1.286,0	357,8	1.261,4	366,4	1.223,6	378,7	1.156,4	399,1	

Standard ratings WHR 391.4÷451.4 (HFC 407C)

Unit size	Evap. leaving water temp. °C	ENTERING CONDENSER WATER TEMPERATURE - ° C									
		25		30		32		35		40	
		Cooling capacity kW	Power input kW	Cooling capacity kW	Power input kW	Cooling capacity kW	Power input kW	Cooling capacity kW	Power input kW	Cooling capacity kW	Power input kW
WHR 391.4	4	1.198,3	323,9	1.142,2	344,9	1.119,4	353,2	1.084,6	213,4	1.024,9	385,2
	5	1.236,8	328,6	1.179,4	349,9	1.155,9	358,4	1.120,3	370,7	1.058,7	390,6
	6	1.275,4	333,2	1.216,7	354,9	1.192,9	363,4	1.156,3	375,7	1.092,7	395,9
	7	1.314,1	337,8	1.254,4	359,8	1.229,8	368,4	1.192,3	380,9	1.126,7	401,5
	8	1.352,8	342,2	1.292,2	364,6	1.267,1	373,2	1.228,6	385,9	1.160,9	406,7
	9	1.391,3	346,7	1.329,7	369,2	1.304,3	378,1	1.265,2	390,8	1.195,6	411,7
WHR 396.4	4	1.219,2	330,8	1.162,1	352,3	1.138,9	360,7	1.103,5	373,3	1.042,8	393,5
	5	1.258,4	335,6	1.199,9	357,4	1.176,0	366,0	1.139,8	378,6	1.077,2	399,0
	6	1.297,6	340,3	1.237,9	362,5	1.213,6	371,2	1.176,4	383,7	1.111,8	404,4
	7	1.337,0	345,0	1.276,3	367,4	1.251,2	376,3	1.213,0	389,1	1.146,4	410,1
	8	1.376,3	349,5	1.314,7	372,3	1.289,2	381,2	1.250,0	394,2	1.181,3	415,4
	9	1.415,5	354,0	1.352,9	377,1	1.327,0	386,1	1.287,2	399,1	1.216,5	420,6
WHR 401.4	4	1.246,2	337,6	1.187,8	359,4	1.164,1	368,1	1.127,9	380,9	1.065,8	401,5
	5	1.286,2	342,4	1.226,5	364,6	1.202,1	373,5	1.165,1	386,3	1.101,0	407,1
	6	1.326,3	347,2	1.265,3	369,9	1.240,5	378,7	1.202,5	391,5	1.136,3	412,6
	7	1.366,5	352,0	1.304,5	374,9	1.278,9	383,9	1.239,9	397,0	1.171,7	418,4
	8	1.406,8	356,6	1.343,8	379,9	1.317,7	388,9	1.277,7	402,2	1.207,3	423,9
	9	1.446,8	361,2	1.382,8	384,7	1.356,4	393,9	1.315,7	407,2	1.243,3	429,1
WHR 421.4	4	1.294,1	351,1	1.233,5	373,8	1.208,8	382,8	1.171,3	396,2	1.106,8	417,6
	5	1.335,7	356,1	1.273,7	379,2	1.248,3	388,4	1.209,9	401,8	1.143,4	423,4
	6	1.377,3	361,1	1.314,0	384,7	1.288,2	393,9	1.248,7	407,2	1.180,1	429,1
	7	1.419,1	366,1	1.354,7	389,9	1.328,1	399,3	1.287,6	412,9	1.216,8	435,2
	8	1.460,9	370,9	1.395,5	395,1	1.368,4	404,5	1.326,9	418,3	1.253,8	440,9
	9	1.502,5	375,7	1.436,0	400,1	1.408,6	409,7	1.366,3	423,5	1.291,2	446,3
WHR 431.4	4	1.342,1	364,7	1.279,2	388,3	1.253,6	397,6	1.214,7	411,5	1.147,9	433,8
	5	1.385,2	369,9	1.320,8	394,0	1.294,6	403,5	1.254,7	417,4	1.185,7	439,8
	6	1.428,3	375,1	1.362,7	399,6	1.335,9	409,1	1.295,0	423,0	1.223,8	445,7
	7	1.471,7	380,3	1.404,9	405,0	1.377,3	414,8	1.335,3	428,9	1.261,9	452,0
	8	1.515,0	385,3	1.447,2	410,4	1.419,1	420,2	1.376,0	434,5	1.300,3	457,9
	9	1.558,2	390,3	1.489,2	415,6	1.460,7	425,6	1.417,0	439,9	1.339,0	463,6
WHR 451.4	4	1.390,0	378,2	1.324,9	402,7	1.298,4	412,4	1.258,0	426,8	1.188,9	449,8
	5	1.434,7	383,6	1.368,0	408,6	1.340,8	418,5	1.299,5	432,9	1.228,1	456,2
	6	1.479,4	389,0	1.411,3	414,4	1.383,7	424,3	1.341,3	438,7	1.267,5	462,3
	7	1.524,3	394,4	1.455,1	420,0	1.426,5	430,2	1.383,0	444,8	1.307,0	468,8
	8	1.569,2	399,6	1.498,9	425,7	1.469,8	435,8	1.425,2	450,6	1.346,7	474,9
	9	1.613,8	404,7	1.542,4	431,1	1.512,9	441,4	1.467,6	456,2	1.386,9	480,8

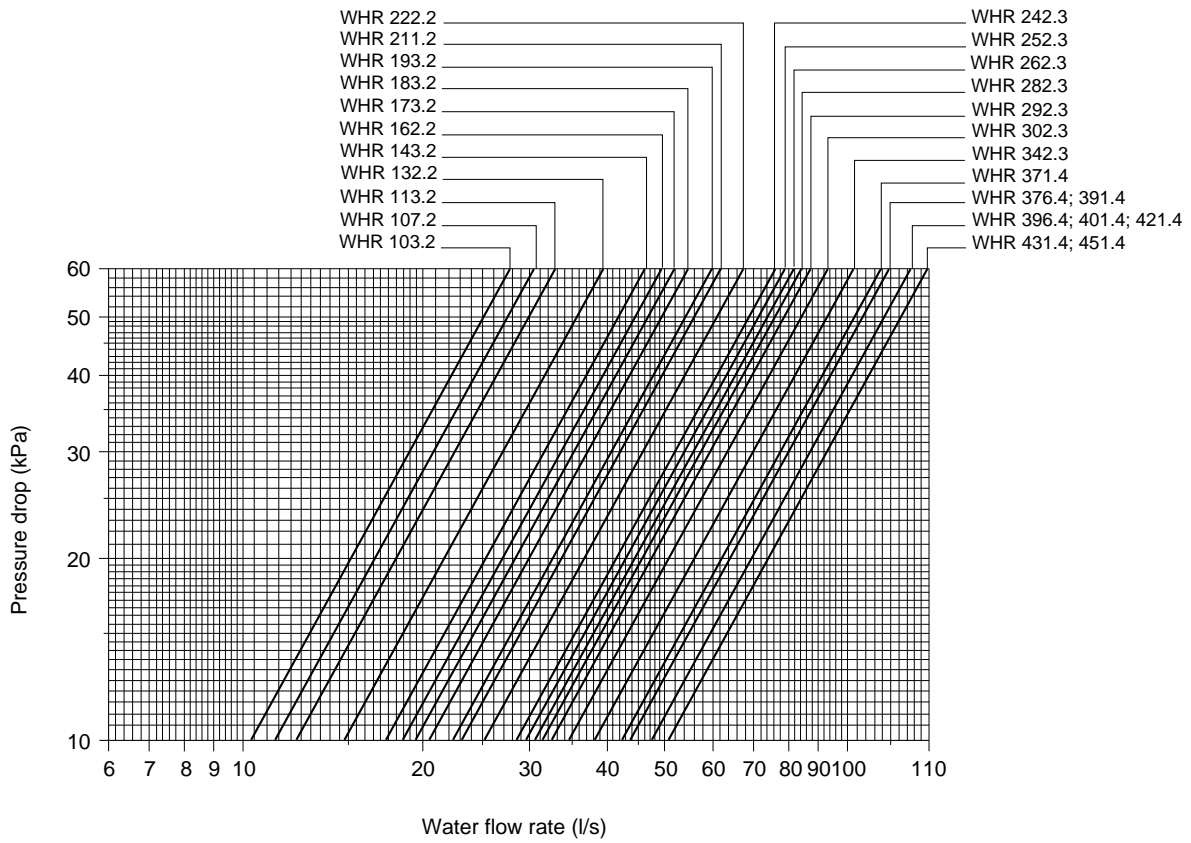
Pressure drop (HCFC 22, HFC 407C)

evaporator



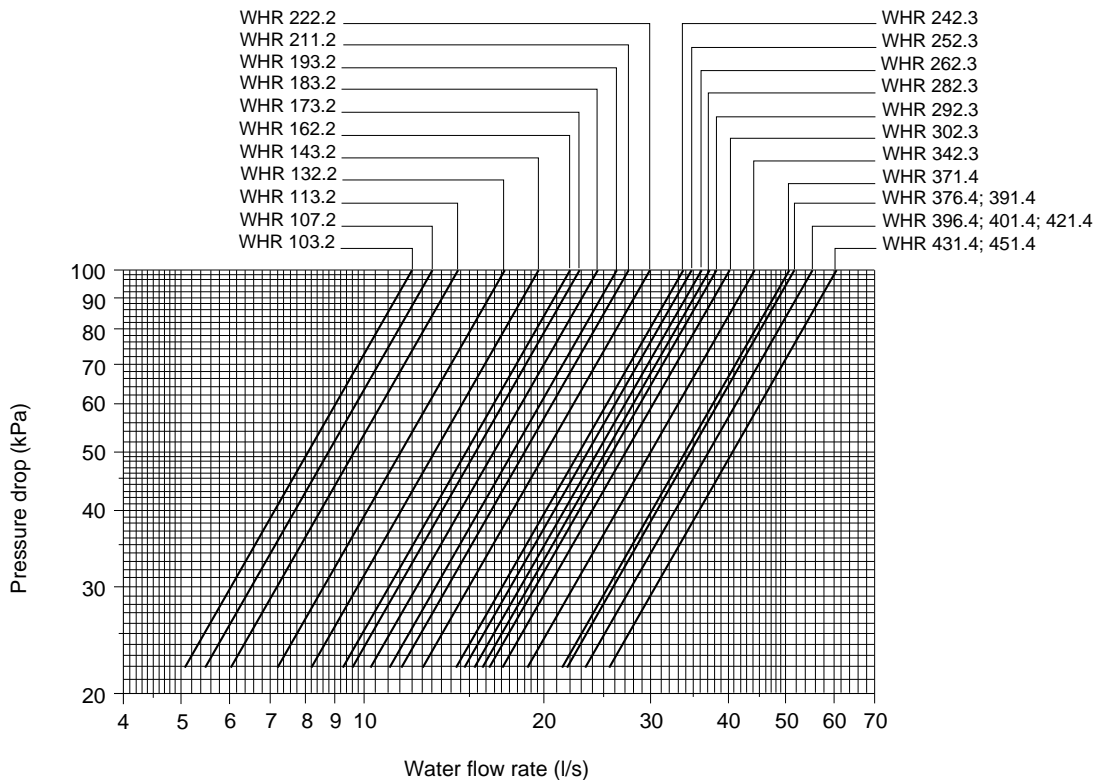
Pressure drop (HCFC 22, HFC 407C)

condenser 1 pass



Pressure drop (HCFC 22, HFC 407C)

condenser 2 passes



Total heat recovery ratings WHR 103.2÷211.2 (HCFC 22)

Unit size	Evap. leaving water temp. °C	LEAVING HEAT RECOVERY CONDENSER WATER TEMPERATURE - ° C								
		40			45			50		
		Cooling capacity kW	Power input kW	Heating capacity kW	Cooling capacity kW	Power input kW	Heating capacity kW	Cooling capacity kW	Power input kW	Heating capacity kW
WHR 103.2	4	292,3	87,2	376,8	276,8	92,5	369,4	263,7	97,2	358,0
	5	302,6	88,3	388,2	286,8	93,7	380,5	272,5	98,6	368,0
	6	312,8	89,4	399,5	296,7	95,0	391,7	281,1	99,9	378,1
	7	323,2	90,4	410,9	306,8	96,1	402,9	289,9	101,3	388,2
	8	333,5	91,4	422,2	316,9	97,3	414,2	298,8	102,6	398,3
	9	343,8	92,4	433,4	327,0	98,4	425,4	307,6	103,9	408,4
WHR 107.2	4	315,7	94,4	407,3	299,2	100,1	399,4	284,7	105,1	386,6
	5	326,7	95,6	419,4	309,7	101,7	411,4	294,1	106,6	397,5
	6	337,8	96,8	431,6	320,4	102,7	423,1	303,5	108,0	408,3
	7	348,8	97,9	443,7	331,2	103,9	435,1	313,0	109,5	419,2
	8	360,0	99,0	456,0	342,0	105,1	447,1	322,5	110,9	430,1
	9	371,2	100,0	468,2	353,0	106,3	459,2	332,2	112,3	441,1
WHR 113.2	4	339,8	101,6	438,4	322,1	107,8	429,9	306,0	113,1	415,6
	5	351,4	102,9	451,3	333,2	109,2	442,4	316,1	114,7	427,3
	6	363,1	104,2	464,2	344,5	110,6	455,1	326,2	116,2	438,9
	7	374,7	105,4	476,9	355,9	111,8	467,7	336,3	117,8	450,6
	8	386,5	106,6	489,9	367,3	113,1	480,4	346,6	119,4	462,4
	9	398,1	107,8	502,7	378,7	114,4	493,2	356,9	120,9	474,1
WHR 132.2	4	389,8	115,4	501,7	369,5	122,3	491,8	350,4	128,6	475,2
	5	402,9	117,0	516,4	382,1	123,9	506,0	362,0	130,4	488,5
	6	416,1	118,5	531,1	394,8	125,6	520,3	373,6	132,2	501,8
	7	429,4	120,1	545,9	407,6	127,2	534,7	385,2	134,1	515,2
	8	442,7	121,5	560,6	420,4	128,8	549,2	396,9	135,8	528,6
	9	456,1	123,1	575,5	433,4	130,4	563,8	408,8	137,5	542,1
WHR 143.2	4	441,6	129,4	567,1	419,3	137,1	556,4	396,2	144,5	536,4
	5	455,9	131,3	583,2	433,1	139,1	572,2	409,3	146,5	551,4
	6	470,4	133,1	599,5	447,0	140,9	587,9	422,4	148,5	566,5
	7	485,0	134,9	615,8	460,9	142,9	603,8	435,6	150,6	581,6
	8	499,5	136,7	632,2	475,0	144,8	619,7	448,8	152,6	596,8
	9	514,0	138,5	648,4	489,1	146,6	635,7	462,2	154,5	612,0
WHR 162.2	4	476,9	140,3	613,0	452,8	148,7	601,5	427,9	156,7	579,9
	5	492,4	142,3	630,4	467,7	150,8	618,5	442,1	158,9	596,1
	6	508,0	144,4	648,0	482,7	152,8	635,6	456,2	161,0	612,4
	7	523,7	146,3	665,6	497,8	154,9	652,7	470,4	163,3	628,8
	8	539,5	148,3	683,3	512,9	157,0	669,9	484,8	165,4	645,2
	9	555,1	150,2	700,8	528,2	158,9	687,1	499,2	167,4	661,6
WHR 173.2	4	512,2	151,1	658,7	486,3	160,2	646,4	459,6	168,8	623,3
	5	528,8	153,3	677,5	502,3	162,4	664,8	474,8	171,2	640,8
	6	545,5	155,5	696,4	518,5	164,6	683,1	490,0	173,5	658,2
	7	562,5	157,6	715,4	534,6	166,9	701,5	505,2	175,9	675,8
	8	579,4	159,7	734,3	550,9	169,1	720,0	520,6	178,2	693,4
	9	596,2	161,8	753,1	567,3	171,2	738,5	536,1	180,4	711,1
WHR 183.2	4	550,4	161,8	707,3	522,6	171,5	694,1	493,8	180,7	669,2
	5	568,3	164,2	727,6	539,8	174,0	713,8	510,2	183,3	687,9
	6	586,3	166,5	747,8	557,2	176,3	733,5	526,5	185,7	706,7
	7	604,5	168,8	768,2	574,5	178,7	753,2	542,9	188,3	725,6
	8	622,6	171,1	788,6	592,0	181,1	773,1	559,4	190,8	744,5
	9	640,7	173,2	808,7	609,7	183,4	793,1	576,1	193,2	763,5
WHR 193.2	4	588,7	172,5	756,0	559,0	182,8	741,8	528,3	192,7	715,1
	5	607,9	175,0	777,6	577,4	185,4	762,8	545,7	195,4	735,2
	6	627,1	177,5	799,3	596,0	187,9	783,9	563,2	198,0	755,2
	7	646,6	179,9	821,0	614,5	190,5	805,0	580,7	200,8	775,5
	8	666,0	182,3	842,8	633,3	193,0	826,2	598,4	203,4	795,7
	9	685,4	184,6	864,4	652,1	195,4	847,5	616,2	205,9	816,0
WHR 211.2	4	635,8	187,0	817,2	603,7	198,1	801,9	570,5	208,8	773,1
	5	656,5	189,7	840,5	623,7	201,0	824,6	589,4	211,8	794,8
	6	677,3	192,4	863,9	643,7	203,7	847,3	608,3	214,6	816,5
	7	698,3	195,0	887,5	663,7	206,5	870,2	627,2	217,6	838,3
	8	719,3	197,6	911,0	683,9	209,2	893,1	646,3	220,5	860,2
	9	740,2	200,1	934,3	704,3	211,8	916,1	665,6	223,2	882,1

Total heat recovery ratings WHR 222.2÷376.4 (HCFC 22)

Unit size	Evap. leaving water temp. °C	LEAVING HEAT RECOVERY CONDENSER WATER TEMPERATURE - ° C								
		40			45			50		
		Cooling capacity kW	Power input kW	Heating capacity kW	Cooling capacity kW	Power input kW	Heating capacity kW	Cooling capacity kW	Power input kW	Heating capacity kW
WHR 222.2	4	683,0	201,4	878,3	648,5	213,4	855,5	612,8	224,9	831,0
	5	705,2	204,3	903,3	669,9	216,4	879,8	633,1	228,1	854,3
	6	727,5	207,2	928,5	691,4	219,3	904,1	653,4	231,1	877,6
	7	750,1	210,0	953,8	712,9	222,4	928,6	673,7	234,4	901,1
	8	772,6	212,8	979,1	734,6	225,3	953,2	694,2	237,5	924,5
WHR 242.3	4	732,9	215,9	942,3	695,9	228,8	917,8	657,7	241,1	891,6
	5	756,8	219,0	969,2	718,9	232,0	943,9	679,4	244,5	916,6
	6	780,7	222,1	996,2	742,0	235,1	970,1	701,3	247,8	941,5
	7	804,9	225,1	1.023,3	765,1	238,4	996,3	723,0	251,3	966,7
	8	829,2	228,2	1.050,5	788,4	241,5	1.022,7	745,1	254,5	991,9
WHR 252.3	4	768,1	226,7	988,0	729,4	240,2	962,4	689,3	253,2	934,9
	5	793,1	230,0	1.016,2	753,4	243,6	989,7	712,0	256,8	961,1
	6	818,2	233,3	1.044,5	777,6	246,9	1.017,1	734,9	260,2	987,3
	7	843,6	236,4	1.072,9	801,8	250,4	1.044,7	757,8	263,9	1.013,7
	8	869,0	239,6	1.101,4	826,3	253,6	1.072,3	780,7	267,4	1.040,1
WHR 262.3	4	806,5	237,4	1.036,8	765,8	251,6	1.009,8	723,6	265,2	980,9
	5	832,7	240,9	1.066,3	791,0	255,2	1.038,5	747,5	268,9	1.008,3
	6	859,1	244,3	1.096,0	816,4	258,6	1.067,3	771,6	272,5	1.035,8
	7	885,7	247,6	1.125,9	841,8	262,2	1.096,1	795,5	276,3	1.063,6
	8	912,3	250,9	1.155,7	867,5	265,6	1.125,2	819,7	280,0	1.091,3
WHR 282.3	4	844,8	248,0	1.085,4	802,2	262,8	1.057,1	758,1	277,0	1.026,7
	5	872,3	251,6	1.116,4	828,6	266,6	1.087,2	783,0	280,9	1.055,5
	6	899,9	255,2	1.147,5	855,2	270,2	1.117,3	808,2	284,7	1.084,3
	7	927,8	258,7	1.178,7	881,8	273,9	1.147,5	833,3	288,7	1.113,3
	8	955,7	262,1	1.210,0	908,7	277,5	1.177,9	858,7	292,4	1.142,3
WHR 292.3	4	883,1	258,7	1.134,1	838,6	274,2	1.104,5	792,4	289,0	1.072,8
	5	911,9	262,5	1.166,5	866,2	278,1	1.136,0	818,6	293,1	1.102,9
	6	940,7	266,3	1.199,0	894,0	281,9	1.167,4	844,9	297,0	1.132,9
	7	969,9	269,9	1.231,7	921,8	285,8	1.199,0	871,2	301,2	1.163,3
	8	999,1	273,5	1.264,3	949,9	289,5	1.230,8	897,7	305,2	1.193,6
WHR 302.3	4	930,3	273,1	1.195,2	883,3	289,5	1.164,1	834,8	305,1	1.130,7
	5	960,5	277,1	1.229,3	912,4	293,6	1.197,2	862,3	309,4	1.162,4
	6	990,9	281,1	1.263,6	941,7	297,5	1.230,3	889,9	313,5	1.194,1
	7	1.021,6	284,9	1.298,0	971,0	301,7	1.263,6	917,7	318,0	1.226,0
	8	1.052,4	288,7	1.332,4	1.000,6	305,6	1.297,1	945,6	322,1	1.258,0
WHR 342.3	4	1.024,4	302,0	1.317,4	972,7	320,1	1.283,2	919,2	337,4	1.246,5
	5	1.057,7	306,4	1.354,9	1.004,8	324,6	1.319,7	949,6	342,1	1.281,4
	6	1.091,2	310,8	1.392,7	1.037,0	329,0	1.356,2	980,0	346,7	1.316,3
	7	1.125,0	315,0	1.430,6	1.069,3	333,6	1.392,8	1.010,5	351,6	1.351,5
	8	1.158,9	319,2	1.468,5	1.101,9	338,0	1.429,7	1.041,3	356,2	1.386,7
WHR 371.4	4	1.124,5	330,7	1.445,3	1.067,8	350,5	1.407,7	1.009,1	369,4	1.367,4
	5	1.161,1	335,5	1.486,6	1.103,0	355,5	1.447,8	1.042,4	374,6	1.405,7
	6	1.197,9	340,3	1.528,0	1.138,4	360,3	1.487,9	1.075,8	379,6	1.444,0
	7	1.235,0	345,0	1.569,6	1.173,8	365,3	1.528,1	1.109,3	385,0	1.482,7
	8	1.272,1	349,6	1.611,2	1.209,6	370,1	1.568,6	1.143,0	390,0	1.521,3
WHR 376.4	4	1.138,9	334,3	1.463,1	1.081,4	354,3	1.425,0	1.022,0	373,4	1.384,1
	5	1.175,9	339,2	1.504,9	1.117,0	359,3	1.465,6	1.055,7	378,6	1.422,9
	6	1.213,1	344,0	1.546,8	1.152,9	364,2	1.506,2	1.089,6	383,7	1.461,7
	7	1.250,8	348,7	1.589,0	1.188,8	369,2	1.546,9	1.123,4	389,1	1.500,9
	8	1.288,4	353,3	1.631,1	1.225,0	374,1	1.587,9	1.157,7	394,2	1.540,0
	9	1.325,8	357,8	1.672,9	1.261,5	378,7	1.628,8	1.192,2	399,1	1.579,2

Total heat recovery ratings WHR 391.4÷451.4 (HCFC 22)

Unit size	Evap. leaving water temp. °C	LEAVING HEAT RECOVERY CONDENSER WATER TEMPERATURE - ° C								
		40			45			50		
		Cooling capacity kW	Power input kW	Heating capacity kW	Cooling capacity kW	Power input kW	Heating capacity kW	Cooling capacity kW	Power input kW	Heating capacity kW
WHR 391.4	4	1.177,6	344,9	1.512,1	1.118,1	365,5	1.472,7	1.056,6	385,2	1.430,2
	5	1.215,8	349,9	1.555,3	1.155,0	370,7	1.514,6	1.091,5	390,6	1.470,3
	6	1.254,3	354,9	1.598,6	1.192,1	375,7	1.556,5	1.126,5	395,9	1.510,5
	7	1.293,2	359,8	1.642,2	1.229,1	380,9	1.598,7	1.161,6	401,5	1.550,9
	8	1.332,1	364,6	1.685,8	1.266,6	385,9	1.641,0	1.196,8	406,7	1.591,3
	9	1.370,8	369,2	1.728,9	1.304,3	390,8	1.683,4	1.232,6	411,7	1.631,9
WHR 396.4	4	1.198,1	352,3	1.539,8	1.137,6	373,3	1.499,7	1.075,1	393,5	1.456,8
	5	1.237,0	357,4	1.583,7	1.175,1	378,6	1.542,4	1.110,5	399,0	1.497,6
	6	1.276,2	362,5	1.627,8	1.212,8	383,7	1.585,1	1.146,2	404,4	1.538,4
	7	1.315,8	367,4	1.672,2	1.250,6	389,1	1.627,9	1.181,9	410,1	1.579,6
	8	1.355,3	372,3	1.716,5	1.288,7	394,2	1.671,0	1.217,9	415,4	1.620,8
	9	1.394,7	377,1	1.760,5	1.327,0	399,1	1.714,2	1.254,2	420,6	1.662,1
WHR 401.4	4	1.224,6	359,4	1.573,2	1.162,8	380,9	1.532,2	1.098,8	401,5	1.488,2
	5	1.264,4	364,6	1.618,1	1.201,1	386,3	1.575,8	1.135,1	407,1	1.530,0
	6	1.304,4	369,9	1.663,2	1.239,7	391,5	1.619,5	1.171,5	412,6	1.571,7
	7	1.344,9	374,9	1.708,5	1.278,2	397,0	1.663,3	1.208,0	418,4	1.613,8
	8	1.385,3	379,9	1.753,8	1.317,2	402,2	1.707,3	1.244,7	423,9	1.655,8
	9	1.425,6	384,7	1.798,7	1.356,4	407,2	1.751,4	1.281,8	429,1	1.698,0
WHR 421.4	4	1.271,7	373,8	1.634,3	1.207,5	396,2	1.591,8	1.141,1	417,6	1.546,1
	5	1.313,0	379,2	1.680,9	1.247,3	401,8	1.637,1	1.178,8	423,4	1.589,5
	6	1.354,6	384,7	1.727,7	1.287,4	407,2	1.682,4	1.216,6	429,1	1.632,8
	7	1.396,6	389,9	1.774,8	1.327,4	412,9	1.727,9	1.254,5	435,2	1.676,5
	8	1.438,6	395,1	1.821,9	1.367,9	418,3	1.773,6	1.292,6	440,9	1.720,2
	9	1.480,4	400,1	1.868,5	1.408,6	423,5	1.819,4	1.331,2	446,3	1.764,1
WHR 431.4	4	1.318,8	388,3	1.695,5	1.252,2	411,5	1.651,4	1.183,4	433,8	1.604,1
	5	1.361,7	394,0	1.743,8	1.293,5	417,4	1.698,4	1.222,4	439,8	1.649,1
	6	1.404,8	399,6	1.792,4	1.335,1	423,0	1.745,4	1.261,7	445,7	1.694,0
	7	1.448,4	405,0	1.841,2	1.376,6	428,9	1.792,6	1.301,0	452,0	1.739,4
	8	1.491,9	410,4	1.890,0	1.418,6	434,5	1.840,0	1.340,6	457,9	1.784,7
	9	1.535,3	415,6	1.938,4	1.460,8	439,9	1.887,5	1.380,4	463,6	1.830,2
WHR 451.4	4	1.365,9	402,7	1.756,6	1.297,0	426,8	1.710,9	1.225,7	449,8	1.662,0
	5	1.410,3	408,6	1.806,6	1.339,7	432,9	1.759,6	1.266,1	456,2	1.708,6
	6	1.455,0	414,4	1.857,0	1.382,7	438,7	1.808,3	1.306,7	462,3	1.755,1
	7	1.500,1	420,0	1.907,5	1.425,8	444,8	1.857,2	1.347,5	468,8	1.802,1
	8	1.545,2	425,7	1.958,1	1.469,2	450,6	1.906,3	1.388,4	474,9	1.849,1
	9	1.590,1	431,1	2.008,2	1.513,0	456,2	1.955,5	1.429,8	480,8	1.896,2

Total heat recovery ratings WHR 103.2÷211.2 (HFC 407C)

Unit size	Evap. leaving water temp. °C	LEAVING HEAT RECOVERY CONDENSER WATER TEMPERATURE - ° C								
		35			40			45		
		Cooling capacity kW	Power input kW	Heating capacity kW	Cooling capacity kW	Power input kW	Heating capacity kW	Cooling capacity kW	Power input kW	Heating capacity kW
WHR 103.2	4	283,5	87,2	368,0	268,5	92,5	358,3	255,8	97,2	350,1
	5	293,5	88,3	379,1	278,2	93,7	369,1	264,3	98,6	359,9
	6	303,5	89,4	390,1	287,8	95,0	380,0	272,7	99,9	369,6
	7	313,5	90,4	401,2	297,6	96,1	390,8	281,2	101,3	379,5
	8	323,5	91,4	412,2	307,4	97,3	401,8	289,8	102,6	389,3
9	333,5	92,4	423,1	317,2	98,4	412,6	298,4	103,9	399,2	
WHR 107.2	4	306,2	94,4	397,8	290,3	100,1	387,4	276,2	105,1	378,1
	5	316,9	95,6	409,6	300,4	101,7	399,1	285,3	106,6	388,6
	6	327,6	96,8	421,5	310,8	102,7	410,4	294,4	108,0	399,2
	7	338,4	97,9	433,3	321,2	103,9	422,0	303,6	109,5	409,8
	8	349,2	99,0	445,2	331,7	105,1	433,6	312,8	110,9	420,4
9	360,1	100,0	457,1	342,4	106,3	445,4	322,2	112,3	431,1	
WHR 113.2	4	329,6	101,6	428,2	312,4	107,8	417,0	296,8	113,1	406,4
	5	340,9	102,9	440,7	323,2	109,2	429,2	306,6	114,7	417,8
	6	352,2	104,2	453,3	334,2	110,6	441,4	316,4	116,2	429,1
	7	363,4	105,4	465,7	345,2	111,8	453,7	326,2	117,8	440,5
	8	374,9	106,6	478,3	356,3	113,1	466,0	336,2	119,4	452,0
9	386,2	107,8	490,7	367,4	114,4	478,4	346,2	120,9	463,4	
WHR 132.2	4	378,1	115,4	490,0	358,5	122,3	477,1	339,9	128,6	464,7
	5	390,8	117,0	504,3	370,7	123,9	490,8	351,1	130,4	477,6
	6	403,6	118,5	518,6	382,9	125,6	504,7	362,4	132,2	490,6
	7	416,5	120,1	533,0	395,3	127,2	518,7	373,6	134,1	503,7
	8	429,5	121,5	547,4	407,8	128,8	532,7	385,0	135,8	516,7
9	442,4	123,1	561,8	420,4	130,4	546,9	396,5	137,5	529,9	
WHR 143.2	4	428,3	129,4	553,8	406,7	137,1	539,7	384,3	144,5	524,5
	5	442,3	131,3	569,6	420,1	139,1	555,0	397,0	146,5	539,2
	6	456,3	133,1	585,4	433,6	140,9	570,3	409,7	148,5	553,8
	7	470,4	134,9	601,3	447,1	142,9	585,7	422,5	150,6	568,6
	8	484,5	136,7	617,2	460,7	144,8	601,1	435,3	152,6	583,3
9	498,6	138,5	632,9	474,4	146,6	616,6	448,3	154,5	598,2	
WHR 162.2	4	462,6	140,3	598,6	439,2	148,7	583,4	415,1	156,7	567,0
	5	477,6	142,3	615,7	453,7	150,8	600,0	428,8	158,9	582,9
	6	492,7	144,4	632,8	468,3	152,8	616,5	442,5	161,0	598,7
	7	508,0	146,3	649,9	482,8	154,9	633,1	456,3	163,3	614,7
	8	523,3	148,3	667,1	497,5	157,0	649,8	470,2	165,4	630,6
9	538,5	150,2	684,1	512,4	158,9	666,5	484,2	167,4	646,6	
WHR 173.2	4	496,8	151,1	643,4	471,7	160,2	627,1	445,8	168,8	609,5
	5	512,9	153,3	661,7	487,3	162,4	644,8	460,5	171,2	626,5
	6	529,2	155,5	680,0	502,9	164,6	662,6	475,3	173,5	643,5
	7	545,6	157,6	698,5	518,6	166,9	680,4	490,0	175,9	660,7
	8	562,0	159,7	716,9	534,4	169,1	698,4	505,0	178,2	677,8
9	578,3	161,8	735,2	550,3	171,2	716,3	520,0	180,4	695,0	
WHR 183.2	4	533,9	161,8	690,8	506,9	171,5	673,3	479,0	180,7	654,3
	5	551,2	164,2	710,5	523,7	174,0	692,5	494,9	183,3	672,6
	6	568,7	166,5	730,2	540,5	176,3	711,5	510,7	185,7	690,9
	7	586,3	168,8	750,0	557,3	178,7	730,6	526,6	188,3	709,3
	8	604,0	171,1	770,0	574,3	181,1	750,0	542,6	190,8	727,7
9	621,5	173,2	789,5	591,4	183,4	769,3	558,8	193,2	746,2	
WHR 193.2	4	571,1	172,5	738,4	542,2	182,8	719,5	512,4	192,7	699,3
	5	589,6	175,0	759,4	560,1	185,4	739,9	529,3	195,4	718,8
	6	608,3	177,5	780,5	578,1	187,9	760,3	546,3	198,0	738,3
	7	627,2	179,9	801,7	596,1	190,5	780,8	563,3	200,8	758,0
	8	646,0	182,3	822,9	614,3	193,0	801,5	580,4	203,4	777,7
9	664,8	184,6	843,9	632,5	195,4	822,1	597,7	205,9	797,5	
WHR 211.2	4	616,8	187,0	798,1	585,6	198,1	777,8	553,4	208,8	756,0
	5	636,8	189,7	820,8	604,9	201,0	799,9	571,7	211,8	777,1
	6	657,0	192,4	843,6	624,4	203,7	821,9	590,0	214,6	798,2
	7	677,4	195,0	866,5	643,8	206,5	844,1	608,4	217,6	819,5
	8	697,7	197,6	889,4	663,4	209,2	866,3	626,9	220,5	840,8
9	718,0	200,1	912,1	683,2	211,8	888,6	645,6	223,2	862,1	

Total heat recovery ratings WHR 222.2÷376.4 (HFC 407C)

Unit size	Evap. leaving water temp. °C	LEAVING HEAT RECOVERY CONDENSER WATER TEMPERATURE - ° C								
		35			40			45		
		Cooling capacity kW	Power input kW	Heating capacity kW	Cooling capacity kW	Power input kW	Heating capacity kW	Cooling capacity kW	Power input kW	Heating capacity kW
WHR 222.2	4	662,5	201,4	857,8	629,0	213,4	836,0	594,4	224,9	812,6
	5	684,0	204,3	882,2	649,8	216,4	859,7	614,1	228,1	835,3
	6	705,7	207,2	906,7	670,6	219,3	883,4	633,8	231,1	858,0
	7	727,5	210,0	931,3	691,5	222,4	907,2	653,5	234,4	880,8
	8	749,4	212,8	955,9	712,6	225,3	931,1	673,4	237,5	903,7
	9	771,2	215,5	980,3	733,8	228,1	955,1	693,4	240,4	926,6
WHR 242.3	4	711,0	215,9	920,3	675,1	228,8	896,9	638,0	241,1	871,8
	5	734,1	219,0	946,5	697,3	232,0	922,4	659,0	244,5	896,2
	6	757,3	222,1	972,8	719,7	235,1	947,8	680,2	247,8	920,5
	7	780,8	225,1	999,2	742,1	238,4	973,3	701,3	251,3	945,1
	8	804,3	228,2	1.025,6	764,7	241,5	999,0	722,7	254,5	969,6
	9	827,6	231,0	1.051,8	787,5	244,5	1.024,7	744,2	257,7	994,2
WHR 252.3	4	745,1	226,7	965,0	707,5	240,2	940,5	668,6	253,2	914,2
	5	769,3	230,0	992,4	730,8	243,6	967,1	690,6	256,8	939,7
	6	793,7	233,3	1.020,0	754,3	246,9	993,8	712,8	260,2	965,2
	7	818,3	236,4	1.047,6	777,7	250,4	1.020,6	735,0	263,9	991,0
	8	842,9	239,6	1.075,3	801,5	253,6	1.047,5	757,3	267,4	1.016,7
	9	867,4	242,6	1.102,7	825,3	256,8	1.074,4	779,9	270,7	1.042,5
WHR 262.3	4	782,3	237,4	1.012,6	742,8	251,6	986,8	701,9	265,2	959,1
	5	807,7	240,9	1.041,3	767,3	255,2	1.014,8	725,1	268,9	985,9
	6	833,3	244,3	1.070,3	791,9	258,6	1.042,8	748,4	272,5	1.012,7
	7	859,1	247,6	1.099,3	816,6	262,2	1.070,9	771,6	276,3	1.039,7
	8	885,0	250,9	1.128,4	841,5	265,6	1.099,1	795,1	280,0	1.066,7
	9	910,7	254,1	1.157,2	866,5	269,0	1.127,4	818,8	283,4	1.093,8
WHR 282.3	4	819,5	248,0	1.060,0	778,1	262,8	1.033,0	735,3	277,0	1.004,0
	5	846,1	251,6	1.090,2	803,8	266,6	1.062,3	759,5	280,9	1.032,0
	6	872,9	255,2	1.120,5	829,6	270,2	1.091,6	783,9	284,7	1.060,0
	7	900,0	258,7	1.150,9	855,4	273,9	1.121,1	808,3	288,7	1.088,3
	8	927,0	262,1	1.181,3	881,5	277,5	1.150,7	832,9	292,4	1.116,6
	9	954,0	265,5	1.211,5	907,7	281,0	1.180,2	857,7	296,1	1.144,9
WHR 292.3	4	856,6	258,7	1.107,6	813,4	274,2	1.079,4	768,6	289,0	1.049,0
	5	884,5	262,5	1.139,1	840,2	278,1	1.110,0	794,0	293,1	1.078,3
	6	912,5	266,3	1.170,8	867,2	281,9	1.140,6	819,5	297,0	1.107,6
	7	940,8	269,9	1.202,6	894,2	285,8	1.171,4	845,0	301,2	1.137,2
	8	969,1	273,5	1.234,4	921,5	289,5	1.202,3	870,7	305,2	1.166,7
	9	997,2	276,9	1.265,9	948,9	293,1	1.233,2	896,6	308,9	1.196,3
WHR 302.3	4	902,3	273,1	1.167,3	856,8	289,5	1.137,6	809,7	305,1	1.105,6
	5	931,7	277,1	1.200,5	885,1	293,6	1.169,8	836,4	309,4	1.136,5
	6	961,2	281,1	1.233,8	913,5	297,5	1.202,1	863,2	313,5	1.167,4
	7	991,0	284,9	1.267,3	941,9	301,7	1.234,5	890,1	318,0	1.198,5
	8	1.020,8	288,7	1.300,8	970,6	305,6	1.267,1	917,2	322,1	1.229,6
	9	1.050,4	292,4	1.334,0	999,5	309,4	1.299,6	944,5	326,1	1.260,8
WHR 342.3	4	993,7	302,0	1.286,6	943,5	320,1	1.254,0	891,6	337,4	1.218,9
	5	1.026,0	306,4	1.323,2	974,6	324,6	1.289,5	921,1	342,1	1.252,9
	6	1.058,5	310,8	1.359,9	1.005,9	329,0	1.325,1	950,6	346,7	1.286,9
	7	1.091,3	315,0	1.396,9	1.037,2	333,6	1.360,8	980,2	351,6	1.321,2
	8	1.124,1	319,2	1.433,8	1.068,8	338,0	1.396,7	1.010,0	356,2	1.355,5
	9	1.156,7	323,3	1.470,3	1.100,6	342,2	1.432,5	1.040,1	360,6	1.389,9
WHR 371.4	4	1.090,8	330,7	1.411,6	1.035,7	350,5	1.375,7	978,8	369,4	1.337,1
	5	1.126,3	335,5	1.451,7	1.069,9	355,5	1.414,7	1.011,1	374,6	1.374,5
	6	1.161,9	340,3	1.492,0	1.104,2	360,3	1.453,7	1.043,5	379,6	1.411,8
	7	1.198,0	345,0	1.532,6	1.138,6	365,3	1.492,9	1.076,0	385,0	1.449,4
	8	1.234,0	349,6	1.573,1	1.173,3	370,1	1.532,3	1.108,7	390,0	1.487,0
	9	1.269,8	354,0	1.613,2	1.208,2	374,7	1.571,7	1.141,8	394,9	1.524,8
WHR 376.4	4	1.104,7	334,3	1.429,0	1.048,9	354,3	1.392,6	991,3	373,4	1.353,4
	5	1.140,6	339,2	1.469,6	1.083,5	359,3	1.432,1	1.024,0	378,6	1.391,3
	6	1.176,7	344,0	1.510,4	1.118,3	364,2	1.471,6	1.056,9	383,7	1.429,0
	7	1.213,2	348,7	1.551,4	1.153,1	369,2	1.511,2	1.089,7	389,1	1.467,2
	8	1.249,7	353,3	1.592,5	1.188,3	374,1	1.551,1	1.122,9	394,2	1.505,3
	9	1.286,0	357,8	1.633,1	1.223,6	378,7	1.591,0	1.156,4	399,1	1.543,5

Total heat recovery ratings WHR 391.4÷451.4 (HFC 407C)

Unit size	Evap. leaving water temp. °C	LEAVING HEAT RECOVERY CONDENSER WATER TEMPERATURE - ° C								
		35			40			45		
		Cooling capacity kW	Power input kW	Heating capacity kW	Cooling capacity kW	Power input kW	Heating capacity kW	Cooling capacity kW	Power input kW	Heating capacity kW
WHR 391.4	4	1.142,2	344,9	1.476,8	1.084,6	365,5	1.439,1	1.024,9	385,2	1.398,5
	5	1.179,4	349,9	1.518,8	1.120,3	370,7	1.479,9	1.058,7	390,6	1.437,6
	6	1.216,7	354,9	1.561,0	1.156,3	375,7	1.520,8	1.092,7	395,9	1.476,7
	7	1.254,4	359,8	1.603,4	1.192,3	380,9	1.561,8	1.126,7	401,5	1.516,1
	8	1.292,2	364,6	1.645,8	1.228,6	385,9	1.603,0	1.160,9	406,7	1.555,4
	9	1.329,7	369,2	1.687,8	1.265,2	390,8	1.644,2	1.195,6	411,7	1.595,0
WHR 396.4	4	1.162,1	352,3	1.503,8	1.103,5	373,3	1.465,6	1.042,8	393,5	1.424,5
	5	1.199,9	357,4	1.546,6	1.139,8	378,6	1.507,1	1.077,2	399,0	1.464,3
	6	1.237,9	362,5	1.589,5	1.176,4	383,7	1.548,7	1.111,8	404,4	1.504,0
	7	1.276,3	367,4	1.632,7	1.213,0	389,1	1.590,4	1.146,4	410,1	1.544,2
	8	1.314,7	372,3	1.675,8	1.250,0	394,2	1.632,4	1.181,3	415,4	1.584,2
	9	1.352,9	377,1	1.718,6	1.287,2	399,1	1.674,3	1.216,5	420,6	1.624,5
WHR 401.4	4	1.187,8	359,4	1.536,5	1.127,9	380,9	1.497,3	1.065,8	401,5	1.455,3
	5	1.226,5	364,6	1.580,2	1.165,1	386,3	1.539,8	1.101,0	407,1	1.495,9
	6	1.265,3	369,9	1.624,1	1.202,5	391,5	1.582,3	1.136,3	412,6	1.536,5
	7	1.304,5	374,9	1.668,2	1.239,9	397,0	1.624,9	1.171,7	418,4	1.577,5
	8	1.343,8	379,9	1.712,3	1.277,7	402,2	1.667,8	1.207,3	423,9	1.618,5
	9	1.382,8	384,7	1.756,0	1.315,7	407,2	1.710,7	1.243,3	429,1	1.659,6
WHR 421.4	4	1.233,5	373,8	1.596,1	1.171,3	396,2	1.555,5	1.106,8	417,6	1.511,9
	5	1.273,7	379,2	1.641,5	1.209,9	401,8	1.599,6	1.143,4	423,4	1.554,1
	6	1.314,0	384,7	1.687,1	1.248,7	407,2	1.643,7	1.180,1	429,1	1.596,3
	7	1.354,7	389,9	1.732,9	1.287,6	412,9	1.688,1	1.216,8	435,2	1.638,9
	8	1.395,5	395,1	1.778,7	1.326,9	418,3	1.732,6	1.253,8	440,9	1.681,4
	9	1.436,0	400,1	1.824,1	1.366,3	423,5	1.777,1	1.291,2	446,3	1.724,1
WHR 431.4	4	1.279,2	388,3	1.655,9	1.214,7	411,5	1.613,8	1.147,9	433,8	1.568,6
	5	1.320,8	394,0	1.703,0	1.254,7	417,4	1.659,6	1.185,7	439,8	1.612,4
	6	1.362,7	399,6	1.750,3	1.295,0	423,0	1.705,3	1.223,8	445,7	1.656,2
	7	1.404,9	405,0	1.797,8	1.335,3	428,9	1.751,3	1.261,9	452,0	1.700,3
	8	1.447,2	410,4	1.845,3	1.376,0	434,5	1.797,5	1.300,3	457,9	1.744,5
	9	1.489,2	415,6	1.892,4	1.417,0	439,9	1.843,7	1.339,0	463,6	1.788,8
WHR 451.4	4	1.324,9	402,7	1.715,6	1.258,0	426,8	1.672,0	1.188,9	449,8	1.625,2
	5	1.368,0	408,6	1.764,3	1.299,5	432,9	1.719,4	1.228,1	456,2	1.670,6
	6	1.411,3	414,4	1.813,3	1.341,3	438,7	1.766,8	1.267,5	462,3	1.715,9
	7	1.455,1	420,0	1.862,5	1.383,0	444,8	1.814,4	1.307,0	468,8	1.761,7
	8	1.498,9	425,7	1.911,7	1.425,2	450,6	1.862,3	1.346,7	474,9	1.807,4
	9	1.542,4	431,1	1.960,5	1.467,6	456,2	1.910,1	1.386,9	480,8	1.853,3

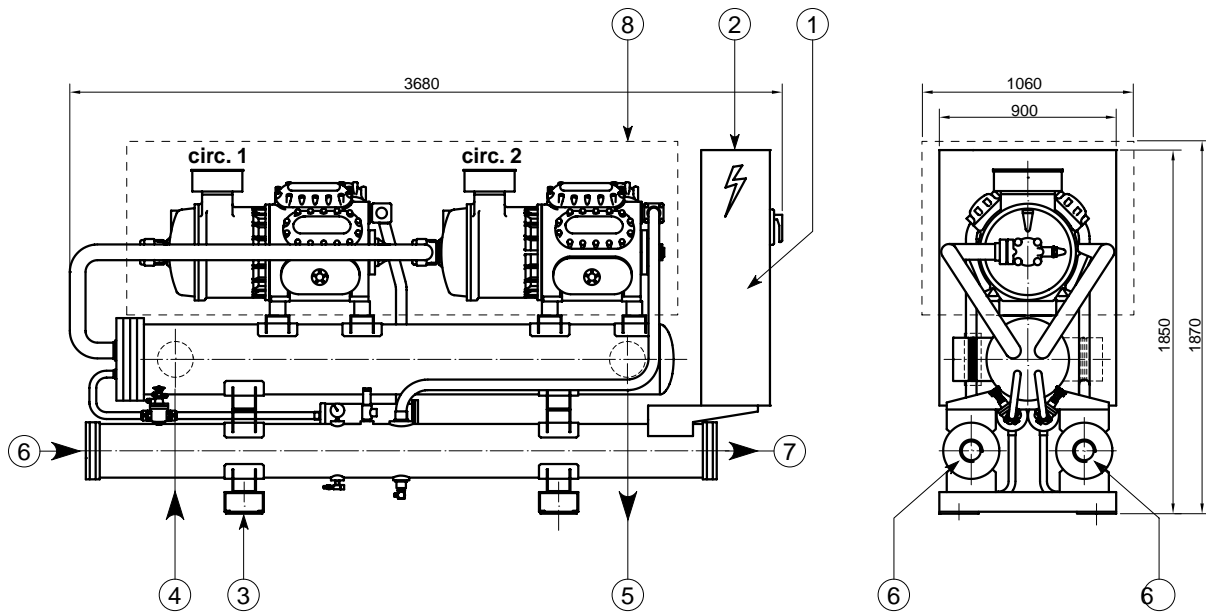
Partial heat recovery ratings WHR 103.2÷451.4 (HCFC 22)

Unit size		LEAVING DESUPERHEATERS WATER TEMPERATURE - ° C		
		40	45	50
		Heating capacity kW	Heating capacity kW	Heating capacity kW
103.2	Leaving chilled water temperature 7 °C Leaving condenser water temperature 35°C	64	56	46
107.2		69	60	50
113.2		74	64	54
132.2		85	73	61
143.2		96	82	68
162.2		103	89	74
173.2		110	96	80
183.2		118	103	87
193.2		129	112	94
211.2		137	119	101
222.2		148	128	108
242.2		158	137	114
252.3		165	144	120
262.3		173	151	127
282.3		181	158	134
292.3		189	165	141
302.3		200	174	148
342.3		222	192	162
371.4		244	210	176
376.4		246	213	181
391.4	252	220	188	
396.4	259	224	189	
401.4	263	229	195	
421.4	274	238	202	
431.4	285	247	209	
451.4	296	256	216	

Partial heat recovery ratings WHR 103.2÷451.4 (HFC 407C)

Unit size		LEAVING DESUPERHEATERS WATER TEMPERATURE - ° C		
		40	45	50
		Heating capacity kW	Heating capacity kW	Heating capacity kW
103.2	Leaving chilled water temperature 7 °C Leaving condenser water temperature 35°C	56	47	36
107.2		60	51	40
113.2		64	54	43
132.2		74	62	48
143.2		84	69	54
162.2		90	75	58
173.2		96	81	63
183.2		103	87	69
193.2		112	95	74
211.2		119	101	80
222.2		129	108	85
242.2		137	116	90
252.3		144	122	95
262.3		151	128	100
282.3		157	134	106
292.3		164	139	111
302.3		174	147	117
342.3		193	162	128
371.4		212	177	139
376.4		214	180	143
391.4	219	186	149	
396.4	225	189	149	
401.4	229	194	154	
421.4	238	201	160	
431.4	248	209	165	
451.4	258	216	171	

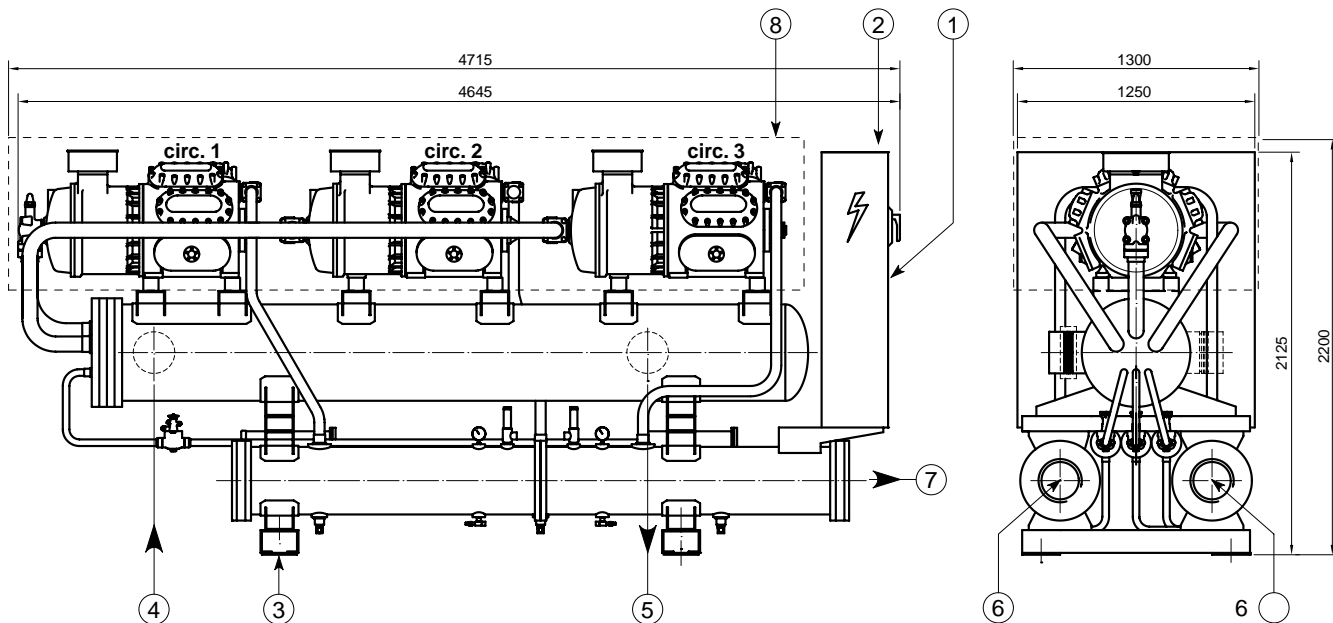
Dimensions WHR 103.2÷222.2 - 1 pass version



Legend

- 1 Electrical control panel
- 2 Power connections slot
- 3 4 isolator mounting holes \varnothing 28 mm (optional)
- 4 Evaporator water inlet (Victaulic connection)
- 5 Evaporator water outlet (Victaulic connection)
- 6 Condenser water inlet connection
- 7 Condenser water outlet connection
- 8 Compressor enclosure (optional)

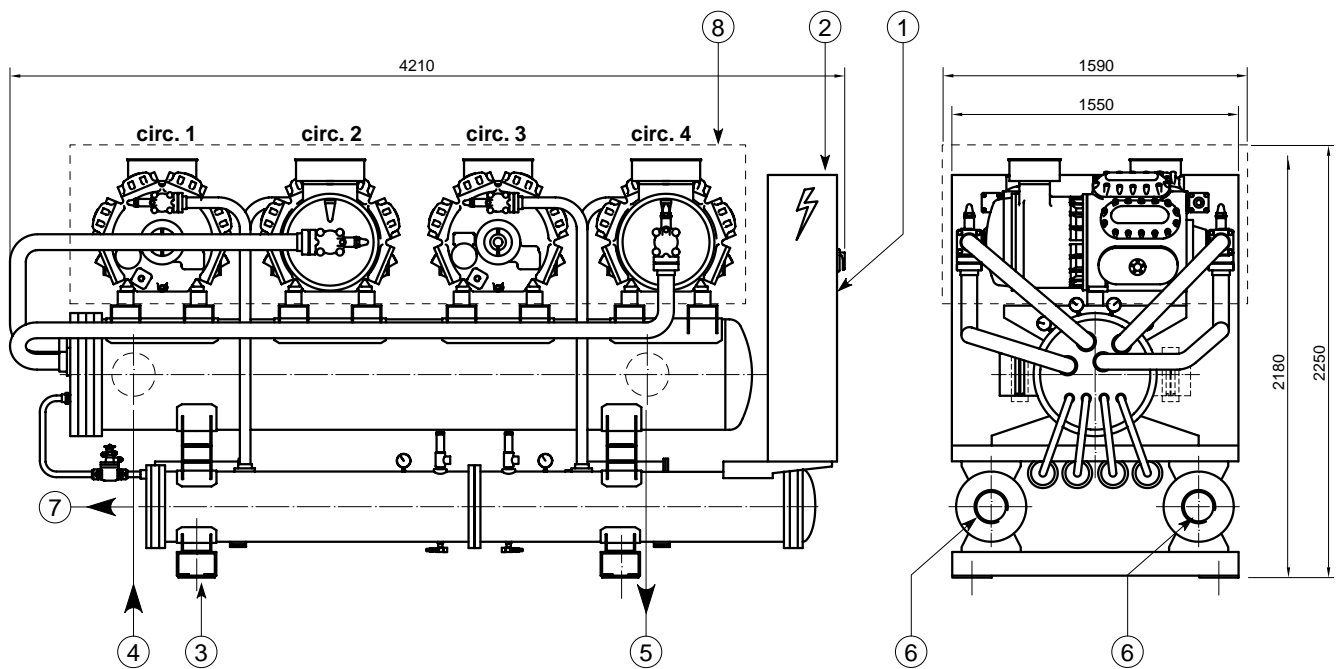
Dimensions WHR 242.3÷342.3 - 1 pass version



Legend

- 1 Electrical control panel
- 2 Power connections slot
- 3 4 isolator mounting holes \varnothing 28 mm (optional)
- 4 Evaporator water inlet (Victaulic connection)
- 5 Evaporator water outlet (Victaulic connection)
- 6 Condenser water inlet connection
- 7 Condenser water outlet connection
- 8 Compressor enclosure (optional)

Dimensions WHR 371.4÷451.4 - 1 pass version



Legend

- 1 Electrical control panel
- 2 Power connections slot
- 3 4 isolator mounting holes \varnothing 28 mm (optional)
- 4 Evaporator water inlet (Victaulic connection)
- 5 Evaporator water outlet (Victaulic connection)
- 6 Condenser water inlet connection
- 7 Condenser water outlet connection
- 8 Compressor enclosure (optional)

We reserve the right to make changes in design and construction at any time without notice, thus the cover picture is not binding.

McQuay partecipa al programma di
Certificazione Eurovent.
I prodotti interessati figurano nella Guida
Eurovent dei Prodotti Certificati.



McQuay is participating in the Eurovent
Certification Programme
Product are as listed in the Eurovent
Directory of Certified Products

McQuay[®]
Air Conditioning

McQuay Italia S.p.A.

S.S. Nettunense, km 12+300 - 00040 Cecchina (Roma) Italia - Tel. (06) 937311 - Fax (06) 9374014 - E-mail: info@mcquayeuropa.com - www.mcquayeuropa.com