


Det. no:		No:		Denomination			Material		Dimension		Note	
Designed	F.T.	Drawn	F.T.	Copy	Checked	Standard	Approved	Scale	1:10	Replaced By	Replaces	
 Lindab Climate AB				<b>PLAFOND B</b> <b>MOUNTING &amp; DIMENSION</b>					File Name I085163C		Date 080614	
									Drawing No: I 085163 C			

Nr	Ant	Change	Date	Inf.	Appr.
C		Changed	080623	F.T.	

Nr	Ant	Change	Date	Inf.	Appr.
B		43x7(2x) was $\phi 7(2x)$	080620	F.T.	
C		Changed	080623	F.T.	

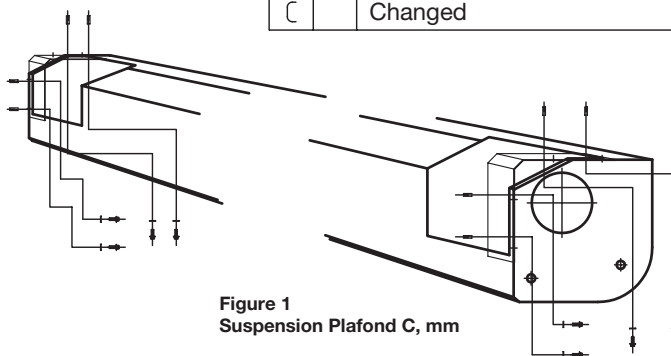
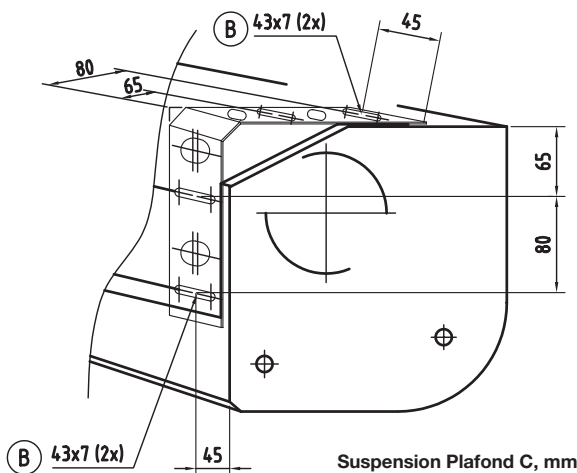
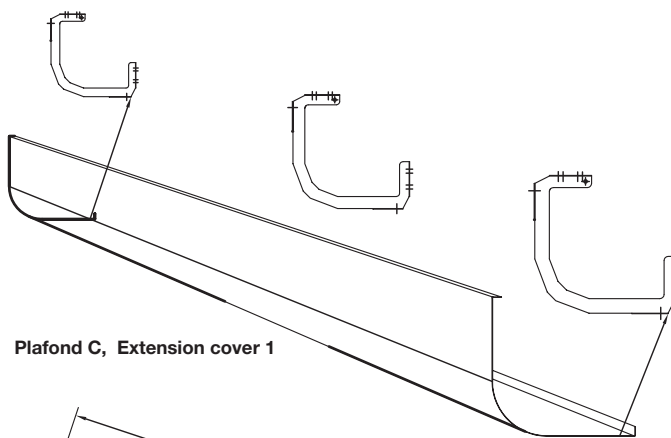


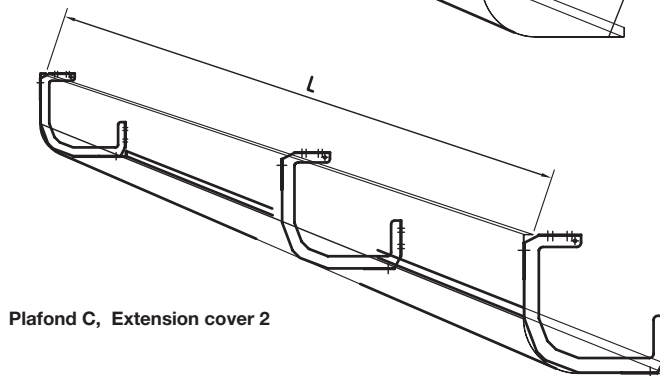
Figure 1  
Suspension Plafond C, mm




Suspension Plafond C, mm



Plafond C, Extension cover 1



Plafond C, Extension cover 2

Det. no:	No:	Denomination			Material		Dimension	Note	
Designed	Drawn	Copy	Checked	Standard	Approved	Scale	1:10	Replaced By	Replaces
F.T.	F.T.							File Name	Date
 Lindab Climate AB		<b>PLAFOND C</b> <b>MOUNTING &amp; DIMENSION</b>					1085162C Date 080614 Drawing No: 1 085162 C		

1

2

3

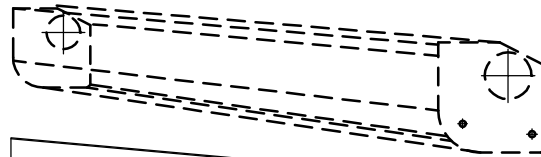
4

5

1 2 3 4 5

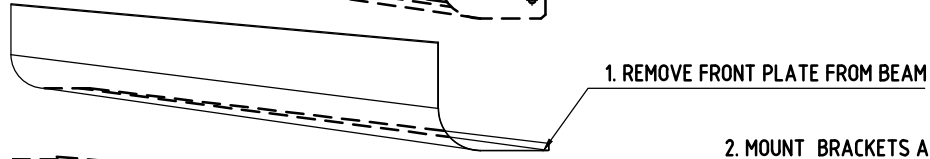
Nr	Ant	Ändring	Datum	Inf.	Godk.
----	-----	---------	-------	------	-------

A



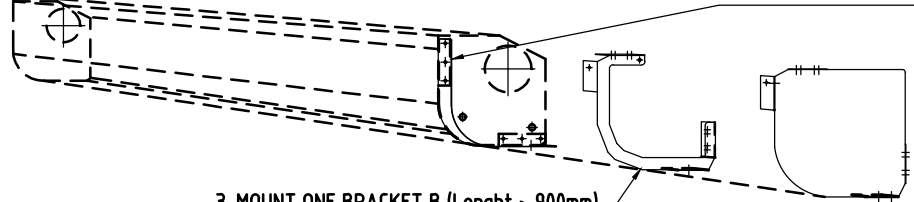
A

B



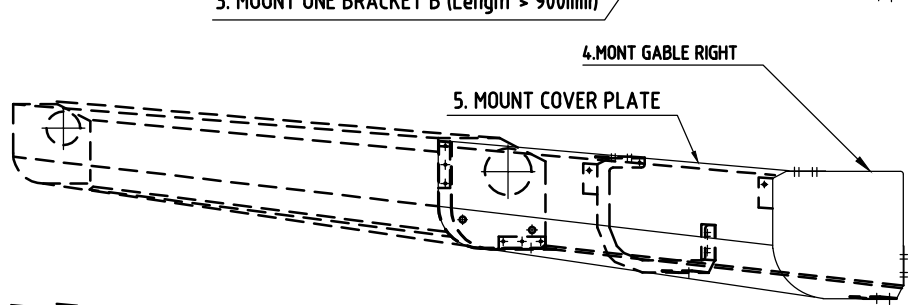
B

C



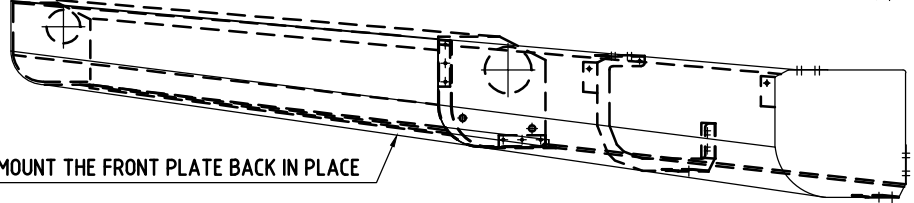
C

D



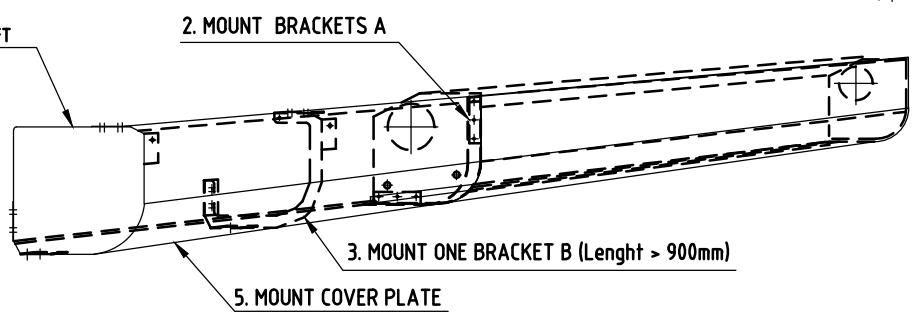
D

E



E

F



F

NB! Lengths up to 900mm use bracket A and gable.  
 Lengths over 900mm up to 1900mm use one bracket A, one bracket B and gable.  
 Lengths over 1900mm use one bracket A, two brackets B and gable.  
 Order length L is the distans between, gable (beam) and gable (cover)

G

5	1	Gable smooth Left			P 085068 B
4	1	Gable smooth Right			P 085079 B
3	0-2	Bracket B			P 023040 D
2	2	Bracket A			P 075043 A
1	1	Cover plate			P 075044 C

G

H

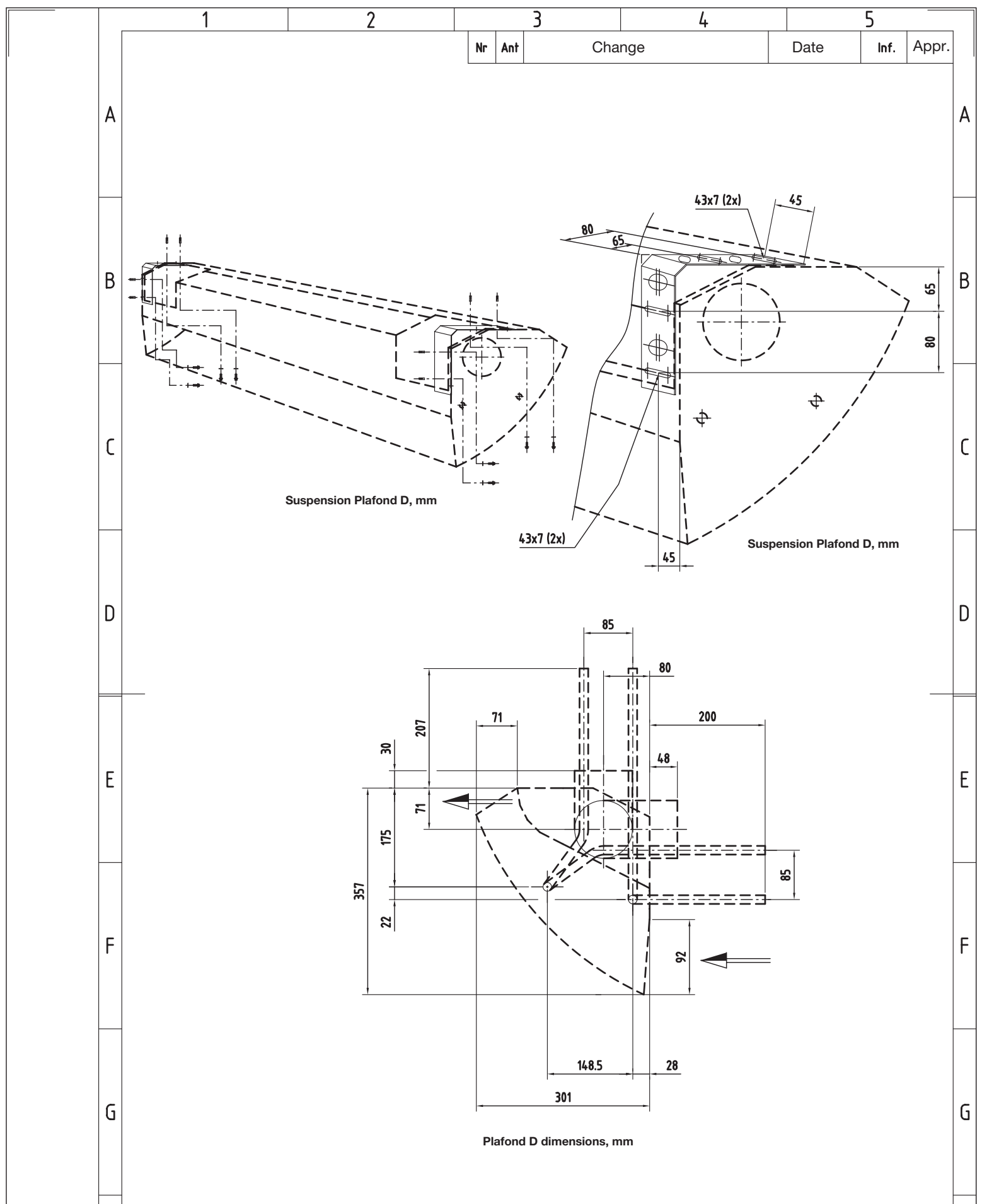
Det. no:	No:	Denomination	Material	Dimension	Note
Designed F.T.	Drawn F.T.	Copy	Checked	Standard	Approved
				Scale	1:12
				Replaced By	Replaces
				File Name	1115067A
				Date	110321
				Drawing No:	I 115067 A

H



PLAFOND C - OVERLAP  
 MOUNTING - COVER

1 2 3 4 5



Nr	Ant	Change	Date	Inf.	Appr.
----	-----	--------	------	------	-------

Det. no:	No:	Denomination	Material	Dimension	Note
Designed F.T.	Drawn F.T.	Copy	Checked	Standard	Approved
				Scale 1:10	Replaced By
				File Name I085232A	Replaces
				Drawing No: I 085232 A	Date 080813



**PLAFOND D  
MOUNTING & DIMENSION**