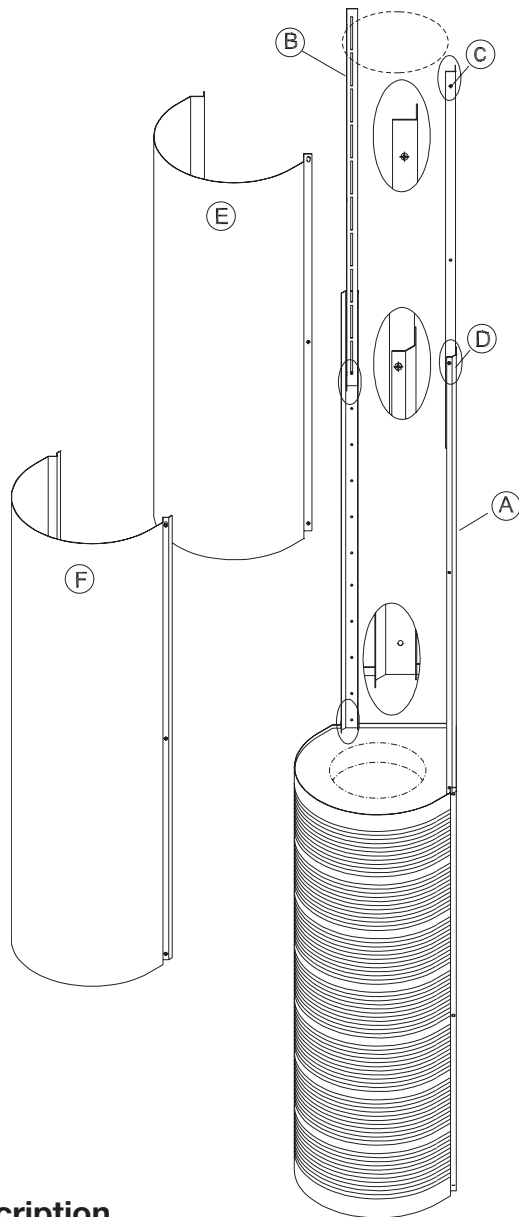




# Duct flashing, corner

CQAZ-0



## Detail

Fig. 1

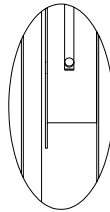


Fig. 2

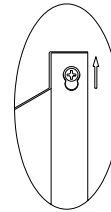
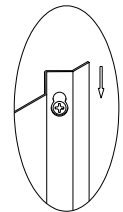
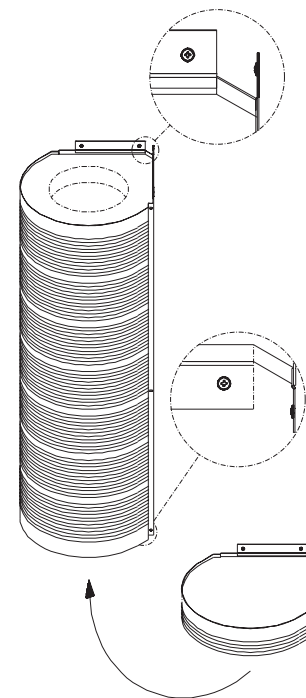


Fig. 3



## Mounting of CQAZ-3



## Description

- 1: The lower wall profiles (A) are mounted in the wall on both sides of the Comdiff. The upper wall profiles (B) are mounted in A (see fig. 1) and are pushed towards the ceiling. The upper wall profiles are mounted on the wall in this position.
- 2: At the top of the upper wall profiles (B) the M4, 25 mm are mounted (C). The upper frontplate (E) is placed on the screws (C) see fig. 2. The rest of the M4, 25 mm screws are used for mounting of the upper frontplate, all screws are tightened.
- 3: At the top of each wall profile the M4, 10 mm (D) are placed. The lower frontplate (F) is placed on the screws (D) see fig. 3. The rest of the M4, 10 mm screws are used for mounting of the lower frontplate, all screws are tightened.

## Duct flashing consists of:

Pos	Amount	Description
A:	2	Lower wall profile
B:	2	Upper wall profile
C:	6	Screw M4, 25 mm
D:	6	Screw M4, 10 mm
E:	1	Upper frontplate.
F:	1	Lower frontplate.