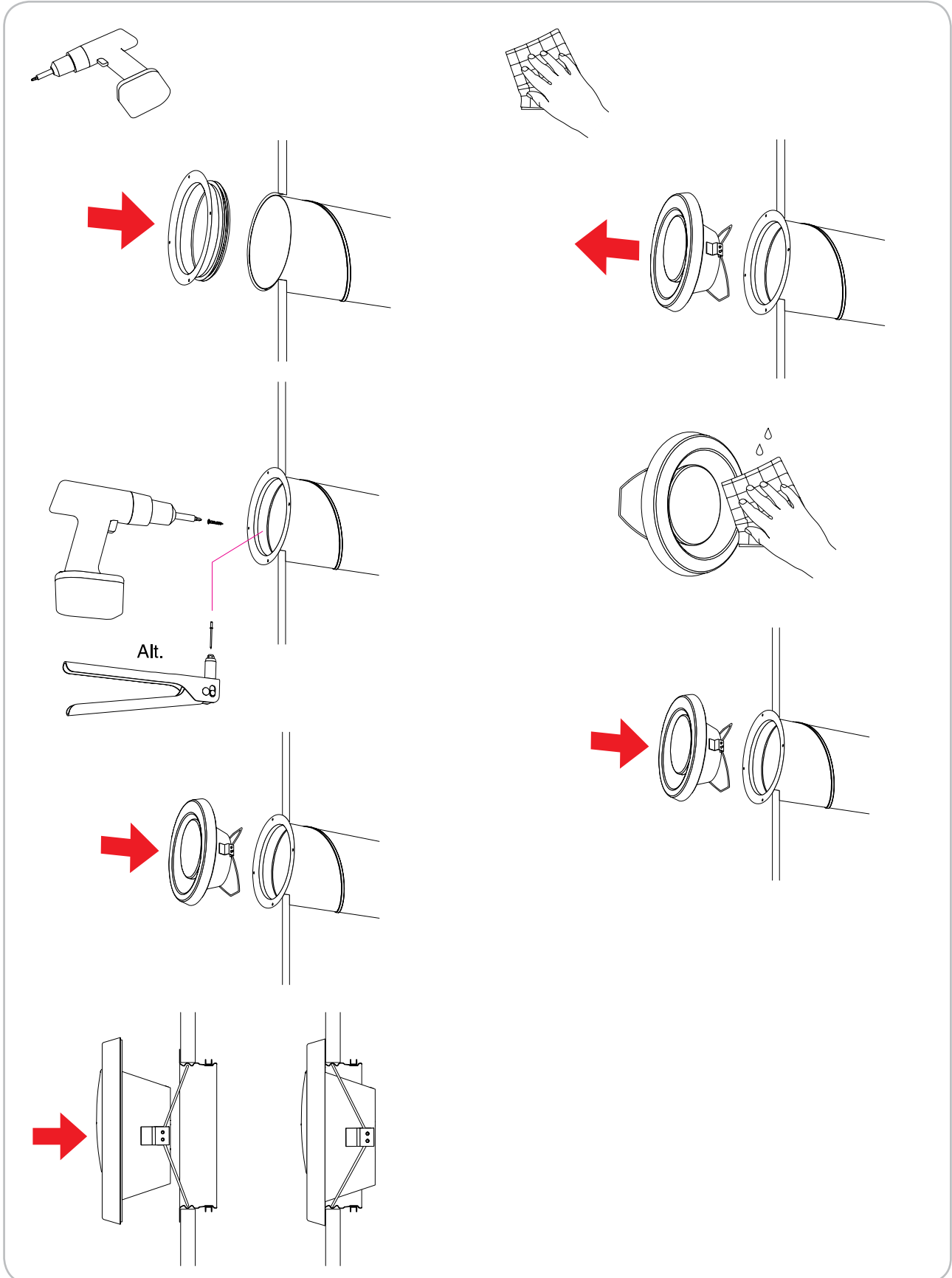




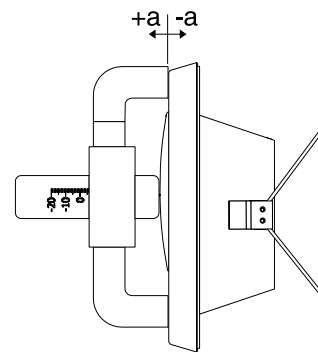
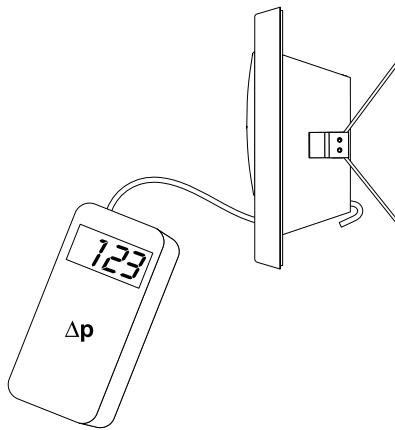
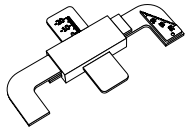
Valve

KVB





Valve KVB



Ø mm	Valve mounted in	Setting a [mm]						
		a	-11	-9	-6	0	6	9
100	Duct	a	0,600	0,693	1,29	1,42	2,16	2,38
	Bend 90°	k	0,590	0,655	1,01	1,53	2,12	2,24
	T-piece		0,606	0,707	1,04	1,55	2,01	-
125	Duct	a	-18	-12	-6	0	6	
	Bend 90°	k	1,32	1,88	2,47	3,01	3,46	
	T-piece		1,26	1,80	2,46	2,90	3,46	
160	Duct	a	-24	-18	-12	-6	0	6
	Bend 90°	k	2,05	2,50	3,31	4,23	5,11	5,73
	T-piece		1,76	2,33	3,15	3,93	4,72	5,29
			-	2,80	3,29	4,04	4,88	5,41