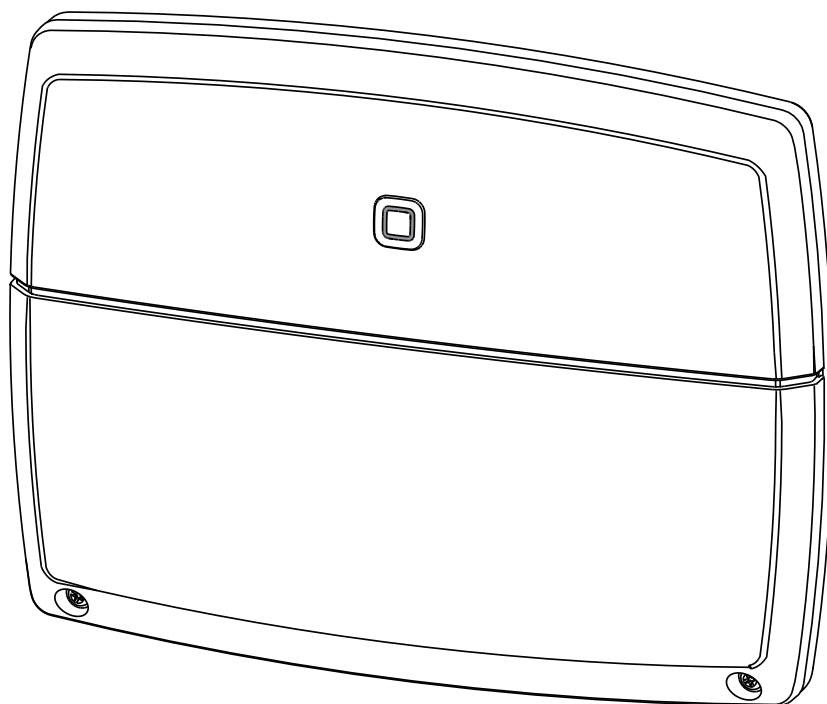


# Alpha IP

**MIOB 21001**



ENG

DAN

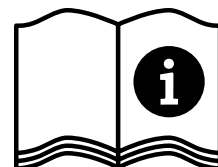
NOR

FIN

SWE

POL

RUS

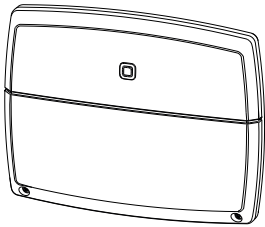




	→	2
	→	3
ENG	→	3
DAN NOR	→	16
FIN	→	29
SWE	→	42
POL	→	55
RUS	→	68



1x



4x



4,0 x 40 mm

4x



6 mm

ENG

DAN

NOR

FIN

SWE

POL

RUS

<b>1</b>	<b>About these instructions</b>	<b>4</b>
1.1	Validity, storage and forwarding of the instructions	4
1.2	Symbols	4
<b>2</b>	<b>Safety</b>	<b>4</b>
2.1	Intended use	4
2.2	Safety notes	4
<b>3</b>	<b>Function</b>	<b>5</b>
<b>4</b>	<b>Device overview</b>	<b>5</b>
4.1	Operating elements	5
4.2	Connections	6
4.3	Technical data	6
<b>5</b>	<b>Installation</b>	<b>7</b>
5.1	On-surface	7
5.2	DIN rail (optional)	7
<b>6</b>	<b>Connection</b>	<b>8</b>
6.1	Supply connection	8
6.2	Boiler connection (4.1/4.2)	8
6.3	Air dehumidifier connection (Access Point variant)	9
6.4	Change over pilot connection (Access Point variant)	9
6.5	Pump connection (5.1/5.2/5.3)	10
6.6	Humidity sensor connection (6.3/6.4)	10
6.7	External change over signal connection (6.1/6.2)	11
6.8	External timer connection (Access Point variant)	11
6.9	Temperature limiter connection (Access Point variant)	12
<b>7</b>	<b>Commissioning</b>	<b>12</b>
7.1	Teach-in without Alpha IP Access Point (stand-alone operation)	12
7.2	Teach-in to Alpha IP Access Point	13
<b>8</b>	<b>Displays</b>	<b>14</b>
<b>9</b>	<b>Cleaning</b>	<b>14</b>
<b>10</b>	<b>Restoring factory settings</b>	<b>14</b>
<b>11</b>	<b>Decommissioning</b>	<b>14</b>
<b>12</b>	<b>Disposal</b>	<b>15</b>

## 1 About these instructions

### 1.1 Validity, storage and forwarding of the instructions

These instructions apply to the Alpha IP Multi-IO Box 21001 (MIOB). These instructions include information necessary for the commissioning. These instructions must be read completely and thoroughly before commencing any work with the device. These instructions must be kept and to be handed over to future users.



These instructions as well as constantly up-to-date additional Alpha IP system information can be found under [www.alphaip.de](http://www.alphaip.de).



System information, functions and operating steps from the Alpha IP Access Point (HAP 2001) instructions must be followed.

### 1.2 Symbols

The following symbols are used in this manual:



**Hazard symbols:** Indicates a hazard



**Note:** Identifies important or useful information



Preconditions



Result from an action



List without fixed order

1., 2. List with fixed order

## 2 Safety

### 2.1 Intended use

The Alpha IP Multi-IO Box (MIOB) station is a component of the Alpha IP Systems and serves

- for the functional extension of the Alpha IP indoor environment solution for radiant heating.
- for the connection of recirculation pump and boiler
- for the connection of temperature or humidity sensor
- for dew point monitoring
- for the control of operating modes

Every other use, modification and conversion is expressly forbidden. Improper use leads to dangers the manufacturer cannot be held liable for and will exempt guarantees and liabilities.

### 2.2 Safety notes

All safety notes in these instructions must be observed in order to avoid accidents with personal damage or property damage. No liability is assumed for personal damage and property damage caused by improper use or non-observance of the danger notes. In such cases any warranty claim is invalid. There is no liability for consequential damages.

- Only an authorised electrician may open the device.
- Do not operate the device without device cover.
- Only use the product if it is in flawless state.
- This unit is not intended to be used by persons (including children) with restricted physical, sensory or mental skills or who lack experience or knowledge. If necessary, these persons must be supervised by a person responsible for their safety or receive instructions from this person on how to use this unit.
- Ensure that children do not play with this device or its packaging. Children must be monitored if necessary.
- In case of emergency, disconnect the complete room-by-room temperature control system.
- Observe the performance limits of the device and its environmental conditions.
- Lay the cables of connected consumers in a way that they do not lead to dangers (e. g. trip hazards) for persons and pets.
- Only operate the device in a dry and dust-free environment.
- Do not expose the device to the influence of humidity, vibration, continuous solar radiation or other types of radiation, coldness or mechanical load.

### 3 Function

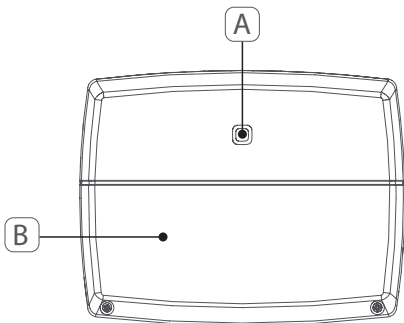
The Alpha IP Multi-IO Box is the central control unit for the switching of recirculation pumps and boilers in environments of residential use. The device allows the regulation of the room or water temperature via the Alpha IP app or as standalone variant via room control unit.

Communication with other components is performed via the Homematic (HmIP) radio protocol. Radio transmission is realised on a non-exclusive transmission path; thus, interference cannot be completely excluded. Interference can be caused e. g. by switching processes, electric motors or defective electric appliances.

Information about the functional extent of the device in conjunction with other components within the Alpha IP system can be taken from the Alpha IP user manual.

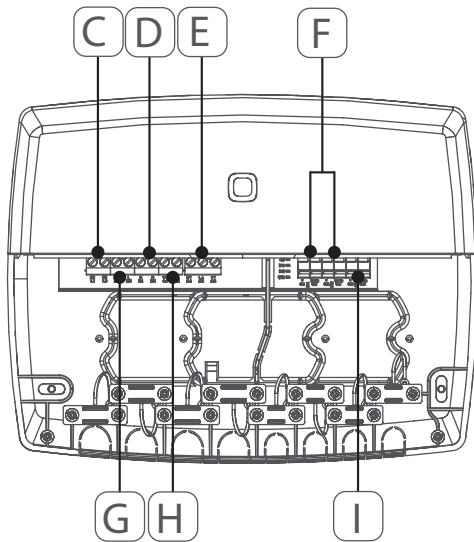
### 4 Device overview

#### 4.1 Operating elements



- (A) System key (teach-in key and LED)
- (B) Cover

## 4.2 Connections



- (C) Connection terminals for PE (earthing conductor)
- (D) Connection terminals for N (neutral conductor)
- (E) Connection terminal block 5 (changeable: 2 = closing contact / 1 = opening contact. e. g. for the connection of recirculating pump, air dehumidifier, CO pilot)
- (F) Connection terminals for IN1/IN2 (heating, cooling or ECO operation, temperature limiter or humidity sensor)
- (G) Connection terminals for L (external conductor)
- (H) Connection terminal 4 (e. g. for connection of boiler, air dehumidifier, CO pilot)
- (I) Connection terminal for AOUI (0-10 V output)
- (J) LEDs for connection display: Pump (5.2), boiler (4.2), status input 1 (IN1), status input 2 (IN2), power supply (PWR) and change-over status (C/O)



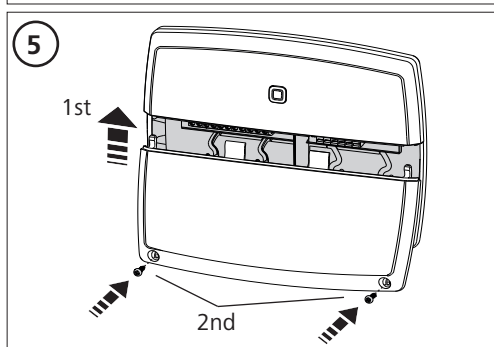
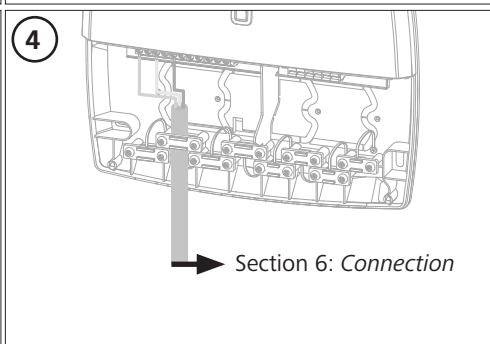
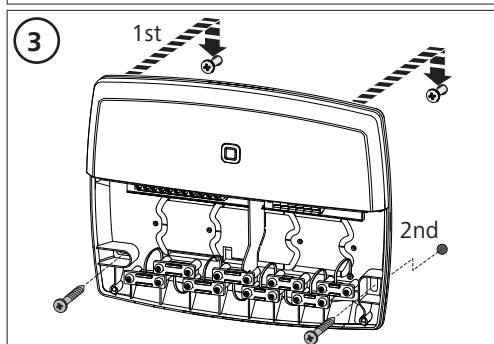
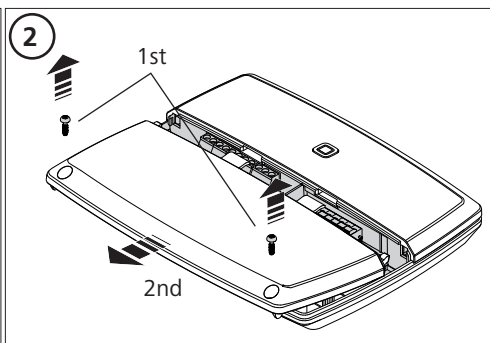
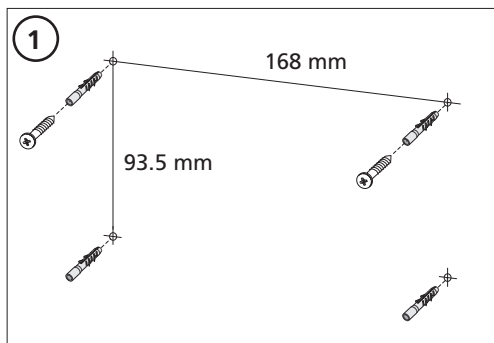
Connection terminal AOUI (I) is currently without function.

## 4.3 Technical data

Short designation of the device	ALPHA-IP-MIOB
Supply voltage	230 V / 50 Hz
Power consumption	max. 16 A
Max. switching power, output 1	3680 W, $\cos\phi \geq 0.95$ (potential-free)
Max. switching power, output 2	1840 W, $\cos\phi \geq 0.95$ (potential-free)
Line type and line section	solid and stranded cables 0.75 – 2.5 mm <sup>2</sup>
Protection type	IP20
Protection class	II
Ambient temperature	0 to 50°C
Dimensions (W x H x D)	198.6 x 155.8 x 33.5 mm
Weight	365 g
Radio frequency	868.3 MHz/869.525 MHz
Receiver category	SRD category 2
Typical radio range	375 m
Duty cycle	< 1 % per h / < 10 % per h
Guidelines	2014/53/EU Radio installations 2014/30/EU EMC 2011/65/EU RoHS 2014/35/EU Low-Voltage Directive

## 5 Installation

### 5.1 On-surface



### 5.2 DIN rail (optional)

**i** Information about the installation of the Multi-IO Box on a DIN rail can be taken from the operating instructions of the optionally available DIN rail adapter.

ENG

DAN

NOR

FIN

SWE

POL

RUS

## 6 Connections



### WARNING

**Danger to life due to the electrical voltage at the Multi-IO Box!**

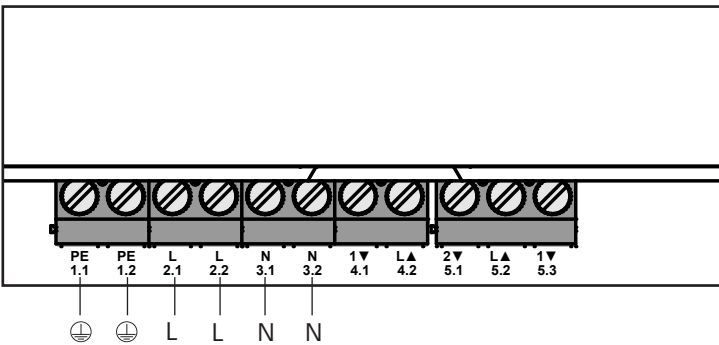
- Only an authorised electrician may open the device.
- Always disconnect from the mains network and secure against unintended activation before opening.
- Disconnect external voltages and secure against activation.

The wiring of the MIOB depends on several factors and must be planned and carried through carefully by the installer.

The following cross-sections are applicable for plug-in/clamping connections:

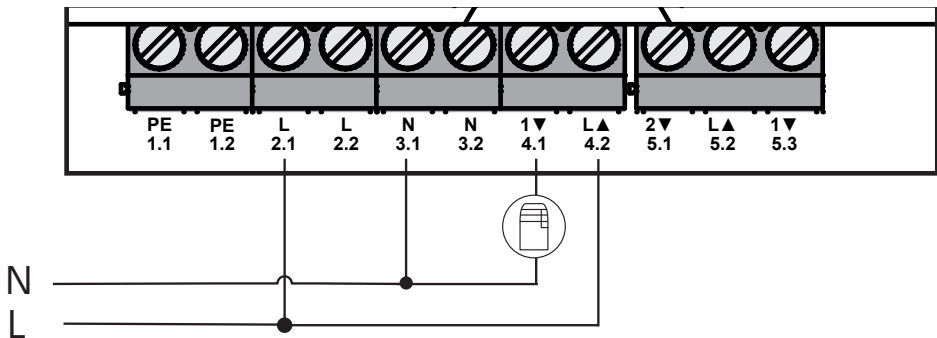
- solid wire: 0.75 – 2.5 mm<sup>2</sup>
- stranded wire (with and without end sleeves): 0.75 – 2.5 mm<sup>2</sup>
- 8 - 9 mm insulation stripped off the wire

### 6.1 Supply connection



### 6.2 Boiler connection (4.1/4.2)

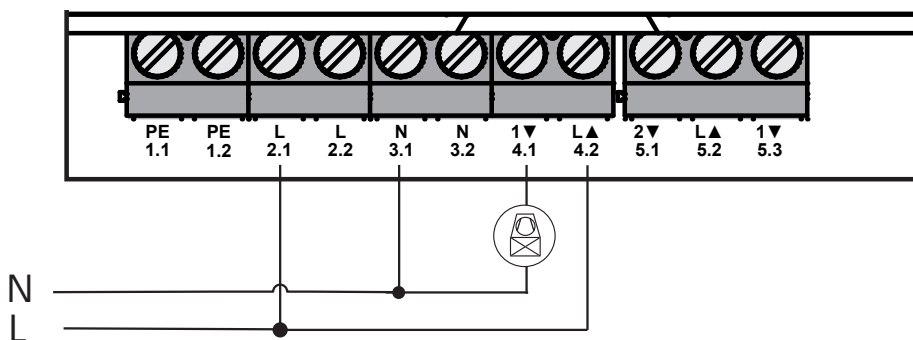
The terminal 4.1/4.2 is a relay as potential-free switch. For the standalone variant, only the boiler is connected. If the Alpha IP Access Point is operated using the Alpha IP app, the terminal can also be used for air dehumidifiers or for the Change Over Pilot (CO Pilot). Alternatively, with Homematic CCU 2 it is possible to use the terminal as a switch actuator.





### 6.3 Air dehumidifier connection (Access Point variant)

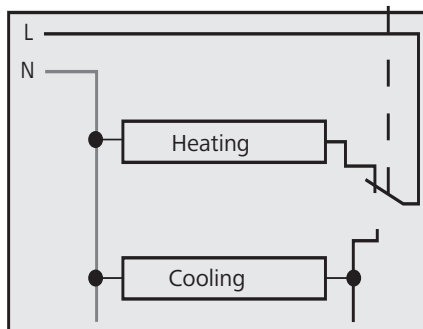
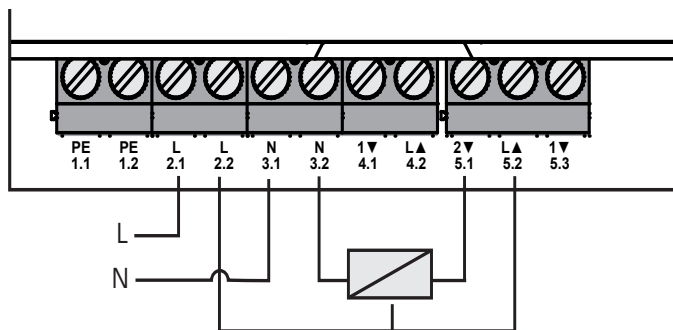
The Access Point variant allows the operation of a dehumidifier. The dehumidifier can be connected to terminal 4.1/4.2 (see figure) as well as to the terminal 5.2/5.3. Excessive humidity values in the room air can be lowered with the air dehumidifier.



### 6.4 Change over pilot connection (Access Point variant)

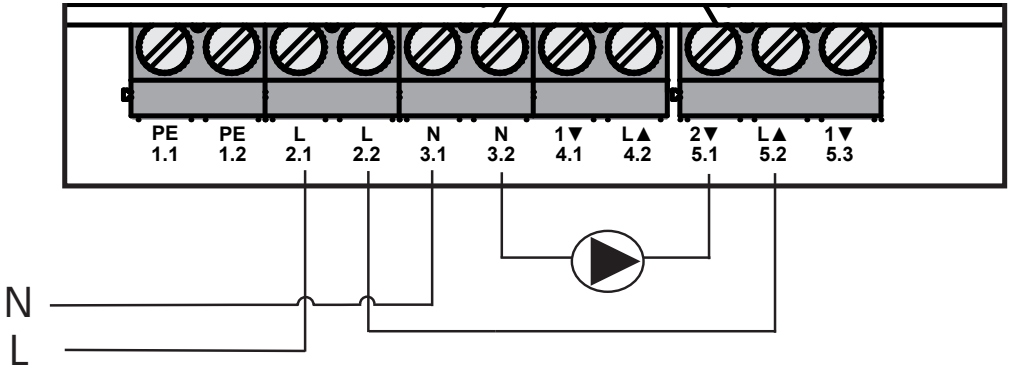
The Access Point variant allows to connect an internal pilot function for toggling the overall system between the operating modes Heating and Cooling.

The CO pilot output signal can be connected to the terminal 4.1/4.2 as well as to the terminal 5.2/5.3 (fig.).



### 6.5 Pump connection (5.1/5.2/5.3)

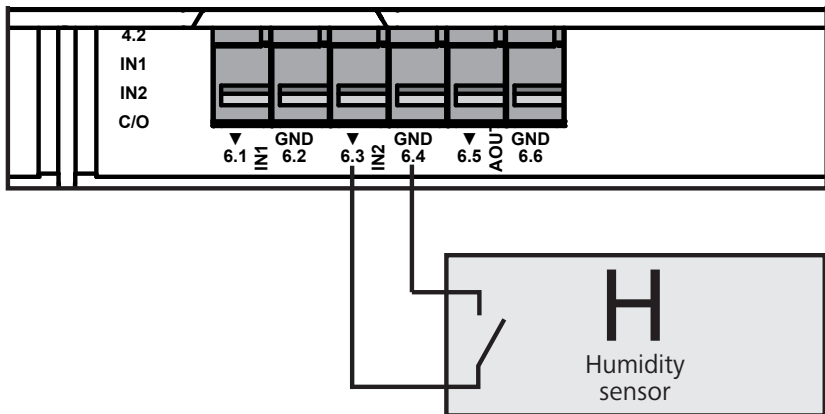
Terminal 5.1/5.2/5.3 is a switching relay as potential-free change-over switch. For the standalone variant, only the pump is connected. If the Alpha IP Access Point is operated using the Alpha IP app, the terminal can also be used for air humidity sensors or for the CO pilot.



### 6.6 Humidity sensor connection (6.3/6.4)

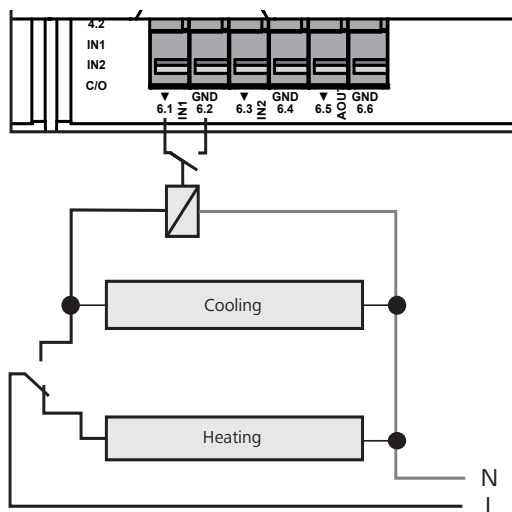
Terminal 6.3/6.4 (IN2) is an input for potential-free contacts. For the standalone variant, only the humidity sensor is connected. If the Alpha IP Access Point is operated using the Alpha IP app, the terminal can also be used for temperature limiters (TL) or as external clock (ECO). A Homematic CCU 2 allows to control all inputs and outputs individually.

Humidity sensors (to be provided by the customer) serve for dewing protection in the cooling mode.



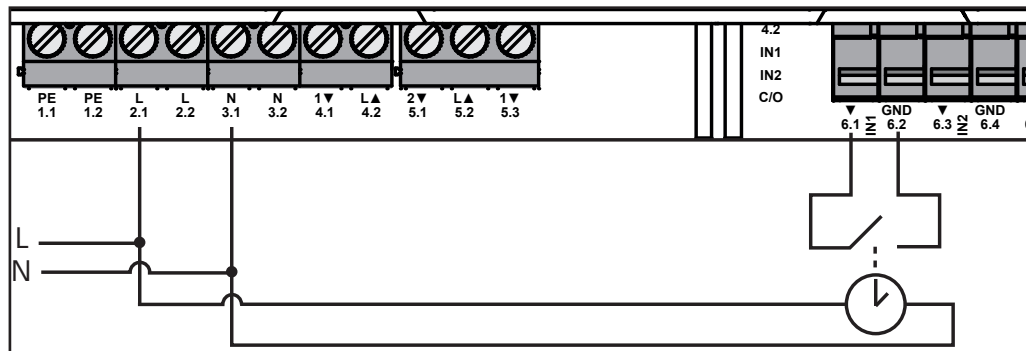
### 6.7 External change over signal connection (6.1/6.2)

Terminal 6.1/6.2 (IN1) is an input for potential-free contacts. For the standalone variant, only the change-over signal (CO) is connected. If the Alpha IP Access Point is operated using the Alpha IP app, the terminal can also be used for temperature limiters (TL) or as external clock (ECO).



### 6.8 External timer connection (Access Point variant)

The Access Point variant allows the operation of an external clock. The external clock can be connected to terminal 6.1/6.2 (IN1, see figure) as well as to the terminal 6.3/6.4 (IN2). When the input is activated by the timer, the heating zones parametrised for this are switched to night operation.



ENG

DAN

NOR

FIN

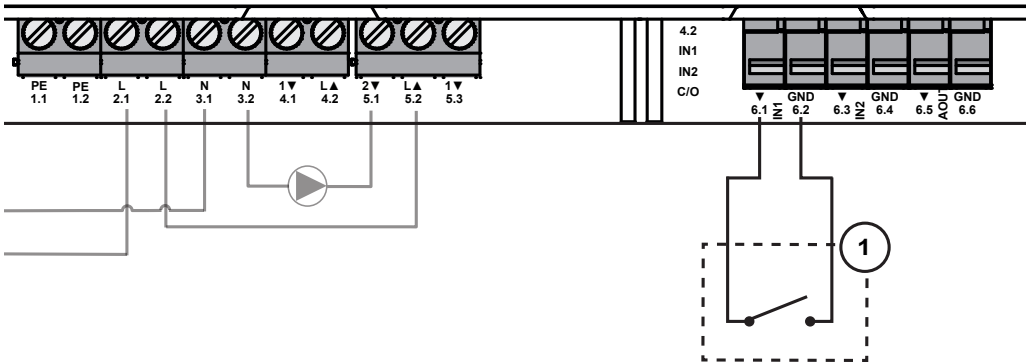
SWE

POL

RUS

## 6.9 Temperature limiter connection (Access Point variant)

The Access Point variant allows the operation of a temperature limiter (1). The temperature limiter can be connected to terminal 6.1/6.2 (IN1, see figure) as well as to the terminal 6.3/6.4 (IN2). The temperature limiter switches off the pump if too high flow temperatures for the floor heating are detected. If the TL input is switched, the base station shuts down all actuators automatically.



ENG

DAN

NOR

FIN

SWE

POL

RUS

## 7 Commissioning



Please read this section completely and carefully prior to commissioning.

The Multi-IO Box is taught in for standalone operation directly to the Alpha IP base station (FAL 21001/41001) or optionally to the Alpha IP Access Point (HAP 21001). For the variant with Alpha IP base station, the subsequent configuration is done with the Alpha IP wall thermostat (WTH or WTHP 61001); for the Alpha IP Access Point variant, configuration is done with the Alpha IP app. The device is preconfigured for the standalone solution.

### 7.1 Teach-in without Alpha IP Access Point (stand-alone operation)



Keep a minimum distance of 50 cm between the devices for teaching-in.



The teach-in process can be interrupted shortly pressing the teach-in key again. This will be confirmed by a red illumination of the LED of the Multi-IO Box.



For the integration into an existing system, first the Alpha IP base station and subsequently the Alpha IP Multi-IO Box must be brought into teach-in mode.

For a standalone operation, the teach-in of the Alpha IP Multi-IO Box station must be performed via the Alpha IP base station (FAL 21001/41001). Teach-in the device as follows:

1. Press the System key at the Alpha IP base station repeatedly, until the LEDs of all heating zones light up in green.
  2. Press the System key (A) of the Alpha IP base station for 4 seconds, until the LED of the System key flashes rapidly in orange.
- ✓ The teach-in mode is active for three minutes.
3. Press the System key (A) of the Multi-IO Box for 4 seconds, until the LED of the System key flashes in orange.



The System key LED will light up in green after a successful teach-in process. The process must be repeated if the LED lights up in red.

## 7.2 Teach-in to Alpha IP Access Point



The Alpha IP Multi-IO Box can be taught in to the Alpha IP Access Point as well as to the Homematic Central CCU2.

For a control via the Alpha IP app, the teach-in of the Alpha IP Multi-IO Box must be performed via the Access Point (HAP 21001). Teach-in the device as follows:

⇒ The Alpha IP Access Point has been set-up via the Alpha IP app (see manual HAP 21001).

1. Open the Alpha IP app on your smart phone.
  2. Select the menu item *Teach-in device*.
  3. Press the System key (A) shortly until the LED flashes slowly in orange. The teach-in mode is active for three minutes.
- ✓ The device will be displayed automatically in the Alpha IP app.
4. For confirmation, enter the last four digits of the device number (SGTIN) or scan the supplied QR code. The device number can be found below the supplied QR code or directly on the device.



The System key LED will light up in green after a successful teach-in process. The process must be repeated if the LED lights up in red.

5. Follow the directions of the app.

## 8 Displays

Display	Meaning	Solution
Short flashing, orange	Radio transmission/ transmission attempt/ data transmission	Wait until the transmission has ended.
1 long lighting, green	Process confirmed	You can continue your operations.
1 long lighting, red	Process failed	Retry.
Short flashing, orange (once every 10 seconds)	Teach-in mode active	Enter the last four digits of the serial number of the device for confirmation.
1 long lighting, red	Process failed or duty cycle limit reached	Retry.
6x long flashing, red	Device defective	Observe the information in your app or contact your specialist dealer.
1 lighting in orange and 1 lighting in green	Test indication	You can proceed after the test indication has gone out.

## 9 Cleaning

Only use a dry and solvent-free, soft cloth for cleaning.

## 10 Resetting factory settings

All settings will be lost when the factory settings are restored.

1. Keep the System key (A) pressed for 4 seconds, until it flashes rapidly in orange.
  2. Release the System key.
  3. Press the System key again for 4 seconds until it lights up in green.
  4. Release the System key again.
- ✓ The factory settings are reset.
  - ✓ The device restarts.

## 11 Decommissioning



### WARNING

#### **Danger to life due to the electrical voltage at the Multi-IO Box!**

- Only an authorised electrician may open the device.
  - Always disconnect from the mains network and secure against unintended activation before opening.
  - Disconnect external voltages and secure against activation.
1. Loosen all connected cables.
  2. Uninstall the device and dispose of properly.

## 12 Disposal



Do not dispose of the device with domestic waste! Electronic devices/products must be disposed of according to the Directive for Waste Electrical and Electronic Equipment at the local collection points for waste electronic equipment.

ENG

DAN

NOR

FIN

SWE

POL

RUS

This manual is protected by copyright. All rights reserved. It may not be copied, reproduced, abbreviated or transmitted, neither in whole nor in parts, in any form, neither mechanically nor electronically, without the previous consent of the manufacturer. © 2016



<b>1</b>	<b>Om denne vejledning</b>	<b>17</b>
1.1	Gyldighed, opbevaring og videregivelse af vejledningen	17
1.2	Symboler	17
<b>2</b>	<b>Sikkerhed</b>	<b>17</b>
2.1	Bestemmelsesmæssig brug	17
2.2	Sikkerhedshenvisninger	17
<b>3</b>	<b>Funktion</b>	<b>18</b>
<b>4</b>	<b>Oversigt over enheden</b>	<b>18</b>
4.1	Betjeningsselementer	18
4.2	Tilslutninger	19
4.3	Tekniske data	19
<b>5</b>	<b>Montering</b>	<b>20</b>
5.1	Frembygning	20
5.2	DIN-skinne (som option)	20
<b>6</b>	<b>Tilslutning</b>	<b>21</b>
6.1	Tilslutning forsyning	21
6.2	Tilslutning kedel (4.1/4.2)	21
6.3	Tilslutning luftaffugter (Access Point-variant)	22
6.4	Tilslutning Change Over Pilot (Access Point-variant)	22
6.5	Tilslutning pumpe (5.1/5.2/5.3)	23
6.6	Tilslutning fugtføler (6.3/6.4)	23
6.7	Tilslutning eksternt Change Over-signal (6.1/6.2)	24
6.8	Tilslutning eksternt tænd-sluk-ur (Access Point-variant)	24
6.9	Tilslutning temperaturbegrænser (Access Point-variant)	25
<b>7</b>	<b>Ibrugtagning</b>	<b>25</b>
7.1	Instruktion uden Alpha IP Access Point (standalone-drift)	25
7.2	Instruktion på Alpha IP Access Point	26
<b>8</b>	<b>Visninger</b>	<b>27</b>
<b>9</b>	<b>Rengøring</b>	<b>27</b>
<b>10</b>	<b>Genetablering af fabriksindstillinger</b>	<b>27</b>
<b>11</b>	<b>Ud-af-brugtagning</b>	<b>27</b>
<b>12</b>	<b>Bortskaffelse</b>	<b>28</b>



## 1 Om denne vejledning

### 1.1 Gyldighed, opbevaring og videregivelse af vejledningen

Denne vejledning gælder for Alpha IP Multi-IO boks 21001 (MIOB). Vejledningen indeholder informationer, som er nødvendige til ibrugtagning. Inden der arbejdes med enheden, skal nærværende vejledning læses fuldstændigt og grundigt. Vejledningen skal opbevares og videregives til efterfølgende brugere.



Denne vejledning og yderligere Alpha IP systeminformationer findes altid på [www.alphaip.de](http://www.alphaip.de).



Systeminformation, funktion og betjeningstrin fra vejledningen til Alpha IP Access Point (HAP 2001) skal tilgodeses.

### 1.2 Symboler

Følgende symboler bruges i denne vejledning:



**Faretegn:** Gør opmærksom på en fare



**Henvi sning:** Kendetegner en vigtig eller nyttig information

- ⇒ Forudsætning
- ✓ Resultatet, som fremkommer af en handling
- Optælling uden fast rækkefølge
- 1., 2. Anvisning med fast rækkefølge

## 2 Sikkerhed

### 2.1 Bestemmelsesmæssig brug

Alpha IP Multi-IO boksen (MIOB) er del af Alpha IP systemet og tjener

- som funktional udvidelse af Alpha IP klimaløsningen til temperering af arealer
- til tilslutning af cirkulationspumpe og fyrkedel
- til tilslutning af temperatur- eller fugtføler
- til dugpunktovervågning
- styring af driftstilstandene

Enhver anden brug, ændringer og ombygninger er udtrykkeligt forbudte. En ikke bestemmelsesmæssig brug medfører farer, som producenten ikke hæfter for, samt til garantiudelukkelse og ansvarsfrihed.

### 2.2 Sikkerhedshenvisninger

For at undgå ulykker med personskade og materiel skade skal alle sikkerhedsinformationer i nærværende vejledning overholdes. Der hæftes ikke for personskade og materiel skade, som forårsages af ukorrekt brug eller manglende overholdelse af farehenvi sningerne. I sådanne tilfælde bortfalder garantien. Der hæftes ikke for følgeskader.

- Enheden må kun åbnes af en autoriseret fagmand.
- Enheden må ikke bruges uden afskærmningen.
- Produktet må kun bruges i teknisk upåklagelig tilstand.
- Dette produkt må ikke blive betjent af personer (herunder børn) med begrænsede fysiske, sensoriske eller mentale evner, manglende erfaring eller manglende viden, og de må ikke arbejde med det. I givet fald skal disse personer være under opsyn af en person, som er ansvarlig for deres sikkerhed, eller af denne instrueres i, hvordan produktet skal benyttes.
- Kontroller, at børn ikke leger med produktet eller emballagen. I givet fald skal børn være under opsyn.
- I nødsituationer gøres hele enkeltrumsreguleringen spændingsfri.
- Overhold enhedens effektgrænser og omgivelsesbetingelser.
- Kablet fra tilsluttede forbrugere skal lægges således, at de ikke kan medføre farer for mennesker og husdyr (f.eks. snublesteder).
- Brug kun enheden i tørre samt støvfrie omgivelser.
- Enheden må ikke udsættes for påvirkninger fra fugtighed, vibrationer, konstant sol- eller anden varmeindstråling, kulde eller mekaniske belastninger.

### 3 Funktion

ENG

Alpha IP Multi-IO boksen er den centrale styreenhed til at tænde og slukke cirkulationspumper og fyrkedler i boliglignende omgivelser. Enheden gør det muligt at regulere rum- eller vandtemperaturen pr. Alpha IP app eller som standalone-variant med rumtermostat.

DAN

NOR

Kommunikationen med andre komponenter sker via den trådløse Homematic (HmIP) protokol. Den trådløse overførsel realiseres på en ikke eksklusiv transmissionsvej, hvorfor forstyrrelser ikke kan udelukkes. Forstyrrende påvirkninger kan f.eks. fremkaldes af koblingsprocesser, elmotorer eller defekte elektriske enheder.

FIN

SWE

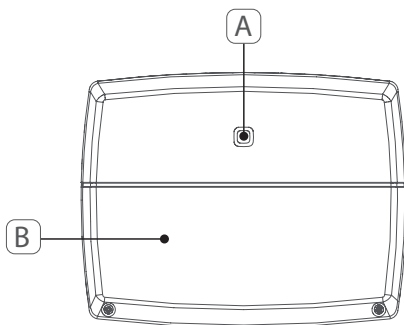
Hvilket funktionsomfang der kan fremkomme inden for Alpha IP systemet i samspil med andre komponenter, kan ses i Alpha IP brugermanualen.

POL

RUS

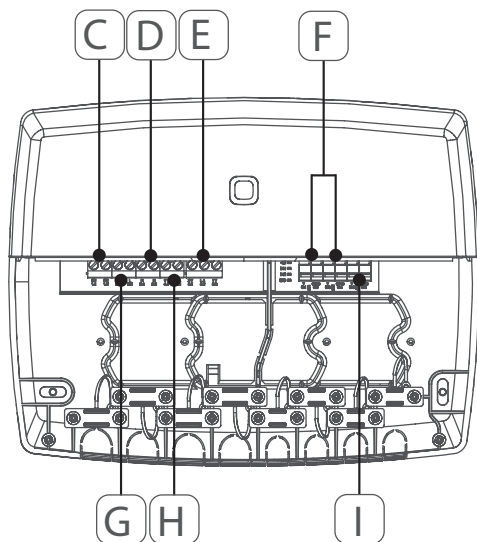
### 4 Oversigt over enheden

#### 4.1 Betjeningselementer



- (A) Systemtast (instruktionstast og LED)
- (B) Afdækning

## 4.2 Tilslutninger



- (C) Tilslutningsklemmer for PE (beskyttelsesleder)
- (D) Afrembygning N (neutralleder)
- (E) Tilslutningsklemblok 5 (omskifter: 2 = slutter / 1 = bryder. f.eks. til tilslutning af en cirkulationspumpe, luftaffugter, CO Pilot)
- (F) Tilslutningsklemmer for IN1/IN2 (varme-, køle- eller Ecodrift, temperaturbe grænser eller fugtføler)
- (G) Tilslutningsklemmer for L (leder)
- (H) Tilslutningsklemme 4 (f.eks. for tilslutning fyrkedel, luftaffugter, CO Pilot)
- (I) Tilslutningsklemmer for AOOUT (0-10 V ud gang)
- (J) LED-lys og tilslutningsindikator: Pumpe (5.2), kedel (4.2), status input 1 (IN1), status input 2 (IN2), forsyning (PWR) og Change Over-tilstand (C/O)



Tilslutningsklemme AOOUT (I) er aktuelt uden funktion.

## 4.3 Tekniske data

Kort betegnelse af enheden	ALPHA-IP-MIOB
Forsyningsspænding	230 V/50 Hz
Strømforbrug	16 A maks.
Maks. Kobleffekt udgang 1	3680 W, $\cos\phi \geq 0,95$ (potentialfri)
Maks. Kobleffekt udgang 2	1840 W, $\cos\phi \geq 0,95$ (potentialfri)
Ledningsart og -tværsnit	stiv og bøjelig ledning 0,75 – 2,5 mm <sup>2</sup>
Kapslingsklasse	IP20
Beskyttelsesklasse	II
Omgivelsestemperatur	0 til 50°C
Mål (B x H x D)	198,6 x 155,8 x 33,5 mm
Vægt	365 g
Radiofrekvens	868,3 MHz/869,525 MHz
Modtagerkategori	SRD category 2
Typ. Trådløs rækkevidde	375 m
Duty cycle	< 1 % pr. h / < 10 % pr. h
Direktiver	2014/53/EU Radioudstyr 2014/30/EU EMC 2011/65/EU RoHS 2014/35/EU Lavspændingsdirektiv

ENG

DAN

NOR

FIN

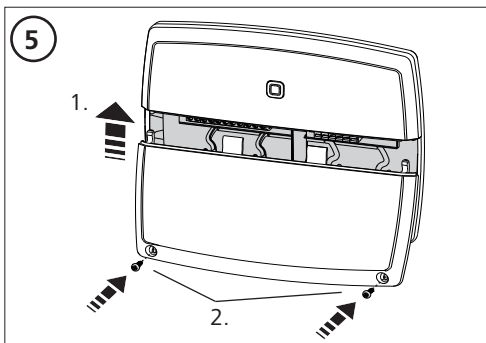
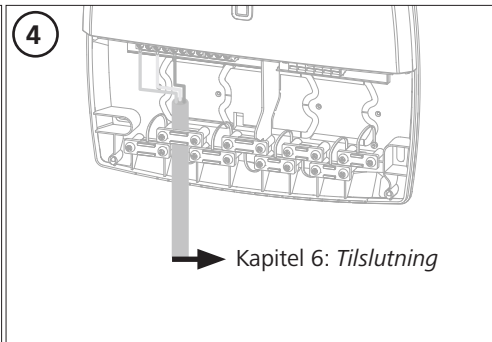
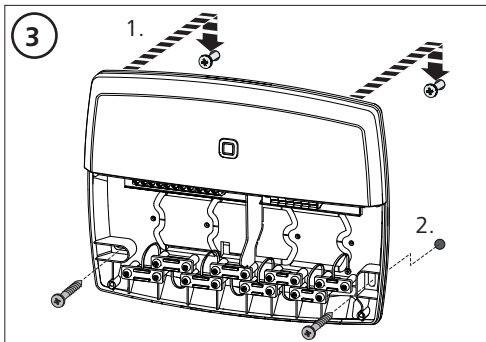
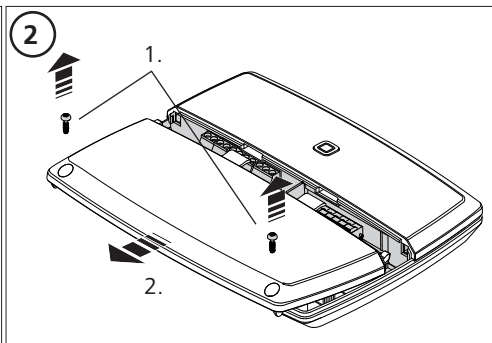
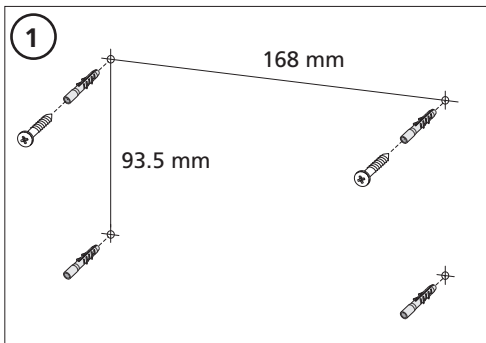
SWE

POL

RUS

## 5 Montering

### 5.1 Frembygning



### 5.2 DIN-skinne (som option)



Omlysningerne om montering af Multi-IO boksen på en DIN-skinne kan ses i betjeningsvedledningen til den DIN-skinneadapter, som kan leveres som option.

## 6 Tilslutning



### Livsfare pga. af den elektriske spænding, som foreligger ved Multi-IO boksen!

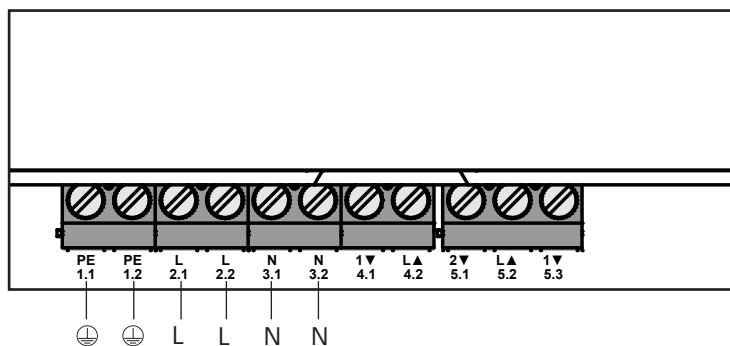
- Enheden må kun åbnes af en autoriseret fagmand.
- Inden der åbnes, slukkes netspændingen og sikres imod genindkobling.
- Foreliggende eksterne spændinger frikobles og sikres imod genindkobling.

MIOB's tilslutning afhænger af individuelle faktorer og skal omhyggeligt planlægges og realiseres af installatøren.

Til stik-/klemmetilslutninger kan følgende tværsnit bruges:

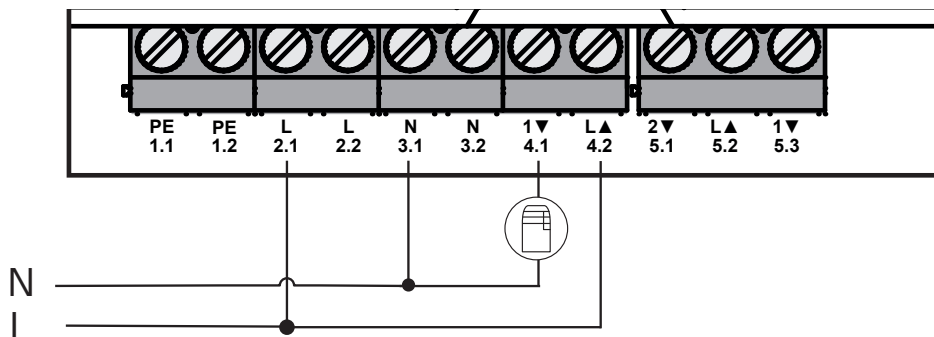
- massiv ledning: 0,75 – 2,5 mm<sup>2</sup>
- bøjelig ledning (med og uden kabeltulle): 0,75 – 2,5 mm<sup>2</sup>
- Ledningsender afisoleret 8 - 9 mm

### 6.1 Tilslutning forsyning



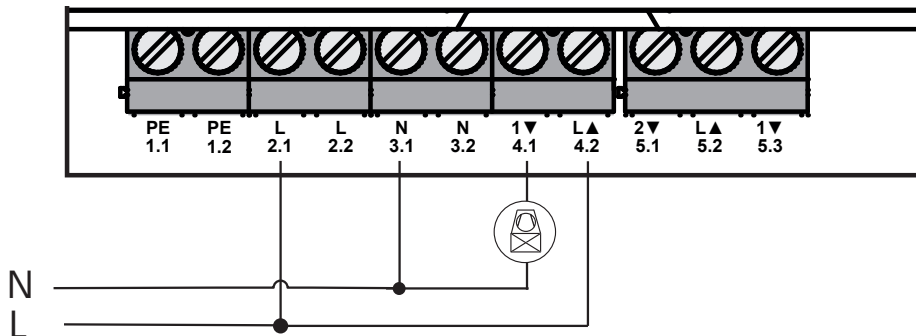
### 6.2 Tilslutning kedel (4.1/4.2)

Tilslutningen 4.1/4.2 er et relæ som potentialfri kontakt. I standalone-varianten bliver kun fyrkedlen tilsluttet. Ved brugen med Alpha IP app'en via Alpha IP Access Point kan tilslutningen også bruges til luftaffugter eller Change Over Pilot (CO Pilot). Alternativt er det med Homematic CCU 2 muligt at bruge tilslutningen som Switch Aktor.



### 6.3 Tilslutning luftaffugter (Access Point-variant)

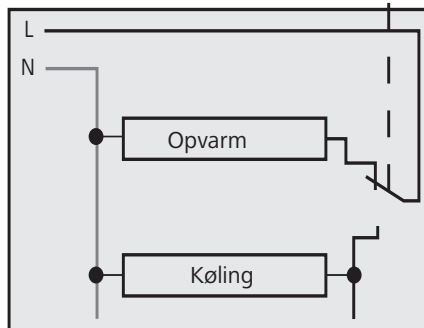
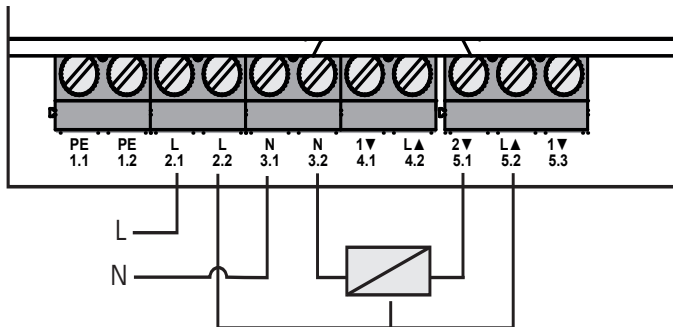
I Access Point-varianten er det muligt at bruge en affugter. Luftaffugteren kan både tilsluttes til tilslutning 4.1/4.2 (jf. fig.) og til tilslutning 5.2/5.3. Med luftaffugteren kan en for høj luftfugtighed i rummet sænkes.



### 6.4 Tilslutning Change Over Pilot (Access Point-variant)

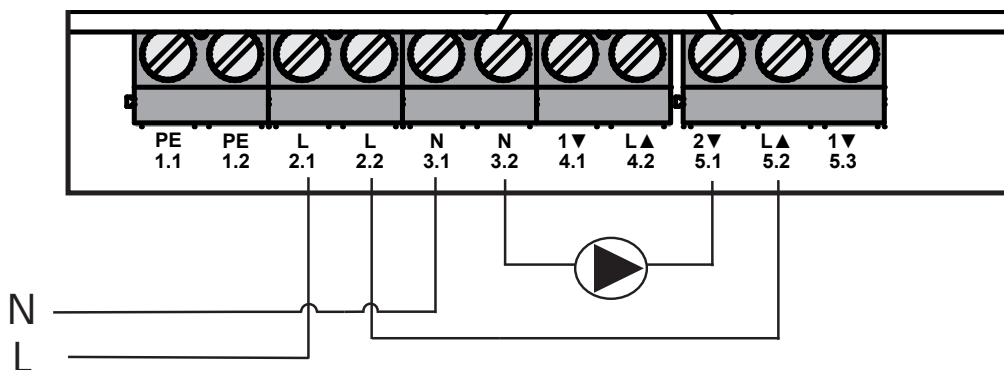
I Access Point-varianten er det muligt at tilslutte en intern pilot-funktion til omskiftning af hele anlæget mellem driftstilstandene varme og køle.

CO Pilot udgangssignalet kan både tilsluttes til tilslutningen 4.1/4.2 og til tilslutningen 5.2/5.3 (fig.).



### 6.5 Tilslutning pumpe (5.1/5.2/5.3)

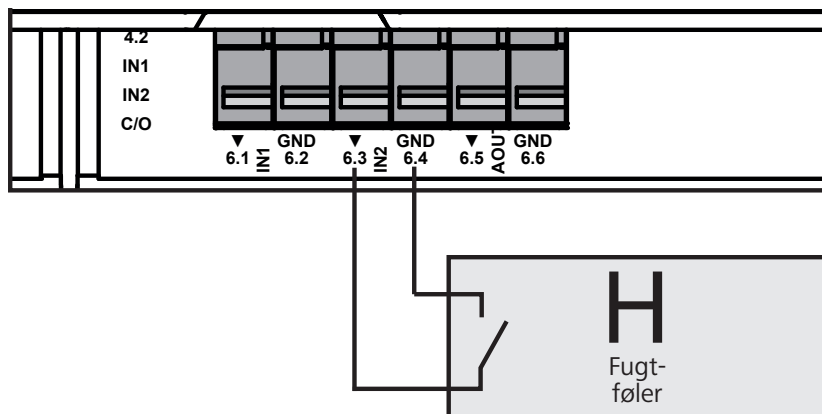
Tilslutning 5.1/5.2/5.3 er et omskifterrelæ som potentialfri omskifter. I standalone-varianten bliver kun pumpen tilsluttet. Ved brugen med Alpha IP app'en via Alpha IP Access Point kan tilslutningen også bruges til luftfugtighedsføleren eller til CO Pilot.



### 6.6 Tilslutning fugtføler (6.3/6.4)

Tilslutningen 6.3/6.4 (IN2) er en indgang til potentialfrie kontakter. I standalone-varianten bliver kun fugtføleren tilsluttet. Ved brugen med Alpha IP app'en via Alpha IP Access Point kan tilslutningen også bruges til temperaturbegrænser (TB) eller External Clock (ECO). Med en Homematic CCU 2 kan alle ind- og udgange udløses individuelt.

Fugtfølere, som skal stilles til rådighed af kunden, tjener beskyttelsen mod dugdannelse i modus køle.



ENG

DAN

NOR

FIN

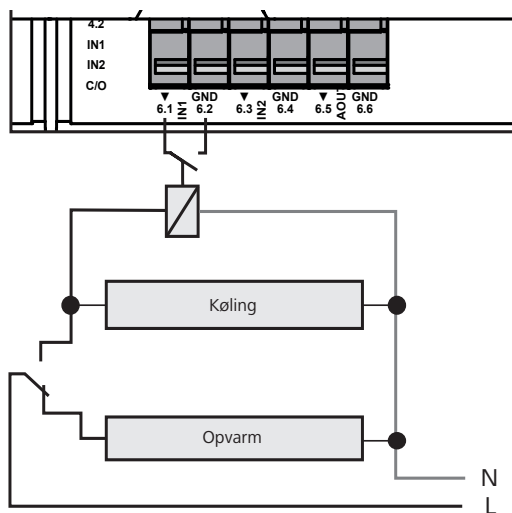
SWE

POL

RUS

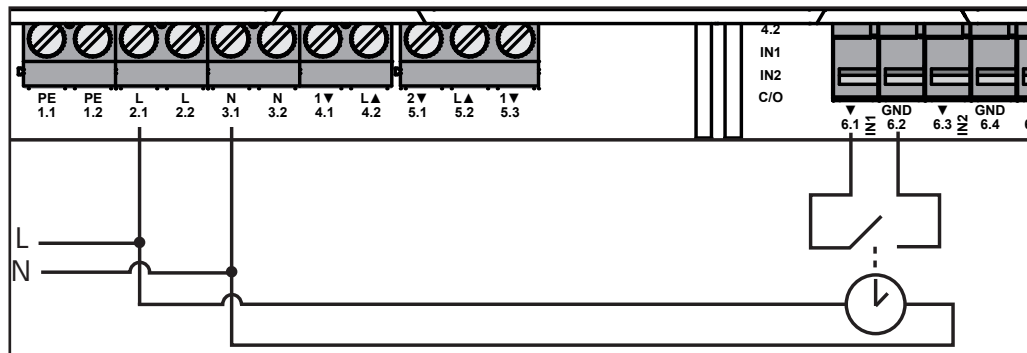
### 6.7 Tilslutning eksternt Change Over-signal (6.1/6.2)

Tilslutningen 6.1/6.2 (IN1) er en indgang til potentialfrie kontakter. I standalone-varianten tilsluttes kun Change-Over-signalet (CO). Ved brugen med Alpha IP app'en via Alpha IP Access Point kan tilslutningen også bruges til temperaturbegrænser (TB) eller External Clock (ECO).



### 6.8 Tilslutning eksternt tænd-sluk-ur (Access Point-variant)

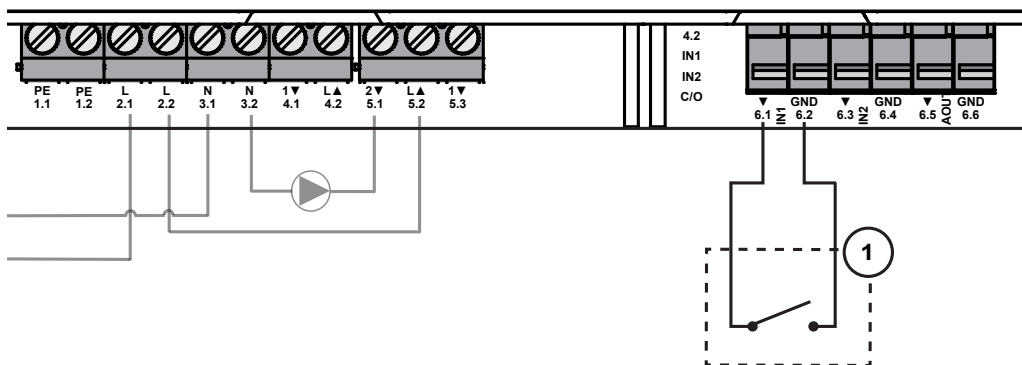
I Access Point-varianten er det muligt at styre et eksternt tænd-sluk-ur. Det eksterne tænd-sluk-ur (ECO) kan tilsluttes både til tilslutningen 6.1/6.2 (IN1, jf. figb.) og til tilslutningen 6.3/6.4 (IN2). Ved aktivering af indgangen fra tænd-sluk-uret kobles de dertil parametrede varmezoner i natdrift.






## 6.9 Tilslutning temperaturbegrænser (Access Point-variant)

I Access Point-varianten er det muligt at bruge en temperaturbegrænser (1). Temperaturbegrænseren (TB) kan både tilsluttes til tilslutning 6.1/6.2 (IN1, jvf. fig.) og til tilslutning 6.3/6.4 (IN2). TB slukker for pumpen, hvis der fastslås for høje fremløbstemperaturer fra gulvvarmen. Bliver TB-indgangen koblet, kører basisstationen automatisk alle drev i.




## 7 Ibrugtagning


 Læs dette afsnit fuldstændigt og omhyggeligt inden ibrugtagningen.


Multi-IO boksen instrueres alternativt som standalone-drift direkte ved Alpha IP basisstationen (FAL 21001/41001) eller ved Alpha IP Access Point (HAP 21001). Den efterfølgende konfiguration foretages i varianten med Alpha IP basisstation via Alpha IP vægtermoestaten (WTH eller WTHP 61001) og i varianten Alpha IP Access Point via Alpha IP app'en.

Enheden er på forhånd konfigureret til standalone-løsningen.

### 7.1 Instruktion uden Alpha IP Access Point (standalone-drift)

 Ved instruktionen skal der mindst være 50 cm mellem enhederne.

 Instruktionsprocessen kan afbrydes ved igen kort at trykke på instruktionstasten. Dette bekræftes ved, at Multi-IO boksens LED lyser rødt.

 Ved integrering i et eksisterende system skal først Alpha IP basisstationen og derefter Alpha IP Multi-IO boksen bringes i instruktionsmodus.

ENG

DAN

NOR

FIN

SWE

POL

RUS

Til standalone-driften skal instruktionen af Alpha IP Multi-IO boksen foretages via Alpha IP basisstationen (FAL 21001/41001). Instruér enheden som følger:

1. Tryk flere gange på Alpha IP basisstationens Select-tast, indtil alle varmezoners LED'er lyser grønt.
  2. Tryk i 4 sekunder på Alpha IP basisstationens systemtast, indtil systemtastens LED hurtigt blinker orange.
- ✓ Instruktionsmodus er aktiv i 3 minutter.
3. Tryk i 4 sekunder på Multi-IO boksens systemtast (A), indtil systemtastens LED blinker orange.



Efter en vellykket instruktion lyser systemtastens LED grønt. Lyser LED'en rødt, gentages processen.

## 7.2 Instruktion til Alpha IP Access Point



Alpha IP Multi-IO boksen kan instrueres pr. app både ved Alpha IP Access Point og ved Homatic centralen CCU2.

For styringen via Alpha IP app'en skal instruktionen af Alpha IP Multi-IO boksen foregå via Access Point (HAP 21001). Instruér enheden som følger:

⇒ Alpha IP Access Point blev indstillet via Alpha IP App (jfr. vejledning HAP 21001).

1. Åbn Alpha IP app'en på din smartphone.
  2. Vælg menupunktet *Instruktion af enheden*.
  3. Tryk kort på systemtast (A), indtil LED'en langsomt blinker orange. Instruktionsmodus er aktiv i 3 minutter.
- ✓ Enheden vises automatisk i Alpha IP app'en.
4. For at bekræfte skal de sidste fire cifre i enhedens nummer (SGTIN) indtastes eller den vedlagte QR-koden scannes. Enhedens nummer befinder sig under den medleverede QR-kode eller direkte på enheden.



Efter en vellykket instruktion lyser systemtastens LED grønt. Lyser LED'en rødt, gentages processen.

5. Følg instruktionerne i app'en.

## 8 Visninger

Display	Betydning	Løsning
Kort orangefarvet blink	Radiosignaltransfer/ sendeforsøg/datatransfer	Vent, til transferen er afsluttet.
1x langt grønt lys	Proces bekræftet	Du kan fortsætte med betjeningen.
1x langt rødt lys	Proces slået fejl	Prøv igen.
Kort orangefarvet blink (hvert 10. sek.)	Instruktionsmodus aktiv	Indlæs de sidste fire cifre fra enhedens serienummer som bekræftelse.
1x langt rødt lys	Proces slået fejl eller duty cycle-limit nået	Prøv igen.
6x langt rødt blink	Enheden er defekt	Vær opmærksom på visningen i din app eller kontakt din fagforhandler.
1x orangefarvet 1x grønt lys	Testvisning	Når testvisningen er gået ud, kan du fortsætte.

## 9 Rengøring

Til rengøring skal der bruges en tør, blød klud uden opløsningsmiddel.

## 10 Etablering af fabrikkens indstillinger

Ved etablering af fabrikkens indstillinger går alle de indstillinger, som er foretaget, tabt.

1. Hold systemtasten (A) nede i 4 sekunder, indtil den hurtigt blinker orange.
  2. Slip systemtasten.
  3. Hold systemtasten nede i 4 sekunder igen, indtil den lyser grønt.
  4. Slip systemtasten igen.
- ✓ Fabrikkens indstillinger er genetableret.
  - ✓ Enheden gennemfører en ny start.

## 11 Ud-af-brugtagning



### ADVARSEL

**Livsfare pga. af den elektriske spænding, som foreligger ved Multi-IO boksen!**

- Enheden må kun åbnes af en autoriseret fagmand.
  - Inden der åbnes, slukkes netspændingen og sikres imod genindkobling.
  - Foreliggende eksterne spændinger frikobles og sikres imod genindkobling.
1. Alle eksisterende kabler løsnes.
  2. Afmonter enheden og bortskaf den korrekt.

## 12 Bortskaffelse



Enheden må ikke bortskaffes sammen med husholdningsaffaldet! Elektroniske apparater skal ifølge direktivet om brugte elektro- og elektronik-apparater bortskaffes via de offentlige indsamlingssteder for brugte elektronik-apparater!

ENG

DAN

NOR

FIN

SWE

POL

RUS

<b>1</b>	<b>Tätä käyttöopasta koskien</b>	<b>30</b>
1.1	Käyttöohjeen voimassaolo, säilytys ja välittäminen eteenpäin	30
1.2	Kuvakkeet	30
<b>2</b>	<b>Turvallisuus</b>	<b>30</b>
2.1	Määräystenmukainen käyttö	30
2.2	Turvallisuusohjeet	30
<b>3</b>	<b>Toiminto</b>	<b>31</b>
<b>4</b>	<b>Laitteen yleiskuva</b>	<b>31</b>
4.1	Kytkimet	31
4.2	Liitännät	32
4.3	Tekniset tiedot	32
<b>5</b>	<b>Asennus</b>	<b>33</b>
5.1	Seinäasennus	33
5.2	Hattukisko (lisävaruste)	33
<b>6</b>	<b>Kytkeminen</b>	<b>34</b>
6.1	Virtaliitäntä	34
6.2	Kattilan kytkeminen (4.1/4.2)	34
6.3	Ilmakuivaajan kytkeminen (Access Point-malli)	35
6.4	Change Over Pilotin kytkeminen (Access Point-malli)	35
6.5	Pumpun kytkeminen (5.1/5.2/5.3)	36
6.6	Kosteusanturin liittäminen (6.3/6.4)	36
6.7	Ulkopuolisen vaihtosignaalin kytkeminen (6.1/6.2)	37
6.8	Ulkoisen kytkinkellon kytkeminen (Access Point-malli)	37
6.9	Lämpötilarajoittimen kytkeminen (Access Point-malli)	38
<b>7</b>	<b>Käyttöönotto</b>	<b>38</b>
7.1	Sovittaminen ilman Alpha IP Access Pointia (yhden laitteen järjestelmä)	38
7.2	Sovittaminen Alpha IP Access Pointiin	39
<b>8</b>	<b>Näytöt</b>	<b>40</b>
<b>9</b>	<b>Laitteen puhdistus</b>	<b>40</b>
<b>10</b>	<b>Tehdasasetusten palauttaminen</b>	<b>40</b>
<b>11</b>	<b>Käytöstä poistaminen</b>	<b>40</b>
<b>12</b>	<b>Hävittäminen</b>	<b>41</b>

## 1 Tätä käyttöopasta koskien

### 1.1 Käyttöohjeen voimassaolo, säilytys ja välittäminen eteenpäin

Tämä opas koskettaa laitetta Alpha IP Multi-IO Box 21001 (MIOB). Tämä opas sisältää laitteen käyttöönottoa varten tarpeellisia tietoja. Lue ohjeet kokonaan ja perusteellisesti ennen laitteen käyttöä. Säilytä ohjeet ja anna ne seuraavalle käyttäjälle.



Tämä käyttöopas ja muut Alpha IP järjestelmätiedot löytyvät aina päivitettyinä osoitteesta [www.alphaip.de](http://www.alphaip.de).



Huomioi Alpha IP Access Point (HAP 2001) -käyttöoppaan sisältämät järjestelmätiedot, toiminnot ja käyttöohjeet.

### 1.2 Kuvakkeet

Tässä oppaassa käytetään seuraavia kuvakkeita:



**Vaaramerkit:** Viittaa vaaraan



**Huomaa:** Viittaa tärkeään tai hyödylliseen tietoon



Edellytys



Toiminnan tulos



Lista ilman kiinteää järjestystä

1., 2.

Lista, jossa on kiinteä järjestys

## 2 Turvallisuus

### 2.1 Määräystenmukainen käyttö

Alpha IP Multi-IO Box (MIOB) on osaa Alpha IP järjestelmää ja sitä käytetään

- Alpha IP huoneilmastoinnin funktionaalisen laajenuksena pintalämpötilojen säätämiseen
- kiertopumpun ja lämmityskattilan kytkemiseen
- lämpötila- tai kosteusantureiden kytkemiseen
- kastepistevalvontaan
- käyttötilojen ohjaamiseen.

Kaikki muut käyttötavat, muutokset tai muunnokset ovat kiellettyjä. Määräystenvastainen käyttö aiheuttaa riskejä, joista valmistaja ei vastaa, eli takuun raukeamisen.

### 2.2 Turvallisuusohjeet

Huomioi kaikki tämän käyttöoppaan sisältämät turvallisuusohjeet henkilö- ja esinevahinkojen estämiseksi. Valmistaja ei vastaa henkilö- tai esinevahingoista, joiden syynä on ollut epäasiallinen käyttö tai turvallisuusohjeiden noudattamatta jättäminen. Sellaisessa tapauksessa takuu raukeaa kokonaan. Valmistaja ei vastaa seurauksista.

- Vain valtuutettu ammattisähkömies saa avata laitteen.

- Älä käytä laitetta ilman koteloa.
- Käytä tuotetta vain sen ollessa moitteettomassa kunnossa.
- Henkilöt tai lapset, joiden ruumiilliset, aistilliset tai henkiset kyvyt ovat heikentyneet tai joilla ei ole riittäviä tietoja tai kokemuksia, eivät saa käyttää laitetta muuten kuin huoltajansa valvonnassa tai opastamana.
- Varmista, että lapset eivät voi leikkiä laitteen tai pakkausmateriaalin kanssa. Tarvittaessa lapsia pitää valvoa.
- Kytke hätätapauksessa koko huonekohtainen säätöjärjestelmä pois päältä.
- Noudata laitteen tehorajoituksia ja ilmoitettuja ympäristöolosuhteita.
- Sijoita kytkettyjen laitteiden kaapelit siten, että niistä ei ole vaaraa ihmisille tai lemmikeille (esim. kompastusvaara).
- Laitetta saa käyttää vain kuivissa ja pölyttömissä tiloissa.
- Älä altista laitetta kosteudelle, tärinälle, jatkuvalle auringonpaisteelle tai muulle lämpösäteilylle, pakkaselle tai mekaaniselle rasitukselle.

### 3 Toiminto

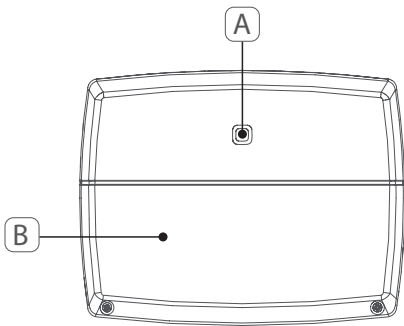
Alpha IP Multi-IO Box on asuintilojen kaltaisten ympäristöjen kiertopumppujen ja lämmityskattiloiden ohjauskeskus. Laite mahdollistaa huoneen tai veden lämpötilan säätämisen Alpha IP appin kautta tai yhden laitteen järjestelmien huoneyksikön kautta.

Tiedonsiirto muiden laitteiden kanssa tapahtuu Homematic (HmIP) -protokollan mukaisesti. Langaton tiedonsiirto käyttää avointa siirtoa, minkä vuoksi häiriöitä ei voida sulkea pois. Häiriölähteenä voivat toimia esim. kytkentätapahtumat, sähkömoottorit tai vialliset sähkölaitteet.

Alpha IP -opaskirjasta löytyy tietoja, mitä toimintoja Alpha IP -järjestelmä tarjoaa muiden osien yhteydessä.

### 4 Laitteen yleiskuva

#### 4.1 Kytkimet



- (A) Järjestelmäpainike (sovituspainike ja led)  
 (B) Peitelevy

ENG

DAN

NOR

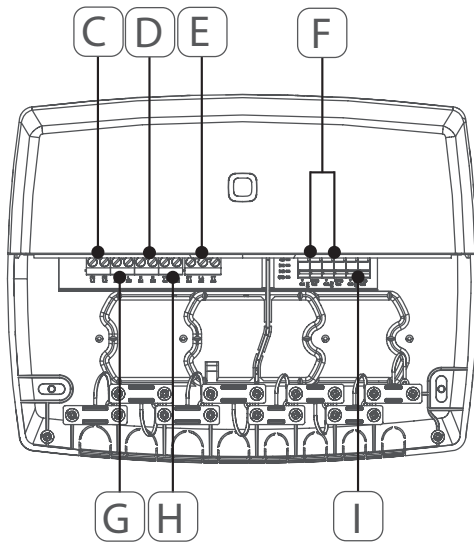
FIN

SWE

POL

RUS

## 4.2 Liitännät



- (C) PR-liittimet (suojajohdin)  
 (D) N-liittimet (neutraalijohdin)  
 (E) Liitinlohko 5  
 (Vaihtaja: 2 = sulku / 1 = avaus.  
 esim. kiertopumpun, ilmakuivaimen,  
 CO Pilotin kytkemiseen)  
 (F) Liittimet IN1/IN2 (lämmitys-, jäähdytys-  
 tai ekokäyttö, lämpötilarajoitin tai  
 kosteusanturi)  
 (G) L-liitin (ulkojohdin)  
 (H) 4-liitin (esim. lämmityskattilan, ilma-  
 kuivaimen, CO Pilotin kytkemiseen)  
 (I) AOUT-liitin (0-10 V lähtö)  
 (J) LED-merkkivalot liitännän varten:  
 pumppu (5.2), kattila (4.2), tila tulo t 1  
 (IN1), tila tulo 2 (IN2), virransyöttö (PWR)  
 vaihtotila (C/O)



AOUT-liitin (I) on tällä hetkellä ilman käyttöä.

## 4.3 Tekniset tiedot

Laitteen nimi	ALPHA-IP-MIOB
Syöttöjännite	230 V / 50 Hz
Sähkönkulutus	16 A max.
Max. kytkentäteho, lähtö 1	3680 W, $\cos\phi \geq 0,95$ (potentiaaliton)
Max. kytkentäteho, lähtö 2	1840 W, $\cos\phi \geq 0,95$ (potentiaaliton)
Johtimen tyyppi ja poikkipinta-ala	jäykkä ja taipuisa johto 0,75 – 2,5 mm <sup>2</sup>
Suojaustapa	IP20
Suojausluokka	II
Ympäristön lämpötila	0 ... 50 °C
Mitat (L x K x S)	198,6 x 155,8 x 33,5 mm
Paino	365 g
Radiotaajuus	868,3 MHz/869,525 MHz
Vastaanotinluokka	SRD category 2
Tyyp. langaton toimintasäde	375 m
Duty Cycle	< 1 % pro h / < 10 % pro h
Direktiivit	2014/53/EU radiolaitteet 2014/30/EU EMV 2011/65/EU RoHS 2014/35/EU matalajännitedirektiivi

ENG

DAN

NOR

FIN

SWE

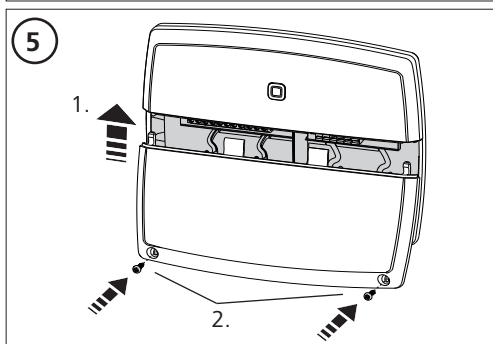
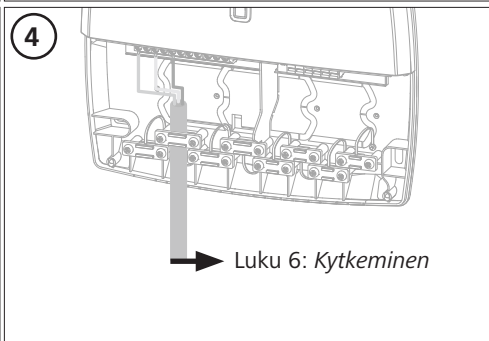
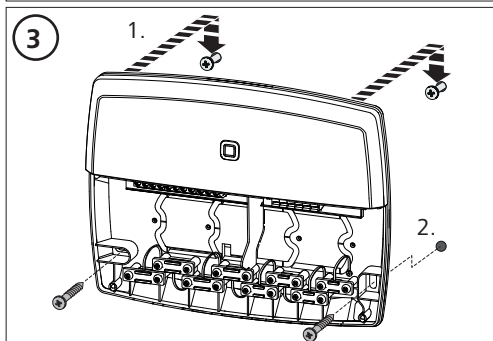
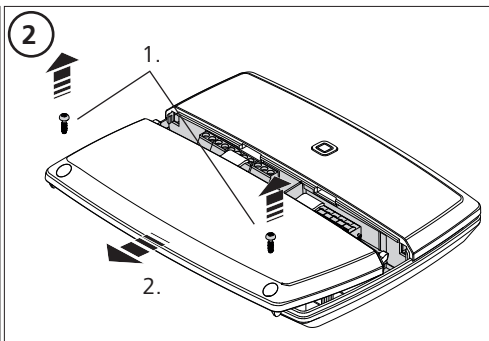
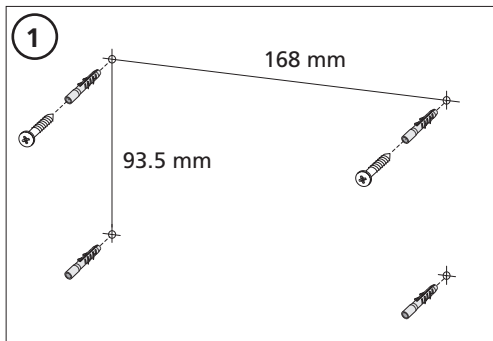
POL

RUS




## 5 Asennus

### 5.1 Seinäasennus



### 5.2 Hattukisko (lisävaruste)

 Katso lisävarusteisen hattukiskon käyttöohjeesta, miten Multi-IO Box kiinnitetään hattukiskoadapterin avulla.

ENG

DAN

NOR

FIN

SWE

POL

RUS

## 6 Kytkeminen



### VAROITUS

#### Multi-IO-Boxin sähköjännite on hengenvaarallinen.

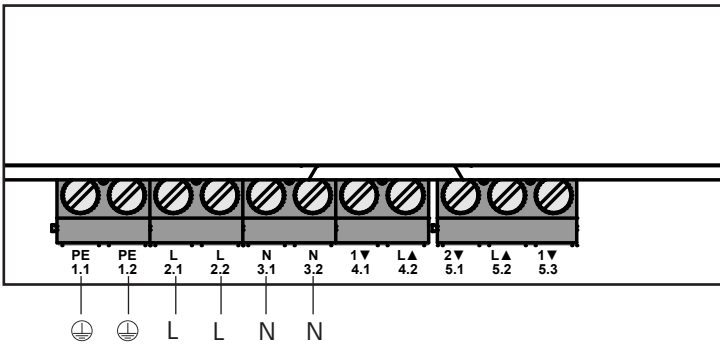
- Vain valtuutettu ammattisähkömies saa avata laitteen.
- Katkaise verkkojännite ennen laitteen avaamista ja varmista, ettei sitä voida kytkeä päälle vahingossa.
- Kytke ulkopuolinen jännite pois päältä ja varmista, ettei sitä voida kytkeä päälle vahingossa.

MIOB:n kytkennät ovat monimutkaisia, ja niitä tulee suunnitella ja toteuttaa huolellisesti ammattiasentajan toimesta.

Pisto-/puristusliittimissä on käytettävissä seuraavat halkaisijat:

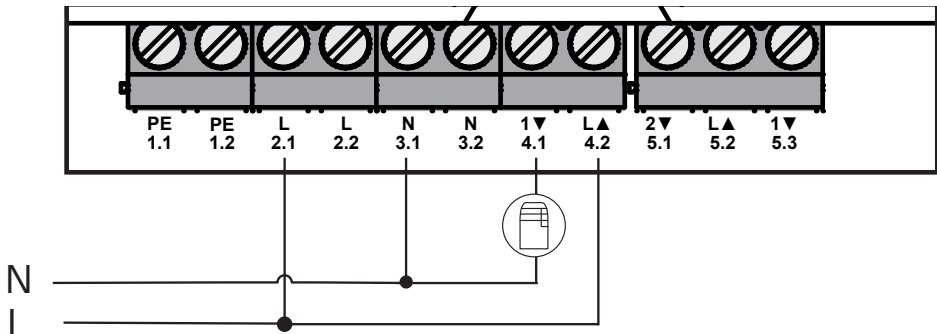
- massiivinen johto: 0,75 – 2,5 mm<sup>2</sup>
- joustava johto (päätyholkin kanssa tai ilman): 0,75 – 2,5 mm<sup>2</sup>
- Johdinpäistä poistettu eristeet 8 - 9 mm matkalta

### 6.1 Virtaliitäntä



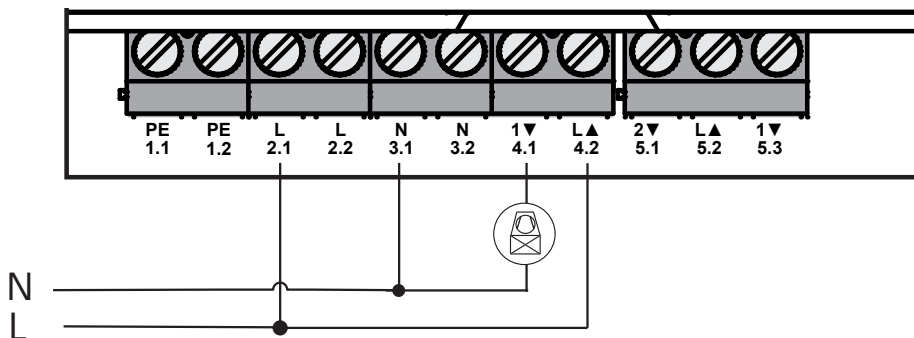
### 6.2 Kattilan kytkeminen (4.1/4.2)

Liitäntä 4.1/4.2 on rele potentialittomana kytkimenä. Yhden laitteen järjestelmissä kytketään vain lämmituskattila. Alpha IP Appia käytettäessä Alpha IP Access Pointin kautta liitäntään voidaan kytkeä myös ilmakuivaaja tai Change Over Pilot (CO Pilot). Vaihtoehtoisesti on Homematic CCU 2:n avulla mahdollista käyttää liitäntää myös Switch Aktorina.



### 6.3 Ilmakuivaimen kytkeminen (Access Point-vaihtoehto)

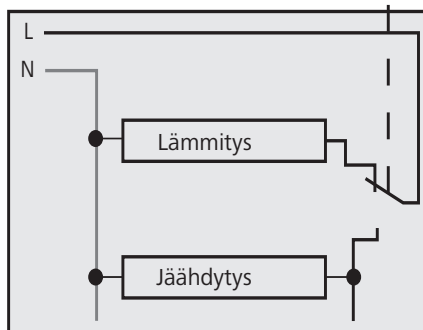
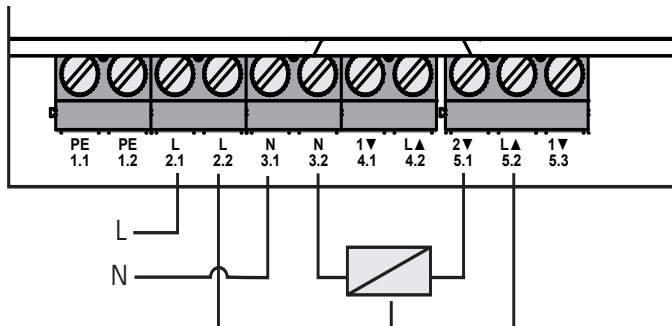
Access Point -vaihtoehdossa on mahdollista käyttää kuivainta. Ilmakuivain voidaan kytkeä sekä liitäntään 4.1/4.2 (vrt. kuva) että liitäntään 5.2/5.3. Ilmakuivain mahdollistaa huoneen ilmankosteuden alentamista.



### 6.4 Change Over Pilotin kytkeminen (Access Point-vaihtoehto)

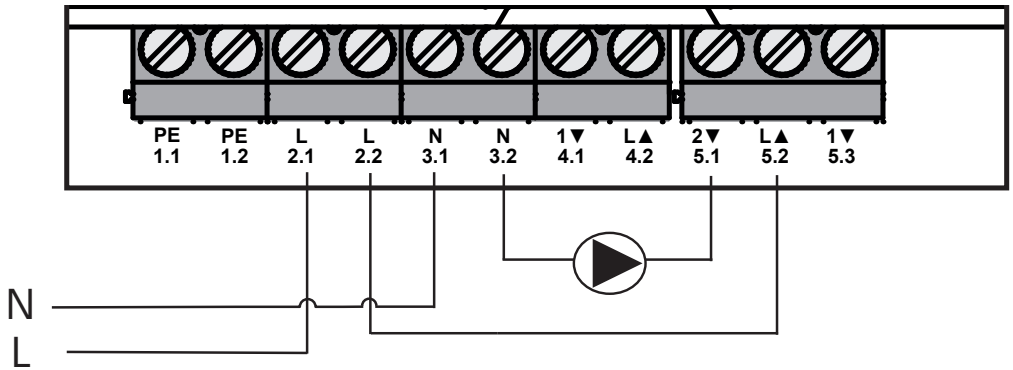
Access Point -vaihtoehdossa on mahdollista kytkeä sisäinen pilottitoiminto koko laitteiston vaihtamiseen lämmityksen ja jäähdytyksen toimitilojen välissä.

CO Pilotin lähtösignaali voidaan kytkeä sekä liitäntään 4.1/4.2 (vrt. kuva) että liitäntään 5.2/5.3.



### 6.5 Pumpun kytkeminen (5.1/5.2/5.3)

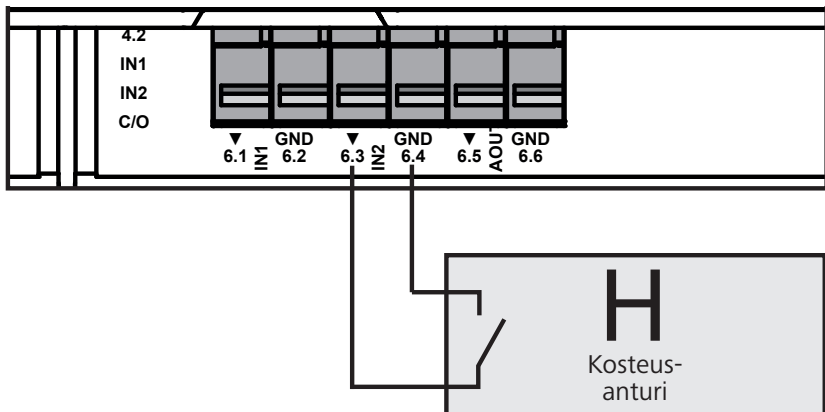
Liitäntä 5.1/5.2/5.3 on vaihtorele potentiaalittomana kytkimenä. Yhden laitteen järjestelmissä kytetään vain pumppu. Alpha IP Appia käytettäessä Alpha IP Access Pointin kautta liitäntään voidaan kytkeä myös ilma-kuivaaja tai CO Pilot.



### 6.6 Kosteusanturin kytkeminen (6.3/6.4)

Liitäntä 6.3/6.4 (IN2) on potentiaalittomien kontaktien tuloliitäntä. Yhden laitteen järjestelmissä kytetään vain kosteusanturi. Alpha IP Appia käytettäessä Alpha IP Access Pointin kautta liitäntään voidaan kytkeä myös lämpötilarajoinin tai ulkoinen kello. Homematic CCU 2:n avulla kaikkia tulo- ja lähtöliitäntöjä voidaan ohjata yksilöllisesti.

Eriksen hankittavat kosteusanturit voivat suojata kondenssivedeltä jäähdytystilan aikana.



ENG

DAN

NOR

FIN

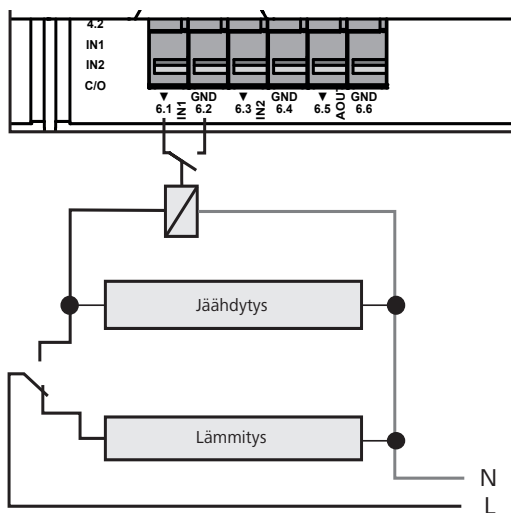
SWE

POL

RUS

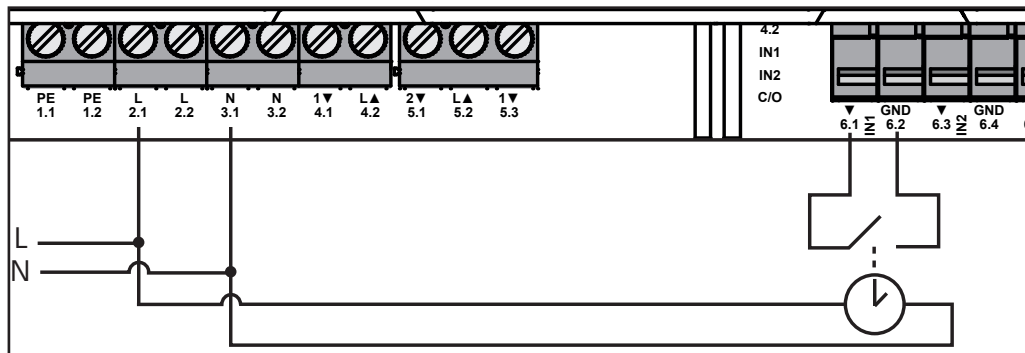
## 6.7 Ulkopuolisen vaihtosignaalin kytkeminen (6.1/6.2)

Liitäntä 6.1/6.2 (IN1) on potentiaalittomien kontaktien tuloliitäntä. Yhden laitteen järjestelmissä kytetään vain CO-signaali. Alpha IP Appia käytettäessä Alpha IP Access Pointin kautta liitäntään voidaan kytkeä myös lämpötilarajotin tai ulkoinen kello.



## 6.8 Ulkoisen kytinkellon kytkeminen (Access Point-vaihtoehto)

Access Point-vaihtoehtossa on mahdollista käyttää ulkoista kytinkelloa. Ulkoinen kytinkello voidaan kytkeä sekä liitäntään 6.1/6.2 (IN1, vrt. kuva) että liitäntään 6.3/6.4 (IN2). Kun kytinkello käyttää tätä tuloa, siirtyvät vastaavat lämmitysvyöhykkeet yötilaan.



ENG

DAN

NOR

FIN

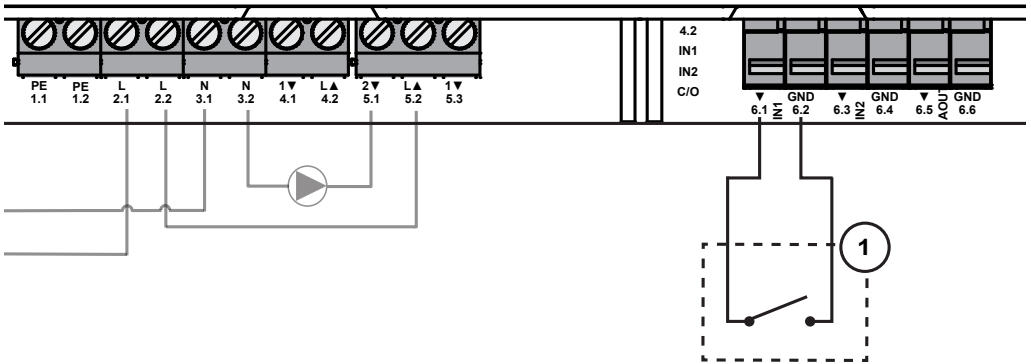
SWE

POL

RUS

## 6.9 Lämpötilarajoittimen kytkeminen (Access Point-vaihtoehto)

Access Point-vaihtoehdossa on mahdollista käyttää lämpötilarajoitinta (1). Lämpötilarajoitin voidaan kytkeä sekä liitântään 6.1/6.2 (IN1, vrt. kuva) että liitântään 6.3/6.4 (IN2). Rajoitin sammuttaa pumpun, kun lattialämmityksessä havaitaan liian korkeita lämpötiloja. Kun lämpötilarajoitintulo on kytketty, sulkee perusyksikkö kaikki käyttölaitteet.



ENG

DAN

NOR

FIN

SWE

POL

RUS

## 7 Käyttöönotto



Lue tämä kappale kokonaan ja huolellisesti ennen laitteen käyttöönottoa.

Multi-IO Box sovitetaan yhden laitteen järjestelmissä suoraan Alpha IP -perusyksikköön (FAL 21001/41001) tai muuten Alpha IP Access Pointiin (HAP 21001). Sen jälkeiset asetukset tehdään Alpha IP -perusyksikön tapauksessa Alpha IP -seinätermostaatin (WTH tai WTHP 61001 ) kautta ja Alpha IP Access Pointin tapauksessa Alpha IP Appin kautta.

Laitteen tehdasasetus on yhden laitteen järjestelmiä varten.

### 7.1 Sovittaminen ilman Alpha IP Access Pointia (yhden laitteen järjestelmä)



Sovituksen aikana laitteiden välimatkan on oltava vähintään 50 cm.



Sovitusvaihe voidaan katkaista painamalla lyhyesti sovituspainiketta. Sen jälkeen sytty Multi-IO Boxin punainen merkkivalo.



Laitetta lisättäessä olemassa olevaan järjestelmään täytyy saattaa sovitustilaan ensin Alpha IP -perusyksikkö ja sen jälkeen Alpha Multi-IO Box.

Yhden laitteen järjestelmissä Alpha IP Multi-IO Box sovitetaan Alpha IP -perusyksikön (FAL 21001/41001) kautta. Sovita laite näin:

1. Paina Alpha IP -perusyksikön valintapainiketta toistuvasti, kunnes kaikkien lämmitysvoihyöhykkeiden vihreät merkkivalot palavat.
2. Paina Alpha IP -perusyksikön järjestelmäpainiketta 4 sekunnin ajan, kunnes järjestelmäpainikkeen oranssi merkkivalo vilkkuu nopeasti.
- ✓ Sovitustila pysyy voimassa 3 minuutin ajan.
3. Paina Multi-IO Boxin järjestelmäpainiketta (A) 4 sekunnin ajan, kunnes järjestelmäpainikkeen oranssi merkkivalo vilkkuu.



Onnistuneen sovittamisen jälkeen sytty järjestelmäpainikkeen vihreä merkkivalo. Jos sytty pu-nainen merkkivalo, on toimenpide toistettava.

## 7.2 Sovittaminen Alpha IP Access Pointiin



Alpha IP Multi-IO Box voidaan appin kautta sovittaa sekä Alpha IP Access Pointiin että Homa-tic-keskukseen CCU2.

Ohjauksen tapahtuessa Alpha IP -appin kautta Alpha IP Multi-IO Boxin sovitustapahtuu Access Pointin (HAP 21001) avulla. Sovita laite näin:

⇒ Laite Alpha IP Access Point on asennettu Alpha IP appin avulla (ks. opas HAP 21001).

1. Käynnistä Alpha IP App älypuhelimessa.
2. Valitse valikkokohta *Laitteen sovittaminen*.
3. Paina järjestelmäpainiketta (A), kunnes oranssi merkkivalo vilkkuu hitaasti. Sovitustila pysyy voimas-sa 3 minuutin ajan.
- ✓ Laite ilmestyy automaattisesti Alpha IP Appiin.
4. Vahvasta syöttämällä laitenumeron (SGTIN) neljä viimeistä numeroa tai skannaamalla mukana toimi-tettua QR-koodia. Laitenumero sijaitsee mukana toimitetun QR-koodin alla tai suoraan laitteessa.



Onnistuneen sovittamisen jälkeen sytty järjestelmäpainikkeen vihreä merkkivalo. Jos sytty pu-nainen merkkivalo, on toimenpide toistettava.

5. Jatka appin ohjeiden mukaisesti.

## 8 Näytöt

Näyttö	Merkitys	Ratkaisu
Lyhyt oranssi vilkku	Radiolähetys/lähetysyritys/tiedonsiirto	Odota, kunnes tiedonsiirto on päättynyt.
1x pitkä vihreä valo	Toimenpide on vahvistettu	Voit jatkaa käyttöä.
1x pitkä punainen valo	Toimenpide on epäonnistunut	Yritä sama uudestaan.
Lyhyt oranssi vilkku (10 s välein)	Sovitustila on käytössä	Syötä vahvistukseksi laitteen sarjanumeron neljä viimeistä numeroa.
1x pitkä punainen valo	Toimenpide on epäonnistunut tai Duty-Cycle-raja on saavutettu	Yritä sama uudestaan.
6 x pitkä punainen vilkku	Laite on viallinen	Katso appin ilmoitus tai ota yhteyttä laitteen toimittajaan.
1x oranssi ja 1x vihreä valo	Testinäyttö	Voit jatkaa, kun testinäyttö on sammunut.

## 9 Laitteen puhdistus

Käytä laitteiden puhdistukseen ainoastaan kuivaa ja pehmeää liinaa, jossa ei ole liuotinta.

## 10 Tehdasasetusten palauttaminen

Tehdasasetusten palautus hävittää kaikki aikaisemmat asetukset.

1. Paina järjestelmäpainiketta (A) 4 sekunnin ajan, kunnes oranssi merkkivalo vilkkuu nopeasti.
  2. Päästä järjestelmäpainikkeesta.
  3. Paina järjestelmäpainiketta uudestaan 4 sekunnin ajan, kunnes sen vihreä merkkivalo syttyy.
  4. Päästä irti järjestelmäpainikkeesta.
- ✓ Tehdasasetukset ovat taas voimassa.
  - ✓ Laite käynnistyy uudestaan.

## 11 Käytöstä poistaminen



### VAROITUS

**Multi-IO-Boxin sähköjännite on hengenvaarallinen.**

- Vain valtuutettu ammattisähkömies saa avata laitteen.
- Katkaise verkkojännite ennen laitteen avaamista ja varmista, ettei sitä voida kytkeä päälle vahingossa.
- Kytke ulkopuolinen jännite pois päältä ja varmista, ettei sitä voida kytkeä päälle vahingossa.

1. Irrota kaikki kaapelit.
2. Irrota laite ja toimita se asianomaiseen kierrätyspisteeseen.



## 12 Hävittäminen



Älä toimita laitetta talousjätteisiin! Sähkölaitteet tulee toimittaa paikalliseen sähköromun keräys-  
pisteeseen asianmukaisen direktiivin ohjeiden mukaisesti.

ENG

DAN

NOR

FIN

SWE

POL

RUS

Tämä käsikirja on suojattu tekijänoikeuslain nojalla. Kaikki oikeudet pidätetään. Käsikirjaa ei saa kopioida, monistaa, lyhentää tai siirtää missään muodossa, kokonaan tai osittain, mekaanisesti tai elektronisesti, ilman valmistajan ennalta antamaa lupaa. © 2016



<b>1</b>	<b>Om denna anvisning</b>	<b>43</b>
1.1	Giltighet, förvaring och vidarelämnning av anvisningen	43
1.2	Symboler	43
<b>2</b>	<b>Säkerhet</b>	<b>43</b>
2.1	Ändamålsenlig användning	43
2.2	Säkerhetstips	43
<b>3</b>	<b>Funktion</b>	<b>44</b>
<b>4</b>	<b>Apparatöversikt</b>	<b>44</b>
4.1	Manöverelement	44
4.2	Anslutningar	45
4.3	Tekniska data	45
<b>5</b>	<b>Montage</b>	<b>46</b>
5.1	På puts	46
5.2	Top hat sken (tillval)	46
<b>6</b>	<b>Anslutning</b>	<b>47</b>
6.1	Anslutning försörjning	47
6.2	Anslutning panna (4.1/4.2)	47
6.3	Anslutning luftfuktare (Access Point-variant)	48
6.4	Anslutning Change Over Pilot (Access Point-variante)	48
6.5	Anslutning pump (5.1/5.2/5.3)	49
6.6	Anslutning fuktsensor (6.3/6.4)	49
6.7	Anslutning extern Change Over-signal (6.1/6.2)	50
6.8	Anslutning externa kopplingsur (Access Point-variante)	50
6.9	Anslutning temperaturbegränsare (Access Point-variant)	51
<b>7</b>	<b>Idrifttagning</b>	<b>51</b>
7.1	inlärning utan Alpha IP Access Point (Standalone-drift)	51
7.2	Inlärning på Alpha IP Access Point	52
<b>8</b>	<b>Indikationer</b>	<b>53</b>
<b>9</b>	<b>Rengöring</b>	<b>53</b>
<b>10</b>	<b>Återställning av fabriksinställningar</b>	<b>53</b>
<b>11</b>	<b>Urdrifttagning</b>	<b>53</b>
<b>12</b>	<b>Avfallshantering</b>	<b>54</b>

## 1 Om denna anvisning

### 1.1 Giltighet, förvaring och vidarelämning av anvisningen

Denna anvisning gäller för Alpha IP Multi-IO Box 21001 (MIOB). Den innehåller för idrifttagning nödvändiga informationer. Innan användning av apparaten måste anvisningen läsas fullständig och noggrann. Anvisningen skall sparas och lämnas vidare till efterföljande användare.



Denna anvisning/ytterligare Alpha IP systeminformationer hittas alltid aktuell under [www.alphaip.de](http://www.alphaip.de).



Systeminformationer, funktioner och användningssteg i Alpha IP Access Point (HAP 2001) anvisningen måste observeras.

### 1.2 Symboler

Följande symboler används i denna anvisning:



**Tecken för fara:** Pekar på en fara



**Tips:** Betecknar en viktig eller nyttig information



Förutsättning



Resultat som följer en åtgärd



Uppräkning utan fast ordningsföljd

1., 2. Anvisning med fast ordningsföljd

## 2 Säkerhet

### 2.1 Ändamålsenlig användning

Alpha IP Multi-IO Boxen (MIOB) är en del av Alpha IP systemet och avsedd för

- yttemperering som funktionell utökning av Alpha IP rumsklimatlösning
- anslutning av cirkulationspumpen och värmepannan
- anslutning av temperatur- och fuktsensorer
- daggpunktövervakningen
- styrning av driftslägen

All annan användning, ändring och modifiering är uttryckligen förbjuden. En icke ändamålsenlig användning leder till risker, som tillverkaren inte ansvarar för och till upphävande av garantin.

### 2.2 Säkerhetstips

För att undvika person- och sakskador måste alla säkerhetsinstruktioner i denna anvisning följas. För person- och sakskador som förorsakas genom felaktig användning eller negligering av riskinformation ansvaras inte. I dessa fall upphör all anspråk på skadestånd. För följdskador ansvaras inte!

- Apparaten får endast öppnas av auktoriserad personal.
- Använd apparaten inte utan påsatt lock.

- Använd apparaten endast i tekniskt perfekt tillstånd.
- Inga personer (inkl. barn) med reducerad fysisk, sensorisk eller mental förmåga, bristande erfarenhet eller kunskap får använda denna apparat eller arbeta på den. Eventuellt måste en för deras säkerhet ansvarig person hålla uppsikt över dem eller ge anvisningar hur apparaten används.
- Se till att inga barn leker med produkten eller förpackningen. Håll barn vid behov under uppsikt.
- Gör hela enkelrumsregleringen spänningsfri vid nödsituationer.
- Observera apparatens prestationsgränser och omgivningens förutsättningar.
- Lägg sladden av ansluten utrustning så att ingen fara för människor eller husdjur uppstår (t.ex. snubbefälla).
- Använd apparaten endast i torr och dammfri miljö.
- Utsätt apparaten inte för fukt, vibrationer, konstant sol- eller värmestrålning, kyla eller mekanisk påfrestning.

## 3 Funktion

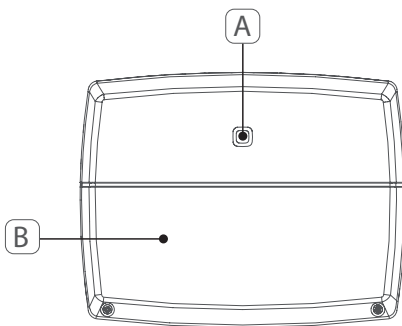
Alpha IP Multi-IO Boxen är den centrala styrenheten för koppling av cirkulationspumpar och värme-pannor i hemmiljöer. Apparaten tillåter regleringen av rums- resp. vattentemperaturen med Alpha IP appen eller som standalone variant med rumsmanöverenheten.

Kommunikationen med andra komponenter sker genom Homematic IP (HmIP) radioprotokollet. Radioöverföringen sker på ett icke exklusivt sätt, därför kan störningar inte uteslutas. Störningar kan t.ex. förorsakas av kopplingsprocesser, elektromotorer eller trasiga elektriska apparater.

Apparatens funktionsomfång inom Alpha IP systemet i samspel med ytterligare komponenter framgår Alpha IP användarmanualen.

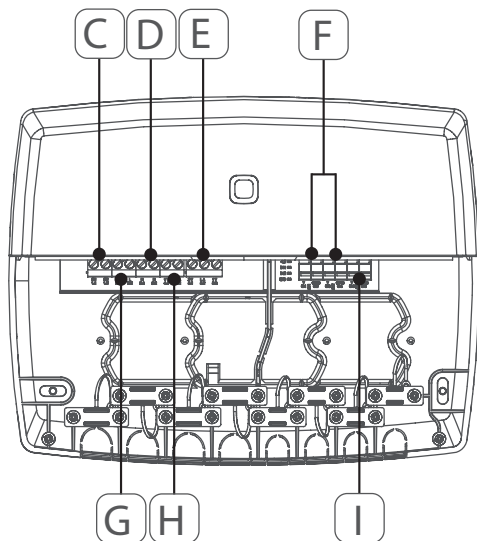
## 4 Apparätöversikt

### 4.1 Manöverelement



- (A) Systemknapp (inlärningsknapp och LED)
- (B) Skydd

## 4.2 Anslutningar



- (C) Anslutningsklämmor för PE (skyddsledare)
- (D) Anslutningsklämmor för N (nolledare)
- (E) Anslutningsklämblock 5 (växlare: 2 = stängning / 1 = öppning. t.ex. för anslutning av en cirkulationspump, luftavfuktare, CO pilot)
- (F) Anslutningsklämmor för IN1/IN2 (uppvärmnings-, kyl- eller ekodrift, temperaturbegränsare eller fuktighetsensor)
- (G) Anslutningsklämmor för L (ytledare)
- (H) Anslutningsklämma 4 (t.ex. för anslutning värmepanna, luftavfuktare, CO pilot)
- (I) Anslutningsklämma för AOUT (0-10 V utgång)
- (J) LED-ljus för anslutningsindikation: Pump (5.2), panna (4.2), status input 1 (IN1), status input 2 (IN2), försörjning (PWR) och Change Over-tillstånd (C/O)



Anslutningsklämman AOUT (I) är för närvarande utan funktion.

## 4.3 Tekniska data

Apparat-kortbeteckning	ALPHA-IP-MIOB
Försörjningsspänning	230 V / 50 Hz
Effektupptag	16 A max.
Max. Effekt utgång 1	3680 W, $\cos\phi \geq 0,95$ (potentialfri)
Max. Effekt utgång 2	1840 W, $\cos\phi \geq 0,95$ (potentialfri)
Effekttyp och -tvärsnitt	fast och fxeibel ledning 0,75 – 2,5 mm <sup>2</sup>
Skyddstyp	IP20
Skyddsklass	II
Omgivningstemperatur	0 till 50 °C
Mått (B x H x D)	198,6 x 155,8 x 33,5 mm
Vikt	365 g
Radiofrekvens	868,3 MHz/869,525 MHz
Mottagarkategori	SRD kategori 2
Typ. Radioräckvidd	375 m
Duty Cycle	< 1 % pro h/< 10 % pro h
Direktiv	2014/53/EU Radioanläggningar 2014/30/EU EMV 2011/65/EU RoHS 2014/35/EU Lågspänningsdirektiv

ENG

DAN

NOR

FIN

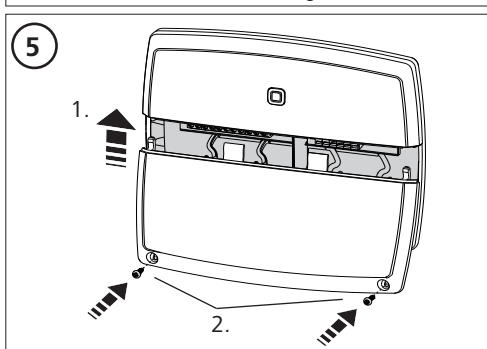
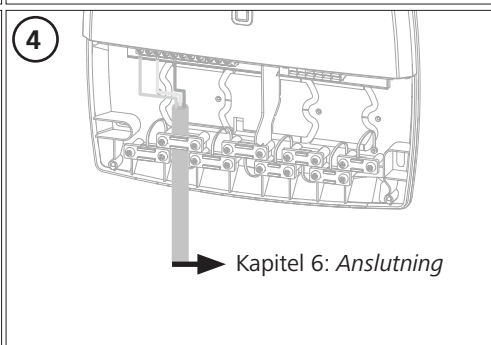
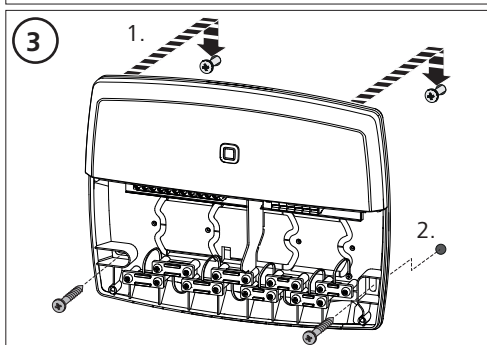
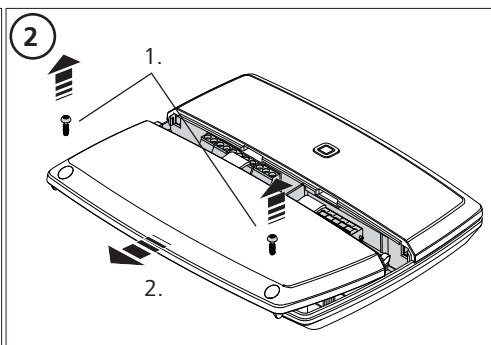
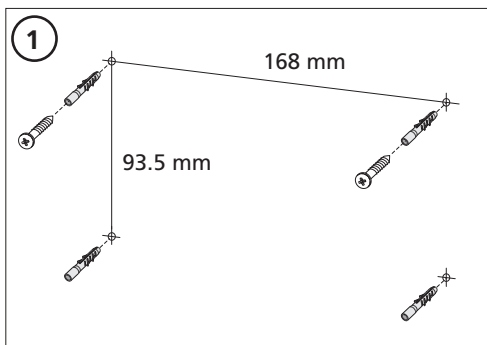
SWE

POL


RUS

## 5 Montage

### 5.1 På puts



### 5.2 Top hat skena (tillval)

 Informationer om montering av Multi-IO Boxen på en top hat skena finns i bruksanvisningen till top hat adaptorn som erbjuds som tillval.

## 6 Anslutning



### VARNING

#### Livsfara genom elektrisk spänning som ligger på Multi-IO Boxen!

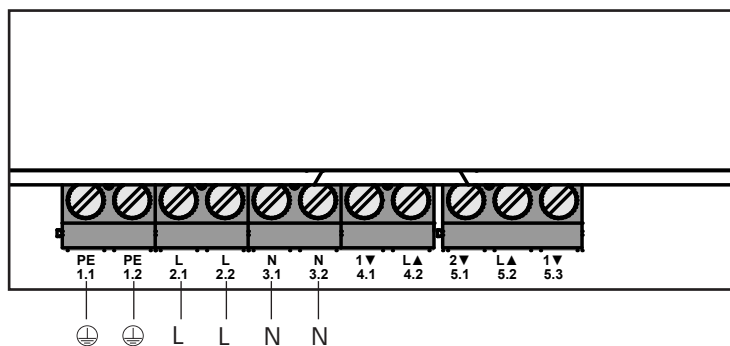
- Apparaten får endast öppnas av auktoriserad personal.
- Stäng av nätspänningen innan öppnande och säkra mot återinkoppling.
- Koppla bort påliggande främmande spänningar och säkra mot återinkoppling.

MIOB kopplingen beror på individuella faktorer och måste planeras och utföras noggrant av en instalatör.

För stick-/klämmanslutningar skall följande diameter användas:

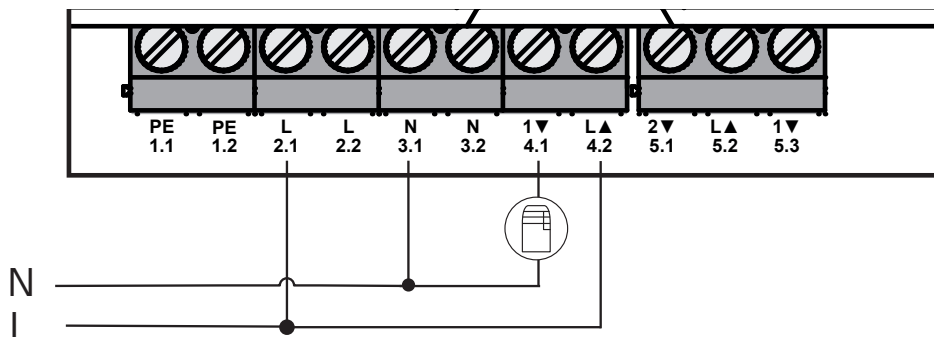
- massiv ledning: 0,75 – 2,5 mm<sup>2</sup>
- flexibel ledning (med eller utan ändhylsor): 0,75 – 2,5 mm<sup>2</sup>
- Ledningsändor 8 - 9 mm isolerade

### 6.1 Anslutning försörjning



### 6.2 Anslutning panna (4.1/4.2)

Anslutningen 4.1/4.2 är den relä som potentialfri kontakt. I standalone-varianten ansluts endast värme-pannan. Vid användning med Alpha IP appen över Alpha IP Access Point kan anslutningen även användas för luftavfuktare eller Change Over Piloten (CO Pilot). Alternativt kan anslutningen med Home-matic CCU 2 användas som switch-aktor.



ENG

DAN

NOR

FIN

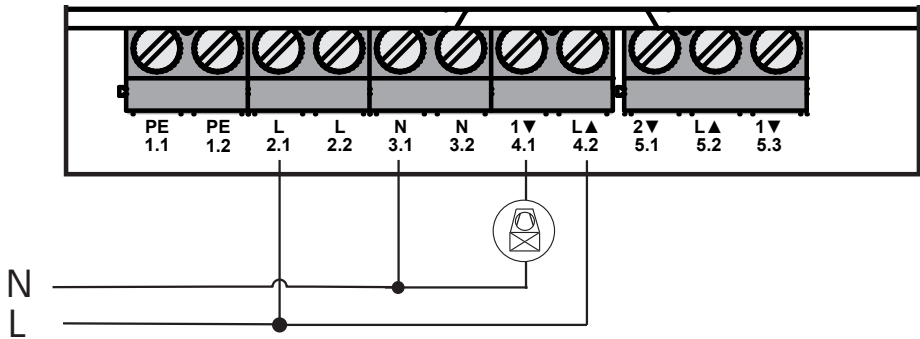
SWE

POL

RUS

### 6.3 Anslutning luftavfuktare (Access Point-variant)

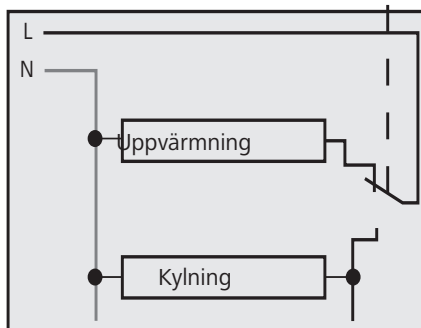
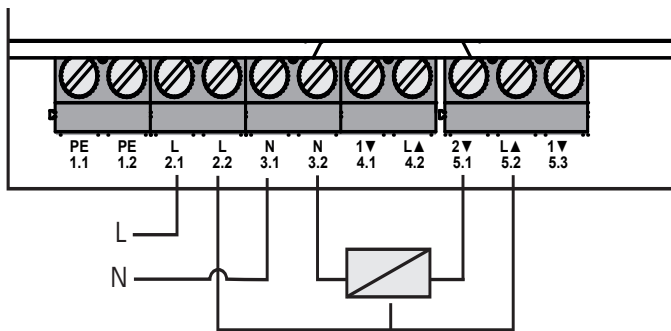
Hos Access Point-varianten kan en avfuktare användas. Luftavfuktaren kan anslutas till såväl anslutningen 4.1/4.2 (jfr bild) som till anslutningen 5.2/5.3. Med luftavfuktaren kan en för hög luftfuktighet minskas.



### 6.4 Anslutning Change Over Pilot (Access Point-variant)

Hos Access Point-varianten kan en intern pilot-funktion för omkoppling av hela anläggningen mellan driftslägen uppvärmning och kylning anslutas.

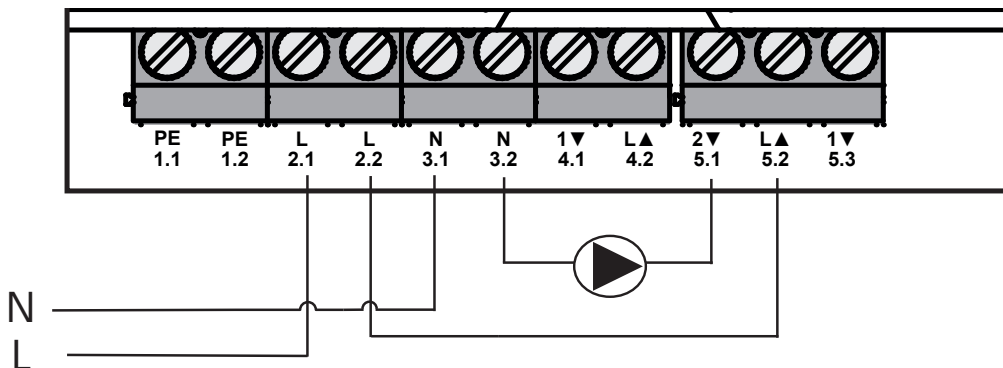
CO Pilotens utgångssignal kan anslutas till såväl till anslutningen 4.1/4.2 som även till anslutningen 5.2/5.3 (bild).





### 6.5 Pumpanslutning (5.1/5.2/5.3)

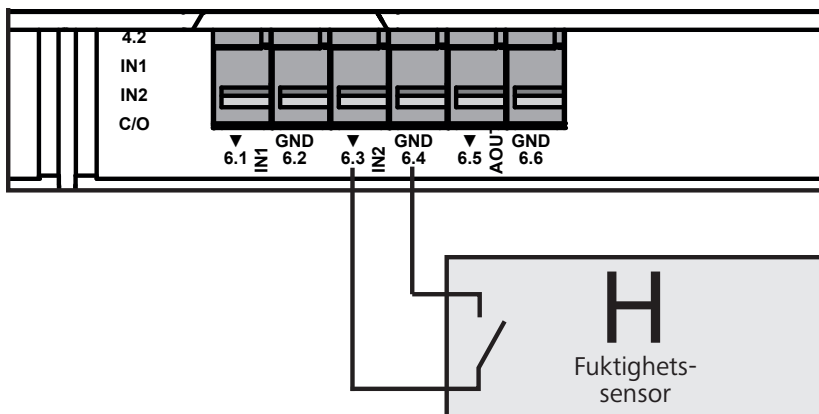
Anslutningen 5.1/5.2/5.3 är en omkopplingsrelä som potentialfri omkopplare. I standalone-varianten ansluts endast pumpen. Vid användning med Alpha IP appen över Alpha IP Access Point kan anslutningen även användas för luftfuktighetssensorn eller CO piloten.



### 6.6 Anslutning fuktighetssensor (6.3/6.4)

Anslutningen 6.3/6.4 (IN2) är en ingång för potentialfria kontakter. I standalone-varianten ansluts endast luftfuktighetssensorn. Vid användning av Alpha IP appen över Alpha IP Access Point kan anslutningen även användas för temperaturbegränsaren (TB) eller External Clock (ECO). Med en Homematic CCU 2 kan alla in- och utgångar styras individuellt.

Av kunden tillhandahållna fuktighetssensorer är avsedda att skydda från daggbildning under kyldriften.



ENG

DAN

NOR

FIN

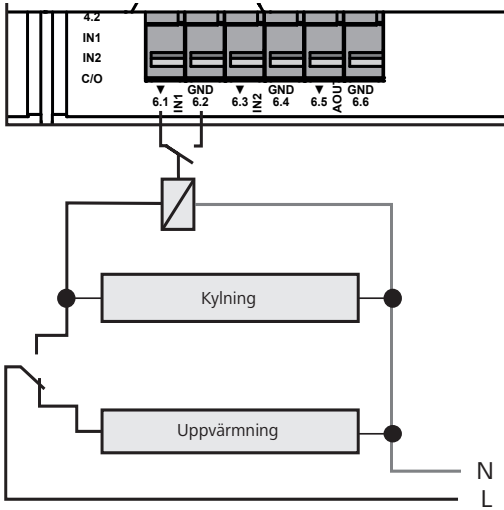
SWE

POL

RUS

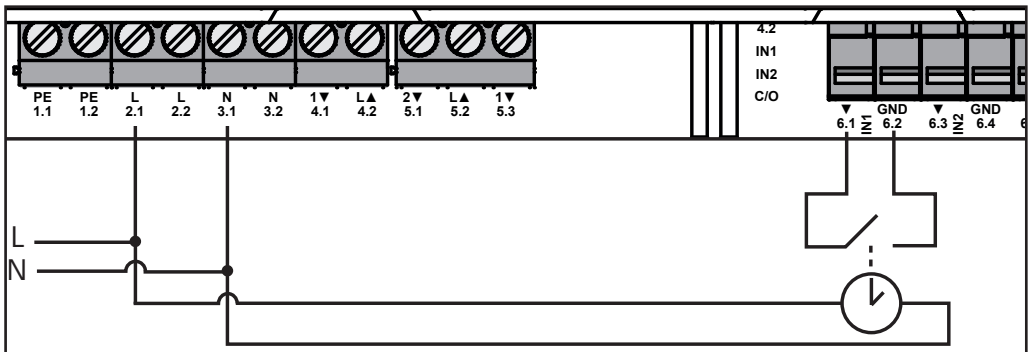
### 6.7 Anslutning extern Change Over-signal (6.1/6.2)

Anslutningen 6.1/6.2 (IN1) är en ingång för potentialfria kontakter. I standalone-varianten ansluts endast Change-Over-Signalen (CO). Vid användning av Alpha IP appen över Alpha IP Access Point kan anslutningen även användas för temperaturbegränsaren (TB) eller External Clock (ECO).



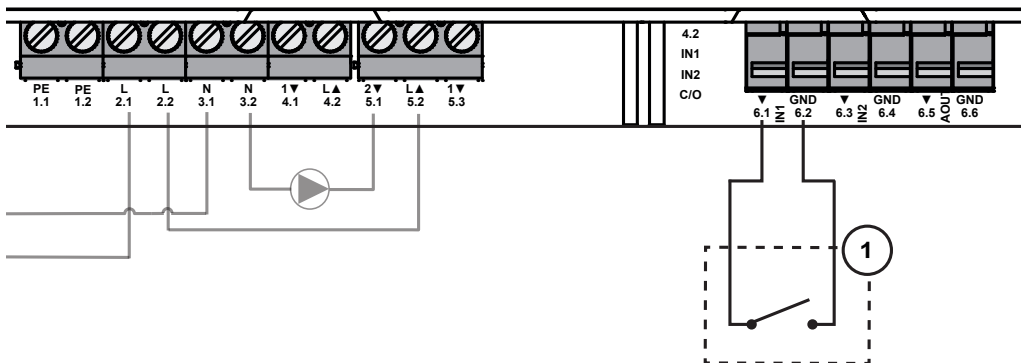
### 6.8 Anslutning externa kopplingsur (Access Point-variant)

Hos Access Point-varianten kan en extern kopplingsur användas. Det externa kopplingsuret (ECO) kan anslutas såväl till anslutning 6.1/6.2 (IN1, jfr bild) som till anslutning 6.3/6.4 (IN2). Vid aktivering av ingången med kopplingsuret sätts de därför parameterade uppvärmningszoner till nattdrift.




## 6.9 Anslutning temperaturbegränsare (Access Point-variant)

Hos Access Point-varianten kan en temperaturbegränsare (1) användas. Temperaturbegränsaren (TB) kan anslutas såväl till anslutning 6.1/6.2 (IN1, jfr bild) som till anslutning 6.3/6.4 (IN2). TB stänger av pumpen om för höga ingångstemperaturen av golvvärmen upptäcks. Väljs TB-ingången, tillkopplar basstationen automatisk alla ställdon.




## 7 Idrifttagning


 Läs detta avsnitt fullständigt och noggrant innan idrifttagningen.


Multi-IO Boxen inlärs valfritt som standalone-drift direkt på Alpha IP basstationen (FAL 21001/41001) eller på Alpha IP Access Pointen (HAP 21001). Efterföljande konfigurering sker vid Alpha IP basstationsvarianten med Alpha IP väggtermostaten (WTH resp. WTHP 61001) och vid Alpha IP Access Point varianten med Alpha IP appen.

Apparaten är förkonfigurerad för standalone-lösningen.

### 7.1 Inläring utan Alpha IP Access Point (Standalone-drift)

 Håll ett avstånd av minst 50 cm mellan apparaterna vid inläringen.

 Inlärningsprocessen kan avbrytas med en ny kort tryckning av inläringstangenten. Detta bekräftas genom att Multi-IO Boxens LED lyser röd.

 Vid integration i ett befintligt system måste först Alpha IP basstationen och sedan Alpha IP Multi-IO Boxen sätas i inlärningsläget.

ENG

DAN

NOR

FIN

SWE

POL

RUS

För standalone-driften måste inläringen av Alpha IP Multi-IO Boxen ske med Alpha IP basstationen (FAL 21001/41001). Inläring av apparaten:

1. Tryck Select-knappen på Alpha IP basstationen upprepade gånger tills LED ljusen av samtliga uppvärmningszoner lyser grönt.
  2. Tryck systemknappen på Alpha IP basstationen under 4 sekunder tills systemknappens LED snabbt blinkar orange.
- ✓ Inlärningsläget aktiveras automatiskt under 3 minuter.
3. Tryck systemknappen (A) på Multi-IO Boxen under 4 sekunder tills systemknappens LED blinkar orange.



Efter en lyckad inlärningsprocess lyser LED grön. Upprepa åtgärden om LED lyser röd.

## 7.2 Inläring på Alpha IP Access Point



Alpha IP Multi-IO Boxen kan läras in med appen såväl på Alpha IP Access Point som på Homatic centralen CCU2.

För styrning med Alpha IP appen måste inläringen av Alpha IP Multi-IO Boxen ske med Access Pointen (HAP 21001). Inläring av apparaten:

⇒ Alpha IP Access Point har inrättats med Alpha IP appen (se anvisning HAP 21001).

1. Öppna Alpha IP appen på smartphonen.
  2. Välj menyn *Apparatinläring*.
  3. Tryck systemknappen (A) kort tills LED lampan blinkar långsamt orange. Inlärningsläget aktiveras automatiskt under 3 minuter.
- ✓ Apparaten visas automatiskt i Alpha IP appen.
4. Mata in de sista fyra siffrorna av apparatnumret (SGTIN) eller skanna bifogad QR-kod för att bekräfta inlärningsprocessen. Apparatnumret står under medföljande QR-koden resp. direkt på apparaten.



Efter en lyckad inlärningsprocess lyser LED grön. Upprepa åtgärden om LED lyser röd.

5. Följ anvisningarna i appen.

## 8 Indikationer

Indikation	Betydelse	Lösning
Kort orange blinkning	Radioöverföring/Sändningsförsök/Dataöverföring	Vänta till överföringen är avslutad.
1x långt grönt ljus	Åtgärd bekräftad	Användningen kan fortsätta.
1x långt rött ljus	Åtgärden misslyckad	Försök på nytt.
Kort orange blinkning (var 10e sek.)	Inlärningsläge aktivt	Ange de sista fyra siffror av apparatens serienummer som bekräftelse.
1x långt rött ljus	Åtgärden misslyckad eller Duty Cycle-Limit uppnådd	Försök på nytt.
6x lång röd blinkning	Apparaten trasig	Observera indikationen i appen eller kontakta återförsäljaren.
1x orange och 1x grön blinkning	Testindikation	Fortsätt när testindikation har slocknad.

## 9 Rengöring

Använd en torr, mjuk, från lösningsmedel fri trasa för rengöring.

## 10 Återställning av fabriksinställningar

Genom återställning av fabriksinställningarna tappas alla gjorda inställningar.

1. Tryck systemknappen (a) under fyra sekunder tills den snabbt blinkar orange.
  2. Släpp systemknappen.
  3. Tryck systemknappen på nytt tills den lyser grönt.
  4. Släpp systemknappen igen.
- ✓ Fabriksinställningarna är återställda.
  - ✓ Apparaten utför en nystart.

## 11 Urdrifttagning



### VARNING

#### Livsfara genom elektrisk spänning som ligger på Multi-IO Boxen!

- Apparaten får endast öppnas av auktoriserad personal.
  - Stäng av nätspänningen innan öppnande och säkra mot återinkoppling.
  - Koppla bort påliggande främmande spänningar och säkra mot återinkoppling.
1. Lossa alla befintliga kablar.
  2. Demontera apparaten och kassera enligt reglerna för avfallshantering.

ENG

DAN

NOR

FIN

SWE

POL

RUS

## 12 Avfallshantering



Apparaten får inte kastas med hushållssopor! Elektroniska apparater skall enligt direktivet om begagnad elektrisk och elektronisk utrustning lämnas till ett lokalt insamlingsställe för begagnad elektronik.

ENG

DAN

NOR

FIN

SWE

POL


RUS


<b>1</b>	<b>Informacje o niniejszej instrukcji</b>	<b>56</b>
1.1	Obowiązywanie, przechowywanie i przekazywanie instrukcji	56
1.2	Symbole	56
<b>2</b>	<b>Bezpieczeństwo</b>	<b>56</b>
2.1	Użytkowanie w sposób zgodny z przeznaczeniem	56
2.2	Zasady bezpieczeństwa	56
<b>3</b>	<b>Funkcje</b>	<b>57</b>
<b>4</b>	<b>Przegląd urządzenia</b>	<b>57</b>
4.1	Elementy obsługi	57
4.2	Przyłącza	58
4.3	Dane techniczne	58
<b>5</b>	<b>Montaż</b>	<b>59</b>
5.1	Montaż natynkowy	59
5.2	Szyna kapeluszowa (opcja)	59
<b>6</b>	<b>Podłączenie</b>	<b>60</b>
6.1	Podłączenie zasilania	60
6.2	Podłączenie kotła (4.1/4.2)	60
6.3	Przyłączenie osuszacza powietrza (wariant Access Point)	61
6.4	Przyłączenie Change Over Pilot (wariant Access Point)	61
6.5	Przyłączenie pompy (5.1/5.2/5.3)	62
6.6	Przyłączenie czujnika wilgoci (6.3/6.4)	62
6.7	Przyłączenie zewnętrznego sygnału Change Over (6.1/6.2)	63
6.8	Przyłączenie zewnętrznego zegara sterującego (wariant Access Point)	63
6.9	Przyłączenie ogranicznika temperatury (wariant Access Point)	64
<b>7</b>	<b>Rozruch</b>	<b>64</b>
7.1	Przyuczenie bez Alpha IP Access Point (tryb standalone)	64
7.2	Przyuczenie do Alpha IP Access Point	65
<b>8</b>	<b>Wyświetlacz</b>	<b>66</b>
<b>9</b>	<b>Czyszczenie</b>	<b>66</b>
<b>10</b>	<b>Przywracanie ustawień fabrycznych</b>	<b>66</b>
<b>11</b>	<b>Wyłączenie z ruchu</b>	<b>67</b>
<b>12</b>	<b>Utylizacja</b>	<b>67</b>

## 1 Informacje o niniejszej instrukcji

### 1.1 Obowiązki, przechowywanie i przekazywanie instrukcji

Instrukcja dotyczy urządzenia Alpha IP Multi-IO Box 21001 (MIOB). Instrukcja zawiera informacje ważne do rozruchu. Przed rozpoczęciem pracy z użyciem urządzenia należy dokładnie i w całości zapoznać się z instrukcją. Należy przechowywać instrukcję i przekazywać ją kolejnym użytkownikom.

 Niniejsza instrukcja oraz dodatkowe informacje systemowe Alpha IP w zawsze aktualnej wersji są dostępne pod adresem [www.alphaip.de](http://www.alphaip.de).

 Należy stosować się do informacji systemowych, dotyczących funkcji i czynności obsługowych, zawartych w instrukcji Alpha IP Access Point (HAP 2001).

### 1.2 Symbole

W niniejszej instrukcji używane są następujące symbole:



**Oznaczenie zagrożenia:** Informuje o zagrożeniu



**Informacja:** Oznacza ważną lub przydatną informację



Warunek



Rezultat wynikający z przeprowadzonej czynności



Wyliczenie bez ustalonej kolejności



Wyliczenie z ustaloną kolejnością

## 2 Bezpieczeństwo

### 2.1 Użytkowanie w sposób zgodny z przeznaczeniem

Alpha IP Multi-IO Box (MIOB) jest elementem składowym Alpha IP System i służy do

- rozbudowy funkcji Alpha IP o rozwiązania w zakresie klimatyzacji pomieszczeń i regulacji temperatury dużych powierzchni
- podłączenia pompy cyrkulacyjnej i kotła grzewczego
- podłączenia czujnika temperatury i wilgoci
- monitorowania punktu rosy
- sterowania trybami roboczymi

każde inne użycie, zmiana i przebudowa są jednoznacznie zakazane. Użytkowanie w sposób niezgodny z przeznaczeniem prowadzi do zagrożeń, za które producent nie odpowiada oraz do utraty gwarancji i wykluczenia odpowiedzialności.

### 2.2 Zasady bezpieczeństwa

Nie przejmuje się odpowiedzialności za szkody osobowe i materialne, występujące w rezultacie niewłaściwej obsługi lub niestosowania się do zasad bezpieczeństwa. Nie przejmuje się odpowiedzialności za wystąpienie szkód osobowych i materialnych z powodu niewłaściwej obsługi lub niestosowania się do informacji o zagrożeniach. W takich przypadkach wygasają wszelkie uprawnienia z tytułu gwarancji.



Nie przejmuje się odpowiedzialności za następstwa szkód.

- Otwarcie urządzenia możliwe jest jedynie przez autoryzowany personel.
- Nie należy użytkować urządzenia bez osłony.
- Należy użytkować wyłącznie produkt, którego stan techniczny jest nienaganny.
- Osoby (dotyczy również dzieci) o ograniczonych możliwościach fizycznych, wykazujące niepełnosprawności w zakresie narządów zmysłów oraz ograniczonych zdolnościach intelektualnych, wykazujące brak doświadczenia lub wiedzy, nie powinny obsługiwać urządzenia ani korzystać z niego. W razie konieczności osoby te powinny być nadzorowane przez osobę odpowiedzialną za ich bezpieczeństwo, bądź otrzymać od niej pouczenia dotyczące obsługi produktu.
- Należy dopilnować, aby urządzeniem ani opakowaniem nie bawiły się dzieci. Dzieci nie należy pozostawiać bez opieki.
- W razie potrzeby należy odłączyć od napięcia system regulacji dla całego pomieszczenia.
- Należy przestrzegać zasad dotyczących ograniczeń możliwości urządzenia i warunków otoczenia.
- Kable podłączonych odbiorników należy tak układać, aby nie powstało zagrożenie dla osób i zwierząt domowych (np. wskutek potknięcia).
- Urządzenie należy użytkować wyłącznie w środowisku suchym, wolnym od pyłu.
- Nie wystawiać urządzenia na wpływ wilgoci, wibracji, ciągłego nasłonecznienia lub promieniowania ciepłego, zimna ani obciążeń mechanicznych.

### 3 Funkcja

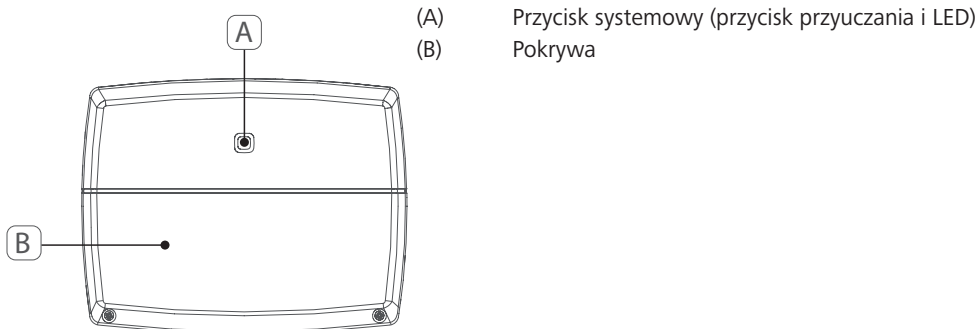
Alpha IP Multi-IO Box to centralna jednostka sterownicza do przełączania pomp cyrkulacyjnych i kotłów grzewczych w otoczeniu mieszkalnym i podobnym. Urządzenie umożliwia regulację temperatury pomieszczeń i wody za pośrednictwem Alpha IP App lub - w wersji stand-alone - za pomocą urządzenia do obsługi pomieszczeń.

Transmisja radiowa odbywa się za pośrednictwem protokołu radiowego Homematic (HmIP). Droga transmisji radiowej nie jest przyporządkowana wyłącznie do urządzenia, dlatego zakłócenia nie są wykluczone. Zakłócenia może spowodować np. wpływ procesów przełączania, silniki elektryczne i uszkodzone, elektryczne artykuły gospodarstwa domowego.

Informacja o zakresie funkcji, wynikającym wewnątrz systemu Alpha IP ze współdziałania z innymi elementami, zawarta jest w podręczniku użytkownika Alpha IP.

### 4 Przegląd urządzenia

#### 4.1 Elementy obsługi



ENG

DAN

NOR

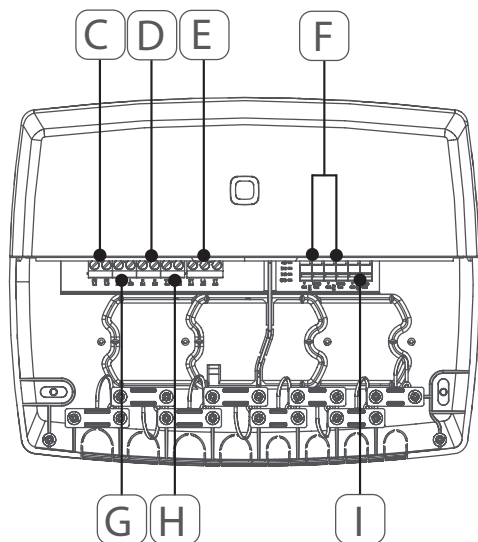
FIN

SWE

POL

RUS

## 4.2 Przyłącza



- (C) Zaciski przyłączowe dla PE (przewód ochronny)
- (D) Zaciski przyłączowe dla N (przewód zerowy)
- (E) Blok zacisków przyłączowych 5  
(zestyk przełączny: 2 = zestyk rozwierny / 1 = zestyk zwierny. np. do podłączenia pompy cyrkulacyjnej, osuszacza powietrza, CO Pilot)
- (F) Zaciski przyłączowe do IN1/IN2 (tryb grzania, chłodzenia lub eco, ogranicznik temperatury lub czujnik wilgoci)
- (G) Zaciski przyłączowe dla L (przewód zewnętrzny)
- (H) Zacisk przyłączowy 4 (np. do podłączenia kotła grzewczego, osuszacza powietrza, CO Pilot)
- (I) Zaciski przyłączowe dla AOUT (0-10 V wyjście)
- (J) Sygnalizatory świetlne LED informujące o stanie przyłącza: Pompa (5.2), kocioł (4.2), status wejścia 1 (IN1), status wejścia 2 (IN2), zasilanie (PWR) oraz stan Change Over (C/O)



Zacisk przyłączowy AOUT (I) nie pełni obecnie żadnej funkcji.

## 4.3 Dane techniczne

Skrócona nazwa urządzenia	ALPHA-IP-MIOB
Napięcie zasilania	230 V / 50 Hz
Pobór prądu	16 A maks.
Maks. Moc załączalna wyjście 1	3680 W, $\cos\phi \geq 0,95$ (styk beznapięciowy)
Maks. Moc załączalna wyjście 2	1840 W, $\cos\phi \geq 0,95$ (styk beznapięciowy)
Rodzaj i średnica przewodu	Przewody nieruchome i elastyczne 0,75 - 2,5 mm <sup>2</sup>
Stopień ochrony	IP20
Klasa zabezpieczenia	II
Temperatura otoczenia	od 0 do 50°C
Wymiary (dł. x szer. x wys.)	198,6 x 155,8 x 33,5 mm
Masa	365 g
Częstotliwość komunikacji radiowej	868,3 MHz / 869,525 MHz
Kategoria odbiornika	SRD category 2
Typ. Zasięg fal radiowych	375 m
Duty Cycle	< 1% / h / < 10% / h
Dyrektywy	2014/53/UE Urządzenia radiowe 2014/30/UE Zgodność elektromagnetyczna 2011/65/UE RoHS 2014/35/UE Dyrektywa niskonapięciowa

ENG

DAN

NOR

FIN

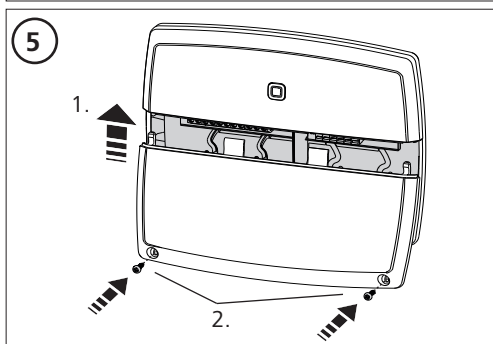
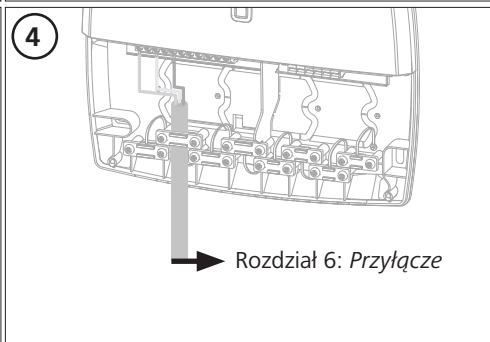
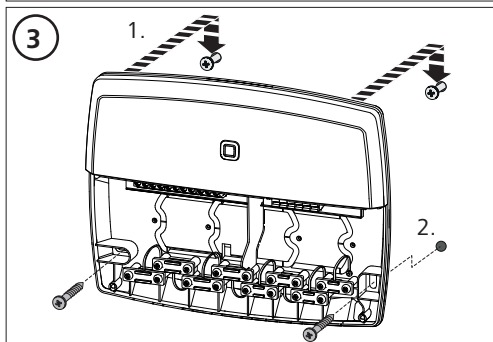
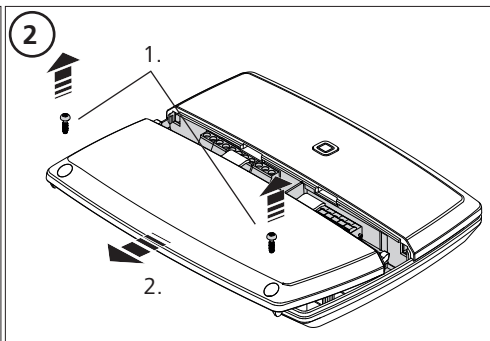
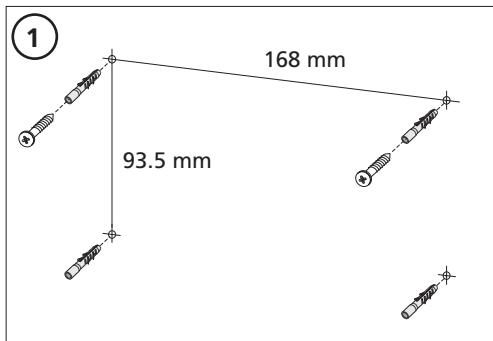
SWE

POL

RUS

## 5 Montaż

## 5.1 Montaż natynkowy



## 5.2 Szyna kapeluszowa (opcja)

**i** Informacje dotyczące montażu Multi-IO Box na szynie kapeluszowej są zawarte w instrukcji obsługi opcjonalnie dostępnego adaptera szyny kapeluszowej.

ENG

DAN

NOR

FIN

SWE

POL

RUS

## 6 Przyłącze



### OSTRZEŻENIE

**Zagrożenie życia spowodowane przez napięcie elektryczne, podłączone do urządzenia Multi-IO Box!**

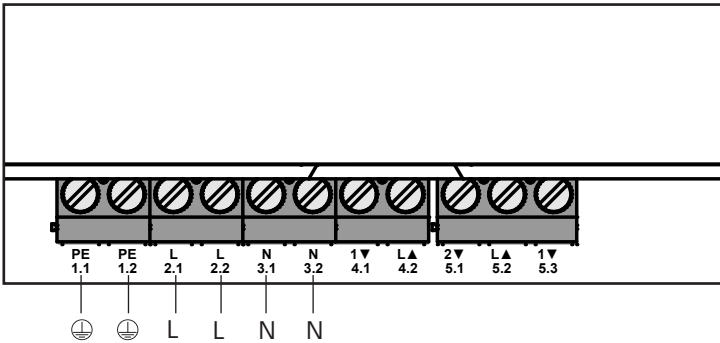
- Otwarcie urządzenia możliwe jest jedynie przez autoryzowany personel.
- Przed otwarciem należy wyłączyć napięcie i zabezpieczyć przed ponownym włączeniem.
- Przed otwarciem należy wyłączyć podłączone do urządzenia zasilanie obce i zabezpieczyć je przed ponownym włączeniem.

Podłączenie MIOB zależy od czynników indywidualnych i wymaga starannego zaplanowania i wykonania przez instalatora.

Do przyłączy wtykowych/zaciskowych możliwe jest zastosowanie przewodów o następujących przekrojach:

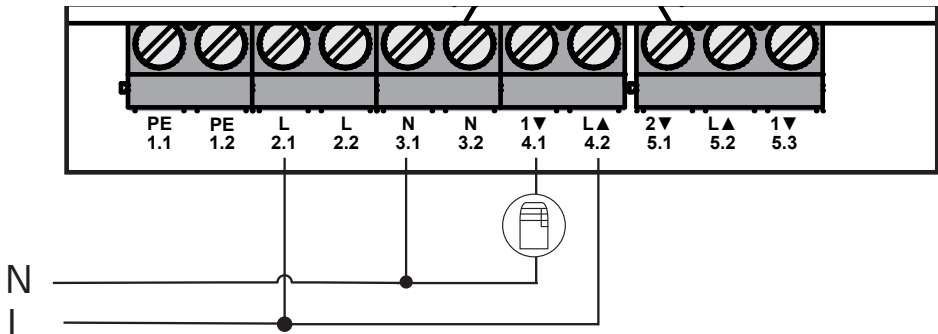
- przewód masywny: 0,75 – 2,5 mm<sup>2</sup>
- przewód elastyczny (z końcówką żyły lub bez): 0,75 – 2,5 mm<sup>2</sup>
- Końcówki przewodu wymagają zdjęcia izolacji na 8-9 mm

### 6.1 Podłączenie zasilania



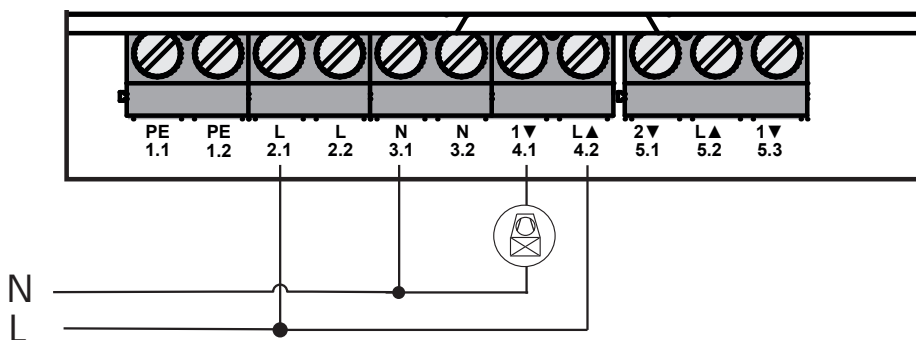
### 6.2 Podłączenie kotła (4.1/4.2)

Przyłącze 4.1/4.2 jest przekaźnikiem o charakterze styku beznapięciowego. W wersji standalone podłączony jest wyłącznie kocioł grzewczy. W przypadku eksploatacji Alpha IP App za pośrednictwem Alpha IP Access Point możliwe jest również wykorzystanie przyłączy do podłączenia osuszacza powietrza Change Over Pilot (CO Pilot). Alternatywną możliwością stanowi Homematic CCU 2, przyłączy użytkuje się jako element wykonawczy Switch.



### 6.3 Przyłączenie osuszacza powietrza (wariant Access Point)

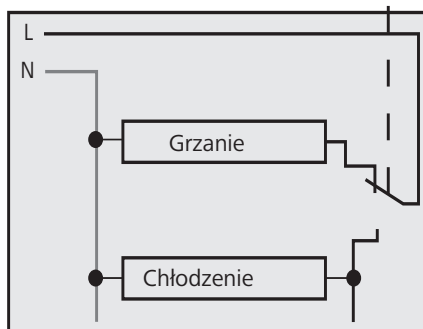
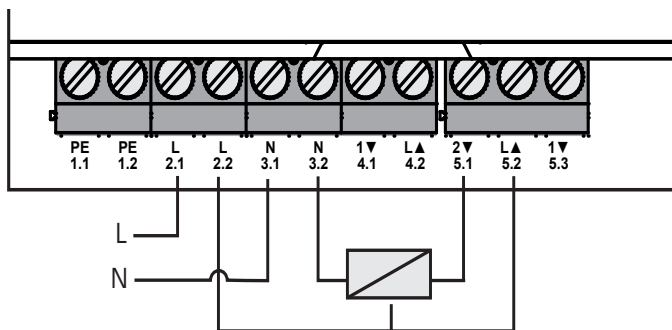
W wersji Access Point możliwa jest eksploatacja osuszacza. Osuszacz powietrza może być podłączony zarówno do przyłącza 4.1/4.2 (por. rys.), jak i do przyłącza 5.2/5.3. Osuszacz powietrza pozwala na redukcję zbyt wysokiej wilgotności powietrza w pomieszczeniu.



### 6.4 Przyłączenie Change Over Pilot (wariant Access Point)

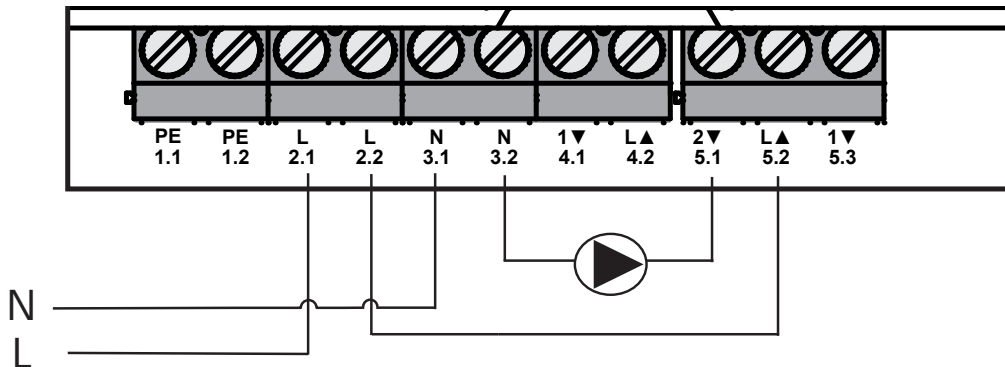
W wersji Access Point możliwe jest podłączenie wewnętrznej funkcji pilota do przełączania całości urządzenia pomiędzy trybami grzania i chłodzenia.

Sygnal wyjściowy CO Pilot może być podłączony zarówno do przyłącza 4.1/4.2, jak i do przyłącza 5.2/5.3. (por. rys.).



### 6.5 Przyłącze pompy (5.1/5.2/5.3)

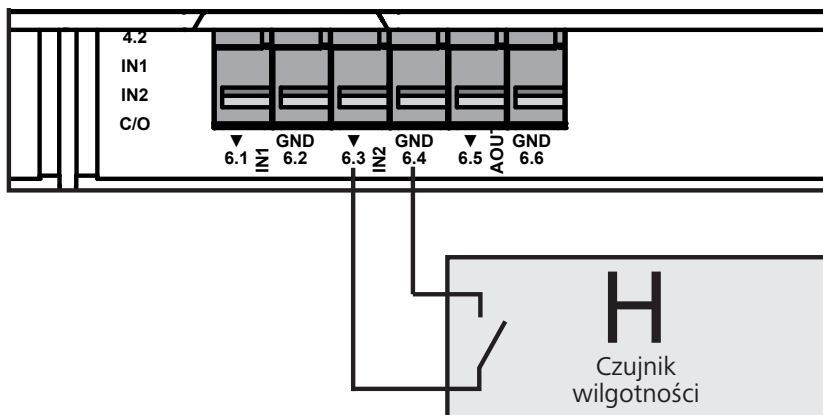
Przyłącze 5.1/5.2/5.3 jest przekaźnikiem o charakterze styku beznapięciowego. W wersji standalone podłączona jest wyłącznie pompa. W przypadku eksploatacji Alpha IP App za pośrednictwem Alpha IP Access Point możliwe jest również wykorzystanie przyłącza do podłączenia czujnika wilgotności powietrza lub CO Pilot.



### 6.6 Przyłączenie czujnika wilgoci (6.3/6.4)

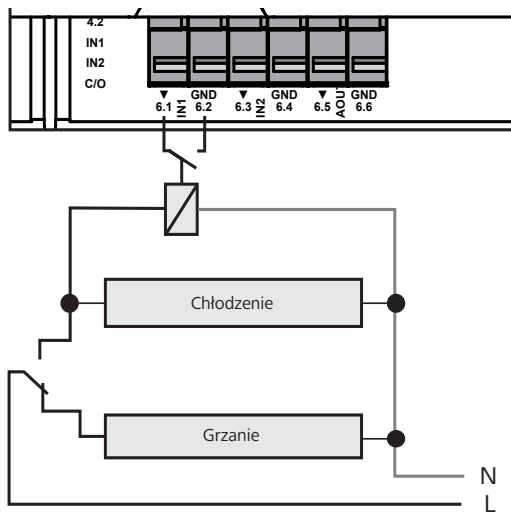
Przyłącze 6.3/6.4 (IN2) jest wejściem styków beznapięciowych. W wersji standalone podłączony jest wyłącznie czujnik wilgotności. W przypadku eksploatacji Alpha IP App za pośrednictwem Alpha IP Access Point możliwe jest również wykorzystanie przyłącza do podłączenia ogranicznika temperatury (TB) lub External Clock (ECO). Homematic CCU 2 pozwala na indywidualną aktywację wszystkich wejść i wyjść.

Czujniki wilgoci, które powinien dostarczyć odbiorca, służą do ochrony przed roszeniem w trybie chłodzenia.



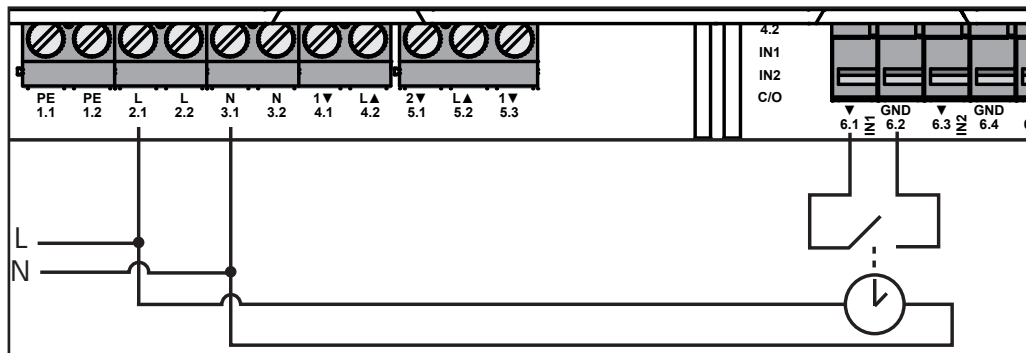
## 6.7 Przyłączenie zewnętrznego sygnału Change Over (6.1/6.2)

Przyłącze 6.1/6.2 (IN1) jest wejściem styków beznapięciowych. W wersji standalone podłączony jest wyłącznie sygnał Change-Over (CO). W przypadku eksploatacji Alpha IP App za pośrednictwem Alpha IP Access Point możliwe jest również wykorzystanie przyłącza do podłączenia ogranicznika temperatury (TB) lub External Clock (ECO).



## 6.8 Przyłączenie zewnętrznego zegara sterującego (wariant Access Point)

W wersji Access Point możliwe jest korzystanie z zewnętrznego zegara sterującego. Zewnętrzny zegar sterujący (ECO) może być podłączony zarówno do przyłącza 6.1/6.2 (IN1, por. rys.), jak i do przyłącza 6.3/6.4 (IN2). Po aktywacji tego wejścia przez zegar sterujący strefy grzewcze, które są w ten sposób sparametryzowane, ulegają przełączeniu na tryb nocny.



ENG

DAN

NOR

FIN

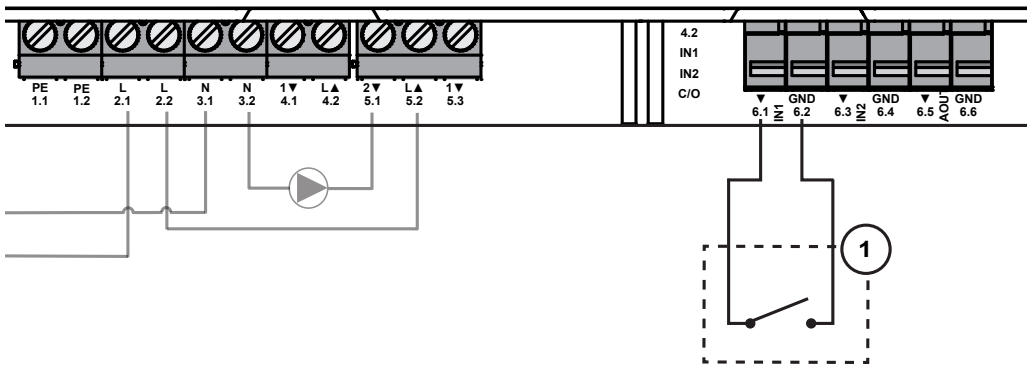
SWE

POL


RUS

## 6.9 Przyłączenie ogranicznika temperatury (wariant Access Point)

W wersji Access Point możliwa jest eksploatacja ogranicznika temperatury (1). Ogranicznik temperatury (TB) może być podłączony zarówno do przyłącza 6.1/6.2 (IN1, por. rys.), jak i do przyłącza 6.3/6.4 (IN2). Ogranicznik temperatury wyłącza pompę, gdy system rozpozna zbyt wysokie temperatury na dopływie ogrzewania podłogowego. W przypadku aktywacji wejścia ogranicznika temperatury stacja bazowa automatycznie unieruchamia wszystkie napędy.




## 7 Uruchomienie


 Przed uruchomieniem należy starannie zapoznać się z całością treści tego odcinka.


Przyłączenie Multi-IO Box odbywa się bezpośrednio do stacji bazowej Alpha IP (FAL 21001/41001) lub do Alpha IP Access Point (HAP 21001). Następująca konfiguracja odbywa się w wersji stacji bazowej Alpha IP za pośrednictwem termostatu ściennego Alpha IP (WTH lub WTHP 61001) a w wersji Alpha IP Access Point za pośrednictwem Alpha IP App.

Urządzenie jest wstępnie skonfigurowane do rozwiązania standalone.

### 7.1 Przyłączenie bez Alpha IP Access Point (tryb standalone)

 Podczas przyłączenia należy zachować odległość 50 cm.

 Możliwe jest przerwanie procesu przyłączania przez ponowne, krótkie wciśnięcie przycisku przyłączania. Stan taki potwierdzi zapalenie się diody LED Multi-IO Box na czerwono.

 W przypadku integracji z istniejącym systemem należy włączyć tryb przyłączania najpierw dla stacji bazowej Alpha IP, a następnie dla Alpha IP Multi-IO Box.



W celu eksploatacji w trybie standalone konieczne jest przyuczenie Alpha IP Multi-IO Box za pośrednictwem stacji bazowej Alpha IP (FAL 21001/41001). Urządzenie należy przyuczyć w sposób następujący:

1. Wielokrotnie przyciskać przycisk systemowy stacji bazowej Alpha IP do momentu, w którym dioda LED będzie pulsować na zielono.
2. Przycisnąć przycisk systemowy stacji bazowej Alpha IP i przytrzymać 4 sekundy, dioda LED przycisku systemowego zacznie pulsować.
- ✓ Tryb przyuczenia aktywny jest przez 3 minuty.
3. Przycisnąć przycisk systemowy (A) Multi-IO Box i przytrzymać 4 sekundy, dioda LED przycisku systemowego zacznie pulsować.



Po przeprowadzeniu procedury przyuczenia z powodzeniem dioda LED świeci się na zielono. Jeżeli dioda LED świeci się na czerwono, proces należy powtórzyć.

## 7.2 Przyuczenie do Alpha IP Access Point



Możliwe jest przyuczenie Alpha IP Multi-IO Box za pomocą aplikacji zarówno do Alpha IP Access Point, jak i do centrali Homatic CCU2.

W celu sterowania za pośrednictwem Alpha IP App konieczne jest przyuczenie Alpha IP Multi-IO Box za pośrednictwem Access Point (HAP 21001). Urządzenie należy przyuczyć w sposób następujący:

⇒ Alpha IP Access Point został ustawiony za pomocą Alpha IP App (patrz instrukcja HAP 21001).

1. Otworzyć Alpha IP App na smartfonie.
2. Wybrać punkt menu *Przyuczenie urządzenia*.
3. Wcisnąć krótko przycisk systemowy (A), aż dioda LED zacznie wolno pulsować światłem pomarańczowym. Tryb przyuczenia aktywny jest przez 3 minuty.
- ✓ Urządzenie pojawia się automatycznie w Alpha IP App.
4. W celu potwierdzenia wprowadzić ostatnie cztery cyfry numeru urządzenia (SGTIN) lub zeskanować dołączony kod QR. Numer urządzenia znajduje się pod dołączonym kodem QR lub bezpośrednio na urządzeniu.



Po przeprowadzeniu procedury przyuczenia z powodzeniem dioda LED świeci się na zielono. Jeżeli dioda LED świeci się na czerwono, proces należy powtórzyć.

5. Należy postępować według wskazań aplikacji.

**8 Wskaźniki**

Wskazanie	Znaczenie	Rozwiązanie
Szybkie pulsowanie światła pomarańczowego	Transmisja radiowa / próba wysłania / transmisja danych	Należy odczekać do chwili zakończenia transmisji.
1x długie światło zielone	Proces potwierdzony	Możliwa jest kontynuacja obsługi.
1x długie światło czerwone	Proces zakończony niepowodzeniem	Proszę spróbować ponownie.
Krótkie impulsy światła pomarańczowego (co 10 s)	Aktywny tryb przyuczania	W celu potwierdzenia należy wprowadzić cztery ostatnie cyfry numeru serii urządzenia.
1x długie światło czerwone	Proces zakończony niepowodzeniem lub osiągnięto Duty Cycle-Limit	Proszę spróbować ponownie.
6x długi impuls światła czerwonego	Urządzenie jest niesprawne	Należy zapoznać się z komunikatem w aplikacji lub zwrócić się do dystrybutora.
1x impuls światła pomarańczowego i 1x impuls światła zielonego	Wskazanie testowe	Po wygaśnięciu wskazania testowego możliwa jest kontynuacja.

**9 Czyszczenie**

W celu czyszczenia należy posłużyć się suchą szmatką, nienasączoną rozpuszczalnikiem.

**10 Powrót do ustawień fabrycznych**

Przywrócenie ustawień fabrycznych powoduje utratę wszystkich wprowadzonych ustawień.

1. Przycisnąć przycisk systemowy (A) i przytrzymać 4 sekundy, aż zacznie szybko pulsować światłem pomarańczowym.
2. Zwolnić przycisk systemowy.
3. Następnie należy ponownie przycisnąć i przytrzymać przycisk systemowy przez 4 sekundy, aż zaświeci się na zielono.
4. Ponownie zwolnić przycisk systemowy.
  - ✓ Nastąpi powrót do ustawień fabrycznych.
  - ✓ Urządzenie wykonuje restart systemu.

## 11 Wyłączenie z eksploatacji



### OSTRZEŻENIE

#### Zagrożenie życia spowodowane przez napięcie elektryczne, podłączone do urządzenia Multi-IO Box!

- Otwarcie urządzenia możliwe jest jedynie przez autoryzowany personel.
  - Przed otwarciem należy wyłączyć napięcie i zabezpieczyć przed ponownym włączeniem.
  - Przed otwarciem należy wyłączyć podłączone do urządzenia zasilanie obce i zabezpieczyć je przed ponownym włączeniem.
1. Wszelkie istniejące kable należy odłączyć.
  2. Zdemontować urządzenie i poddać je stosownej utylizacji.

## 12 Utylizacja



Nie należy umieszczać urządzeń w zasobnikach na odpad domowy! Zgodnie z dyrektywą, dotyczącą zużytych urządzeń elektrycznych i elektronicznych, należy dostarczyć zużyte urządzenia elektroniczne do punktu zbiórki.

ENG

DAN

NOR

FIN

SWE

POL

RUS

<b>1</b>	<b>Об этом руководстве</b>	<b>69</b>
1.1	Действие, хранение и передача руководства	69
1.2	Символы	69
<b>2</b>	<b>Безопасность</b>	<b>69</b>
2.1	Использование по назначению	69
2.2	Указания по технике безопасности	69
<b>3</b>	<b>Функция</b>	<b>70</b>
<b>4</b>	<b>Обзор устройства</b>	<b>70</b>
4.1	Элементы управления	70
4.2	Разъемы	71
4.3	Технические характеристики	71
<b>5</b>	<b>Монтаж</b>	<b>72</b>
5.1	На штукатурку	72
5.2	Монтажная шина (опция)	72
<b>6</b>	<b>Подключение</b>	<b>73</b>
6.1	Подключение электропитания	73
6.2	Подключение котла (4.1/4.2)	73
6.3	Подключение осушителя воздуха (вариант Access Point)	74
6.4	Подключение Change Over Pilot (вариант Access Point)	74
6.5	Подключение насоса (5.1/5.2/5.3)	75
6.6	Подключение датчика влажности (6.3/6.4)	75
6.7	Подключение внешнего сигнала переключения (Change Over) (6.1/6.2)	76
6.8	Подключение внешнего таймера (вариант Access Point)	76
6.9	Подключение ограничителя температуры (вариант Access Point)	77
<b>7</b>	<b>Ввод в эксплуатацию</b>	<b>77</b>
7.1	Настройка без Alpha IP Access Point (автономный режим)	77
7.2	Настройка на Alpha IP Access Point	78
<b>8</b>	<b>Индикаторы</b>	<b>79</b>
<b>9</b>	<b>Чистка</b>	<b>79</b>
<b>10</b>	<b>Восстановление заводских настроек</b>	<b>79</b>
<b>11</b>	<b>Вывод из эксплуатации</b>	<b>80</b>
<b>12</b>	<b>Утилизация</b>	<b>80</b>

## 1 Об этом руководстве

### 1.1 Действие, хранение и передача руководства

Настоящее руководство действительно для многофункционального блока ввода-вывода данных Alpha IP 21001 (MIOB). Руководство содержит информацию по вводу устройства в эксплуатацию. Приступая к работе с устройством, следует внимательно полностью прочитать настоящее руководство. Руководство следует хранить и передавать следующим пользователям.



Это руководство, а также дополнительная системная информация по Alpha IP в актуальной редакции постоянно доступны в Интернете на странице [www.alphaip.de](http://www.alphaip.de).



Учитывать системную информацию, функции и ступени управления из руководства Alpha IP Access Point (HAP 2001).

### 1.2 Символы

В настоящем руководстве используются следующие символы.



**Знаки безопасности:** Указывает на опасность



**Примечание:** обозначает важную или полезную информацию



Условие



Результат действия



Перечень без жесткой последовательности

1., 2. Указание с жесткой последовательностью

## 2 Безопасность

### 2.1 Использование по назначению

Многофункциональный блок ввода-вывода данных Alpha IP (MIOB) является составной частью системы Alpha IP и предназначен для

- использования в качестве функционального расширения системы климатизации помещения Alpha IP для темперирования помещений с использованием поверхностей стен и пола
- подключения циркуляционного насоса и отопительного котла
- подключения датчика температуры или влажности
- контроля точки росы
- управления режимами работы

Любое иное применение, изменения и переоборудование категорически запрещены. Использование не по назначению приводит к опасностям, за которые производитель ответственности не несет и отказу от гарантий и ответственности.

### 2.2 Инструкции по технике безопасности

Для избежания несчастных случаев с травмами людей и материальным ущербом следует соблюдать все указания по технике безопасности, приведенные в настоящем руководстве. Производитель не несет ответственности за травмы людей и материальный ущерб, возникшие в результате неправильного обращения с устройством или несоблюдения указаний на опасности. В таких случаях любое притязание на

предоставление гарантии теряет свою силу. Производитель не несет ответственности за результирующие повреждения.

- Открывать устройство могут только авторизованные специалисты.
- Не эксплуатировать устройство без крышки.
- Использовать только технически исправное изделие.
- Изделие не предназначено для использования лицами (включая детей) с ограниченными физическими, сенсорными или умственными способностями, а также лицами без соответствующего опыта и/или знаний. При необходимости такие люди должны находиться под присмотром лица, ответственного за их безопасность, или получать от такого лица соответствующие инструкции по использованию изделия.
- Убедиться, что дети не играют с устройством или упаковкой. Дети должны находиться под присмотром.
- В аварийной ситуации обесточить всю систему регулирования температуры в отдельном помещении.
- Соблюдать предельные характеристики устройства и условия его эксплуатации.
- Прокладывать кабели подсоединенных потребителей таким образом, чтобы они не представляли опасности для людей и домашних животных (напр., опасность споткнуться и упасть).
- Эксплуатировать устройство только в сухой и непыльной среде.
- Не подвергать устройство воздействию влажности, вибраций, постоянного солнечного или другого теплового излучения, холода или механических нагрузок.

### 3 Функция

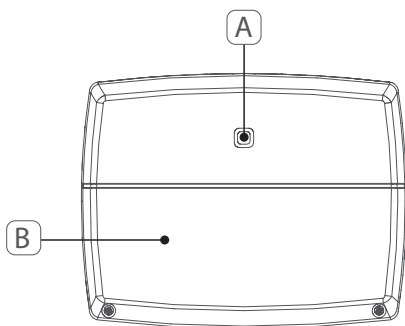
Многофункциональный блок ввода-вывода данных Alpha IP – это центральный блок управления для подключения циркуляционных насосов и отопительных котлов в жилых помещениях. Устройство обеспечивает регулировку температуры в помещении или температуру воды с приложения Alpha IP или, в качестве автономного варианта, с комнатной панели управления.

Связь с другими компонентами осуществляется посредством радио-протокола Homematic (HmIP). Передача радиосигналов реализована по невыделенному каналу связи, из-за чего полностью исключить помехи невозможно. Помехи могут быть вызваны, напр., коммутационными процессами, электродвигателями или неисправным электрооборудованием.

Объем функций устройства, доступных в рамках системы Alpha IP при взаимодействии с другими компонентами, см. в руководстве пользователя Alpha IP.

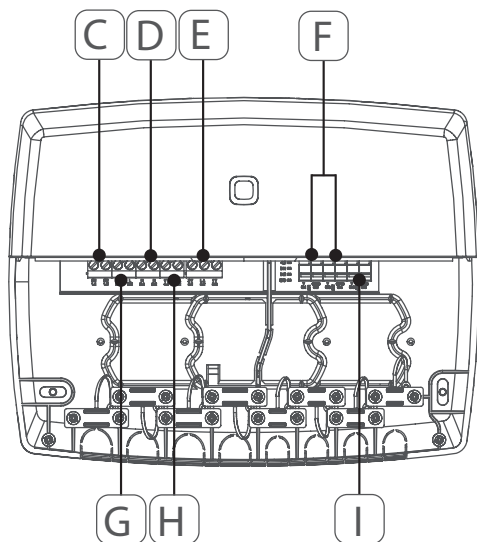
## 4 Обзор устройства

### 4.1 Элементы управления



- (A) Системная кнопка (кнопка настройки и светодиод)
- (B) Крышка

## 4.2 Разъемы



- (C) Соединительные зажимы для PE (провод заземления)
- (D) Соединительные зажимы для N (нулевой провод)
- (E) Соединительная клеммная колодка 5 (переключающий контакт: 2 = замыкающий контакт / 1 = размыкающий контакт. Напр., для подключения циркуляционного насоса, осушителя воздуха, CO Pilot)
- (F) Соединительные зажимы для IN1/IN2 (режим отопления, охлаждения или экономичный режим (Eco), ограничитель температуры или датчик влажности)
- (G) Соединительные зажимы для L (внешний провод)
- (H) Соединительный зажим 4 (напр., для подключения отопительного котла, осушителя воздуха, CO Pilot)
- (I) Соединительный зажим для AOOUT (0-10 В выход)
- (J) Светодиодные индикаторы для индикации подключения: Насос (5.2), котел (4.2), статус Ввод 1 (IN1), статус Ввод 2 (IN2), питание (PWR) и состояния переключения (Change Over) (закрытый/открытый)



Соединительный зажим (I) в настоящее время без функции.

## 4.3 Технические характеристики

Условное обозначение устройства	ALPHA-IP-MIOB
Питающее напряжение	230 В / 50 Гц
Потребляемый ток	16 А макс.
Макс. коммутационная способность выход 1	3680 Вт, cosφ ≥ 0,95 (беспотенциальный)
Макс. коммутационная способность выход 2	1840 Вт, cosφ ≥ 0,95 (беспотенциальный)
Род прокладки проводов и поперечное сечение провода	жесткий и гибкий провод 0,75 – 2,5 мм <sup>2</sup>
Класс защиты	IP20
Вид защиты	II
Температура окружающей среды	От 0 до 50°C
Размеры (Ш x В x Г)	198,6 x 155,8 x 33,5 мм
Масса	365 г
Радиочастота	868,3 МГц / 869,525 МГц
Категория приема	SRD category 2
Стандарт. зона приема радиосигнала	375 м
Продолжительность включения	< 1 % в ч / < 10 % в ч
Директивы	2014/53/EC по радиооборудованию 2014/30/EC по ЭМС 2011/65/EU RoHS 2014/35/EC по низковольтному оборудованию

ENG

DAN

NOR

FIN

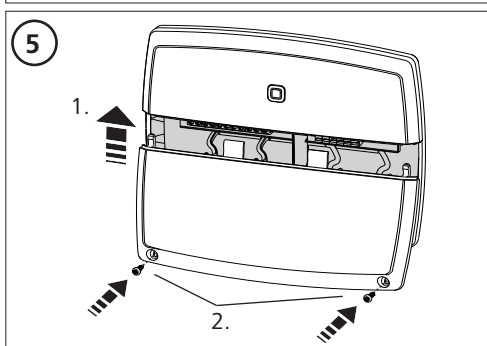
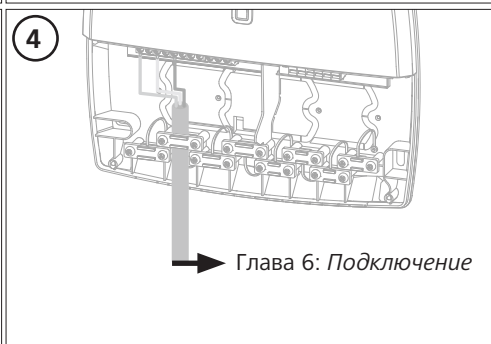
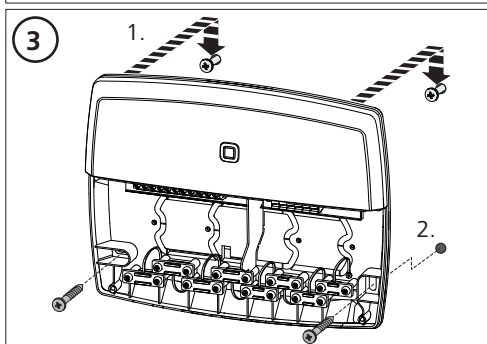
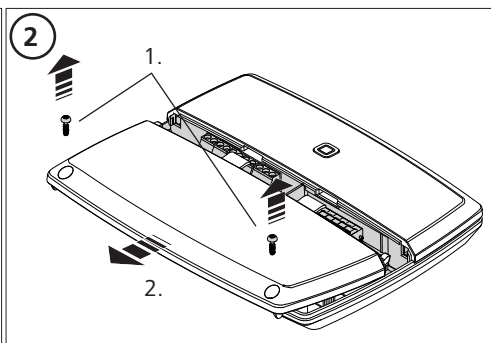
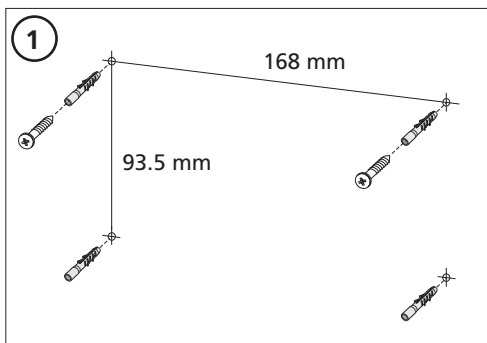
SWE

POL

RUS

## 5 Монтаж

### 5.1 На штукатурку



### 5.2 Монтажная шина (опция)



Сведения по монтажу многофункционального блока ввода-вывода данных на монтажную шину см. в руководстве по эксплуатации к адаптеру монтажной шины (приобретается отдельно).



## 6 Подключение



### ВНИМАНИЕ!

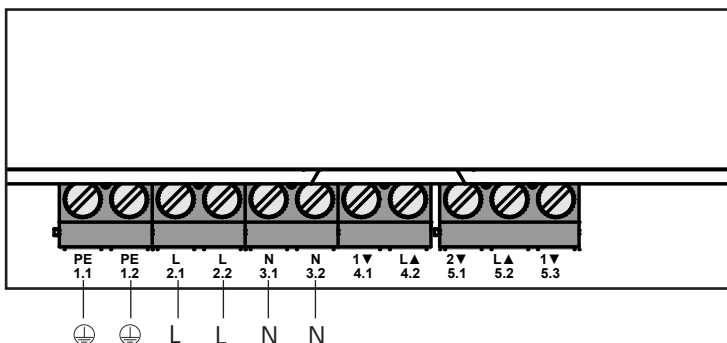
**Опасность поражения электрическим током многофункционального блока ввода-вывода данных!**

- Открывать устройство могут только авторизованные специалисты.
  - Прежде, чем открыть устройство, следует выключить сетевое напряжение и блокировать устройство от повторного включения.
  - Отключить подаваемое постороннее напряжение и блокировать устройство от повторного включения.
- Схема подключения МЮВ зависит от индивидуальных факторов и подлежит тщательному планированию и реализации (осуществляет монтажник).

Для штепсельных/ клеммных соединений используются следующие поперечные сечения:

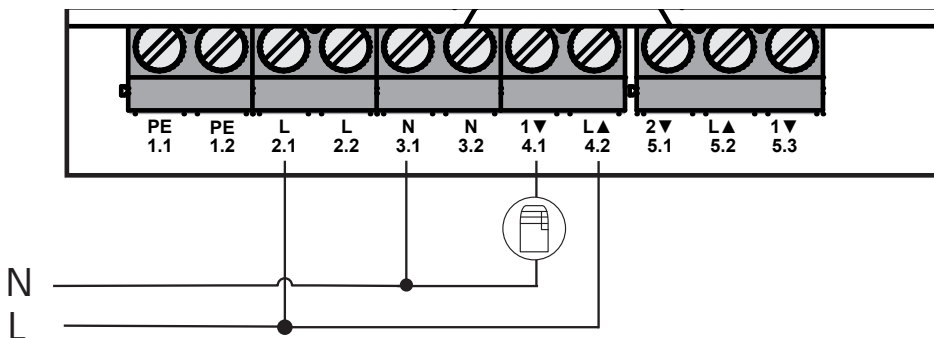
- жесткий провод: 0,75 – 2,5 мм<sup>2</sup>
- гибкий провод (с кабельным зажимом или без него): 0,75 – 2,5 мм<sup>2</sup>
- Концы провода 8 – 9 мм с удаленной изоляцией

### 6.1 Подключение электропитания



### 6.2 Подключение котла (4.1/4.2)

Гнездо 4.1/4.2 – это реле, используемое в качестве беспотенциального выключателя. В автономном варианте подключается только отопительный котел. При использовании с приложением Alpha IP через Alpha IP Access Point гнездо может использоваться также для осушителя воздуха или Change Over Pilot (CO Pilot). В качестве альтернативы в сочетании с Homematic CCU 2 гнездо можно использовать в качестве привода переключателя.



ENG

DAN

NOR

FIN

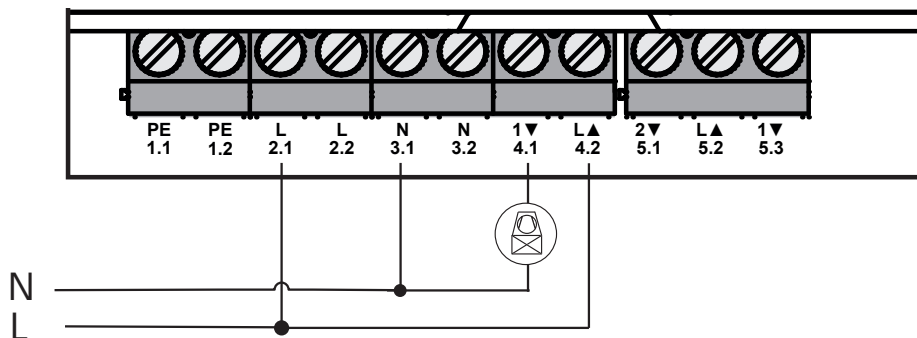
SWE

POL

RUS

### 6.3 Подключение осушителя воздуха (вариант Access Point)

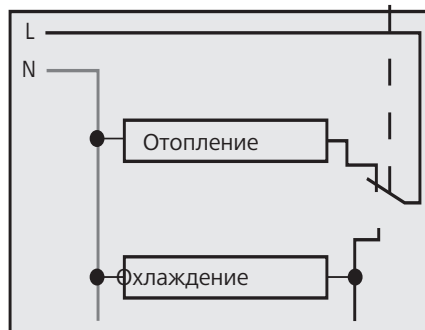
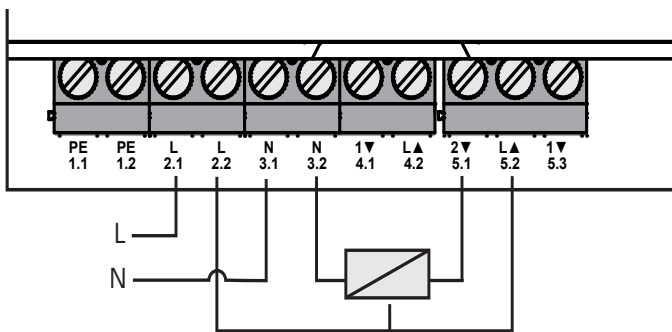
В варианте Access Point можно использовать осушитель. Осушитель воздуха можно подсоединить как к гнезду 4.1/4.2 (см. рис.), так и к гнезду 5.2/5.3. Осушитель воздуха позволяет снизить слишком высокую влажность воздуха в помещении.



### 6.4 Подключение Change Over Pilot (вариант Access Point)

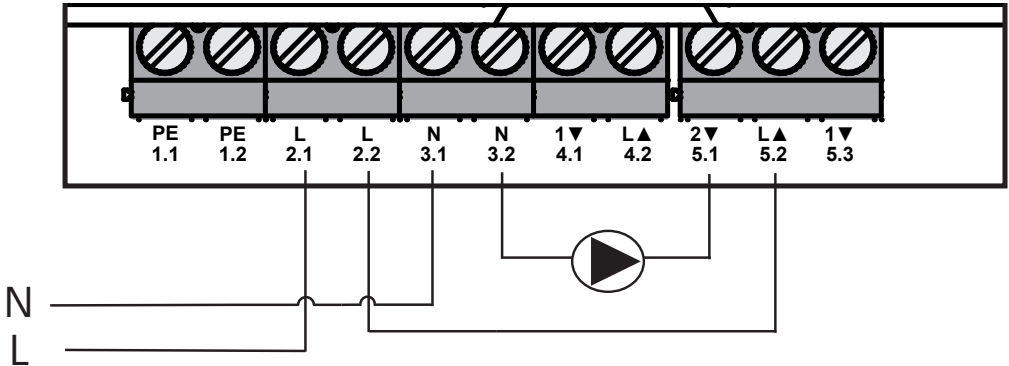
В варианте Access Point можно подключить внутреннюю Pilot-функцию для переключения всей системы между режимами отопления и охлаждения.

Выходной сигнал CO Pilot (Change Over Pilot) можно подключить как к гнезду 4.1/4.2, так и к гнезду 5.2/5.3 (см. рис.).



### 6.5 Подключение насоса (5.1/5.2/5.3)

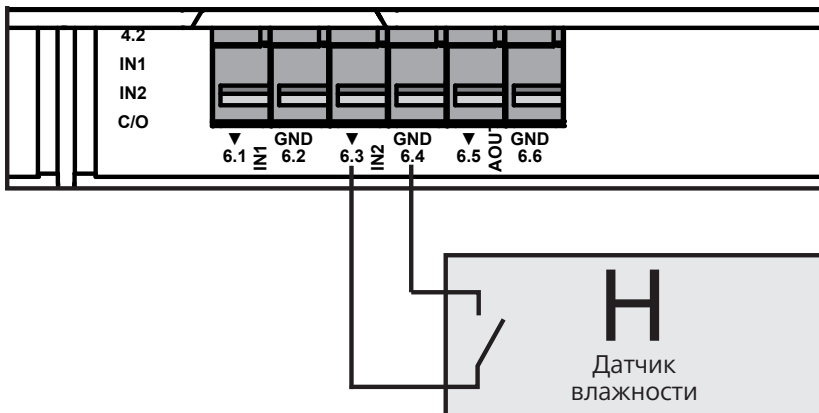
Гнездо 5.1/5.2/5.3 – это реле переключения, используемое в качестве беспотенциального переключателя. В автономном варианте подключается только насос. При использовании с приложением Alpha IP через Alpha IP Access Point гнездо может использоваться также для осушителя воздуха или Change Over Pilot (CO Pilot).



### 6.6 Подключение датчика влажности (6.3/6.4)

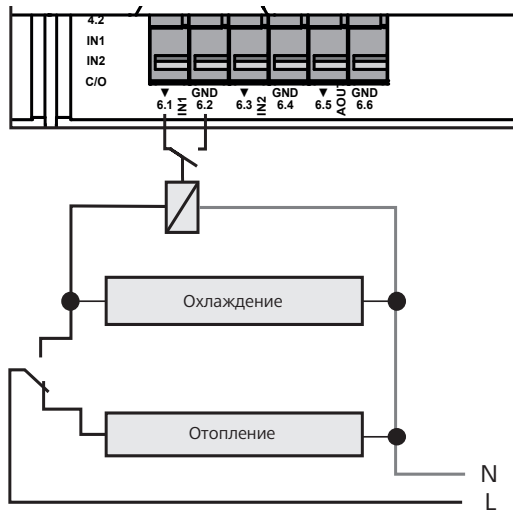
Гнездо 6.3/6.4 (IN2) – это вход для беспотенциальных контактов. В автономном варианте подключается только датчик влажности. При использовании с приложением Alpha IP через Alpha IP Access Point гнездо может использоваться также для ограничителя температуры (OT) или внешнего таймера (ECO). Homematic CCU 2 обеспечивает индивидуальную передачу управляющих воздействий на все входы и выходы.

Предоставляемые заказчиком датчики влажности предназначены для защиты от конденсата в режиме охлаждения.



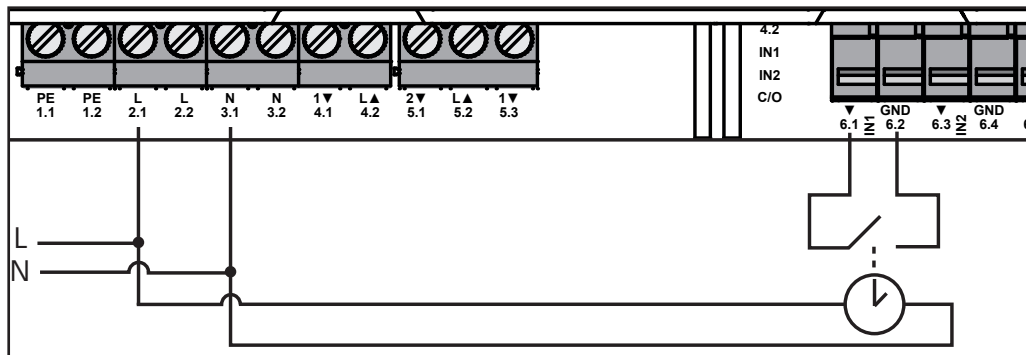
### 6.7 Подключение внешнего сигнала переключения (Change Over) (6.1/6.2)

Гнездо 6.1/6.2 (IN1) – это вход для беспотенциальных контактов. В автономном варианте подключается только сигнал переключения (Change-Over). При использовании с приложением Alpha IP через Alpha IP Access Point гнездо может использоваться также для ограничителя температуры (OT) или температуры или внешнего таймера (ECO).



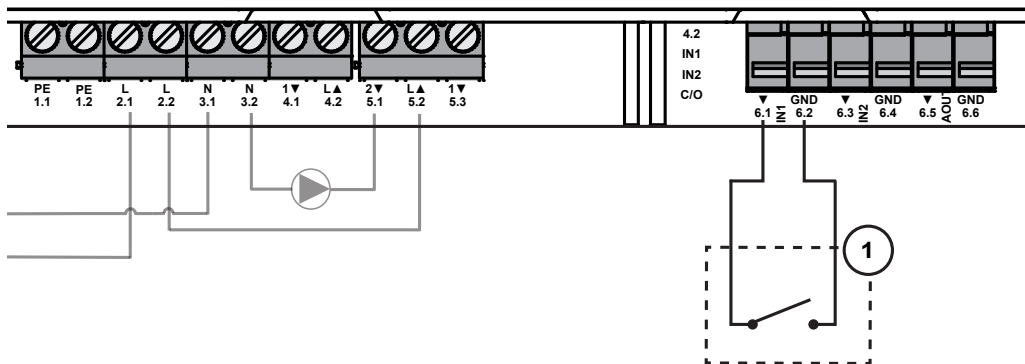
### 6.8 Подключение внешнего таймера (вариант Access Point)

В варианте Access Point можно использовать внешний таймер. Его можно подключить как к гнезду 6.1/6.2 (IN1, см. рис.), так и к гнезду 6.3/6.4 (IN2). При активации выхода таймером соответствующие параметрированные зоны отопления переключаются в режим «Ночь».



## 6.9 Подключение ограничителя температуры (вариант Access Point)

В варианте Access Point можно использовать ограничитель температуры (1). Ограничитель температуры (ОТ) можно подсоединить как к гнезду 6.1/6.2 (IN1, см. рис.), так и к гнезду 6.3/6.4 (IN2). Ограничитель температуры выключает насос при обнаружении слишком высокой температуры в линии подачи теплого пола. При включении входа ограничителя температуры базовый модуль автоматически переводит все приводы в положение «закрты».



## 7 Ввод в эксплуатацию

**i** Перед вводом в эксплуатацию полностью внимательно прочь этот раздел.


Многофункциональный блок ввода-вывода данных на выбор в качестве автономного устройства настраивается прямо на базовый модуль Alpha IP (FAL 21001/41001) или на Alpha IP Access Point (HAP 21001). Последующая конфигурация в варианте базового модуля Alpha IP осуществляется через настенный термостат Alpha IP (WTH или WTHP 61001), а в варианте Alpha IP Access Point – через приложение Alpha IP.

Устройство предварительно настроено для автономного решения.

### 7.1 Настройка без Alpha IP Access Point (автономный режим)


**i** При настройке соблюдать минимальное расстояние между устройствами 50 см.

**i** Процесс настройки можно отменить, еще раз кратко нажав кнопку настройки. При подтвержденном действии светодиод многофункционального блока ввода-вывода данных загорается красным цветом.


 В процессе интеграции в существующую систему сначала следует переключить в режим настройки базовый модуль Alpha IP, а затем – многофункциональный блок ввода-вывода данных Alpha IP.

Для автономного режима настройка многофункционального блока ввода-вывода данных Alpha IP Multi-IO Box должна осуществляться посредством базового модуля Alpha IP (FAL 21001/41001).  
Настройка устройства:

1. Еще раз нажать и удерживать нажатой кнопку Select базового модуля Alpha IP, пока светодиодные индикаторы всех зон отопления не загорятся зеленым цветом.
2. В течение 4 секунд удерживать нажатой системную кнопку базового модуля Alpha IP, пока светодиод системной кнопки быстро не замигает оранжевым цветом.
- ✓ Режим настройки активен в течение 3 минут.
3. В течение 4 секунд нажать и удерживать нажатой системную кнопку (A) многофункционального блока ввода-вывода данных, пока светодиод системной кнопки не замигает оранжевым цветом.

 Об успешно проведенной процедуре настройки свидетельствует светодиод системной кнопки зеленого цвета. Если светодиод горит красным цветом, процедуру следует повторить.


## 7.2 Настройка на Alpha IP Access Point

 Многофункциональный блок ввода-вывода данных Alpha IP с приложения можно настроить как на Alpha IP Access Point, так и на центральный контроллер Homatic CCU2.

Для управления при помощи приложения Alpha IP настройку многофункционального блока ввода-вывода данных Alpha IP нужно осуществлять через Access Point (HAP 21001). Настройка устройства:

⇒ Alpha IP Access Point было установлено посредством приложения Alpha IP (см. руководство по HAP 21001).

1. Открыть на смартфоне приложение Alpha IP.
2. Выбрать пункт меню *Настройка устройства*.
3. Кратко нажимать системную кнопку (A), пока светодиод медленно не замигает оранжевым цветом. Режим настройки активен в течение 3 минут.
- ✓ Устройство появляется автоматически в приложении Alpha IP.
4. Для подтверждения ввести последние четыре цифры номера устройства (SGTIN) или сканировать приложенный двухмерный штрихкод. Номер устройства находится под двухмерным штрихкодом или прямо на устройстве.

 Об успешно проведенном процессе настройки свидетельствует светодиод системной кнопки зеленого цвета. Если светодиод горит красным цветом, процесс следует повторить.

5. Следовать указаниям приложения.

## 8 Индикаторы

Индикация	Значение	Решение
Краткое мигание оранжевым цветом	Радиопередача/ попытка отправки/ передача данных	Дождаться завершения передачи.
Однократное длительное горение зеленым цветом	Процесс подтвержден	Можно продолжить управление.
Однократное длительное горение красным цветом	Сбой процесса	Повторите попытку.
Краткое мигание оранжевым цветом (каждые 10 с)	Активен режим настройки	Введите последние четыре цифры серийного номера устройства для подтверждения.
Однократное длительное горение красным цветом	Сбой процесса или достигнут предел продолжительности включения	Повторите попытку.
Шестикратное длительное мигание красным цветом	Устройство неисправно	Обратите внимание на индикацию в приложении или обратитесь к своему дилеру.
1-ное горение оранжевым и 1-кратное горение зеленым цветом	Индикатор тестирования	После того, как индикаторы тестирования погаснут, можно продолжить.

## 9 Очистка

Использовать для чистки сухую не смоченную растворителем мягкую ветошь.

## 10 Восстановление заводских настроек

При восстановлении заводских настроек все произведенные настройки будут утеряны.

1. В течение 4 секунд удерживать нажатой системную кнопку (A), пока она быстро не замигает оранжевым цветом.
  2. Отпустить системную кнопку.
  3. Снова в течение 4 секунд удерживать нажатой системную кнопку, пока она не загорится зеленым цветом.
  4. Снова отпустить системную кнопку.
- ✓ Заводские настройки восстановлены.
  - ✓ Устройство перезапускается.

ENG

DAN

NOR

FIN

SWE

POL

RUS

## 11 Вывод из эксплуатации



### ВНИМАНИЕ!

**Опасность поражения электрическим током многофункционального блока ввода-вывода данных!**

- Открывать устройство могут только авторизованные специалисты.
- Прежде, чем открыть устройство, следует выключить сетевое напряжение и заблокировать устройство от повторного включения.
- Отключить подаваемое постороннее напряжение и заблокировать устройство от повторного включения.

1. Отсоединить все кабели.
2. Демонтировать устройство и утилизировать его в установленном порядке.

## 12 Утилизация



Не утилизировать устройство вместе с бытовыми отходами! Согласно директиве ЕС об утилизации электрического и электронного оборудования, электроприборы следует сдавать в местные пункты приема электронного оборудования.

ENG

DAN

NOR

FIN

SWE

POL

RUS

Настоящее руководство защищено законом об авторском праве. Все права сохранены. Полное либо частичное копирование, тиражирование, сокращение или иное воспроизведение (как механическое, так и электронное) настоящего руководства без предварительного согласия производителя запрещены. © 2016

