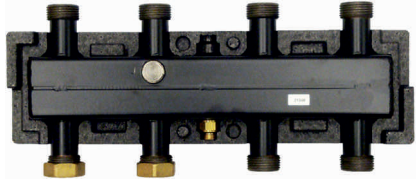


ECO 55 (2 3/4)

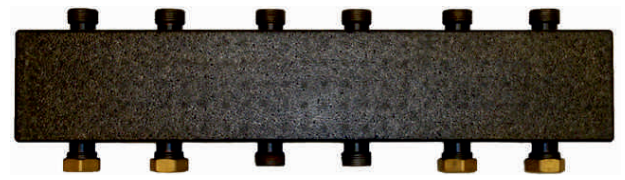
1. ECO 55
(),

3- 5- DN20.

2.



3
(.105.02.020.09)



5
(.105.03.020.09)

3. ().

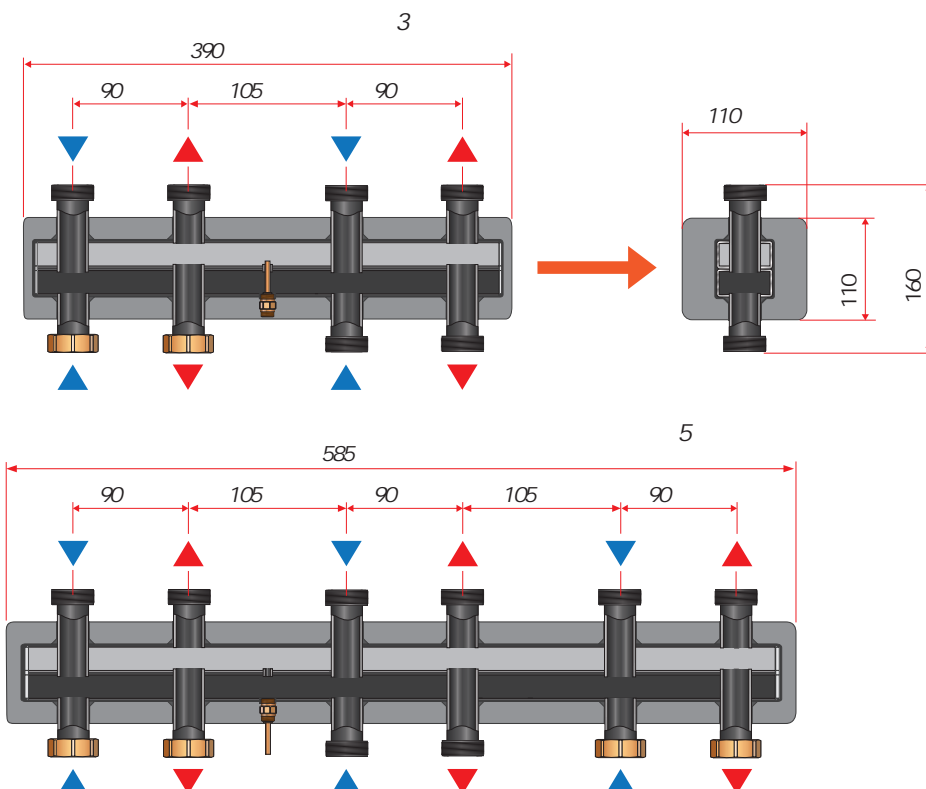
2,0 3/.

-6
-110 .

DN20

r , °	Q max,	G max, 3/
25	58,4	2,0
20	46,7	
15	35,0	
10	23,3	

4.



:
- 1".
- 1".
(.105.02.020.09),
(.105.03.020.09)

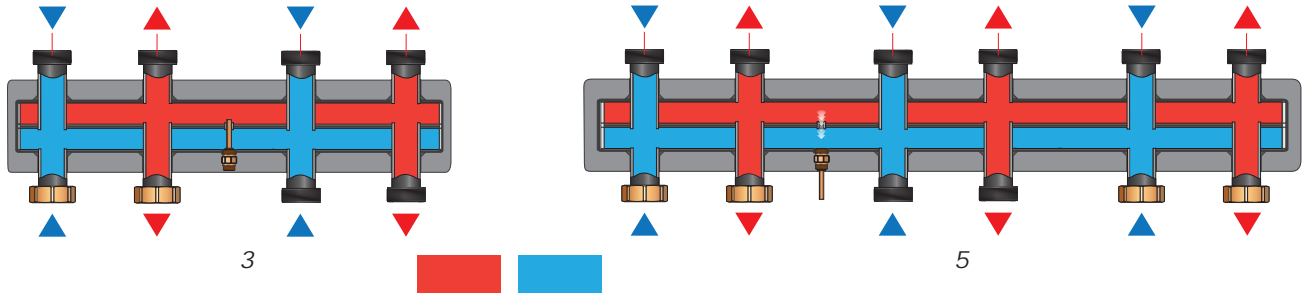
5.

ECO

() ,

(40%).

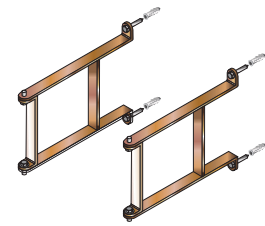
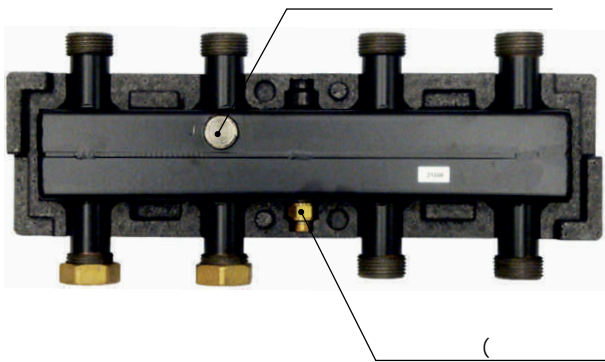
6.



7.

(1 .)

(2 .)



()

8.

() ,

(.) ,

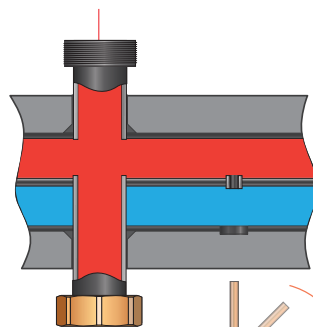
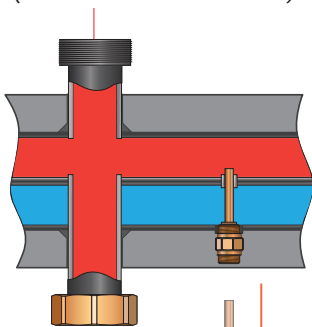
180 (.) ,

(.) ,

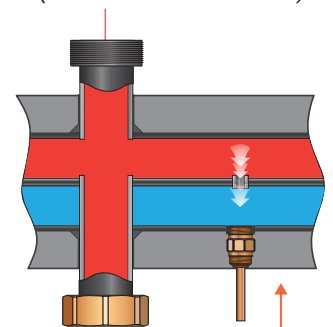
()

(" ")

(" ")



180°



9.

55

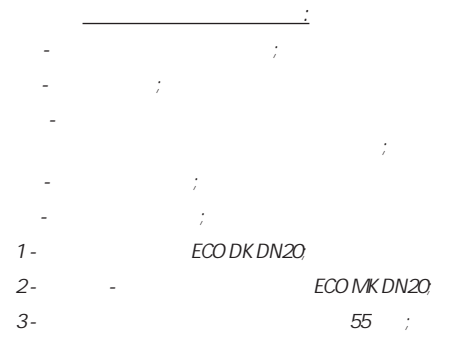
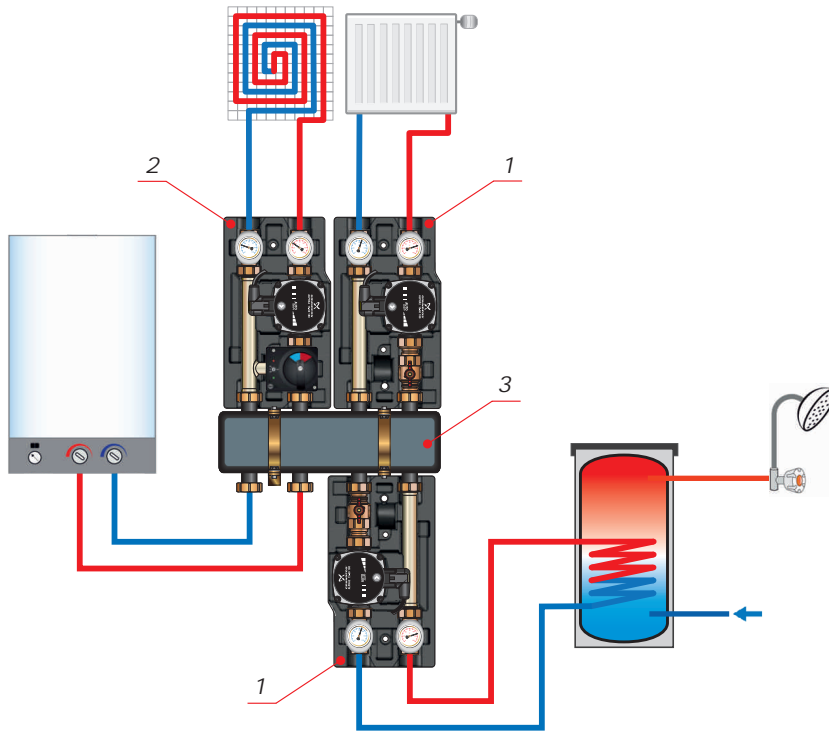
(d = 6 .)

(

3/8")

10.

DN20 55 ()



11.

DN20 55 ()

