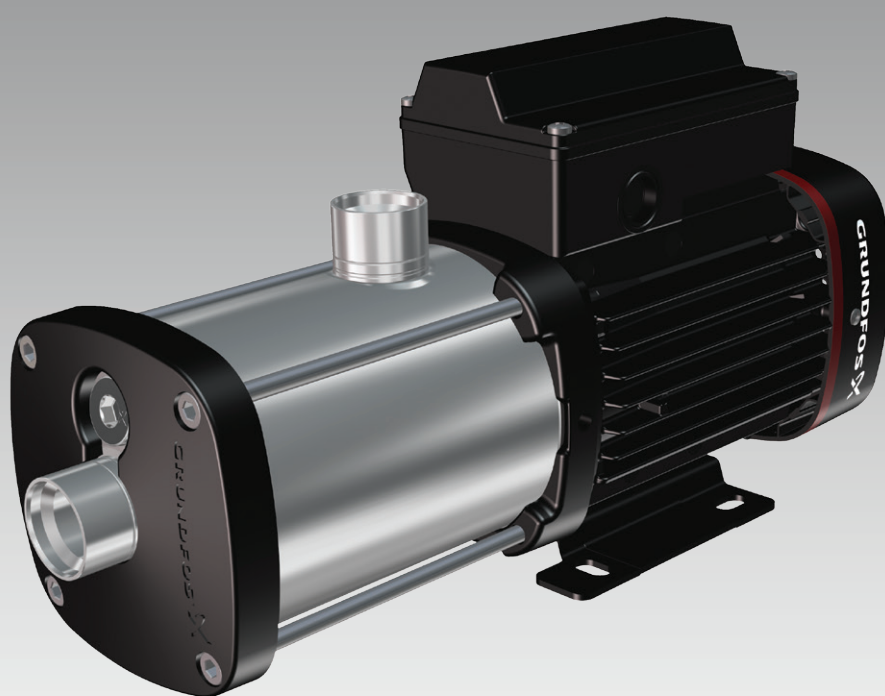


GRUNDFOS INSTRUCTIONS



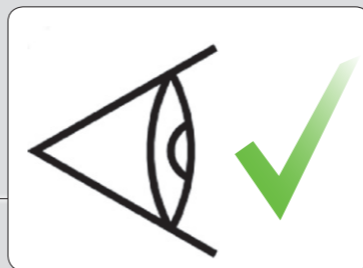
# CM

be  
think  
innovate

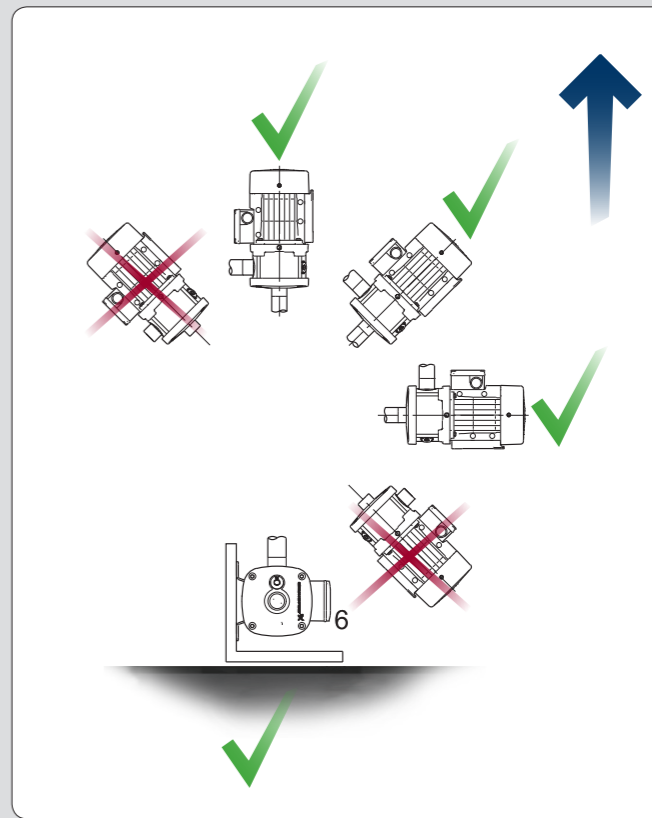
**GRUNDFOS** 



1

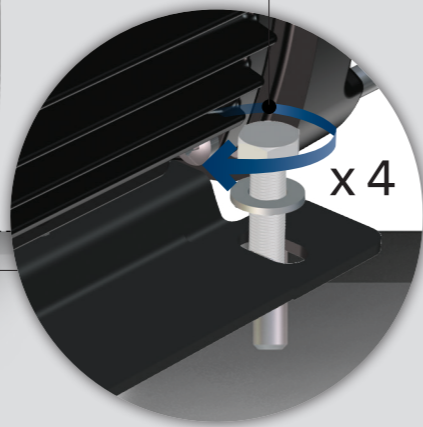
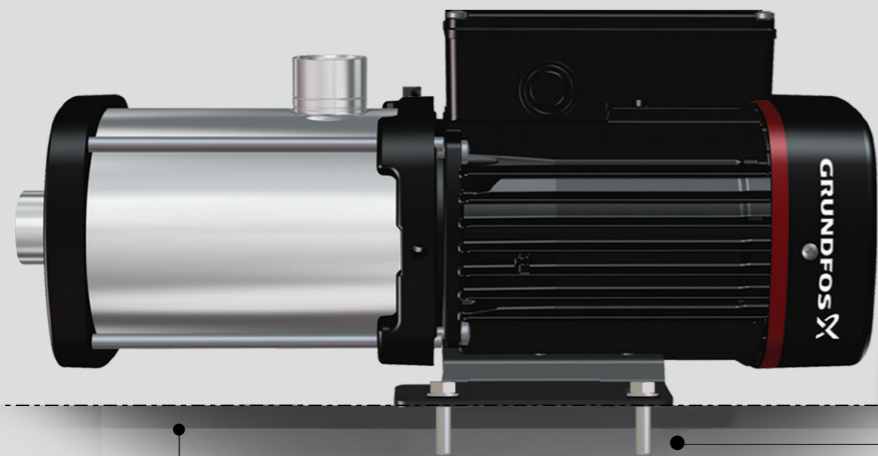


i

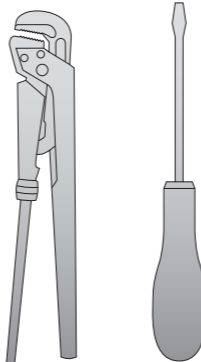




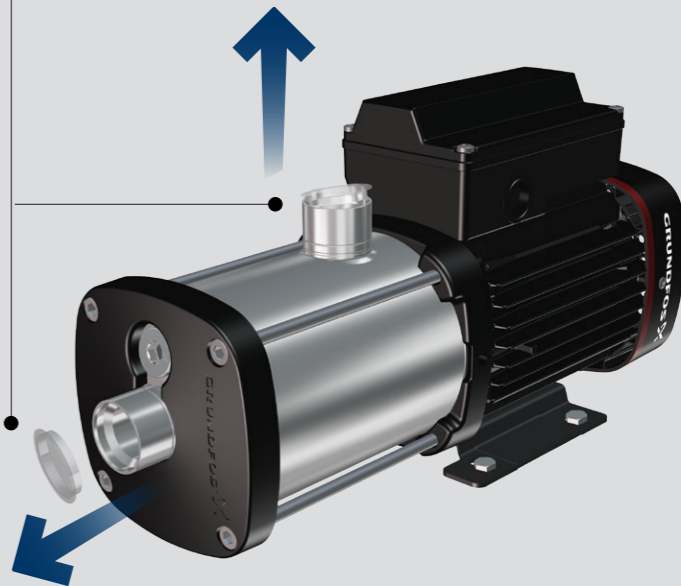
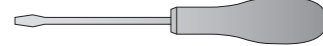
2

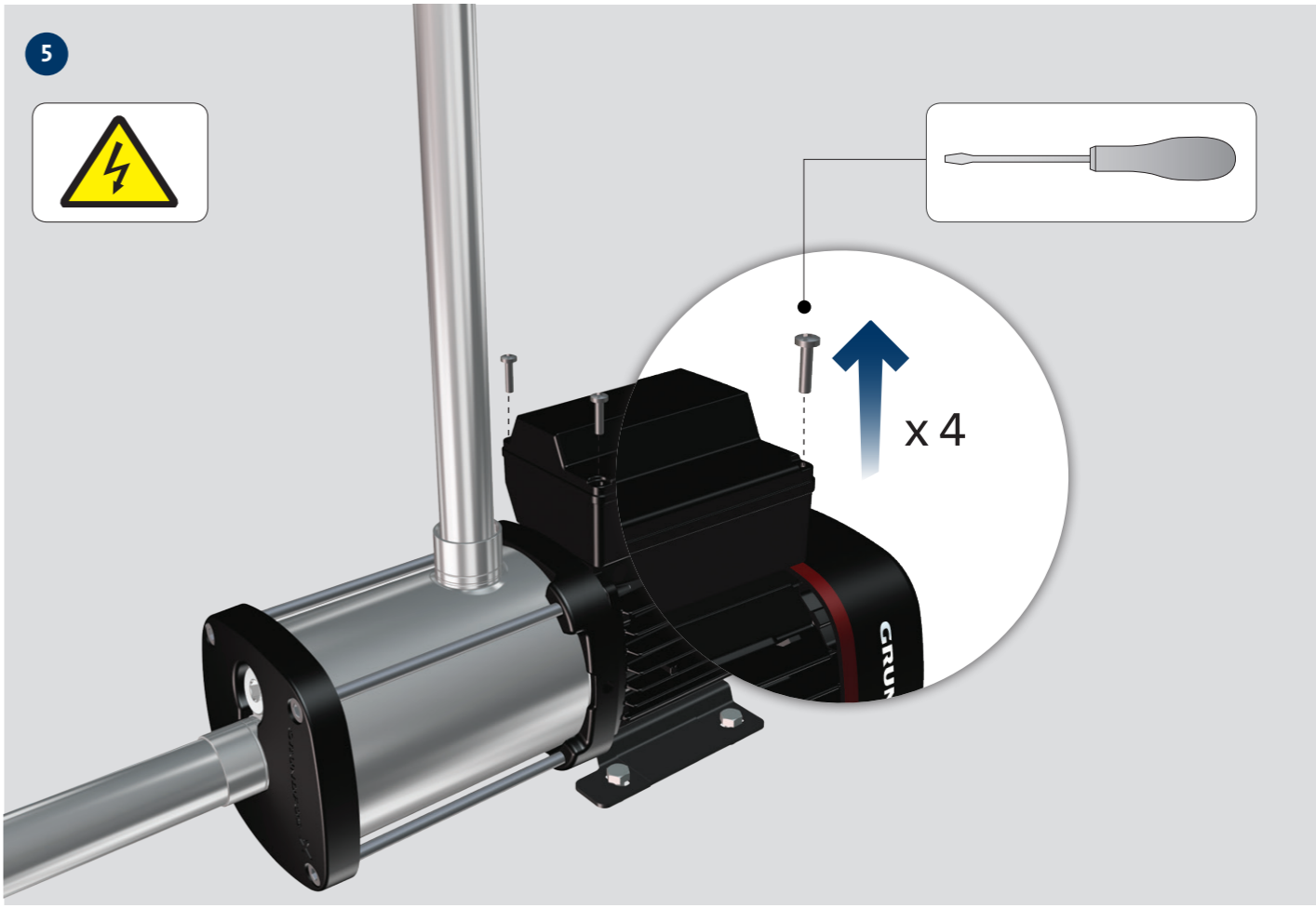
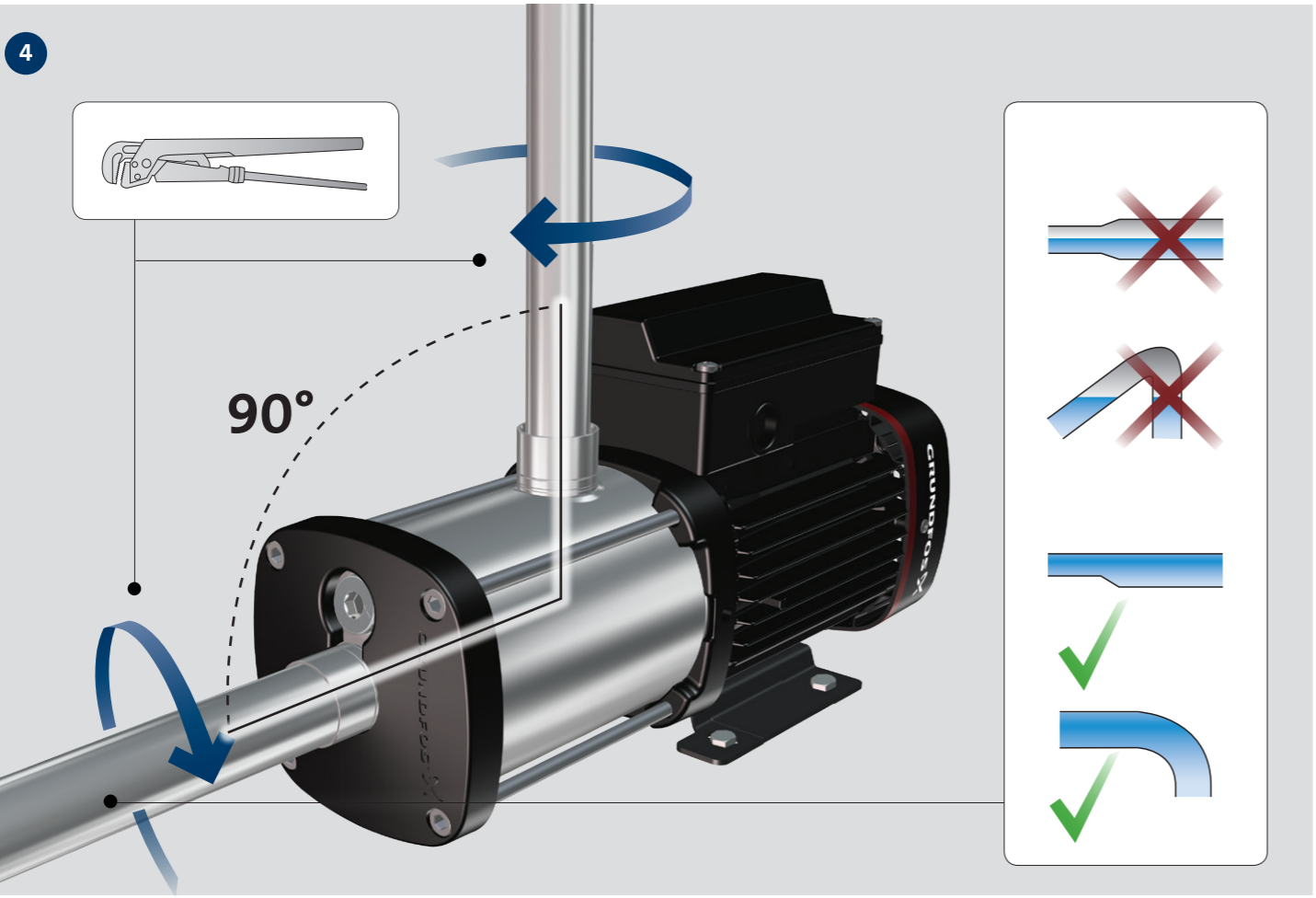


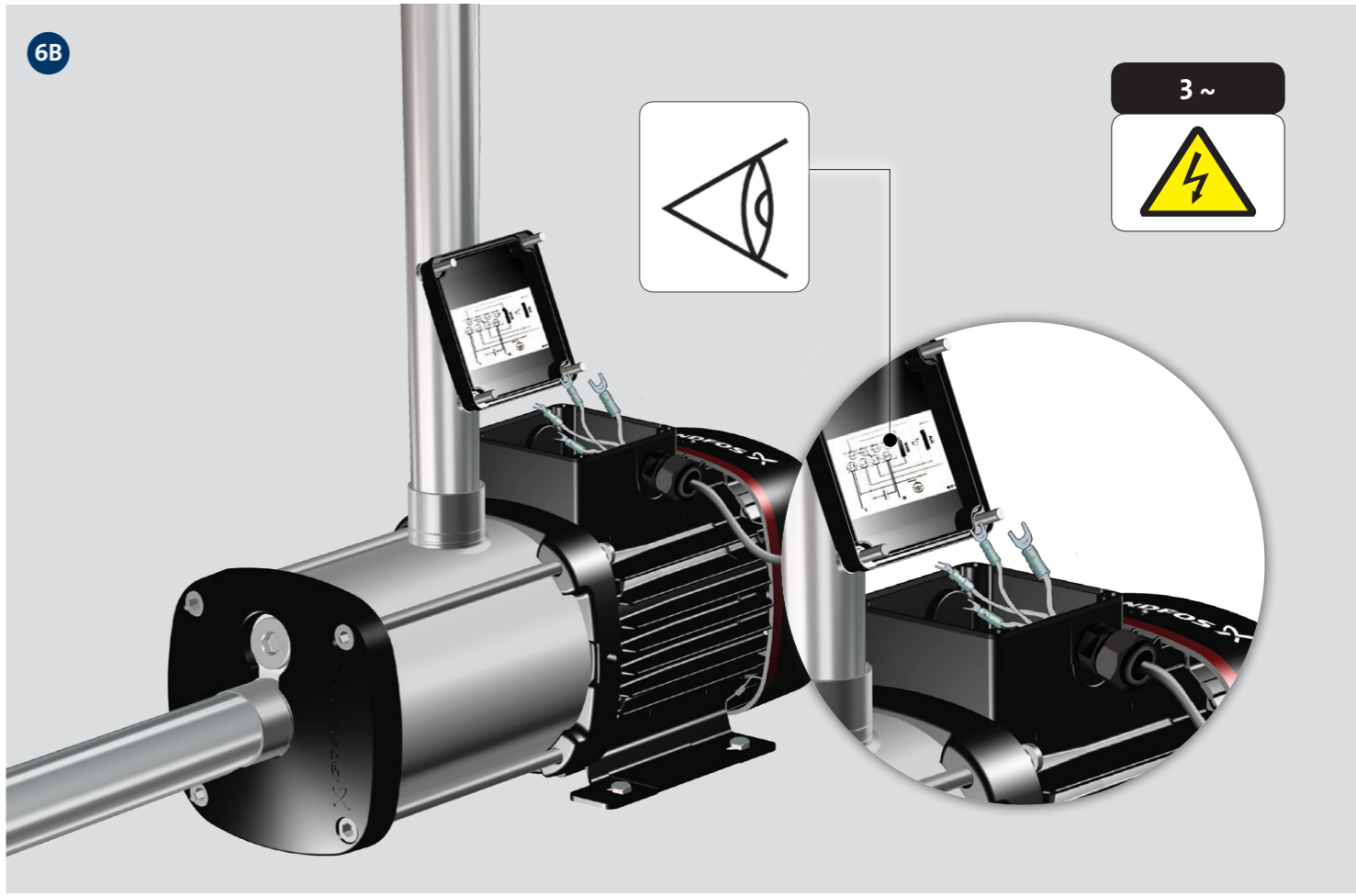
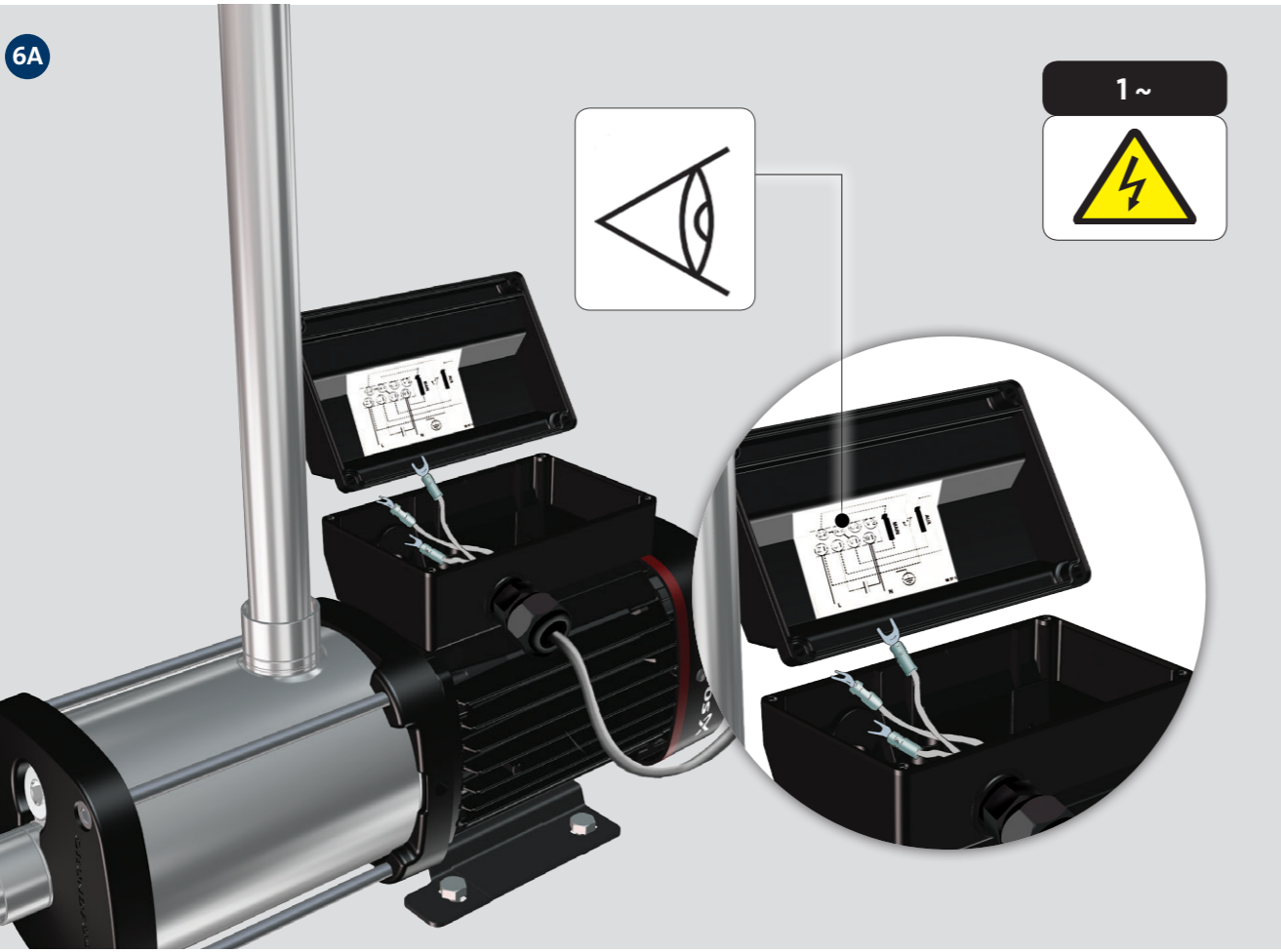
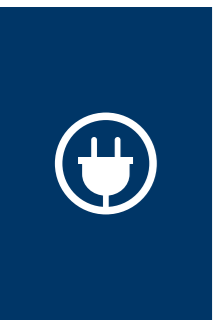
10 mm



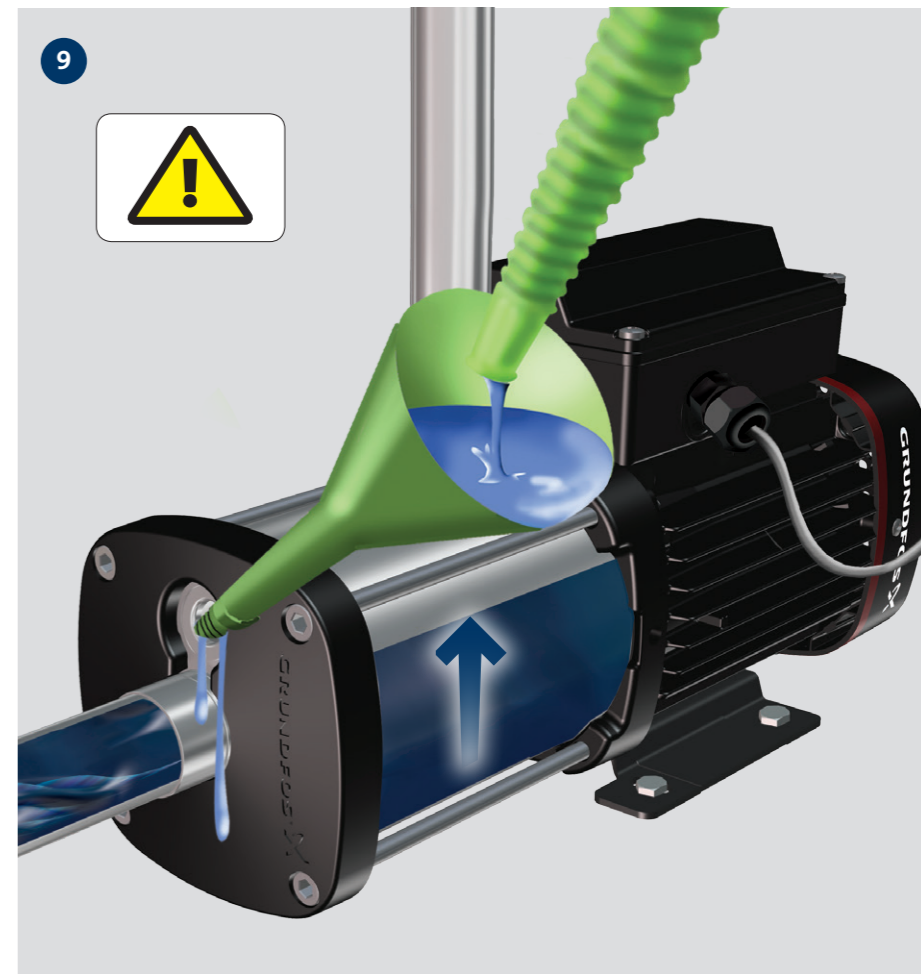
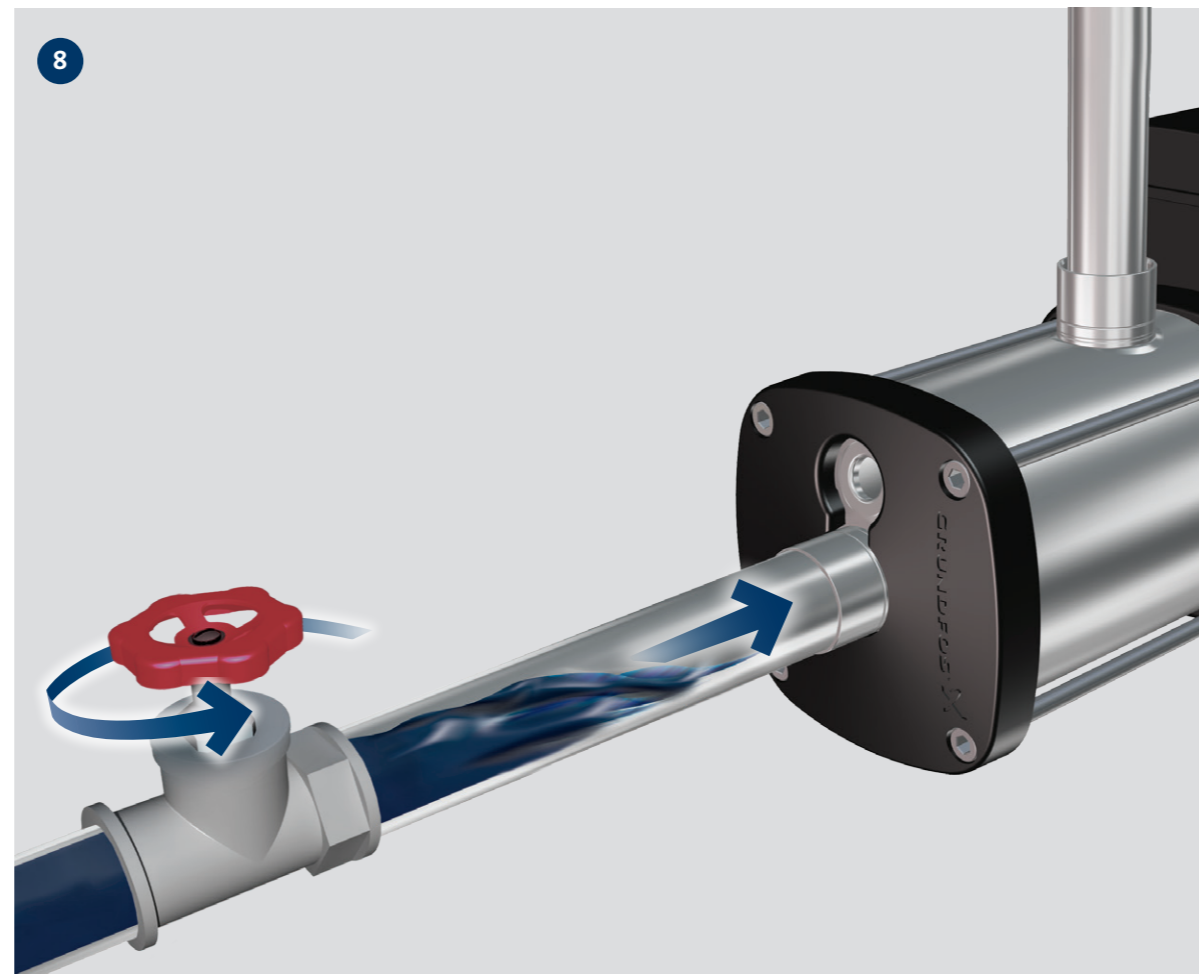
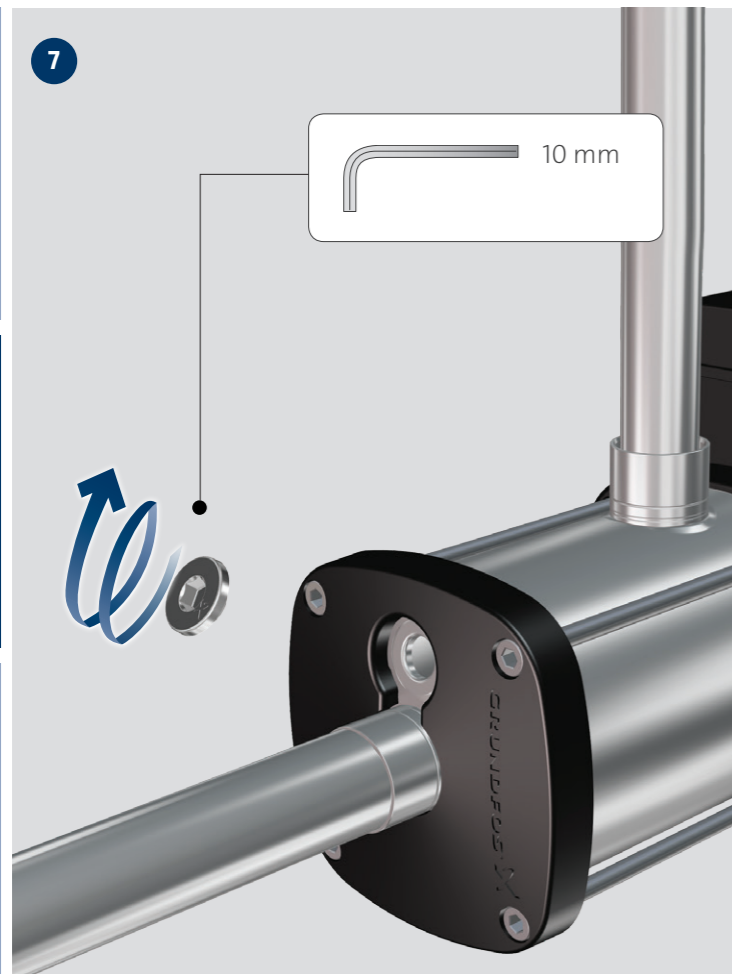
3

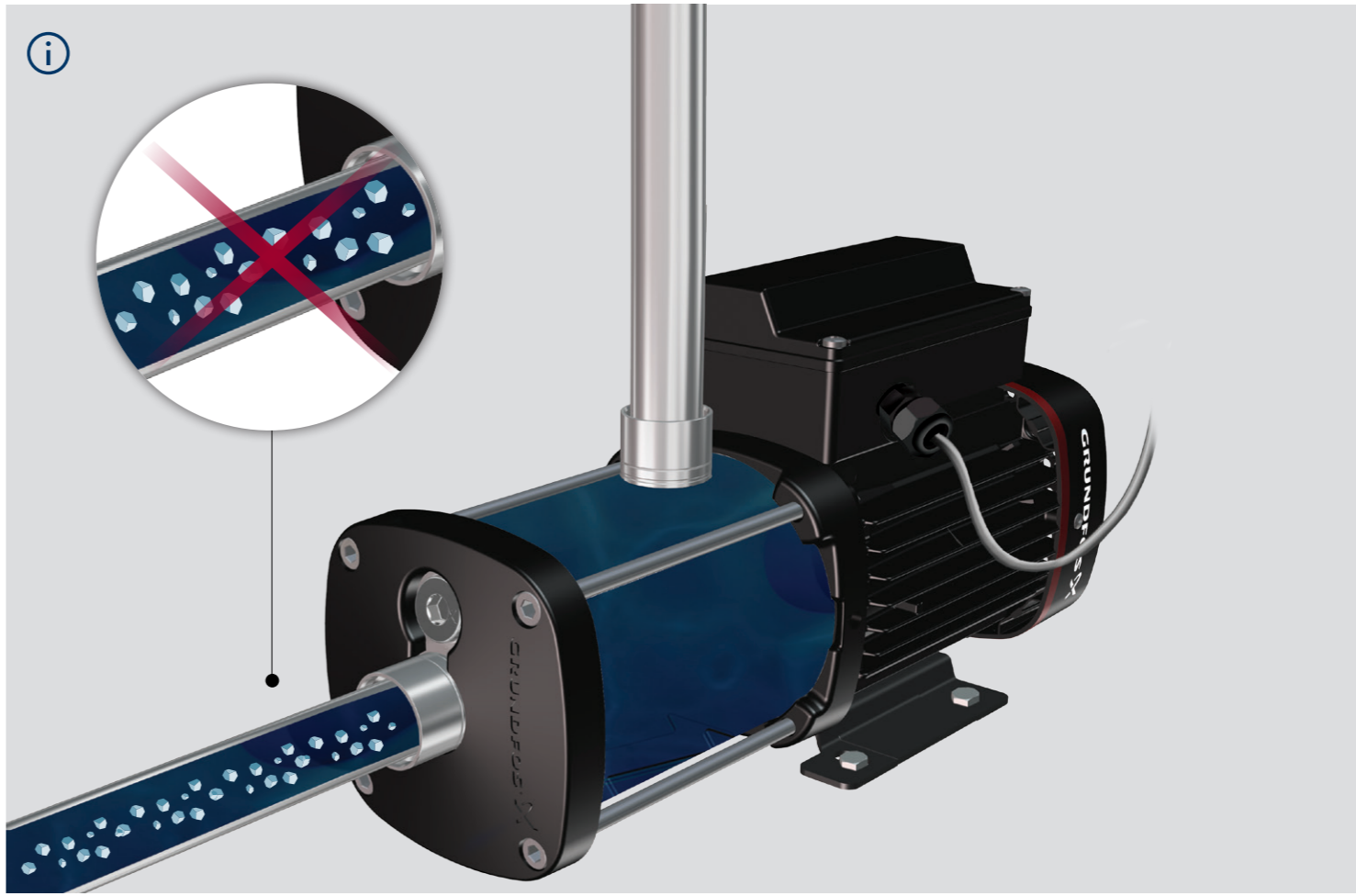
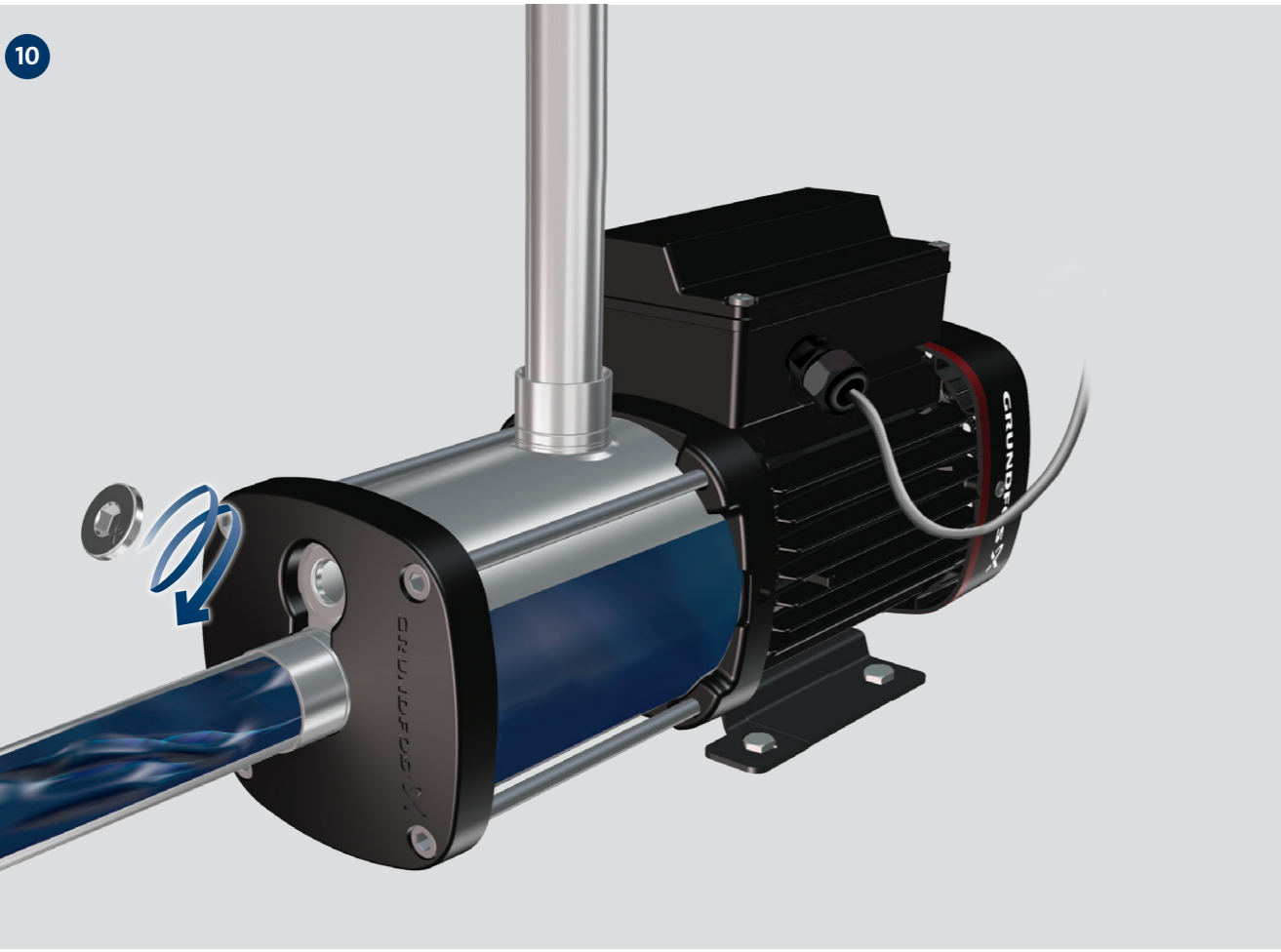
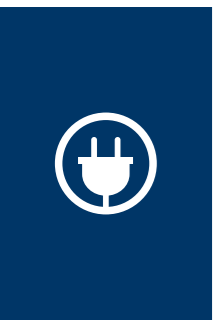






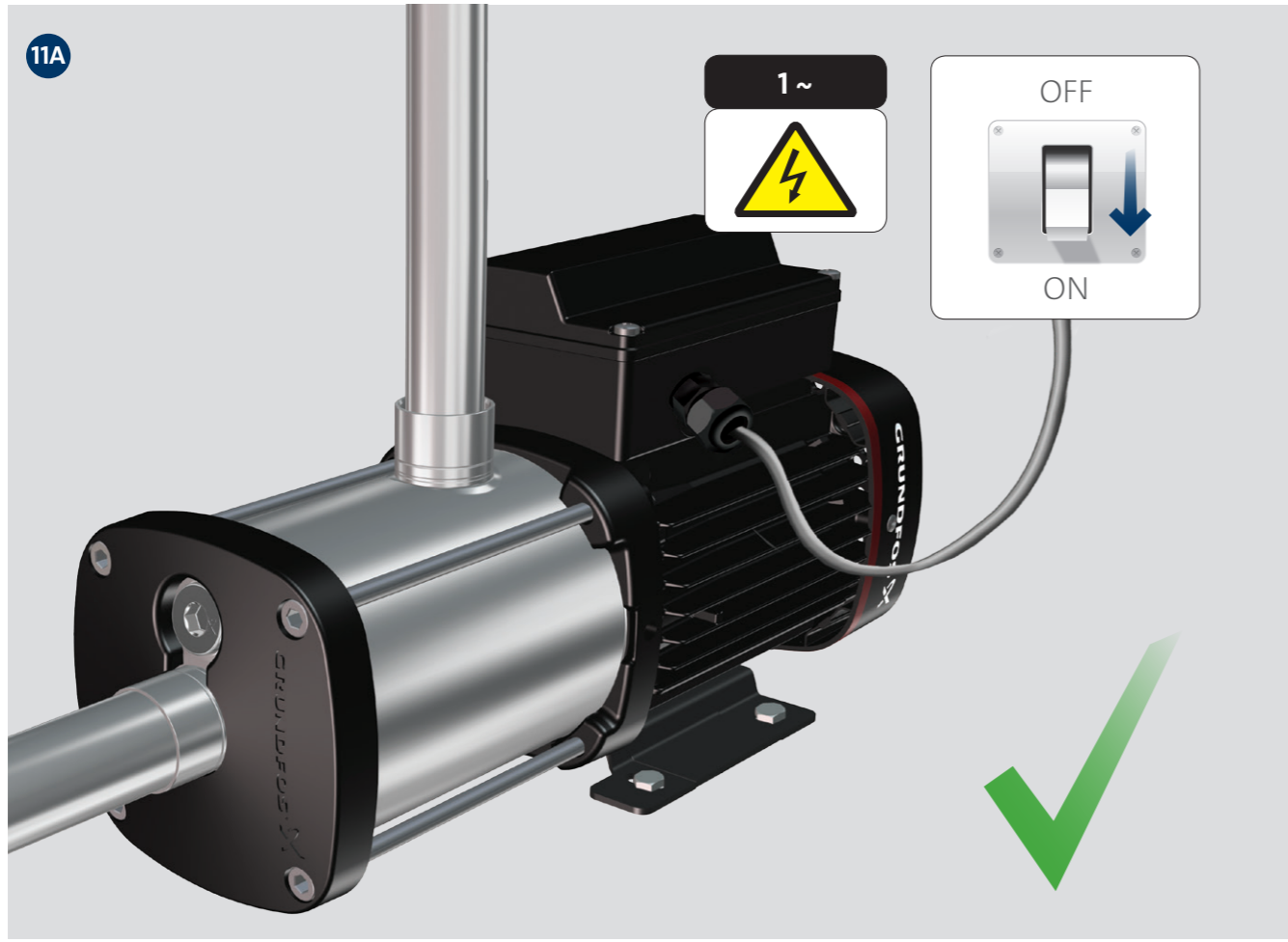








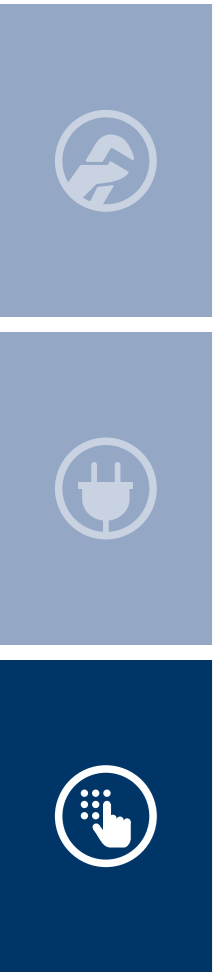
11A



11B







grundfos.com/CM-manual



---

---

---

---

---

---

---

---

---

---



---

---

---

---

---

---

---

---

---

---

---

---

---

---

---

---

---

---

---

---

be think innovate

---

95121198 1013

ECM: 1122134

**GRUNDFOS Holding A/S**  
Poul Due Jensens Vej 7  
DK-8850 Bjerringbro  
Tel: +45 87 50 14 00  
[www.grundfos.com](http://www.grundfos.com)

**GRUNDFOS** 

The name Grundfos, the Grundfos logo, and be think innovate are registered trademarks owned by Grundfos Holding A/S or Grundfos A/S, Denmark. All rights reserved worldwide.