

**SPLIT TYPE
AIR CONDITIONER**

CASSETTE type (50Hz)

SERVICE MANUAL

Models	Indoor unit	Outdoor unit
	AUY30ALB-W	AOY30ABKL
	AUY30RLB-W	AOY30RBJL

CONTENTS

SPECIFICATIONS.....	1
DIMENSIONS.....	2
CIRCUIT DIAGRAM.....	3
REFRIGERANT SYSTEM DIAGRAM.....	5
INDOOR P. C. BOARD LAYOUTS.....	8
DISASSEMBLY ILLUSTRATION.....	13
PARTS LIST.....	23

S P E C I F I C A T I O N S

TYPE		COOLING	COOLING & HEATING
INDOOR UNIT		AUY30ALB-W	AUY30RLB-W
OUTDOOR UNIT		AOY30ABKL	AOY30RBJL
COOLING CAPACITY	kW	8.6 - 8.8	8.6 - 8.8
HEATING CAPACITY	kW	—	8.8 - 9.1

POWER SOURCE	V	220 - 240	220 - 240
	ϕ / Hz	1 / 50	1 / 50
RUNNING CURRENT (A)	COOL	15.8 - 16.3	16.0 - 16.5
	HEAT	—	14.1 - 14.6
INPUT WATTS (kW)	COOL	3.30 - 3.40	3.35 - 3.45
	HEAT	—	2.90 - 3.00
EER (kW/kW)	COOL	2.61 - 2.59	2.57 - 2.55
	HEAT	—	3.03 - 3.03
STARTING CURRENT (A)		80	80
MOISTURE REMOVAL (ℓ / hr)		4	4

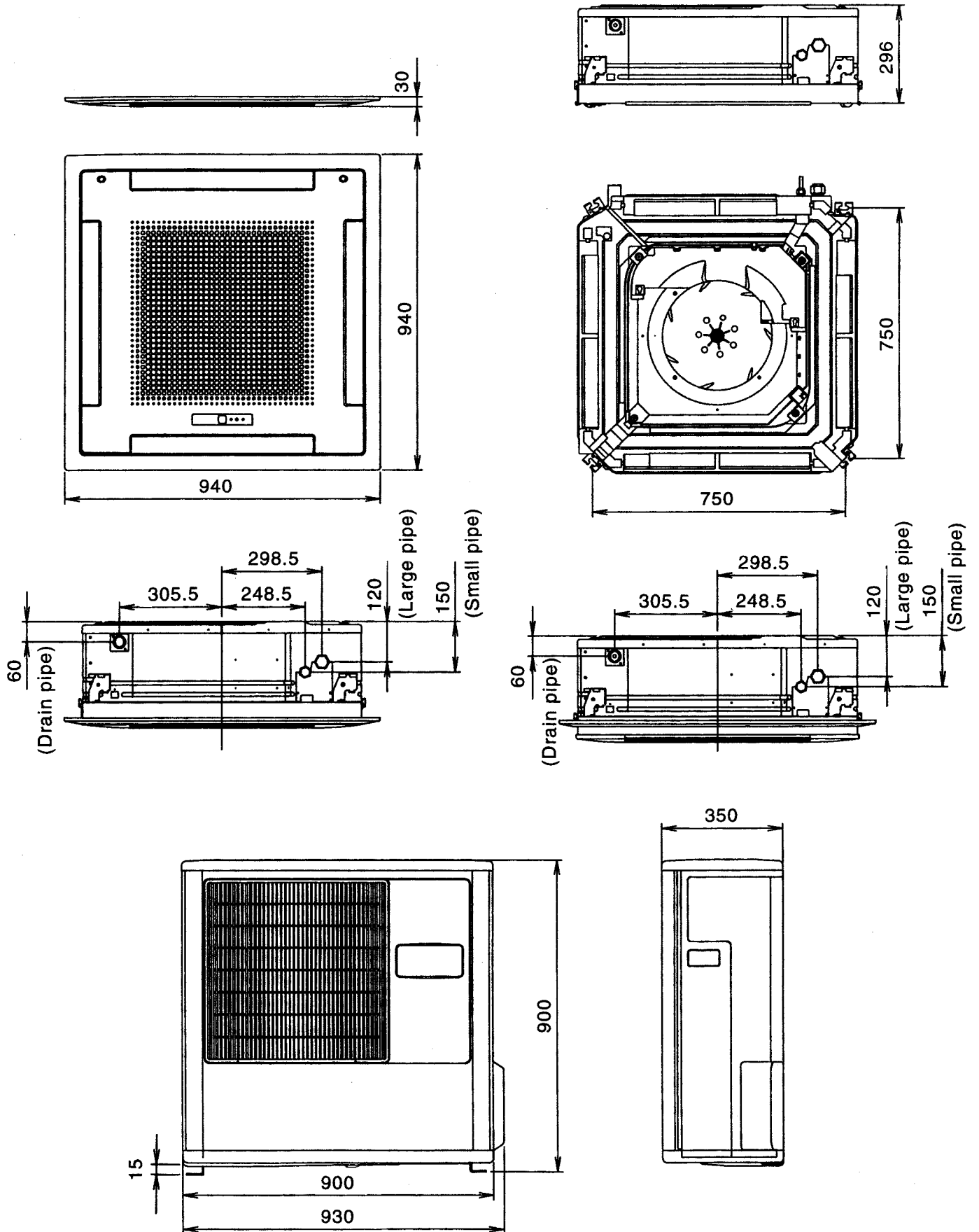
FAN SPEED (r.p.m.)	INDOOR	HIGH	500	
		MED	430	
		LOW	360	
	OUTDOOR		730	760
AIR FLOW	INDOOR	m^3 / hr	1,300	
	OUTDOOR	m^3 / hr	3,320	3,450
DIMENSTIONS H x W x D (mm)	IN	296 x 830 x 830		
	GRILLE	35 x 940 x 940		
	OUT	900 x 900 x 350		
WEIGHT (NET/GROSS) (kg)	IN	40 / 47		
	OUT	85 / 96	85 / 97	
MAX PIPE LENGTH/HEIGHT	m	30 / 15		
REMOTE CONTROLLER TYPE		WIRED		

ADDITIONAL REFRIGERANT CHARGE

PIPE LENGTH		5m (16ft)	10m (33ft)	20m (66ft)	25m (82ft)	30m (99ft)	Additional refrigerant
FULL CHARGE AMOUNT	AUY30A	2,350g (82.9oz)	2,435g (85.9oz)	2,605g (91.9oz)	2,690g (94.9oz)	2,775g (97.9oz)	17g/m (0.6oz)
	AUY30R	2,850g (100.5oz)	3,100g (109.3oz)	3,600g (127oz)	3,850g (135.8oz)	4,100g (144.6oz)	50g/m(1.76oz)

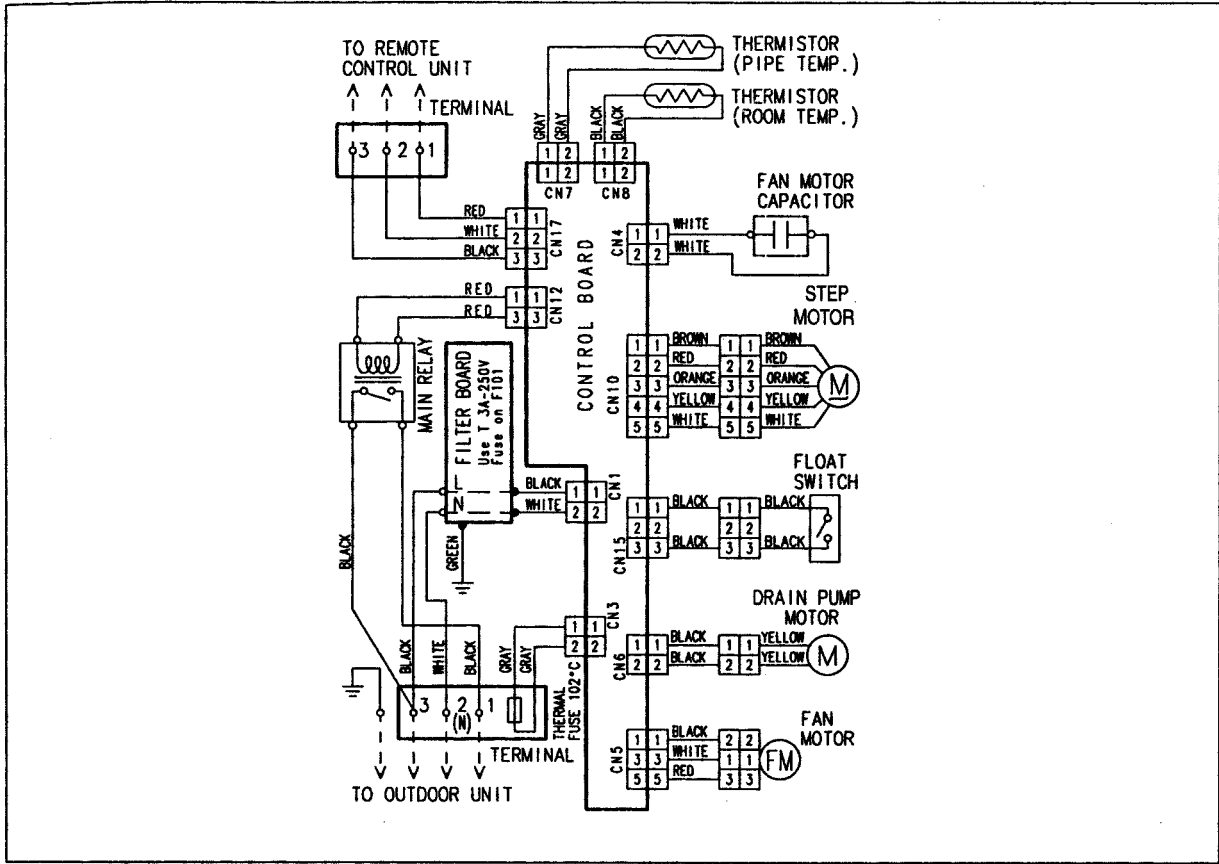
OUTLINE AND DIMENSIONS

(Unit : mm)

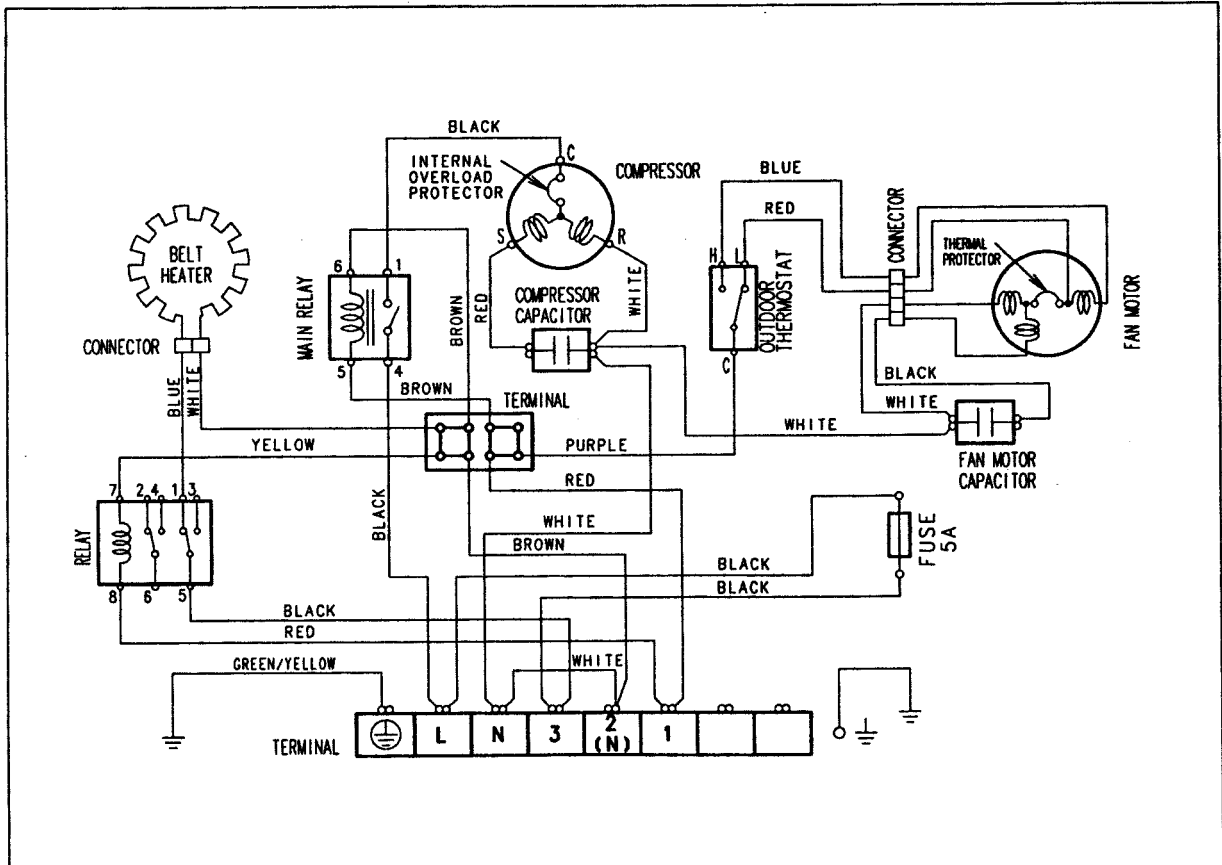


CIRCUIT DIAGRAM

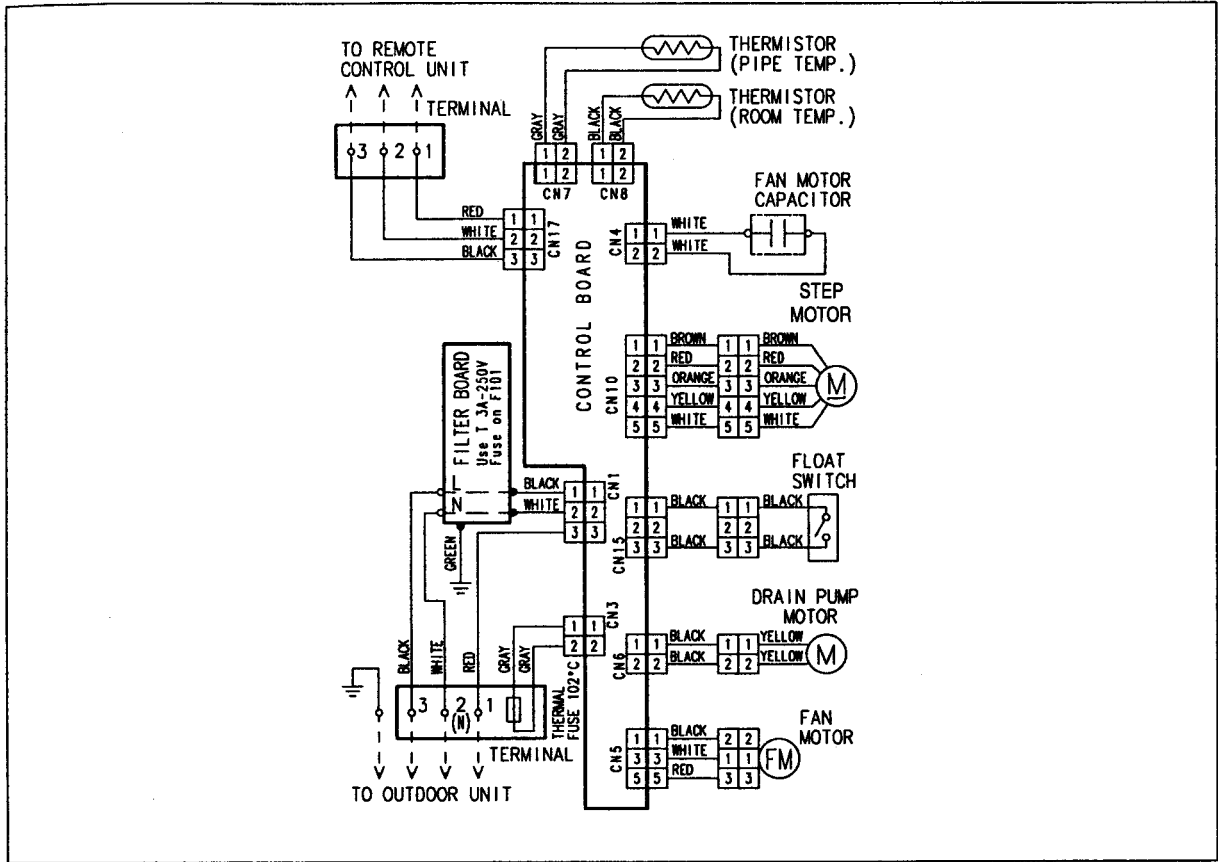
Model : AUY30ALB-W



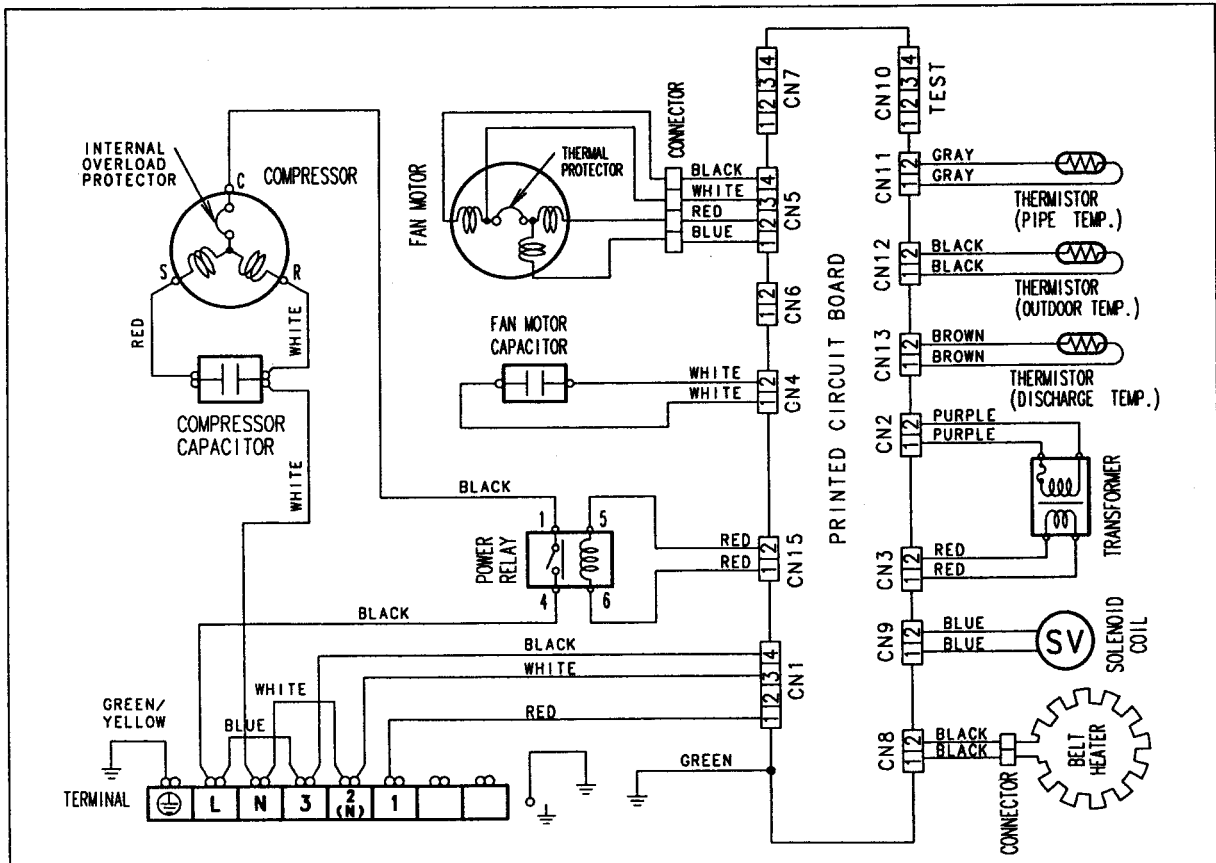
Model : AOY30ABKL



Model : AUY30RLB-W

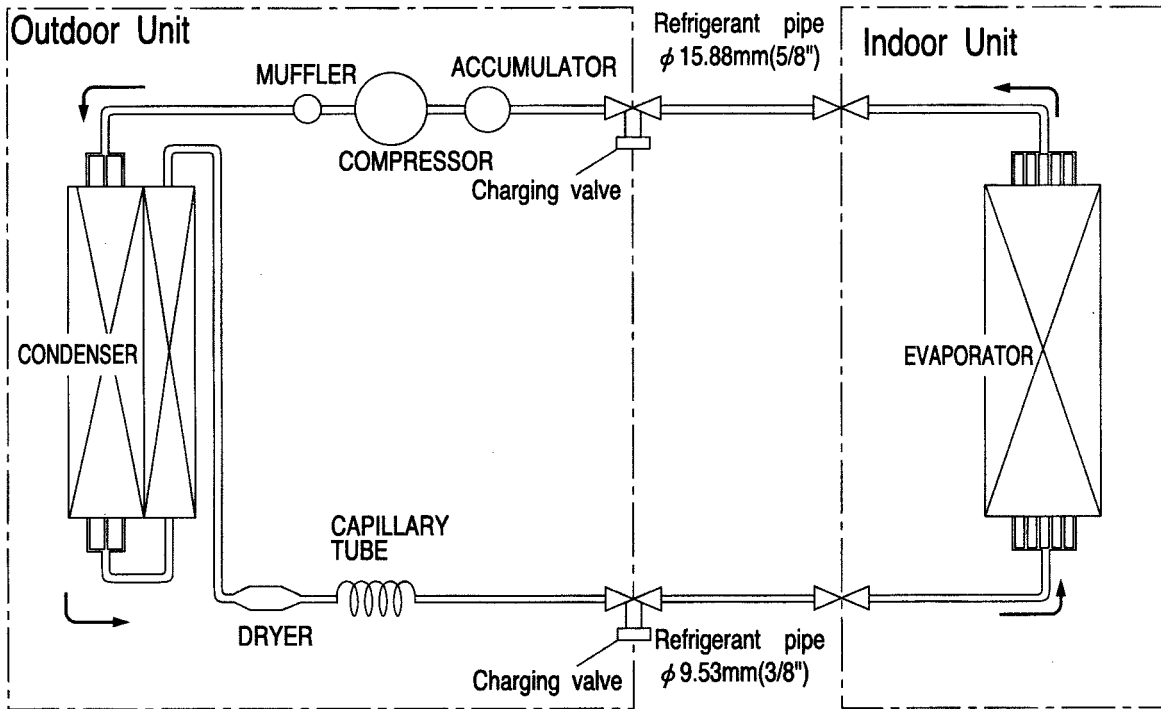


Model : AOY30RBJL

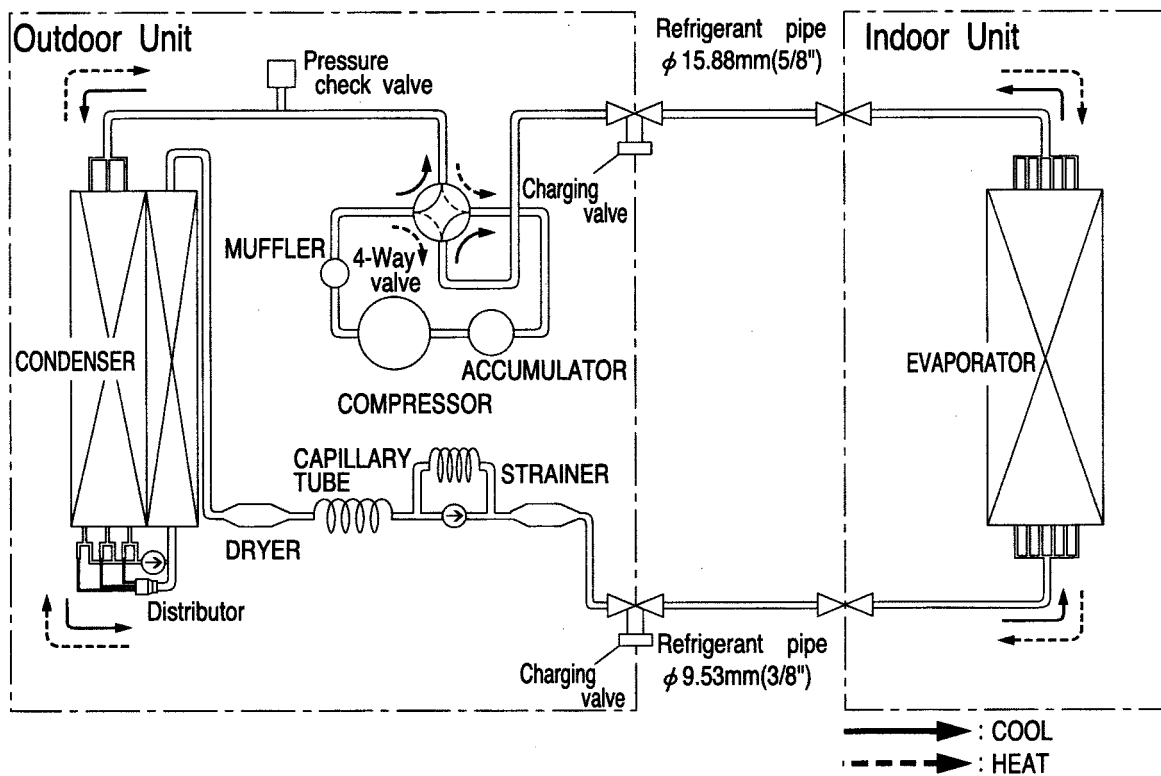


REFRIGERANT SYSTEM DIAGRAM

Models : AUY30ALB-W / AOY30ABKL

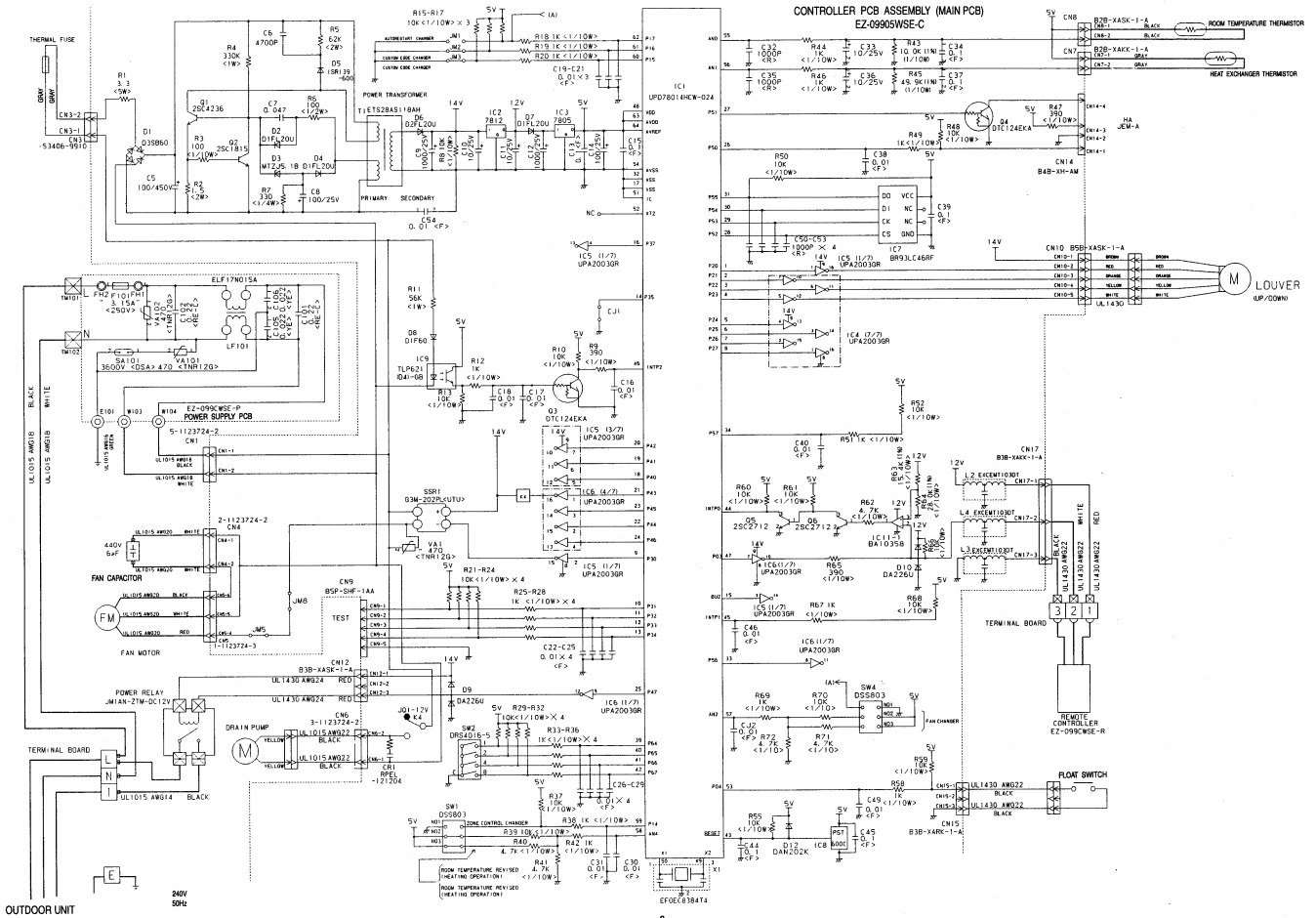


Models : AUY30RLB-W / AOY30RBJL

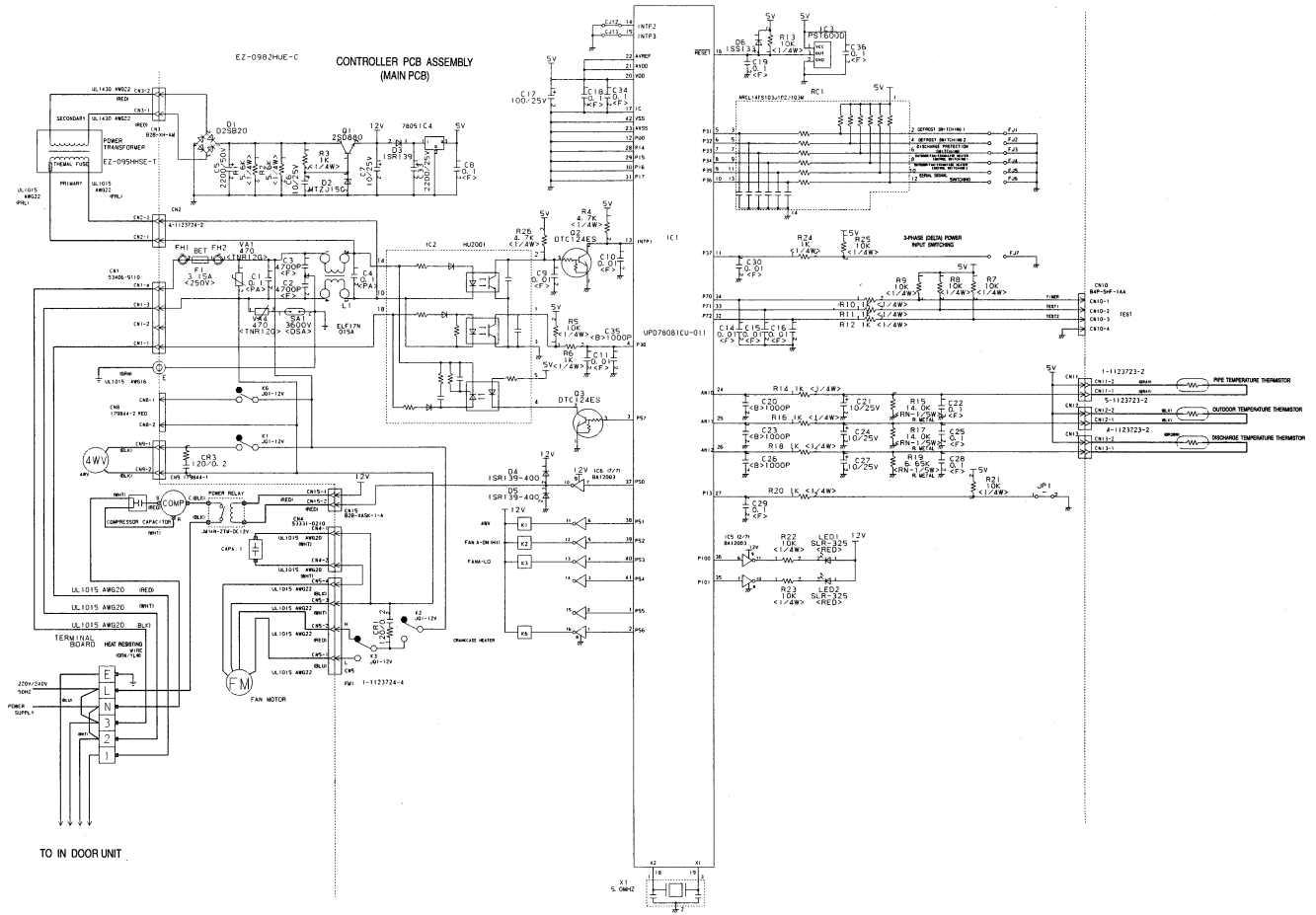


INDOOR PRINTED CIRCUIT BOARD CIRCUIT DIAGRAM

Model : AUYS0ALB-W



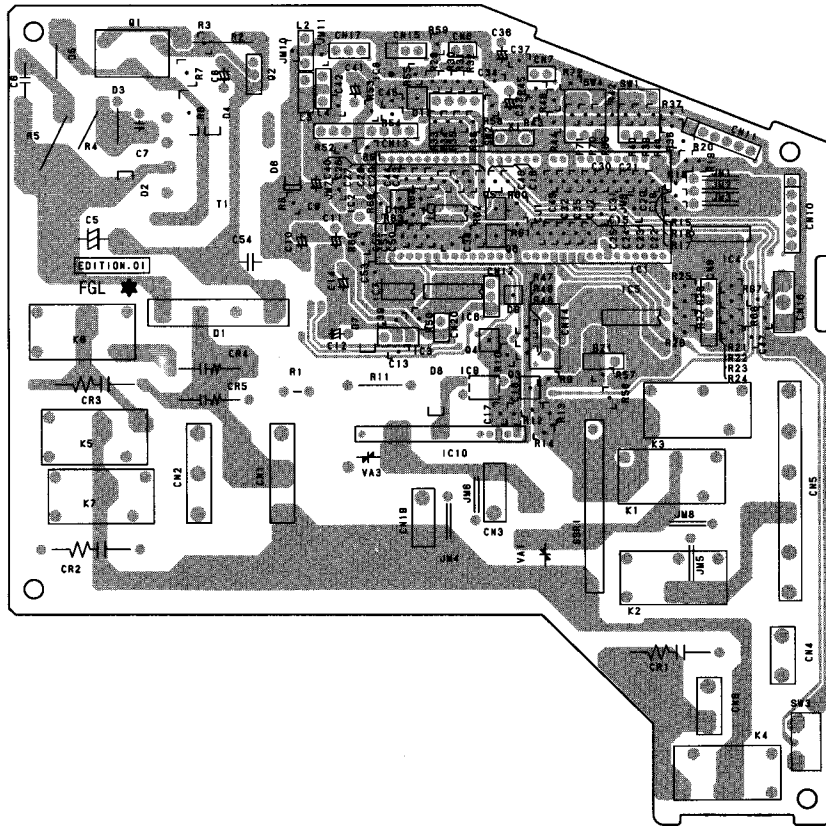
Model : AUY30RLB-W



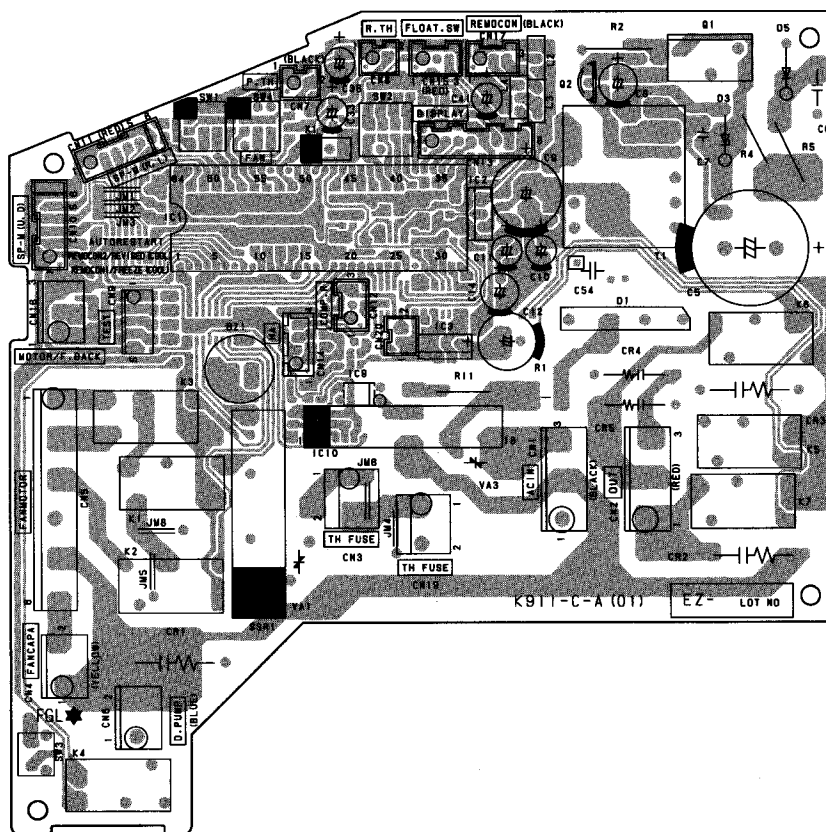
INDOOR P. C. BOARD LAYOUTS

CONTROLLER PCB ASSEMBLY (MAIN PCB)

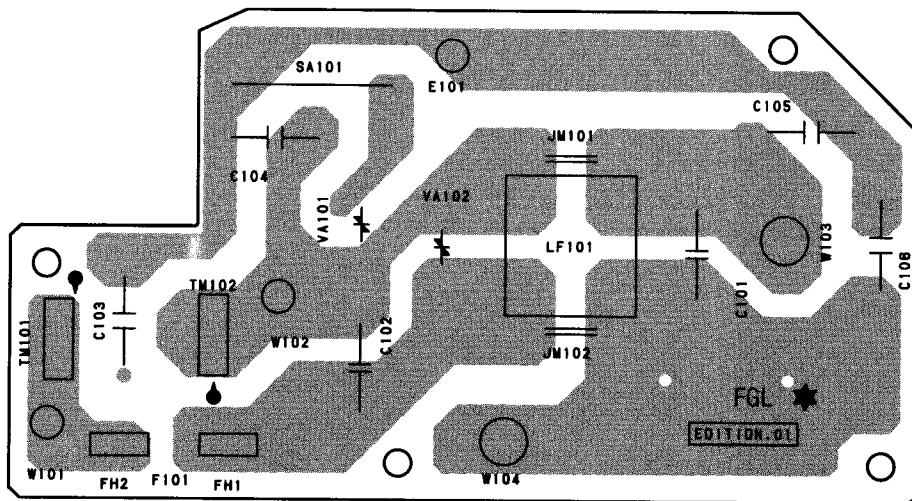
(Viewed from the solder side)



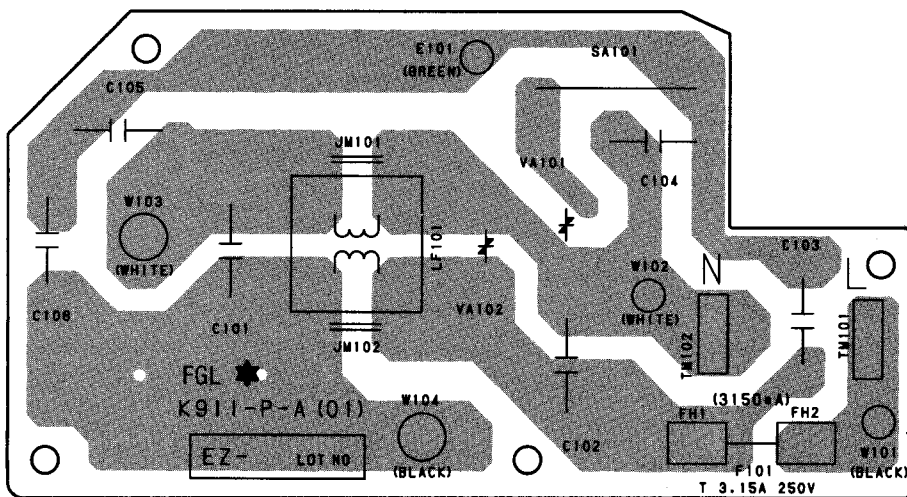
(Viewed from the component side)

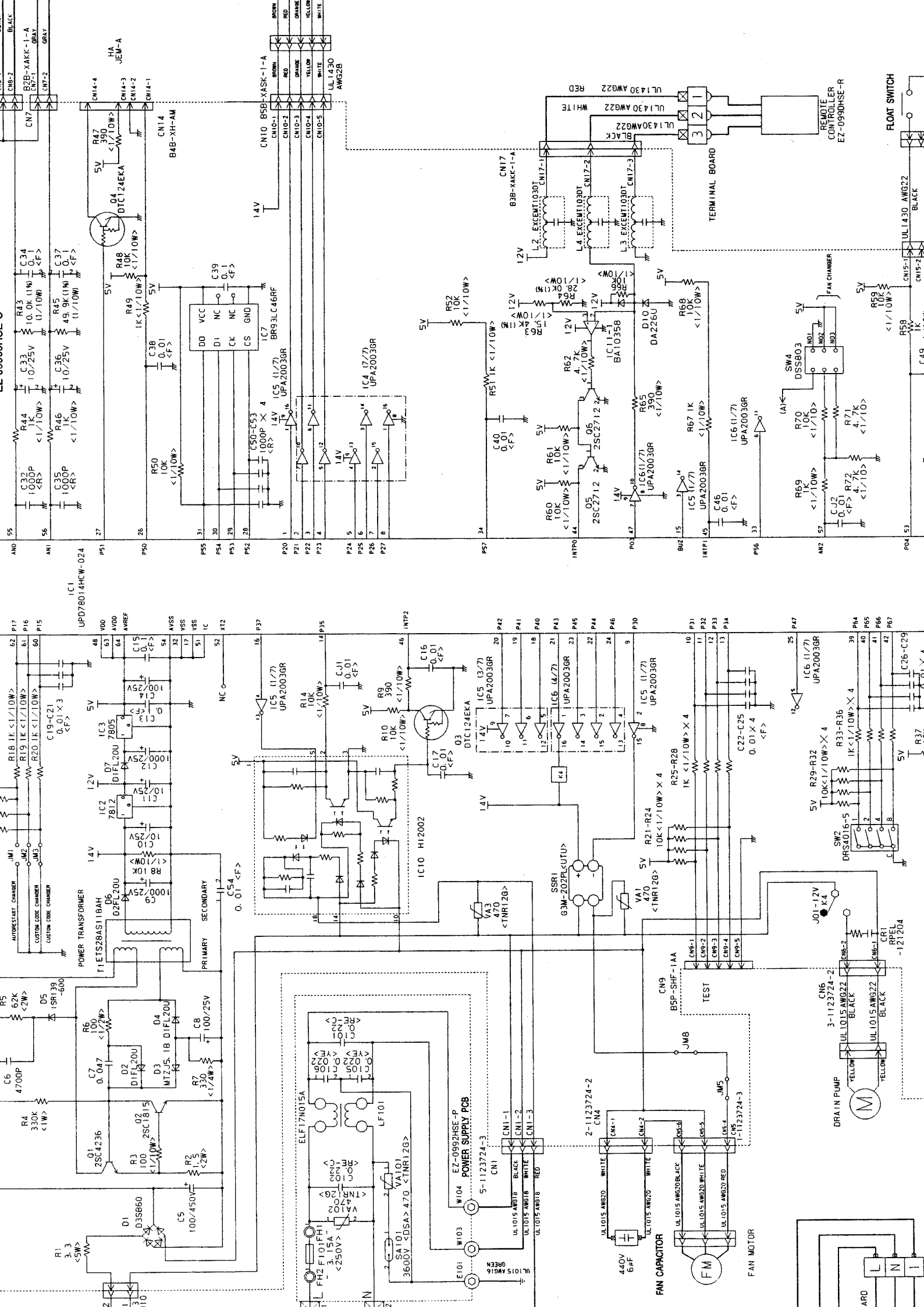


FILTER PCB ASSEMBLY
(Viewed from the solder side)



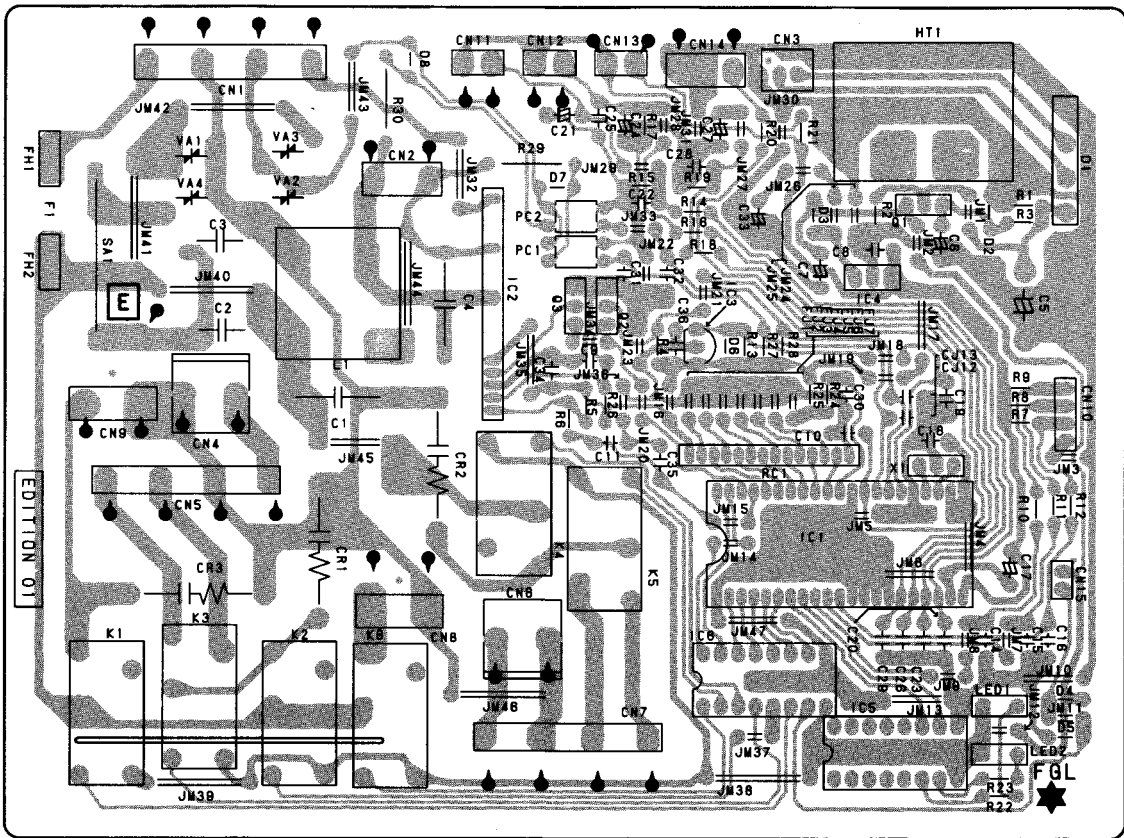
(Viewed from the component side)



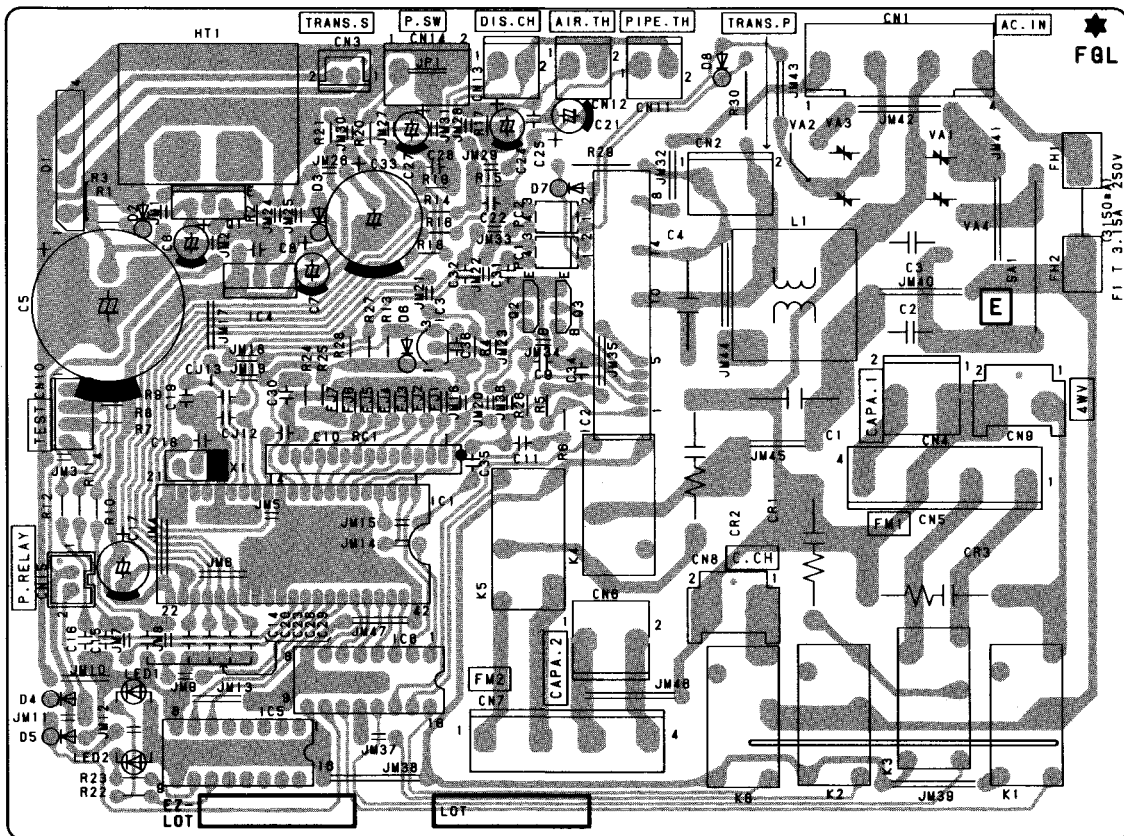


OUTDOOR P. C. BOARD LAYOUTS

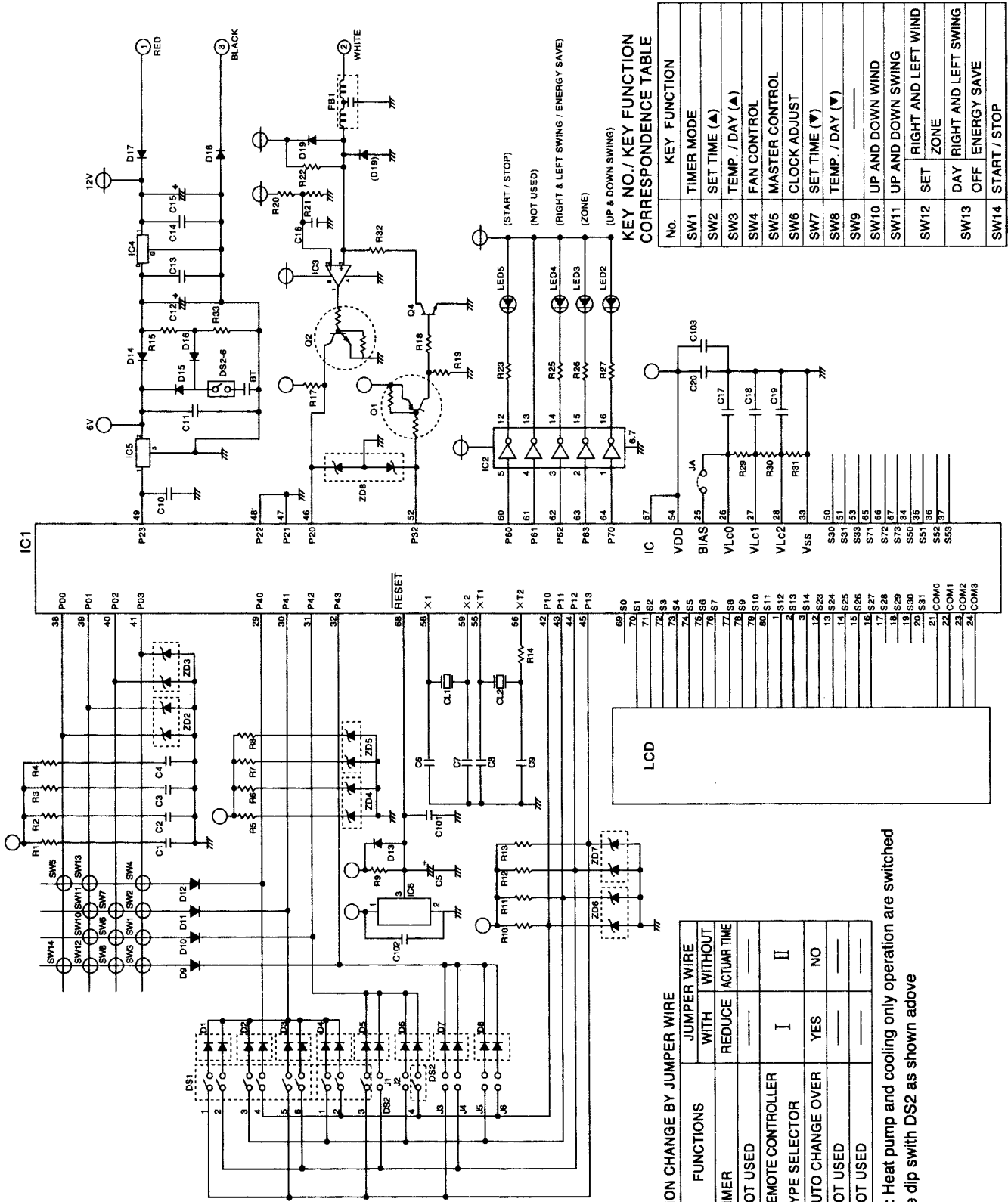
(Viewed from the solder side)



(Viewed from the component side)



REMOTE CONTROL UNIT CIRCUIT DIAGRAM



KEY NO. / KEY FUNCTION CORRESPONDENCE TABLE

No.	KEY FUNCTION
SW1	TIMER MODE
SW2	SET TIME (▲)
SW3	TEMP. / DAY (▲)
SW4	FAN CONTROL
SW5	MASTER CONTROL
SW6	CLOCK ADJUST
SW7	SET TIME (▼)
SW8	TEMP. / DAY (▼)
SW9	—
SW10	UP AND DOWN WIND
SW11	UP AND DOWN SWING
SW12	SET ZONE
SW13	DAY OFF
SW14	RIGHT AND LEFT SWING ENERGY SAVE

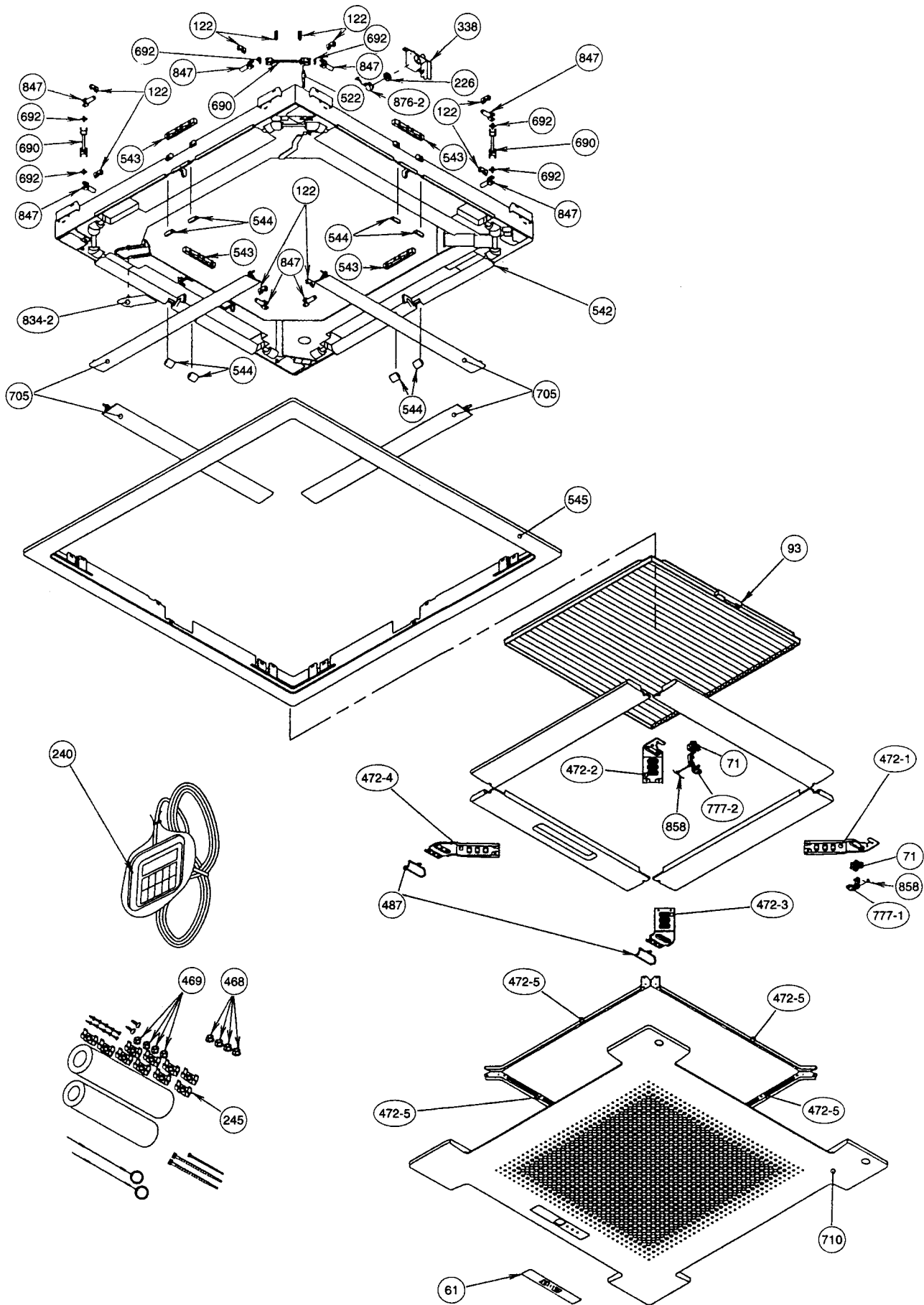
FUNCTION CHANGE BY JUMPER WIRE

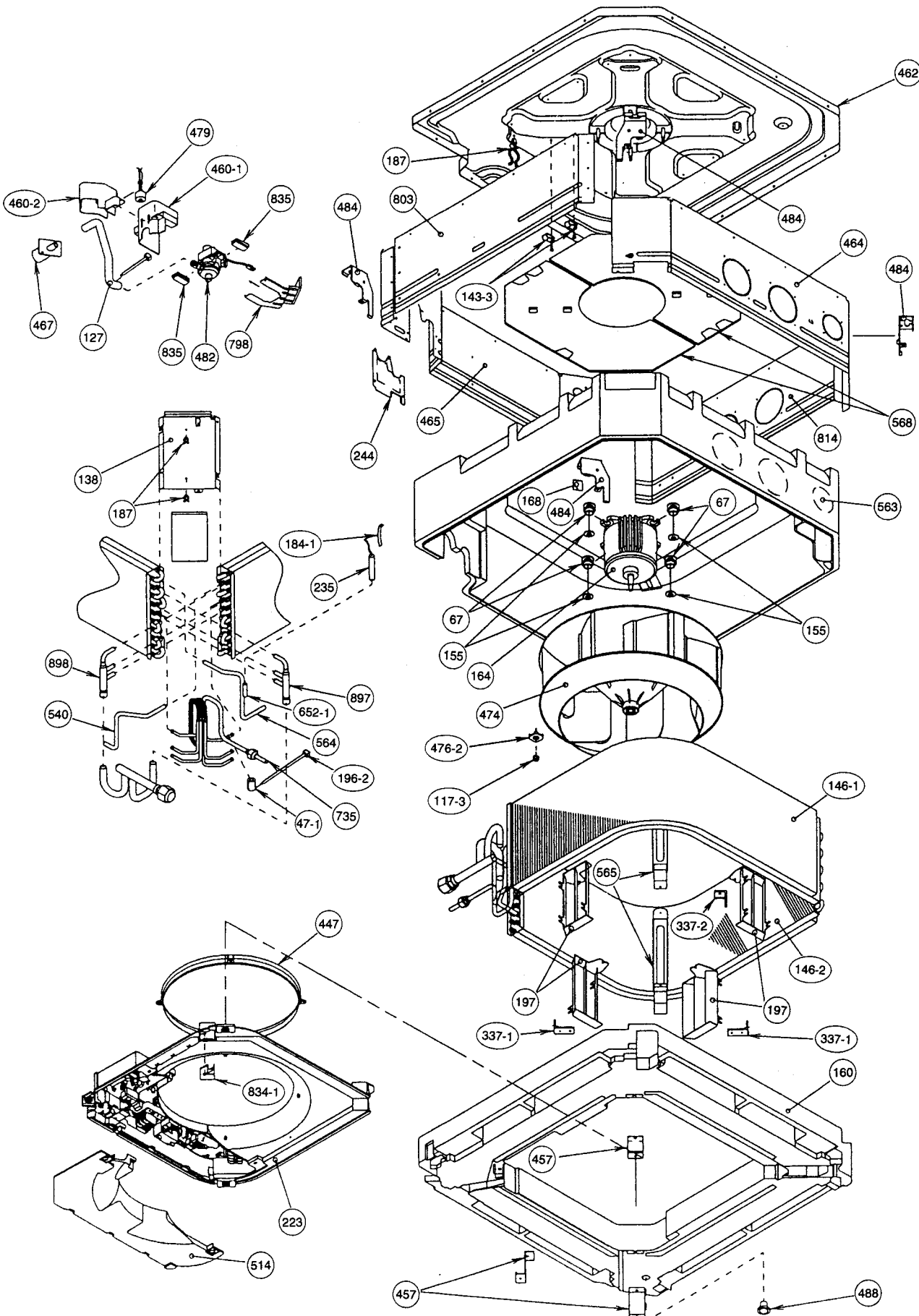
No.	FUNCTIONS	JUMPER WIRE	
		WITH REDUCE	WITHOUT ACTUAL TIME
J1	TIMER	—	—
J2	NOT USED	—	—
J3	REMOTE CONTROLLER TYPE SELECTOR	I	II
J4	AUTO CHANGE OVER	YES	NO
J5	NOT USED	—	—
J6	NOT USED	—	—

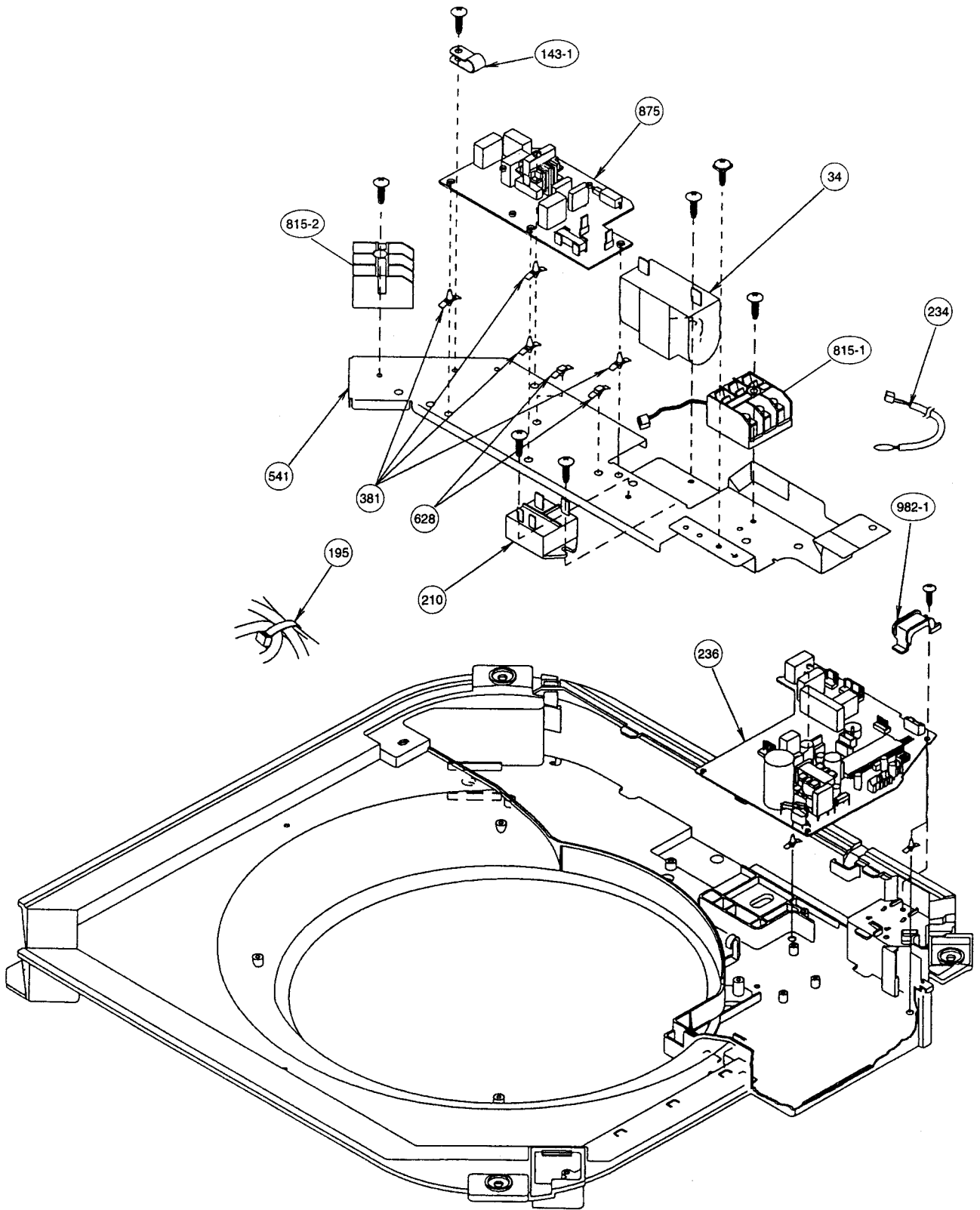
NOTE : Heat pump and cooling only operation are switched with the dip switch DS2 as shown above

DISASSEMBLY ILLUSTRATION

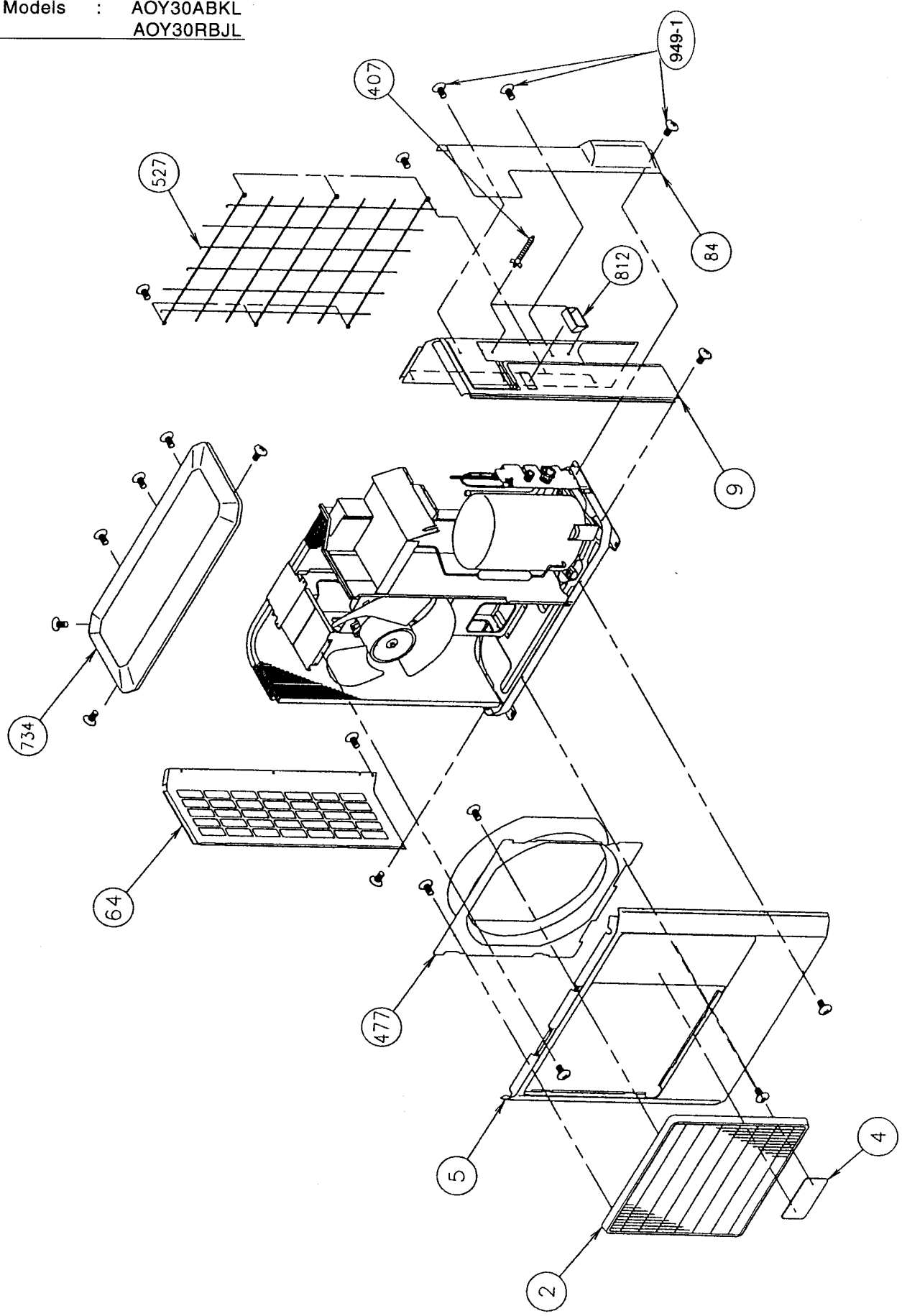
INDOOR UNIT



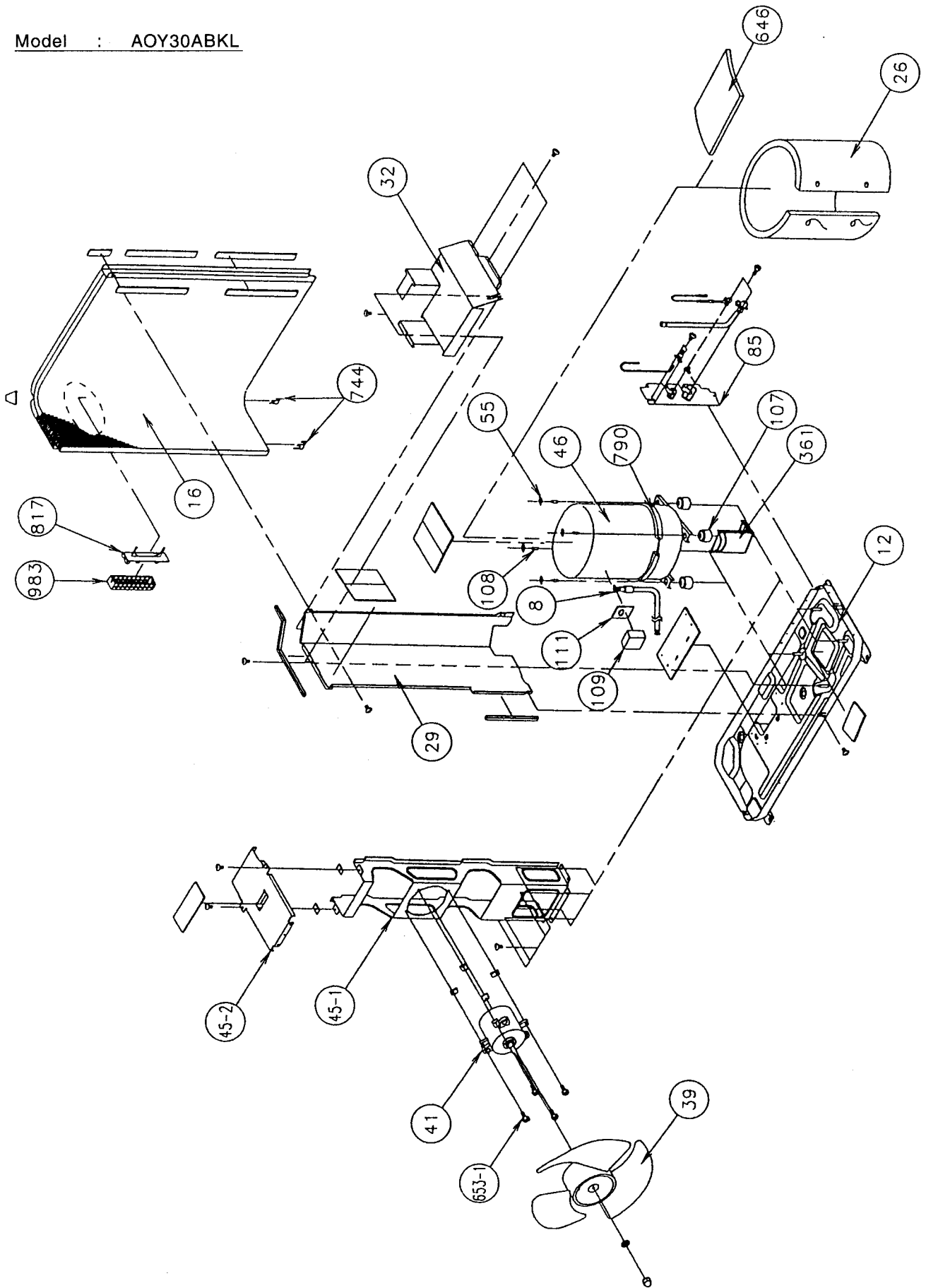




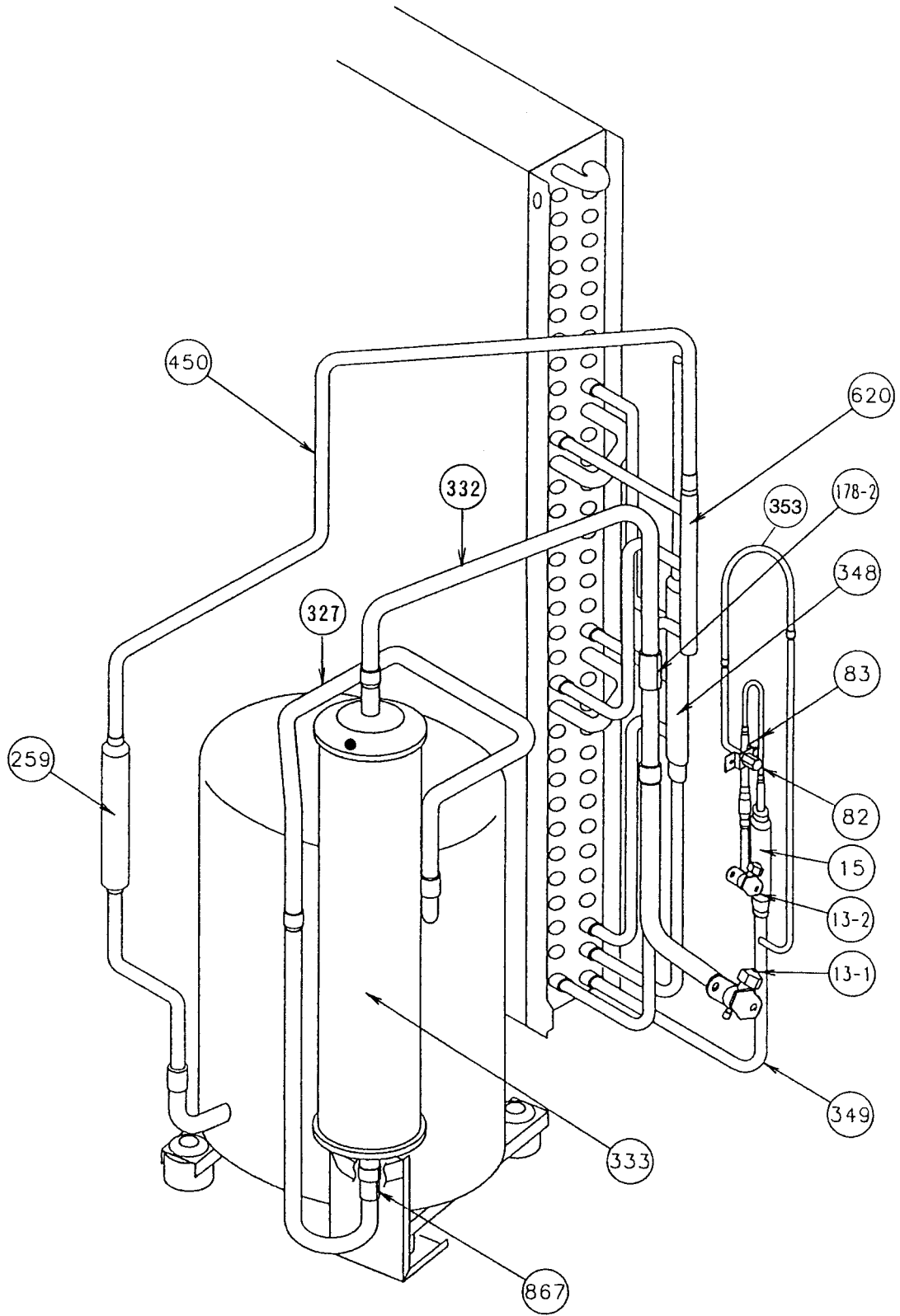
Models : AOY30ABKL
AOY30RBJL



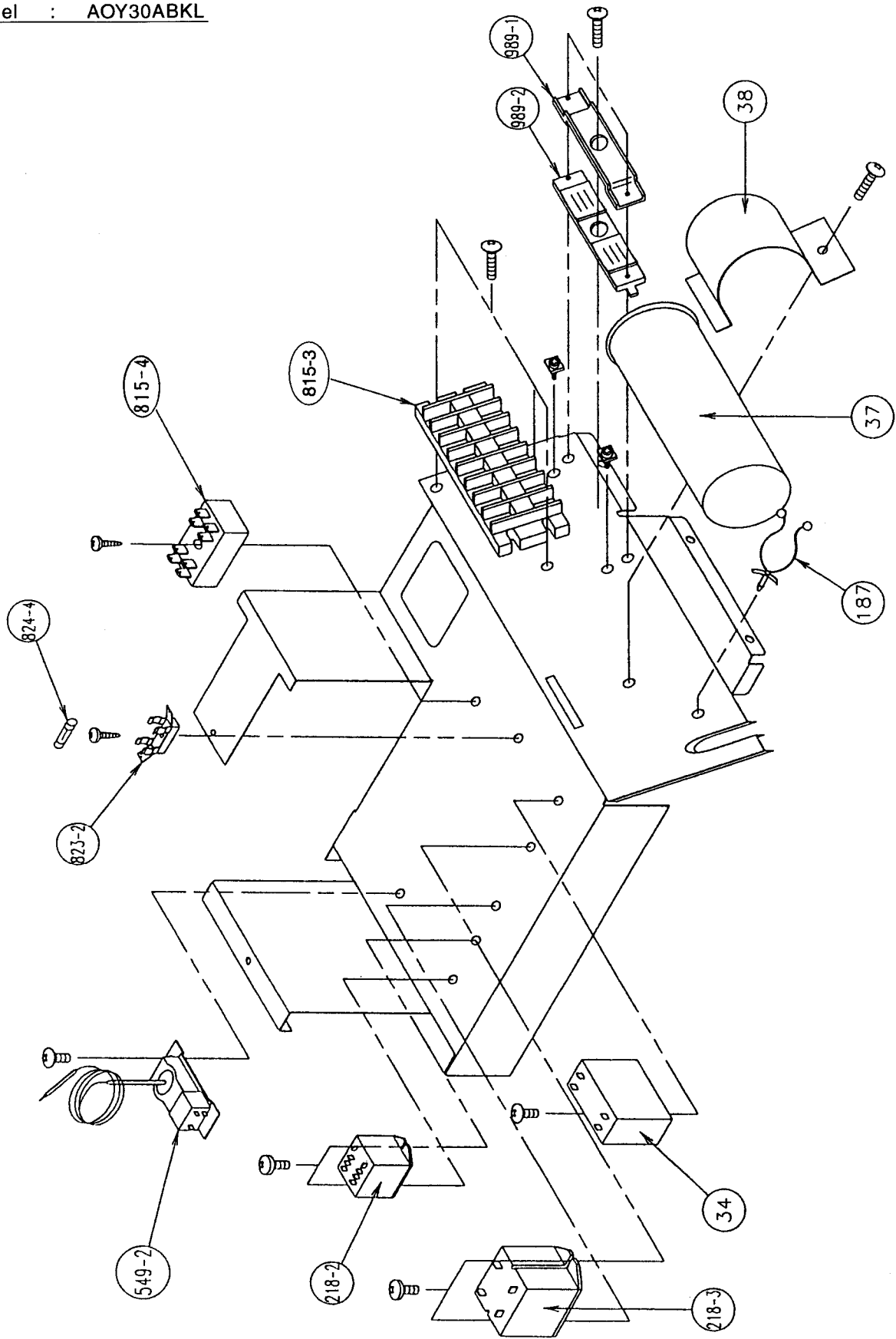
Model : AOY30ABKL



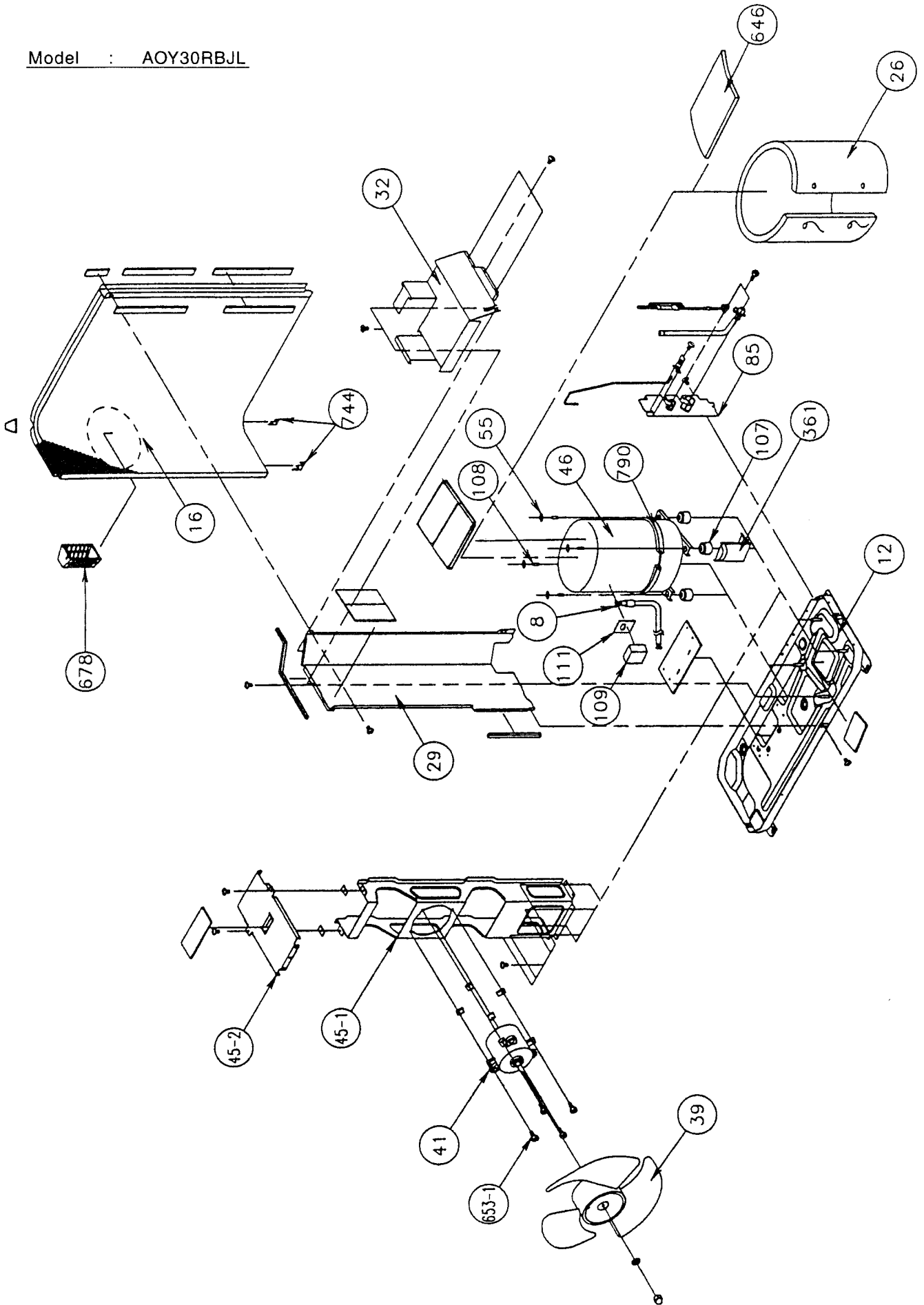
Model : AOY30ABKL



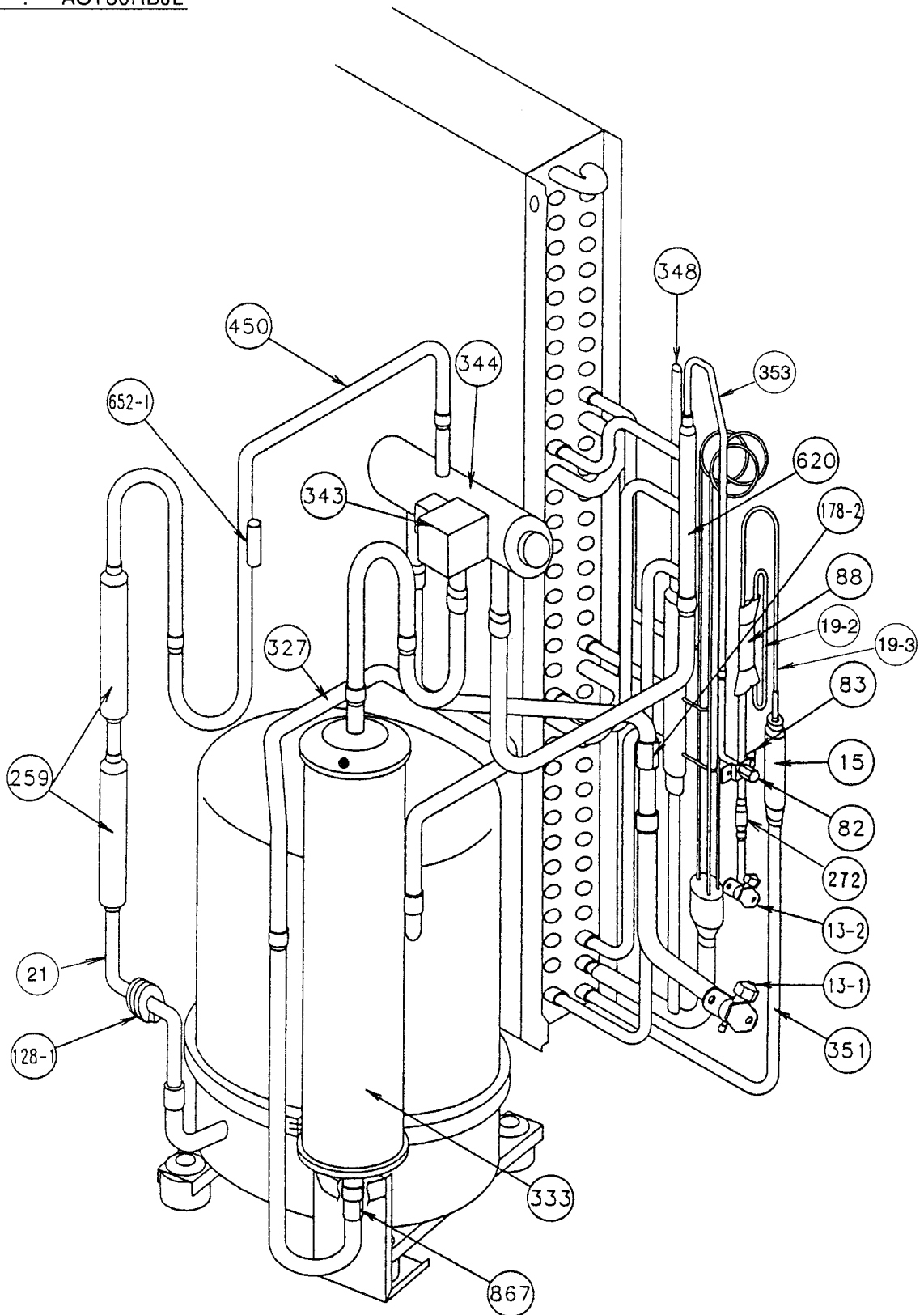
Model : AOY30ABKL



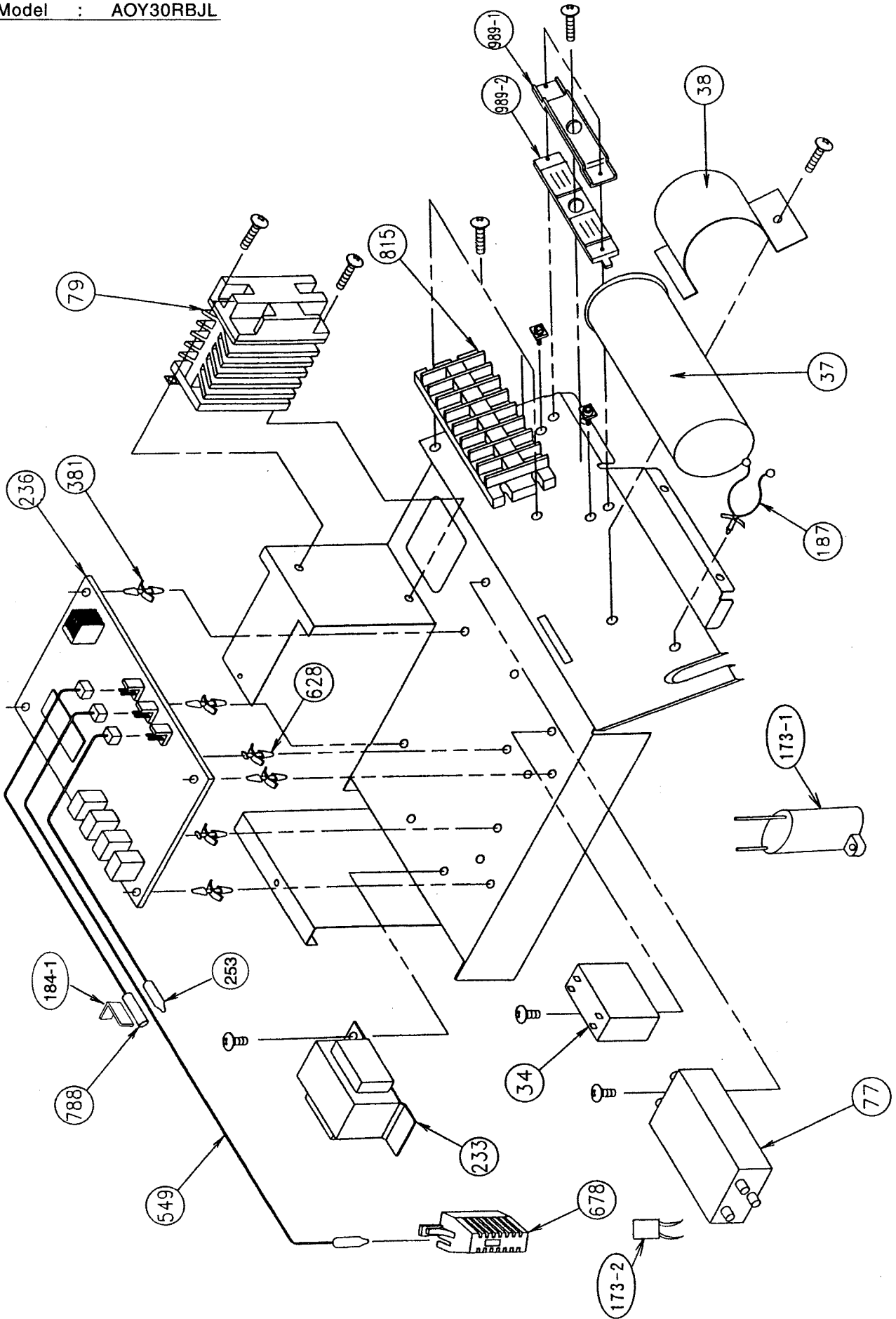
Model : AOY30RBJL



Model : AOY30RBJL



Model : AOY30RBJL



PARTS LIST

When you order parts, please make a photocopy of this page and fill the number of the parts in the "Order" column.

INDOOR UNIT

Ref. No.	Description	Part No.		Order Qty	Ref. No.	Description	Part No.		Order Qty
		AUY30ALB-W	AUY30RLB-W				AUY30ALB-W	AUY30RLB-W	
34	CAPACITOR (FAN MOTOR)	9703306068	9703306068		484	HOOK	9362736008	9362736008	
47-1	RUBBER (DISCHA. PIPE)	313194159807	313194159807		487	GRILLE HINGE WIRE	9362754002	9362754002	
61	DECORATION PLATE	9362787000	9362787000		488	DRAIN PAN PLUG	313005174654	313005174654	
67	RUBBER (VIB. PROOF)	9362783002	9362783002		514	CONTROL BOX COVER	9362763004	9362763004	
71	GRILLE HOOK HOLDER	9362782005	9362782005		522	JOINT GEAR	9362772006	9362772006	
93	FILTER	9362766005	9362766005		540	BYPATH PIPE-B	9363152005	9363152005	
117-3	HEX. NUT W/SP. WASHER	301721180114	301721180114		541	TERMINAL PLATE	9363642001	9363642001	
122	LOUVER SUPPO. HOLDER	9362799003	9362799003		542	PANEL BASE	9362759014	9362759014	
127	DRAIN HOSE	9362784009	9362784009		543	PANEL FRAME HOLDER	9362761017	9362761017	
138	SEPARATE WALL	9362737005	9362737005		544	PANEL BASE HOLDER	9362760010	9362760010	
143-1	CLAMP NK-3N	313361274700	313361274700		545	PANEL FRAME	9362758017	9362758017	
143-3	CLAMP NK-6N	9305657001	9305657001		563	INSULATION (INNER BOX)	9362768009	9362768009	
146-1	EVAPORATOR-A ASSY	9363149005	9363149005		564	BYPATH PIPE-A ASSY	9363151008	9363151008	
146-2	EVAPORATOR-B ASSY	9363150001	9363150001		565	EVA. HOLDER ASSY	9362802017	9362802017	
155	SPECIAL NUT M6	9307615016	9307615016		568	NOISE INSULATION	9363143003	9363143003	
160	DRAIN PAN ASSY	9362804004	9362804004		628	LOCKING SPACER-B	313005446558	313005446558	
164	FAN MOTOR ASSY-IN	9600878019	9600878019		652-1	THERM. HOLDER PIPE	313806262805	313806262805	
168	CABINET-E	9362735001	9362735001		690	JOINT-A	9362773003	9362773003	
184-1	THERMO. SPRING-A	313728262708	313728262708		692	JOINT SHAFT	9362771009	9362771009	
187	CLAMP NO.1219	313361271706	313361271706		705	LOUVER	9362769013	9362769013	
195	CLAMP SKB-100	313361275805	313361275805		710	INTAKE GRILLE	9362767019	9362767019	
196-2	CLAMP SKB-150	313035356905	313035356905		735	DISTRIBUTOR ASSY	9363154009	9363154009	
197	WIND GUIDE BOARD	9363117004	9363117004		777-1	GRILLE HOOK-A	9362779012	9362779012	
210	MAIN RELAY	9356781007	-		777-2	GRILLE HOOK-B	9362778015	9362778015	
223	CONTROL BOX	9362762007	9362762007		798	PUMP HOOK BRACKET	9362753005	9362753005	
226	MOTOR GEAR	9362764001	9362764001		803	CABINET-D	9362734004	9362734004	
234	THERMISTOR ASSY-ROOM	9703299025	9703299025		814	CABINET-C	9362733007	9362733007	
235	THERMISTOR ASSY-PIPE	9703297014	9703297014		815-1	TERMINAL 3P	9306489052	9306489052	
236	CONTROLLER PCB ASSY	9700637080	9700637073		815-2	TERMINAL 3P	9703345012	9703345012	
240	REMOTE CONTROL UNIT	9703173028	9703173011		834-1	WIRE COVER-A	9362789004	9362789004	
244	PIPE COVER	9362748001	9362748001		834-2	WIRE COVER-B	9362788007	9362788007	
245	CABLE CLAMP	313714181904	313714181904		835	CUSHION RUBBER (PUMP)	9362777001	9362777001	
337-1	REINFORCEMENT(EVA)-A	9362749008	9362749008		847	LOUVER SUPPORTER	9362770019	9362770019	
337-2	REINFORCEMENT(EVA)-B	9362750004	9362750004		858	GRILLE SPRING	9362755009	9362755009	
338	MOTOR HOLDER	9362765008	9362765008		875	FILTER PCB ASSY	9703292019	9703071010	
381	LOCKING SPACER	313209391506	313209391506		876-2	STEP MOTOR	9360307019	9360307019	
447	BELL-MOUTH(B)	9362774000	9362774000		897	COUPLING PIPE-A ASSY	9364451008	9364451008	
457	REINFORCEMENT (D.PAN)	9362757003	9362757003		898	COUPLING PIPE-B ASSY	9363155006	9363155006	
460-1	PUMP COVER-A	9362775007	9362775007		982-1	CORD CLAMP	9356857009	9356857009	
460-2	PUMP COVER-B	9362776004	9362776004						
462	TOP COVER PLATE	9362806015	9362806015						
464	CABINET-A	9362800013	9362800013						
465	CABINET-B	9362801010	9362801010						
467	DRAIN PORT	9362786003	9362786003						
468	SPECIAL NUT-A (LARGE)	313005446653	313005446653						
469	SPECIAL NUT-B (SMALL)	313005446759	313005446759						
472-1	GRILLE REINFORCE-T-A	9362738002	9362738002						
472-2	GRILLE REINFORCE-T-B	9362739009	9362739009						
472-3	GRILLE REINFORCE-T-C	9362740005	9362740005						
472-4	GRILLE REINFORCE-T-D	9362741002	9362741002						
472-5	GRILLE REINFORCE-T-E	9362742009	9362742009						
474	TURBO FAN ASSY	9362803014	9362803014						
476-2	SPECIAL WASHER	9362756006	9362756006						
479	FLOAT SWITCH	9703285004	9703285004						
482	PUMP UNIT	9703125010	9703125010						

When you order parts, please make a photocopy of this page and fill the number of the parts in the "Order" column.

OUTDOOR UNIT

Ref. No.	Description	Part No.		Order Q'ty	Ref. No.	Description	Part No.		Order Q'ty
		AOY30ABKL	AOY30RBJL				AOY30ABKL	AOY30RBJL	
2	FAN COVER (GUARD)	9359808015	9359808015		259	MUFFLER	313755083903	313755083903	
4	EMBLEM-REAR	9359836018	9359836018		272	STRAINER	—	9360147011	
5	CABINET-A, PAINTED	9359797029	9359797029		327	SUCTION PIPE-A	9360152008	9360152008	
8	WIRE ASSY (SHIELD)-D	9359904021	9359904021		332	SUCTION PIPE-E	9361052000	—	
9	CABINET-B, PAINTED	9359798026	9359798026		333	ACCUMULATOR	9360183002	9360183002	
12	BASE ASSY, PAINTED	9359812029	9359812029		343	SOLENOID COIL	—	9360538024	
13-1	3-WAY VALVE, (5/8)	9360157003	9360157003		344	4-WAY VALVE	—	9360195005	
13-2	3-WAY VALVE, (3/8)	9360150004	9360150004		348	OUTLET PIPE (COND.) ASSY	9360171009	9360131003	
15	DRYER	9353789006	9353789006		349	OUTLET PIPE-E	9360174000	—	
16	CONDENSER ASSY	9360280015	9360280015		351	OUTLET PIPE-F	—	9360158000	
19-2	CAPILLARY TUBE (HEAT)	—	9360755001		353	VALVE-A ASSY	9360177001	9360756008	
19-3	CAPILLARY TUBE (COOL)	9360179005	9360148001		361	ACCUMULATOR SUPPORT	9359843016	9359843016	
21	DISCHARGE PIPE-B	9360156006	9360156006		381	LOCKING SPACER	—	313209391506	
26	COMPRESSOR COVER-A	9362501002	9362501002		407	CLAMP(CABLE) No. 1259	313739340109	313739340109	
29	SEPARATE WALL	9359804017	9359804017		450	DISCHARGE PIPE-A ASSY	9360166005	9360124005	
32	CONTROL BOX METAL	9359839019	9359839019		477	BELL-MOUTH	9359809012	9359809012	
34	CAPACITOR (FAN MOTOR)	9357965024	9700467052		527	PROTECTION NET	9359844013	9359844013	
37	RUNNING CAPACITOR	9703107078	9703107078		549	THERMOSTAT-OUTDOOR	—	9357328027	
38	CAPACITOR CLAMP	9360610010	9360610010		549-2	THERMOSTAT-OUTDOOR	9353680006	—	
39	PROPELLER FAN	9359837015	9359837015		620	INLET PIPE (COND.) ASSY	9360167002	9360126009	
41	FAN MOTOR ASSY-OUT	9600266045	9600266045		628	LOCKING SPACER-B	—	313005446558	
45-1	MOTOR BRACKET	9359801016	9359801016		646	COMPRESSOR COVER-B	9353368003	9353368003	
45-2	MOTOR BRACKET-TOP	9359803010	9359803010		652-1	THERM. HOLDER PIPE	—	313806262805	
46	COMPRESSOR ASSY	9360613011	9360613011		653-1	BOLT, (F.MOTOR FIXG)	0700156014	0700156014	
55	SPECIAL NUT M8	313252257701	313252257701		678	BRACKET (THERMISTOR)	—	313557406106	
64	CABINET-LEFT	9359840022	9359840022		734	CABINET TOP PLATE	9359799023	9359799023	
82	CHECK JOINT ASSY	9360762009	9360771001		744	CLAMP (CONDENSER)	313166374106	313166374106	
83	CHECK JOINT BRACKET	9359807018	9359807018		788	THERMISTOR-DISCHARGE	—	9358337011	
84	VALVE COVER	9359817017	9359817017		790	BELT HEATER	9361140035	9361140035	
85	VALVE FIXING PLATE	9359806011	9359806011		812	GRIP	9352157004	9352157004	
88	RESTRICTOR VALVE	—	9360146007		815-3	TERMINAL 8P	9358660119	9358660119	
107	RUBBER SEAT-A	313102081406	313102081406		817	THERMOSTAT FIXTURE	9352164019	—	
108	SLEEVE-A	313696081700	313696081700		823-2	FUSE HOLDER	0500063024	—	
109	TERMINAL COVER	9352456022	9352456022		824-4	FUSE	0600222529	—	
111	TERMINAL PACKING	9352456039	9352456039		867	ACCUMULATOR HLD.	9354022010	9354022010	
128-1	RUBBER (DISCHA. PIPE)	—	313155086308			RUBBER			
178-2	CAPILLARY HLD.RUBBER	313394274808	313394274808		949-1	SCREW, PAINTED	9305648009	9305648009	
184-1	THERMO. SPRING-A	—	303728262708		983	THERMOSTAT COVER	9358274002	—	
187	CLAMP No.1219	313361271706	313361271706		989-1	CORD CLAMP-A	9359822011	9359822011	
233	POWER TRANSFORMER	—	9701549016		989-2	CORD CLAMP-B	9359823018	9359823018	
236	CONTROLLER PCB ASSY	—	9702834012						
253	THERMISTOR ASSY-PIPE	—	9701330010						

When you order parts, please make a photocopy of this page and fill the number of the parts in the "Order" column.

[Indoor Unit] CONTROLLER PCB ASSEMBLY (Ref. No. 236)

Ref. No.	Description	Part No.	Ord. Qty	Ref. No.	Description	Part No.	Ord. Qty
IC1	IC uPD78014HCW-024	9700856016		R45	Res. 49.9kΩ ±1%	0200279824	
IC2	IC NJM7812FA	0100462104		R63	Res. 15.4kΩ ±1%	0200279565	
IC3	IC NJM7805FA	0100462081		R64	Res. 28kΩ ±1%	0201114445	
IC4~6	Xstar Array μ PA2003GR	0100028041		C5	Cap. Elec. 450V 100μF	0300256060	
IC7	IC BR93LC46RF-E2	0100295016		C6	Cap. Plastic 4700pF	0300269091	
IC8	IC PST600CMTR	0101461120		C7	Cap. Plastic 0.047μF	0300169339	
IC9	IC Photocoupler TLP621(D4)-GB	0000117074		C8	Cap. Elec. 25V 100μF	0301197560	
(IC10)	IC H12002	9701384020		C9	Cap. Elec. 25V 1000μF	0301196495	
IC11	IC BA10358FE2	0101846071		C10, 11, 33, 36,	Cap. Elec. 25V 10μF	0301192312	
Q1	Xstr 2SC4236	0000164047		C12	Cap. Elec. 25V 1000μF	0301158264	
Q2	Xstr 2SC1815	0000002011		C13, 15, 34, 37, 39	Cap. Ceramic 50V 0.1μF	0300311752	
Q3, 4	Xstr DTC124EKA	0000936033		44, 45			
Q5, 6	Xstr 2SC2712	0000781053		C14	Cap. Elec. 25V 100μF	0301192350	
D1	Diode D3SB60	0000689045		C16~31, 38, 40	Cap. Ceramic 50V 0.01μF	0300311738	
D2, 4, 7	Diode D1FL20U	0000746519		46, 49, (CJ1)			
D3	Diode MTZJ5, 1B	0000852166		CJ12			
D5	Diode 1SR139-600	0000353120		C32, 35, 50~53	Cap. Ceramic 50V 1000pF	0300308509	
D6	Diode D2FL20U	0000906500		C54	Cap. Ceramic 50V 0.01μF	0300209127	
D8	Diode D1F60	0000208024		X1	Ceramic Resonator EF0EC8384T4	9701261017	
D9, 10	Diode DA226U	0000625036		L2~4	EMI Filter EXCEMT103DT	0400406396	
D12	Diode DAN202K	0000684019		VA1, (3)	Varistor TNR12G471K	0000038010	
R1	Res. Cement 5W 3.3Ω ±10%	0200153148		SSR1	Relay G3M-202P-UTU	9701653010	
R2	Res. Cement 2W 1.5Ω ±5%	0201107119		K4	Relay JQ1-12V	9701316014	
R3	Res. 100Ω ±5%	0200212500		CR1	CR Absorber RPEL-121204-C	9701125012	
R4	Res. Carbon 220kΩ ±5%	0200111353		T1	Switching Transformer ETS28AS118AH	9702727017	
R5	Res. Metal 2W 47kΩ ±5%	0201107652		SW1, 4	Switch, Slide DSS803	9701392018	
R6	Res. 100Ω ±5%	0200731506		SW2	Switch, Rotary DRS4016-5	9701694013	
R7	Res. 330Ω ±5%	0200708621		CN1	Plug. PCB 5-1123724-2	0501321574	
R8, 10, 13~17, 21~24, 29~32 37, 39, 48, 50, 52 55, 59~61, 66, 68, 70				(CN1)	Plug. PCB 5-1123724-3	0501321635	
R9, 47, 65	Res. 330Ω ±5%	0200212647		CN3	Plug. PCB 53406-9910	0500951048	
R11	Res. Metal 1W 56kΩ ±5%	0201106662		CN4	Plug. PCB 2-1123724-2	0501321529	
R12, 18~20, 25~28, 33~36 38, 42, 44, 46, 49 51, 58, 67, 69				CN5	Plug. PCB 1-1123724-3	0501321451	
CJ1	Res. 0Ω	0200212012		CN6	Plug. PCB 3-1123724-2	0501321536	
JM9	Res. 0Ω	0200230016		CN7	Plug. PCB B2B-XAKK-1-A	0501045227	
R40, 41, 62, 71, 72	Res. 4.7kΩ ±5%	0200212906		CN8	Plug. PCB B2B-XASK-1-A	0501045012	
R43	Res. 10kΩ ±1%	0200279497		CN9	Plug. PCB B5P-SHF-1AA	0500006069	
				CN10	Plug. PCB B5B-XASK-1-A	0501045043	
				CN12	Plug. PCB B3B-XASK-1-A	0501045029	
				CN14	Plug. PCB B4B-XH-AM	0500005314	
				CN15	Plug. PCB B3B-XARK-1-A	0501045319	
				CN17	Plug. PCB B3B-XAKK-1-A	0501045357	

[Indoor Unit] FILTER PCB ASSEMBLY (Ref. No. 875)

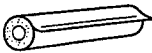






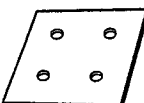
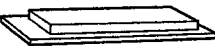

Ref. No.	Description	Part No.	Ord. Qty	Ref. No.	Description	Part No.	Ord. Qty
VA101, 102	Varistor TNR12G471K	0000038010		C105, 106	Cap. Plastic 0.022μF	0301052098	
SA101	Arrester DSA-362MA-05	0600168032		LF101	EMI Filter ELF17N015A	0400197119	
TM101, 102	Plug Contact 86028	0500536016		E101	Wire w/Terminal L=100 GRN	9702313012	
F101	Fuse 2183.15	0600285210		W103, 104	Wire Assy #18 3P	9703261015	
C101, 102	Cap. Plastic 0.22μF	0300304099		FH1, 2	Fuse Holder PFC5000-0502	0500158072	

When you order parts, please make a photocopy of this page and fill the number of the parts in the "Order" column.



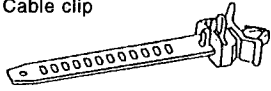

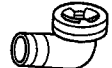
[Outdoor Unit] CONTROLLER PCB ASSEMBLY (Ref. No. 236)

Ref. No.	Description	Part No.	Ord. Q'ty	Ref. No.	Description	Part No.	Ord. Q'ty
IC1	IC μ PD78081CU-011	9701721016		C9~11, 14~16	Cap. Ceramic 50V 0.01 μ F	0300013113	
IC2	IC HU2001	9701651016		30			
IC3	IC PST600D-2-TP	0101461113		C17	Cap. Elec. 25V 100 μ F	0300051375	
IC4	IC NJM7805FA	0100462081		C20, 23, 26, 35	Cap. Ceramic 50V 1000pF	0300011096	
IC5, 6	IC BA12003	0101650012		C33	Cap. Elec. 25V 2200 μ F	0300915417	
RC1	RC Module ARCL14FS103J102J103M	0200301020		X1	Ceramic Resonator EF0EC5004T4Z	9701261024	
Q1	Xstr 2SD880	0000001014		K1~3, 6	Relay JQ1-12V	9701316014	
Q2, 3	Xstr DTC124ES	0000517010		CR1, 3	CR Absorber RPEL-121204-C	9701125012	
D1	Diode D2SB20	0000599023		VA1, 4	Varistor TNR12G471K	0000038010	
D2	Diode MTZJ15C	0000852203		SA1	Arrester DSA-362MA-05	0600168032	
D6	Diode 1SS133	0000572019		L1	EMI Filter SU16VF-15030	0400134114	
D3~5	Diode 1SR139-400	0000353137		F1	Fuse 2183. 15	0600285210	
LED1, 2	Diode SLR-325VC	0000813259		FH1, 2	Fuse Holder PFC5000-0502	0500158072	
R1, 2	Res. Carbon 5.6k Ω \pm 5%	0200994192		HT1	Heat Sink PUG26-25	9701428014	
R4, 26	Res. Carbon 4.7k Ω \pm 5%	0200994178		CN1	Plug, PCB 53406-9110	0500951086	
R3, 6, 10~12, 14 16, 18, 20, 24	Res. Carbon 1k Ω \pm 5%	0200994017		CN2	Plug, PCB BP23-VH-B-R	0500011766	
R5, 7~9, 13, 21~23, 25	Res. Carbon 10k Ω \pm 5%	0200994253		CN3	Plug, PCB B2B-XH-AM	0500005321	
R15, 17	Res. Metal 14k Ω \pm 1%	0201028612		CN4	Plug, PCB 53331-0210	0501033019	
R19	Res. Metal 6.65k Ω \pm 1%	0201028766		CN5	Plug, PCB B4P7-VH-B	0500011742	
C1, 4	Cap. Plastic 0.1 μ F	0300894835		CN8	Plug, PCB 179844-2	0501121020	
C2, 3	Cap. Plastic 4700pF	0300727546		CN9	Plug, PCB 179844-1	0501121013	
C5	Cap. Elec. 50V 2200 μ F	0301206026		CN10	Plug, PCB B4P-SHF-1AA	0500006038	
C6, 7, 21, 24, 27	Cap. Elec. 250V 10 μ F	0300004258		CN11	Plug, PCB B2P-VH-B	0500011124	
C8, 18, 19, 22, 25 28, 29, 34, 36	Cap. Ceramic 0.1 μ F	0300988251		CN12	Plug, PCB B2P-VH-B-C	0500011568	
				CN13	Plug, PCB B2P-VH-B-R	0500011148	
				CN15	Plug, PCB B2B-XASK-1-A	0501045012	
				E	Wire w/Terminal L=210 GRN	9701325016	

INDOOR UNIT ACCESSORIES

Name and Shape	Part No.
Coupler heat insulation 	9350716029 }1 each 9352766015
Remote control unit cord clamp 	313714181904
Binder 	313035356905 (Large)
	313361275805 (Small)
Screw 	(A)301141134166 For installing the monting bracket
	(B)301141153027 For installing the cord clamp
Special nut A (large flange) 	313005446653
Special nut B (small flange) 	313005446759
Remote control unit 	(COOLING MODEL) 9703173028
	(COOLING & HEATING MODEL) 9703173011
Template 	9363173000
Blower cover insulation 	9363265002
Hook wire 	9363168006

OUTDOOR UNIT ACCESSORIES

Name and Shape	AOY30RBJL	AOY30ABKL
Cap (drain) 	313166024302	_____
Hexagon wrench 	9351228019	9351228019
Cable clip 	313739340109	313739340109
Tappig screw (painted) 	9305648009	9305648009
Drain pipe 	9303029015	_____