

**SPLIT TYPE
AIR CONDITIONER**

CASSETTE type (50Hz)

SERVICE MANUAL

MODELS : Indoor unit Outdoor unit
 AUY18AGA AOY18AZCL
 AUY18RGA AOY18RZCL

C O N T E N T S

| | |
|--|----|
| SPECIFICATIONS | 1 |
| OUTLINE AND DIMENSIONS | 2 |
| CIRCUIT DIAGRAM | 4 |
| REFRIGERANT SYSTEM DIAGRAM | 6 |
| REMOTE CONTROL UNIT CIRCUIT DIAGRAM | 7 |
| P.C. BOARD LAYOUTS | 9 |
| INDOOR PRINTED CIRCUIT BOARD CIRCUIT DIAGRAM | 10 |
| DISASSEMBLY ILLUSTRATION | 12 |
| PARTS LIST | 18 |

SPECIFICATIONS

| | | | |
|------------------|------|------------------|------------------|
| TYPE | | COOL | COOL & HEAT |
| INDOOR UNIT | | AUY18AGA | AUY18RGA |
| OUTDOOR UNIT | | AOY18AZCL | AOY18RZCL |
| COOLING CAPACITY | (kW) | 4.95-5.10 | 4.85-5.00 |
| HEATING CAPACITY | (kW) | - | 5.30-5.45 |

ELECTRICAL SPECIFICATIONS

| | | | |
|--------------------|-----------------------|---------|-----------|
| POWER SUPPLY | (V) | 220-240 | |
| FREQUENCY | (Hz) | 50 | |
| RUNNING CURRENT | (A) | COOLING | 9.2-9.1 |
| | | HEATING | - |
| INPUT | (kW) | COOLING | 2.00-2.10 |
| | | HEATING | - |
| EER | (kW / kW) | COOLING | 2.48-2.43 |
| | | HEATING | - |
| MOISTURE REMOVAL | (ℓ / hr) | 2.1 | 2.1 |
| AIR CIRCULATION-HI | (m ³ / hr) | 650 | 650 |

COMPRESSOR

| | | | |
|-------------|---------------|-------|-------|
| TYPE | Hermetic type | | |
| CODE | AWG5524E×C | | |
| | 220-240V 50Hz | | |
| REFRIGERANT | R-22 (g) | 1,170 | 1,800 |

FAN MOTOR

| | | | |
|--------------|-----------|-----------|-----------|
| POWER SUPPLY | (V) | 240 | |
| INDOOR UNIT | TYPE | MFA-18DTH | |
| | HI-SPEED | (r.p.m.) | 820 |
| | MED-SPEED | (r.p.m.) | 740 |
| | LO-SPEED | (r.p.m.) | 620 |
| OUTDOOR UNIT | TYPE | MFB-252TA | |
| | HI / LO | (r.p.m.) | 740 / 280 |

DIMENSIONS

| | |
|--------------|---|
| INDOOR UNIT | (HEIGHT) 235 mm × (WIDTH) 580 mm × (DEPTH) 580 mm + 70 mm |
| OUTDOOR UNIT | (HEIGHT) 643 mm × (WIDTH) 840 mm × (DEPTH) 336 mm |
| GRILLE | (HEIGHT) 35 mm × (WIDTH) 650 mm × (DEPTH) 650 mm |

WEIGHT

| | | | |
|--------------|------------------|-----------|-----------|
| INDOOR UNIT | NET / GROSS (kg) | 18 / 23 | 18 / 23 |
| OUTDOOR UNIT | NET / GROSS (kg) | 66 / 73 | 68 / 76 |
| GRILLE | NET / GROSS (kg) | 2.2 / 4.3 | 2.2 / 4.3 |

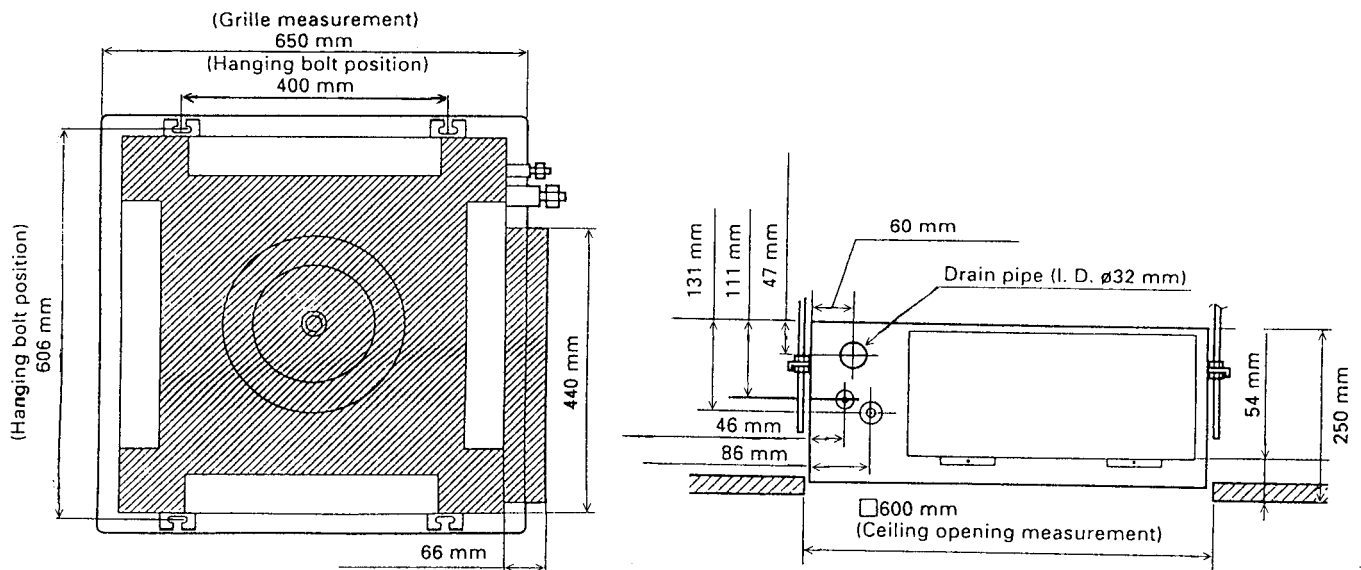
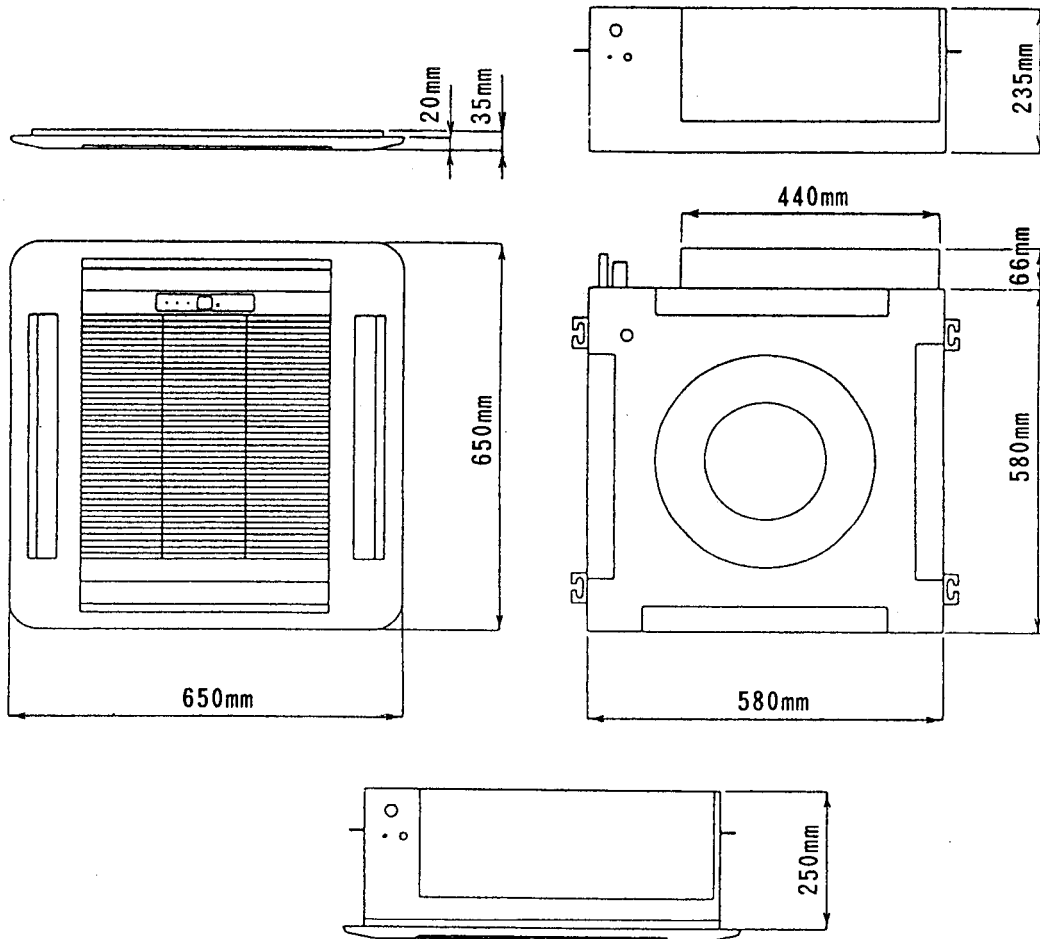
ADDITIONAL REFRIGERANT

| | | | | | |
|--------------------|----------|-----------------|-----------------|-----------------|-----------------|
| PIPE LENGTH | | 5m(16ft.) | 10m(33ft.) | 15m(49ft.) | 20m(66ft.) |
| FULL CHARGE AMOUNT | AUY18AGA | 1,170g(41.3oz.) | 1,245g(43.9oz.) | 1,320g(46.6oz.) | 1,395g(49.2oz.) |
| | AUY18RGA | 1,800g(63.5oz.) | 1,950g(68.8oz.) | 2,100g(74.1oz.) | 2,250g(79.4oz.) |

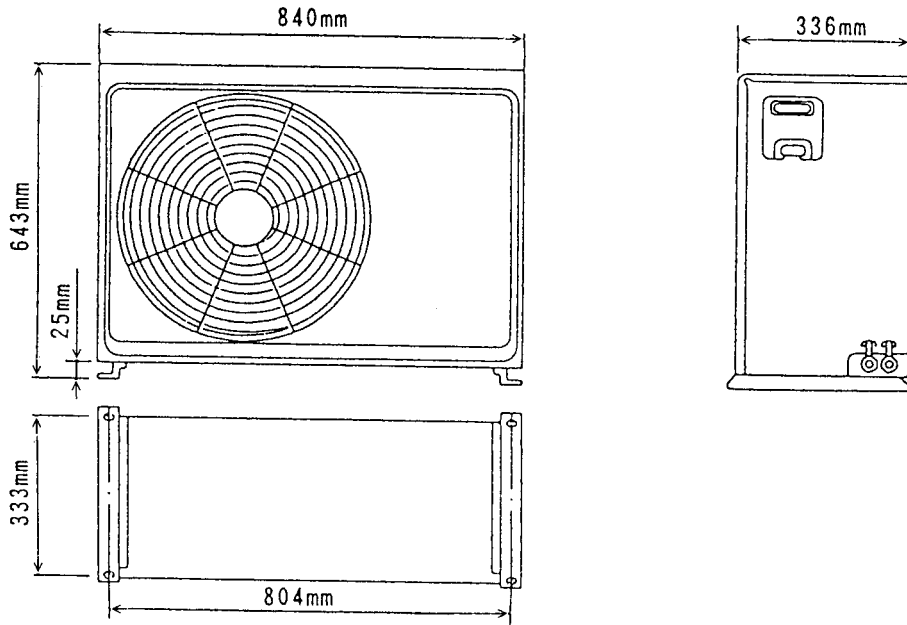
Note : In the case that 5 m are exceed, when using a connection pipe other than that in the table, charge additional refrigerant with 15g(0.53oz.)/1m(3.3ft) for AUY18AGA model and 30g(1.06oz.)/1m(3.3ft) for AUY18RGA model as the criteria.

OUTLINE AND DIMENSIONS

INDOOR UNIT

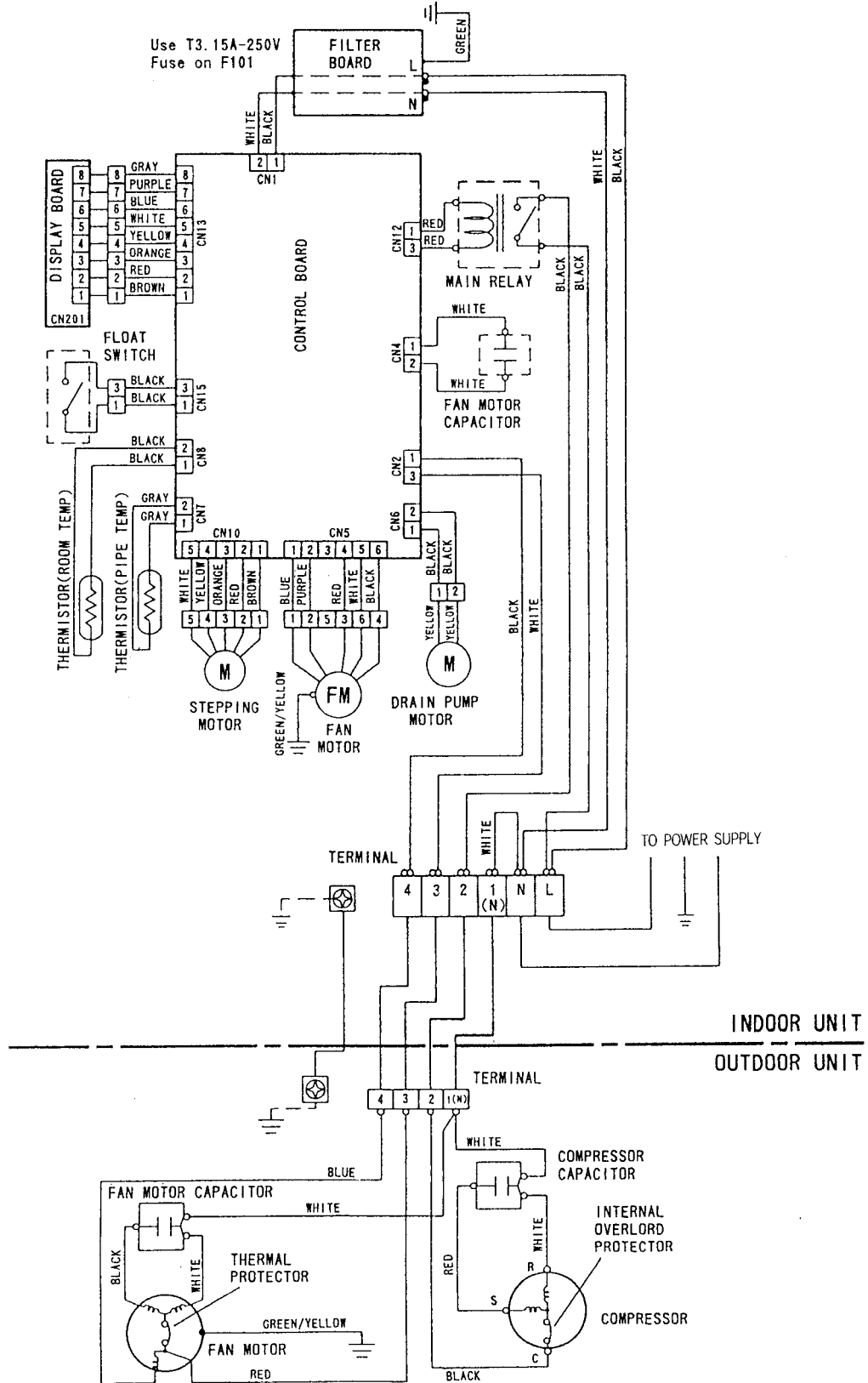


OUTDOOR UNIT

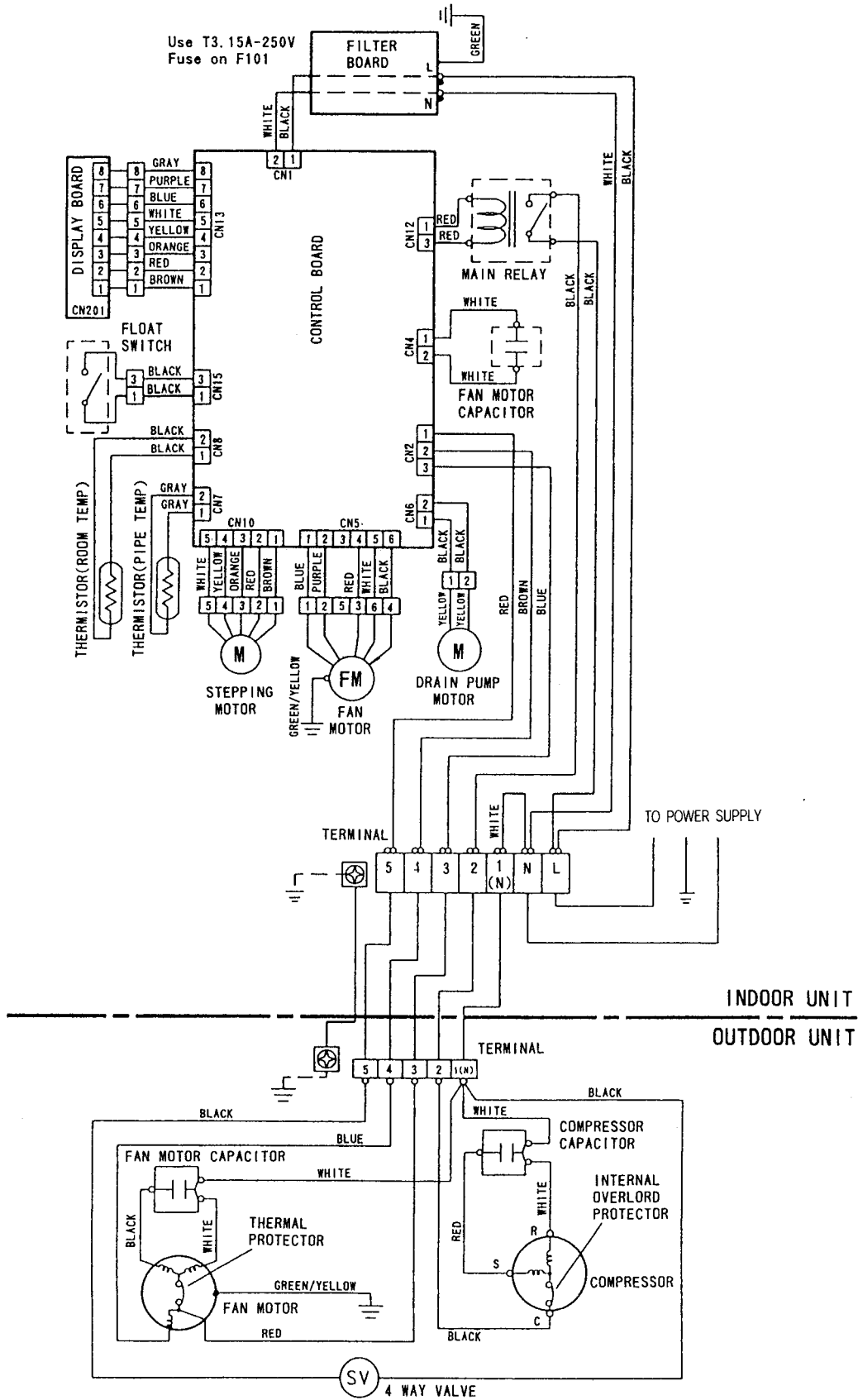


CIRCUIT DIAGRAM

Models : AU Y18AGA / AO Y18AZCL

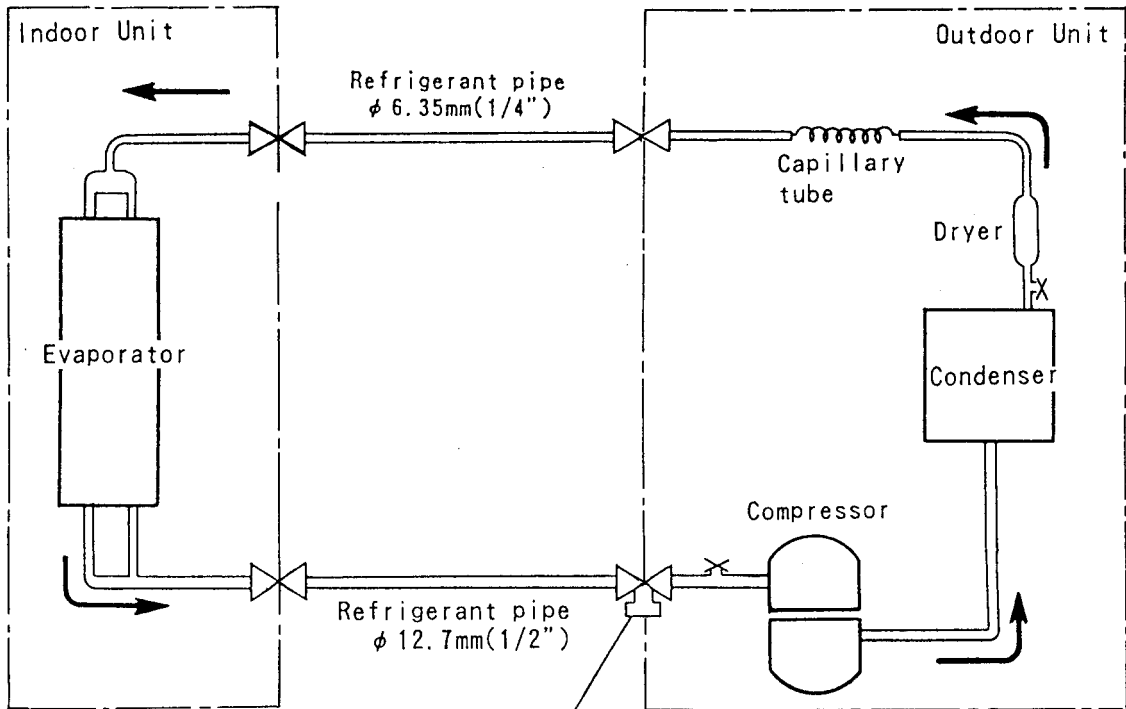


Models : AUY18RGA / AOY18RZCL



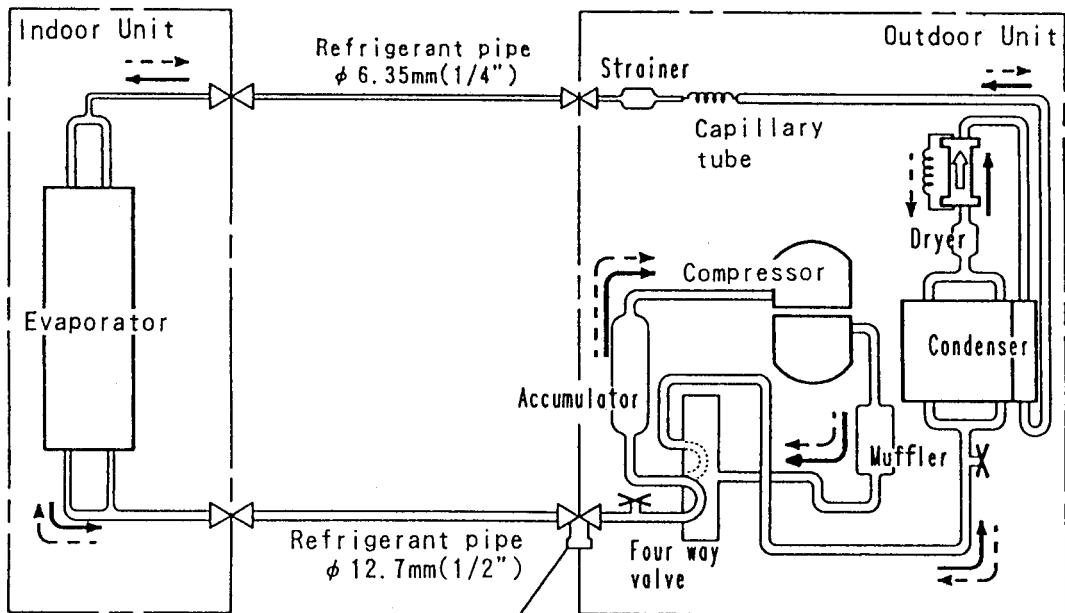
REFRIGERANT SYSTEM DIAGRAM

Models : AU Y18AGA / AO Y18AZCL

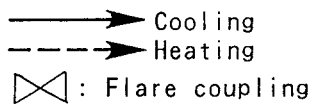


Charging valve

Models : AU Y18RGA / AO Y18RZCL



Charging valve

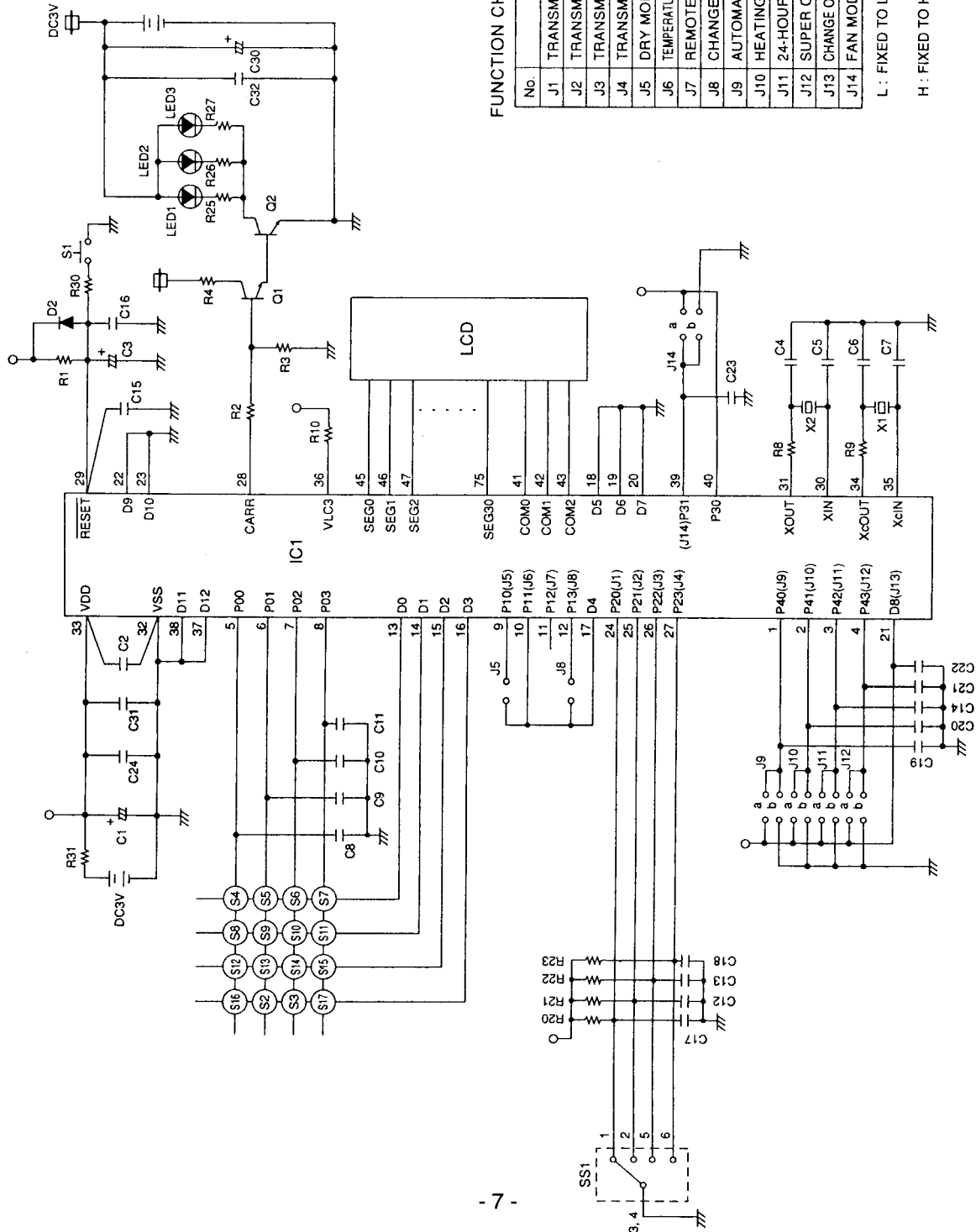


REMOTE CONTROL UNIT CIRCUIT DIAGRAM

Model : AUY18AGA

KEY NO. : KEY FUNCTION
CORRESPONDENCE TABLE

| No. | KEY FUNCTION |
|-----|---------------------------|
| S1 | ACL |
| S2 | TIMER ADJUST |
| S3 | TEST RUN |
| S4 | START/STOP |
| S5 | MASTER CONTROL |
| S6 | SET TEMP.(+), SET TIME(+) |
| S7 | SET TEMP.(.), SET TIME(-) |
| S8 | FAN CONTROL |
| S9 | |
| S10 | |
| S11 | UP AND DOWN SWING |
| S12 | UP AND DOWN WIND |
| S13 | ENERGY SAVE |
| S14 | RIGHT AND LEFT SWING |
| S15 | TIMER SELECTOR |
| S16 | SLEEP |
| S17 | RIGHT AND LEFT WIND |



FUNCTION CHANGE BY THE JUMPER WIRE

| No. | FUNCTION |
|-----|--|
| J1 | TRANSMITTING CODE CHANGE L |
| J2 | TRANSMITTING CODE CHANGE H |
| J3 | TRANSMITTING CODE CHANGE H |
| J4 | TRANSMITTING CODE CHANGE H |
| J5 | DRY MODE H |
| J6 | TEMPERATURE DISPLAY OF AUTOMATIC OPERATION L |
| J7 | REMOTE CONTROL_SELECTOR H |
| J8 | CHANGE OF TEMPERATURE UNIT H |
| J9 | AUTOMATIC OPERATION H |
| J10 | HEATING MODE L |
| J11 | 24-HOUR/12-HOUR H |
| J12 | SUPER QUIET H |
| J13 | CHANGE OF AUTOMATIC OPERATION DISPLAY H |
| J14 | FAN MODE H |

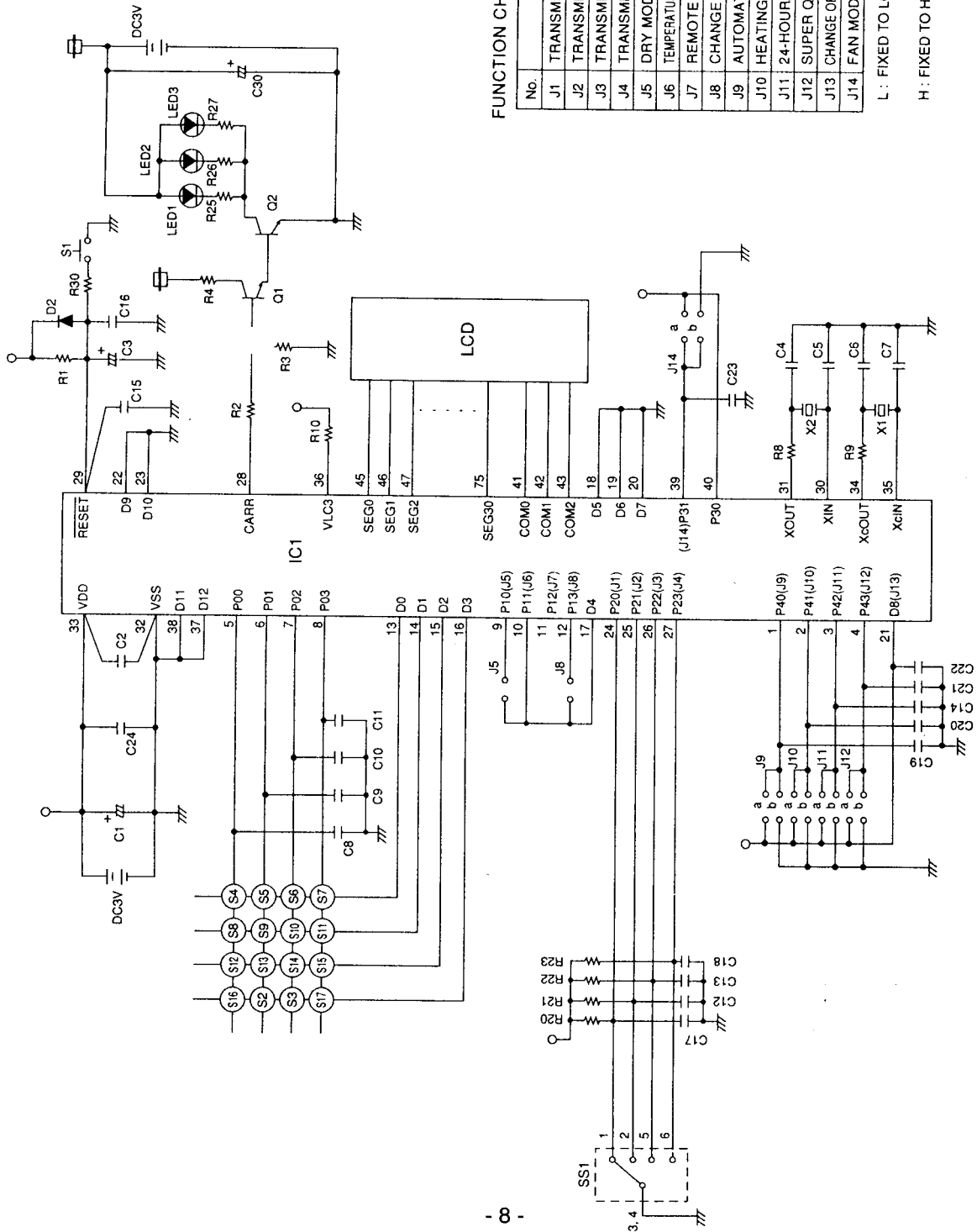
L : FIXED TO LOW LEVEL

H : FIXED TO HIGH LEVEL

Model : AUY18RGA

KEY NO. : KEY FUNCTION CORRESPONDENCE TABLE

| No. | KEY FUNCTION |
|-----|---------------------------|
| S1 | ACL |
| S2 | TIMER ADJUST |
| S3 | TEST RUN |
| S4 | START/STOP |
| S5 | MASTER CONTROL |
| S6 | SET TEMP.(+), SET TIME(+) |
| S7 | SET TEMP.(.), SET TIME(-) |
| S8 | FAN CONTROL |
| S9 | |
| S10 | |
| S11 | UP AND DOWN SWING |
| S12 | UP AND DOWN WIND |
| S13 | ENERGY SAVE |
| S14 | RIGHT AND LEFT SWING |
| S15 | TIMER SELECTOR |
| S16 | SLEEP |
| S17 | RIGHT AND LEFT WIND |



FUNCTION CHANGE BY THE JUMPER WIRE

| No. | FUNCTION | |
|-----|--|---|
| J1 | TRANSMITTING CODE CHANGE | L |
| J2 | TRANSMITTING CODE CHANGE | H |
| J3 | TRANSMITTING CODE CHANGE | H |
| J4 | TRANSMITTING CODE CHANGE | H |
| J5 | DRY MODE | H |
| J6 | TEMPERATURE DISPLAY OF AUTOMATIC OPERATION | L |
| J7 | REMOTE CONTROL SELECTOR | H |
| J8 | CHANGE OF TEMPERATURE UNIT | H |
| J9 | AUTOMATIC OPERATION | H |
| J10 | HEATING MODE | H |
| J11 | 24-HOUR/12-HOUR | H |
| J12 | SUPER QUIET | H |
| J13 | CHANGE OF AUTOMATIC OPERATION DISPLAY | H |
| J14 | FAN MODE | H |

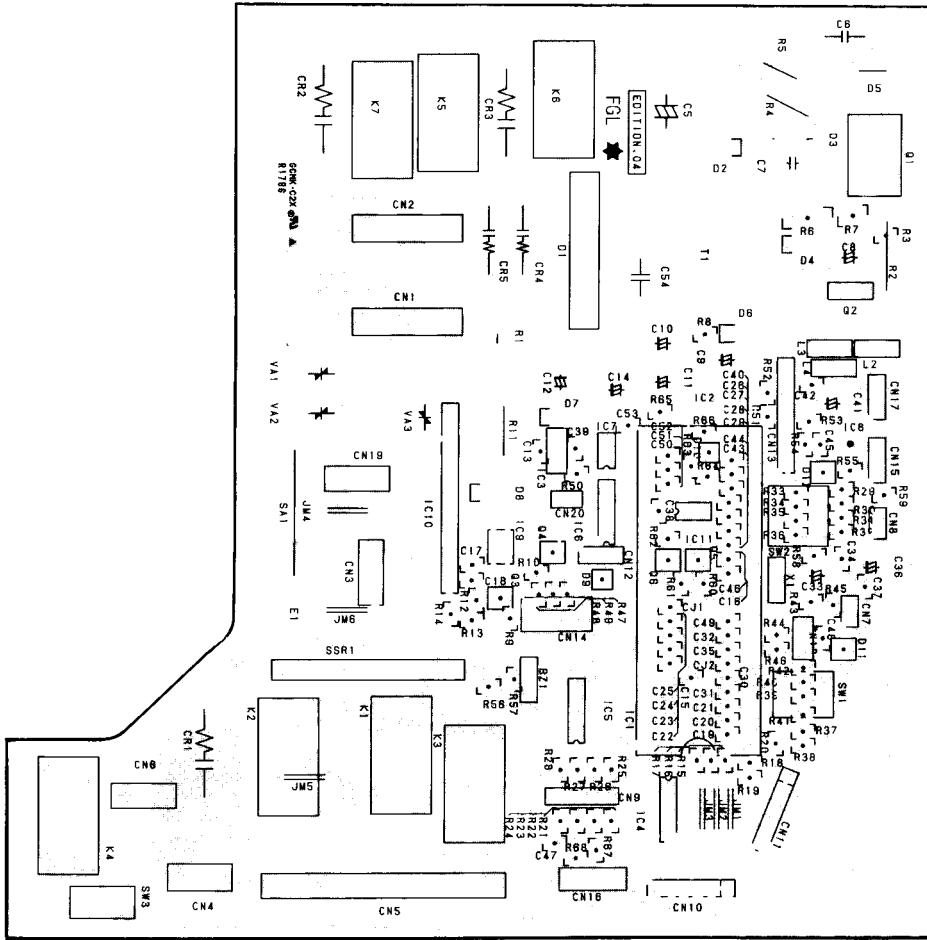
L : FIXED TO LOW LEVEL

H : FIXED TO HIGH LEVEL

P.C. BOARD LAYOUTS

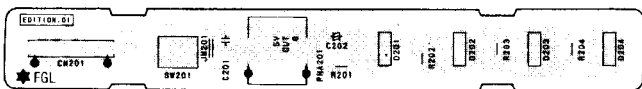
CONTROLLER P.C. BOARD ASSEMBLY

(Viewed from the solder side)



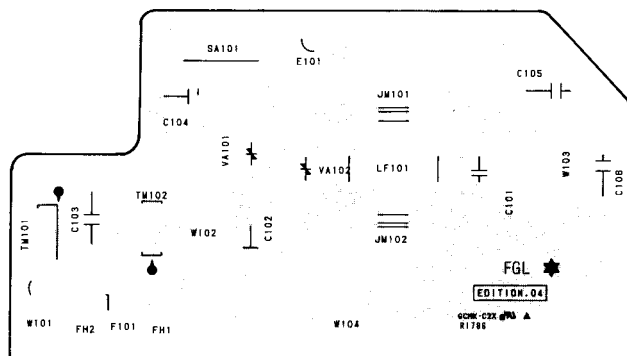
INDICATOR P.C. BOARD ASSEMBLY

(Viewed from the solder side)



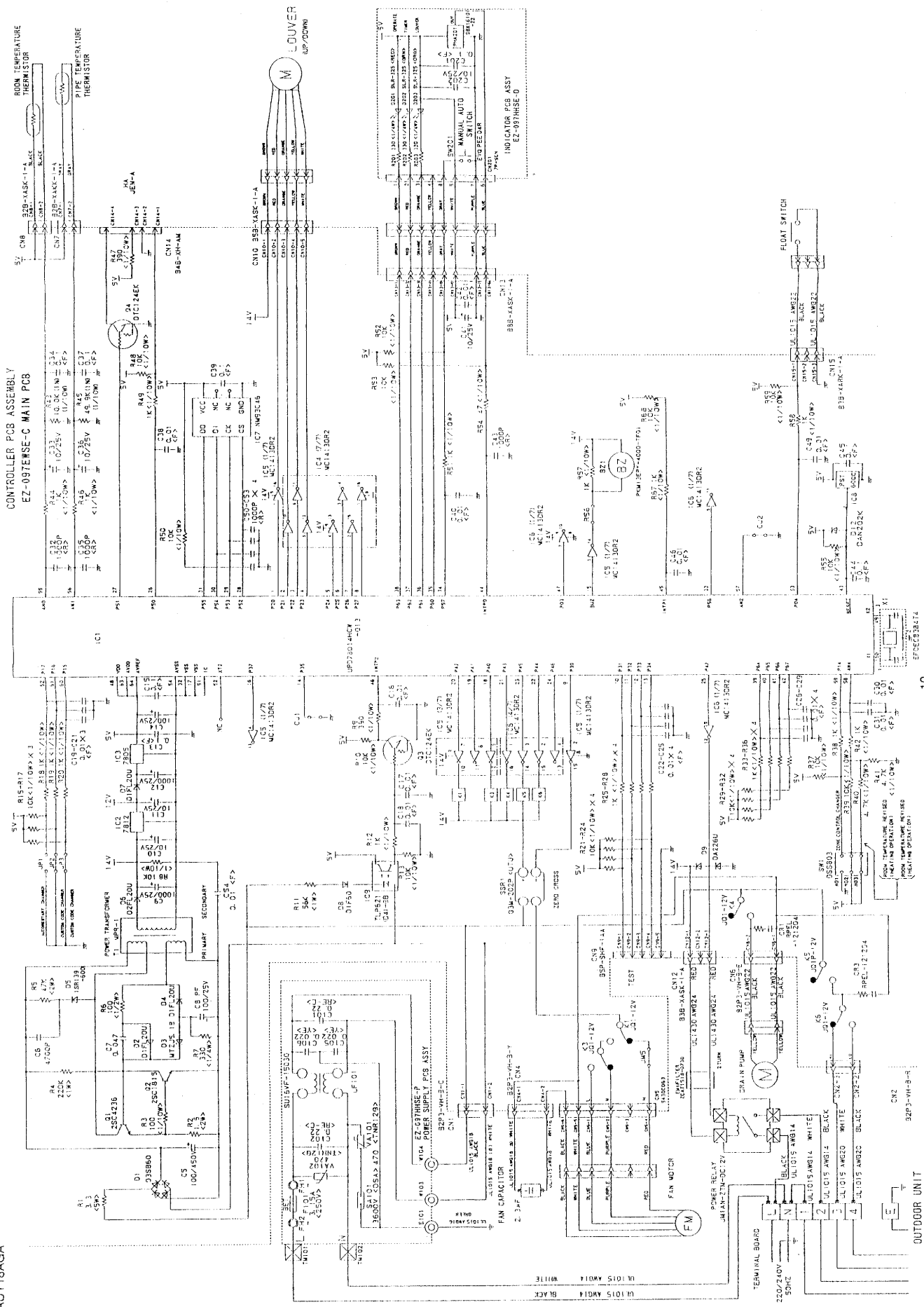
FILTER P.C. BOARD ASSEMBLY

(Viewed from the solder side)



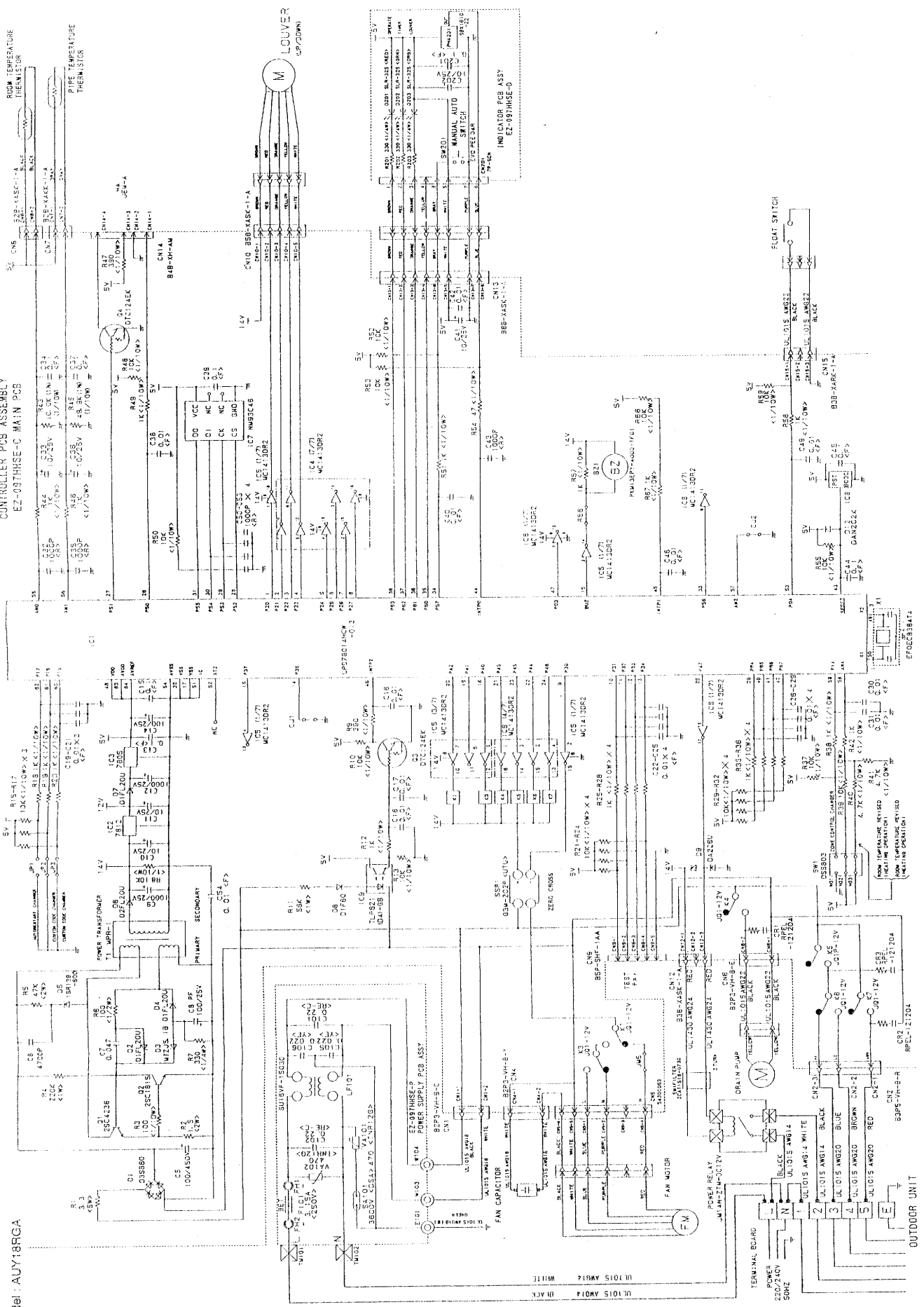
INDOOR PRINTED CIRCUIT BOARD CIRCUIT DIAGRAM

Model: AUY18AGA



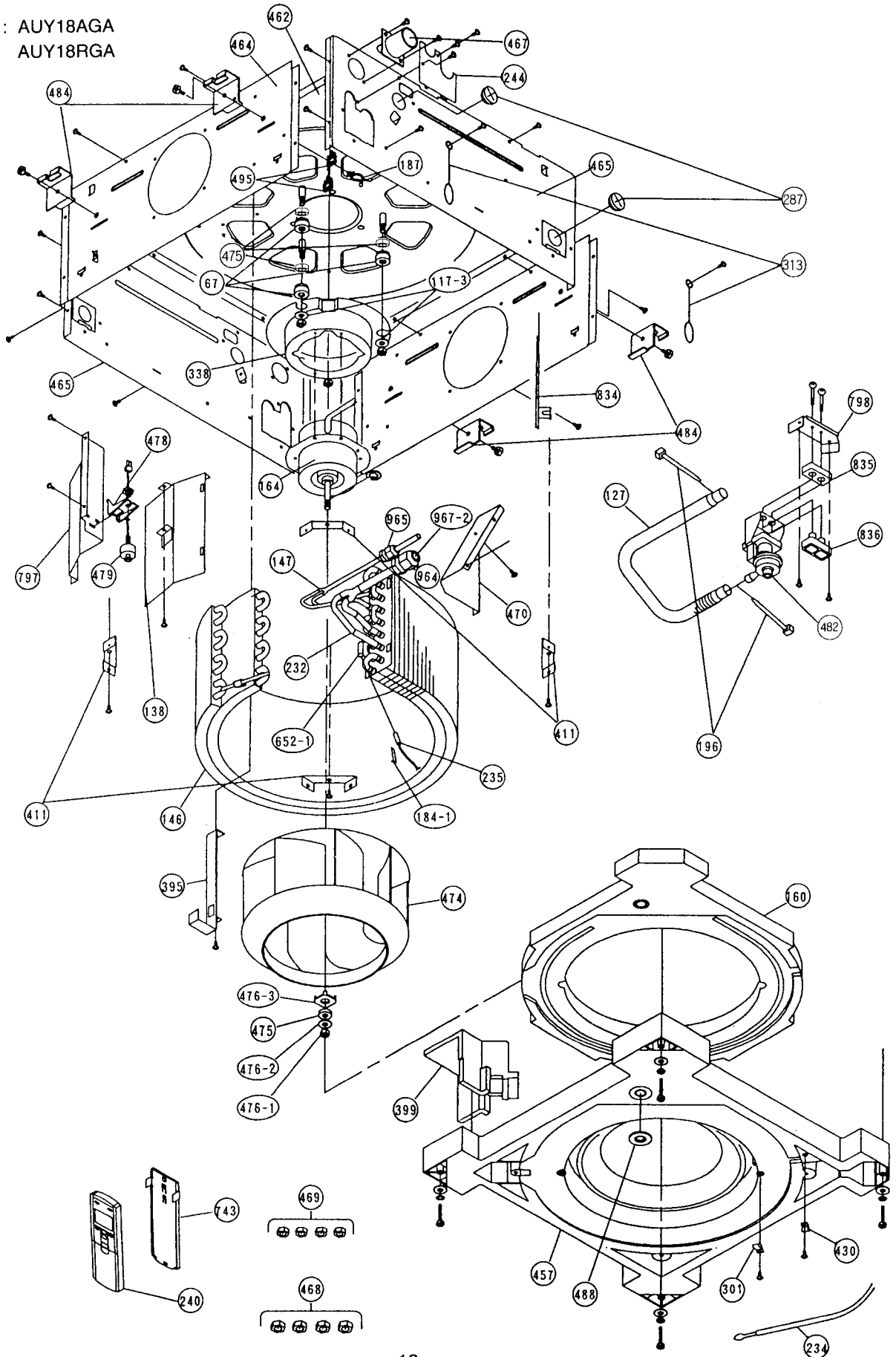
Model: AU18RGA

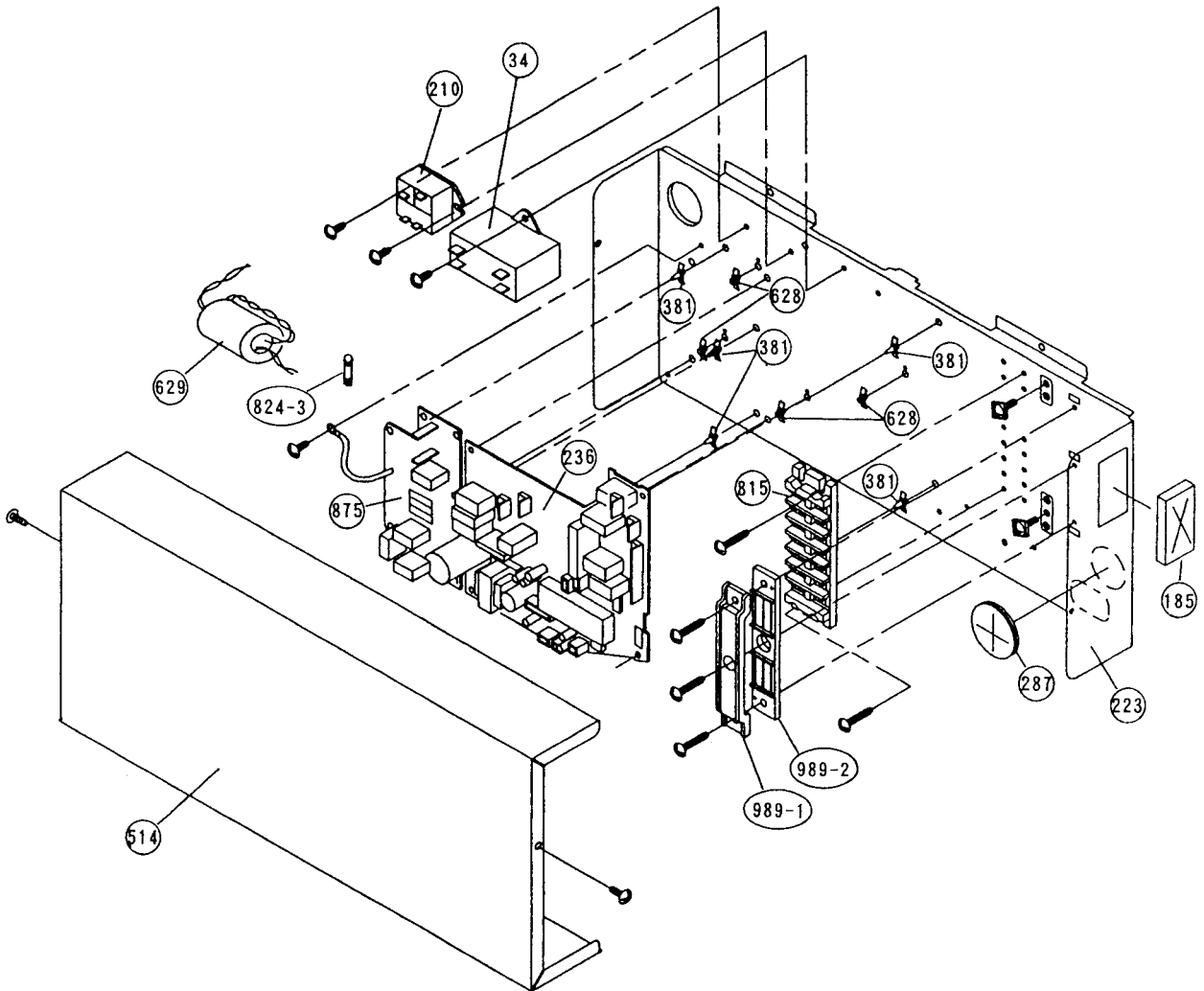
CONTROLLER PCB ASSEMBLY
EZ-097HSE-C MAIN PCB



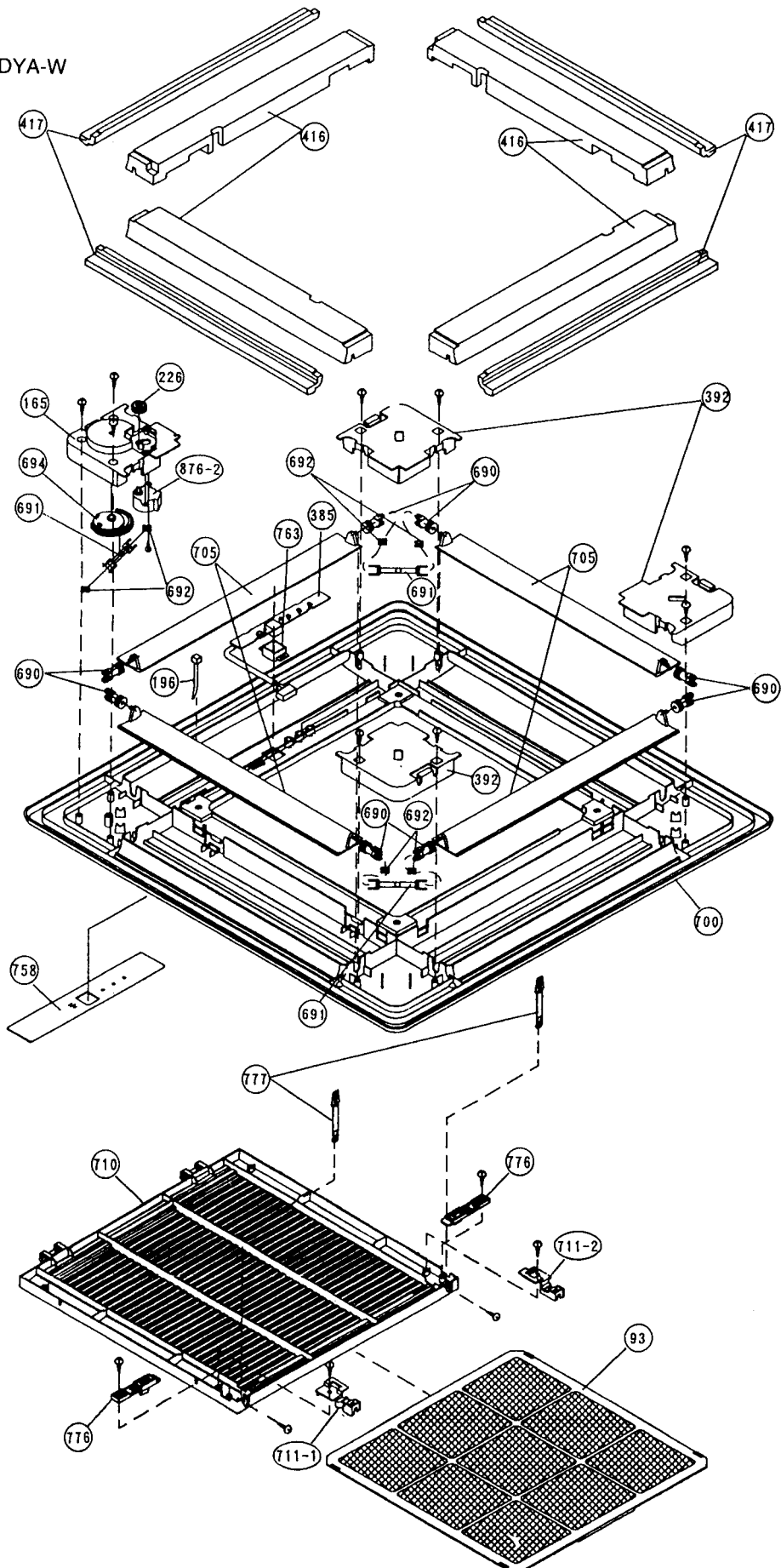
DISASSEMBLY ILLUSTRATION

Models : AUY18AGA
AUY18RGA

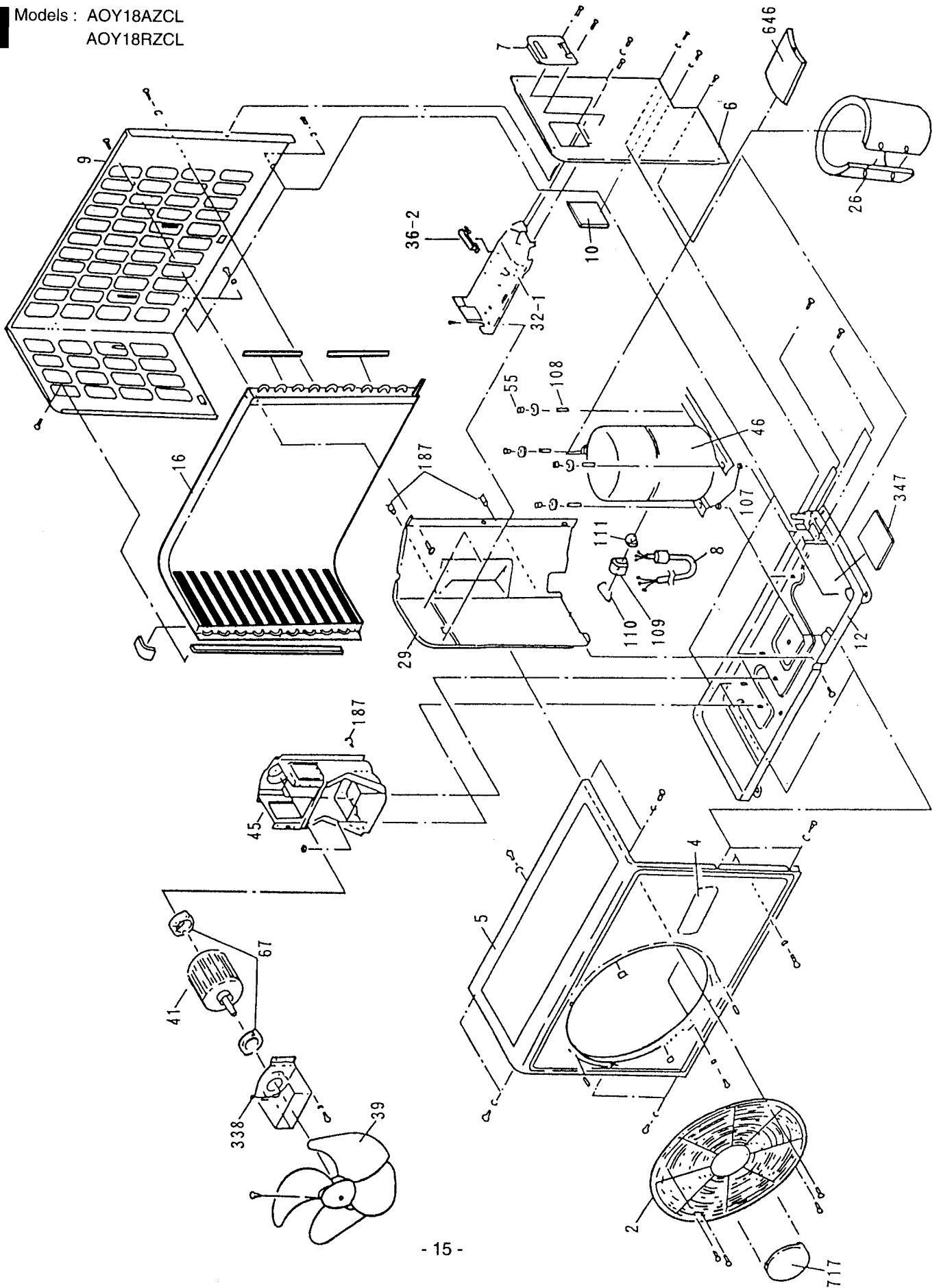




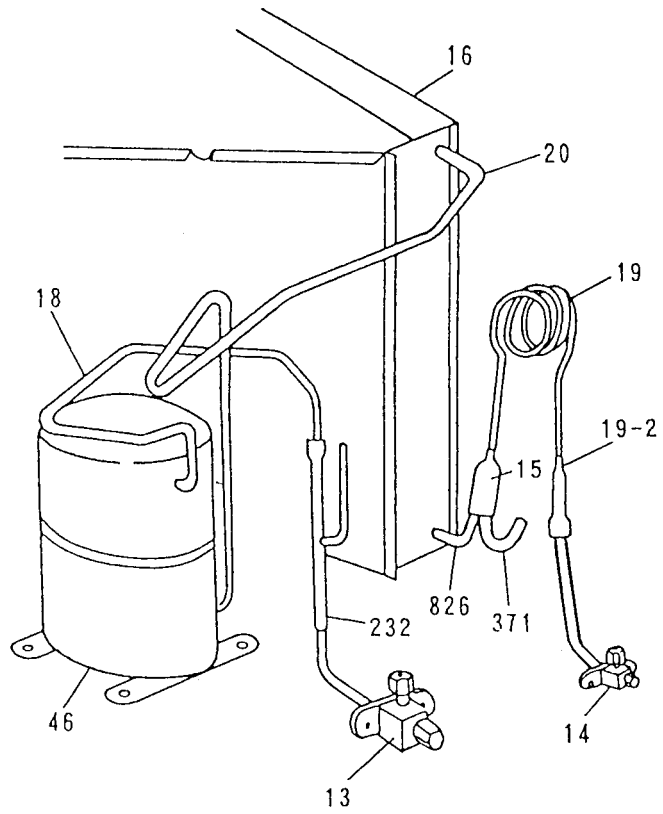
Model : UTG-UDYA-W



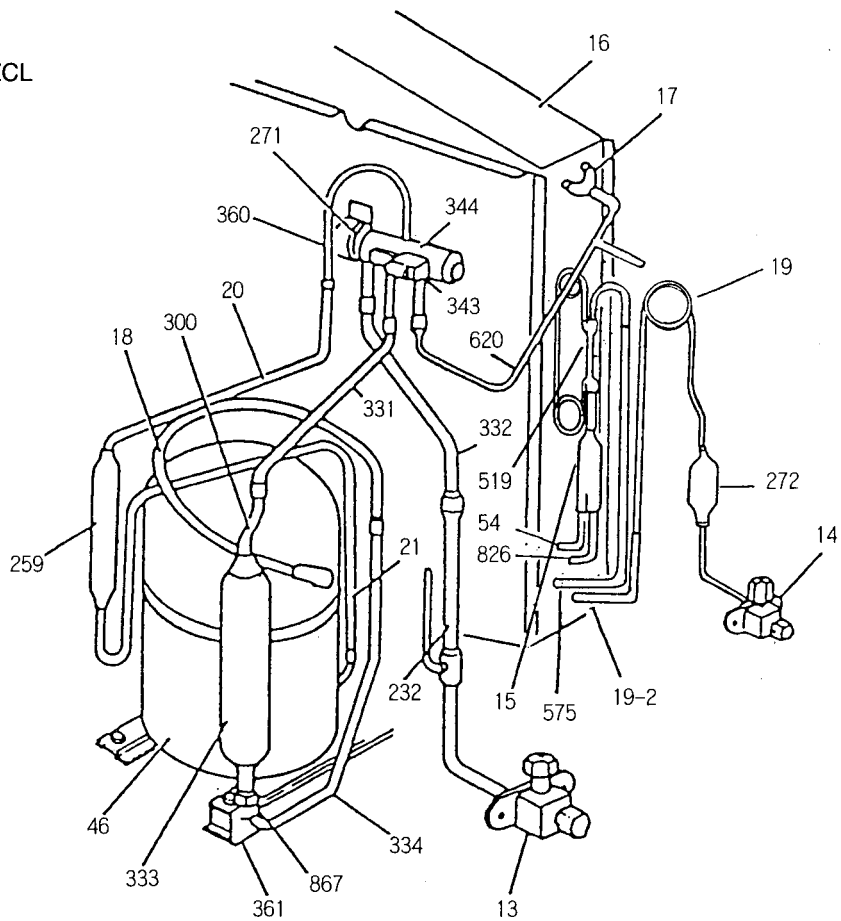
Models : AOY18AZCL
AOY18RZCL



Model : AOY18AZCL

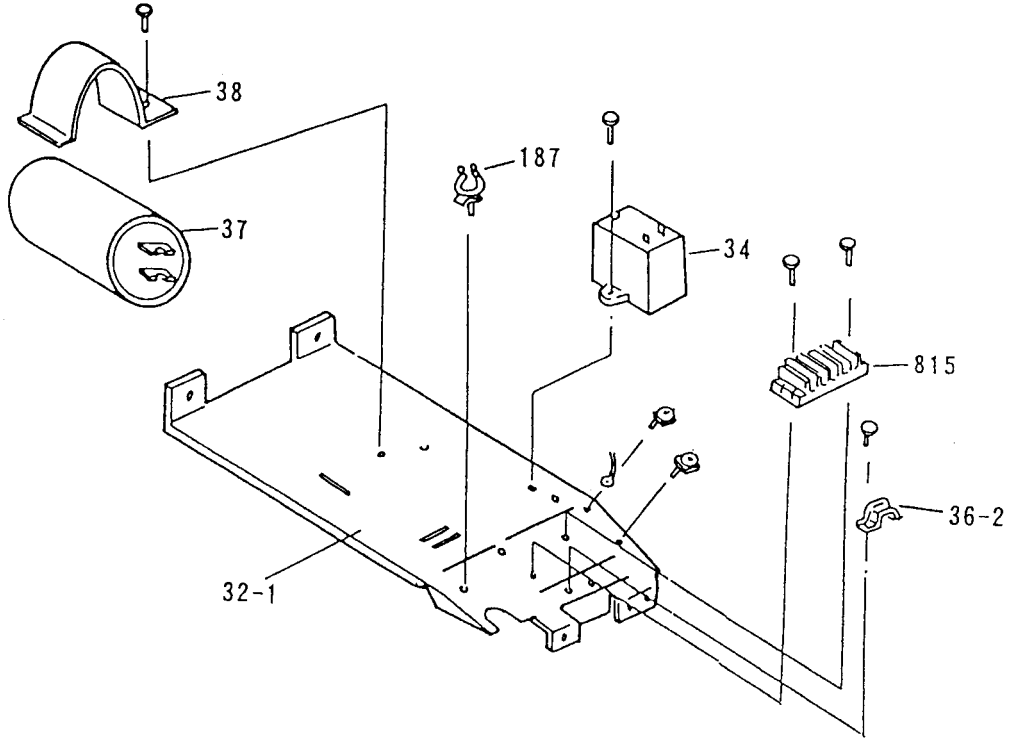


Model : AOY18RZCL



CONTROL UNIT

Models : AOY18AZCL
AOY18RZCL



PARTS LIST

When you order parts, please make a photocopy of this page and fill the number of the parts in the "Order" column.

OUTDOOR UNIT

| Ref. No. | Description | Part No. | | Order Q' ty | Ref. No. | Description | Part No. | | Order Q' ty |
|----------|--------------------------|--------------|--------------|-------------|----------|------------------------------|--------------|--------------|-------------|
| | | AOY18AZCL | AOY18RZCL | | | | AOY18AZCL | AOY18RZCL | |
| 2 | Fan Cover | 9350214020 | 9350214020 | | 55 | Special Nut M8 (For Comp.) | 313252257701 | 313252257701 | |
| 4 | Emblem-Rear "FUJITSU" | 9351355005 | 9351355005 | | 67 | Rubber | 313659068604 | 313659068604 | |
| 5 | Cabinet-A, Painted | 9303876015 | 9303876015 | | 107 | Rubber Seat-A (For Comp.) | 313093081402 | 313093081402 | |
| 6 | Cabinet-C, Painted | 9353549013 | 9353549013 | | 108 | Sleeve-A (For Comp.) | 313093081706 | 313093081706 | |
| 7 | Connector Cover | 9358011010 | 9358011010 | | 109 | Terminal Cover (For Comp.) | 313202059600 | 313202059600 | |
| 8 | Wire Assy (Shield)-D | 9350215010 | 9350215010 | | 110 | Lock Wire | 313202059706 | 313202059706 | |
| 9 | Cabinet-B, Painted | 9303874011 | 9303874011 | | 111 | Terminal Packing | 313202059807 | 313202059807 | |
| 10 | Noise Insulation-E | 313791106305 | 313791106305 | | 187 | Clamp No.1219 | 313361271706 | 313361271706 | |
| 12 | Base Assy, Painted | 9353452016 | 9353452016 | | 232 | Pipe Assy | 9355642002 | 9355642002 | |
| 13 | 3-Way Valve Assy | 9358022016 | 9358022016 | | 259 | Muffler | ----- | 313755083903 | |
| 14 | 2-Way Valve | 9358023013 | 9358023013 | | 271 | 4-Way Valve Rubber | ----- | 313728251908 | |
| 15 | Dryer | 313791082502 | 9361107007 | | 272 | Strainer | ----- | 313791086401 | |
| 16 | Condenser Assy | 9353455055 | 9361079007 | | 300 | Suction Pipe - C | ----- | 9350358014 | |
| 17 | U-Pipe (Y) | ----- | 313728127102 | | 331 | Suction Pipe - D | ----- | 9350359011 | |
| 18 | Suction Pipe | 9360518002 | 9351590017 | | 332 | Suction Pipe - E | ----- | 9356450002 | |
| 19 | Capillary Tube | 9355641005 | 9361078000 | | 333 | Accumulator | ----- | 9350363018 | |
| 19-2 | Joint Pipe (Capillary) | 9355644006 | 9361070004 | | 334 | Suction Pipe - B | ----- | 9351591014 | |
| 20 | Discharge Pipe | 9360522009 | 9358635001 | | 338 | Motor Fixture | 313029297108 | 313029297108 | |
| 21 | Discharge Pipe-B | ----- | 9358634004 | | 343 | Solenoid Coil | ----- | 9359616092 | |
| 26 | Compressor Cover | 9354036000 | 9354036000 | | 344 | 4-Way Valve | ----- | 313943302804 | |
| 29 | Separate Wall | 313986033213 | 313986033213 | | 347 | Noise Insulation-D | 313712304109 | 313712304109 | |
| 32-1 | Control Box Metal-A | 9353595003 | 9353595003 | | 360 | 4-Way Valve Band | ----- | 313986251802 | |
| 34 | Capacitor (Fan Motor) | 9357965024 | 9357965024 | | 361 | Accumulator Support | ----- | 313986353804 | |
| 36-2 | Cord Holder Metal | 9356362008 | 9356362008 | | 371 | Process Pipe-B | 313142082352 | ----- | |
| 37 | Running Capacitor | 9357211015 | 9357211015 | | 519 | Check Valve Assy | ----- | 9361076006 | |
| 38 | Capacitor Clamp | 313791061807 | 313791061807 | | 575 | Condensing Pipe-C | ----- | 9361069008 | |
| 39 | Propeller Fan Assy | 9300855013 | 9300855013 | | 620 | Inlet Pipe (Cond.) Assy | ----- | 9361072008 | |
| 41 | Fan Motor Assy-Out | 9351333096 | 9351333096 | | 646 | Compressor Cover-B | 313986355101 | 313986355101 | |
| 45 | Motor Fixing Table Assy | 313029311100 | 313029311100 | | 717 | Center Plate | 9350216017 | 9350216017 | |
| 46 | Compressor Assy | 9360509055 | 9360509055 | | 815 | Terminal-5P | 9356497021 | 9356497021 | |
| 54 | Condensing Pipe | ----- | 9300557016 | | 826 | Condensing Pipe-B | 9353601001 | 9300558013 | |
| | | | | | 867 | Accumulator HLD. Rubber | ----- | 9354022027 | |

When you order parts, please make a photocopy of this page and fill the number of the parts in the "Order" column.

INDOOR UNIT

| Ref. No. | Description | Part No. | | Order Q'ty | Ref. No. | Description | Part No. | | Order Q'ty |
|----------|---------------------------|--------------|--------------|------------|----------|---------------------------------|--------------|--------------|------------|
| | | AUY18AGA | AUY18RGA | | | | AUY18AGA | AUY18RGA | |
| 34 | Capacitor (Fan Motor) | 9357965017 | 9357965017 | | 467 | Drain Port | 313005415658 | 313005415658 | |
| 67 | Rubber | 9359657002 | 9359657002 | | 468 | Special Nut-A (Large) | 313005446653 | 313005446653 | |
| 117-3 | Special Washer M6 | 313306391007 | 313306391007 | | 469 | Special Nut-B (Small) | 313005446759 | 313005446759 | |
| 127 | Drain Hose | 9359659013 | 9359659013 | | 470 | Separate Wall-B | 9359648000 | 9359648000 | |
| 138 | Separate Wall-A | 9359647003 | 9359647003 | | 474 | Turbo Fan | 9359658009 | 9359658009 | |
| 146 | Evaporator Assy | 9360640017 | 9360640017 | | 475 | Turbo Fan Rubber | 313005445054 | 313005445054 | |
| 147 | Inlet Pipe (Eva.) Assy | 9360010018 | 9360010018 | | 476-1 | Special Nut-M8 | 313005360755 | 313005360755 | |
| 160 | Drain Pan | 9359651000 | 9359651000 | | 476-2 | Special Washer | 301801185049 | 301801185049 | |
| 164 | Fan Motor Assy-IN | 9360877017 | 9360877017 | | 476-3 | Special Washer | 9359954002 | 9359954002 | |
| 184-1 | Thermo. Spring-A | 313728262708 | 313728262708 | | 478 | Sensor M. Bracket | 9359654001 | 9359654001 | |
| 185 | Rubber Bushing | 313005066051 | 313005066051 | | 479 | Float Switch | 313005416154 | 313005416154 | |
| 187 | Clamp No. 1219 | 313361271706 | 313361271706 | | 482 | Pump Unit | 9359974000 | 9359974000 | |
| 196 | Clamp SKB-150 | 313035356905 | 313035356905 | | 484 | Hanger Metal | 9359644002 | 9359644002 | |
| 210 | Main Relay | 9356781007 | 9356781007 | | 488 | Drain Pan Plug | 9359653004 | 9359653004 | |
| 223 | Control Box | 9359661016 | 9359661016 | | 495 | Clamp No. 2U46 | 9352715006 | 9352715006 | |
| 232 | Outlet Pipe (Eva.) Assy | 9360011015 | 9360011015 | | 514 | Control Box Cover | 9359662006 | 9359662006 | |
| 234 | Thermistor Assy | 9701946037 | 9701946037 | | 628 | Locking Spacer-B | 313005446558 | 313005446558 | |
| 235 | Thermistor Assy-Pipe | 9701947027 | 9701947027 | | 629 | EMI Filter | 0400056133 | 0400056133 | |
| 236 | Controller PCB Assy | 9701941155 | 9701941193 | | 652-1 | Therm. Holder Pipe | 313806262805 | 313806262805 | |
| 240 | Remote Control Unit | 9359913047 | 9359913030 | | 743 | Remote Control Unit Holder Case | 9359955016 | 9359955016 | |
| 244 | Pipe Cover | 9359646006 | 9359646006 | | 797 | Separate Wall-C | 9359649007 | 9359649007 | |
| 287 | Cap (Power) | 9352173011 | 9352173011 | | 798 | Pump Hook Bracket | 9359650003 | 9359650003 | |
| 301 | Clamp NK-2N | 313985355201 | 313985355201 | | 815 | Terminal-7P | 9358660102 | 9358660102 | |
| 313 | Hooking Wire | 9359983002 | 9359983002 | | 824-3 | Fuse | 0600222512 | 0600222512 | |
| 338 | Motor Fixture | 9359656005 | 9359656005 | | 834 | Wire Cover | 9359878001 | 9359878001 | |
| 381 | Locking Spacer | 313209391506 | 313209391506 | | 835 | Cushion-A (For Pump) | 9352211003 | 9352211003 | |
| 395 | Supporter (Eva.) | 9359669005 | 9359669005 | | 836 | Cushion-B (For Pump) | 9356084016 | 9356084016 | |
| 399 | Air Duct | 9359660002 | 9359660002 | | 875 | Filter PCB Assy | 9702326012 | 9702326012 | |
| 411 | Supporter-A | 9359655008 | 9359655008 | | 964 | Flare Nut-A | 313996239804 | 313996239804 | |
| 430 | Clamp NK-7N | 313095365602 | 313095365602 | | 965 | Flare Nut-B | 9351062019 | 9351062019 | |
| 457 | Drain Pan Support | 9359652007 | 9359652007 | | 967-2 | Bonnet-B | 9301858006 | 9301858006 | |
| 462 | Top Cover Plate | 9359642015 | 9359642015 | | 989-1 | Cord Clamp-A | 9359822011 | 9359822011 | |
| 464 | Body-A | 9359643005 | 9359643005 | | 989-2 | Cord Clamp-B | 9359823018 | 9359823018 | |
| 465 | Body-B | 9359645009 | 9359645009 | | | | | | |

GRILLE ASSY (UTG-UDYA-W)

| Ref. No. | Description | Part No. | Ord. Q'ty | Ref. No. | Description | Part No. | Ord. Q'ty |
|----------|----------------------|--------------|-----------|----------|--------------------|------------|-----------|
| 93 | Filter | 9359632009 | | 694 | Cam Gear | 9359628002 | |
| 165 | Motor Cover | 9359623014 | | 700 | Panel | 9359619017 | |
| 196 | Clamp SKB-150 | 313035356905 | | 705 | Louver | 9359624011 | |
| 226 | Motor Gear | 9359629009 | | 710 | Intake Grille | 9359631019 | |
| 385 | Indicator PCB Assy | 9702224011 | | 711-1 | Filter Clamp-A | 9359634003 | |
| 392 | Cover-A | 9359622017 | | 711-2 | Filter Clamp-B | 9359635000 | |
| 416 | Insulation (Panel)-A | 9359620006 | | 758 | Decoration Plate-A | 9360039019 | |
| 417 | Insulation (Panel)-B | 9359621003 | | 763 | Receiver Cover | 9359630005 | |
| 690 | Joint-A | 9359626008 | | 776 | Grille Stopper | 9359633013 | |
| 691 | Joint-B | 9359627005 | | 777 | Grille Hook | 9359761006 | |
| 692 | Joint Shaft | 9359625001 | | 876-2 | Step Motor-V | 9360307019 | |

When you order parts, please make a photocopy of this page and fill the number of the parts in the "Order" column.

CONTROLLER PCB ASSEMBLY (Ref. No.236)

() :Reverse cycle model

| Ref. No. | Description | Part No. | Ord. Q'ty | Ref. No. | Description | Part No. | Ord. Q'ty |
|---|--------------------------------------|------------|-----------|-----------------------|--------------------------------|------------|-----------|
| IC1 | IC μ PD78014CHW-013 | 9702426026 | | CJ1,2 | Res. 0 Ω | 0200212012 | |
| IC2 | IC NJM7812FA | 0100462104 | | C5 | Cap. Elec. 450V 100 μ F | 0200212425 | |
| IC3 | IC MCT7805CT | 0100649215 | | C6 | Cap. Plastic 4700pF | 0300269091 | |
| IC4-6 | Xstr μ PA2003GR | 0100028041 | | C7 | Cap. Plastic 50V 0.047 μ F | 0300169339 | |
| IC7 | IC NM93C46M8-X | 0101622026 | | C8 | Cap. Elec. 25V 100 μ F | 0301197560 | |
| IC8 | IC PST600CMTR | 0101461120 | | C9 | Cap. Elec. 25V 1000 μ F | 0301196495 | |
| IC9 | Photocoupler TLP621(D4)-GB | 0000117074 | | C10,11,33,36,41 | Cap. Elec. 25V 10 μ F | 0301192312 | |
| Q1 | Xstr 2SC4236 | 0000164047 | | C12 | Cap. Elec. 25V 1000 μ F | 0301158264 | |
| Q2 | Xstr 2SC1815 | 0000020111 | | C13,15,34,37,39,44,45 | Cap. Ceramic 50V 0.1 μ F | 0300311752 | |
| Q3,4 | Xstr DTC124EK | 0000517034 | | C14 | Cap. Elec. 25V 100 μ F | 0301192350 | |
| D1 | Diode D3SB60 | 0000689045 | | C16-31,38,40,42,46,49 | Cap. Ceramic 50V 0.01 μ F | 0300311738 | |
| D2,4,7 | Diode D1FL20U | 0000746519 | | C32,35,43,50-53 | Cap. Ceramic 50V 1000pF | 0300308509 | |
| D3 | Diode MTZJ5.1B | 0000852166 | | C54 | Cap. Ceramic 50V 0.01 μ F | 0300727539 | |
| D5 | Diode 1SR139-600 | 0000353120 | | K1,3,4 | Relay JQ1-12V | 9701316014 | |
| D6 | Diode D2FL20U | 0000906500 | | (K5) | Relay JQ1P-12V | 9701794010 | |
| D8 | Diode D1F60 | 0000208024 | | (K6,7) | Relay JQ1-12V | 9701316014 | |
| D9 | Diode DA226U | 0000625036 | | SSR1 | Relay G3M-202P-UTU | 9701829019 | |
| D12 | Diode DAN202K | 0000684019 | | SW1 | Switch, Slide DSS803 | 9701392018 | |
| R1 | Res.Cement 5W 3.3 Ω \pm 10% | 0200153148 | | T1 | Switching Transformer MPR-1 | 9701976010 | |
| R2 | Res.Metal 2W 1.5 Ω \pm 5% | 0201107119 | | X1 | Ceramic Resonator EFOEC8384T4 | 9701261017 | |
| R3 | Res. 1/10W 100 Ω \pm 5% | 0200212500 | | BZ1 | Buzzer PKM13EPY-4000-TF01 | 9701298013 | |
| R4 | Res.Carbon 1W 220 Ω \pm 5% | 0200111353 | | CR1 | Network RPEL-121204 | 9701125012 | |
| R5 | Res.Metal 2W 47k Ω \pm 5% | 0201107652 | | (CR2,3) | Network RPEL-121204 | 9701125012 | |
| R6 | Res. 1/2W 100 Ω \pm 5% | 0200731506 | | CN1 | Plug, PCB B2P3-VH-B-C | 0500011773 | |
| R7 | Res. 1/4W 330 Ω \pm 5% | 0200708621 | | (CN2) | Plug, PCB B3P5-VH-B-R | 0500011803 | |
| R8,10,13,15-17,21-24,29-32,37,39,48,50,52,53,55,59,68 | Res. 1/10W 390 Ω \pm 5% | 0200212647 | | CN4 | Plug, PCB B2P3-VH-B-Y | 0500011827 | |
| R9,47 | Res.Metal 1W 56k Ω \pm 5% | 0201106662 | | CN5 | Plug, PCB 5430C063 | 0500957026 | |
| R11 | Res. 1/10W 1k Ω \pm 5% | 0200212746 | | CN6 | Plug, PCB B2P3-VH-B-E | 0500011759 | |
| R12,18-20,25-28,33-36,38,42,44,46,49,51,56-58,67 | Res. 1/10W 4.7k Ω \pm 5% | 0200212906 | | CN7 | Plug, PCB B2B-XAKK-1-A | 0501045227 | |
| R40,41 | Res. 1/10W 10k Ω \pm 1% | 0200279497 | | CN8 | Plug, PCB B2B-XASK-1-A | 0501045012 | |
| R43 | Res. 1/10W 49.9k Ω \pm 1% | 0200279824 | | CN9 | Plug, PCB B2P-SHF-1AA | 0500006069 | |
| R45 | Res. 1/10W 47 Ω \pm 5% | 0200212425 | | CN10 | Plug, PCB B5B-XASK-1-A | 0501045043 | |
| R54 | | | | CN12 | Plug, PCB B3B-XASK-1-A | 0501045029 | |
| | | | | CN13 | Plug, PCB B8B-XH-AM | 0501045074 | |
| | | | | CN14 | Plug, PCB B4B-XH-AM | 0500005314 | |
| | | | | CN15 | Plug, PCB B3B-XARK-1-A | 0501045319 | |





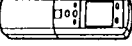
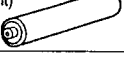
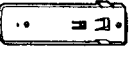

INDICATOR PCB ASSEMBLY (Ref. No.385)

| Ref. No. | Description | Part No. | Ord. Q'ty | Ref. No. | Description | Part No. | Ord. Q'ty |
|----------|--|------------|-----------|----------|-------------------------------------|------------|-----------|
| D201 | Diode SLR-325VC RED | 0000813259 | | PHA201 | Remote Control Amplifier SBX1610-22 | 0100417050 | |
| D202 | Diode SLR-235MC GRN | 0000813242 | | SW201 | Switch, EVQ-PAG-04K | 9700450016 | |
| D203 | Diode SLR-325DC ORG | 0000813235 | | CN201 | Wire w/Connector L=150 | 9702266011 | |
| C201 | Cap. Ceramic 0.1 μ F | 0300988251 | | | | | |
| C202 | Cap. Elec. 25V 10 μ F | 0300004258 | | | | | |
| R201-203 | Res. Cardon 1/4W 330 Ω \pm 5% | 0201038659 | | | | | |





FILTER PCB ASSEMBLY (Ref. No.875)

| Ref. No. | Description | Part No. | Ord. Q'ty | Ref. No. | Description | Part No. | Ord. Q'ty |
|-----------|----------------------------|------------|-----------|----------|---------------------------|------------|-----------|
| C101,102 | Cap. Plastic 0.22 μ F | 0300304099 | | LF101 | EMI Filter SU16VF-15030 | 0400134114 | |
| C105,106 | Cap. Plastic 0.022 μ F | 0301052098 | | F101 | Fuse BET3. 15A-250V | 0600222512 | |
| SA101 | Arrester DSA-362MA-05 | 0600168032 | | FH1,2 | Fuse Holder PFC5000-0502 | 0500158072 | |
| VA101,102 | Varistor TNR12G471K | 0000038010 | | E101 | Wire w/Terminal GRN L=100 | 9702313012 | |
| TM101,102 | Plug Contact 86028 | 0500536016 | | W103,104 | Wire #18 2P | 9702288013 | |




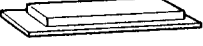
INDOOR UNIT ACCESSORIES

| Name and shape | Application | AUY18AGA | AUY18RGA |
|--|---|--------------|--------------|
| Coupler heat insulation  | For indoor side pipe joint | 9350716029 | 9350716029 |
| | | 9352766015 | 9352766015 |
| Special nut A (large flange)  | For installing indoor unit | 313005446653 | 313005446653 |
| Special nut B (small flange)  | For installing indoor unit | 313005446759 | 313005446759 |
| Template  | For ceiling hole cutting | 9360256003 | 9360256003 |
| Remote control unit  | Use for air conditioner operation | 9359913047 | 9359913030 |
| Battery (penlight)  | For remote control unit | 313187358304 | 313187358304 |
| Remote control unit holder  | For mounting the remote control unit | 9359955016 | 9359955016 |
| Trapping screw ($\phi 3 \times 12$)  | For remote control unit holder installation | 301141533125 | 301141533125 |

OUTDOOR UNIT ACCESSORIES

| Name and shape | Application | AOY18AZCL | AOY18RZCL |
|--|---|------------|--------------|
| Hexagon wrench  | For air purge | 9351228019 | 9351228019 |
| Pipe (drain)  | For outdoor unit drain piping work (Heat & Cool model only) | ————— | 313728031005 |
| Flexible tube  | For outdoor unit drain piping work (Heat & Cool model only) | ————— | 313013042915 |
| Cap (drain)  | For outdoor unit drain piping work (Heat & Cool model only) | ————— | 313166024302 |

GRILLE ACCESSORIES

| Name and shape | Application | Part No. |
|---|---------------------|--------------|
| Bolt  | For mounting grille | 9360120021 |
| Washer  | For mounting grille | 301801155020 |
| Spring washer  | For mounting grille | 301821150218 |
| Blower cover insulation  | For discharged air | 9360047007 |



FUJITSU
FUJITSU GENERAL LIMITED