

Refrigerant  
**R407C&R22**



# Ceiling Suspension Type (VRF System)


# INSTALLATION INSTRUCTION SHEET


(PART NO. 9367702022)

**This air conditioner uses R407C and R22.**

For authorized service personnel only.

 <b>WARNING!</b>	This mark indicates procedures which, if improperly performed, might lead to the death or serious injury of the user.
 <b>CAUTION!</b>	This mark indicates procedures which, if improperly performed, might possibly result in personal harm to the user, or damage to property.

 <b>WARNING</b>	
①	For the air conditioner to operate satisfactorily, install it as outlined in this installation instruction sheet.
②	Connect the indoor unit and outdoor unit with the air conditioner piping and cords available from our standard parts. This installation instruction sheet describes the correct connections using the installation set available from our standard parts.
③	Installation work must be performed in accordance with national wiring standards by authorized personnel only.
④	If refrigerant leaks while work is being carried out, ventilate the area. If the refrigerant comes in contact with a flame, it produces a toxic gas.
⑤	Do not turn on the power until all installation work is complete.
⑥	When installing or moving the air conditioner, use care not to charge it with the wrong refrigerant (such as R407C or R22).

 <b>CAUTION</b>	
Observe the following precautions when using R407C refrigerant.	
<ul style="list-style-type: none"><li>Do not use mineral oil on flared part. Prevent mineral oil from getting into the system as this would reduce the lifetime of the unit.</li><li>Never use piping which has been used for previous installations. Only use parts that are delivered with the unit.</li></ul>	

- Be careful not to scratch the air conditioner when handling it.
- After installation, explain correct operation to the customer, using the operating manual.
- Let the customer keep this installation instruction sheet because it is used when the air conditioner is serviced or moved.

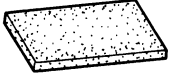




English



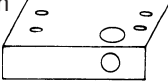

文

中

## STANDARD PARTS

The following installation parts are supplied. Use them as required.

Description	Q'ty	Application
Drain hose insulation 	1	Adhesive type 70 × 230
VT wire 	1	For fixing the drain hose L 280 mm
Coupler heat insulation (large) 	2	For indoor side pipe joint (large pipe)
Coupler heat insulation (small) 	1	For indoor side pipe joint (small pipe)
Nylon fastener 	Large 4	For fixing the coupler heat insulation
	Medium 4	
	Small 2	For power supply, transmission and remote control cord binding

Description	Q'ty	Application
Special nut A (large flange) 	4	For installing indoor unit
Special nut B (small flange) 	4	For installing indoor unit
Installation template 	1	For positioning the indoor unit
Auxiliary pipe 	1	For connecting the piping

# SELECTING THE MOUNTING POSITION

## ⚠ WARNING

Install at a place that can withstand the weight of the indoor and outdoor units and install positively so that the units will not topple or fall.

## ⚠ CAUTION

- ① Do not install where there is the danger of combustible gas leakage.
- ② Do not install the unit near a source of heat, steam, or flammable gas.
- ③ If children under 10 years old may approach the unit, take preventive measures so that they cannot reach the unit.

Decide the mounting position with the customer as follows:

- (1) Install the indoor unit level on a strong wall which is not subject to vibration.
- (2) The inlet and outlet ports should not be obstructed : the air should be able to blow all over the room.
- (3) Do not install the unit where it will be exposed to direct sunlight.
- (4) Install the unit where the connection pipe can be easily installed.
- (5) Install the unit where the drain pipe can be easily installed.
- (6) Take servicing, etc. into consideration and leave the spaces shown in (Fig. 1 or 2). Also install the unit where the filter can be removed.

## [FOR HALF CONCEALED INSTALLATION]

Fig. 1

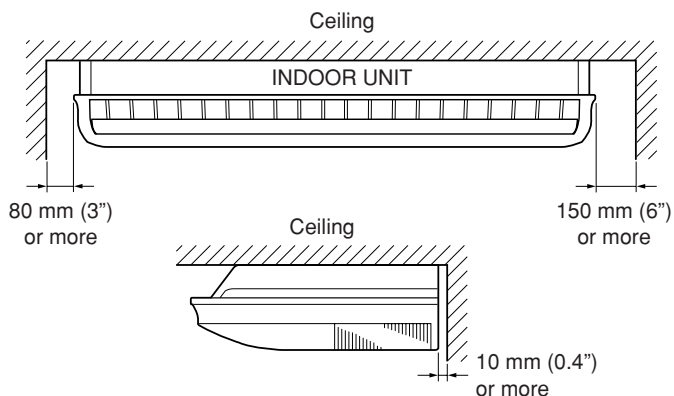


Fig. 2

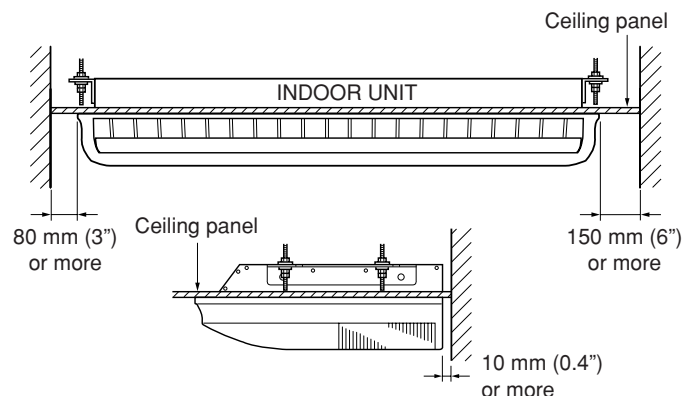
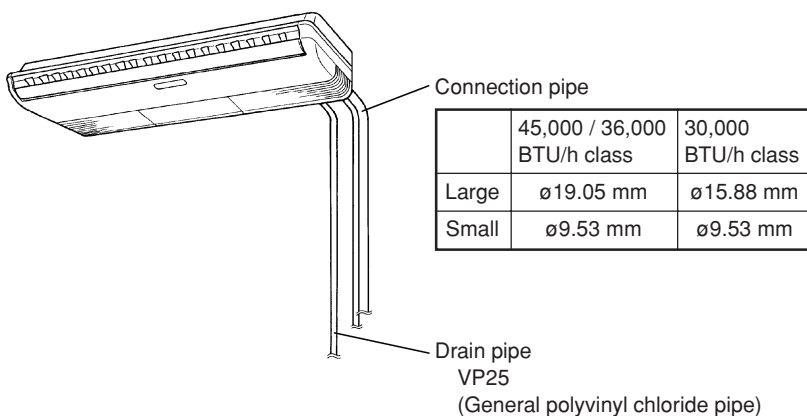


Fig. 3



## CONNECTION PIPE REQUIREMENT

(1) Connected to outdoor unit

**Table 1**

unit : mm

Capacity of outdoor unit	Suction Gas Pipe	Discharge Gas Pipe	Liquid Pipe
90	ø28.58 (1.2)	ø19.05 (1.0)	ø12.7 (0.8)

( ) : thickness

(2) Connected between two immediately adjacent refrigerant branch kits

**Table 2**

unit : mm

Total capacity of indoor unit	Suction Gas Pipe	Discharge Gas Pipe	Liquid Pipe
Less than 30	ø15.88 (1.0)	ø12.7 (0.8)	ø9.53 (0.8)
31 or more to 60	ø19.05 (1.0)	ø15.88 (1.0)	ø9.53 (0.8)
61 or more	ø28.58 (1.2)	ø19.05 (1.0)	ø12.7 (0.8)

( ) : thickness

(3) Connected to indoor unit

**Table 3**

unit : mm

Capacity of indoor unit	Gas Pipe	Liquid Pipe
7, 9	ø9.53 (0.8)	ø6.35 (0.8)
12, 14	ø12.7 (0.8)	ø6.35 (0.8)
18, 20, 24, 25	ø15.88 (1.0)	ø6.35 (0.8)
30	ø15.88 (1.0)	ø9.53 (0.8)
36, 45, 54, 60	ø19.05 (1.0)	ø9.53 (0.8)

( ) : thickness

\* Capacity: The number displayed on the model name for the indoor and outdoor units.

- Use pipe with water-resistant heat insulation.
- Use pipe that can withstand a pressure of 3,040 kPa.
- The discharge gas pipe is only connected on heat recovery models.

## ELECTRICAL REQUIREMENT

**Table 4**

<b>Power supply cord (mm<sup>2</sup>)</b>	<b>Maximum</b>	2.5	H07RN-F or equivalent
	<b>Minimum</b>	1.5	
<b>Transmission cord (mm<sup>2</sup>)</b>	<b>Maximum</b>	1.25	Shield cord (LONWORKS compatible part)
	<b>Minimum</b>	0.75	
<b>Remote control cord (mm<sup>2</sup>)</b>	<b>Maximum</b>	1.25	Sheathed vinyl cord or cable
	<b>Minimum</b>	0.75	
<b>Fuse capacity (A)</b>		20	

# INSTALLATION PROCEDURE

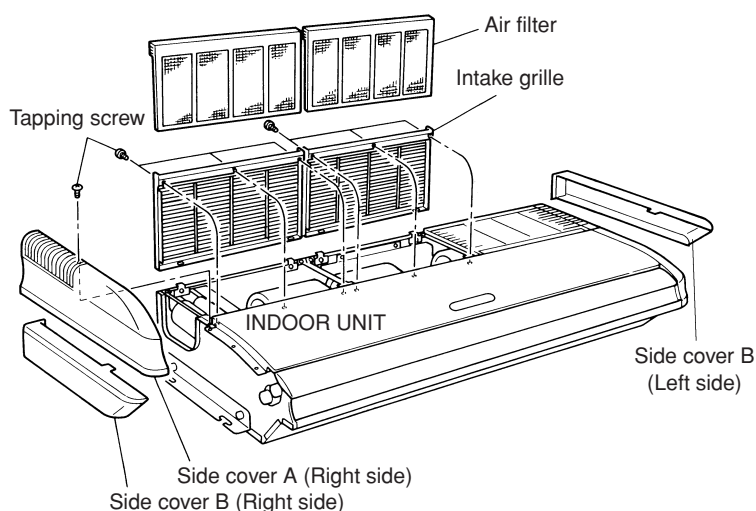
Install the air conditioner as follows.

## 1. PREPARING INDOOR UNIT INSTALLATION

### REMOVE THE INTAKE GRILLE AND SIDE COVER.

- (1) Remove the two Air filters (Fig. 4).
- (2) Remove the two Intake grilles (Fig. 4).
  - For ④ Left rear drain and ⑤ Left drain: Remove air filters and intake grilles at three places. (Refer to “2. INDOOR UNIT INSTALLATION”.)
- (3) Remove the Side cover A (Right side) and Side cover B (Right and Left side).
  - For ⑤ Left drain : Remove both the Side cover A (Right and Left side). (Refer to “2. INDOOR UNIT INSTALLATION”.)
- (4) This air conditioner can be set up to intake fresh air. For information about how to install for fresh-air intake, refer to “13. FRESH-AIR INTAKE”.

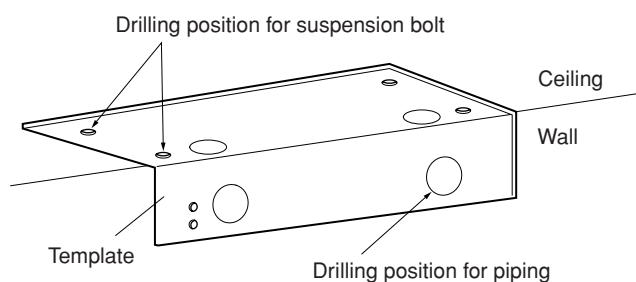
Fig. 4



## 2. INDOOR UNIT INSTALLATION

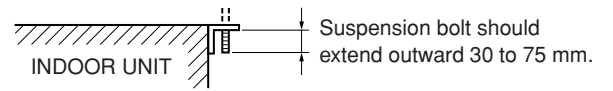
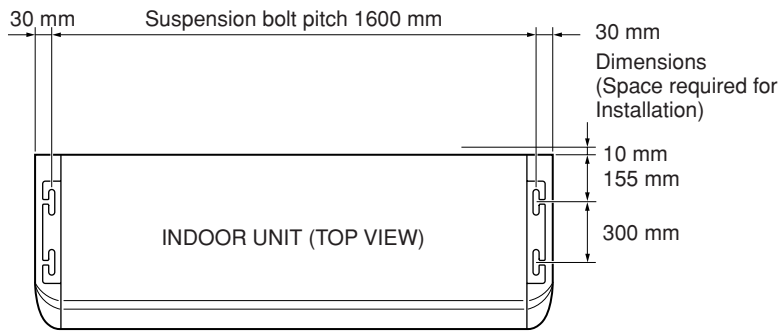
You can use the accessory template to help you install the indoor unit. The template helps you determine the appropriate locations for suspension bolts and pipe openings (drain pipe and connection cord).

Fig. 5



## 1. LOCATION OF CEILING SUSPENSION BOLTS

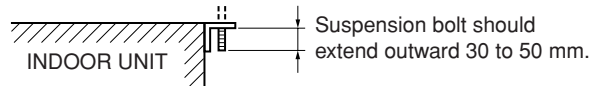
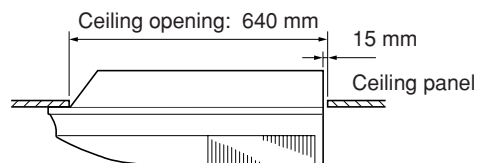
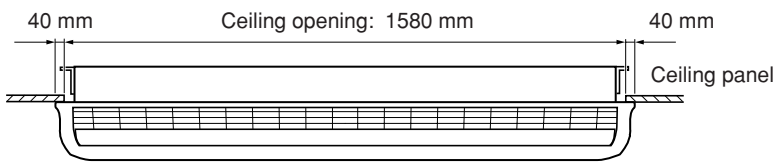
Fig. 6



### [For Half-Concealed Installation]

- Suspension-bolt pitch should be as shown in Fig. 6.

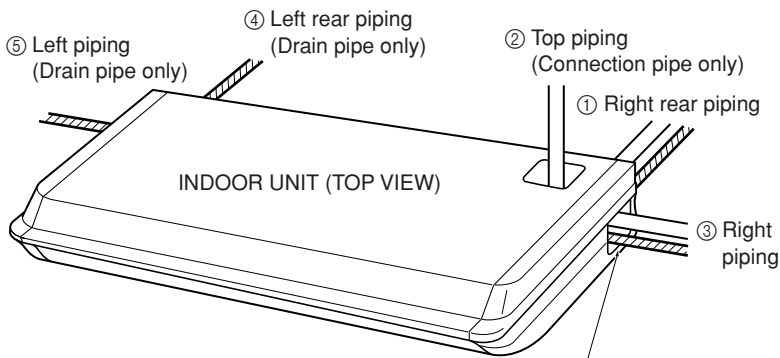
Fig. 7



## 2. SELECT PIPING DIRECTION

Select connection piping and drain piping directions (Fig. 8).

Fig. 8

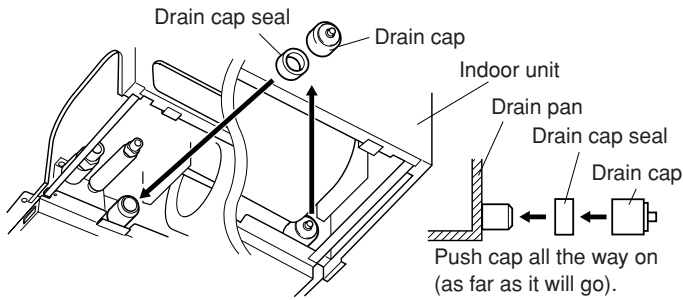


Cut off the piping outlet cutting groove with a hacksaw, etc.

**[For ④ Left rear piping, ⑤ Left piping]**

- Transfer the Drain cap and Drain cap seal.

**Fig. 9**

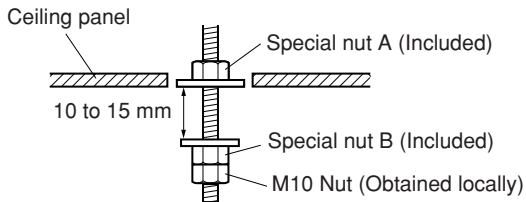


**3. DRILLING THE HOLES AND ATTACHING THE SUSPENSION BOLTS**

- (1) Drill  $\varnothing 25$  mm holes at the suspension-bolt locations.
- (2) Install the bolts, then temporarily attach Special nuts A and B and a normal M10 nut to each bolt. (The two special nuts are provided with the unit. The M10 nut must be obtained locally.) Refer to Fig. 10.

<b>Bolt Strength</b>	980 to 1470 N (100 to 150 kgf)
----------------------	--------------------------------

**Fig. 10**

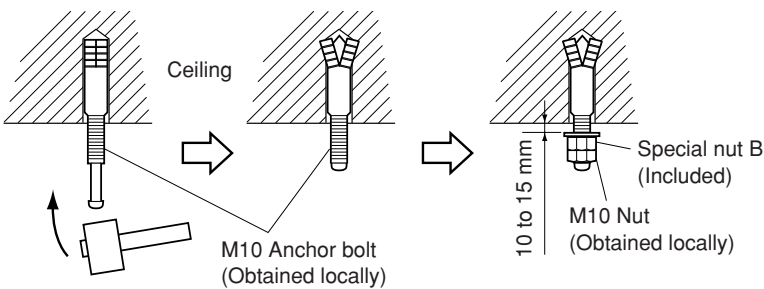


**[If using anchor bolts]**

- (1) Drill holes for anchor bolts at the locations at which you will set the suspension bolts. Note that anchor bolts are M10 bolts (to be obtained locally).
- (2) Install the anchor bolts, then temporarily attach special nut "B" (included) and a locally-procured M10 nut to each of the bolts. (See Fig. 11.)

<b>Anchor-Bolt Strength</b>	980 to 1470 N (100 to 150 kgf)
-----------------------------	--------------------------------

**Fig. 11**



#### 4. INSTALLING THE INDOOR UNIT

(1) Lift unit so that suspension bolts pass through the suspension fittings at the sides (four places), and slide the unit back (See Fig. 13).

Fig. 12

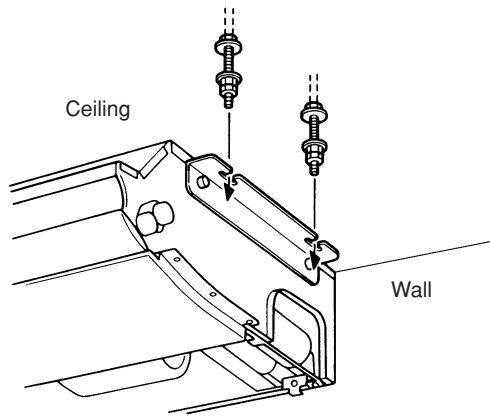
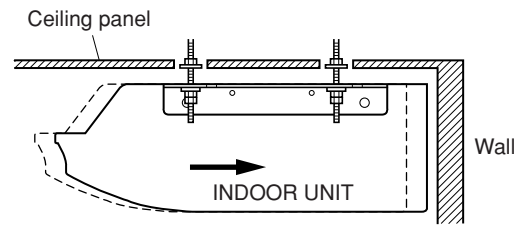


Fig. 13

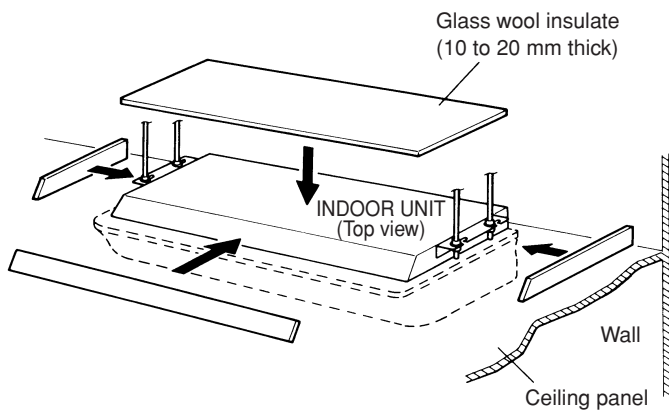


(2) Fasten the indoor unit into place by tightening-up the special "B" bolts and the M10 nuts. Make sure that unit is secure and will not shift back and forth.

#### [For Half-Concealed Installation]

When installing the indoor unit in a semi-concealed orientation, make sure to reinforce the insulation of the unit on all sides. Drops of water may fall from the unit if it is not thoroughly insulated.

Fig. 14



#### ⚠ CAUTION

In order to check the drainage, be sure to use a level during installation of the indoor unit. If the installation site of the indoor unit is not level, water leakage may occur.



### 3. CONNECTING THE PIPING

#### ⚠ CAUTION

While welding the pipes, be sure to blow dry nitrogen gas through them.

#### 1. FLARE PROCESSING

- (1) Cut the connection pipe with pipe cutters so that the pipe is not deformed.
- (2) Holding the pipe downwards so that cuttings cannot enter the pipe and remove the burrs.
- (3) Remove the flare nut from the indoor unit pipe and outdoor unit and assemble as shown in (Table 5) and insert the flare nut onto the pipe, and flare with a flaring tool.
- (4) Check if the flared part "L" (Fig. 15) is spread uniformly and that there are no cracks.

Table 5

Pipe	Flare nut
Small pipe (9.53 mm dia.)	Small (width across flats 22 mm)
Large pipe (15.88 mm dia.)	Large (width across flats 24 mm)
Large pipe (19.05 mm dia.)	Large (width across flats 36 mm)

Fig. 15

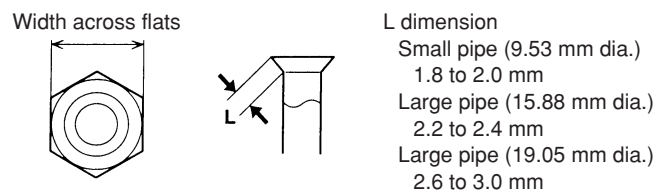


Fig. 16

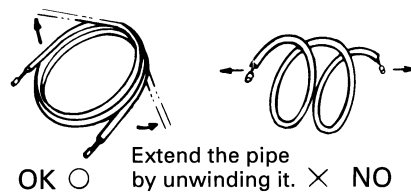


Fig. 17

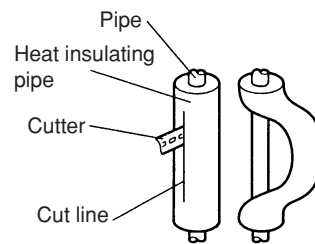
#### 2. BENDING PIPES

The pipes are shaped by your hands. Be careful not to collapse them.

Do not bend the pipes in an angle more than 90°.

When pipes are repeatedly bent or stretched, the material will harden, making it difficult to bend or stretch them any more. Do not bend or stretch the pipes more than three times.

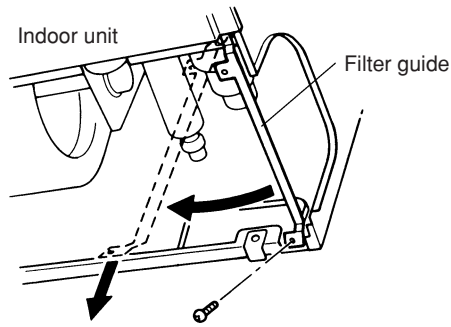
When bending the pipe, there is a possibility to collapse. In this case, cut the heat insulating pipe with a sharp cutter as shown in Fig. 17, and bend it after exposing the pipe. After bending the pipe as you want, be sure to put the heat insulating pipe back on the pipe, and secure it with tape.



### 3. CONNECTION PIPES

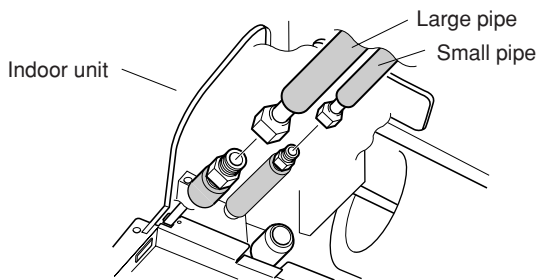
(1) Remove the filter guide (Fig. 18).

**Fig. 18**



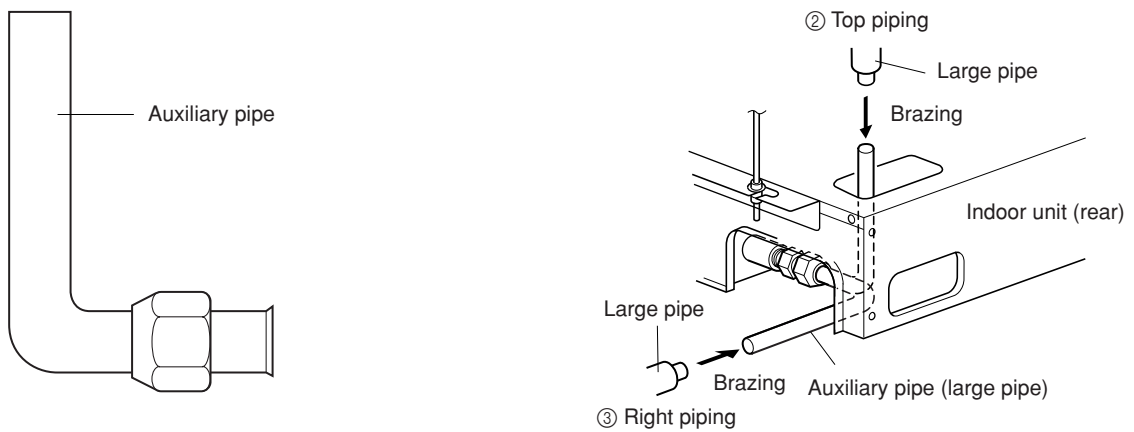
(2) Attach the connection pipe (Fig. 19).

**Fig. 19**



- For ② Top piping and ③ Right piping connections, use the Auxiliary pipe (large pipe) provided. Mount the flare nut and perform the flaring operation on the auxiliary pipe and then connect it to the indoor unit. Braze the connection pipe on the opposite end.

**Fig. 20**

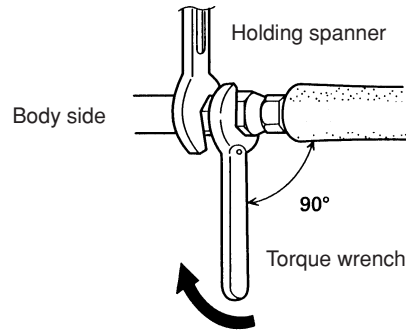


#### **CAUTION**

- ① Be sure to apply the pipe against the port on the indoor unit correctly. If the centering is improper, the flare nut cannot be tightened smoothly. If the flare nut is forced to turn, the threads will be damaged.
- ② Do not remove the flare nut from the indoor unit pipe until immediately before connecting the connection pipe.

When the flare nut is tightened properly by your hand, hold the body side coupling with a separate spanner, then tighten with a torque wrench (Fig. 21).

**Fig. 21**



**⚠ CAUTION**

**Hold the torque wrench at its grip, keeping it in the right angle with the pipe as shown in Fig. 21, in order to tighten the flare nut correctly.**

**Table 6: Flare nut tightening torque**

Pipe	Tightening torque
Small pipe (9.53 mm dia.)	310 to 350 kgf · cm (30.4 to 34.3 N · m)
Large pipe (15.88 mm dia.)	750 to 800 kgf · cm (73.5 to 78.4 N · m)
Large pipe (19.05 mm dia.)	800 to 1,000 kgf · cm (78.4 to 98 N · m)

**⚠ CAUTION**

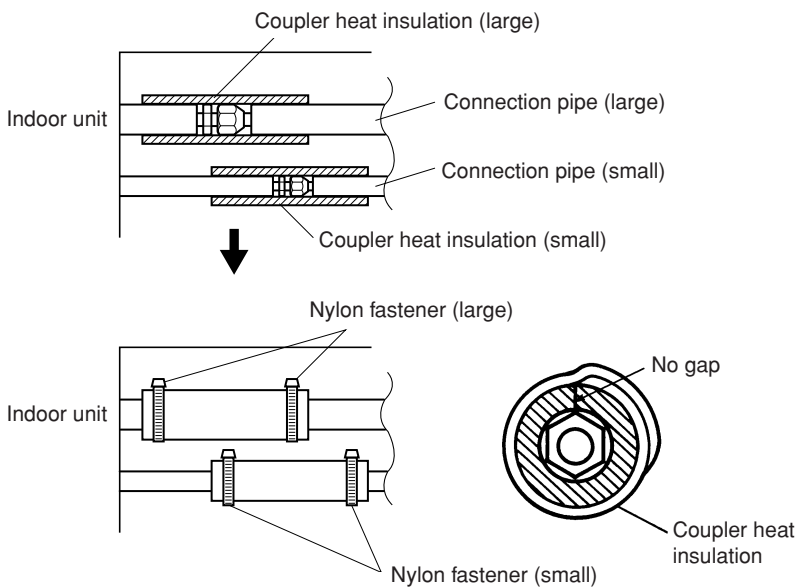
**Be sure to connect the large pipe after connecting the small pipe completely.**

#### 4. INSTALLING THE COUPLER HEAT INSULATION

After checking for gas leaks, insulate by wrapping insulation around the two parts (large and small) of the indoor unit coupling, using the coupler heat insulation.

After installing the coupler heat insulation, wrap both ends with vinyl tape so that there is no gap. Secure both ends of the heat insulation material using nylon fasteners.

**Fig. 22**

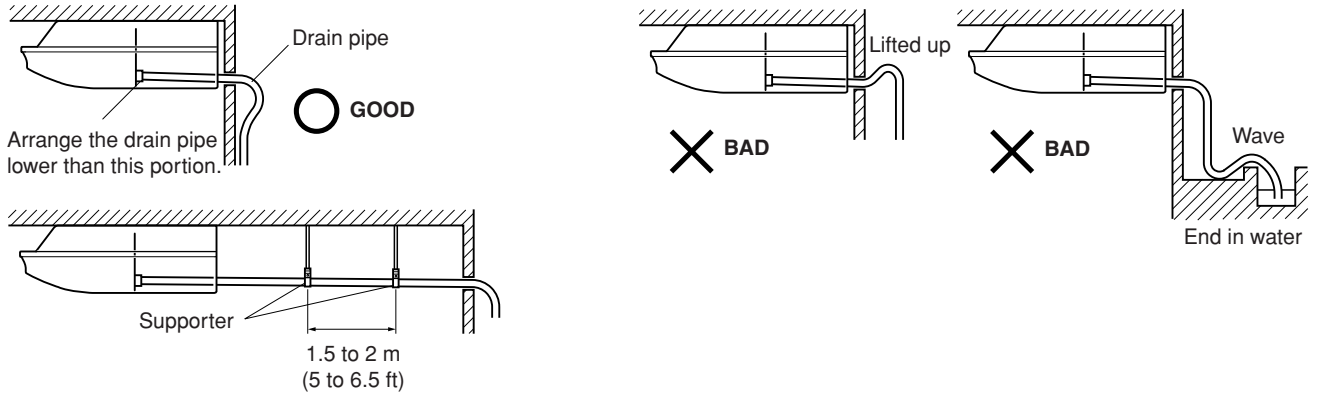


- When using an auxiliary pipe, make sure that the fastener used is insulated in the same way.

## 5. INSTALLING DRAIN PIPE

- Install the drain pipe with downward gradient (1/50 to 1/100) and so there are no rises or traps in the pipe.
- Use general hard polyvinyl chloride pipe (VP25) [outside diameter 38 mm].
- During installation of the drain pipe, be careful to avoid applying pressure to the drain port of the indoor unit.
- When the pipe is long, install supporters (Fig. 23).
- Do not perform air bleeding.
- Always heat insulate (8 mm or more thick) the indoor side of the drain pipe.

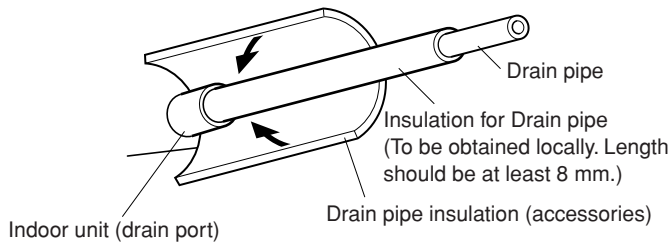
**Fig. 23**



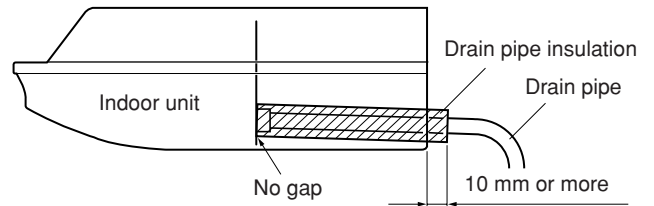
(1) Install insulation for the drain pipe (See Figs. 24 and 25).

Cut the included insulation material to an appropriate size and adhere it to the pipe.

**Fig. 24**

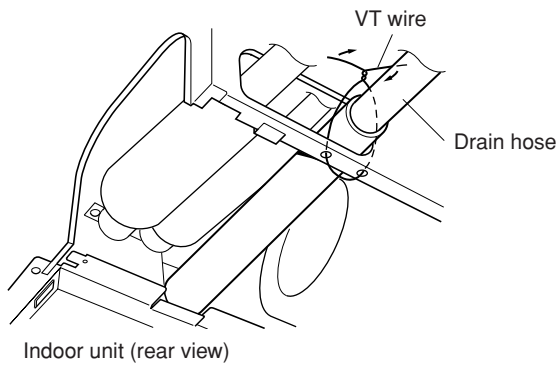


**Fig. 25**



(2) If "① Right rear piping": fasten the drain pipe with VT wire so that the pipe slopes correctly within the indoor unit (Fig. 26).

**Fig. 26**



## 6. HOW TO CONNECT WIRING TO THE TERMINALS

### 1. IF ONE WIRE IS CONNECTED TO ONE TERMINAL BLOCK

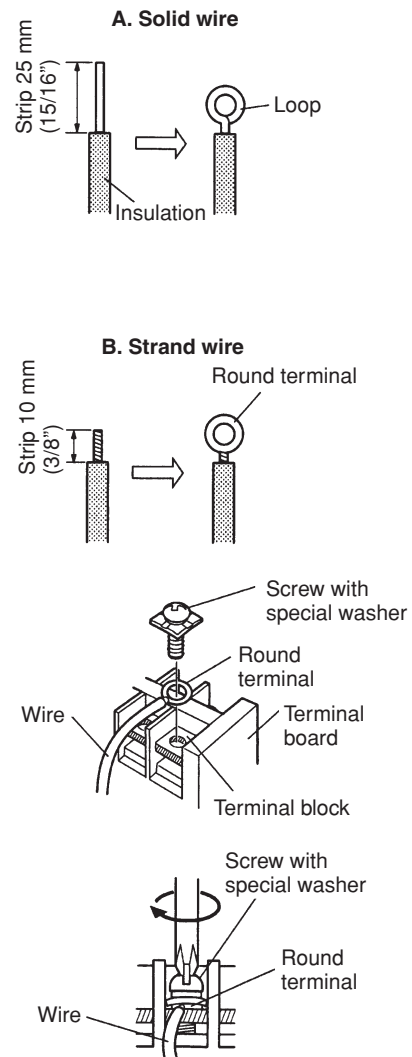
#### A. For solid core wiring (or F-cable)

- (1) Cut the wire end with a wire cutter or wire-cutting pliers, then strip the insulation to about 25 mm (15/16") to expose the solid wire.
- (2) Using a screwdriver, remove the terminal screw(s) on the terminal board.
- (3) Using pliers, bend the solid wire to form a loop suitable for the terminal screw.
- (4) Shape the loop wire properly, place it on the terminal board and tighten securely with the terminal screw using a screwdriver.

#### B. For strand wiring

- (1) Cut the wire end with a wire cutter or wire-cutting pliers, then strip the insulation to about 10 mm (3/8") to expose the strand wiring.
- (2) Using a screwdriver, remove the terminal screw(s) on the terminal board.
- (3) Using a round terminal fastener or pliers, securely clamp a round terminal to each stripped wire end.
- (4) Position the round terminal wire, and replace and tighten the terminal screw using a screwdriver.

Fig. 27

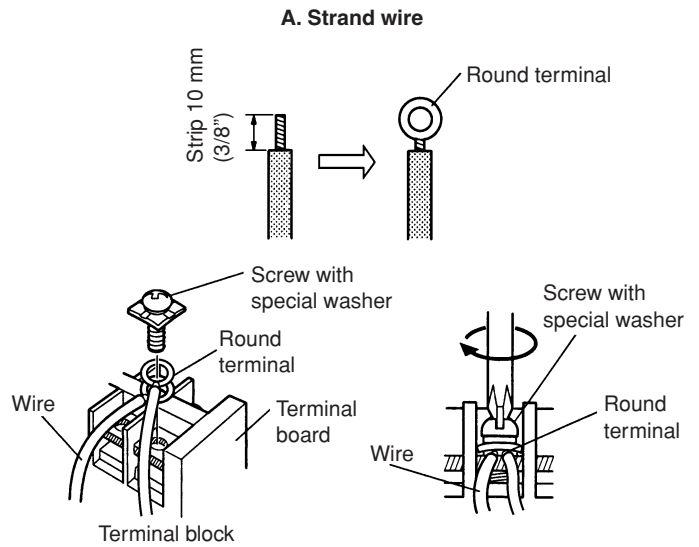


## 2. IF TWO WIRES ARE CONNECTED TO ONE TERMINAL BLOCK

### A. As a rule, round terminal should be used to connect to the terminal block.

- (1) Cut the wire end with a wire cutter or wire-cutting pliers, then strip the insulation to about 10 mm (3/8") to expose the strand wiring.
- (2) Using a screwdriver, remove the terminal screw(s) on the terminal board.
- (3) Using a round terminal fastener or pliers, securely clamp a round terminal to each stripped wire end.
- (4) Position the round terminal wire, and replace and tighten the terminal screw using a screwdriver.

Fig. 28

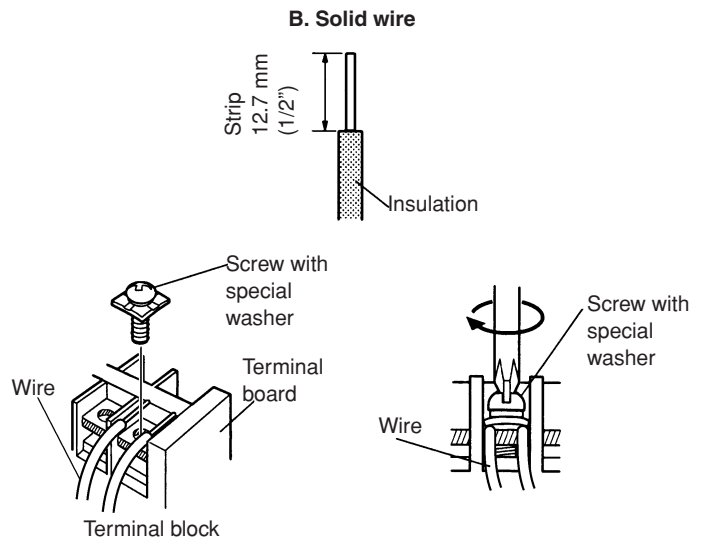


### B. If round terminal cannot be used, the following items should be followed.

#### For solid core wiring (or F-cable)

- (1) Cut the wire end with a wire cutter or wire-cutting pliers, then strip the insulation to about 12.7 mm (1/2") to expose the solid wire.
- (2) Using a screwdriver, remove the terminal screw(s) on the terminal board.
- (3) Wires with the same diameter should be connected on both sides as shown in Fig. 29. Since connecting wires with different diameters causes the wires to heat up due to loose connections, this method should not be used.

Fig. 29

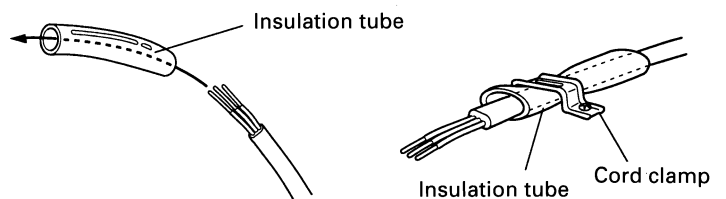


## HOW TO FIX THE CONNECTION CORD

After passing the connection cord through the insulation tube, fasten it with the cord clamp.

Use VW-1, 0.5 to 1.0 mm thick, PVC tube as the insulation tube.

Fig. 30



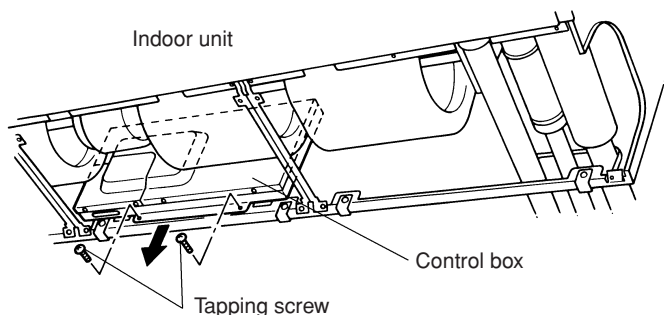
## 7. ELECTRICAL WIRING

### ⚠ WARNING

- ① Before starting work, check that power is not being supplied to the indoor unit.
- ② Erroneous wiring may cause burning of the electric parts.
- ③ Connect the connection cord firmly to the terminal board. Imperfect installation may cause a fire.
- ④ Always fasten the outside covering of the connection cord with the cord clamp. (If the insulator is chafed, electric leakage may occur.)
- ⑤ Always connect the ground wire.

(1) Remove the two tapping screws and pull the control box downward (Fig. 31).

**Fig. 31**



(2) Remove the cover A and install the connection cord (Fig. 32).

(3) After wiring is complete, clamp the power supply cord with the cord clamp (Fig. 33).

(4) Reattach cover A. Then fasten the control box back into its original position using the two tapping screws.

(5) Attach the remote control cord, transmission cord, power supply cord, RB unit cord and cable clips. Make sure that they are positioned so that they will not interfere with opening and closing of the intake grille or with removal and installation of the air filters (Fig. 33).

**Fig. 32**

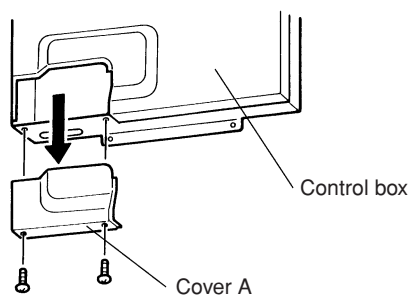
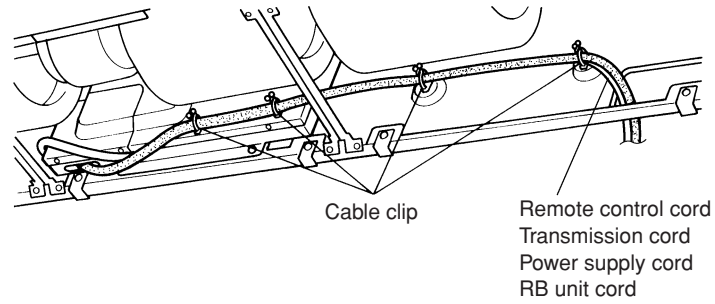
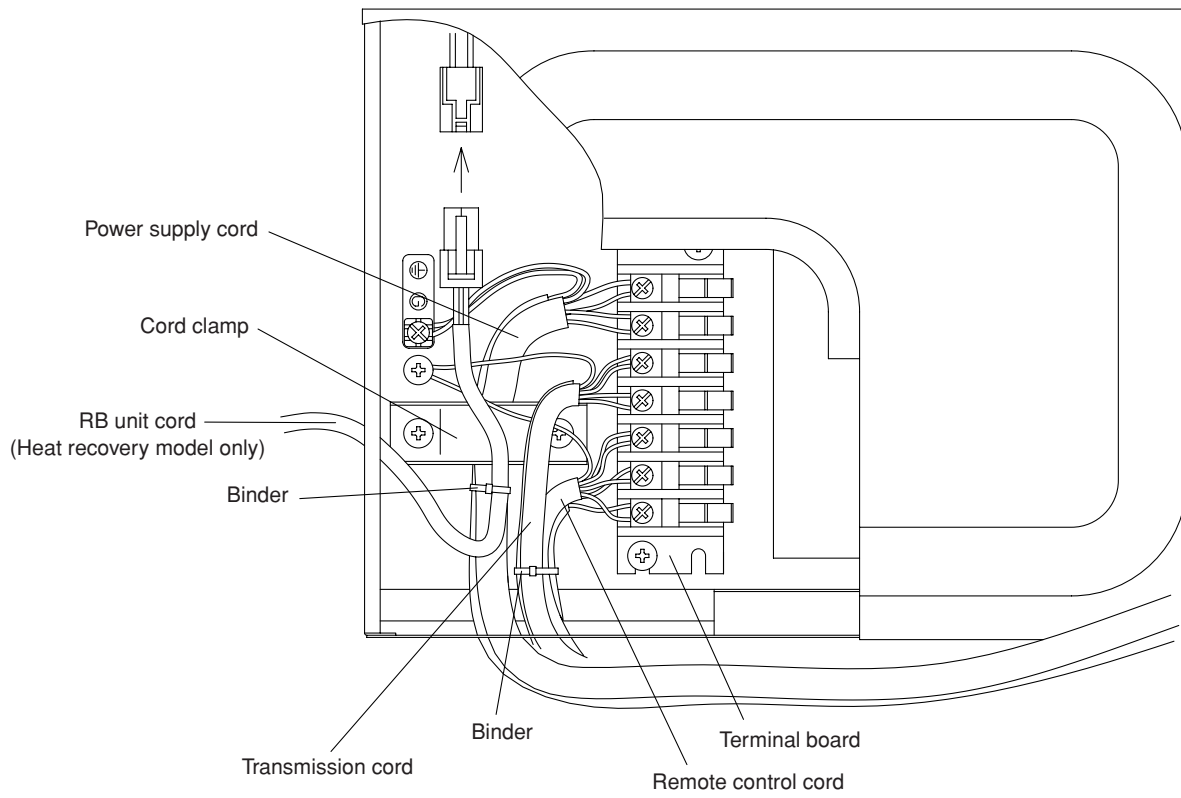
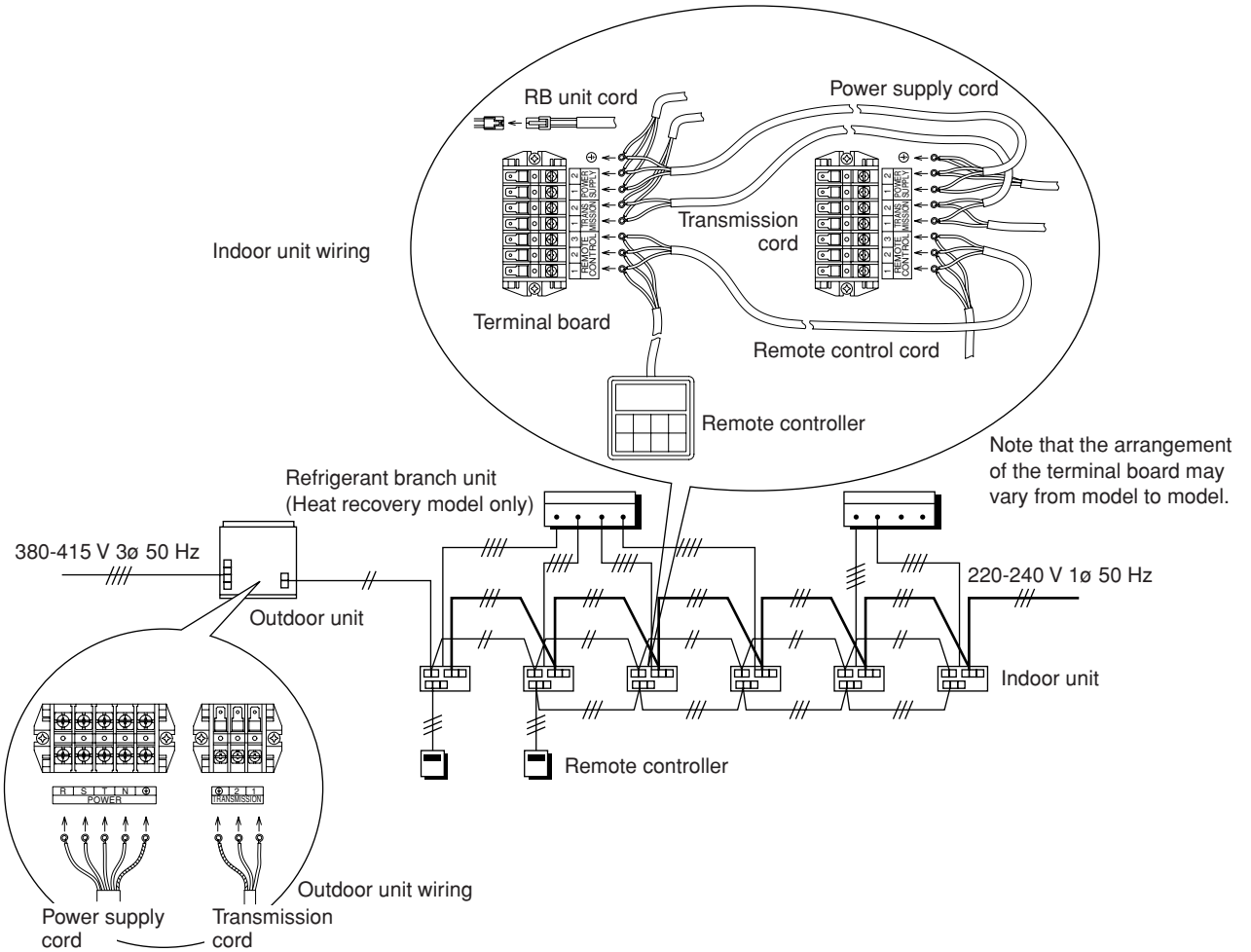


Fig. 33





**Fig. 34**  
(Example)



**⚠ CAUTION**

- ① Use care to wire properly. (Miss-wiring will result in damage.)
- ② Never bundle the power supply cord, transmission cord and remote controller cord together. Bundling these cords together will cause misoperation.
- ③ The total length of the transmission cord should not exceed 500 meters. Note that the total length of the transmission cord can be extended to 2,000 meters if the optional signal amplifier is used.
- ④ The power source capacity must be the sum of the air conditioner current and the current of other electrical appliances. When the current contracted capacity is insufficient, change the contracted capacity.
- ⑤ When the voltage is low and the air conditioner is difficult to start, contact the power company the voltage raised.

**⚠ WARNING**

- ① [1 phase TYPE]  
The rated voltage of this product is 220-240 V A.C. 50 Hz.  
Before turning on verify that the voltage is within the 198 V to 264 V range.  
[3 phase TYPE]  
The rated voltage of this product is 380-415 V 3ø 50 Hz.  
Before turning on verify that the voltage is within the 342 V to 457 V range.
- ② Always use a special branch circuit and install a special receptacle to supply power to the air conditioner.
- ③ Use a circuit breaker and receptacle matched to the capacity of the air conditioner.
- ④ Perform wiring work in accordance with standards so that the air conditioner can be operated safely and positively.
- ⑤ Install a leakage circuit breaker in accordance with the related laws and regulations and electric company standards.

## 8. CIRCUIT BOARD SETTING

### INDOOR UNIT SETTINGS

(1) Indoor unit addresses

Rotary switch (SW5) - - - Factory setting "0"

When connecting multiple indoor units to one refrigerant system, set the address at SW5 in sequence from 0.

(2) Refrigerant circuit address

Rotary switch (SW7) - - - Factory setting "0"

Rotary switch (SW8) - - - Factory setting "0"

In the case of multiple refrigerant systems, set SW7 and SW8 as shown in the Table 7 for each refrigerant system. Set to the same refrigerant circuit address as the outdoor unit.

**Example:** When SW8 is set to "1" and SW7 is set to "14", the refrigerant circuit address will be "30".

Table 7

Refrigerant circuit address	Rotary Switch Setting		Refrigerant circuit address	Rotary Switch Setting		Refrigerant circuit address	Rotary Switch Setting		Refrigerant circuit address	Rotary Switch Setting		Refrigerant circuit address	Rotary Switch Setting	
	INDOOR UNIT			INDOOR UNIT			INDOOR UNIT			INDOOR UNIT				
	SW8	SW7		SW8	SW7		SW8	SW7		SW8	SW7		SW8	SW7
0	0	0	20	1	4	40	2	8	60	3	12	80	5	0
1	0	1	21	1	5	41	2	9	61	3	13	81	5	1
2	0	2	22	1	6	42	2	10	62	3	14	82	5	2
3	0	3	23	1	7	43	2	11	63	3	15	83	5	3
4	0	4	24	1	8	44	2	12	64	4	0	84	5	4
5	0	5	25	1	9	45	2	13	65	4	1	85	5	5
6	0	6	26	1	10	46	2	14	66	4	2	86	5	6
7	0	7	27	1	11	47	2	15	67	4	3	87	5	7
8	0	8	28	1	12	48	3	0	68	4	4	88	5	8
9	0	9	29	1	13	49	3	1	69	4	5	89	5	9
10	0	10	30	1	14	50	3	2	70	4	6	90	5	10
11	0	11	31	1	15	51	3	3	71	4	7	91	5	11
12	0	12	32	2	0	52	3	4	72	4	8	92	5	12
13	0	13	33	2	1	53	3	5	73	4	9	93	5	13
14	0	14	34	2	2	54	3	6	74	4	10	94	5	14
15	0	15	35	2	3	55	3	7	75	4	11	95	5	15
16	1	0	36	2	4	56	3	8	76	4	12	96	6	0
17	1	1	37	2	5	57	3	9	77	4	13	97	6	1
18	1	2	38	2	6	58	3	10	78	4	14	98	6	2
19	1	3	39	2	7	59	3	11	79	4	15	99	6	3

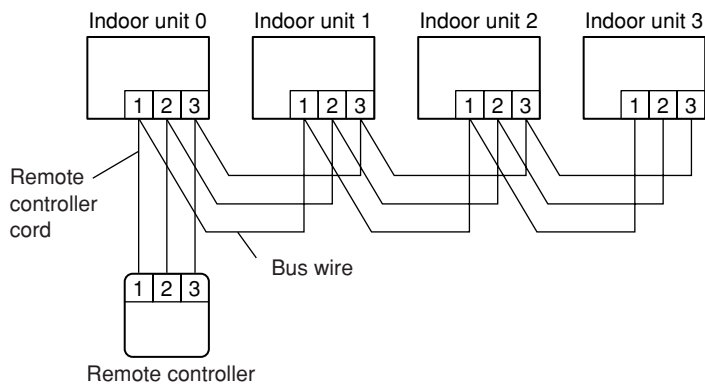
(3) Remote controller address

Rotary switch (SW9) - - - Factory setting "0"

When connecting multiple indoor units to one standard wired remote controller, set the address at SW9 in sequence from 0.

**Fig. 35**

**Example** If 4 indoor units are connected.



- (4) Model select switch  
SW3 and SW4, mounted on the circuit board, should be checked.

**Table 8**

Capacity	54	45	36	30
SW3-1	OFF	OFF	OFF	OFF
SW3-2	ON	OFF	ON	OFF
SW3-3	ON	ON	OFF	OFF
SW4-1	OFF	ON	OFF	ON
SW4-2	ON	OFF	OFF	ON
SW4-3	OFF	OFF	OFF	ON
SW4-4	ON	ON	ON	OFF

**CAUTION**

**Do not set any switches other than those specified in this sheet. The air conditioner may not operate correctly if any switches other than those specified are changed.**

## 9. FINISHING

- (1) Install the filter guide.
- (2) Install the intake grilles.
- (3) Install side covers A and B (if the unit is installed in a half-concealed orientation, only install side cover A).
- (4) Install the air filters.

## 10. CUSTOMER GUIDANCE

Explain the following to the customer in accordance with the operating manual:

- (1) Starting and stopping method, operation switching, temperature adjustment, timer, air flow adjustment, and other remote controller operations.
- (2) Air filter removal and cleaning.
- (3) Give the operating and installation manuals to the customer.

## 11. TEST OPERATION

Supply power to the crankcase heater for 12 hours prior to the start of operation in the winter.  
The following is the procedure for the test operation.

### 1. TEST OPERATION USING CIRCUIT BOARD (OUTDOOR UNIT)

Refer to the Installation Instruction Sheet for the outdoor unit if the circuit board for the outdoor unit is to be used for the test operation.

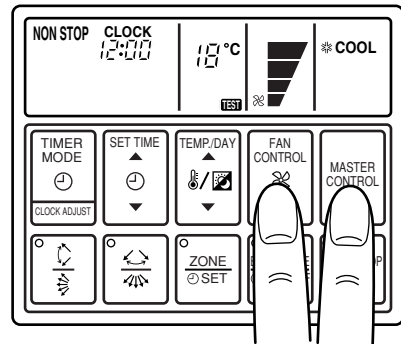
### 2. TEST OPERATION USING REMOTE CONTROLLER

- (1) Standard wired remote controller

- For test running, when the remote controller FAN CONTROL button and MASTER CONTROL button are pressed simultaneously for more than three seconds when the air conditioner is not running, the air conditioner starts and TEST is displayed on the remote controller display.

However, the SET TEMP./DAY setting button does not function, but all other buttons, displays, and protection functions operate (Fig. 36).

Fig. 36



- When EE : EE blinks at the current time display, there is an error inside the air conditioner. If the SET TIME button (↖) and SET TEMP./DAY button (↘) are pressed simultaneously for more than three seconds, the self diagnosis check will start and the error contents will be displayed at the current time display. In addition, the remote controller address will be displayed below. When the operation lamp lights, press the START/STOP button and after operation lamp goes off, perform the same operation (Fig. 37).

Fig. 37

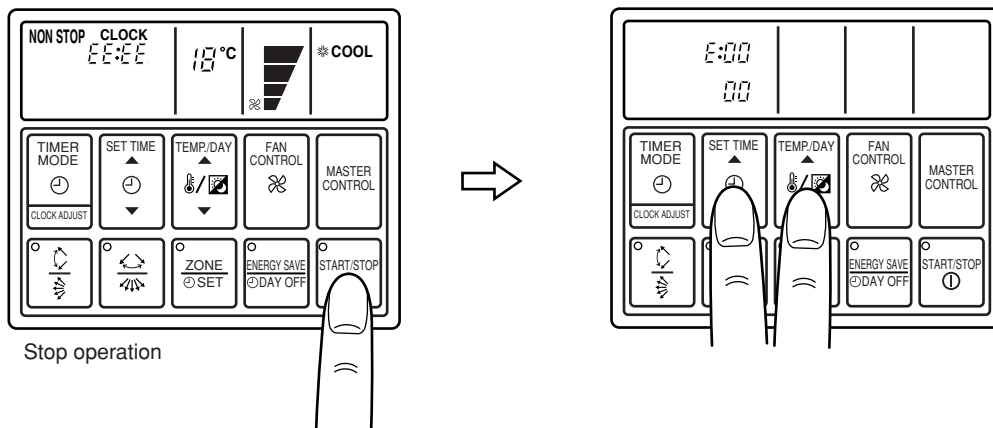


Table 9

Error cord	Error contents
E:00	No error
E:02	Model information abnormal
E:04	Power supply frequency abnormal
E:06	EEPROM access error
E:07	EEPROM deletion error
E:09	Room temperature thermistor error
E:0A	Indoor unit heat exchanger thermistor (middle) error
E:0b	Indoor unit heat exchanger thermistor (inlet) error
E:0c	Indoor unit heat exchanger thermistor (outlet) error

Error cord	Error contents
E:0d	Blower temperature thermistor error
E:11	Drain abnormal
E:12	Room temperature abnormal
E:13	Indoor unit fan error
E:1F	Transmission error
E:20	Node setting error
E:21	Parallel communication error
E:32	Outdoor unit error

- To stop test running, press the START/STOP button.
- For the operation method, refer to the operating manual and perform operation check.
- Check that there are no abnormal sounds or vibration sounds during test running.

(2) Standard wireless remote controller

- Press the remote control unit test run button while the air conditioner is running.
- At the end of test running, press the remote control unit start-stop button (Fig. 38).

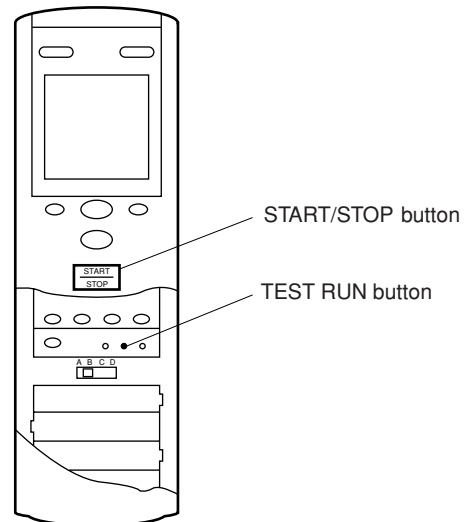
Operation can be checked by lighting and flashing of the display section OPERATION and TIMER lamps.

Perform judgement in accordance with the following.

- Test running

When the air conditioner is run by pressing the remote control unit test run button, the OPERATION and TIMER lamps flash slowly at the same time.

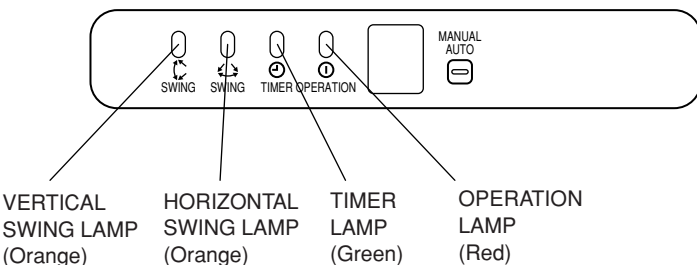
Fig. 38



## 12. AN ERROR DISPLAY

- Run the air conditioner in accordance with the operating manual.

Fig. 39



Operation can be checked by lighting and flashing of the grille display section OPERATION and TIMER lamps.

Perform judgment in accordance with the following.

- Test running

When the air conditioner is run by pressing the remote controller test run button, the OPERATION and TIMER lamps flash slowly at the same time.

- Error

The OPERATION and TIMER lamps operate as follows (Table 10) according to the error contents.

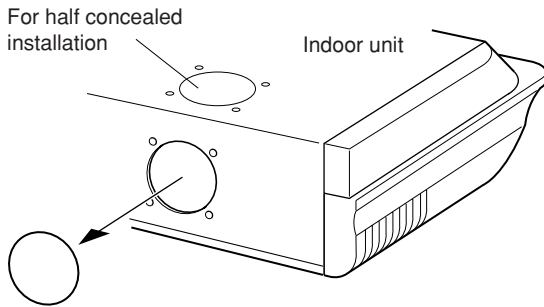
Table 10

Error display				Error contents
OPERATION lamp	TIMER lamp	VERTICAL SWING lamp	HORIZONTAL SWING lamp	
Blinks	Blinks	Goes off	Goes off	Model information abnormal
Blinks	Blinks	Blinks	Blinks	Power supply frequency abnormal
Pulses 2times	Blinks	Goes off	Goes off	Room temperature thermistor error
Pulses 3times	Blinks	Pulses 1time	Goes off	Indoor unit heat exchanger thermistor (inlet) error
Pulses 3times	Blinks	Pulses 2times	Goes off	Indoor unit heat exchanger thermistor (middle) error
Pulses 3times	Blinks	Pulses 3times	Goes off	Indoor unit heat exchanger thermistor (outlet) error
Pulses 4times	Blinks	Goes off	Goes off	Drain abnormal
Pulses 5times	Blinks	Pulses 1time	Goes off	Communication error (Indoor unit ↔ remote controller)
Pulses 5times	Blinks	Pulses 2times	Goes off	Microcomputer error
Pulses 6times	Blinks	Goes off	Goes off	Indoor unit fan error
Pulses 7times	Blinks	Goes off	Goes off	Blower temperature thermistor error
Blinks	Pulses 3times	Pulses 3times	Goes off	Outdoor unit error
Blinks	Pulses 4times	Pulses 1time	Goes off	EEPOM access error
Blinks	Pulses 4times	Pulses 2times	Goes off	EEPROM deletion error
Blinks	Pulses 5times	Pulses 1time	Goes off	Transmission error
Blinks	Pulses 5times	Pulses 2times	Goes off	Node setting error
Blinks	Pulses 6times	Goes off	Goes off	Parallel communication error
Blinks	Pulses 7times	Goes off	Goes off	Room temperature abnormal

## 13. FRESH-AIR INTAKE

(1) Open up the knockout hole for the fresh-air intake, as shown in Fig. 40. (If using half-concealed installation, open up the top knockout hole instead.)

**Fig. 40**

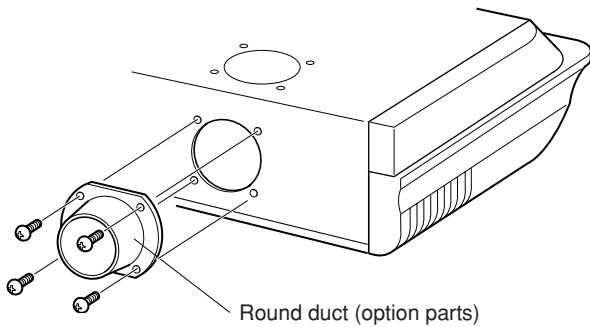


### ⚠ CAUTION

- ① When removing the cabinet (iron plate), be careful not to damage the indoor unit internal parts and surrounding area (outer case).
- ② When processing the cabinet (iron plate), be careful not to injure yourself with burrs, etc.

(2) Fasten the round flange (optional) to the fresh-air intake, as shown in Fig. 41. (If using half-concealed installation, attach to the top.)

**Fig. 41**



**[After completing "2. INDOOR UNIT INSTALLATION" ...]**

- (3) Connect the duct to the round flange.
- (4) Seal with a band and vinyl tape, etc. so that air does not leak from the connection.

**Fig. 42**

