



# Remote Controller (Wired Type)

# INSTALLATION INSTRUCTION SHEET

(PART NO. 9367725014)

For authorized service personnel only.

<b>WARNING!</b>	This mark indicates procedures which, if improperly performed, might lead to the death or serious injury of the user.
<b>CAUTION!</b>	This mark indicates procedures which, if improperly performed, might possibly result in personal harm to the user, or damage to property.

<b>WARNING</b>	
①	For the air conditioner to operate satisfactorily, install it as outlined in this installation instruction sheet.
②	Installation work must be performed in accordance with national wiring standards by authorized personnel only.
③	Do not turn on the power until all installation work is complete.

- Let the customer keep this installation instruction sheet because it is used when the air conditioner is serviced or moved.

<b>CAUTION</b>	
①	Do not wire the bus wire together with or parallel to the indoor and outdoor units transmission cord and power cord. It may cause erroneous operation.
②	When installing the bus wire near a source of electromagnetic waves, use shielded wire.
③	Operating methods are the same as normal (1 air conditioner, 1 remote controller). For details, refer to operating manual.
④	Do not set either the dip switches or the rotary switches, either on the air conditioner or the remote controller, in any way other than indicated in this sheet or the operating manual that is supplied with the air conditioner. Do not change any switch settings in any way other than indicated. Doing so may result in an accident.

## STANDARD PARTS

The following installation parts are supplied. Use them as required.

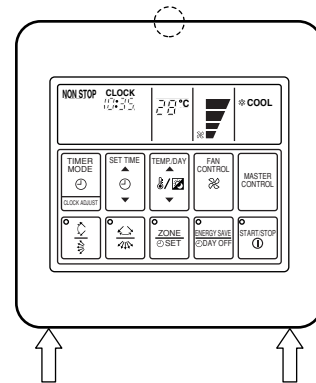
Name and Shape	Q'ty	Application
Remote controller 	1	Use for air conditioner operation
Remote controller cord clamp 	10	For installing the remote controller cord
Tapping screw (flush heads) 	10	For installing the remote controller cord clamp

Name and Shape	Q'ty	Application
Tapping screw (ø4 × 16) 	2	For installing the remote controller
Binder 	1	For remote controller and remote controller cord binding

# REMOTE CONTROLLER INSTALLATION

- Insert the end of a flat blade screwdriver at the arrow parts of the groove at the side of the remote controller case and remove the remote controller case top by turning the screwdriver.
- Disconnect the remote controller cord from the remote controller terminal board.

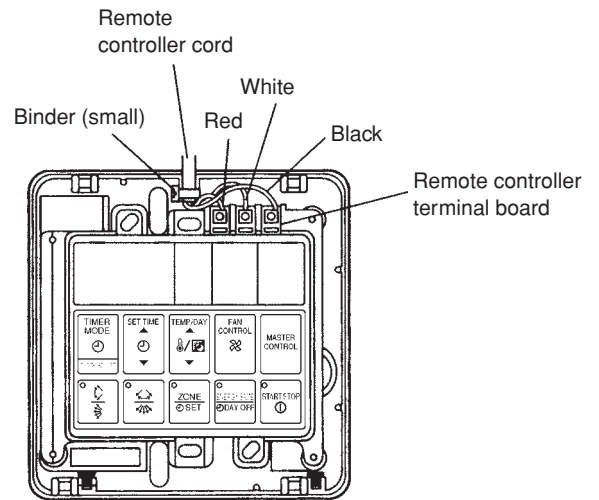
**Fig. 1**



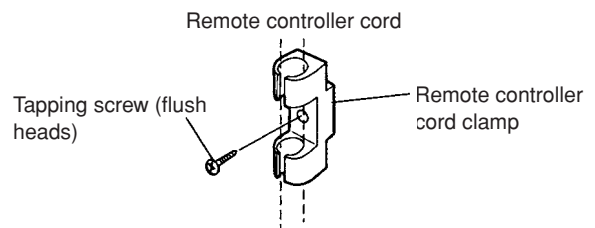
(1) When remote controller exposed

- 1) Make a notch in the thin part (○ part of Fig. 1) at the remote controller case top and bottom with nippers, file, etc.
- 2) Connect the remote controller cord to the remote controller terminal board specified in (Fig. 2).
- 3) Clamp the remote controller cord sheath with the binder (small) as shown in Fig. 2.
- 4) Cut off the excess binder.
- 5) Clamp the remote controller cord to a wall, etc. with the remote controller cord clamp furnished. (Fig. 3)

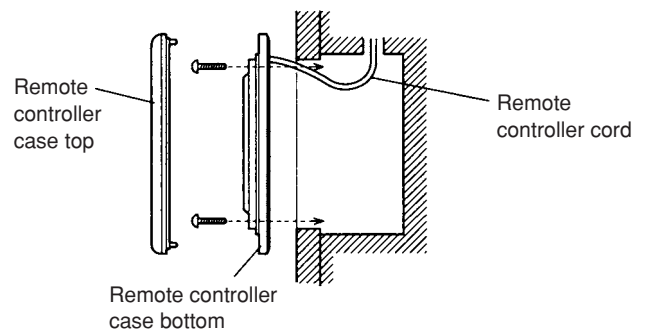
**Fig. 2**



**Fig. 3**



**Fig. 4 [Example]**



(2) When remote controller cord embedded

- 1) Embed the remote controller cord and box.
  - 2) Pass the remote controller cord through the hole at the remote controller case bottom and install the cord to the box (Fig. 4).
  - 3) Connect the remote controller cord to the remote controller terminal board specified in (Fig. 2).
- After wiring work is complete, return the remote controller case top to its original state.

**CAUTION**

Do not touch the remote controller PC board and PC board parts directly with your hands.

# REMOTE CONTROLLER SETTINGS

## 1. SWITCHES MODEL

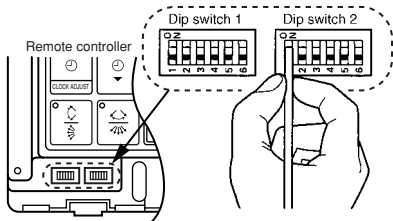
- It is switched to the Heat Pump model and Heat Recovery model for the factory settings.
- In the case of the Cooling model, the following items need to be switched.

## SETTING METHOD

(Cooling model)

- (1) Remove the remote controller cover.
- (2) Set remote controller Dip switch 2 [1] to [ON]. (Fig. 5)
- (3) Restore the remote controller cover.

Fig. 5



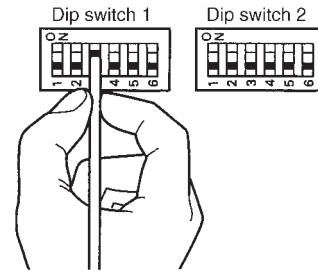
DIP SWITCH 2 [No. 1]

Cooling model	Heat Pump model
ON	OFF

## 2. SETS THE NUMBER OF REMOTE CONTROLLER UNIT

- (1) Remove the remote controller cover.
- (2) Set the number of remote controller units with remote controller Dip switch 1 [1, 3, 4]. (Fig. 6)  
For the number of connected units, see the table below.
- (3) Restore the remote controller cover.

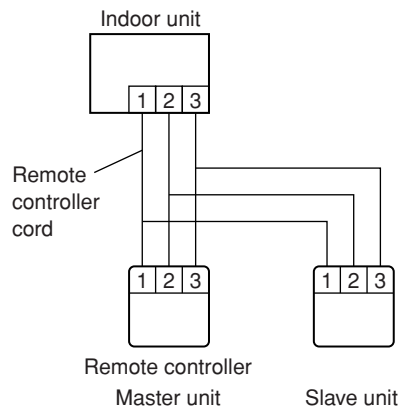
Fig. 6



Number of remote control unit	Master unit			Slave unit		
	Dip switch 1[1]	Dip switch 1[3]	Dip switch 1[4]	Dip switch 1[1]	Dip switch 1[3]	Dip switch 1[4]
1	ON	OFF	OFF	–	–	–
2	OFF	OFF	OFF	ON	OFF	ON

Fig. 7

**Example** If 2 remote controller units are connected.



The timer function will not be able to be used on the slave units.

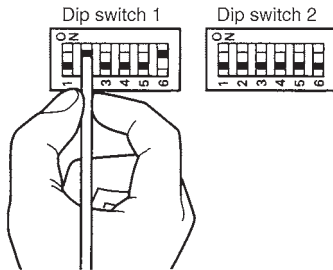
### 3. SETS THE NUMBER OF INDOOR UNITS CONNECTED

- The settings at the time of shipping are set for one indoor unit connected.
- The following settings are required when connecting multiple indoor units to one remote controller.

#### SETTING METHOD

- (1) Remove the remote controller cover.
- (2) Set remote controller Dip switch 1 [2]. (Fig. 8)
- (3) Restore the remote controller cover.

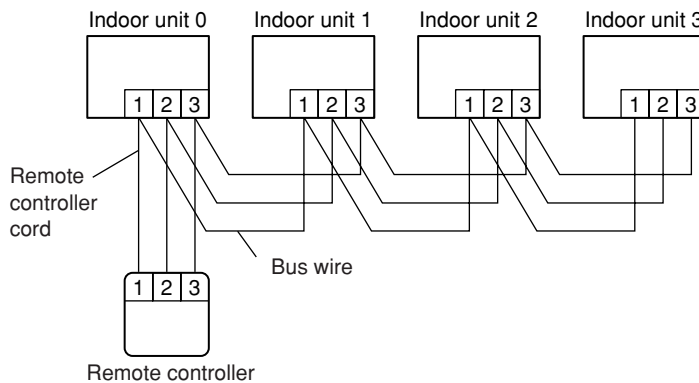
Fig. 8



DIP SWITCH 1 [No. 2]	
Multiple unit connection	One unit connection
ON	OFF

Fig. 9

**Example** If 4 indoor units are connected.



#### ⚠ CAUTION

- ① Connect the bus wire between indoor units by wiring it so that the numbers are correct.
- ② When setting the Rotary switch and Dip switch, do not touch any other parts on the PC board directly with your bare hands.

#### SELF DIAGNOSIS

- If [EE : EE] flashes at the remote controller current time display, perform [Self Diagnosis].
- For the [Self Diagnosis] method, refer to the test operation section of the installation instruction sheet. The faulty air conditioner is also displayed.

**Example**

[ E : 02 ] — Error cord  
 [ : 00 ] — Faulty unit No. (Remote controller address)  
 : Model information abnormal

## 4. AUTO CHANGE OVER

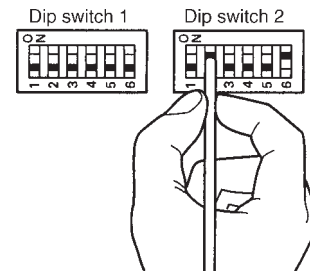
- When AUTO CHANGEOVER operation is selected, the air conditioner selects the appropriate operation mode in response to your room's temperature.
- When AUTO CHANGEOVER operation first selected, the fan will operate at very LOW speed for about one minute, during which time the unit detects the room conditions and selects the proper operating mode.
- When AUTO CHANGEOVER is set to off, fan and auto mode cannot be used.
- Do not do the following setting in the case of the Heat Pump Model.

### SETTING METHOD

#### (Performed by remote controller)

- (1) Turn off the main power.
- (2) Set remote controller Dip switch 2 [2], [6] to [ON].

Fig. 10

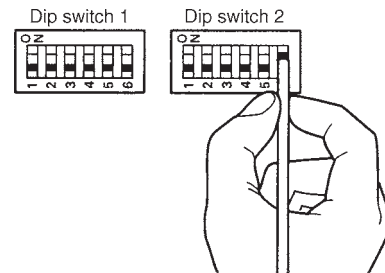


## 5. MEMORY BACKUP FUNCTION

### MEMORY BACKUP FUNCTION

This function starts operation in accordance with the contents before operation was stopped by pressing of the START/STOP button when the power supply to the air conditioner was stopped and restarted by a power failure, switch, etc.

Fig. 11



- MEMORY BACKUP FUNCTION use  
In the state in which the remote controller case top is removed, set Dip switch 2 [6] of the remote controller to the [ON] position.

## 6. ZONE CONTROL

- When the ZONE CONTROL button is pressed while multiple indoor units are being centralized controlled, only the preset indoor units stop.
- Set Dip switch 2 [2] of the indoor unit PC board you want to stop by ZONE CONTROL button to [ON].

### OPERATION CONFIRMATION

- Press the ZONE CONTROL button of the remote controller during centralized control operation. Check if only the set indoor units stop.
- When the ZONE CONTROL button is pressed again, all the indoor units operates.

#### CAUTION

**If the Dip switch 1 [2] of the remote controller is set to off, the ZONE CONTROL is no function.**