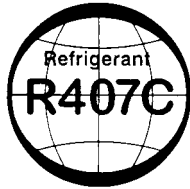
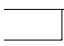




# FUJII ELECTRIC

## HIGH POWER MULTI AIR CONDITIONER WALL MOUNTED type CASSETTE type

# SERVICE MANUAL



Models	Indoor unit	Outdoor unit
RS-12EA RS-12EA		RO-24EA2
RU-12EA RU-12EA		RO-24EA2
RS-12EA RU-12EA		RO-24EA2

## CONTENTS

SPECIFICATIONS . . . . .	1
DIMENSIONS . . . . .	2
REFRIGERANT SYSTEM DIAGRAM . . . . .	4
CIRCUIT DIAGRAM . . . . .	5
DISASSEMBLY ILLUSTRATION . . . . .	13
PARTS LIST . . . . .	22

# S P E C I F I C A T I O N S

TYPE	COOL			
INDOOR UNIT	RS-12EA		RU-12EA	
OUTDOOR UNIT	RO -24EA2			
OPERATION	1 UNIT	2 UNITS	1 UNIT	2 UNITS
COOLING CAPACITY (kW)	3.45-3.50	6.90-7.00	3.60-3.70	7.20-7.40

## ELECTRICAL DATE

POWER SOURCE (V)	220-240			
FREQUENCY (Hz)	50			
RUNNING CURRENT (A)	6.62-6.76	12.60-12.80	7.00-7.00	13.80-13.80
INPUT WATTS (kW)	1.37-1.45	2.67-2.76	1.50-1.55	2.95-3.05
EER (kW/kW)	2.52-2.41	2.58-2.54	2.40-2.39	2.44-2.42
MOISTURE REMOVAL (ℓ/hr)	1.6	3.2	1.5	3.0
AIR CIRCULATION-Hi (m <sup>3</sup> /hr)	500			

## COMPRESSOR

TYPE	Hermetic type, Permanent split condenser, 2 pole, Single phase, Induction motor			
CODE	[802 356 45E] 220-240V 50Hz			
REFRIGERANT R407C (g)	1,050 × 2			

## FAN MOTOR

POWER SOURCE (V)	240		
INDOOR UNIT	High-SPEED (r.p.m.)	1,340	740
	Med-SPEED (r.p.m.)	1,240	660
	Low-SPEED (r.p.m.)	1,150	580
	Quiet-SPEED (r.p.m.)	1,040	—
OUTDOOR UNIT	High-SPEED (r.p.m.)	720	

## DIMENSIONS

INDOOR UNIT	HEIGHT (mm)	260	235
	WIDTH (mm)	815	580
	DEPTH (mm)	168	580+70
GRILLE	HEIGHT (mm)	—	35
	WIDTH (mm)	—	650
	DEPTH (mm)	—	650
OUTDOOR UNIT	HEIGHT (mm)	700	
	WIDTH (mm)	900	
	DEPTH (mm)	350	

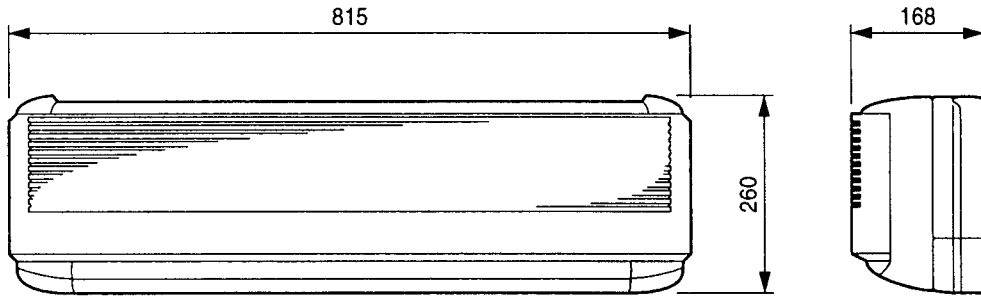
## WEIGHTS

INDOOR UNIT	GROSS / NET (kg)	10 / 8	23 / 18
GRILLE		—	4.3 / 2.2
OUTDOOR UNIT		85 / 73	

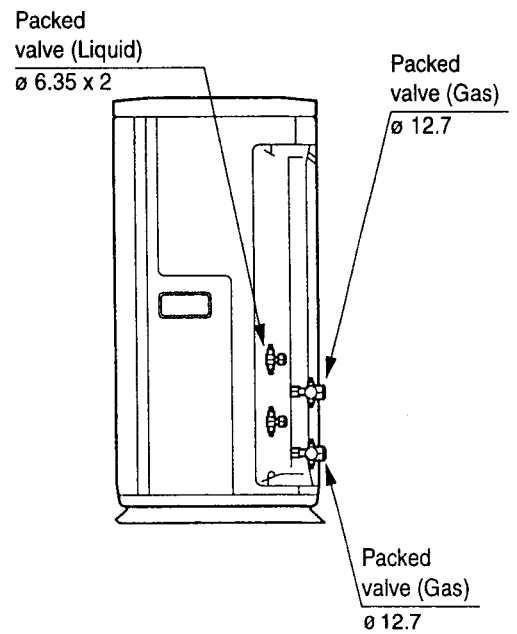
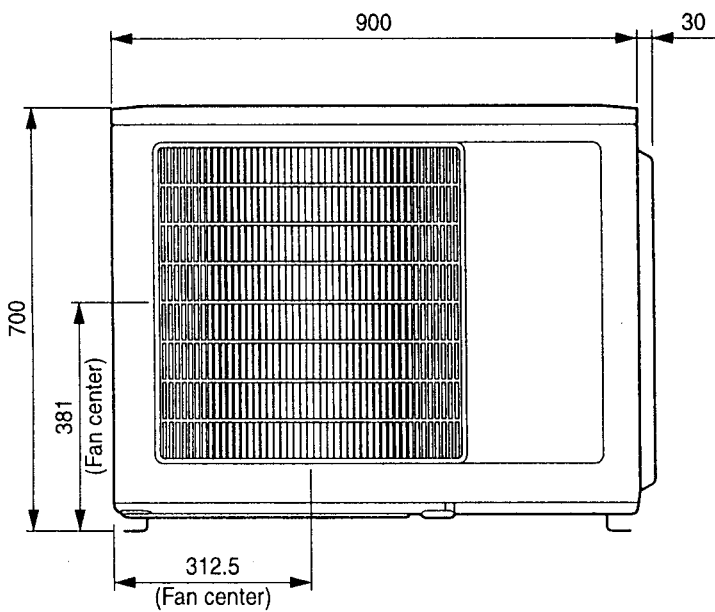
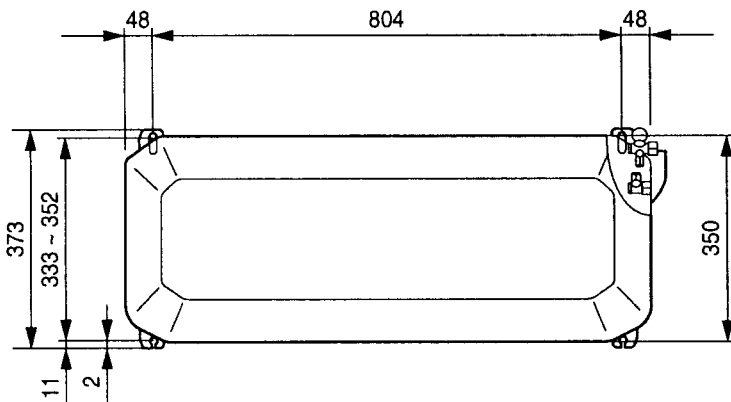
# OUTLINE AND DIMENSIONS

INDOOR UNIT (WALL MOUNTED type)

(Unit : mm)

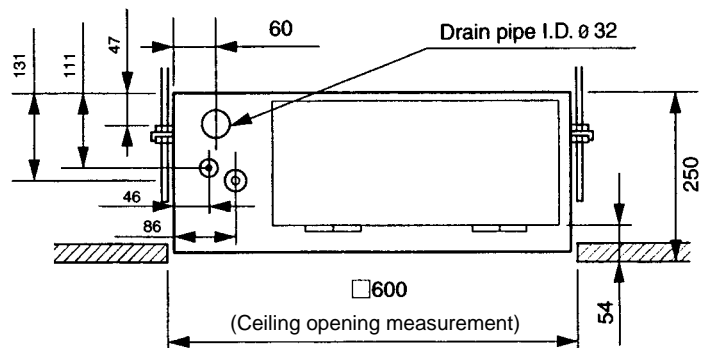
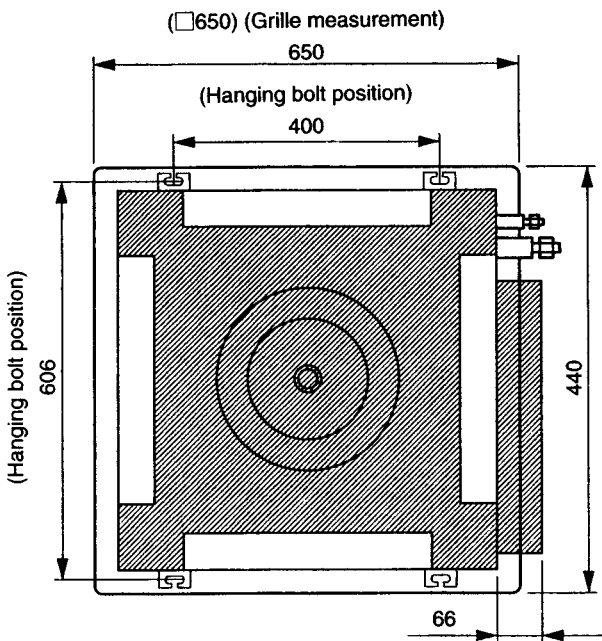
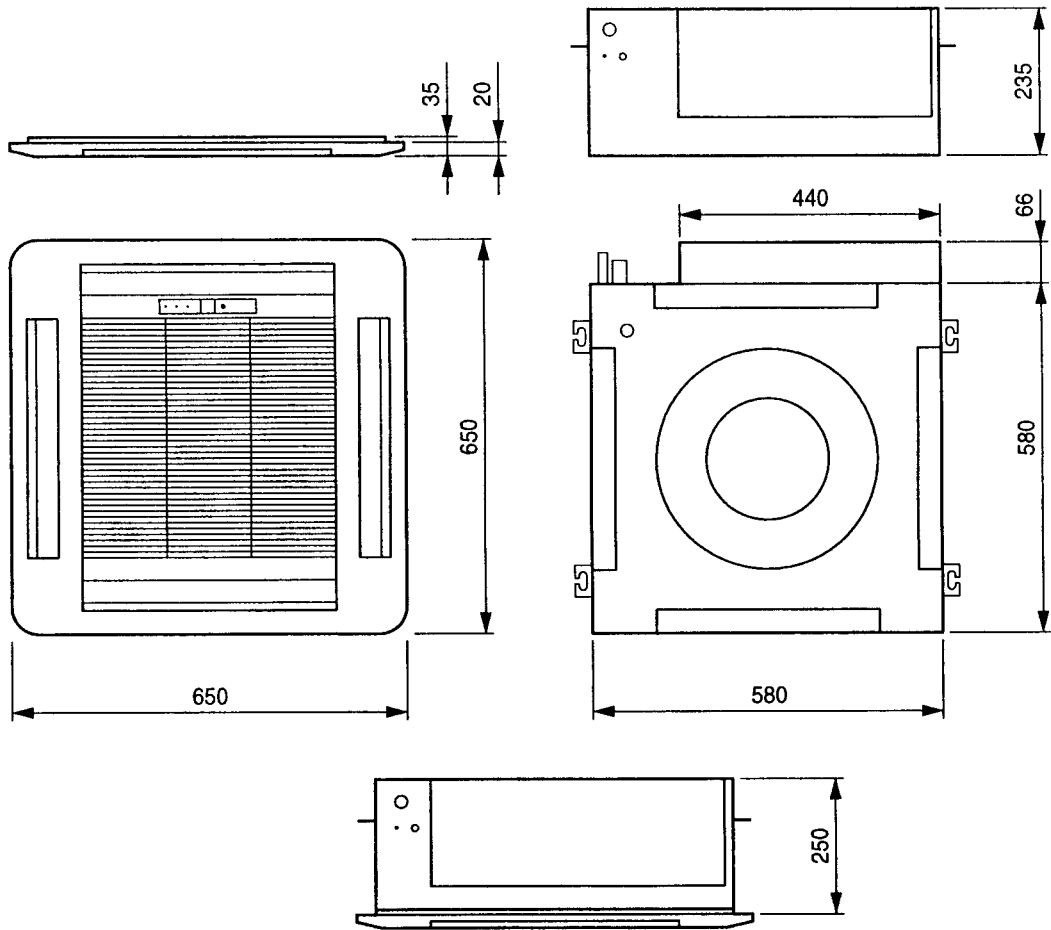


OUTDOOR UNIT



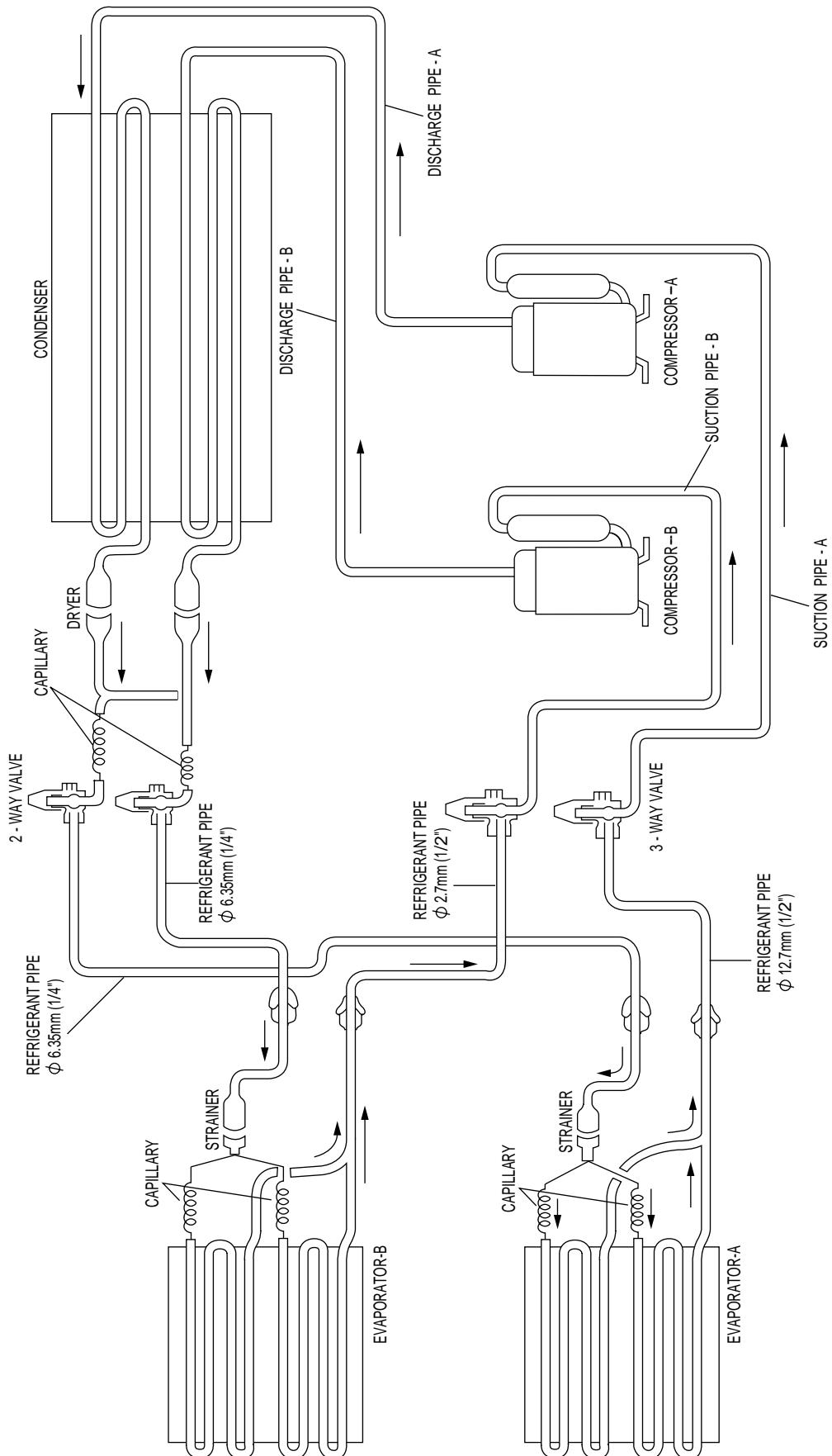
INDOOR UNIT (CASSETTE type)

(Unit : mm)



# REFRIGERANT SYSTEM DIAGRAM

Models : RS-12EAx2 / RO-24EA2  
 RU-12EAx2 / RO-24EA2

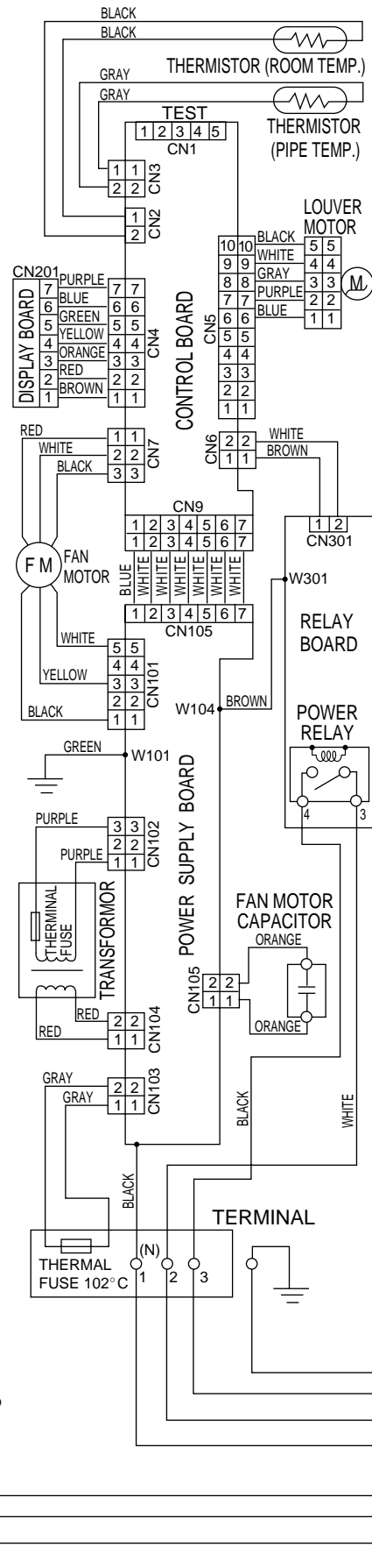
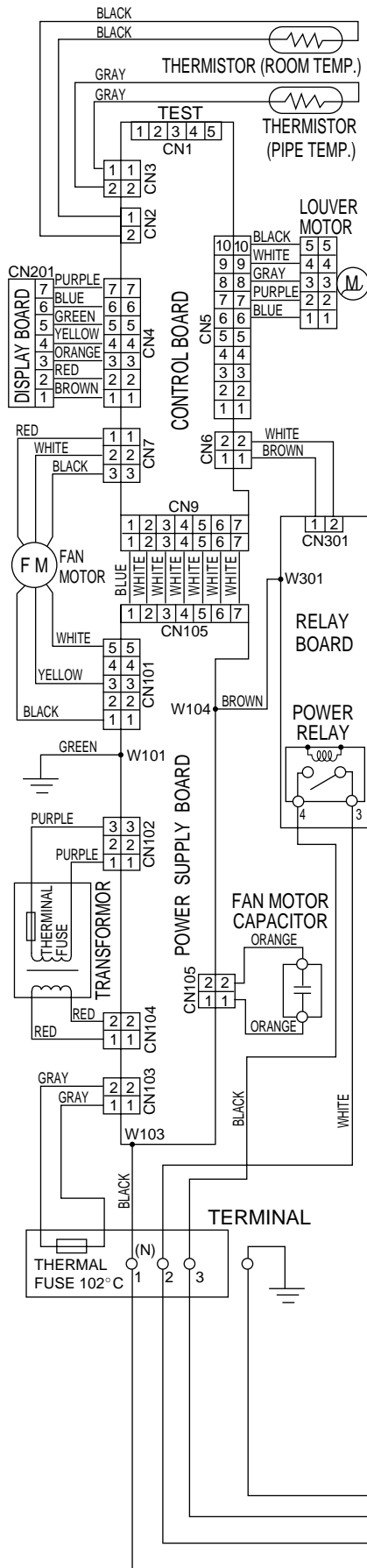


# CIRCUIT DIAGRAM

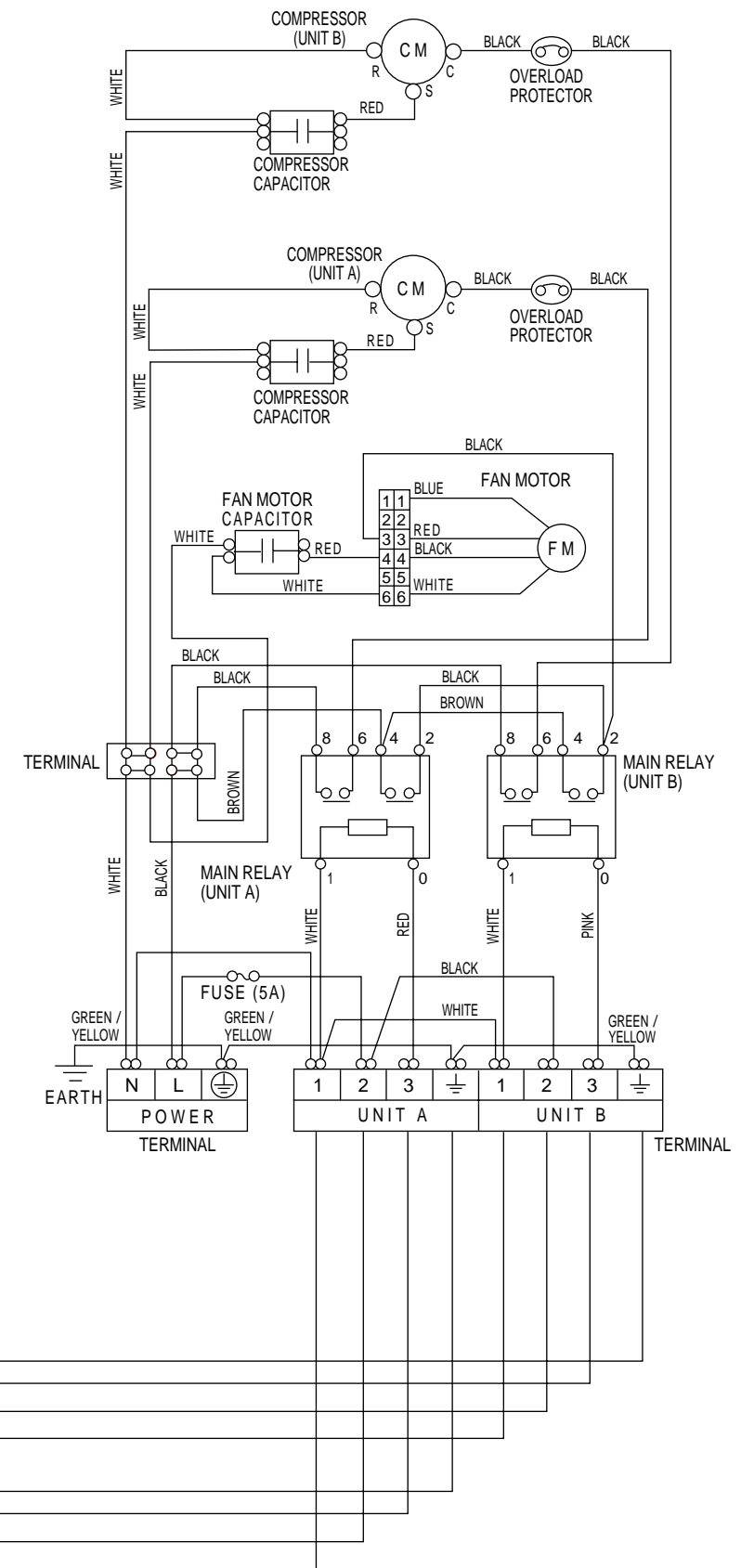
: RS-12EAx2 / RO-24EA2

## INDOOR UNIT

## OUTDOOR UNIT

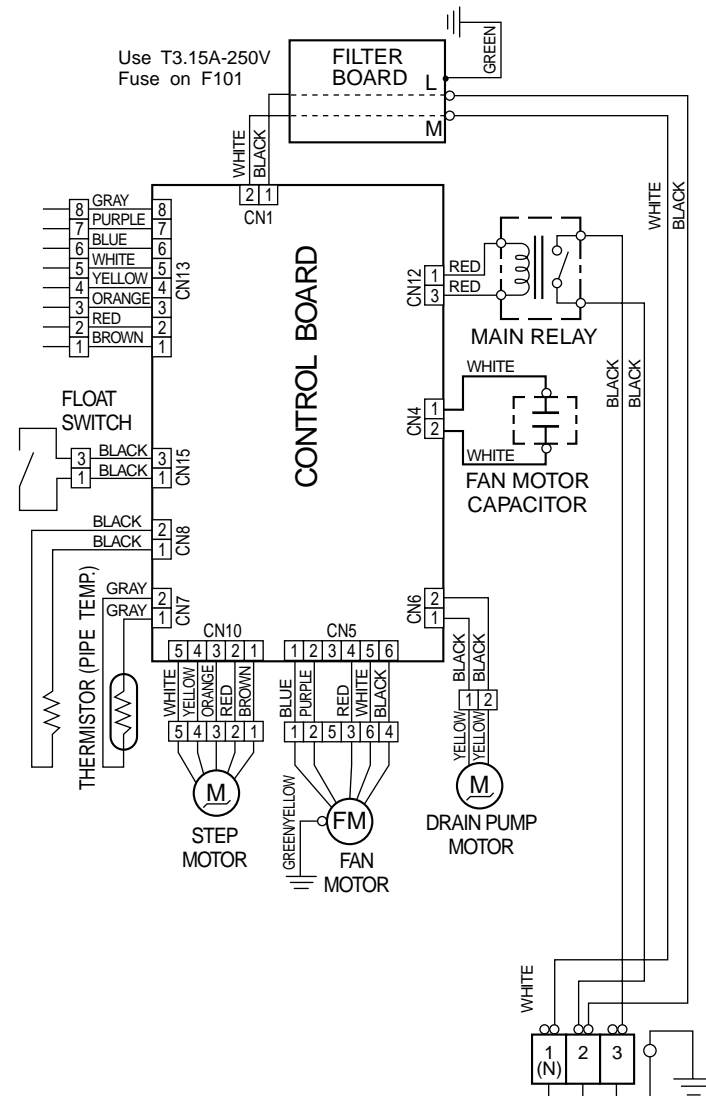


UNIT B

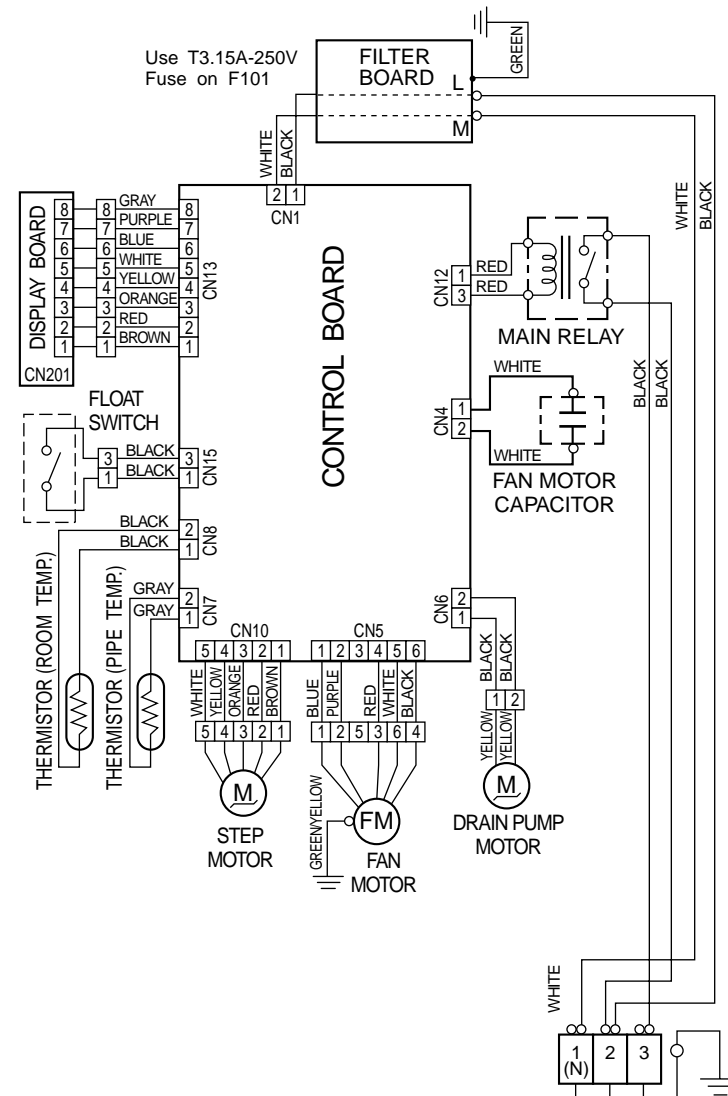


INDOOR UNIT

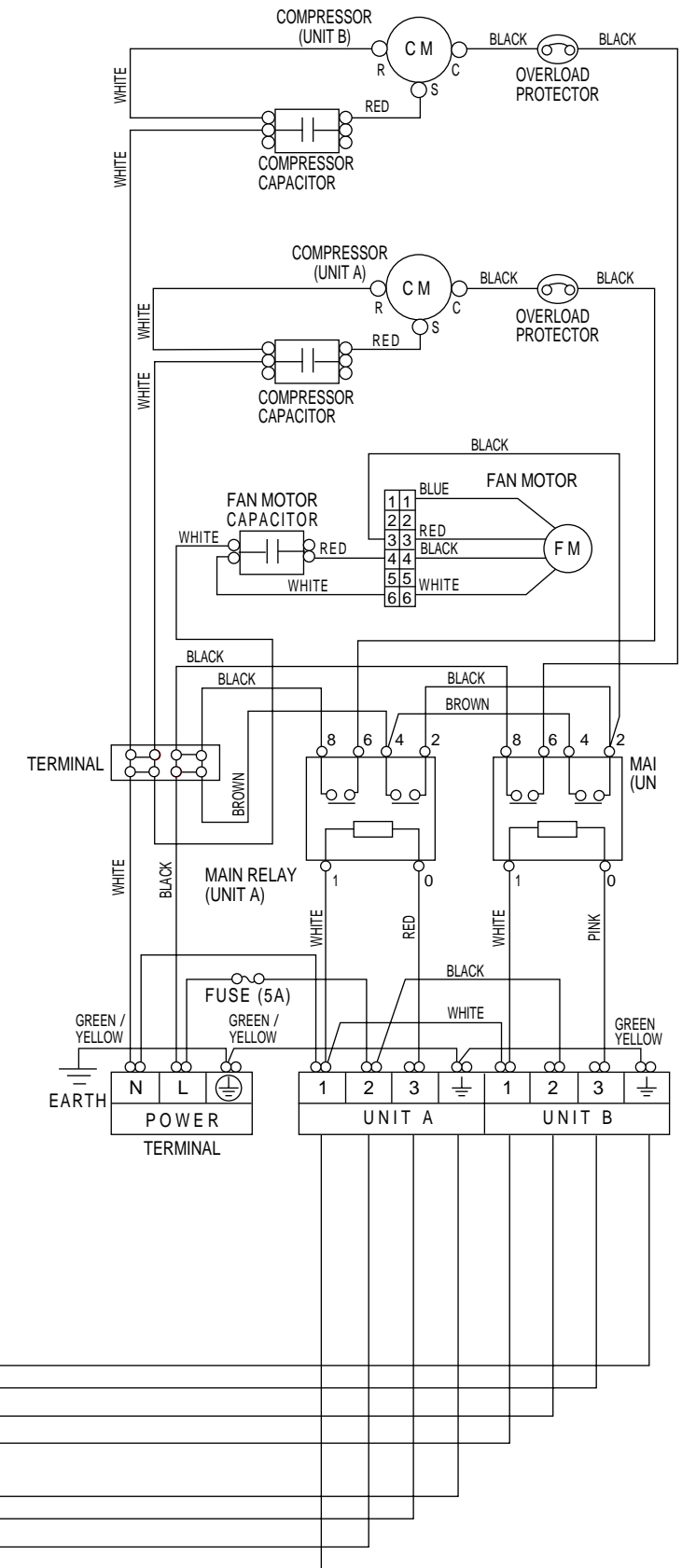
OUTDOOR UNIT



UNIT A



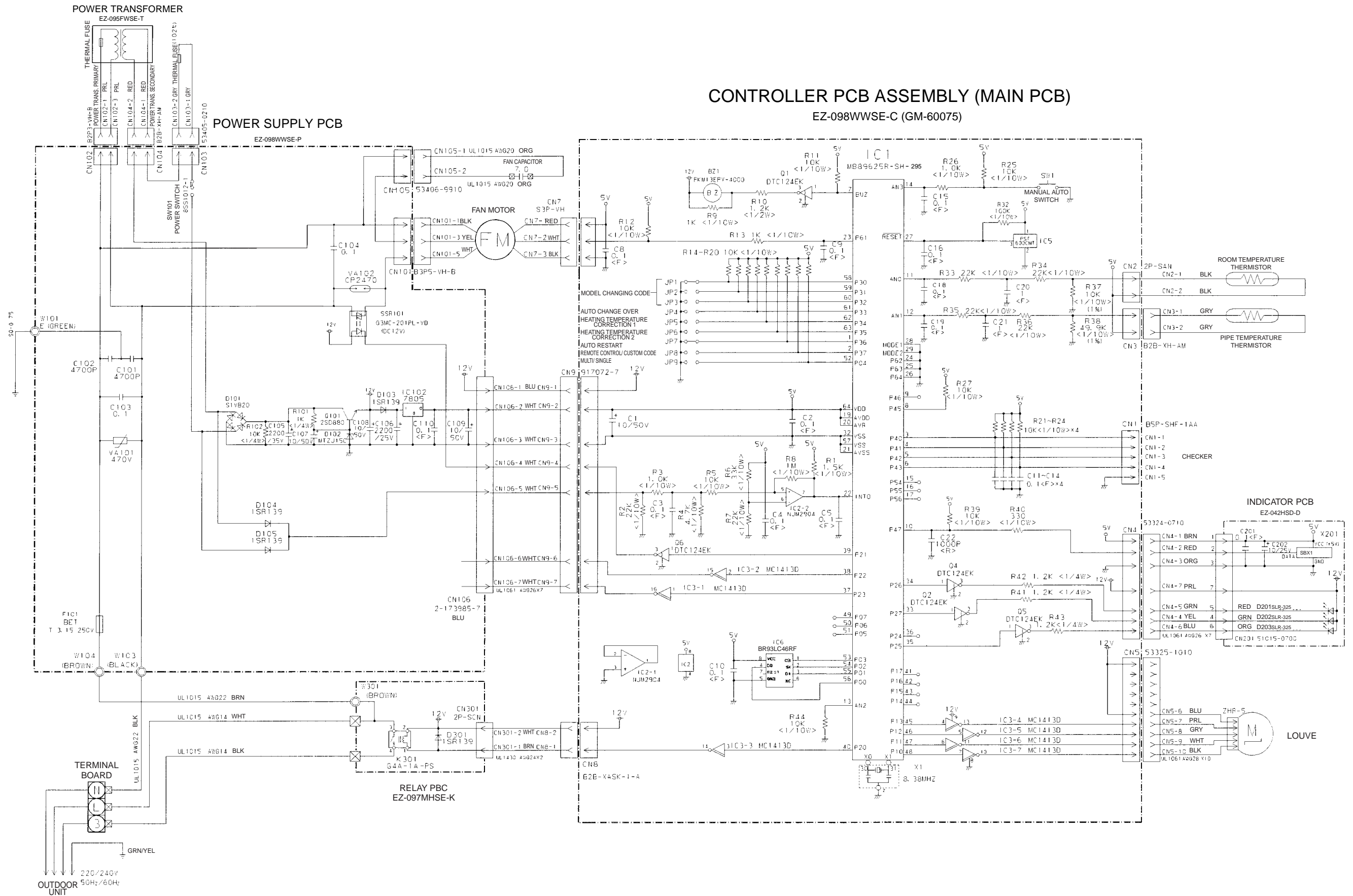
UNIT B



# INDOOR PRINTED CIRCUIT BOARD CIRCUIT DIAGRAM

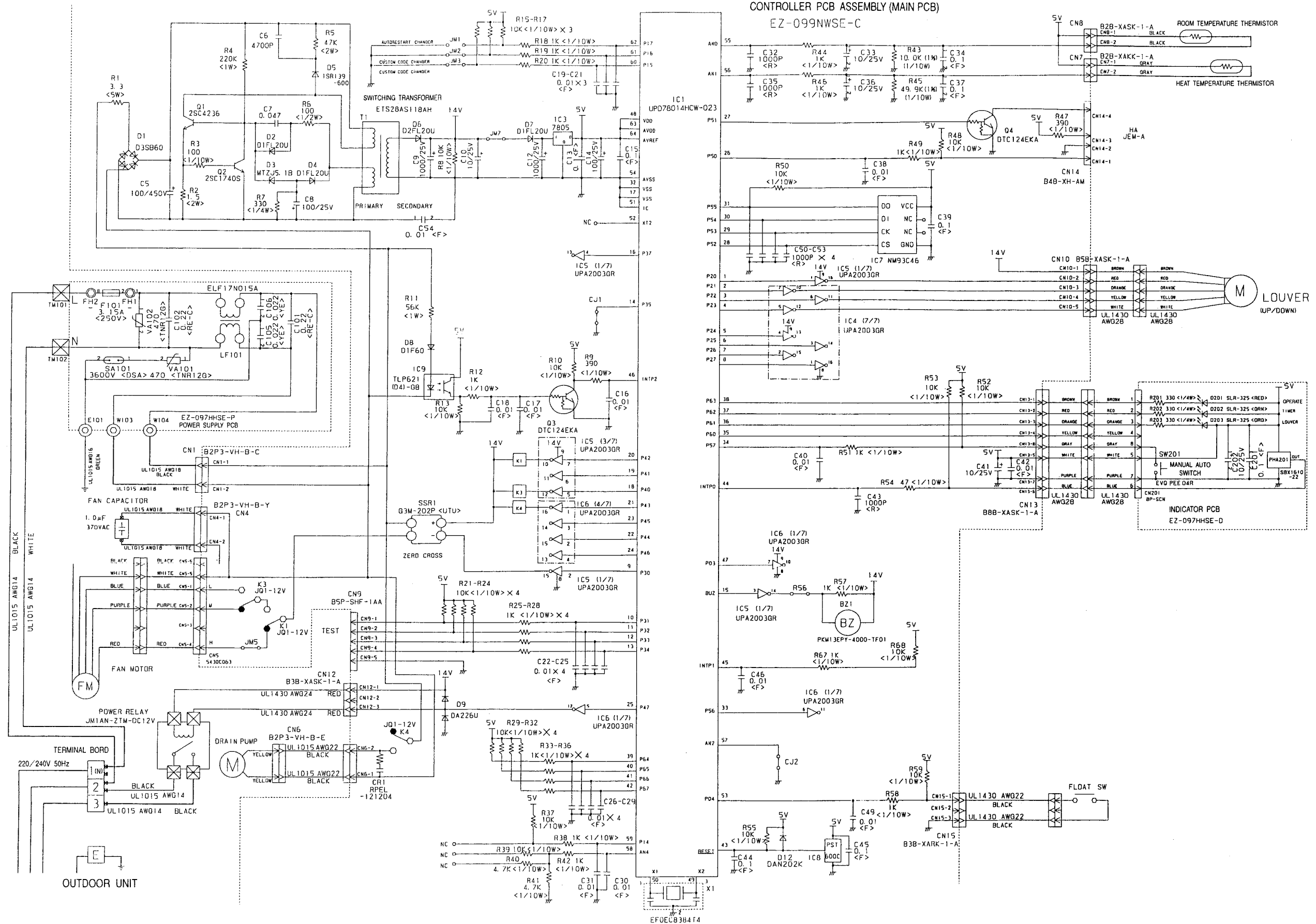
RS-12EA

## CONTROLLER PCB ASSEMBLY (MAIN PCB) EZ-098WWSE-C (GM-60075)

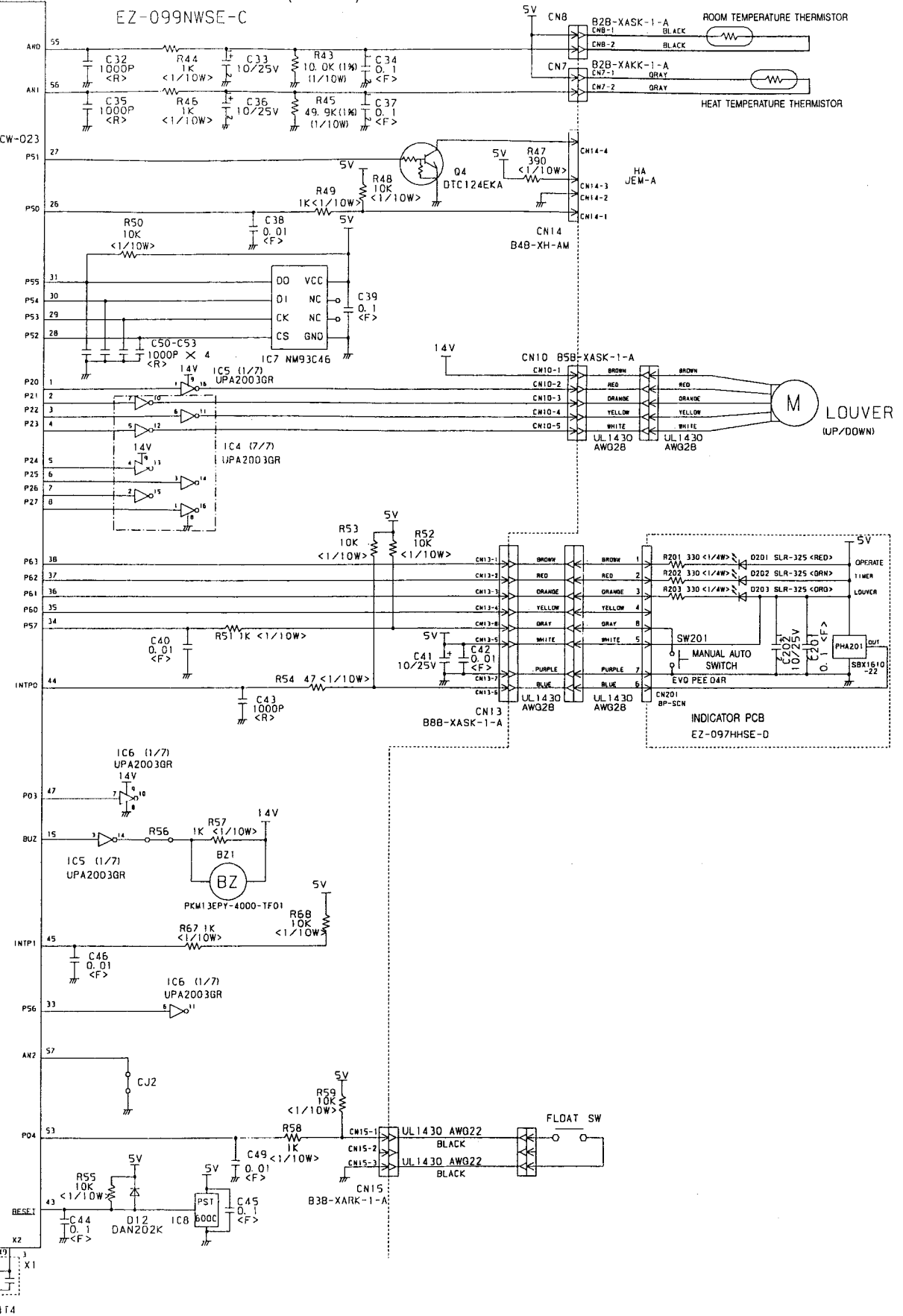




# INDOOR PRINTED CIRCUIT BOARD CIRCUIT DIAGRAM

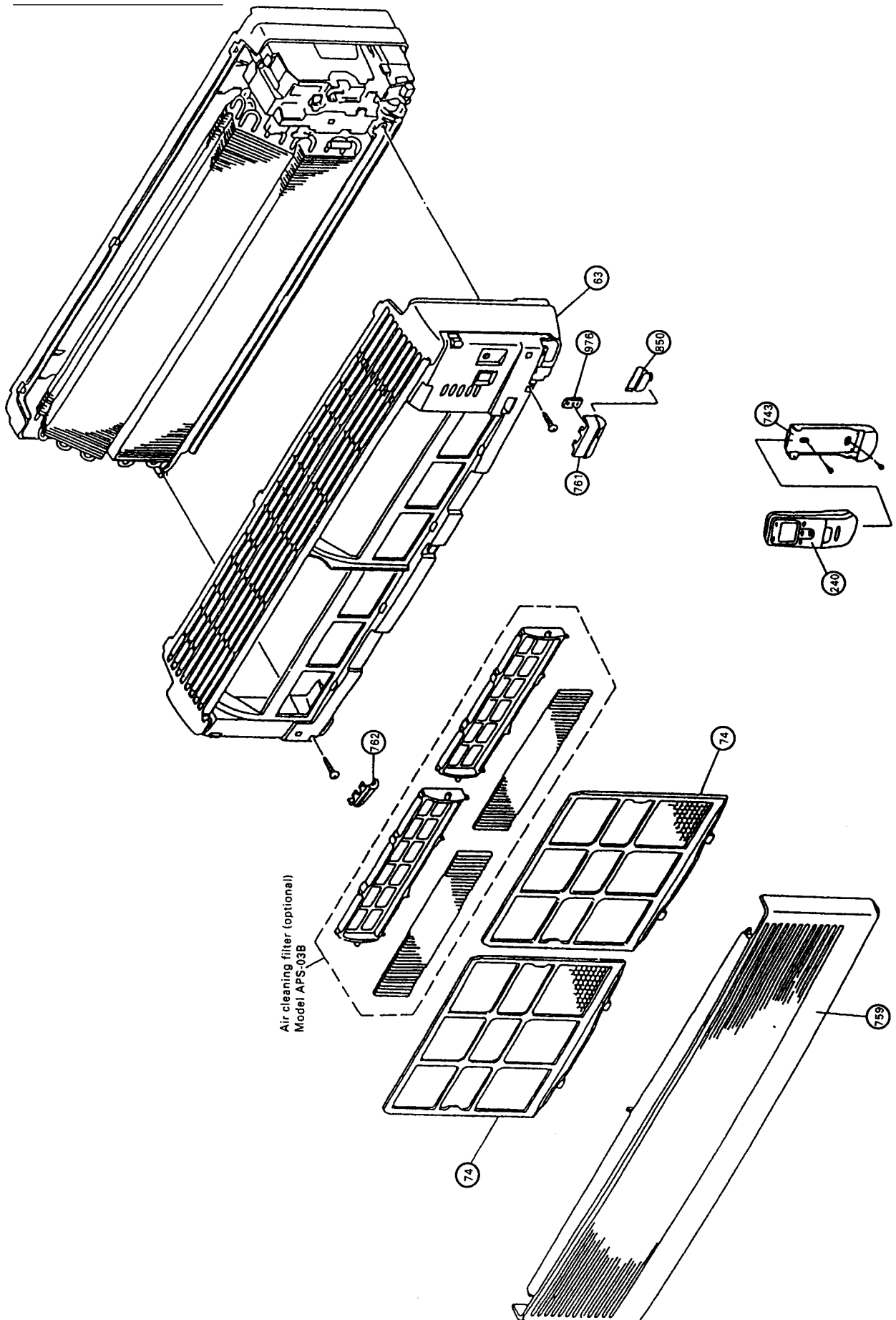


## CONTROLLER PCB ASSEMBLY (MAIN PCB) EZ-099NWSE-C

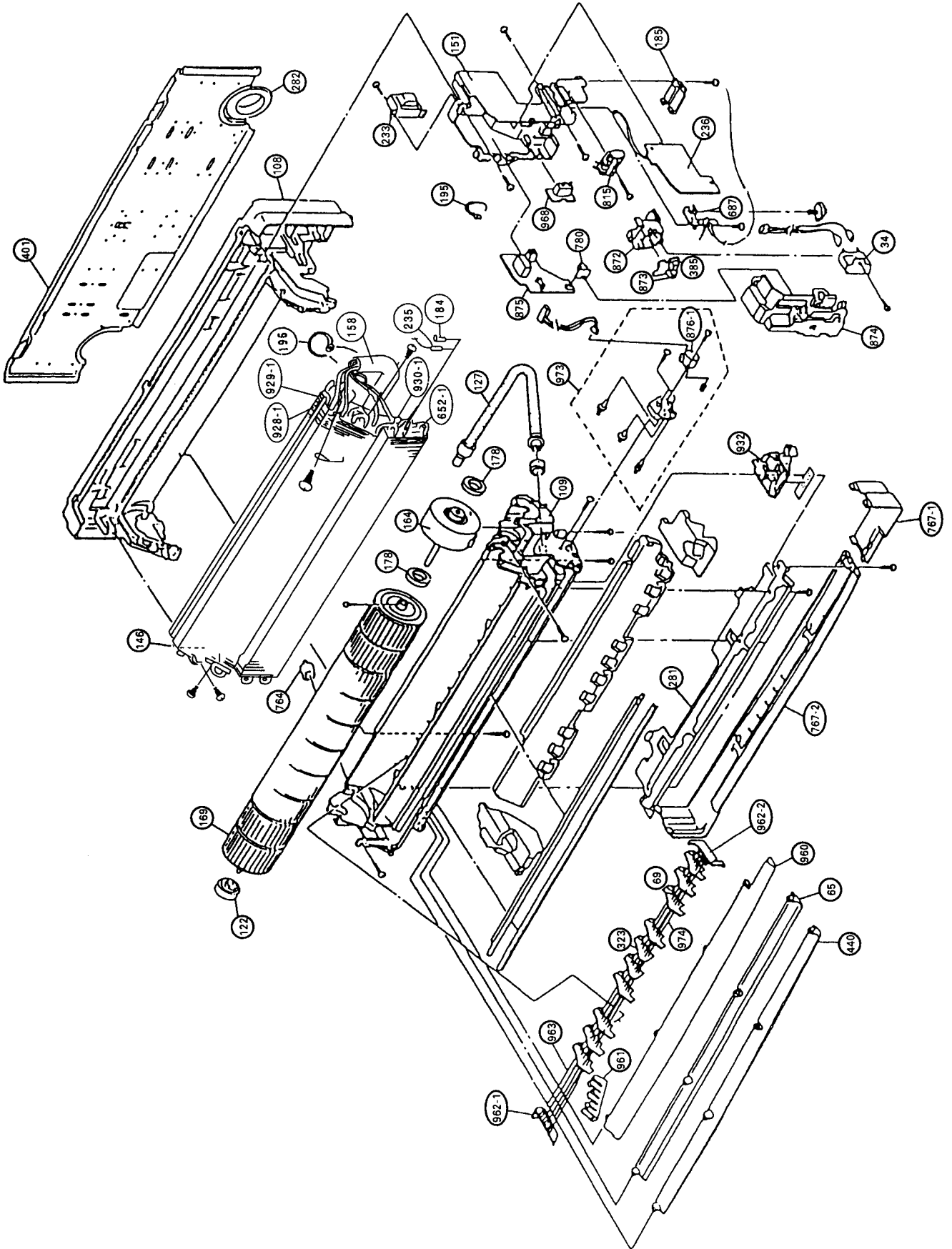


# DISASSEMBLY ILLUSTRATION

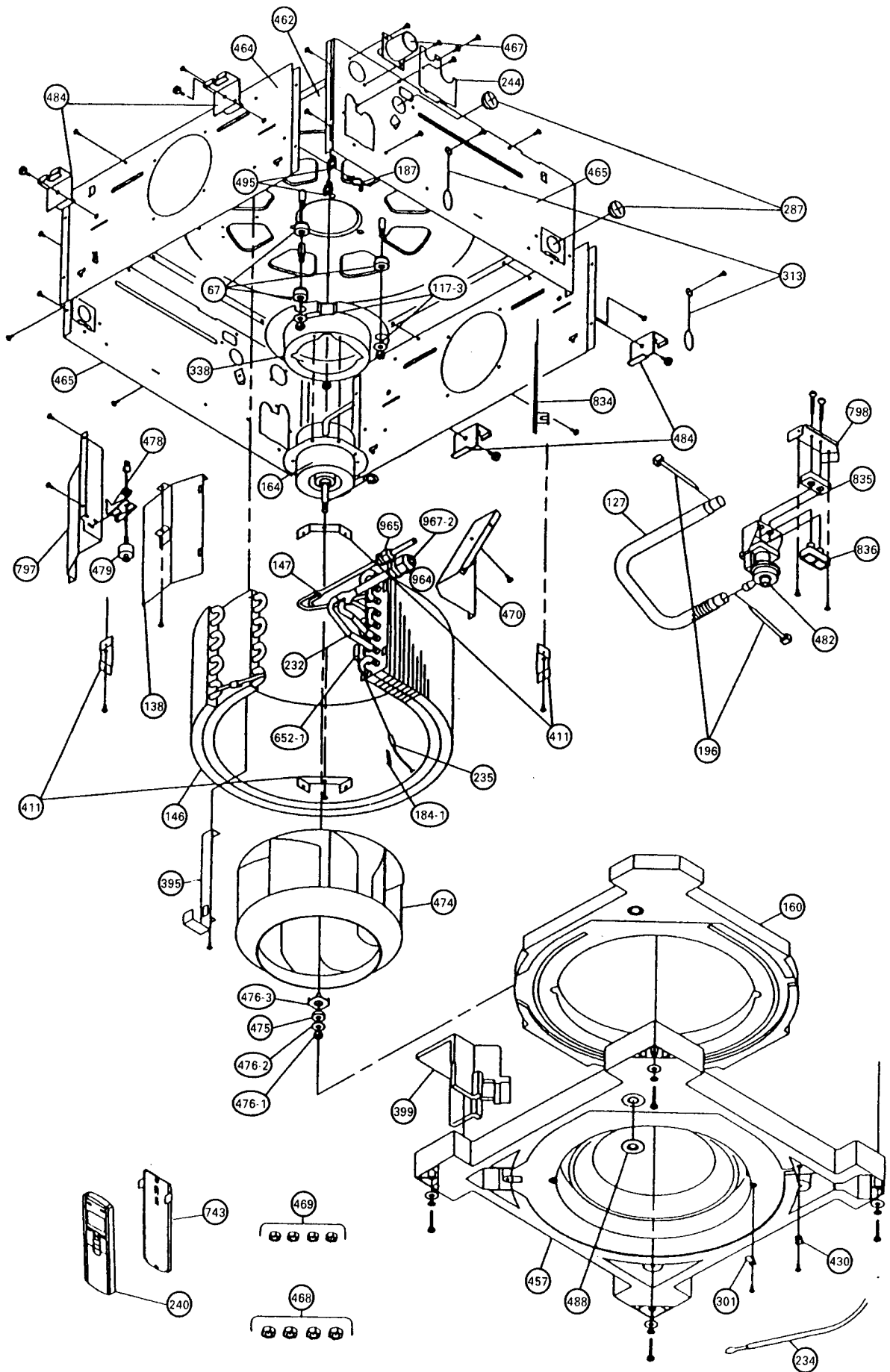
Model : RS-12EA



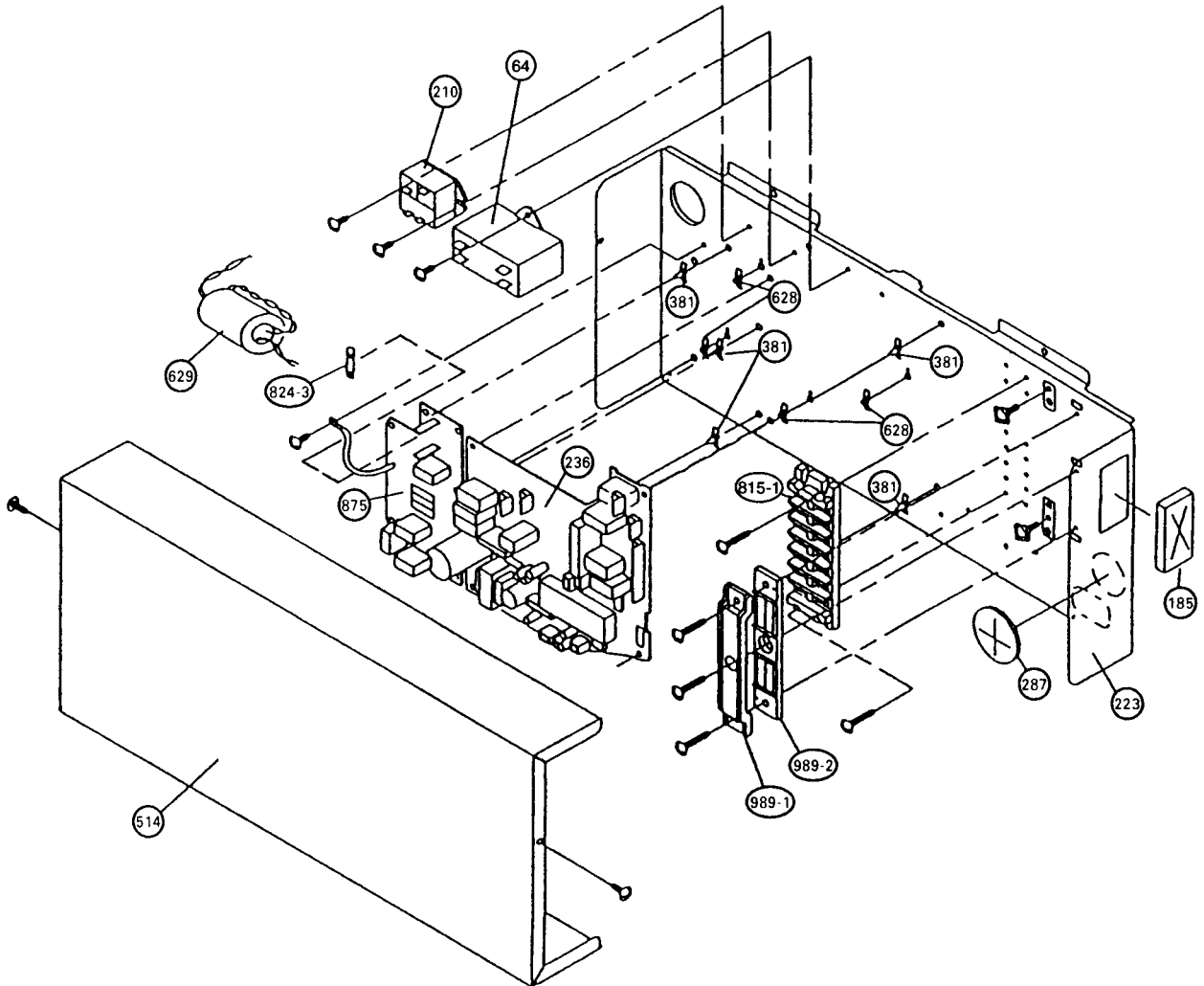
Model : RS-12EA



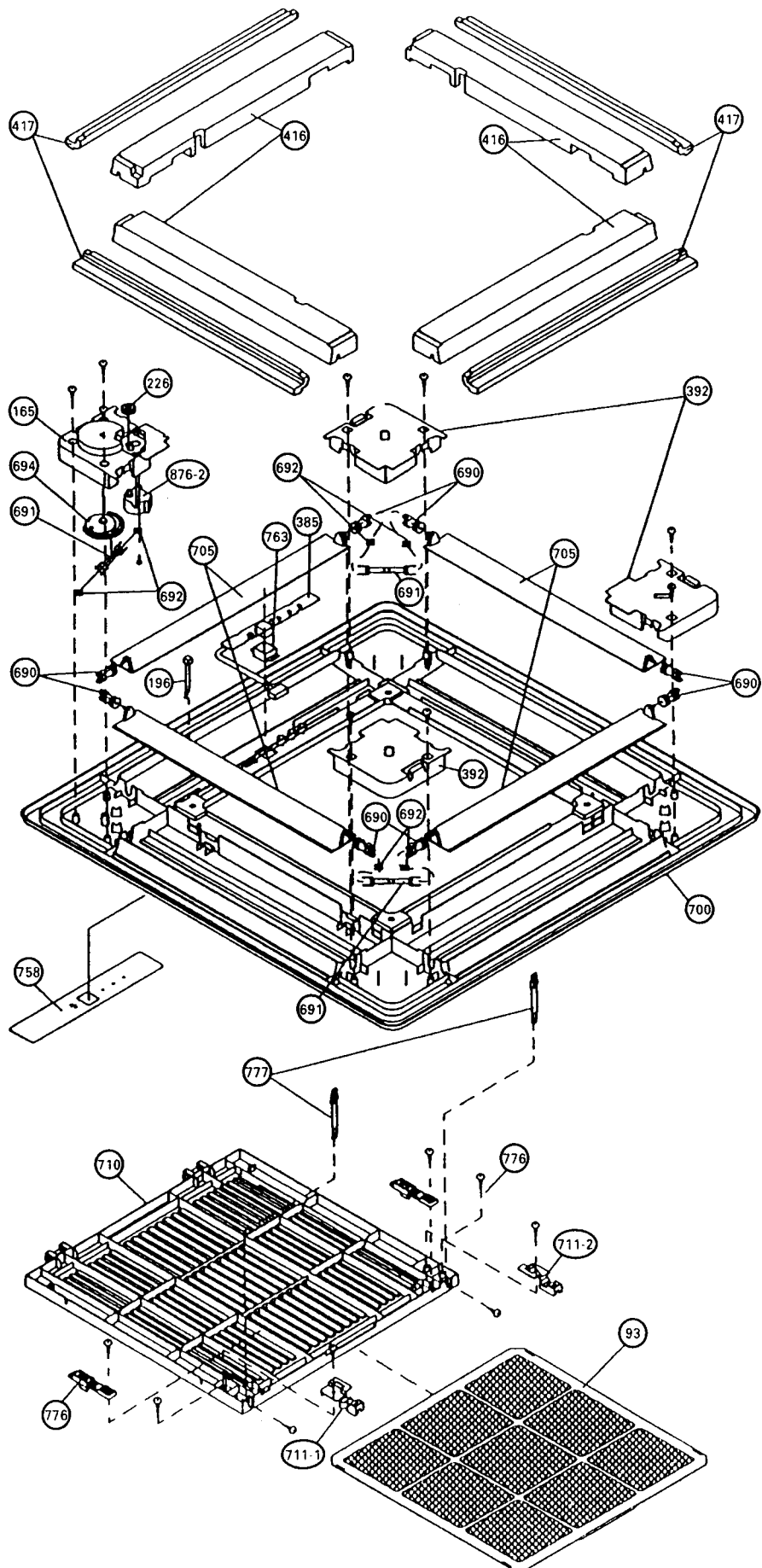
Model : RU-12EA



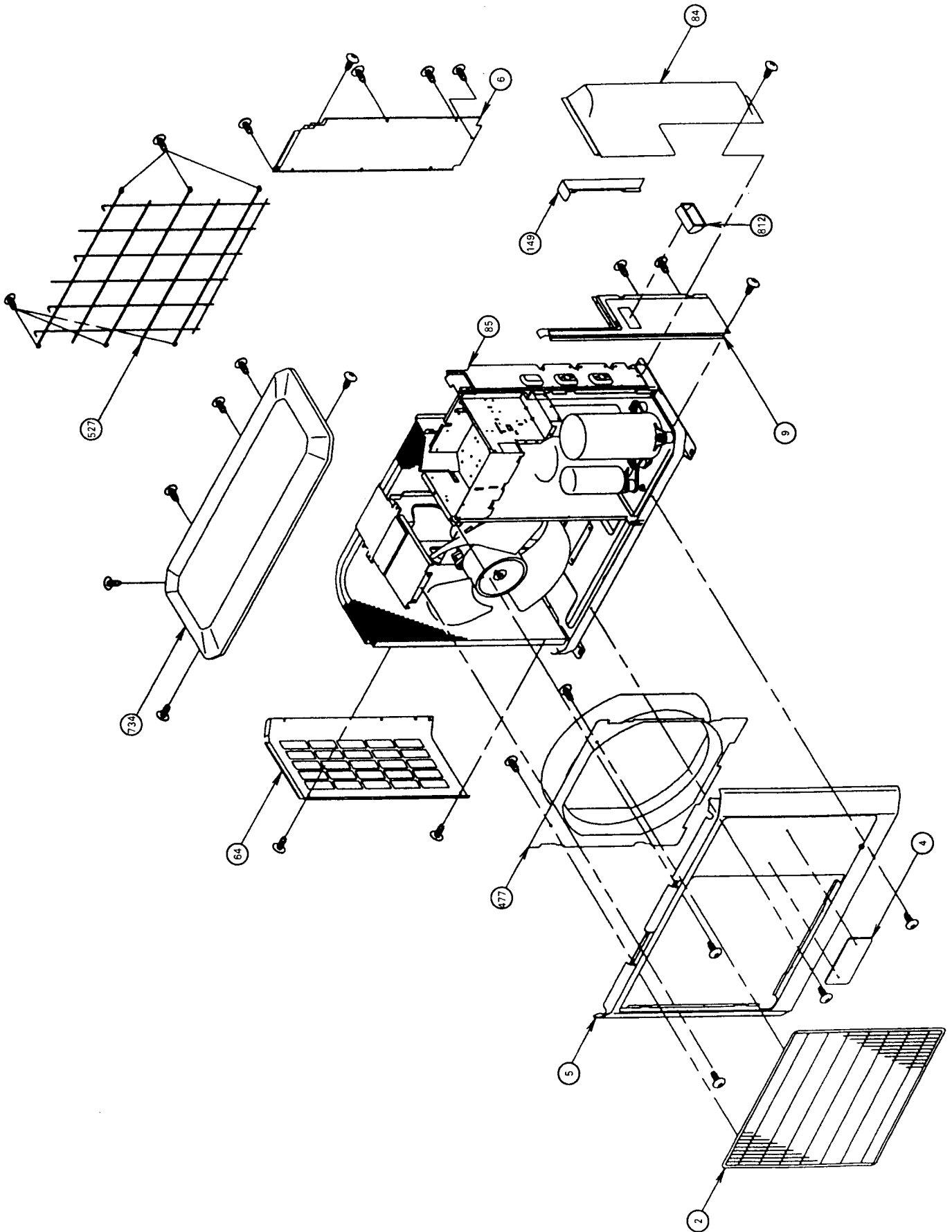
Model : RU-12EA



Model : CG-E



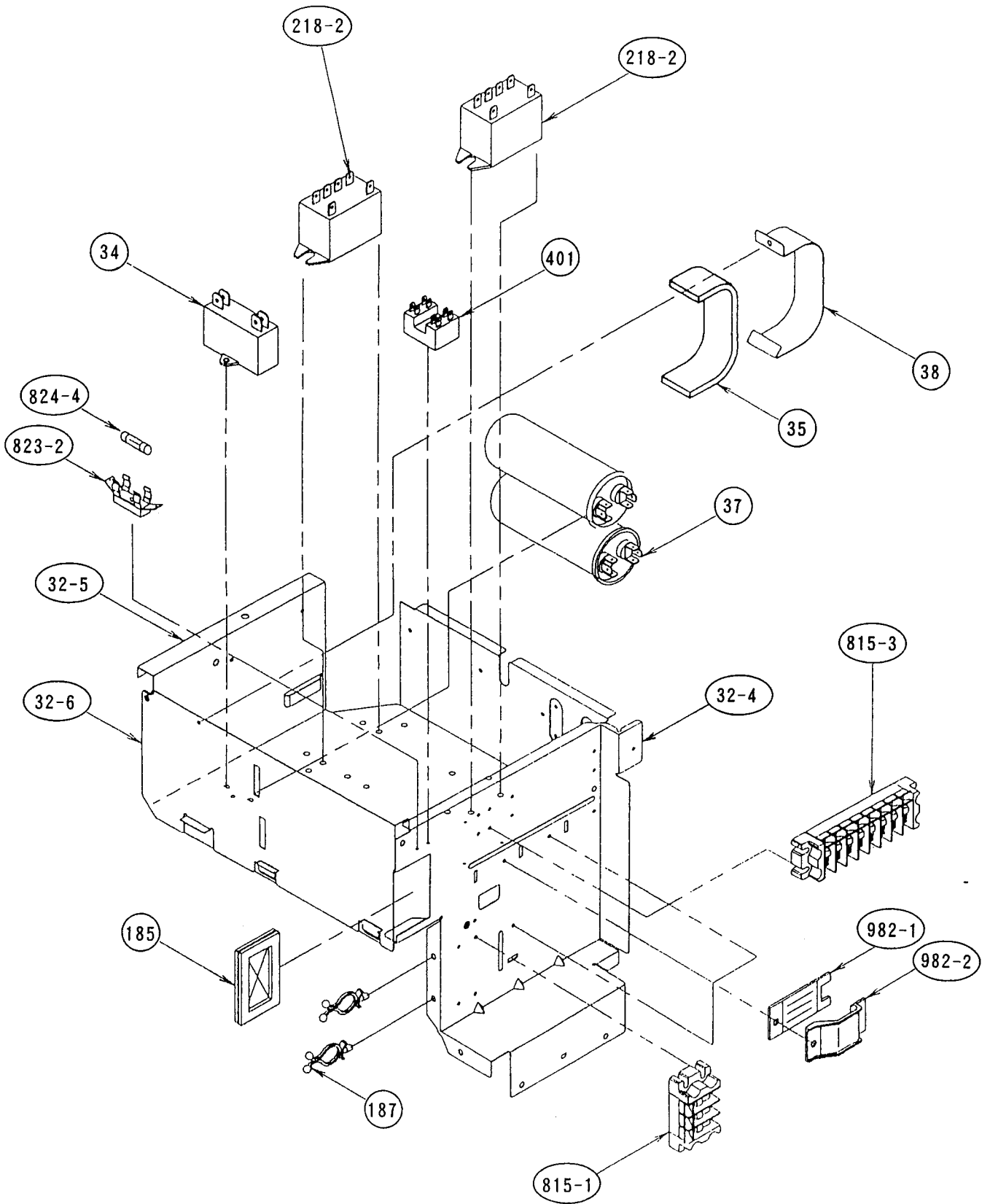
Model : RO-24EA2



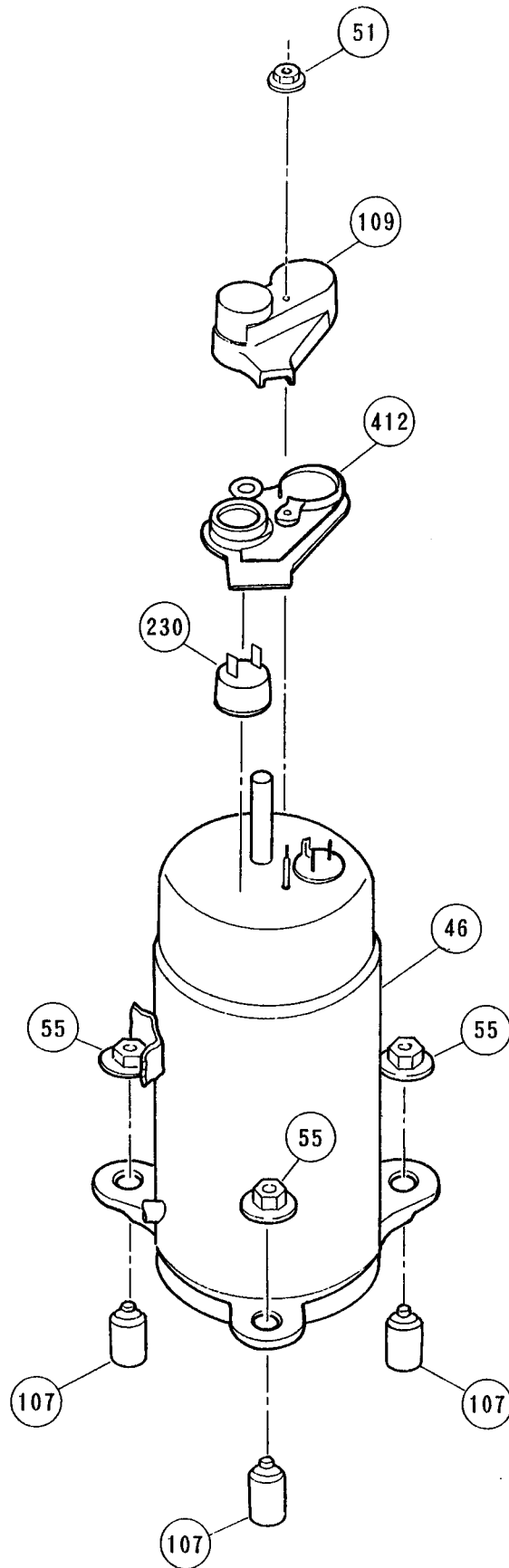




Model : RO-24EA



Model : RO-24EA



## P A R T S L I S T

### Indoor Unit

MODEL		RS-12EA		MODEL		RS-12EA	
Ref. No.	Description	Part No.	Order Q'ty	Ref. No.	Description	Part No.	Order Q'ty
34	Capacitor(Fan Motor)	9702105020		687	Earth Terminal Metal	9306483005	
63	Front Panel Assy	9305656462		743	Remote Control Holder	9305642014	
65	Flow Control Panel-Z	9305443017		759	Intake Grill "Fuji Electric"	9305441082	
69	Louver-A	9305415014		761	Side Cover-R	9305996032	
74	Filter	9364347011		762	Side Cover-L	9305437061	
108	Base	9305427017		764	Drain Cap Assy	9304150008	
109	Casing	9305411016		767-1	Bottom Cover-A	9305428014	
122	Shaft Holder-B	9303066010		767-2	Bottom Cover-B	9305429011	
127	Drain Hose Assy	9305550029		780	Key Top(Slide Switch)	9303526002	
146	Evaporator Assy	9363972016		815	Terminal-3P	9701955046	
151	Control Box	9306763015		850	Window(Receiver)	9305439010	
158	Connecting Pipe Assy	9363973006		872	Indicator Case	9305978014	
164	Fan Motor Assy-IN	9304631170		873	Lamp Cover	9305451012	
169	Cross-flow Fan Assy	9307836015		874	Control Box Cover	9305977017	
178	Motor Cushion-A	9303528006		875	Power Supply PCB Assy	9702440015	
184	Thermistor Spring	313104262701		876-1	Step Motor	9305780006	
185	Cord Clamp	9305940004		928-1	U-Pipe(BB)	9305747009	
195	Clamp SKB-100	313361275805		929-1	U-Pipe(V)	9305748006	
196-2	Clamp SKB-150	313035356905		930-1	U-Pipe(W)	9305749003	
233	Power Transformer	9701803026		932	Outlet Cover	9305414017	
235	Thermistor Assy-(Pipe)	9702325015		960	Diffuser	9305412013	
236	Controller PCB Assy	9702456160		961	Guard Clamp	9306332013	
240	Remote Control Unit	9307113062		962-1	Guard Holder-L	9305753017	
281	Clamp Metal(Pipe)	9306192006		962-2	Guard Holder-R	9305752010	
282	Wall Cap-B(Accessory)	313714296205		963	Fan Guard	9305751013	
323	Louver-B	9305597017		968	Relay PCB Assy EZ-09MHSE-K	9702443016	
385	Indicator PCB Assy EZ-042HSD-D	9701364015		973	Gear Assy (w/Step Motor)	9305452002	
401	Wall Hook Bracket	9304358008		974	Joint(Louver)	9305416011	
440	Flow Control Panel-U	9306173043		976	Window(Indicator)	6305440016	
652-1	Thermistor Holder Pipe	313714262805					

### Indoor Unit

MODEL		RU-12EA		MODEL		RU -12EA	
Ref. No.	Description	Part No.	Order Q'ty	Ref. No.	Description	Part No.	Order Q'ty
64	Capacitor(Fan Motor)	9350974030		185	Rubber Bushing	313005066051	
67	Rubber(Vibration Proof)	9361279001		187	Clamp No.1219	313361271706	
117-3	Special Washer M6	313306391007		196	Clamp SKB-150	313035356905	
127	Drain Hose	9359659013		210	Main Relay	9356781007	
138	Separate Wall-A	9359647003		223	Control Box	9359661016	
146	Evaporator Assy	9363687002		232	Outlet Pipe(Eva.)Assy	9363689006	
147	Inlet Pipe(Eva.)Assy	9363688009		234	Thermistor Assy	9701946037	
160	Drain Pan	9359651000		235	Thermistor Assy	9701947027	
164	Fan Motor Assy-IN	9600803011		236	Controller PCB Assy	9702348021	
184-1	Thermo. Spring-A	313728262708		240	Remote Control Unit	9359913085	

**Indoor Unit (Continued)**

MODEL		RU-12EA		MODEL		RU-12EA	
Ref. No.	Description	Part No.	Order Q'ty	Ref. No.	Description	Part No.	Order Q'ty
244	Pipe Cover	9359646006		479	Float Switch	313005416154	
287	Cap(Power)	9352173011		482	Pump Unit	9359974000	
301	Clamp NK-2N	313985355201		484	Hanger Metal	9359644002	
313	Hooking Wire	9359983002		488	Drain Pan Plug	9359653004	
338	Motor Fixture	9359656005		495	Clamp No.2U46	9352715006	
381	Locking Spacer	313209391506		514	Control Box Cover	9359662006	
395	Supporter(Eva.)	9359669005		628	Locking Spacer-B	313005446558	
399	Air Duct	9359660002		629	EMI Filter	0400197119	
411	Supporter-A	9359655008		652-1	Thermo.Holder Pipe	313806262805	
430	Clamp NK-7N	313095365602		743	Remote Control Unit Holder	9359955016	
457	Drain Pan Support	9359652007		797	Separate Wall-C	9359649007	
462	Top Cover Plate	9359542015		798	Pump Hook Bracket	9359650003	
464	Body-A	9359643005		815-1	Terminal-3P	9358660027	
465	Body-B	9359645009		824-3	Fuse	0600222512	
467	Drain Port	313005415658		834	Wire Cover	9359878001	
468	Special Nut-A(Large)	313005446653		835	Cushion-A(For Pump)	9352211003	
469	Special Nut-B(Small)	313005446759		836	Cushion-B(For Pump)	9356084016	
470	Separate Wall-B	9359648000		875	Filter PCB Assy	9702326012	
474	Turbo Fan	9359658009		964	Flare Nut-A	313996239804	
475	Turbo Fan Rubber	313005445054		965	Flare Nut-B	9351062019	
476-1	Special Nut M8	313005360755		967-2	Bonnet-B	9301858006	
476-2	Special Washer	301801185049		989-1	Cord Clamp-A	9359822011	
476-3	Special Washer	9359954002		989-2	Cord Clamp-B	9359823018	
478	Sensor M.Bracket	9359654001					

**Grille Assy**

MODEL		CG-E		MODEL		CG-E	
Ref. No.	Description	Part No.	Order Q'ty	Ref. No.	Description	Part No.	Order Q'ty
93	Filter	9359632009		694	Cam Gear	9359628002	
165	Motor Cover	9359623014		700	Panel	9359619017	
196	Clamp SKB-150	313035356905		705	Louver	9359624011	
226	Motor Gear	9359629009		710	Intake Grille	9360543011	
385	Indicator PCB Assy	9702224011		711-1	Filter Clamp-A	9359634003	
392	Cover-A	9359622017		711-2	Filter Clamp-B	9359635000	
416	Insulation(Panel)-A	9359620006		758	Decoration Plate-A	9360862013	
417	Insulation(Panel)-B	9359621003		763	Receiver Cover	9359630005	
690	Joint-A	9359626008		776	Grille Stopper	9359633013	
691	Joint-B	9359627005		777	Grille Hook	9359761006	
692	Joint Shaft	9359625001		876-2	Step Motor-V	9360307019	

## Outdoor Unit

MODEL		RO-24EA2		MODEL		RO-24EA2	
Ref. No.	Description	Part No.	Order Q'ty	Ref. No.	Description	Part No.	Order Q'ty
2	Fan Cover	9359808015		109	Terminal Cover(For Comp.)	9351920012	
4	Emblem"FUJI ELECTRIC"	9361328006		117-3	Hexagon Nut(Spring Lock Washer)	301721180114	
5	Cabinet-A,Painted	9359797043		128-1	Rubber(Discharge Pipe)	313155086308	
6	Cabinet-C,Painted	9359825029		149	Water Seal Plate	9359841029	
9	Cabinet-B,Painted	9359824022		185	Rubber Bushing	313005066051	
12	Base Assy,Painted	9359813019		187	Clamp No.1219	313361271706	
13-1	3-Way Valve	9363596007		218-2	Power Relay	9363083002	
14-1	2-Way Valve	9363098006		230	Overload Relay	9363648003	
15	Dryer Assy	9363594003		328	Compressor Plate Assy	9359830016	
16	Condenser Assy	9363089004		334-1	Suction Pipe-B1	9363609004	
18	Suction Pipe-A	9363591002		334-2	Suction Pipe-B2	9363610000	
26	Compressor Cover	9363111002		348	Outlet Pipe	9363595000	
29	Separate Wall	9359805014		401	Terminal-2P	9701971015	
32-4	Control Box Metal-D	9361247000		412	Terminal Gasket(For Comp.)	9351921019	
32-5	Control Box Metal-E	9361248007		450-1	Discharge Pipe-A1	9363602005	
32-6	Control Box Metal-F	9361249004		450-2	Discharge Pipe-A2 Assy	9363603002	
34	Capacitor(Fan Motor)	9703306051		450-3	Discharge Pipe-B1 Assy	9363606003	
35	Control Box Insulation-H	9361521001		450-4	Discharge Pipe-B2	9363607000	
37	Running Capacitor	9356386035		477	Bell Mouth	9359809012	
38	Clamp Metal(Capacitor)	9352123009		527	Protective Net(Condenser)	9359845010	
39	Propeller Fan	9359837015		620	Inlet Pipe	9363593006	
41	Fan Motor,Induction-OUT	9600832011		653-1	Bolt(Fan Motor Fixing)	0700156014	
45-1	Motor Bracket	9359802013		734	Cabinet Top Plate	9359799023	
45-2	Motor Bracket-Top	9359803010		812	Grip	9352157004	
46	Compressor Assy	9363592009		815-1	Terminal-3P	9358660027	
51	Special Nut(For Comp.)	313199233602		815-3	Terminal-8P	9358660119	
55	Special Nut M8(For Comp.)	313199233006		823-2	Fuse Holder	0500063024	
64	Cabinet-Left,Painted	9359840046		824-4	Fuse	0600222529	
69-3	Hexagon Bolt(Cross recessed)	301210060360		827	Capillary-A Assy	9363611007	
84	Valve Cover	9359834014		828	Capillary-B Assy	9363612004	
85	Valve Plate-B Assy, Painted	9361251021		982-1	Cord Clamp	9356857009	
107	Rubber Seat-A(For Comp.)	9351813017		982-2	Cord Clamp-B	9356858006	

## CONTROLLER PCB ASSEMBLY (Ref. No.236)

MODEL		RS-12EA		MODEL		RS-12EA	
Ref. No.	Description	Part No.	Order Q'ty	Ref. No.	Description	Part No.	Order Q'ty
IC1	IC MB89625R-SH-697	1301535024		JC2~4,	Res. 0Ω	0200230016	
IC2	IC NJM2904M	0100534054		6~9,			
IC3	IC MC1413D	0101736013		11~17			
IC5	IC PST600CMT	0101461120		C1	Cap. Elec. 50V 10 $\mu$ F	0300003145	
IC6	IC BR93LC46RF-E2	0100295016		C2~5,8	Cap. Ceramic 25V 0.1 $\mu$ F	1902783046	
Q1,2,	Xstr DTC124EKA	0000936033		~16,18,			
4~6				19			
R1	Res. 1.5kΩ ±5%	0200212784		C20,21	Cap. Ceramic 16V 1 $\mu$ F	1800119015	
R2,7,	Res. 22kΩ ±5%	0200213095		C22	Cap. Ceramic 50V 1000pF	1902829072	
33~36				BZ1	Buzzer	9701298013	
R3,9,	Res. 1kΩ ±5%	0200212746			PKM13EPY-4000-TF01		
13,26				X1	Ceramic Resonator	1300116019	
R4	Res. 4.7kΩ ±5%	0200212906			CST8.38MTW-TF01		
R5,11,	Res. 10kΩ ±5%	0200213019		SWE1	Key Switch EVQ-PFE-04R	1903256013	
12,14~				JP1	Res. 0Ω	0200230016	
25,27,				JP7,8,10	Wire IPS-3043-02	1903332014	
39,44,				CN1	Plug,PCB B5P-SHF-1AA	0500006069	
46,47				CN2	Thermistor 150-103-86116	9702324018	
R6	Res. 33kΩ ±5%	0200213132		CN3	Plug,PCB B2B-XH-AM	0500005321	
R8	Res. 1MΩ ±5%	0200213491		CN4	Plug,PCB 53324-0710	0501052065	
R10	Res. 1.2kΩ ±5%	0201001769		CN5	Plug,PCB 53325-1010	0501052591	
R32	Res. 100kΩ ±5%	0200213255		CN7	Plug,PCB S3P-VH	0500011308	
R37	Res. 10kΩ ±0.5%	0200344010		CN8	Plug,PCB B2B-XASK-1-A	0501045012	
R38	Res. 49.9kΩ ±0.5%	0200344683		CN9	Plug,PCB 917072-7	0501065010	
R40	Res. 330Ω ±5%	0200212623					
R41~43	Res. 1.2kΩ ±5%	0200691534					

## POWER SUPPLY PCB ASSEMBLY (Ref. No. 875)

MODEL		RS-12EA		MODEL		RS-12EA	
Ref. No.	Description	Part No.	Order Q'ty	Ref. No.	Description	Part No.	Order Q'ty
IC102	IC $\mu$ PC7805AHF	0100008036		R102	Res. Carbon 1/4W	0201005019	
Q101	Xstr. 2SD880	0000001014			10kΩ ±5%		
D101	Diode S1VB20	0000292054		SSR101	Relay G3MC-201PL-VD	9702430016	
D102	Diode MTZJ15C	0000852203		HT101	Heat Sink B.PUE-16	9701376018	
D103	Diode 1SR139-400	0000353137		FH101,	Fuse Holder PFC5000-0502	0500158072	
~105				102			
C101,	Cap. Ceramic 4700pF	0300209110		CN101	Plug, PCB B3P5-VH-B	0500011735	
102				CN102	Plug, PCB B2P3-VH-B	0500011728	
C103,	Cap. Plastic 0.1 $\mu$ F	0300304075		CN103	Plug, PCB 53405-0210	0500940011	
104				CN104	Plug, PCB B2B-XH-AM	0500005321	
C105	Cap. Elec. 35V 2200 $\mu$ F	0300331118		CN105	Plug, PCB 53406-9910	0500951048	
C106	Cap. Elec. 25V 2200 $\mu$ F	0300327111		CN106	Wire w/Connector	9701424016	
C107	Cap. Elec. 50V 10 $\mu$ F	0301192541			2-173985-7 L=100		
~109				W101	Wire w/Terminal L=210	9701660018	
C110	Cap. Ceramic 0.1 $\mu$ F	0300988251		W103	Wire w/Terminal L=225 BLK	9701657018	
SW101	Slide Switch 8SS1012-1	9701426010		W104	Wire w/Terminal L=150 BRN	9701658015	
VA101	Varistor ERZ-V10V471CS	0000515139		JM101,	Wire 0.6mm dia. L=10mm	9700025016	
VA102	Arrester CP2470-F	9701835010		104			
F101	Fuse BET 3.15A-250V	0600222512		JM102	Wire Assembly IPS-1041-2	9700035015	
L101	Line Filter ELF15N015A	0400165118		JM103	Wire 0.6mm dia.L=7.5mm	9701076017	
R101	Res. Carbon 1/4W	0201038758					
	1kΩ ±5%						

**INDICATOR PCB ASSEMBLY (Ref. No. 385)**

MODEL		RS-12EA		MODEL		RS-12EA	
Ref. No.	Description	Part No.	Order Q'ty	Ref. No.	Description	Part No.	Order Q'ty
D201	Diode SLR-325VC RED	0000813259		X201	Remote Control Amplifier	0101525129	
D202	Diode SLR-325MC GRN	0000813242			SBX1810-22		
D203	Diode SLR-325DC ORG	0000813235		CN201	Wire w/Connector L=230	9701397013	
C201	Cap. Ceramic 0.1 $\mu$ F	0300988251			Lamp Cover	9305451012	
C202	Cap. Elec. 25V 10 $\mu$ F	0300504413					

**RELAY PCB ASSEMBLY (Ref. No. 968)**

MODEL		RU-12EA		MODEL		RU-12EA	
Ref. No.	Description	Part No.	Order Q'ty	Ref. No.	Description	Part No.	Order Q'ty
D301	Diode 1SR139-400	0000353137		CN301	Wire w/Connector L=140	9701279012	
K301	Relay G4A-1A-PS	9701024018					

**CONTROLLER PCB ASSEMBLY (Ref. No. 236)**

MODEL		RU-12EA		MODEL		RU-12EA	
Ref. No.	Description	Part No.	Order Q'ty	Ref. No.	Description	Part No.	Order Q'ty
IC1	IC $\mu$ PD78014HCW-023	9700511014		R40,41	Res. 4.7k $\Omega$ $\pm$ 5%	0200212906	
IC3	IC NJM 7805FA	0100462081		R43	Res. 10k $\Omega$ $\pm$ 1%	0200279497	
IC4~6	IC $\mu$ PA2003GR	0100028041		R45	Res. 49.9k 1%	0200279824	
IC7	IC NM93C46M8-X	0101622026		R54	Res. 47 $\Omega$ $\pm$ 5%	0200212425	
IC8	IC PST600CMT	0101461120		JC2~	Res. 0 $\Omega$	0200230016	
IC9	Photocoupler TLP 621(D4)-GB	0000117074		4,6~9,			
Q1	Xstr 2SC4236	0000164047		11~17,			
Q2	Xstr 2SC1740S	0000699235		JP1~3			
Q3,4	Xstr DTC124EKA	0000936033		C5	Cap. Elec. 450V 100 $\mu$ F	0300256060	
R1	Res. Wire Wound 5W 3.3k $\Omega$ $\pm$ 5%	0200244372		C6	Cap. Plastic 4700pF	0300269091	
R2	Res. Metal 2W 1.5k $\Omega$ $\pm$ 5%	0201107119		C7	Cap. Plastic 50V 0.047 $\mu$ F	0300169339	
R3	Res. 100 $\Omega$ $\pm$ 5%	0200212500		C8	Cap. Elec. 25V 100 $\mu$ F	0301197560	
R4	Res. Carbon 220k $\Omega$ $\pm$ 5%	0200111353		C9	Cap. Elec. 25V 1000 $\mu$ F	0301196495	
R5	Res. Metal 2W 47k $\Omega$ $\pm$ 5%	0201107652		C10,33,	Cap. Elec. 25V 10 $\mu$ F	0301192312	
R6	Res. 100 $\Omega$ $\pm$ 5%	0200731506		36,41			
R7	Res. 330 $\Omega$ $\pm$ 5%	0200708621		C12	Cap. Elec. 25V 1000 $\mu$ F	0301158264	
R8,10,	Res. 10k $\Omega$ $\pm$ 5%	0200213019		C13,15,	Cap. Ceramic 50V 0.1 $\mu$ F	0300311752	
13,15,				34,37,			
21~24,				39,44,45			
29~32,				C14	Cap. Elec. 25V 100 $\mu$ F	0301192350	
37,39,				C16,17,	Cap. Ceramic 50V 0.01 $\mu$ F	0300311738	
48,50,				19~31,			
52,53,				38,40,			
55,59,				42,46,49			
68,16,17				C32,35,	Cap. Elec. 50V 1000pF	0300308509	
R9,47	Res. 390 $\Omega$ $\pm$ 5%	0200212647		43,			
R11	Res. Metal 1W 56k $\Omega$ $\pm$ 5%	0201106662		50~53			
R18~	Res. 1k $\Omega$ $\pm$ 5%	0200212746		C54	Cap. Ceramic 0.01 $\mu$ F	0300209127	
20,				BZ1	Buzzer PKM13EPY-4000-TF01	9701298013	
25~28,				X1	Ceramic Resonator EF0EC8384T4	9701261017	
33~36,				CN1	Plug. PCB B2P3-VH-B-C	0500011773	
38,42,				CN4	Plug. PCB B2P3-VH-B-Y	0500011827	
44,46,				CN5	Plug. PCB 5430C063	0500957026	
49,51,				CN6	Plug. PCB B2P3-VH-B-E	0500011759	
57,58,				CN7	Plug. PCB B2B-XAKK-1-A	0501045227	
67,12				CN8	Plug. PCB B2B-XASK-1-A	0501045012	
				CN9	Plug. PCB B5P-SHF-1AA	0500006069	

**CONTROLLER PCB ASSEMBLY (Ref. No. 236)**

MODEL		RU-12EA		MODEL		RU-12EA	
Ref. No.	Description	Part No.	Order Q'ty	Ref. No.	Description	Part No.	Order Q'ty
CN10	Plug, PCB B5B-XASK-1-A	0501045043		T1	Switching Transformer ETS28AS118AH	9702727017	
CN12	Plug, PCB B3B-XASK-1-A	0501045029		D1	Diode D3SB60	0000689045	
CN13	Plug, PCB B8B-XASK-1-A	0501045074		D2,4,7	Diode D1FL20U	0000746519	
CN14	Plug, PCB B4B-XH-AM	0500005314		D3	Diode MTZJ5.1B	0000852166	
CN15	Plug, PCB B3B-XARK-1-A	0501045319		D5	Diode 1SR139-600	0000353120	
CR1	CR Absorber RPEL-121204-C	9701125012		D6	Diode D2FL20U	0000906500	
CJ1,	Res. 0Ω	0200212012		D8	Diode D1F60	0000208024	
CJ2,				D9	Diode DA226U	0000625036	
R56,				D12	Diode DAN202K	0000684019	
JM7				JM2~6	Wire 0.6 dia. L=10mm	9700025016	
K1,3,4	Relay JQ1-12V	9701316014		JM9	Res. 0Ω	0200230016	
SSR1	Relay G3M-202P-UTU	9701829019					

**FILTER PCB ASSEMBLY (Ref. No. 875)**

MODEL		RU-12EA		MODEL		RU -12EA	
Ref. No.	Description	Part No.	Order Q'ty	Ref. No.	Description	Part No.	Order Q'ty
VA101, 102	Varistor TNR12G471K	0000038010		E101	Wire w/Terminal GRN L 100	9702313012	
SA101	Arrester DSA-362MA-05	0600168032		W103, 104	Wire #18 2P	9702080013	
TM101, 102	Plug, Contact 86028	0500536016		FH1,2	Fuse Holder PFC5000-0502	0500158072	
F101	Fuse BET 3.15A-250V	0600222512		C101, 102	Cap. Plastic 0.22 μF	0300304099	
LF101	EMI Filter ELF17N015A	0400197119		C105, 106	Cap. Plastic 0.022 μF	0301052098	

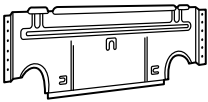


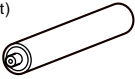

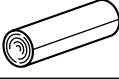
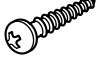

**INDICATOR PCB ASSEMBLY (Ref. No. 385)**

MODEL		RU-12EA		MODEL		RU -12EA	
Ref. No.	Description	Part No.	Order Q'ty	Ref. No.	Description	Part No.	Order Q'ty
C201	Cap. Ceramic 0.1 μF	0300988251		JM201	Wire 0.6 dia. L=7.5mm	9701076017	
C202	Cap. Elec. 25V 10 μF	0300478288		PHA201	Remote Control Amplifier	0101525129	
CN201	Wire w/Connector L=150	9702266011		R201~ 203	SBX1810-22	0201038659	
D201	Diode SLR-325VC RED	0000813259		SW201	Res, Carbon 1/4W 330Ω ±5%	0201038659	
D202	Diode SLR-325MC GRN	0000813242			Push Switch EVQ-PAG-04K	9700450016	
D203	Diode SLR-325DC ORG	0000813235					






## STANDARD ACCESSORIES




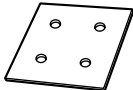
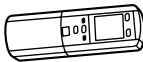
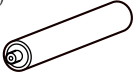
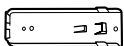

### INDOOR UNIT ACCESSORIES(Wall Mounted type)

Name and Shape	Q'ty	Part No.
Wall hook bracket 	1	9304358008
Wall cap-B 	1	313714296205
Remote control unit 	1	9307113062(AR-DB6)
Battery (penlight) 	1set	0600185534
Remote control unit holder 	1	9305642014
Cloth tape 	1	9308117007
Tapping screw (big) ( $\phi$ 4 x 20) 	8	301141164200
Tapping screw (small) ( $\phi$ 3 x 12) 	2	0700019036





### OUTDOOR UNIT ACCESSORIES

Binder 	2	312300787605
Putty 	1	303020200114
Hexagon wrench 	1	9351228019

### INDOOR UNIT ACCESSORIES(CASSETTE type)

Name and Shape	Application	Part No.
Coupler heat insulation 	For indoor side pipe joint	9350716029
		9352766015
Special nut A (large flange) 	For installing indoor unit	313005446653
Special nut B (small flange) 	For installing indoor unit	313005446759
Template 	For ceiling hole cutting	9360256003
Remote control unit 	Use for air conditioner operation	9359913085
Battery (penlight) 	For remote control unit	0600185534
Remote control unit holder 	For mounting the remote control unit	9359955016
Tapping screw ( $\phi$ 3 x 12) 	For remote control unit holder installation	301141533125

### GRILLE ACCESSORIES

Name and Shape	Application	Part No.
Bolt 	For mounting grille	9360120021
Washer 	For mounting grille	9301801155020
Spring washer 	For mounting grille	9301821150218
Blower cover insulation 	For discharged air	93600047007



MANUFACTURER:

**Fuji Denki Sosetsu Co., Ltd.**

Tokyo, Japan