

SPLIT TYPE AIR CONDITIONER Duct Type INSTALLATION INSTRUCTION SHEET

(PART NO. 9372633021)

For authorized service personnel only.

- WARNING:** This mark indicates procedures which, if improperly performed, might lead to the death or serious injury of the user.
- CAUTION:** This mark indicates procedures which, if improperly performed, might possibly result in personal harm to the user, or damage to property.
- WARNING:** For the air conditioner to operate satisfactorily, install it as outlined in this installation instruction sheet.
- Connect the indoor unit and outdoor unit with the room air conditioner piping and cords available from our standard parts. This installation instruction sheet describes the correct connections using the installation set available from our standard parts.
- Installation work must be performed in accordance with national wiring standards by authorized personnel only.
- If refrigerant leaks while work is being carried out, ventilate the area.
- If the refrigerant comes in contact with a flame, it produces a leak gas.
- Do not turn on the power until all installation work is complete.
- Be careful not to scratch the air conditioner when handling it.
- After installation, explain correct operation to the customer, using the operating manual.
- Let the customer keep this installation instruction sheet because it is used when the air conditioner is serviced or moved.

STANDARD PARTS

The following installation parts are furnished. Use them as required.

INDOOR UNIT ACCESSORIES

Name and Shape	Qty	Application
Special nut A (large flange)	4	For suspending the indoor unit from ceiling
Special nut B (small flange)	4	For wiring conduit pipe inlet connection (May not be supplied, depending on the model)
Coupler heat insulation (large)	1	For indoor side pipe joint (large pipe)
Coupler heat insulation (small)	1	For indoor side pipe joint (small pipe)
Binder (small)	1	For fixing the remote controller cord
Remote controller	1	
Tapping screw (butt heads)	2	For installing the remote controller
Remote controller cord	1	For connecting the remote controller

OUTDOOR UNIT ACCESSORIES

Name and Shape	Qty	Application
Power cap	1	For power supply cord protection
Auxiliary pipe assembly	1	For wiring conduit pipe inlet connection (May not be supplied, depending on the model)
Edge cover	1	For wiring conduit installation hole edge protection
Tapping screws	2	For cabinet A and cabinet D mounting (1) + Spare (1)
Bracket	1	For power supply cord banding
Putty	1	For sealing
Coupler heat insulation	1	For outdoor side pipe joint
Pipe (diameter)	2	
Flexible tube	1	For outdoor unit drain piping work (May not be supplied, depending on the model)
Cap (diameter)	2	

OPTIONS

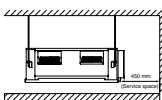
- The following options are available.
- Auxiliary pipe assembly
- Long-life filter
- Simple remote controller

SELECTING THE MOUNTING POSITION

- WARNING:** Select installation locations that can properly support the weight of the indoor and outdoor units. Install the units securely so that they do not topple or fall.
- CAUTION:**
- Do not install where there is the danger of combustible gas leakage.
 - Do not install the unit near heat source of heat, steam, or flammable gas.
 - Children under 10 years old may approach the unit. Take preventive measures so that they cannot reach the unit.

INDOOR UNIT

- Install the indoor unit on a place having a sufficient strength so that it is not affected against the weight of the indoor unit.
- The wall and ceiling ports should not be obstructed, the air should be able to blow all over the room.
- Leave the space required to service the air conditioner.
- Install the unit where the drain pipe can be easily installed.
- Providing as much space as possible between the indoor unit and the ceiling will make work much easier.



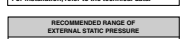
INSTALLATION PROCEDURE

1. INDOOR UNIT INSTALLATION

- WARNING:** Install the air conditioner in a location which can withstand a load of at least the times the weight of the main unit and which will not amplify sound or vibration. If the installation location is not strong enough, the indoor unit may fall and cause injuries.
- If the job is done with the panel frame only, there is a risk that the unit will come loose. Please take care.
- CAUTION:** For installation, refer to the technical data.
- RECOMMENDED RANGE OF EXTERNAL STATIC PRESSURE**
100 Pa - 250 Pa

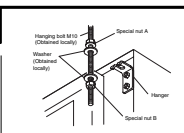
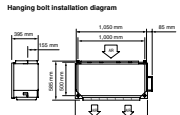
2. LEVELING

Use the procedure in the following figure to adjust the levelness.



3. MOUNTING THE DUCT

Follow the procedure in the following figure to install the ducts.



Fasten the unit securely with special nuts A and B.

4. INSTALLING THE DRAIN PIPES

Install the drain pipes according to the measurements given in the following figure.



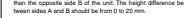
5. HEAT INSULATION ON THE PIPE JOINTS (INDOOR SIDE ONLY)

There should be no gaps between the insulation and the product.



6. CHECKING THE PIPE CONNECTIONS FOR GAS LEAKING

For both the indoor and outdoor unit sides, check the joints for gas leaking by the use of a gas leakage detector without fall when the pipes are connected.



7. HEAT INSULATION ON THE PIPE JOINTS (OUTDOOR SIDE ONLY)

There should be no gaps between the insulation and the product.



8. CONNECTING THE PIPING

3. CONNECTION PIPES

Indoor unit

- Detach the caps and plugs from the pipes.

CAUTION:

- Be sure to apply the pipe against the port on the indoor unit correctly. If the connection is improper, the flare nut cannot be tightened smoothly. If the flare nut is forced to turn, the threads will be damaged.

- Do not remove the flare nut from the indoor unit pipe until immediately before connecting the connection pipe.

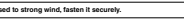
- When the flare nut is tightened properly by your hand, use a torque wrench to finally tighten it.

When bending the pipe, do not bend it as in the figure. The pipe will be collapsed. In the case of the heat insulating pipe with a sharp bend, use the heat insulating pipe with a sharp bend after securing the pipe. After bending the pipe as you wish, be sure to put the heat insulating pipe back on the pipe, and secure it with tape.



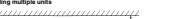
4. CHECKING THE PIPE CONNECTIONS FOR GAS LEAKING

For both the indoor and outdoor unit sides, check the joints for gas leaking by the use of a gas leakage detector without fall when the pipes are connected.



5. HEAT INSULATION ON THE PIPE JOINTS (INDOOR SIDE ONLY)

There should be no gaps between the insulation and the product.



6. CHECKING THE PIPE CONNECTIONS FOR GAS LEAKING

For both the indoor and outdoor unit sides, check the joints for gas leaking by the use of a gas leakage detector without fall when the pipes are connected.



7. HEAT INSULATION ON THE PIPE JOINTS (OUTDOOR SIDE ONLY)

There should be no gaps between the insulation and the product.



8. CONNECTING THE PIPING

3. CONNECTION PIPES

Indoor unit

- Detach the caps and plugs from the pipes.

CAUTION:

- Be sure to apply the pipe against the port on the indoor unit correctly. If the connection is improper, the flare nut cannot be tightened smoothly. If the flare nut is forced to turn, the threads will be damaged.

- Do not remove the flare nut from the indoor unit pipe until immediately before connecting the connection pipe.

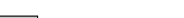
- When the flare nut is tightened properly by your hand, use a torque wrench to finally tighten it.

When bending the pipe, do not bend it as in the figure. The pipe will be collapsed. In the case of the heat insulating pipe with a sharp bend, use the heat insulating pipe with a sharp bend after securing the pipe. After bending the pipe as you wish, be sure to put the heat insulating pipe back on the pipe, and secure it with tape.



4. CHECKING THE PIPE CONNECTIONS FOR GAS LEAKING

For both the indoor and outdoor unit sides, check the joints for gas leaking by the use of a gas leakage detector without fall when the pipes are connected.



5. HEAT INSULATION ON THE PIPE JOINTS (INDOOR SIDE ONLY)

There should be no gaps between the insulation and the product.



6. CHECKING THE PIPE CONNECTIONS FOR GAS LEAKING

For both the indoor and outdoor unit sides, check the joints for gas leaking by the use of a gas leakage detector without fall when the pipes are connected.



7. HEAT INSULATION ON THE PIPE JOINTS (OUTDOOR SIDE ONLY)

There should be no gaps between the insulation and the product.



8. CONNECTING THE PIPING

3. CONNECTION PIPES

Indoor unit

- Detach the caps and plugs from the pipes.

CAUTION:

- Be sure to apply the pipe against the port on the indoor unit correctly. If the connection is improper, the flare nut cannot be tightened smoothly. If the flare nut is forced to turn, the threads will be damaged.

- Do not remove the flare nut from the indoor unit pipe until immediately before connecting the connection pipe.

- When the flare nut is tightened properly by your hand, use a torque wrench to finally tighten it.

When bending the pipe, do not bend it as in the figure. The pipe will be collapsed. In the case of the heat insulating pipe with a sharp bend, use the heat insulating pipe with a sharp bend after securing the pipe. After bending the pipe as you wish, be sure to put the heat insulating pipe back on the pipe, and secure it with tape.



4. CHECKING THE PIPE CONNECTIONS FOR GAS LEAKING

For both the indoor and outdoor unit sides, check the joints for gas leaking by the use of a gas leakage detector without fall when the pipes are connected.



5. HEAT INSULATION ON THE PIPE JOINTS (INDOOR SIDE ONLY)

There should be no gaps between the insulation and the product.



6. CHECKING THE PIPE CONNECTIONS FOR GAS LEAKING

For both the indoor and outdoor unit sides, check the joints for gas leaking by the use of a gas leakage detector without fall when the pipes are connected.



7. HEAT INSULATION ON THE PIPE JOINTS (OUTDOOR SIDE ONLY)

There should be no gaps between the insulation and the product.



8. CONNECTING THE PIPING

3. CONNECTION PIPES

Indoor unit

- Detach the caps and plugs from the pipes.

CAUTION:

- Be sure to apply the pipe against the port on the indoor unit correctly. If the connection is improper, the flare nut cannot be tightened smoothly. If the flare nut is forced to turn, the threads will be damaged.

2. OUTDOOR UNIT INSTALLATION

1. OUTDOOR UNIT PROCESSING

- When the outdoor unit will be exposed to strong wind, fasten it with bolts or nuts at the four places indicated by the arrows.

- Slack the drain water flows out of the outdoor unit during heating operation. Slack the drain pipe and connect it to an conventional 16 mm hose. (When heating when the outdoor temperature is 0 °C or less, control so that the drain water drained from the outdoor unit will not freeze in the drain pipe) (Reverse cycle model only)

- When installing the drain pipe, plug all the holes other than the drain pipe mounting hole in the bottom of the outdoor unit with putty so there is no water leakage. (Reverse cycle model only)

- Remove outdoor unit cabinet A and cabinet D.

After removing the screws, remove cabinet A by pulling it down.

Use the accessory screws at these points only.

- Open the piping and connection cord knockout holes at the desired direction with rippers, etc. After opening the knockout holes, install the accessory high cover and power cap to protect the opened places.

- Use the accessory screws at these points only.

- Use the accessory screws at these points only.

- Use the accessory screws at these points only.

- Use the accessory screws at these points only.

- Use the accessory screws at these points only.

- Use the accessory screws at these points only.

- Use the accessory screws at these points only.

- Use the accessory screws at these points only.

- Use the accessory screws at these points only.

- Use the accessory screws at these points only.

- Use the accessory screws at these points only.

- Use the accessory screws at these points only.

- Use the accessory screws at these points only.

- Use the accessory screws at these points only.

- Use the accessory screws at these points only.

- Use the accessory screws at these points only.

- Use the accessory screws at these points only.

- Use the accessory screws at these points only.

- Use the accessory screws at these points only.

- Use the accessory screws at these points only.

- Use the accessory screws at these points only.

- Use the accessory screws at these points only.

- Use the accessory screws at these points only.

- Use the accessory screws at these points only.

- Use the accessory screws at these points only.

- Use the accessory screws at these points only.

- Use the accessory screws at these points only.

- Use the accessory screws at these points only.

- Use the accessory screws at these points only.

- Use the accessory screws at these points only.

- Use the accessory screws at these points only.

- Use the accessory screws at these points only.

- Use the accessory screws at these points only.

- Use the accessory screws at these points only.

- Use the accessory screws at these points only.

- Use the accessory screws at these points only.

- Use the accessory screws at these points only.

- Use the accessory screws at these points only.

- Use the accessory screws at these points only.

- Use the accessory screws at these points only.

- Use the accessory screws at these points only.

- Use the accessory screws at these points only.

- Use the accessory screws at these points only.

- Use the accessory screws at these points only.

- Use the accessory screws at these points only.

- Use the accessory screws at these points only.

- Use the accessory screws at these points only.

- Use the accessory screws at these points only.

- Use the accessory screws at these points only.

- Use the accessory screws at these points only.

- Use the accessory screws at these points only.

- Use the accessory screws at these points only.

- Use the accessory screws at these points only.

- Use the accessory screws at these points only.

- Use the accessory screws at these points only.

- Use the accessory screws at these points only.

- Use the accessory screws at these points only.

- Use the accessory screws at these points only.

- Use the accessory screws at these points only.

- Use the accessory screws at these points only.

- Use the accessory screws at these points only.

- Use the accessory screws at these points only.

- Use the accessory screws at these points only.

- Use the accessory screws at these points only.

- Use the accessory screws at these points only.

- Use the accessory screws at these points only.

- Use the accessory screws at these points only.

- Use the accessory screws at these points only.

- Use the accessory screws at these points only.

- Use the accessory screws at these points only.

- Use the accessory screws at these points only.

- Use the accessory screws at these points only.

- Use the accessory screws at these points only.

- Use the accessory screws at these points only.

- Use the accessory screws at these points only.

- Use the accessory screws at these points only.

- Use the accessory screws at these points only.

- Use the accessory screws at these points only.

- Use the accessory screws at these

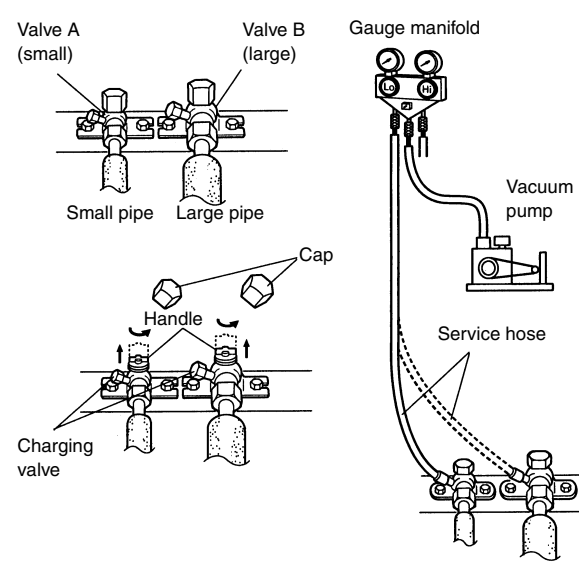
4 VACUUM PROCESS

CAUTION

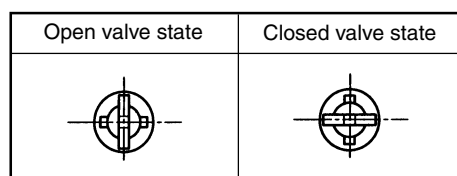
Do not purge the air with refrigerants but use a vacuum pump to vacuum the installation! There is no extra refrigerant in the outdoor unit for air purging!

1. VACUUM

- Vacuum inside the indoor unit and the piping to a pressure of 76 cmHg abs or less from the charging valve with a vacuum pump.
- After vacuuming inside the indoor unit and the piping, remove the cap of the two valves.



- Open the handle of the two valves from the closed state.



* If the handle is not fully open, performance will drop and an abnormal sound will be generated.

- Tighten the cap of the two valves to the specified torque.

	Tightening torque	
	Large valve	Small valve
Handle	1.47 N·m (15 kgf·cm) or less	
Cap	14.7 to 19.6 N·m (150 to 200 kgf·cm)	

2. ADDITIONAL CHARGE

Refrigerant suitable for a piping length of 7.5 m (Cooling model), 20 m (Reverse cycle model) is charged in the outdoor unit at the factory.
When the piping is longer than 7.5 m (Cooling model), 20 m (Reverse cycle model) additional charging is necessary. For the additional amount, see the table below.

Additional refrigerant	Pipe length			
	7.5 m	10 m	20 m	g/m
Cooling model	None	100 g	500 g	40 g/m
Reverse cycle model	None			60 g/m

Additional refrigerant	Pipe length			
	30 m	40 m	50 m	g/m
Cooling model	900 g	1300 g	1700 g	40 g/m
Reverse cycle model	600 g	1200 g	1800 g	60 g/m

CAUTION

- When moving and installing the air conditioner, do not mix gas other than the specified refrigerant (R22) inside the refrigerant cycle.
- When adding refrigerant, add the refrigerant from the charging valve at the completion of work.
- If the units are further apart than the maximum pipe length, correct operation can not be guaranteed.

5 POWER

WARNING

- The rated voltage of this product is 380-415 V \pm 50 Hz.
- Before turning on verify that the voltage is within the 342 to 457 V range.
- Always use a special branch circuit and install a special receptacle to supply power to the air conditioner.
- Use a special branch circuit breaker and receptacle matched to the capacity of the air conditioner. (Install in accordance with standard.)
- Perform wiring work in accordance with standards so that the air conditioner can be operated safely and positively.
- Install a leakage special branch circuit breaker in accordance with the related laws and regulations and electric company standards.

CAUTION

- The power source capacity must be the sum of the air conditioner current and the current of other electrical appliances. When the current contracted capacity is insufficient, change the contracted capacity.
- When the voltage is low and the air conditioner is difficult to start, contact the power company the voltage raised.

6 ELECTRICAL WIRING

WARNING

- Before starting work, check that power is not being supplied to the indoor and outdoor unit.
- Match the terminal board numbers and connection cord colors with those of the outdoor unit. Erroneous wiring may cause burning of the electric parts.
- Connect the connection cord firmly to the terminal board. Imperfect installation may cause a fire.
- Always fasten the outside covering of the connection cord with the cord clamp. (If the insulator is chafed, electric leakage may occur.)
- Always connect the ground wire.

CAUTION

Do not bundle the remote controller cord, or wire the remote controller cord in parallel, with the indoor unit connection wire (to the outdoor unit) and the power supply cord. It may cause erroneous operation.

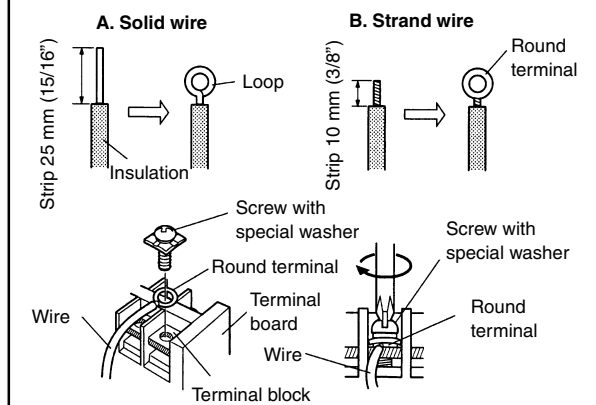
HOW TO CONNECT WIRING TO THE TERMINALS

A. For solid core wiring (or F-cable)

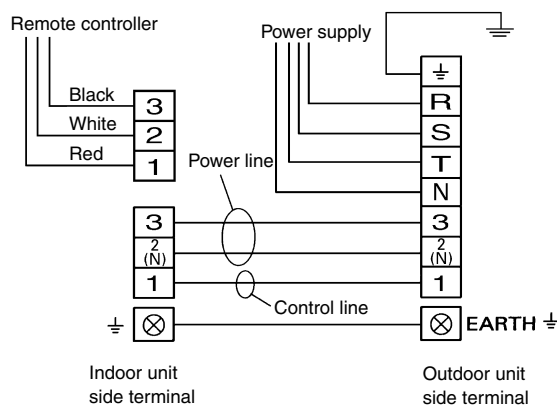
- Cut the wire end with a wire cutter or wire-cutting pliers, then strip the insulation to about 25 mm (15/16") to expose the solid wire.
- Using a screwdriver, remove the terminal screw(s) on the terminal board.
- Using pliers, bend the solid wire to form a loop suitable for the terminal screw.
- Shape the loop wire properly, place it on the terminal board and tighten securely with the terminal screw using a screwdriver.

B. For strand wiring

- Cut the wire end with a wire cutter or wire-cutting pliers, then strip the insulation to about 10 mm (3/8") to expose the strand wiring.
- Using a screwdriver, remove the terminal screw(s) on the terminal board.
- Using a round terminal fastener or pliers, securely clamp a round terminal to each stripped wire end.
- Position the round terminal wire, and replace and tighten the terminal screw using a screwdriver.

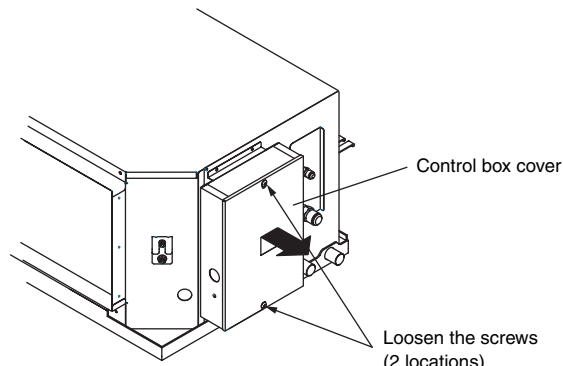


1. CONNECTIONS DIAGRAMS

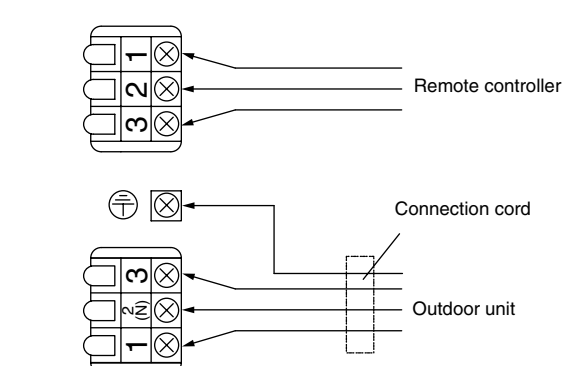
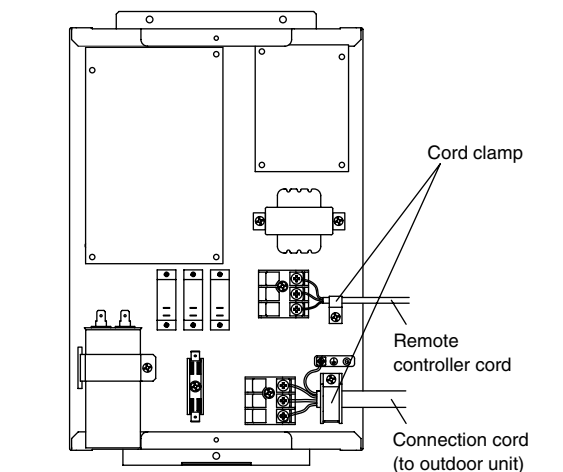


2. INDOOR UNIT

- Remove the control box cover and install each connection wire.



- After wiring is complete, secure the remote controller cord, connection cord, and power supply cord with the cord clamps.
- Install the control box cover.

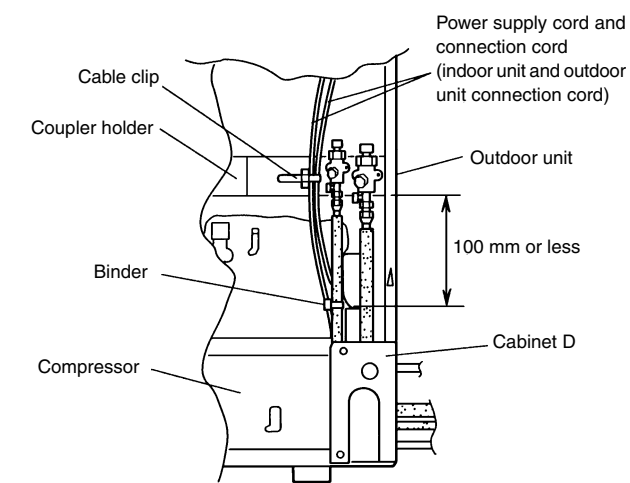
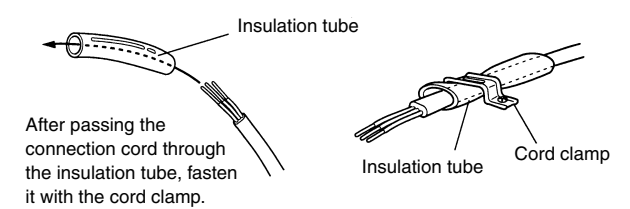
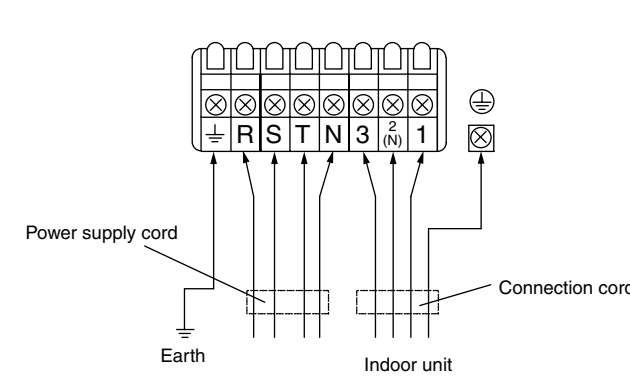
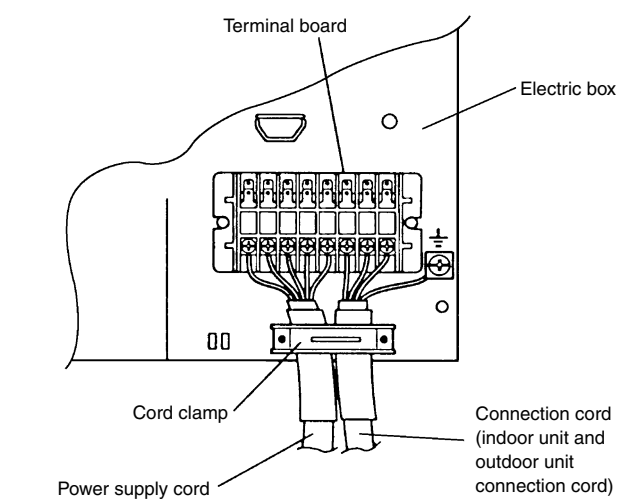


CAUTION

- Use care not to mistake the power supply cord and connection wires when installing.
- Install so that the wires for the remote controller will not come in contact with other connection wires.

3. OUTDOOR UNIT

- Remove outdoor unit cabinet A and connect the power supply cord and the outdoor unit connection cord wired at the indoor unit.
- Fasten the power supply cord and connection cord with cable clips and binders.



9 SPECIAL INSTALLATION METHODS

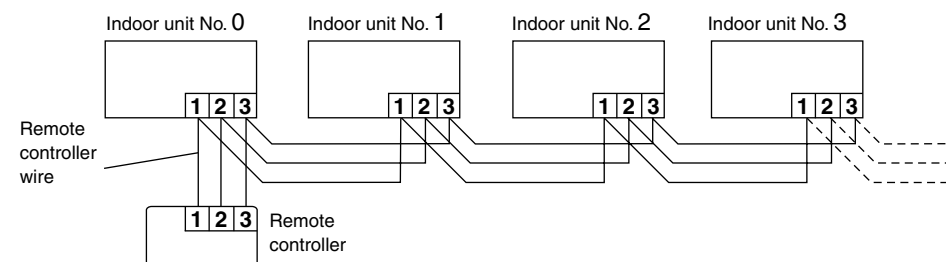
CAUTION

- When setting the rotary switch and DIP switches, do not touch any other parts on the circuit board directly with your bare hands.
- Be sure to turn off the main power.

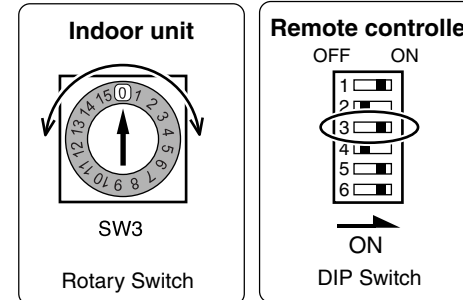
1. GROUP CONTROL SYSTEM

A number of indoor units can be operated at the same time using a single remote controller.

- Wiring method (indoor unit to remote controller)



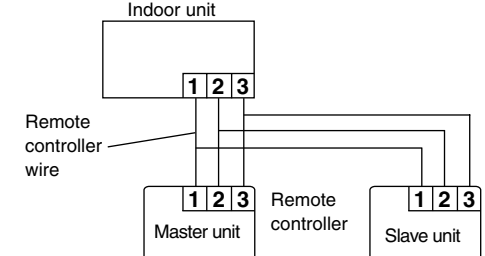
- Rotary switch setting (indoor unit)
Set the unit number of each indoor unit using the rotary switch on the indoor unit circuit board.
The rotary switch is normally set to 0.
- DIP switch setting (remote controller)
Change DIP switch No. 3 on the remote controller from OFF to ON.



2. DUAL REMOTE CONTROLLERS (OPTIONAL)

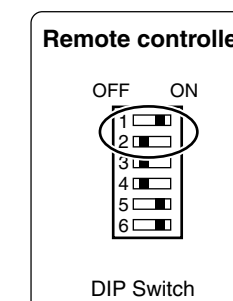
Two separate remote controllers can be used to operate the indoor units.

- Wiring method (indoor unit to remote controller)



- DIP switch setting (remote controller)
Set the remote controller DIP switch Nos. 1 and 2 according to the following table.

Number of remote controllers	Master unit		Slave unit	
	DIP-SW No. 1	DIP-SW No. 2	DIP-SW No. 1	DIP-SW No. 2
1 (Normal)	ON	OFF	-	-
2 (Dual)	OFF	OFF	ON	ON



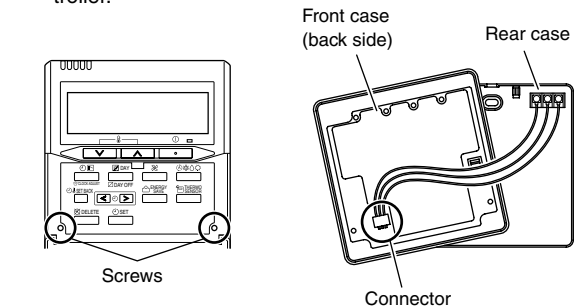
7 REMOTE CONTROLLER SETTING

CAUTION

- In order to detect the room temperature correctly when using the temperature sensor of the remote controller, do not install the remote controller in a place where it will be exposed to direct sunlight or directly below the air outlet of the indoor unit.
- When installing the remote controller and cord near a source of electromagnetic waves, separate the remote controller from the source of the electromagnetic waves and use shielded cord.
- Do not touch the remote controller PC board and PC board parts directly with your hands.

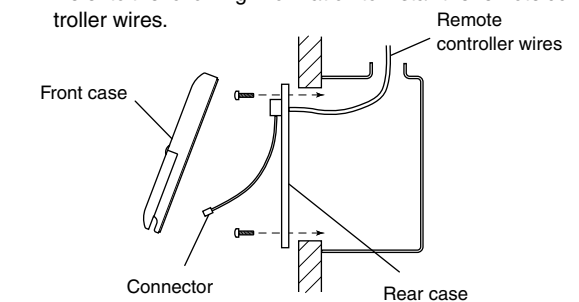
1. INSTALLING THE REMOTE CONTROLLER

- Open the operation panel on the front of the remote controller, remove the two screws indicated in the following figure, and then remove the front case of the remote controller.



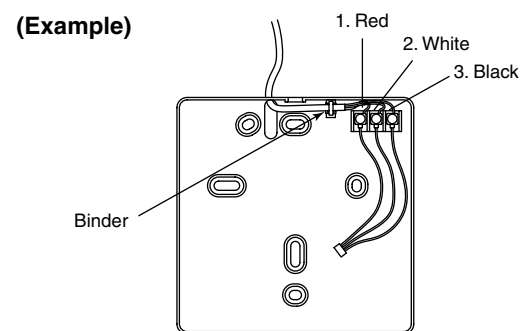
When installing the remote controller, remove the connector from the front case. The wires may break if the connector is not removed and the front case hangs down. When installing the front case, connect the connector to the front case.

- Install the rear case to the wall, etc. with the two tapping screws. Refer to the following information to install the remote controller wires.



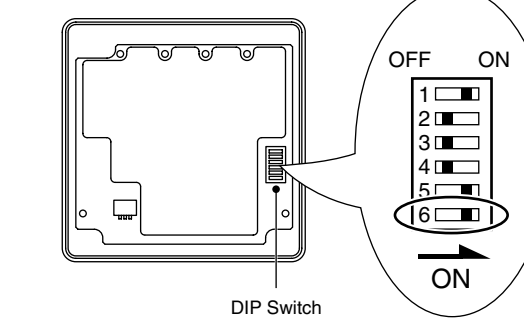
2. ROUTING THE REMOTE CONTROLLER WIRES

- Install the remote controller wires to the terminals on the top of the rear case as shown in the following figure.
- Fasten the wires with the binder.
- If the remote controller wires run through the room, use a tool to cut away the thin area on the upper center of the front case.



3. SETTING THE DIP SWITCHES

When using a battery (memory backup)



Change the DIP switch setting to use batteries. (The DIP switch is not set to use batteries at the factory.)
Change DIP switch No. 6 from OFF to ON.
If batteries are not used, all of the settings stored in memory will be deleted if there is a power failure.

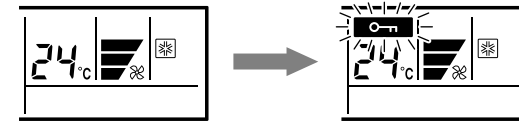
4. SETTING THE ROOM TEMPERATURE DETECTION LOCATION

The detection location of the room temperature can be selected from the following three examples. Choose the detection location that is best for the installation location.

A. Indoor unit setting (factory setting)

The room temperature is detected by the indoor unit temperature sensor.

- When the THERMO SENSOR button is pressed, the lock display flashes because the function is locked at the factory.



B. Remote controller setting

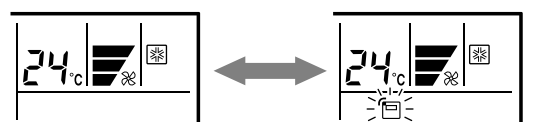
The room temperature is detected by the remote controller temperature sensor.

- Press the THERMO SENSOR button for 5 seconds or more to unlock the function. The thermo sensor display flashes and then disappears when the function is unlocked.
- Press the THERMO SENSOR button. The thermo sensor display appears.
- Press the THERMO SENSOR button again for 5 seconds or more to lock the function. The thermo sensor display flashes and then remains on when the function is locked.
- Make sure that the function is locked.

C. Indoor unit/remote controller setting (room temperature sensor selection)

The temperature sensor of the indoor unit or the remote controller can be used to detect the room temperature.

- Press the THERMO SENSOR button for 5 seconds or more to unlock the function. The thermo sensor display flashes and then disappears when the function is unlocked.
- Press the THERMO SENSOR button to select the temperature sensor of the indoor unit or the remote controller.



NOTES

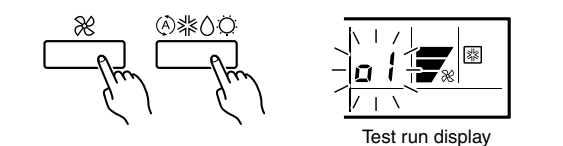
If the function to change the temperature sensor is used as shown in examples A and B (other than example C), be sure to lock the detection location. If the function is locked, the lock display will flash when the THERMO SENSOR button is pressed.

8 TEST RUN

CAUTION

Supply power to the crankcase heater for at least 12 hours before the start of operation in winter.

- Stop the air conditioner operation.
- Press the master control button and the fan control button simultaneously for 2 seconds or more to start the test run.



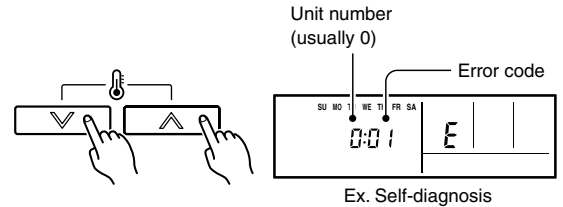
- Press the start/stop button to stop the test run.

[SELF-DIAGNOSIS]

When the error indication "E:EE" is displayed, follow the following items to perform the self-diagnosis. "E:EE" indicates an error has occurred.

1. REMOTE CONTROLLER DISPLAY

- Stop the air conditioner operation.
- Press the set temperature buttons Δ / ∇ simultaneously for 5 seconds or more to start the self-diagnosis. Refer to the following tables for the description of each error code.



- Press the set temperature buttons Δ / ∇ simultaneously for 5 seconds or more to stop the self-diagnosis.

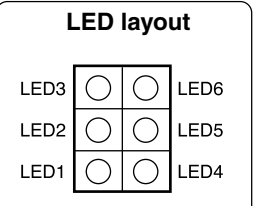
Error code	Error contents
00	Communication error (indoor unit \leftrightarrow remote controller)
01	Communication error (indoor unit \leftrightarrow outdoor unit)
02	Room temperature sensor open
03	Room temperature sensor short-circuited
04	Indoor heat exchanger temperature sensor open
05	Indoor heat exchanger temperature sensor short-circuited
06	Outdoor heat exchanger temperature sensor open
07	Outdoor heat exchanger temperature sensor short-circuited
08	Power source connection error

Error code	Error contents
09	Floot switch operated
0A	Outdoor temperature sensor open
0b	Outdoor temperature sensor short-circuited
0c	Discharge pipe temperature sensor open
0d	Discharge pipe temperature sensor short-circuited
0E	Outdoor high pressure abnormal
0F	Discharge pipe temperature abnormal
11	Model abnormal
12	Indoor fan abnormal
13	Outdoor signal abnormal
14	Outdoor EEPROM abnormal

2. OUTDOOR UNIT LEDs

Heat & Cool model (reverse cycle) only

When a malfunction occurs in the outdoor unit, the LEDs on the circuit board light to indicate the error. Refer to the following table for the description of each error according to the LEDs.



Error contents	LED1	LED2	LED3	LED4	LED5	LED6
Signal abnormal	-	-	X	O	X	X
Indoor unit abnormal	-	-	X	X	O	X
Discharge pipe temperature abnormal	-	-	X	X	X	O
Outdoor heat exchanger temperature abnormal	-	-	X	X	O	O
Outdoor temperature abnormal	-	-	X	O	X	O
Power source connection error	-	-	O	X	X	X
EEPROM abnormal	-	-	O	O	O	O
Outdoor high pressure abnormal	O	-	-	-	-	-
Discharge pipe temperature abnormal	-	O	-	-	-	-

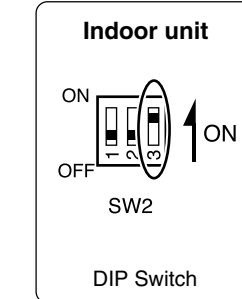
O: 0.5s ON/0.5s OFF (flash) X: OFF
 O: 0.1s ON/0.1s OFF (flash) -: Indefinite

When the fault is cleared, the LED lamp goes off. However, for discharge pipe temperature abnormal and high pressure abnormal, the LED lamp lights continuously for 24 hours, as long as the power is not turned off.

3. CANCELING AUTO RESTART

The auto restart function can be canceled.

- DIP switch setting (indoor unit)
Change the DIP switch (SW2-3) on the indoor unit circuit board from OFF to ON.
The auto restart function will be canceled.



[DIP-SWITCH SETTING]

● Indoor unit

NO.	SW state		Detail
	OFF	ON	
SW2	1	- *	Remote sensor setting
	2	Edge *	Control input setting
	3	Validity *	Auto restart setting

● Remote controller

NO.	SW state		Detail	
	OFF	ON		
DIP-Switch	1		*	
	2		*	
	3	One unit *	Multiple unit	Group control setting
	4	Heat & Cool model *	Cooling only model	Model setting
	5	Invalidity	Validity *	Auto changeover setting
	6	Invalidity *	Validity	Memory backup setting

*: Factory setting