

Instruction sheet

KRT2800

| | | |
|---|---|---|
| Specification Specificatie Especificação Beskrivelse Technická data | Description Especificación Spekifikationer Spesifikasjoner | Spezifikation Specifiche Erittely Προδιαγραφές |
|---|---|---|

| | | |
|---|---|--|
| Adjustment Instelling Ajuste Justering Seifzení | Réglage Ajuste Justering Justering | Einstellung Regolazione Sääto Ρύθμιση |
|---|---|--|

READ THIS INSTRUCTION SHEET CAREFULLY BEFORE INSTALLING, RETAIN IT SAFELY FOR FUTURE REFERENCE.

- 1 Setpoint dial
- 2 Knob for adjustment (knob models only)
- 3 Cover
- 4 Differential lever (adjustable differential models only)
- 5 Drainhole

Adjustment
 A Stage differential (fixed)
 B Between stage differential (fixed or adjustable)
 SP1 Set point "set low" models (refer to data label)
 SP2 Set point "set high" models (refer to data label)

The KRT2800 is a 2-stage temperature control designed to sense temperatures.

According to EN 60730 it is a type 1 action, independently mounted control, suitable for surface mounting on a plane surface and for use in normal pollution situation.

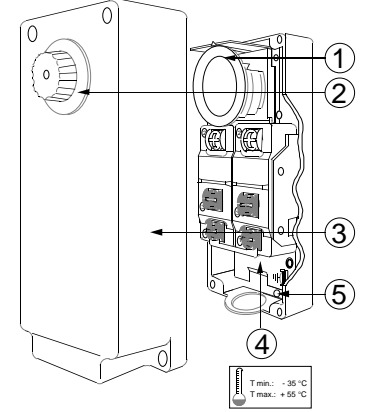
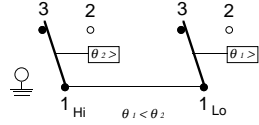
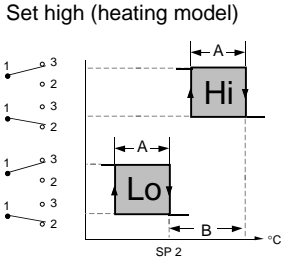
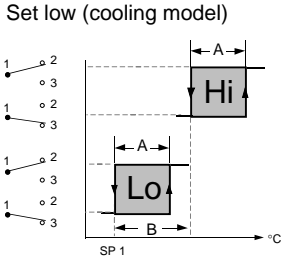
These controls are designed for use only as operating controls. Where an operating control failure would result in personal injury or loss of property, it is the responsibility of the installer to add devices or systems that protect against, or warn of, control failure.

Installation
 DO NOT TURN SEALED SCREWS

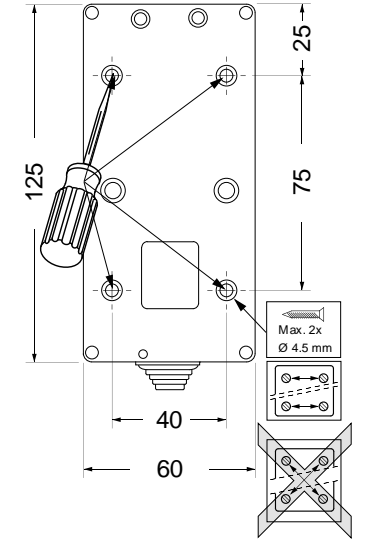
△ Disconnect from power supply before the cover is removed.

Wiring
 All wiring should conform to local codes and must be carried out by authorized personnel only. When using multi stranded wire apply a cable ferrule to the cable end.

Check out procedure
 Before leaving the installation observe at least three complete operating cycles to be sure that all components are functioning correctly. If not contact your supplier.

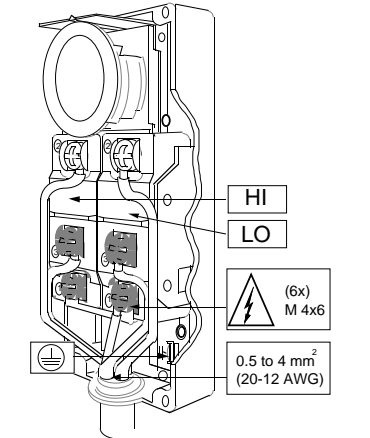


| | | |
|---|--|---|
| Mounting Montage Montagem Montering Instalace | Montage Montaje Montering Montering | Montage Montaggio Kiinnitys Μοντάρισμα |
|---|--|---|



KRT2800
 (0 - +40)
 230V I_{max}. 16A
 400V I_{max}. 10A
 IP55

| | | |
|---|--|--|
| Wiring Bedrading Cablagem Elektrisk installation Zapojeni | Raccordement Cableado Ledningar Kabling | Verdrahtung Cableggio Jodutus Καλωδίωση |
|---|--|--|



Тел.: (495) 669-37-15 (многоканальный)
 SIP: 0030047810
 e-mail: info@frico-tm.ru
 www.frico-tm.ru