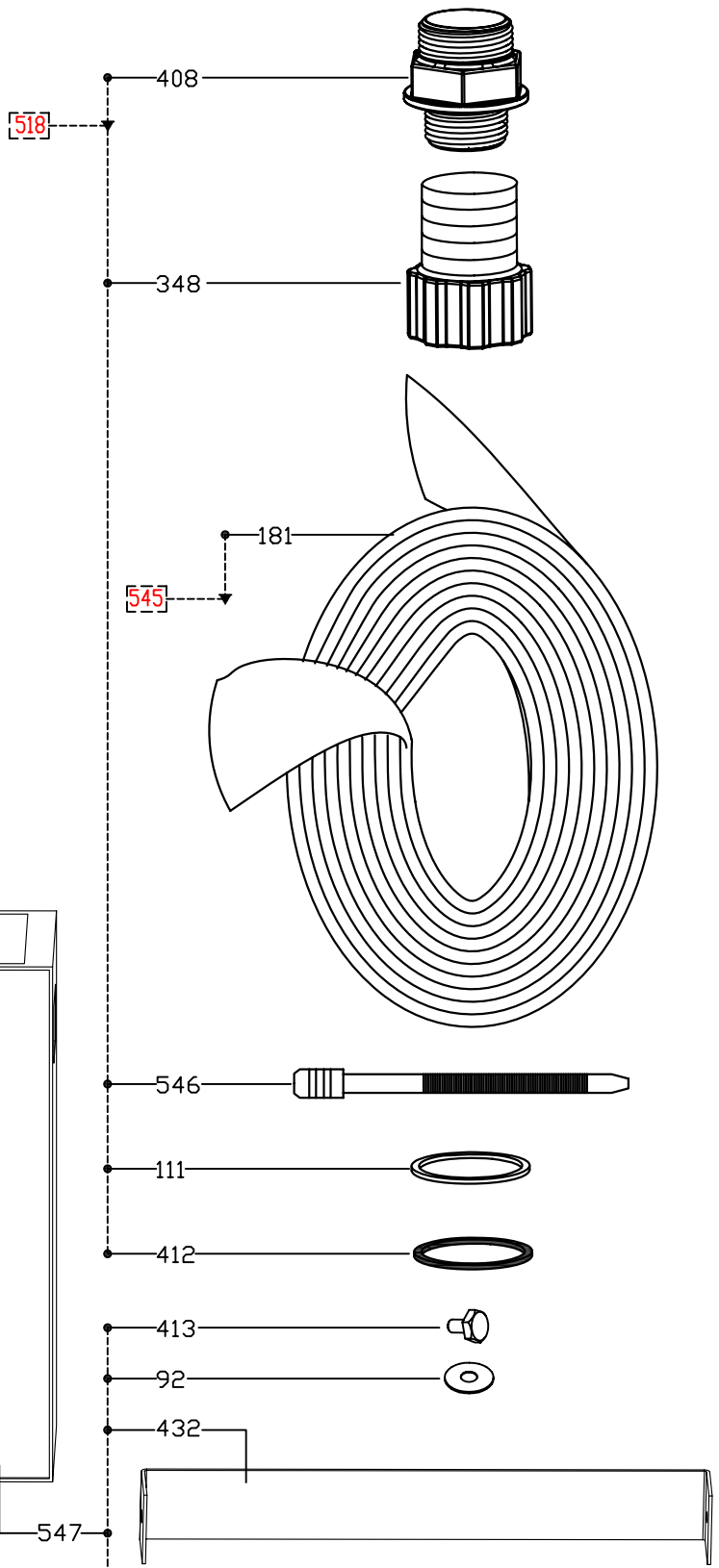
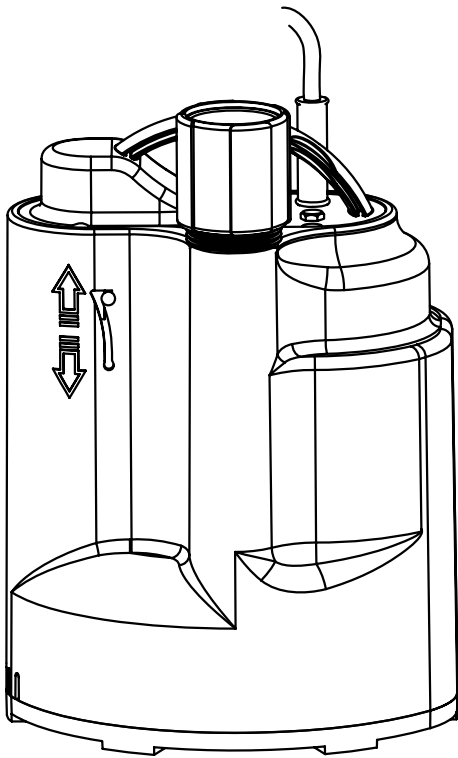


Flotec®



518

545

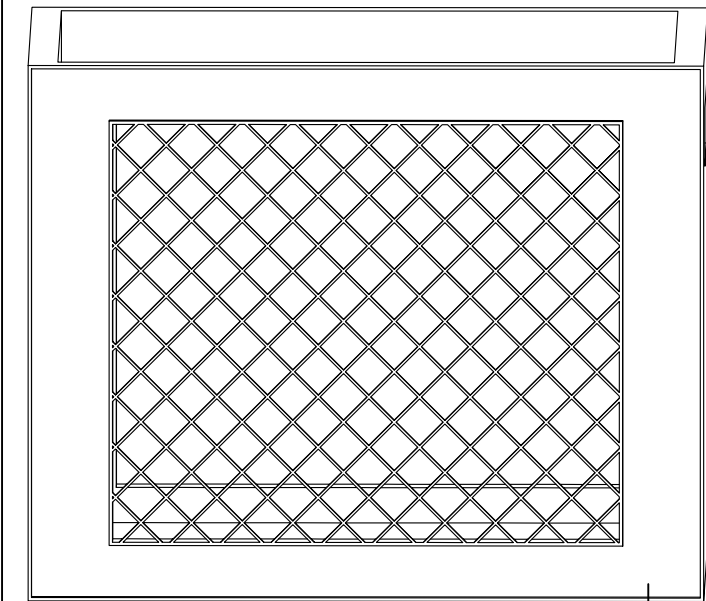
548

B

B

A

A



547

Pentair® Water
 Pentair Water Italy S.r.l.
 Via Masaccio,13
 56010 Lagnano (PI)
 ITALY

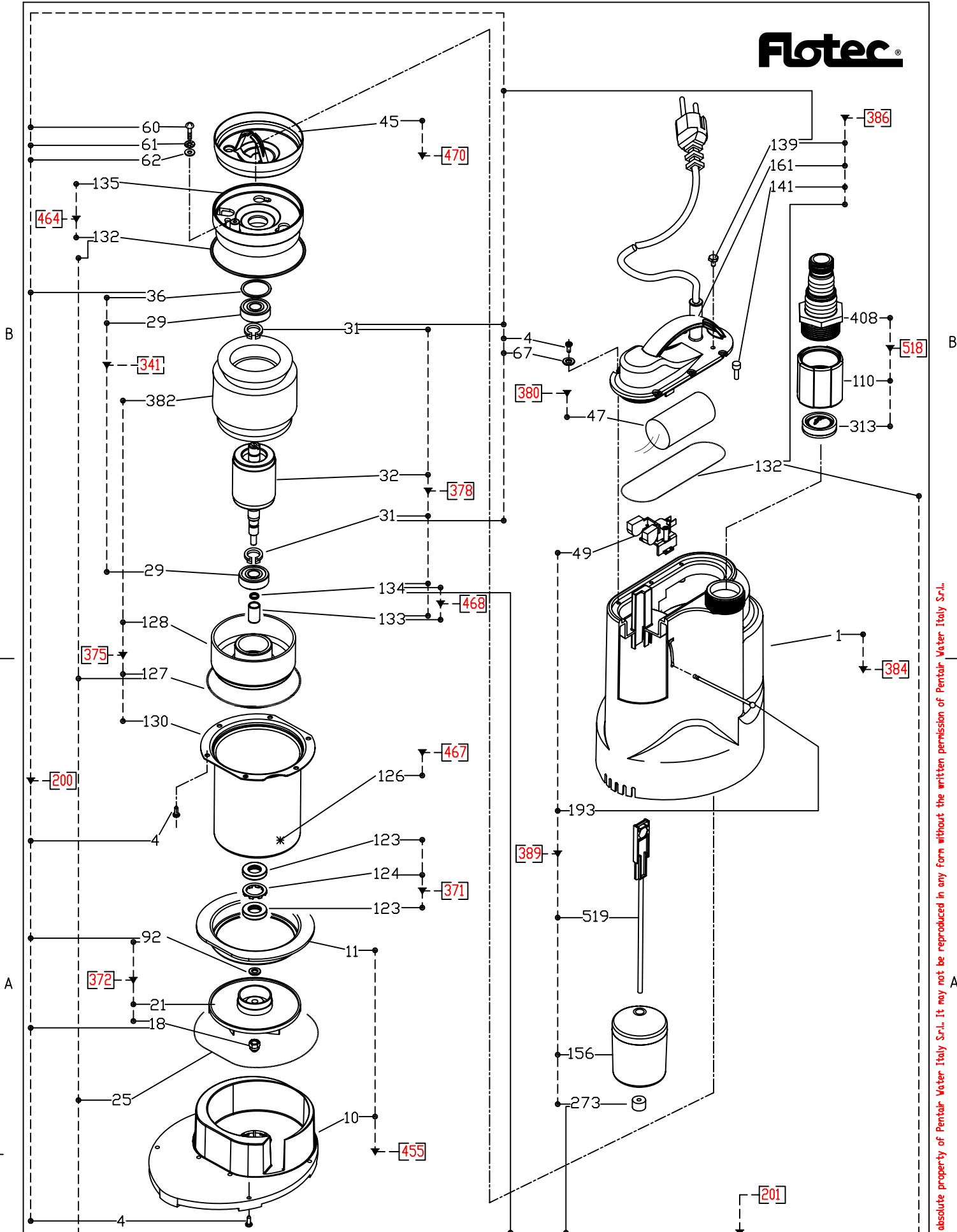
Drawn M.Di Nasso
 Approved M.Bernacca

Title SOS FLOOD KIT
 Date (dd/mm/yy) 04-10-2010
 Dwg #

Sheet 1 of 1
 DR100024_00

This drawing is the absolute property of Pentair Water Italy S.r.l. It may not be reproduced in any form without the written permission of Pentair Water Italy S.r.l.

Flotec®



Pentair Water
 Pentair Water Italy S.r.l.
 Via Masaccio, 13
 56010 Lugnano (PI)
 ITALY

Drawn M.Di Nasso
 Approved M.Bernacca

Title COMPAC
 Date (dd/mm/yy) 21-06-2010
 Deg #

Sheet 1 of 1
 DR100019_01

This drawing is the absolute property of Pentair Water Italy S.r.l. It may not be reproduced in any form without the written permission of Pentair Water Italy S.r.l.