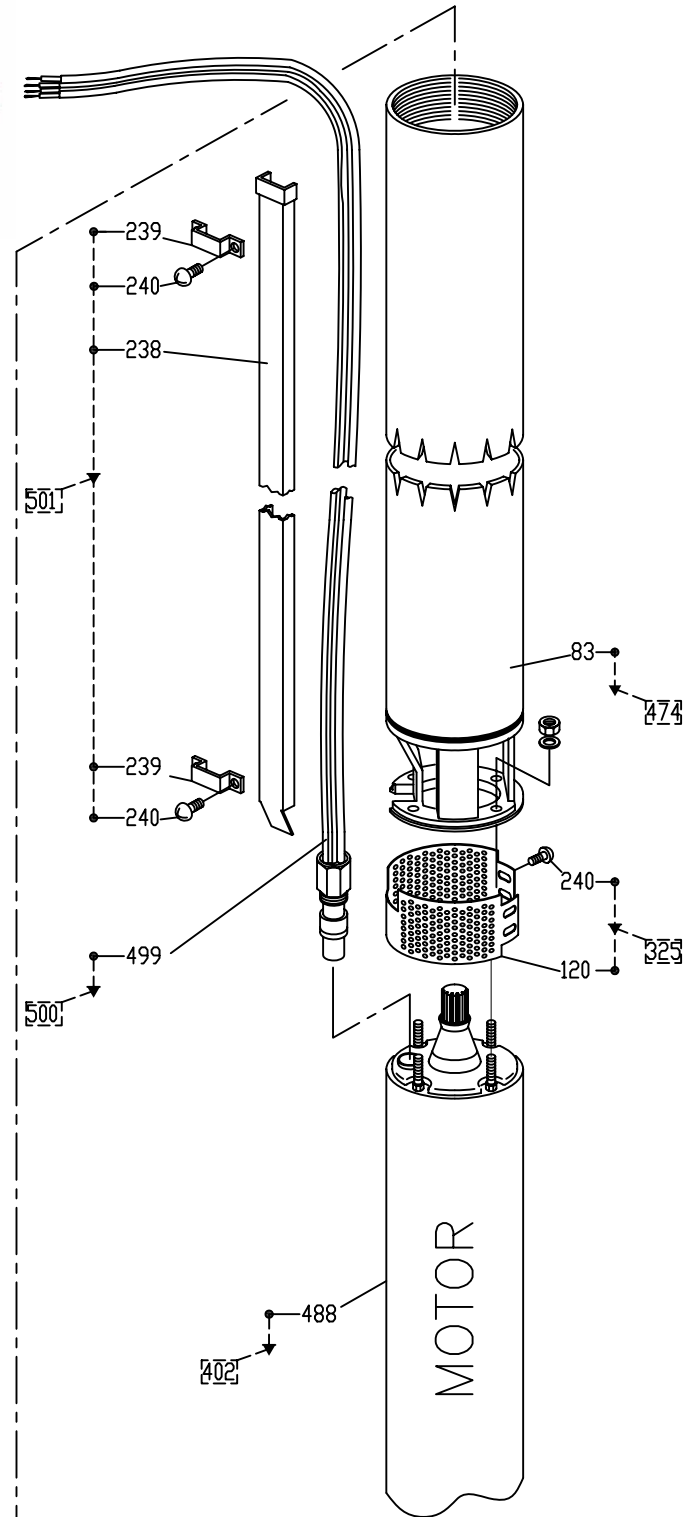
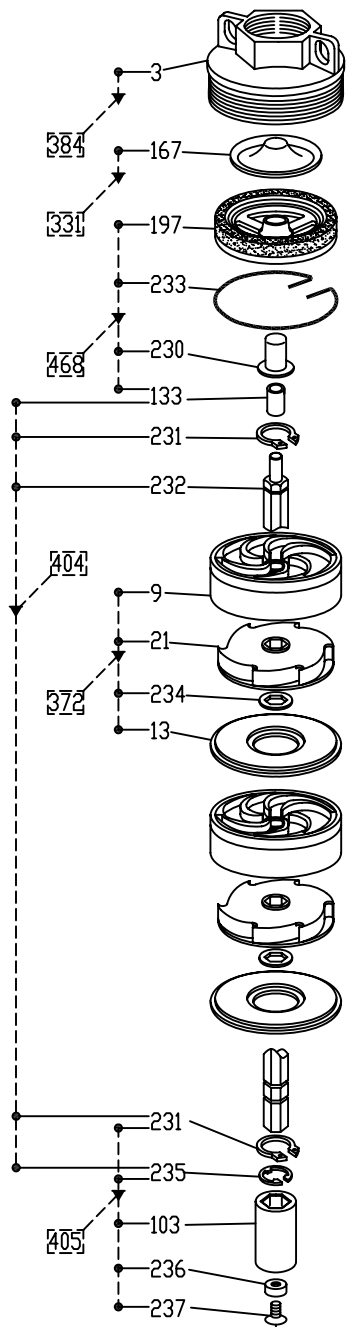
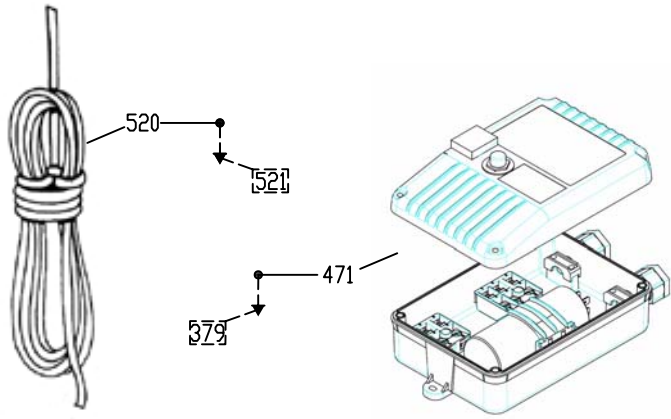


B

B

A

A



	Pentair Water Italy S.r.l. Via Masaccio,13 56010 Lugnano (PI) ITALY	Drawn A.Bertola	Title SCM 4" PLUS DOM	Sheet 1 of 2
		Approved M.Bernacca	Date (dd/mm/yy) 04-02-2010	Dwg # DR100002_02

SCM4"Plus DOM

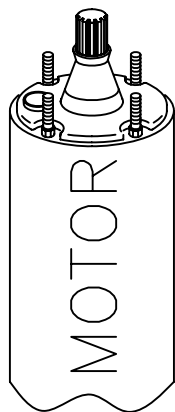


Kit ref. n.

Nr. of stages

17
16
15
14
13
12
11
10
9
8
7
6
5
4
3
2
1

17			
16			
15			
14			
13	13		
12	12		
11	11	11	
10	10	10	
9	9	9	
8	8	8	8
7	7	7	7
6	6	6	6
5	5	5	5
4	4	4	4
3	3	3	3
2	2	2	2
1	1	1	1



115/122	115/92	75/75	75/52
---------	--------	-------	-------

Pump model



Pentair Water

Pentair Water Italy S.r.l.
Via Masaccio,13
56010 Lugnano (PI)
ITALY

Drawn
A.Bertola
Approved
M.Bernacca

Title
SCM 4" PLUS DOM
Date (dd/mm/yy)
04-02-2010
Dwg #

Sheet
2 of 2

DR100002_02