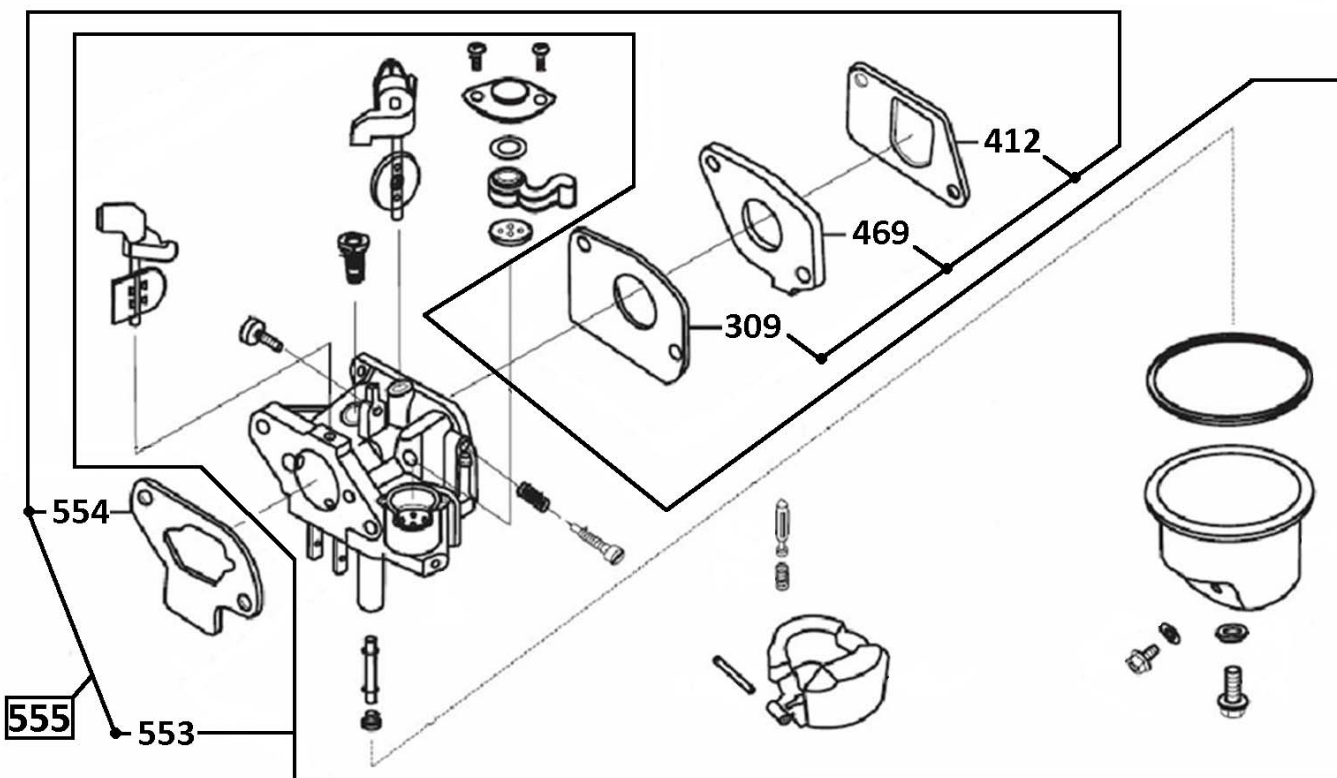
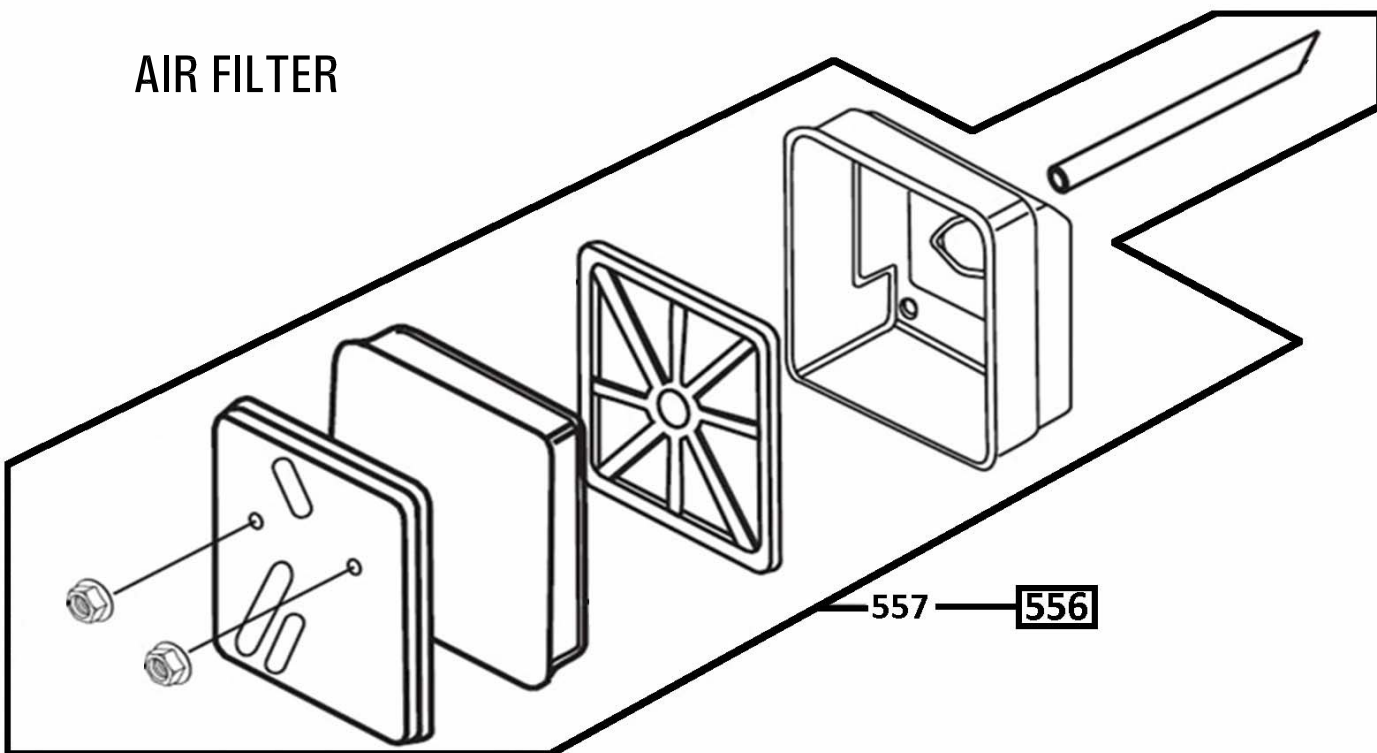


CARBURATOR



AIR FILTER



Pentair Water

Pentair Water Italy S.r.l.
Via Masaccio,13
56010 Lugnano (PI)
ITALY

Drawn A.Bertola
Approved M.Bernacca

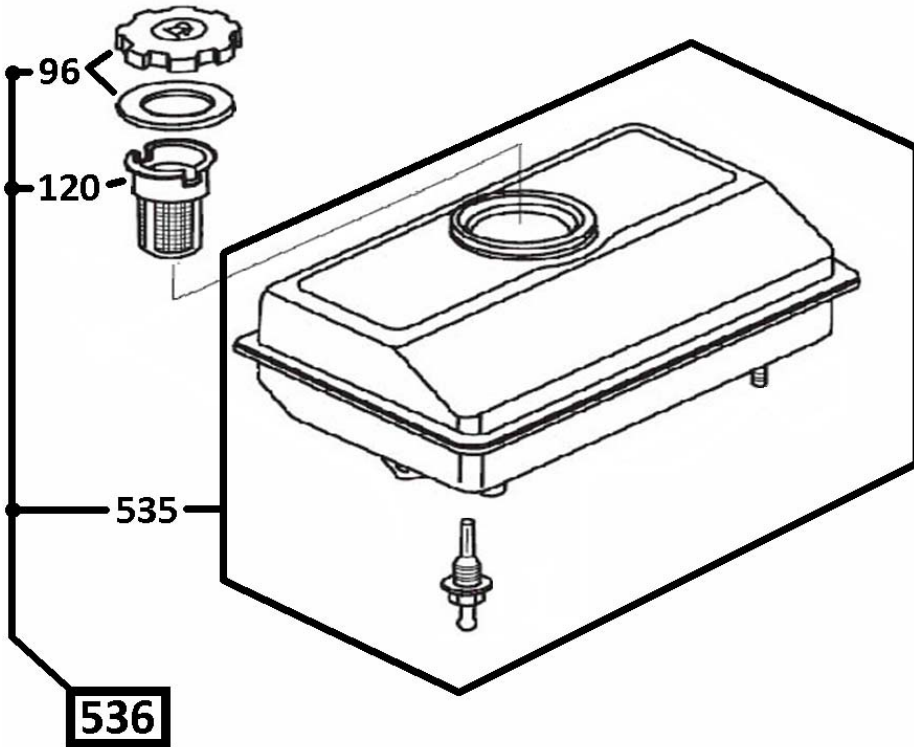
Title HYDROBLASTER 2.5
Date (dd/mm/yy) 01.06.2012

Filename DR120012_00

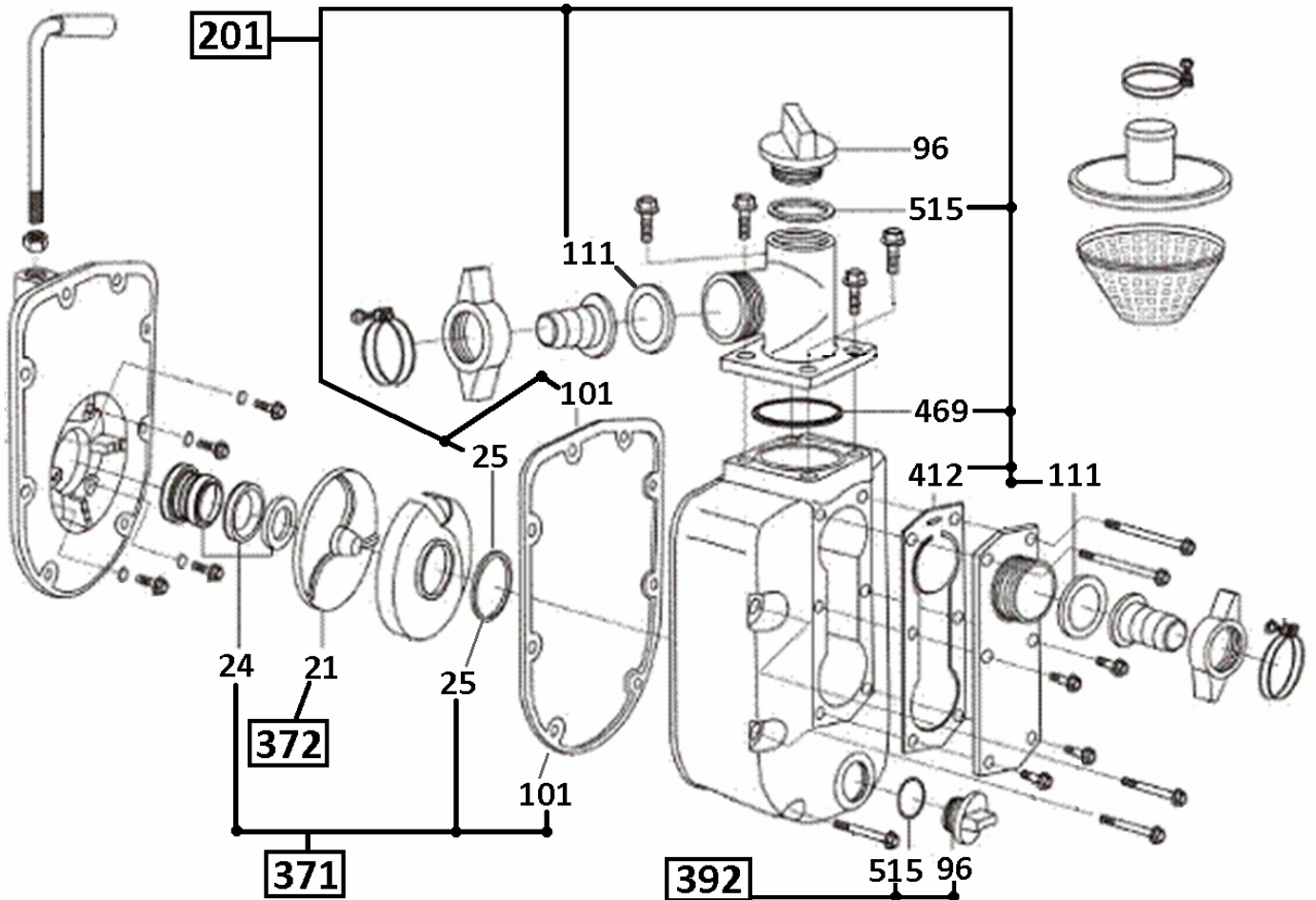
Dwg # DR120012

Sheet 1 of 2

FUEL TANK



HYDRAULIC COMPONENTS



Pentair Water Italy S.r.l.
Via Masaccio, 13
56010 Lugnano (PI)
ITALY

Drawn A.Bertola
Approved M.Bernacca

Title HYDROBLASTER 2.5
Date (dd/mm/yy) 01.06.2012
Filename DR120012_00

Sheet 2 of 2
Dwg # DR120012

This drawing is the absolute property of Pentair Water Italy S.r.l. It may not be reproduced in any form without the written permission of Pentair Water Italy S.r.l.