



www.esbe.se



SERIES VTC300

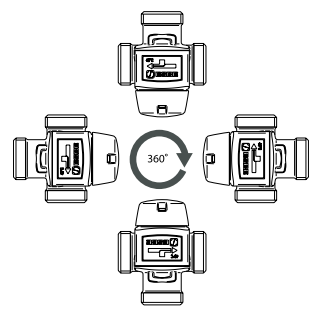
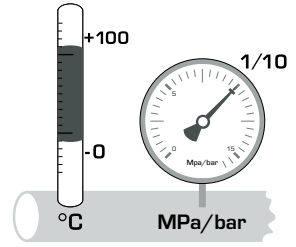


NO.1 IN HYDROMIC SYSTEM CONTROL

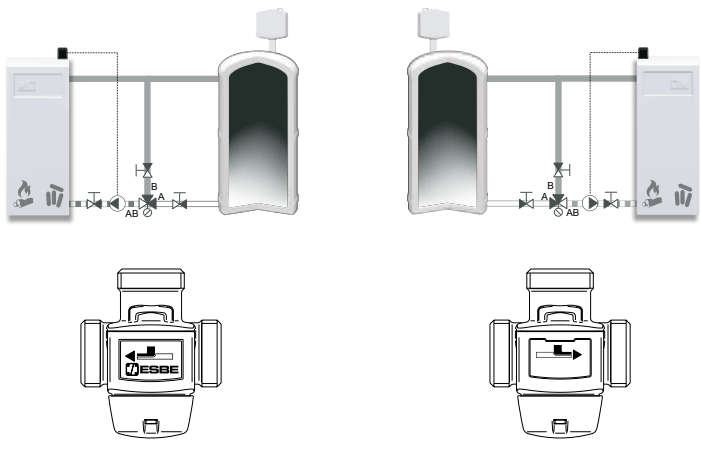
Mtrl.nrn: 9814 02 B6 • Rtr.nrn: 9143 utg. C • Rev. 0802



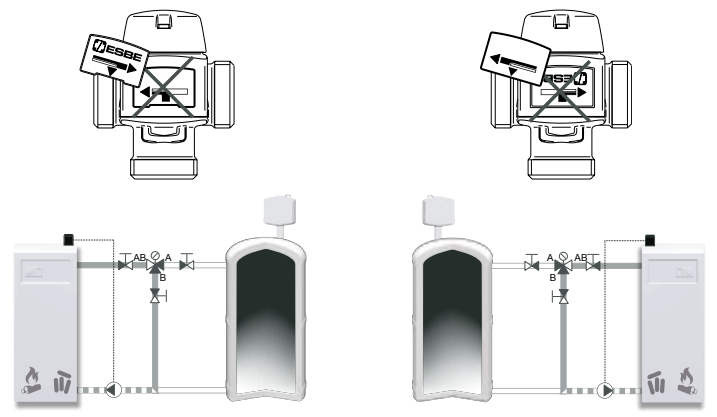
Series VTC311
 Series VTC312
 Series VTC317
 Series VTC318
 CE
 PED 97/23/EC



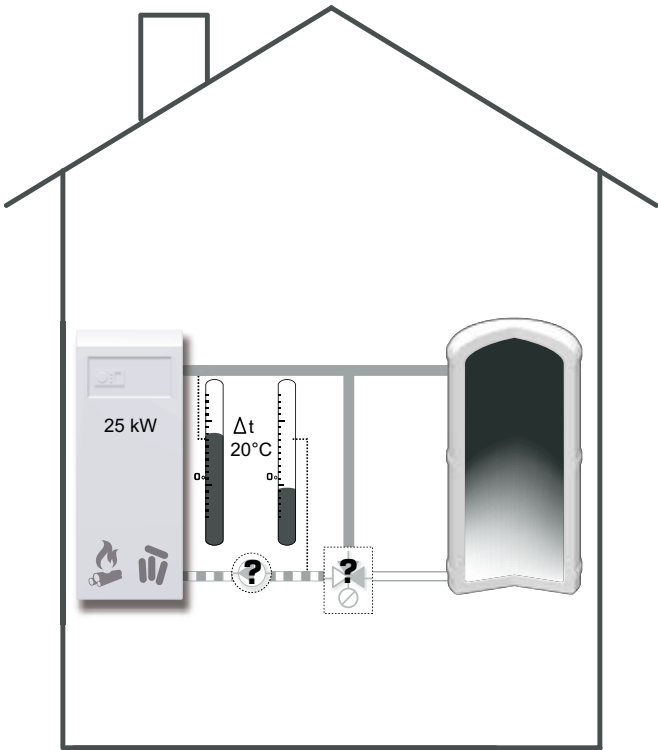
45/55/60/70/80 °C



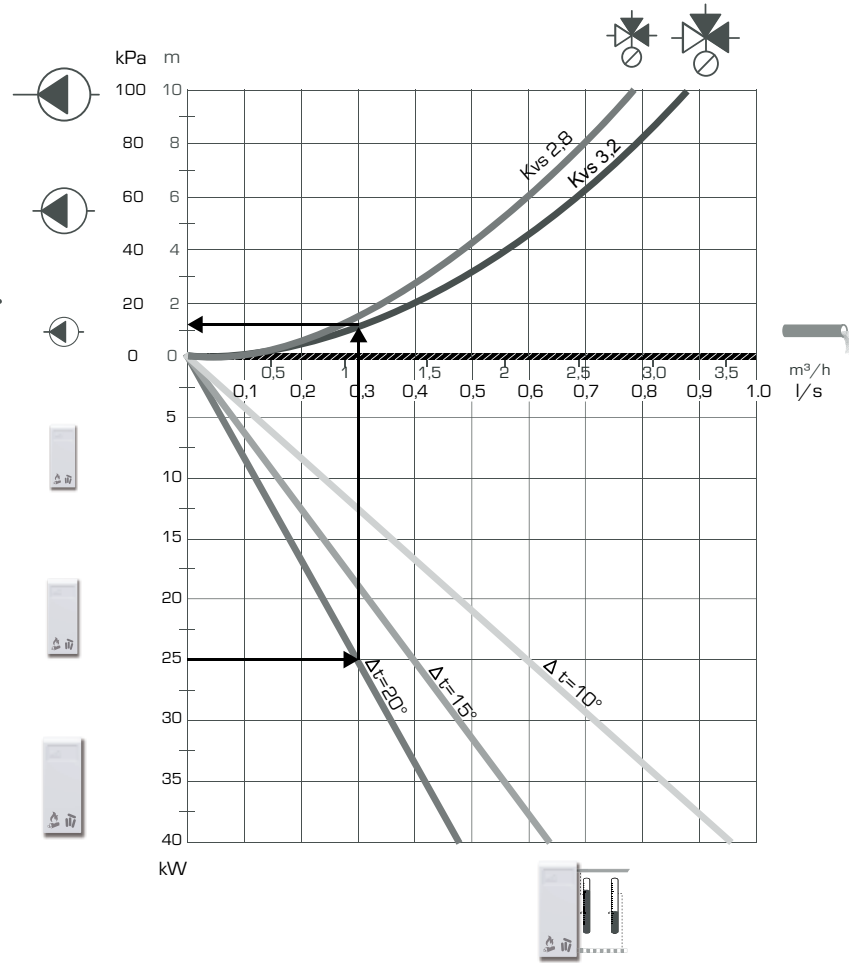
70/80 °C



1



2



3

