

# VISOGRAPH 2.0

---

LCD graphic keyboard



# Visograph 2.0

## WHAT IT DOES

Visograph 2.0, the evolution of Visograph LCD interface, maintains the same features, but with a new look and on-board temperature and humidity probes.

The keyboard is available in black and white, with flat or chamfered frame.



Temperature/humidity probe on board



Alarms and power supply LEDs



Membrane keyboard



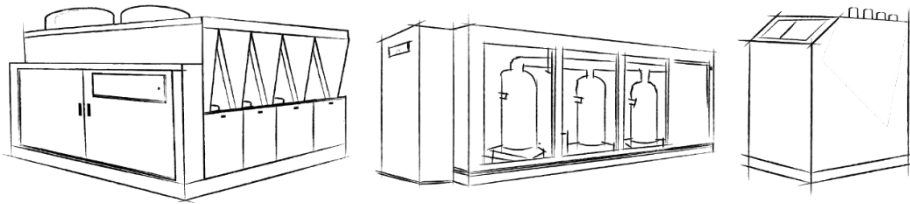
Quick panel or wall installation



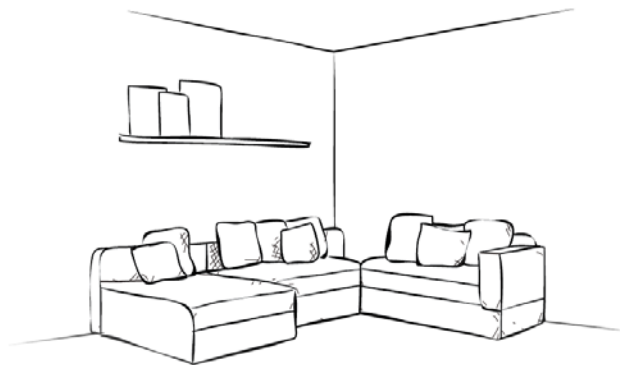
Quick programming by Hot Key

# Visograph 2.0

## Main applications



Models with dedicated software for **Chillers and Compressor racks, also with CO<sub>2</sub>.**



Models for **iProGENIUS** programmable controllers; the interface has to be developed by the user.  
The white keyboard is ideal for **residential environments.**

# Visograph 2.0

## Summary table

Keyboard	Compatible product
V2IPC	iProCHILL
V2I820	IC200 EVO
V2I890	IC290D - IC291D
V2IPR	iProRACK
V2IPRC	iProRACK for CO <sub>2</sub>
V2IPG	iProGENIUS

# Visograph 2.0

## Features



Red led for alarms and green led for power on

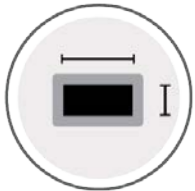
Internal temperature and humidity probe

# Visograph 2.0

## Features



Frontal **LEDs** (red and green)



**LCD** display (**240x96**pixels)



Using the **VISOPROG** programming tool for the creation of graphical user interfaces



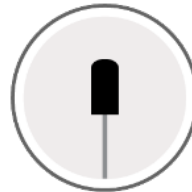
Support for **UNICODE** characters (Oriental languages)



Maximum distance from the controller: **100m**



On-board **temperature / humidity** probe



Possibility to connect an additional **remote probe**



**Visokey** connection to upload or download the application

# Visograph 2.0

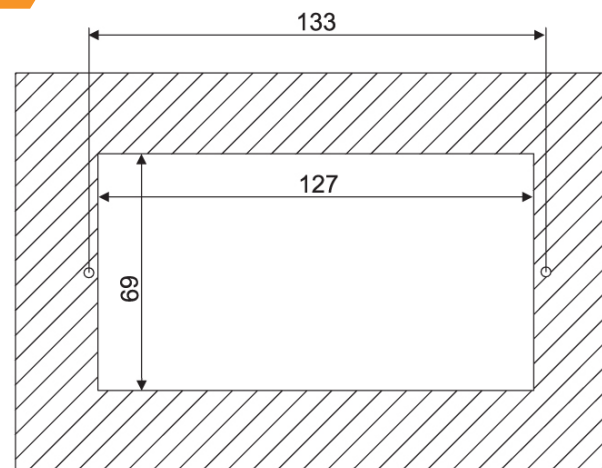
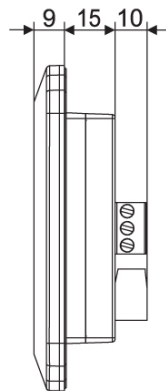
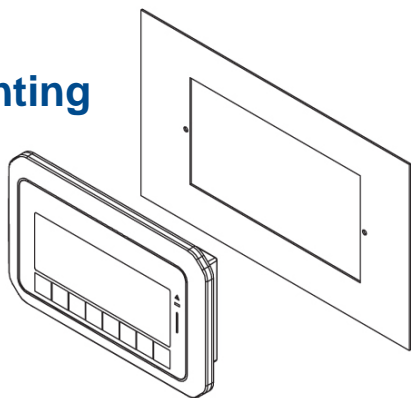
## Technical data

FEATURE	NOTE
Power supply	By the controller
Housing	Self extinguishing ABS
Display	240x96 pixel, monochromatic LCD display
LED	Red (alarm) green (power on)
Keyboard	Membrane keyboard / 8 keys
Dimensions	Front 95x148mm; 25mm depth for panel mounting and 25,5mm for wall mounting
Mounting	Panel mounting on 89x127mm hole or wall (same drilling template of Visograph 1.0)
Front protection	<b>Panel mounting:</b> model without on-board probes: IP54 model with on-board probes: IP30 <b>Wall mounting:</b> IP30
Probes (optional)	Temperature probe (on board) Humidity probe (on board) Output for external temperature probe
Outputs / Inputs	VISOKEY
Buzzer	Optional
Connections	Screw connector, max. 2.5 mm <sup>2</sup>
Operating temperature	-10÷60°C (14÷140°F)
Storage temperature	-30÷70°C (-22÷158°F)
Relative humidity	20÷85% (non condensing)

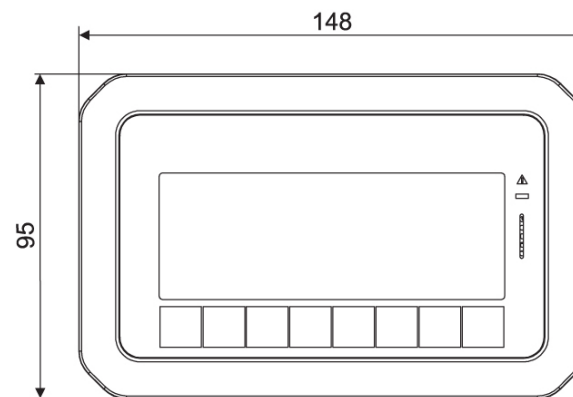
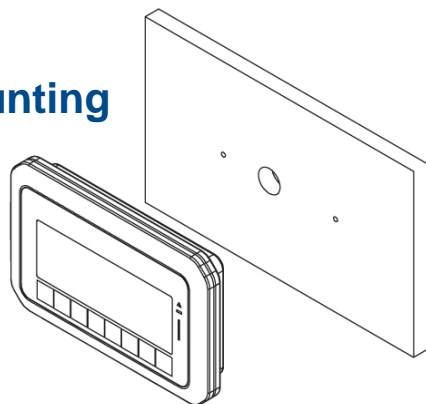
# Visograph 2.0

## Dimensions & cut out

### Panel mounting



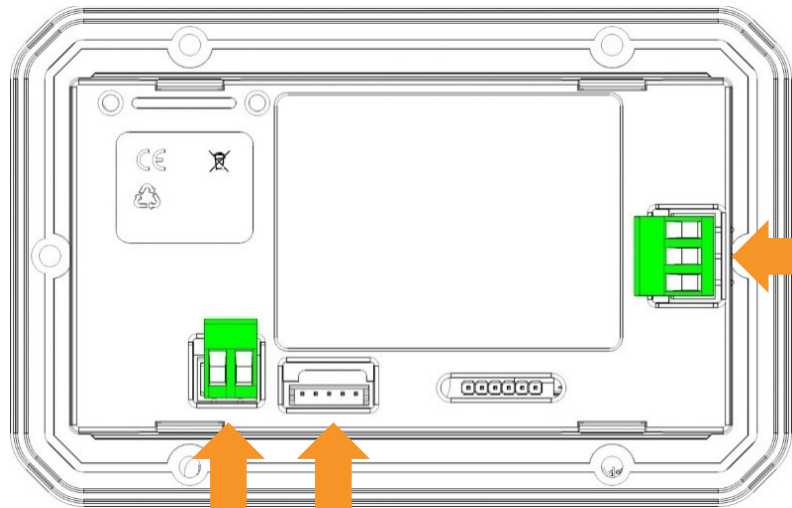
### Wall mounting





# Visograph 2.0

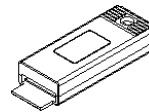
## Connections



Connection to the controller

- +12V
- Signal
- GND

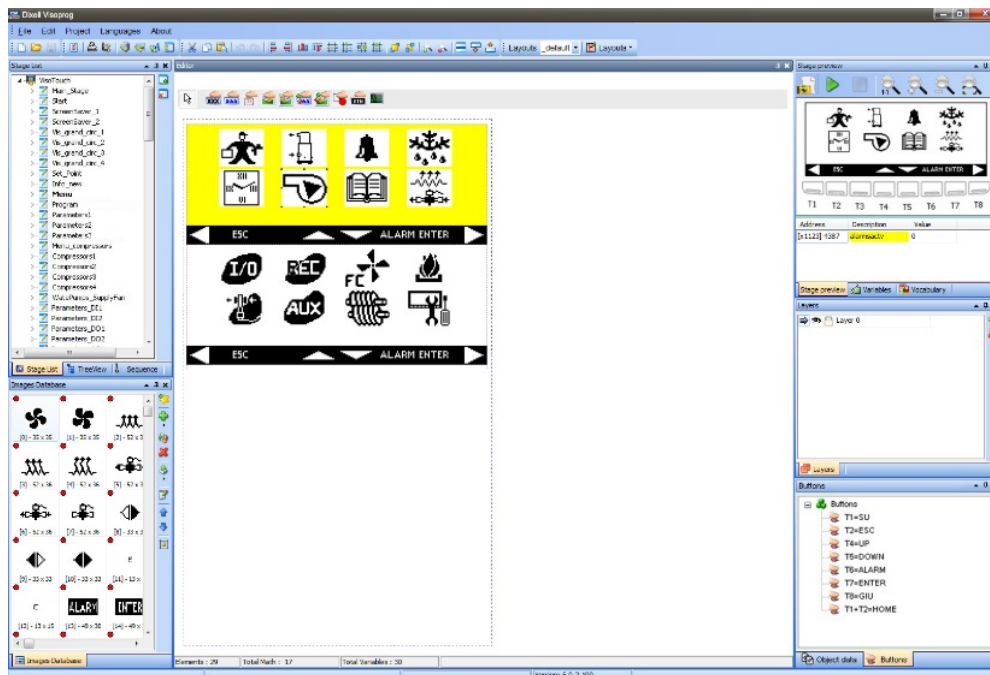
VISOKEY connector



External temperature probe

# Visograph 2.0

## Programming

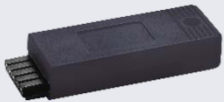


Applications developed for Visograph maintain the compatibility with Visograph 2.0



# Main accessories

---



## **VISOKEY 2.0**

Key for the programming of Visograph 2.0 keyboards

Size: 0,8x16x46mm

# THANK YOU!

Dixell reserves the right to alter its products without notice. All rights reserved.  
Because environmental conditions are outside of Dixell's control, we cannot assume  
liability for results obtained or any damages which may occur due to improper application.