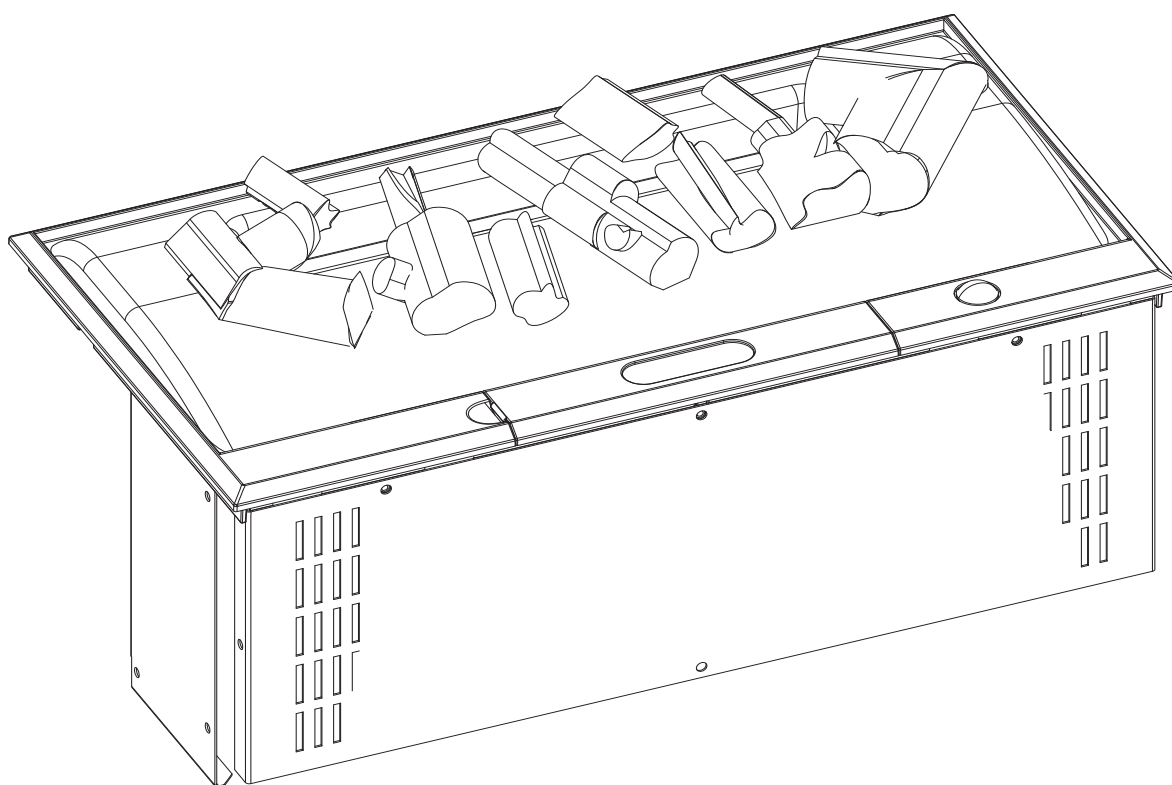


Dimplex



CASSETTE 400



Fig. 1

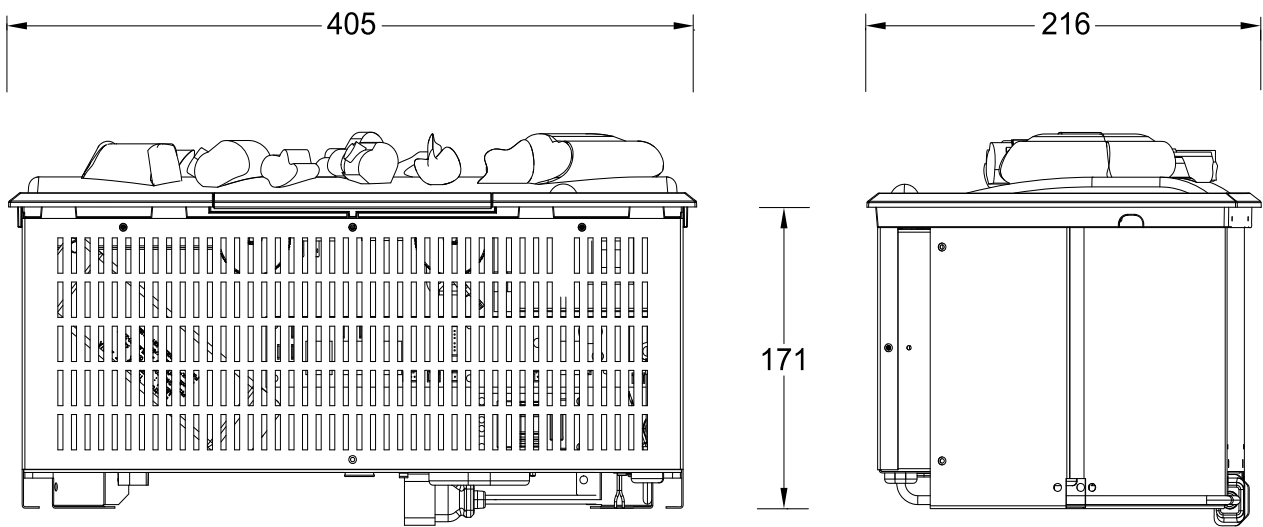


Fig. 2

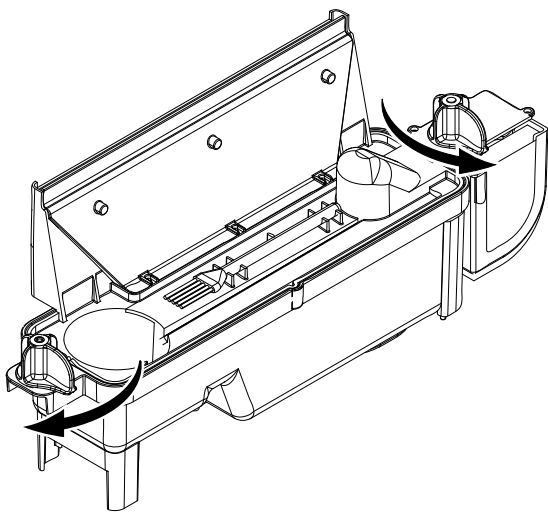


Fig. 3

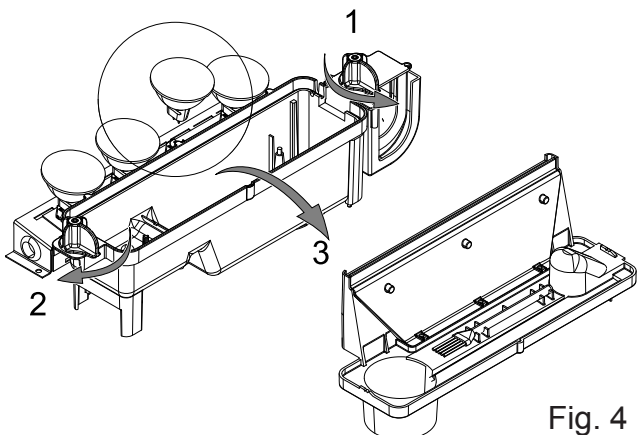
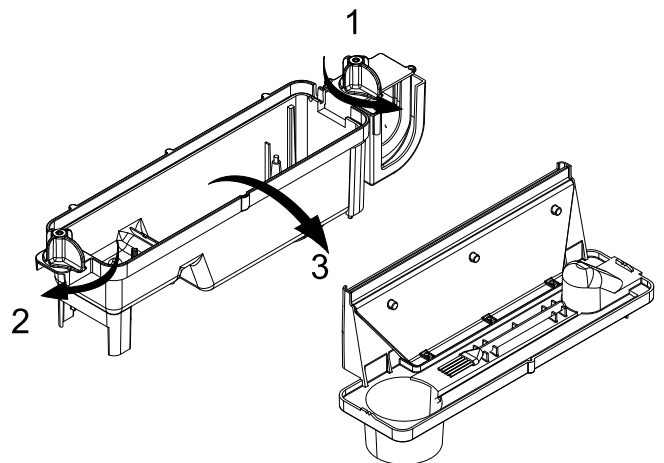


Fig. 4

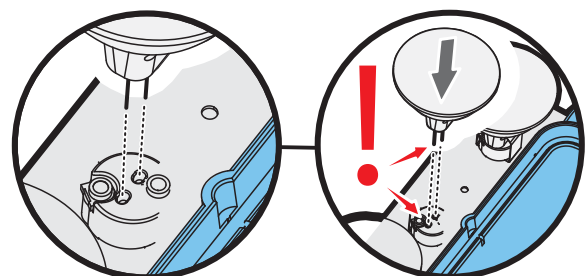


Fig. 4a

Fig. 5

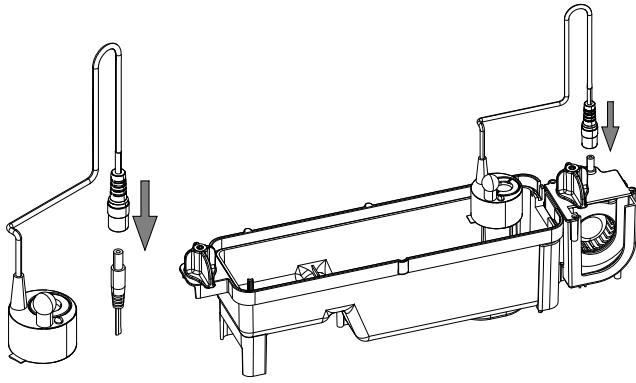


Fig. 5a

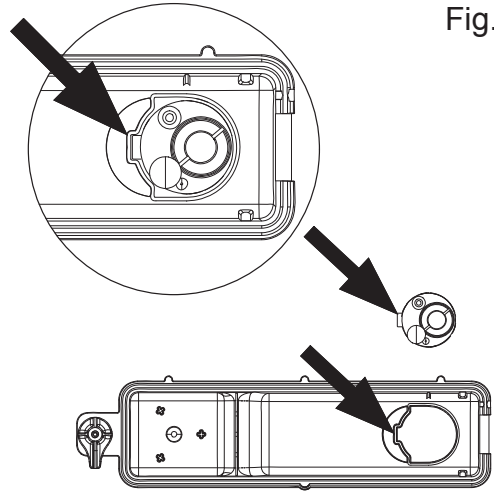


Fig. 5b

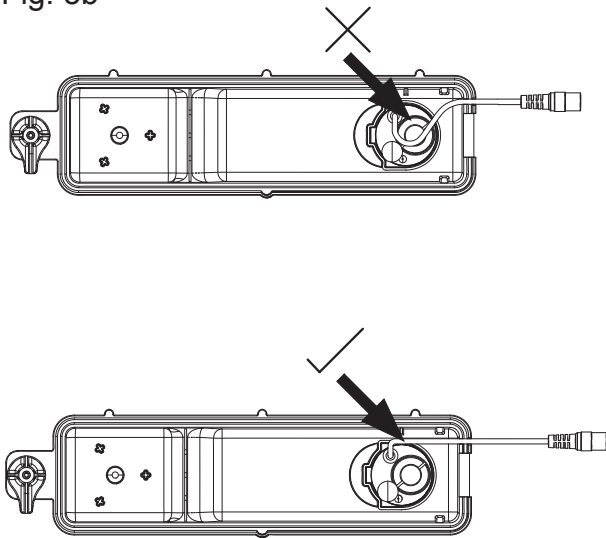


Fig. 6

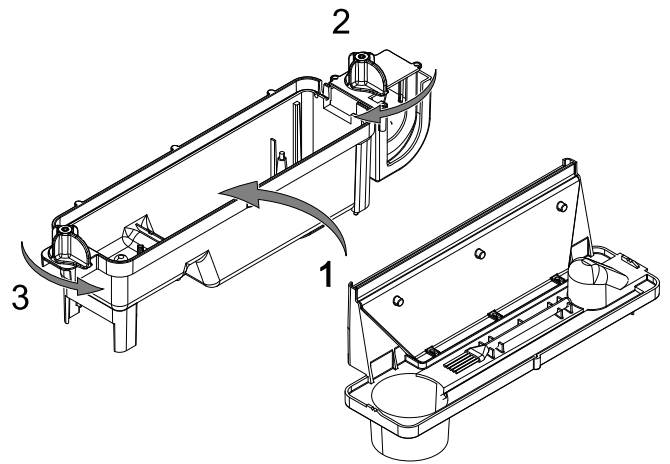


Fig. 7

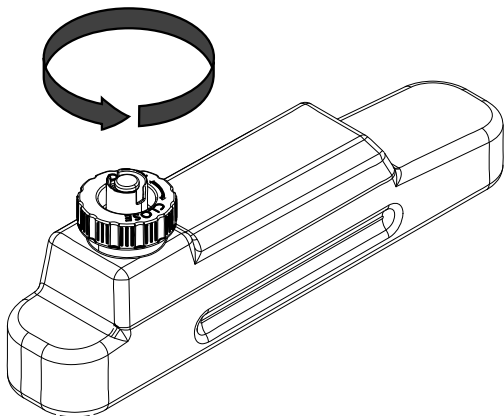


Fig. 8

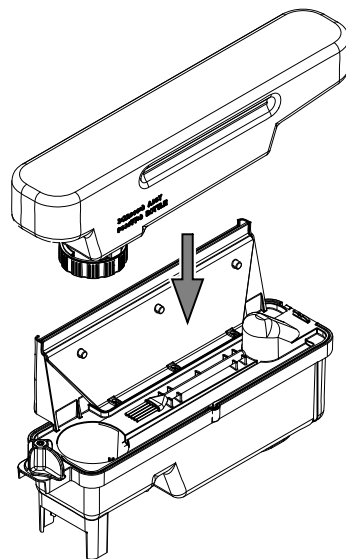


Fig. 9

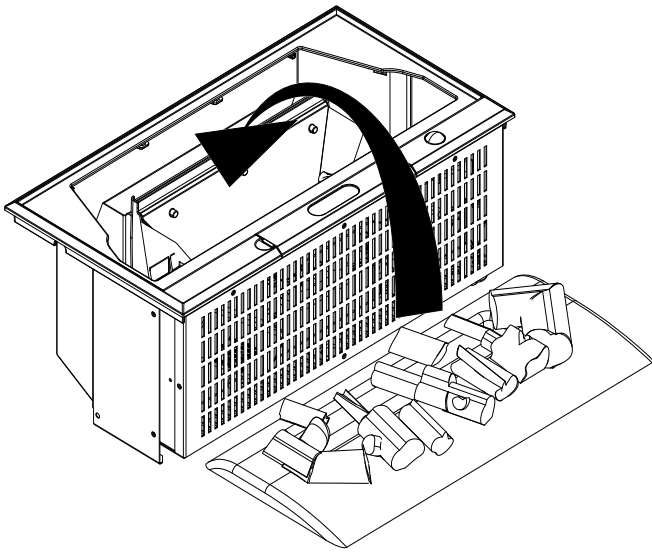


Fig. 10

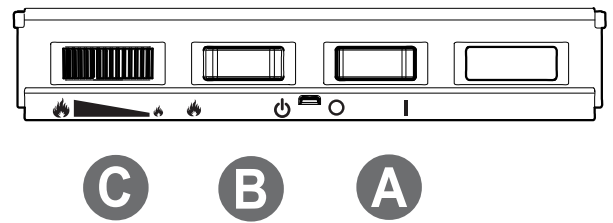


Fig. 11

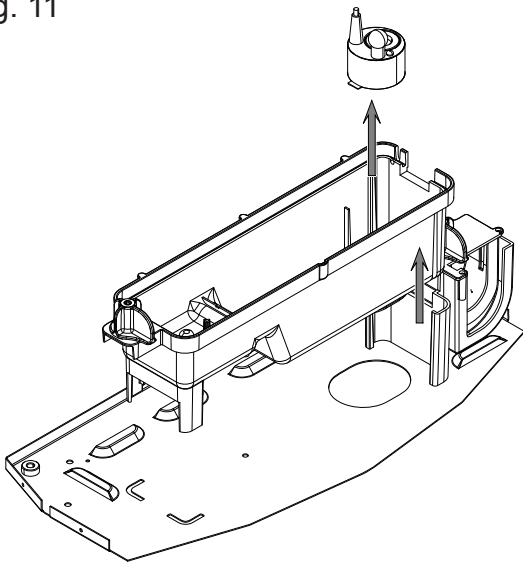


Fig. 12

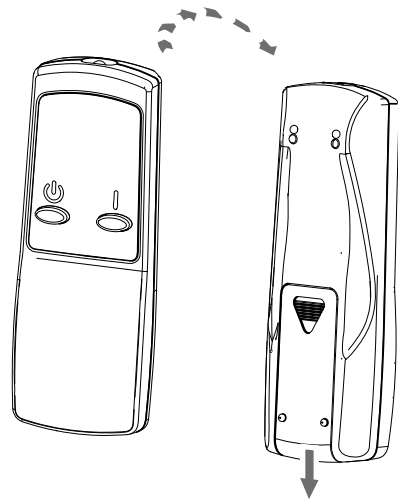


Fig. 13



Fig. 14

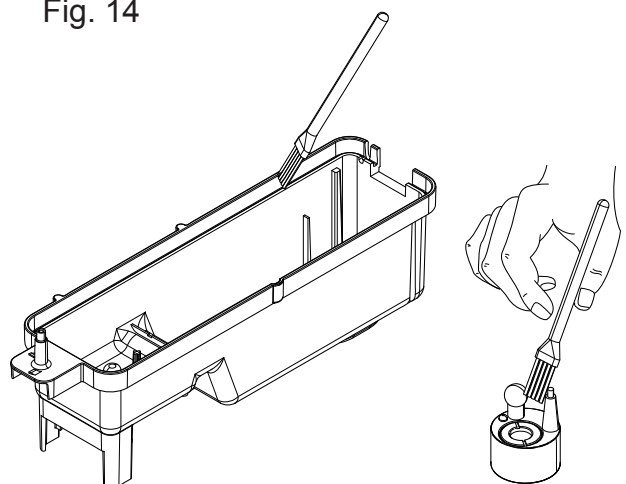


Fig. 15

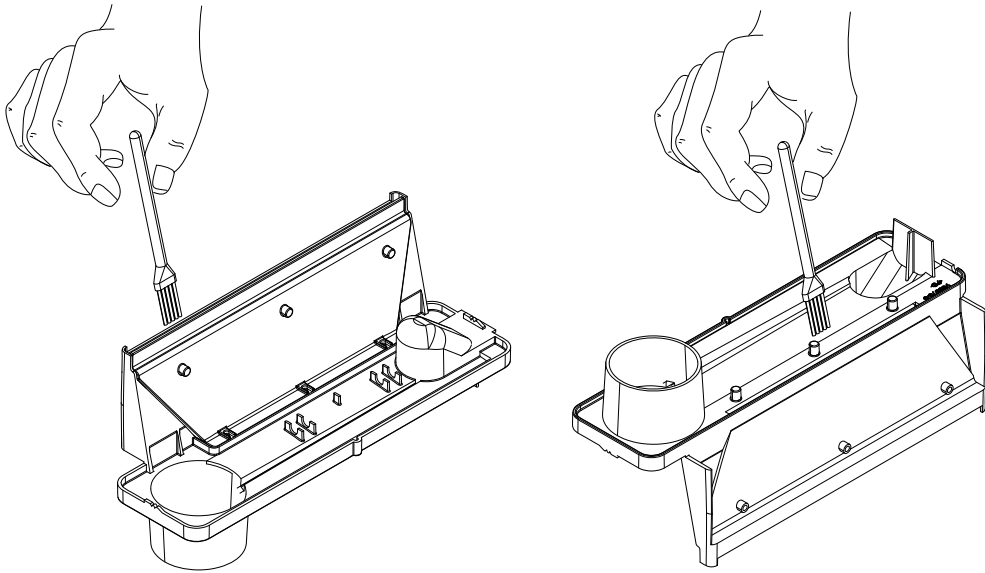


Fig. 16

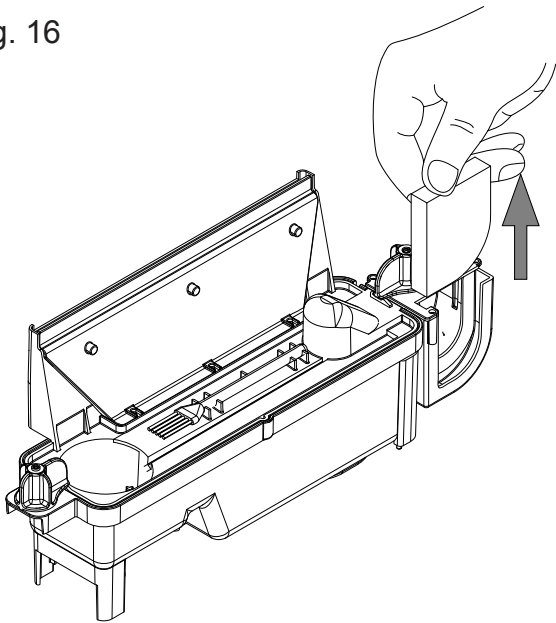
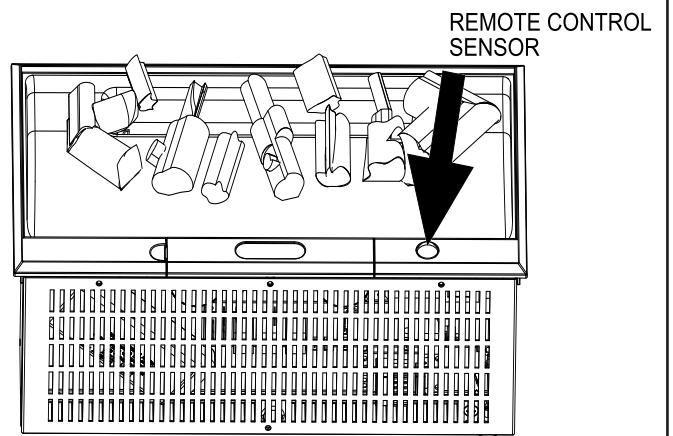


Fig. 17



UK	1
NO.....	6
SE.....	11
FI.....	16
PL	21
RU.....	26
CZ.....	32
LT	37
SZ	42

Introduction

Thank you for choosing this Dimplex electric fire. Please read this information guide carefully to be able to safely install, use and maintain your product.

Important Safety Advice

When using electrical appliances, basic precautions should always be followed to reduce the risk of fire, electrical shock and injury to persons, including the following:

1. WARNING

Do not place material or garments on, or obstruct the air circulation around the appliance. The appliance carries the Warning symbol indicating that it must not be covered.



2. DAMAGE

If the appliance is damaged, check with the supplier before installation and operation.

If the supply cord is damaged it must be replaced by the manufacturer or service agent or a similarly qualified person in order to avoid a hazard.

3. LOCATION

Do not use outdoors.

Do not use in the immediate surroundings of a bath, shower or swimming pool.

Do not locate the fire immediately below a fixed socket outlet or connection box.

Ensure that furniture, curtains or other combustible material are positioned no closer than 1 metre from the appliance.

4. PLUG POSITIONING

The appliance must be positioned so that the plug is accessible.

Keep the supply cord away from the front of the appliance.

5. UNPLUGGING

In the event of a fault unplug the device.

Unplug the device when not required for long periods.

6. OWNER/USER

This appliance is not intended for use by children or persons with reduced physical, sensory or mental capabilities, or lack of experience and knowledge, unless they have been given supervision or instruction concerning use of the appliance by a person responsible for their safety. Children should be supervised to ensure that they do not play with the appliance

7. ELECTRICITY

WARNING – THIS APPLIANCE MUST BE EARTHED.

This appliance must be used on an AC ~ supply only and the voltage marked on the appliance must correspond to the supply voltage.

Before switching on, please read the safety advice and operating instructions.

General Information

Only use filtered water in this appliance.

This model is designed to be free standing and is normally positioned near a wall.

Always ensure that the appliance is sitting on a level surface.

Please note: Used in an environment where background noise is very low, it may be possible to hear a sound which is related to the operation of the flame effect. This is normal and should not be a cause for concern.

If this product experiences a power surge for whatever reason the product may cut-out. This is a normal safety feature and the product will resume operation after 30 seconds.

Once installed, never move this appliance or lay on its back, without draining the water from sump and water tank.

If you intend not using the appliance for longer than 2 weeks, drain the water from sump and water tank and dry the sump.

The water tank, sump, sump lid, tank cap and air filters must be cleaned once every two weeks, particularly in hard water areas.

The appliance should never be operated if the lamps are not working.

The lamps should be regularly inspected as described under 'Maintenance' and 'Changing lamps'.

Installation Instructions

This section describes how to set up your fire.

BEFORE YOU START

1. Ensure that all packing items are removed (read any warning labels carefully) and retain all packing for possible future use e.g. in the event of moving house or returning the appliance to your supplier.
2. Before connecting to the mains supply, check that the supply voltage is the same as that stated on the appliance.

INSTALLATION

Place the appliance against a wall.

Connecting the Transducer Unit + Lamps

1. Release the two red tabs by turning them by 90 degrees (see Fig 2)
2. Lift out the Sump Nozzle (Fig 3)
3. Insert lamps into lamp holders (Fig 4), carefully locating the pins into the holes (Fig 4a)
4. Push lamps firmly into place
5. Place the Transducer Unit into the sump and join the cable to the connector on the sump (Fig 5)
6. To ensure that the Transducer Unit is correctly placed in the sump, the tab on the Transducer Unit should be lined up with the moulded recess in the sump (Fig 5a).
7. Ensure that the cable is not placed above the disc on the Transducer Unit (Fig 5b). To prevent the cable becoming pinched between the nozzle and the sump, place the cable in the slot in the wall of the sump.
8. Replace the Sump Nozzle and secure it by turning the two red tabs by 90 degrees (Fig 6)

Filling the Water Tank

9. Place Water Tank in sink and remove cap (turn anti-clockwise to open) (Fig 7)
10. Fill Water Tank with **filtered tap water only**. This is necessary to prolong the life of the flame and smoke effect producing unit. The water should be filtered through a conventional domestic water filter unit and the filter should be replaced regularly. Distilled water must **not** be used.
11. Screw the cap back on – **do not overtighten**.
12. Place the Water Tank in the Sump, with the tank cap facing down and the flat side of the tank facing outward (Fig 8)

Assembling the fire

13. Place the Fuelbed on top of the Water Tank and Mist Nozzle (Fig 9)

Connect the power cable to the appropriate power connector at the back of the appliance and Plug the power cable into a 13amp/240volt outlet. The appliance is now ready for use.

Operating the Fire


This section describes how to activate your fire using either the manual controls or remote control.


MANUAL CONTROLS

The manual controls are located beneath the hinged flap.
(See Fig.10 for Manual Control lay out)

Switch 'A':- Controls the electricity supply to the Fire.

Note: This switch must be in the 'ON' (I) position for the Fire to operate.

Switch 'B':- Press  once to turn on the flame effect. This will be indicated by an audible beep. Although the main lights operate immediately it will take a further 30 seconds before the flame effect starts.

Press  to put fire in to standby mode. This will be indicated by one beep.

Control Knob 'C':- Controls the intensity of the flame effect.


Turning the control knob to the left increases the flame effect, turning the control knob to the right will decrease the flame effect.


GETTING THE DESIRED FLAME EFFECT

1. The flame control knob 'C' (Fig.10) may be turned up or down to give a more realistic effect.
2. Generally the flames appear more realistic when the flame control is turned down.
3. Give the flame generator time to react to changes you may make.
4. The appliance will use less water if the flame effect is set to a lower level (control knob 'C').
5. Do not tilt or move the appliance while there is water in the tank or sump.
6. Make sure that the appliance is on a level floor.

REMOTE CONTROL OPERATION

On the control panel, Switch A (see Fig.10) must be in the 'ON' (I) position in order for the remote control to operate. There are 3 buttons on the remote control. (See Fig.12) To operate correctly the remote must be pointed towards the front of the grate. (See Fig 17). The remote control functions are as follows:

-  Press once to turn on Flame effect.
This will be indicated by one beep.

-  Standby
This will be indicated by one beep.

Maintenance

GENERAL TIPS

Only use filtered tap water in this appliance.

Always ensure that the appliance is sitting on a level surface.

If you intend not using the appliance for longer than 2 weeks, remove and empty the sump and water tank.

Once installed, never move this appliance or lay on its back, without draining the water from sump and water tank.

The appliance should never be operated if the lamps are not working.

The lamps should be regularly inspected as described under 'Changing lamps'.

FILLING THE WATER TANK

When the water tank is empty, the flame and smoke effect shuts off and you will hear 2 audible beeps, follow these steps.

1. Press Switch 'A' to **(0)** (See Fig.10)
2. Gently lift out the fuelbed and carefully set aside.
3. Remove the water tank by lifting upwards and outwards.
4. Place the water tank in sink and remove cap, Anti-clockwise to open. (Fig 7)
5. Fill tank with **filtered tap water only**. This is necessary to prolong the life of the flame and smoke producing unit. The water should be filtered through a conventional domestic water filter unit and the filter should be replaced regularly.
6. Screw the cap back on, do not over tighten.
7. Return the tank to the sump, with the tank cap facing down and the flat side of the tank facing outward. (Fig 8)
8. Gently place the fuelbed back into position. (Fig 9)
9. Press Switch 'A' to 'ON' **(I)** position (See Fig.10)

CHANGING LAMPS

If the flame and smoke effect appears grey or colourless it may be that one or more lamps have failed.

You can check for lamp failure as follows.

1. Leaving the flame effect on, lift out the fuelbed and water tank.
2. It should be possible to view the lamps with the nozzle in place and observe which one needs to be changed.
3. Put Switch 'A' in the 'OFF' **(0)** position, and unplug the fire from the mains.
4. Leave the appliance for 20 minutes to allow the lamps to cool down before removing them.
5. Remove the sump as described in the Cleaning Section.
6. Remove the defective lamp, by gently lifting vertically and disengaging the pins from the lamp holder, (See Fig.4 and 4a).
Replace with an Dimplex Optimyst, 12V, 45W, Gu5.3 base, 8° beam angle, coloured lamp.
7. Carefully insert the two pins of the new lamp into the two holes in the lamp holder. Push firmly in place. (See Fig.4 and 4a).
8. Replace the sump, nozzle, water tank and fuelbed.

CLEANING

Warning – Always press Switch 'A' to the 'OFF' **(0)** position (See Fig.10) and disconnect from the power supply before cleaning the fire.

We recommend cleaning the following components once every 2 weeks, particularly in hard water areas:-

Water Tank, Sump, Nozzle, Tank cap and seal, Air filter.

For general cleaning use a soft clean duster – never use abrasive cleaners.

To remove any accumulation of dust or fluff, the soft brush attachment of a vacuum cleaner should occasionally be used.

Water tank

1. Remove water tank, as described earlier, put into sink and empty water.
2. Using the supplied brush gently rub the inside surfaces of the cap paying particular attention to the rubber ring in the outer groove and the centre rubber seal.
3. Put a small quantity of washing up liquid into the tank, refit the cap and shake well, rinse out until all traces of washing up liquid are gone.
4. Refill with filtered tap water only, replace the cap, do not overtighten.

Sump

1. Press Switch 'A' to the 'OFF' (0) position
2. Gently lift out the fuelbed and place carefully on the ground.
3. Remove the water tank by lifting upwards.
4. Disconnect the electrical connector, located on the right side of the sump. (See Fig.5) .
5. Release the right sump locking tabs by turning 90°. This allows the sump to be lifted completely from its location.
6. Gently lift up the sump, taking care to keep level so as not to spill any water. Sit the assembly in the sink.
7. Release the left sump locking tabs by turning 90°, then lift off the Nozzle. (See Fig.3)
8. Lift out the transducer and carefully tilt, as shown, so that the liquid drains out of the sump. (See Fig.13)
9. Put a small amount of washing up liquid into the sump, and using the supplied brush, gently clean all surfaces in the sump and gently clean the transducer including the metal discs located in the top grooved surface. (See Fig.14)
10. When cleaned, thoroughly rinse the sump with clean water to remove all traces of washing up liquid.
11. Clean the Nozzle with the brush and flush out thoroughly with water. (See Fig.15)
12. Reverse the above steps to reassemble.

Air filter

1. Gently lift out the fuelbed and place carefully on the ground.
2. Gently slide the air filter upwards out of its plastic holder. (See Fig.16)
3. Gently rinse with water in the sink and dry with fabric towel before returning.
4. Replace the filter making sure that the coarse black filter is facing the front of the fire.
5. Replace the fuelbed.

Additional Information

AFTER SALES SERVICE

Your product is guaranteed for 2 years from the date of purchase. Within this period, we undertake to repair or exchange this product free of charge (excluding lamps & subject to availability) provided it has been installed and operated in accordance with these instructions. Your rights under this guarantee are additional to your statutory rights, which in turn are not affected by this guarantee.

RECYCLING



For electrical products sold within the European Community - At the end of the electrical products useful life it not be disposed of with household waste. Please recycle where facilities exist. Check with your Local Authority or retailer for recycling advice in your country.

PATENT / PATENT APPLICATION

Products within the Optimyst range are protected by one or more of the following patents and patent applications:

Great Britain GB 2402206, GB 2460259, GB 2460453 , GB 2418014, GB 2465738, GB 2449925, GB 2465537 , GB 2455277 , GB1020534.2, GB1020537.5, GB1110987.3

United States US 7967690, US 2010299980, US 2011062250, US 2008028648, US 13/167,042

Russia RU2008140317

European EP 2029941, EP 2201301, EP 2315976, EP 1787063, EP07723217.1 , EP11170434.2, EP 11170435.9

China CN 101883953, CN 200980128666.2, CN 101057105, CN 101438104

Australia AU 2009248743, AU 2007224634

Canada CA 2725214, CA 2579444, CA 2645939

International Patent Application WO 2006027272

South Africa ZA 200808702

Mexico MX 2008011712

Korea KR 20080113235

Japan JP 2009529649

Brazil BR P10708894-9

India IN 4122/KOLNP/2008

New Zealand NZ 571900

Troubleshooting

Symptom	Cause	Corrective Action
The flame effect will not start.	<p>Mains plug is not plugged in.</p> <p>Low water level.</p> <p>Low voltage connector not connected properly. (See Fig.5)</p> <p>The Transducer Unit is not sitting correctly in the sump</p>	<p>Check plug is connected to wall socket correctly.</p> <p>Check that the water tank is full and there is water in the sump.</p> <p>Check that the connector is inserted correctly. (See Fig.5)</p> <p>Ensure the Transducer is sitting down into the moulded recess in the sump</p>
The flame effect is too low.	<p>Flame effect control knob is set too low. (See Fig.10)</p> <p>The Metal Disc in the transducer might be dirty (See Fig.14)</p> <p>The wire from the Transducer Unit is sitting over the metal disc</p>	<p>Increase level of flame by turning Control knob 'D' to the left slowly. (See Fig.10)</p> <p>Clean the Metal Disc with soft brush supplied. (See Fig.14) See 'Maintenance.' for a step by step procedure.</p> <p>Direct the wire to the back of the sump and make sure it sits into the side slot exiting the sump.</p>
Unpleasant smell when unit is used.	<p>Dirty or stale water.</p> <p>Using unfiltered tap water.</p>	<p>Clean the unit as described under maintenance.</p> <p>Use only filtered tap water.</p>
The flame effect has too much smoke.	<p>Flame effect setting is too high.</p>	<p>Turn the flame effect Control knob 'D' to the right, about ¼ a turn, at a time. Give the flame generator some time to adjust to the new setting. (See Fig.10)</p>
Main lamps are not working and there are no flames or smoke.	<p>There is no water in the water tank</p>	<p>Follow instructions under Maintenance, 'Filling the water tank'.</p> <p>Check the plug is connected to the wall socket correctly and that Switch 'A' Fig. 10 is in the 'ON' (I) position.</p>

Innledning

Takk for at du valgte denne elektriske ilden fra Dimplex. Vennligst les denne informasjonsveiledningen nøye for å trygt kunne installere, bruke og vedlikeholde produktet ditt.

Viktige sikkerhetsforholdsregler

Ved bruk av elektriske apparater bør grunnleggende forholdsregler alltid følges for å redusere risiko relatert til brann, elektriske støt og personskader, inkludert følgende:

1. ADVARSEL

Ikke plasser materiale eller stoffer på, eller hindre luftsirkulasjonen rundt, apparatet.

Dette apparatet kommer med en IKKE DEKK-advarsel.



2. SKADE

Dersom apparatet er skadet, forhør deg med leverandøren før installasjon og bruk.

Dersom strømledningen er skadet, må den skiftes ut av produsenten eller et serviceverksted eller en tilsvarende kvalifisert person for å unngå fare.

3. PLASSERING

Ikke bruk utendørs.

Ikke bruk i umiddelbar nærhet av badekar, dusj eller svømmebasseng.

Ikke plasser ilden rett under en fast stikkontakt eller koblingsboks.

Sørg for at møbler, gardiner og andre brennbare materialer ikke plasseres nærmere enn 1 meter fra apparatet.

4. PLUGG-POSISJONERING

Apparatet må posisjoneres slik at pluggen er tilgjengelig.

Hold strømledningen unna forsiden av apparatet.

5. FRAKOBLING

Ved tilfelle av en feil, frakoble enheten.

Frakoble enheten når den ikke skal brukes over en lengre tidsperiode.

6. EIER/BRUKER

Dette apparatet er ikke tiltenkt bruk av barn eller personer med redusert fysisk, sensorisk eller psykisk funksjonsevne, eller manglende erfaring og kunnskap, med mindre de er under tilsyn eller har fått instruksjoner som omhandler bruk av apparatet av en person ansvarlig for sikkerheten deres. Barn bør holdes under tilsyn for å sørge for at de ikke leker med apparatet.

7. ELEKTRISITET

ADVARSEL – DETTE APPARATET MÅ JORDES.

Dette apparatet kan kun brukes med en AC ~-forsyning og spenningen markert på apparatet må tilsvare forsyningsspenningen.

Før du slår på apparatet, sørg for at du leser sikkerhetsforholdsreglene og driftsinstruksjonene.

ADVARSEL – For å unngå overoppheting, ikke dekk til apparatet.

Generell informasjon

Kun bruk filtrert vann i dette apparatet.

Denne modellen er designet for å stå fritt og posisjoneres normalt sett i nærheten av en vegg.

Alltid sørg for at apparatet er plassert på en jevn overflate.

Vennligst merk deg: Når brukt i et miljø hvor bakgrunnsstøyen er veldig lav, kan det være mulig å detektere en lyd som er relatert til prosessen rundt flammeeffekten. Dette er normalt og bør ikke være noe å bekymre seg for.

Dersom dette produktet opplever en overspenning, uansett grunn, kan det slå seg av automatisk. Dette er en sikkerhetsfunksjon og produktet vil gjenoppta drift innen 30 sekunder.

Når det er blitt installert, aldri flytt på dette apparatet eller legg det sidelengs uten å drenere vannet fra bunnpannen og vanntanken.

Dersom du ikke tenker å bruke apparatet i en tidsperiode på over 2 uker, drener vannet fra bunnpannen og vanntanken, og deretter tørk bunnpannen.

Vanntanken, bunnpannen, bunnpanelokket, tankklokke og luftfiltrene må rengjøres én gang hver 2. uke, spesielt i områder med hardt vann.

Apparatet bør aldri brukes dersom lampene ikke fungerer.

Lampene bør inspiseres på regelmessig basis, som beskrevet under 'Vedlikehold' og 'Skifte ut lamper'.

Installasjonsinstruksjoner

Dette avsnittet beskriver hvordan du gjør klar ilden din.

FØR DU STARTER

1. Sørg for at all emballasje fjernes (les alle advarsler nøye) og ta vare på det for fremtidig referansebruk, f.eks. i tilfelle du bytter bopel eller returnerer apparatet til forhandleren din.
2. Før du kobler til strømforsyningen, kontroller at forsyningsspenningen er den samme som markert på apparatet.

INSTALLASJON

Plasser apparatet mot en vegg.

Tilkobling av transduserenheten og lamper

1. Frigjør de to røde tappene ved å vri dem 90 grader. (se Fig. 2)
2. Løft ut bunnpannedysen. (Fig. 3)
3. Sett lampene i lampeholderne (Fig. 4) mens du forsiktig posisjonerer tappene på plass i hullene. (Fig. 4a)
4. Dytt lampene godt på plass.
5. Plasser transduserenheten i bunnpannen og koble ledningen til bunnpannekontakten. (Fig. 5)
6. For å sørge for at transduserenheten er plassert på korrekt vis i bunnpannen, bør tappene på transduserenheten være på linje med den formstøpte fordypningen i bunnpannen. (Fig. 5a)
7. Sørg for at ledningen ikke plasseres over disken til transduserenheten (Fig. 5b). For å forhindre at ledningen blir klemt mellom dysen og bunnpannen, plasser ledningen i sporet som er å finne i veggens til bunnpannen.
8. Sett på plass bunnpannedysen og fest den ved å vri de to røde tappene 90 grader. (Fig. 6)

Fylle vanntanken

9. Plasser vanntanken i vasken og fjern lokket (vri mot klokken for å åpne). (Fig. 7)
10. Kun fyll vanntanken med **filtrert springvann**. Dette er nødvendig for å forlenge levetiden til flamme- og røykeeffektfunksjonene. Vannet bør filtreres gjennom en konvensjonell husholdnings-vannfilterenhet og filteret bør skiftes ut på regelmessig basis. Destillert vann kan **ikke** brukes.
11. Skru på plass lokket – **ikke stram for mye**.
12. Plasser vanntanken i bunnpannen, med tanklokket vendt nedover og flatsiden til tanken vendt utover. (Fig. 8)

Sette opp ilden

13. Plasser brenselsystemet på toppen av vanntanken og tåkedysen. (Fig. 9)

Koble strømledningen til den hensiktsmessige strømkontakten på baksiden av apparatet og plugg strømledningen i en 13amp/240volts stikkontakt. Apparatet er nå klart til bruk.

Kontrollere ilden


Dette avsnittet beskriver hvordan du aktiverer ilden din ved å enten bruke de manuelle kontrollene eller fjernkontrollen.


MANUELLE KONTROLLER

De manuelle kontrollene er lokalisert under den hengslede klaffen.
(Se Fig. 10 for oppsett av manuelle kontroller)

Bryter 'A': Kontrollerer strømforsyningen til ilden.

Merknad: Denne bryteren må være i 'ON' (I)-posisjonen for at ilden skal starte.

Bryter 'B': Trykk på  én gang for å slå på flammeeffekten. Dette vil indikeres ved et hørbart pip. Selv om hovedlysene tennes umiddelbart, vil det ta ytterligere 30 sekunder før flammeeffekten starter.

Trykk på  for å sette ilden i standby-modus. Denne vil indikeres ved ett pip.

Kontrollknapp 'C': Kontrollerer intensiteten til flammeeffekten.

Vrir du kontrollknappen til venstre vil du øke flammeeffekten, og vrir du den til høyre vil du redusere effekten.

OPPNÅ DEN ØNSKEDE FLAMMEEFFEKTEN

1. Kontrollknapp 'C' (Fig. 10) skal skrues opp og ned for å gi en mer realistisk effekt.
2. Normalt sett virker flammene mer realistiske når intensiteten er slått ned.
3. Tillat flammegeneratoren tid til å reagere på endringene du foretar.
4. Apparatet vil bruke mindre vann dersom flammeeffekten er satt til et lavere nivå (kontrollknapp 'C').
5. Ikke velt eller flytt apparatet mens det er vann i tanken eller bunnpannen.
6. Sørg for at apparatet er posisjonert på et jevnt gulv.

FJERNKONTROLL

På kontrollpanelet er bryter A (se Fig. 10) nødt til å være i 'ON' (I)-posisjonen for at fjernkontrollen skal fungere.

Det er 3 knapper på fjernkontrollen. (Se Fig. 12) For korrekt bruk av fjernkontrollen, er den nødt til å pekes mot forsiden av brennkammeret. (Se Fig. 17). Fjernkontrollfunksjonene er som følger:

- I Trykk én gang for å slå på flammeeffekten. Denne vil indikeres ved ett pip.



- Standby Denne vil indikeres ved ett pip.

Vedlikehold

GENERELLE TIPS

Bruk kun filtrert springvann i dette apparatet.

Alltid sørg for at apparatet er plassert på en jevn overflate.

Dersom du ikke har tiltenkt bruk av apparatet i en tidsperiode lengre enn 2 uker, fjern og tøm bunnpannen og vanntanken.

Når det er blitt installert, aldri flytt på dette apparatet eller legg det sidelengs uten å drenere vannet fra bunnpannen og vanntanken.

Apparatet bør aldri brukes dersom lampene ikke fungerer.

Lampene bør inspiseres regelmessig, som beskrevet under 'Skifte ut lamper'.

FYLLE VANNTANKEN

Når vanntanken er tom, vil flamme- og røykeeffekten slås av og du vil høre 2 pip. Følg da disse stegene.

1. Vri bryter 'A' til (0). (Se Fig. 10)
 2. Løft brenselsystemet forsiktig ut og sett det til side.
 3. Fjern vanntanken ved å løfte den opp og ut.
 4. Plasser vanntanken i vasken og fjern lokket, vri mot klokken for å åpne. (Fig. 7)
 5. Kun fyll tanken med **filtrert springvann**. Dette er nødvendig for å forlenge levetiden til flamme- og røykeeffektfunksjonene.
- Vannet bør filtreres gjennom en konvensjonell husholdnings-vannfilterenhet og filteret bør skiftes ut på regelmessig basis.
6. Skru på plass lokket, ikke stram for mye.
 7. Plasser tanken tilbake i bunnpannen, med tanklokket vendt nedover og den flate siden vendt utover. (Fig. 8)
 8. Plasser brenselsystemet forsiktig tilbake i posisjon. (Fig. 9)
 9. Vri bryter 'A' til 'ON' (I)-posisjonen. (Se Fig. 10)

SKIFTE UT LAMPER

Dersom flamme- og røykeeffekten virker grå eller fargeløs, kan det være at én eller flere lamper har sluttet å fungere. Du kan kontrollere dette ved å gjøre følgende.

1. Mens flammeeffekten er på, løft ut brenselsystemet og vanntanken.
 2. Det skal være mulig å se lampene mens dysen er på plass og observere hvilken som trengs og skiftes ut.
 3. Vri bryter 'A' til 'OFF' (0)-posisjonen og koble ilden fra strømforsyningen.
 4. La apparatet stå i 20 minutter for å la lampene kjøle seg ned før du fjerner dem.
 5. Fjern bunnpannen som beskrevet i rengjøringsavsnittet.
 6. Fjern den ikke-fungerende lampen ved å forsiktig løfte den vertikalt og frakoble tappene fra lampeholderen. (Se Fig. 4 og 4a).
- Skift ut med en Dimplex Optimyst, 12V, 45W, Gu5.3 base, 8° strålevinkel, farget lampe.
7. Sett de to tappene til den nye lampen forsiktig i de to hullene i lampeholderen. Press den godt på plass. (Se Fig. 4 og 4a).
 8. Sett på plass bunnpannen, dysen, vanntanken og brenselsystemet.

RENGJØRING

Advarsel – Alltid vri bryter 'A' til 'OFF' (0)-posisjonen (Se Fig. 10) og koble fra strømforsyningen før du rengjør ilden.

Vi anbefaler å rengjøre følgende komponenter én gang hver 2. uke, spesielt i områder med hardt vann:

Vanntanken, bunnpannen, dysen, tanklokket og -forseglingen, luftfiltrene.

For generell rengjøring, bruk en myk, ren støvklut – aldri bruk skuremidler.

For å fjerne eventuell oppbygging av støv eller lo, bør mykbørste-utstyret til en støvsuger anvendes regelmessig.

Vanntank

1. Fjern vanntanken, som tidligere beskrevet, plasser den i vasken og tøm vannet.
2. Ved å bruke den medfølgende børsten, børst innsiden av tanken mens du fokuserer ekstra på gummiringen i det ytre sporet og den midtre gummipakningen.

3. Plasser en liten mengde flytende oppvaskmiddel i tanken, sett på plass lokket og rist godt, skyll deretter ut alle spor av oppvaskmiddelet.

4. Fyll på tanken med filtrert springvann, sett på plass lokket og ikke stram for hardt.

Bunnpanne

1. Vri bryter 'A' til 'OFF' (0)-posisjonen.

2. Løft brenselssystemet forsiktig ut og plasser det på bakken.

3. Fjern vanntanken ved å løfte den oppover.

4. Koble fra den elektriske kontakten, lokalisert på høyre side av bunnpannen. (Se Fig. 5).

5. Frigjør de høyre bunnpanne-låsetappene ved å vri 90°. Dette gjør at bunnpannen kan løftes fra posisjonen sin.

6. Løft forsiktig opp bunnpannen, mens du passer på å holde den jevnt slik at du ikke søler noe vann. Plasser bunnpannen forsiktig i vasken.

7. Frigjør de venstre bunnpanne-låsetappene ved å vri 90°, deretter løft av dysen. (Se Fig. 3)

8. Løft ut transduseren og hell forsiktig, som vist, slik at væsken renner ut av bunnpannen. (Se Fig. 13)

9. Plasser en liten mengde med flytende oppvaskmiddel i bunnpannen, og ved å bruke den medfølgende børsten, rengjør alle overflater forsiktig og gjør det samme med transduseren, inkludert metallplatene lokalisert i den øvre riflede overflaten. (Se Fig. 14)

10. Etter rengjøringen, skyll bunnpannen nøye med rent vann for å fjerne alle spor etter oppvaskmiddelet.

11. Rengjør dysen med børsten og skyll den godt med vann. (Se Fig. 15)

12. Reverser de ovennevnte stegene for å montere.

Luffilter

1. Løft brenselssystemet forsiktig ut og plasser det på bakken.

2. Skyv luffilteret forsiktig oppover og ut av plasholderen. (Se Fig. 16)

3. Skyll det med vann i vasken og tørk med et mykt håndkle før du setter det på plass igjen.

4. Når du setter filteret på plass, sørg for at det grove, svarte filteret er vendt mot forsiden av ilden.

5. Sett tilbake brenselssystemet.

Ytterligere informasjon

ETTERKJØPSSERVICE

Produktet ditt innehar en garanti som varer ett år fra kjøpsdatoen. Innenfor denne perioden vil vi reparere eller skifte ut dette produktet kostnadsfritt (med unntak av lamper og avhengig av tilgjengelighet), gitt at det har blitt installert og brukt i henhold til disse instruksjonene. Rettighetene dine under denne garantien kommer i tillegg til dine lovbestemte rettigheter, som i sin tur ikke er påvirket av denne garantien.

Skulle du trenge etterkjøpsinformasjon eller hjelp med dette produktet, vennligst gå til www.dimplex.co.uk og velg 'Customer Support' eller ring vår kundestøtte på 0845 600 5111 (UK) eller 01 842 4833 (R. O. I.). Reservedeler er også tilgjengelig på nettsiden. Vennligst ta vare på kvitteringen din som kjøpsbevis.

GJENVINNING



For elektriske produkter solgt innenfor EU – mot slutten av de elektriske produktenes levetid bør de ikke avhendes sammen med husholdningsavfallet. Vennligst resirkuler der det finnes anlegg. Sjekk med dine lokale myndigheter eller forhandler for resirkuleringsråd i ditt land.

PATENT / PATENTSØKNAD

Produkter innen Optimyst-serien er beskyttet av én eller flere av de følgende patentene og patentsøknadene:

Storbritannia - GB 2402206, GB 2460259, GB 2460453, GB 2418014, GB 2465738, GB 2449925, GB 2465537, GB 2455277, GB 1020534.2, GB 1020537.5, GB 1110987.3

USA - US 7967690, US 2010299980, US 2011062250, US 2008028648, US 13/167, 042

Russland - RU2008140317

Europa - EP 2029941, EP 2201301, EP 2315976, EP 1787063, EP 07723217.1, EP 11170434.2, EP 11170435.9

Kina - CN 101883953, CN 200980128666.2, CN 101057105, CN 101438104

Australia - AU 2009248743, AU 2007224634

Canada - CA 2725214, CA 2579444, CA 2645939

Internasjonal patentsøknad - WO 2006027272

Sør-Afrika - ZA 200808702

Mexico - MX 2008011712

Korea - KR 20080113235

Japan - JP 2009529649

Brasil - BR P10708894-9

India - IN 4122/KOLNP/2008

New Zealand - NZ 571900

Feilsøking

Symptom	Årsak	Løsning
Flammeeffekten fungerer ikke.	<p>Strømforsyningen er ikke koblet til.</p> <p>Lavt vannnivå.</p> <p>Lavspenningskontakten er ikke korrekt tilkoblet. (Se Fig. 5)</p> <p>Transduserenheten er ikke ordentlig plassert i bunnpannen.</p>	<p>Kontroller at pluggen er korrekt tilkoblet stikkkontakten.</p> <p>Kontroller at vanntanken er full og at det er vann i bunnpannen.</p> <p>Kontroller at kontakten er korrekt satt inn. (Se Fig. 5)</p> <p>Sørg for at transduseren er plassert i den formstøpte fordypningen i bunnpannen.</p>
Flammeeffekten er for lav.	<p>Flammeeffekt-kontrollknappen er satt til et for lavt nivå. (Se Fig. 10)</p> <p>Metallplatene i transduseren kan være skitne. (Se Fig. 14)</p> <p>Ledningen til transduserenheten er over metallplaten.</p>	<p>Øk flammenivået ved å vri kontrollknapp 'C' langsomt mot venstre. (Se Fig. 10)</p> <p>Rengjør metallplaten med den medfølgende myke børsten. (Se Fig. 14) Se 'Vedlikehold' for steg for steg-beskrivelse.</p> <p>Plasser ledningen på baksiden av bunnpannen og sørg for at den ligger i sidesporet til bunnpannen.</p>
Ubehagelig lukt når enheten brukes.	<p>Skittent eller bedervet vann.</p> <p>Ved bruk av ufiltrert vann.</p>	<p>Rengjør enheten som beskrevet under vedlikehold.</p> <p>Bruk kun filtrert springvann.</p>
Flammeeffekten har for mye røyk.	<p>Flammeeffekten er satt for høy.</p>	<p>Skru ned flammeeffekten ved å vri kontrollknapp 'C' til høyre, omtrent ¼ om gangen. Tillat flammegeneratoren litt tid til å tilpasse seg den nye innstillingen. (Se Fig. 10)</p>
Hovedlamper fungerer ikke og det er ingen flammer eller røyk.	<p>Det er ikke noe vann i vanntanken.</p>	<p>Følg instruksjonene under Vedlikehold, 'Fyll vanntanken'.</p> <p>Kontroller at pluggen er tilkoblet stikkkontakten på korrekt vis og at bryter 'A' (Fig. 10) er satt til 'ON' (I)-posisjonen.</p>

Inledning

Tack för att du valde denna elektriska braskamin från Dimplex. Läs denna bruksanvisning noggrant för att kunna installera, använda och underhålla produkten på ett säkert sätt.

Viktiga säkerhetsanvisningar

När man använder elektriska apparater ska man alltid följa grundläggande försiktighetsåtgärder för att minska risken för eldsvåda, elektriska stötar och/eller personsador, däribland följande:

1. VARNING

Placera inte material eller kläder på, eller hindra luftcirkulationen runtom apparaten.

Denna apparat är försedd med en varningsdekal ÖVERTÄCK EJ.



2. SKADA

Om apparaten är skadad ska du kontakta leverantören innan du installerar och använder apparaten.

Om nätsladden är skadad måste den bytas ut av tillverkaren, servicerepresentant eller av person med liknande behörighet för att förhindra fara.

3. PLACERING

Använd inte apparaten utomhus.

Använd inte i den omedelbara närheten av badkar, dusch eller swimmingpool.

Placera inte braskaminen omedelbart under ett fast vägguttag eller kopplingsdosa.

Se till att möbler, gardiner eller annat brännbart material placeras minst 1 meter bort från apparaten.

4. PLACERING AV STICKPROPP

Apparaten måste monteras så att man enkelt kan komma åt stickkontakten.

Håll sladden borta från apparatens framsida.

5. FRÄNKOPPLING

I händelse av ett fel ska du koppla ur apparaten.

Koppla ur apparaten i fall den inte behövs under längre perioder.

6. ÄGARE/ANVÄNDARE

Denna apparat är inte avsedd att användas av barn eller personer med nedsatt fysisk eller mental förmåga, eller brist på erfarenhet och kunskap, om de inte övervakas eller får instruktioner angående användning av apparaten av en person som ansvarar för deras säkerhet. Barn ska hållas under uppsikt för att garantera att apparaten inte används som leksak.

7. ELEKTRICITET

VARNING – DENNA APPARAT MÅSTE VARA JORDAD.

Denna apparat måste försörjas uteslutande med nätström leverera endast och spänningen som anges på apparaten måste överensstämja med nätspänningen.

Innan du sätter på apparaten ska du läsa säkerhetsanvisningarna samt bruksanvisningen.

VARNING - För att undvika överhettning ska man ej övertäcka apparaten.

Allmän information

Använd endast filtrerat vatten i denna apparat.

Denna modell har utformats för att användas fristående och ska normalt placeras nära en vägg.

Se till att apparaten alltid står på ett plant underlag.

Observera: Om apparaten används i en miljö där bakgrundsbruset är mycket låg, kan det vara möjligt att höra ett ljud som är relaterad till driften av eldlågans flammeffekt. Detta är normalt och bör inte vara en anledning till oro.

Om denna produkt utsätts för en strömtopp av någon anledning kan produkten stänga av sig själv. Detta är en normal säkerhetsåtgärd och produkten kommer att återuppta drift efter 30 sekunder.

När apparaten har installerats, ska man aldrig flytta denna apparat eller lägga den på rygg, utan att först tömma vattnet från sumpen och vattenbehållaren.

Om du inte tänker använda apparaten i mer än 2 veckor, ska du tappa vattnet från sumpen och vattenbehållaren och torka sumpen.

Vattenbehållare, sump, sump lock, behållarlock och luftfiltren måste rengöras varannan vecka, särskilt i områden med hårt vatten.

Apparaten får aldrig användas om lamporna inte fungerar.

Lamporna bör regelbundet inspekteras enligt beskrivningen i "Underhåll" och "Byte av lampor".

Installationsinstruktioner

Detta avsnitt beskriver hur du installerar din braskamin.

INNAN DU BÖRJAR

1. Se till att alla emballaget tas bort (läs alla varningsetiketter noggrant) och behåll allt förpackningsmaterial för eventuellt framtida bruk, t.ex. i händelse av flytt eller om du måste returnera apparaten till din återförsäljare.
2. Innan du ansluter apparaten till elnätet ska du kontrollera att matningsspänningen överensstämmer med märkspänningen som anges på apparaten.

INSTALLATION

Placera apparaten mot en vägg.

Anslutning av omvandlarenheten + lampor

1. Lösgör de två röda flikarna genom att vrida dem 90 grader. (se Fig. 2)
2. Lyft ur sumpmunstycket. (Fig. 3)
3. Sätt lamporna i lamphållare (Fig. 4), genom att försiktigt placera stiften i hålen. (Fig. 4a)
4. Tryck lamporna ordentligt på plats.
5. Placera omvandlarenheten i sumpen och anslut kabeln till kontakten på sumpen. (Fig. 5)
6. För att säkerställa att omvandlarenheten är rätt placerat i sumpen, bör fliken på omvandlarenheten passa in i det formgjutna urtaget i sumpen. (Fig. 5a)
7. Se till att kabeln inte är placerad ovanför skivan på omvandlarenheten (Fig. 5b). För att förhindra att kabeln blir klämd mellan munstycket och sumpen, ska kabeln placeras i skåran i väggen av sumpen.
8. Byt ut sumpmunstycket och fixera den genom att vrida de två röda flikarna med 90 grader. (Fig. 6)

Att fylla på vattenbehållaren

9. Placera vattenbehållaren i diskhon och ta bort locket (vrid motsols för att öppna). (Fig. 7)
10. Fyll vattenbehållaren med **enbart filtererat kranvatten**. Detta är nödvändigt för att förlänga livslängden på enheten som producerar eld- och rök-effekten. Vattnet ska filtreras genom en konventionell filterenhet för vanligt kranvatten och filtret bör bytas med jämna mellanrum. Destillerat vatten får **inte** användas.
11. Skruva på locket igen - **dra inte åt för hårt**.
12. Placera vattenbehållaren i sumpen, med locket nedåt och den platta sidan av behållaren vänd utåt. (Fig. 8)

Montering av braskaminen

13. Placera bränslebädden ovanpå vattenbehållaren och dimmunstycket. (Fig. 9)

Anslut strömkabeln till rätt strömkontakt på baksidan av apparaten och anslut strömkabeln till ett 13A/240V uttag. Apparaten är nu klar för användning.

Användning av braskaminen



I det här avsnittet beskrivs hur du aktiverar din brasa antingen med de manuella reglagen eller med fjärrkontrollen.

MANUELLA REGLAGEN

De manuella reglagen finns under den gångjärnsförsedda luckan.
(Se Fig. 10 för utformningen av de manuella reglagen)

Omkopplare "A": Styr strömförsörjningen till brasan.

Obs: Denna omkopplare skall vara i läge "ON" (I) för att brasan ska kunna fungera.

Omkopplare "B": Tryck  en gång för att slå på flammeffekten. Detta kommer att indikeras med en ljudsignal. Även om de huvudlamporna fungerar genast kommer det att ta ytterligare 30 sekunder innan flammeffekten startar. Tryck  för att sätta brasan i standbyläge. Detta kommer att indikeras med ett pipljud.

Styrknapp "C": Styr intensiteten av lågans effekt.

Om du vrider knappen åt vänster ökar lågans effekt och om du vrider knappen till höger kommer lågans effekt att minska.

HUR MAN UPPNÅR ÖNSKAD FLAMMEFFEKT

1. Flammstyrknappen "C" (Fig. 10) kan vridas upp eller ner för att ge en mer realistisk effekt.
2. Generellt så verkar lågorna mer realistiskt när styrknappen vrids ner.
3. Ge flammgeneratorn tid att hinna reagera på eventuella ändringar.
4. Apparaten kommer att använda mindre vatten om flammeffekten är inställd på en lägre nivå (styrknapp "C").
5. Luta inte apparaten eller flytta på den när det finns vatten i behållaren eller sumpen.
6. Se till att apparaten står på ett plant underlag.

FJÄRRSTYRNINGSFUNKTION

På kontrollpanelen måste omkopplaren A (se Fig. 10) vara i läge "ON" (I) för att fjärrkontrollen ska fungera. Det finns 3 knappar på fjärrkontrollen. (Se Fig. 12) För att fungera korrekt måste fjärrkontrollen riktas mot den främre delen av gallret. (Se Fig. 17). Fjärrkontrollens funktioner är följande:

- I Tryck en gång för att sätta på flammeffekten. Detta kommer att indikeras med ett pipjud.

-  Viloläge
Detta kommer att indikeras med ett pipjud.

Underhåll

ALLMÄNNA TIPS

Använd endast filtrerat kranvatten i denna apparat.

Se till att apparaten alltid står på ett plant underlag.

Om du inte tänker använda apparaten i mer än 2 veckor, ska du ta bort och tömma sumpen och vattenbehållaren.

När apparaten har installerats, ska man aldrig flytta denna apparat eller lägga den på rygg, utan att först tömma vattnet från sumpen och vattenbehållaren.

Apparaten får aldrig användas om lamporna inte fungerar.

Lamporna bör regelbundet inspekteras enligt beskrivningen i "Byte av lampor".

ATT FYLLA PÅ VATTENBEHÅLLAREN

När vattenbehållaren är tom stängs eld- och rökeffekten av och du kommer att höra 2 ljudsignaler, och du måste följa dessa steg.

1. Ställ omkopplaren "A" till (0). (Se Fig. 10)
2. Lyft försiktigt ut bränslebädden och ställ försiktigt åt sidan.
3. Ta bort vattenbehållaren genom att lyfta uppåt och utåt.
4. Placera vattenbehållaren i diskhon och ta bort locket, vrid motsols för att öppna. (Fig. 7)
5. Fyll behållaren med **enbart filtrerat kranvatten**. Detta är nödvändigt för att förlänga livslängden på enheten som producerar eld- och rök-effekten. Vattnet ska filtreras genom en konventionell filterenhet för vanligt kranvatten och filtret bör bytas med jämna mellanrum.
6. Skruva på locket igen, inte för hårt.
7. Placera vattenbehållaren tillbaka i sumpen, med locket nedåt och den platta sidan av behållaren vänd utåt. (Fig. 8)
8. Placera bränslebädden försiktigt tillbaka på sin plats. (Fig. 9)
9. Ställ omkopplaren "A" till "ON"-läge (I). (Se Fig. 10)

BYTE AV LAMPOR

Om eld- och rökeffekten verkar grå eller färglös kan det vara så att en eller flera lampor har gått sönder.

Du kan kontrollera avseende lampfel på följande sätt.

1. Lämna flammeffekten på och lyft ut bränslebädden och vattenbehållaren.
2. Det bör vara möjligt att titta på lamporna med munstycket på plats och observera vilka lampor eventuellt behöver bytas.
3. Ställ omkopplaren "A" till "OFF"-läge (0) och koppla bort elden från elnätet.
4. Låt apparaten vila i 20 minuter så att lamporna kan svalna innan du tar bort dem.
5. Avlägsna sumpen enligt beskrivningen i avsnittet Rengöring.
6. Ta bort den trasiga lampan, genom att försiktigt lyfta den vertikalt och frigöra lampstiften från lamphållaren. (Se Fig. 4 and 4a).
Byt ut mot en färgad lampa av modell Dimplex Optimyst, 12V, 45W, GU5.3 bas, 8° spridningsvinkel.
För försiktigt in de två stiften av den nya lampan i de två hålen av lamphållaren. Tryck stadigt på plats. (Se Fig. 4 and 4a).
7. Montera tillbaka sumpen, munstycke, vattenbehållare och bränslebädd.

RENGÖRING

Varning – Ställ alltid omkopplaren "A" till "OFF"-läge (0) (se Fig. 10) och koppla bort strömförsörjningen innan du rengör braskaminen.

Vi rekommenderar rengöring av följande komponenter en gång varannan vecka, särskilt i områden med hårt vatten: Vattenbehållare, sump, munstycke, behållarlock och tätningssring, luftfilter.

För allmän rengöring använder du en mjuk ren dammtrasa - använd aldrig slipande rengöringsmedel.

För att avlägsna ansamling av damm eller ludd bör man använda en mjuk borste som t.ex. ett dammsugarmunstycke med borste.

Vattenbehållare

1. Lyft ur vattenbehållaren, som beskrivits tidigare, placera i diskhon och töm på vatten.
2. Använd den medföljande borsten och gnugga försiktigt på lockets insida och ta särskild hänsyn till gummiringen i det yttre spåret och gummitätningen i mitten.
3. Tillsätt en liten mängd diskmedel i behållaren, sätt tillbaka locket och skaka väl, skölj ur tills alla spår av diskmedel är borta.
4. Fyll på med enbart filtrerat kranvatten och sätt tillbaka locket, dra inte åt för hårt.

Sump

1. Tryck på omkopplaren "A" till "OFF"-läge (0).
2. Lyft försiktigt ut bränslebädden och ställ den försiktigt på golvet.
3. Ta bort vattenbehållaren genom att lyfta den uppåt.
4. Koppla ur den elektriska kontakten som sitter på höger sida av sumpen. (Se Fig. 5).
5. Frigör spärrflikarna på höger sidan av sumpen genom att vrida i 90 grader. Detta gör att sumpen kan lyftas från sin plats.
6. Lyft försiktigt upp sumpen, var noga med att hålla den vågrätt för att inte spilla vatten. Placera enheten i diskhon.
7. Frigör spärrhakarna på vänster sida av sumpen genom att vrida 90 grader och lyft sedan bort munstycket. (Se Fig. 3)
8. Lyft ut omvandlaren och luta försiktigt, enligt illustrationen, så att vätskan rinner ut ur sumpen. (Se Fig. 13)
9. Tillsätt lite diskmedel i sumpen och använd medföljande borste för att försiktigt rengöra alla ytor i sumpen och rengör även omvandlaren försiktigt, inklusive metallskivorna som finns i den räfflade ytan på ovansidan. (Se Fig. 14)
10. Efter rengöringen sköljer du sumpen med rent vatten för att avlägsna alla spår av diskmedel.
11. Rengör munstycket med borsten och skölj ordentligt med vatten. (Se Fig. 15)
12. Omvänd stegen ovan för att montera ihop enheten igen.

Luftfilter

1. Lyft försiktigt ut bränslebädden och ställ den försiktigt på golvet.
2. Skjut försiktigt luftfiltret uppåt ur sin plasthållare. (Se Fig. 16)
3. Skölj försiktigt med vatten i diskhon och torka med luddfri trasa innan filtret återmonteras.
4. Montera tillbaka filtret och se till att det grova svarta filtret är vänt mot brasan.
5. Sätt tillbaka bränslebädden.

Ytterligare information

UPPFÖLJANDE SERVICE

Produktgarantin gäller i ett år efter inköpsdatum. Inom denna period åtar vi oss att reparera eller byta ut produkten utan kostnad (exklusive lampor och i mån av tillgång) under förutsättning att den har installerats och används i enlighet med dessa instruktioner. Dina rättigheter enligt denna garanti gäller utöver dina lagstadgade rättigheter, som i sin tur inte påverkas av denna garanti.

Om du behöver information efter köp av produkten eller hjälp med denna produkt gå till www.dimplex.co.uk och välj "Kundtjänst" eller ring vår helpdesk på 0845 600 5111 (UK) eller 01 842 4833 (R. O. I.). Det är också möjligt att beställa reservdelar på webbplatsen. Behåll ditt kvitto som inköpsbevis.

ÅTERVINNING



För elektriska produkter som säljs inom den Europeiska Gemenskapen - Elektriska produkter får inte kastas tillsammans med hushållsavfall. Använd återvinningscentraler enligt gällande lagstiftning. Rådfråga med kommunen eller återförsäljare om gällande riktlinjer avseende återvinning.

PATENT / PATENTANSÖKAN

Produkter inom Optimyst-serien skyddas av ett eller flera av följande patent och patentansökningar:

Storbritannien GB 2402206, GB 2460259, GB 2460453, GB 2418014, GB 2465738, GB 2449925, GB 2465537, GB 2455277, GB 1020534.2, GB 1020537.5, GB 1110987.3

USA US 7967690, US 2010299980, US 2011062250, US 2008028648, US 13/167, 042

Ryssland RU 2008140317

Europa EP 2029941, EP 2201301, EP 2315976, EP 1787063, EP 07723217.1, EP 11170434.2, EP 11170435.9

Kina CN 101883953, CN 200980128666.2, CN 101057105, CN 101438104

Australien AU 2009248743, AU 2007224634

Kanada CA 2725214, CA 2579444, CA 2645939

Internationell patentansökan WO 2006027272

Sydafrika ZA 200808702

Mexiko MX 2008011712

Sydkorea KR 20080113235

Japan JP 2009529649

Brasilien BR P10708894-9

Indien IN 4122/KOLNP/2008

Nya Zeeland NZ 571900

Felsökning

Symptom	Orsak	Korrigerande åtgärd
Flammeffekten startar inte.	Stickkontakten är inte isatt. Låg vattennivå. Lågspänningskontakt inte ansluten ordentligt. (Se Fig. 5) Omvandlarenheten är inte placerad på rätt sätt i sumpen.	Kontrollera att stickproppen sitter ordentligt i vägguttaget. Kontrollera att vattenbehållaren är full och att det finns vatten i sumpen. Kontrollera att kontakten har förts in på rätt sätt. (Se Fig. 5) Se till att omvandlaren sitter ordentligt i det formgjutna urtaget i sumpen.
Flammeffekten är för låg.	Styrknappen till flammeffekten står för lågt. (Se Fig. 10) Metallskivan i omvandlaren kan vara smutsig. (Se Fig. 14) Tråden från omvandlarenheten ligger över metallskivan.	Öka flammnivån genom att vrida styrknappen "C" sakta åt vänster. (Se Fig. 10) Rengör metallskiva med mjuk borste (medföljer). (Se Fig. 14) Se "Underhåll" för en steg för steg beskrivning. Ordna kabeln på baksidan av sumpen och kontrollera att den sitter i sidospåret som leder bort från sumpen.
Obehaglig lukt när enheten används.	Smutsigt eller unket vatten. Ofiltrerat kranvatten har använts.	Rengör enheten enligt beskrivningen i avsnittet Underhåll. Använd endast filtrerat kranvatten.
Flammeffekten har för mycket rök.	Inställning för flammeffekten är för hög.	Vrid styrknappen "C" för flammeffekten åt höger, ca ¼ varv åt gången. Ge flammgeneratorn lite tid att anpassa sig till den nya inställningen. (Se Fig. 10)
Huvudlamporna fungerar inte och det finns inga lågor eller rök.	Det finns inget vatten i behållaren.	Följ anvisningarna enligt Underhåll , "Påfyllning av vattenbehållare". Kontrollera att kontakten är ansluten till vägguttaget på rätt sätt och att omkopplaren "A" (Fig. 10) är i "ON"-läge (I).

Johdanto

Kiitos, että olet valinnut Dimplex-sähkötulen. Lue tämä opas huolellisesti, jotta osaisit asentaa, käyttää ja huoltaa tuotettasi oikein.

Tärkeät turvallisuusohjeet

Sähkölaitteita käytettäessä on aina noudatettava perusturvallisuutta, jotta tulipalon, sähköiskun ja henkilövahinkojen riski olisi mahdollisimman pieni. Perusturvallisuuteen kuuluu:

1. VAROITUS

Älä aseta laitteen päälle kangasta tai peitettä äläkä estä ilman kiertoa laitteen ympärillä.

Tässä laitteessa on varoitus ÄLÄ PEITÄ.



2. VAURIOT

Jos laite on vaurioitunut, ota yhteyttä jälleenmyyjään ennen laitteen asennusta ja käyttöä.

Jos laitteen virtajohto on vaurioitunut, se on vaihdettava uuteen. Tämän voi suorittaa laitteen valmista tai huoltoedustaja tai muu vastaavasti ammattitaitoinen henkilö. Näin vältetään sähköiskun vaaralta.

3. LAITTEEN SIOITTAMINEN

Älä käytä ulkotiloissa.

Älä käytä kylvyn, suihkun tai uima-altaan välittömässä läheisyydessä.

Älä aseta laitetta kiinteän pistorasian tai jakorasian alapuolelle.

Varmista, ettei huonekaluja, verhoja tai muita palavia materiaaleja ole 1 metriä lähempänä laitetta.

4. LAITTEEN SIOITTAMINEN PISTOKKEeseen NÄHDEN

Laite on sijoitettava niin, että pistokkeelle on esteetön pääsy.

Pidä virtajohto poissa laitteen edestä.

5. PISTOKKEEN IRROTTAMINEN

Häiriön sattuessa irrota pistoke.

Irrota pistoke myös, jos laite on kauan käyttämättä.

6. KÄYTTÄJÄ/OMISTAJA

Tämä laite ei ole tarkoitettu lasten tai sellaisten henkilöiden käytettäväksi, joilla on fyysisiä, henkisiä tai aistirajoitteita tai joilla ei ole kokemusta tai tietoa laitteesta, elleivät he ole valvonnassa tai ellei heidän turvallisuudestaan vastaava henkilö ole opastanut heitä laitteen käyttöön. Lapsia tulee valvoa, jotta he eivät leiki laitteella.

7. SÄHKÖ

VAROITUS - TÄMÄ LAITE ON MAADOITETTAVA.

Tämä laite voidaan kytkeä vain tasavirtalähteeseen ja verkkovirran jännitteen on vastattava laitteeseen merkittyä jännitettä.

Ennen virran kytkemistä, lue laitteen turvallisuus- ja käyttöohjeet.

VAROITUS - Älä peitä laitetta ylikuumenemisen välttämiseksi.

Yleiset tiedot

Käytä laitteessa vain suodatettua vettä.

Tämä malli on suunniteltu asetettavaksi seinän läheisyyteen ilman tukea.

Varmista aina, että laite on asetettu tasaiselle alustalle.

Huomaathan: Jos laitetta käytetään tilassa, jossa taustamelu on erittäin vähäistä, voi siitä mahdollisesti kuulua liekkiefektin aiheuttamaa ääntä. Tämä on normaalia eikä siitä tarvitse huolestua.

Laite voi sammua, jos siihen kohdistuu virtapiikki. Tämä on normaali turvallisuustoimenpide ja tuote alkaa käydä uudelleen 30 sekunnin kuluttua.

Kun laite on asennettu, älä koskaan siirrä tai kaada sitä tyhjentämättä vesisäiliötä ja -kaukaloa.

Jos laitetta ei aiota käyttää yli 2 viikkoon, kaada vesi pois kaukalosta ja säiliöstä ja kuivaa kaukalo.

Vesisäiliö, kaukalo, kaukalon kansi, säiliön korkki ja ilmasuodattimet on puhdistettava kahden viikon välein, varsinkin alueilla, joissa vesi on erittäin kalkkipitoista.

Laitetta ei saa käyttää, jos lamput eivät toimi.

Lamput on tarkistettava säännöllisesti kohdissa 'Huolto' ja 'Lamppujen vaihto' mainitulla tavalla.

Asennusohjeet

Tässä osassa kuvataan laitteen kokoaminen.

ENNEN KOKOAMISTA

1. Varmista, että kaikki pakkausmateriaalit on poistettu (lue kaikki varoitustekstit huolellisesti) ja säästä kaikki pakkausmateriaalit myöhempää käyttöä, esim. muuttoa tai laitteen palauttamista varten.
2. Ennen laitteen kytkemistä verkkovirtaan varmista, että verkkovirran jännite vastaa laitteeseen merkittyä jännitettä.

ASENTAMINEN

Aseta laite seinää vasten.

Muuntajan ja lamppujen kytkeminen

1. Vapauta punaiset kaksi painiketta kääntämällä niitä 90 astetta. (ks. kuva 2)
2. Nosta kaukalon säteilyrako ulos. (kuva 3)
3. Kiinnitä lamput lamppupidikkeisiin (kuva 4), aseta piikit varovasti reikiin. (kuva 4a)
4. Työnnä lamput tiiviisti paikoilleen.
5. Aseta muuntaja kaukaloon ja kytke johto kaukalon liittimeen. (kuva 5)
6. Varmista, että muuntaja on asetettu kaukaloon oikein. Muuntajan kohouman tulisi olla linjassa kaukalon syvennyksen kanssa. (kuva 5a)
7. Varmista, ettei johto ole muuntajan levyn alla (kuva 5b). Estääksesi johdon puristumisen säteilyraon ja kaukalon väliin, aseta johto kaukalon seinämän rakoon.
8. Aseta kaukalon säteilyrako takaisin kiertämällä kahta punaista painiketta 90 astetta. (kuva 6)

Vesisäiliön täyttäminen

9. Aseta vesisäiliö tiskialtaaseen ja poista korkki (avaa kiertämällä vastapäivään). (kuva 7)
10. Täytä vesisäiliö **vain suodatetulla hanavedellä**. Tämä on välttämätöntä liekki- ja savuefektien käyttöiän pidentämiseksi. Vesi on suodatettava tavallisella kotikäyttöisellä suodattimella, joka vaihdetaan säännöllisesti. Laitteessa **ei saa** käyttää tislattua vettä.
11. Kierrä korkki takaisin paikoilleen – **älä kiristä liikaa**.
12. Aseta vesisäiliö kaukaloon säiliön korkki alaspäin ja säiliön tasainen puoli ulospäin. (kuva 8)

Keinotulen kokoaminen

13. Aseta tulipesä vesisäiliön ja höyrysuuttimen päälle. (kuva 9)

Kytke virtajohto asianmukaiseen virtakytkimeen laitteen takana ja kytke virtajohto 13 A/240 V virtalähteeseen. Laite on nyt valmis käytettäväksi.

Keinotulen käyttö

Tässä osassa kerrotaan, kuinka laitetta käytetään kaukosäätimen tai manuaalisten ohjaimien avulla.


MANUAALISET OHJAIMET

Manuaaliset ohjaimet sijaitsevat kääntyvän kannen alla.
(ks. kuva 10, manuaaliset ohjaimet)

Kytkin A: Ohjaa virran syöttöä keinotuleen.

Huomaa: Tämän kytkimen on oltava ON-asennossa (I) laitetta käytettäessä.

Kytkin B: Käynnistä liekkiefekti painamalla kerran . Samalla kuuluu piippaus. Vaikka valot syttyvät heti, liekkiefektin käynnistyminen kestää noin 30 sekuntia.

Aseta keinotuli valmiustilaan painamalla . Samalla kuuluu yksi piippaus.

Säätöohjain C: Ohjaa liekkiefektin voimakkuutta.

Liekkiefekti voimistuu käännettäessä säädintä vasemmalle ja heikkenee käännettäessä ohjainta oikealle.

HALUTUN LIEKKIEFEKTIN SAAVUTTAMINEN

1. Liekin säätöohjainta C (kuva 10) voidaan kääntää ylös tai alas aidomman efektin aikaansaamiseksi.
2. Yleensä liekkiefekti on aidoimmillaan, kun liekkiohjain on käännetty alas.
3. Anna liekkiohjaimelle tarpeeksi aikaa reagoida tekemiisi säätöihin.
4. Laite käyttää vähemmän vettä, jos liekkiefekti on säädetty alhaiselle tasolle (säätöohjain C).
5. Älä kallista tai siirrä laitetta, kun säiliössä tai kaukalossa on vettä.
6. Varmista, että laite on tasaisella lattialla.

KAUKO-OHJAIMEN KÄYTTÖ

Ohjauspaneelin kytkimen A (ks. kuva 10) on oltava ON-asennossa (I) kauko-ohjainta käytettäessä.

Kauko-ohjaimessa on 3 painiketta. (ks. kuva 12) Jotta kauko-ohjain toimisi oikein, sillä on osoitettava kotelon keskiosaa kohti. (ks. kuva 17). Kauko-ohjaimessa on seuraavat toiminnot:

- I Käynnistä liekkiefekti painamalla kerran.
Samalla kuuluu yksi piippaus.



- Valmiustila
Samalla kuuluu yksi piippaus.

Hoito

YLEISIÄ NEUVOJA

Käytä laitteessa vain suodatettua hanavettä.

Varmista aina, että laite on asetettu tasaiselle alustalle.

Jos laitetta ei aiota käyttää yli 2 viikkoon, kaada vesi pois kaukalosta ja säiliöstä.

Kun laite on asennettu, älä koskaan siirrä tai kaada sitä tyhjentämättä vesisäiliötä ja -kaukaloa.

Laitetta ei saa käyttää, jos lamput eivät toimi.

Lamput on tarkistettava säännöllisesti kohdassa 'Lamppujen vaihto' mainitulla tavalla.

VESISÄILIÖN TÄYTTÄMINEN

Kun vesisäiliö on tyhjä, liekki- ja savuefektit sammuvat ja kuuluu kaksi piippausta. Seuraa seuraavia ohjeita:

1. Käännä kytkin A asentoon (0). (ks. kuva 10)
2. Nosta tulipesä varovasti pois ja aseta sivuun.
3. Poista vesisäiliö nostamalla sitä ylös- ja ulospäin.
4. Aseta vesisäiliö tiskialtaaseen ja poista korkki (avaa kiertämällä vastapäivään). (kuva 7)
5. Täytä vesisäiliö **vain suodatetulla hanavedellä**. Tämä on välttämätöntä liekki- ja savuefektien käyttöänsä pidentämiseksi.

Vesi on suodatettava tavallisella kotikäyttöisellä suodattimella, joka vaihdetaan säännöllisesti.

6. Kierrä korkki takaisin paikoilleen, älä kiristä liikaa.

7. Aseta vesisäiliö takaisin kaukaloa säiliön korkki alaspäin ja säiliön tasainen puoli ulospäin. (kuva 8)

8. Aseta tulipesä varovasti takaisin paikoilleen. (kuva 9)

9. Käännä kytkin A asentoon ON (I). (ks. kuva 10)

LAMPPUJEN VAIHTAMINEN

Jos liekki- tai savuefekti on harmaa ja värityn, yksi tai useampi lamppu on voinut palaa.

Lamppujen toiminnan voi tarkistaa seuraavasti.

1. Nosta tulipesä ja vesisäiliö pois sammuttamatta liekkiefektiä.
2. Lamput pitäisi pystyä näkemään säteilyraon ollessa paikallaan ja näin selvittää, mikä niistä on vaihdettava.
3. Käännä kytkin A asentoon OFF (0) ja irrota laite verkkovirrasta.
4. Anna lamppujen jäähtyä 20 minuuttia ennen niiden vaihtamista.
5. Poista kaukalo kohdassa Puhdistus mainitulla tavalla.
6. Poista vaurioitunut lamppu nostamalla lamppua varovasti ylös ja irrottamalla piikit lampun pidikkeestä. (ks. kuvat 4 ja 4a).

Vaihda lamppuun Dimplex Optimyst, 12V, 45W, kanta Gu5.3, 8° sädekulma, värillinen.

7. Aseta uuden lampun kaksi piikkiä varovasti lampun pidikkeen kahteen reikään. Työnnä lamppu tiiviisti paikoilleen. (ks. kuvat 4 ja 4a).

8. Aseta kaukalo, säteilyrako, vesisäiliö ja tulipesä takaisin paikoilleen.

PUHDISTUS

Varoitus – Käännä kytkin A aina asentoon OFF (0) (ks. kuva 10) ja irrota laite aina virtalähteestä ennen puhdistusta.

Suosittellemme seuraavien osien puhdistusta 2 viikon välein, erityisesti hyvin kalkkipitoisilla vesialueilla:

Vesisäiliö, kaukalo, säteilyrako, säiliön korkki ja tiiviste, ilmansuodatin.

Käytä puhdistukseen pehmeää ja puhdasta liinaa - älä käytä koskaan hankaavia pesuaineita.

Poista kertynyt pöly tai nukka pölynimurin pehmeällä harjasuuttimella silloin tällöin.

Vesisäiliö

1. Poista vesisäiliö edellä mainitulla tavalla, vie tiskialtaaseen ja tyhjennä.
2. Harjaa korkki sisäpuolelta laitteen mukana toimitetulla harjalla, puhdista erityisen huolellisesti ulomman uran kumirengas ja keskimäinen kumitiiviste.
3. Kaada säiliöön pieni määrä astianpesuainetta, kierrä korkki takaisin paikoilleen ja ravista hyvin, huuhtelee, kunnes kaikki astianpesuainejäämät on poistettu.
4. Täytä säiliö uudestaan vain suodatetulla hanavedellä, kierrä korkki takaisin paikoilleen, mutta älä kiristä liikaa.

Kaukalo

1. Käännä kytkin A asentoon OFF (0).
2. Nosta tulipesä varovasti pois ja aseta sivuun.
3. Poista vesisäiliö nostamalla sitä ylöspäin.
4. Irrota kaukalon oikealla puolella oleva sähköliitin. (ks. kuva 5).
5. Vapauta oikea kaukalo kiertämällä lukituspainikkeita 90 astetta. Näin kaukalo voidaan poistaa kokonaan paikoiltaan.
6. Nosta kaukalo varovasti ja varo läikyttämästä vettä. Vie kaukalo tiskialtaaseen.
7. Vapauta vasemman kaukalon lukituspainikkeet kääntämällä niitä 90 astetta ja nosta säteilyrako pois. (ks. kuva 3)
8. Nosta muuntaja pois ja kallista varovasti kuten kuvassa, jotta vesi valuu ulos kaukalosta. (ks. kuva 13)
9. Kaada kaukaloon pieni määrä tiskiainetta ja puhdista laitteen mukana toimitetulla harjalla varovasti kaikki kaukalon pinnat ja muuntaja, mukaan lukien uritetun yläpinnan metallilevyt. (ks. kuva 14)
10. Kun kaukalo on puhdistettu, se on huuhteltava huolella tiskiainejäämien poistamiseksi.
11. Puhdista säteilyrako harjalla ja huuhtelee runsaalla vedellä. (ks. kuva 15)
12. Kokoa laite seuraamalla edellä mainittuja ohjeita lopusta alkuun.

Ilmasuodatin

1. Nosta tulipesä varovasti pois ja aseta sivuun.
2. Liu'uta ilmasuodatin varovasti ylöspäin ulos muovipidikkeestä. (ks. kuva 16)
3. Huuhtelee suodatin varovasti vedellä ja kuivaa kangaspyyhkeellä ennen asettamista takaisin.
4. Aseta suodatin takaisin varmistaen, että karkea musta suodatin on laitteen etupuolella.
5. Aseta tulipesä takaisin paikoilleen.

Lisätiedot

JÄLKIMYYNTIPALVELUT

Tuotteellasi on yhden vuoden takuu ostopäivästä lukien. Tänä aikana vastaamme tämän tuotteen korjauksesta tai vaihdosta veloituksetta (ei koske lampuja ja saatavuuden mukaan), mikäli tuote on asennettu ja sitä on käytetty näiden ohjeiden mukaisesti. Tämän takuun alaiset oikeudet ovat lisäetusi lakisäätöihin oikeuksiisi, joihin tämä takuu ei vaikuta.

Jos tarvitset jälkimyyntitietoja tai neuvoja tämän tuotteen käytössä, mene osoitteeseen www.dimplex.co.uk ja valitse Asiakaspalvelu tai soita neuvontapuhelimeemme 0845 600 5111 (UK) tai 01 842 4833 (Irlannin tasavalta). Verkkosivustolta saa myös varaosia. Säilytä kuitit todisteena ostosta.

KIERRÄTYS



Euroopan Yhteisön alueella myydyt sähkölaitteet - Käyttöikänsä loppuun tulleita sähkölaitteita ei saa hävittää kotitalousjätteen mukana. Kierrätä laitteet aina kun se on mahdollista. Tarkista kierrätysmääräykset paikallisviranomaisilta tai jälleenmyyjältä.

PATENTTI / PATENTTIHAKEMUS

Optimyst-sarjan tuotteet on suojattu yhdellä tai usealla seuraavista patenteista tai patenttihakemuksista:

Iso-Britannia GB 2402206, GB 2460259, GB 2460453, GB 2418014, GB 2465738, GB 2449925, GB 2465537, GB 2455277, GB 1020534.2, GB 1020537.5, GB 1110987.3

Yhdysvallat US 7967690, US 2010299980, US 2011062250, US 2008028648, US 13/167, 042

Venäjä RU2008140317

Eurooppa EP 2029941, EP 2201301, EP 2315976, EP 1787063, EP 07723217.1, EP 11170434.2, EP 11170435.9

Kiina CN 101883953, CN 200980128666.2, CN 101057105, CN 101438104

Australia AU 2009248743, AU 2007224634

Kanada CA 2725214, CA 2579444, CA 2645939

Kansainvälinen patenttihakemus WO 2006027272

Etelä-Afrikka ZA 200808702

Meksiko MX 2008011712

Korea KR 20080113235

Japani JP 2009529649

Brasilia BR P10708894-9

Intia IN 4122/KOLNP/2008

Uusi-Seelanti NZ 571900

Vianmääritys

Vika	Syy	Toimenpide
Liekkiefekti ei käynnisty.	Laitetta ei ole kytketty verkkovirtaan. Vettä on vähän. Matalajänniteliitin ei ole kytketty oikein. (ks. kuva 5) Muuntaja ei ole paikallaan kaukalossa.	Tarkista, että pistoke on kytketty pistorasiaan oikein. Tarkista, että vesisäiliö on täynnä ja kaukalossa on vettä. Tarkista, että liitin on kytketty oikein. (ks. kuva 5) Varmista, että muuntaja on paikoillaan kaukalon syvennyksessä.
Liekkiefekti on liian matala.	Liekkiefektin säätöohjain on asetettu liian pienelle. (ks. kuva 10) Muuntajan metallilevy on likainen. (ks. kuva 14) Muuntajan johto kulkee metallilevyn päältä.	Suurena liekkiä kääntämällä säätöohjainta C hitaasti vasemmalle. (ks. kuva 10) Puhdista metallilevy laitteen mukana toimitetulla pehmeällä harjalla. (ks. kuva 14) Katso osasta Hoito yksityiskohtaiset ohjeet. Aseta johto kaukalon taakse ja varmista, että se kulkee kaukalon kyljen urassa.
Laitetta käytettäessä tulee epämiellyttävä haju.	Vesi on likaista. Vesi on suodattamatonta hanavettä.	Puhdista laite kohdassa Hoito kuvatulla tavalla. Käytä vain suodatettua hanavettä.
Liekkiefektissä on liikaa savua.	Liekkiefektin säätöohjain on asetettu liian suurelle.	Kierrä liekkiefektin säätöohjainta C oikealle noin ¼ kierrosta kerrallaan. Odota, että laite ehtii mukautua uusiin asetuksiin. (ks. kuva 10)
Lamput eivät toimi eikä laitteessa ole liekkejä tai savua.	Vesisäiliössä ei ole vettä.	Seuraa ohjeita kohdasta Hoito , Vesisäiliön täyttäminen. Tarkista, että pistoke on kytketty pistorasiaan oikein ja käännä kytkin A, kuva 10 asentoon ON (I).

Wstęp

Dziękujemy za wybranie kominka elektrycznego Dimplex. Należy dokładnie przeczytać niniejszy informator, aby bezpiecznie instalować, używać i konserwować produkt.

Ważne zalecenie bezpieczeństwa

Podczas używania urządzeń elektrycznych zawsze należy przestrzegać podstawowych środków bezpieczeństwa, aby ograniczyć ryzyko pożaru, porażenia elektrycznego oraz obrażeń osób. Są to:

1. OSTRZEŻENIE

Nie kłaść na urządzeniu materiałów i odzieży ani nie blokować cyrkulacji powietrza wokół urządzenia.

Na urządzeniu znajduje się ostrzeżenie NIE ZAKRYWAĆ.



2. USZKODZENIE

Jeśli urządzenie jest uszkodzone, należy je sprawdzić z dostawcą przed zainstalowaniem i uruchomieniem.

Jeśli uszkodzony jest przewód zasilający, musi go wymienić producent, przedstawiciel serwisowy lub podobnie wykwalifikowana osoba, aby uniknąć zagrożenia.

3. LOKALIZACJA

Nie wolno używać na zewnątrz.

Nie używać w bezpośrednim sąsiedztwie łazienek, pryszniców ani basenów.

Nie ustawiać kominka bezpośrednio pod zamocowanym gniazdkiem ani puszką połączeniową.

Upewnić się, że meble, zasłony i inne materiały palne są umieszczone nie bliżej niż 1 metr od urządzenia.

4. MIEJSCE WTYCZKI

Urządzenie musi być ustawione tak, aby wtyczka była dostępna.

Przewodu zasilającego nie wolno zbliżać do przedniej części urządzenia.

5. ODŁĄCZANIE

W razie usterki należy odłączyć urządzenie od sieci.

Urządzenie należy również odłączać od sieci, jeśli nie będzie używane przez długi czas.

6. WŁAŚCICIEL/UŻYTKOWNIK

Urządzenie nie jest przeznaczone do użytku przez dzieci lub osoby z ograniczoną funkcjonalnością fizyczną, sensoryczną i psychiczną, niemające doświadczenia i wiedzy, za wyjątkiem sytuacji, w których są nadzorowane lub zostały poinstruowane z zakresu sposobu użytkowania urządzenia przez osobę odpowiedzialną za ich bezpieczeństwo. Należy kontrolować dzieci, aby zapewnić, że nie bawią się urządzeniem.

7. ELEKTRYCZNOŚĆ

OSTRZEŻENIE - URZĄDZENIE MUSI BYĆ UZIEMIONE.

Urządzenie wolno podłączać tylko do sieci zasilania AC ~, a napięcie podane na urządzeniu musi być zgodne z napięciem zasilania.

Przed włączeniem należy przeczytać zalecenia bezpieczeństwa i instrukcje działania.

OSTRZEŻENIE - Aby uniknąć przegrzania, nie wolno zakrywać urządzenia.

Informacje ogólne

Do urządzenia należy stosować tylko filtrowaną wodę.

Ten model został skonstruowany do swobodnego ustawienia i z reguły jest ustawiany obok ściany.

Zawsze należy się upewnić, że urządzenie stoi na równej powierzchni.

Uwaga: Jeśli urządzenie jest używane w miejscu o bardzo niskim poziomie hałasu, mogą być słyszalne odgłosy będące wynikiem działania efektu płomienia. To zjawisko normalne i nie jest ono powodem do niepokoju.

Jeśli w urządzeniu dojdzie do przepięcia z jakiegokolwiek powodu, może się ono wyłączyć. Jest to typowa właściwość zabezpieczająca - produkt wznowi działanie po 30 sekundach.

Po zainstalowaniu nie wolno przesuwania urządzenia ani kłaść go na odwrocie bez uprzedniego usunięcia wody z osadnika i zbiornika.

Jeśli urządzenie nie będzie używane przez ponad 2 tygodnie, należy spuścić wodę z osadnika i zbiornika, a następnie wysuszyć osadnik.

Zbiornik wody, osadnik, pokrywę osadnika, przykrywkę zbiornika i filtry powietrza należy czyścić raz na dwa tygodnie, szczególnie tam, gdzie woda jest twarda.

Nigdy nie należy używać urządzenia, jeśli lampy nie działają.

Lampy powinny być kontrolowane regularnie, tak jak opisano w rozdziale „Konserwacja” i „Wymiana lamp”.

Instrukcje instalacji

W tym rozdziale opisano, w jaki sposób skonfigurować kominek.

PRZED URUCHOMIENIEM

1. Upewnić się, że wszystkie elementy opakowania zostały zdjęte (dokładnie przeczytać wszystkie naklejki ostrzegawcze) i zachować całe opakowanie do wykorzystania w przyszłości, np. w przypadku przeprowadzki lub zwrotu urządzenia do dostawcy.
2. Przed podłączeniem do prądu należy sprawdzić, czy napięcie zasilające jest takie samo jak podano na urządzeniu.

INSTALACJA

Ustawić urządzenie przy ścianie.

Podłączanie zespołu przetwornika i lamp

1. Odczepić dwa czerwone zaczepty, obracając je o 90 stopni. (patrz rys. 2)
2. Podnieść dyszę osadnika. (rys. 3)
3. Włożyć lampy w oprawki (rys. 4), ostrożnie wsuwając wtyki w otwory. (rys. 4a)
4. Wsunąć lampy mocno na swoje miejsce.
5. Ustawić zespół przetwornika w osadniku i podłączyć kabel do złącza na osadniku. (rys. 5)
6. Aby upewnić się, że zespół przetwornika jest prawidłowo umieszczony w osadniku, zaczepty na zespole przetwornika powinien być na równi z wyciętym zagłębieniem na osadniku. (rys. 5a)
7. Upewnić się, że kabel nie jest ułożony nad tarczą zespołu przetwornika (rys. 5b). Aby uniknąć zaciśnięcia się kabla między dyszą a osadnikiem, należy umieścić kabel w gnieździe na ściance osadnika.
8. Wymienić dyszę osadnika i zabezpieczyć ją, obracając dwa czerwone zaczepty o 90 stopni. (rys. 6)

Napełnianie zbiornika wody

9. Ustawić zbiornik wody w misie i zdjąć nasadkę (obrócić w kierunku przeciwnym do ruchu wskazówek zegara, aby otworzyć). (rys. 7)
10. Do zbiornika nalewać **tylko filtrowaną wodę kranową**. Jest to konieczne do przedłużenia żywotności zespołu generującego efekt płomienia i dymu. Woda powinna być filtrowana konwencjonalnym domowym filtrem wody, a filtr należy regularnie wymieniać. **Nie** wolno używać wody destylowanej.
11. Dokręcić nasadkę – **nie za mocno**.
12. Włożyć zbiornik wody do osadnika, nasadką skierowaną do dołu i płaską stroną zbiornika na zewnątrz. (rys. 8)

Montaż kominka

13. Ustawić koryto paliwa na zbiorniku wody i dyszy mgiełki. (rys. 9)

Podłączyć kabel zasilania do właściwego złącza z tyłu urządzenia, a następnie podłączyć kabel zasilania do gniazdka 13amp/240 voltów. Urządzenie jest gotowe do użycia.

Obsługa kominka


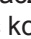
W tym rozdziale opisano, w jaki sposób załączyć kominek za pomocą przełączników ręcznych lub pilota.

PRZEŁĄCZNIKI RĘCZNE

Przełączniki ręczne znajdują się pod zawiasowym zaworem klapowym. (Schemat przełączników ręcznych znajduje się na rys. 10)

Przełącznik A: Steruje zasilaniem elektrycznym kominka.

Uwaga: Przełącznik musi znajdować się w pozycji „ON” (I), aby kominek mógł działać.

Przełącznik B: Nacisnąć raz , aby włączyć efekt płomienia. Zostanie to zasygnalizowane sygnałem dźwiękowym. Mimo że główne lampy zaczną działać od razu, efekt płomienia zacznie się po kolejnych 30 sekundach. Nacisnąć , aby ustawić kominek w tryb uśpienia. Zostanie to zasygnalizowane jednym sygnałem dźwiękowym.

Pokrętło sterowania C: Kontroluje intensywność efektu płomienia.

Obrócenie pokrętła sterowania w lewo zwiększa efekt płomienia, obrócenie pokrętła sterowania w prawo zmniejsza efekt płomienia.

UZYSKIWANIE ŻĄDANEGO EFEKTU PŁOMIENIA

1. Przełącznik sterowania płomienia C (rys. 10) można obracać w górę lub w dół, aby uzyskać bardziej realistyczny efekt.
2. Ogólnie płomień jest bardziej realistyczny, kiedy przełącznik płomienia jest przekręcony w dół.
3. Należy odczekać, aż generator płomienia zareaguje na wprowadzane zmiany.

4. Urządzenie będzie zużywać mniej wody, jeśli efekt płomienia zostanie ustawiony na niższym poziomie (pokrętko sterowania C).
5. Nie przechylać ani nie przesuwac urządzenia, jeśli w zbiorniku lub osadniku znajduje się woda.
6. Upewnić się, że urządzenie jest ustawione na równym podłożu.

OBSŁUGA PILOTEM

Na panelu sterowania, przełącznik A (patrz rys. 10) musi znajdować się w pozycji „ON” (I), aby pilot mógł działać. Na pilocie znajdują 3 przyciski. (patrz rys. 12) Aby właściwie obsługiwać pilota, musi być on nakierowany na przód paleniska. (patrz rys. 17). Pilot ma następujące funkcje:

- I Nacisnąć raz, aby włączyć efekt płomienia.
Zostanie to zasygnalizowane jednym sygnałem dźwiękowym.

-  Tryb uśpienia
Zostanie to zasygnalizowane jednym sygnałem dźwiękowym.

Konserwacja

PORADY OGÓLNE

Do urządzenia należy stosować tylko filtrowaną wodę kranową.

Zawsze należy się upewnić, że urządzenie stoi na równej powierzchni.

Jeśli urządzenie ma nie być używane przez ponad 2 tygodnie, należy zdjąć i opróżnić osadnik oraz zbiornik wody. Po zainstalowaniu nie wolno przesuwac urządzenia ani kłaść go na odwrocie bez uprzedniego usunięcia wody z osadnika i zbiornika.

Nigdy nie należy używać urządzenia, jeśli lampy nie działają.

Lampy powinny być kontrolowane regularnie, tak jak opisano w rozdziale „Wymiana lamp”.

NAPEŁNIANIE ZBIORNIKA WODY

Jeśli zbiornik wody jest pusty, efekt płomienia i dymu przestanie działać. Rozlegną się 2 sygnały dźwiękowe, należy wykonać poniższe kroki.

1. Przewrócić przełącznik A na (0). (patrz rys. 10)
2. Delikatnie wyjąć koryto paliwa i ostrożnie odłożyć na bok.
3. Wyjąć zbiornik wody, podnosząc go w górę i na zewnątrz.
4. Ustawić zbiornik wody w misie i zdjąć nasadkę (obrócić w kierunku przeciwnym do ruchu wskazówek zegara, aby otworzyć). (rys. 7)
5. Do zbiornika nalewać **tylko filtrowaną wodę kranową**. Jest to konieczne do przedłużenia żywotności zespołu generującego płomień i dym.
Woda powinna być filtrowana konwencjonalnym domowym filtrem wody, a filtr należy regularnie wymieniać.
6. Dokręcić nasadkę – nie za mocno.
7. Ponownie włożyć zbiornik wody do osadnika, nasadką skierowaną do dołu i płaską stroną zbiornika na zewnątrz. (rys. 8)
8. Delikatnie wstawić koryto paliwa ponownie na swoje miejsce. (rys. 9)
9. Nacisnąć przełącznik A do pozycji „ON” (I). (patrz rys. 10)

WYMIANA LAMP

Jeśli efekt płomienia i dymu ma kolor szary lub jest bezbarwny, może oznaczać to awarię którejś z lamp.

Usterkę lampy można sprawdzić w następujący sposób.

1. Przy włączonym efekcie płomienia wyjąć koryto paliwa i zbiornik wody.
2. Powinna być możliwość zobaczenia lamp z dyszą i zauważenia, którą z nich należy wymienić.
3. Ustawić przełącznik A w pozycji „OFF” (0) i odłączyć kominiek od prądu.
4. Pozostawić urządzenie na 20 minut, aby lampy ostygły przed wyjęciem.
5. Wyjąć osadnik tak jak opisano w rozdziale Czyszczenie.
6. Wyjąć uszkodzoną lampę, delikatnie podnosząc ją do góry i odczepiając wtyki z oprawki. (patrz rys. 4 i 4a).
Wymienić na kolorową lampę Dimplex Optimyst, 12V, 45W, podstawa Gu5.3, kąt promienia 8°.
7. Ostrożnie włożyć dwa wtyki nowej lampy w dwa otwory oprawki. Mocno docisnąć. (patrz rys. 4 i 4a).
8. Wymienić osadnik, dyszę, zbiornik wody i koryto paliwa.

CZYSZCZENIE

Ostrzeżenie – Zawsze ustawiać przełącznik A w pozycji „OFF” (0) (patrz rys. 10) i odłączać od zasilania przed czyszczeniem kominika.

Zalecamy czyszczenie poniższych komponentów co 2 tygodnie, szczególnie w miejscach z twardą wodą:

Zbiornik wody, osadnik, dysza, nasadka i uszczelka zbiornika, filtr powietrza.

Do ogólnego czyszczenia używać delikatnej i czystej ściereczki do kurzu - nigdy nie stosować agresywnych środków czyszczących.

Aby usunąć nagromadzenie kurzu lub pyłu, należy od czasu do czasu użyć modułu delikatnej szczotki z odkurzacza.

Zbiornik wody

1. Wyjąć zbiornik wody tak jak opisano wcześniej, włożyć w misę i opróżnić wodę.
2. Dostarczoną szczotką delikatnie przetrzeć powierzchnie wewnętrzne nasadki, zwracając szczególną uwagę na gumowy pierścień w zewnętrznym rowku i środkową uszczelkę gumową.
3. Wlać niewielką ilość płynu czyszczącego do zbiornika, założyć nasadkę i dobrze wstrząsnąć, a następnie spłukać, aż znikną wszystkie ślady płynu czyszczącego.
4. Nalać tylko filtrowaną wodę kranową, wymienić nasadkę, nie dokręcać za mocno.

Osadnik

1. Przesunąć przełącznik A do pozycji „OFF” (0).
2. Delikatnie wyjąć koryto paliwa i ostrożnie postawić na ziemi.
3. Wyjąć zbiornik wody, podnosząc go w górę.
4. Odłączyć złącze elektryczne znajdujące się z prawej strony osadnika. (patrz rys. 5).
5. Odkręcić prawe zaczepty blokujące osadnika, obracając je o 90°. Pozwala to całkowicie wyciągnąć osadnik ze swojego miejsca.
6. Delikatnie podnieść osadnik, uważając, aby utrzymywać go równo i nie wylać wody. Włożyć zestaw w misę.
7. Odkręcić lewe zaczepty blokujące osadnika, obracając je o 90°, a następnie podnieść dyszę. (patrz rys. 3)
8. Wyjąć przetwornik i ostrożnie przechylić tak jak pokazano, aby płyn wyciekł z osadnika. (patrz rys. 13)
9. Nalać niewielką ilość płynu do czyszczenia do osadnika i za pomocą dostarczonej szczotki delikatnie wyczyścić wszystkie powierzchnie w osadniku, a następnie delikatnie wyczyścić przetwornik, w tym metalowe tarcze znajdujące się na górze powierzchni z rowkami. (patrz rys. 14)
10. Po wyczyszczeniu dokładnie wypłukać osadnik czystą wodą, aby usunąć wszystkie ślady płynu do czyszczenia.
11. Wyczyścić dyszę szczotką i spłukać dokładnie wodą. (patrz rys. 15)
12. Montaż odbywa się w odwrotnej kolejności.

Filtr powietrza

1. Delikatnie wyjąć koryto paliwa i ostrożnie postawić na ziemi.
2. Delikatnie przesunąć filtr powietrza do góry z plastikowego uchwyty. (patrz rys. 16)
3. Delikatnie wypłukać wodą misę i wysuszyć ręczniczką przed włożeniem.
4. Wymienić filtr upewniając się, że chropowaty czarny filtr jest skierowany do przodu kominka.
5. Wymienić koryto paliwa.

Dodatkowe informacje

OBSŁUGA POSPRZEDAŻOWA

Produkt posiada jednoroczną gwarancję od daty zakupu. W tym okresie naprawimy lub wymienimy ten produkt bezpłatnie (wyłączając lampy i w zależności od dostępności), pod warunkiem, że został zainstalowany i był obsługiwany zgodnie z niniejszymi instrukcjami. Prawa użytkownika wynikające z gwarancji uzupełniają prawa ustawowe, które nie są naruszane przez tą gwarancję.

W razie konieczności uzyskania informacji posprzedażowych lub pomocy w zakresie produktu, należy wejść na stronę www.dimplex.co.uk i wybrać opcję „Wsparcie klienta” lub zadzwonić na naszą infolinię pod numer 0845 600 5111 (Wlk. Brytania) lub 01 842 4833 (Irlandia). Części zamienne są również dostępne na stronie internetowej. Należy zachować paragon jako dowód zakupu.

RECYKLING



Dotyczy produktów elektrycznych sprzedawanych we Wspólnocie Europejskiej - Po zakończeniu okresu użytkowania produktów elektrycznych nie wolno ich wyrzucać z odpadami domowymi. Należy je oddawać do recyklingu tam, gdzie są takie możliwości. Porad dotyczących recyklingu w poszczególnych krajach udzielają lokalne władze lub sprzedawca.

PATENT / ZGŁOSZENIE PATENTOWE

Produkty z serii Optimyst są chronione co najmniej jednym z poniższych patentów lub zgłoszeń patentowych:

Wielka Brytania GB 2402206, GB 2460259, GB 2460453, GB 2418014, GB 2465738, GB 2449925, GB 2465537, GB 2455277, GB 1020534.2, GB 1020537.5, GB 1110987.3

Stany Zjednoczone US 7967690, US 2010299980, US 2011062250, US 2008028648, US 13/167, 042

Rosja RU2008140317

Europa EP 2029941, EP 2201301, EP 2315976, EP 1787063, EP 07723217.1, EP 11170434.2, EP 11170435.9

Chiny CN 101883953, CN 200980128666.2, CN 101057105, CN 101438104

Australia AU 2009248743, AU 2007224634

Kanada CA 2725214, CA 2579444, CA 2645939

Międzynarodowe zgłoszenie patentowe WO 2006027272

Republika Południowej Afryki ZA 200808702

Meksyk MX 2008011712

Korea KR 20080113235

Japonia JP 2009529649

Brazylia BR P10708894-9

Indie IN 4122/KOLNP/2008

Nowa Zelandia NZ 571900

Rozwiązywanie problemów

Objaw	Przyczyna	Środek zaradczy
Nie uruchamia się efekt płomienia.	Wtyczka prądu nie jest włączona. Niski poziom wody. Złącze niskiego napięcia nie jest podłączone prawidłowo. (patrz rys. 5) Zespół przetwornika nie jest prawidłowo osadzony w osadniku.	Sprawdzić czy wtyczka jest prawidłowo podłączona do gniazdka ściennego. Sprawdzić czy zbiornik wody jest pełny i czy jest woda w osadniku. Sprawdzić czy złącze jest włożone prawidłowo. (patrz rys. 5) Upewnić się, że przetwornik jest osadzony w wyciętym zagłębieniu w osadniku.
Efekt płomienia jest za słaby.	Pokrętło sterowania efektem płomienia jest ustawione za nisko. (patrz rys. 10) Tarcza metalowa w przetworniku może być brudna. (patrz rys. 14) Przewód od zespołu przetwornika znajduje się nad metalową tarczą.	Zwiększyć poziom płomienia, obracając powoli pokrętło sterowania C w lewo. (patrz rys. 10) Wyczyścić metalową tarczę dostarczoną delikatną szczotką. (patrz rys. 14) W rozdziale „Konserwacja” opisana jest procedura krok po kroku. Poprowadzić przewód z tyłu osadnika i upewnić się, że znajduje się w bocznym gnieździe wychodząc z osadnika.
Niemły zapach podczas użytkowania.	Brudna lub stęchła woda. Używanie niefiltrowanej wody kranowej.	Wyczyścić zestaw tak jak opisano w rozdziale o konserwacji. Stosować tylko filtrowaną wodę kranową.
Efekt płomienia ma zbyt wiele dymu.	Ustawienie efektu płomienia jest za duże.	Obrócić pokrętło sterowania C efektu płomienia w prawo, stabilnie o około ¼ obrotu. Odczekać, aż generator płomienia dostosuje się do nowego ustawienia. (patrz rys. 10)
Główne lampy nie działają, nie ma płomieni ani dymu.	Nie ma wody w zbiorniku.	Postępować zgodnie z instrukcjami w rozdziałach Konserwacja , „Napełnianie zbiornika wody”. Sprawdzić czy wtyczka jest prawidłowo podłączona do gniazdka ściennego, a przełącznik A na rys. 10 znajduje się w pozycji „ON” (I).

Введение

Благодарим вас за выбор этого электрического обогревателя Dimplex. Пожалуйста, внимательно прочтите данное руководство по эксплуатации, чтобы вы могли безопасно установить, эксплуатировать и осуществлять техническое обслуживание вашего обогревателя.

Важный совет по безопасности эксплуатации

Во время использования электрических устройств необходимо всегда соблюдать основные меры предосторожности, чтобы снизить риск возникновения пожара, поражения электрическим током и получения травм людьми, включая следующие меры безопасности:

1. ВНИМАНИЕ

Не кладите на обогреватель материал или предметы одежды, а также не препятствуйте циркуляции воздуха вокруг обогревателя.

На этом обогревателе имеется предупреждающая надпись "НЕ НАКРЫВАТЬ". 

2. ПОВРЕЖДЕНИЕ

Если обогреватель поврежден, проконсультируйтесь по этому вопросу с производителем перед его установкой и эксплуатацией.

Если повреждена кабель подачи электропитания, он должен быть заменен производителем, его агентом по техническому обслуживанию или специалистом, имеющим подобный уровень квалификации, чтобы предотвратить риск поражения электрическим током.

3. МЕСТО РАСПОЛОЖЕНИЯ

Не используйте обогреватель на открытом воздухе.

Не используйте обогреватель в непосредственной близости от ванны, душа или плавательного бассейна.

Не устанавливайте обогреватель непосредственно под электрической розеткой или распределительной коробкой. Убедитесь, что мебель, занавески или другие легковоспламеняющиеся материалы расположены на расстоянии не менее 1 метра от обогревателя.

4. РАСПОЛОЖЕНИЕ ЭЛЕКТРИЧЕСКОЙ РОЗЕТКИ

Обогреватель должен быть установлен недалеко от электрической розетки.

Не допускайте нахождения кабеля подачи электропитания в непосредственной близости от передней части обогревателя.

5. ОТКЛЮЧЕНИЕ ОТ ЭЛЕКТРИЧЕСКОЙ СЕТИ

В случае возникновения неисправности отключите обогреватель от электрической сети.

Если обогреватель не будет использоваться в течение длительного периода времени, отключите его от электрической сети.

6. ВЛАДЕЛЕЦ/ПОЛЬЗОВАТЕЛЬ

Этот обогреватель не предназначен для эксплуатации детьми или лицами с ограниченными физическими, чувствительными или умственными способностями или лицами, которые не обладают достаточным опытом и знаниями, если только они не находятся под наблюдением или не получают инструкций, связанных с эксплуатацией устройства, от лица, ответственного за их безопасность. Необходимо присматривать за детьми, чтобы убедиться, что они не играют с обогревателем.

7. ЭЛЕКТРИЧЕСКАЯ СЕТЬ

ВНИМАНИЕ - ДАННОЕ УСТРОЙСТВО ДОЛЖНО БЫТЬ ПОДКЛЮЧЕНО К ЗАЗЕМЛЕНИЮ.

К данному устройству должен подключаться только переменный ток, а указанное на устройстве напряжение должно соответствовать подаваемому напряжению.

Перед включением обогревателя, пожалуйста, прочтите инструкции по эксплуатации устройства и обеспечению его безопасной работы.

ВНИМАНИЕ - Не накрывайте обогреватель во избежание перегрева.

Общая информация

Используйте в этом устройстве только фильтрованную воду.

Эта модель разработана как отдельное устройство и обычно устанавливается возле стены.

Всегда проверяйте, чтобы данное устройство было установлено на ровной поверхности.

Пожалуйста, обратите внимание: Если устройство используется в условиях с очень низким уровнем окружающего шума, можно услышать звук работы обогревательного устройства, напоминающего звук пламени. Это нормально и по этому поводу не следует беспокоиться.

Если во время работы данного устройства происходит какой-либо скачок напряжения, устройство может отключиться. Это нормальная защитная функция и устройство восстановит свою работу через 30 секунд.

После установки устройства не перемещайте его и не кладите его на тыльную сторону, не спустив воду из отстойного резервуара и бака для воды.

Если вы не будете использовать устройство более 2 недель, слейте воду из отстойного резервуара и бака для воды и осушите отстойный резервуар.

Необходимо проводить очистку бака для воды, отстойного резервуара, крышки отстойного резервуара, крышки бака и воздушных фильтров каждые две недели, особенно в регионах с высоким уровнем жесткости воды.

Никогда не эксплуатируйте устройство, если не работают лампы.
Необходимо регулярно осматривать лампы, как описано в разделе "Техническое обслуживание" и "Замена ламп".

Инструкции по установке

В этом разделе описывается порядок установки вашего обогревателя.

ПЕРЕД НАЧАЛОМ РАБОТЫ

1. Убедитесь, что вы удалили всю упаковку (внимательно прочтите все предупреждающие надписи на этикетках) и сохраните упаковку, чтобы иметь возможность использовать ее в будущем в случае переезда или возврата устройства вашему поставщику.
2. Перед подключением к электрической сети проверьте, чтобы подаваемое напряжение соответствовало напряжению, указанному на устройстве.

УСТАНОВКА

Установите устройство рядом со стеной.

Подключение блока датчиков + ламп

1. Ослабьте два фиксатора красного цвета, повернув их на 90 градусов. (смотрите рис. 2)
2. Выньте сопло отстойного резервуара. (рис. 3)
3. Установите лампы в держатели для ламп (рис. 4), осторожно вставив штыри в отверстия. (рис. 4a)
4. Вставьте лампы, чтобы они были надежно установлены на своем месте.
5. Установите блок датчиков в отстойный резервуар и подключите кабель к разъему, который находится на отстойном резервуаре. (рис. 5)
6. Чтобы убедиться, что блок датчиков правильно установлен в отстойном резервуаре, проверьте, чтобы фиксатор, который находится на блоке датчиков, находился на одной линии с литым углублением в отстойном резервуаре. (рис. 5a)
7. Убедитесь, что кабель не установлен над диском в блоке датчиков (рис. 5b). Чтобы предотвратить защемление кабеля между соплом и отстойным резервуаром, положите кабель в прорезь в стенке отстойного резервуара.
8. Повторно установите сопло и зафиксируйте его, повернув два фиксатора красного цвета на 90 градусов. (рис. 6)

Заполнение бака для воды

9. Установите бак для воды в раковину и снимите крышку (чтобы открыть поверните ее против часовой стрелки). (рис. 7)
 10. Заливайте в бак для воды **только фильтрованную воду из-под крана**. Это необходимо, чтобы увеличить срок службы обогревателя и устройства, создающего эффект дыма. Вода должна быть отфильтрована с использованием обычного бытового фильтра для воды, в котором фильтр необходимо регулярно менять.
- Нельзя** использовать дистиллированную воду.
11. Снова закрутите крышку, но **не затягивайте слишком сильно**.
 12. Положите бак для воды в отстойный резервуар таким образом, чтобы крышка бака была направлена вниз, а плоская сторона бака была направлена вверх. (рис. 8)

Сборка обогревателя

13. Установите топливную калашу поверх бака для воды и сопла устройства создания дыма. (рис. 9)

Подключите кабель электропитания к соответствующему разъему электропитания обогревателя, который находится в задней части устройства, а также к электрической розетке 13 A/240 В. Теперь обогреватель готов к эксплуатации.

Эксплуатация обогревателя


В этом разделе описываются способы включения вашего обогревателя с использованием кнопок ручного управления или пульта дистанционного управления.


КНОПКИ РУЧНОГО УПРАВЛЕНИЯ

Кнопки ручного управления расположены под откидной заслонкой на петлях.
(Смотрите рис. 10, на котором показан внешний вид блока ручного управления)

Переключатель "А": Управление подачей электропитания к обогревателю.

Примечание: Чтобы обогреватель работал этот переключатель должен быть в положении "ON" (ВКЛ.) (I).

Переключатель "В": Нажмите кнопку  один раз, чтобы включить эффект пламени. Включение будет сопровождаться звуковым сигналом. Хотя основные индикаторы включаются немедленно, эффект пламени появится в течение следующих 30 секунд.

Нажмите кнопку , чтобы переключить обогреватель в режим ожидания. Переход в режим ожидания будет сопровождаться одним звуковым сигналом.

Ручка управления "С": Управление интенсивностью эффекта пламени.

Поворот ручки управления влево увеличивает эффект пламени, а поворот ручки управления вправо уменьшает эффект пламени.

УСТАНОВКА НЕОБХОДИМОГО ЭФФЕКТА ПЛАМЕНИ

1. Ручку управления эффектом пламени "С" (рис. 10) можно повернуть вверх или вниз, чтобы получить более реалистичный эффект.
2. В целом эффект пламени выглядит более реалистично, если ручка управления пламенем повернута вниз.
3. Подождите, чтобы генератор пламени успел перестроиться в соответствии с внесенными вами изменениями.
4. Устройство будет потреблять меньшее количество воды, если эффект пламени установлен на более низкое значение (ручка управления "С").
5. Не поворачивайте и не перемещайте обогреватель, если в баке или отстойном резервуаре имеется вода.
6. Убедитесь, что обогреватель установлен на ровном полу.

ЭКСПЛУАТАЦИЯ С ИСПОЛЬЗОВАНИЕМ ПУЛЬТА ДИСТАНЦИОННОГО УПРАВЛЕНИЯ

На панели управления переключатель А (смотрите рисунок 10) должен находиться в положении "ON" (ВКЛ.) (I), чтобы было возможно эксплуатировать устройство с использованием пульта дистанционного управления.

На пульте дистанционного управления имеется 3 кнопки. (Смотрите рисунок 12) Для правильной работы пульт дистанционного управления должен быть направлен на переднюю сторону решетки. (Смотрите рисунок 17).

Функции пульта дистанционного управления следующие:

- I Нажмите один раз, чтобы включить эффект пламени.
Переход в режим ожидания будет сопровождаться одним звуковым сигналом.



Режим ожидания

Переход в режим ожидания будет сопровождаться одним звуковым сигналом.

Техническое обслуживание

ОБЩИЕ СОВЕТЫ

Используйте в этом устройстве только фильтрованную воду.

Всегда проверяйте, чтобы данное устройство было установлено на ровной поверхности.

Если вы не собираетесь использовать данное устройство в течение более 2 недель, снимите и опустошите отстойный резервуар и бак для воды.

После установки устройства не перемещайте его и не кладите его на тыльную сторону, не спустив воду из отстойного резервуара и бака для воды.

Никогда не эксплуатируйте устройство, если не работают лампы.

Необходимо регулярно осматривать лампы, как описано в разделе "Замена ламп".

ЗАПОЛНЕНИЕ БАКА ДЛЯ ВОДЫ

Когда бак для воды пуст, эффекты пламени и дыма отключаются. При этом вы услышите 2 звуковых сигнала. Для наполнения бака выполните следующие инструкции.

1. Переключите выключатель "А" в положение (0). (Смотрите рисунок 10)
2. Осторожно поднимите топливную калашу и отставьте ее в сторону.
3. Снимите бак для воды, подняв его вверх и в сторону.
4. Положите бак для воды в раковину и снимите крышку, повернув ее против часовой стрелки. (рис. 7)
5. Заливайте в бак для воды **только фильтрованную воду из-под крана**. Это необходимо, чтобы увеличить срок службы обогревателя и устройства, создающего эффект дыма.
Вода должна быть отфильтрована с использованием обычного бытового фильтра для воды, в котором фильтр необходимо регулярно менять.
6. Снова закрутите крышку, но не затягивайте слишком сильно.
7. Положите бак для воды в отстойный резервуар таким образом, чтобы крышка бака была направлена вниз, а плоская сторона бака была направлена вверх. (рис. 8)
8. Осторожно установите топливную калашу назад на свое место. (рис. 9)
9. Переключите переключатель "А" в положение "ON" (ВКЛ.) (I). (Смотрите рисунок 10)

ЗАМЕНА ЛАМП

Если эффекты пламени и дыма будут серыми или бесцветными, возможно, одна или несколько ламп перегорели.

Вы можете проверить исправность ламп следующим образом.

1. Оставьте включенным эффект пламени и выньте топливную калашу и бак для воды.
2. Вы должны увидеть лампы через сопло, чтобы понять какую из них необходимо заменить.

3. Установите переключатель "А" в положение "OFF" (ВЫКЛ.) (0), а затем отключите обогреватель от электрической сети.
4. Подождите 20 минут, пока лампы остынут, прежде чем проводить их замену.
5. Снимите отстойный резервуар в соответствии с инструкциями, указанными в разделе "очистка".
6. Снимите неисправную лампу, осторожно подняв ее вертикально и отсоединив штыри от патрона лампы. (Смотрите рисунок 4 и 4а).
Замените ее на цветную лампу Dimplex Optimyst, 12В, 45Вт, основание G5.3, угол ориентации луча 8°.
7. Осторожно вставьте два штыря новой лампы в два отверстия патрона лампы. Вставьте лампу, чтобы она надежно встала на свое место. (Смотрите рисунок 4 и 4а).
8. Повторно установите на место отстойный резервуар, сопло, бак для воды и топливную калашу.

ОЧИСТКА

Внимание – Всегда устанавливайте переключатель "А" в положение "OFF" (ВЫКЛ.) (0) (Смотрите рисунок 10), а также отключайте обогреватель от электрической сети перед проведением его очистки.

Мы рекомендуем проводить очистку следующих деталей каждые 2 недели, особенно в регионах с жесткой водой:

Бак для воды, отстойный резервуар, сопло, крышка и уплотнение бака, воздушный фильтр.

Для проведения общей очистки используйте мягкую чистую тряпку для пыли и никогда не используйте абразивные чистящие средства.

Для удаления пыли или пуха время от времени необходимо использовать насадку пылесоса с мягкой щеткой.

Бак для воды

1. Снимите бак для воды, о котором упоминалось ранее, положите его в раковину и слейте из него воду.
2. Используя щетку, которая входит в комплект поставки, осторожно протрите внутренние поверхности крышки, уделяя особое внимание резиновому кольцу во внешнем канале и центральному резиновому уплотнению.
3. Залейте небольшое количество жидкости для мытья в бак, повторно закрутите крышку и хорошо встряхните, а затем промойте, пока не смоются все остатки жидкости для мытья.
4. Повторно залейте в бак только фильтрованную воду из-под крана, закрутите крышку, но не затягивайте ее слишком сильно.

Отстойный резервуар

1. Установите переключатель "А" в положение "OFF" (ВЫКЛ.) (0).
2. Осторожно поднимите топливную калашу и положите ее на землю.
3. Снимите бак для воды, подняв его вверх.
4. Отключите электрический разъем, расположенный с правой стороны отстойного резервуара. (Смотрите рисунок 5).
5. Ослабьте фиксаторы, расположенные в правой части отстойного резервуара, повернув их на 90°. Это позволит полностью поднять отстойный резервуар.
6. Осторожно поднимите отстойный резервуар, уделяя особое внимание тому, чтобы держать его ровно и не пролить воду. Положите резервуар в раковину.
7. Ослабьте левые фиксаторы, повернув их на 90°, а затем поднимите сопло. (Смотрите рисунок 3)
8. Выньте датчик и осторожно поверните, как показано на рисунке, чтобы жидкость стекла с отстойного резервуара. (Смотрите рисунок 13)
9. Положите небольшое количество жидкости для мытья в отстойный резервуар и используя щетку, которая входит в комплект поставки, осторожно очистите все поверхности в отстойном резервуаре. Затем осторожно очистите датчик, включая металлические диски, расположенные на верхней поверхности с каналами. (Смотрите рисунок 14)
10. После проведения очистки тщательно промойте отстойный резервуар чистой водой, чтобы смыть все остатки жидкости для мытья.
11. Очистите сопло щеткой и тщательно промойте водой. (Смотрите рисунок 15)
12. Повторите указанные выше действия в обратном порядке.

Воздушный фильтр

1. Осторожно поднимите топливную калашу и положите ее на землю.
2. Осторожно выньте воздушный фильтр из пластмассового держателя. (Смотрите рисунок 16)
3. Промойте фильтр водой в раковине и вытрите тканевым полотенцем, прежде чем установить воздушный фильтр на место.
4. Повторно установите фильтр, убедившись, что фильтр грубой очистки черного цвета направлен на переднюю часть обогревателя.
5. Повторно установите на свое место топливную калашу.

Дополнительная информация

ОТДЕЛ ПОСЛЕПРОДАЖНОГО ОБСЛУЖИВАНИЯ

На ваше устройство предоставляется гарантийное обслуживание в течение одного года с даты приобретения. В течение этого периода времени мы берем на себя обязательства по бесплатному ремонту или замене этого устройства (за исключением ламп и в случае их наличия) при условии, что устройство было установлено и эксплуатировалось в соответствии с этими инструкциями. Ваши права в соответствии с этими гарантийными условиями являются дополнением к вашим законным правам, которые, в свою очередь, не зависят от данных гарантийных условий.

Если вам потребуется информация о послепродажном обслуживании или помощь, связанная с данным товаром, пожалуйста, посетите наш Интернет-сайт www.dimplex.co.uk и выберите раздел "Поддержка покупателей" или позвоните в нашу справочную службу по телефону 0845 600 5111 (Великобритания) или 01 842 4833 (R. O. I.). Запасные части также можно заказать на Интернет-сайте. Пожалуйста, сохраняйте ваш чек в качестве доказательства покупки.

ПОВТОРНАЯ ПЕРЕРАБОТКА



Электрические устройства, проданные в Европейском союзе, нельзя утилизировать вместе с бытовыми отходами. Пожалуйста, сдавайте их на повторную переработку там, где для этого имеются соответствующие организации. Узнайте у ваших местных властей или у продавца о месте повторной переработки таких товаров.

ПАТЕНТ / ЗАЯВКА НА ПАТЕНТ

Товары под торговой маркой Optimyst защищены одним или несколькими патентами, которые перечислены далее, а также следующими поданными заявками на получение патентов:

Великобритания GB 2402206, GB 2460259, GB 2460453, GB 2418014, GB 2465738, GB 2449925, GB 2465537, GB 2455277, GB 1020534.2, GB 1020537.5, GB 1110987.3

США US 7967690, US 2010299980, US 2011062250, US 2008028648, US 13/167, 042

Россия RU 2008140317

Европейский союз EP 2029941, EP 2201301, EP 2315976, EP 1787063, EP 07723217.1, EP 11170434.2, EP 11170435.9

Китай CN 101883953, CN 200980128666.2, CN 101057105, CN 101438104

Австралия AU 2009248743, AU 2007224634

Канада CA 2725214, CA 2579444, CA 2645939

Заявка на получение международного патента WO 2006027272

Южная Африка ZA 200808702

Мексика MX 2008011712

Корея KR 20080113235

Япония JP 2009529649

Бразилия BR P10708894-9

Индия IN 4122/KOLNP/2008

Новая Зеландия NZ 571900

Устранение неисправностей

Неисправность	Причина	Действие по устранению неисправности
Эффект пламени не включается.	<p>Штепсельная вилка не подключена к розетке.</p> <p>Низкий уровень воды.</p> <p>Неправильное подключение к разъему электропитания низкого напряжения. (Смотрите рисунок 5)</p> <p>Блок датчиков неправильно установлен в отстойном резервуаре.</p>	<p>Проверьте, чтобы штепсельная вилка была правильно подключена к электрической розетке.</p> <p>Проверьте, чтобы бак для воды был заполнен водой, а также чтобы вода была в отстойном резервуаре.</p> <p>Проверьте, чтобы разъем был подключен правильно. (Смотрите рисунок 5)</p> <p>Убедитесь, что датчик вставлен в литое углубление отстойного резервуара.</p>
Слишком малый эффект пламени.	<p>Ручка регулировки эффекта пламени установлена на слишком низкое значение. (Смотрите рисунок 10)</p> <p>Металлический диск датчика может быть загрязнен. (Смотрите рисунок 14)</p> <p>Провод от блока датчиков установлен на металлический диск.</p>	<p>Увеличьте эффект пламени, медленно повернув ручку управления "С" влево. (Смотрите рисунок 10)</p> <p>Очистите металлический диск мягкой щеткой, которая входит в комплект поставки. (Смотрите рисунок 14) Пошаговые инструкции вы можете найти в разделе "Техническое обслуживание".</p> <p>Направьте провод в заднюю часть отстойного резервуара и убедитесь, что он проложен через боковой паз, который выходит из отстойного резервуара.</p>
Во время эксплуатации обогревателя появляется неприятный запах.	<p>Грязная или застойная вода.</p> <p>Использование нефilterованной воды из-под крана.</p>	<p>Очистите обогреватель в соответствии с инструкциями, указанными в разделе "Техническое обслуживание".</p> <p>Используйте только фильтрованную воду из-под крана.</p>
Вместе с эффектом пламени появляется слишком большое количество дыма.	Регулятор эффекта пламени установлен на слишком большое значение.	Поверните ручку регулировки эффекта пламени "С" направо, примерно на $\frac{1}{4}$ оборота за один раз. Подождите немного, пока генератор пламени не воспримет новые настройки. (Смотрите рисунок 10)
Основные лампы не работают и отсутствует эффект пламени или дым.	В баке нет воды.	<p>Следуйте инструкциям, которые приведены в разделе Техническое обслуживание и "Заполнение бака водой".</p> <p>Проверьте, чтобы штепсельная вилка была подключена к электрической розетке правильно и переключатель "А", показанный на рисунке 10, был установлен в положение "ON" (ВКЛ.) (I).</p>

Popis

Děkujeme, že jste si vybrali tento elektrický krb od firmy Dimplex. Přečtěte si prosím pozorně tohoto informačního průvodce, abyste mohli bezpečně výrobek instalovat, používat a provádět jeho údržbu.

Důležité bezpečnostní pokyny

Při použití elektrických zařízení se vždy dodržují základní bezpečnostní opatření, aby nedocházelo k riziku požáru, zasažení elektrickým proudem a osobním zraněním osob včetně následujících pokynů:

1. UPOZORNĚNÍ

Nepokládejte na zařízení materiál nebo oděvy, aby nedocházelo k blokování cirkulace vzduchu okolo něho. Toto zařízení s sebou nese upozornění NEZAKRÝVAT.



2. POŠKOZENÍ

Jestliže je zařízení poškozeno, poradte se před instalací a používání s jeho dodavatelem.

Je-li napájecí kabel poškozen, musí být vyměněn výrobcem nebo servisním technikem nebo podobně kvalifikovanou osobou k zamezení rizika.

3. UMÍSTĚNÍ

Neumísťujte zařízení venku.

Nepoužívejte zařízení v bezprostřední blízkosti vany, sprchy nebo plaveckého bazénu.

Neumísťujte oheň bezprostředně pod pevnou zásuvku nebo v blízkosti rozvodné skříňky.

Ujistěte se, že nábytek, záclony nebo další hořlavý materiál je umístěn ne blíže než 1 metr od zařízení.

4. UMÍSTĚNÍ ZÁSTRČKY

Zařízení musí být umístěno tak, aby k byla zástrčka snadno dosažitelná.

Držte napájecí kabel z dosahu přední části zařízení.

5. VYSUNUTÍ ZÁSTRČKY

V případě poruchy vysuňte zástrčku zařízení.

Jestliže nebudete zařízení dlouhou dobu používat vytáhněte zástrčku ze síťové zásuvky.

6. VLASTNÍK/UŽIVATEL

Tento přístroj nesmí být obsluhován osobami (včetně dětí) s omezenými fyzickými, smyslovými nebo mentálními schopnostmi nebo s nedostatkem zkušeností a znalostí pokud nejsou pod dohledem nebo nejsou o použití přístroje informováni osobou zodpovědnou za jejich bezpečnost. Děti by měly být pod dohledem aby si s přístrojem nehrály.

7. ELEKTRINA

UPOZORNĚNÍ - TOTO ZAŘÍZENÍ MUSÍ BÝT UZEMNĚNO.

Toto zařízení musí používat pouze AC napájecí zdroj a napětí, které je označeno na zařízení musí souhlasit s napájecím napětím.

Před zapnutím zařízení si prosím přečtěte bezpečnostní pokyny a instrukce k používání.

UPOZORNĚNÍ - K zamezení přehřátí zařízení nepřikrývejte.

Všeobecná informace

V tomto zařízení používejte pouze filtrovanou vodu.

Tento model může volně stát a je běžně umístěn blízko zdi.

Vždy se ujistěte, že zařízení spočívá na rovném povrchu.

Uvědomte si prosím: Používejte zařízení v prostředí s velmi nízkým hlukem, aby bylo možno slyšet zvuk související s plamenovým efektem. Toto je běžné používání a nemělo by být spojeno se znepokojením.

Jestliže se tento výrobek setká z jakéhokoliv důvodu s nárazy proudu může se vypnout. To je normální bezpečnostní vlastnost a zařízení obnoví provoz po 30 sekundách.

Po instalaci nepohybuje zařízením nebo ho nepokládejte na zadní část bez vypuštění vody z jímky nebo zásobníku vody.

Jestliže nebudete zařízení používat déle než 2 týdny, vypusťte vodu z jímky a zásobníku vody a jímku vysušte.

Zásobník vody, jímka, víko jímky, uzávěr zásobníku vody a vzduchové filtry musí být čištěny jednou za dva týdny zvláště tam, kde se vyskytuje tvrdá voda.

Zařízení by nikdy nemělo být používáno jestliže žárovky nesvítí.

Žárovky by měly být pravidelně kontrolovány jak je popsáno v části 'Údržba' a 'Výměna žárovek'.

Pokyny k instalaci

V této části je popsáno jak zažehnout váš oheň.

PŘEDTÍM NEŽ ZAČNETE

1. Ujistěte se, že jsou všechny obalové materiály vyjmuty (čtete pozorně štítky s upozorněním) a uschovejte si obalový materiál pro budoucnost např. při stěhování domu nebo u předání zařízení dodavateli.
2. Před připojením zařízení k síťové zásuvce se ujistěte, že napájecí napětí je shodné s napětím uvedeném na zařízení.

INSTALACE

Umístěte zařízení ke zdi.

Připojení jednotky transduktoru + žárovek

1. Uvolněte dvě červené příchytky jejich otočením o 90 stupňů. (viz obr. 2)
2. Vyzvedněte trysku jímky. (Obr. 3)
3. Vložte žárovky do držáků (obr. 4), opatrně umístěte kolíčky do otvorů. (Obr. 4a)
4. Zasuňte žárovky pevně na své místo.
5. Umístěte do jímky jednotku transduktoru a připojte kabel ke konektoru jímky. (Obr. 5)
6. Ujistěte se, že je transduktor správně vložen do jímky tak, že příchytka na jednotce transduktoru by měla být v linii s tvarovaným lůžkem jímky. (Obr. 5a)
7. Ujistěte se, že kabel není položen na disku jednotky transduktoru (obr. 5b). Aby nedošlo k přiskřípnutí kabelu mezi tryskou a jímkou umístěte kabel do slotu zdi jímky.
8. Dejte na původní místo trysku jímky a zajistěte ji otočením dvou červených příchytok o 90 stupňů. (Obr. 6)

Naplnění zásobníku vody

9. Umístěte zásobník vody do dřezu a vyjměte jeho uzávěr (v protisměru hodinových ručiček). (Obr. 7)
10. Zásobník vody naplněte pouze **filtrovanou vodou z kohoutku**. To je nezbytné k větší životnosti plamenu a kouřového efektu jednotky. Voda by měla být filtrována přes konvenční domácí jednotku na filtrování vody její filtr by měl být pravidelně vyměňován. Destilovaná voda nesmí být **not** použita.
11. Zašroubujte zpět uzávěr – **nepřetahuje ho**.
12. Umístěte zásobník vody do jímky aby uzávěr zásobníku vody směřoval dolů a plochá strana zásobníku aby směřovala ven. (Obr. 8)

Kompletace ohně

13. Umístěte palivové lože na horní část zásobníku vody a rozprašovací trysku. (Obr. 9)

Připojte napájecí kabel k příslušnému napájecímu konektoru v zadní části zařízení a vložte zástrčku napájecího kabelu do síťové zásuvky o parametrech 13 Amp/240 V. Nyní je zařízení připraveno k použití.

Řízení ohně


Tato část popisuje jak aktivovat váš oheň pomocí ručních ovladačů nebo dálkového ovládání.


RUČNÍ OVLADAČE

Ruční ovladače jsou umístěny pod výklopným víkem.
(viz obr. 10 o rozložení ručních ovladačů)

Přepínač 'A': Řídí dodávku elektřiny ohni.

Poznámka: Tento přepínač musí být v pozici 'ON' (I) k řízení ohně.

Přepínač 'B': Stiskněte jednou  k zapnutí efektu plamene. To bude indikováno zvukovým pípnutím. I když se hlavní světla rozsvítí okamžitě bude trvat dalších 30 sekund než začne působit efekt plamene.

Stiskněte  k zapálení ohně v pohotovostním režimu. To bude indikováno zvukovým pípnutím.

Nastavovací knoflík 'C': Řídí intenzitu efektu plamene.

Otočením nastavovacího knoflíku vlevo dojde k zvýšení efektu plamene, otočením vpravo k snížení efektu plamene.


NASTAVENÍ POŽADOVANÉHO EFEKTU PLAMENE

1. Nastavovací knoflík plamene 'C' (obr. 10) může být zvýšen nebo snížen k většímu realistickému efektu.
2. Obecně plameny vypadají realističtěji je-li ovladač plamene snížen.
3. Dejte generátoru plamene čas, aby mohl reagovat na vámi provedené změny.
4. Zařízení spotřebuje méně vody je-li efekt plamene nastaven na nízkou úroveň (nastavovací knoflík 'C').
5. Nenaklánějte zařízení ani jím nehýbejte jestliže je voda v zásobníku nebo v jímce.
6. Ujistěte se, že zařízení spočívá na rovném povrchu.

DÁLKOVÉ OVLÁDÁNÍ

Na ovládacím panelu, přepínač A (viz obr. 10) musí být v pozici 'ON' (I), aby bylo možno použít dálkové ovládání. Na dálkovém ovládacím panelu jsou 3 tlačítka. (viz obr. 12) Aby dálkové ovládání správně fungovalo, musí směřovat k přední části mřížky. (viz obr. 17). Funkce dálkového ovládání jsou následující:

I Stiskněte jednou k zapnutí efektu plamene.
To bude indikováno zvukovým pípnutím.

 Pohotovostní režim
To bude indikováno zvukovým pípnutím.

Údržba

VŠEOBECNÉ TIPY

V tomto zařízení používejte pouze filtrovanou vodu z kohoutku.

Vždy se ujistěte, že zařízení spočívá na rovném povrchu.

Jestliže nebudete toto zařízení používat déle než 2 týdny, vyjměte a vyprázdněte jímku a zásobník vody.

Po instalaci nepohybujte zařízením nebo ho nepokládejte na zadní část bez vypuštění vody z jímky nebo zásobníku vody.

Zařízení by nikdy nemělo být používáno jestliže žárovky nesvítí.

Žárovky by měly být pravidelně kontrolovány jak je popsáno v části 'Výměna žárovek'.

NAPLNĚNÍ ZÁSObNÍKU VODY

Je-li zásobník vody vyprázdněn, plamen a efekt kouře se vypnou a uslyšíte 2 zvuková pípnutí, v tomto případě proveďte tyto kroky.

1. Stiskněte přepínač 'A' na (0). (viz obr. 10)
2. Jemně vyzvedněte palivové lože a opatrně ho dejte stranou.
3. Vyjměte zásobník vody vyzvednutím nahoru a ven.
4. Umístěte zásobník vody do dřezu a vyjměte jeho uzávěr (v protisměru hodinových ručiček). (Obr. 7)
5. Naplňte zásobník **pouze filtrovanou vodou z kohoutku**. To je nezbytné k větší životnosti plamenu a kouřového efektu jednotky.
- Voda by měla být filtrována přes konvenční domácí jednotku na filtrování vody její filtr by měl být pravidelně vyměňován.
6. Zašroubujte uzávěr zpět, nepřetahujte ho.
7. Vraťte zásobník do jímky aby uzávěr zásobníku vody směřoval dolů a plochá strana aby směřovala ven. (Obr. 8)
8. Jemně umístěte palivové lože zpět do své pozice. (Obr. 9)
9. Stiskněte přepínač 'A' do 'ON' (I) pozice. (viz obr. 10)

VÝMĚNA ŽÁROVEK

Jestliže se plamen a efekt kouře zdá šedý nebo bezbarvý může to být způsobeno vadnou žárovkou nebo více vadnými žárovkami.

Jestliže je žárovka vadná můžete zjistit následovně.

1. Ponechejte zapnut efektu plamene, zvedněte palivové lože a zásobník vody.
2. Nyní by měly být vidět žárovky s tryskou a můžete zjistit, která z nich potřebuje vyměnit.
3. Dejte přepínač 'A' do pozice 'OFF' (0) a vysuňte napájecí kabel ze síťové zásuvky.
4. Nechejte zařízení 20 minut, aby mohly žárovky vychladnout předtím než je vyjmete.
5. Vyjměte jímku jak je popsáno v části Čištění.
6. Vyjměte vadnou žárovku jemným svislým vyzvednutím, aby se uvolnily s kolíčků držáku žárovky. (viz obr. 4 a 4a). Nahraďte ji barevnou žárovkou Dimplex Optimyst, 12V, 45W, Gu5.3 base, 8° úhel paprsku.
7. Opatrně vložte dva kolíčky nové žárovky do dvou otvorů v držáku žárovky. Pevně ji zatlačte na své místo. (viz obr. 4 a 4a).
8. Vložte zpět jímku, trysku, zásobník vody a palivové lože.

ČIŠTĚNÍ

Upozornění – Vždy přepněte přepínač 'A' do 'OFF' (0) pozice (viz obr. 10) a před čištěním vyjměte napájecí kabel ze síťové zásuvky.

Doporučujeme čištění následujících částí jednou za dva týdny zvláště v oblastech s tvrdou vodou:

Zásobník vody, jímka, tryska, uzávěr zásobníku vody a těsnění, vzduchový filtr.

Pro běžné čištění použijte jemnou čistou prachovku - nikdy nepoužívejte čističe s brusivou.

K odstranění akumulovaného prachu nebo chuchvalců použijte jemný kartáč vysavače prachu - ten by měl být příležitostně použit.

Zásobník vody

1. Vyměňte zásobník vody jak bylo vysvětleno již dříve, vložte ho do dřezu a vyprázdněte ho.
2. Pomocí přiloženého kartáčku jemně otírejte vnitřní povrchy uzávěru a věnujte zvláštní pozornost pryžovému kroužku ve vnější drážce a ve středu pryžového těsnění.
3. Vložte do zásobníku malé množství kapalného mycího prostředku na praní, vložte zpět uzávěr a dobře zásobníkem zatřeste poté opláchněte všechny stopy mycího prostředku na praní, dokud nebude zcela odstraněn.
4. Zásobník naplňte filtrovanou vodou z kohoutku, vložte zpět jeho uzávěr, nepřetahujte ho.

Jímka

1. Stiskněte přepínač 'A' do 'OFF' (0) pozice.
2. Jemně vyzvedněte palivové lože a položte ho opatrně na zem.
3. Vyměňte zásobník vody vyzvednutím nahoru.
4. Odpojte elektrický konektor umístěný na pravé straně jímky. (viz obr. 5)
5. Uvolněte uzamykací přičtyčky na pravé straně jímky otočením o 90°. Tím bude možno jímku zcela vyjmout ze svého místa.
6. Jemně vyzvedněte jímku pokud možno vodorovně, abyste z ní nevylili vodu. Položte jednotku jímky do dřezu.
7. Uvolněte uzamykací přičtyčky na levé straně jímky otočením o 90° a vyzvedněte trysku. (viz obr. 3)
8. Vyměňte transduktor a opatrně ho nakloňte, aby z jímky vytekla veškerá kapalina. (viz obr. 13)
9. Vložte do jímky malé množství kapalného mycího prostředku na praní a pomocí přiloženého kartáčku jemně vyčistěte všechny povrchy v jímcce a jemně vyčistěte transduktor včetně kovových disků umístěných v horní části drážkového povrchu. (viz obr. 14)
10. Po čištění důkladně opláchněte jímku čistou tekoucí vodou k odstranění všech stop kapalného mycího prostředku na praní.
11. Vyčistěte trysku kartáčkem a vypláchněte ji důkladně vodou. (viz obr. 15)
12. K opětovnému smontování zařízení použijte výše uvedený opačný postup.

Vzduchový filtr

1. Jemně vyzvedněte palivové lože a položte ho opatrně na zem.
2. Jemně posuňte vzduchový filtr nahoru z jeho plastického držáku. (viz obr. 16)
3. Jemně ho opláchněte vodou v dřezu a před jeho vložením zpět ho vysušte ručníkem z látky.
4. Vložte filtr zpět a ujistěte se, že jeho hrubá černá strana směřuje k přední části ohniště.
5. Vložte zpět palivové lože.

Doplňková informace

POPRODEJNÍ SERVIS

Váš výrobek má záruční dobu jeden rok od data jeho zakoupení. Během této záruční doby vám výrobek opravíme nebo vyměníme bezplatně (vyjma žárovek & dle dostupnosti) za předpokladu, že jste ho instalovali a používali ve shodě s těmito pokyny. Vaše práva pod touto zárukou jsou dodatečná k vašim zákonným právům, která nejsou postupně ovlivněna touto zárukou.

Kdybyste vyžadovali poprodejní informace nebo asistence ohledně tohoto výrobku navštivte prosím webovou stránku www.dimplex.co.uk a zvolte 'Customer Support' (zákaznický servis) nebo zavolejte naši podporu na on 0845 600 5111 (Velká Británie) nebo 01 842 4833 (návratnost investic). Na této webové stránce jsou také k dispozici náhradní součásti. Uchovejte si prosím doklad o koupi výrobku.

RECYKLACE



U elektrických výrobků prodávaných uvnitř Evropské unie - Elektrické výrobky nesmí být likvidovány spolu s domovním odpadem. Recyklujte je prosím ve vybraných zařízeních. Konzultujte recyklaci s místními úřady ve vaší zemi.

PATENT/PATENTOVÁ PŘIHLÁŠKA

Výrobky sortimentu Optimyst jsou chráněny jedním nebo více z následujících patentů a žádostmi o udělení patentu:

Velká Británie GB 2402206, GB 2460259, GB 2460453, GB 2418014, GB 2465738, GB 2449925, GB 2465537, GB 2455277, GB 1020534.2, GB 1020537.5, GB 1110987.3

USA US 7967690, US 2010299980, US 2011062250, US 2008028648, US 13/167, 042

Rusko RU2008140317

Evropa EP 2029941, EP 2201301, EP 2315976, EP 1787063, EP 07723217.1, EP 11170434.2, EP 11170435.9

Čína CN 101883953, CN 200980128666.2, CN 101057105, CN 101438104

Austrálie AU 2009248743, AU 2007224634

Kanada CA 2725214, CA 2579444, CA 2645939

Mezinárodní přihláškou patentu WO 2006027272

Jižní Afrika ZA 200808702

Mexiko MX 2008011712

Korea KR 20080113235

Japonsko JP 2009529649

Brazílie BR P10708894-9

Indie IN 4122/KOLNP/2008

Nový Zéland NZ 571900

Řešení problémů

Symptom	Příčina	Náprava
Efekt plamene se nespustí.	Zástrčka napájecího kabelu není v síťové zásuvce. Nízká hladina vody. Konektor nízkého napětí není náležitě připojen. (viz obr. 5) Jednotka transduktoru není správně nasazena na jímce.	Zkontrolujte zdali je zástrčka v nástěnné síťové zásuvce. Zkontrolujte zdali je zásobník vody plný a jestli je v jímce voda. Zkontrolujte zdali je konektor správně vložen. (viz obr. 5) Ujistěte se, že je transduktor správně usazen na tvarovaném lůžku jímky.
Efekt plamenu je příliš nízký.	Nastavovací knoflík ovládání efektu plamenu je nastaven příliš nízkou. (viz obr. 10) Kovový disk jednotky transduktoru může být zašpiněn. (viz obr. 14) Kabel z jednotky transduktoru je umístěn přes kovový disk.	Zvyšte úroveň plamene otočením nastavovacího knoflíku 'C' mírně vlevo. (viz obr. 10) Vyčistěte kovový disk přiloženým jemným kartáčkem. (viz obr. 14) Viz 'Údržba.' k postupu krok za krokem. Ved'te kabel v zadní části jímky a ujistěte se, že je v postranním slotu, který opouští jímku.
Při použití jednotky je cítit nepříjemný zápach.	Špinavá nebo odstátá voda. Použili jste nefiltrovanou vodu z kohoutku.	Vyčistěte jednotku jak je popsáno v části Údržba. Používejte pouze filtrovanou vodu z kohoutku.
Efekt plamene má příliš mnoho kouře.	Nastavení efektu plamene je příliš vysoké.	Otočte nastavovacím knoflíkem 'C' vpravo asi o ¼ otáčky najednou. Ponechte generátoru plamenu nějaký čas než se přizpůsobí novému nastavení. (viz obr. 10)
Hlavní žárovky jsou vadné a proto nejsou žádné plameny nebo kouř.	V zásobníku vody není voda.	Proveďte pokyny v části Údržba , 'Naplnění zásobníku vody'. Zkontrolujte zdali je zástrčka připojena správně k nástěnné síťové zásuvce a přepínač 'A' obr. 10 je na 'ON' (I) pozici.

Įvadas

Dėkojame, kad pasirinkote šį „Dimplex“ elektrinį židinį. Prašom atidžiai perskaityti šį informacinį vadovą, kad galėtumėte saugiai įrengti, naudoti ir prižiūrėti gaminį.

Svarbus saugos patarimas

Naudojant elektrinius prietaisus, visada reikia imtis bendrųjų atsargumo priemonių, kad sumažėtų gaisro, elektros šoko ir asmenų sužeidimo pavojus; nepamirškite šių priemonių:

1. ĮSPĖJIMAS

Medžiagų ir drabužių nedėkite ant prietaiso, netrukdykite orui cirkuliuoti aplink prietaisą.

Galioja įspėjimas NEUŽDENGTI šio prietaiso.



2. PAŽEIDIMAS

Jei prietaisas pažeistas, prieš įrengdami ir naudodami pasitarkite su tiekėju.

Pažeistą maitinimo laidą turi pakeisti gamintojas, jo techninės priežiūros atstovas ar panašios kvalifikacijos asmuo, kad būtų išvengta pavojaus.

3. VIETA

Nenaudokite lauke.

Nenaudokite prie pat vonios, dušo ar baseino.

Židinio nestatykite po stacionariu lizdu arba jungčių dėžute.

Pasirūpinkite, kad nuo baldų, užuolaidų, kitų degių medžiagų iki prietaiso būtų bent 1 metro atstumas.

4. KIŠTUKO PADĖTIS

Prietaisas turi būti padėtas taip, kad būtų galima pasiekti kištuką.

Maitinimo laidą patraukite nuo prietaiso priekio.

5. KIŠTUKO IŠTRAUKIMAS

Įvykus trikdžiai ištraukite prietaiso kištuką.

Prietaiso kištuką ištraukite, jei prietaiso ilgai nenaudosite.

6. SAVININKAS / NAUDOTOJAS

Šis prietaisas nėra skirtas naudoti vaikams ir asmenims su fizine, jutimine ar protine negalia, taip pat tiems asmenims, kuriems trūksta patirties ir žinių, nebent juos prižiūri už jų saugą atsakingas asmuo ir paaiškina, kaip naudoti prietaisą.

Vaikus reikia prižiūrėti, kad jie nežaistų su prietaisu.

7. ELEKTROS SROVĖ

ĮSPĖJIMAS – ŠĮ PRIETAISĄ REIKIA ĮŽEMINTI.

Šiam prietaisui maitinti tinka tik kintamoji srovė; tinkama maitinimo tinklo įtampa nurodyta ant prietaiso.

Prieš įjungdami perskaitykite saugos patarimus ir naudojimo instrukcijas.

ĮSPĖJIMAS – siekdami išvengti perkaitimo, neuždenkite prietaiso.

Bendroji informacija

Šiam prietaisui tinka tik filtruotas vanduo.

Tai atskirai stovintis modelis, paprastai jis statomas prie sienos.

Visada užtikrinkite, kad prietaisas būtų pastatytas ant lygaus paviršiaus.

Prašom įsidėmėti: naudojant aplinkoje, kurioje mažai foninio triukšmo, gali girdėtis veikiančio prietaiso ir liepsnų efekto garsas. Tai įprasta ir neturi kelti susirūpinimo.

Jei dėl bet kokios priežasties gaminį paveikia viršįtampis, gaminys gali išsijungti. Tai įprasta saugos funkcija, gaminys vėl ims veikti po 30 sekundžių.

Įrengto prietaiso niekada nejudinkite ir neguldysite ant nugarėlės, jei neišleidote vandens iš bakelio ir vandens talpyklos.

Jei prietaiso neketinate naudoti ilgiau kaip 2 savaites, išleiskite vandenį iš bakelio bei vandens talpyklos ir išdžiovinkite bakelį.

Vandens talpyklą, bakelį, bakelio dangtį, talpyklos gaubtelį ir oro filtrus reikia valyti kas dvi savaites, ypač jei jūsų vietovėje vanduo kietas.

Prietaiso negalima naudoti, jei lempos neveikia.

Lempas reikia reguliariai tikrinti taip, kaip aprašyta skyriuje „Priežiūra“, skirsnyje „Lempų keitimas“.

Įrengimo instrukcijos

Šiame skyriuje aprašyta, kaip židinį parengti veikti.

PRIEŠ PRADĖDAMI

1. Būtinai nuimkite visas pakavimo medžiagas (atidžiai perskaitykite visas įspėjamąsias etiketes), jų neišmeskite, nes galbūt prireiks ateityje, pvz., jei persikraustysite ar norėsite prietaisą gražinti tiekėjui.
2. Prieš jungdami prie maitinimo tinklo patikrinkite, ar tinklo įtampa tokia pati, kokia nurodyta ant prietaiso.

ĮRENGIMAS

Prietaisą pastatykite prie sienos.

Keitiklio ir lempų prijungimas

1. Atleiskite dvi raudonas ašeles, pasukdami jas 90 laipsnių. (2 pav.)
2. Iškelkite bakelio purkštuką. (3 pav.)
3. Lempas įstatykite į joms skirtus laikiklius (4 pav.), kaiščius atsargiai įkiškite į skylės. (4a pav.)
4. Lempas tvirtai įstumkite į joms skirtas vietas.
5. Keitiklį įdėkite į bakelį, kabelį prijunkite prie jungties bakelyje. (5 pav.)
6. Norėdami užtikrinti, kad keitiklis tinkamai įdėtas į bakelį, keitiklio ašelę turite sulygiuoti su suformuota įduba bakelyje. (5a pav.)
7. Kabelis negali būti virš disko, esančio ant keitiklio (5b pav.). Kad kabelis nebūtų suspaustas tarp purkštuko ir bakelio, kabelį įdėkite į išėmą bakelio sienelėje.
8. Vėl įdėkite bakelio purkštuką ir apsaugokite jį, dvi raudonas ašeles pasukdami 90 laipsnių. (6 pav.)

Vandens talpyklos pripildymas

9. Vandens talpyklą įdėkite į kriauklę ir nuimkite gaubtelį (norėdami atidaryti, sukite prieš laikrodžio rodyklę). (7 pav.)
10. Į vandens talpyklą galima pilti **tik filtruotą vandenį iš čiaupo**. Tai būtina tam, kad ilgiau veiktų liepsnų ir dūmų efektą sukuriantis įtaisas. Vanduo turi būti filtruojamas naudojant įprastą namų ūkiams skirtą filtrą, jo filtruojamuosius įdėklus reikia keisti reguliariai. **Negalima** naudoti distiliuoto vandens.
11. Vėl užsukite gaubtelį – **neveržkite per stipriai**.
12. Vandens talpyklą įdėkite į bakelį taip, kad talpyklos gaubtelis būtų apačioje, o talpyklos plokščiasis šonas būtų nukreiptas į išorę. (8 pav.)

Židinio surinkimas

13. Kurą imituojančią plokštę padėkite ant vandens talpyklos ir dulksnos purkštuko viršaus. (9 pav.)

Maitinimo laidą junkite į tinkamą maitinimo jungtį prietaiso nugarėlėje, tada maitinimo laidą junkite į 13 amp / 240 voltų lizdą. Dabar prietaisas parengtas naudoti.

Židinio naudojimas


Šiame skyriuje aprašyta, kaip židinį įjungti naudojant arba rankinius valdiklius, arba nuotolinio valdymo pultą.


RANKINIAI VALDIKLIAI

Rankiniai valdikliai yra po atverčiamuoju skydeliu.
(10 pav. parodyta, kaip išdėstyti rankiniai valdikliai)

A jungiklis: valdo elektros srovės tiekimą į židinį.

Pastaba: kad veiktų židiny, šis jungiklis turi būti nustatytas į padėtį ĮJUNGTA (I).

B jungiklis: spauskite  vieną kartą, kad įjungtumėte liepsnų efektą. Tai nurodydamas prietaisas supypsės. Nors pagrindinės šviesos užsidega iškart, liepsnų efektas įsijungs po 30 sekundžių.

Spauskite , kad židiny imtų veikti budėjimo režimu. Tai nurodydamas prietaisas vieną kartą supypsės.

C valdymo rankenėlė: valdo liepsnų efekto intensyvumą.

Valdymo rankenėlę sukant į kairę, liepsnų efektas sustiprėja, o valdymo rankenėlę sukant į dešinę liepsnų efektas susilpnėja.

PAGEIDAUJAMO LIEPSNŲ EFEKTO NUSTATYMAS

1. C liepsnų valdymo rankenėlę (10 pav.) galima sukti į vieną ir į kitą pusę, kad efektas būtų kuo tikroviškesnis.
2. Paprastai liepsnos atrodo tikroviškesnės, kai efektas silpninamas.
3. Palaukite, kol liepsnos generatorius sureaguos į jūsų atliktus pakeitimo veiksmus.
4. Prietaisas sunaudos mažiau vandens, jei liepsnos efektas bus susilpnintas (C valdymo rankenėlė).
5. Nekelkite ir nejudinkite prietaiso, jei talpykloje ar bakelyje yra vandens.
6. Pasirūpinkite, kad prietaisas stovėtų ant lygių grindų.

VALDYMAS NUOTOLINIU PULTU

Norint naudotis nuotolinio valdymo pultu, valdymo skydelyje esantis A jungiklis (žr. 10 pav.) turi būti nustatytas į padėtį JUNGTA (I).

Nuotolinio valdymo pulte yra 3 mygtukai. (Žr. 12 pav.) Kad veiktų tinkamai, nuotolinio valdymo pultą reikia nukreipti į grotelių priekį. (Žr. 17 pav.). Nuotolinio valdymo pulto funkcijos:

- I Spauskite vieną kartą, kad įjungtumėte liepsnų efektą. Tai nurodymas prietaisui vieną kartą supypsės.



Budėjimo režimas

Tai nurodymas prietaisui vieną kartą supypsės.

Priežiūra

BENDRIEJI PATARIMAI

Šiam prietaisui tinka tik filtruotas vanduo iš čiaupo.

Visada užtikrinkite, kad prietaisas būtų pastatytas ant lygaus paviršiaus.

Jei neketinate prietaiso naudoti ilgiau kaip 2 savaites, išimkite ir ištuštinkite bakelį bei vandens talpyklą.

Įrengto prietaiso niekada nejudinkite ir neguldyskite ant nugarėlės, jei neišleidote vandens iš bakelio ir vandens talpyklos.

Prietaiso negalima naudoti, jei lempos neveikia.

Lempas reikia reguliariai tikrinti taip, kaip aprašyta skirsnyje „Lempų keitimas“.

VANDENS TALPYKLOS PRIPILDYMAS

Kai, ištuštėjus vandens talpyklai, išsijungia liepsnų ir dūmų efektas ir pasigirsta 2 pytelėjimai, atlikite toliau nurodytus veiksmus.

1. A jungiklį nustatykite į padėtį (0). (Žr. 10 pav.)

2. Švelniai iškelkite kurą imituojančią plokštę ir atsargiai padėkite į šoną.

3. Išimkite vandens talpyklą – turėsite ją iškelti ir ištraukti.

4. Vandens talpyklą įdėkite į kriauklę, sukdami prieš laikrodžio rodyklę nusukite gaubtelį. (7 pav.)

5. Į talpyklą galite pilti **tik filtruotą vandenį iš čiaupo**. Tai būtina tam, kad ilgiau veiktų liepsnų ir dūmų efektą sukuriantis įtaisas.

Vanduo turi būti filtruojamas naudojant įprastą namų ūkiams skirtą filtrą, jo filtruojamuosius įdėklus reikia keisti reguliariai.

6. Vėl užsukite gaubtelį, neveržkite per stipriai.

7. Vandens talpyklą įdėkite į bakelį taip, kad talpyklos gaubtelis būtų apačioje, o talpyklos plokščiasis šonas būtų nukreiptas į išorę. (8 pav.)

8. Kurą imituojančią plokštę švelniai įdėkite į jos vietą. (9 pav.)

9. A jungiklį nustatykite į padėtį JUNGTA (I). (Žr. 10 pav.)

LEMPŲ KEITIMAS

Jei liepsnų ir dūmų efektas atrodo pilkas ar bespalvis, galbūt perdegė viena ar kelios lempos.

Ar lempa perdegė, galite patikrinti taip.

1. Neišjungę liepsnų efekto, iškelkite kurą imituojančią plokštę ir vandens talpyklą.

2. Turėtumėte matyti lempas ir purkštuką jų vietose ir atskirti, kurias reikia pakeisti.

3. A jungiklį nustatykite į padėtį IŠJUNGTA (0), židinio kištuką ištraukite iš maitinimo tinklo lizdo.

4. Prieš išimdami lempas, palikite prietaisą 20 minučių, kad lempos atvėstų.

5. Išimkite bakelį, kaip aprašyta skirsnyje „Valymas“.

6. Išimkite perdegusią lempą – ją švelniai kelkite vertikaliai ir išlaisvinkite kaiščius iš lempos laikiklio. (Žr. 4 ir 4a pav.)

Keiskite „Dimplex Optimyst“ 12 V, 45 W, Gu 5,3 pagrindo, 8° spindulių kampo spalvota lempa. (Galima įsigyti mūsų svetainėje <http://spares.dimplex.co.uk>.)

7. Naujos lempos du kaiščius atidžiai įkiškite į dvi skylės lempos laikiklyje. Tvirtai įstumkite. (Žr. 4 ir 4a pav.)

8. Vėl įdėkite bakelį, purkštuką, vandens talpyklą ir kurą imituojančią plokštę.

VALYMAS

Įspėjimas – prieš valydami židinį, A jungiklį visada nustatykite į padėtį IŠJUNGTA (0) (Žr. 10 pav.) ir atjunkite nuo maitinimo tinklo.

Toliau nurodytas dalis patariame valyti kas 2 savaites, ypač jei jūsų vietovėje vanduo kietas:

vandens talpyklą, bakelį, purkštuką, talpyklos gaubtelį ir sandariklį, oro filtrą.

Atlikdami bendruosius valymo darbus, naudokite minkštą švarią šluostę – niekada nenaudokite abrazyvinių valiklių.

Norint nuvalyti susikaupusias dulkes ir pūkus, kartais galima naudoti prie dulkių siurblio pritvirtinamą minkštą šepetėlį.

Vandens talpykla

1. Vandens talpyklą išimkite taip, kaip aprašyta pirmiau, įdėkite į kriauklę ir išleiskite vandenį.
2. Pateiktu šepetėliu švelniai patrinkite gaubtelio vidų, ypač kruopščiai trinkite guminį žiedą išoriniame griovelyje ir centrinį guminį sandariklį.
3. Kelis lašus indų ploviklio įpilkite į talpyklą, užsukite gaubtelį, gerai pakratykite ir skalaukite, kol neliks jokių indų ploviklio likučių.
4. Pripilkite filtruoto vandens iš čiaupo, užsukite gaubtelį, bet per stipriai neveržkite.

Bakelis

1. A jungiklį nustatykite į padėtį IŠJUNGTA (0).
2. Švelniai iškelkite kurą imituojančią plokštę ir atsargiai padėkite ją ant žemės.
3. Keldami į viršų išimkite vandens talpyklą.
4. Atjunkite elektrinę jungtį, esančią bakelio dešiniojoje pusėje. (Žr. 5 pav.).
5. Atleiskite dešiniąsias bakelį fiksuojančias ašeles, pasukdami jas 90°. Tada bakelį galėsite visiškai iškelti iš jo vietos.
6. Švelniai iškelkite kurą imituojančią plokštę ir atsargiai padėkite ant žemės. Mazgą įdėkite į kriauklę.
7. Atleiskite kairiųjų bakelį fiksuojančias ašeles, pasukdami jas 90°, ir iškelkite purkštuką. (Žr. 3 pav.)
8. Iškelkite keitiklį ir atidžiai kilstelėkite taip, kaip parodyta, kad iš bakelio išbėgtų vanduo. (Žr. 13 pav.)
9. Į bakelį įpilkite kelis lašus indų ploviklio. Tada pateiktu šepetėliu švelniai nuvalykite visus bakelio paviršius ir keitiklį, nepamirškite metalinių diskų, esančių viršutiniame paviršiuje su grioveliais. (Žr. 14 pav.)
10. Išvalę bakelį kruopščiai išskalaukite švariu vandeniu, kad neliktų jokių indų ploviklio likučių.
11. Purkštuką nuvalykite šepetėliu ir kruopščiai nuplaukite tekančiu vandeniu. (Žr. 15 pav.)
12. Norėdami surinkti, nurodytus veiksmus atlikite atvirkščia tvarka.

Oro filtras

1. Švelniai iškelkite kurą imituojančią plokštę ir atsargiai padėkite ją ant žemės.
2. Oro filtrą švelniai traukite į viršų, kad išimtumėte iš plastikinio laikiklio. (Žr. 16 pav.)
3. Švelniai skalaukite vandeniu kriauklėje ir nušluostykite medžiaginiu rankšluosčiu prieš vėl įdėdami.
4. Filtrą vėl įdėkite taip, kad šiurkštus juodas filtras būtų nukreiptas į židinio priekį.
5. Vėl įdėkite kurą imituojančią plokštę.

Papildoma informacija

PRIEŽIŪRA PARDAVIMO

Jūsų gaminiui suteikiama vienerių metų garantija nuo įsigijimo datos. Per šį laikotarpį įsipareigojame nemokamai sutaisyti ar pakeisti šį gaminį (išskyrus lempas ir atvejus, kai tai neįmanoma), jei gaminys buvo įrengtas ir naudojamas pagal šias instrukcijas. Šioje garantijoje numatytos jūsų teisės papildoma įstatymuose užtikrintas jūsų teisės, jų ši garantija nepaveikia.

Jei jums reikia informacijos po pardavimo arba pagalbos dėl šio gaminio, prašom apsilankyti svetainėje www.dimplex.co.uk, pasirinkti „Pagalba klientams“, arba skambinti mūsų pagalbos linija, tel. Nr. 0845 600 5111 (JK) ar 01 842 4833 (Airijos Respublika). Svetainėje taip pat galima įsigyti atsarginių dalių. Kaip pirkimo įrodymą prašom pasilikti kvitą.

IŠMETIMAS



Europos Bendrijoje parduodami elektriniai prietaisai: pasibaigus elektrinių prietaisų naudojimo laikui, jų negalima išmesti su buitinėmis atliekomis. Prašom atiduoti perdirbti, jei teikiama tokia paslauga. Dėl išmetimo jūsų šalyje pasitarkite su vietine institucija ar pardavėju.

PATENTAI / PATENTINĖS PARAIŠKOS

„Optimyst“ serijos gaminiai saugomi pagal vieną ar kelis toliau nurodytus patentus ir patentines paraiškas:

Didžioji Britanija: GB 2402206, GB 2460259, GB 2460453, GB 2418014, GB 2465738, GB 2449925, GB 2465537, GB 2455277, GB 1020534.2, GB 1020537.5, GB 1110987.3

Jungtinės Valstijos: US 7967690, US 2010299980, US 2011062250, US 2008028648, US 13/167, 042

Rusija: RU 2008140317

Europa: EP 2029941, EP 2201301, EP 2315976, EP 1787063, EP 07723217.1, EP 11170434.2, EP 11170435.9

Kinija: CN 101883953, CN 200980128666.2, CN 101057105, CN 101438104

Australija: AU 2009248743, AU 2007224634

Kanada: CA 2725214, CA 2579444, CA 2645939

Tarptautinė patentinė paraiška: WO 2006027272

Pietų Afrika: ZA 200808702

Meksika: MX 2008011712

Korėja: KR 20080113235

Japonija: JP 2009529649

Brazilija: BR P10708894-9

Indija: IN 4122/KOLNP/2008

Naujoji Zelandija: NZ 571900

Trikčių šalinimas

Požymis	Priežastis	Ką daryti
Neįsijungia liepsnų efektas.	Kištukas neįkištas į maitinimo tinklą. Mažai vandens. Netinkamai prijungta žemosios įtampos jungtis. (Žr. 5 pav.) Keitiklis netinkamai įdėtas į bakelį.	Patikrinkite, ar kištukas tinkamai įkištas į sieninį lizdą. Patikrinkite, ar vandens talpykla pilna ir ar bakelyje yra vandens. Patikrinkite, ar tinkamai įkišta jungtis. (Žr. 5 pav.) Įsitikinkite, ar keitiklis remiasi į bakelyje esančią suformuotą įdubą.
Liepsnų efektas yra per žemas.	Per mažai atsukta liepsnų efekto valdymo rankenėlė. (Žr. 10 pav.) Keitiklyje esantis metalinis diskas gali būti nešvarus. (Žr. 14 pav.) Keitiklio laidas guli ant metalinio disko.	Padidinkite liepsnų intensyvumą, C valdymo rankenėlę lėtai sukdami į kairę. (Žr. 10 pav.) Pateiktu minkštu šepetėliu nuvalykite metalinį diską. (Žr. 14 pav.). Visi procedūros veiksmai nurodyti skyriuje „Priežiūra“. Laidą nukreipkite į bakelio nugarėlę, užtikrinkite, kad jis laikysis iš bakelio išeinančioje šoninėje išpjovoje.
Nenaudojant prietaiso, sklinda nemalonus kvapas.	Vanduo yra nešvarus arba užsistovėjęs. Naudojamas nefiltruotas vanduo iš čiaupo.	Išvalykite prietaisą, kaip aprašyta skyriuje apie priežiūrą. Naudokite tik filtruotą vandenį iš čiaupo.
Liepsnų efektas generuoja per daug dūmų.	Liepsnų efektas pernelyg intensyvus.	Liepsnų efekto C valdymo rankenėlę sukite į dešinę po maždaug ¼ pasukimo. Šiek tiek palaukite, kol liepsnų generatorius prisitaikys prie naujo nustatymo. (Žr. 10 pav.)
Neveikia pagrindinės lempos, nėra nei liepsnų, nei dūmų.	Vandens talpykloje nėra vandens.	Vykdykite nurodymus, pateiktus skyriaus Priežiūra skirsnyje „Vandens talpyklos pripildymas“. Patikrinkite, ar kištukas tinkamai įkištas į sieninį lizdą, ar A jungiklis (10 pav.) nustatytas į padėtį ĮJUNGTA (I).

Úvod

Ďakujeme, že ste si vybrali tento elektrický krb Dimplex. Pozorne si prečítajte tento informačný návod, aby ste dokázali bezpečne nainštalovať, používať a udržiavať svoj výrobok.

Dôležité bezpečnostné odporúčanie

Pri používaní elektrických zariadení je nutné vždy dodržiavať základné preventívne opatrenia, aby sa znížilo riziko požiaru, úrazu elektrickým prúdom a zranenia osôb. Medzi tieto opatrenia patrí nasledujúce:

1. UPOZORNENIE

Neumiestňujte na zariadenie žiadne predmety ani časti oblečenia. Neobmedzujte prúdenie vzduchu okolo zariadenia. Na zariadení je upozornenie NEODOKRÝVAŤ.



2. POŠKODENIE

Ak je zariadenie poškodené, pred inštaláciou a používaním sa obráťte na dodávateľa.

Ak je napájací kábel poškodený, musí byť vymenený výrobcom alebo servisným zástupcom, prípadne podobne kvalifikovanou osobou, aby sa predišlo rizikám.

3. UMIESTNENIE

Nepoužívajte vonku.

Nepoužívajte v blízkosti vane, sprchy ani bazéna.

Neumiestňujte krb priamo pod elektrickú zásuvku ani rozvodnú skrinku.

Zaistite, aby bol nábytok, záclony alebo iné horľavé materiály minimálne 1 meter od zariadenia.

4. UMIESTNENIE ZÁSTRČKY

Zariadenie musí byť umiestnené tak, aby bol vždy okamžitý prístup k zástrčke.

Napájací kábel umiestnite tak, aby sa nenachádzal pred zariadením.

5. ODPOJENIE

V prípade poruchy odpojte zariadenie.

Zariadenie odpojte, ako ho nebudete dlhšiu dobu používať.

6. VLASTNÍK/POUŽÍVATEĽ

Toto zariadenie nie je určené deťom ani osobám so zníženými fyzickými, zmyslovými a duševnými schopnosťami, osobám bez skúseností a vedomostí, ak pri nich nie je dozor, prípadne im neboli poskytnuté pokyny na používanie zariadenia od osoby, ktorá je zodpovedná za ich bezpečnosť. Na deti je potrebné dať pozor, aby sa so zariadením nehrali.

7. ELEKTRINA

UPOZORNENIE – TOTO ZARIADENIE MUSÍ BYŤ UZEMNENÉ.

Toto zariadenie môže byť napájané len striedavým prúdom a napätie vyznačené na zariadení sa musí zhodovať s napätím v zásuvke.

Pred zapnutím si prečítajte bezpečnostné odporúčania a pokyny na obsluhu.

UPOZORNENIE – V rámci prevencie pred prehriatím nijako zariadenie nezakrývajte.

Všeobecné informácie

V zariadení sa môže používať len filtrovaná voda.

Tento model je navrhnutý tak, že môže voľne stáť a byť bežne umiestnený v blízkosti steny.

Vždy sa uistite, či je zariadenie položené na rovnom povrchu.

Poznámka: Pri používaní v prostredí, v ktorom je veľmi nízka hlučnosť, môže byť počuť zvuk, ktorý súvisí s používaním efektu plameňa. Je to normálne a nemusíte sa nijako znepokojovať.

Ak sa na výrobku vyskytne prepätie z akéhokoľvek dôvodu, činnosť výrobku sa môže prerušiť. Je to bežná bezpečnostná funkcia a po 30 sekundách bude výrobok znova fungovať.

Po nainštalovaní výrobok nikdy nepresúvajte ani nenakláňajte dozadu bez vyprázdnenia vane a zásobníka na vodu. Ak zamýšľate nepoužívať zariadenie dlhšie ako 2 týždne, vyprázdnite vaňu a zásobník na vodu a vaňu utrite do sucha.

Zásobník na vodu, vaňa, veko vane, veko zásobníka a vzduchové filtre je potrebné čistiť každé dva týždne, najmä v oblastiach, kde je tvrdá voda.

Zariadenie nesmie byť nikdy používané, ak nefungujú lampy.

Lampy je potrebné pravidelne kontrolovať, ako je to opísané v časti „Údržba“ a „Výmena lúčov“.

Pokyny na inštaláciu

V tejto časti je vysvetlené, ako krb nainštalovať.

PRED TÝM NEŽ ZAČNETE

1. Zabezpečte odstránenie všetkých častí obalu (pozorne si prečítajte všetky štítky s upozornením) a obal si odložte pre prípad, že ho budete potrebovať napríklad pri sťahovaní alebo vrátení zariadenia dodávateľovi.
2. Pred zapojením do elektrickej zásuvky skontrolujte, či je napätie v zásuvke rovnaké, ako je vyznačené na zariadení.

INŠTALÁCIA

Položte zariadenie k stene.

Zapojenie jednotky transduktora a lúčovej jednotky

1. Otočením o 90 stupňov uvoľníte dve červené západky. (pozri Obr. 2)
2. Vytiahnite vaňovú trysku. (Obr. 3)
3. Vložte lampy do držiakov (Obr. 4), pozorne zasuňte kolíky do otvorov. (Obr. 4a)
4. Pevne lampy zatlačte na miesto.
5. Vložte jednotku transduktora do vane a zapojte káble do konektora na vani. (Obr. 5)
6. Ak je jednotka transduktora správne umiestnená vo vani, západka na jednotke transduktora by mala byť v rovine s vyhláseným výčnelkom vo vani. (Obr. 5a)
7. Uistite sa, či nie je kábel umiestnený nad diskom na jednotke transduktora (Obr. 5b). Je potrebné zabrániť, aby sa kábel nezasekol medzi tryskou a vaňou. Umiestnite kábel do štrbiny v stene vane.
8. Nasadte naspäť vaňovú trysku a zaistite ju otočením dvoch červených západiek o 90 stupňov. (Obr. 6)

Naplnenie zásobníka na vodu

9. Položte zásobník na vodu do umývadla a odnímate veko (otvorte otočením proti smeru hodinových ručičiek). (Obr. 7)
10. Naplňte zásobník na vodu **výhradne filtrovanou vodou**. Je to potrebné z hľadiska predĺženia výdrže efektu plameňa a dymu, ktoré výrobok produkuje. Voda musí byť prefiltrovaná cez bežnú domácu filtračnú jednotku a filter by mal byť pravidelne vymieňaný. Destilovanú vodu **nie je nutné** používať.
11. Zatočte naspäť veko – **nepretočte ho**.
12. Vložte zásobník na vodu do vane. Veko zásobníka musí smerovať nadol a plochý bok zásobníka má smerovať von. (Obr. 8)

Zostavenie krbu

13. Položte rošt na zásobník na vodu a dymovú trysku. (Obr. 9)

Zapojte napájací kábel do príslušného konektora napájania na zadnej strane zariadenia a druhý koniec zapojte do elektrickej zásuvky (13 A, 240 V). Zariadenie je teraz pripravené na použitie.

Ovládanie krbu


V tejto časti je vysvetlené, ako aktivovať krb pomocou ručného ovládania alebo diaľkového ovládania.

RUČNÉ OVLÁDANIE

Ručné ovládanie je umiestnené pod klapkou.
(Vzhľad ručného ovládania nájdete na Obr. 10)

Prepínač „A“: Ovláda prívod elektriny do krbu.

Poznámka: Ak má krb fungovať, tento prepínač musí byť v polohe „ON“ (I).

Prepínač „B“: Raz stlačte , zapnete tým efekt ohňa. Bude to signalizované pípnutím. Hoci kontrolka napájania sa rozsvieti okamžite, efekt plameňa sa spustí do 30 sekúnd.

Stlačením tlačidla  vrátite krb do pohotovostného režimu. Bude to signalizované pípnutím.

Ovládací gombík „C“: Ovláda sa ním intenzita efektu plameňa.

Otáčaním ovládacieho gombíka doľava zväčšujete efekt plameňa., otáčaním ovládacieho gombíka doprava efekt plameňa znižujete.


DOSIAHNUTIE POŽADOVANÉHO EFEKTU PLAMEŇA

1. Ovládací gombík plameňa „C“ (Obr. 10) môže byť otáčaný nahor alebo nadol, aby sa dosiahol realistickejší efekt.
2. Zvyčajne platí, že plameň sa javí realistickejšie, keď je ovládanie plameňa dole.
3. Nechajte chvíľu, kým generátor plameňa zareaguje na zmeny, ktoré urobíte.
4. Zariadenie využíva menšie množstvo vody, ak je efekt plameňa nastavený na nižšiu úroveň (ovládací gombík „C“).
5. Kým je voda v zásobníku alebo vo vani, zariadenie nenakláňajte ani ho nepremiestňujte.
6. Zaistite, aby zariadenie stálo na podlahe.

POUŽÍVANIE DIAĽKOVÉHO OVLÁDANIA

Ak chcete používať diaľkové ovládanie, musí byť prepínač A (pozri Obr. 10) na ovládacom paneli v polohe „ON“ (I). Na diaľkovom ovládaní sú 3 tlačidlá. (Pozri Obr. 12) Pre správne používanie diaľkového ovládania je potrebné, aby bolo nasmerované na prednú stranu roštu. (Pozri Obr. 17). Funkcie diaľkového ovládania sú nasledujúce:

I Jedným stlačením zapnete efekt plameňa.
Bude to signalizované pípnutím.

 Pohotovostný režim
Bude to signalizované pípnutím.

Údržba

VŠEOBECNÉ TIPY

V zariadení sa môže používať len filtrovaná voda.

Vždy sa uistite, či je zariadenie položené na rovnom povrchu.

Ak zamýšľate nepoužívať zariadenie dlhšie ako 2 týždne, vyprázdňte vaňu a zásobník na vodu.

Po nainštalovaní výrobok nikdy nepresúvajte ani nenakláňajte dozadu bez vyprázdnenia vane a zásobníka na vodu.

Zariadenie nesmie byť nikdy používané, ak nefungujú lampy.

Lampy je potrebné pravidelne kontrolovať, ako je to opísané v časti „Výmena lúč“.

NAPLNENIE ZÁSOBNÍKA NA VODU

Keď je zásobník na vodu prázdny, efekt plameňa a dymu sa vypne a začujete 2 pípnutia. Postupujte takto.

1. Dajte prepínač „A“ do polohy (0). (Pozri Obr. 10)

2. Opatrne zodvihnite rošt a položte ho nabok.

3. Vytiahnutím nahor vyberte zásobník na vodu.

4. Položte zásobník na vodu do umývadla a odnítte veko. Otvorte otočením proti smeru hodinových ručičiek. (Obr. 7)

5. Naplňte zásobník **výhradne filtrovanou vodou**. Je to potrebné z hľadiska predĺženia výdrže efektu plameňa a dymu, ktoré výrobok produkuje.

Voda musí byť prefiltrovaná cez bežnú domácu filtračnú jednotku a filter by mal byť pravidelne vymieňaný.

6. Zatočte naspäť veko – nepretočte ho.

7. Vložte zásobník do vane. Veko zásobníka musí smerovať nadol a plochý bok zásobníka má smerovať von. (Obr. 8)

8. Opatrne položte rošt naspäť na svoje miesto. (Obr. 9)

9. Dajte prepínač „A“ do polohy „ON“ (I). (Pozri Obr. 10)

VÝMENA LÁMP

Ak sa vám zdá, že efekt plameňa a dymu zosiveli alebo vybledli farby, môže to byť preto, lebo jedna alebo viaceré lampy nefungujú.

Poruchu lampy môžete overiť nasledovne.

1. Nechajte efekt plameňa zapnutý, vytiahnite rošt a zásobník na vodu.

2. S tryskou ponechanou na mieste by sa mali dať pohľadom skontrolovať lampy a zistiť, ktorú je potrebné vymeniť.

3. Dajte prepínač „A“ do polohy „OFF“ (0) a odpojte krb z elektrickej zásuvky.

4. Nechajte zariadenie vypnuté po dobu 20 minút, kým lampy nevychladnú, až potom ich môžete vytiahnuť.

5. Vytiahnite vaňu, ako je vysvetlené v časti Čistenie.

6. Vytiahnite chybnú lampu – opatrne ju nadvihnite v zvislom smere a odpojte kolíky z držiaku lampy. (Pozri Obr. 4 a 4a).

Nasaďte novú farebnú lampu Dimplex Optimyst, 12 V, 45 W, päťica Gu5.3, 8° uhol lúča.

7. Pozorne zasuňte dva kolíky na novej lampe do dvoch otvorov v držiaku lampy. Pevne zatlačte na miesto. (Pozri Obr. 4 a 4a).

8. Nasaďte naspäť vaňu, trysku, zásobník na vodu a rošt.

ČISTENIE

Upozornenie – Pred čistením krbu dajte prepínač „A“ do polohy „OFF“ (0) (Obr. 10) a odpojte zariadenie z elektrickej zásuvky.

Nasledujúce súčasti odporúčame čistiť každé 2 týždne, najmä v oblastiach s tvrdou vodou:

Zásobník na vodu, vaňa, tryska, veko zásobníka a tesnenie, vzduchový filter.

Pri bežnom čistení používajte mäkkú čistú prachovku – nikdy nepoužívajte brúsne čistenie.

Ak je potrebné odstrániť akýkoľvek nahromadený prach alebo chumáče, občas je možné použiť vysávač s mäkkou štetkou.

Zásobník na vodu

1. Vytiahnite zásobník na vodu, ako bolo vysvetlené predtým, položte ho do umývadla a vylejte vodu.
2. Pomocou k výrobku priloženej kefy opatrne vyčistite vnútorný povrch veka, dávajte najmä pozor na gumový krúžok v obvodovej štrbine a stredové gumové tesnenie.
3. Do zásobníka dajte malé množstvo čistiaceho prostriedku, nasadte naspäť veko a poriadne zatraste a krúžte, kým sa čistiaci prostriedok nedostane všade.
4. Naplňte znova zásobník výhradne filtrovanou vodou a nasadte naspäť veko (nepretočte ho).

Vaňa

1. Dajte prepínač „A“ do polohy „OFF“ (0).
2. Opatrne vytiahnite rošt a položte ho na zem.
3. Vytiahnutím nahor vyberte zásobník na vodu.
4. Odpojte od elektrického konektora umiestneného na pravom boku vane. (Pozri Obr. 5).
5. Uvoľnite vaňu otočením západiek na pravej strane o 90 stupňov. Vďaka tomu sa bude dať vaňa úplne vytiahnuť.
6. Opatrne vytiahnite vaňu. Dávajte pozor na hladinu vody, aby ste sa neobliali. Vložte do umývadla.
7. Uvoľnite ľavú západku na vani otočením o 90 stupňov, potom vytiahnite trysku. (Pozri Obr. 3)
8. Vytiahnite transduktor a opatrne ho nakloňte, ako je znázornené na obrázku, aby sa tekutina vyliala z vane. (Pozri Obr. 13)
9. Dajte do vane malé množstvo čistiaceho prostriedku a pomocou k výrobku priloženej kefy opatrne vyčistite všetky povrchy vane. Opatrne vyčistite transduktor vrátane kovových diskov umiestnených v štrbinách povrchu hore. (Pozri Obr. 14)
10. Pri čistení poriadne vypláchnite vaňu čistou vodou, aby sa odstránili všetky stopy čistiaceho prostriedku.
11. Vyčistite trysku kefou a poriadne ju vypláchnite vodou. (Pozri Obr. 15)
12. Zmontujte opačným postupom.

Vzduchový filter

1. Opatrne vytiahnite rošt a položte ho na zem.
2. Opatrne vytiahnite vzduchový filter smerom nahor z plastového držiaka. (Pozri Obr. 16)
3. Jemne v umývadle vypláchnite vodou a pred opätovným nasadením vysušte tkaninou.
4. Nasadte filter naspäť, uistite sa, či drsný čierny povrch filtra smeruje do prednej časti krbu.
5. Nasadte naspäť rošt.

Ďalšie informácie

ZÁRUČNÝ SERVIS

Na výrobok sa poskytuje záruka po dobu jedného roka odo dňa zakúpenia. V rámci toho obdobia sa zaväzujeme bezplatne opraviť alebo vymeniť tento výrobok (okrem lúčok a podľa dostupnosti), ak bol nainštalovaný a používaný v súlade s týmito pokynmi. Vaše práva v rámci tejto záruky týmto dopĺňajú vaše zákonné práva, ktoré nie sú touto zárukou ovplyvnené.

Ak potrebujete v rámci záruky informácie alebo pomoc s týmto výrobkom, prejdite na stránku www.dimplex.co.uk a vyberte položku „Customer Support“, prípadne zavolajte na zákaznícku linku na čísle 0845 600 5111 (Spojené kráľovstvo) alebo 01 842 4833 (Írsko). Náhradné diely sú tiež k dispozícii na webovej stránke. Uschovajte si potvrdenku ako doklad o kúpe.

RECYKLÁCIA



Pre elektrické prístroje predávané v rámci Európskej únie – Po skončení životnosti nesmú byť elektrické prístroje likvidované spolu s domovým odpadom. Recyklujte ich tam, kde sú na to recyklačné zariadenia. Odporúčania na recykláciu vo vašej krajine vám poskytnú miestne úrady alebo predajca.

PATENT/PATENTOVÉ PODANIE

Výrobky radu Optimyst sú chránené jedným alebo viacerými nasledujúcimi patentmi a patentovými podaniami:

Veľká Británia GB 2402206, GB 2460259, GB 2460453, GB 2418014, GB 2465738, GB 2449925, GB 2465537, GB 2455277, GB 1020534.2, GB 1020537.5, GB 1110987.3

USA US 7967690, US 2010299980, US 2011062250, US 2008028648, US 13/167, 042

Rusko RU 2008140317

Európa EP 2029941, EP 2201301, EP 2315976, EP 1787063, EP 07723217.1, EP 11170434.2, EP 11170435.9

Čína CN 101883953, CN 200980128666.2, CN 101057105, CN 101438104

Austrália AU 2009248743, AU 2007224634

Kanada CA 2725214, CA 2579444, CA 2645939

Medzinárodné patentové podanie WO 2006027272

JAR ZA 200808702

Mexiko MX 2008011712

Kórea KR 20080113235

Japonsko JP 2009529649

Brazília BR P10708894-9

India IN 4122/KOLNP/2008

Nový Zéland NZ 571900

Riešenie problémov

Príznak	Príčina	Akcia opravy
Efekt plameňa sa nespustí.	Nie je zapojená zástrčka do elektrickej zásuvky. Nízka hladina vody. Konektor nízkeho napätia nie je správne zapojený. (Pozri Obr. 5) Jednotka transduktora nesedí správne vo vani.	Skontrolujte, či je zástrčka správne zapojená do elektrickej zásuvky. Skontrolujte, či je zásobník na vodu plný a či je voda vo vani. Skontrolujte, či je konektor zapojený správne. (Pozri Obr. 5) Uistite sa, či je jednotka transduktora dobre osadená do vylisovaného výčnelku.
Efekt plameňa je príliš malý.	Ovládací gombík efektu plameňa je nastavený príliš nízko. (Pozri Obr. 10) Môže byť znečistený kovový disk v transduktore. (Pozri Obr. 14) Kábel z jednotky transduktora je umiestnený na kovovom disku.	Zvýšte úroveň plameňa pomalým otáčaním ovládacieho gombíka „C“ doľava. (Pozri Obr. 10) Vyčistite kovový disk mäkkou kefkou, ktorá bola pribalená. (Pozri Obr. 14) Podrobný postup nájdete v časti „Údržba“. Uložte kábel do zadnej časti vane a uistite sa, či sedí v bočnej štrbine vychádzajúcej z vane.
Pri používaní vychádza nepríjemný zápach.	Znečistená alebo zatuchnutá voda. Používa sa nefiltrovaná voda.	Vyčistite jednotku, ako je vysvetlené v časti „Údržba“. Používajte len filtrovanú vodu.
Efekt plameňa je príliš dymový.	Nastavenie efektu plameňa je príliš vysoké.	Točte postupne v krokoch asi o jednu štvrtinu ovládací gombík „C“ doprava. Nechajte generátoru plameňa trochu času, kým sa upraví na nové nastavenie. (Pozri Obr. 10)
Hlavné lampy nefungujú a nie je žiadny plameň ani dym.	V zásobníku na vodu nie je žiadna voda.	Postupujte podľa pokynov uvedených v časti Údržba , „Naplnenie zásobníka na vodu“. Skontrolujte, či je zástrčka správne zapojená do elektrickej zásuvky, a či je prepínač „A“ (Obr. 10) v polohe „ON“ (I).

DE - Garantie

Die nachstehenden Ausführungen über Umfang der Garantie, Garantiefristen und die Anmeldung von Garantieansprüchen gelten ausschließlich für die Bundesrepublik Deutschland.

Wir räumen dem Käufer nach seiner Wahl zusätzlich zu den ihm gegen den Verkäufer ausstehenden gesetzlichen Gewährleistungsansprüchen einen Anspruch nach Maßgabe der nachfolgenden Garantieverpflichtung ein:

I. Dauer und Beginn der Garantie

1. Grundsätzlich wird für jedes im Haushalt eingesetzte Gerät die auf der Garantiekarte ausgezeichnete Garantiezeit gewährt.
2. Bei gewerblicher Nutzung der von der Bauart her für den Haushalt bestimmten Geräte beträgt die Garantiezeit lediglich sechs Monate.
3. Die Garantie ist mit dem Zeitpunkt der Übergabe des Gerätes wirksam.
4. Bewahren Sie die vom Verkäufer ausgefüllte Garantie-Urkunde mit der Rechnung, dem Lieferschein oder einem anderen Kaufnachweis auf.
5. Durch Garantieleistungen tritt keine Verlängerung der ursprünglichen Garantiezeit ein.
6. Garantieansprüche können nur geltend gemacht werden, wenn die Mängelrüge innerhalb von 14 Tagen nach Entdeckung des Mangels schriftlich bei uns eingeht.

II. Inhalt und Umfang der Garantie

1. Ihr Gerät wird sorgfältig geprüft. Für den Fall, daß der Garantieanspruch zu Recht besteht, entscheiden wir, auf welche Art der Schaden behoben werden soll / wird. Im Reparaturfall sorgen wir für eine fachgerechte Ausführung.
2. Bei der Einsendung zur Reparatur sind Garantie-Urkunde und Kaufnachweis beizufügen.
3. Innerhalb der ersten sechs Monate erbringen wir die Garantieleistungen ohne Berechnung von Nebenkosten (Fahrt- und Wegzeitkosten, Fracht- und Verpackungskosten).
4. Darüber hinausgehende Ansprüche, insbesondere Schadenersatzansprüche, sind ausgeschlossen, soweit eine Haftung nicht gesetzlich angeordnet ist.

III. Einschränkungen der Garantie

1. Eine Garantie besteht nicht bei Fehlern oder Mängeln, die auf folgendes zurückzuführen sind:
 - a) Reparaturen und Abänderungen, die von nicht autorisierter dritter Stelle vorgenommen werden oder wurden;
 - b) äußere Einwirkungen, zum Beispiel Transportschäden, Beschädigungen durch Stoß oder Schlag, Schäden durch Witterungseinflüsse oder sonstige Naturerscheinungen;
 - c) unsachgemäße / fehlerhafte Bedienung oder Beanspruchung;
 - d) Verwendung von ungeeigneten Reinigungsmitteln, Chemikalien usw.
2. Die Garantie erstreckt sich nicht auf leicht zerbrechliche Teile, zum Beispiel Glas, Kunststoff, Glühlampen.
3. Geringfügige Änderungen gegenüber Prospekten oder Mustern oder früher gelieferter Ware gelten nicht als Mangel. Gleiches gilt bei lediglich geringfügigen Abweichungen von der Sollbeschaffenheit, die für Wert- und Gebrauchstauglichkeit des Gerätes unerheblich ist.
4. Im Ausland gelten die von unserer jeweils zuständigen Landesvertretung herausgegebenen Garantiebedingungen.

DE - Garantie Für dieses Gerät gelten die in dem Kaufland herausgegebenen Garantiebedingungen. Einzelheiten teilt Ihnen der Händler, bei dem Sie das Gerät gekauft haben, auf Anfrage jederzeit mit. Die Inanspruchnahme von Garantieleistungen setzt die Vorlage des Kaufbeleges und die Einhaltung der Garantiefrist voraus. Der Garantieanspruch verfällt, wenn das Gerät beschädigt, nicht sachgemäß benutzt oder unbefugte Eingriffe vorgenommen wurden.

UK - Warranty The warranty conditions in the country of purchase apply to this appliance. Information can be obtained at any time from the retailer from whom the appliance was purchased. For claims under guarantee the sales receipt must be produced and the claims must be forwarded within the guarantee period. The right to claim under guarantee expires in case that the device has been damaged, used in an inappropriate way or that unauthorized manipulations have been carried out.

FR - Garantie Pour cet appareil, les garanties applicables sont celles en vigueur dans le pays où a lieu l'achat. Votre revendeur vous en communiquera à tout moment les détails sur simple demande. La revendication au droit à la garantie est assujettie à la présentation de la preuve d'achat et du respect du délai de garantie. Le droit à la garantie expire lorsque l'appareil a été endommagé, utilisé de manière inadéquate ou que des interventions ont été effectuées par des tiers.

IT - Garanzia Per questo apparecchio valgono le condizioni di garanzia pubblicate nel Paese d'acquisto. I dettagli a riguardo vengono forniti, in ogni momento, su richiesta, dal rivenditore presso il quale viene acquistato l'apparecchio. Il diritto alla prestazione di garanzia ha come premessa l'esibizione dello scontrino di acquisto e l'osservanza del termine di garanzia. Il diritto alla copertura di garanzia non sussiste, se l'apparecchio è stato danneggiato, se non è stato utilizzato a regola d'arte e sono stati effettuati su di esso interventi non autorizzati.

ES - Garantía Para este aparato tienen validez las condiciones de garantía entregadas en el país de compra. En caso de preguntas, el vendedor al que usted compró el aparato, estará en todo momento dispuesto a informarle sobre los detalles al respecto. La solicitud de prestaciones que estén incluidas en las disposiciones de garantía presupone, que usted presente el ticket de compra y que haga su solicitud en el plazo de garantía. Los derechos de garantía caducan, si el aparato se ha dañado, si se ha utilizado de manera inadecuada, o si en él se han efectuado intervenciones desautorizadas.

PT - Garantia As condições de garantia do país de compra aplicam-se a este aparelho. Pode obter informação em qualquer altura do retalhista de onde adquiriu o aparelho. Todas as reclamações ao abrigo da garantia terão de se fazer acompanhar do documento comprovativo da compra e de serem enviadas dentro do período da garantia. O direito de reclamação ao abrigo da garantia expira no caso do aparelho ter sido danificado, utilizado de forma incorrecta ou de se terem efectuado manipulações não autorizadas.

NL - Garantie Voor dit apparaat gelden de in het koopland uitgegeven garantievoorwaarden. Details deelt U Uw dealer, waar U het apparaat heeft gekocht, op aanvraag altijd mee. De gebruikmaking van garantievoegingen vereist het overleggen van het koopbewijs en de nakoming van de garantietermijn. De garantieclaim vervalt, wanneer het apparaat werd beschadigd, niet juist werd gebruikt of onbevoegde ingrepen werden uitgevoerd.

DK - Garanti Apparatet er omfattet af de garantibetingelser, som er gældende i købslandet. Nærmere detaljer kan fås hos den forhandler, hvor du har købt apparatet. Der kan kun stottes ret på garantien ved forelæggelse af købskvittering og kun inden for garantiperioden. Garantien bortfalder, hvis apparatet er blevet beskadiget, anvendt forkert eller i tilfælde af uautoriseret indgreb i apparatet.

SE - Garanti För denna apparat gäller de för inköpslandet utgivna garantibestämmelserna. På förfrågan kan detaljerna i garantibestämmelserna erhållas från inköpsstället där apparaten har köpts. Om garantin tas i anspråk måste inköpskvitto kunna uppvisas inom garantitiden. Alla garantianspråk

NO - Garanti For dette apparatet gjelder kun de betingelsene som er offentliggjort i forretningen det er kjøpt. Detaljer ang. dette kan man til enhver tid få hos den fagforhandleren hvor du har kjøpt apparatet. For å ha fulle garantirettigheter må man kunne fremlegge kvitteringen og garantifristen må ikke være utløpt. Garantien gjelder ikke når apparatet er skadet, ikke er brukt etter forskriftene eller ukvalifiserte innrep er foretatt.

FI - Takuu Laitteella on ostomaassa voimassa olevat takuuehdot. Yksityiskohdat näistä ehdoista ilmoittaa sinulle kauppias, jolta olet laitteen ostanut. Takuusuorituksia voi vaatia takuuajan ollessa voimassa esittämällä ostodokumentin. Takuu ei ole voimassa, mikäli laitetta on käytetty sen ollessa vaurioitunut, sitä on käytetty väärin tai ammatitaidoton henkilö on korjannut laitetta.

PL - Gwarancja Dla tego urządzenia obowiązują warunki gwarancji wydane w kraju zakupu. W każdej chwili sprzedawca, u którego dokonano zakupu urządzenia, przekaże Państwu odpowiednią szczegółową Wykorzystanie świadczeń gwarancyjnych jest uwarunkowane przedłożeniem potwierdzenia zakupu i zachowaniem terminu gwarancji. Prawo do gwarancji przepada, gdy urządzenie zostanie uszkodzone, nieoprawnie używane lub dokonane zostaną niedozwolone manipulacje.

CZ - Záruka Pro tento přístroj jsou platné záruční podmínky, které byly vydány v zemi kupujícího. S podrobnostmi Vás kdykoliv na požádání seznámí Váš prodejce, u kterého jste přístroj zakoupili. Uznání záruky předpokládá předložení dokladu o koupi a dodržení záruční lhůty. Nárok na záruku propadá, je-li přístroj poškozený, neodborně provozovaný a nebo byly-li na něm provedeny neodborné zásahy.

LV - Garantijs Ģaī ierīci ir spēkā pirēja valstī izdotie garantijas noteikumi. Par to jūs sīkāk informācija saņemsiēt veikalā, kurā jūs do ierīci nopirkāt. Garantijas pieteikšanās jums ir nepieciešama pirkšanas kvīts. Bez tam ir svarīgi, lai garantijas termiņā nebūtu notēcijas. Garantijs netiek sniegta, ja jūs ierīci sabojājāt, ekspluatējāt neatbilstoši lietošanas instrukcijai, veicāt patvaļīgi demontāžu vai mēcinājāt padī to remontēt.

SI - Garancija Za to napravvo veljajo garancijski pogoji izdani v državi nakupa. Na vašo željo vas bo o podrobnostih kadarkoli obvestil trgovec, pri katerem ste kupili napravo. Pogoj za uveljavljanje storitev določenih v garanciji je predložitev računa in upoštevanje garancijskega roka. Pravica do garancije zapade, če je naprava poškodovana, če naprava ni bila ustrezno uporabljana ali če so bili izvedeni nepooblaščen posegi v napravo.

SK - Záruka Pre tento prístroj platia záručné podmienky vydané v krajine jeho zakúpenia. S podrobnosťami Vás na požiadanie kedykoľvek zoznámí predajca, u ktorého ste prístroj zakúpili. Nárok na záručné služby predpokladá predloženie dokladu o kúpe a dodržanie záručnej lehoty. Nárok na záruku zaniká, ak bol prístroj poškodený, neodbornou používaním alebo na ňom boli urobené neoprávnené zásahy.

LT - Garantija Ėiam prietaisui galioja pirmko dalyje ideistos garantijos slygos. Jums pasiteiravus bet kuriuo metu pardavėjas, pas kurą Jus pirkote prietaisf, informuos apie smulkmenas. Garantijos vykdymo pasinaudojimo slyga yra kasos čekio pateikimas ir garantinio termino idlaikymas. Garantinis reikalavimas pasibaigia, jeigu prietaisas sugadintas, netinkamai buvo naudotas arba buvo atlikti neleistini askidimai.

EE - Garanti Seadme kohta kehtivad selle riigi garantitingimused, kus seade on ostetud. Seadme edasimüüja annab Teile põhjalikku informatsiooni garantii üksikasjade kohta. Garantiteenuste osutamise aluseks garantiata jooksul on ostudokument. Garantii ei kehti, kui seade on kahjustunud, seda on kasutatud ebaosttarbiseiselt või seadet on demonteeritud.

HU - Garancia A készülékre a vásárlási országbán kiadott garanciális feltételek érvényesek. Ennek részleteiről kérésre szívesen nyújt információt az a kereskedő, akitől a készüléket vásárolta. A garanciális teljesítés igénybe vételének előfeltétele a vásárlási bizonylat bemutatása és a garanciális határidő betartása. A garanciális igény nem érvényes, ha a készülék sérült, nem szakszerűen használták vagy illetéktelen beavatkozásokot végeztek rajta.


HR - Jamstvo Uvjeti jamstva koji važe u državi kupnje važe i za ovaj uređaj. Podaci se mogu dobiti u svako doba od dobavljača od kojega ste kupili proizvod. Za zahtjeve po osnovi jamstva morate priložiti račun koji ste dobili pri kupnji, a zahtjev treba podnijeti u toku trajanja jamstvenog perioda. Pravo iz jamstva isticu u slučaju da je uređaj oštećen, korišten na neodgovarajući način ili su na njemu provedene neovlaštene popravke.

GR - Εγγύηση Για την παρούσα συσκευή ισχύουν οι κανονισμοί εγγύησης του ισχύουσιν στην χώρα όπου αγοράστηκε. Λεπτομέρειες για τις παρεχόμενες υπηρεσίες που περιλαμβάνονται στην εγγύηση είναι η αποδείξη αγοράς και η τήρηση της προθεσμίας εγγύησης. Η εγγύηση εκπίπτει εφόσον η συσκευή υπέστη βλάβη, δεν χρησιμοποιήθηκε ορθά ή έλαβαν χώρα επεμβάσεις σε αυτή από μη εξουσιοδοτημένο πρόσωπο.

BG - гаранция За настоящия уред вадат гаранционните условия, валидни за страната, в която е купен. С подробностите ще Ви запознае продавачът, от който сте купили уреда и към който Вие можете да се обърнете по всяко време. За да се предоставят гаранционни услуги, е необходимо да се представи документът за закупуване и да не е изтекъл гаранционният срок. Гаранцията се губи, ако уредът е повреден, неправилно използван или с недопустими изменения.

RU - Гарантия В отношении этого прибора действительны условия гарантии, предоставленные в стране приобретения. Более подробную информацию по вашему запросу в любое время предоставит магазин, в котором вы приобрели прибор. Для гарантийного обслуживания необходимо в течение гарантийного срока предъявить квитанцию о покупке. Гарантия утрачивает силу, если прибор был поврежден, использовался ненадлежащим образом или был подвергнут недовольным вмешательствам.

KZ Кепілдік Мынау аспапқа сатып алған мемлекетте шыққан гарантиялы шарттар жарамды. Аспапты сатып алған сатушыны сұратсаңыз, әрдайым нақтылықтарды айтып береді. Гарантиялы міндеттемені пайдалану үшін сатып алған қаспалық чекі болуы және гарантиялы мерзімін өткізіп алмауы керек. Аспап сынық, дұрыс пайдаланбаған немесе арнаулы емес талдаулар өткізілген болса гарантия правосы жарамсыз.

1. Warranty Card 	2. Guarantee Period (in Years) 2	3. Model(s)	4. Date of Purchase								
5. Stamp & Signature of retailer	6. Fault/Defect										
7. Contact Number & Address <table border="0" style="width: 100%;"> <tr> <td style="width: 25%; vertical-align: top;"> DE Glen Dimplex Deutschland GmbH ewt-Kundendienst ☎ +49 (911) 1805 / 398 346 Fax. +49 (911) 1805 / 355 467 (14Ct./Min aus dem dt. Festnetz) Mobilfunkpreise koennen abweichen service@glendimplex.de </td> <td style="width: 25%; vertical-align: top;"> UK www.dimplex.co.uk ☎ (+44) 0845 600 5111 Fax. (+44) 01489 773050 A division of the GDC Group Ltd. </td> <td style="width: 25%; vertical-align: top;"> NO Glen Dimplex Nordic HAVNEGATA 24, N 7500, Stjørdal, Norway. +(47) 74 82 91 00 Fax: +(47) 74 82 91 01 www.glendimplex.no email@glendimplex.no </td> <td style="width: 25%; vertical-align: top;"> IT Glen-Dimplex Italia S.r.l. via delle Rose 7, 24040 Iallio (BG) ☎ 035-201042 Fax. 035-200492 info@glendimplex.it </td> </tr> <tr> <td style="vertical-align: top;"> ES Glen Dimplex España S.L. C/ Bailén, 20, 4º, 2ª e-08010 BARCELONA ☎ (+34) 93.238.61.59 Fax. (+34) 932384375 </td> <td style="vertical-align: top;"> NL Glen Dimplex Benelux B.V. – Netherlands Antennestraat 84 1322 AS Almere, Nederland E-mail: info@glendimplex.nl www.glendimplex.nl </td> <td style="vertical-align: top;"> FR Glen Dimplex France ZI Petite Montagne Sud 12 rue des Cévennes 91017 EVRY - LISSES www.glendimplex-france.fr </td> <td></td> </tr> </table>				DE Glen Dimplex Deutschland GmbH ewt-Kundendienst ☎ +49 (911) 1805 / 398 346 Fax. +49 (911) 1805 / 355 467 (14Ct./Min aus dem dt. Festnetz) Mobilfunkpreise koennen abweichen service@glendimplex.de	UK www.dimplex.co.uk ☎ (+44) 0845 600 5111 Fax. (+44) 01489 773050 A division of the GDC Group Ltd.	NO Glen Dimplex Nordic HAVNEGATA 24, N 7500, Stjørdal, Norway. +(47) 74 82 91 00 Fax: +(47) 74 82 91 01 www.glendimplex.no email@glendimplex.no	IT Glen-Dimplex Italia S.r.l. via delle Rose 7, 24040 Iallio (BG) ☎ 035-201042 Fax. 035-200492 info@glendimplex.it	ES Glen Dimplex España S.L. C/ Bailén, 20, 4º, 2ª e-08010 BARCELONA ☎ (+34) 93.238.61.59 Fax. (+34) 932384375	NL Glen Dimplex Benelux B.V. – Netherlands Antennestraat 84 1322 AS Almere, Nederland E-mail: info@glendimplex.nl www.glendimplex.nl	FR Glen Dimplex France ZI Petite Montagne Sud 12 rue des Cévennes 91017 EVRY - LISSES www.glendimplex-france.fr	
DE Glen Dimplex Deutschland GmbH ewt-Kundendienst ☎ +49 (911) 1805 / 398 346 Fax. +49 (911) 1805 / 355 467 (14Ct./Min aus dem dt. Festnetz) Mobilfunkpreise koennen abweichen service@glendimplex.de	UK www.dimplex.co.uk ☎ (+44) 0845 600 5111 Fax. (+44) 01489 773050 A division of the GDC Group Ltd.	NO Glen Dimplex Nordic HAVNEGATA 24, N 7500, Stjørdal, Norway. +(47) 74 82 91 00 Fax: +(47) 74 82 91 01 www.glendimplex.no email@glendimplex.no	IT Glen-Dimplex Italia S.r.l. via delle Rose 7, 24040 Iallio (BG) ☎ 035-201042 Fax. 035-200492 info@glendimplex.it								
ES Glen Dimplex España S.L. C/ Bailén, 20, 4º, 2ª e-08010 BARCELONA ☎ (+34) 93.238.61.59 Fax. (+34) 932384375	NL Glen Dimplex Benelux B.V. – Netherlands Antennestraat 84 1322 AS Almere, Nederland E-mail: info@glendimplex.nl www.glendimplex.nl	FR Glen Dimplex France ZI Petite Montagne Sud 12 rue des Cévennes 91017 EVRY - LISSES www.glendimplex-france.fr									

UK

1. Warranty Card
2. Guarantee Period (in Years)
3. Model(s)
4. Date of Purchase
5. Stamp & Signature of retailer
6. Fault/Defect
7. Contact Number & Address

DE

1. Garantiekarte
2. Garantiezeitraum (in Jahre)
3. Modell(e)
4. Kaufdatum
5. Stempel & Unterschrift des Einzelhändlers
6. Fehler/Defekt
7. Kontakt-Tel.-Nr. & - Anschrift

FR

1. Bon de garantie
2. Période de garantie (en années)
3. Modèle(s)
4. Date d'achat
5. Cachet et signature du vendeur
6. Anomalie/Défaut
7. Nom et adresse du contact

IT

1. Scheda di garanzia
2. Periodo di garanzia (in anni)
3. Modello(i)
4. Data di acquisto
5. Timbro e firma del rivenditore
6. Guasto/difetto
7. Indirizzo e numero di contatto

ES

1. Tarjeta de garantía
2. Período de garantía (en años)
3. Modelo(s)
4. Fecha de adquisición
5. Sello y firma del distribuidor
6. Avería/Defecto
7. Número y dirección de contacto

PT

1. Cartão de Garantia
2. Período de Garantia (em anos)
3. Modelo(s)
4. Data de Compra
5. Carimbo e Assinatura do retalhista
6. Falha/Defeito
7. Número de Contacto e Morada

NL

1. Garantiebewijs
2. Garantieperiode (in jaren)
3. Model(len)
4. Aankoopdatum
5. Stempel & Ondertekening detaillist
6. Fout/Defect
7. Telefoonnummer & Adres

DK

1. Garantikort
2. Garantiperiode (i år)
3. Model(ler)
4. Købsdato
5. Detailhandlers stempel & underskrift
6. Fejl/defekt
7. Kontaktnummer & -adresse

SE

1. Garantikort
2. Garantitid (i år)
3. Modell(er)
4. Inköpsdag
5. Återförsäljarens stämpel och underskrift
6. Fel
7. Telefonnummer och adress för kontakt

NO

1. Garantikort
2. Garantiperiode (i år)
3. Modell(er)
4. Kjøpsdato
5. Selgers stempel og signatur
6. Feil/defekt
7. Kontaktnummer og adresse

FI

1. Takuukortti
2. Takuu aika (vuosina)
3. Malli(t)
4. Ostopäivämäärä
5. Myyntiliikkeen leima ja allekirjoitus
6. Vika/vaurio
7. Yhteysnumero ja osoite

PL

1. Karta gwarancyjna
2. Okres gwarancji (w latach)
3. Model(e)
4. Data zakupu
5. Pieczęć i podpis sprzedawcy
6. Usterka
7. Telefon i adres kontaktowy

CZ

1. Záruční list
2. Záruční doba (roky)
3. Model(y)
4. Datum zakoupení
5. Razítko a podpis prodejce
6. Porucha/chyba
7. Kontaktní číslo a adresa

LV

1. Garantijas talons
2. Garantijas periods (gadi)
3. Modelis(li)
4. Legades datums
5. Mazumtirgotāja zīmogs un paraksts
6. Bojājums/defekts
7. Kontakttālrunis un adrese

SI

1. Garancijski list
2. Obdobje veljavnosti garancije (v letih)
3. Model(i)
4. Datum nakupa
5. Žig in podpis prodajalca
6. Pomanjkljivost/okvara
7. Kontaktna številka in naslov

SK

1. Záručný list
2. Záručné obdobie (v rokoch)
3. Model(y)
4. Dátum kúpy
5. Pечат & Podpis obchodníka
6. Porucha/závada
7. Kontaktné číslo & adresa

LT

1. Garantijos kortele
2. Garantijos laikotarpis (metais)
3. Modelis (modeliai)
4. Pirkimo data
5. Prekybininko antspaudas ir parašas
6. Gedimas / defektas
7. Numeris ir adresas kontaktams

EE

1. Garantikaart
2. Garantiaeg (aastates)
3. Mudel(id)
4. Ostukuupäev
5. Kaupluse tempel & allkirri
6. Viga/defekt
7. Kontaktnumber & aadress

HU

1. Garancialevél
2. Garancia idotartama (években)
3. Modell(ek)
4. Vásártás időpontja
5. Eladó bélyegzője és aláírása
6. Hiba/Hiány megnevezése
7. Értéktési telefonszám és cím

HR

1. Jamstvena kartica
2. Jamstveni period (u godinama)
3. Model(i)
4. Datum kupnje
5. Pечат i potpis dobavljača
6. Kvar/defekt
7. Broj i adresa za kontakt

GR

1. Κάρτα εγγύησης
2. Περίοδος ισχύος της εγγύησης (έτη)
3. Μοντέλο(α)
4. Ημερομηνία αγοράς
5. Σφραγίδα και υπογραφή εμπόρου
6. Σφάλμα/Ελάττωμα
7. Αριθμός τηλεφώνου και διεύθυνση επικοινωνίας

BG

1. Гаранционна карта
2. Гаранционен период (в години)
3. Модел(и)
4. Дата на покупка
5. Печат и подпис на търговеца
6. Неизправност/Дефект
7. Адрес и телефон за контакт

RU

1. Гарантийная карта
2. Срок действия гарантии(в годах)
3. Модель (модели)
4. Дата покупки
5. Штамп и подпись озничного продавца
6. Неисправность/дефект
7. Номер контактного телефона и адрес

KZ

1. Кеңілдік картасы
2. Кеңілдік мерзімі
3. Үлгі(лер)
4. Сатылған күні
5. Сатушының мәрі мен қолтаңбасы
6. Кемістік/Ақаулық
7. Байланыс телефоны және мекен-жайы