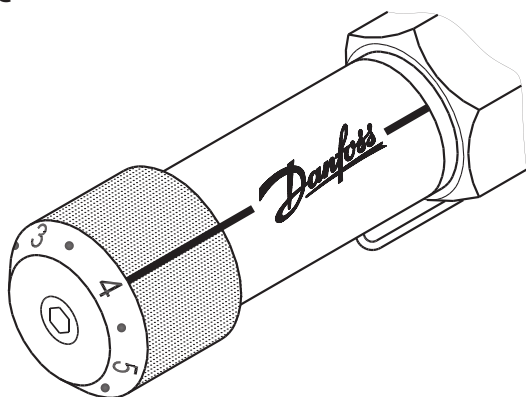


Instruction

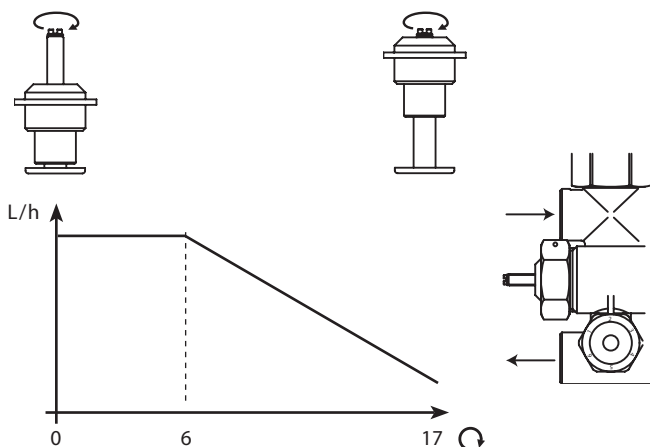
Compact Mixing Shunt, FHM-Cx

FH-TC

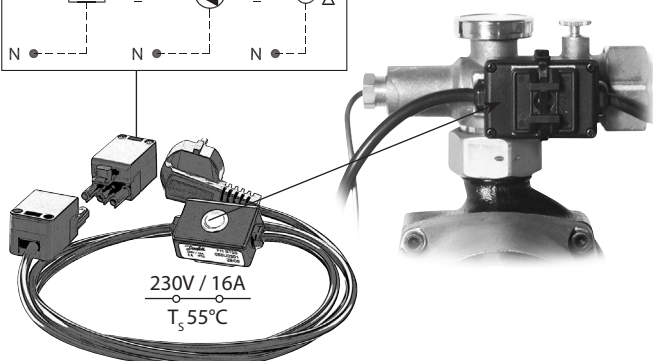
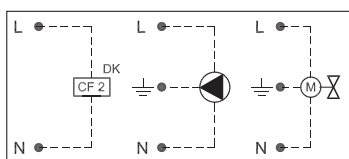


1	2	3	4	5	6	(max)
20°C	25°C	30°C	35°C	40°C	45°C	50°C

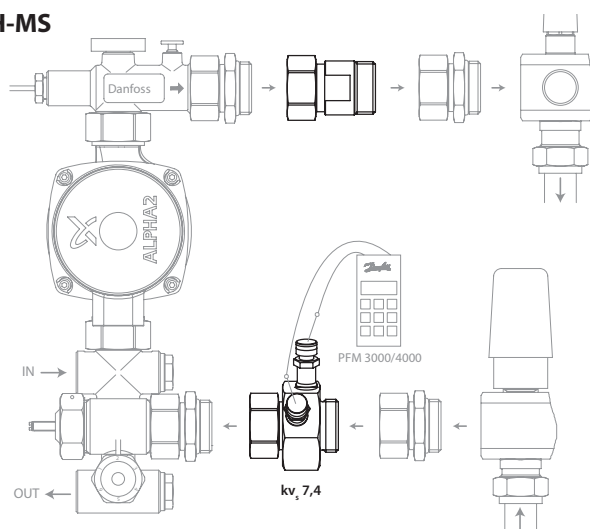
FHM-FL



FH-ST



FH-MS

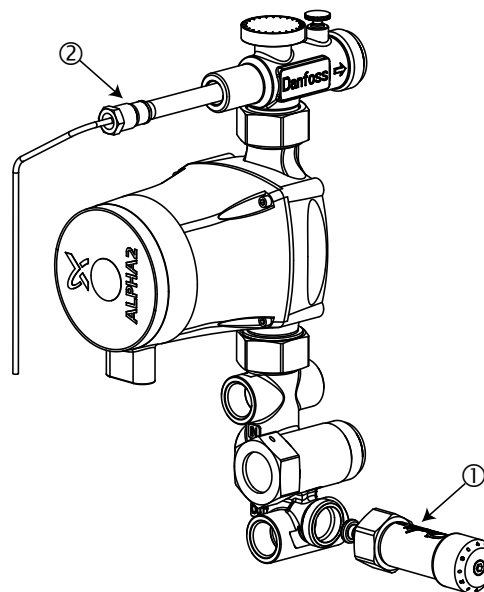


GB	Technical Data	
	Test pressure	16 bar
	Max. working pressure	10 bar
	Max. differential pressure	0.6 bar
	Max. flow temperature	90° C
	<i>Note!</i> Maximum operating pressure and temperature given by the tube manufacturer must not be exceeded.	

DK/N	Tekniske data	
	Test tryk / test tryk	16 bar
	Max. arbejdstryk / arbejdstryk	10 bar
	Max. differenstryk / differansetryk	0,6 bar
	Max. fremløbstemp. / medietemp.	90° C
	<i>NB!</i> Maximum arbejdstryk / driftstryk og temperatur opgivet af oppgitt av rørleverandøren / rørproduzenten må ikke overskrides.	

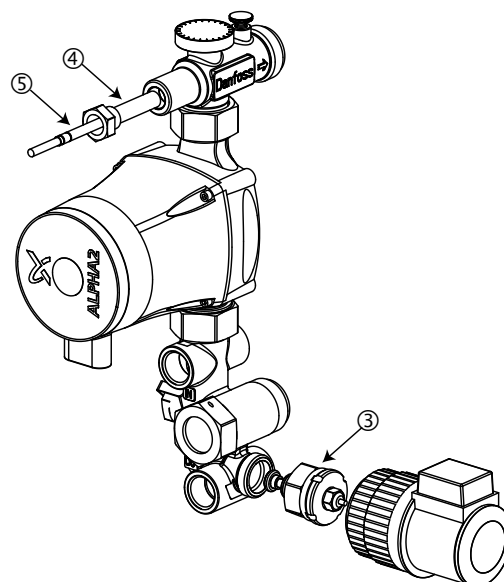
- GB**
1. Drain the system for water.
 2. Remove the FH-TC ①.
 3. Remove the capillary sensor ②.

- DK/N**
1. Tøm systemet for vand.
 2. Fjern FH-TC ①.
 3. Fjern kapillarføleren ②.



- GB**
4. Replace the casket with a new (supplied in box) and mount the adapter ③. Tighten the nut with app. 40 Nm.
 5. The new sensor pocket ④ is supplied with O-ring and is replacing the capillary sensor ②. Mount the pocket and tighten with 20 Nm.
 6. The sensor ⑤ is pushed into the pocket and is kept in place with a rubber ring

- DK/N**
4. Udskift pakningen med en ny (medfølger) og monter adapteren ③. Stram møtrikken med ca. 40 Nm.
 5. Den nye følerlomme ④ leveres med O-ring, og den erstatter kapillarsensoren ②. Monter lommen og stram med 20 Nm.
 6. Sensoren ⑤ skubbes ind i lommen og fastholdes af en gummiring.



- GB**
- ECL 110 Settings for Floor Heating Applications**
- maintenance menu 2175: change settings to 1.0.
 - maintenance menu 2178: change settings to 55°C.
 - application menu 7024: change actuator setting to ABV.
 - application menu 7162: change knee point setting to OFF.

- DK/N**
- ECL 110 indstillinger for gulvvarmeapplikationer**
- vedligeholdelsesmenu 2175: indstilles til 1.0.
 - vedligeholdelsesmenu 2178: indstilles til 55°C.
 - applikationsmenu 7024: indstilles til ABV.
 - applikationsmenu 7162: knæpunkt indstilles til OFF.