

EN

# OWNER'S MANUAL



## Dehumidifier



**MODELS:** CH-D008WD5-20LD  
CH-D014WD5-30LD

For proper operation, please read and keep this manual carefully.

Designed by Cooper&Hunter International Corporation, Oregon, USA  
[www.cooperandhunter.com](http://www.cooperandhunter.com)

# Content

## Operation Notices

---

- Operation Area..... 1
- Safety Precautions..... 2
- Parts Name..... 3
- Check Before Operation..... 4

## Operation Instructions

---

- Operation Method..... 5
- Drainage Option..... 8

## Maintenance

---

- Clean and Maintenance..... 10

## Malfunction

---

- Troubleshooting..... 12
- Malfunction Codes..... 14
- Electric schematic diagram..... 16

### **Note:**

Graphics in this manual are only for reference. Please refer to actual products for specific details.

This appliance can be used by children aged from 8 years and above and persons with reduced physical, sensory or mental capabilities or lack of experience and knowledge if they have been given supervision or instruction concerning use of the appliance in a safe way and understand the hazards involved. Children shall not play with the appliance. Cleaning and user maintenance shall not be made by children without supervision.



This marking indicates that this product should not be disposed with other household wastes throughout the EU. To prevent possible harm to the environment or human health from uncontrolled waste disposal, recycle it responsibly to promote the sustainable reuse of material resources. To return your used device, please use the return and collection systems or contact the retailer where the product was purchased. They can take this product for environmental safe recycling.

R134a: 1430

# Explanation of Symbols

---



**DANGER**

Indicates a hazardous situation that, if not avoided, will result in death or serious injury.



**WARNING**

Indicates a hazardous situation that, if not avoided, could result in death or serious injury.



**CAUTION**

Indicates a hazardous situation that, if not avoided, may result in minor or moderate injury.

***NOTICE***

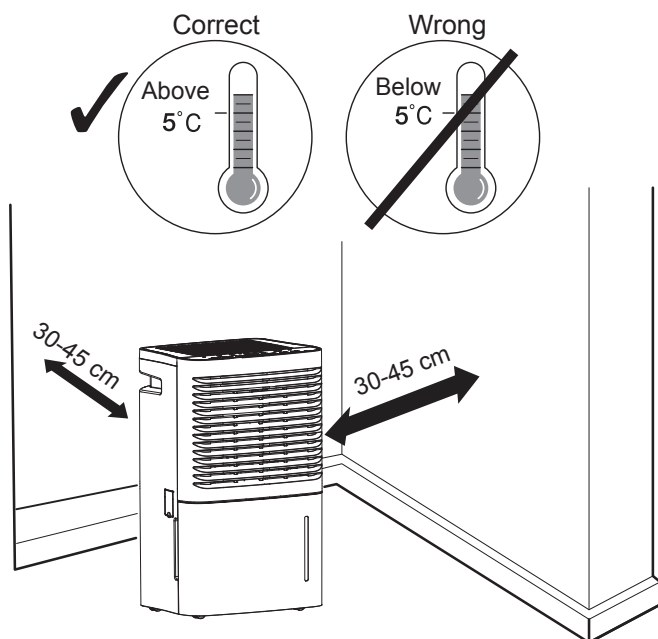
Indicates important but not hazard-related information, used to indicate risk of property damage.



Indicates a hazard that would be assigned a signal word **WARNING** or **CAUTION**.

## Operation Area

- This dehumidifier is intended for indoor residential applications only. It should not be used for commercial or industrial applications.
- Place the dehumidifier on a smooth and level floor.
- A dehumidifier operating indoors will have no effect in drying an adjacent enclosed area, such as a closet.
- Place the dehumidifier in an area where the temperature will not be below 5°C or above 35°C.
- Allow at least 30-45 cm of air space on all sides of the unit.
- Close all doors, windows and other outside openings of the room to improve the working effect.
- Please keep the air inlet/outlet clean and not blocked.
- Do not use a dehumidifier in a bathroom.
- Avoid direct sunlight.



### **NOTICE:**

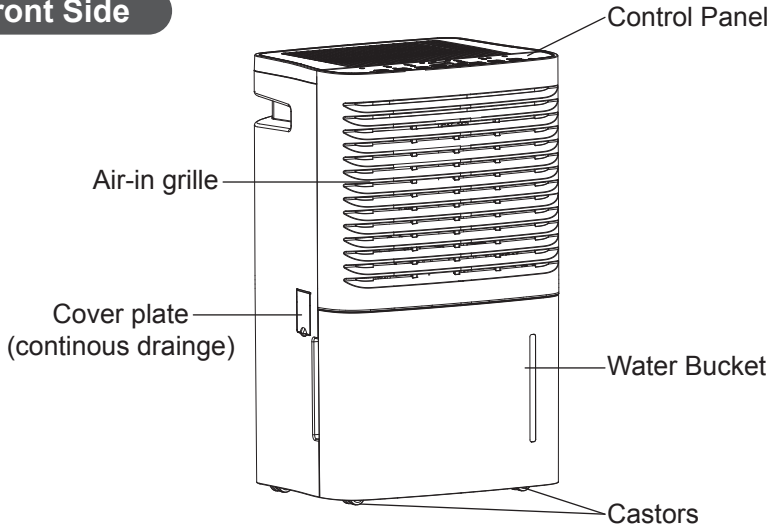
The dehumidifier has rollers to aid placement. Do not attempt to roll the dehumidifier on carpet or over objects. Otherwise, water may spill out from the bucket or the dehumidifier may get stuck by the objects.

## Safety Precautions

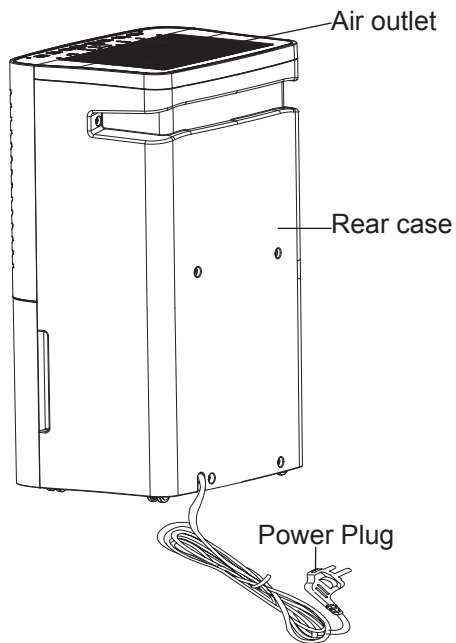
- This appliance is not intended for use by persons (including children) with reduced physical, sensory or mental capabilities, or lack of experience and knowledge, unless they have been given supervision or instruction concerning use of the appliance by a person responsible for their safety. Children should be supervised to ensure that they do not play with the appliance.
- Cleaning and user maintenance shall not be made by children without supervision.
- Before operation, please check the power cord if it complies with the requirement indicated on the nameplate.
- Before cleaning, please turn it off and unplug the dehumidifier.
- Make sure the power cord is not pressed by any hard object.
- Do not remove the power plug or move unit by pulling the power cord.
- Do not use any heating application near the dehumidifier.
- Do not remove the power plug in wet hands.
- Please use grounded power cord and make sure it's well connected and not damaged.
- Children and disabled people are not allowed to use the dehumidifier without supervision.
- Keep children from playing or climbing on the dehumidifier.
- Do not place the dehumidifier under dripping objects.
- Memory function is included in this dehumidifier. When nobody is taking care of the unit, please turn it off and remove the power plug or disconnect power.
- Do not repair or disassemble the unit by yourself.
- Damaged power cord must be replaced by qualified technicians or manufacturer.
- If abnormal condition occurs (e.g. burned smell), please disconnect power at once and then contact local dealer.
- Dehumidifier can not be disposed of everywhere. If you want to get rid of this dehumidifier, please check with local handling disposal or information service center about what to do.
- Do not use an extension cord.
- The appliance shall be installed in accordance with national wiring regulations.
- If the supply cord is damaged, it must be replaced by the manufacturer, its service agent or similarly qualified persons in order to avoid a hazard.

# Parts Name

## Front Side



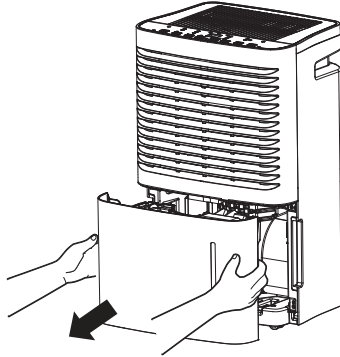
## Back Side



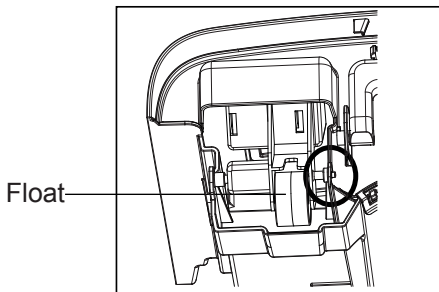
## Check Before Operation

Before operation, please first check whether float is properly placed. Below are the checking steps:

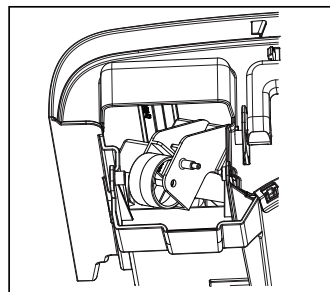
1. Hold the handles on both sides of the water bucket and pull it out following the arrow direction.



2. Check whether float in the water bucket is properly placed. It might have been moved a little after long-time transportation. If it's not placed properly, move it to the correct position by hand.



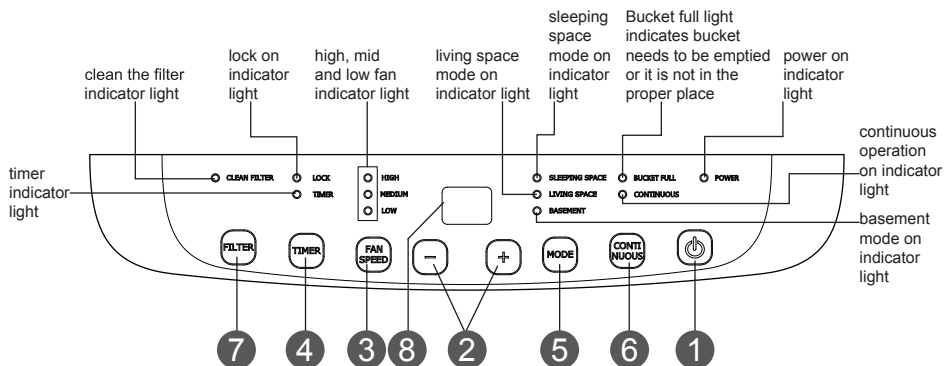
**Correct Position**



**Wrong Position**

3. Replace the bucket as instructed in step 1.

# Operation Method



## Notes:

- Water bucket must be correctly installed for the dehumidifier to operate.
- Do not remove the bucket while unit is in operation.
- If you want to use drain hose to drain water away, please install the hose according to section "Drainage method".
- Each time pressing the effective button on the control panel will give out a "beep" sound.
- When power is connected, power indicator on the control panel will be on and dehumidifier gives out a "beep" sound simultaneously.

## Basic Functions of the Buttons

### 1 POWER Button

Press this button to turn on/off dehumidifier.

### 2 +/- Button

Under free drying mode press these buttons to adjust set humidity. Invalid under other modes.

- Pressing + button will increase humidity while pressing - button will decrease humidity. The display range of humidity is 35%~80%. Each pressing will increase/decrease humidity by 5%.
- Continuous Dehumidify Setting: This function can be set by pressing CONTINUOUS button.

[Attention] : When selecting CO mode, drain hose has to be installed. Otherwise, unit will stop when water bucket is full.



- When setting Timer On or Timer Off, press these buttons to adjust time. For specific details, please refer to Timer Button description below.
- When unit is in operation, holding + and - button simultaneously for 3s can lock buttons. If this function is turned on, Button Locked Indicator will be on and display window shows LC, which will blink for 3 times. Then ambient humidity is displayed again. To turn off this function, hold + and - button simultaneously for 3s and the indicator will be off.

### 3 FAN SPEED Button

Pressing this button can set fan speed circularly as: High, Medium, Low. Corresponding indicator will be on for each fan speed.

### 4 TIMER Button

Press this button to set Timer On or Timer Off (Timing range 0.5~24h).

- Set Timer Off:  
When unit is on, press this button and the Timer Indicator will be blink while display window will show the timing figure. Pressing + or - button each time will increase or decrease the time by 0.5h or 1h (When figure varies within 10h, pressing +/- button will increase/decrease the time by 0.5h; when figure varies from 10h to 24h, pressing +/- button will increase/decrease the time by 1h). When time is set, wait for 5s or press this button to turn this function on. Timing Indicator will be on.
- Cancel Timer Off:  
Under the condition that this function is turned on, press this button to cancel it. Timing Indicator will be off.
- Set Timer On:  
When unit is off, press this button and the Timer Indicator will be blink while display window will show the timing figure. Pressing + or - button each time will increase or decrease the time by 0.5h or 1h (When figure varies within 10h, pressing +/- button will increase/decrease the time by 0.5h; when figure varies from 10h to 24h, pressing +/- button will increase/decrease the time by 1h). When time is set, wait for 5s or press this button to turn this function on. Timing Indicator will be on.
- Cancel Timer On:  
Under the condition that this function is turned on, press this button to cancel it. Timing Indicator will be off.
- Timing range: 0.5~24 hours.

## 5 MODE Button

Press this button to select different kinds of working mode. After each pressing of this button, mode will switch among free drying, sleeping space, living space, basement and continuous drying modes, and the corresponding mode indicator will ON. When free drying, all mode indicators are OFF.

## 6 CONTINUOUS Button

When continuous dehumidification mode is selected, the corresponding continuous dehumidify indicator will be on, the dehumidifier will operate continuously at its maximum dehumidification settings if attached to a hose to drain or until the bucket is full.

## 7 FILTER Button

Press this button to turn off Filter Cleaning Indicator. (When dehumidifier has been operating for 250 hours, Filter Cleaning Indicator will be lit up to remind user of filter cleaning.)

## Other Instructions

### 1. Alarm Warning

If bucket is full or not locked into place for over 3min, buzzer will go off for 10s to remind you to empty bucket or put it back into the correct place.

### 2. Auto Stop

When bucket is full, removed or not placed correctly or the humidity is 5% lower than the set humidity, unit will automatically stop.

### 3. Memory Function

If power is lost, all of the control settings are remembered. So when power is restored, the unit will start back up in the settings it was in when power was lost.

### 4. Bucket full light

This indicates that bucket is full or removed or not placed correctly.

### 5. Clean the Filter On indicator light

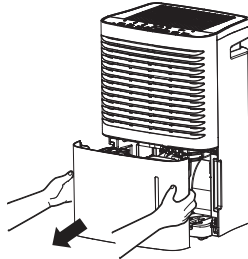
When dehumidifier has been operating for 250 hours, Filter Cleaning Indicator will be lit up to remind user of filter cleaning.

# Drainage Option

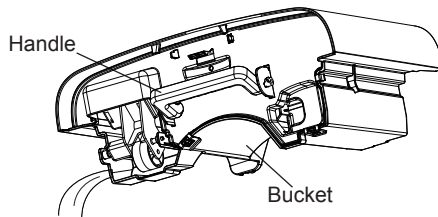
## Option 1 Emptying Manually

### **NOTICE:**

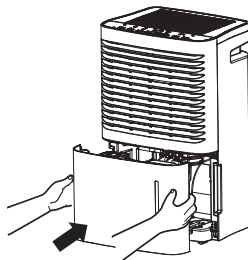
- Do not remove the bucket when unit is in operation or has just stopped. Otherwise it may cause some water to drip on the floor.
  - Do not use the hose if using water bucket to collect water. When the hose is connected, water will be drained out through it instead of into the bucket.
1. Hold the handles on both sides of the water bucket and pull it out following the arrow direction. (Attention: Pull out the bucket carefully in case the water may spill out from the bucket and onto the floor.)



2. Empty the bucket by grasping the handle on the top of bucket with one hand and grasping the bottom of bucket with the other hand.

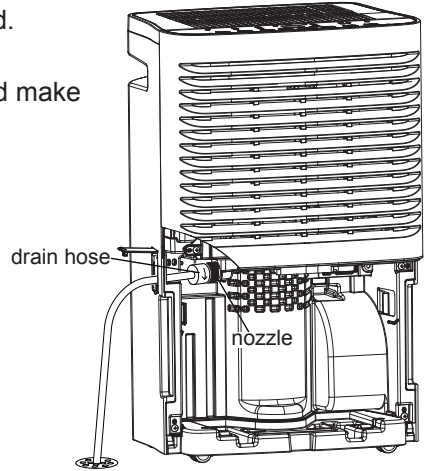


3. Replace bucket in the dehumidifier according to the arrow direction.

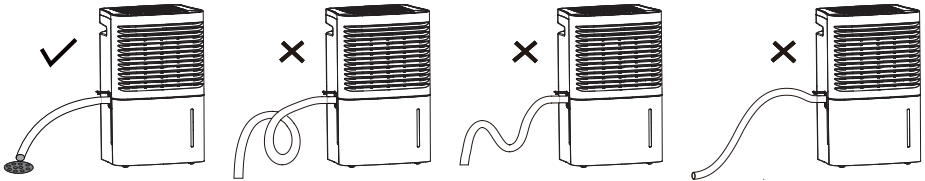


## Option 2 Gravity Drain Hose

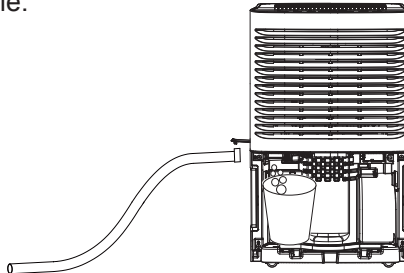
1. Hose is not provided, so user shall prepare it in advance.  
[Size: The hose thread should have an outer diameter of 11/16 inches (1.0625 inches or 27.0mm), and a pitch of 11.5 TPI.]
2. Remove bucket from the unit as instructed.
3. Thread the drain hose onto the nozzle and make sure it's securely locked.



4. Replace the bucket. Make sure the drain hose goes through the bucket's drain hole and is placed downward. Lead the hose to the floor drain and then cover the hole with a lid. Note that drain hose should not be pressed, otherwise water can not be drained out.



**NOTICE:** When you want to take off the drain hose, prepare a receptacle to collect water from the nozzle.



# Clean and Maintenance

## **WARNING:**

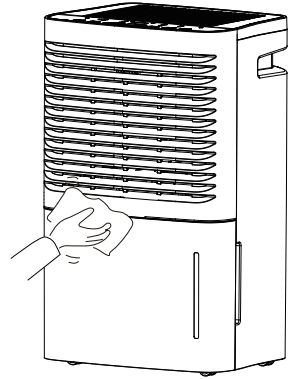
- Before cleaning, turn off the dehumidifier and disconnect power. Otherwise it may lead to electric shock.
- Do not wash the dehumidifier with water, or it may lead to electric shock.
- Do not use volatile liquid (such as thinner or gasoline) to clean dehumidifier. Otherwise it will damage unit's appearance.

### 1. Grille and Case

To clean the case:

When there is dust on the case, use soft towel to dust it off; When the case is very dirty (greasy), use mild detergent to clean it.

To clean the grille: Use a dust catcher or brush.



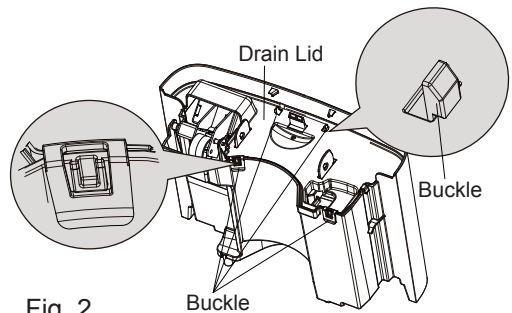
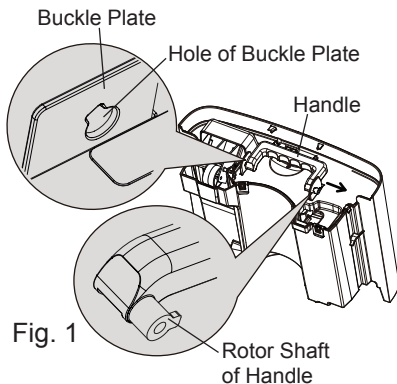
### 2. Water Bucket

Every few weeks, clean the bucket to prevent growth of mold, mildew and bacteria. Use soft brush to clean the bucket and then rinse it.

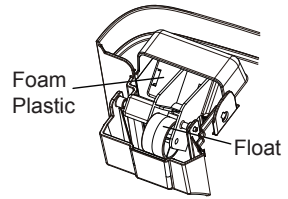
To remove:

- (1) Direct the rotor shaft of handle to the hole of buckle plate. Pull the bucket plate at the handle side by following the arrow direction. Remove the handle. (shown in Fig.1)
- (2) Press down 4 buckles around the water bucket. Lift up the drain lid. (shown in Fig.2)

Buckle



- (3) After cleaning, replace the drain lid and handle and make sure the float of water bucket is placed properly. The side with foam plastic should be beneath the drain lid. Do not remove the foam plastic on the float.

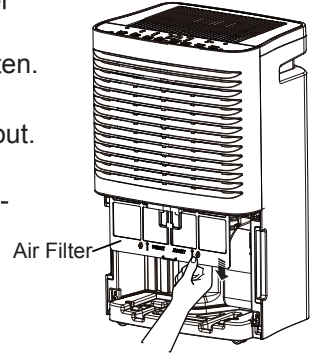


### 3. Air Filter

Dehumidifier will remind you to clean the air filter when it has been operating for 250 hours. If it is used in dusty places, clean the air filter more often.

To remove: Remove the bucket. Grasp the filter edge, and pull it straight down and out.

To clean: Clean the filter in warm, soapy water. Rinse it and let the filter dry before replacing it.



#### **WARNING:**

- Do not operate the dehumidifier without a filter. Otherwise the evaporator will catch dust and affect unit's performance.
- Do not dry the air filter with fire or electric hair dryer. Otherwise the air filter may be unshaped or caught on fire.
- Don't use dust catcher or brush to clean the air filter. Otherwise the air filter may be destroyed

#### **Check Before Use-season**

- Check whether air outlet is blocked.
- Check whether power plug and power socket are in good condition.
- Check whether air filter is clean.
- Check whether drain hose is damaged.

#### **Care After Use-season**

- Disconnect power.
- Clean air filter and case.
- Clean dust and obstacle of the dehumidifier.
- Empty the water bucket.

#### **Long-time Storage**

If you won't use the dehumidifier for a long time, we suggest that you follow the steps below in order to maintain the unit in good condition.

- Make sure the bucket is clear of water and drain hose is removed.
- Unplug the dehumidifier and pack the power cord.
- Clean the unit and wrap it well to prevent the gathering of dust.

## Troubleshooting

- Not all the following problems are malfunctions.

Problem	Possible Causes
Dehumidifier is not operating. Controls can not be set.	<ul style="list-style-type: none"> <li>● Unit is operating in an area where temperature is higher than 35°C or lower than 5°C.</li> <li>● Bucket is full.</li> </ul>
Noise suddenly rises during operation.	<ul style="list-style-type: none"> <li>● Noise will rise if compressor has just started.</li> <li>● Power supply problem.</li> <li>● Unit is placed on uneven floor.</li> </ul>
Humidity does not drop.	<ul style="list-style-type: none"> <li>● Area to be dehumidified is too large. The capacity of your dehumidifier may not be adequate.</li> <li>● Doors are open.</li> <li>● There might be some device producing vapor in the room.</li> </ul>
Little or no effect in dehumidifying	<ul style="list-style-type: none"> <li>● Room temperature is too low.</li> <li>● Humidity level may be improperly set.</li> <li>● If unit is operating in a room where temperature is from 5 to 15 °C, it will start to defrost automatically. Compressor will stop for a brief period of time(fan will operate in high fan speed). When unit finishes defrosting, it will be back to normal operation.</li> </ul>
When first operated, the air emitted has musty-odor.	<ul style="list-style-type: none"> <li>● Due to temperature rising of heat exchanger, the air may have some strange smell at the beginning.</li> </ul>
Unit has noises.	<ul style="list-style-type: none"> <li>● There might be some noise if unit is operating on wooden floor.</li> </ul>
Swooshing sound is heard.	<ul style="list-style-type: none"> <li>● Normal. This is the sound of the flow of refrigerant.</li> </ul>

- Problem of Water Leakage.

Problem	Possible Causes	Solution
When using drain hose, there is water in the bucket.	<ul style="list-style-type: none"> <li>● Examine the drainage joint.</li> </ul>	<ul style="list-style-type: none"> <li>● Connect the drainage joint well.</li> </ul>
	<ul style="list-style-type: none"> <li>● Drain hose is not correctly installed.</li> </ul>	<ul style="list-style-type: none"> <li>● Clear the obstacle from the drain hose.</li> </ul>
	<ul style="list-style-type: none"> <li>● Drain hose is not correctly installed.</li> </ul>	<ul style="list-style-type: none"> <li>● Remove the drain hose and replace it. Be sure that the hose is correctly installed.</li> </ul>

● Dehumidifier does not start.

<b>Problem</b>	<b>Possible Causes</b>	<b>Solution</b>
Power indicator is not lit when power is connected.	<ul style="list-style-type: none"> <li>● Power is not supplied for the dehumidifier or the power plug is not well inserted.</li> </ul>	<ul style="list-style-type: none"> <li>● Check if power is lost. If yes, wait for the power to restore.</li> <li>● If not, check whether the power circuit or power socket has been damaged.</li> <li>● Check whether power plug is loosen.</li> <li>● Check whether power cord is damaged.</li> </ul>
	<ul style="list-style-type: none"> <li>● Fuse is blown.</li> </ul>	<ul style="list-style-type: none"> <li>● Replace the fuse.</li> </ul>
Bucket full indicator is lit up.	<ul style="list-style-type: none"> <li>● Bucket is not properly placed.</li> <li>● Water is full in the bucket.</li> <li>● Bucket has been removed.</li> </ul>	<ul style="list-style-type: none"> <li>● Empty the bucket and replace it.</li> </ul>
Unit can function normally but it can not start up.	<ul style="list-style-type: none"> <li>● Humidity is set too high.</li> </ul>	<ul style="list-style-type: none"> <li>● If you want the air drier, press - button to lower the figure or press CO button for unit to dehumidify continuously.</li> </ul>

● Dehumidifier does not dry air as intended.

Bad dehumidifying performance	<ul style="list-style-type: none"> <li>● Check whether there is any obstacle around the unit.</li> </ul>	<ul style="list-style-type: none"> <li>● Make sure there is no curtain, shutter or furniture that blocks the dehumidifier.</li> </ul>
	<ul style="list-style-type: none"> <li>● Air filter is dusty and blocked.</li> </ul>	<ul style="list-style-type: none"> <li>● Clean the filter.</li> </ul>
	<ul style="list-style-type: none"> <li>● Doors and windows are left open.</li> </ul>	<ul style="list-style-type: none"> <li>● Make sure all doors and windows and other opening to the outside have been closed.</li> </ul>
	<ul style="list-style-type: none"> <li>● Room temperature is too low.</li> </ul>	<ul style="list-style-type: none"> <li>● Warm temperature is good for dehumidification. Low temperature will reduce unit's working effect. This unit should be working in a place where temperature is above 5°C.</li> </ul>



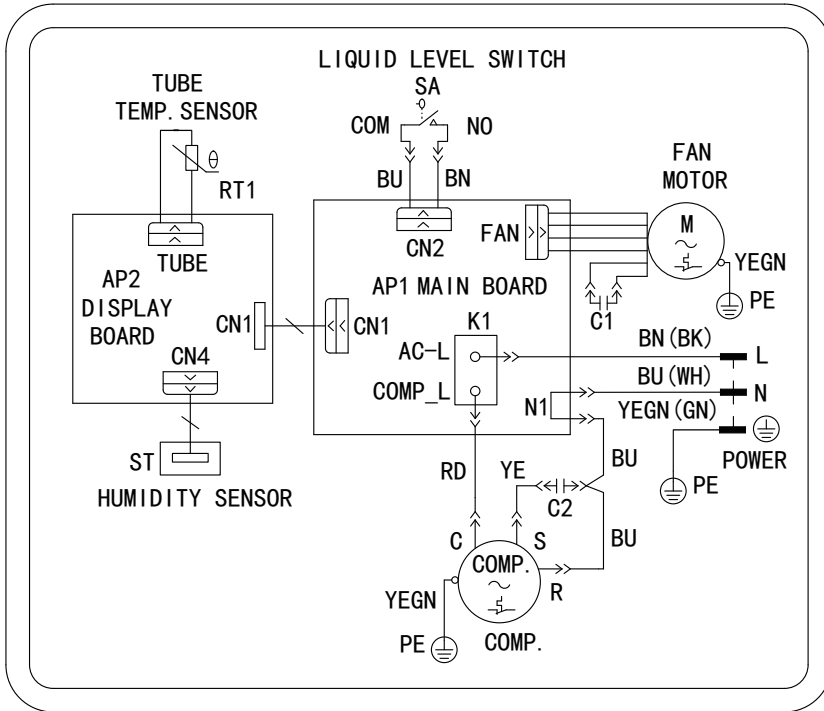
# Malfunction Codes

## ● Unit's Malfunction Codes

No.	Malfunction Name	Display Code	Unit's Condition	Possible Causes
		Display Window		
1	Ambient Temperature Sensor Malfunction	F1	Compressor and fan motor stop. This button is invalid.	<ul style="list-style-type: none"> <li>● Ambient temperature sensor is loosen or is poorly connected with the terminal of display board.</li> </ul>
				<ul style="list-style-type: none"> <li>● Some element of display board may have been put upside down and cause short circuit.</li> </ul>
				<ul style="list-style-type: none"> <li>● Ambient temperature sensor is damaged(Please refer to Checking Table for Temperature Sensor Resistance).</li> </ul>
				<ul style="list-style-type: none"> <li>● Display board is damaged.</li> </ul>
2	Tube Temperature Sensor Malfunction	F2	Compressor and fan motor stop. This button is invalid.	<ul style="list-style-type: none"> <li>● Temperature sensor on the evaporator is loosen or is poorly connected with the terminal of display board.</li> </ul>
				<ul style="list-style-type: none"> <li>● Some element of display board may have been put upside down and cause short circuit.</li> </ul>
				<ul style="list-style-type: none"> <li>● Temperature sensor on the evaporator is damaged(Please refer to Checking Table for Temperature Sensor Resistance).</li> </ul>
				<ul style="list-style-type: none"> <li>● Display board is damaged.</li> </ul>
3	Humidity Sensor Malfunction	L1		<ul style="list-style-type: none"> <li>● Humidity sensor is short-circuited.</li> <li>● Humidity sensor is damaged.</li> <li>● Display board is damaged.</li> </ul>

No.	Malfunction Name	Display Code	Unit's Condition	Possible Causes
		Display Window		
4	Freon-lacking protection	F0	The compressor stops; the fan motor keeps on running.	<ul style="list-style-type: none"> <li>● Refrigerant is leaking.</li> <li>● System is blocked.</li> </ul>
5	High-temperature overload protection	H3		<ul style="list-style-type: none"> <li>● Ambient operation condition is bad.</li> <li>● The evaporator and condenser are blocked with filth.</li> <li>● The system is abnormal.</li> </ul>

# Electric schematic diagram



Model		CH-D008WD5-20LD	CH-D014WD5-30LD
Dehumidifying	L/D	20	30
Power input	W	285	500
Temperature	°C	+5/+35	+5/+35
Airflow Volume	m <sup>3</sup> /h	150/135/125	275/225/200
Water Tank Volume	L	4,7	7
Sound Pressure Level	dB(A)	36/34/33	39/37/35
Net Weight	kg	15,5	18,5
Outline Dimension(W*H*D)	mm	355*495*280	380*610*285
Refrigerant		R134	R134

Designed by Cooper&Hunter International Corporation, Oregon, USA  
[www.cooperandhunter.com](http://www.cooperandhunter.com)  
E-mail: [info@cooperandhunter.com](mailto:info@cooperandhunter.com)

\* Cooper & Hunter is constantly working to improve their products, so the information in this manual is subject to change without prior notice.



66160000411

RU

РУКОВОДСТВО ПОЛЬЗОВАТЕЛЯ



Осушитель воздуха



**МОДЕЛИ: CH-D008WD5-20LD  
CH-D014WD5-30LD**

Для правильной работы, пожалуйста, прочитайте и сохраните руководство.

**Cooper&Hunter International Corporation, Oregon, USA**

**[www.cooperandhunter.com](http://www.cooperandhunter.com)**

# Содержание

## Эксплуатационные указания

- Рабочая область. .... 1
- Меры безопасности. .... 2
- Наименование компонентов. .... 3
- Проверка перед эксплуатацией. .... 4

## Эксплуатационная инструкция

- Режимы работы. .... 5
- Способы слива. .... 8

## Обслуживание

- Чистка и обслуживание. .... 10

## Неисправности

- Устранение неполадок. .... 12
- Коды ошибок. .... 14
- Схема электрическая принципиальная. .... 16

### Примечание:

Рисунки в настоящем руководстве носят исключительно описательный характер. Пожалуйста, обратитесь к фактической продукции за конкретными деталями

Данное устройство могут использовать дети от 8 лет и выше, лица с ограниченными физическими, сенсорными или умственными способностями, или нехваткой опыта и знаний, если они делают это под присмотром или получили инструкции относительно безопасного использования устройства, понимают возможные опасности. Детям нельзя играть с устройством. Чистка и обслуживание детьми без присмотра запрещена.



Эта маркировка означает, что настоящий продукт не должен быть утилизирован вместе с другими бытовыми отходами на всей территории ЕС. Для предотвращения возможного ущерба для окружающей среды или здоровья человека вследствие неконтролируемой утилизации отходов, сдавайте продукт на переработку с целью повторного использования материальных ресурсов. Чтобы вернуть устройство, пожалуйста, используйте системы сбора и возврата или обратитесь к продавцу, где был приобретен продукт. Они могут принять настоящий продукт для безопасной для окружающей среды утилизации.

## Условные обозначения



**ОПАСНО**

Опасная ситуация, которая, если ее не удастся избежать, приведет к смерти или серьезным травмам.



**ПРЕДУПРЕЖДЕНИЕ**

Опасная ситуация, которая, если ее не удастся избежать, может привести к смерти или серьезным травмам.



**ВНИМАНИЕ**

Опасная ситуация, которая, если ее не удастся избежать, может привести к травмам легкой или средней тяжести.

*Примечание*

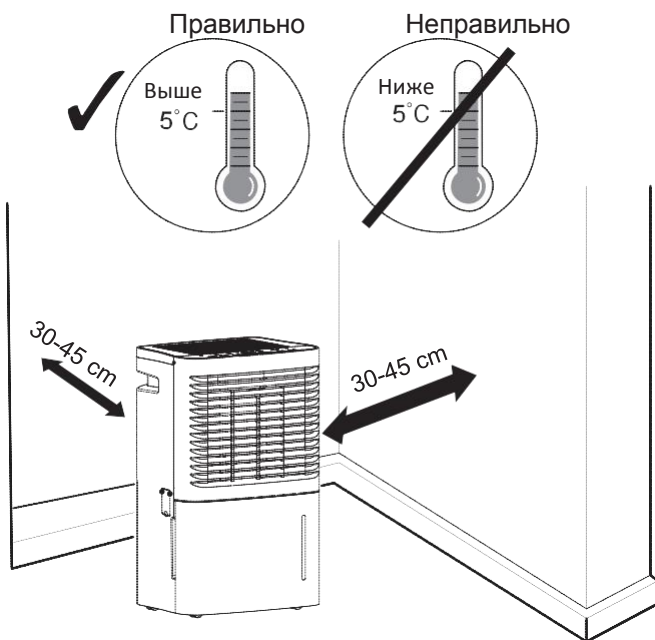
Важная информация, используемая для обозначения риска повреждения имущества.



Опасность, которая обозначается сигнальным словом **ВНИМАНИЕ** или **ОСТОРОЖНО**.

## Рабочая область

- Осушитель предназначен только для использования внутри помещений. Он не применяется в коммерческих или промышленных условиях.
- Разместите осушитель на ровный пол
- Во время работы, прилегающее замкнутое помещение, например, кладовка, не может быть осушено.
- Разместите осушитель в месте, где температура не ниже 5 °С и не выше 35 °С
- 30-45 см пространства вокруг устройства должны быть свободными.
- Закройте все двери, окна и другие внешние отверстия, чтобы улучшить эффективность работы устройства.
- Пожалуйста, держите воздухозаборник/воздуховод в чистоте и не заслоняйте их.
- Не используйте устройство в ванной комнате
- Избегайте прямых солнечных лучей.



### **ПРИМЕЧАНИЕ:**

Осушитель имеет ролики для мобильного размещения. Не пытайтесь вращать осушитель на ковре или поверх объектов. В противном случае вода может вылиться из емкости для конденсата или осушитель может застрять между объектами.

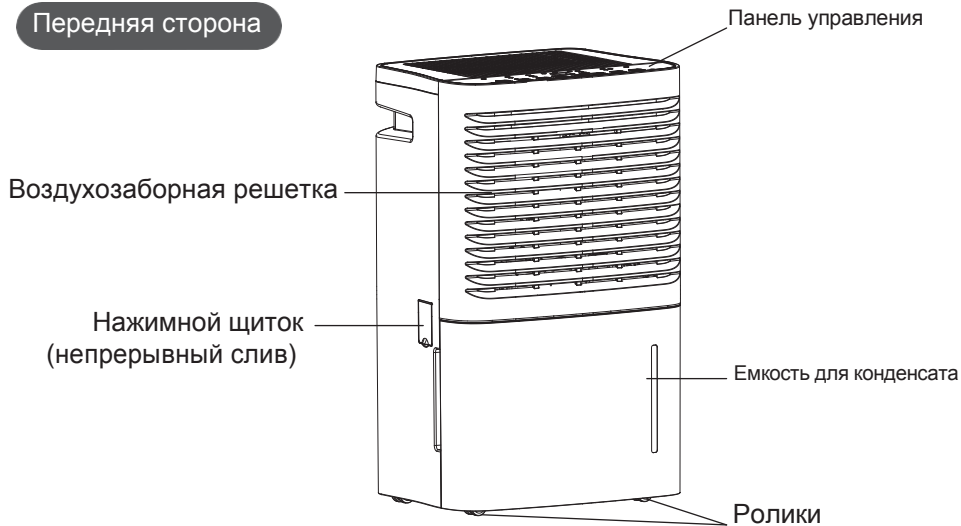


# Меры безопасности

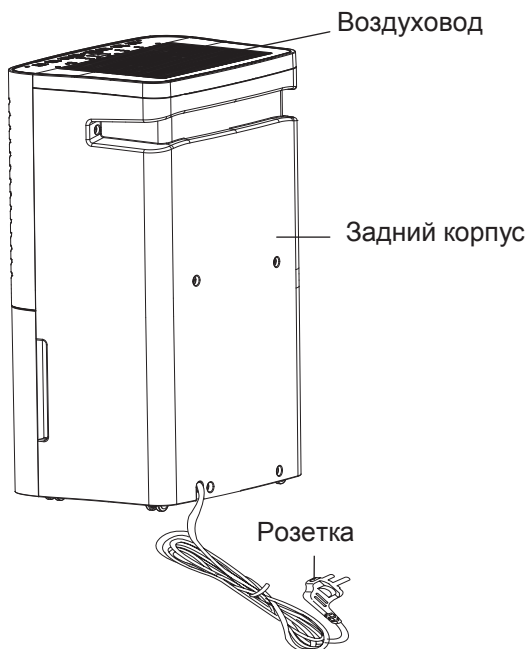
- Данное устройство не могут использовать дети от 8 лет и выше, лица с ограниченными физическими, сенсорными или умственными способностями, или нехваткой опыта и знаний, если они не делают этого под присмотром или не прошли инструктаж лицами, отвечающими за их безопасность. За детьми должен проводиться присмотр, чтобы они не игрались с устройством.
- Чистка и обслуживание детьми без присмотра запрещена.
- Перед началом работы, пожалуйста, проверьте шнур питания, если он соответствует требованиям, указанным на заводской табличке.
- Перед очисткой, пожалуйста, выключите осушитель и отсоедините его от сети.
- Убедитесь, что шнур питания не пережат твердыми предметами.
- Не вынимайте вилку шнура питания и не перемещайте устройство, потянув за шнур питания.
- Не используйте какие-либо нагревательные приборы вблизи осушителя.
- Не вынимайте вилку мокрыми руками.
- Пожалуйста, используйте заземленный кабель питания и убедитесь, что он плотно прилегает и не поврежден.
- Детям и людям с ограниченными возможностями запрещено использовать осушитель без присмотра.
- Не позволяйте детям играть или забираться на осушитель.
- Не размещайте осушитель под капляющими объектами.
- Осушитель оснащен функцией памяти. Если никто не работает с устройством, пожалуйста, выключите его и выньте вилку шнура питания, или отключите питание.
- Не ремонтируйте и не разбирайте устройство самостоятельно.
- Поврежденный шнур питания должен быть заменен квалифицированным персоналом или изготовителем.
- Если возникают ненормальные условия (например, запах гари), пожалуйста, сразу отсоедините питание, а затем свяжитесь с местным дилером.
- Осушитель не подлежит какой угодно утилизации. Если вы хотите избавиться от осушителя, пожалуйста, свяжитесь с местным пунктом утилизации или сервисным, чтобы получить информацию о дальнейших действиях.
- Не используйте удлинитель.
- Устройство должен быть установлено в соответствии с национальными нормами электропроводки.
- Если шнур питания поврежден, он должен быть заменен производителем, его агентом или квалифицированными лицами аналогичной службой для того, чтобы избежать опасности.

# Наименование компонентов

## Передняя сторона



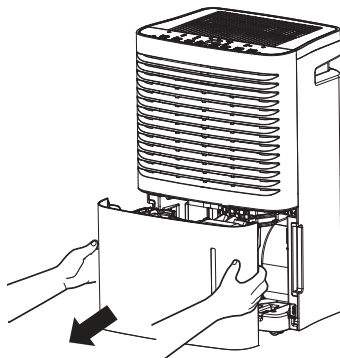
## Задняя сторона



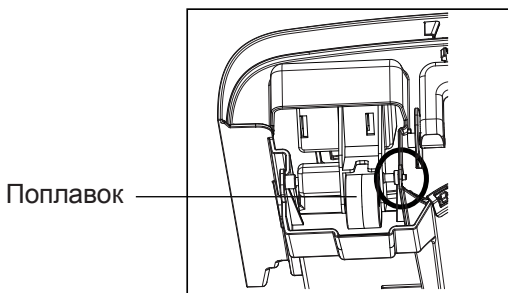
## Проверка перед эксплуатацией

Перед эксплуатацией проверьте правильность установки поплавка. Ниже приведены этапы проверки:

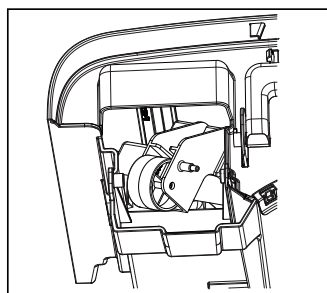
1. Возьмитесь за ручки с обеих сторон емкости для конденсата и вытащите по направлению стрелки.



2. Проверьте правильность установки поплавка. Существует вероятность, что он мог немного сдвинуться во время транспортировки. Если он не находится на своем месте, установите его правильно рукой.



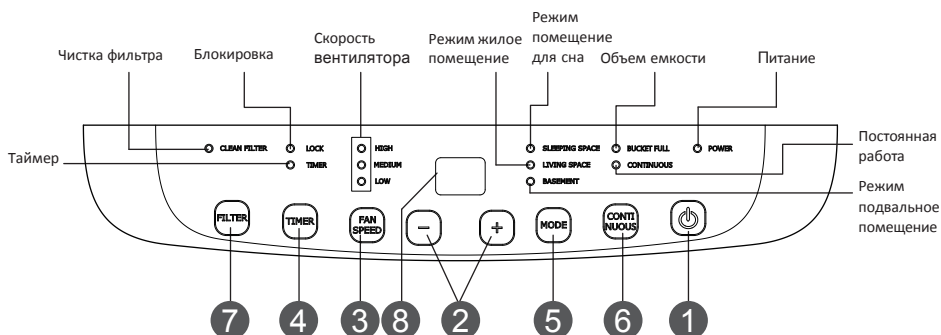
**Правильная позиция**



**Неправильная позиция**

3. Установите на место емкость для конденсата согласно этапу 1.

# Режимы работы



## Примечание:

- Для работы должна быть правильно установленная емкость для конденсата
- Не вынимайте емкость во время работы устройства.  
Если вы хотите использовать сливной шланг, пожалуйста, установите его согласно инструкциям раздела «Способы слива».
- Каждый раз, нажимая кнопку на панели управления, вы услышите звуковой сигнал.
- Если устройство подключено к сети, индикатор питания на панели управления загорится, а осушитель издаст звуковой сигнал

## Основные функции кнопок

### 1 Кнопка включения

Нажмите на эту кнопку, чтобы включить или выключить осушитель.

### 2 +/- Кнопка

В режиме свободного осушения эти кнопки служат для регулировки уровня влажности. Не работают в других режимах.

- Нажатием кнопки “+” увеличивается уровень влажности, нажатие “-” уменьшается уровень. Рабочий диапазон влажности 35% ~ 80%. Каждое нажатие будет увеличивать / уменьшать уровень влажности на 5%.
- Настройка постоянного осушения: Эта функция может быть установлена путем нажатия кнопки ПОСТОЯННОГО осушения.

[Внимание]: При выборе режима ПОСТОЯННОГО осушения, следует подсоединить сливной шланг. В противном случае, устройство остановится, когда емкость для конденсата заполнится.

- При установке таймера включения или выключения, нажмите эти кнопки для регулировки времени. За более детальной информацией обратитесь к пункту, который описывает кнопку таймера.
- Во время работы устройства, зажав кнопки “+” и “-” одновременно в течение 3 секунд, можно включить блокировку панели управления. Если блокировка включена, загорится индикатор блокировки, и ЖК дисплей также сообщит о блокировке, промигав 3 раза. Затем снова отобразится уровень влажности окружающей среды. Чтобы отключить блокировку, нажмите и удерживайте кнопки “+” и “-” одновременно в течение 3 секунд пока индикатор не погаснет.

### 3 Кнопка скоростей вентилятора

Нажатием на эту кнопку можно установить скорость вращения вентилятора попеременно: высокая, средняя, низкая. Соответствующий индикатор будет загораться на каждой скорости вентилятора.

### 4 Кнопка таймера

Нажмите эту кнопку, чтобы установить или выключить таймер (диапазон 0,5 ~ 24ч).

- **Выключение таймера:**  
Когда прибор включен, нажмите на эту кнопку и индикатор таймера будет мигать в то время, как дисплей будет показывать время. При каждом нажатии кнопки “+” или “-” будет увеличиваться или уменьшаться время на 0,5 ч или 1 ч (когда время в пределах 10 ч, нажатием кнопки “+/-” увеличивается/уменьшается время на 0,5 ч, а если время в пределах 10-24 ч, нажатием кнопки “+/-” увеличивается/уменьшается время на 1 ч). Когда время установлено, подождите 5 секунд или нажмите на эту кнопку, чтобы включить эту функцию. Индикатор таймера загорится.
- **Отмена выключения таймера:**  
При условии, что эта функция включена, нажмите на эту кнопку, чтобы отменить ее. Индикатор погаснет.
- **Установка таймера:**  
Когда прибор выключен, нажмите на эту кнопку и индикатор таймера будет мигать в то время, как дисплей будет показывать время. При каждом нажатии кнопки “+” или “-” будет увеличиваться или уменьшаться время на 0,5 ч или 1 ч (когда время в пределах 10 ч, нажатием кнопки “+/-” увеличивается/уменьшается время на 0,5 ч, а если время в пределах 10-24 ч, нажатием кнопки “+/-” увеличивается/уменьшается время на 1 ч). Когда время установлено, подождите 5 секунд или нажмите на эту кнопку, чтобы включить эту функцию. Индикатор таймера загорится.
- **Отмена установки таймера:**  
При условии, что эта функция включена, нажмите на эту кнопку, чтобы отменить ее. Индикатор погаснет.
- **Диапазон регулировки времени:** 0,5–24 часов.

## 5 Кнопка режима

Нажмите на эту кнопку, чтобы выбрать различные виды рабочих режимов. После каждого нажатия переключается режим: свободное осушение, помещения для сна, жилые помещения, подвальные помещения и режим постоянного осушения. Напротив каждого режима загорится индикатор. В режиме свободного осушения, все остальные индикаторы режимов погаснут.

## 6 Кнопка постоянной работы

При выборе режима постоянного осушения, загорится соответствующий индикатор, осушитель будет работать непрерывно на своих максимальных настройках осушения, если он подсоединен к шлангу для слива или до тех пор, пока емкость для конденсата заполнится.

## 7 Кнопка фильтра

Нажмите на эту кнопку, чтобы выключить индикатор чистки фильтра. (Если осушитель работает более 250 часов, индикатор чистки фильтра будет гореть, напоминая о необходимости проведения чистки.)

## Другие инструкции

### 1. Аварийное предупреждение

Если емкость для конденсата полная или она была неправильно установлена в течение 3 минут, будет слышно звук в течение 10 секунд для напоминания о необходимости слить содержание емкости или повторной ее установки в правильное положение.

### 2. Автоматическая остановка

Если емкость для конденсата полная, извлечена из устройства, оно неправильно размещено или влажность ниже 5% от заданного уровня, устройство автоматически прекратит работу.

### 3. Функция памяти

Если происходит сбой питания, все настройки будут сохранены. После восстановления питания, блок возобновит работу в соответствии с ранее сохраненными настройками.

### 4. Индикатор объема емкости для конденсата

Индикатор загорается, если емкость для конденсата полная, отсутствует или неправильно установлена.

### 5. Переустановка фильтра

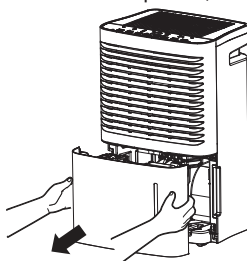
Спустя 250 часов работы осушителя загорится индикатор чистки фильтра, напоминая о надобности его чистки.

# Способы слива

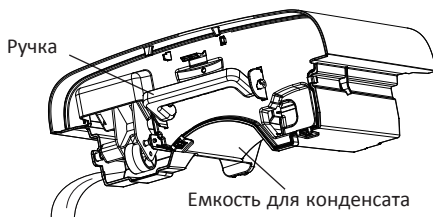
## Способ 1: Ручной слив

### ПРИМЕЧАНИЕ:

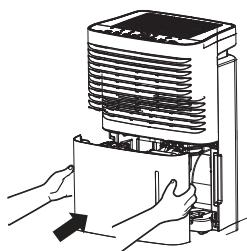
- Не вынимайте емкость, когда устройство работает или только перестало работать. Иначе содержимое емкости может разлиться на пол.
  - Не используйте сливной шланг, если уже используется емкость для сбора конденсата. Когда шланг соединен, жидкость будет выводиться через него, а не в емкость.
1. Возьмитесь за ручки с обеих сторон емкости для конденсата и вытащите по направлению стрелки. (Внимание: Вынимайте емкость осторожно, если в ней полно жидкости)



2. Слейте жидкость, держа за ручку верхней части емкости с одной стороны, и схватив дно емкости с другой стороны.

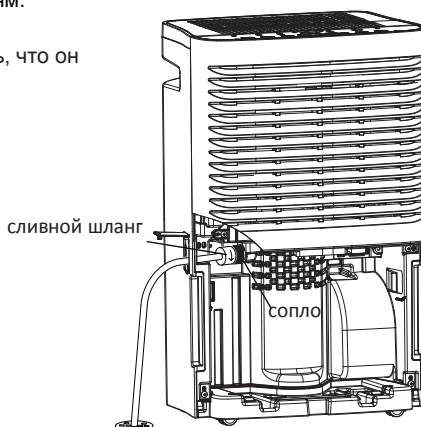


3. Установите емкость на место по направлению стрелки

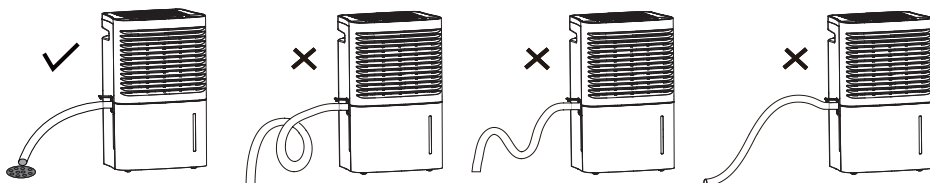


## Способ 2: Слив через сливной шланг

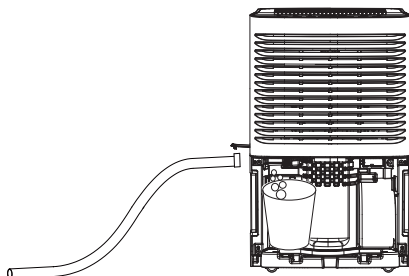
1. Шланг не входит в комплект устройства. Приготовьте его заранее.  
[Размер: Внешний диаметр шланга 11/16 дюймов (1.0625 дюймов или 27,0 мм), шаг 11.5 ВНД.]
2. Выньте емкость из блока согласно инструкциям.
3. Наденьте сливной шланг на сопло и убедитесь, что он надежно зафиксирован.



4. Установите емкость. Пожалуйста, убедитесь, что сливной шланг установлен в направлении слива воды. Вставьте один конец сливного шланга в канализационное отверстие в полу, а затем накройте крышкой его. Пожалуйста, не нажимайте и не придавливайте сливной шланг.



**ПРИМЕЧАНИЕ:** Если вы хотите отсоединить сливной шланг, подготовьте емкость для сбора воды из сопла.





# Чистка и обслуживание

## ПРЕДУПРЕЖДЕНИЕ:

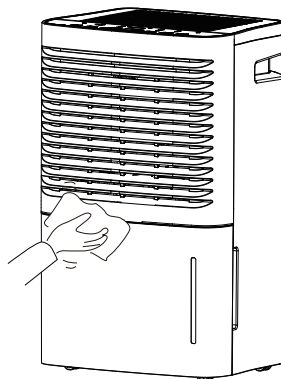
- Перед чисткой выключите осушитель и отключите его от сети. В противном случае может произойти поражение электрическим током.
- Не чистите осушитель водой, иначе может произойти поражение электрическим током.
- Не используйте летучие жидкости (растворитель или бензин) для очистки осушителя. В противном случае может повредиться внешний вид устройства

## 1. Решетка и блок

Очистка блока:

Для чистки блока от пыли, используйте мягкое полотенце;  
Если блок очень грязный (жирный), используйте мягкое моющее средство для очистки.

Очистка решетки: Используйте пылеуловитель или щетку.



## 2. Емкость для конденсата

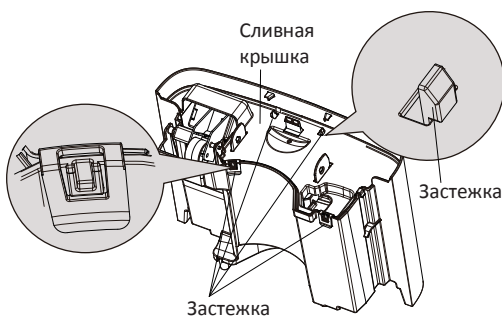
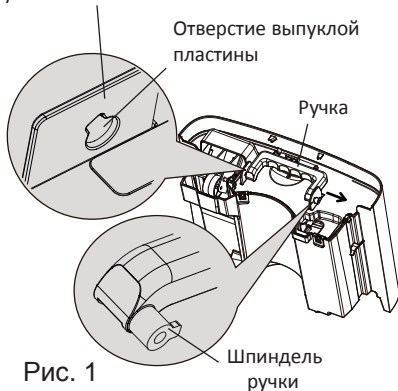
Каждые несколько недель, проводите очистку емкости для предотвращения роста плесени, бактерий и других микроорганизмов. Используйте мягкую щетку для очистки, после которой емкость следует промыть.

Чтобы извлечь емкость для конденсата:

- (1) Поверните шпindel ручки к отверстию выпуклой пластины. Потяните емкость со стороны ручки по направлению стрелки. Снимите ручку. (Рис. 1)
- (2) Нажмите на 4 пряжки вниз вокруг емкости. Поднимите сливную крышку. (Рис. 2)

Застежка

Выпуклая пластина



- (3) После очистки, установите назад сливную крышку и ручку, убедитесь, что поплавок емкости размещен правильно. Сторона с пенопласта должна находиться под сливной крышкой. Не снимайте пенопласт с поплавка.

### 3. Воздушный фильтр

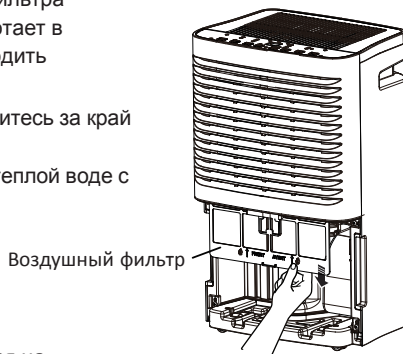
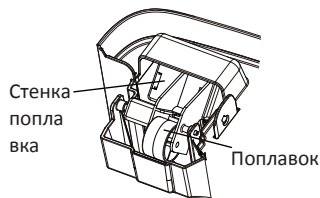
Осушитель напомнит о потребности очистки фильтра после 250 часов работы. Если устройство работает в пыльной среде, чистку фильтра следует проводить чаще.

Чтобы снять фильтр: Излечите емкость. Возьмитесь за край фильтра и вытяните ее вниз.

Чтобы почистить фильтр: Промойте фильтр в теплой воде с мылом. Хорошо просушите его.

#### ПРЕДУПРЕЖДЕНИЕ:

- Не используйте осушитель без фильтра  
Иначе испаритель забьется пылью, что скажется на работе устройства.
- Не сушите воздушный фильтр феном для волос. В противном случае фильтр может расплавиться или загореться.
- Не используйте пылесос или щетку для чистки воздушного фильтра. Фильтр может повредиться.



#### Предсезонная проверка

- Проверьте наличие свободного доступа к воздуховоду
- Проверьте состояние шнура питания и разъема для питания.
- Проверьте чистоту воздушного фильтра.
- Проверьте целостность сливного шланга.

#### Уход по окончанию сезона

- Отключите питание.
- Очистите воздушный фильтр и блок.
- Очистите осушитель от пыли и грязи.
- Вылейте содержимое емкости для конденсата

#### Длительное хранение

Если вы не будете пользоваться осушителем длительное время, мы рекомендуем вам следовать практическим советам ниже, чтобы сохранить устройство в хорошем рабочем состоянии.

- Убедитесь, что емкость пустая, а сливной шланг отсоединен.
- Отключите осушитель и упакуйте шнур питания.
- Очистите устройство, а затем упакуйте его хорошо для предотвращения попадания пыли.

## Устранение неполадок

- Не все следующие проблемы являются неисправностями.

Проблема	Возможные причины
Осушитель не работает. Он не реагирует на установки.	<ul style="list-style-type: none"> <li>● Устройство работает в районе, где температура выше, чем 35 °С или ниже 5 °С.</li> <li>● Емкость для конденсата полная.</li> </ul>
Внезапно появляется шум во время работы	<ul style="list-style-type: none"> <li>● Шум появится вместе с началом работы компрессора.</li> <li>● Проблемы с электропитанием.</li> <li>● Устройство размещено на неровном полу.</li> </ul>
Влажность не уменьшается.	<ul style="list-style-type: none"> <li>● Площадь осушения слишком большая. Мощности вашего осушителя не хватает.</li> <li>● Открыты двери.</li> <li>● Рядом может быть какое-то устройство, которое производит пар.</li> </ul>
Мало ощутимый или вообще неощутимый эффект от работы осушителя	<ul style="list-style-type: none"> <li>● Комнатная температура слишком мала.</li> <li>● Уровень влажности неправильно выставлен.</li> <li>● Если устройство работает в комнате, где температура от 5 до 15 °С, оно начнет размораживать автоматически. Компрессор остановится в течение короткого периода времени (вентилятор будет работать на высокой скорости). Когда устройство закончил разморозку, оно продолжит работу в штатном режиме.</li> </ul>
При первом включении, воздух на выходе имеет затхлый запах	<ul style="list-style-type: none"> <li>● Из-за повышения температуры теплообменника, воздух может иметь странный запах в начале работы.</li> </ul>
Устройство производит много шума.	<ul style="list-style-type: none"> <li>● Возможно появление шума, когда устройство размещено на деревянном полу</li> </ul>
Слышен свист.	<ul style="list-style-type: none"> <li>● Все нормально. Его издает поток охладителя</li> </ul>

- Проблемы утечки воды.

Проблема	Возможные причины	Решение
При использовании сливного шланга в емкости накапливается вода.	<ul style="list-style-type: none"> <li>● Проверьте сливное соединение.</li> </ul>	<ul style="list-style-type: none"> <li>● Соедините шланг плотно.</li> </ul>
	<ul style="list-style-type: none"> <li>● Сливной шланг неправильно установлен.</li> </ul>	<ul style="list-style-type: none"> <li>● Прочистите шланг.</li> </ul>
	<ul style="list-style-type: none"> <li>● Сливной шланг неправильно установлен.</li> </ul>	<ul style="list-style-type: none"> <li>● Снимите сливной шланг и соедините его заново. Убедитесь, что шланг правильно соединен.</li> </ul>

- **Осушитель не включается.**

<b>Проблема</b>	<b>Возможные причины</b>	<b>Решение</b>
Индикатор питания не горит, когда устройство подключено к сети.	<ul style="list-style-type: none"> <li>● Отсутствует питание или розетка плохо подключена.</li> </ul>	<ul style="list-style-type: none"> <li>● Проверьте, отсутствует ли питание. Если да, ждите восстановления питания.</li> <li>● Если ничего не происходит, проверьте, была ли повреждена цепь или розетка.</li> <li>● Проверьте исправность вилки.</li> <li>● Проверьте целостность шнура питания.</li> </ul>
	<ul style="list-style-type: none"> <li>● Сгорел предохранитель</li> </ul>	<ul style="list-style-type: none"> <li>● Замените предохранитель.</li> </ul>
Горит индикатор наполненности емкости.	<ul style="list-style-type: none"> <li>● Емкость неправильно установлена.</li> <li>● Емкость полная.</li> <li>● Емкость отсутствует.</li> </ul>	<ul style="list-style-type: none"> <li>● Опустошите емкость и поставьте ее на место.</li> </ul>
Устройство может функционировать нормально, но не может включиться.	<ul style="list-style-type: none"> <li>● Установленный уровень влажности слишком высокий.</li> </ul>	<ul style="list-style-type: none"> <li>● Если вам нужен осушитель, нажмите на кнопку, что уменьшить значение или нажмите на другую кнопку для включения постоянного осушения.</li> </ul>

- **Осушитель не работает должным образом**

Недостаточное осушение	<ul style="list-style-type: none"> <li>● Проверьте свободу пространства вокруг устройства.</li> </ul>	<ul style="list-style-type: none"> <li>● Убедитесь, что шторы, мебель или другие предметы блокируют работу осушителя</li> </ul>
	<ul style="list-style-type: none"> <li>● Воздушный фильтр в пыли или забитый</li> </ul>	<ul style="list-style-type: none"> <li>● Очистите фильтр</li> </ul>
	<ul style="list-style-type: none"> <li>● Двери и окна открытые.</li> </ul>	<ul style="list-style-type: none"> <li>● Убедитесь, что все двери и окна, другие открывающиеся наружу проемы, закрытые.</li> </ul>
	<ul style="list-style-type: none"> <li>● Температура в помещении слишком низкая.</li> </ul>	<ul style="list-style-type: none"> <li>● Теплая температура благоприятная для устройства. Низкая температура отрицательно повлияет на работу устройства. Устройство должно работать в месте, где температура выше 5 °С.</li> </ul>

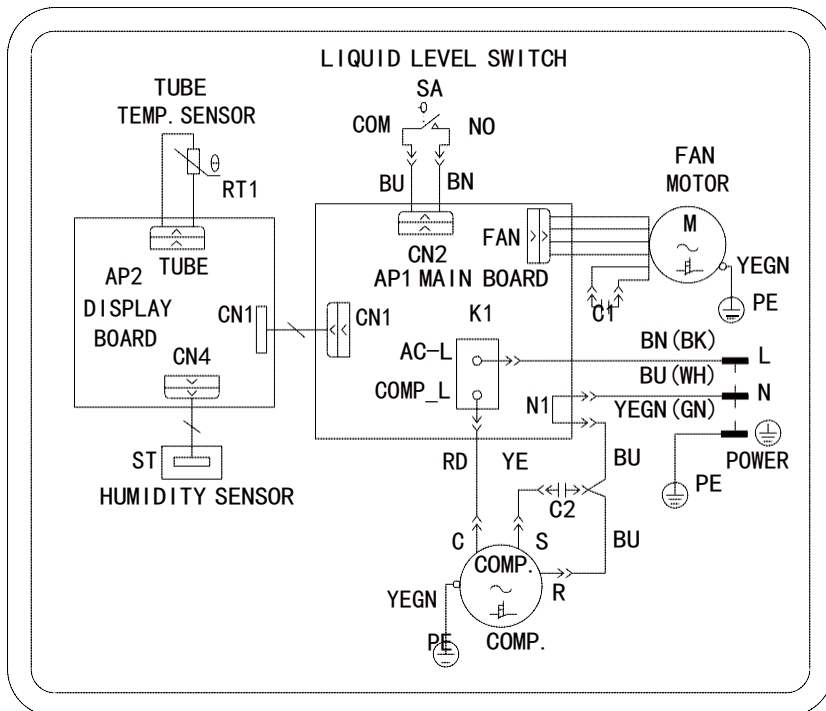
# Коды ошибок

## • Коды неисправностей устройства

№	Описание неисправности	Код	Условия устройства	Возможные причины
		Дисплей		
1	Неисправность сенсора температуры внешней среды	F1	Мотор компрессора и вентилятора остановились. Кнопка не работает.	<ul style="list-style-type: none"> <li>● Сенсор температуры окружающей среды отключен или плохо подсоединен с платой дисплея.</li> </ul>
				<ul style="list-style-type: none"> <li>● Некоторые элементы дисплея, возможно, сместились вниз и вызвали короткое замыкание.</li> </ul>
				<ul style="list-style-type: none"> <li>● Сенсор температуры поврежден (пожалуйста, обратитесь к Контрольной таблице для установления сопротивления сенсора температуры).</li> </ul>
2	Неисправность трубного температурного сенсора	F2	Мотор компрессора и вентилятора остановились. Кнопка не работает.	<ul style="list-style-type: none"> <li>● Плата дисплея повреждена</li> </ul>
				<ul style="list-style-type: none"> <li>● Сенсор температуры на испарителе отключен или плохо подсоединен с платой дисплея.</li> </ul>
				<ul style="list-style-type: none"> <li>● Некоторые элементы дисплея, возможно, сместились вниз и вызвали короткое замыкание.</li> </ul>
3	Неисправность сенсора влажности	L1	Мотор компрессора и вентилятора остановились. Кнопка не работает.	<ul style="list-style-type: none"> <li>● Сенсор температуры поврежден (пожалуйста, обратитесь к Контрольной таблице для установления сопротивления сенсора температуры).</li> </ul>
				<ul style="list-style-type: none"> <li>● Плата дисплея повреждена.</li> </ul>
				<ul style="list-style-type: none"> <li>● Сенсор влажности замкнул.</li> <li>● Сенсор влажности поврежден.</li> <li>● Плата дисплея повреждена.</li> </ul>

№	Описание неисправности	Код	Условия устройства	Возможные причины
		Дисплей		
4	Система защиты от нехватки фреона	F0	Компрессор остановился; мотор вентилятора продолжает работать.	<ul style="list-style-type: none"> <li>● Вытекает хладагент.</li> <li>● Система засорена</li> </ul>
5	Защита от перегрузки	H3		<ul style="list-style-type: none"> <li>● Неподходящие условия окружающей среды.</li> <li>● Испаритель и конденсатор засорены.</li> <li>● Система имеет дефекты.</li> </ul>

## Схема электрическая принципиальная



Модель		CH-D008WD5-20LD	CH-D014WD5-30LD
Производительность	л/сутки	20	30
Потребляемая мощность	Вт	285	500
Температурный диапазон	°C	+5/+35	+5/+35
Воздушный поток	м³/час	150/135/125	275/225/200
Емкость резервуара	л	4,7	7
Уровень звукового давления	дБ/(А)	36/34/33	39/37/35
Вес	кг	15,5	18,5
Габариты(Ш*В*Г)	мм	355*495*280	380*610*285
Тип хладагента		R134	R134

Designed by Cooper&Hunter International Corporation, Oregon, USA  
[www.cooperandhunter.com](http://www.cooperandhunter.com)  
E-mail: [info@cooperandhunter.com](mailto:info@cooperandhunter.com)

\* Cooper&Hunter постоянно работает над улучшением своей продукции, поэтому информация приведенная в данном руководстве, может быть изменена без предварительного уведомления потребителей.



66160000411



UA

# Інструкція з використання



## Осушувач повітря



**МОДЕЛІ: CH-D008WD5-20LD  
CH-D014WD5-30LD**

Для правильної роботи, будь ласка, прочитайте і збережіть посібник.  
**Cooper&Hunter International Corporation, Oregon, USA**

# Зміст

## Експлуатаційні вказівки

---

- Робоча область. .... 1
- Заходи безпеки. .... 2
- Найменування компонентів. .... 3
- Перевірка перед експлуатацією. .... 4

## Експлуатаційна інструкція

---

- Режими роботи. .... 5
- Способи зливу. .... 8

## Обслуговування

---

- Чистка і обслуговування. .... 10

## Несправності

---

- Усунення несправностей. .... 12
- Коды помилок. .... 14
- Схема електрична принципова. .... 16

### **Примітка:**

Малюнки в цьому посібнику носять виключно описовий характер. Будь ласка, зверніться до фактичної продукції за конкретними деталями.

Цей пристрій можуть використовувати діти віком від 8 років і вище, особи з обмеженими фізичними, сенсорними або розумовими здібностями, або нестачею досвіду і знань, якщо вони роблять це під наглядом або отримали інструкції щодо безпечного використання пристрою, розуміють можливі небезпеки. Дітям не можна гратися з пристроєм. Чистка і обслуговування дітьми без нагляду заборонена.



Це маркування означає, що справжній продукт не повинен бути утилізований разом з іншими побутовими відходами на всій території ЄС. Для запобігання можливого збитку для навколишнього середовища або здоров'я людини через неконтрольовану утилізацію відходів, здавайте продукт на переробку з метою повторного використання матеріальних ресурсів. Щоб повернути пристрій, будь ласка, використовуйте системи збору та повернення або зверніться до продавця, де був придбаний продукт. Вони можуть прийняти реальний товар для безпечної для навколишнього середовища утилізації.

## Умовні позначення

---



**Небезпечно**

Небезпечна ситуація, яка, якщо її не вдасться уникнути, призведе до смерті або серйозних травм.



**Попередження**

Небезпечна ситуація, яка, якщо її не вдасться уникнути, може призвести до смерті або серйозних травм.



**УВАГА**

Небезпечна ситуація, яка, якщо її не вдасться уникнути, може призвести до травмування легкої або середньої тяжкості.

**Примітка**

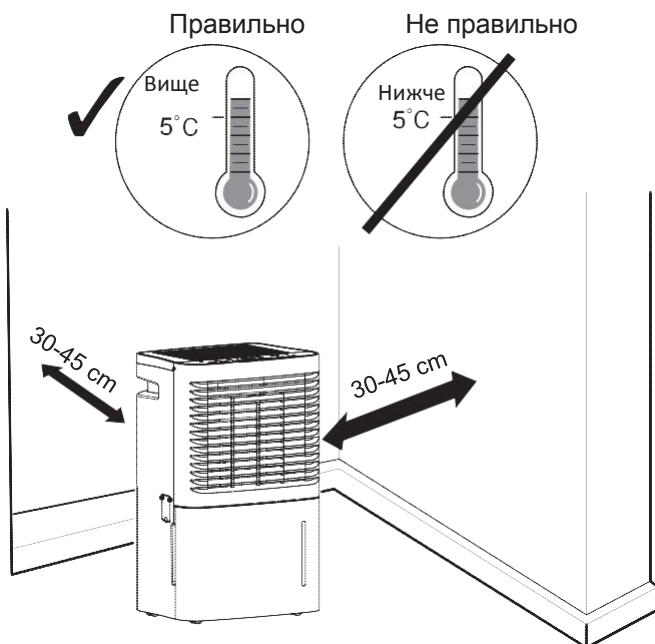
Важлива інформація, яка використовується для позначення ризику пошкодження майна.



Небезпека, яка позначається сигнальним словом УВАГА або ОБЕРЕЖНО.

## Робоча область

- Осушувач призначений тільки для використання всередині приміщень. Він не застосовується в комерційних або промислових умовах.
- Встановіть осушувач на рівну підлогу
- Під час роботи, приміщення яке прилягає замкнуте, наприклад, комора, не може бути осушено.
- Встановіть осушувач в місці, де температура не нижче 5°C та не вище 35°C
- 30-45 см простір навколо пристрою повинен бути вільними.
- Закрийте всі двері, вікна та інші зовнішні отвори, щоб поліпшити ефективність роботи пристрою.
- Будь ласка, тримайте повітрязабірник / повітропровід в чистоті і не закривайте їх.
- Не використовуйте пристрій у ванній кімнаті
- Уникайте прямих сонячних променів.



### **ПРИМІТКА:**

Осушувач має ролики для мобільного розміщення. Не намагайтеся обертати осушувач на килимі або поверх об'єктів. В іншому випадку вода може вилитися з ємності для конденсату або осушувач може застрягти між об'єктами.

## Заходи безпеки

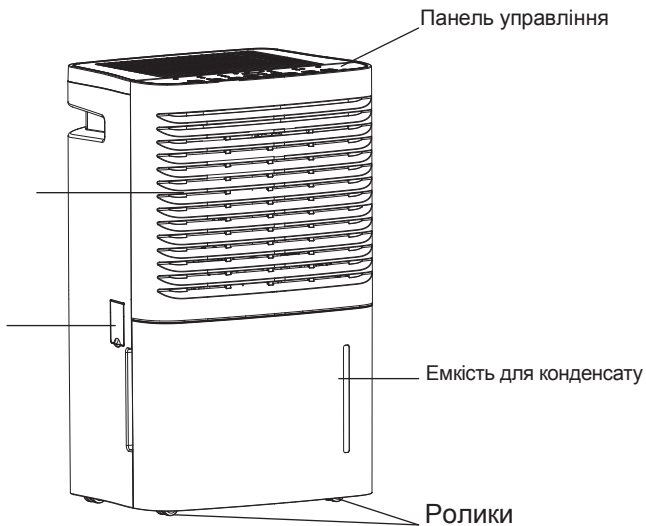
- Пристрій не можуть використовувати діти віком від 8 років і вище, особи з обмеженими фізичними, сенсорними або розумовими здібностями, або нестачею досвіду і знань, якщо вони не роблять цього під наглядом або не пройшли інструктаж особами, що відповідають за їх безпеку. За дітьми повинен проводитися нагляд, щоб вони не гралися з пристроєм.
- Чистка і обслуговування дітьми без нагляду заборонена.
- Перед початком роботи, будь ласка, перевірте шнур живлення, якщо він відповідає вимогам, зазначеним на табличці.
- Перед очищенням, будь ласка, вимкніть осушувач і від'єднайте його від мережі.
- Переконайтеся, що шнур живлення не пошкоджений твердими предметами.
- Не витягуйте шнур живлення і не рухайте пристрій, потягнувши за шнур живлення.
- Не використовуйте будь-які нагрівальні прилади поблизу осушувача.
- Не витягуйте вилку мокрими руками.
- Будь ласка, використовуйте заземлений кабель живлення і переконайтеся, що він щільно прилягає і не пошкоджений.
- Дітям і людям з обмеженими можливостями заборонено використовувати осушувач без нагляду.
- Не дозволяйте дітям гратися або забиратися на осушувач.
- Не ставте осушувач під каплями води.
- Осушувач оснащений функцією пам'яті. Якщо ніхто не працює з пристроєм, будь ласка, вимкніть його і від'єднайте його, або вимкніть живлення.
- Не ремонтуйте і не розбирайте пристрій самостійно.
- Пошкоджений шнур повинен бути замінений кваліфікованим персоналом або виробником.
- Якщо виникають не нормальні умови (наприклад, запах гару), будь ласка, відразу відключіть живлення, а потім зв'яжіться з місцевим дилером.
- Осушувач не підлягає будь-якій утилізації. Якщо ви хочете позбутися від осушувача, будь ласка, зв'яжіться з місцевим пунктом утилізації або сервісним, щоб отримати інформацію про подальші дії.
- Не використовуйте подовжувач.
- Пристрій повинен бути встановлено відповідно до національних норм електропроводки.
- Якщо шнур живлення пошкоджений, він повинен бути замінений виробником, його агентом або кваліфікованими особами аналогічної службою для того, щоб уникнути небезпеки.

## Найменування компонентів

### Передня сторона

Решітка для забору повітря

Натисний щит  
(безперервний злив)



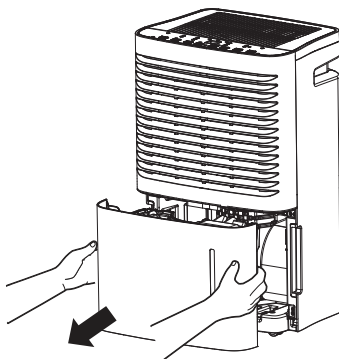
### Задня сторона



## Перевірка перед експлуатацією

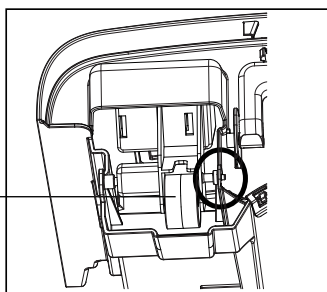
Перед експлуатацією перевірте правильність установки поплавця. Нижче наведені етапи перевірки:

1. Візьміться за ручки з обох сторін ємності для конденсату і витягніть у напрямку стрілки.

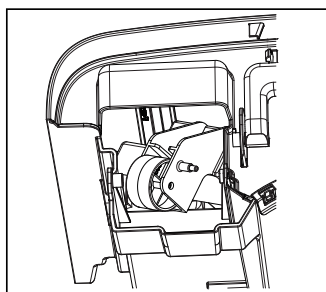


2. Перевірте правильність установки поплавця. Існує ймовірність, що він міг трохи зрушити під час транспортування. Якщо він не перебуває на своєму місці, встановіть його правильно рукою.

Поплавець



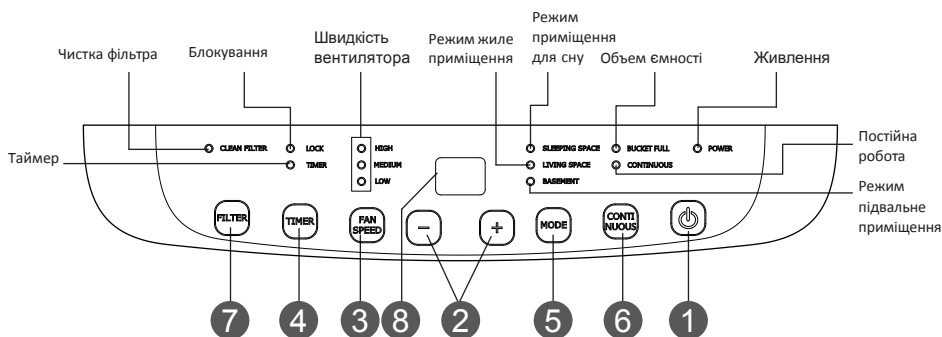
**Правильна позиція**



**Не правильна позиція**

3. Встановіть на місце ємність для конденсату згідно етапу 1.

# Режими роботи



## Примітка:

- Для роботи повинна бути правильно встановлена ємність для конденсату.
- Не витягуйте ємність під час роботи пристрою. Якщо ви хочете використовувати зливний шланг, будь ласка, встановіть його згідно інструкцій з «Способи зливу».
- Кожен раз, натискаючи кнопку на панелі управління, ви почуєте звуковий сигнал.
- Якщо пристрій підключено до мережі, індикатор живлення на панелі управління засвітиться, а осушувач видасть звуковий сигнал.

## Основні функції кнопок

### 1 Кнопка вклучення

Натисніть на цю кнопку, щоб вклучити або вимкнути осушувач.

### 2 +/- Кнопка

У режимі вільного осушення ці кнопки служать для регулювання рівня вологості. Не працюють в інших режимах.

- Натисканням кнопки "+" збільшується рівень вологості, натискання "-" зменшується рівень. Робочий діапазон вологості 35% ~ 80%. Кожне натискання буде збільшувати / зменшувати рівень вологості на 5%.
- Налаштування постійного осушення: Ця функція може бути встановлена шляхом натискання кнопки ПОСТІЙНОГО осушення.

[Увага]: При виборі режиму ПОСТІЙНОГО осушення, слід під'єднати зливний шланг. В іншому випадку, пристрій зупиниться, коли ємність для конденсату заповниться.



- При встановленні таймера включення або виключення, натисніть ці кнопки для регулювання часу. За більш детальною інформацією зверніться до пункту, який описує кнопку таймера.
- Під час роботи пристрою, затиснувши кнопки “+” і “-” одночасно протягом 3 секунд, можна включити блокування панелі управління. Якщо активовано систему безпеки, загориться індикатор блокування, і ЖК дисплей також повідомить про блокування, промігав 3 рази. Потім знову відобразиться рівень вологості навколишнього середовища. Щоб відключити блокування, натисніть і утримуйте кнопки “+” і “-” одночасно протягом 3 секунд поки індикатор не перестане.

### 3 Кнопка швидкостей вентилятора

Натисканням на цю кнопку можна встановити швидкість обертання вентилятора поперемінно: висока, середня, низька. Відповідний індикатор буде загорятися на кожній швидкості вентилятора.

### 4 Кнопка таймеру

Натисніть цю кнопку, щоб встановити або вимкнути таймер (діапазон 0,5 ~ 24г).

- **Вимкнення таймера:**

Коли прилад включений, натисніть на цю кнопку і індикатор таймера буде блимати в той час, як дисплей буде показувати час. При кожному натисканні кнопки “+” або “-” буде збільшуватися або зменшуватися час на 0,5 годин або 1 год (коли час в межах 10 год, натисканням кнопки “+/-” збільшується / зменшується час на 0,5 год, а якщо час в межах 10-24 год, натисканням кнопки “+/-” збільшується / зменшується час на 1 год). Коли час встановлено, почекайте 5 секунд або натисніть на цю кнопку, щоб включити цю функцію. Індикатор таймера загориться.

- **Скасування вимикання таймера:**

За умови, що ця функція включена, натисніть на цю кнопку, щоб скасувати її. Індикатор згасне.

- **Установка таймера:**

Коли прилад вимкнений, натисніть на цю кнопку і індикатор таймера буде блимати в той час, як дисплей буде показувати час. При кожному натисканні кнопки “+” або “-” буде збільшуватися або зменшуватися час на 0,5 годин або 1 год (коли час в межах 10 год, натисканням кнопки “+/-” збільшується / зменшується час на 0,5 год, а якщо час в межах 10-24 год, натисканням кнопки “+/-” збільшується / зменшується час на 1 год). Коли час встановлено, почекайте 5 секунд або натисніть на цю кнопку, щоб включити цю функцію. Індикатор таймера загориться.

- **Скасування установки таймера:**

За умови, що ця функція включена, натисніть на цю кнопку, щоб скасувати її. Індикатор згасне.

- **Діапазон регулювання часу: 0,5 ~ 24 годин.**

## 5 Кнопка режиму

Натисніть на цю кнопку, щоб вибрати різні види робочих режимів. Після кожного натискання перемикається режим: вільне осушення, приміщення для сну, житлові приміщення, підвальні приміщення і режим постійного осушення. Навпроти кожного режиму загориться індикатор. У режимі вільного осушення, всі інші індикатори режимів згаснуть.

## 6 Кнопка постійної роботи

При виборі режиму постійного осушення, загориться відповідний індикатор, осушувач буде працювати безперервно на своїх максимальних налаштуваннях осушення, якщо він приєднаний до шлангу для зливу або до тих пір, поки ємність для конденсату заповниться.

## 7 Кнопка фільтра

Натисніть на цю кнопку, щоб вимкнути індикатор чищення фільтра. (Якщо осушувач працює більше 250 годин, індикатор чищення фільтра буде горіти, нагадуючи про необхідність проведення чистки.)

## Інші інструкції

### 1. Аварійне попередження

Якщо ємність для конденсату повна або вона була неправильно встановлена протягом 3 хвилин, буде чути звук протягом 10 секунд для нагадування про необхідність злити вміст ємності або повторної її установки в правильне положення.

### 2. Автоматична зупинка

Якщо ємність для конденсату повна, витягнута з пристрою, вона неправильно розміщена або вологість нижче 5% від заданого рівня, пристрій автоматично припинить роботу.

### 3. Функція пам'яті

Якщо відбувається збій живлення, всі налаштування будуть збережені. Після відновлення електропостачання, блок відновить роботу відповідно до раніше збереженим налаштуванням.

### 4. Індикатор обсягу ємності для конденсату

Індикатор загоряється, якщо ємність для конденсату повна, відсутня або неправильно встановлена.

### 5. Перевстановлення фільтра

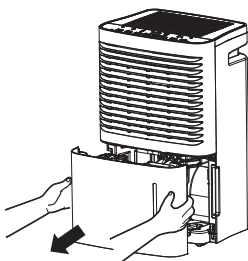
Через 250 годин роботи осушувача загориться індикатор чищення фільтра, нагадуючи про необхідність його чистки.

# Способи зливу

## Спосіб 1: Ручний слив

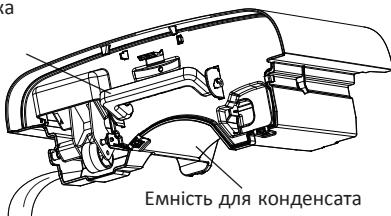
### **ПРИМІТКА:**

- Не витягуйте ємність, коли пристрій працює або тільки перестав працювати. Інакше вміст ємності може розлитися на підлогу
  - Не використовуйте зливний шланг, якщо вже використовується ємність для збору конденсату. Коли шланг з'єднаний, рідина буде виводиться через нього, а не в ємність.
1. Візьміться за ручки з обох сторін ємності для конденсату і витягніть у напрямку стрілки.  
(Увага: Виймайте ємність обережно, якщо в ній повно рідини)

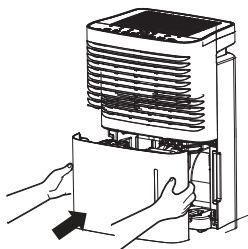


2. Злийте рідину, тримаючись за ручку верхньої частини ємності з одного боку, і схопивши дно ємності з іншого боку.

Ручка

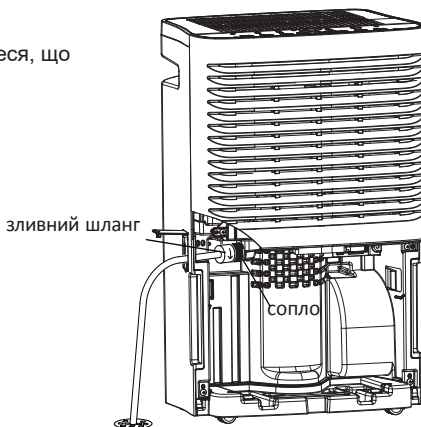


3. Встановіть ємність на місце за направленням стрілки

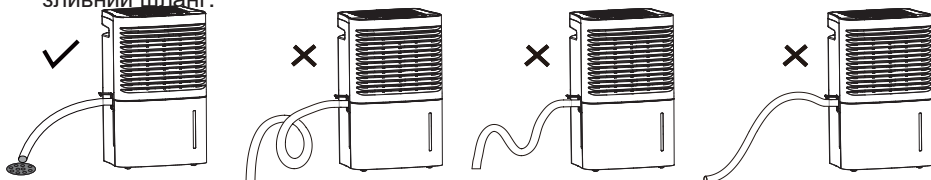


## Спосіб 2: Злив через зливний шланг

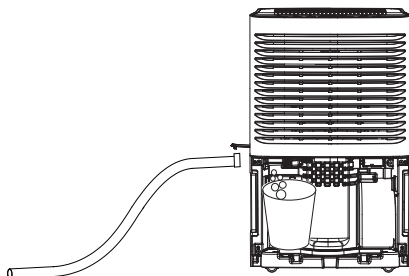
1. Шланг не входить в комплект пристрою. Приготуйте його заздалегідь. [Розмір: Зовнішній діаметр шланга 11/16 дюймів (1.0625 дюймів або 27,0 мм)]
2. Вийміть ємність з блоку згідно з інструкціями.
3. Одягніть зливний шланг на сопло і переконайтеся, що він надійно зафіксований.



4. Встановіть ємність. Будь ласка, переконайтеся, що зливний шланг встановлений в напрямку зливу води. Вставте один кінець зливного шланга в каналізаційний отвір в підлозі, а потім накрийте кришкою його. Будь ласка, не натискайте і не придавлюйте зливний шланг.



**ПРИМІТКА:** Якщо ви хочете від'єднати зливний шланг, підготуйте ємність для збору води з сопла.



# Чистка і обслуговування

## ⚠ ПОПЕРЕЖДЕННЯ:

- Перед чищенням осушувач і відключіть його від мережі. В іншому випадку може статися ураження електричним струмом.
- Не чистіть осушувач водою, інакше може статися ураження електричним струмом.
- Не використовуйте летючі рідини (розчинник або бензин) для очищення осушувача. В іншому випадку може пошкодитися зовнішній вигляд пристрою

## 1. Решітка і блок

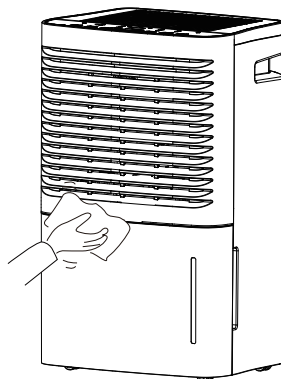
Очищення блоку:

Для чищення блоку від пилу, використовуйте м'який рушник;

Якщо блок дуже брудний (жирний), використовуйте м'який миючий засіб для очищення.

Очищення решітки:

Використовуйте пиловловлювач або щітку.

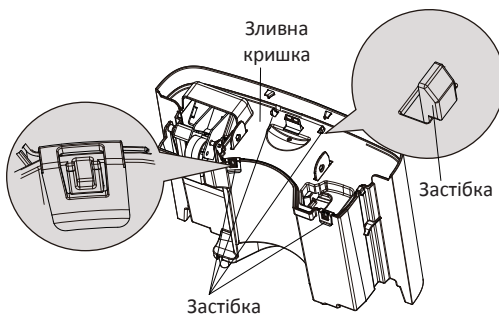
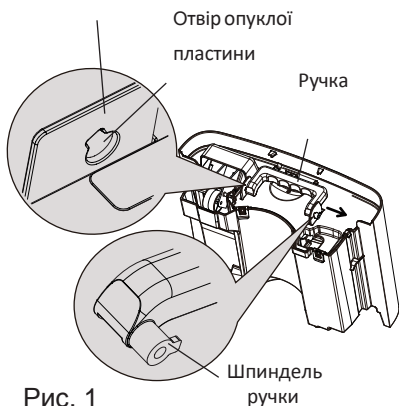


## 2. Ємність для конденсату

Кожні кілька тижнів, проводите очищення ємності для запобігання зростання цвілі, бактерій та інших мікроорганізмів. Використовуйте м'яку щітку для очищення, після якої ємність слід промити. Щоб витягти ємність для конденсату:

- (1) Поверніть шпindel ручки до отвору опуклою пластини. Потягніть ємність з боку ручки у напрямку стрілки. Зніміть ручку. (Мал. 1)
- (2) Натисніть на 4 пружки вниз навколо ємності. Підніміть зливну кришку. (Мал. 2)

Опукла пластина



- (3) Після очищення, встановіть назад зливну кришку і ручку, переконайтеся, що поплавець ємності розміщений правильно. Сторона з пінопласту повинна перебувати під зливною кришкою. Не знімайте пінопласт з поплавка.

### 3. Повітряний фільтр

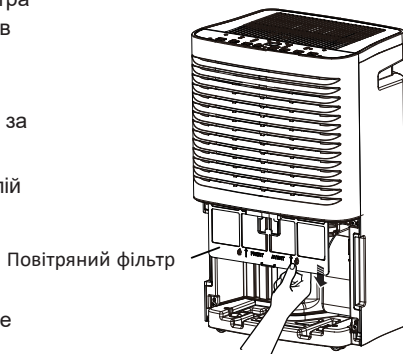
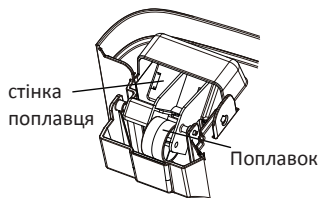
Осушувач нагадає про потребу очищення фільтра після 250 годин роботи. Якщо пристрій працює в кімнаті для паління, чистку фільтра слід проводити частіше.

Щоб зняти фільтр: витягніть ємність. Візьміться за край фільтра і витягніть її вниз.

Щоб почистити фільтр: Промийте фільтр в теплій воді з милом. Добре просушіть його.

#### ПОПЕРЕДЖЕННЯ:

- Не використовуйте осушувач без фільтра інакше випарник заб'ється пилом, що позначиться на роботі пристрою.
- Не сушіть повітряний фільтр феном для волосся. В іншому випадку фільтр може розплавитися або спалахнути.
- Не використовуйте пиловловлювач або щітку для чистки повітряного фільтра. Фільтр може пошкодитися.



#### Передсезонна перевірка

- Перевірте наявність вільного доступу до воздуховоду
- Перевірте стан шнура живлення і роз'єму для живлення.
- Перевірте чистоту повітряного фільтра.
- Перевірте цілісність зливного шланга.

#### Догляд після закінчення сезону

- Вимкніть живлення
- Очистіть повітряний фільтр і блок.
- Очистіть осушувач від пилу і бруду.
- Вилийте вміст ємності для конденсату

#### Тривале зберігання

Якщо ви не будете користуватися осушувачем тривалий час, ми рекомендуємо вам слідувати практичним порадам нижче, щоб зберегти пристрій в хорошому робочому стані.

- Переконайтеся, що ємність порожня, а зливний шланг від'єднаний
- Вимкніть осушувач і упакуйте шнур живлення.
- Очистіть пристрій, а потім упакуйте його добре для запобігання попадання пилу.

## Усунення несправності

- Не всі такі проблеми є несправностями.

Проблема	Можливі причини
Осушувач не працює. Він не реагує на установки.	<ul style="list-style-type: none"> <li>● Пристрій працює в районі, де температура вище, ніж 35°C або нижче 5°C.</li> <li>● Ємність для конденсату повна.</li> </ul>
Раптово з'являється шум під час роботи	<ul style="list-style-type: none"> <li>● Шум з'явиться разом з початком роботи компресора.</li> <li>● Проблеми з електроживленням.</li> <li>● Пристрій розміщено на нерівній підлозі.</li> </ul>
Вологість не зменшується. зменшується.	<ul style="list-style-type: none"> <li>● Площа осушення занадто велика. Потужності вашого осушувача не вистачає.</li> <li>● Відкриті двері.</li> <li>● Поруч може бути якийсь пристрій, яке виробляє пар.</li> </ul>
Мало відчутний або взагалі невідчутний ефект від роботи осушувача	<ul style="list-style-type: none"> <li>● Кімнатна температура занадто мала.</li> <li>● Рівень вологості неправильно виставлений.</li> <li>● Якщо пристрій працює в кімнаті, де температура від 5 до 15°C, він почне розморожувати автоматично. Компресор зупиниться протягом короткого періоду часу (вентилятор буде працювати на високій швидкості). Коли пристрій закінчив розмороження, він продовжить роботу в штатному режимі.</li> </ul>
При першому включенні, повітря на виході має затхлий запах	<ul style="list-style-type: none"> <li>● Через підвищення температури теплообмінника, повітря може мати дивний запах на початку роботи.</li> </ul>
Пристрій виробляє багато шуму.	<ul style="list-style-type: none"> <li>● Можлива поява шуму, коли пристрій розміщено на дерев'яній підлозі</li> </ul>
Чути свист.	<ul style="list-style-type: none"> <li>● Все нормально. Його видає потік охолоджувача</li> </ul>

- Проблеми витoku води.

Проблема	Можливі причини	Рішення
При використанні зливного шланга в ємності накопичується вода.	<ul style="list-style-type: none"> <li>● Перевірте зливне з'єднання.</li> </ul>	<ul style="list-style-type: none"> <li>● З'єднайте шланг щільно.</li> </ul>
	<ul style="list-style-type: none"> <li>● Зливний шланг забруднився</li> </ul>	<ul style="list-style-type: none"> <li>● Прочистіть шланг.</li> </ul>
	<ul style="list-style-type: none"> <li>● Зливний шланг неправильно встановлений.</li> </ul>	<ul style="list-style-type: none"> <li>● Зніміть зливний шланг і з'єднайте його заново. Переконайтеся, що шланг правильно з'єднаний.</li> </ul>

- **Осушитель не включается.**

Проблема	Можливі причини	Рішення
Світлодіод живлення не горить, коли пристрій підключено до мережі.	<ul style="list-style-type: none"> <li>● Відсутнє живлення або розетка погано підключена.</li> </ul>	<ul style="list-style-type: none"> <li>● Перевірте, чи відсутнє живлення. Якщо так, чекайте відновлення живлення.</li> <li>● Якщо нічого не відбувається, перевірте, чи був пошкоджений ланцюг або розетка.</li> <li>● Перевірте справність вилки.</li> <li>● Перевірте цілісність шнура</li> </ul>
	<ul style="list-style-type: none"> <li>● Згорів запобіжник</li> </ul>	<ul style="list-style-type: none"> <li>● Замініть запобіжник.</li> </ul>
Горить індикатор наповненості ємності.	<ul style="list-style-type: none"> <li>● Ємність неправильно встановлена</li> <li>● Ємність повна.</li> <li>● Ємність відсутня.</li> </ul>	<ul style="list-style-type: none"> <li>● Спустоште ємкість та покладіть її на місце.</li> </ul>
Пристрій може функціонувати нормально, але не може включитися.	<ul style="list-style-type: none"> <li>● Встановлений рівень вологості занадто високий.</li> </ul>	<ul style="list-style-type: none"> <li>● Якщо вам потрібен осушувач, натисніть на кнопку, що зменшити значення або натисніть на іншу кнопку для включення постійного осушення.</li> </ul>

- **Осушувач не працює належним чином**

Недостатнє осушення	<ul style="list-style-type: none"> <li>● Перевірте свободу простору навколо пристрою.</li> </ul>	<ul style="list-style-type: none"> <li>● Переконайтеся, що штори, меблі або інші предмети блокують роботу осушувача</li> </ul>
	<ul style="list-style-type: none"> <li>● Повітряний фільтр в пилу або забитий</li> </ul>	<ul style="list-style-type: none"> <li>● Очистіть фільтр</li> </ul>
	<ul style="list-style-type: none"> <li>● Двері і вікна відкриті.</li> </ul>	<ul style="list-style-type: none"> <li>● Переконайтеся, що всі двері і вікна, інші відкриваються назовні отвори, закриті.</li> </ul>
	<ul style="list-style-type: none"> <li>● Температура в приміщенні занадто низька.</li> </ul>	<ul style="list-style-type: none"> <li>● Тепла температура сприятлива для пристрою. Низка температура негативно вплине на роботу пристрою. Пристрій повинен працювати в місці, де температура вище 5°C.</li> </ul>



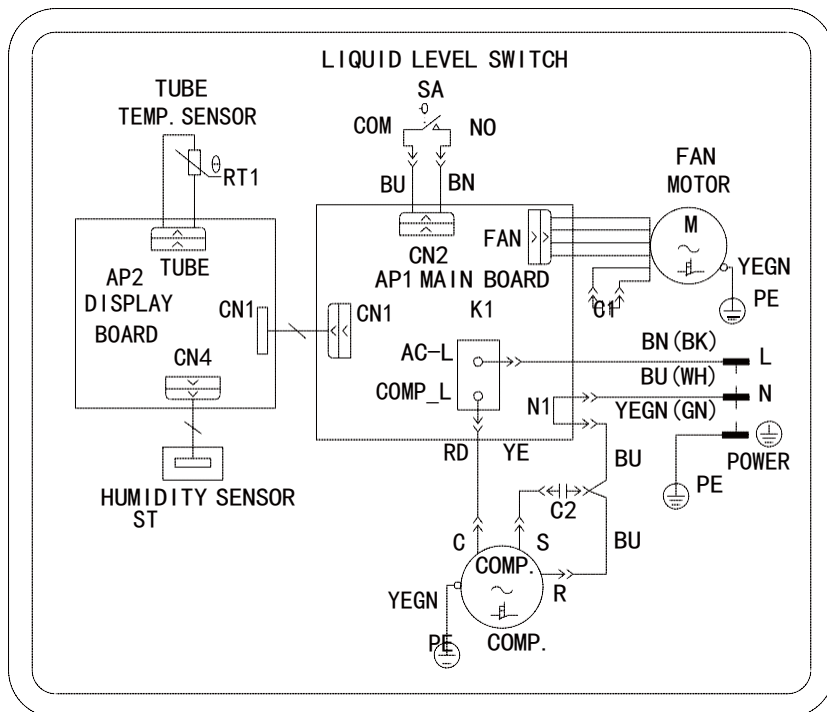
# Коди помилок

## • Коди несправностей пристрою

№	Опис несправності	Код	Умови пристрою	Можливі причини
		Дисплей		
1	Несправність сенсора температури зовнішнього середовища	F1	Мотор компресора і вентилятора зупинилися. Кнопка не працює.	<ul style="list-style-type: none"> <li>Сенсор температури навколишнього середовища відключений або погано приєднаний з платою дисплея.</li> </ul>
				<ul style="list-style-type: none"> <li>Деякі елементи дисплея, можливо, змістилися вниз і викликали коротке замикання.</li> </ul>
				<ul style="list-style-type: none"> <li>Сенсор температури пошкоджено (Будь ласка, зверніться до Контрольної таблиці для встановлення опору сенсора температури).</li> </ul>
				<ul style="list-style-type: none"> <li>Плата дисплея пошкоджена</li> </ul>
2	Несправність трубного температурного сенсора	F2	Мотор компресора і вентилятора зупинилися. Кнопка не працює.	<ul style="list-style-type: none"> <li>Сенсор температури на випарнику відключений або погано з'єднаний з платою дисплея.</li> </ul>
				<ul style="list-style-type: none"> <li>Деякі елементи дисплея, можливо, змістилися вниз і викликали коротке замикання.</li> </ul>
				<ul style="list-style-type: none"> <li>Сенсор температури пошкоджено (Будь ласка, зверніться до Контрольної таблиці для встановлення опору сенсора температури).</li> </ul>
				<ul style="list-style-type: none"> <li>Плата дисплея пошкоджена</li> </ul>
3	Несправність сенсора вологості	L1	Мотор компресора і вентилятора зупинилися. Кнопка не працює.	<ul style="list-style-type: none"> <li>Сенсор вологості замкнув.</li> <li>Сенсор вологості пошкоджений.</li> <li>Плата дисплея пошкоджена.</li> </ul>

№	Опис несправності	Код	Умови пристрою	Можливі причини
		Дисплей		
4	Система захисту від нестачі фреону	F0	Компресор зупинився; мотор вентилятора продовжує працювати	<ul style="list-style-type: none"> <li>● Витікає холодоагент</li> <li>● Система засмічена</li> </ul>
5	Захист від перевантаження	H3		<ul style="list-style-type: none"> <li>● Невідповідні умови навколишнього середовища.</li> <li>● Випарник і конденсатор засмічені.</li> <li>● Система має дефекти.</li> </ul>

## Схема електрична принципова



Модель		CH-D008WD5-20LD	CH-D014WD5-30LD
Продуктивність	л/добу	20	30
Споживча потужність	Вт	285	500
Температурний діапазон	°C	+5/+35	+5/+35
Потвітряний потік	м³/час	150/135/125	275/225/200
Емність резервуару	л	4,7	7
Рівень шуму	дБ(А)	36/34/33	39/37/35
Вага	кг	15,5	18,5
Габарити(Д*В*Г)	мм	355*495*280	380*610*285
Тип хладогента		R134	R134

Designed by Cooper&Hunter International Corporation, Oregon, USA  
[www.cooperandhunter.com](http://www.cooperandhunter.com)  
E-mail: [info@cooperandhunter.com](mailto:info@cooperandhunter.com)

\* Cooper&Hunter постійно працює над поліпшенням своєї продукції, тому інформація наведена в цьому посібнику, може бути змінена без попереднього повідомлення споживачів.



66160000411