



**WATER-COOLED  
WATER CHILLERS  
WITH SCREW  
COMPRESSORS**

**WSH-2**

**2.200-2.230-2.260-2.280-**

**2.300-2.360-2.400-2.440-**

**WATER-WATER  
HEAT PUMPS  
WITH SCREW  
COMPRESSORS**

**WSHH-2**

**3.450-3.540-3.580-3.620-3.660**

## RECEPTION/POSITIONING

### CONTENTS:

**INSPECTION UPON RECEPTION  
HANDLING  
FUNCTIONAL CLEARANCES  
WEIGHT DISTRIBUTION AND CENTRE OF GRAVITY**

**INSTALLATION OF ANTIVIBRATION MOUNTS  
REMOVING THE PACKING**

### INSPECTION UPON RECEPTION

The units are shipped in special protective packaging. Check upon receipt that the unit has not been damaged during transport, and that all the parts ordered are present. In the event of visible damage, immediately note the damage found on the shipping document, writing: **"ACCEPTED WITH RESERVATION DUE TO EVIDENT**

**DAMAGE TO THE PACKAGING"**, as both freight-paid and freight-charged deliveries are covered by insurance in accordance with Italian **law no. 450, 22/08/85**, "limits of compensation".

## IMPORTANT

ALL THE FOLLOWING OPERATIONS MUST BE CARRIED OUT IN COMPLIANCE WITH THE SAFETY STANDARDS IN FORCE, RELATING TO BOTH THE EQUIPMENT AND THE METHODS USED.

## CAUTION

BEFORE PERFORMING THE HANDLING OPERATIONS, CHECK THAT:  
THE HOISTING CAPACITY IS SUITABLY-RATED FOR THE WEIGHT OF THE UNIT IN QUESTION  
THE DISTRIBUTION OF THE WEIGHTS AT PAGE 3 MUST BE CAREFULLY CONSIDERED

Sizes		2.200	2.230	2.260	2.280	2.300	2.360	2.400	2.440	3.450	3.540	3.580	3.620	3.660
<b>Acoustic configuration ST</b>														
Operation weight	kg	2646	3038	3197	3725	3764	4144	4489	4541	5570	6475	6497	6580	6602
Shipping weight	kg	2439	2731	2902	3392	3426	3792	4057	4102	5101	5818	5833	5948	5963
<b>Acoustic configuration LN</b>														
Operation weight	kg	2802	3194	3353	3898	3937	4317	4662	4714	5775	6680	6702	6785	6807
Shipping weight	kg	2595	2887	3058	3565	3599	3965	4230	4275	5306	6023	6038	6153	6168

## WARNINGS

THE INSTRUCTIONS PROVIDED ON THE OUTSIDE OF THE PACKAGING MUST BE FOLLOWED SO AS TO ENSURE THAT THE UNIT IS PHYSICALLY INTACT AND FUNCTIONAL, TO THE BENEFIT OF THE END USER. THEREFORE, PLEASE HEED THE FOLLOWING WARNINGS:

- HANDLE WITH CARE
- KEEP DRY
- ALWAYS PLACE THE UNIT VERTICALLY
- AVOID STACKING OTHER OBJECTS ON THE UNITS AT ALL COSTS

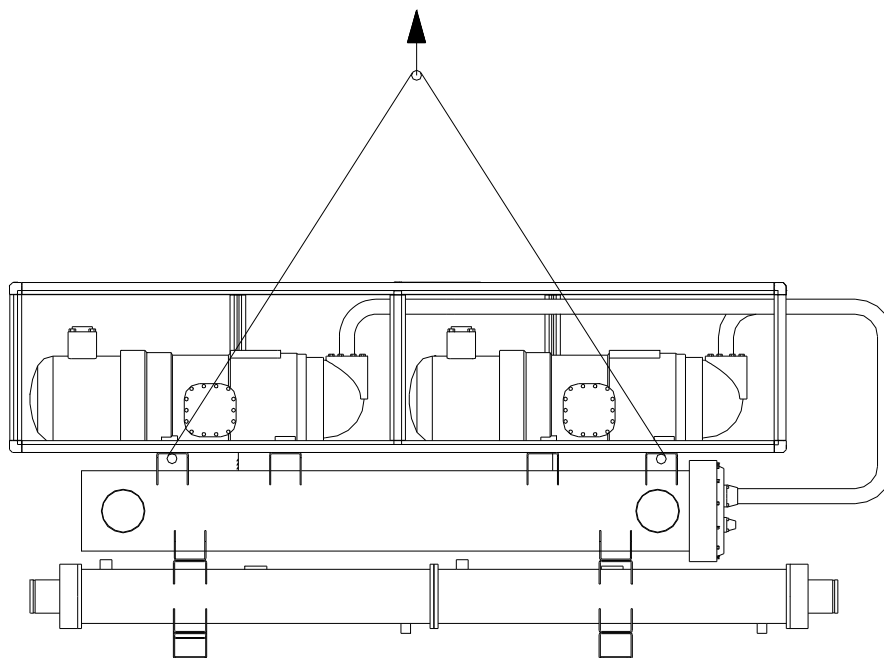
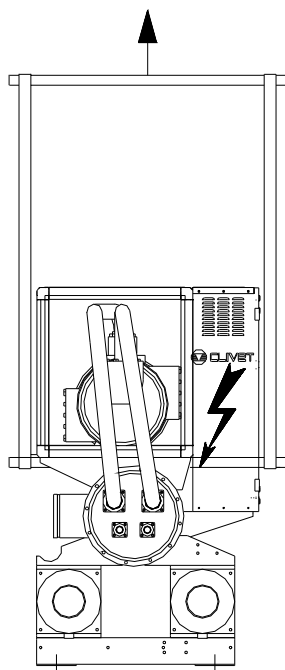


**R3E0GB-3**

## HANDLING

### HOSTING USING A CRANE OR SIMILAR.

- Position the lifting pipes, supplied, in the holes on the base of the unit.
- Position the ends of the pipes that protrude from the unit so that the safety pins (supplied) can be placed in the corresponding holes.
- Fit the lifting belts over the pipes between the safety devices and the base of the unit (see drawing).
- Gradually bring the lifting belts under tension, making sure they are positioned correctly. Make sure the unit is always in steady equilibrium.
- Start hoisting the unit.



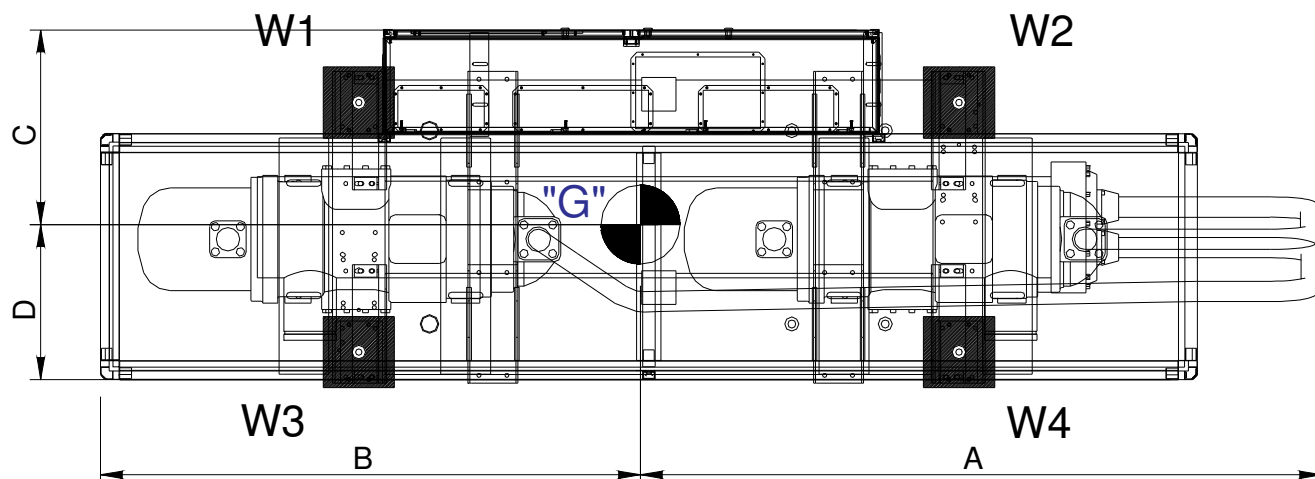
## FUNCTIONAL CLEARANCES

The choice of the installation site of the unit is of fundamental importance for its correct operation. The unit requires minimum clearances for operation and maintenance. The diagram below shows the minimum clearances to be observed.

### IMPORTANT

WHEN PLACING THE UNIT, PLEASE MAKE SURE THAT THE FUNCTIONAL CLEARANCES ALLOW ALL MAINTENANCE OPERATIONS TO BE PERFORMED. THIS IS REQUIRED FOR OPTIMUM UNIT OPERATION AND PARTICULARLY FOR THE SAFETY OF AUTHORISED PERSONNEL AND EXPOSED PERSONS

## WEIGHT DISTRIBUTION AND CENTRE OF GRAVITY



### Acoustic configuration ST

Sizes	2.200	2.230	2.260	2.280	2.300	2.360	2.400	2.440	3.450	3.540	3.580	3.620	3.660
<b>DIMENSIONS</b>													
<b>A</b>	1985	1923,5	1878,5	2380	2388	2069	2217	2479	2167	2366	2371	2364	2362
<b>B</b>	1937	1991,5	2036,5	1850	1839	2288	2148	1886	1995	2304	2299	2306	2308
<b>C</b>	612,5	619,5	624,5	626	604	632	614	634	1009	967	965	968	968
<b>D</b>	521,5	514,5	509,5	496	518	490	508	488	991	1033	1035	1032	1032
<b>WEIGHTS</b>													
<b>W1</b>	594	688	677	924	935	987	715	1062	893	946	955	951	955
<b>W2</b>	800	886	960	920	932	993	1409	1095	1632	1981	1990	2020	2025
<b>W3</b>	533	640	646	943	950	1078	796	1173	1077	1147	1152	1155	1161
<b>W4</b>	719	824	915	939	947	1085	1569	1211	1968	2402	2401	2455	2461

### Acoustic configuration LN

Sizes	2.200	2.230	2.260	2.280	2.300	2.360	2.400	2.440	3.450	3.540	3.580	3.620	3.660
<b>DIMENSIONS</b>													
<b>A</b>	1995	1935	1891,5	2377	2388	2067	2217	2480	2203	2375	2380	2373	2371
<b>B</b>	1927	1980	2023,5	2043	2032	2393	2251	1988	1959	2295	2290	2297	2299
<b>C</b>	621,5	627	631,5	626	622	638	614	639	1007	967	965	969	968
<b>D</b>	512,5	507	502,5	496	500	484	508	483	993	1033	1035	1031	1032
<b>WEIGHTS</b>													
<b>W1</b>	623	720	709	950	964	1016	747	1091	926	983	991	986	993
<b>W2</b>	822	905	978	948	962	1022	1435	1125	1692	2040	2051	2081	2084
<b>W3</b>	585	695	700	1001	1007	1136	849	1230	1117	1189	1192	1196	1203
<b>W4</b>	772	874	966	999	1005	1143	1631	1269	2041	2467	2468	2522	2527

**Nota:** dimensions in mm, weights in kg.

## INSTALLATION OF ANTIVIBRATION MOUNTS

Before positioning the unit check that the floor is level and sufficiently sturdy.

So as to avoid transmitting vibrations from the unit in operation to the structure, antivibration mounts should be installed underneath the support points of the unit.

As a minimum, at least one layer of rubber should be placed between the support points and the base of the unit.

Rubber antivibration mounts can be supplied upon customer request and positioned by the installer below each fastening point on the unit.

The table on page 5 describes the distribution of weights at all four points of support. This also describes the type of antivibration mounts to be used, and the product code of the antivibration devices.

To avoid damaging the water pipes, suitable antivibration joints should also be used for the pipes.

Example of antivibration mount selection:

For unit 2.200 standard acoustic configuration order antivibration kit PE980005.

Combine the support:

W1 with antivibration mount C6100026

W3 with antivibration mount C6100026

W2 with antivibration mount C6100028

W4 with antivibration mount C6100028

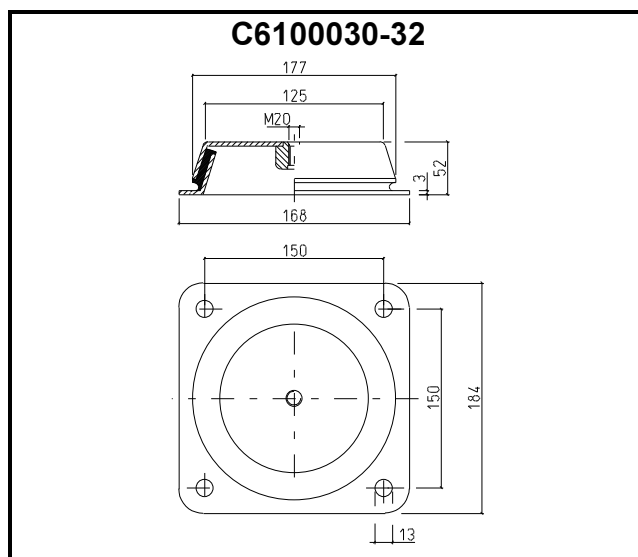
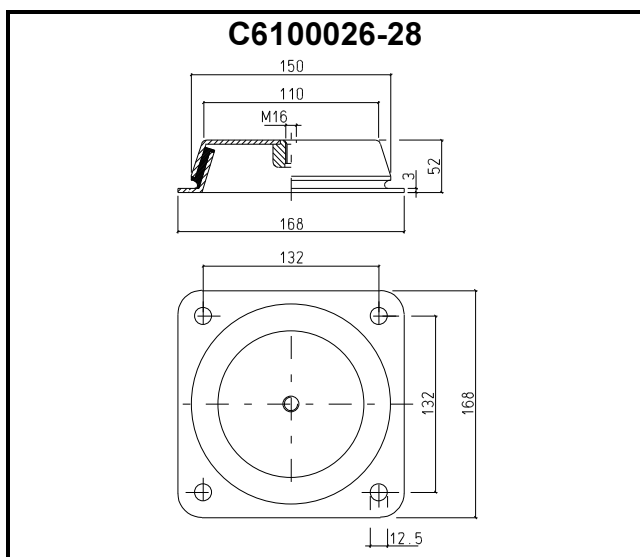
**Table showing the combination of support and type of antivibration mount**

**Acoustic configuration ST**

Sizes	W1	W2	W3	W4	Antivibration mount code
2.200	C6100026	C6100028	C6100026	C6100028	PE980005
2.230	C6100026	C6100028	C6100026	C6100028	PE980005
2.260	C6100026	C6100028	C6100026	C6100028	PE980005
2.280	C6100028	C6100028	C6100028	C6100028	PE980006
2.300	C6100028	C6100028	C6100028	C6100028	PE980006
2.360	C6100026	C6100032	C6100026	C6100032	PE980030
2.400	C6100028	C6100030	C6100028	C6100032	PE980024
2.440	C6100028	C6100032	C6100028	C6100032	PE980007
3.450	C6100032	C6100030	C6100032	C6100030	PE960009
3.540	C6100032	C6100030	C6100030	C6100030	PE980029
3.580	C6100032	C6100030	C6100030	C6100030	PE980029
3.620	C6100030	C6100030	C6100030	C6100030	PE960008
3.660	C6100030	C6100030	C6100030	C6100030	PE960008

**Acoustic configuration LN**

Sizes	W1	W2	W3	W4	Antivibration mount code
2.200	C6100026	C6100028	C6100026	C6100028	PE980005
2.230	C6100028	C6100028	C6100026	C6100028	PE980026
2.260	C6100028	C6100028	C6100028	C6100028	PE960005
2.280	C6100028	C6100028	C6100028	C6100028	PE980006
2.300	C6100028	C6100028	C6100028	C6100028	PE980006
2.360	C6100026	C6100032	C6100026	C6100030	PE980030
2.400	C6100028	C6100030	C6100028	C6100030	PE980028
2.440	C6100028	C6100032	C6100028	C6100032	PE980007
3.450	C6100032	C6100030	C6100032	C6100030	PE960009
3.540	C6100030	C6100030	C6100030	C6100030	PE960008
3.580	C6100030	C6100030	C6100030	C6100030	PE960008
3.620	C6100030	C6100030	C6100030	C6100030	PE960008
3.660	C6100030	C6100030	C6100030	C6100030	PE960008



**REMOVING THE PACKING**

Remove the PVC and polystyrene packaging and the corresponding fasteners, making sure not to damage the unit. Dispose of the packaging by taking it to specialist collection or recycling centres (in accordance with local regulations).