



WATER CHILLER CONDENSERLESS  
IT CAN BE COUPLED WITH REMOTE  
CONDENSER CLIVET SERIES CEM

**MSE-2** 2.200-2.230-2.260-2.280-2.300-2.360-  
2.400-2.440-3.450-3.540-3.580-3.620-3.660

## RECEPTION/POSITIONING

### CONTENTS:

INSPECTION UPON RECEIPT  
HANDLING  
FUNCTIONAL CLEARANCES

INSTALLING ANTIVIBRATION MOUNTS  
REMOVING THE PACKING

### INSPECTION UPON RECEIPT

The units are delivered in special protective packing. When it arrives check the unit has not been damaged during transport and that it has been supplied complete with all the parts specified in the order. **If there is any visible damage make a note of it on the transport document, accompanied by the words: "ACCEPTED WITH RESERVATIONS DUE TO OBVIOUS DAMAGE TO PACKING"** since the delivery free ex factory includes cover for damage to be borne by the insurers in compliance with Italian **law N° 450 of 22.08.85 "limite di risarcibilità"**.

### IMPORTANT

EVERY OPERATION DESCRIBED BELOW MUST BE CARRIED OUT IN COMPLIANCE WITH THE SAFETY REGULATIONS IN FORCE CONCERNING BOTH THE EQUIPMENT USED AND THE OPERATING PROCEDURES ADOPTED.

### WARNING

ALWAYS MAKE SURE THAT THE LIFTING CAPACITY OF THE EQUIPMENT USED IS SUITABLE FOR THE WEIGHT OF THE UNIT IN QUESTION AND HOLD IN DUE CONSIDERATION THE WEIGHT DISTRIBUTION ON PAGE 3 BEFORE CARRYING OUT ANY HANDLING OPERATIONS

Sizes		2.200	2.230	2.260	2.280	2.300	2.360	2.400	2.440	3.450	3.540	3.580	3.620	3.660
<b>Acoustic configuration: Standard (ST)</b>														
Shipping weight	kg	1911	2192	2352	2547	2540	2916	2964	3114	4291	4970	5014	5138	5142
Operating weight	kg	2036	2414	2559	2769	2762	3138	3259	3409	4586	5432	5476	5561	5565
<b>Acoustic configuration: Extra low noise (EN)</b>														
Shipping weight	kg	2067	2348	2508	2718	2713	3089	3345	3295	4506	5184	5228	5352	5356
Operating weight	kg	2192	2570	2715	2940	2935	3311	3640	3590	4801	5646	5690	5775	5779

### WARNING

FOLLOWING THE ADVICE ON THE OUTSIDE OF THE PACKING WILL ENSURE THE UNIT REMAINS IN PERFECT CONDITION AND OPERATES CORRECTLY, TO THE BENEFIT OF THE END USER. THIS ADVICE IS AS FOLLOWS :

- HANDLE WITH CARE
- KEEP DRY
- UNDER NO CIRCUMSTANCES EVER PLACE OTHER OBJECTS ON TOP OF THE UNIT.

DO NOT LEAVE THE UNITS WITH HEAT-SHRINKING PROTECTION UNDER THE SUN. AS A MATTER OF FACT, THE PRESSURE OF THE CIRCUITS CAN REACH SUCH A VALUE TO TRIP THE SAFETY VALVES.

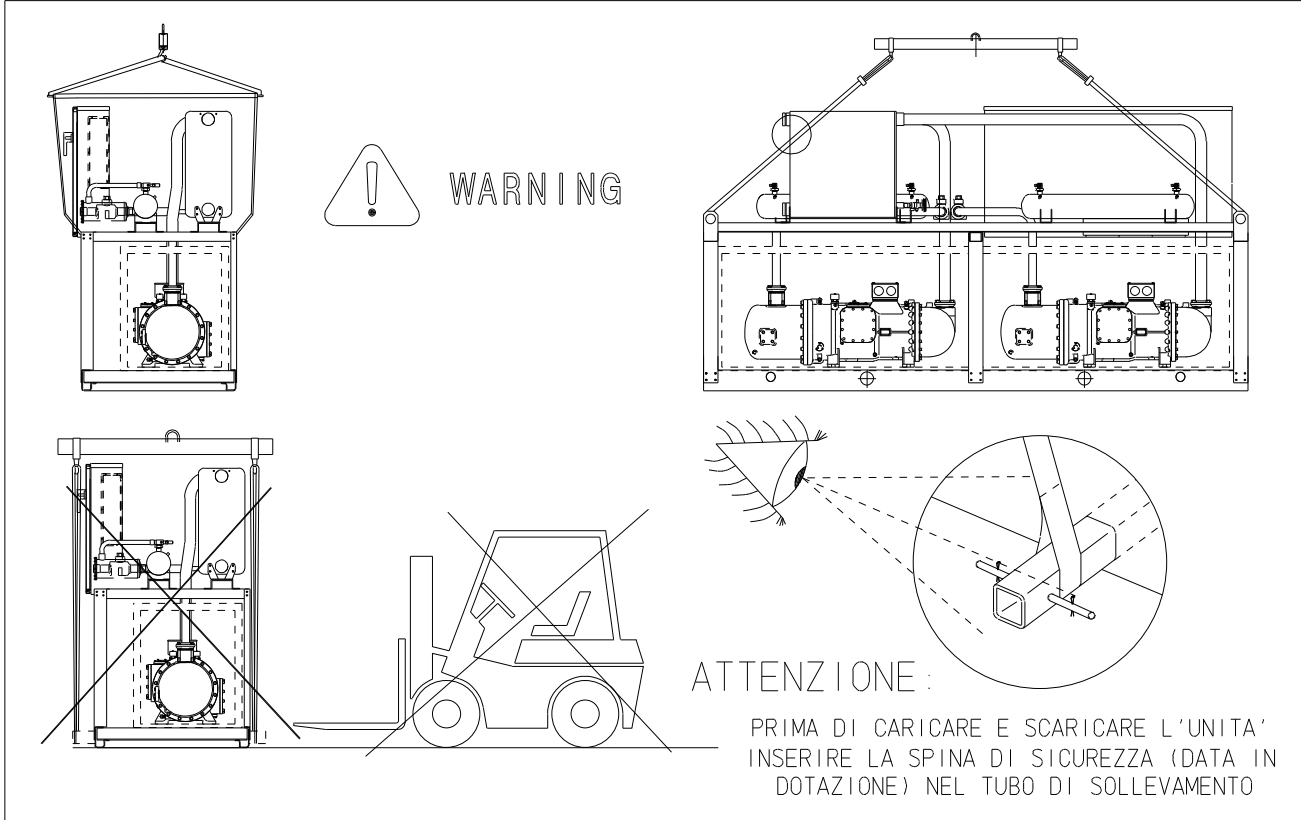


R3F0GB-2

## HANDLING

### HOISTING USING A CRANE OR SIMILAR

- Slide the provided lifting pipes into the holes in the base of the unit.
- Position the ends of the pipes that protrude from the unit so that you can insert the provided shear pins into the proper holes.
- Fit the lifting belts over the pipes between the safety rods and the base of the unit (see drawing).
- Gradually bring the lifting belts under tension, making sure they are positioned correctly. Make sure the unit is always in steady equilibrium.
- Start hoisting the unit.



## FUNCTIONAL CLEARANCES

Correct positioning of the units is essential for optimum operation.

When installing the units always observe the necessary operational and maintenance clearances which are reported in the drawing below.

### IMPORTANT

WHILE PLACING THE UNIT, PLEASE MAKE SURE THAT THE FUNCTIONAL CLEARANCES ALLOW THE PERFORMANCE OF THE MAINTENANCE OPERATIONS. THIS IS REQUIRED FOR OPTIMUM UNIT OPERATION AND PARTICULARLY FOR THE SAFETY OF AUTHORISED PERSONNEL AND EXPOSED PERSONS.

## INSTALLING ANTIVIBRATION MOUNTS

Check the floor leveling and sturdiness before the placement of the unit.

In order to avoid the transmission of vibration from the operating unit to its carrying structure, the use of antivibration materials to put under the supports of the unit is recommended. It is suggested to put a rubber layer between the points of support and the base of the unit, at least. Rubber antivibration mounts are supplied on demand and to be positioned by the installer under each point of support of the unit.

It is available to install proper antivibration on the water pipes in order to avoid the deformation of the pipes themselves.

Exemple of mount choice:

For size 2.230 ST standard acoustic configuration order PE980004.

Support:

W1 with antivibration mount C6100026  
W2 with antivibration mount C6100028

W3 with antivibration mount C6100026  
W4 with antivibration mount C6100026

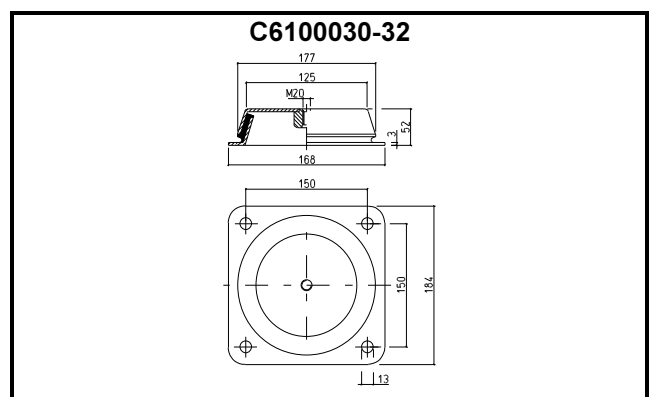
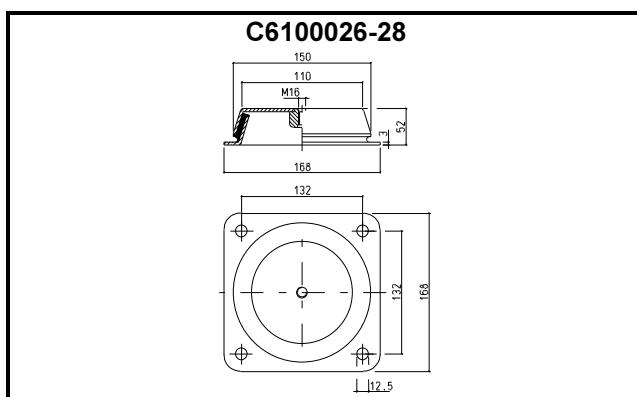
**Table point of support / antivibration mount**

Acoustic configuration: Standard (ST)

Size	Codice	W1	W2	W3	W4
2.200	PE980002	C6100024	C6100026	C6100024	C6100026
2.230	PE980004	C6100026	C6100028	C6100026	C6100026
2.260	PE980005	C6100026	C6100028	C6100026	C6100028
2.280	PE980005	C6100026	C6100028	C6100026	C6100028
2.300	PE980004	C6100026	C6100028	C6100026	C6100026
2.360	PE980033	C6100026	C6100028	C6100026	C6100032
2.400	PE980033	C6100026	C6100032	C6100026	C6100028
2.440	PE980006	C6100028	C6100028	C6100028	C6100028
3.450	PE980007	C6100028	C6100032	C6100028	C6100032
3.540	PE960007	C6100032	C6100032	C6100032	C6100032
3.580	PE960007	C6100032	C6100032	C6100032	C6100032
3.620	PE980032	C6100032	C6100032	C6100032	C6100030
3.660	PE980032	C6100032	C6100032	C6100032	C6100030

Acoustic configuration: Extra low noise (EN)

Size	Codice	W1	W2	W3	W4
2.200	PE980002	C6100024	C6100026	C6100024	C6100026
2.230	PE980005	C6100026	C6100028	C6100026	C6100028
2.260	PE980005	C6100026	C6100028	C6100026	C6100028
2.280	PE980026	C6100026	C6100028	C6100028	C6100028
2.300	PE980006	C6100028	C6100028	C6100028	C6100028
2.360	PE980033	C6100026	C6100028	C6100026	C6100032
2.400	PE980030	C6100026	C6100032	C6100026	C6100032
2.440	PE980006	C6100028	C6100028	C6100028	C6100028
3.450	PE980007	C6100028	C6100032	C6100028	C6100032
3.540	PE980032	C6100032	C6100032	C6100032	C6100030
3.580	PE980032	C6100032	C6100032	C6100032	C6100030
3.620	PE960009	C6100032	C6100030	C6100032	C6100030
3.660	PE960009	C6100032	C6100030	C6100032	C6100030



**REMOVING THE PACKING**

Make sure you don't damage the unit while removing the heat-shrinking PVC packaging.

Dispose of the packing so that it is taken to specialist collection or recycling centres (respect the valid regulations).