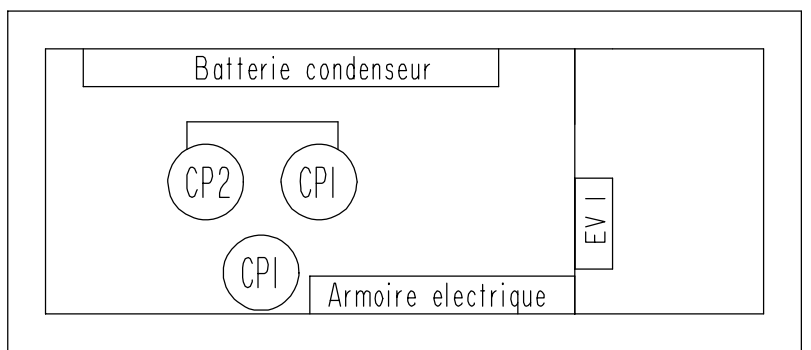


BRA
 OPTION ANTIGEL
 SONDE RESISTANCE EL
 ENCEINTE HYDRAULIQUE

1 CIRCUIT

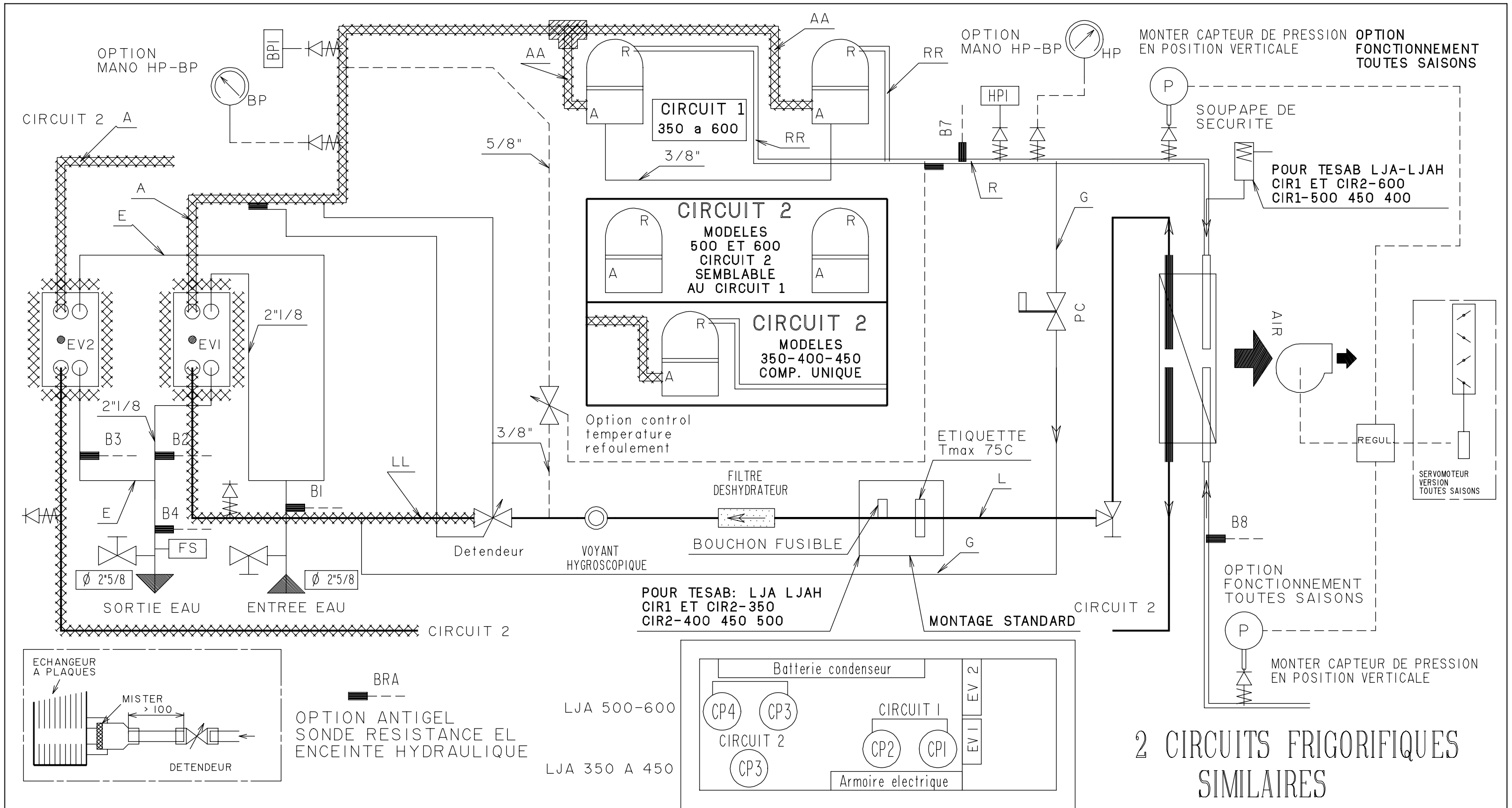
TAILLE 200 A 300
 TAILLE 100-150



S.FG.LJA-IC.3956291.31

	Evap Comp	∅ A	∅ AA	∅ R	∅ RR	∅ L	∅ D	∅ G	∅ C
100	7-40 10 CV	1"1/8	-----	3/4"	-----	5/8"	7/8"	5/8"	1"3/8
150	7-60 15 CV	1"3/8	-----	7/8"	-----	5/8"	1"1/8"	5/8"	1"3/8
200	14-30 10 + 10 CV	1"5/8	1"1/8	7/8"	3/4"	7/8"	1"1/8"	7/8"	2"1/8
250	14-50 15 + 10 CV	1"5/8	1"3/8 1"1/8	1"1/8 7/8"	3/4"	7/8"	1"1/8"	7/8"	2"1/8
300	14-50 15 + 15 CV	2"1/8	1"3/8	1"1/8 7/8"	7/8"	7/8"	1"3/8"	7/8"	2"1/8

B.H	31	25-10-99	AJOUT SONDE B7
MODIFIE PAR	IND	N.ETUDE	DATE
		APPAREIL OU UNITE LJA 100 A 300	
DESIGNATION SCHEMA FRIGORIFIQUE 1 CIRCUIT		MATIERE:	
NUMERO DE COMMANDE:		ECHELLE TRAITEMENT	
NOTE D'ETUDE:		MASSE:	
VERIFIE PAR:		REMPLACE PAR:	
DESSIN PAR: B.H		REMPLACE:	
DATE: 18-09-96		NUMERO DE PLAN 3956291	
DATE: 18-09-96		INDICE 31	



2 CIRCUITS FRIGORIFIQUES SIMILAIRES

S.FG.LJA-2C.3956290.35

	Ev Cir1	Ev Cir2	ØA		ØAA		ØR		ØRR		ØL		ØLL		ØG		ØE
	Cp Cir1	Cp Cir2	Cir1	Cir2	Cir1	Cir2	Cir1	Cir2	Cir1	Cir2	Cir1	Cir2	Cir1	Cir2	Cir1	Cir2	Cir2
350	14-30 20 CV	7-60 15 CV	1"5/8"	1"3/8"	1"1/8"	---	7/8"	7/8"	3/4"	---	7/8"	5/8"	1"1/8"	1"1/8"	7/8"	5/8"	1"3/8"
400	14-50 30 CV	7-40 10 CV	2"1/8"	1"1/8"	1"3/8"	---	1"1/8"	3/4"	7/8"	---	7/8"	5/8"	1"3/8"	7/8"	7/8"	5/8"	1"3/8"
450	14-50 30 CV	7-60 15 CV	2"1/8"	1"3/8"	1"3/8"	---	1"1/8"	7/8"	7/8"	---	7/8"	5/8"	1"3/8"	1"1/8"	7/8"	5/8"	1"3/8"
500	14-50 30 CV	14-30 20 CV	2"1/8"	1"5/8"	1"3/8"	1"1/8"	1"1/8"	7/8"	7/8"	3/4"	7/8"	7/8"	1"3/8"	1"1/8"	7/8"	7/8"	2"1/8"
600	14-50 30 CV	14-50 30 CV	2"1/8"	2"1/8"	1"3/8"	1"3/8"	1"1/8"	1"1/8"	7/8"	7/8"	7/8"	7/8"	1"3/8"	1"3/8"	7/8"	7/8"	2"1/8"

B.H	35	21-11-00	MISE A JOUR SPECIFICATIONS BOUCHONS ET SOUPAPES
MODIFIE PAR	IND	N.ETUDE	MODIFICATION
			APPAREIL OU UNITE LJA 350 A 600
CIAT COMPAGNIE INDUSTRIELLE D'APPLICATIONS THERMIQUES			DESIGNATION SCHEMA FRIGORIFIQUE 3 ET 4 COMPRESSEURS - 2 CIRCUITS
NUMERO DE COMMANDE:		DATE:	ECHELLE
NOTE D'ETUDE:		DATE:	FOLIO
VERIFIE PAR:		DATE:	1/1
DESSIN PAR:		DATE: 10-09-96	FORMAT
		B.H	A3
			TRAITEMENT
			MASSE:
			REMPLECE PAR:
			REMPLECE:
		NUMERO DE PLAN	INDICE
		3956290	35