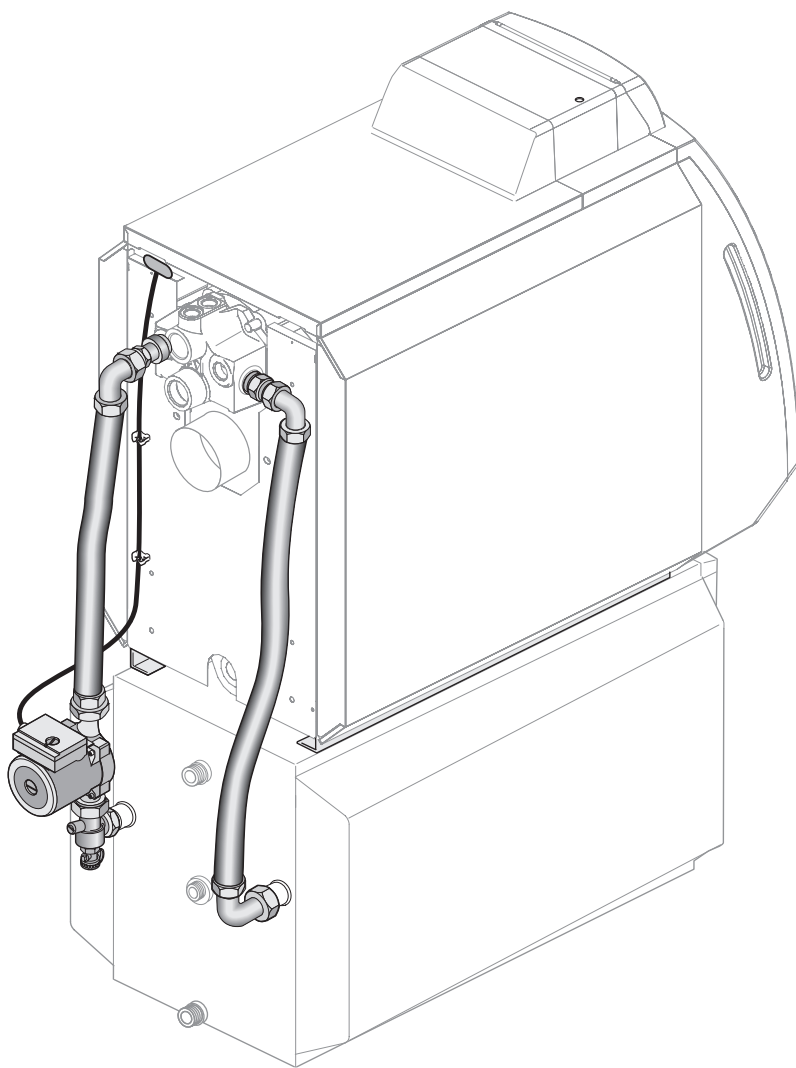


Logano G215/G225  
Logalux LT160/LT200



Buderus

<b>1</b>	.....	<b>3</b>
<b>2</b>	.....	<b>4</b>
<b>3</b>	.....	<b>5</b>
3.1	- .....	<b>5</b>
3.2	.....	<b>7</b>
3.3	/ .....	<b>8</b>
3.4	/ .....	<b>9</b>
<b>4</b>	.....	<b>10</b>
<b>5</b>	.....	<b>11</b>

Logano G225.

Logano G215   Logano G225   -  
 Logalux LT160/LT200.



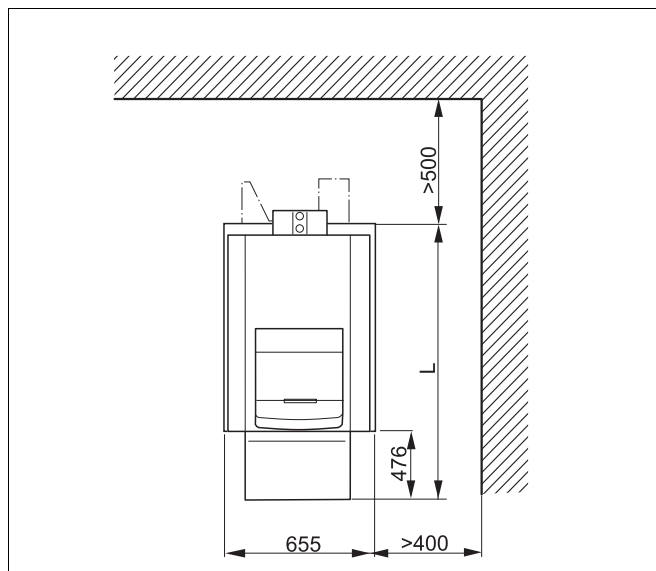
1



(.1).

	L <sub>1</sub>
L160	1398
L200	1553

.1



.1

( )

## 2

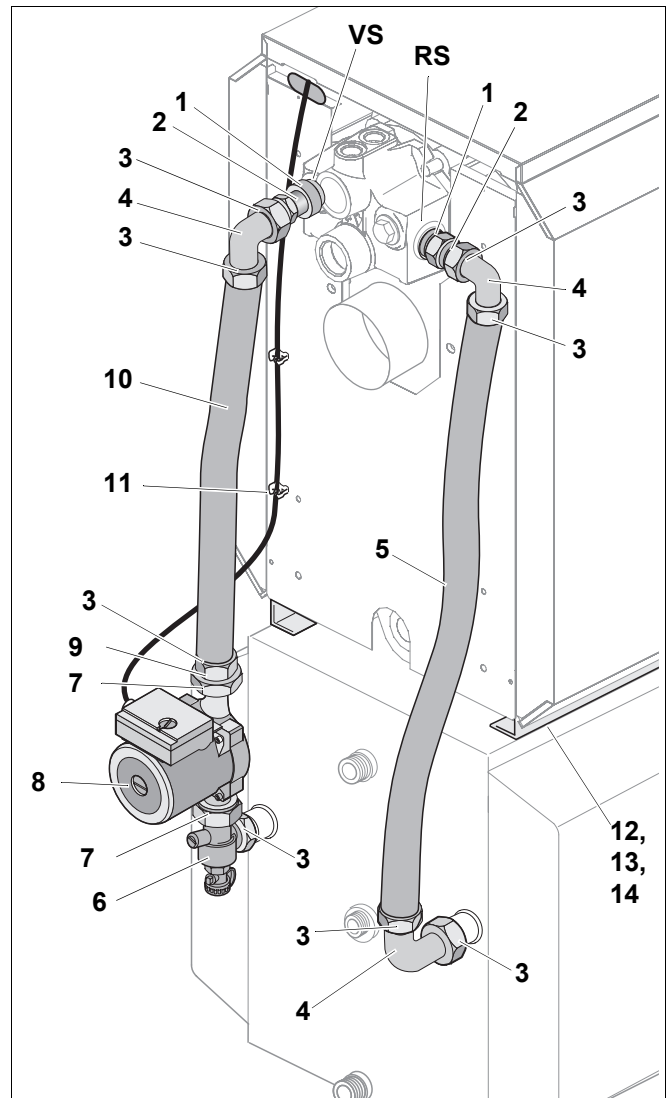


	[ . ]	. 2
	1	
Ø 35 x 3	2	1
G 1	2	2
Ø 24 x 30,5 x 2	8	3
G 1	3	4
950 DN 25,	1	5
	1	6
Ø 28 x 44 x 2	2	7
	1	8
G 1½ x G 1	1	9
800 DN 25,	1	10
	2	11

. 2

	[ . ]	. 2
	2	12
M10 x 25	4	13
M8 x 25	2	14

. 3



. 2

### 3

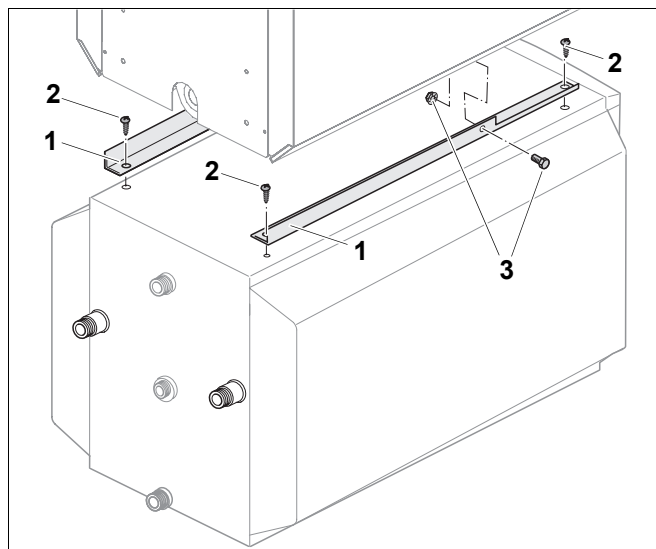


### 3.1

(.3, .1)  
 (.3, .2)  
 (.3).

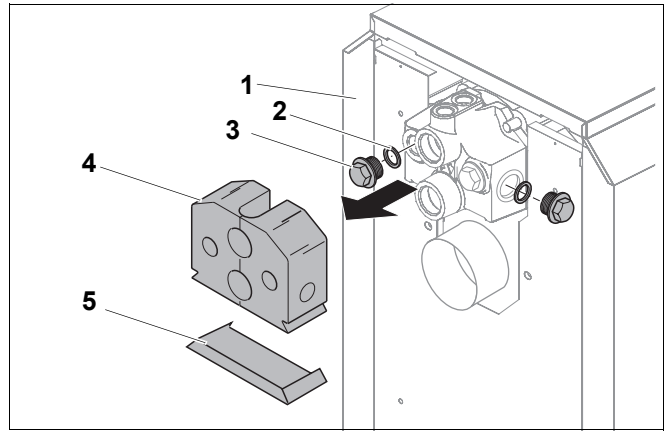


M8 x 25 (.3, .3)



- .3
- .1:
- .2: M10 x 25
- .3: M8 x 25

( .4, .4)  
 ( .4, .5)  
 ( .4, .1)  
 ( .4, .2) ( .4, .3)  
 ( .4, .4)  
 ( .4, .5)



- . 4
- . 1:
- . 2:
- . 3:
- . 4:
- . 5:

3.2



.5.

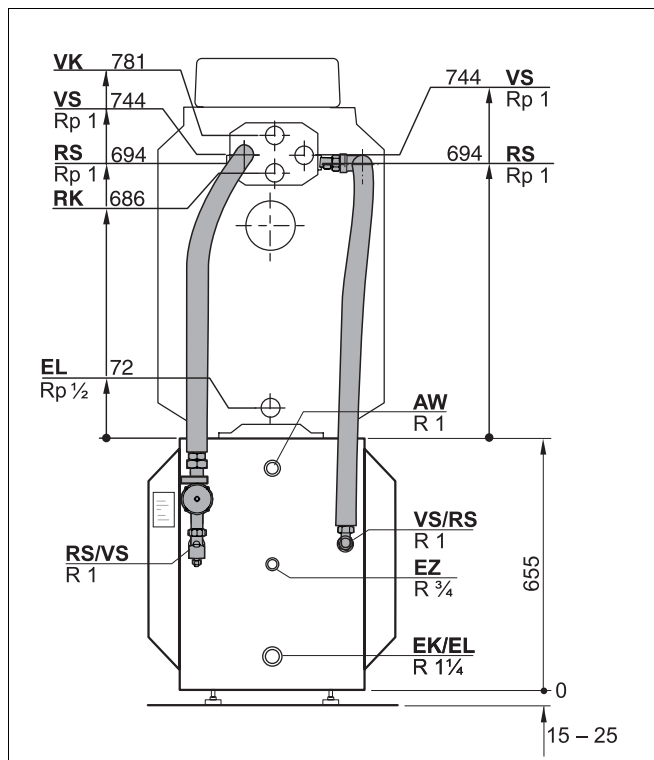


75  
80



( 60 ).

1/8



.5

- AW =
- EK =
- EL =
- EZ =
- RK =
- RS =
- VK =
- VS =
- VSL =

## 3.3

( .6, .1)  
( .6, .2)

( .6).

( .6, .3)  
( .6, .4)

( .6, .3)

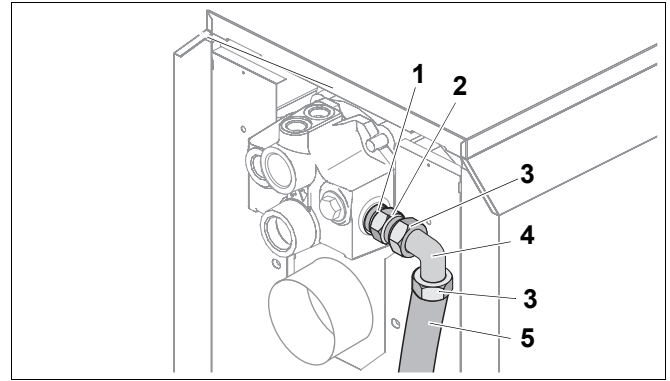
( .6, .5)

( .7, .2)  
( .7, .3)  
(RS).

( .7, .2)

( .7, .1)

/



.6

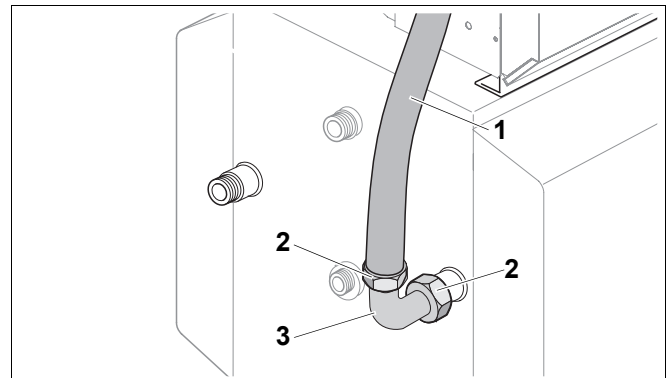
.1:  $\text{Ø } 35 \times 3$

.2: G 1

.3:  $\text{Ø } 24 \times 30,5 \times 2$

.4: G 1

.5:



.7

.1:

.2:  $\text{Ø } 24 \times 30,5 \times 2$

.3: G 1



3.4

(.8, .1)  
(.8, .2)

(.8, .3)  
(.8, .4)

(.8, .3)

(.8, .5)  
(.8, .4)

(.9, .1)  
(.9, .2)

(.9, .3)  
(.9, .4)

(.9, .3)  
(.9, .5)

(.9, .4)

(.8, .5)

(.9, .1)

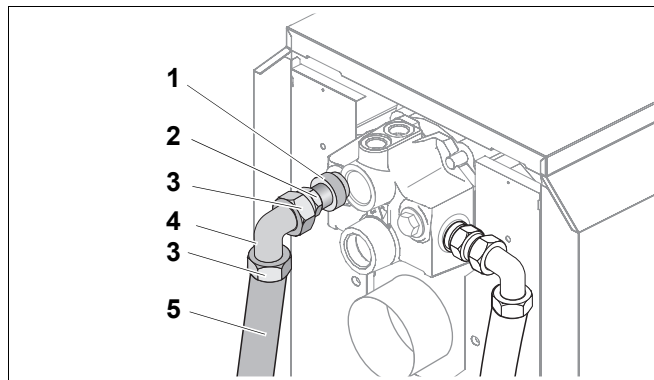
(.9, .5) (.8, .4)

(.8, .4)  
(.9, .5)

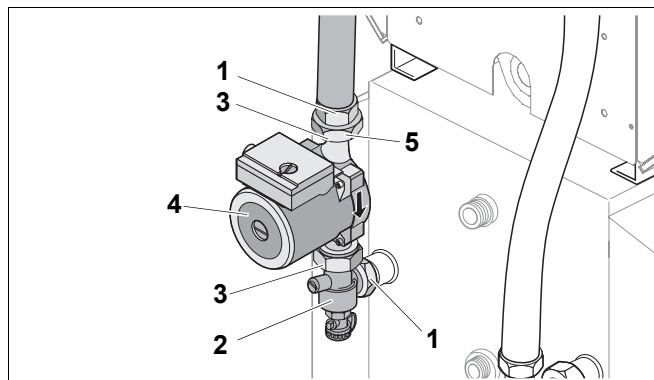


(.3.2)

/

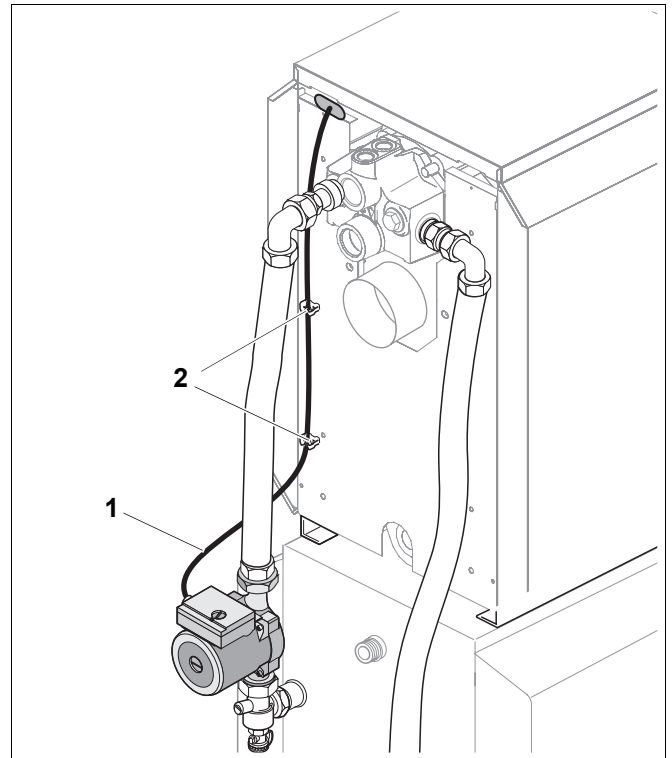


- .8
- .1: Ø 35 x 3
- .2: G 1
- .3: Ø 24 x 30,5 x 2
- .4: G 1
- .5:



- .9
- .1: Ø 24 x 30,5 x 2
- .2:
- .3: Ø 28 x 44 x 2
- .4:
- .5: G 1½ x G 1

## 4



. 10

. 1:

. 2:

5

( . 11, . 2)  
 ( . 11, . 3)  
 ( ).

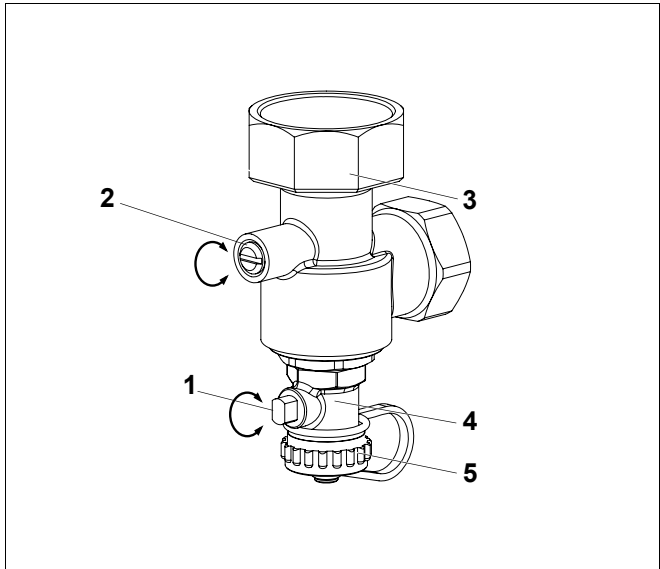
( . 11, . 5) -  
 ( . 11, . 4),  
 ( . 11, . 1)  
 ( ).

( . 11, . 4).

( . 11, . 2) ( ).

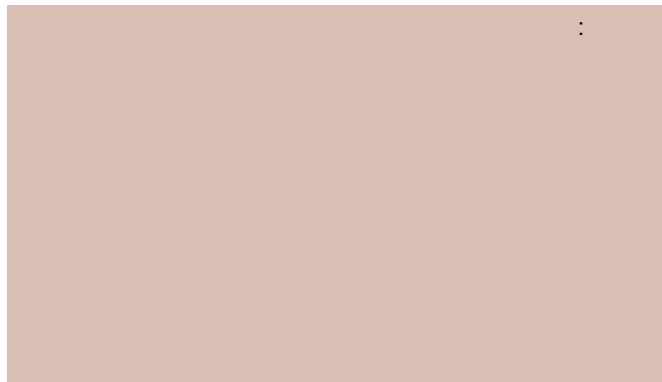
( . 11, . 4).

( . 11, . 4).



- . 11
- . 1:
- . 2:
- . 3:
- . 4:
- . 5:





# **Buderus**

BBT Thermotechnik GmbH, D-35573 Wetzlar  
[www.heiztechnik.buderus.de](http://www.heiztechnik.buderus.de)  
[info@heiztechnik.buderus.de](mailto:info@heiztechnik.buderus.de)