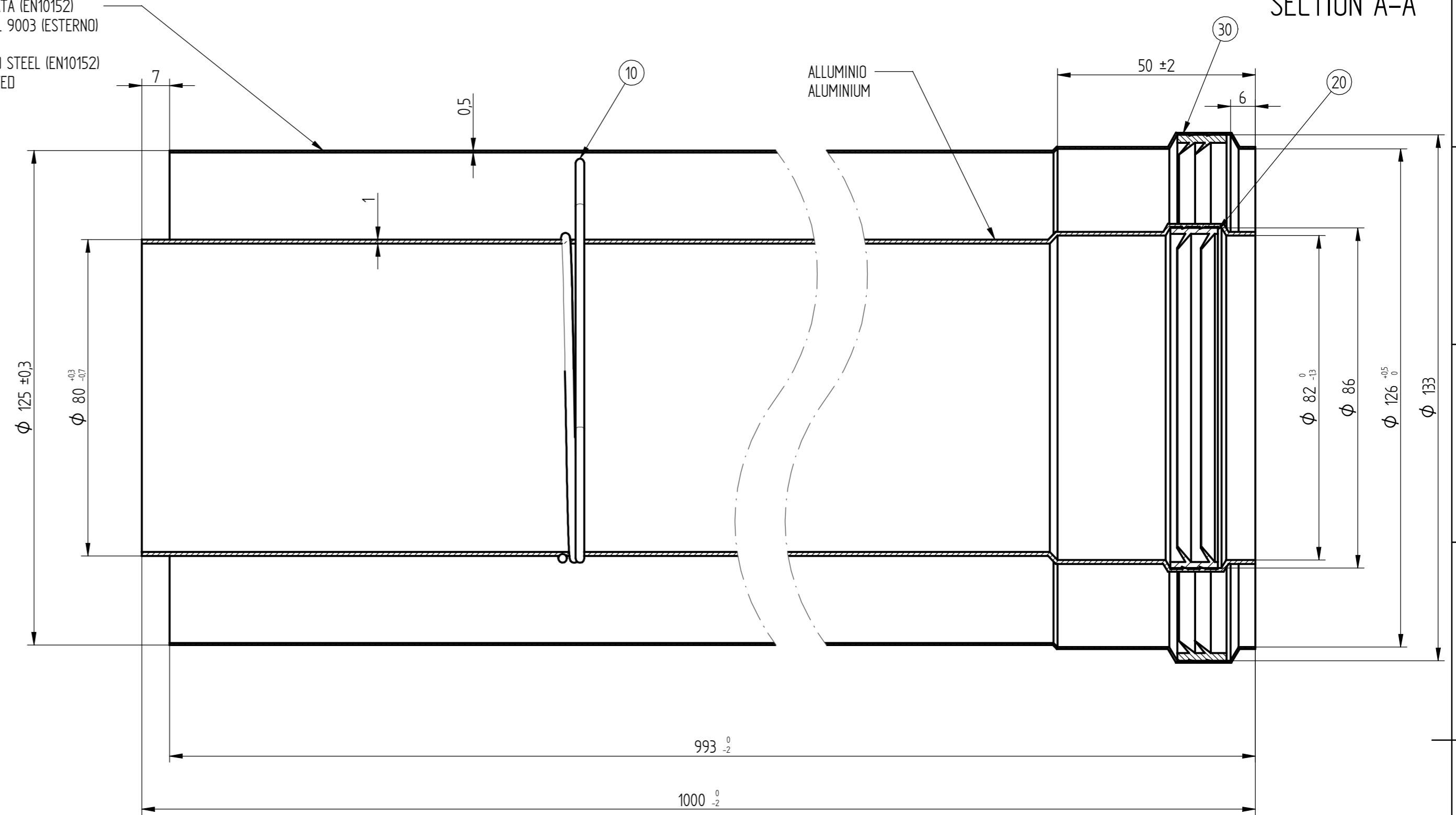
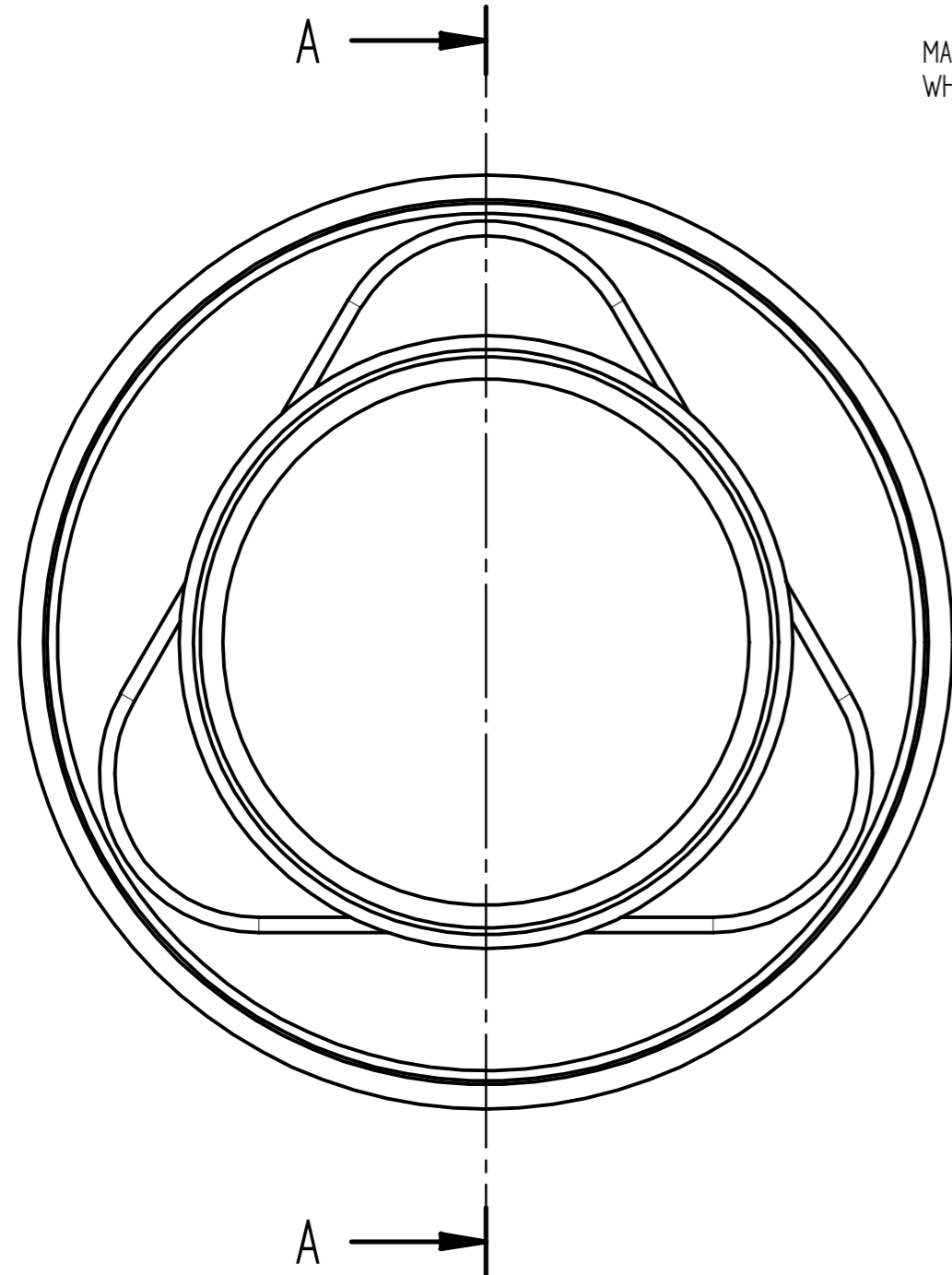


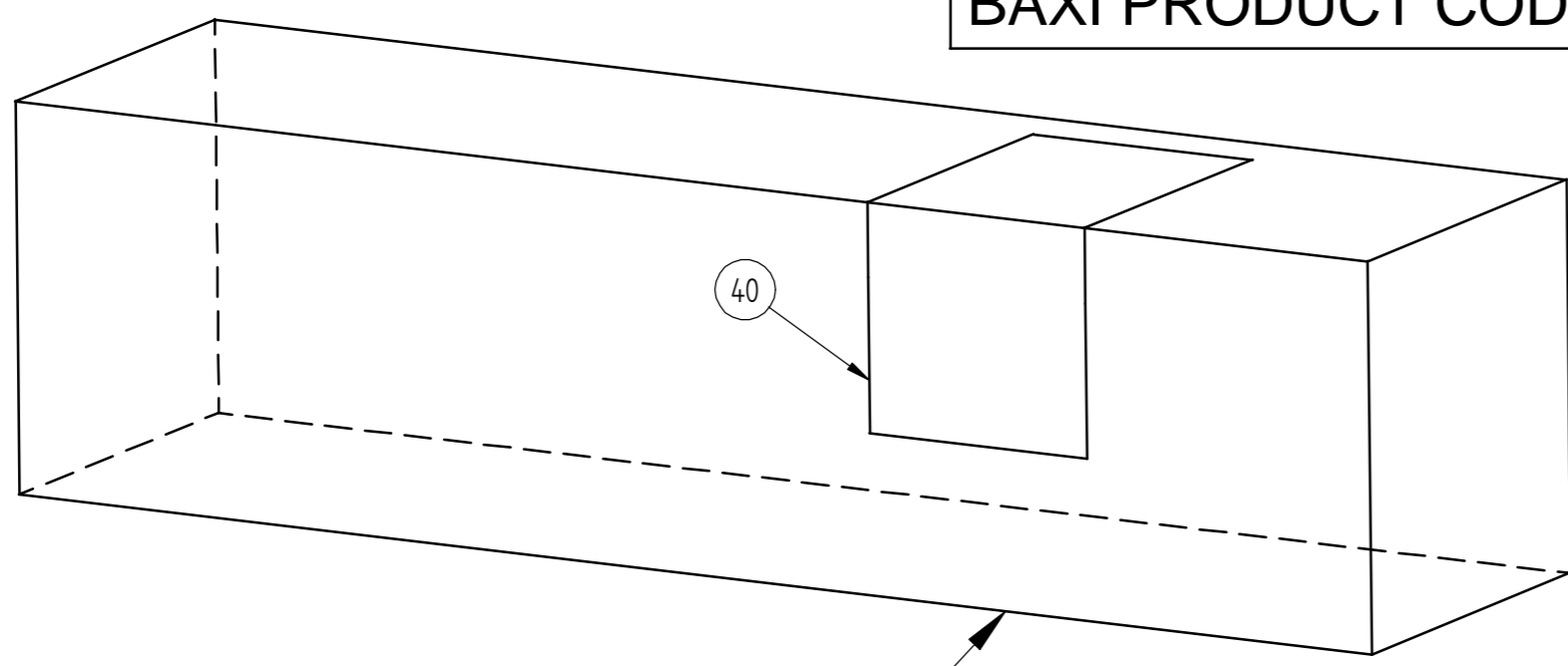
SECTION A-A

LAMIERA ELETTROZINCATA (EN10152)  
VERNICIATO BIANCO RAL 9003 (ESTERNO)  
MATERIAL: ZINC COATED STEEL (EN10152)  
WHITE RAL 9003 PAINTED

ALLUMINIO  
ALUMINIUM



BAXI PRODUCT CODE: KHG714140410



SCATOLA CARTONE 1030x140x140  
CARTON BOX 1030x140x140

NOTA: DISEGNO SCATOLA NON IN SCALA  
NOTE: THE DRAWING OF THE BOX IS ONLY INDICATIVE

NOTA:  
IL PRODOTTO DEVE ESSERE FORNITO IN UNA SCATOLA DI CARTONE IN CUI DEVONO ESSERE PRESENTI LE ETICHETTE IMBALLO, COME MOSTRATO NELLA FIGURA.  
NOTE:  
THE ITEM MUST BE SUPPLIED IN THE CARTON BOX, IN WHICH MUST BE GLUE ON THE PACK. LABELS, AS SHOWN IN THE DRAWING.

40	7106388	LABEL KIT KHG714140410	1
30	7106345	GASKET D125 EPDM	1
20	7106344	GASKET D80	1
10	7106341	CENTERING SPRING 80/125	1
ITEM NO	PART NUMBER	DESCRIPTION	QTY

REVISION	MODIFICATION	ENGINEER	REFERS TO	DATE
<b>BAXI S.p.A.</b>		RELEASE STATUS: <b>Production</b>	ITEM NUMBER: <b>7106346.01</b>	REVISION:
A MEMBER OF BAXI GROUP		ENGINEER: <b>CHIURATO P.</b>	DATE: <b>02-Feb-11</b>	SHEET No. <b>1 of 1</b>

© 2009	TITLE: <b>KIT FLUE SE 80/125 L1000</b>	MATERIAL SPECIFICATION:	QUALITY SIGNIFICANCE: [C]=CRITICAL [I]=IMPORTANT
UNITS: mm	SCALE: <b>1:1</b>	FIRST ANGLE PROJECTION	ITEM CATEGORY (1, 2 OR 3) <b>3</b>
TOLERANCE TO EN 22768 - mK UNLESS OTHERWISE SPECIFIED		CLASS m	<b>A2</b>

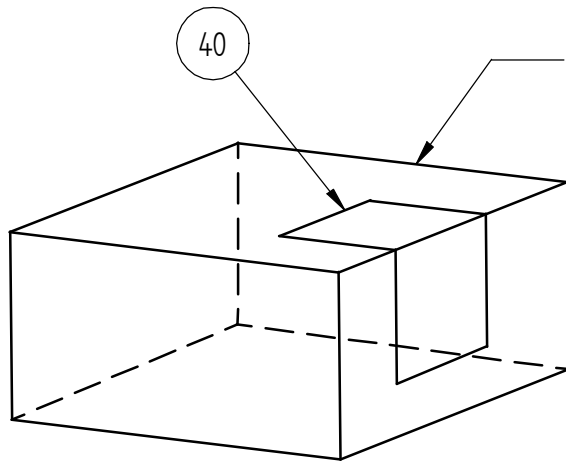
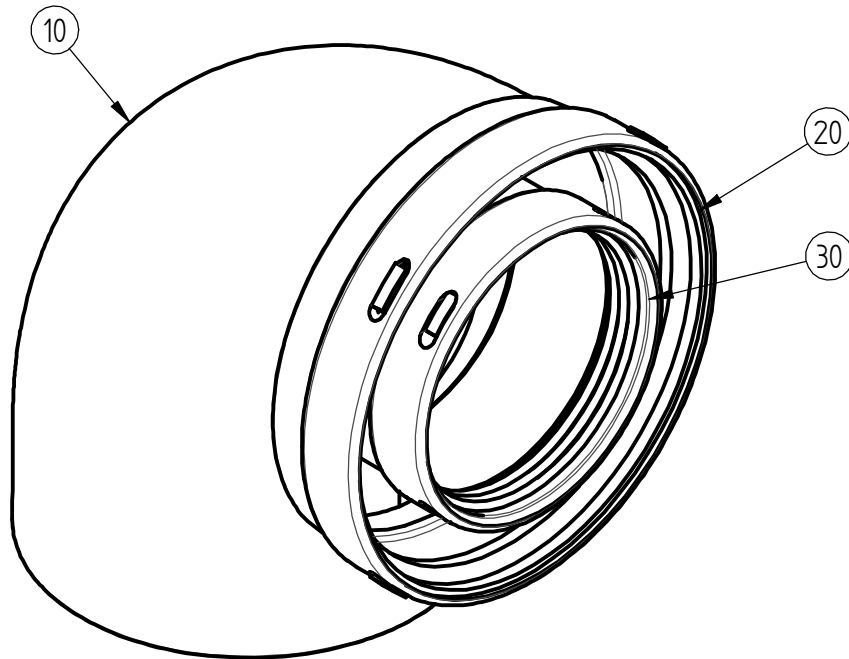
1

2

3

4

UNCONTROLLED WHEN PRINTED, CHECK REVISION AND STATUS BEFORE USE



SCATOLA CARTONE 230x230x150  
CARTON BOX 230x230x150

NOTA:

IL PRODOTTO DEVE ESSERE FORNITO IN UNA SCATOLA DI CARTONE IN CUI DEVONO ESSERE PRESENTI LE ETICHETTE IMBALLO, COME MOSTRATO NELLA FIGURA.

NOTE:

THE ITEM MUST BE SUPPLIED IN THE CARTON BOX, IN WHICH MUST BE GLUED ON THE PACK. LABELS, AS SHOWN IN THE DRAWING.

40	7106389	LABEL KIT KHG714140510	1
30	7106354	GASKET D80 ELBOW	1
20	7106355	GASKET D125 ELBOW	1
10	7106356	ELBOW 80/125 SE 90	1
ITEM NO	PART NUMBER	DESCRIPTION	QTY


REVISION	MODIFICATION	ENGINEER	REFERS TO	DATE
----------	--------------	----------	-----------	------

**BAXI S.p.A.**

A MEMBER OF BAXI GROUP

RELEASE STATUS.

**Production**

ENGINEER.

CHIURATO P.

ITEM NUMBER.

**7106353,01**

REVISION.

DATE.

01-Feb-11

SHEET No.

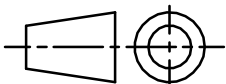
1 of 1

© 2009 TITLE: **KIT ELBOW 80/125 SE 90**

UNITS: SCALE. MATERIAL SPECIFICATION.

mm 1:2

FIRST ANGLE PROJECTION.



TOLERANCE TO EN 22768 - mK UNLESS OTHERWISE SPECIFIED

CLASS m	0.5-3	3-6	6-30	30-120	120-400	400-1m
LINEAR	±0.1	±0.1	±0.2	±0.3	±0.5	±0.8
RADI & CHAMFERS	±0.4	±1	±2	±2	±2	±2
CLASS m	upto 10	10-50	50-120	120-400	400+	
ANGULAR	±1°	±0°30'	±0°20'	±0°10'	±0°5'	

QUALITY SIGNIFICANCE.

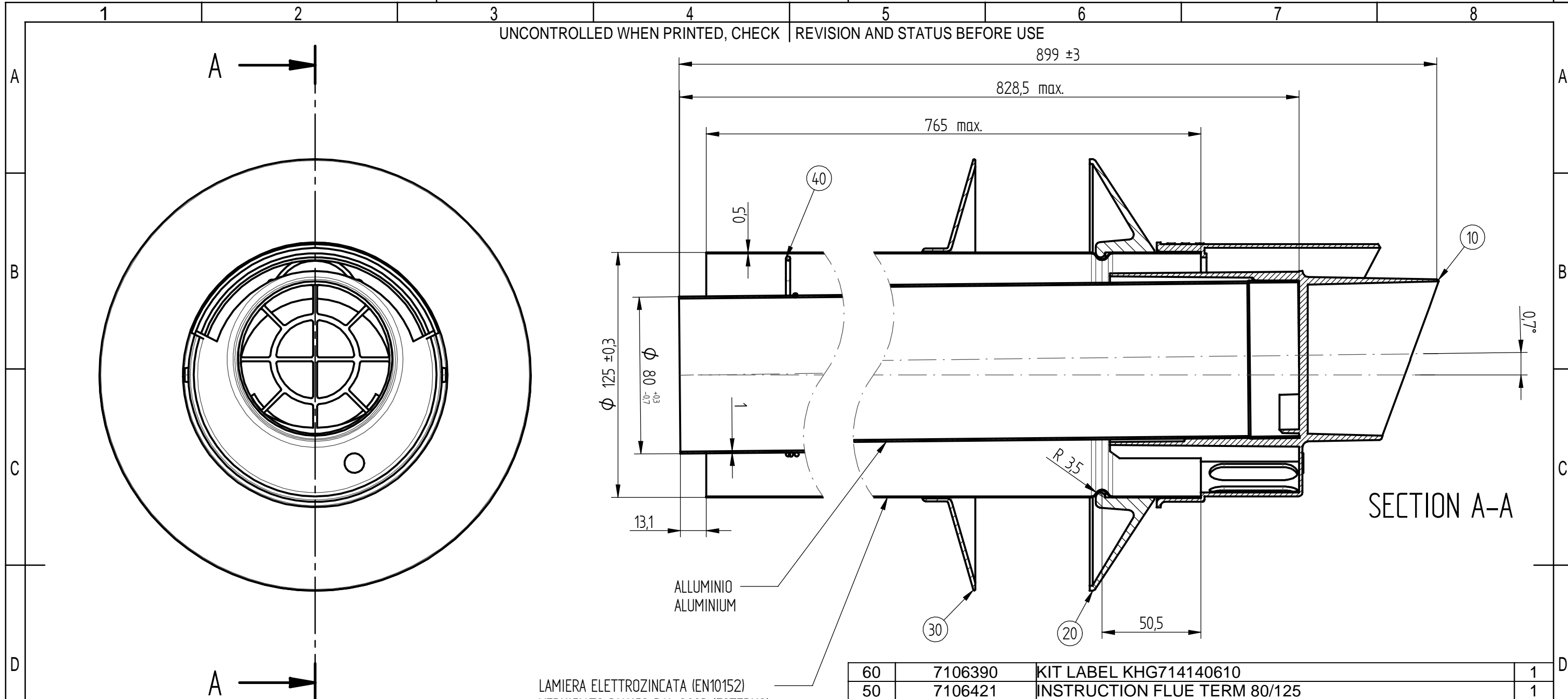
[C]=CRITICAL [I]=IMPORTANT

ITEM CATEGORY (1, 2 OR 3)

**3**

**A4**

UNCONTROLLED WHEN PRINTED, CHECK REVISION AND STATUS BEFORE USE

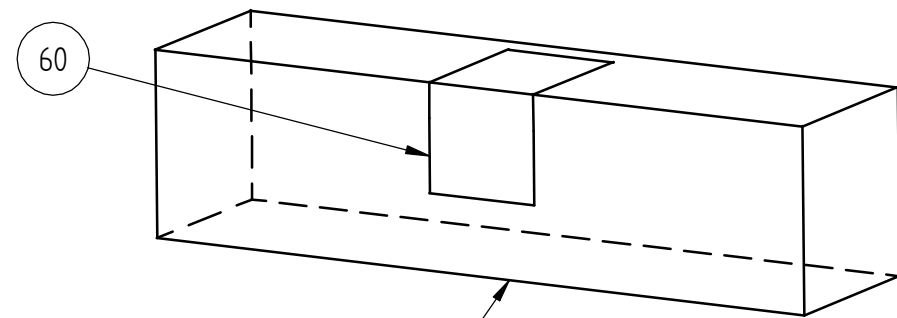


LAMIERA ELETTOZINCATA (EN10152)  
VERNICIATO BIANCO RAL 9003 (ESTERNO)

MATERIAL: ZINC COATED STEEL (EN10152)  
WHITE RAL 9003 PAINTED

ITEM NO	PART NUMBER	DESCRIPTION	QTY
60	7106390	KIT LABEL KHG714140610	1
50	7106421	INSTRUCTION FLUE TERM 80/125	1
40	7106341	CENTERING SPRING 80/125	1
30	7106370	INTERNAL PLATE D125	1
20	7106369	OUTSIDE PLATE D125	1
10	7106371	FLUE TERMINAL SE 80/125	1

BAXI PRODUCT CODE: KHG714140610



SCATOLA CARTONE 1130x145x155  
CARTON BOX 1130x145x155

NOTA: DISEGNO SCATOLA NON IN SCALA  
NOTE: THE DRAWING OF THE BOX IS ONLY INDICATIVE

REVISION	MODIFICATION	ENGINEER	REFERS TO	DATE
<b>BAXI S.p.A.</b>		RELEASE STATUS: <b>Production</b>	ITEM NUMBER: <b>7106372,01</b>	REVISION: <b>1</b>
A MEMBER OF BAXI GROUP		ENGINEER: <b>CHIURATO P.</b>	DATE: <b>02-Feb-11</b>	SHEET No. <b>1 of 1</b>

© 2009	TITLE: <b>KIT FLUE TERMINAL SE 80/125</b>																																	
UNITS: mm	SCALE: <b>1:2</b>																																	
MATERIAL SPECIFICATION.																																		
FIRST ANGLE PROJECTION.	TOLERANCE TO EN 22768 - mK UNLESS OTHERWISE SPECIFIED																																	
<table border="1"> <thead> <tr> <th>CLASS m</th> <th>0.5-3</th> <th>3-6</th> <th>6-30</th> <th>30-120</th> <th>120-400</th> <th>400-1m</th> </tr> </thead> <tbody> <tr> <td>LINEAR</td> <td>±0.1</td> <td>±0.1</td> <td>±0.2</td> <td>±0.3</td> <td>±0.5</td> <td>±0.8</td> </tr> <tr> <td>RADI &amp; CHAMFERS</td> <td>±0.4</td> <td>±1</td> <td colspan="4">±2</td> </tr> </tbody> </table>	CLASS m	0.5-3	3-6	6-30	30-120	120-400	400-1m	LINEAR	±0.1	±0.1	±0.2	±0.3	±0.5	±0.8	RADI & CHAMFERS	±0.4	±1	±2				<table border="1"> <thead> <tr> <th>CLASS m</th> <th>upto 10</th> <th>10-50</th> <th>50-120</th> <th>120-400</th> <th>400+</th> </tr> </thead> <tbody> <tr> <td>ANGULAR</td> <td>±1°</td> <td>±1°30'</td> <td>±1°20'</td> <td>±1°10'</td> <td>±1°5'</td> </tr> </tbody> </table>	CLASS m	upto 10	10-50	50-120	120-400	400+	ANGULAR	±1°	±1°30'	±1°20'	±1°10'	±1°5'
CLASS m	0.5-3	3-6	6-30	30-120	120-400	400-1m																												
LINEAR	±0.1	±0.1	±0.2	±0.3	±0.5	±0.8																												
RADI & CHAMFERS	±0.4	±1	±2																															
CLASS m	upto 10	10-50	50-120	120-400	400+																													
ANGULAR	±1°	±1°30'	±1°20'	±1°10'	±1°5'																													
QUALITY SIGNIFICANCE. [C]=CRITICAL [I]=IMPORTANT																																		
ITEM CATEGORY (1, 2 OR 3)																																		
<b>3</b>	<b>A3</b>																																	