

TECHNICAL CATALOGUE RESIDENTIAL AIR CONDITIONING 2022

- WALL MOUNTED AC
- MULTI VARIABLE SERIES
- UNI SPLIT SERIES
- HIGH STATIC PRESSURE
DUCT UNIT
- PORTABLE DEVICES



SINCLAIR

AIR CONDITIONING

CONTENT

| | |
|--------------------------------|----|
| SPECTRUM+ SERIES | 2 |
| TERREL SERIES | 5 |
| KEYON SERIES | 10 |
| RAY SERIES | 13 |
| CONSOLE SERIES | 17 |
| MULTI VARIABLE SERIES | 20 |
| UNI SPLIT SERIES | 35 |
| HIGH STATIC PRESSURE DUCT UNIT | 52 |
| TOWER SERIES | 54 |
| WINDOW SERIES | 56 |
| MONOBLOCK SERIES | 57 |
| CAMPER TRAILER | 58 |
| BOAT SERIES | 59 |
| LOCAL AIR CONDITIONERS | 61 |
| DEHUMIDIFIERS | 62 |
| AIR PURIFIER | 63 |
| COMMUNICATION MODULE SCMI-01.4 | 64 |
| HEALTH FILTERS | 67 |
| WIRED CONTROLLERS | 68 |
| CENTRAL CONTROLLERS | 70 |
| OTHER ACCESSORY | 72 |
| SYSTEM ERROR DIAGNOSIS | 74 |
| SCMI-01.4 MODULE ERROR CODES | 75 |

WALL MOUNTED SPLIT AIR CONDITIONERS

SPECTRUM PLUS SERIES

| MODEL | | | ASH-09BIS2/W | ASH-13BIS2/W | ASH-18BIS2/W | ASH-24BIS2/W | |
|---|-----------------------|-----------------------------------|---|-------------------------------|--------------------------------|-------------------------------|--|
| Capacity cooling / heating 1) | Nominal (min-max) | kW | 2,7 (0,7-5,0) / 3,5 (0,7-5,5) | 3,5 (0,9-5,0) / 4,2 (0,9-7,2) | 5,3 (1,2-7,2) / 5,6 (1,2-9,2) | 7,0 (2,0-9,0) / 7,0 (2,0-9,5) | |
| Power supply | | Hz / V | 1~ / 50 / 220-240 | 1~ / 50 / 220-240 | 1~ / 50 / 220-240 | 1~ / 50 / 220-240 | |
| Power supply | | | outdoor | outdoor | outdoor | outdoor | |
| Power input cooling / heating 1) | | W | 550 / 745 | 840 / 950 | 1320 / 1320 | 1850 / 1750 | |
| Maximal power input 2) | | W | 2400 | 2600 | 3300 | 3700 | |
| Power current cooling / heating | | A | 3,6 / 4,7 | 5,1 / 5,7 | 5,9 / 5,9 | 11,0 / 11,0 | |
| Maximal power current 2) | | A | 10,7 | 12,0 | 13,0 | 16,4 | |
| Energy class cooling 3) | | | A+++ | A+++ | A++ | A++ | |
| Pdesign cooling | | kW | 2,7 | 3,5 | 5,3 | 7,0 | |
| SEER | | | 8,5 | 8,5 | 6,6 | 6,5 | |
| Annual power consumption | | kWh / annum | 111 | 144 | 247 | 377 | |
| Energy class heating 3) | Aver. / Warm. / Cool. | | A+++ / A+++ / A | A+++ / A+++ / A+ | A+ / A+++ / A | A+ / A+++ / A | |
| Pdesign heating | Average climate | kW | 3,5 | 3,5 | 5,9 | 7,0 | |
| SCOP | Average climate | | 5,1 | 5,1 | 4,4 | 4,1 | |
| Annual power consumption | Average climate | kWh / annum | 961 | 961 | 1877 | 2390 | |
| Air flow of ID | SH/MH/H/ML/ML/SL | m³ / h | 800/720/570/620/560/500/450 | 800/730/680/630/580/530/430 | 1200/1150/1050/950/850/780/600 | 1200/1050/950/900/850/800/750 | |
| Airflow of OD | H | m³ / h | 2400 | 2400 | 4000 | 4000 | |
| Sound pressure level of ID at 1m 4) | SH/MH/H/ML/ML/SL | dB(A) | 43/41/38/36/33/31/18 | 46/43/41/38/36/34/21 | 48/45/43/40/37/35/33 | 50/46/43/41/39/37/35/27 | |
| Sound pressure level of OD at 1m 4) | H | dB(A) | 53 | 54 | 56 | 58 | |
| Sound power of ID 4) | SH/MH/H/ML/ML/SL | dB(A) | 58/51/48/46/43/41/28 | 58/55/53/50/48/46/33 | 60/57/55/52/49/47/45 | 64/60/57/55/53/51/49/41 | |
| Sound power of OD 4) | H | dB(A) | 62 | 62 | 63 | 66 | |
| Dehumidifying volume | | l / h | 0,8 | 1,4 | 1,8 | 2,0 | |
| Refrigerant type / charge | | Type / kg / t eq. CO ₂ | R32 / 1,00 / 0,67 | R32 / 1,00 / 0,67 | R32 / 1,50 / 1,01 | R32 / 2,00 / 1,35 | |
| Additional refrigerant | | g / m | 20 | 20 | 40 | 50 | |
| Pipe diameter - liquid side 5) | | inch / mm | ¼ / 6,0 | ¼ / 6,0 | ¼ / 6,0 | ¼ / 6,0 | |
| Pipe diameter - gas side 5) | | inch / mm | ¾ / 9,5 | ¾ / 9,5 | ¾ / 16,0 | ¾ / 16,0 | |
| Max pipe length without additional refrigerant 6) | | m | 5 | 5 | 5 | 7,5 | |
| Allowed pipe length 7) | min. / max. | m | 3 / 15 | 3 / 40 | 3 / 40 | 3 / 50 | |
| Max. elevation / Drop height | | m | 10 | 20 | 20 | 30 | |
| Dimension of ID | w × h × d | mm | 996 × 301 × 225 | 996 × 301 × 225 | 1101 × 327 × 249 | 1101 × 327 × 249 | |
| Dimensions of outdoor unit | w × h × d | mm | 899 × 596 × 378 | 899 × 596 × 378 | 1003 × 790 × 427 | 1003 × 790 × 427 | |
| Package dimension of ID | w × h × d | mm | 1060 × 380 × 322 | 1060 × 380 × 322 | 1167 × 405 × 354 | 1167 × 405 × 354 | |
| Package dimensions of outdoor unit | w × h × d | mm | 948 × 645 × 420 | 948 × 645 × 420 | 1083 × 855 × 488 | 1083 × 855 × 488 | |
| Weight of ID | netto / brutto | kg | 13,0 / 16,0 | 13,5 / 16,5 | 16,5 / 20,0 | 16,5 / 20,0 | |
| Weight of OD | netto / brutto | kg | 44,5 / 47,5 | 45,5 / 48,5 | 62,5 / 67,5 | 65,0 / 70,0 | |
| Set temperature range | | °C | 16-30 | 16-30 | 16-30 | 16-30 | |
| Operating temperature range cooling 8) | | °C | -18-54 | -18-54 | -18-52 | -18-52 | |
| Operating temperature range heating 8) | | °C | -30-24 | -30-24 | -30-24 | -30-24 | |
| ADDITIONAL TECHNICAL INFORMATION | | | | | | | |
| Screw holes distance of OD | w × d | mm | 550 × 354 | 550 × 354 | 610 × 395 | 610 × 395 | |
| Communication cable | | mm ² | 4 × 0,75 (5m included) | | | | |
| Recommended power cable | | mm ² | 3 × 1,5 | 3 × 1,5 | 3 × 2,5 | 3 × 4,0 | |
| Recommended air switch | | A | 13 | 13 | 16 | 20 | |
| EQUIPMENT | | | | | | | |
| Plasma generator | indoor | | ✓ | ✓ | ✓ | ✓ | |
| WiFi module | | | ✓ | ✓ | ✓ | ✓ | |
| Drain pump | | | - | - | - | - | |
| Max. lift (from bottom of ID unit) | | mm | - | - | - | - | |
| Door contact (SMR-03V connector) | | | ✓ | ✓ | ✓ | ✓ | |
| Alarm contact | | | - | - | - | - | |
| Left-right guide louvres | | | ✓ | ✓ | ✓ | ✓ | |
| Throttling method | outdoor | | EXV | EXV | EXV | EXV | |
| Bottom chassis heater | | | Heating belt | Heating belt | Heating belt | Heating belt | |
| Crankcase heater | | | Preheating | Preheating | Preheating | Preheating | |
| Bottom plugs for OD | | | ✓ | ✓ | ✓ | ✓ | |
| Drain pipe connector | | | ✓ | ✓ | ✓ | ✓ | |
| STANDARD ACCESSORIES | | | | | | | |
| Standard health filter | | | SAF-OPWC4, SAF-OPWS4 | | | | |
| Remote controller (IR) | | | YAG1FB2 | YAG1FB2 | YAG1FB2 | YAG1FB2 | |
| Wired controller | | | - | - | - | - | |
| OPTIONAL ACCESSORIES | | | | | | | |
| Optional health filters | | | SAF-OPWA4, SAF-OPWB4, SAF-OPWK4, SAF-OPWM4, SAF-OPWP4 | | | | |
| Wired controller | | | SWC-02, SWC-04 | | | | |
| Central controller | | | SCC-36 | | | | |
| Other | | | G2S-T, SAI-01, SBG-01 | | | | |

The specification of products is subject to change based on further development of the units by the producer and can be changed without prior notice. Refer to rating label.

R32 (single component refrigerant HFC), GWP of refrigerant used: 675.

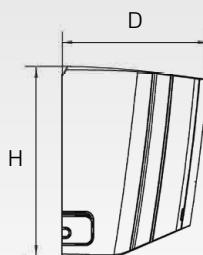
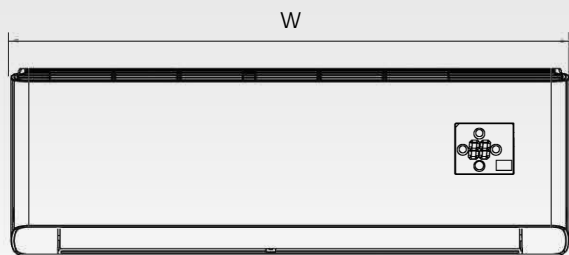
Contains fluorinated greenhouse gases covered by the Kyoto Protocol.

Explanatory notes on the very last page of the catalogue.

The device is being sold as a set (indoor + outdoor unit).

APPEARANCE AND DIMENSIONS OF INDOOR UNIT

SPECTRUM PLUS SERIES

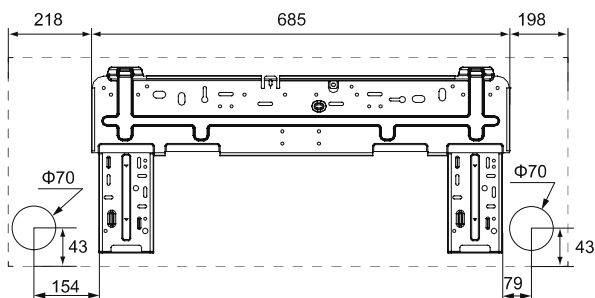
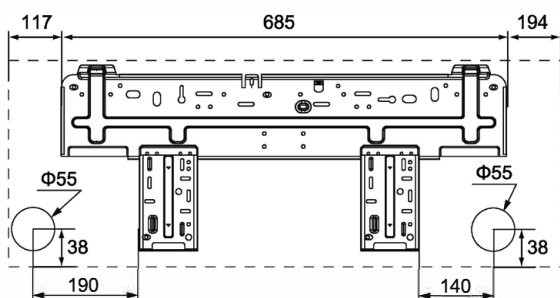


ASH-09BIS2/W

ASH-13BIS2/W

ASH-18BIS2/W

ASH-24BIS2/W



| | W | H | D |
|--------------|------|-----|-----|
| ASH-09BIS2/W | 996 | 301 | 225 |
| ASH-13BIS2/W | 996 | 301 | 225 |
| ASH-18BIS2/W | 1101 | 327 | 249 |
| ASH-24BIS2/W | 1101 | 327 | 249 |

units: mm

APPEARANCE AND DIMENSIONS OF OUTDOOR UNIT

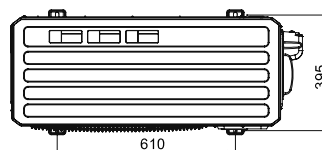
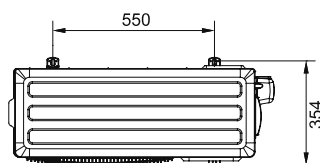
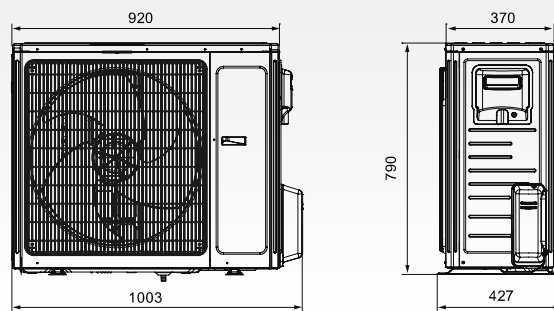
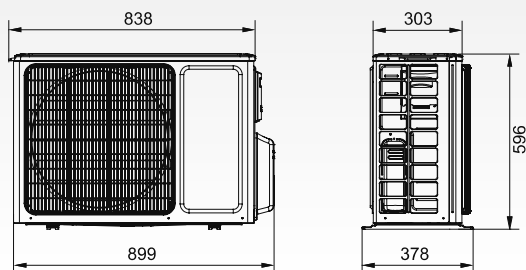
SPECTRUM PLUS SERIES

ASH-09BIS2/W

ASH-13BIS2/W

ASH-18BIS2/W

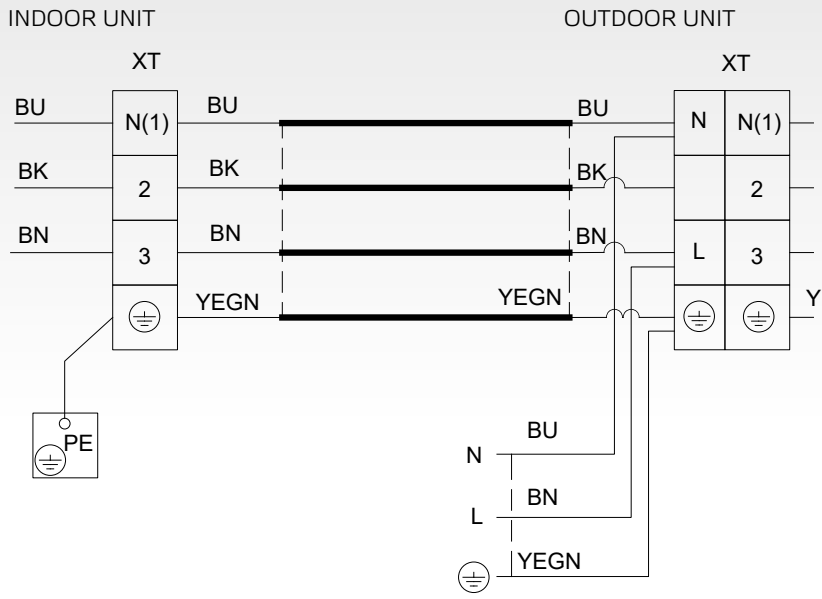
ASH-24BIS2/W



units: mm

ELECTRICAL WIRING DIAGRAM

SPECTRUM PLUS SERIES



WALL MOUNTED SPLIT AIR CONDITIONERS

TERREL SERIES

| MODEL | | | SIH+SOH-09BIT | SIH+SOH-13BIT | SIH+SOH-18BIT | SIH+SOH-24BIT | |
|---|-----------------------|-----------------------------------|---|-------------------------------|-------------------------------|--------------------------------|--|
| Capacity cooling / heating 1) | Nominal (min-max) | kW | 2,7 (0,8-3,8) / 3,0 (0,9-4,2) | 3,5 (1,0-3,8) / 3,8 (0,9-4,7) | 5,2 (1,0-6,1) / 5,3 (1,1-6,0) | 7,0 (2,0-9,0) / 7,4 (1,8-9,0) | |
| Power supply | | Hz / V | 1~ / 50 / 220-240 | 1~ / 50 / 220-240 | 1~ / 50 / 220-240 | 1~ / 50 / 220-240 | |
| Power supply | | | outdoor | outdoor | outdoor | outdoor | |
| Power input cooling / heating 1) | | W | 695 / 700 | 962 / 953 | 1528 / 1410 | 1900 / 1897 | |
| Maximal power input 2) | | W | 1400 | 1550 | 2600 | 3750 | |
| Power current cooling / heating | | A | 3,1 / 3,2 | 4,3 / 4,6 | 6,8 / 6,3 | 8,7 / 8,8 | |
| Maximal power current 2) | | A | 6,2 | 6,9 | 11,5 | 17,5 | |
| Energy class cooling 3) | | | A++ | A++ | A++ | A++ | |
| Pdesign cooling | | kW | 2,7 | 3,5 | 5,2 | 7,0 | |
| SEER | | | 7,5 | 7,1 | 7,0 | 6,5 | |
| Annual power consumption | | kWh / annum | 126 | 173 | 260 | 377 | |
| Energy class heating 3) | Aver. / Warm. / Cool. | | A+ / A+++ / A | A+ / A+++ / B | A+ / A+++ / A | A+ / A+++ / B | |
| Pdesign heating | Average climate | kW | 2,7 | 3,2 | 4,2 | 6,4 | |
| SCOP | Average climate | | 4,2 | 4,1 | 4,0 | 4,0 | |
| Annual power consumption | Average climate | kWh / annum | 900 | 1093 | 1470 | 2240 | |
| Air flow of ID | SH/MH/H/ML/ML/SL | m³ / h | 610/570/540/470/440/420/390 | 700/650/600/540/480/420/360 | 800/720/650/610/570/520/470 | 1250/1100/1000/950/900/850/750 | |
| Airflow of OD | H | m³ / h | 1950 | 1950 | 3200 | 3200 | |
| Sound pressure level of ID at 1m 4) | SH/MH/H/ML/ML/SL | dB(A) | 38/36/34/31/29/27/25 | 42/38/35/32/29/27/25 | 45/43/41/38/35/34/31 | 48/45/42/39/37/36/33 | |
| Sound pressure level of OD at 1m 4) | H | dB(A) | 50 | 52 | 57 | 57 | |
| Sound power of ID 4) | SH/MH/H/ML/ML/SL | dB(A) | 56/48/46/43/41/39/37 | 57/50/47/44/41/39/37 | 59/57/55/52/49/48/45 | 58/55/52/49/47/46/43 | |
| Sound power of OD 4) | H | dB(A) | 61 | 63 | 64 | 67 | |
| Dehumidifying volume | | l / h | 0,8 | 1,4 | 1,8 | 2,4 | |
| Refrigerant type / charge | | Type / kg / t eq. CO ₂ | R32 / 0,53 / 0,36 | R32 / 0,57 / 0,38 | R32 / 1,00 / 0,68 | R32 / 1,70 / 1,18 | |
| Additional refrigerant | | g / m | 16 | 16 | 16 | 50 | |
| Pipe diameter - liquid side 5) | | inch / mm | ¼ / 6,0 | ¼ / 6,0 | ¼ / 6,0 | ¼ / 6,0 | |
| Pipe diameter - gas side 5) | | inch / mm | ¾ / 9,5 | ¾ / 9,5 | ½ / 12,0 | ¾ / 16,0 | |
| Max pipe length without additional refrigerant 6) | | m | 5 | 5 | 5 | 5 | |
| Allowed pipe length 7) | min. / max. | m | 3 / 15 | 3 / 15 | 3 / 25 | 3 / 25 | |
| Max. elevation / Drop height | | m | 10 | 10 | 10 | 10 | |
| Dimension of ID | w × h × d | mm | 889 × 294 × 212 | 889 × 294 × 212 | 1013 × 307 × 221 | 1122 × 329 × 247 | |
| Dimensions of outdoor unit | w × h × d | mm | 732 × 555 × 330 | 732 × 555 × 330 | 965 × 700 × 396 | 965 × 700 × 396 | |
| Package dimension of ID | w × h × d | mm | 940 × 365 × 284 | 940 × 365 × 284 | 1080 × 378 × 315 | 1177 × 406 × 332 | |
| Package dimensions of outdoor unit | w × h × d | mm | 794 × 615 × 376 | 794 × 615 × 376 | 1029 × 750 × 458 | 1029 × 750 × 458 | |
| Weight of ID | netto / brutto | kg | 11,0 / 13,0 | 11,0 / 13,0 | 13,5 / 16,5 | 17,5 / 21,0 | |
| Weight of OD | netto / brutto | kg | 23,5 / 26,0 | 24,5 / 27,0 | 45,0 / 49,5 | 53,5 / 58,0 | |
| Set temperature range | | °C | 16~30 | 16~30 | 16~30 | 16~30 | |
| Operating temperature range cooling 8) | | °C | -15~50 | -15~50 | -15~43 | -15~43 | |
| Operating temperature range heating 8) | | °C | -25~30 | -25~30 | -22~24 | -22~24 | |
| ADDITIONAL TECHNICAL INFORMATION | | | | | | | |
| Screw holes distance of OD | w × d | mm | 455 × 310 | 455 × 310 | 560 × 364 | 560 × 364 | |
| Communication cable | | mm ² | 4 × 0,75 (5m included) | | | | |
| Recommended power cable | | mm ² | 3 × 1,5 | 3 × 1,5 | 3 × 1,5 | 3 × 4,0 | |
| Recommended air switch | | A | 13 | 13 | 13 | 20 | |
| EQUIPMENT | | | | | | | |
| Plasma generator | indoor | | ✓ | ✓ | ✓ | ✓ | |
| WiFi module | | | ✓ | ✓ | ✓ | ✓ | |
| Drain pump | | | - | - | - | - | |
| Max. lift (from bottom of ID unit) | | mm | - | - | - | - | |
| Door contact (SMR-03V connector) | | | ✓ | ✓ | ✓ | ✓ | |
| Alarm contact | | | - | - | - | - | |
| Left-right guide louvres | | | ✓ | ✓ | - | - | |
| Throttling method | outdoor | | Capillary | EXV | EXV | EXV | |
| Bottom chassis heater | | | Heating belt | Heating belt | Heating belt | Heating belt | |
| Crankcase heater | | | Preheating | Preheating | Preheating | Preheating | |
| Bottom plugs for OD | | | - | - | ✓ | ✓ | |
| Drain pipe connector | | | ✓ | ✓ | ✓ | ✓ | |
| STANDARD ACCESSORIES | | | | | | | |
| Standard health filter | | | SAF-OPWC4, SAF-OPWB4 | | | | |
| Remote controller (IR) | | | YAC1FB9 (WiFi) | | | | |
| Wired controller | | | - | - | - | - | |
| OPTIONAL ACCESSORIES | | | | | | | |
| Optional health filters | | | SAF-OPWA4, SAF-OPWK4, SAF-OPWM4, SAF-OPWP4, SAF-OPWS4 | | | | |
| Wired controller | | | SWC-02, SWC-04 | | | | |
| Central controller | | | SCC-36 | | | | |
| Other | | | G2S-T, SAI-01, SBG-01 | | | | |

The specification of products is subject to change based on further development of the units by the producer and can be changed without prior notice. Refer to rating label.

R32 (single component refrigerant HFC), GWP of refrigerant used: 675.

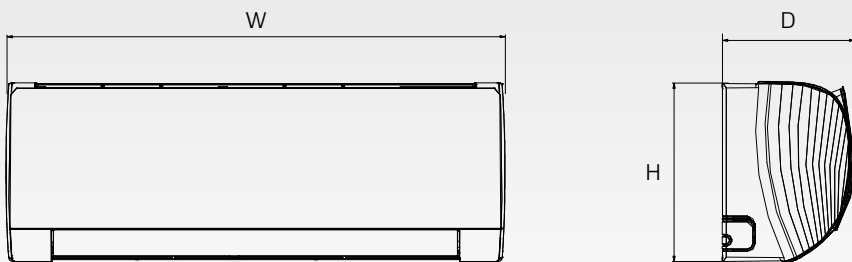
Contains fluorinated greenhouse gases covered by the Kyoto Protocol.

Explanatory notes on the very last page of the catalogue.

The device is being sold as a set (indoor + outdoor unit).

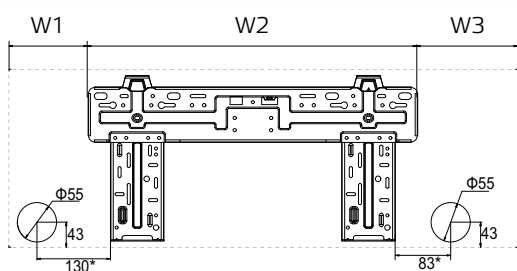
APPEARANCE AND DIMENSIONS OF INDOOR UNIT

TERREL SERIES



SIH-09BITx

SIH-13BITx



| Model | W | H | D | W1 | W2 | W3 |
|---------------|-----|-----|-----|-----|-----|-----|
| SIH-09/13BITx | 889 | 294 | 212 | 146 | 542 | 201 |

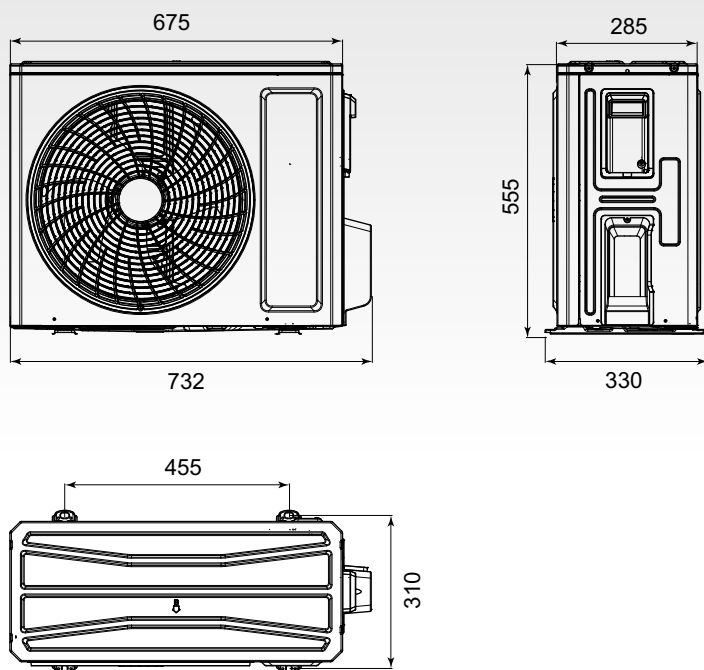
units: mm

APPEARANCE AND DIMENSIONS OF OUTDOOR UNIT

TERREL SERIES

SOH-09BIT

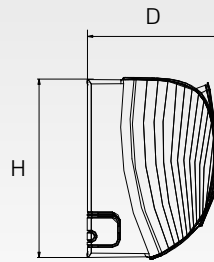
SOH-13BIT



units: mm

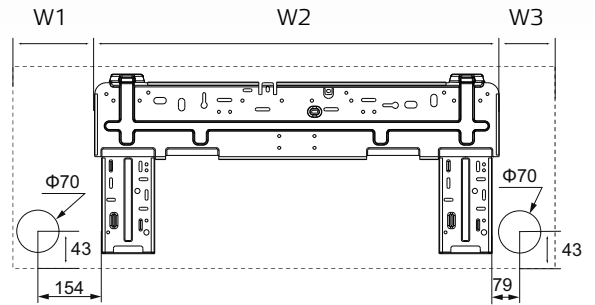
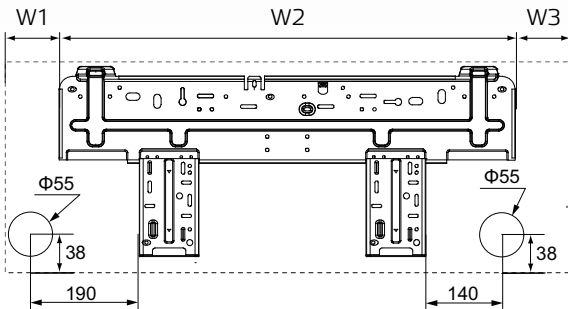
APPEARANCE AND DIMENSIONS OF INDOOR UNIT

TERREL SERIES



SIH-18BITx

SIH-24BITx



| Models | W | H | D | W1 | W2 | W3 |
|------------|------|-----|-----|-------|-----|-------|
| SIH-18BITx | 1013 | 307 | 221 | 125.5 | 685 | 202.5 |
| SIH-24BITx | 1122 | 329 | 247 | 207 | 685 | 230 |

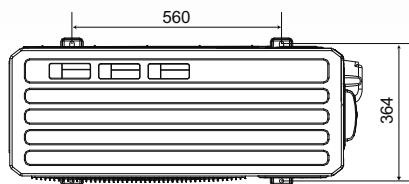
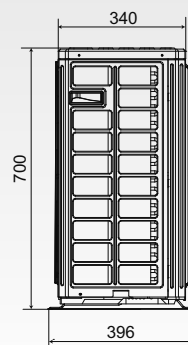
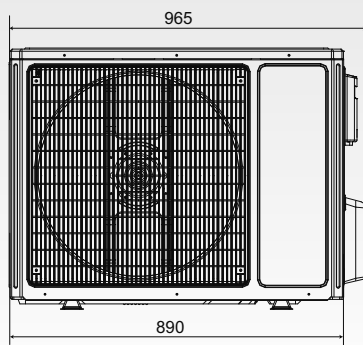
units: mm

APPEARANCE AND DIMENSIONS OF OUTDOOR UNIT

TERREL SERIES

SOH-18BIT

SOH-24BIT



units: mm

WALL MOUNTED SPLIT AIR CONDITIONERS

TERREL2 SERIES

| MODEL | | | SIH+SOH-18BIT2 | SIH+SOH-24BIT2 | | | |
|---|-----------------------|-----------------------------------|---|------------------------------------|---|--|--|
| Capacity cooling / heating 1) | Nominal (min-max) | kW | 5,3 (1,3-6,6) / 5,6 (1,4-7,5) | 7,1 (2,0-8,9) / 7,8 (1,8-9,5) | | | |
| Power supply | | Hz / V | 1~ / 50 / 220-240 | 1~ / 50 / 220-240 | | | |
| Power supply | | | outdoor | outdoor | | | |
| Power input cooling / heating 1) | | W | 1413 / 1333 | 2030 / 2000 | | | |
| Maximal power input 2) | | W | 2500 | 3000 | | | |
| Power current cooling / heating | | A | 6,5 / 6,2 | 9,0 / 9,3 | | | |
| Maximal power current 2) | | A | 12,5 | 13,5 | | | |
| Energy class cooling 3) | | | A++ | A++ | | | |
| Pdesign cooling | | kW | 5,3 | 7,1 | | | |
| SEER | | | 7,6 | 7,0 | | | |
| Annual power consumption | | kWh / annum | 244 | 355 | | | |
| Energy class heating 3) | Aver. / Warm. / Cool. | | A+ / A+++ / A | A+ / A+++ / A | | | |
| Pdesign heating | Average climate | kW | 4,3 | 5,6 | | | |
| SCOP | Average climate | | 4,3 | 4,2 | | | |
| Annual power consumption | Average climate | kWh / annum | 1400 | 1867 | | | |
| Air flow of ID | SH/MH/H/ML/ML/SL | m³ / h | 850/750/680/610/570/520/460 | 1250/1100/1000/950/900/850/800/600 | | | |
| Airflow of OD | H | m³ / h | 3600 | 3600 | | | |
| Sound pressure level of ID at 1m 4) | SH/MH/H/ML/ML/SL | dB(A) | 47/41/39/37/35/32/31/21 | 50/47/43/41/40/36/35/27 | | | |
| Sound pressure level of OD at 1m 4) | H | dB(A) | 57 | 59 | | | |
| Sound power of ID 4) | SH/MH/H/ML/ML/SL | dB(A) | 60/57/55/54/52/50/46/34 | 64/59/56/55/53/51/48/42 | | | |
| Sound power of OD 4) | H | dB(A) | 64 | 70 | | | |
| Dehumidifying volume | | l / h | 1,9 | 2,4 | | | |
| Refrigerant type / charge | | Type / kg / t eq. CO ₂ | R32 / 1,00 / 0,68 | R32 / 1,50 / 1,01 | | | |
| Additional refrigerant | | g / m | 16 | 40 | | | |
| Pipe diameter - liquid side 5) | | inch / mm | ¼ / 6,0 | ¼ / 6,0 | | | |
| Pipe diameter - gas side 5) | | inch / mm | ½ / 12,0 | ¾ / 16,0 | | | |
| Max pipe length without additional refrigerant 6) | | m | 5 | 5 | | | |
| Allowed pipe length 7) | min. / max. | m | 3 / 25 | 3 / 25 | | | |
| Max. elevation / Drop height | | m | 10 | 10 | | | |
| Dimension of ID | w × h × d | mm | 1013 × 307 × 221 | 1122 × 329 × 247 | | | |
| Dimensions of outdoor unit | w × h × d | mm | 958 × 660 × 402 | 958 × 660 × 402 | | | |
| Package dimension of ID | w × h × d | mm | 1060 × 374 × 297 | 1177 × 406 × 332 | | | |
| Package dimensions of outdoor unit | w × h × d | mm | 1032 × 456 × 737 | 1032 × 456 × 737 | | | |
| Weight of ID | netto / brutto | kg | 13,5 / 15,5 | 16,5 / 19,5 | | | |
| Weight of OD | netto / brutto | kg | 40,5 / 45,0 | 41,5 / 46,0 | | | |
| Set temperature range | | °C | 16~30 | 16~30 | | | |
| Operating temperature range cooling 8) | | °C | -15~50 | -15~50 | | | |
| Operating temperature range heating 8) | | °C | -25~30 | -25~30 | | | |
| ADDITIONAL TECHNICAL INFORMATION | | | | | | | |
| Screw holes distance of OD | w × d | mm | 570 × 371 | 570 × 371 | | | |
| Communication cable | | mm ² | 4 × 0,75 (5m included) | | | | |
| Recommended power cable | | mm ² | 3 × 1,5 | 3 × 4,0 | | | |
| Recommended air switch | | A | 13 | 20 | | | |
| EQUIPMENT | | | | | | | |
| Plasma generator | indoor | | ✓ | ✓ | | | |
| WiFi module | | | ✓ | ✓ | | | |
| Drain pump | | | - | - | | | |
| Max. lift (from bottom of ID unit) | | mm | | - | - | | |
| Door contact (SMR-03V connector) | | | | ✓ | ✓ | | |
| Alarm contact | | | | - | - | | |
| Left-right guide louvres | outdoor | | ✓ | ✓ | | | |
| Throttling method | | | EXV | EXV | | | |
| Bottom chassis heater | | | Heating belt | Heating belt | | | |
| Crankcase heater | | | Preheating | Preheating | | | |
| Bottom plugs for OD | | | | - | - | | |
| Drain pipe connector | | | | ✓ | ✓ | | |
| STANDARD ACCESSORIES | | | | | | | |
| Standard health filter | | | SAF-OPWC4, SAF-OPWB4 | | | | |
| Remote controller (IR) | | | YAC1FB9 (Wifi) | | | | |
| Wired controller | | | - | - | | | |
| OPTIONAL ACCESSORIES | | | | | | | |
| Optional health filters | | | SAF-OPWA4, SAF-OPWK4, SAF-OPWM4, SAF-OPWP4, SAF-OPWS4 | | | | |
| Wired controller | | | SWC-02, SWC-04 | | | | |
| Central controller | | | SCC-36 | | | | |
| Other | | | G2S-T, SAI-01, SBG-01 | | | | |

The specification of products is subject to change based on further development of the units by the producer and can be changed without prior notice. Refer to rating label.

R32 (single component refrigerant HFC), GWP of refrigerant used: 675.

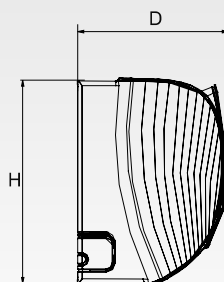
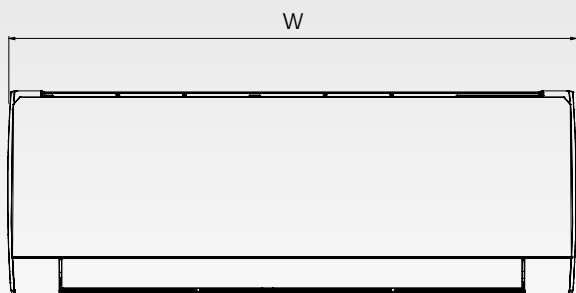
Contains fluorinated greenhouse gases covered by the Kyoto Protocol.

Explanatory notes on the very last page of the catalogue.

The device is being sold as a set (indoor + outdoor unit).

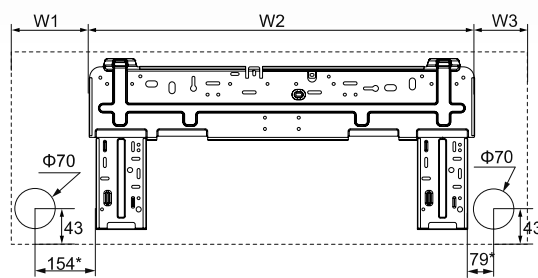
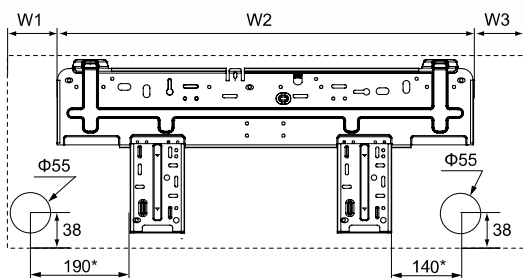
APPEARANCE AND DIMENSIONS OF INDOOR UNIT

TERREL2 SERIES



SIH18BIT2

SIH24BIT2



| Model | W | H | D | W1 | W2 | W3 |
|-------------|------|-----|-----|-------|-----|-------|
| SIH-18BIT2x | 1013 | 307 | 221 | 125.5 | 685 | 202.5 |
| SIH-24BIT2x | 1122 | 329 | 247 | 207 | 685 | 230 |

units: mm

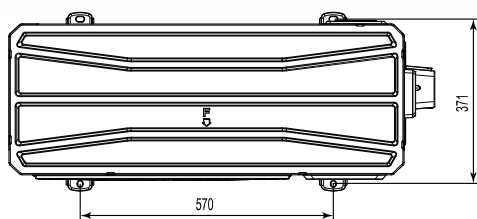
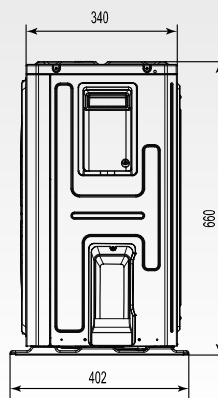
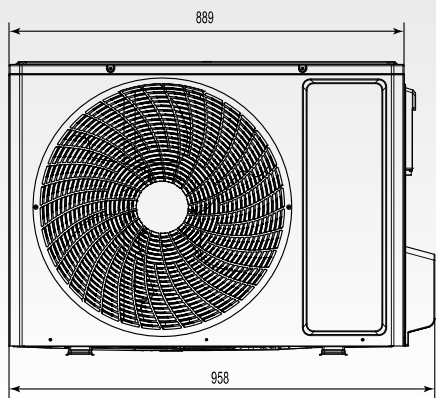
* Recommended distance

APPEARANCE AND DIMENSIONS OF OUTDOOR UNIT

TERREL2 SERIES

SOH-18BIT2

SOH-24BIT2



units: mm

WALL MOUNTED SPLIT AIR CONDITIONERS

KEYON SERIES

| MODEL | | | SIH+SOH-09BIK | SIH+SOH-12BIK | SIH+SOH-18BIK | SIH+SOH-24BIK | | |
|---|-----------------------|-----------------------------------|---|-------------------------------|-------------------------------|-------------------------------|--|--|
| Capacity cooling / heating 1) | Nominal (min-max) | kW | 2,7 (0,6-3,4) / 2,8 (0,6-3,7) | 3,2 (0,9-3,7) / 3,4 (0,9-4,1) | 4,6 (1,0-5,3) / 5,2 (1,0-5,7) | 6,2 (1,8-6,4) / 6,5 (1,6-6,6) | | |
| Power supply | | Hz / V | 1~ / 50 / 220-240 | 1~ / 50 / 220-240 | 1~ / 50 / 220-240 | 1~ / 50 / 220-240 | | |
| Power supply | | | outdoor | outdoor | outdoor | outdoor | | |
| Power input cooling / heating 1) | | W | 735 / 695 | 991 / 916 | 1355 / 1340 | 1771 / 1646 | | |
| Maximal power input 2) | | W | 1500 | 1500 | 1900 | 2200 | | |
| Power current cooling / heating | | A | 3,5 / 3,3 | 4,4 / 4,0 | 5,9 / 5,8 | 7,9 / 7,3 | | |
| Maximal power current 2) | | A | 7,5 | 7,5 | 9,0 | 10,0 | | |
| Energy class cooling 3) | | | A++ | A++ | A++ | A++ | | |
| Pdesign cooling | | kW | 2,7 | 3,2 | 4,6 | 6,2 | | |
| SEER | | | 6,6 | 6,5 | 6,4 | 6,8 | | |
| Annual power consumption | | kWh / annum | 143 | 172 | 251 | 319 | | |
| Energy class heating 3) | Aver. / Warm. / Cool. | | A+ / A+++ / - | A+ / A+++ / - | A+ / A+++ / - | A+ / A+++ / - | | |
| Pdesign heating | Average climate | kW | 2,5 | 2,7 | 3,7 | 4,7 | | |
| SCOP | Average climate | | 4,2 | 4,1 | 4,0 | 4,0 | | |
| Annual power consumption | Average climate | kWh / annum | 833 | 922 | 1295 | 1645 | | |
| Air flow of ID | SH/MH/H/ML/ML/SL | m³ / h | 550/500/430/290 | 680/560/450/390 | 850/750/650/550 | 1100/950/750/650 | | |
| Airflow of OD | H | m³ / h | 1950 | 1950 | 1950 | 2800 | | |
| Sound pressure level of ID at 1m 4) | SH/MH/H/ML/ML/SL | dB(A) | 40/38/34/23 | 41/36/32/23 | 48/41/37/31 | 48/44/40/35 | | |
| Sound pressure level of OD at 1m 4) | H | dB(A) | 51 | 52 | 53 | 58 | | |
| Sound power of ID 4) | SH/MH/H/ML/ML/SL | dB(A) | 55/48/44/36 | 57/46/42/37 | 58/51/47/34 | 61/58/53/49 | | |
| Sound power of OD 4) | H | dB(A) | 62 | 64 | 63 | 67 | | |
| Dehumidifying volume | | l / h | 1,4 | 1,4 | 1,8 | 1,8 | | |
| Refrigerant type / charge | | Type / kg / t eq. CO ₂ | R32 / 0,53 / 0,36 | R32 / 0,57 / 0,38 | R32 / 0,75 / 0,51 | R32 / 1,30 / 0,88 | | |
| Additional refrigerant | | g / m | 16 | 16 | 16 | 16 | | |
| Pipe diameter - liquid side 5) | | inch / mm | ¼ / 6,0 | ¼ / 6,0 | ¼ / 6,0 | ¼ / 6,0 | | |
| Pipe diameter - gas side 5) | | inch / mm | ¾ / 9,5 | ¾ / 9,5 | ¾ / 9,5 | ½ / 12,0 | | |
| Max pipe length without additional refrigerant 6) | | m | 5 | 5 | 5 | 5 | | |
| Allowed pipe length 7) | min. / max. | m | 3 / 15 | 3 / 15 | 3 / 25 | 3 / 25 | | |
| Max. elevation / Drop height | | m | 10 | 10 | 10 | 10 | | |
| Dimension of ID | w × h × d | mm | 770 × 251 × 190 | 849 × 289 × 215 | 972 × 300 × 225 | 1081 × 325 × 248 | | |
| Dimensions of outdoor unit | w × h × d | mm | 732 × 550 × 330 | 732 × 550 × 330 | 732 × 550 × 330 | 873 × 555 × 376 | | |
| Package dimension of ID | w × h × d | mm | 822 × 324 × 262 | 902 × 357 × 279 | 1022 × 374 × 299 | 1137 × 407 × 334 | | |
| Package dimensions of outdoor unit | w × h × d | mm | 792 × 615 × 393 | 792 × 615 × 393 | 792 × 615 × 393 | 951 × 620 × 431 | | |
| Weight of ID | netto / brutto | kg | 8,5 / 10,0 | 10,5 / 12,5 | 13,5 / 16,0 | 16,5 / 19,5 | | |
| Weight of OD | netto / brutto | kg | 25,0 / 27,5 | 25,0 / 27,5 | 26,5 / 29,0 | 36,5 / 39,5 | | |
| Set temperature range | | °C | 16~30 | 16~30 | 16~30 | 16~30 | | |
| Operating temperature range cooling 8) | | °C | -15~43 | -15~43 | -15~43 | -15~43 | | |
| Operating temperature range heating 8) | | °C | -15~24 | -15~24 | -15~24 | -15~24 | | |
| ADDITIONAL TECHNICAL INFORMATION | | | | | | | | |
| Screw holes distance of OD | w × d | mm | 455 × 310 | | | 528 × 349 | | |
| Communication cable | | mm ² | 4 × 0,75 (5m included) | | | | | |
| Recommended power cable | | mm ² | 3 × 1,5 | 3 × 1,5 | 3 × 1,5 | 3 × 1,5 | | |
| Recommended air switch | | A | 13 | 13 | 13 | 13 | | |
| EQUIPMENT | | | | | | | | |
| Plasma generator | indoor | | ✓ | ✓ | ✓ | ✓ | | |
| WiFi module | | | ✓ | ✓ | ✓ | ✓ | | |
| Drain pump | | | - | - | - | - | | |
| Max. lift (from bottom of ID unit) | | mm | - | - | - | - | | |
| Door contact (SMR-03V connector) | | | - | ✓ | ✓ | ✓ | | |
| Alarm contact | | | - | - | - | - | | |
| Left-right guide louvres | | | - | - | - | - | | |
| Throttling method | outdoor | | Capillary | Capillary | Capillary | Capillary | | |
| Bottom chassis heater | | | - | - | - | - | | |
| Crankcase heater | | | Preheating | Preheating | Preheating | Preheating | | |
| Bottom plugs for OD | | | - | - | - | - | | |
| Drain pipe connector | | | - | - | ✓ | ✓ | | |
| STANDARD ACCESSORIES | | | | | | | | |
| Standard health filter | | | SAF-OPWC4, SAF-OPWA4 | | | | | |
| Remote controller (IR) | | | YAA1FB6 (WiFi) | | | | | |
| Wired controller | | | - | - | - | - | | |
| OPTIONAL ACCESSORIES | | | | | | | | |
| Optional health filters | | | SAF-OPWB4, SAF-OPWK4, SAF-OPWM4, SAF-OPWP4, SAF-OPWS4 | | | | | |
| Wired controller | | | SWC-02, SWC-04 | | | | | |
| Central controller | | | SCC-36 | | | | | |
| Other | | | G2S-T, SAI-01 | G2S-T, SAI-01, SBG-01 | | | | |

The specification of products is subject to change based on further development of the units by the producer and can be changed without prior notice. Refer to rating label.

R32 (single component refrigerant HFC), GWP of refrigerant used: 675.

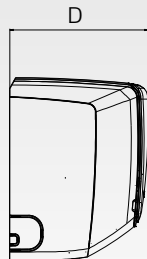
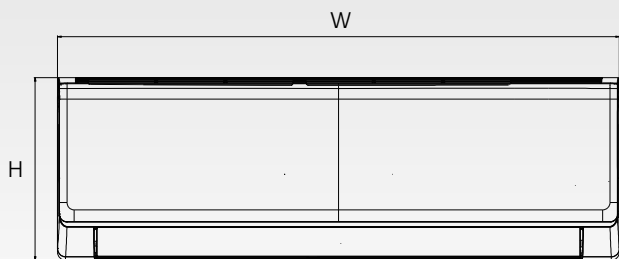
Contains fluorinated greenhouse gases covered by the Kyoto Protocol.

Explanatory notes on the very last page of the catalogue.

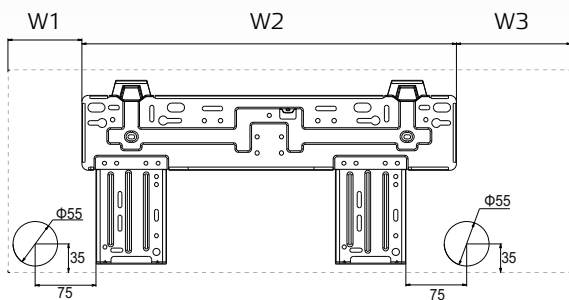
The device is being sold as a set (indoor + outdoor unit).

APPEARANCE AND DIMENSIONS OF INDOOR UNIT

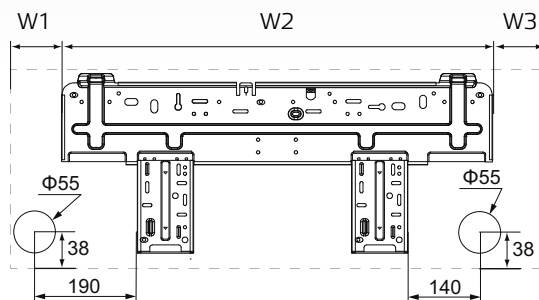
KEYON SERIES



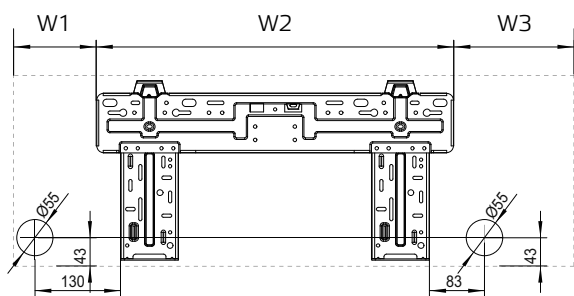
SIH-09BIK



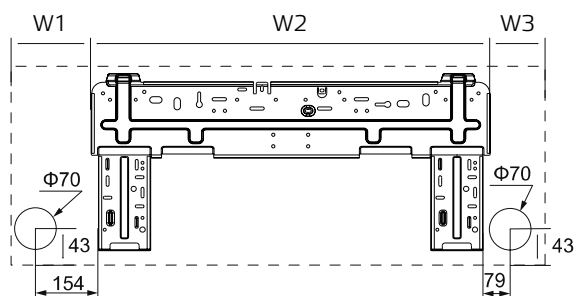
SIH-18BIK



SIH-12BIK



SIH-24BIK



| Model | W | H | D | W1 | W2 | W3 |
|-----------|------|-----|-----|-------|-----|-------|
| SIH-09BIK | 770 | 251 | 190 | 129.5 | 462 | 178.5 |
| SIH-12BIK | 849 | 289 | 215 | 125 | 542 | 182 |
| SIH-18BIK | 972 | 300 | 225 | 105 | 685 | 182 |
| SIH-24BIK | 1081 | 325 | 248 | 207 | 685 | 189 |

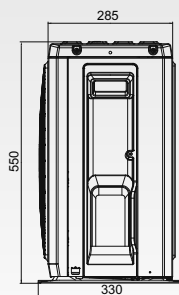
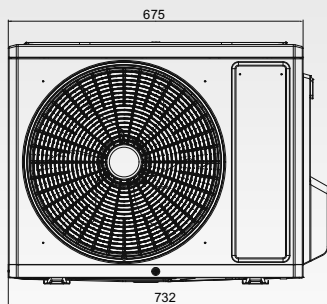
units: mm

APPEARANCE AND DIMENSIONS OF OUTDOOR UNIT

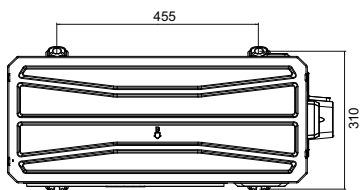
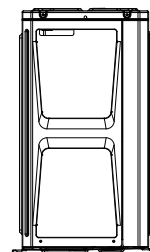
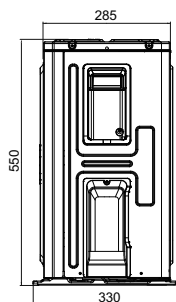
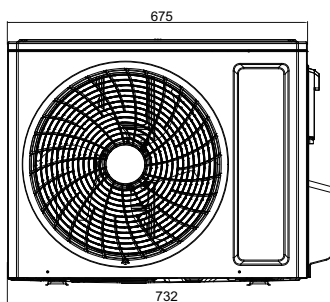
KEYON PLUS SERIES

SOH-09BIK

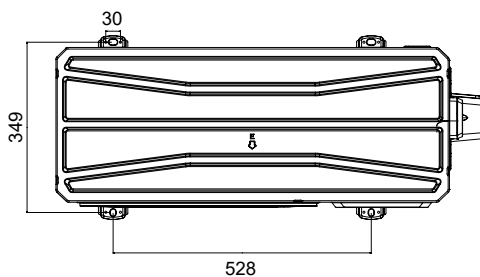
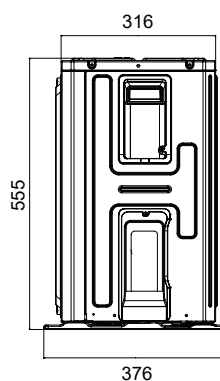
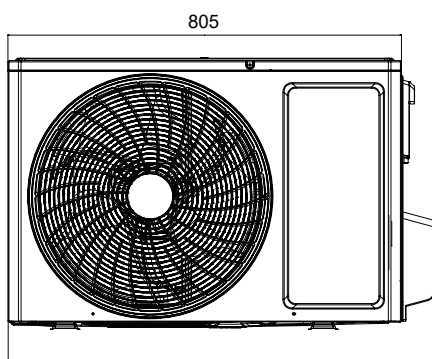
SOH-12BIK



SOH-18BIK



SOH-24BIK



WALL MOUNTED SPLIT AIR CONDITIONERS

RAY SERIES

| MODEL | | | SIH+SOH-09BIR | SIH+SOH-12BIR | SIH+SOH-18BIR | SIH+SOH-24BIR |
|---|-----------------------------------|-----------------|---|-------------------------------|-------------------------------|-------------------------------|
| Capacity cooling / heating 1) | Nominal (min-max) | kW | 2,7 (0,5-3,3) / 2,8 (0,5-3,5) | 3,2 (0,9-3,6) / 3,4 (0,9-4,0) | 4,6 (1,0-5,3) / 5,2 (1,0-5,6) | 6,2 (1,8-6,9) / 6,5 (1,3-7,0) |
| Power supply | | Hz / V | 1~ / 50 / 220-240 | 1~ / 50 / 220-240 | 1~ / 50 / 220-240 | 1~ / 50 / 220-240 |
| Power supply | | | outdoor | outdoor | outdoor | outdoor |
| Power input cooling / heating 1) | | W | 735 / 695 | 991 / 916 | 1355 / 1340 | 1827 / 1912 |
| Maximal power input 2) | | W | 1500 | 1500 | 1900 | 2300 |
| Power current cooling / heating | | A | 3,5 / 3,3 | 4,4 / 4,0 | 5,9 / 5,8 | 7,6 / 7,6 |
| Maximal power current 2) | | A | 7,5 | 7,5 | 9,0 | 10,2 |
| Energy class cooling 3) | | | A++ | A++ | A++ | A++ |
| Pdesign cooling | | kW | 2,7 | 3,2 | 4,6 | 6,2 |
| SEER | | | 6,6 | 6,1 | 6,4 | 6,8 |
| Annual power consumption | | kWh / annum | 143 | 184 | 264 | 350 |
| Energy class heating 3) | Aver. / Warm. / Cool. | | A+ / A+++ / - | A+ / A+++ / - | A+ / A+++ / - | A+ / A+++ / - |
| Pdesign heating | Average climate | kW | 2,5 | 2,7 | 3,7 | 4,7 |
| SCOP | Average climate | | 4,2 | 4,0 | 4,0 | 4,0 |
| Annual power consumption | Average climate | kWh / annum | 833 | 945 | 1260 | 1645 |
| Air flow of ID | SH/MH/H/ML/ML/SL | m³ / h | 550/500/430/290 | 590/520/400/320 | 850/800/700/600 | 900/800/600/400 |
| Airflow of OD | H | m³ / h | 1950 | 1950 | 1950 | 3200 |
| Sound pressure level of ID at 1m 4) | SH/MH/H/ML/ML/SL | dB(A) | 40/38/34/23 | 41/37/33/26 | 48/42/38/31 | 48/45/37/26 |
| Sound pressure level of OD at 1m 4) | H | dB(A) | 51 | 51 | 55 | 57 |
| Sound power of ID 4) | SH/MH/H/ML/ML/SL | dB(A) | 55/48/44/36 | 56/49/45/38 | 58/52/48/34 | 58/55/47/36 |
| Sound power of OD 4) | H | dB(A) | 62 | 64 | 63 | 65 |
| Dehumidifying volume | | l / h | 1,4 | 1,4 | 1,8 | 1,8 |
| Refrigerant type / charge | Type / kg / t eq. CO ₂ | | R32 / 0,53 / 0,34 | R32 / 0,55 / 0,37 | R32 / 0,75 / 0,51 | R32 / 1,23 / 0,83 |
| Additional refrigerant | | g / m | 16 | 16 | 16 | 16 |
| Pipe diameter - liquid side 5) | | inch / mm | ¼ / 6,0 | ¼ / 6,0 | ¼ / 6,0 | ¼ / 6,0 |
| Pipe diameter - gas side 5) | | inch / mm | ¾ / 9,5 | ¾ / 9,5 | ¾ / 9,5 | ¾ / 12,0 |
| Max pipe length without additional refrigerant 6) | | m | 5 | 5 | 5 | 5 |
| Allowed pipe length 7) | min. / max. | m | 3 / 15 | 3 / 15 | 3 / 25 | 3 / 25 |
| Max. elevation / Drop height | | m | 10 | 10 | 10 | 10 |
| Dimension of ID | w × h × d | mm | 773 × 250 × 185 | 773 × 250 × 185 | 970 × 300 × 225 | 970 × 300 × 225 |
| Dimensions of outdoor unit | w × h × d | mm | 732 × 550 × 330 | 732 × 550 × 330 | 732 × 555 × 330 | 873 × 555 × 376 |
| Package dimension of ID | w × h × d | mm | 822 × 322 × 255 | 822 × 322 × 255 | 1020 × 369 × 295 | 1020 × 369 × 295 |
| Package dimensions of outdoor unit | w × h × d | mm | 792 × 615 × 393 | 792 × 615 × 393 | 794 × 615 × 376 | 951 × 620 × 431 |
| Weight of ID | netto / brutto | kg | 8,5 / 9,5 | 8,0 / 9,5 | 13,5 / 16,0 | 13,0 / 15,5 |
| Weight of OD | netto / brutto | kg | 25,0 / 27,5 | 25,0 / 27,5 | 26,5 / 29,0 | 36,5 / 39,5 |
| Set temperature range | | °C | 16-30 | 16-30 | 16-30 | 16-30 |
| Operating temperature range cooling 8) | | °C | -15-43 | -15-43 | -15-43 | -15-43 |
| Operating temperature range heating 8) | | °C | -15-24 | -15-24 | -15-24 | -15-24 |
| ADDITIONAL TECHNICAL INFORMATION | | | | | | |
| Screw holes distance of OD | w × d | mm | 455 × 310 | | 455 × 310 | 528 × 349 |
| Communication cable | | mm ² | 4 × 0,75 (5m included) | | | |
| Recommended power cable | | mm ² | 3 × 1,5 | 3 × 1,5 | 3 × 1,5 | 3 × 1,5 |
| Recommended air switch | | A | 13 | 13 | 13 | 13 |
| EQUIPMENT | | | | | | |
| Plasma generator | indoor | | ✓ | ✓ | ✓ | ✓ |
| WiFi module | | | Optional (SWM-04) | | | |
| Drain pump | | | - | - | - | - |
| Max. lift (from bottom of ID unit) | | mm | - | - | - | - |
| Door contact (SMR-03V connector) | | | - | - | - | - |
| Alarm contact | | | - | - | - | - |
| Left-right guide louvres | | | - | - | - | - |
| Throttling method | outdoor | | Capillary | Capillary | Capillary | Capillary |
| Bottom chassis heater | | | - | - | - | - |
| Crankcase heater | | | Preheating | Preheating | Preheating | Preheating |
| Bottom plugs for OD | | | - | - | - | - |
| Drain pipe connector | | | - | - | - | - |
| STANDARD ACCESSORIES | | | | | | |
| Standard health filter | | | - | - | - | - |
| Remote controller (IR) | | | YAW1F5 (WiFi) | | | |
| Wired controller | | | - | - | - | - |
| OPTIONAL ACCESSORIES | | | | | | |
| Optional health filters | | | SAF-OPWA4, SAF-OPWB4, SAF-OPWC4, SAF-OPWK4, SAF-OPWM4, SAF-OPWP4, SAF-OPWS4 | | | |
| Wired controller | | | - | - | - | - |
| Central controller | | | - | - | - | - |
| Other | | | G2S-T, SAI-01, SWM-04 | | | |

The specification of products is subject to change based on further development of the units by the producer and can be changed without prior notice. Refer to rating label.

R32 (single component refrigerant HFC), GWP of refrigerant used: 675.

Contains fluorinated greenhouse gases covered by the Kyoto Protocol.

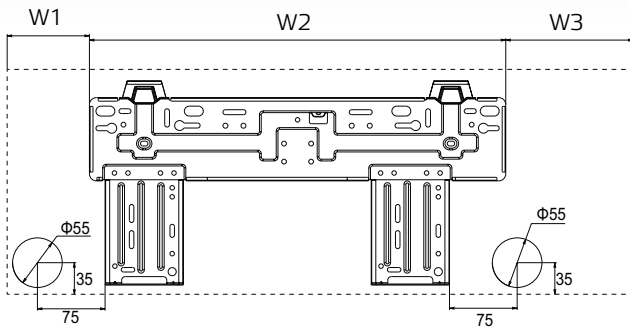
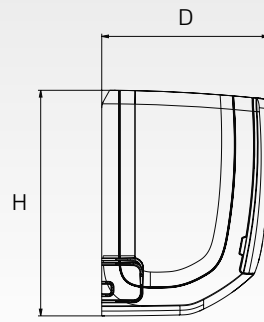
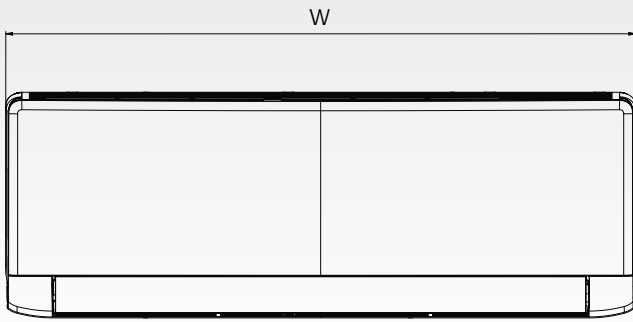
Explanatory notes on the very last page of the catalogue.

The device is being sold as a set (indoor + outdoor unit).

APPEARANCE AND DIMENSIONS OF INDOOR UNIT

RAY SERIES

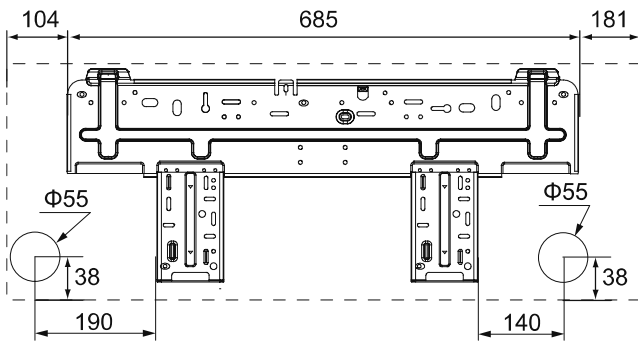
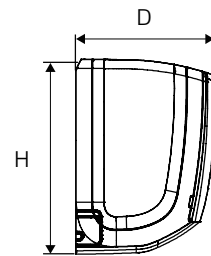
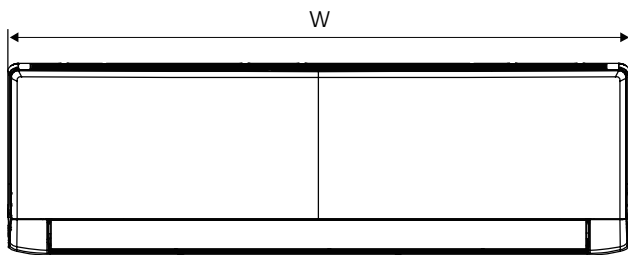
SIH-09BIR, SIH-12BIR



units: mm

| Model | W | H | D | W1 | W2 | W3 |
|--------------|-----|-----|-----|-----|-----|-----|
| SIH-09/12BIR | 773 | 250 | 185 | 131 | 462 | 180 |

SIH-18BIR, SIH-24BIR



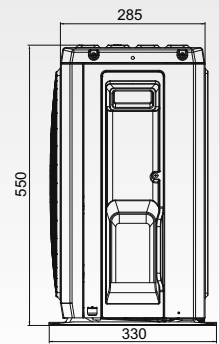
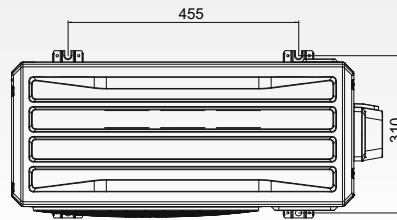
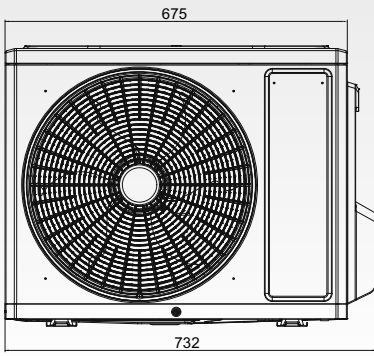
| Model | W | H | D |
|--------------|-----|-----|-----|
| SIH-18/24BIR | 970 | 300 | 225 |

units: mm

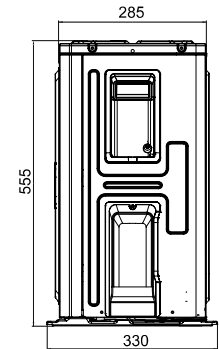
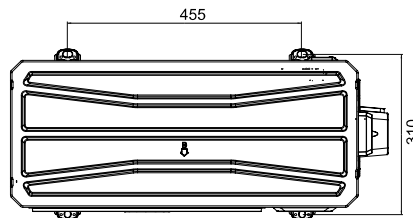
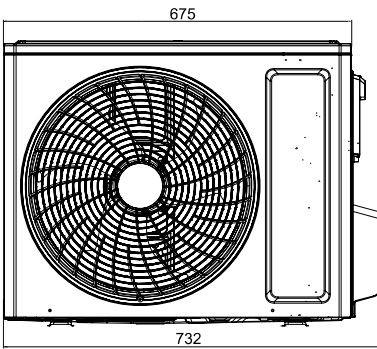
APPEARANCE AND DIMENSIONS OF OUTDOOR UNIT

RAY SERIES

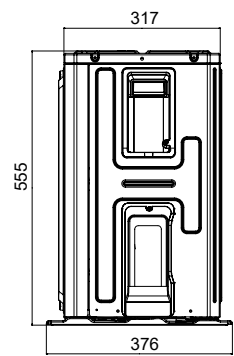
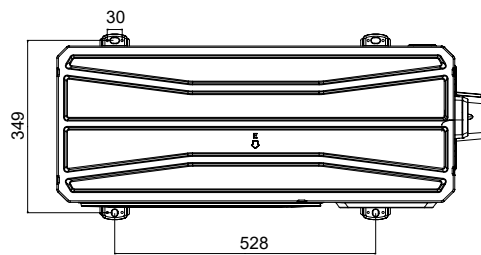
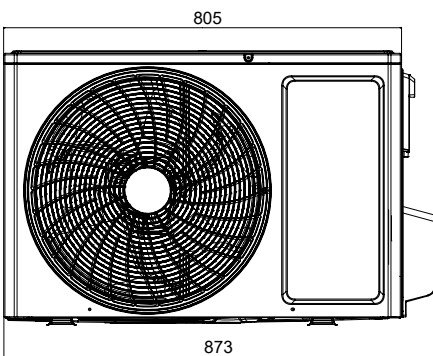
SOH-09BIR, SOH-12BIR



SOH-18BIR



SOH-24BIR

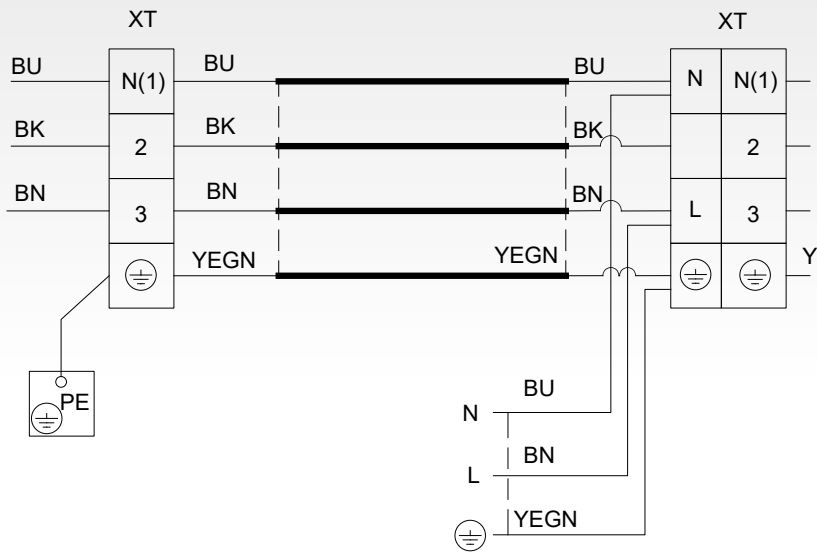


units: mm

ELECTRICAL WIRING DIAGRAM

RAY SERIES

INDOOR UNIT



CONSOLE SPLIT AIR CONDITIONERS

CONSOLE SERIES

| MODEL | | | ASP-09BI | ASP-12BI | ASP-18BI | | | |
|---|-----------------------------------|-----------------|---|-------------------------------|-------------------------------|---|--|--|
| Capacity cooling / heating 1) | Nominal (min-max) | kW | 2,7 (0,7-3,4) / 2,9 (0,6-3,5) | 3,5 (0,8-4,4) / 3,8 (1,1-4,4) | 5,2 (1,3-6,6) / 5,3 (1,1-6,8) | | | |
| Power supply | | Hz / V | 1~ / 50 / 220-240 | 1~ / 50 / 220-240 | 1~ / 50 / 220-240 | | | |
| Power supply | | | outdoor | outdoor | outdoor | | | |
| Power input cooling / heating 1) | | W | 720 / 730 | 1000 / 960 | 1550 / 1500 | | | |
| Maximal power input 2) | | W | 1350 | 1500 | 2500 | | | |
| Power current cooling / heating | | A | 3,5 / 3,6 | 4,5 / 4,3 | 7,1 / 6,7 | | | |
| Maximal power current 2) | | A | 6,0 | 6,7 | 11,1 | | | |
| Energy class cooling 3) | | | A++ | A++ | A++ | | | |
| Pdesign cooling | | kW | 2,7 | 3,5 | 5,2 | | | |
| SEER | | | 7,2 | 7,0 | 6,6 | | | |
| Annual power consumption | | kWh / annum | 131 | 175 | 276 | | | |
| Energy class heating 3) | Aver. / Warm. / Cool. | | A+ / A+++ / - | A+ / A+++ / - | A+ / A+++ / - | | | |
| Pdesign heating | Average climate | kW | 2,6 | 3,2 | 5,0 | | | |
| SCOP | Average climate | | 4,0 | 4,1 | 4,1 | | | |
| Annual power consumption | Average climate | kWh / annum | 910 | 1093 | 1707 | | | |
| Air flow of ID | SH/MH/H/ML/ML/SL | m³ / h | 500/430/410/370/330/280/250 | 600/520/480/440/400/360/280 | 700/650/580/520/460/410/320 | | | |
| Airflow of OD | H | m³ / h | 1600 | 2200 | 3200 | | | |
| Sound pressure level of ID at 1m 4) | SH/MH/H/ML/ML/SL | dB(A) | 39/36/33/31/29/26/22 | 44/40/38/36/33/29/25 | 47/45/42/40/37/35/31 | | | |
| Sound pressure level of OD at 1m 4) | H | dB(A) | 49 | 52 | 57 | | | |
| Sound power of ID 4) | SH/MH/H/ML/ML/SL | dB(A) | 50/48/45/44/42/38/34 | 54/50/48/46/43/39/35 | 57/55/52/50/47/45/41 | | | |
| Sound power of OD 4) | H | dB(A) | 60 | 62 | 65 | | | |
| Dehumidifying volume | | l / h | 0,8 | 1,2 | 1,8 | | | |
| Refrigerant type / charge | Type / kg / t eq. CO ₂ | | R32 / 0,55 / 0,37 | R32 / 0,75 / 0,51 | R32 / 0,95 / 0,64 | | | |
| Additional refrigerant | | g / m | 16 | 16 | 20 | | | |
| Pipe diameter - liquid side 5) | | inch / mm | ¼ / 6,0 | ¼ / 6,0 | ¼ / 6,0 | | | |
| Pipe diameter - gas side 5) | | inch / mm | ¾ / 9,5 | ¾ / 9,5 | ½ / 12,0 | | | |
| Max pipe length without additional refrigerant 6) | | m | 5 | 5 | 5 | | | |
| Allowed pipe length 7) | min. / max. | m | 3 / 20 | 3 / 20 | 3 / 25 | | | |
| Max. elevation / Drop height | | m | 10 | 10 | 10 | | | |
| Dimension of ID | w × h × d | mm | 700 × 600 × 215 | 700 × 600 × 215 | 700 × 600 × 215 | | | |
| Dimensions of outdoor unit | w × h × d | mm | 782 × 540 × 320 | 848 × 596 × 320 | 965 × 700 × 396 | | | |
| Package dimension of ID | w × h × d | mm | 788 × 685 × 295 | 788 × 685 × 295 | 788 × 697 × 283 | | | |
| Package dimensions of outdoor unit | w × h × d | mm | 823 × 595 × 358 | 881 × 645 × 363 | 1029 × 458 × 750 | | | |
| Weight of ID | netto / brutto | kg | 15,5 / 18,5 | 15,5 / 18,5 | 15,5 / 18,5 | | | |
| Weight of OD | netto / brutto | kg | 27,5 / 30,0 | 30,5 / 33,5 | 46,0 / 50,5 | | | |
| Set temperature range | | °C | 16-30 | 16-30 | 16-30 | | | |
| Operating temperature range cooling 8) | | °C | -15-43 | -15-43 | -15-43 | | | |
| Operating temperature range heating 8) | | °C | -22-24 | -22-24 | -22-24 | | | |
| ADDITIONAL TECHNICAL INFORMATION | | | | | | | | |
| Screw holes distance of OD | w × d | mm | 510 × 286 | 540 × 286 | 560 × 364 | | | |
| Communication cable | | mm ² | 4 × 0,75 (5m included) | | | | | |
| Recommended power cable | | mm ² | 3 × 1,5 | 3 × 1,5 | 3 × 2,5 | | | |
| Recommended air switch | | A | 10 | 13 | 16 | | | |
| EQUIPMENT | | | | | | | | |
| Plasma generator | indoor | | ✓ | ✓ | ✓ | | | |
| WiFi module | | | ✓ | ✓ | ✓ | | | |
| Drain pump | | | - | - | - | | | |
| Max. lift (from bottom of ID unit) | | mm | | - | - | - | | |
| Door contact | | | | - | - | - | | |
| Alarm contact | | | | - | - | - | | |
| Fresh air inlet | | | - | - | - | | | |
| Throttling method | outdoor | | EXV | EXV | EXV | | | |
| Bottom chassis heater | | | Heating belt | Heating belt | Heating belt | | | |
| Crankcase heater | | | Preheating | Preheating | Preheating | | | |
| Bottom plugs for OD | | | | - | - | ✓ | | |
| Drain pipe connector | | | | ✓ | ✓ | ✓ | | |
| | | | | | | | | |
| STANDARD ACCESSORIES | | | | | | | | |
| Standard health filter | | | SAF-OPWA4, SAF-OPWC4 | | | | | |
| Remote controller (IR) | | | YAA1FB8 | YAA1FB8 | YAA1FB8 | | | |
| Wired controller | | | - | - | - | | | |
| OPTIONAL ACCESSORIES | | | | | | | | |
| Optional health filters | | | SAF-OPWB4, SAF-OPWK4, SAF-OPWM4, SAF-OPWP4, SAF-OPWS4 | | | | | |
| Wired controller | | | SWC-02, SWC-04 | | | | | |
| Central controller | | | SCC-36 | | | | | |
| Other | | | G2S-T, SBG-01, SAI-01 | | | | | |

The specification of products is subject to change based on further development of the units by the producer and can be changed without prior notice. Refer to rating label.

R32 (single component refrigerant HFC), GWP of refrigerant used: 675.

Contains fluorinated greenhouse gases covered by the Kyoto Protocol.

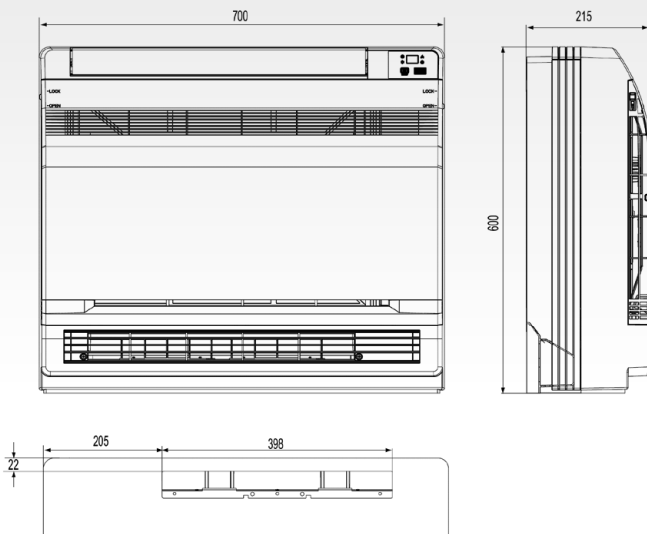
Explanatory notes on the very last page of the catalogue.

The device is being sold as a set (indoor + outdoor unit).

APPEARANCE AND DIMENSIONS OF INDOOR UNIT

CONSOLE SERIES

ASP-09BI, ASP-12BI, ASP-18BI

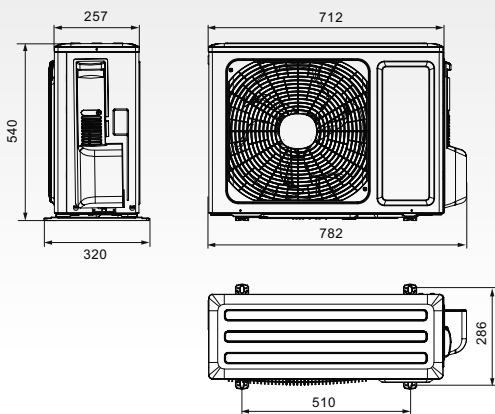


units: mm

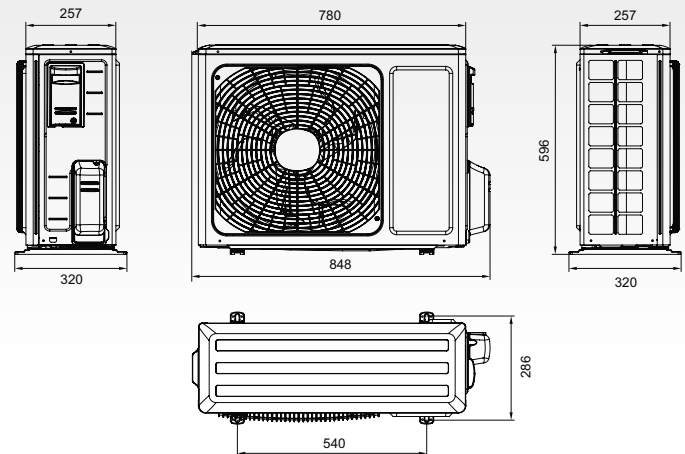
DIMENSIONS OF OUTDOOR UNIT

CONSOLE SERIES

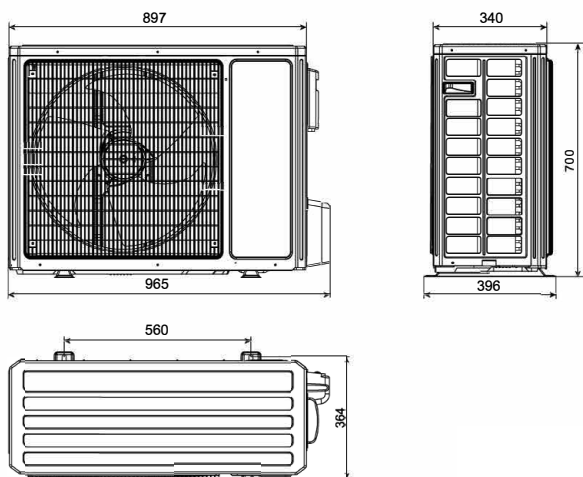
ASP-09BI



ASP-12BI



ASP-18BI



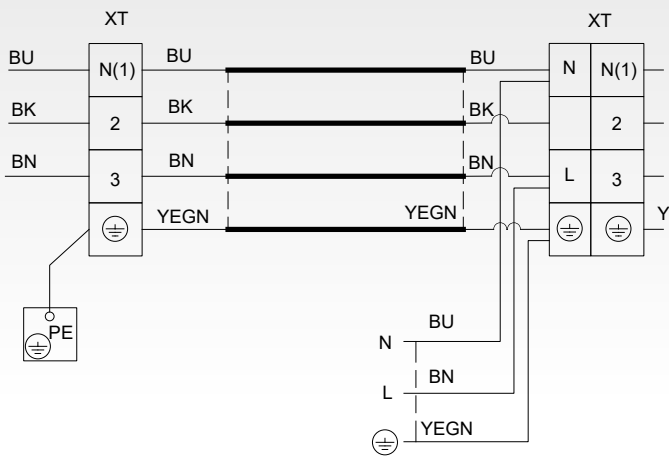
units: mm

ELECTRICAL WIRING DIAGRAM

CONSOLE SERIES

INDOOR UNIT

OUTDOOR UNIT



MULTI VARIABLE SERIES

| MODEL | | | SIH-09BIT | SIH-13BIT | SIH-18BIT | SIH-24BIT | |
|---|-------------------|--------------------|---|-------------------------------|-------------------------------|--------------------------------|--|
| Capacity cooling / heating 1) | Nominal (min-max) | kW | 2,7 (0,8-3,8) / 3,0 (0,9-4,2) | 3,5 (1,0-3,8) / 3,8 (0,9-4,7) | 5,2 (1,0-6,1) / 5,3 (1,1-6,0) | 7,0 (2,0-8,6) / 7,4 (1,8-9,0) | |
| Power supply | | Hz / V | 1~ / 50 / 220-240 | 1~ / 50 / 220-240 | 1~ / 50 / 220-240 | 1~ / 50 / 220-240 | |
| Air flow of ID | SH/MH/H/ML/ML/SL | m ³ / h | 610/570/540/470/440/420/390 | 700/650/600/540/480/420/360 | 800/720/650/610/570/520/470 | 1250/1100/1000/950/900/850/750 | |
| Sound pressure level of ID at 1m 4) | SH/MH/H/ML/ML/SL | dB(A) | 38/36/34/31/29/27/25 | 42/38/35/32/29/27/25 | 45/43/41/38/35/34/31 | 48/45/42/39/37/36/33 | |
| Sound power of ID 4) | SH/MH/H/ML/ML/SL | dB(A) | 56/48/46/43/41/39/37 | 57/50/47/44/41/39/37 | 59/57/55/52/49/48/45 | 58/55/52/49/47/46/43 | |
| Dehumidifying volume | | l / h | 0,8 | 1,4 | 1,8 | 2,4 | |
| Refrigerant type | | Type | R32 | R32 | R32 | R32 | |
| Pipe diameter - liquid side 5) | | inch / mm | ¼ / 6,0 | ¼ / 6,0 | ¼ / 6,0 | ¼ / 6,0 | |
| Pipe diameter - gas side 5) | | inch / mm | ¾ / 9,5 | ¾ / 9,5 | ½ / 12,0 | ¾ / 16,0 | |
| Dimension of ID | w × h × d | mm | 889 × 294 × 212 | 889 × 294 × 212 | 1013 × 307 × 221 | 1122 × 329 × 247 | |
| Package dimension of ID | w × h × d | mm | 940 × 365 × 284 | 940 × 365 × 284 | 1080 × 378 × 315 | 1177 × 406 × 332 | |
| Weight of ID | netto / brutto | kg | 11,0 / 13,0 | 11,0 / 13,0 | 13,5 / 16,5 | 17,5 / 21,0 | |
| Set temperature range | | °C | 16-30 | 16-30 | 16-30 | 16-30 | |
| ADDITIONAL TECHNICAL INFORMATION | | | | | | | |
| Communication cable | | mm ² | 4 × 0,75 (5m included) | | | | |
| Recommended power cable | | mm ² | Outdoor unit power supplied | | | | |
| Recommended air switch | | A | Outdoor unit power supplied | | | | |
| EQUIPMENT | | | | | | | |
| Plasma generator | indoor | | ✓ | ✓ | ✓ | ✓ | |
| WiFi module | | | ✓ | ✓ | ✓ | ✓ | |
| Drain pump | | | - | - | - | - | |
| Max. lift (from bottom of ID unit) | | mm | - | - | - | - | |
| Door contact (SMR-03V connector) | | | ✓ | ✓ | ✓ | ✓ | |
| Alarm contact | | | - | - | - | - | |
| Fresh air inlet | | | - | - | - | - | |
| STANDARD ACCESSORIES | | | | | | | |
| Standard health filter | | | SAF-OPWC4, SAF-OPWB4 | | | | |
| Remote controller (IR) | | | YAC1FB9 (WiFi) | | | | |
| Wired controller | | | - | - | - | - | |
| OPTIONAL ACCESSORIES | | | | | | | |
| Optional health filters | | | SAF-OPWA4, SAF-OPWK4, SAF-OPWM4, SAF-OPWP4, SAF-OPWS4 | | | | |
| Wired controller | | | SWC-02, SWC-04 | | | | |
| Central controller | | | SCC-36 | | | | |
| Other | | | G2S-T, SBG-01 | | | | |

The specification of products is subject to change based on further development of the units by the producer and can be changed without prior notice. Refer to rating label.

R32 (single component refrigerant HFC), GWP of refrigerant used: 675.

Contains fluorinated greenhouse gases covered by the Kyoto Protocol.

Explanatory notes on the very last page of the catalogue.

These indoor units may be combined with other indoor units from MULTI VARIABLE series, it is essential to follow combinations recommended in the combination table.

MULTI VARIABLE SERIES

| MODEL | | | SIH-18BIT2 | SIH-24BIT2 | | | |
|---|-------------------|--------------------|---|------------------------------------|--|--|--|
| Capacity cooling / heating 1) | Nominal (min-max) | kW | 5,3 (1,3-6,6) / 5,6 (1,4-7,5) | 7,1 (2,0-8,9) / 7,8 (1,8-9,5) | | | |
| Power supply | | Hz / V | 1~ / 50 / 220-240 | 1~ / 50 / 220-240 | | | |
| Air flow of ID | SH/MH/H/ML/ML/SL | m ³ / h | 850/750/680/610/570/520/460 | 1250/1100/1000/950/900/850/800/600 | | | |
| Sound pressure level of ID at 1m 4) | SH/MH/H/ML/ML/SL | dB(A) | 47/41/39/37/35/32/31/21 | 50/47/43/41/40/36/35/27 | | | |
| Sound power of ID 4) | SH/MH/H/ML/ML/SL | dB(A) | 60/57/55/54/52/50/46/34 | 64/59/56/55/53/51/48/42 | | | |
| Dehumidifying volume | | l / h | 1,9 | 2,4 | | | |
| Refrigerant type | | Type | R32 | R32 | | | |
| Pipe diameter - liquid side 5) | | inch / mm | ¼ / 6,0 | ¼ / 6,0 | | | |
| Pipe diameter - gas side 5) | | inch / mm | ½ / 12,0 | ¾ / 16,0 | | | |
| Dimension of ID | w × h × d | mm | 1013 × 307 × 221 | 1122 × 329 × 247 | | | |
| Package dimension of ID | w × h × d | mm | 958 × 660 × 402 | 1177 × 406 × 332 | | | |
| Weight of ID | netto / brutto | kg | 13,5 / 15,5 | 16,5 / 19,5 | | | |
| Set temperature range | | °C | 16-30 | 16-30 | | | |
| ADDITIONAL TECHNICAL INFORMATION | | | | | | | |
| Communication cable | | mm ² | 4 × 0,75 (5m included) | | | | |
| Recommended power cable | | mm ² | Outdoor unit power supplied | | | | |
| Recommended air switch | | A | Outdoor unit power supplied | | | | |
| EQUIPMENT | | | | | | | |
| Plasma generator | indoor | | ✓ | ✓ | | | |
| WiFi module | | | ✓ | ✓ | | | |
| Drain pump | | | - | - | | | |
| Max. lift (from bottom of ID unit) | | mm | - | - | | | |
| Door contact (SMR-03V connector) | | | ✓ | ✓ | | | |
| Alarm contact | | | - | - | | | |
| Fresh air inlet | | | - | - | | | |
| STANDARD ACCESSORIES | | | | | | | |
| Standard health filter | | | SAF-OPWC4, SAF-OPWB4 | | | | |
| Remote controller (IR) | | | YAC1FB9 (WIFI) | | | | |
| Wired controller | | | - | - | | | |
| OPTIONAL ACCESSORIES | | | | | | | |
| Optional health filters | | | SAF-OPWA4, SAF-OPWK4, SAF-OPWM4, SAF-OPWP4, SAF-OPWS4 | | | | |
| Wired controller | | | SWC-02, SWC-04 | | | | |
| Central controller | | | SCC-36 | | | | |
| Other | | | G2S-T, SBG-01 | | | | |

The specification of products is subject to change based on further development of the units by the producer and can be changed without prior notice. Refer to rating label.

R32 (single component refrigerant HFC), GWP of refrigerant used: 675.

Contains fluorinated greenhouse gases covered by the Kyoto Protocol.

Explanatory notes on the very last page of the catalogue.

These indoor units may be combined with other indoor units from MULTI VARIABLE series, it is essential to follow combinations recommended in the combination table.

MULTI VARIABLE SERIES

| MODEL | | | SIH-07BIK | SIH-09BIK | SIH-12BIK | SIH-18BIK | SIH-24BIK |
|-------------------------------------|-------------------|--------------------|-------------------------------|-------------------------------|-------------------------------|-------------------------------|-------------------------------|
| Capacity cooling / heating 1) | Nominal (min-max) | kW | 2,2 (0,3-2,9) / 2,4 (0,6-2,9) | 2,7 (0,6-3,4) / 2,8 (0,6-3,7) | 3,2 (0,9-3,7) / 3,4 (0,9-4,1) | 4,6 (1,0-5,3) / 5,2 (1,0-5,7) | 6,2 (1,8-6,4) / 6,5 (1,6-6,6) |
| Power supply | | Hz / V | 1~ / 50 / 220-240 | 1~ / 50 / 220-240 | 1~ / 50 / 220-240 | 1~ / 50 / 220-240 | 1~ / 50 / 220-240 |
| Air flow of ID | SH/MH/H/M/L/ML/SL | m ³ / h | 520/470/420/250 | 550/500/430/290 | 680/560/450/390 | 850/750/650/550 | 1100/950/750/650 |
| Sound pressure level of ID at 1m 4) | SH/MH/H/M/L/ML/SL | dB(A) | 39/37/33/22 | 40/38/34/23 | 41/36/32/23 | 48/41/37/31 | 48/44/40/35 |
| Sound power of ID 4) | SH/MH/H/M/L/ML/SL | dB(A) | 55/49/45/34 | 55/48/44/36 | 57/46/42/37 | 58/51/47/34 | 61/58/53/49 |
| Dehumidifying volume | | l / h | 0,6 | 1,4 | 1,4 | 1,8 | 1,8 |
| Refrigerant type | | Type | R32 | R32 | R32 | R32 | R32 |
| Pipe diameter - liquid side 5) | | inch / mm | ¼ / 6,0 | ¼ / 6,0 | ¼ / 6,0 | ¼ / 6,0 | ¼ / 6,0 |
| Pipe diameter - gas side 5) | | inch / mm | ¾ / 9,5 | ¾ / 9,5 | ¾ / 9,5 | ¾ / 9,5 | ½ / 12,0 |
| Dimension of ID | w × h × d | mm | 696 × 251 × 190 | 770 × 251 × 190 | 849 × 289 × 215 | 972 × 300 × 225 | 1081 × 325 × 248 |
| Package dimension of ID | w × h × d | mm | 747 × 324 × 262 | 822 × 324 × 262 | 902 × 357 × 279 | 1022 × 374 × 299 | 1137 × 407 × 334 |
| Weight of ID | netto / brutto | kg | 7,5 / 9,0 | 8,5 / 10,0 | 10,5 / 12,5 | 13,5 / 16,0 | 16,5 / 19,5 |
| Set temperature range | | °C | 16-30 | 16-30 | 16-30 | 16-30 | 16-30 |

ADDITIONAL TECHNICAL INFORMATION

| | | | | | | | |
|-------------------------|--|-----------------|-----------------------------|--|--|--|--|
| Communication cable | | mm ² | 4 × 0,75 (5m included) | | | | |
| Recommended power cable | | mm ² | Outdoor unit power supplied | | | | |
| Recommended air switch | | A | Outdoor unit power supplied | | | | |

EQUIPMENT

| | | | | | | | |
|------------------------------------|--------|----|-----------------------|---|---|---|---|
| Plasma generator | indoor | | ✓ | ✓ | ✓ | ✓ | ✓ |
| WiFi module | | | optional (via SWM-04) | ✓ | ✓ | ✓ | ✓ |
| Drain pump | | | - | - | - | - | - |
| Max. lift (from bottom of ID unit) | | mm | - | - | - | - | - |
| Door contact (SMR-03V connector) | | | - | - | ✓ | ✓ | ✓ |
| Alarm contact | | | - | - | - | - | - |
| Fresh air inlet | | | - | - | - | - | - |

STANDARD ACCESSORIES

| | | | | | | | |
|------------------------|--|--|----------------------|---|---|---|---|
| Standard health filter | | | SAF-OPWC4, SAF-OPWA4 | | | | |
| Remote controller (IR) | | | YAA1FB6 (WiFi) | | | | |
| Wired controller | | | - | - | - | - | - |

OPTIONAL ACCESSORIES

| | | | | | | | |
|-------------------------|--|--|---|---|----------------|---------------|--|
| Optional health filters | | | SAF-OPWB4, SAF-OPWK4, SAF-OPWM4, SAF-OPWP4, SAF-OPWS4 | | | | |
| Wired controller | | | - | - | SWC-02, SWC-04 | | |
| Central controller | | | - | - | SCC-36 | | |
| Other | | | G2S-T | | | G2S-T, SBG-01 | |

The specification of products is subject to change based on further development of the units by the producer and can be changed without prior notice. Refer to rating label.

R32 (single component refrigerant HFC), GWP of refrigerant used: 675.

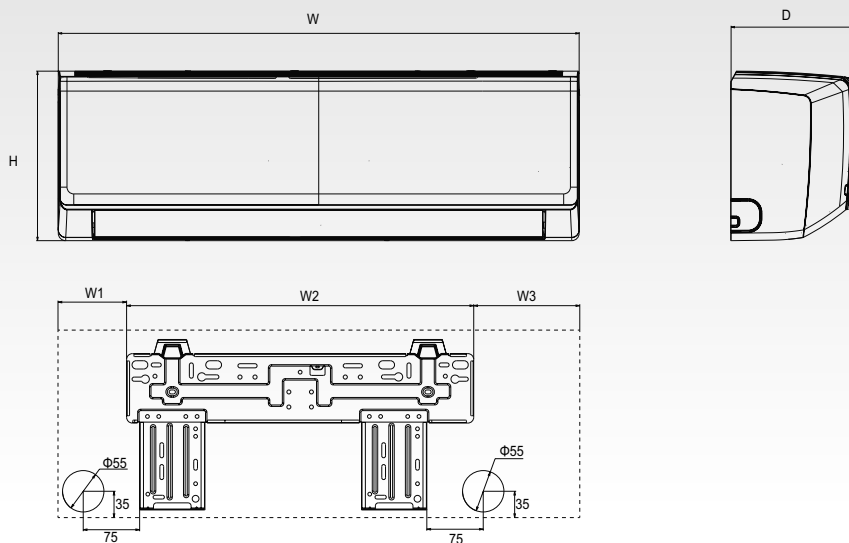
Contains fluorinated greenhouse gases covered by the Kyoto Protocol.

Explanatory notes on the very last page of the catalogue.

These indoor units may be combined with other indoor units from MULTI VARIABLE series, it is essential to follow combinations recommended in the combination table.

APPEARANCE AND DIMENSIONS OF INDOOR UNIT

SIH-07BIK



| | W | H | D | W1 | W2 | W3 |
|-----------|-----|-----|-----|----|-----|-----|
| SIH-07BIK | 696 | 251 | 190 | 92 | 462 | 142 |

WALL MOUNTED AIR CONDITIONERS RAY

MULTI VARIABLE SERIES

| MODEL | | | SIH-09BIR | SIH-12BIR | SIH-18BIR | SIH-24BIR |
|---|-------------------|-----------|---|-------------------------------|-------------------------------|-------------------------------|
| Capacity cooling / heating 1) | Nominal (min-max) | kW | 2,7 (0,5-3,3) / 2,8 (0,5-3,5) | 3,2 (0,9-3,6) / 3,4 (0,9-4,0) | 4,6 (1,0-5,3) / 5,2 (1,0-5,6) | 6,2 (1,8-6,9) / 6,5 (1,3-7,0) |
| Power supply | | Hz / V | 1~ / 50 / 220-240 | 1~ / 50 / 220-240 | 1~ / 50 / 220-240 | 1~ / 50 / 220-240 |
| Air flow of ID | SH/MH/H/M/L/ML/SL | m³ / h | 550/500/430/290 | 590/520/400/320 | 850/800/700/600 | 900/800/600/400 |
| Sound pressure level of ID at 1m 4) | SH/MH/H/M/L/ML/SL | dB(A) | 40/38/34/23 | 41/37/33/26 | 48/42/38/31 | 48/45/37/26 |
| Sound power of ID 4) | SH/MH/H/M/L/ML/SL | dB(A) | 55/48/44/36 | 56/49/45/38 | 58/52/48/34 | 58/55/47/36 |
| Dehumidifying volume | | l / h | 1,4 | 1,4 | 1,8 | 1,8 |
| Refrigerant type | | Type | R32 | R32 | R32 | R32 |
| Pipe diameter - liquid side 5) | | inch / mm | ¼ / 6,0 | ¼ / 6,0 | ¼ / 6,0 | ¼ / 6,0 |
| Pipe diameter - gas side 5) | | inch / mm | ¾ / 9,5 | ¾ / 9,5 | ¾ / 9,5 | ¾ / 12,0 |
| Dimension of ID | w × h × d | mm | 773 × 250 × 185 | 773 × 250 × 185 | 970 × 300 × 225 | 970 × 300 × 225 |
| Package dimension of ID | w × h × d | mm | 822 × 322 × 255 | 822 × 322 × 255 | 1020 × 369 × 295 | 1020 × 369 × 295 |
| Weight of ID | netto / brutto | kg | 8,5 / 9,5 | 8,0 / 9,5 | 13,5 / 16,0 | 13,0 / 15,5 |
| Set temperature range | | °C | 16-30 | 16-30 | 16-30 | 16-30 |
| ADDITIONAL TECHNICAL INFORMATION | | | | | | |
| Communication cable | | mm² | 4 × 0,75 (5m included) | | | |
| Recommended power cable | | mm² | Outdoor unit power supplied | | | |
| Recommended air switch | | A | Outdoor unit power supplied | | | |
| EQUIPMENT | | | | | | |
| Plasma generator | indoor | | ✓ | ✓ | ✓ | ✓ |
| WiFi module | | | Optional (SWM-04) | | | |
| Drain pump | | | - | - | - | - |
| Max. lift (from bottom of ID unit) | | mm | - | - | - | - |
| Door contact (SMR-03V connector) | | | - | - | - | - |
| Alarm contact | | | - | - | - | - |
| Fresh air inlet | | | - | - | - | - |
| STANDARD ACCESSORIES | | | | | | |
| Standard health filter | | | - | - | - | - |
| Remote controller (IR) | | | YAW1F5 (WiFi) | | | |
| Wired controller | | | - | - | - | - |
| OPTIONAL ACCESSORIES | | | | | | |
| Optional health filters | | | SAF-OPWA4, SAF-OPWB4, SAF-OPWC4, SAF-OPWK4, SAF-OPWM4, SAF-OPWP4, SAF-OPWS4 | | | |
| Wired controller | | | - | - | - | - |
| Central controller | | | - | - | - | - |
| Other | | | G2S-T, SWM-04 | | | |

The specification of products is subject to change based on further development of the units by the producer and can be changed without prior notice. Refer to rating label.

R32 (single component refrigerant HFC), GWP of refrigerant used: 675.

Contains fluorinated greenhouse gases covered by the Kyoto Protocol.

Explanatory notes on the very last page of the catalogue.

These indoor units may be combined with other indoor units from MULTI VARIABLE series, it is essential to follow combinations recommended in the combination table.

CONSOLE INDOOR UNITS

MULTI VARIABLE SERIES

| MODEL | | | MV-P09BI | MV-P12BI | MV-P18BI | | |
|---|------------------|--------------------|---|-----------------------------|-----------------------------|--|--|
| Capacity cooling / heating 1) | Nominal | kW | 2,7 / 2,8 | 3,5 / 3,8 | 5,2 / 5,3 | | |
| Power supply | | Hz / V | 1~ / 50 / 220-240 | 1~ / 50 / 220-240 | 1~ / 50 / 220-240 | | |
| Air flow of ID | SH/MH/H/ML/ML/SL | m ³ / h | 500/430/410/370/330/280/250 | 600/520/480/440/400/360/280 | 700/650/580/520/460/410/320 | | |
| Sound pressure level of ID at 1m 4) | SH/MH/H/ML/ML/SL | dB(A) | 39/36/33/31/29/26/22 | 44/40/38/36/33/29/25 | 47/45/42/40/37/35/31 | | |
| Sound power of ID 4) | SH/MH/H/ML/ML/SL | dB(A) | 50/48/45/44/42/38/34 | 54/50/48/46/43/39/35 | 57/55/52/50/47/45/41 | | |
| Dehumidifying volume | | l / h | 0,8 | 1,2 | 1,8 | | |
| Refrigerant type | | Type | R32 | R32 | R32 | | |
| Pipe diameter - liquid side 5) | | inch / mm | ¼ / 6,0 | ¼ / 6,0 | ¼ / 6,0 | | |
| Pipe diameter - gas side 5) | | inch / mm | ¾ / 9,5 | ¾ / 9,5 | ¾ / 12,0 | | |
| Dimension of ID | w × h × d | mm | 700 × 600 × 215 | 700 × 600 × 215 | 700 × 600 × 215 | | |
| Package dimension of ID | w × h × d | mm | 788 × 685 × 295 | 788 × 685 × 295 | 788 × 697 × 283 | | |
| Weight of ID | netto / brutto | kg | 15,5 / 18,5 | 15,5 / 18,5 | 15,5 / 18,5 | | |
| Set temperature range | | °C | 16-30 | 16-30 | 16-30 | | |
| ADDITIONAL TECHNICAL INFORMATION | | | | | | | |
| Screw holes distance | w × d | mm | See service manual | | | | |
| Communication cable | | mm ² | 4 × 0,75 | | | | |
| Recommended power cable 11) | | mm ² | Outdoor unit power supplied | | | | |
| Recommended air switch | | A | Outdoor unit power supplied | | | | |
| EQUIPMENT | | | | | | | |
| Plasma generator | | | ✓ | ✓ | ✓ | | |
| WiFi module | | | ✓ | ✓ | ✓ | | |
| Drain pump | | | - | - | - | | |
| Max. lift (from bottom of ID unit) | | mm | - | - | - | | |
| Dry contact (ON / OFF) | | | - | - | - | | |
| Alarm contact | | | - | - | - | | |
| Fresh air inlet | | | - | - | - | | |
| STANDARD ACCESSORIES | | | | | | | |
| Standard health filter | | | SAF-OPWC1, SAF-OPWA1 | | | | |
| Remote controller (IR) | | | YAA1FB8 | YAA1FB8 | YAA1FB8 | | |
| Wired controller | | | - | - | - | | |
| OPTIONAL ACCESSORIES | | | | | | | |
| Optional health filters | | | SAF-OPWB4, SAF-OPWK4, SAF-OPWM4, SAF-OPWP4, SAF-OPWS4 | | | | |
| Wired controller | | | SWC-02, SWC-04 | | | | |
| Central controller | | | SCC-36 | | | | |
| Other | | | G2S-T, SBG-01 | | | | |

The specification of products is subject to change based on further development of the units by the producer and can be changed without prior notice. Refer to rating label.

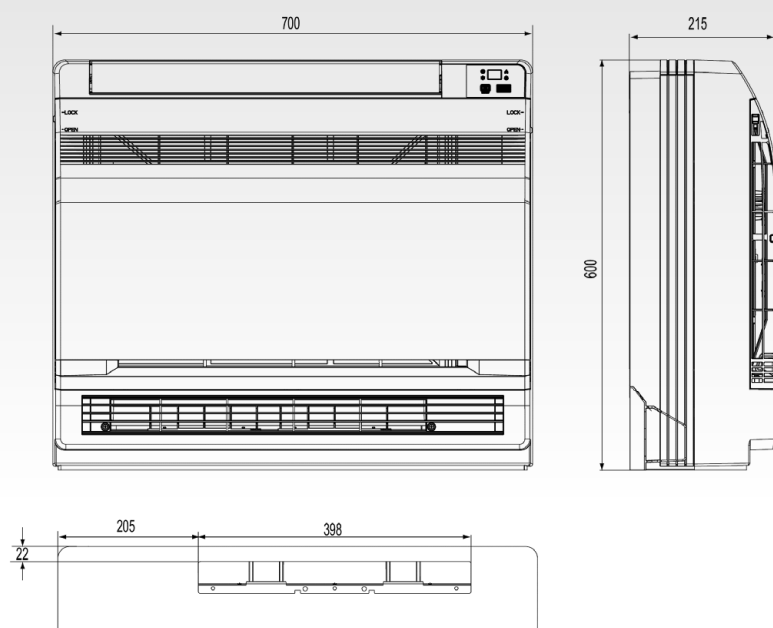
R32 (single component refrigerant HFC), GWP of refrigerant used: 675.

Contains fluorinated greenhouse gases covered by the Kyoto Protocol.

Explanatory notes on the very last page of the catalogue.

These indoor units may be combined with other indoor units from MULTI VARIABLE series, it is essential to follow combinations recommended in the combination table.

APPEARANCE AND DIMENSIONS OF INDOOR UNIT



units: mm

FLOOR CEILING INDOOR UNITS

MULTI VARIABLE SERIES

| MODEL | | | MV-F09BI | MV-F12BI | MV-F18BI | MV-F24BI | | |
|---|----------------|-----------|-----------------------------|-----------------------|-----------------------|-----------------------|--|--|
| Capacity cooling / heating 1) | Nominal | kW | 2,6 / 2,7 | 3,5 / 4,0 | 4,5 / 5,0 | 7,1 / 8,0 | | |
| Power supply | | Hz / V | 1~ / 50 / 220-240 | 1~ / 50 / 220-240 | 1~ / 50 / 220-240 | 1~ / 50 / 220-240 | | |
| Air flow of ID | SH/H/M/L | m³ / h | 700/610/540/420 | 700/610/540/420 | 680/590/520/410 | 950/870/800/720 | | |
| Sound pressure level of ID at 1m 4) | SH/H/M/L | dB(A) | 38/35/30/26 | 38/35/30/26 | 38/35/30/26 | 38/35/30/26 | | |
| Sound power of ID 4) | SH/H/M/L | dB(A) | 52/49/44/40 | 52/49/44/40 | 52/49/44/40 | 52/49/44/41 | | |
| Dehumidifying volume | | l / h | 0,8 | 1,4 | 1,8 | 2,5 | | |
| Refrigerant type | | Type | R32 | R32 | R32 | R32 | | |
| Pipe diameter - liquid side 5) | | inch / mm | ¼ / 6,0 | ¼ / 6,0 | ¼ / 6,0 | ¾ / 9,5 | | |
| Pipe diameter - gas side 5) | | inch / mm | ¾ / 9,5 | ½ / 12,0 | ½ / 12,0 | ¾ / 16,0 | | |
| Dimension of ID | w × h × d | mm | 870 × 665 × 235 | 870 × 665 × 235 | 870 × 665 × 235 | 1200 × 665 × 235 | | |
| Package dimension of ID | w × h × d | mm | 1033 × 770 × 300 | 1033 × 770 × 300 | 1033 × 770 × 300 | 1363 × 770 × 300 | | |
| Weight of ID | netto / brutto | kg | 25,0 / 30,0 | 25,0 / 30,0 | 25,5 / 30,5 | 33,0 / 40,0 | | |
| Set temperature range | | °C | 16-30 | 16-30 | 16-30 | 16-30 | | |
| ADDITIONAL TECHNICAL INFORMATION | | | | | | | | |
| Screw holes distance | w × d | mm | See service manual | | | | | |
| Communication cable | | mm² | 4 × 1,0 | 4 × 1,0 | 4 × 1,0 | 4 × 1,0 | | |
| Recommended power cable 11) | | mm² | Outdoor unit power supplied | | | | | |
| Recommended air switch | | A | Outdoor unit power supplied | | | | | |
| EQUIPMENT | | | | | | | | |
| Plasma generator | | | - | - | - | - | | |
| WiFi module | | | optional (via SWC-04) | optional (via SWC-04) | optional (via SWC-04) | optional (via SWC-04) | | |
| Drain pump | | | - | - | - | - | | |
| Max. lift (from bottom of ID unit) | | mm | - | - | - | - | | |
| Door contact (SMR-03V connector) | | | ✓ | ✓ | ✓ | ✓ | | |
| Alarm contact | | | - | - | - | - | | |
| Fresh air inlet | | | - | - | - | - | | |
| STANDARD ACCESSORIES | | | | | | | | |
| Standard health filter | | | - | - | - | - | | |
| Remote controller (IR) | | | YT1F | YT1F | YT1F | YT1F | | |
| Wired controller | | | XK19 | XK19 | XK19 | XK19 | | |
| OPTIONAL ACCESSORIES | | | | | | | | |
| Optional health filters | | | - | | | | | |
| Wired controller | | | SWC-02, SWC-04 | | | | | |
| Central controller | | | SCC-36 | | | | | |
| Other | | | G2S-T, SBG-01 | | | | | |

The specification of products is subject to change based on further development of the units by the producer and can be changed without prior notice. Refer to rating label.

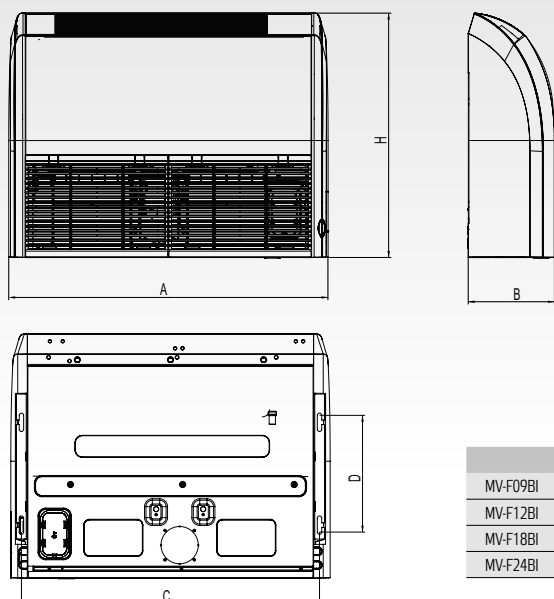
R32 (single component refrigerant HFC), GWP of refrigerant used: 675.

Contains fluorinated greenhouse gases covered by the Kyoto Protocol.

Explanatory notes on the very last page of the catalogue.

These indoor units may be combined with other indoor units from MULTI VARIABLE series, it is essential to follow combinations recommended in the combination table.

APPEARANCE AND DIMENSIONS OF INDOOR UNIT



| | A | B | C | D | H |
|----------|------|-----|------|-----|-----|
| MV-F09BI | | | | | |
| MV-F12BI | 870 | 235 | 812 | 318 | 665 |
| MV-F18BI | | | | | |
| MV-F24BI | 1200 | 235 | 1142 | 318 | 665 |

units: mm

CASSETTE INDOOR UNITS

MULTI VARIABLE SERIES

| MODEL | | | MV-C12BI2 | MV-C18BI2 | MV-C24BI2 | | |
|---|----------------|--------------------|-----------------------------|-------------------|-------------------|--|--|
| Capacity cooling / heating 1) | Nominal | kW | 3,5 / 4,0 | 5,0 / 5,5 | 7,0 / 8,0 | | |
| Power supply | | Hz / V | 1~ / 50 / 220-240 | 1~ / 50 / 220-240 | 1~ / 50 / 220-240 | | |
| Air flow of ID | SH/H/M/L | m ³ / h | 560/490/420/350 | 650/490/420/350 | 1100/950/870/800 | | |
| Sound pressure level of ID at 1,4m 4) | SH/H/M/L | dB(A) | 41/36/32/28 | 43/36/32/28 | 46/42/39/37 | | |
| Sound power of ID 4) | SH/H/M/L | dB(A) | 57/52/48/44 | 59/52/48/44 | 61/59/57/55 | | |
| Dehumidifying volume | | l / h | 1,4 | 1,8 | 2,5 | | |
| Refrigerant type | | Type | R32 | R32 | R32 | | |
| Pipe diameter - liquid side 5) | | inch / mm | ¼ / 6,0 | ¼ / 6,0 | ¼ / 6,0 | | |
| Pipe diameter - gas side 5) | | inch / mm | ¾ / 9,5 | ¾ / 12,0 | ¾ / 16,0 | | |
| Dimension of ID | w × h × d | mm | 570 × 265 × 570 | 570 × 265 × 570 | 840 × 240 × 840 | | |
| Dimension of panel | w × h × d | mm | 620 × 47,5 × 620 | 620 × 47,5 × 620 | 950 × 52 × 950 | | |
| Package dimension of ID | w × h × d | mm | 698 × 295 × 653 | 698 × 295 × 653 | 963 × 325 × 963 | | |
| Package dimension of panel | w × h × d | mm | 701 × 125 × 701 | 701 × 125 × 701 | 1033 × 112 × 1038 | | |
| Weight of ID | netto / brutto | kg | 17,0 / 22,0 | 17,0 / 22,0 | 29,0 / 36,0 | | |
| Weight of panel | netto / brutto | kg | 3,0 / 4,0 | 3,0 / 4,0 | 6,0 / 9,5 | | |
| Set temperature range | | °C | 16-30 | 16-30 | 16-30 | | |
| ADDITIONAL TECHNICAL INFORMATION | | | | | | | |
| Screw holes distance | w × d | mm | See service manual | | | | |
| Communication cable | | mm ² | 4 × 1,0 | 4 × 1,0 | 4 × 1,0 | | |
| Recommended power cable 11) | | mm ² | Outdoor unit power supplied | | | | |
| Recommended air switch | | A | Outdoor unit power supplied | | | | |
| EQUIPMENT | | | | | | | |
| Plasma generator | | | - | - | - | | |
| WiFi module | | | (via SWC-04) | (via SWC-04) | (via SWC-04) | | |
| Drain pump | | | ✓ | ✓ | ✓ | | |
| Max. lift (from bottom of ID unit) | | mm | 500 | 500 | 500 | | |
| Door contact (SMR-03V connector) | | | ✓ | ✓ | ✓ | | |
| Alarm contact | | | - | - | - | | |
| Fresh air inlet | | | ✓ | ✓ | ✓ | | |
| Decorative panel | | | ✓ | ✓ | ✓ | | |
| STANDARD ACCESSORIES | | | | | | | |
| Standard health filter | | | - | - | - | | |
| Remote controller (IR) | | | YAP1F7 | YAP1F7 | YAP1F7 | | |
| Wired controller | | | SWC-04 | SWC-04 | SWC-04 | | |
| OPTIONAL ACCESSORIES | | | | | | | |
| Optional health filter | | | | - | | | |
| Wired controller | | | | SWC-02 | | | |
| Central controller | | | | SCC-36 | | | |
| Other | | | | G2S-T, SBG-01 | | | |

The specification of products is subject to change based on further development of the units by the producer and can be changed without prior notice. Refer to rating label.

R32 (single component refrigerant HFC), GWP of refrigerant used: 675.

Contains fluorinated greenhouse gases covered by the Kyoto Protocol.

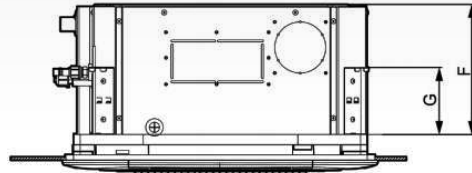
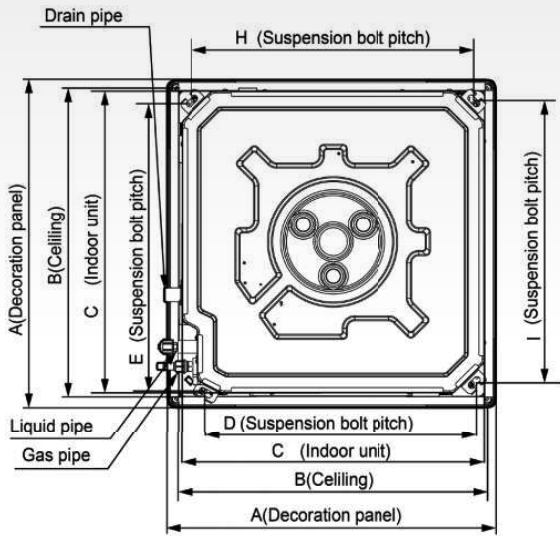
Explanatory notes on the very last page of the catalogue.

These indoor units may be combined with other indoor units from MULTI VARIABLE series, it is essential to follow combinations recommended in the combination table.

APPEARANCE AND DIMENSIONS OF INDOOR UNIT

MV-C12BI2

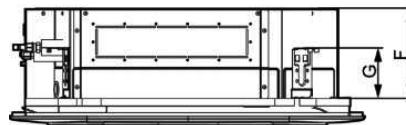
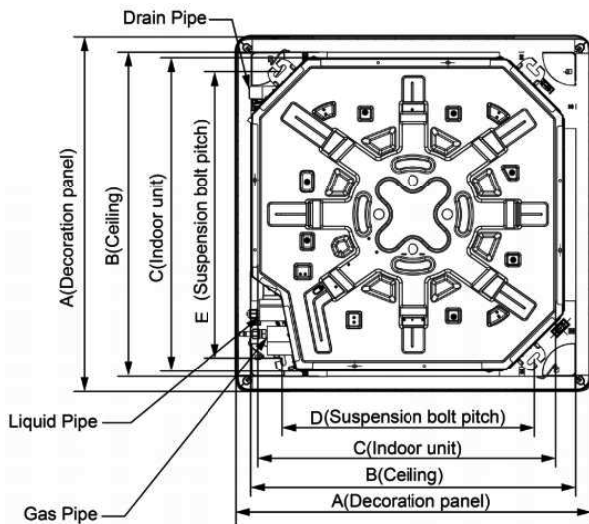
MV-C18BI2



| Model | A | B | C | D | E | F | G | H | I |
|-----------|-----|-----|-----|-----|-----|-----|-----|-----|-----|
| MV-C12BI2 | 620 | 580 | 570 | 505 | 550 | 265 | 140 | 530 | 530 |
| MV-C18BI2 | 620 | 580 | 570 | 505 | 550 | 265 | 140 | 530 | 530 |

units: mm

MV-C24BI2



| Model | A | B | C | D | E | F | G |
|-----------|-----|-----|-----|-----|-----|-----|-----|
| MV-C24BI2 | 950 | 870 | 840 | 680 | 780 | 240 | 135 |

units: mm

DUCT INDOOR UNITS

MULTI VARIABLE SERIES

| MODEL | | | MV-D09BI | MV-D12BI | MV-D18BI | MV-D24BI | |
|---|----------------|--------------------|-----------------------|-----------------------|-----------------------------|-----------------------|--|
| Capacity cooling / heating 1) | Nominal | kW | 2,5 / 2,8 | 3,5 / 3,9 | 5,0 / 5,5 | 7,1 / 8,0 | |
| Power supply | | Hz / V | 1~ / 50 / 220-240 | 1~ / 50 / 220-240 | 1~ / 50 / 220-240 | 1~ / 50 / 220-240 | |
| Air flow of ID | SH/H/M/L | m ³ / h | 450/350/280 | 550/400/300 | 700/600/500 | 1000/750/550 | |
| Sound pressure level of ID at 1,4m 4) | SH/H/M/L | dB(A) | 47/41/37/34/31 | 49/42/39/35/32 | 51/43/41/33/- | 52/44/42/34/- | |
| Sound power of ID 4) | SH/H/M/L | dB(A) | 57/51/47/44/41 | 59/52/49/45/42 | 61/53/51/43/- | 62/55/52/44/- | |
| External static pressure | nom / min-max | Pa | 25 / 0-50 | 25 / 0-50 | 25 / 0-50 | 25 / 0-50 | |
| Dehumidifying volume | | l / h | 0,8 | 1,4 | 1,8 | 2,5 | |
| Refrigerant type | | Type | R32 | R32 | R32 | R32 | |
| Pipe diameter - liquid side 5) | | inch / mm | ¼ / 6,0 | ¼ / 6,0 | ¼ / 6,0 | ¾ / 9,5 | |
| Pipe diameter - gas side 5) | | inch / mm | ¾ / 9,5 | ¾ / 9,5 | ½ / 12,0 | ¾ / 16,0 | |
| Dimension of ID | w x h x d | mm | 700 x 200 x 615 | 700 x 200 x 615 | 900 x 200 x 615 | 1100 x 200 x 615 | |
| Package dimension of ID | w x h x d | mm | 893 x 305 x 743 | 893 x 305 x 743 | 1123 x 305 x 743 | 1323 x 305 x 743 | |
| Weight of ID | netto / brutto | kg | 21,0 / 26,0 | 22,0 / 28,0 | 26,0 / 32,0 | 30,0 / 40,0 | |
| Set temperature range | | °C | 16-30 | 16-30 | 16-30 | 16-30 | |
| ADDITIONAL TECHNICAL INFORMATION | | | | | | | |
| Screw holes distance | w x d | mm | 742 x 491 | 742 x 491 | 942 x 491 | 1142 x 491 | |
| Communication cable | | mm ² | 4 x 1,0 | 4 x 1,0 | 4 x 1,0 | 4 x 1,0 | |
| Recommended power cable 11) | | mm ² | | | Outdoor unit power supplied | | |
| Recommended air switch | | A | | | Outdoor unit power supplied | | |
| EQUIPMENT | | | | | | | |
| Plasma generator | | | - | - | - | - | |
| WiFi module | | | optional (via SWC-04) | optional (via SWC-04) | optional (via SWC-04) | optional (via SWC-04) | |
| Drain pump | | | ✓ | ✓ | ✓ | ✓ | |
| Max. lift (from bottom of ID unit) | | mm | 1000 | 1000 | 1000 | 1000 | |
| Dry contact (ON / OFF) | | | - | - | - | - | |
| Alarm contact | | | - | - | - | - | |
| Fresh air inlet | | | - | - | - | - | |
| STANDARD ACCESSORIES | | | | | | | |
| Standard health filter | | | - | - | - | - | |
| Remote controller (IR) | | | YT1F | YT1F | YT1F | YT1F | |
| Wired controller | | | XK19 | XK19 | XK19 | XK19 | |
| OPTIONAL ACCESSORIES | | | | | | | |
| Optional health filters | | | | | | | |
| Wired controller | | | | | SWC-02, SWC-04 | | |
| Central controller | | | | | SCC-36 | | |
| Other | | | | | G2S-T, SBG-01 | | |

The specification of products is subject to change based on further development of the units by the producer and can be changed without prior notice. Refer to rating label.

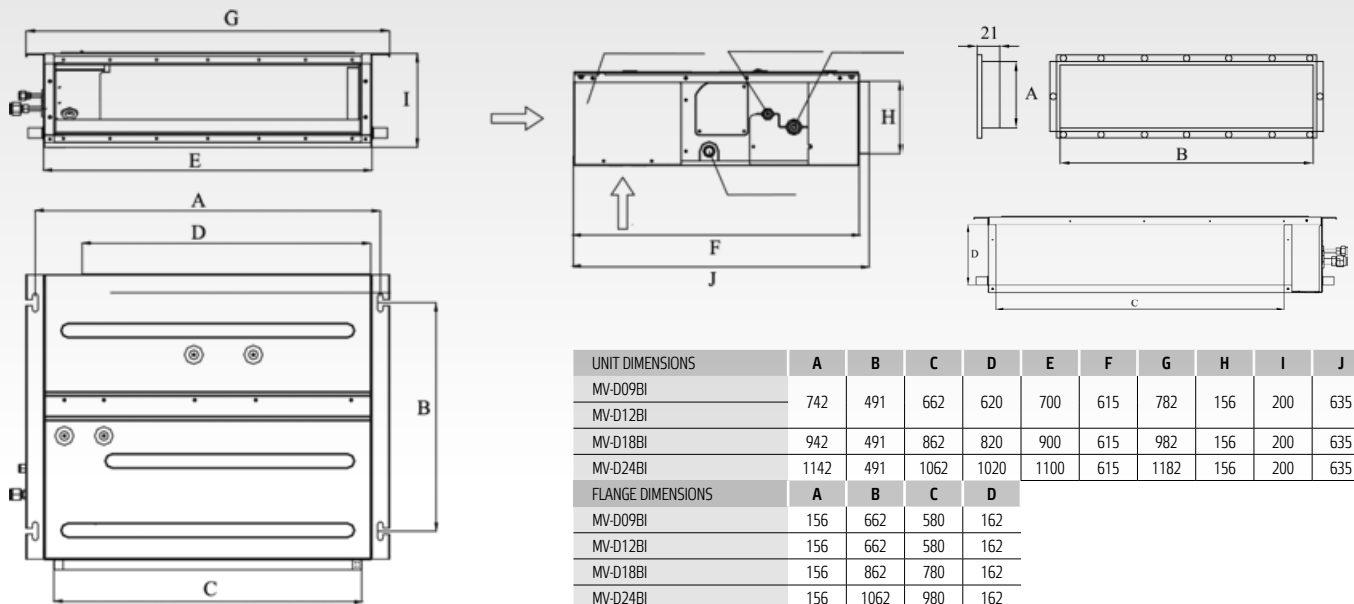
R32 (single component refrigerant HFC), GWP of refrigerant used: 675.

Contains fluorinated greenhouse gases covered by the Kyoto Protocol.

Explanatory notes on the very last page of the catalogue.

These indoor units may be combined with other indoor units from MULTI VARIABLE series, it is essential to follow combinations recommended in the combination table.

APPEARANCE AND DIMENSIONS OF INDOOR UNIT



DUCT INDOOR UNITS

MULTI VARIABLE SERIES

| MODEL | | | MV-D09B12 | MV-D12B12 | MV-D18B12 | MV-D24B12 | |
|---|----------------|--------------------|-------------------|-------------------|-----------------------------|--------------------|--|
| Capacity cooling / heating 1) | Nominal | kW | 2,7 / 2,8 | 3,5 / 4,0 | 5,0 / 5,5 | 7,0 / 8,0 | |
| Power supply | | Hz / V | 1~ / 50 / 220-240 | 1~ / 50 / 220-240 | 1~ / 50 / 220-240 | 1~ / 50 / 220-240 | |
| Air flow of ID | SH/H/M/L | m ³ / h | 560/450/340/220 | 600/540/420/300 | 800/720/610/420 | 1300/1200/1000/900 | |
| Sound pressure level of ID at 1,4m 4) | SH/H/M/L | dB(A) | 32/28/25/22 | 36/34/31/27 | 36/31/28/25 | 46/42/40/36 | |
| Sound power of ID 4) | SH/H/M/L | dB(A) | 47/43/40/37 | 51/49/46/42 | 51/46/43/40 | 61/57/55/51 | |
| External static pressure | nom / min-max | Pa | 0-10 | 0-10 | 0-10 | 0-40 | |
| Dehumidifying volume | | l / h | 0,8 | 1,4 | 1,8 | 2,5 | |
| Refrigerant type | | Type | R32 | R32 | R32 | R32 | |
| Pipe diameter - liquid side 5) | | inch / mm | ¼ / 6,0 | ¼ / 6,0 | ¼ / 6,0 | ¼ / 6,0 | |
| Pipe diameter - gas side 5) | | inch / mm | ¾ / 9,5 | ¾ / 9,5 | ½ / 12,0 | ¾ / 16,0 | |
| Dimension of ID | w × h × d | mm | 710 × 200 × 450 | 710 × 200 × 450 | 1010 × 200 × 450 | 900 × 260 × 655 | |
| Package dimension of ID | w × h × d | mm | 1008 × 275 × 568 | 1008 × 275 × 568 | 1308 × 275 × 568 | 1115 × 320 × 772 | |
| Weight of ID | netto / brutto | kg | 18,5 / 22,5 | 19,0 / 23,0 | 25,0 / 30,0 | 31,0 / 36,0 | |
| Set temperature range | | °C | 16-30 | 16-30 | 16-30 | 16-30 | |
| ADDITIONAL TECHNICAL INFORMATION | | | | | | | |
| Screw holes distance | w × d | mm | 760 × 415 | 760 × 415 | 1060 × 415 | 942 × 530 | |
| Communication cable | | mm ² | 4 × 1,0 | 4 × 1,0 | 4 × 1,0 | 4 × 1,0 | |
| Recommended power cable 11) | | mm ² | | | Outdoor unit power supplied | | |
| Recommended air switch | | A | | | Outdoor unit power supplied | | |
| EQUIPMENT | | | | | | | |
| Plasma generator | | | - | - | - | - | |
| WiFi module | | | (via SWC-04) | (via SWC-04) | (via SWC-04) | (via SWC-04) | |
| Drain pump | | | ✓ | ✓ | ✓ | ✓ | |
| Max. lift (from bottom of ID unit) | | mm | 1000 | 1000 | 1000 | 1000 | |
| Dry contact (ON / OFF) | | | ✓ | ✓ | ✓ | ✓ | |
| Alarm contact | | | - | - | - | - | |
| Fresh air inlet | | | - | - | - | - | |
| STANDARD ACCESSORIES | | | | | | | |
| Standard health filter | | | - | - | - | - | |
| Remote controller (IR) | | | YAP1F7 | YAP1F7 | YAP1F7 | YAP1F7 | |
| Wired controller | | | SWC-04 | SWC-04 | SWC-04 | SWC-04 | |
| OPTIONAL ACCESSORIES | | | | | | | |
| Optional health filters | | | | | | | |
| Wired controller | | | | SWC-02 | | | |
| Central controller | | | | SCC-36 | | | |
| Other | | | | G2S-T, SBG-01 | | | |

The specification of products is subject to change based on further development of the units by the producer and can be changed without prior notice. Refer to rating label.

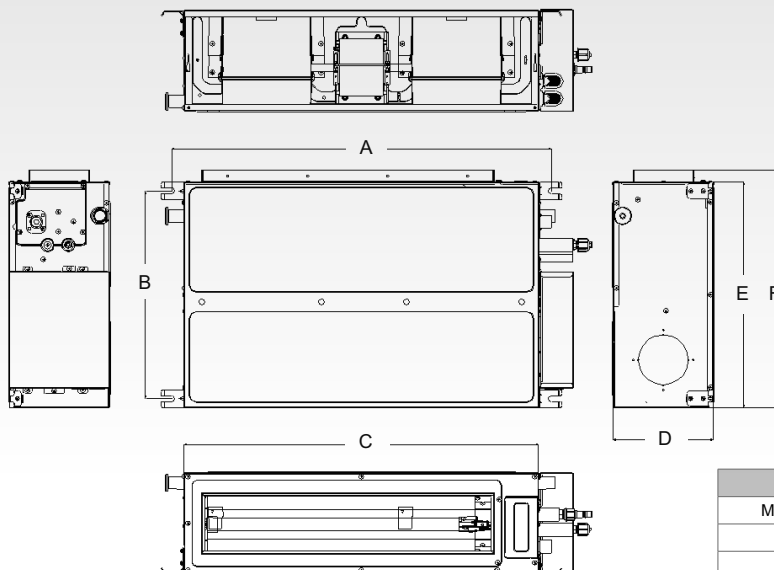
R32 (single component refrigerant HFC), GWP of refrigerant used: 675.

Contains fluorinated greenhouse gases covered by the Kyoto Protocol.

Explanatory notes on the very last page of the catalogue.

These indoor units may be combined with other indoor units from MULTI VARIABLE series, it is essential to follow combinations recommended in the combination table.

APPEARANCE AND DIMENSIONS OF INDOOR UNIT



| Model | A | B | C | D | E | F |
|--------------|------|-----|------|-----|-----|-----|
| MV-D09/12B12 | 760 | 415 | 710 | 200 | 450 | 474 |
| MV-D18B12 | 1060 | 415 | 1010 | 200 | 450 | 474 |
| MV-D24B12 | 942 | 530 | 900 | 260 | 655 | 685 |

OUTDOOR UNITS

MULTI VARIABLE SERIES

| MODEL | | | MV-E14BI2 | MV-E18BI2 | MV-E21BI2 | MV-E24BI2 | |
|---|-------------------|-----------------------------------|-------------------------------|-------------------------------|-------------------------------|-------------------------------|--|
| Qty of connectable indoor units | | | 1-2 | 1-2 | 2-3 | 2-3 | |
| Capacity cooling / heating 1) | Nominal (min-max) | kW | 4,1 (2,1-4,4) / 4,4 (2,5-5,4) | 5,3 (2,1-5,8) / 5,7 (2,6-6,0) | 6,1 (2,2-7,3) / 6,5 (3,6-8,5) | 7,1 (2,3-8,5) / 8,6 (3,7-8,8) | |
| Power supply | | Hz / V | 1~ / 50 / 220-240 | 1~ / 50 / 220-240 | 1~ / 50 / 220-240 | 1~ / 50 / 220-240 | |
| Power input cooling / heating 1) | | W | 1100 / 970 | 1480 / 1250 | 1480 / 1430 | 1880 / 2230 | |
| Maximal power input 2) | | W | 2250 | 2500 | 2900 | 3400 | |
| Power current cooling / heating | | A | 4,9 / 4,4 | 6,6 / 5,6 | 6,6 / 6,3 | 8,4 / 9,9 | |
| Maximal power current 2) | | A | 10,0 | 11,0 | 12,9 | 14,6 | |
| Energy class cooling 3) | | | - | - | - | - | |
| Air flow of OD | H | m ³ / h | 2300 | 2300 | 3800 | 3800 | |
| Sound pressure level of OD at 1m 4) | H | dB(A) | 52 | 54 | 58 | 58 | |
| Sound power of OD 4) | H | dB(A) | 62 | 64 | 68 | 68 | |
| Refrigerant type / charge | | Type / kg / t eq. CO ₂ | R32 / 0,75 / 0,51 | R32 / 0,90 / 0,60 | R32 / 1,60 / 1,08 | R32 / 1,70 / 1,14 | |
| Additional refrigerant | | g / m | 20 | 20 | 20 | 20 | |
| Pipe diameter - liquid side 5) | | qty x mm | 2 x 6,0 | 2 x 6,0 | 3 x 6,0 | 3 x 6,0 | |
| Pipe diameter - gas side 5) | | qty x mm | 2 x 9,5 | 2 x 9,5 | 3 x 9,5 | 3 x 9,5 | |
| Max pipe length without additional refrigerant 6) | | m | 10 | 10 | 30 | 30 | |
| Maximal pipe length to 1 indoor unit 9) | | m | 20 | 20 | 20 | 20 | |
| Maximal total pipe length 7) | | m | 40 | 40 | 60 | 60 | |
| Max. elevation / Drop height | | m | 15 | 15 | 15 | 15 | |
| Dimension of OD | w x h x d | mm | 822 x 550 x 352 | 822 x 550 x 352 | 964 x 660 x 402 | 964 x 660 x 402 | |
| Package dimension of OD | w x h x d | mm | 872 x 620 x 398 | 872 x 620 x 398 | 1032 x 737 x 456 | 1032 x 737 x 456 | |
| Weight of OD | netto / brutto | kg | 30,0 / 32,5 | 32,0 / 34,5 | 47,5 / 52,0 | 47,5 / 52,0 | |
| Operating temperature range (cooling 8) | Cooling | °C | -15-43 | -15-43 | -15-43 | -15-43 | |
| Operating temperature range (heating 8) | Heating | °C | -22-24 | -22-24 | -22-24 | -22-24 | |
| ADDITIONAL TECHNICAL INFORMATION | | | | | | | |
| Screw holes distance of OD | w x d | mm | 512 x 332 | 512 x 332 | 570 x 371 | 570 x 371 | |
| Communication cable | | mm ² | 4 x 1,5 | | | | |
| Recommended power cable | | mm ² | 3 x 1,5 | 3 x 1,5 | 3 x 2,5 | 3 x 2,5 | |
| Recommended air switch | | A | 13 | 13 | 16 | 16 | |
| EQUIPMENT | | | | | | | |
| Throttling method | | | EXV | EXV | EXV | EXV | |
| Bottom chassis heater | | | Heating belt | Heating belt | Heating belt | Heating belt | |
| Crankcase heater | | | ✓ | ✓ | ✓ | ✓ | |
| Bottom plugs for OD | | | ✓ | ✓ | ✓ | ✓ | |
| Drain pipe connector | | | ✓ | ✓ | ✓ | ✓ | |
| Pipe reduction | | | ✓ | ✓ | ✓ | ✓ | |

The specification of products is subject to change based on further development of the units by the producer and can be changed without prior notice. Refer to rating label.

R32 (single component refrigerant HFC), GWP of refrigerant used: 675.

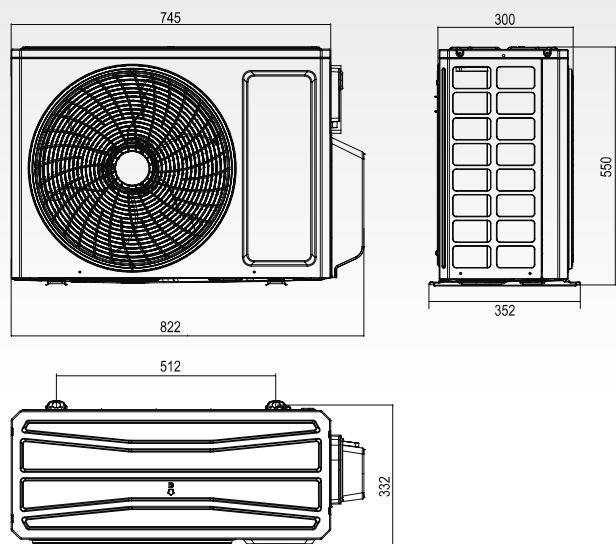
Contains fluorinated greenhouse gases covered by the Kyoto Protocol.

Explanatory notes on the very last page of the catalogue.

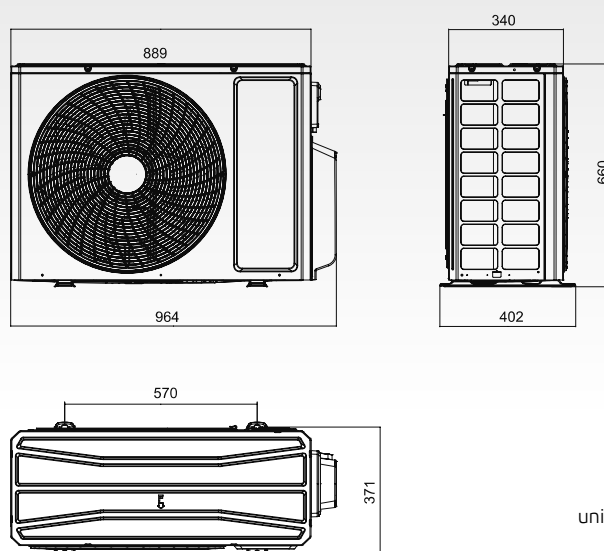
May not be used separately, must be combined with indoor units from Multi Variable (MV) series.

APPEARANCE AND DIMENSIONS OF INDOOR UNIT

MV-E14BI2, MV-E18BI2



MV-E21BI2, MV-E24BI2



units: mm

OUTDOOR UNITS

MULTI VARIABLE SERIES

| MODEL | | | MV-E28BI2 | MV-E36BI2 | MV-E42BI2 | | |
|---|-------------------|-----------------------------------|---------------------------------|-----------------------------------|-----------------------------------|--|--|
| Qty of connectable indoor units | | | 2-4 | 2-4 | 2-5 | | |
| Capacity cooling / heating 1) | Nominal (min-max) | kW | 8,0 (2,3-10,3) / 9,5 (3,7-10,3) | 10,6 (2,6-12,0) / 12,0 (3,0-14,0) | 12,1 (2,6-15,2) / 13,0 (3,0-15,5) | | |
| Power supply | | Hz / V | 1~ / 50 / 220-240 | 1~ / 50 / 220-240 | 1~ / 50 / 220-240 | | |
| Power input cooling / heating 1) | | W | 2120 / 2200 | 3000 / 3040 | 3400 / 3190 | | |
| Maximal power input 2) | | W | 3600 | 5000 | 5000 | | |
| Power current cooling / heating | | A | 9,4 / 9,8 | 13,3 / 13,5 | 15,1 / 14,2 | | |
| Maximal power current 2) | | A | 15,9 | 21,7 | 21,7 | | |
| Energy class cooling 3) | | | See table below | See table below | See table below | | |
| Air flow of OD | H | m ³ / h | 3800 | 5800 | 5800 | | |
| Sound pressure level of OD at 1m 4) | H | dB(A) | 58 | 60 | 60 | | |
| Sound power of OD 4) | H | dB(A) | 68 | 70 | 72 | | |
| Refrigerant type / charge | | Type / kg / t eq. CO ₂ | R32 / 1,80 / 1,21 | R32 / 2,40 / 1,62 | R32 / 2,40 / 1,62 | | |
| Additional refrigerant | | g / m | 20 | 20 | 20 | | |
| Pipe diameter - liquid side 5) | | qty x mm | 4 x 6,0 | 4 x 6,0 | 4 x 6,0 | | |
| Pipe diameter - gas side 5) | | qty x mm | 4 x 9,5 | 4 x 9,5 | 4 x 9,5 | | |
| Max pipe length without additional refrigerant 6) | | m | 40 | 40 | 50 | | |
| Maximal pipe length to 1 indoor unit 9) | | m | 20 | 25 | 25 | | |
| Maximal total pipe length 7) | | m | 70 | 80 | 100 | | |
| Max. elevation / Drop height | | m | 15 | 25 | 25 | | |
| Dimension of OD | w x h x d | mm | 964 x 660 x 402 | 1020 x 427 x 826 | 1020 x 427 x 826 | | |
| Package dimension of OD | w x h x d | mm | 1032 x 737 x 456 | 1093 x 497 x 885 | 1093 x 497 x 885 | | |
| Weight of OD | netto / brutto | kg | 51,0 / 55,5 | 72,0 / 79,0 | 73,0 / 80,0 | | |
| Operating temperature range (cooling 8) | Cooling | °C | -15~43 | -15~43 | -15~43 | | |
| Operating temperature range (heating 8) | Heating | °C | -22~24 | -22~24 | -22~24 | | |
| ADDITIONAL TECHNICAL INFORMATION | | | | | | | |
| Screw holes distance of OD | w x d | mm | 570 x 371 | 635 x 396 | 635 x 396 | | |
| Communication cable | | mm ² | 4 x 1,5 | 4 x 1,5 | 4 x 1,5 | | |
| Recommended power cable | | mm ² | 3 x 4,0 | 3 x 4,0 | 3 x 4,0 | | |
| Recommended air switch | | A | 20 | 30 | 30 | | |
| EQUIPMENT | | | | | | | |
| Throttling method | | | EXV | EXV | EXV | | |
| Bottom chassis heater | | | Heating belt | Heating belt | Heating belt | | |
| Crankcase heater | | | ✓ | ✓ | ✓ | | |
| Bottom plugs for OD | | | ✓ | ✓ | ✓ | | |
| Drain pipe connector | | | ✓ | ✓ | ✓ | | |
| Pipe reduction | | | ✓ | ✓ | ✓ | | |

The specification of products is subject to change based on further development of the units by the producer and can be changed without prior notice. Refer to rating label.

R32 (single component refrigerant HFC), GWP of refrigerant used: 675.

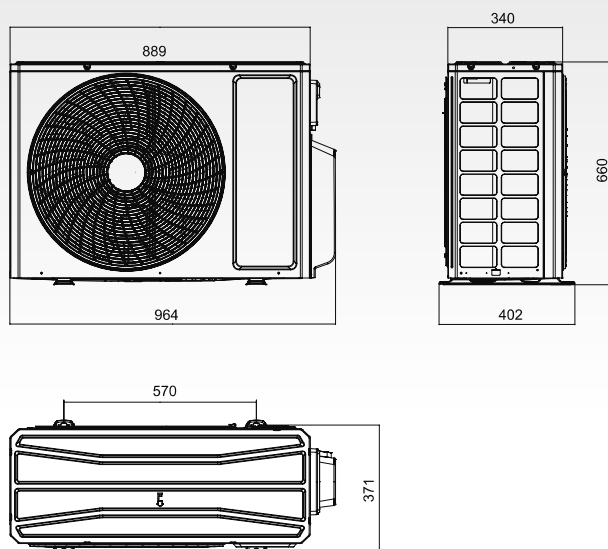
Contains fluorinated greenhouse gases covered by the Kyoto Protocol.

Explanatory notes on the very last page of the catalogue.

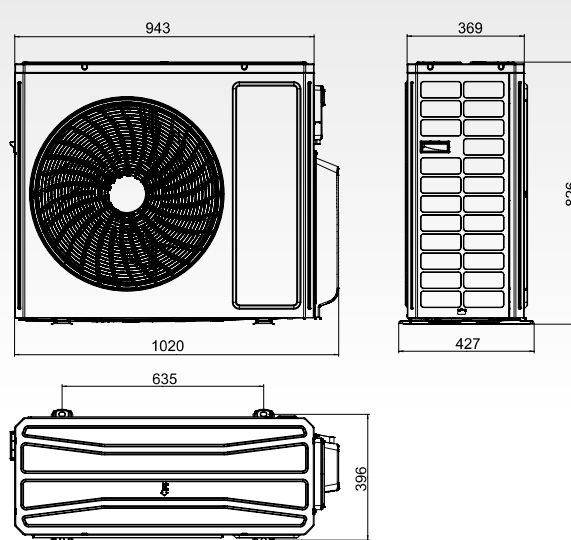
May not be used separately, must be combined with indoor units from Multi Variable (MV) series.

APPEARANCE AND DIMENSIONS OF INDOOR UNIT

MV-E28BI2



MV-E36BI2, MV-E42BI2



units: mm

OUTDOOR UNITS

MULTI VARIABLE SERIES

COMBINATION TABLES

(unit: x1000Btu/h)

| MV-E14BI2 | | MV-E21BI2 | | MV-E24BI2 | | | MV-E28BI2 |
|-----------|------------|-------------|-------------|-------------|--------------|---------------|----------------|
| 1 UNIT | 2 UNITS | 2 UNITS | 3 UNITS | 2 UNITS | 3 UNITS | | 2 UNITS |
| 7 | 7+7 | 7+7 | 7+7+7 | 7+7 | 7+7+7 | 7+7+18 | 7+7 |
| 9 | 7+12 | 7+12 | 7+7+12 | 7+12 | 9+9+12 | 7+9+18 | 7+12 |
| 12 | 7+9 | 9+9 | 7+7+9 | 9+9 | 7+7+9 | 12+12+12* | 9+9 |
| | 9+9 | 7+9 | 7+9+9 | 9+18 | 7+9+9 | 7+12+12 | 9+18 |
| | 9+12 | 7+18 | 9+9+9 | 12+18 | 7+7+12 | 9+9+18* | 12+18 |
| | | 9+12 | 7+9+12 | 7+9 | 7+9+12 | 9+12+12* | 7+9 |
| MV-E18BI2 | | | | | | | |
| 1 UNIT | 2 UNITS | 9+18 | 7+12+12 | 7+18 | 9+9+9 | | 7+18 |
| 7 | 7+7 | 12+12 | 9+9+12 | 9+12 | | | 9+12 |
| 9 | 7+12 | 12+18 | 12+12+12* | 12+12 | | | 12+12 |
| 12 | 9+12 | | | 18+18 | | | 18+18 |
| | 7+9 | | | | | | |
| | 9+9 | | | | | | |
| MV-E28BI2 | | MV-E36BI2 | | | | | |
| 3 UNITS | | 4 UNITS | 2 UNITS | | 3 UNITS | | |
| 7+7+7 | 7+12+18 | 7+7+7+7 | 7+7 | 9+24 | 7+7+7 | 7+12+18 | 9+12+18 |
| 7+7+9 | 9+9+9 | 7+7+7+9 | 7+9 | 12+12 | 7+7+9 | 7+12+24 | 9+12+24 |
| 7+7+12 | 9+9+12 | 7+7+9+9 | 7+12 | 12+18 | 7+7+12 | 7+18+18 | 9+18+18 |
| 7+7+18 | 9+9+18 | 9+9+9+9 | 7+18 | 12+24 | 7+7+18 | 7+18+24* | 9+18+24* |
| 7+9+9 | 9+12+18 | 7+7+7+12 | 7+24 | 18+18 | 7+7+24 | 9+9+9 | 12+12+12 |
| 7+9+12 | 9+12+12 | 7+7+9+12 | 9+9 | 18+24 | 7+9+9 | 9+9+12 | 12+12+18 |
| 7+9+18 | 12+12+12 | 7+9+9+9 | 9+12 | 24+24* | 7+9+12 | 9+9+18 | 12+12+24 |
| 7+12+12 | 12+12+18 | 7+7+7+18 | 9+18 | | 7+9+18 | 9+9+24 | 12+18+18 |
| | | 7+7+9+18 | | | 7+9+24 | 9+12+12 | 18+18+18* |
| | | 7+9+9+12 | | | 7+12+12 | | |
| | | 9+9+12+12 | | | | | |
| | | 7+7+12+12 | | | | | |
| | | 9+9+9+12 | | | | | |
| MV-E36BI2 | | MV-E42BI2 | | | | | |
| 4 UNITS | | 2 UNITS | | 3 UNITS | | | |
| 7+7+7+7 | 7+7+18+18* | 9+9+9+9 | 7+7 | 9+24 | 7+7+7 | 7+12+24 | 9+18+18 |
| 7+7+7+9 | 7+9+9+9 | 9+9+9+12 | 7+9 | 12+12 | 7+7+9 | 7+18+18 | 9+18+24 |
| 7+7+7+12 | 7+9+9+12 | 9+9+9+18 | 7+12 | 12+18 | 7+7+12 | 7+18+24 | 9+24+24 |
| 7+7+7+18 | 7+9+9+18 | 9+9+12+12 | 7+18 | 12+24 | 7+7+18 | 7+24+24 | 12+12+12 |
| 7+7+7+24 | 7+9+9+24* | 9+12+12+12 | 7+24 | 18+18 | 7+7+24 | 9+9+9 | 12+12+18 |
| 7+7+9+9 | 7+9+12+12 | 9+9+9+24* | 9+9 | 18+24 | 7+9+9 | 9+9+12 | 12+12+24 |
| 7+7+9+12 | 7+9+12+18 | 9+9+12+18 | 9+12 | 24+24 | 7+9+12 | 9+9+18 | 12+18+18 |
| 7+7+9+18 | 7+9+18+18* | 9+9+18+18* | 9+18 | | 7+9+18 | 9+9+24 | 12+18+24 |
| 7+7+9+24 | 7+12+12+12 | 9+12+12+18* | | | 7+9+24 | 9+12+12 | 18+18+18 |
| 7+7+12+12 | 7+12+12+18 | 12+12+12+12 | | | 7+12+12 | 9+12+18 | 12+24+24* |
| 7+7+12+18 | | | | | 7+12+18 | 9+12+24 | 18+18+24 |
| 7+7+12+24 | | | | | | | |
| MV-E42BI2 | | 4 UNITS | | 5 UNITS | | | |
| 7+7+7+7 | 7+7+18+18 | 9+9+9+12 | 7+9+18+24 | 7+7+7+7+7 | 7+7+9+9+12 | 9+9+9+9+18 | 7+9+9+12+18 |
| 7+7+7+9 | 7+9+9+9 | 9+9+9+18 | 7+12+12+24 | 7+7+7+7+9 | 7+7+9+9+18 | 9+9+9+12+12 | 7+9+9+12+24* |
| 7+7+7+12 | 7+9+9+12 | 9+9+9+24 | 7+12+18+18 | 7+7+7+7+12 | 7+7+9+12+12 | 9+9+12+12+12 | 7+9+9+18+18 |
| 7+7+7+18 | 7+9+9+18 | 9+9+12+12 | 7+12+18+24 | 7+7+7+7+18 | 7+7+9+12+18 | 9+9+12+12+18* | 7+9+12+12+18 |
| 7+7+7+24 | 7+9+9+24 | 9+9+12+18 | 7+18+18+18 | 7+7+7+7+24 | 7+7+12+12+12 | 7+7+7+12+24 | 7+12+12+12+12 |
| 7+7+9+9 | 7+9+12+12 | 9+9+12+24 | 9+9+18+24 | 7+7+7+9+9 | 7+9+9+9+9 | 7+7+7+18+18 | 7+12+12+12+18 |
| 7+7+9+12 | 7+9+12+18 | 9+9+18+18 | 9+12+12+24 | 7+7+7+9+12 | 7+9+9+9+12 | 7+7+9+9+24 | 9+9+9+9+24 |
| 7+7+9+18 | 7+9+12+24* | 9+12+12+12* | 9+12+18+18 | 7+7+7+9+18 | 7+9+9+9+18 | 7+7+9+12+24 | 9+9+9+12+18 |
| 7+7+9+24 | 7+9+18+18 | 9+12+12+18 | 9+18+18+18 | 7+7+7+9+24 | 7+9+9+12+12 | 7+7+9+18+18 | 9+9+9+18+18* |
| 7+7+12+12 | 7+12+12+12 | 12+12+12+12 | 12+12+18+18 | 7+7+7+12+12 | 7+9+12+12+12 | 7+7+12+12+18 | 9+12+12+12+12 |
| 7+7+12+18 | 7+12+12+18 | 12+12+12+18 | 12+12+12+24 | 7+7+7+12+18 | 9+9+9+9+9 | 7+7+12+18+18 | 9+12+12+12+18* |
| 7+7+12+24 | 9+9+9+9 | 7+7+18+24 | | 7+7+9+9+9 | 9+9+9+9+12 | 7+9+9+9+24 | 12+12+12+12+12 |

*This combinations of indoor units capacities exceed 130% of maximum capacity of the outdoor unit.

OUTDOOR UNITS

MULTI VARIABLE SERIES

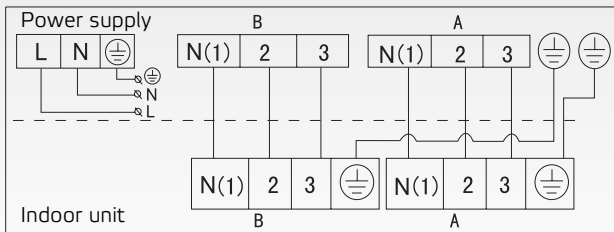
ENERGY CLASS INFORMATION

| COOLING | | | | | |
|-------------------------|---|--------------|----------------------|------|----------------------------------|
| Outdoor unit | Indoor unit | Energy class | Pdesign cooling (kW) | SEER | Annual power consumption (kWh/a) |
| MV-E14BI2 | 2x SIH-09BIT | A++ | 4,1 | 7,2 | 199 |
| MV-E18BI2 | 2x SIH-09BIT | A++ | 5,3 | 6,6 | 281 |
| MV-E21BI2 | 3x SIH-09BIT | A++ | 6,1 | 7,8 | 273 |
| MV-E24BI2 | 3x SIH-09BIT | A++ | 7,1 | 7,1 | 350 |
| MV-E28BI2 | 4x SIH-09BIT | A++ | 8,0 | 7,2 | 388 |
| MV-E36BI2 | 4x ASH-09BIS/W | A++ | 10,6 | 7,2 | 515 |
| MV-E42BI2 | not available for units with rated capacity >12kW | | | | |
| HEATING-AVERAGE CLIMATE | | | | | |
| Outdoor unit | Indoor unit | Energy class | Pdesign heating (kW) | SCOP | Annual power consumption (kWh/a) |
| MV-E14BI2 | 2x SIH-09BIT | A+ | 3,8 | 4,2 | 1266 |
| MV-E18BI2 | 2x SIH-09BIT | A+ | 4,3 | 4,0 | 1505 |
| MV-E21BI2 | 3x SIH-09BIT | A+ | 6,1 | 4,3 | 1986 |
| MV-E24BI2 | 3x SIH-09BIT | A+ | 6,1 | 4,3 | 1986 |
| MV-E28BI2 | 4x SIH-09BIT | A+ | 7,2 | 4,2 | 2400 |
| MV-E36BI2 | 4x ASH-09BIS/W | A+ | 10,5 | 4,0 | 3675 |
| MV-E42BI2 | not available for units with rated capacity >12kW | | | | |

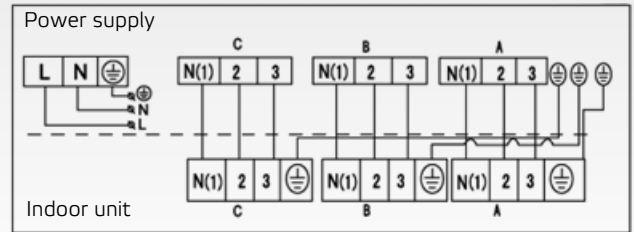
ELECTRICAL WIRING DIAGRAM

MULTI VARIABLE SERIES

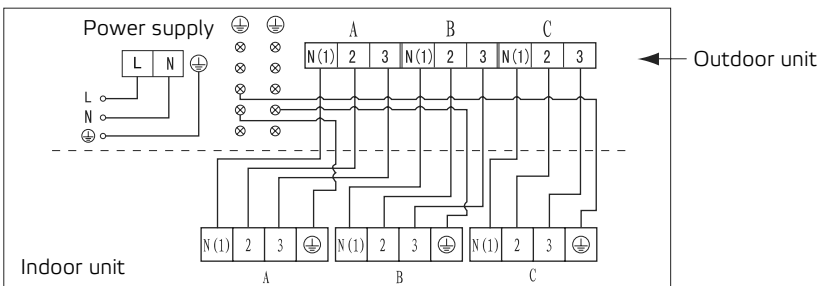
MV-E14BI2, MV-E18BI2



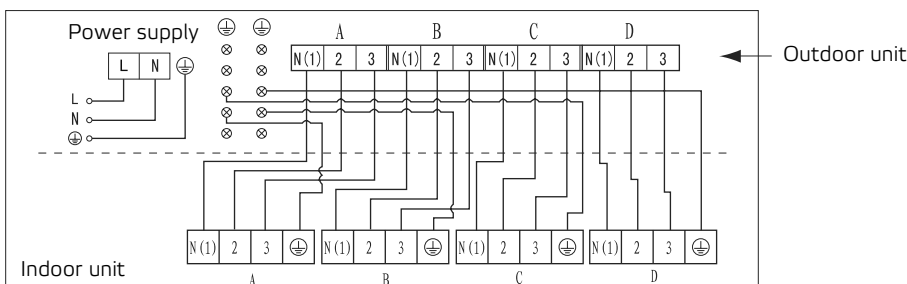
MV-E21BI2



MV-E24BI2



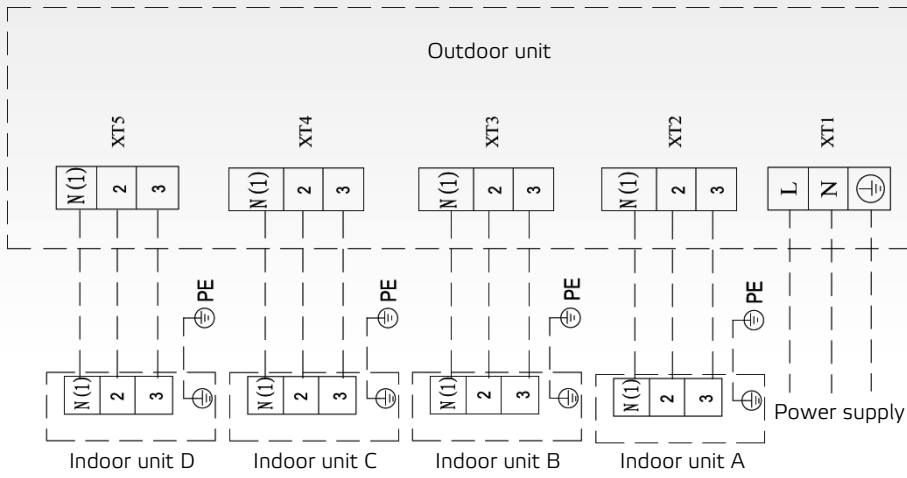
MV-E28BI2



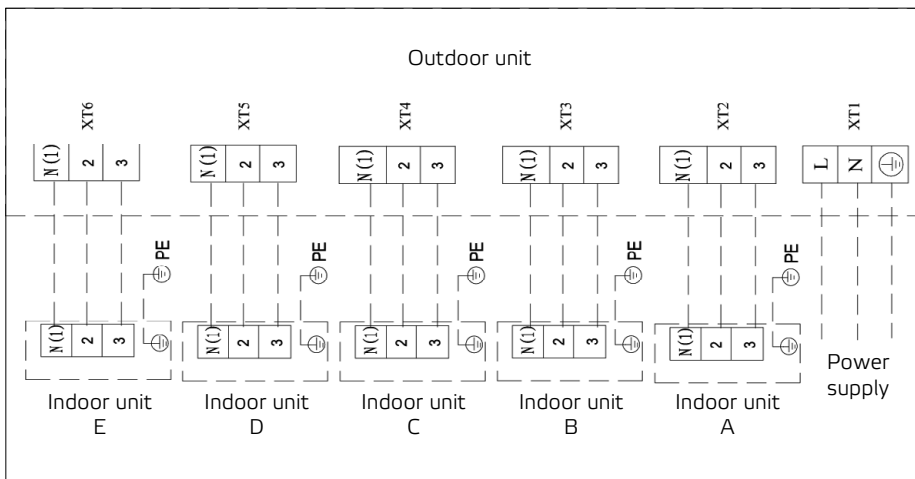
ELECTRICAL WIRING DIAGRAM

MULTI VARIABLE SERIES

MV-E36BI2



MV-E42BI2



OUTDOOR UNITS

UNI SPLIT SERIES

| MODEL | | | ASGE-12BI | ASGE-18BI | ASGE-24BI | ASGE-30BI | ASGE-36BI |
|---|-------------------|-----------------------------------|-------------------|-------------------|-------------------|-------------------|-------------------|
| Capacity cooling / heating 1) | Nominal (min-max) | kW | 3,5 / 4,0 | 5,0 / 5,5 | 7,0 / 8,0 | 8,5 / 8,8 | 10,0 / 12,0 |
| Power supply | | Hz / V | 1~ / 50 / 220-240 | 1~ / 50 / 220-240 | 1~ / 50 / 220-240 | 1~ / 50 / 220-240 | 1~ / 50 / 220-240 |
| Power input cooling / heating 1) | | W | 950 / 1050 | 1550 / 1450 | 2100 / 2450 | 2800 / 2650 | 3300 / 3600 |
| Maximal power input 2) | | W | 1350 | 1750 | 3500 | 3950 | 4050 |
| Power current cooling / heating | | A | 4,2 / 4,7 | 6,5 / 6,9 | 8,8 / 10,5 | 12,7 / 11,7 | 14,5 / 15,9 |
| Maximal power current 2) | | A | 6,0 | 8,0 | 16,0 | 18,0 | 18,5 |
| Air flow of OD | H | m ³ / h | 3000 | 3000 | 3600 | 4000 | 5900 |
| Sound pressure of OD at 1m 4) | H | dB(A) | 50 | 50 | 52 | 53 | 55 |
| Sound power of OD 4) | H | dB(A) | 64 | 65 | 67 | 69 | 70 |
| Refrigerant type / charge | | Type / kg / t eq. CO ₂ | R32 / 0,78 / 0,53 | R32 / 1,00 / 0,68 | R32 / 1,60 / 1,08 | R32 / 1,80 / 1,22 | R32 / 2,50 / 1,69 |
| Additional refrigerant | | g / m | 16 | 16 | 40 | 40 | 40 |
| Pipe diameter - liquid side 5) | | inch / mm | ¼ / 6,4 | ¼ / 6,4 | ¾ / 9,5 | ¾ / 9,5 | ¾ / 9,5 |
| Pipe diameter - gas side 5) | | inch / mm | ¾ / 9,5 | ½ / 12,7 | ¾ / 15,9 | ¾ / 15,9 | ¾ / 15,9 |
| Max pipe length without additional refrigerant 6) | | m | 5 | 5 | 5 | 5 | 5 |
| Maximal allowed pipe length 7) | | m | 3 / 30 | 3 / 35 | 3 / 50 | 3 / 50 | 3 / 65 |
| Max. elevation / Drop height | | m | 15 | 20 | 25 | 25 | 30 |
| Dimension of OD | w × h × d | mm | 818 × 596 × 378 | 818 × 596 × 378 | 892 × 698 × 396 | 920 × 790 × 427 | 940 × 820 × 530 |
| Package dimension of OD | w × h × d | mm | 948 × 645 × 420 | 948 × 645 × 420 | 1029 × 750 × 458 | 1083 × 855 × 488 | 1073 × 868 × 563 |
| Weight of OD | netto / brutto | kg | 37,0 / 40,0 | 39,0 / 42,0 | 53,0 / 57,0 | 60,0 / 65,0 | 83,0 / 95,0 |
| Operating temperature range cooling 8) | | °C | -20-48 | -20-48 | -20-48 | -20-48 | -20-48 |
| Operating temperature range heating 8) | | °C | -20-24 | -20-24 | -20-24 | -20-24 | -20-24 |
| ADDITIONAL TECHNICAL INFORMATION | | | | | | | |
| Screw holes distance of OD | w × d | mm | 550 × 348 | 550 × 348 | 560 × 364 | 610 × 395 | 610 × 486 |
| Communication cable | | mm ² | 2 × 0,75 | 2 × 0,75 | 2 × 0,75 | 2 × 0,75 | 2 × 0,75 |
| Recommended power cable | | mm ² | 3 × 1,5 | 3 × 2,5 | 3 × 2,5 | 3 × 4,0 | 3 × 4,0 |
| Recommended air switch | | A | 13 | 16 | 16 | 20 | 25 |
| EQUIPMENT | | | | | | | |
| Throttling method | | | EXV | EXV | EXV | EXV | EXV |
| Bottom chassis heater | | | - | - | - | - | - |
| Crankcase heater | | | Preheating | Preheating | Preheating | Preheating | Heating belt |
| Bottom plugs for OD | | | ✓ | ✓ | ✓ | ✓ | ✓ |
| Drain pipe connector | | | ✓ | ✓ | ✓ | ✓ | ✓ |
| OPTIONAL ACCESSORIES | | | | | | | |
| Communication module | | | SCMI-01.4 | SCMI-01.4 | SCMI-01.4 | SCMI-01.4 | SCMI-01.4 |

The specification of products is subject to change based on further development of the units by the producer and can be changed without prior notice. Refer to rating label.

R32 (single component refrigerant HFC), GWP of refrigerant used: 675.

Contains fluorinated greenhouse gases covered by the Kyoto Protocol.

Explanatory notes on the very last page of the catalogue.

It is necessary to combine with an appropriate indoor unit from UNI SPLIT series (ASC-xxBI, ASD-xxBI, ASF-xxBI).

OUTDOOR UNITS

UNI SPLIT SERIES

| MODEL | | | ASGE-36BI-3 | ASGE-42BI-3 | ASGE-48BI-3 | ASGE-60BI-3 |
|---|-------------------|-----------------------------------|-------------------|-------------------|-------------------|-------------------|
| Capacity cooling / heating 1) | Nominal (min-max) | kW | 10,0 / 12,0 | 12,1 / 13,5 | 13,4 / 15,5 | 16,0 / 17,0 |
| Power supply | | Hz / V | 3~ / 50 / 380-415 | 3~ / 50 / 380-415 | 3~ / 50 / 380-415 | 3~ / 50 / 380-415 |
| Power input cooling / heating 1) | | W | 3300 / 3500 | 4050 / 4150 | 4700 / 4450 | 5450 / 5400 |
| Maximal power input 2) | | W | 4650 | 5300 | 5950 | 5950 |
| Power current cooling / heating | | A | 5,1 / 5,6 | 5,9 / 6,1 | 7,2 / 6,7 | 7,7 / 7,6 |
| Maximal power current 2) | | A | 7 | 8 | 9 | 9 |
| Air flow of OD | H | m ³ / h | 5900 | 5900 | 5900 | 6600 |
| Sound pressure of OD at 1m 4) | H | dB(A) | 55 | 56 | 57 | 57 |
| Sound power of OD 4) | H | dB(A) | 70 | 71 | 72 | 72 |
| Refrigerant type / charge | | Type / kg / t eq. CO ₂ | R32 / 2,50 / 1,69 | R32 / 2,65 / 1,79 | R32 / 2,80 / 1,89 | R32 / 3,60 / 2,43 |
| Additional refrigerant | | g / m | 40 | 40 | 40 | 40 |
| Pipe diameter - liquid side 5) | | inch / mm | 3/8 / 9,5 | 3/8 / 9,5 | 3/8 / 9,5 | 3/8 / 9,5 |
| Pipe diameter - gas side 5) | | inch / mm | 5/8 / 15,9 | 5/8 / 15,9 | 5/8 / 15,9 | 5/8 / 15,9 |
| Max pipe length without additional refrigerant 6) | | m | 5 | 5 | 7,5 | 7,5 |
| Maximal allowed pipe length 7) | | m | 3 / 65 | 3 / 75 | 3 / 75 | 3 / 75 |
| Max. elevation / Drop height | | m | 30 | 30 | 30 | 30 |
| Dimension of OD | w × h × d | mm | 940 × 820 × 530 | 940 × 820 × 530 | 940 × 820 × 530 | 900 × 1345 × 412 |
| Package dimension of OD | w × h × d | mm | 1073 × 868 × 563 | 1073 × 868 × 563 | 1073 × 868 × 563 | 1033 × 1395 × 443 |
| Weight of OD | netto / brutto | kg | 89,0 / 101,0 | 95,0 / 107,0 | 99,0 / 111,0 | 112,0 / 122,0 |
| Operating temperature range cooling 8) | | °C | -20~48 | -20~48 | -20~48 | -20~48 |
| Operating temperature range heating 8) | | °C | -20~24 | -20~24 | -20~24 | -20~24 |
| ADDITIONAL TECHNICAL INFORMATION | | | | | | |
| Screw holes distance of OD | w × d | mm | 610 × 486 | 610 × 486 | 610 × 486 | 572 × 378 |
| Communication cable | | mm ² | 2 × 0,75 | 2 × 0,75 | 2 × 0,75 | 2 × 0,75 |
| Recommended power cable | | mm ² | 5 × 2,5 | 5 × 2,5 | 5 × 2,5 | 5 × 2,5 |
| Recommended air switch | | A | 16 | 16 | 16 | 16 |
| EQUIPMENT | | | | | | |
| Throttling method | | | EXV | EXV | EXV | EXV |
| Bottom chassis heater | | | - | - | - | - |
| Crankcase heater | | | Heating belt | Heating belt | Heating belt | Heating belt |
| Bottom plugs for OD | | | ✓ | ✓ | ✓ | ✓ |
| Drain pipe connector | | | ✓ | ✓ | ✓ | ✓ |
| OPTIONAL ACCESSORIES | | | | | | |
| Communication module | | | SCMI-01.4 | SCMI-01.4 | SCMI-01.4 | SCMI-01.4 |

The specification of products is subject to change based on further development of the units by the producer and can be changed without prior notice. Refer to rating label.

R32 (single component refrigerant HFC), GWP of refrigerant used: 675.

Contains fluorinated greenhouse gases covered by the Kyoto Protocol.

Explanatory notes on the very last page of the catalogue.

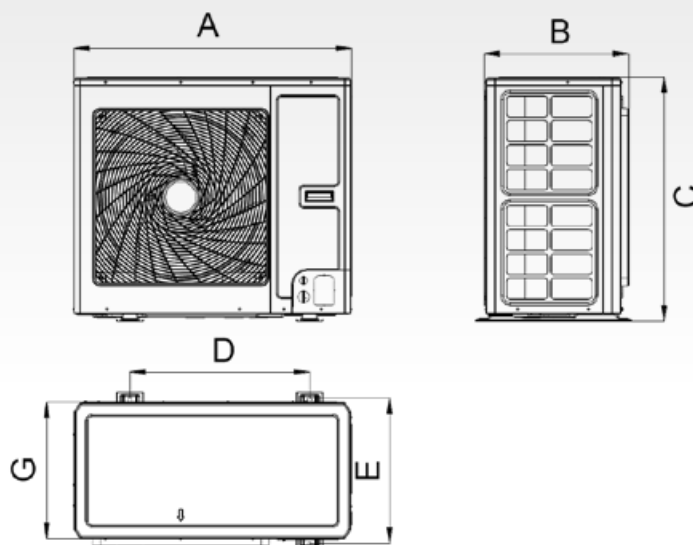
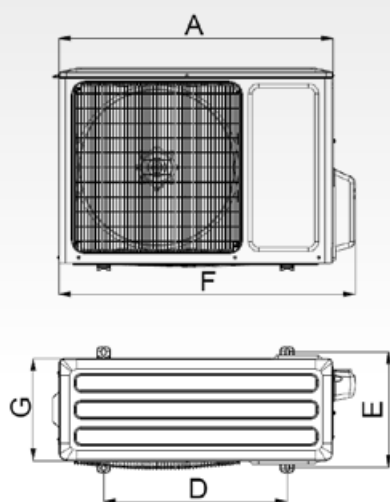
It is necessary to combine with an appropriate indoor unit from UNI SPLIT series (ASC-xxBI, ASD-xxBI, ASF-xxBI).

APPEARANCE AND DIMENSIONS OF OUTDOOR UNIT

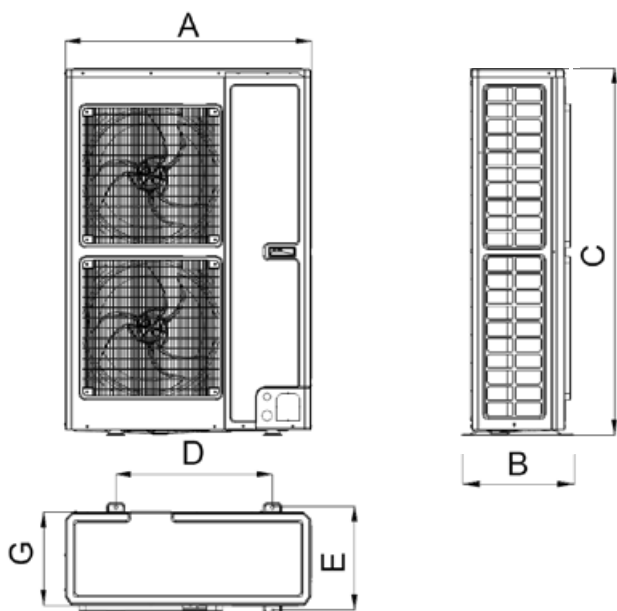
UNI SPLIT SERIES

ASGE-12BI, ASGE-18BI, ASGE-24BI, ASGE-30BI

ASGE-36BI, ASGE-36BI-3, ASGE-42BI-3, ASGE-48BI-3



ASGE-60BI-3



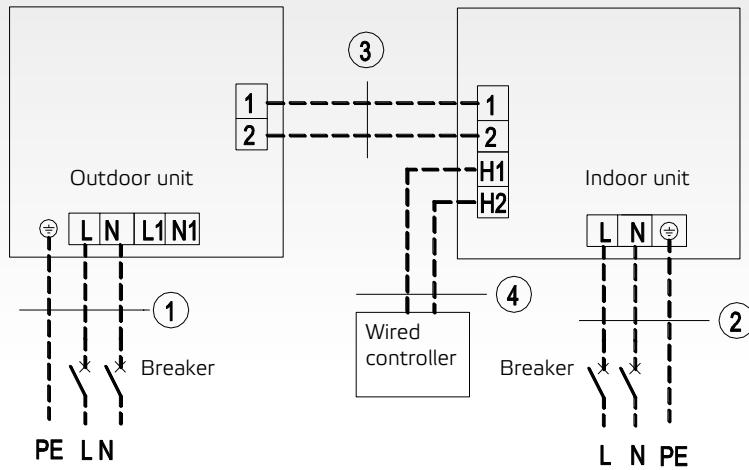
| Dimensions Model | A | B | C | D | E | F | G |
|---------------------|-----|-----|------|-----|-----|------|-----|
| ASGE-12BI | 818 | 378 | 596 | 550 | 348 | 887 | 302 |
| ASGE-18BI | 818 | 378 | 596 | 550 | 348 | 887 | 302 |
| ASGE-24BI | 892 | 396 | 698 | 560 | 364 | 952 | 340 |
| ASGE-30BI | 920 | 427 | 790 | 610 | 395 | 1002 | 370 |
| ASGE-36BI | 940 | 530 | 820 | 610 | 486 | / | 460 |
| ASGE-36BI-3 | 940 | 530 | 820 | 610 | 486 | / | 460 |
| ASGE-42BI-3 | 940 | 530 | 820 | 610 | 486 | / | 460 |
| ASGE-48BI-3 | 940 | 530 | 820 | 610 | 486 | / | 460 |
| ASGE-60BI-3 | 900 | 412 | 1345 | 572 | 378 | / | 340 |

units: mm

ELECTRICAL WIRING DIAGRAM

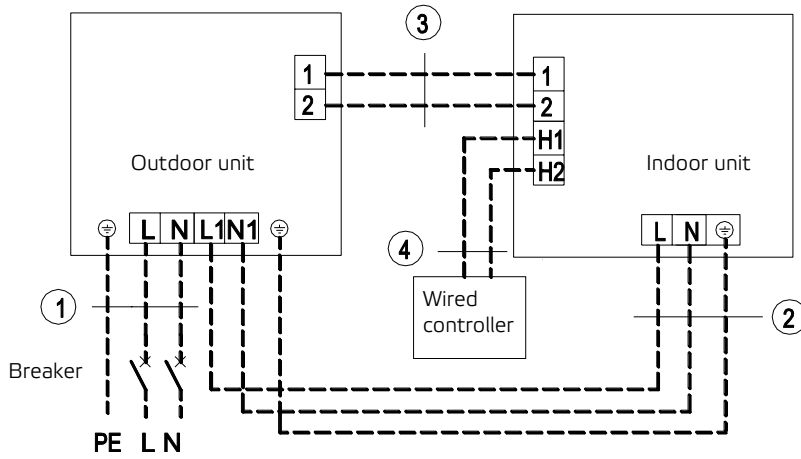
UNI SPLIT SERIES

ASGE-12BI, ASGE-18BI, ASGE-24BI, ASGE-30BI



Power : 220–240 V~, 50 Hz / 208–230 V~, 60 Hz

Power : 220–240 V~, 50 Hz / 208–230 V~, 60 Hz



Power : 220–240 V~, 50 Hz / 208–230 V~, 60 Hz

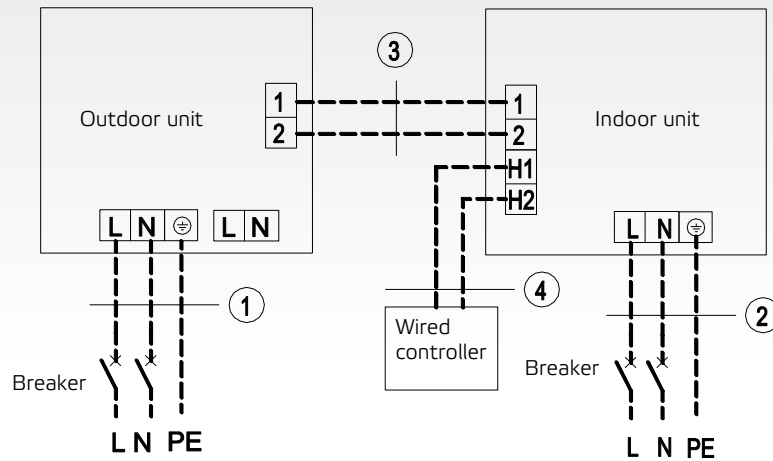
Power : 220–240 V~, 50 Hz / 208–230 V~, 60 Hz

1 Outdoor unit power supply **2** Indoor unit power supply **3** Communication cable **4** Communication cable

ELECTRICAL WIRING DIAGRAM

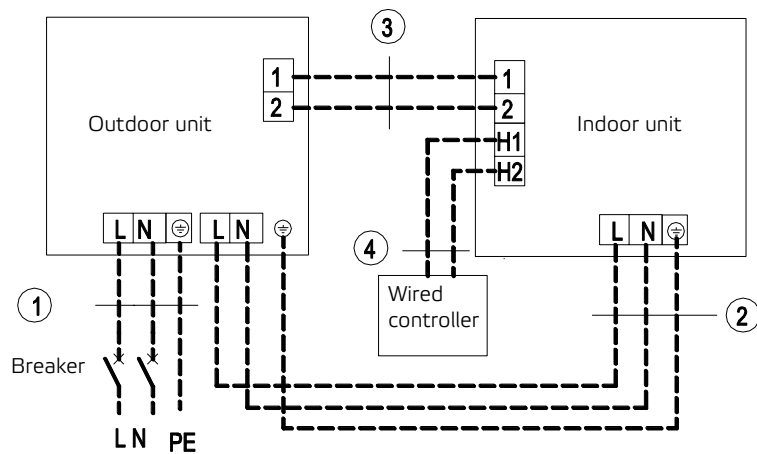
UNI SPLIT SERIES

ASGE-36BI



Power : 220–240 V~, 50 Hz / 208–230 V~, 60 Hz

Power : 220–240 V~, 50 Hz / 208–230 V~, 60 Hz



Power : 220–240 V~, 50 Hz / 208–230 V~, 60 Hz

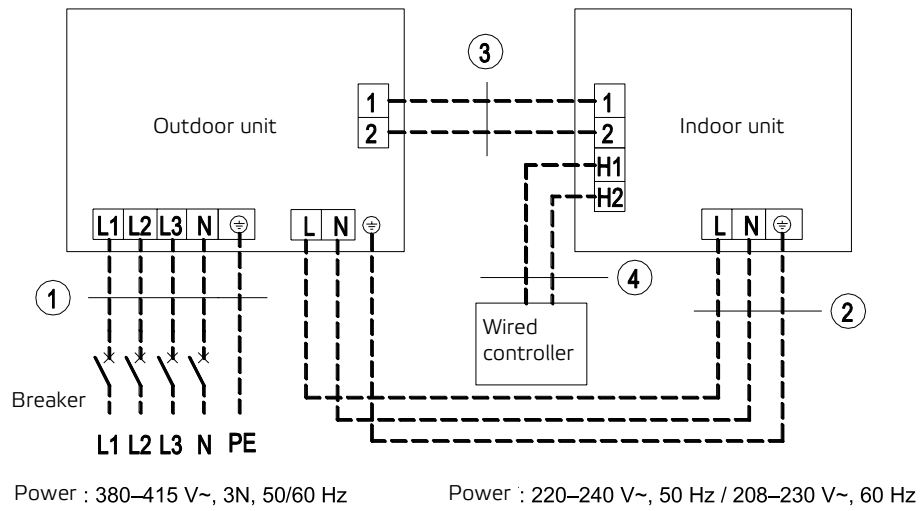
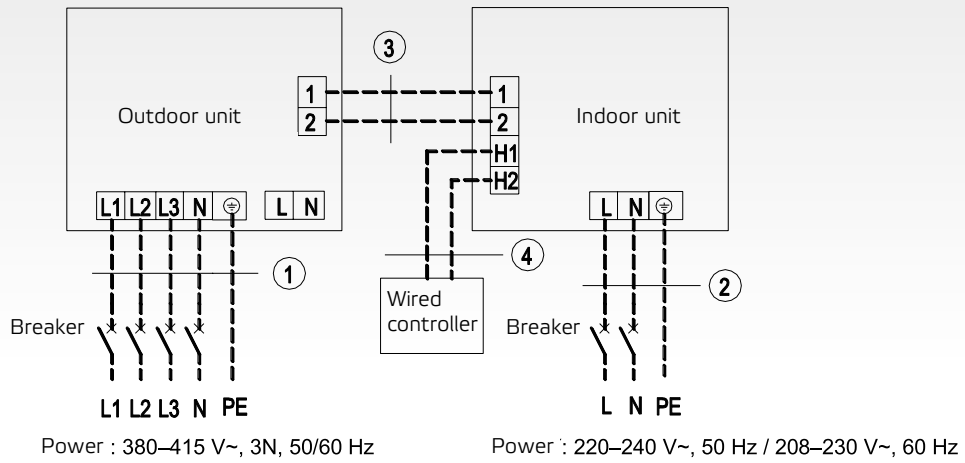
Power : 220–240 V~, 50 Hz / 208–230 V~, 60 Hz

1 Outdoor unit power supply **2** Indoor unit power supply **3** Communication cable **4** Communication cable

ELECTRICAL WIRING DIAGRAM

UNI SPLIT SERIES

ASGE-36BI-3, ASGE-42BI-3, ASGE-48BI-3, ASGE-60BI-3



1 Outdoor unit power supply 2 Indoor unit power supply 3 Communication cable 4 Communication cable

4-WAY CASSETTE INDOOR UNITS

UNI SPLIT SERIES

| MODEL | | | ASC-12BI / ASGE-12BI | ASC-18BI / ASGE-18BI | ASC-24BI / ASGE-24BI | ASC-30BI / ASGE-30BI | ASC-36BI / ASGE-36BI |
|---|-----------------|--------------------|-------------------------------|-------------------------------|-------------------------------|-------------------------------|-----------------------------------|
| Capacity cooling / heating 1) | Nominal | kW | 3,5 (0,4-3,7) / 4,0 (0,8-4,1) | 5,0 (0,6-5,3) / 5,5 (1,2-5,7) | 7,0 (0,8-7,3) / 8,0 (1,6-8,4) | 8,5 (1,0-8,9) / 8,8 (2,0-9,1) | 10,0 (1,2-10,6) / 12,0 (2,6-12,4) |
| Power supply | | Hz / V | 1~ / 50 / 220-240 | 1~ / 50 / 220-240 | 1~ / 50 / 220-240 | 1~ / 50 / 220-240 | 1~ / 50 / 220-240 |
| Energy class cooling 3) | | | A+ | A+ | A++ | A++ | A++ |
| Pdesign cooling | | kW | 3,5 | 5,0 | 7,0 | 8,5 | 10,0 |
| SEER | | | 5,9 | 5,9 | 7,2 | 6,1 | 6,1 |
| Annual power consumption | | kWh / annum | 213 | 296 | 340 | 472 | 566 |
| Energy class heating 3) | Average climate | | A+ | A+ | A | A+ | A+ |
| Pdesign heating | Average climate | kW | 3,1 | 4,0 | 6,4 | 7,2 | 9,0 |
| SCOP | Average climate | | 4,0 | 4,0 | 3,9 | 4,0 | 4,0 |
| Annual power consumption | Average climate | kWh / annum | 1069 | 1405 | 2297 | 2616 | 3139 |
| Air flow of ID | SH/H/M/L | m ³ / h | 650/580/480/400 | 700/580/480/400 | 1100/1050/960/870 | 1400/1310/1180/1040 | 1500/1470/1380/1220 |
| Sound pressure of ID at 1,4m 4) | SH/H/M/L | dB(A) | 39/36/33 | 44/39/36/33 | 43/42/40/39 | 49/47/44/41 | 50/48/46/42 |
| Sound power of ID 4) | H | dB(A) | 57 | 53 | 52 | 58 | 59 |
| Refrigerant type | | Type | R32 | R32 | R32 | R32 | R32 |
| Pipe diameter - liquid side 5) | | inch / mm | ¼ / 6,4 | ¼ / 6,4 | ¾ / 9,5 | ¾ / 9,5 | ¾ / 9,5 |
| Pipe diameter - gas side 5) | | inch / mm | ¾ / 9,5 | ½ / 12,7 | ¾ / 15,9 | ¾ / 15,9 | ¾ / 15,9 |
| Dimension of ID | w × h × d | mm | 570 × 265 × 570 | 570 × 265 × 570 | 840 × 240 × 840 | 840 × 240 × 840 | 840 × 240 × 840 |
| Dimension of panel | w × h × d | mm | 620 × 47,5 × 620 | 620 × 47,5 × 620 | 950 × 52 × 950 | 950 × 52 × 950 | 950 × 52 × 950 |
| Package dimension of ID | w × h × d | mm | 698 × 295 × 653 | 698 × 295 × 653 | 963 × 325 × 963 | 963 × 325 × 963 | 963 × 325 × 963 |
| Package dimension of panel | w × h × d | mm | 701 × 125 × 701 | 701 × 125 × 701 | 1033 × 112 × 1038 | 1033 × 112 × 1038 | 1033 × 112 × 1038 |
| Weight of ID | netto / brutto | kg | 17,0 / 22,0 | 17,0 / 22,0 | 29,0 / 36,0 | 29,0 / 36,0 | 31,0 / 38,0 |
| Weight of panel | netto / brutto | kg | 3,0 / 4,5 | 3,0 / 4,5 | 6,0 / 9,5 | 6,0 / 9,5 | 6,0 / 9,5 |
| Set temperature range | | °C | 16-30 | 16-30 | 16-30 | 16-30 | 16-30 |
| ADDITIONAL TECHNICAL INFORMATION | | | | | | | |
| Screw holes distance | w × d | mm | 520 × 560 | 520 × 560 | 660 × 790 | 660 × 790 | 660 × 790 |
| Communication cable | | mm ² | 2 × 0,75 | 2 × 0,75 | 2 × 0,75 | 2 × 0,75 | 2 × 0,75 |
| Recommended power cable | | mm ² | 3 × 1,5 | 3 × 1,5 | 3 × 1,5 | 3 × 1,5 | 3 × 1,5 |
| Recommended air switch | | A | 6 | 6 | 6 | 6 | 6 |
| EQUIPMENT | | | | | | | |
| Plasma generator | | | - | - | - | - | - |
| WiFi module | | | | | optional (SWM-03) | | |
| Drain pump | | | ✓ | ✓ | ✓ | ✓ | ✓ |
| Max. lift (from bottom of ID unit) | | mm | 1000 | 1000 | 1000 | 1000 | 1000 |
| Door contact (SCC-36K connector) | | | ✓ | ✓ | ✓ | ✓ | ✓ |
| Alarm contact | | | - | - | - | - | - |
| Fresh air inlet | | | ✓ | ✓ | ✓ | ✓ | ✓ |
| Decorative panel | | | ✓ | ✓ | ✓ | ✓ | ✓ |
| STANDARD ACCESSORIES | | | | | | | |
| Standard health filter | | | - | - | - | - | - |
| Remote controller (IR) | | | YAP1F6 | YAP1F6 | YAP1F6 | YAP1F6 | YAP1F6 |
| Wired controller | | | XK117 | XK117 | XK117 | XK117 | XK117 |
| OPTIONAL ACCESSORIES | | | | | | | |
| Optional health filters | | | - | - | - | - | - |
| Wired controller with weekly timer | | | SWC-03, SWC-03U | SWC-03, SWC-03U | SWC-03, SWC-03U | SWC-03, SWC-03U | SWC-03, SWC-03U |
| Central controller | | | SCC-36 | SCC-36 | SCC-36 | SCC-36 | SCC-36 |
| MODBUS gateway | | | SMG-01 | SMG-01 | SMG-01 | SMG-01 | SMG-01 |
| BACNET gateway | | | SBG-01 | SBG-01 | SBG-01 | SBG-01 | SBG-01 |
| Dry contact gateway | | | SDG-01 | SDG-01 | SDG-01 | SDG-01 | SDG-01 |

The specification of products is subject to change based on further development of the units by the producer and can be changed without prior notice. Refer to rating label.

R32 (single component refrigerant HFC), GWP of refrigerant used: 675.

Contains fluorinated greenhouse gases covered by the Kyoto Protocol.

Explanatory notes on the very last page of the catalogue.

It is necessary to combine with an appropriate outdoor unit from UNI SPLIT series (ASGE-xxBI, ASGE-xxBI-3).

4-WAY CASSETTE INDOOR UNITS

UNI SPLIT SERIES

| MODEL | | | ASC-36BI / ASGE-36BI-3 | ASC-42BI / ASGE-42BI-3 | ASC-48BI / ASGE-48BI-3 | ASC-60BI / ASGE-60BI-3 |
|---|-----------------|--------------------|-----------------------------------|-----------------------------------|-----------------------------------|-----------------------------------|
| Capacity cooling / heating 1) | Nominal | kW | 10,0 (1,2-10,6) / 12,0 (2,6-12,4) | 12,1 (1,5-12,7) / 13,5 (3,1-14,0) | 13,4 (1,7-14,1) / 15,5 (3,2-16,0) | 16,0 (2,0-15,2) / 17,0 (3,5-17,6) |
| Power supply | | Hz / V | 1~ / 50 / 220-240 | 1~ / 50 / 220-240 | 1~ / 50 / 220-240 | 1~ / 50 / 220-240 |
| Energy class cooling 3) | | | A++ | A++ | A++ | A++ |
| Pdesign cooling | | kW | 10,0 | - | - | - |
| SEER | | | 6,1 | 6,1 | 6,1 | 6,1 |
| Annual power consumption | | kWh / annum | 533 | - | - | - |
| Energy class heating 3) | Average climate | | A+ | A | A+ | A |
| Pdesign heating | Average climate | kW | 9,0 | - | - | - |
| SCOP | Average climate | | 4,0 | 3,8 | 4,0 | 3,8 |
| Annual power consumption | Average climate | kWh / annum | 3168 | - | - | - |
| Air flow of ID | SH/H/M/L | m ³ / h | 1500/1470/1380/1220 | 1800/1690/1470/1260 | 1900/1690/1480/1140 | 2000/1880/1620/1430 |
| Sound pressure of ID at 1,4m 4) | SH/H/M/L | dB(A) | 50/48/46/42 | 51/49/46/42 | 52/51/48/45 | 54/52/50/48 |
| Sound power of ID 4) | H | dB(A) | 59 | 60 | 61 | 63 |
| Refrigerant type | | Type | R32 | R32 | R32 | R32 |
| Pipe diameter - liquid side 5) | | inch / mm | 3/8 / 9,5 | 3/8 / 9,5 | 3/8 / 9,5 | 3/8 / 9,5 |
| Pipe diameter - gas side 5) | | inch / mm | 1/2 / 15,9 | 1/2 / 15,9 | 1/2 / 15,9 | 1/2 / 15,9 |
| Dimension of ID | w × h × d | mm | 840 × 240 × 840 | 840 × 290 × 840 | 840 × 290 × 840 | 840 × 290 × 840 |
| Dimension of panel | w × h × d | mm | 950 × 52 × 950 | 950 × 52 × 950 | 950 × 52 × 950 | 950 × 52 × 950 |
| Package dimension of ID | w × h × d | mm | 963 × 325 × 963 | 963 × 325 × 963 | 963 × 325 × 963 | 963 × 325 × 963 |
| Package dimension of panel | w × h × d | mm | 1033 × 112 × 1038 | 1033 × 112 × 1038 | 1033 × 112 × 1038 | 1033 × 112 × 1038 |
| Weight of ID | netto / brutto | kg | 31,0 / 38,0 | 33,0 / 41,0 | 36,0 / 44,0 | 36,0 / 44,0 |
| Weight of panel | netto / brutto | kg | 6,0 / 9,5 | 6,0 / 9,5 | 6,0 / 9,5 | 6,0 / 9,5 |
| Set temperature range | | °C | 16-30 | 16-30 | 16-30 | 16-30 |
| ADDITIONAL TECHNICAL INFORMATION | | | | | | |
| Screw holes distance | w × d | mm | 660 × 790 | 660 × 790 | 660 × 790 | 660 × 790 |
| Communication cable | | mm ² | 2 × 0,75 | 2 × 0,75 | 2 × 0,75 | 2 × 0,75 |
| Recommended power cable | | mm ² | 3 × 1,5 | 3 × 1,5 | 3 × 1,5 | 3 × 1,5 |
| Recommended air switch | | A | 6 | 6 | 6 | 6 |
| EQUIPMENT | | | | | | |
| Plasma generator | | | - | - | - | - |
| WiFi module | | | | optional (SWM-03) | | |
| Drain pump | | | ✓ | ✓ | ✓ | ✓ |
| Max. lift (from bottom of ID unit) | | mm | 1000 | 1000 | 1000 | 1000 |
| Door contact (SCC-36K connector) | | | ✓ | ✓ | ✓ | ✓ |
| Alarm contact | | | - | - | - | - |
| Fresh air inlet | | | ✓ | ✓ | ✓ | ✓ |
| Decorative panel | | | ✓ | ✓ | ✓ | ✓ |
| STANDARD ACCESSORIES | | | | | | |
| Standard health filter | | | - | - | - | - |
| Remote controller (IR) | | | YAP1F6 | YAP1F6 | YAP1F6 | YAP1F6 |
| Wired controller | | | XK117 | XK117 | XK117 | XK117 |
| OPTIONAL ACCESSORIES | | | | | | |
| Optional health filters | | | - | - | - | - |
| Wired controller with weekly timer | | | SWC-03, SWC-03U | SWC-03, SWC-03U | SWC-03, SWC-03U | SWC-03, SWC-03U |
| Central controller | | | SCC-36 | SCC-36 | SCC-36 | SCC-36 |
| MODBUS gateway | | | SMG-01 | SMG-01 | SMG-01 | SMG-01 |
| BACNET gateway | | | SBG-01 | SBG-01 | SBG-01 | SBG-01 |
| Dry contact gateway | | | SDG-01 | SDG-01 | SDG-01 | SDG-01 |

The specification of products is subject to change based on further development of the units by the producer and can be changed without prior notice. Refer to rating label.

R32 (single component refrigerant HFC), GWP of refrigerant used: 675.

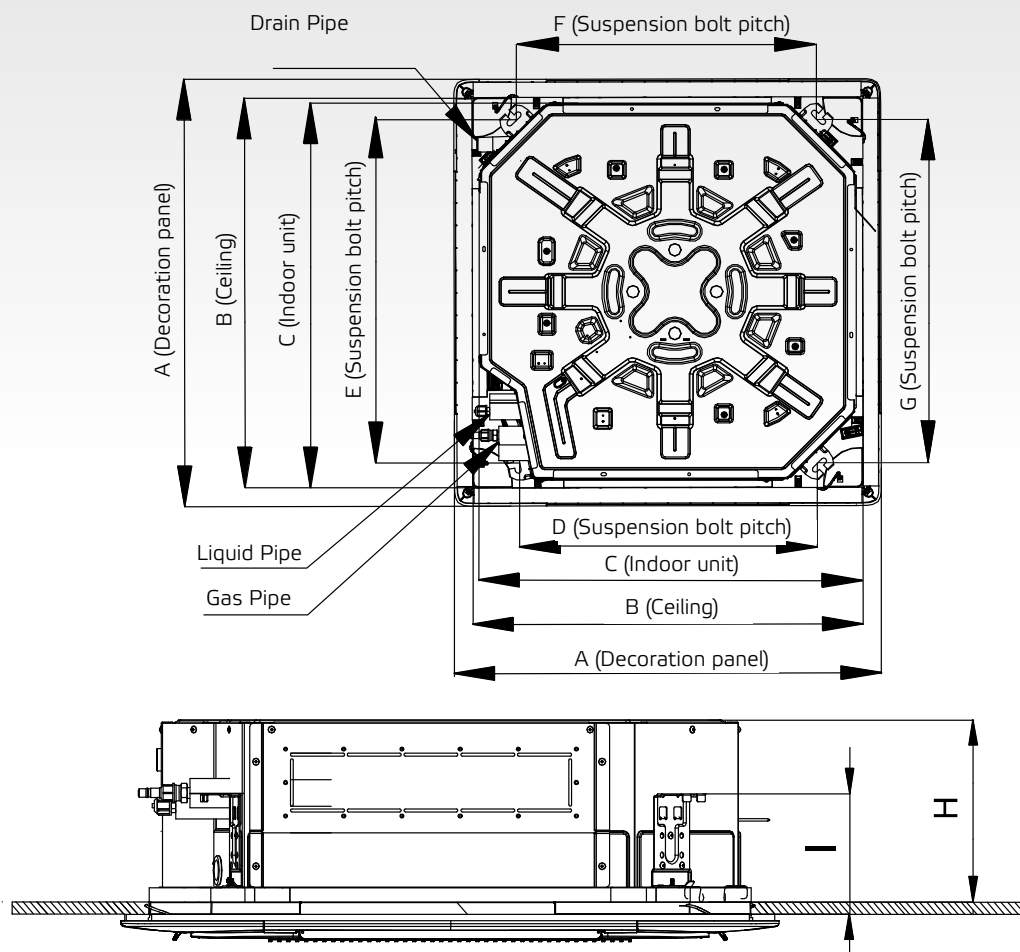
Contains fluorinated greenhouse gases covered by the Kyoto Protocol.

Explanatory notes on the very last page of the catalogue.

It is necessary to combine with an appropriate outdoor unit from UNI SPLIT series (ASGE-xxBI, ASGE-xxBI-3).

APPEARANCE AND DIMENSIONS OF CASSETTE INDOOR UNITS

UNI SPLIT SERIES



| Dimensions | A | B | C | D | E | F | G | H | I |
|------------|-----|-----|-----|-----|-----|-----|-----|-----|-----|
| ASC-12BI | 620 | 580 | 570 | 500 | 550 | 530 | 530 | 265 | 140 |
| ASC-18BI | 620 | 580 | 570 | 500 | 550 | 530 | 530 | 265 | 140 |
| ASC-24BI | 950 | 870 | 840 | 670 | 770 | 680 | 770 | 240 | 134 |
| ASC-30BI | 950 | 870 | 840 | 670 | 770 | 680 | 770 | 240 | 134 |
| ASC-36BI | 950 | 870 | 840 | 670 | 770 | 680 | 770 | 240 | 134 |
| ASC-42BI | 950 | 870 | 840 | 670 | 770 | 680 | 770 | 290 | 134 |
| ASC-48BI | 950 | 870 | 840 | 670 | 770 | 680 | 770 | 290 | 134 |
| ASC-60BI | 950 | 870 | 840 | 670 | 770 | 680 | 770 | 290 | 134 |

units: mm

FLOOR-CEILING INDOOR UNITS

UNI SPLIT SERIES

| MODEL | | | ASF-12BI / ASGE-12BI | ASF-18BI / ASGE-18BI | ASF-24BI / ASGE-24BI | ASF-30BI / ASGE-30BI | ASF-36BI / ASGE-36BI |
|---|-----------------|--------------------|-------------------------------|-------------------------------|-------------------------------|-------------------------------|-----------------------------------|
| Capacity cooling / heating 1) | Nominal | kW | 3,5 (0,3-3,7) / 4,0 (0,7-4,1) | 5,0 (0,6-5,3) / 5,5 (1,2-5,7) | 7,0 (0,7-7,4) / 8,0 (1,8-8,3) | 8,5 (1,0-8,9) / 8,8 (2,0-9,1) | 10,0 (1,2-10,5) / 12,0 (2,5-12,4) |
| Power supply | | Hz / V | 1~ / 50 / 220-240 | 1~ / 50 / 220-240 | 1~ / 50 / 220-240 | 1~ / 50 / 220-240 | 1~ / 50 / 220-240 |
| Energy class cooling 3) | | | A++ | A++ | A++ | A++ | A++ |
| Pdesign cooling | | kW | 3,5 | 5,0 | 7,0 | 8,5 | 10,0 |
| SEER | | | 6,7 | 6,1 | 6,8 | 6,1 | 6,1 |
| Annual power consumption | | kWh / annum | 177 | 284 | 359 | 477 | 573 |
| Energy class heating 3) | Average climate | | A+ | A+ | A | A+ | A+ |
| Pdesign heating | Average climate | kW | 3,1 | 4,0 | 6,4 | 7,2 | 9,0 |
| SCOP | Average climate | | 4,0 | 4,0 | 3,9 | 4,0 | 4,0 |
| Annual power consumption | Average climate | kWh / annum | 1040 | 1394 | 2295 | 2577 | 3149 |
| Air flow of ID | H | m ³ / h | 650 | 850 | 1300 | 1500 | 1600 |
| Sound pressure of ID at 1m 4) | SH/H/M/L | dB(A) | 39/36/32/28 | 44/42/39/36 | 45/44/41/38 | 49/47/45/43 | 49/47/45/43 |
| Sound power of ID 4) | H | dB(A) | 51 | 57 | 57 | 65 | 61 |
| Refrigerant type | | Type | R32 | R32 | R32 | R32 | R32 |
| Pipe diameter - liquid side 5) | | inch / mm | ¼ / 6,4 | ¼ / 6,4 | ¾ / 9,5 | ¾ / 9,5 | ¾ / 9,5 |
| Pipe diameter - gas side 5) | | inch / mm | ¾ / 9,5 | ½ / 12,7 | ¾ / 15,9 | ¾ / 15,9 | ¾ / 15,9 |
| Dimension of ID | w x h x d | mm | 870 x 665 x 235 | 870 x 665 x 235 | 1200 x 665 x 235 | 1200 x 665 x 235 | 1200 x 665 x 235 |
| Package dimension of ID | w x h x d | mm | 1033 x 770 x 300 | 1033 x 770 x 300 | 1363 x 770 x 300 | 1363 x 770 x 300 | 1363 x 770 x 300 |
| Weight of ID | netto / brutto | kg | 25,0 / 30,0 | 26,0 / 31,0 | 31,0 / 37,0 | 31,0 / 37,0 | 32,0 / 38,0 |
| Set temperature range | | °C | 16-30 | 16-30 | 16-30 | 16-30 | 16-30 |
| ADDITIONAL TECHNICAL INFORMATION | | | | | | | |
| Screw holes distance | w x d | mm | 812 x 318 | 812 x 318 | 1142 x 318 | 1142 x 318 | 1142 x 318 |
| Communication cable | | mm ² | 2 x 0,75 | 2 x 0,75 | 2 x 0,75 | 2 x 0,75 | 2 x 0,75 |
| Recommended power cable | | mm ² | 3 x 1,5 | 3 x 1,5 | 3 x 1,5 | 3 x 1,5 | 3 x 1,5 |
| Recommended air switch | | A | 6 | 6 | 6 | 6 | 6 |
| EQUIPMENT | | | | | | | |
| Plasma generator | | | - | - | - | - | - |
| WiFi module | | | | | optional (SWM-03) | | |
| Drain pump | | | - | - | - | - | - |
| Max. lift (from bottom of ID unit) | | mm | - | - | - | - | - |
| Door contact (SCC-36K connector) | | | ✓ | ✓ | ✓ | ✓ | ✓ |
| Alarm contact | | | - | - | - | - | - |
| Fresh air inlet | | | - | - | - | - | - |
| STANDARD ACCESSORIES | | | | | | | |
| Standard health filter | | | - | - | - | - | - |
| Remote controller (IR) | | | YAP1F6 | YAP1F6 | YAP1F6 | YAP1F6 | YAP1F6 |
| Wired controller | | | XK117 | XK117 | XK117 | XK117 | XK117 |
| OPTIONAL ACCESSORIES | | | | | | | |
| Optional health filters | | | - | - | - | - | - |
| Wired controller with weekly timer | | | SWC-03, SWC-03U | SWC-03, SWC-03U | SWC-03, SWC-03U | SWC-03, SWC-03U | SWC-03, SWC-03U |
| Central controller | | | SCC-36 | SCC-36 | SCC-36 | SCC-36 | SCC-36 |
| MODBUS gateway | | | SMG-01 | SMG-01 | SMG-01 | SMG-01 | SMG-01 |
| BACNET gateway | | | SBG-01 | SBG-01 | SBG-01 | SBG-01 | SBG-01 |
| Dry contact gateway | | | SDG-01 | SDG-01 | SDG-01 | SDG-01 | SDG-01 |

The specification of products is subject to change based on further development of the units by the producer and can be changed without prior notice. Refer to rating label.

R32 (single component refrigerant HFC), GWP of refrigerant used: 675.

Contains fluorinated greenhouse gases covered by the Kyoto Protocol.

Explanatory notes on the very last page of the catalogue.

It is necessary to combine with an appropriate outdoor unit from UNI SPLIT series (ASGE-xxBI, ASGE-xxBI-3).

FLOOR-CEILING INDOOR UNITS

UNI SPLIT SERIES

| MODEL | | | ASF-36BI / ASGE-36BI-3 | ASF-42BI / ASGE-42BI-3 | ASF-48BI / ASGE-48BI-3 | ASF-60BI / ASGE-60BI-3 |
|---|-----------------|--------------------|-----------------------------------|-----------------------------------|-----------------------------------|-----------------------------------|
| Capacity cooling / heating 1) | Nominal | kW | 10,0 (1,2-10,5) / 12,0 (2,5-12,4) | 12,1 (1,6-12,7) / 13,5 (3,0-14,0) | 13,4 (1,6-14,1) / 15,5 (3,4-16,0) | 16,0 (2,0-16,8) / 17,0 (3,7-17,6) |
| Power supply | | Hz / V | 1~ / 50 / 220-240 | 1~ / 50 / 220-240 | 1~ / 50 / 220-240 | 1~ / 50 / 220-240 |
| Energy class cooling 3) | | | A++ | A++ | A++ | A++ |
| Pdesign cooling | | kW | 10,0 | - | - | - |
| SEER | | | 6,1 | 6,1 | 6,1 | 6,1 |
| Annual power consumption | | kWh / annum | 561 | - | - | - |
| Energy class heating 3) | Average climate | | A+ | A | A+ | A+ |
| Pdesign heating | Average climate | kW | 9,0 | - | - | - |
| SCOP | Average climate | | 4,0 | 3,8 | 4,0 | 4,0 |
| Annual power consumption | Average climate | kWh / annum | 3146 | - | - | - |
| Air flow of ID | H | m ³ / h | 1600 | 1800 | 2100 | 2300 |
| Sound pressure of ID at 1m 4) | SH/H/M/L | dB(A) | 49/47/45/43 | 49/47/44/42 | 52/50/48/44 | 54/53/49/45 |
| Sound power of ID 4) | H | dB(A) | 61 | 61 | 65 | 67 |
| Refrigerant type | | Type | R32 | R32 | R32 | R32 |
| Pipe diameter - liquid side 5) | | inch / mm | 3/8 / 9,5 | 3/8 / 9,5 | 3/8 / 9,5 | 3/8 / 9,5 |
| Pipe diameter - gas side 5) | | inch / mm | 1/2 / 15,9 | 1/2 / 15,9 | 1/2 / 15,9 | 1/2 / 15,9 |
| Dimension of ID | w x h x d | mm | 1200 x 665 x 235 | 1570 x 665 x 235 | 1570 x 665 x 235 | 1570 x 665 x 235 |
| Package dimension of ID | w x h x d | mm | 1363 x 770 x 300 | 1729 x 770 x 300 | 1729 x 770 x 300 | 1729 x 770 x 300 |
| Weight of ID | netto / brutto | kg | 32,0 / 38,0 | 40,0 / 47,0 | 42,0 / 49,0 | 42,0 / 49,0 |
| Set temperature range | | °C | 16-30 | 16-30 | 16-30 | 16-30 |
| ADDITIONAL TECHNICAL INFORMATION | | | | | | |
| Screw holes distance | w x d | mm | 1142 x 318 | 1512 x 318 | 1512 x 318 | 1512 x 318 |
| Communication cable | | mm ² | 2 x 0,75 | 2 x 0,75 | 2 x 0,75 | 2 x 0,75 |
| Recommended power cable | | mm ² | 3 x 1,5 | 3 x 1,5 | 3 x 1,5 | 3 x 1,5 |
| Recommended air switch | | A | 6 | 6 | 6 | 6 |
| EQUIPMENT | | | | | | |
| Plasma generator | | | - | - | - | - |
| WiFi module | | | | optional (SWM-03) | | |
| Drain pump | | | - | - | - | - |
| Max. lift (from bottom of ID unit) | | mm | - | - | - | - |
| Door contact (SCC-36K connector) | | | ✓ | ✓ | ✓ | ✓ |
| Alarm contact | | | - | - | - | - |
| Fresh air inlet | | | - | - | - | - |
| STANDARD ACCESSORIES | | | | | | |
| Standard health filter | | | - | - | - | - |
| Remote controller (IR) | | | YAP1F6 | YAP1F6 | YAP1F6 | YAP1F6 |
| Wired controller | | | XK117 | XK117 | XK117 | XK117 |
| OPTIONAL ACCESSORIES | | | | | | |
| Optional health filters | | | - | - | - | - |
| Wired controller with weekly timer | | | SWC-03, SWC-03U | SWC-03, SWC-03U | SWC-03, SWC-03U | SWC-03, SWC-03U |
| Central controller | | | SCC-36 | SCC-36 | SCC-36 | SCC-36 |
| MODBUS gateway | | | SMG-01 | SMG-01 | SMG-01 | SMG-01 |
| BACNET gateway | | | SBG-01 | SBG-01 | SBG-01 | SBG-01 |
| Dry contact gateway | | | SDG-01 | SDG-01 | SDG-01 | SDG-01 |

The specification of products is subject to change based on further development of the units by the producer and can be changed without prior notice. Refer to rating label.

R32 (single component refrigerant HFC), GWP of refrigerant used: 675.

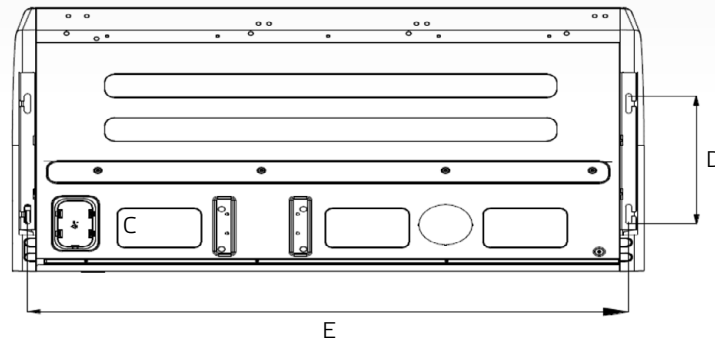
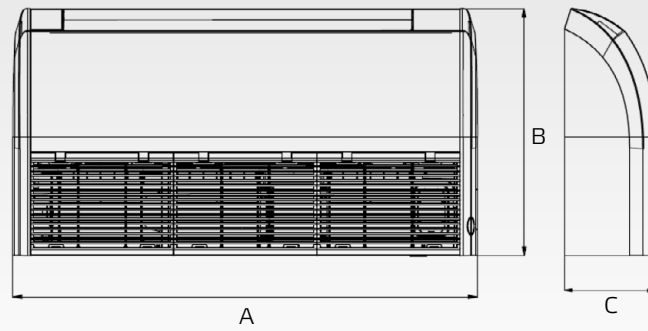
Contains fluorinated greenhouse gases covered by the Kyoto Protocol.

Explanatory notes on the very last page of the catalogue.

It is necessary to combine with an appropriate outdoor unit from UNI SPLIT series (ASGE-xxBI, ASGE-xxBI-3).

APPEARANCE AND DIMENSIONS OF FLOOR-CEILING INDOOR UNITS

UNI SPLIT SERIES



units: mm

| | A | B | C | D | E |
|----------|------|-----|-----|-----|------|
| ASF-12BI | 870 | 665 | 235 | 318 | 812 |
| ASF-18BI | 870 | 665 | 235 | 318 | 812 |
| ASF-24BI | 1200 | 665 | 235 | 318 | 1142 |
| ASF-30BI | 1200 | 665 | 235 | 318 | 1142 |
| ASF-36BI | 1200 | 665 | 235 | 318 | 1142 |
| ASF-42BI | 1570 | 665 | 235 | 318 | 1512 |
| ASF-48BI | 1570 | 665 | 235 | 318 | 1512 |
| ASF-60BI | 1570 | 665 | 235 | 318 | 1512 |

DUCT INDOOR UNITS

UNI SPLIT SERIES

| MODEL | | | ASD-12BI / ASGE-12BI | ASD-18BI / ASGE-18BI | ASD-24BI / ASGE-24BI | ASD-30BI / ASGE-30BI | ASD-36BI / ASGE-36BI |
|---|-----------------|--------------------|-------------------------------|-------------------------------|-------------------------------|-------------------------------|-----------------------------------|
| Capacity cooling / heating 1) | Nominal | kW | 3,5 (0,4-3,7) / 4,0 (0,8-4,1) | 5,0 (0,6-5,3) / 5,5 (1,1-5,7) | 7,0 (0,8-7,6) / 8,0 (1,7-8,3) | 8,5 (1,0-8,9) / 8,8 (2,0-9,1) | 10,0 (1,2-10,6) / 12,0 (2,5-12,4) |
| Power supply | | Hz / V | 1~ / 50 / 220-240 | 1~ / 50 / 220-240 | 1~ / 50 / 220-240 | 1~ / 50 / 220-240 | 1~ / 50 / 220-240 |
| Energy class cooling 3) | | | A++ | A++ | A++ | A++ | A++ |
| Pdesign cooling | | kW | 3,5 | 5,0 | 7,0 | 8,5 | 10,0 |
| SEER | | | 6,1 | 6,1 | 6,8 | 6,1 | 6,1 |
| Annual power consumption | | kWh / annum | 200 | 277 | 357 | 480 | 571 |
| Energy class heating 3) | Average climate | | A+ | A+ | A+ | A+ | A+ |
| Pdesign heating | Average climate | kW | 3,1 | 4,2 | 6,4 | 7,2 | 9,0 |
| SCOP | Average climate | | 4,0 | 4,0 | 4,0 | 4,0 | 4,0 |
| Annual power consumption | Average climate | kWh / annum | 1110 | 1469 | 2238 | 2576 | 3147 |
| Air flow of ID | H | m ³ / h | 650 | 950 | 1200 | 1500 | 1800 |
| Sound pressure of ID at 1,4m 4) | SH/H/M/L | dB(A) | 41/38/36/34 | 43/42/39/36 | 40/39/37/36 | 42/40/37/35 | 46/44/42/40 |
| Sound power of ID 4) | H | dB(A) | 59 | 58 | 62 | 65 | 65 |
| External static pressure | nom / min-max | Pa | 25 (0-50) | 25 (0-50) | 25 (0-75) | 37 (0-75) | 37 (0-100) |
| Refrigerant type | | Type | R32 | R32 | R32 | R32 | R32 |
| Pipe diameter - liquid side 5) | | inch / mm | ¼ / 6,4 | ¼ / 6,4 | ¾ / 9,5 | ¾ / 9,5 | ¾ / 9,5 |
| Pipe diameter - gas side 5) | | inch / mm | ¾ / 9,5 | ½ / 12,7 | ¾ / 15,9 | ¾ / 15,9 | ¾ / 15,9 |
| Dimension of ID | w × h × d | mm | 700 × 200 × 450 | 1000 × 200 × 450 | 1300 × 220 × 450 | 1300 × 220 × 450 | 1000 × 300 × 700 |
| Package dimension of ID | w × h × d | mm | 1008 × 275 × 568 | 1308 × 275 × 568 | 1570 × 283 × 545 | 1570 × 283 × 545 | 1205 × 360 × 813 |
| Weight of ID | netto / brutto | kg | 20,0 / 24,0 | 26,0 / 31,0 | 31,0 / 36,0 | 31,0 / 36,0 | 41,0 / 47,0 |
| Set temperature range | | °C | 16-30 | 16-30 | 16-30 | 16-30 | 16-30 |
| ADDITIONAL TECHNICAL INFORMATION | | | | | | | |
| Screw holes distance | w × d | mm | 760 × 415 | 1060 × 415 | 1360 × 415 | 1360 × 415 | 1040 × 500 |
| Communication cable | | mm ² | 2 × 0,75 | 2 × 0,75 | 2 × 0,75 | 2 × 0,75 | 2 × 0,75 |
| Recommended power cable | | mm ² | 3 × 1,5 | 3 × 1,5 | 3 × 1,5 | 3 × 1,5 | 3 × 1,5 |
| Recommended air switch | | A | 6 | 6 | 6 | 6 | 6 |
| EQUIPMENT | | | | | | | |
| Plasma generator | | | - | - | - | - | - |
| WiFi module | | | | | optional (SWM-03) | | |
| Drain pump | | | ✓ | ✓ | ✓ | ✓ | ✓ |
| Max. lift (from bottom of ID unit) | | mm | 1000 | 1000 | 1000 | 1000 | 1000 |
| Dry contact (ON / OFF) | | | ✓ | ✓ | ✓ | ✓ | ✓ |
| Alarm contact | | | - | - | - | - | - |
| Fresh air inlet | | | ✓ | ✓ | ✓ | ✓ | ✓ |
| STANDARD ACCESSORIES | | | | | | | |
| Standard health filter | | | - | - | - | - | - |
| Remote controller (IR) | | | YAP1F6 | YAP1F6 | YAP1F6 | YAP1F6 | YAP1F6 |
| Wired controller | | | XK117 | XK117 | XK117 | XK117 | XK117 |
| OPTIONAL ACCESSORIES | | | | | | | |
| Optional health filters | | | - | - | - | - | - |
| Wired controller with weekly timer | | | SWC-03, SWC-03U | SWC-03, SWC-03U | SWC-03, SWC-03U | SWC-03, SWC-03U | SWC-03, SWC-03U |
| Central controller | | | SCC-36 | SCC-36 | SCC-36 | SCC-36 | SCC-36 |
| MODBUS gateway | | | SMG-01 | SMG-01 | SMG-01 | SMG-01 | SMG-01 |
| BACNET gateway | | | SBG-01 | SBG-01 | SBG-01 | SBG-01 | SBG-01 |
| Dry contact gateway | | | SDG-01 | SDG-01 | SDG-01 | SDG-01 | SDG-01 |

The specification of products is subject to change based on further development of the units by the producer and can be changed without prior notice. Refer to rating label.

R32 (single component refrigerant HFC), GWP of refrigerant used: 675.

Contains fluorinated greenhouse gases covered by the Kyoto Protocol.

Explanatory notes on the very last page of the catalogue.

It is necessary to combine with an appropriate outdoor unit from UNI SPLIT series (ASGE-xxBI, ASGE-xxBI-3).

DUCT INDOOR UNITS

UNI SPLIT SERIES

| MODEL | | | ASD-36BI / ASGE-36BI-3 | ASD-42BI / ASGE-42BI-3 | ASD-48BI / ASGE-48BI-3 | ASD-60BI / ASGE-60BI-3 | |
|---|-----------------|--------------------|-----------------------------------|-----------------------------------|-----------------------------------|-----------------------------------|--|
| Capacity cooling / heating 1) | Nominal | kW | 10,0 (1,2-10,6) / 12,0 (2,5-12,4) | 12,1 (1,6-12,7) / 13,5 (3,0-14,0) | 13,4 (1,6-14,1) / 15,5 (3,4-16,0) | 16,0 (2,0-16,8) / 17,0 (3,7-17,6) | |
| Power supply | | Hz / V | 1~ / 50 / 220-240 | 1~ / 50 / 220-240 | 1~ / 50 / 220-240 | 1~ / 50 / 220-240 | |
| Energy class cooling 3) | | | A++ | A+ | A+ | A++ | |
| Pdesign cooling | | kW | 10,0 | - | - | - | |
| SEER | | | 6,1 | 5,8 | 5,4 | 6,1 | |
| Annual power consumption | | kWh / annum | 577 | - | - | - | |
| Energy class heating 3) | Average climate | | A+ | A | A | A+ | |
| Pdesign heating | Average climate | kW | 9,0 | - | - | - | |
| SCOP | Average climate | | 4,0 | 3,8 | 3,7 | 4,0 | |
| Annual power consumption | Average climate | kWh / annum | 3218 | - | - | - | |
| Air flow of ID | H | m ³ / h | 1800 | 2000 | 2200 | 2400 | |
| Sound pressure of ID at 1,4m 4) | SH/H/M/L | dB(A) | 46/44/42/40 | 42/40/39/37 | 43/41/40/38 | 44/41/39/38 | |
| Sound power of ID 4) | H | dB(A) | 65 | 66 | 65 | 66 | |
| External static pressure | nom / min-max | Pa | 37 (0-100) | 50 (0-150) | 50 (0-150) | 50 (0-200) | |
| Refrigerant type | | Type | R32 | R32 | R32 | R32 | |
| Pipe diameter - liquid side 5) | | inch / mm | 3/8 / 9,5 | 3/8 / 9,5 | 3/8 / 9,5 | 3/8 / 9,5 | |
| Pipe diameter - gas side 5) | | inch / mm | 3/8 / 15,9 | 3/8 / 15,9 | 3/8 / 15,9 | 3/8 / 15,9 | |
| Dimension of ID | w × h × d | mm | 1000 × 300 × 700 | 1400 × 300 × 700 | 1400 × 300 × 700 | 1400 × 300 × 700 | |
| Package dimension of ID | w × h × d | mm | 1205 × 360 × 813 | 1601 × 365 × 813 | 1601 × 365 × 813 | 1678 × 365 × 808 | |
| Weight of ID | netto / brutto | kg | 41,0 / 47,0 | 50,0 / 56,0 | 50,0 / 56,0 | 57,0 / 64,0 | |
| Set temperature range | | °C | 16~30 | 16~30 | 16~30 | 16~30 | |
| ADDITIONAL TECHNICAL INFORMATION | | | | | | | |
| Screw holes distance | w × d | mm | 1040 × 500 | 1440 × 500 | 1440 × 500 | 1440 × 500 | |
| Communication cable | | mm ² | 2 × 0,75 | 2 × 0,75 | 2 × 0,75 | 2 × 0,75 | |
| Recommended power cable | | mm ² | 3 × 1,5 | 3 × 1,5 | 3 × 1,5 | 3 × 1,5 | |
| Recommended air switch | | A | 6 | 6 | 6 | 6 | |
| EQUIPMENT | | | | | | | |
| Plasma generator | | | - | - | - | - | |
| WiFi module | | | optional (SWM-03) | | | | |
| Drain pump | | | ✓ | ✓ | ✓ | ✓ | |
| Max. lift (from bottom of ID unit) | | mm | 1000 | 1000 | 1000 | 1000 | |
| Dry contact (ON / OFF) | | | ✓ | ✓ | ✓ | ✓ | |
| Alarm contact | | | - | - | - | - | |
| Fresh air inlet | | | ✓ | ✓ | ✓ | ✓ | |
| STANDARD ACCESSORIES | | | | | | | |
| Standard health filter | | | - | - | - | - | |
| Remote controller (IR) | | | YAP1F6 | YAP1F6 | YAP1F6 | YAP1F6 | |
| Wired controller | | | XK117 | XK117 | XK117 | XK117 | |
| OPTIONAL ACCESSORIES | | | | | | | |
| Optional health filters | | | - | - | - | - | |
| Wired controller with weekly timer | | | SWC-03, SWC-03U | SWC-03, SWC-03U | SWC-03, SWC-03U | SWC-03, SWC-03U | |
| Central controller | | | SCC-36 | SCC-36 | SCC-36 | SCC-36 | |
| MODBUS gateway | | | SMG-01 | SMG-01 | SMG-01 | SMG-01 | |
| BACNET gateway | | | SBG-01 | SBG-01 | SBG-01 | SBG-01 | |
| Dry contact gateway | | | SDG-01 | SDG-01 | SDG-01 | SDG-01 | |

The specification of products is subject to change based on further development of the units by the producer and can be changed without prior notice. Refer to rating label.

R32 (single component refrigerant HFC), GWP of refrigerant used: 675.

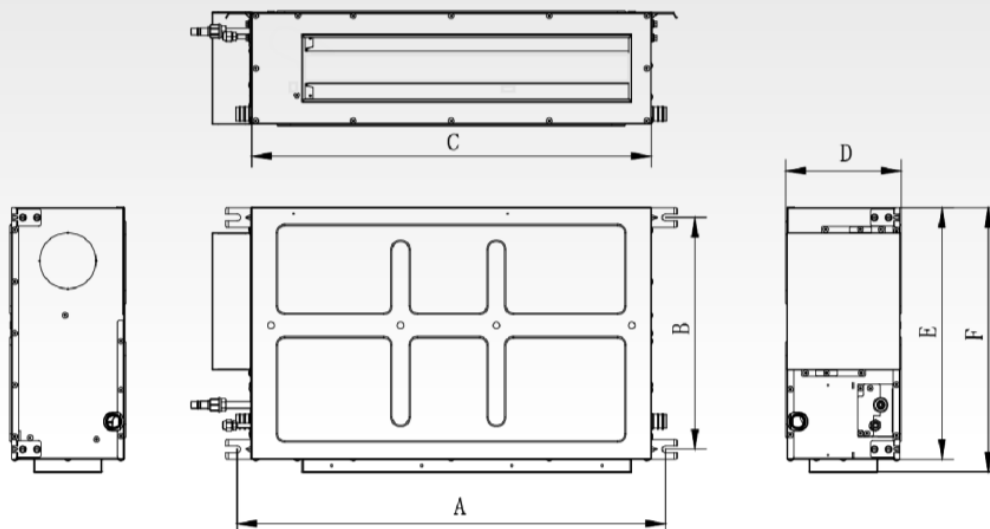
Contains fluorinated greenhouse gases covered by the Kyoto Protocol.

Explanatory notes on the very last page of the catalogue.

It is necessary to combine with an appropriate outdoor unit from UNI SPLIT series (ASGE-xxBI, ASGE-xxBI-3).

APPEARANCE AND DIMENSIONS OF DUCT INDOOR UNITS

UNI SPLIT SERIES

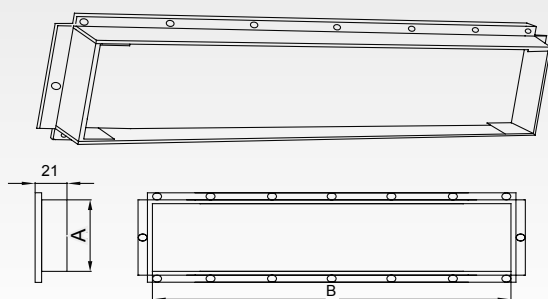


| Dimensions Model | A | B | C | D | E | F |
|---------------------|------|-----|------|-----|-----|-----|
| ASD-12BI | 760 | 415 | 700 | 200 | 450 | 474 |
| ASD-18BI | 1060 | 415 | 1000 | 200 | 450 | 474 |
| ASD-24BI | 1360 | 415 | 1300 | 220 | 450 | 474 |
| ASD-30BI | | | | | | |
| ASD-36BI | 1040 | 500 | 1000 | 300 | 700 | 754 |
| ASD-42BI | 1440 | 500 | 1400 | 300 | 700 | 754 |
| ASD-48BI | | | | | | |
| ASD-60BI | | | | | | |

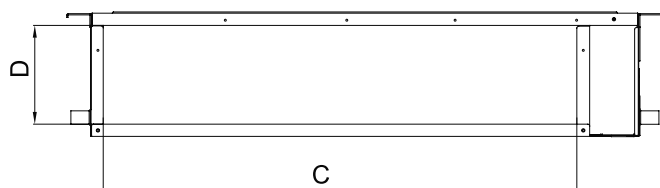
DIMENSIONS OF AIR INLET AND OUTLET

UNI SPLIT SERIES

Air outlet



Air inlet



| Dimensions | Air outlet | | Air inlet | |
|------------|------------|------|-----------|-----|
| | A | B | C | D |
| ASD-12BI | 122 | 585 | 700 | 200 |
| ASD-18BI | 122 | 885 | 1000 | 200 |
| ASD-24BI | 142 | 1185 | 1300 | 220 |
| ASD-30BI | | | | |
| ASD-36BI | 195 | 746 | 960 | 264 |
| ASD-42BI | 195 | 1150 | 1360 | 264 |
| ASD-48BI | | | | |
| ASD-60BI | | | | |

WALL MOUNTED INDOOR UNITS

UNI SPLIT SERIES

| MODEL | | | ASH-24BIH | ASH-36BIH | | |
|---|-----------------|--------------------|---|-----------------------------------|--|--|
| Capacity cooling / heating 1) | Nominal | kW | 7,0 (0,7-7,4) / 8,0 (1,8-8,3) | 10,0 (1,2-10,5) / 12,0 (2,5-12,4) | | |
| Power supply | | Hz / V | 1~ / 50 / 220-240 | 1~ / 50 / 220-240 | | |
| Energy class cooling 3) | | | A++ | A++ | | |
| Pdesign cooling | | kW | 7,0 | 10,0 | | |
| SEER | | | 7,2 | 6,1 | | |
| Annual power consumption | | kWh / annum | 359 | 573 | | |
| Energy class heating 3) | Average climate | | A+ | A+ | | |
| Pdesign heating | Average climate | kW | 6,4 | 9,0 | | |
| SCOP | Average climate | | 4,0 | 4,0 | | |
| Annual power consumption | Average climate | kWh / annum | 2295 | 3149 | | |
| Air flow of ID | H | m ³ / h | 1300 | 1600 | | |
| Sound pressure of ID at 1m 4) | SH/H/M/L | dB(A) | 45/43/40 | 52/46/43 | | |
| Sound power of ID 4) | H | dB(A) | 51 | 57 | | |
| Refrigerant type | | Type | R32 | R32 | | |
| Pipe diameter - liquid side 5) | | inch / mm | 3/8 / 9,5 | 3/8 / 9,5 | | |
| Pipe diameter - gas side 5) | | inch / mm | 3/8 / 15,9 | 3/8 / 15,9 | | |
| Dimension of ID | w x h x d | mm | 1078 x 325 x 246 | 1350 x 326 x 253 | | |
| Package dimension of ID | w x h x d | mm | 1127 x 403 x 344 | 1441 x 421 x 367 | | |
| Weight of ID | netto / brutto | kg | 15,0 / 18,0 | 18,0 / 23,0 | | |
| Set temperature range | | °C | 16-30 | 16-30 | | |
| ADDITIONAL TECHNICAL INFORMATION | | | | | | |
| Screw holes distance of OD | w x d | mm | 1142 x 318 | | | |
| Communication cable | | mm ² | 2 x 0,75 | | | |
| Recommended power cable | | mm ² | 3 x 1,5 | 3 x 1,5 | | |
| Recommended air switch | | A | 6 | 6 | | |
| EQUIPMENT | | | | | | |
| Plasma generator | | | ✓ | ✓ | | |
| WiFi module | | | ✓ | ✓ | | |
| Drain pump | | | - | - | | |
| Max. lift (from bottom of ID unit) | | mm | - | - | | |
| Door contact (SCC-36K connector) | | | ✓ | ✓ | | |
| Alarm contact | | | - | - | | |
| Fresh air inlet | | | - | - | | |
| STANDARD ACCESSORIES | | | | | | |
| Standard health filter | | | - | - | | |
| Remote controller (IR) | | | YAN1F6 (WiFi) | YAN1F6 (WiFi) | | |
| Wired controller | | | - | - | | |
| OPTIONAL ACCESSORIES | | | | | | |
| Optional health filters | | | SAF-OPWB4, SAF-OPWK4, SAF-OPWM4, SAF-OPWP4, SAF-OPWS4 | | | |
| Wired controller | | | XK117, SWC-03, SWC-03U | XK117, SWC-03, SWC-03U | | |
| Central controller | | | SCC-36 | SCC-36 | | |
| MODBUS gateway | | | SMG-01 | SMG-01 | | |
| BACNET gateway | | | SBG-01 | SBG-01 | | |
| Dry contact gateway | | | SDG-01 | SDG-01 | | |

The specification of products is subject to change based on further development of the units by the producer and can be changed without prior notice. Refer to rating label.

R32 (single component refrigerant HFC), GWP of refrigerant used: 675.

Contains fluorinated greenhouse gases covered by the Kyoto Protocol.

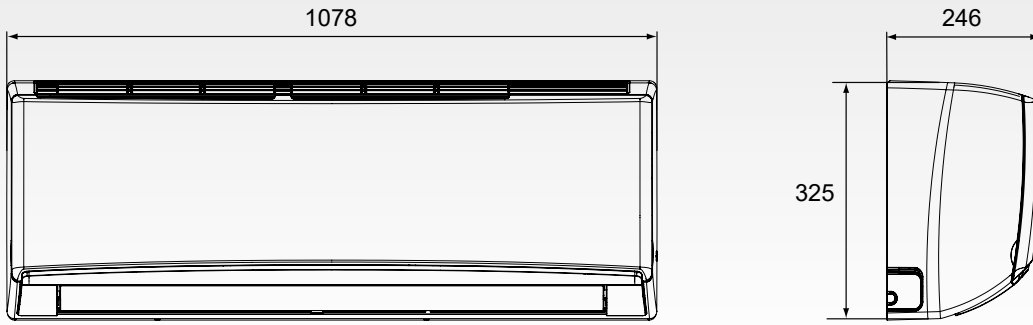
Explanatory notes on the very last page of the catalogue.

It is necessary to combine with an appropriate outdoor unit from UNI SPLIT series (ASGE-xxBI, ASGE-xxBI-3).

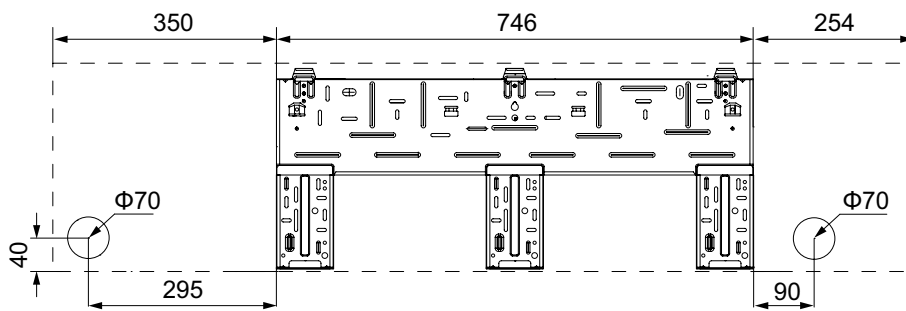
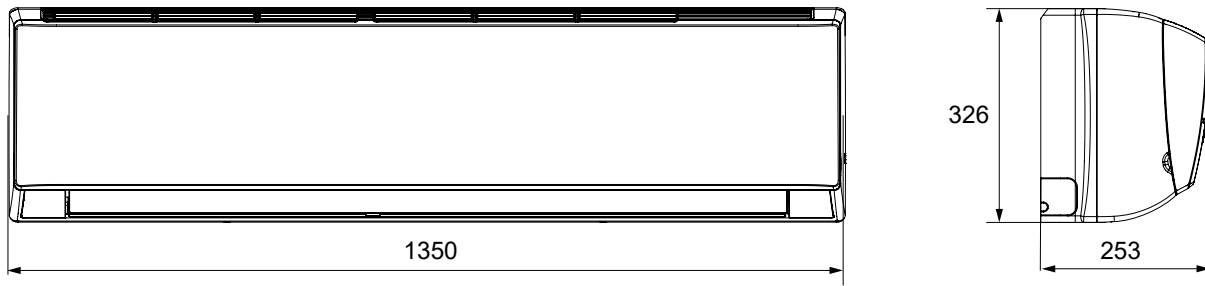
APPEARANCE AND DIMENSIONS OF INDOOR UNIT

UNI SPLIT SERIES

ASH-24BIH



ASH-36BIH



SPLIT AIR CONDITIONER

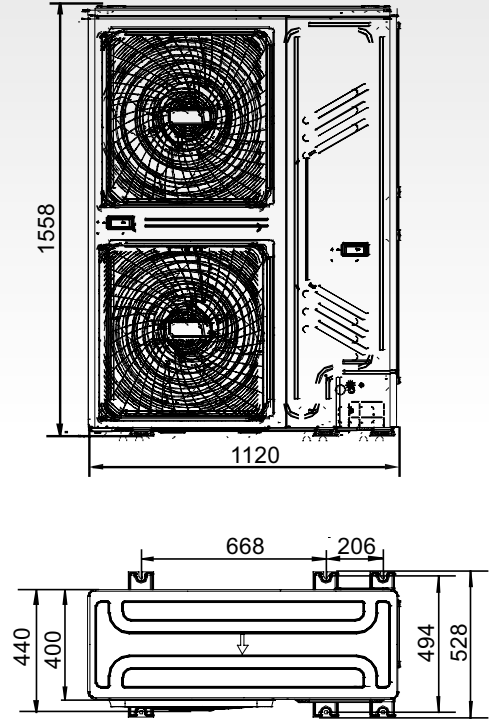
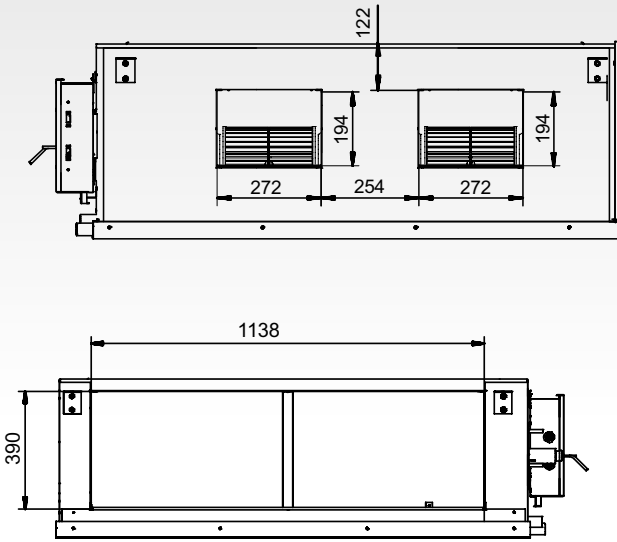
HIGH STATIC PRESSURE DUCT UNIT

| MODEL | | ASDH-96AI | | | | |
|---|-------------------|-----------------------------------|---------------------|--|--|--|
| Capacity cooling / heating 1) | Nominal (min-max) | kW | 28,0 / 31,5 | | | |
| Power supply ID | | Hz / V | 1~ / 50 / 220-240 | | | |
| Power supply OD | | | 3~ / 50 / 380-415 | | | |
| Power input cooling / heating 1) | | W | 9000 / 8500 | | | |
| Maximal power input 2) | | W | 11700 | | | |
| Nominal current cooling / heating of ID | | A | 4,5 | | | |
| Nominal power current of OD 2) | | A | 16,0 | | | |
| EER / COP | | | 3,1 / 3,7 | | | |
| Air flow of ID | H/M/L | m ³ / h | 4800/4100/3000 | | | |
| Airflow of OD | H | m ³ / h | 9800 | | | |
| Sound pressure of ID 4) | min-max | dB(A) | 49-52 | | | |
| Sound pressure of OD 4) | H | dB(A) | 59 | | | |
| External static pressure | | Pa | 0-150 | | | |
| Refrigerant type / charge | | Type / kg / t eq. CO ₂ | R410A / 7,2 / 15,03 | | | |
| Additional refrigerant | | g / m | 30 | | | |
| Pipe diameter - liquid side 5) | | inch / mm | 3/8 / 9,5 | | | |
| Pipe diameter - gas side 5) | | inch / mm | 1 / 25,4 | | | |
| Max pipe length without additional refrigerant 6) | | m | 5 | | | |
| Maximal allowed pipe length 7) | | m | 50 | | | |
| Max. elevation / Drop height* | | m | 25 / 30 | | | |
| Dimension of ID | w × h × d | mm | 1470 × 512 × 775 | | | |
| Dimensions of outdoor unit | w × h × d | mm | 1120 × 1558 × 528 | | | |
| Package dimension of ID | w × h × d | mm | 1555 × 545 × 875 | | | |
| Package dimensions of outdoor unit | w × h × d | mm | 1270 × 1720 × 565 | | | |
| Weight of ID | netto / brutto | kg | 83,0 / 92,0 | | | |
| Weight of OD | netto / brutto | kg | 147,0 / 163,0 | | | |
| Set temperature range | | °C | 17-30 | | | |
| Operating temperature range 8) | cooling | °C | -15-48 | | | |
| | heating | °C | -15-24 | | | |
| ADDITIONAL TECHNICAL INFORMATION | | | | | | |
| Screw holes distance of OD | w (w2) × d | mm | 668 (874) × 494 | | | |
| Communication cable | | mm ² | 3 × 0,75 | | | |
| Recommended power cable | indoor | mm ² | 3 × 2,5 | | | |
| | outdoor | mm ² | 5 × 6,0 | | | |
| Recommended air switch | indoor | A | C16 | | | |
| | outdoor | A | C40 | | | |
| EQUIPMENT | | | | | | |
| Plasma generator | indoor | | - | | | |
| WiFi module | | | - | | | |
| Drain pump | | | - | | | |
| Max. lift (from bottom of ID unit) | | mm | - | | | |
| Dry contact (ON / OFF) | | | ✓ | | | |
| Alarm contact | | | ✓ | | | |
| Fresh air inlet | | | - | | | |
| Throttling method | outdoor | | EXV | | | |
| Bottom chassis heater | | | - | | | |
| Crankcase heater | | | ✓ | | | |
| Bottom plugs for OD | | | ✓ | | | |
| Drain pipe connector | | | ✓ | | | |
| STANDARD ACCESSORIES | | | | | | |
| Standard health filter | | | - | | | |
| Remote controller (IR) | | | - | | | |
| Wired controller | | | KJR-29B1/BK-E | | | |
| OPTIONAL ACCESSORIES | | | | | | |
| Optional health filters | | | - | | | |
| Wired controller | | | - | | | |
| Central controller | | | CCM30 | | | |

* Outdoor unit above indoor unit / Outdoor unit below indoor unit

The specification of products is subject to change based on further development of the units by the producer and can be changed without prior notice. Refer to rating label.
 R410A (50% HFC-32, 50% HFC-125), GWP 2088
 Contains fluorinated greenhouse gases covered by the Kyoto Protocol.
 Explanatory notes on the very last page of the catalogue.
 The device is being sold as a set (indoor + outdoor unit).

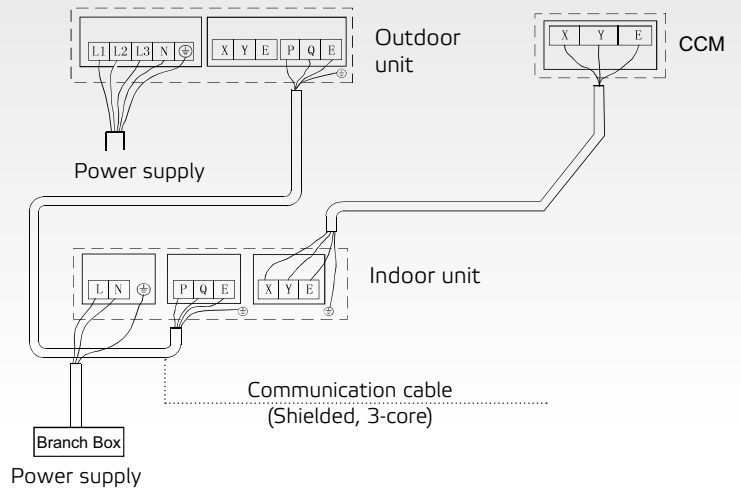
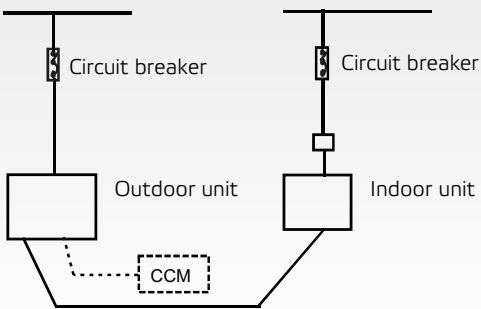
APPEARANCE AND DIMENSIONS OF UNITS
HIGH STATIC PRESSURE DUCT UNIT



units: mm

ELECTRICAL WIRING DIAGRAM

POWER SUPPLY 380-415V ~50HZ

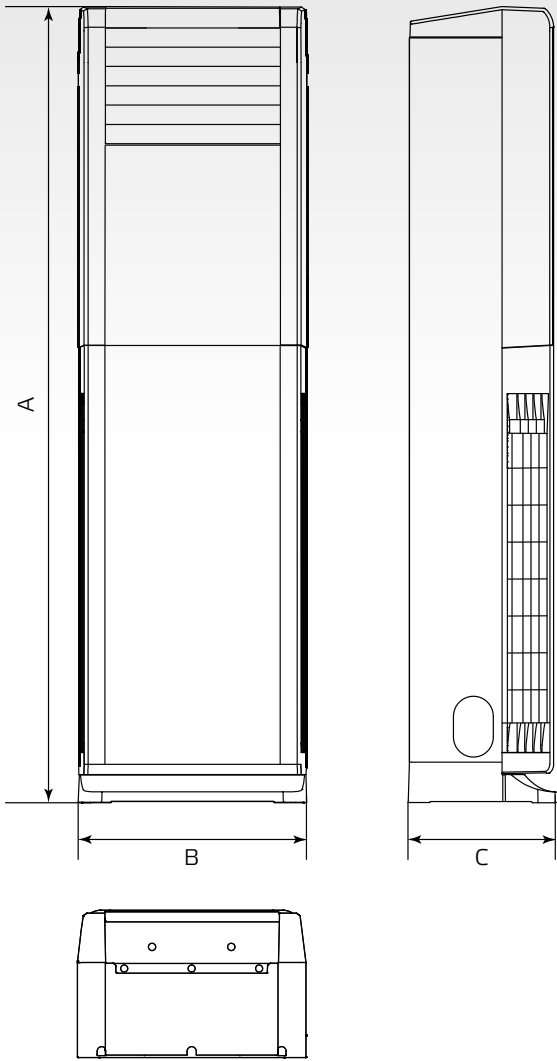


SPLIT AIR CONDITIONER

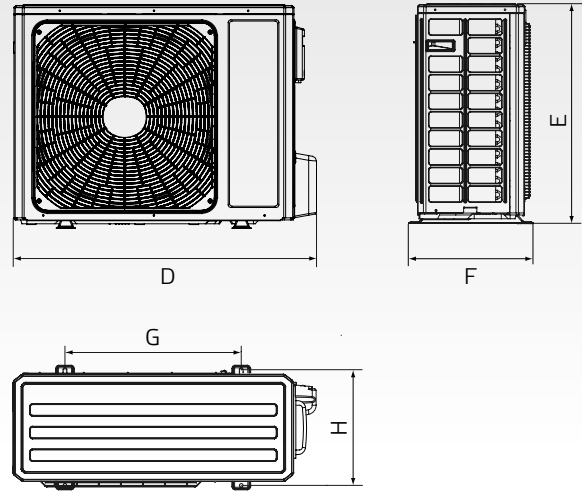
TOWER SERIES

| MODEL | | | AST-24BI | AST-48BI | | | |
|---|-----------------------------------|--------------------|-------------------|---------------------|---|--|--|
| Capacity cooling / heating 1) | Nominal (min-max) | kW | 7,2 / 7,9 | 12,5 / 13,5 | | | |
| Power supply 11) | Frequency / Voltage | Hz / V | 1~ / 50 / 220-240 | 1~ / 50 / 220-240 | | | |
| Application area | | m ² | 27-42 | 55-85 | | | |
| Power input cooling / heating 1) | | W | 2050 / 2330 | 4200 / 4200 | | | |
| Maximal power input 2) | | W | 3900 | 5400 | | | |
| Power current cooling / heating | | A | 10,0 / 11,0 | 19,0 / 19,0 | | | |
| Maximal power current 2) | | A | 18 | 22 | | | |
| Energy class cooling 3) | | | A++ | A+ | | | |
| Pdesign cooling | | kW | 7,2 | 12,5 | | | |
| SEER | | | 6,1 | 5,6 | | | |
| Annual power consumption | | kWh / annum | 413 | 781 | | | |
| Energy class heating 3) | Average climate | | A+ | A | | | |
| Pdesign heating | Average climate | kW | 6,1 | 9 | | | |
| SCOP | Average climate | | 4,0 | 3,7 | | | |
| Annual power consumption | Average climate | kWh / annum | 2135 | 3405 | | | |
| Air flow of ID | SH/H/M/L | m ³ / h | 1250/950/850/750 | 2000/1850/1700/1580 | | | |
| Air flow of OD | H | m ³ / h | 3200 | 6000 | | | |
| Sound pressure of ID 4) | SH/H/M/L | dB(A) | 45/41/38/35 | 53/51/50/48 | | | |
| Sound pressure of OD 4) | H | dB(A) | 61 | 64 | | | |
| Sound power of ID 4) | SH/H/M/L | dB(A) | 60/51/48/45 | 66 | | | |
| Sound power of OD 4) | H | dB(A) | 70 | 74 | | | |
| Dehumidifying volume | | l / h | 2,0 | 5,0 | | | |
| Refrigerant type / charge | Type / kg / t eq. CO ₂ | | R32 / 1,6 / 1,08 | R32 / 2,6 / 1,75 | | | |
| Additional refrigerant | | g / m | 40 | 40 | | | |
| Pipe diameter - liquid side 5) | | inch / mm | ¼ / 6,4 | ¾ / 19,5 | | | |
| Pipe diameter - gas side 5) | | inch / mm | ¾ / 15,9 | ¾ / 15,9 | | | |
| Max pipe length without additional refrigerant 6) | | m | 5 | 5 | | | |
| Maximal allowed pipe length 7) | | m | 25 | 30 | | | |
| Max. elevation / Drop height | | m | 10 | 20 | | | |
| Dimension of ID | w × h × d | mm | 507 × 1770 × 320 | 587 × 1882 × 394 | | | |
| Dimensions of outdoor unit | w × h × d | mm | 965 × 700 × 396 | 1028 × 822 × 530 | | | |
| Package dimension of ID | w × h × d | mm | 1988 × 623 × 440 | 2153 × 738 × 545 | | | |
| Package dimensions of outdoor unit | w × h × d | mm | 1029 × 458 × 750 | 1083 × 573 × 973 | | | |
| Weight of ID | netto / brutto | kg | 38,0 / 50,0 | 55,0 / 77,5 | | | |
| Weight of OD | netto / brutto | kg | 53,5 / 58,0 | 89,0 / 100,0 | | | |
| Set temperature range | | °C | 16-30 | 16-30 | | | |
| Operating temperature range 8) | cooling | °C | -15-43 | -15-43 | | | |
| | heating | °C | -15-24 | -15-24 | | | |
| ADDITIONAL TECHNICAL INFORMATION | | | | | | | |
| Screw holes distance of OD | w × d | mm | 560 × 364 | 610 × 490 | | | |
| Communication cable | | mm ² | 4 × 1,5 | 4 × 1,5 | | | |
| Recommended power cable | | mm ² | 3 × 4,0 | 3 × 4,0 | | | |
| Recommended air switch | | A | 20 | 25 | | | |
| EQUIPMENT | | | | | | | |
| Plasma generator | indoor | | - | - | | | |
| WiFi module | | | ✓ | ✓ | | | |
| Drain pump | | | - | - | | | |
| Max. lift (from bottom of ID unit) | | mm | | - | - | | |
| Dry contact (ON / OFF) | | | | - | - | | |
| Alarm contact | | | | - | - | | |
| Fresh air inlet | | | | - | - | | |
| Throttling method | outdoor | | EXV | EXV | | | |
| Bottom chassis heater | | | - | - | | | |
| Crankcase heater | | | - | - | | | |
| Bottom plugs for OD | | | | ✓ | ✓ | | |
| Drain pipe connector | | | | ✓ | ✓ | | |
| STANDARD ACCESSORIES | | | | | | | |
| Standard health filter | | | - | - | | | |
| Remote controller (IR) | | | YAP1F4 (WiFi) | YAP1F4 (WiFi) | | | |
| Wired controller | | | - | - | | | |
| OPTIONAL ACCESSORIES | | | | | | | |
| Optional health filters | | | - | - | | | |
| Wired controller | | | - | - | | | |
| Central controller | | | - | - | | | |

APPEARANCE AND DIMENSIONS OF UNIT



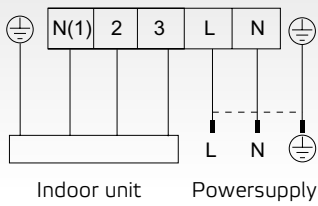
APPEARANCE AND DIMENSIONS OF OUTDOOR UNIT



| | A | B | C | D | E | F | G | H |
|----------|------|-----|-----|------|-----|-----|-----|-----|
| AST-24BI | 1770 | 507 | 320 | 965 | 700 | 396 | 560 | 364 |
| AST-48BI | 1882 | 587 | 394 | 1028 | 822 | 530 | 610 | 490 |

units: mm

ELECTRICAL WIRING DIAGRAM



WINDOW MONOBLOCK AIR CONDITIONERS

WINDOW SERIES

| MODEL | | | ASW-09BI | ASW-12BI | | |
|--|---------------------|-----------------------------------|-------------------|-------------------|--|--|
| Cooling capacity 1) | Nominal | kW | 2,7 | 3,7 | | |
| Power supply | Frequency / Voltage | Hz / V | 1~ / 50 / 220-240 | 1~ / 50 / 220-240 | | |
| Application area | | m ² | 12-18 | 16-24 | | |
| Power input cooling 1) | | W | 782 | 1030 | | |
| Maximal power input 2) | | W | 1100 | 1300 | | |
| Power current cooling | | A | 3,5 | 4,6 | | |
| Maximal power current 2) | | A | 5,5 | 6,5 | | |
| SEER | | | 5,2 | 5,4 | | |
| Energy class cooling | | | A | A | | |
| Air flow of ID | H/M/L | m ³ / h | 400/350/310 | 480/430/380 | | |
| Airflow of OD | H | m ³ / h | 800 | 1200 | | |
| Sound pressure of ID 4) | H/M/L | dB(A) | 50/48/46 | 50/48/46 | | |
| Sound pressure of OD 4) | H | dB(A) | 56/54/52 | 58/56/54 | | |
| Sound power of ID 4) | H/M/L | dB(A) | 59/57/55 | 59/57/55 | | |
| Sound power of OD 4) | H | dB(A) | 65/63/61 | 65/63/61 | | |
| Dehumidifying volume | | l / h | 1,0 | 1,6 | | |
| Refrigerant type / charge | | Type / kg / t eq. CO ₂ | R32 / 0,51 / 0,34 | R32 / 0,63 / 0,43 | | |
| Dimension | w × h × d | mm | 560 × 375 × 708 | 660 × 428 × 700 | | |
| Package dimension | w × h × d | mm | 623 × 425 × 806 | 739 × 505 × 793 | | |
| Weight | netto / brutto | kg | 43,0 / 47,0 | 50,0 / 54,0 | | |
| Set temperature range | | °C | 16-30 | 16-30 | | |
| Operating temperature range cooling 8) | | °C | 16-43 | 16-43 | | |
| STANDARD ACCESSORIES | | | | | | |
| Standard health filter | | | - | - | | |
| Remote controller (IR) | | | YX1F | YX1F | | |
| Wired controller | | | - | - | | |
| OPTIONAL ACCESSORIES | | | | | | |
| Optional health filters | | | - | - | | |
| Wired controller | | | - | - | | |
| Central controller | | | - | - | | |

The specification of products is subject to change based on further development of the units by the producer and can be changed without prior notice. Refer to rating label.

R32 (single component refrigerant HFC), GWP of refrigerant used: 675.

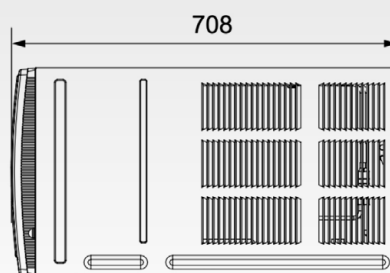
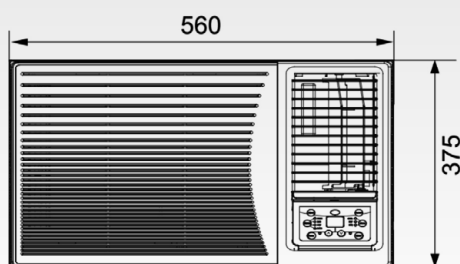
Contains fluorinated greenhouse gases covered by the Kyoto Protocol.

Hermetically sealed system.

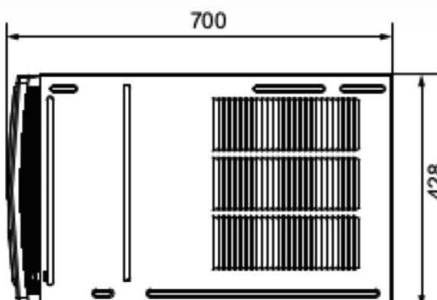
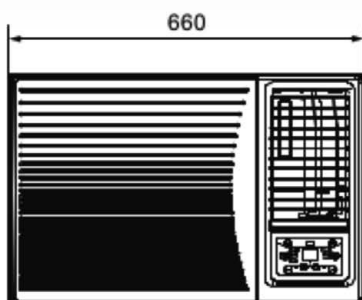
Explanatory notes on the very last page of the catalogue.

APPEARANCE AND DIMENSIONS OF UNITS

ASW-09BI



ASW-12BI



units: mm

MONOBLOCK AIR CONDITIONERS

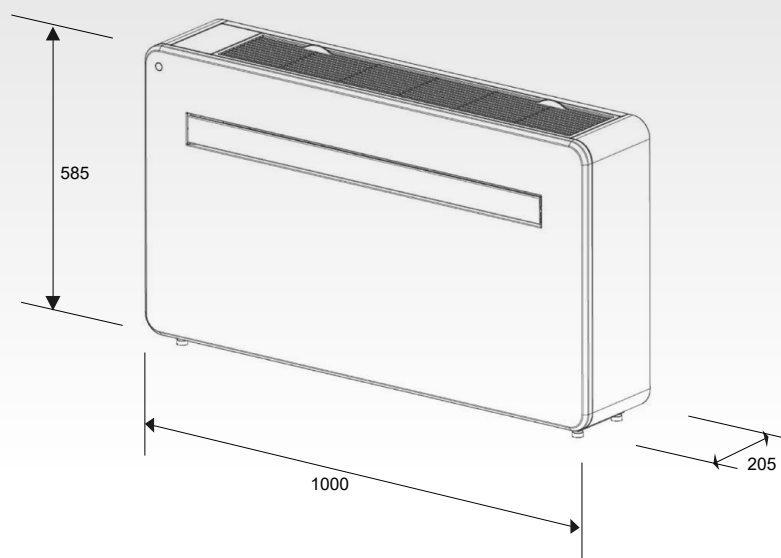
MONOBLOCK SERIES

| MODEL | | ASM-12PI | | | | | |
|-------------------------------------|---------------------|-----------------------------------|-------------------|--|--|--|--|
| Capacity cooling / heating 1) | Nominal | kW | 3,5 / 2,9 | | | | |
| Power supply | Frequency / Voltage | Hz / V | 1~ / 50 / 220-240 | | | | |
| Application area | | m ² | 25-30 | | | | |
| Power input cooling / heating 1) | | W | 1350 / 815 | | | | |
| Power current cooling / heating | | A | 6,0 / 4,0 | | | | |
| EER / COP | | | 2,6 / 3,1 | | | | |
| Energy class cooling / heating | | | A / A+ | | | | |
| Air flow of ID | | m ³ / h | 520 | | | | |
| Sound pressure level - INDOOR 4) | H/M/L/SL | dB(A) | 47/46/43/39 | | | | |
| Sound pressure level - OUTDOOR 4) | max. | dB(A) | 55 | | | | |
| Dehumidifying volume | | l / h | 1,2 | | | | |
| Refrigerant type / charge | | Type / kg / t eq. CO ₂ | R290 / 0,29 / - | | | | |
| Dimension | w × h × d | mm | 1000 × 585 × 205 | | | | |
| Package dimension | w × h × d | mm | 1120 × 665 × 335 | | | | |
| Weight | netto / brutto | kg | 43,5 / 49,5 | | | | |
| Set temperature range | | °C | 16-30 | | | | |
| Operating temperature range cooling | | °C | -5-43 | | | | |
| Operating temperature range heating | | °C | -7-43 | | | | |
| STANDARD ACCESSORIES | | | | | | | |
| Standard health filter | | | - | | | | |
| Remote controller (IR) | | | ✓ | | | | |
| Wired controller | | | - | | | | |
| WiFi module | | | ✓ | | | | |
| OPTIONAL ACCESSORIES | | | | | | | |
| Optional health filters | | | - | | | | |
| Wired controller | | | - | | | | |
| Central controller | | | - | | | | |

The specification of products is subject to change based on further development of the units by the producer and can be changed without prior notice. Refer to rating label.
 R290 (100% CH₃CH₂CH₃), GWP of refrigerant used: 3
 Hermetically sealed system. Explanatory notes on the very last page of the catalogue.

APPEARANCE AND DIMENSIONS OF UNIT

ASM-12PI



VEHICLE AIR CONDITIONERS

CAMPER TRAILER AIR CONDITIONER

| MODEL | | | ASV-25BS | ASV-35BS | | |
|----------------------------------|-------------------|-----------------------------------|-------------------|-------------------|--|--|
| Capacity cooling / heating 1) | Nominal | kW | 2,6 / 2,4 | 3,6 / 3,4 | | |
| Power supply | Frequency/Voltage | Hz / V | 1~ / 50 / 220-240 | 1~ / 50 / 220-240 | | |
| Power input cooling / heating 1) | | W | 1160 / 1000 | 1270 / 1170 | | |
| Maximal power input 2) | | W | 1600 | 1600 | | |
| Power current cooling / heating | | A | 4,7 / 4,2 | 4,7 / 4,2 | | |
| Maximal power current 2) | | A | 6,6 | 6,6 | | |
| EER / COP | | - | 2,3 / 2,2 | 2,8 / 2,7 | | |
| Airflow of ID | SH/H/ML | m³ / h | 330/250/200 | 350/270/220 | | |
| Airflow of OD | H/L | m³ / h | 600 | 600 | | |
| Sound pressure of ID 4) | SH/H/ML | dB(A) | 53/47/42 | 54/48/43 | | |
| Sound pressure of OD 4) | H/L | dB(A) | 53 | 54 | | |
| Sound power of ID 4) | SH/H/ML | dB(A) | 63/58/53/48 | 65/59/54/49 | | |
| Sound power of OD 4) | H/L | dB(A) | 75 / 65 | 75 / 65 | | |
| Dehumidifying volume | | l / h | 1,0 | 1,0 | | |
| IP protection | | - | IPX4 | IPX4 | | |
| Roof mounting hole | | mm | 400 × 400 | 400 × 400 | | |
| Roof thickness | | mm | 30-80 | 30-80 | | |
| Refrigerant type / charge | | Type / kg / t eq. CO ₂ | R32 / 0,47 / 0,32 | R32 / 0,47 / 0,32 | | |
| Dimension of ID | w × h × d | mm | 485 × 49 × 610 | 485 × 49 × 610 | | |
| Dimension of OD | w × h × d | mm | 720 × 283 × 1077 | 720 × 283 × 1077 | | |
| Package dimension of ID | w × h × d | mm | 547 × 109 × 668 | 547 × 109 × 668 | | |
| Package dimension of OD | w × h × d | mm | 783 × 322 × 1146 | 783 × 322 × 1146 | | |
| Weight of ID | net / gross | kg | 2,7 / 4,0 | 2,7 / 4,0 | | |
| Weight of OD | net / gross | kg | 35,0 / 44,0 | 35,0 / 44,0 | | |
| Set temperature range | | °C | 16-30 | 16-30 | | |
| Operating temperature range 8) | cooling | °C | 18-46 | 18-46 | | |
| | heating | °C | -5-24 | -5-24 | | |

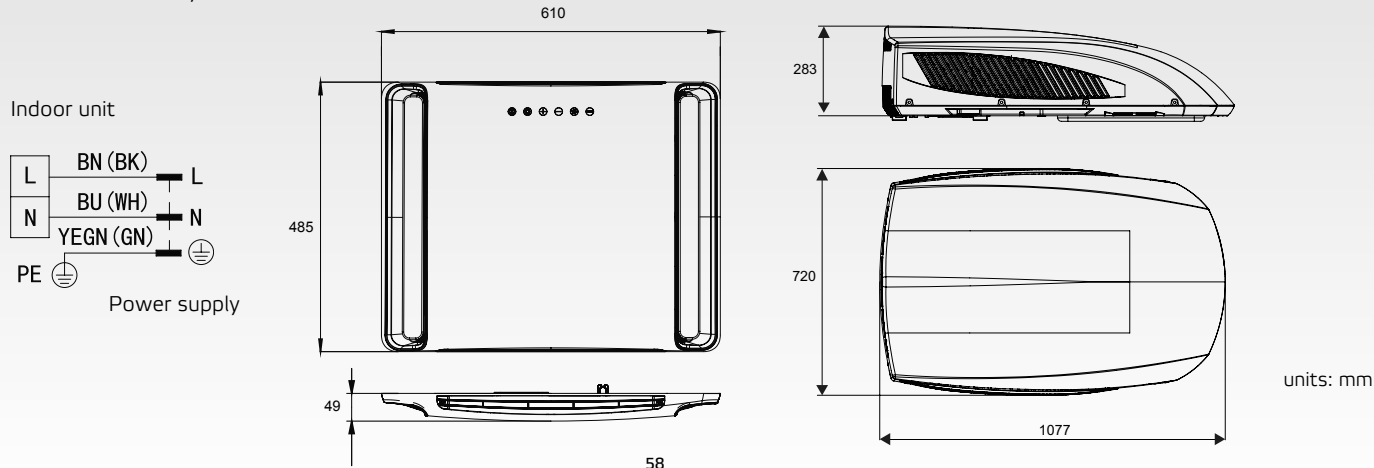
| EQUIPMENT | | | | | | |
|------------------------------------|---------|----|-----------|-----------|--|--|
| Plasma generator | indoor | | - | - | | |
| WiFi module | | | ✓ | ✓ | | |
| Drain pump | | | - | - | | |
| Max. lift (from bottom of ID unit) | | mm | - | - | | |
| LED light | outdoor | | ✓ | ✓ | | |
| Dry contact (ON / OFF) | | | - | - | | |
| Alarm contact | | | - | - | | |
| Fresh air inlet | | | - | - | | |
| Throttling method | | | Capillary | Capillary | | |
| Bottom chassis heater | | | - | - | | |
| Crankcase heater | | | - | - | | |
| Bottom plugs for OD | | | - | - | | |
| Drain pipe connector | | | - | - | | |

| STANDARD ACCESSORIES | | | | | | |
|-----------------------------|--|--|--------|--------|--|--|
| Standard health filter | | | - | - | | |
| Remote controller (IR) | | | YAM1F1 | YAM1F1 | | |
| Wired controller | | | - | - | | |
| Plastic adapter (400x400mm) | | | ✓ | ✓ | | |

| OPTIONAL ACCESSORIES | | | | | | |
|-------------------------|--|--|---|---|--|--|
| Optional health filters | | | - | - | | |
| Wired controller | | | - | - | | |

The specification of products is subject to change based on further development of the units by the producer and can be changed without prior notice. Refer to rating label. R32 (single component refrigerant HFC), GWP of refrigerant used: 675. Contains fluorinated greenhouse gases covered by the Kyoto Protocol. Hermetically sealed system. Explanatory notes on the very last page of the catalogue.

POWER SUPPLY, APPEARANCE AND DIMENSIONS OF UNITS



WATER-TO-AIR HEAT PUMP

BOAT SERIES

| MODEL | | | ASB-05A | ASB-09A | ASB-12A | ASB-16A | ASB-24A |
|--|---------------------|-----------------------------------|---------------------|---------------------|---------------------|---------------------|---------------------|
| Capacity cooling / heating 12) | Nominal (min-max) | kW | 1,1 / 1,4 | 2,1 / 2,2 | 3,1 / 3,2 | 3,2 / 4,0 | 6,4 / 6,7 |
| Power supply | | Hz / V | 1~ / 50 / 220-240 | 1~ / 50 / 220-240 | 1~ / 50 / 220-240 | 1~ / 50 / 220-240 | 1~ / 50 / 220-240 |
| Power input cooling / heating 1) | Frequency / Voltage | W | 560 / 530 | 900 / 880 | 1100 / 1100 | 1200 / 1300 | 1450 / 1750 |
| Maximal power input 2) | | W | 800 / 750 | 1350 / 1100 | 1600 / 1700 | 1650 / 1650 | 2400 / 2700 |
| Power current cooling / heating | | A | 3,5 / 3,4 | 4,9 / 4,8 | 6,1 / 6,0 | 6,0 / 6,1 | 6,8 / 8,2 |
| Maximal power current 2) | | A | 6,2 / 6,1 | 7,3 / 7,0 | 9,0 / 9,0 | 8,2 / 8,6 | 11,5 / 11,8 |
| EER / COP | | | 1,96 / 2,64 | 2,33 / 2,50 | 2,82 / 2,91 | 2,67 / 3,08 | 4,41 / 3,80 |
| Air flow of ID | H | m ³ / h | 320 | 450 | 466 | 590 | 951 |
| Sound pressure of ID 4) | H | dB(A) | 58 | 58 | 58 | 62 | 60 |
| Sound power of ID 4) | H | dB(A) | 68 | 68 | 68 | 72 | 70 |
| Refrigerant type / charge | | Type / kg / t ekv.CO ₂ | R410A / 0,32 / 0,67 | R410A / 0,34 / 0,71 | R410A / 0,53 / 1,11 | R410A / 0,46 / 0,96 | R410A / 0,95 / 1,98 |
| Dimension of ID | w × h × d | mm | 285 × 408 × 295 | 380 × 408 × 310 | 380 × 420 × 330 | 450 × 465 × 330 | 595 × 529 × 386 |
| Package dimension of ID | w × h × d | mm | 594 × 493 × 360 | 683 × 513 × 360 | 608 × 533 × 395 | 663 × 558 × 395 | 853 × 638 × 440 |
| Weight of ID | netto / brutto | kg | 25,5 / 30,0 | 28,0 / 33,0 | 33,0 / 38,0 | 37,5 / 43,5 | 60,5 / 68,0 |
| Set temperature range | | °C | 16-30 | 16-30 | 16-30 | 16-30 | 16-30 |
| Operating temperature range cooling 8) | | °C | 16-43 | 16-43 | 16-43 | 16-43 | 16-43 |
| Operating temperature range heating 8) | | °C | -10-30 | -10-30 | -10-30 | -10-30 | -10-30 |
| Operating temperature range cooling 8) | water | °C | 10-35 | 10-35 | 10-35 | 10-35 | 10-35 |
| Operating temperature range heating 8) | water | °C | 4-25 | 4-25 | 4-25 | 4-25 | 4-25 |
| STANDARD ACCESSORIES | | | | | | | |
| Standard health filter | | | | | - | | |
| Remote controller (IR) | | | | | YX1F | | |
| Wired controller | | | | | ✓ | | |

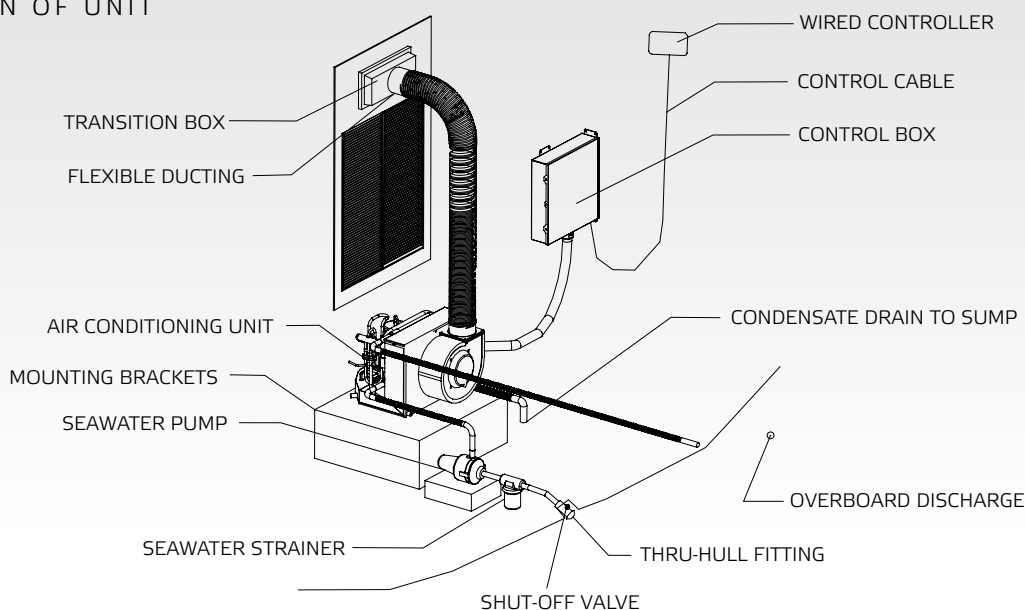
The specification of products is subject to change based on further development of the units by the producer and can be changed without prior notice. Refer to rating label.

R410A (50% HFC-32, 50% HFC-125), GWP 2088

Contains fluorinated greenhouse gases covered by the Kyoto Protocol.

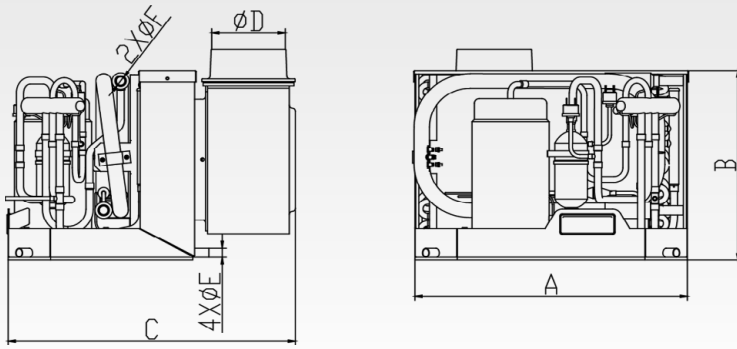
Explanatory notes on the very last page of the catalogue.

INSTALLATION OF UNIT



APPEARANCE, DIMENSIONS AND WIRING OF UNITS

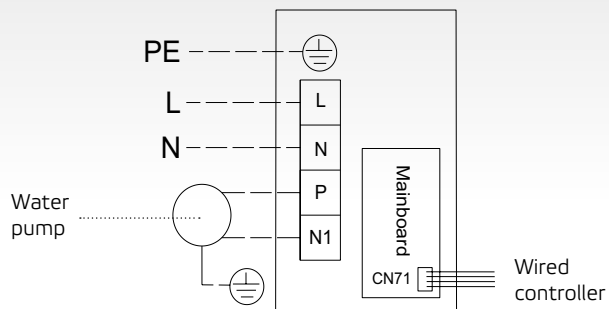
BOAT SERIES



units: mm

| | A | B | C | D | E | F |
|---------|-----|-----|-----|-------|----|----|
| ASB-05A | 285 | 295 | 408 | 91,5 | 16 | 19 |
| ASB-09A | 380 | 310 | 408 | 91,5 | 16 | 19 |
| ASB-12A | 380 | 330 | 420 | 119,4 | 16 | 19 |
| ASB-16A | 450 | 330 | 465 | 119,4 | 16 | 19 |
| ASB-24A | 529 | 386 | 595 | 119,4 | 16 | 19 |

ELECTRICAL WIRING DIAGRAM



PACKAGE CONTENTS

| | Package Include |
|---|-----------------|
| Wired Controller | ✓ |
| Remote Controller | ✓ |
| Communication Cable of Wired Controller (8 m) | ✓ |
| Power Supply Wire | - |
| Inlet / Outlet water pipe | - |
| Fixed board | - |
| Condensing drain pipe | - |
| Flexible Ducting | - |
| Air Diffuser | - |
| Air Return Grill | - |
| Water pump | - |
| Filter | - |

LOCAL AIR CONDITIONERS

| MODEL | | | AMC-11P | AMC-14P | | |
|---------------------------|---------------------|--------------------|-------------------|-------------------|--|--|
| Capacity | Cooling | kW | 3,0 | 4,0 | | |
| | Heating | kW | 3,0 | 4,0 | | |
| Optimal room size | | m ² | 15-25 | 25-35 | | |
| Power supply | Frequency / Voltage | Hz / V | 1~ / 50 / 220-240 | 1~ / 50 / 220-240 | | |
| Rated current | | A | 5,2 | 6,5 | | |
| Power input | Cooling / Heating | W | 1150 / 965 | 1535 / 1290 | | |
| EER / COP | | | 2,6 / 3,1 | 2,6 / 3,1 | | |
| Energy class | Cooling / Heating | | A / A++ | A / A++ | | |
| Noise - indoor unit | | dB(A) | 56 | 56 | | |
| Air flow | | m ³ / h | 450 | 450 | | |
| Dehumidifying volume | | l / h | 2,1 | 2,9 | | |
| Refrigerant type / charge | | Type / kg | R290 / 0,23 | R290 / 0,27 | | |
| Dimension | w × h × d | mm | 300 × 760 × 532 | 300 × 760 × 532 | | |
| Package dimension | w × h × d | mm | 370 × 855 × 620 | 370 × 855 × 620 | | |
| Net / gross weight | | kg | 28,5 / 32,3 | 30,6 / 34,2 | | |
| Operating temperature | Cooling | °C | 17-32 | 17-32 | | |
| | Heating | °C | 7-25 | 7-25 | | |

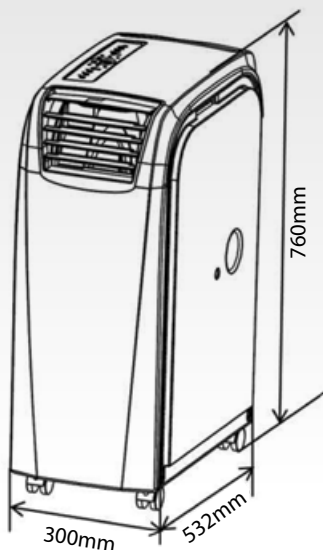
The specification of products is subject to change based on further development of the units by the producer and can be changed without prior notice. Refer to rating label.

R290 (100% CH₃CH₂CH₃), GWP of refrigerant used: 3

Hermetically sealed system.

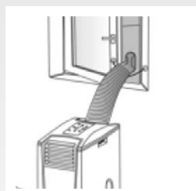
Explanatory notes on the very last page of the catalogue.

APPEARANCE AND DIMENSIONS OF UNITS

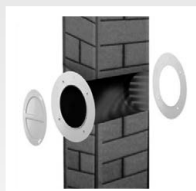


units: mm

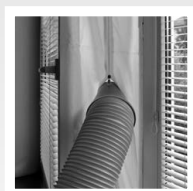
ACCESSORIES



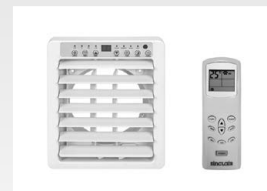
AMC-WINK
WINDOW KIT
(standard)



AMC-WK
WALL KIT
(optional)



WK-400A
WINDOW KIT
(optional)



AK-15A
(optional)

MOBILE DEHUMIDIFIERS

| MODEL | | | CFO-16P | CFO-20P | CFO-40P | | |
|--------------------------------|-----------|--------------------|-------------------|-------------------|-------------------|--|--|
| Dehumidifying volume | | l / day | 16,0 | 20,0 | 40,0 | | |
| Power supply | | Hz / V | 1~ / 50 / 220-240 | 1~ / 50 / 220-240 | 1~ / 50 / 220-240 | | |
| Power input / Max. power input | | W | 220 / 245 | 360 / 450 | 670 / 900 | | |
| Rated current | | A | 1,1 | 2,1 | 4,0 | | |
| Sound pressure level | | dB | 41 / 38 | 43 / 41 / 39 | 48 / 45 / 42 | | |
| Air flow | | m ³ / h | 115 / 100 | 130 / 115 / 105 | 230 / 195 / 170 | | |
| Water tank volume | | L | 2,5 | 3,5 | 6,5 | | |
| Optimal room size | | m ² | 20 | 28 | 48 | | |
| Refrigerant type / charge | | Type / kg | R290 / 0,085 | R290 / 0,11 | R290 / 0,15 | | |
| Dimension | w × h × d | mm | 305 × 490 × 192 | 363 × 577 × 245 | 396 × 625 × 286 | | |
| Package dimension | w × h × d | mm | 345 × 540 × 230 | 428 × 602 × 311 | 448 × 338 × 638 | | |
| Net / gross weight | | kg | 10,5 / 11,5 | 15,5 / 17,0 | 22,5 / 24,5 | | |
| Operating temperature | | °C | 5-32 | 5-32 | 5-32 | | |

R290 (100% CH₃CH₂CH₃)

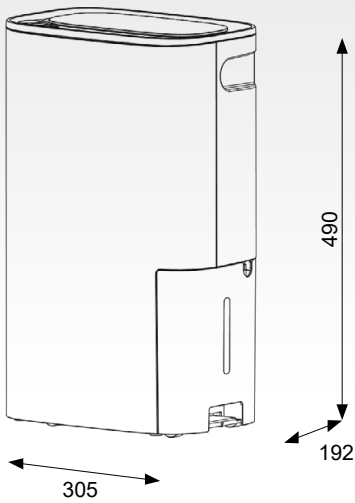
The values stated in the sheet are complying with norm EN810

Dehumidifying volume is measured according to EN60335-2-40, test conditions: DB 30%, RH 80%

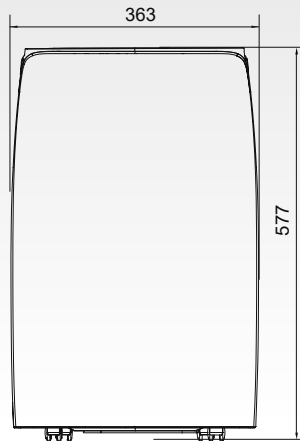
Hermetically sealed system.

APPEARANCE AND DIMENSIONS OF UNITS

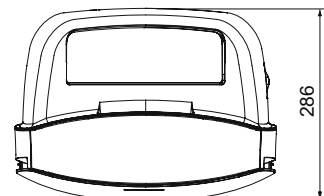
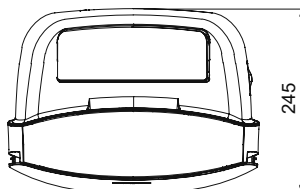
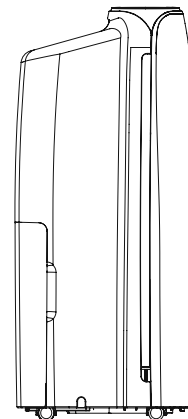
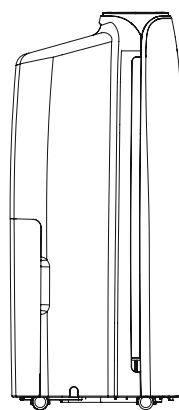
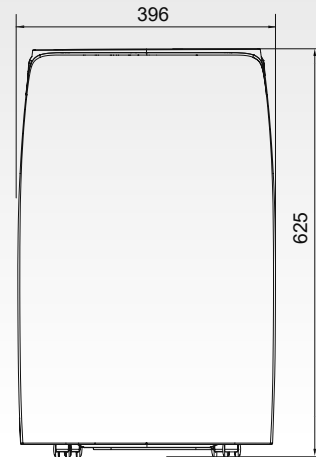
CFO-16P



CFO-20P



CFO-40P



units: mm

PORTABLE DEVICES

AIR PURIFIER

| MODEL | | | SP-45A | SP-75UV | | | |
|-----------------------|-----------|--------------------|-------------------|-------------------|--|--|--|
| Power supply | | Hz / V | 1~ / 50 / 220-240 | 1~ / 50 / 220-240 | | | |
| Power input | | W | 80 | 70 | | | |
| Rated current | | A | 0,4 | 0,3 | | | |
| Sound pressure level | | dB | 19-51 | 22-57 | | | |
| Cleaning volume | | m ³ / h | 340 | 600 | | | |
| Optimal room size | | m ² | 10-45 | 10-75 | | | |
| Dimension | w × h × d | mm | 374 × 594 × 201 | 320 × 745 × 320 | | | |
| Package dimension | w × h × d | mm | 433 × 667 × 260 | 378 × 853 × 378 | | | |
| Net / gross weight | | kg | 6,8 / 8,5 | 9,7 / 11,0 | | | |
| Operating temperature | | °C | 0-40 | 0-40 | | | |

APPEARANCE AND DIMENSIONS OF UNITS

SP-45A



Standard:

- 1pc HEPA filter
- 1pc active carbon filter
- 1pc cotton filter

Optional:

- SPF-45: replaceable dust filters

SP-75UV



Standard:

- filter SPF-75 (HEPA H13, active carbon filter and cotton filter)

Optional:

- SPF-45: replaceable dust filters

COMMUNICATION MODULE SCMI-01.4



LOW GOAL TEMPERATURE UP TO -10 °C

- SCMI-01.4 offers 3 basic operation modes:
 - Autonomous temperature control mode: The system changes its performance in order to achieve set temperature measured with T2 sensor. You can set temperature from -10 °C to +55 °C
 - Slave unit mode – operated: You set the compressor performance directly via 0-10V input. Evaporating temperature depends on compressor performance and other conditions
 - Autonomous pressure (evaporating temperature) control mode for cooling only: The compressor performance changes based on evaporating pressure. You can set the pressure which corresponds with temperatures from -10 °C to +55 °C.
- Control of separate condensing units of UNI SPLIT series
- Direct operation mode (cooling) or reverse operation mode (heating)
- Control of FMD modules
- Password protected setting
- Language options
- Pre-setting of all parameters via USB Communicator software
- DIN rail compatible – 4M wide, installation in power distribution unit

DEFAULT SETTINGS

| Function | | Operated | |
|------------|-----------------------|------------|--------|
| Goal Temp. | C (cooling) | +10,0 °C | |
| | H (heating) | +25,0 °C | |
| Outputs | Relay 1 | Function | On/Off |
| | | Logic | Direct |
| | Relay 2 | Compressor | |
| | Relay 3 | Error | |
| | DC fan | Off | |
| Regulation | Time constant | 30sec | |
| | Proportional constant | 35 | |
| | Integration constant | 0 | |
| | Derivation constant | 60 | |

TECHNICAL PARAMETERS

| | | |
|---------------------------|--|----------------|
| Power supply | V / Hz | 230 / 50 ±10% |
| Rated power input | VA | 15 |
| Dimension (wxhxd) | mm | 90 × 71 × 58 |
| Package dimension (wxhxd) | mm | 120 × 100 × 80 |
| Net / gross weight | kg | 0,21 / 0,35 |
| Storage temperature | °C | -25 ~ +70 |
| Operating temperature | °C | -10 ~ +55 |
| Outputs | 3x output relays 230 / 2V | |
| Inputs | communication input | |
| | 2x input for temperature sensors; input for FMD modules (VE+, VE-) | |
| | 1x voltage input 0-10V, resistance 100kΩ | |
| | 1x current input for pressure sensor 0-18bar | |
| Standard accessories | 2x temperature sensor NTC015WF00 (10kΩ; B=3435) | |
| Optional accessories | Pressure sensor Alco Controls PT5-18M | |

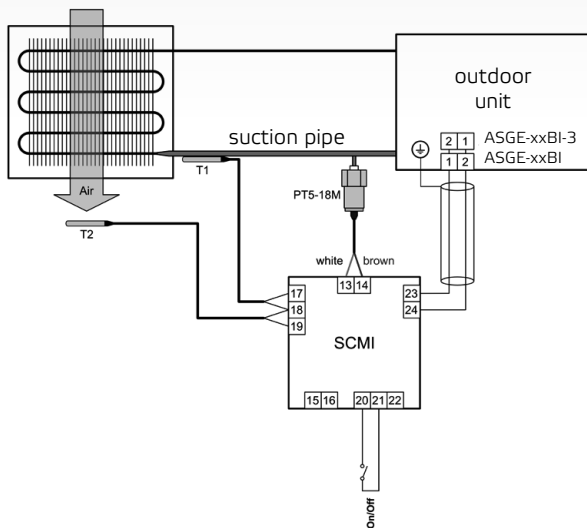
CONDENSING UNITS ASGE-XXBI, ASGE-XXBI-3

- Automatic protection of outdoor unit
- Automatic defrost of outdoor unit
- Informational error display placed on the main board.
- EC fan motor
- Electronic expansion valve as standard accessory
- Connection valves and terminal block on right side
- Compressor heater as standard accessory
- Bottom heater as optional accessory



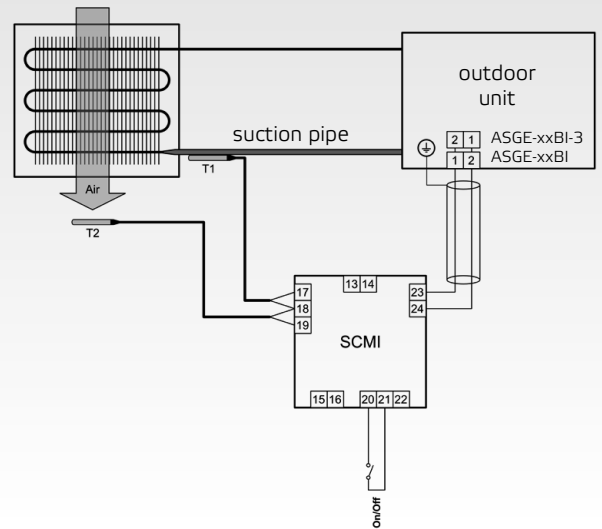
AUTONOMOUS TEMPERATURE CONTROL MODE FOR COOLING AND HEATING

Performance of the outdoor unit compressor is controlled to keep the temperature set for cooling/heating/ mode combi. The room temperature is measured with the resistance thermometer T2. It is necessary to set the requested temperature for cooling and heating manually. Use "21" and "22" non-potential contacts for switching between cooling and heating mode.



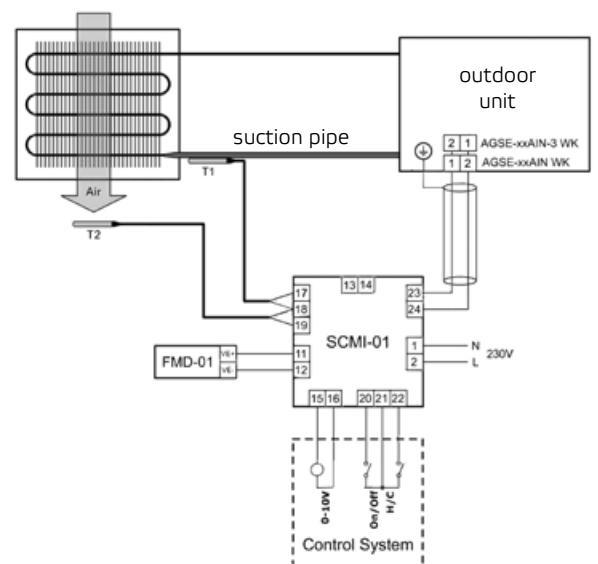
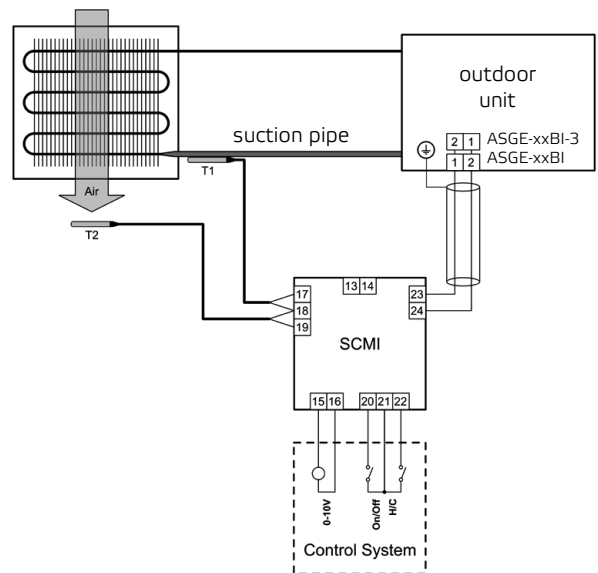
SLAVE UNIT MODE - OPERATED

Performance of the outdoor unit compressor is controlled with SCMI-01.4 module according to direct voltage 0-10V from an external supply. The voltage value corresponds with the desired compressor performance 0-100%. The unit can work in both modes – cooling and heating, H/C connectors are used for switching the modes.

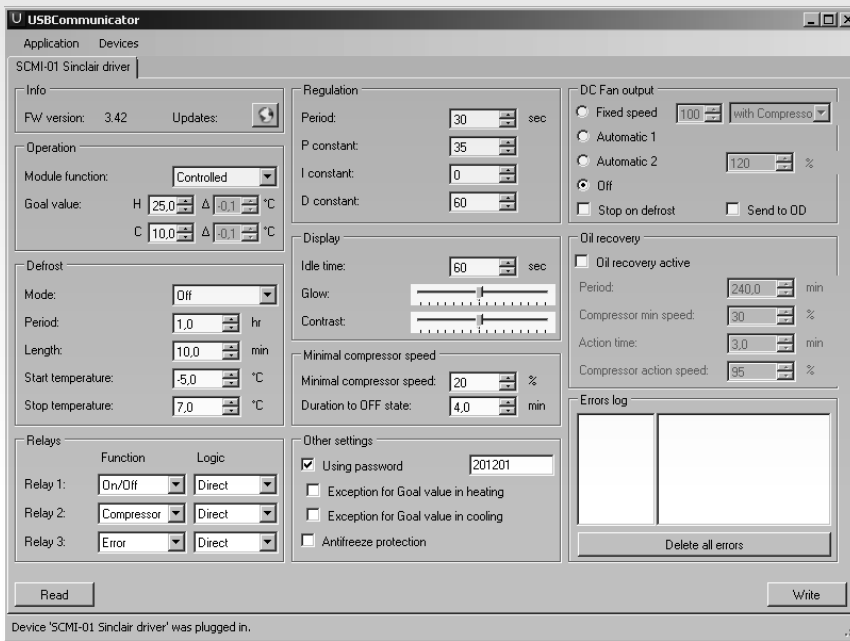


AUTONOMOUS PRESSURE (EVAPORATION TEMPERATURE) CONTROL FOR COOLING

Performance of the outdoor unit compressor is controlled to keep the requested cooling temperature recalculated to appropriate refrigerant (R32) pressure.



USB COMMUNICATOR



SOFTWARE FOR SCMI-01.4 CONTROL

- Distant setting
- Quick summary of all settings
- Language options (EN, DE, PL, CZ, HU, HR)
- Password setting
- View of error history, history eraser

FMD MODULES

FMD modules are used to control speed of DC fan motors.

FMD-01

Designed to control fan motors of indoor units from UNI SPLIT series*. The fan speed is controlled via SCMI-01.4 module.



* ASD-xxBI, ASC-xxBI, ASF-xxBI except ASD-48BI, ASD-60BI

FMD-01T

Designed to control fan motors of indoor units from UNI SPLIT series*. The fan speed is controlled via multi-turn trimmer.



OTHER FUNTIONS

SELF-DIAGNOSIS

- Stopping the system when failure has been detected
- Error code displaying on SCMI-01.4
- Automatic defrost

HEALTH FILTERS FOR WALL MOUNTED UNITS

SAF-OPWC4

CATECHIN FILTER

Catechin is a green tea extract added to the filters for its oxidizing and sterilizing effects. Active enzymes form a benzene nucleus which absorbs odors and harmful substances in the air. Catechin filter effectively captures and sterilizes dust particles. It is antibacterial and destroys more than 95% of bacteria, e.g., *Staphylococcus aureus*.

SAF-OPWA4

ACTIVE CARBON FILTER

Active carbon is an excellent absorbent with capability of dual absorption: physical and chemical, as from air and from fluids. Quickly absorbs harmful gases, e.g. benzene, formaldehyde and ammonia.

SAF-OPWB4

BIOLOGICAL FILTER

This filter is made of a material with excellent properties of sterilizing and capture of dust. When air flows through the filter, dust and bacteria are retained on the filter surface, which is bio-bactericidal. In case of attachment of microbes, bio-bactericidal surface disrupts its metabolism and limits its growth. Efficiency of capturing of *Escherichia coli* and *Staphylococcus aureus* is higher than 95%.

SAF-OPWS4

SILVER ION FILTER

Silver ion filter is an entirely new kind of powerful sterilizing product. Silver ions are odorless and colorless and have no side effects, such as irritation, pollution or volatility. After sterilization the ions recycle themselves, therefore have a long lifespan and effectively prevent bacterial growth. The filter is also environmentally friendly and completely safe. It is highly efficient and destroys over 99% of the bacteria. Silver ions themselves attract bacteria and microorganisms, pass through the cell membrane and inhibit the cleavage activity of the bacteria. Disrupts DNA structure of bacteria and microorganisms, causing a loss of reproductive ability of bacteria.

SAF-OPWP4

PHOTOCATALYST FILTER

Photocatalytic filter reduces odors and germs via its ultraviolet light. Effectively purifies the air and keeps it fresh. Titan TiO₂ contained in this filter has a strong photocatalytic effect, but it is also environmentally friendly. Removes from the air more than 90% of acetic acid, formaldehyde, ammonia and more than 70% of renewable pollutants.

SAF-OPWK4

COLD CATALYST FILTER

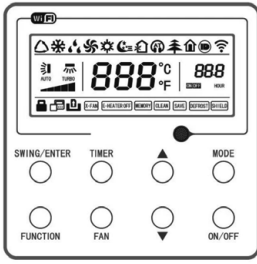
The basic material of the filter are polyurethane (PU) and various catalytic fibers. Effectively captures and removes formaldehyde and other volatile organic compounds (VOCs), as well as harmful gases and odors. The catalyst filter can remove up to 92,9% of formaldehyde from the air within 2,5 hours.

SAF-OPWM4

ANTI-MITE FILTER

Using this filter, you can quickly remove up to 90% of the dust mites from the air. This filter is especially useful for people suffering from allergies and asthma.

WIRED CONTROLLERS

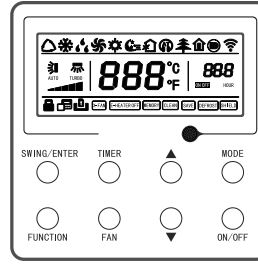


It is necessary to order communication cable SC-H01 or SC-CDF for this controller when ordered separately.

SWC-04

WIRED CONTROLLER

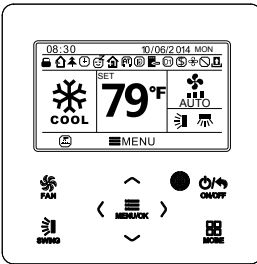
Standard accessory for new (BI2) duct and cassette MULTI VARIABLE units. Optionally can be connected to the indoor units of MULTI VARIABLE, RAY, KEYON, TERREL, SPECTRUM PLUS, SPLIT CONSOLE series. The controller allows direct communication with external MODBUS RTU system and contains WIFI module.



XK117

WIRED CONTROLLER

Standard accessory for indoor units of UNI SPLIT series.

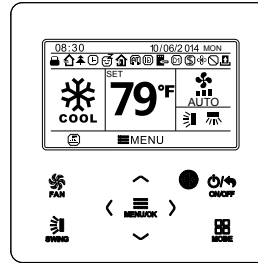


It is necessary to order communication cable SC-H01 or SC-CDF for this controller.

SWC-02

WIRED CONTROLLER

Optional wired controller with weekly timer for the indoor units of MULTI VARIABLE, RAY, KEYON, TERREL, SPECTRUM PLUS, SPLIT CONSOLE series. Contains MODBUS gateway.



SWC-03U

WIRED CONTROLLER

Updated optional wired controller with daily, weekly and two-weeks timer to the indoor units of UNI SPLIT series. Contains IR reciever.



SC-H01

Cable for connection R32 split wall mounted units or MULTI VARIABLE wall mounted, console units or split CONSOLE units with wired controllers SWC-02 or SWC-04. Length of cable is about 8 meters.

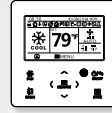
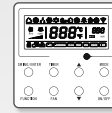
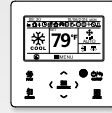
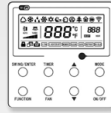


SC-CDF

Cable for connecting MULTI VARIABLE cassette, duct or floor-ceiling indoor units with wired controllers SWC-02 or SWC-04. Length of cable is about 8 meters.

TECHNICAL PARAMETERS

WIRED CONTROLLERS



| Model | SWC-04 | SWC-02 | XK117 | SWC-03U | |
|-------------------------------------|--|-----------------|----------------|--------------|----------------|
| On / Off | ✓ | ✓ | ✓ | ✓ | |
| Mode selection | ✓ | ✓ | ✓ | ✓ | |
| Temperature setting | ✓ | ✓ | ✓ | ✓ | |
| Fan control | ✓ | ✓ | ✓ | ✓ | |
| Swing louver | ✓ | ✓ | ✓ | ✓ | |
| Save function setting | ✓ | ✓ | ✓ | ✓ | |
| Room temperature display | ✓ | ✓ | ✓ | ✓ | |
| Buttons lock | ✓ | ✓ | ✓ | ✓ | |
| Function lock | - | ✓ | ✓ | ✓ | |
| On / Off timer | ✓ | ✓ | ✓ | ✓ | |
| Daily timer | - | ✓ | - | ✓ | |
| Weekly schedule timer | - | ✓ | - | ✓ | |
| Two week schedule timer | - | ✓ | - | ✓ | |
| Auto restart | ✓ | ✓ | ✓ | ✓ | |
| Turbo mode | ✓ | ✓ | ✓ | ✓ | |
| Blow (X-fan) mode | ✓ | ✓ | ✓ | ✓ | |
| Quiet function | ✓ | ✓ | - | ✓ | |
| Sleep curve setting | ✓ | ✓ | ✓ | ✓ | |
| Clock display | - | ✓ | - | ✓ | |
| Remote signal receiver | ✓ | - | ✓ | ✓ | |
| Clean filter reminder | - | ✓ | - | ✓ | |
| Error check function | ✓ | ✓ | ✓ | ✓ | |
| Unit parameters view | - | ✓ | - | ✓ | |
| °F / °C display | ✓ | ✓ | - | ✓ | |
| Slave / master controller setting | - | - | ✓ | - | |
| 8 °C heating mode | ✓ | - | ✓ | ✓ | |
| Low temperature drying mode (12 °C) | - | - | ✓ | ✓ | |
| Forced defrost mode | ✓ | ✓ | ✓ | ✓ | |
| Setting (debugging) menu: | Error code history | ✓ | ✓ | ✓ | |
| | Address setting for central controlling | ✓ | ✓ | ✓ | |
| | Ambient temperature sensor setting | ✓ | ✓ | ✓ | |
| | Fans speed level setting | ✓ | ✓ | ✓ | |
| | Antifreeze protection of evaporator (E2) display | - | ✓ | ✓ | |
| | Refrigerant leakage protection display | - | ✓ | ✓ | |
| | Blow function setting | - | - | ✓ | |
| | Crankcase heater setting | - | - | ✓ | |
| | Stand-by power consumption setting | - | - | ✓ | |
| | On / Off contact activation | - | ✓ | ✓ | |
| | External device setting | - | - | ✓ | |
| | Fan speed setting | - | - | ✓ | |
| | Temperature compensation setting | - | ✓ | ✓ | |
| | AUTO mode selection | - | - | ✓ | |
| | Defrost mode selection | - | - | ✓ | |
| Heat pump enabled | ✓ | - | ✓ | | |
| Connection | SC-H01 / SC-CDF | SC-H01 / SC-CDF | 2-core wire | 2-core wire | |
| Dimension | w × h × d | 86 × 98 × 39 | 112 × 112 × 22 | 86 × 98 × 39 | 112 × 112 × 22 |

CENTRAL CONTROLLERS

SCC-36



CENTRAL CONTROLLER AND WEEKLY TIMER

- Stylish central controller with 7" touch screen
- Connects up to 36 indoor units
- User friendly interface
- Weekly timer
- Single or all units control

It can be used with UNI SPLIT series (has to be connected via Modbus gateway SMG-01 – each indoor unit has to have one SMG-01) or when connected via wired controller SWC-02 or SWC-04 and communication cable SCC-36K it can be used with MULTI VARIABLE series, R32 wall mounted split units or split CONSOLE series (each indoor unit has to have one SWC-02 (SWC-04) and two SCC-36K).

SCC-36K



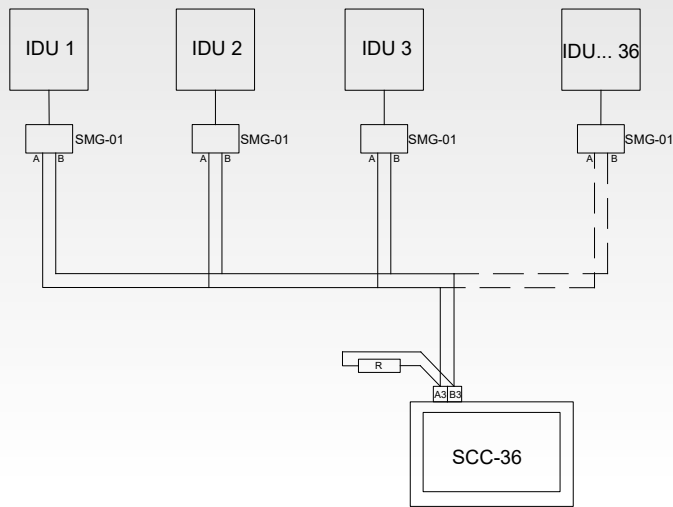
COMMUNICATION CABLE FOR CENTRAL CONTROLLER SCC-36

Used for connection of indoor units with central controller SCC-36 and wired controller SWC-02 or SWC-04 (for MULTI VARIABLE series, R32 wall mounted units or split Console series).

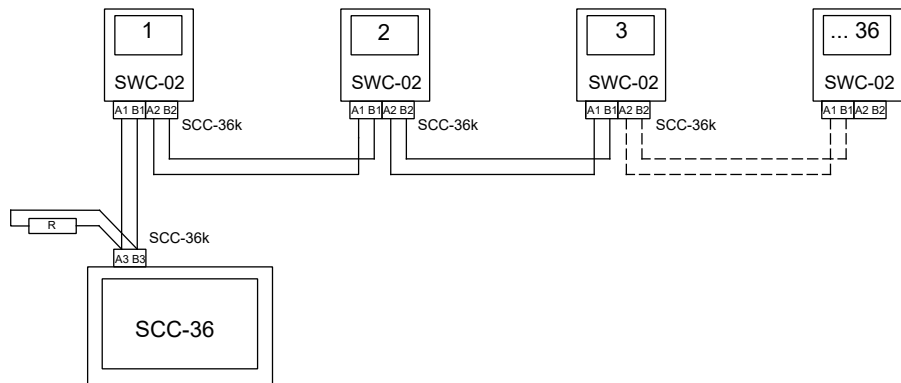
Order in amount 2N-1 where N is number of indoor units.

CONNECTING SCHEMAS

Central controller SCC-36 with UNI SPLIT series



Central controller SCC-36 with multi variable, R32 wall mounted or split console series



OTHER ACCESSORIES

SBG-01



BACNET GATEWAY

Bacnet gateway allows external control via Bacnet protocol. One gateway can communicate with up to 255 indoor units. The connection is done via SWC-02, SWC-04 or SMG-01, so the gateway is compatible with UNI SPLIT series and with all indoor units that allow connection of SWC-02 or SWC-04 wired controller.

SCMI-03S



CONTROL MODULE

Control module for Air Conditioners in Server Rooms

- For 2 air conditioners in same room
- Periodic switching of the units
- Turning on the 2nd unit when there is lack of capacity
- Error signalization when limit temperature is exceeded

SWM-03



SINCLAIR WIFI MODULE FOR UNI SPLIT SERIES

WIFI module can be connected to indoor unit to achieve long distance control with smart phone or tablet. SWM-03 is optional accessory for UNI SPLIT units.

SMG-01



MODBUS GATEWAY FOR UNI SPLIT SERIES

Enables the communication of indoor units of UNI SPLIT series via the Modbus protocol. It can be used for connecting SCC-36 central controller or for connection of external control system using Modbus protocol. Control software is not included, it has to be field supplied.

SDG-01



SINCLAIR DRY CONTACT GATEWAY

Dry contact gateway allows to externally turn the unit on or off and switch its modes. Module is also equipped with more functions like signalizing of malfunction, etc.

OTHER ACCESSORIES

G2S-T



GSM MODULE FOR TEMPERATURE MONITORING

G2S-T module is used for remote monitoring of room temperature. When the set temperature is exceeded, the module sends an information to user's mobile phone. Hence the module has to be equipped with a mini SIM card in order to secure the operation. G2S-T is stand-alone device, there is no connection between the module and the air conditioner itself. Therefore you can use our G2S-T module for all kinds of applications involving installations with devices of another brands.

SAI-01



ALARM INTERFACE

The SAI-01 SINCLAIR Alarm Interface is an external, separately powered module, which can be connected to the communication line of wall-mounted air conditioner to indicate the operational or malfunction status of the A/C.

SYSTEM ERROR DIAGNOSTICS

SDT-ASH

DIAGNOSTIC TOOL FOR SPLIT WALL MOUNTED AC

- Indoor and outdoor unit diagnostic
- Running parameters
- Simulation run of indoor or outdoor unit
- Test of indoor and outdoor mainboard during communication malfunction
- IR receiver (can be used during outdoor unit's test run)
- User friendly (just 4 buttons)
- Simple display (4 lines)
- No need for other accessories
- Connected to terminal board of units

SDT-MV

DIAGNOSTIC TOOL FOR MULTI SPLIT AC

- Compatible with Multi Variable, Multi System and High Power Multi System series
- Automatic detection of connected units
- User friendly interface
- Running parameters of whole system
- Connected to outdoor unit's mainboard
- 3 diodes (power supply, running, error)
- Power supply: USB connector (cable is included in the package, 5V adapter is field supplied)



TECHHELP

SINCLAIR TECHHELP APP

- This practical tool is used for identification of error codes and their brief analysis.
- List of our products and their error codes, brief description of each error and suggested solution together with possible causes.
- Search comfortably by error code or device name
- Save the already installed devices between "My Devices" and have relevant information about errors available immediately




The app is available at below mentioned web page. Login is required, please use following user name and password. Installing of an application requires permission to install applications from unknown sources.

| | | |
|-----------|--------------------------------|---|
| EN | User name: SinclairTechHelp.en |  |
| | Password: TechHelp1 | |
| DE | User name: SinclairTechHelp.de |  |
| | Password: TechHelp1 | |
| HU | User name: SinclairTechHelp.hu |  |
| | Password: TechHelp1 | |
| PL | User name: SinclairTechHelp.pl |  |
| | Password: TechHelp1 | |



For downloading of Sinclair tech Help application use the App Store and the following password:

| | | |
|-----------|------------------|---|
| EN | Password: 100285 |  |
| | | |

GENERAL OVERVIEW OF ERROR CODES

APPLIES TO WALL MOUNTED SPLIT UNITS AND TO MULTI VARIABLE SERIES

| ERROR | | Others | |
|-------------------|--|--------|---|
| E0 | Start-up protection to adjust the frequency when the power input is low | AL | X-fan |
| E1 | High pressure protection | C5 | Malfunction of jumper cap |
| E2 | Freeze protection | C6 | Ground wire missing |
| E3 | Low pressure protection, refrigerant lacking protection | CC | Wrong wired controller / locked buttons |
| E4 | Compressor high discharge temperature protection | CP | Protection from cold air blowing |
| E5 | Overcurrent protection of the complete unit | EE | Malfunction of outdoor main control memory chip |
| E6 | Communication malfunction | ee | Malfunction of outdoor drive module memory chip |
| E7 | Mode conflict | EU | Limit / decrease frequency due to module temperature protection |
| E8 | Malfunction of indoor fan motor | H0 | Decrease frequency for high temperature resistant in heating mode |
| E9 | Full water protection | H1 | Defrosting |
| Failure | | H2 | Electrostatic dedust protection |
| F0 | Refrigerant lacking / system blockage protection | H3 | Overload protection of compressor |
| F1 | Indoor ambient temperature sensor is open / short circuited | H4 | Overload protection |
| F2 | Indoor evaporator temperature sensor is open / short circuited | H5 | IPM protection (module current protection) |
| F3 | Outdoor ambient temperature sensor is open / short circuited | H6 | Malfunction of indoor fan motor |
| F4 | Outdoor condenser temperature sensor is open / short circuited | H7 | Desynchronizing of compressor |
| F5 | Outdoor discharge temperature sensor is open / short circuited | H8 | Water overflow protection |
| F7 | Condenser overheat protection, lowering compressor frequency | H9 | Electric heater malfunction |
| F8 | Oil return cycle | Hc | PFC protection |
| F9 | Limit / decrease frequency due to current protection of the complete unit | HE | Demagnetizing protection of compressor |
| FA | Decrease frequency due to high air discharge | Hp | Evaporator temperature is higher than 58 °C (heating mode) |
| FH | Limit / decrease frequency due to high evaporator or condenser temperature | JF | Malfunction of Wi-Fi module |
| Fo | Limit / decrease frequency due to freeze protection | L3 | Malfunction of ODU DC fan motor |
| Protection | Gathering refrigerant | L9 | Power input protection |
| P0 | Drive module reset protection | Lp | Indoor unit and outdoor unit do not match |
| P5 | Overcurrent protection of compressor | U1 | Malfunction of phase current circuit detection for compressor |
| P6 | Communication malfunction between main control and drive | Ld | Compressor phase lack protection |
| P7 | Malfunction of module temperature sensor circuit | U3 | Malfunction of voltage drooping of DC bus-bar |
| P8 | Module high temperature protection | U4 | Compressor is reversing |
| P9 | Zero-crossing protection | U5 | Malfunction of complete unit's current detection |
| PL | Voltage of DC bus-bar is too low | U6 | High temperature protection of oil |
| PH | Voltage of DC bus-bar is too high | U7 | The 4-way valve is abnormal |
| PU | Charging malfunction of capacitor | | |
| PP | Input voltage is abnormal | | |

* Does not apply to UNI SPLIT SERIES

GENERAL OVERVIEW OF ERROR CODES

| | | | |
|----|--|----|---|
| E1 | Phase sequence error | P1 | High pressure protection or high temperature protection of discharge sensor |
| E2 | Indoor & outdoor unit communication error | P2 | Low pressure protection |
| E4 | Ambient temperature T4 / pipe temperature T3 sensor error | P3 | Outdoor input current protection |
| E5 | Voltage error | P4 | Compressor discharge temperature protection |
| E6 | DC fan motor fault | P5 | Pipe temperature protection |
| E7 | Discharge sensor error | P6 | Inverter module protection |
| Eb | 2 times of E6 protection in 10 minutes | P8 | Storm protection |
| E8 | Outdoor unit address is wrong | PE | Evaporator high temperature protection |
| E9 | EEPROM error | P9 | DC fan module protection |
| H0 | IR341 and main control chip communication error | L0 | Inverter module error |
| H1 | Communication chip and main control chip communication error | L1 | DC generatrix low voltage error |
| H4 | Three times P6 protection in 60 minutes | L2 | DC generatrix high voltage error |
| H5 | Three times P2 protection in 60 minutes | L4 | MCE error / synchronization / closed loop |
| H6 | Three times P4 protection in 100 minutes | L5 | Zero speed protection |
| H7 | The number of indoor units decreases | L7 | Phase sequence error |
| H8 | High pressure sensor error | L8 | Frequency protection - frequency difference in one second more than 15Hz |
| H9 | Three times P9 protection in 60 minutes | L9 | Frequency protection - frequency difference between the real and the setting frequency more than 15Hz |
| P0 | Top high temperature protection of inverter compressor | | |

GENERAL OVERVIEW OF ERROR CODES

| Module SCMI-01.4 error | |
|--|--|
| Error T1 open | Open circuit of temperature sensor T1 |
| Error T2 open | Open circuit of temperature sensor T2 |
| Error T1 short | Short circuit of temperature sensor T1 |
| Error T2 short | Short circuit of temperature sensor T2 |
| Error P open | Open circuit of pressure sensor P |
| Error P short | Short circuit of pressure sensor P |
| Error P low | Low pressure on suction side of compressor |
| Err. com disconnected | Communication malfunction between SCMI-01.4 module and outdoor unit |
| Error of UNI SPLIT series outdoor unit | |
| 01000000 | E4 - Compressor discharge high-temperature protection |
| 02000000 | Lack of refrigerant protection |
| 04000000 | Fan DC motor protection |
| 08000000 | 4-way valve protection |
| 10000000 | Overcurrent protection |
| 20000000 | H3 - Overload protection |
| 40000000 | E3 - Compressor low pressure protection |
| 80000000 | E1 - Compressor high pressure protection |
| 00010000 | Indoor unit freezing protection |
| 00020000 | F3 - Indoor unit freezing protection |
| 00040000 | F4 - Discharge temperature sensor malfunction |
| 00080000 | F2 - Condenser temperature sensor malfunction |
| 00100000 | Condenser inlet tube temperature sensor malfunction |
| 00200000 | C5 - Invalid power code (invalid position of the jumper) |
| 00400000 | Drive unit memory chip malfunction |
| 00000100 | Protection against starting compressor at a low frequency at a low voltage |
| 00000200 | DC Bus overvoltage protection |
| 00000400 | AC current protection |
| 00000800 | IPM protection |
| 00001000 | PFC protection |
| 00002000 | Start up malfunction |
| 00004000 | Compressor wrong phase order protection |
| 00008000 | Drive unit module sensor malfunction |
| 00000001 | Compressor overcurrent protection |
| 00000002 | Power supply protection |
| 00000004 | Circuit current measurement malfunction |
| 00000008 | H7 - Compressor desynchronization protection |
| 00000010 | Compressor stalling protection |
| 00000040 | Drive unit module high-temperature protection |
| 00000080 | Drive unit module sensor malfunction |

EXPLANATORY NOTES:

- Data are based on following conditions: Length of connection pipe: 5m. Cooling: indoor temperature 27 °C DB/19 °C WB, outdoor temperature 35 °C DB/24 °C WB. Heating condition: indoor temperature 20 °C DB/15 °C WB, outdoor temperature 7 °C DB/6 °C WB.
- Data are based on following conditions: Length of connection pipe: 5m. Cooling: indoor temperature 27 °C DB/19 °C WB, outdoor temperature 35 °C DB/24 °C WB. Heating condition: indoor temperature 20 °C DB/15 °C WB, outdoor temperature 7 °C DB/6 °C WB.
- SEER/SCOP was calculated according to European standards contained in EN14825, based on part load classifying and testing conditions given by norm EN14511. Energy label can be downloaded from Sinclair product web page after B2B login.
- Noise is tested in the semi-anechoic room, so it should be slightly higher in the actual Operation due to environmental change.
- Cooling mode
- Standard length of liquid pipes pre-filled with refrigerant.
- Maximum length of liquid pipes in one-way including elevation between indoor and outdoor unit.
- Guaranteed range of operational temperatures.
- Maximum length of liquid pipes to last indoor unit.
- EER/COP in accordance with EN14511.
- If the outdoor unit is power supplied, the cable between indoor unit and outdoor unit is also common for communication.
- Data are based on following conditions: Cooling: indoor temperature 27 °C DB/19 °C WB, water temperature 25 °C, water temperature slope 5 °C, pressure 0Pa; Heating: indoor temperature 20 °C DB/15 °C WB, water temperature 15 °C, water flow same as for cooling, pressure 0Pa.

| | |
|--------------------------|--|
| SH/MH/H/M/L/ML/SL | super high / mid high / high / mid / low / mid low / super low |
| EXV | electromagnetic expansion valve |
| R32 | (100% HFC-32), GWP 675. |
| R290 | (100% CH ₃ CH ₂ CH ₃), GWP 3 |
| R410A | (50% HFC-32, 50% HFC-125), GWP 2088 |
| R134A | (100% HFC-134a), GWP 1300 |
| R290 | (100% CH ₃ CH ₂ CH ₃), GWP 3 |
| ID/OD | indoor unit/outdoor unit |

This catalogue is informative only and does not constitute a binding offer from the side of SINCLAIR CORPORATION LTD. The Company takes no responsibility for any damage arising out of using or interpretation of this catalogue. The noise levels mentioned in this catalogue are values measured under ideal conditions, in an anechoic chamber. These values can be influenced by local conditions (acoustical bouncing area, the equipment of the room, etc.). The specification of products is subject to change based on further development of the units by the producer and can be changed without prior notice. The reproduction of information or data, in particular the use of texts, text excerpts or images, requires the prior written approval of the company. The contents of this catalogue is protected by copyright of SINCLAIR CORPORATION LTD.

