

Spare Parts Catalogues

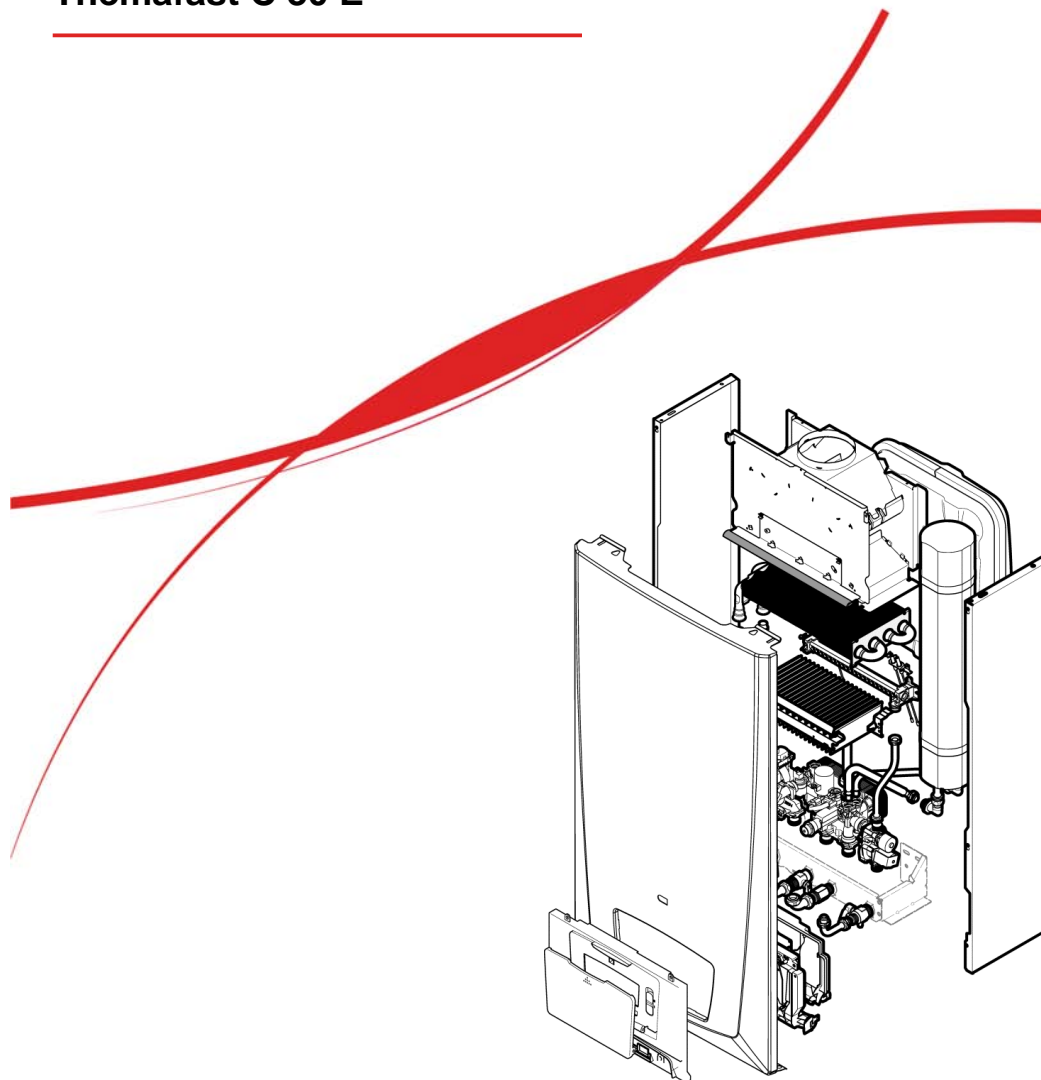


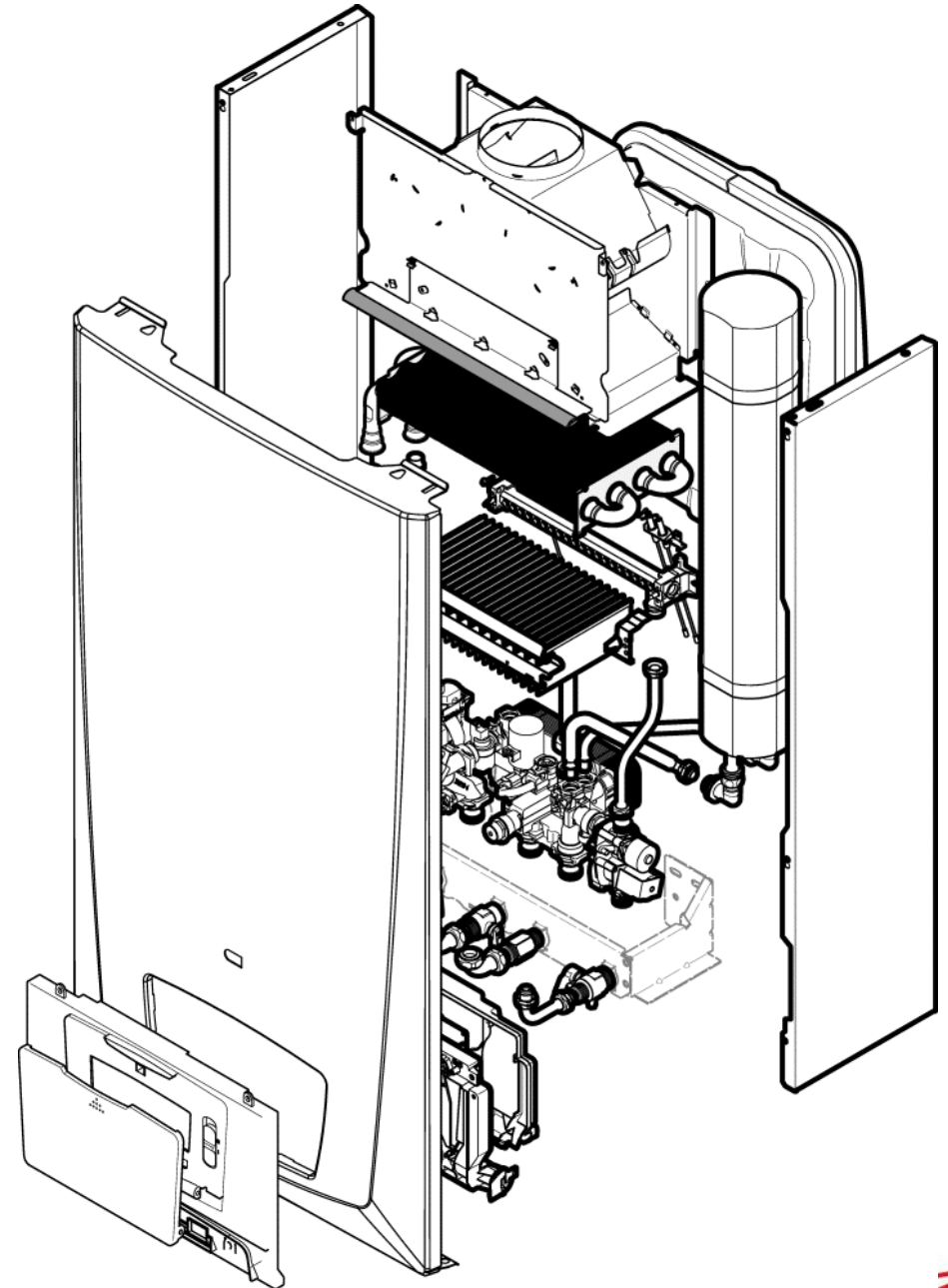
Saunier Duval

---

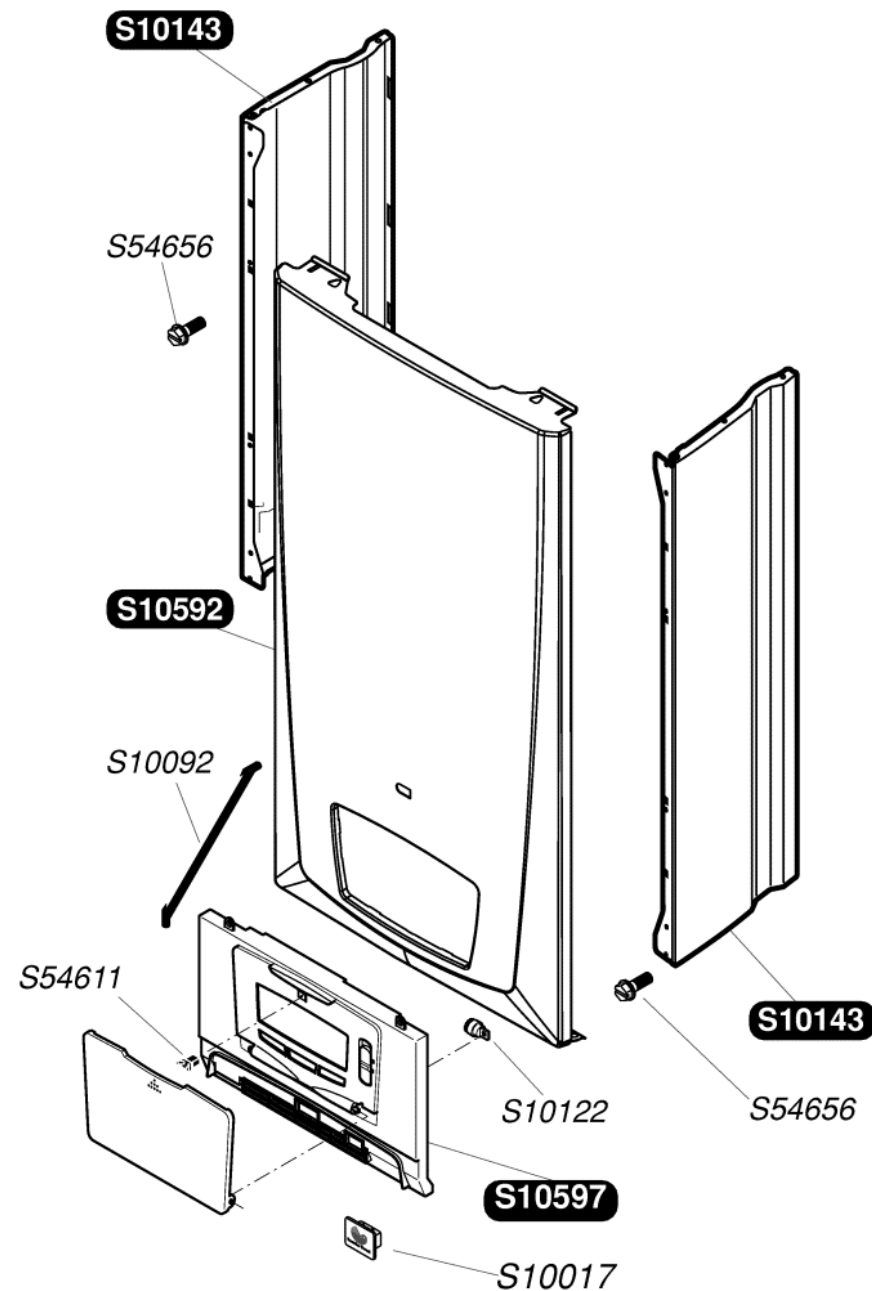
Themafast C 30 E

---

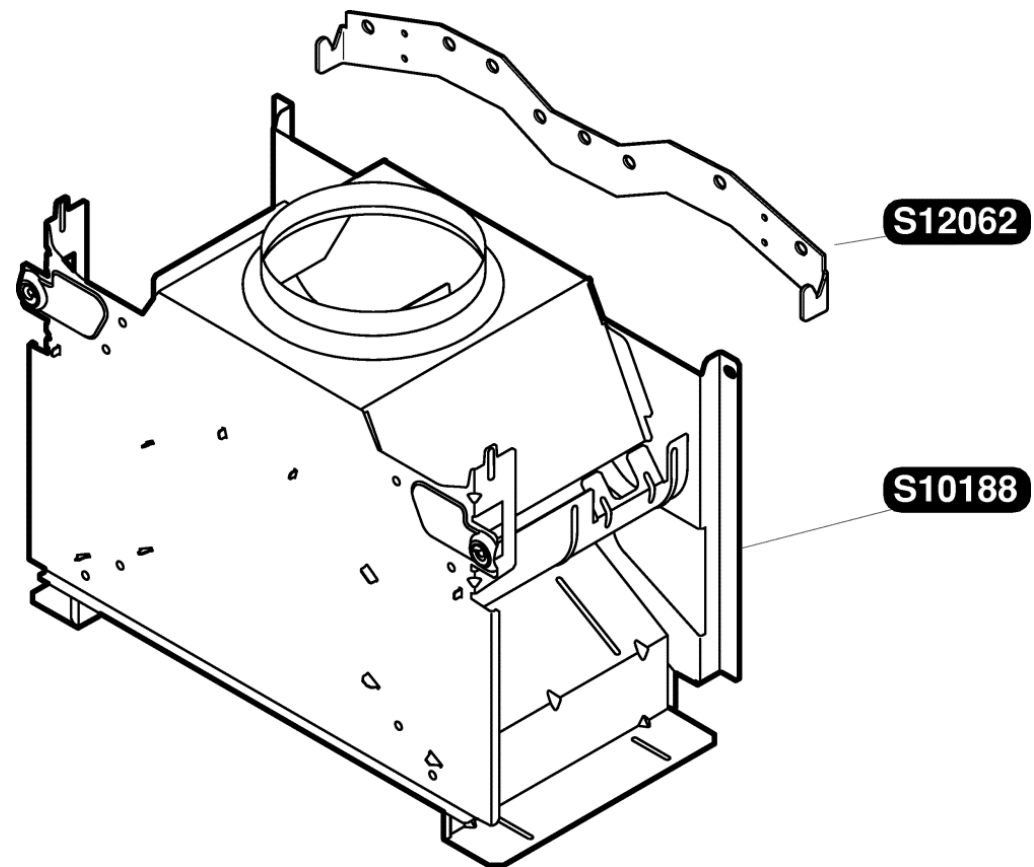




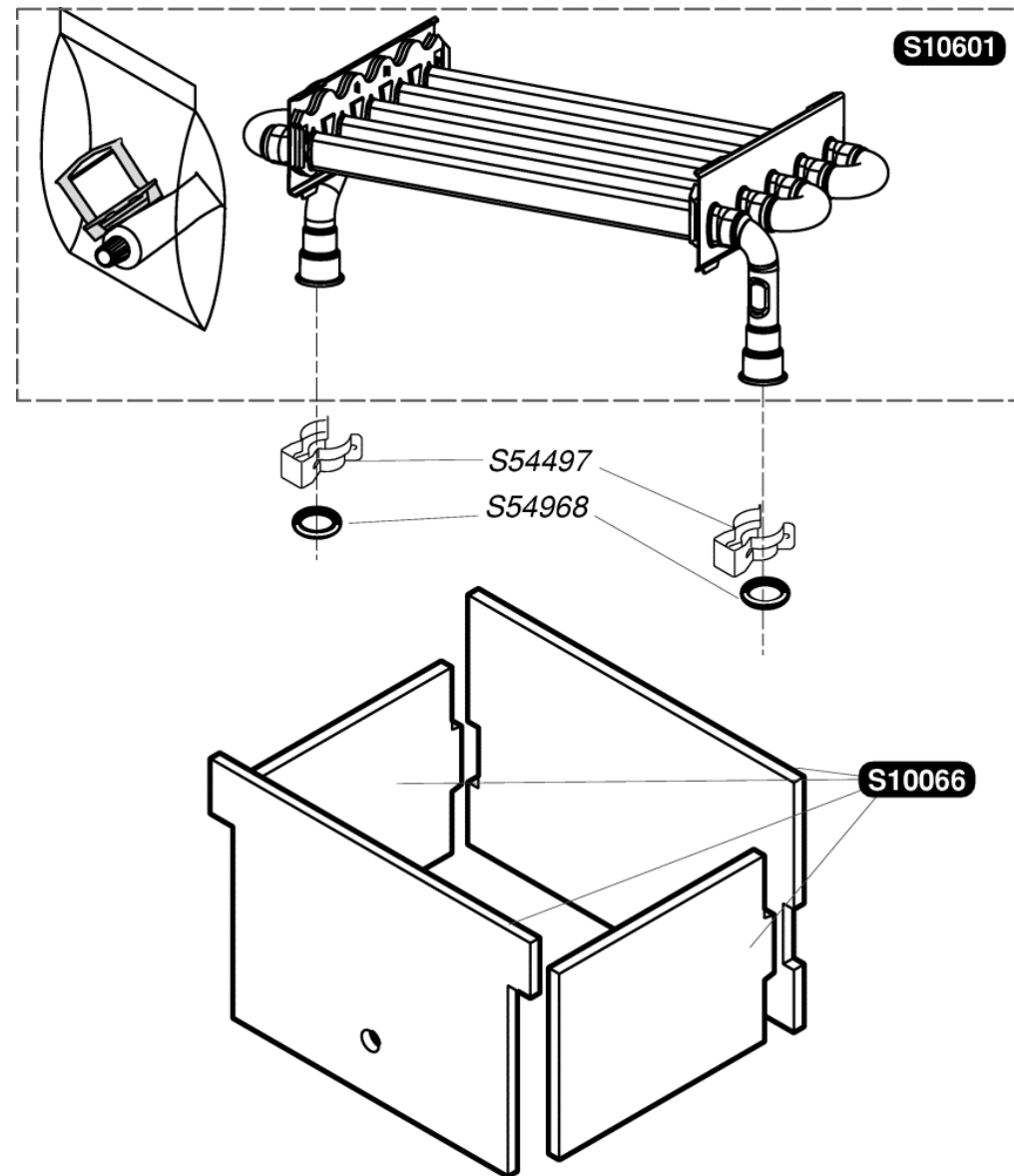
S10017	10	Brand name
S10092	5	Strap
S10122	5	Stopper door
S10143	1	Side panel
S10592	1	Front panel
S10597	1	Control panel
S54611	15	Clamp (pk15)
S54656	50	Screw 4,2X13,5 (pk50)



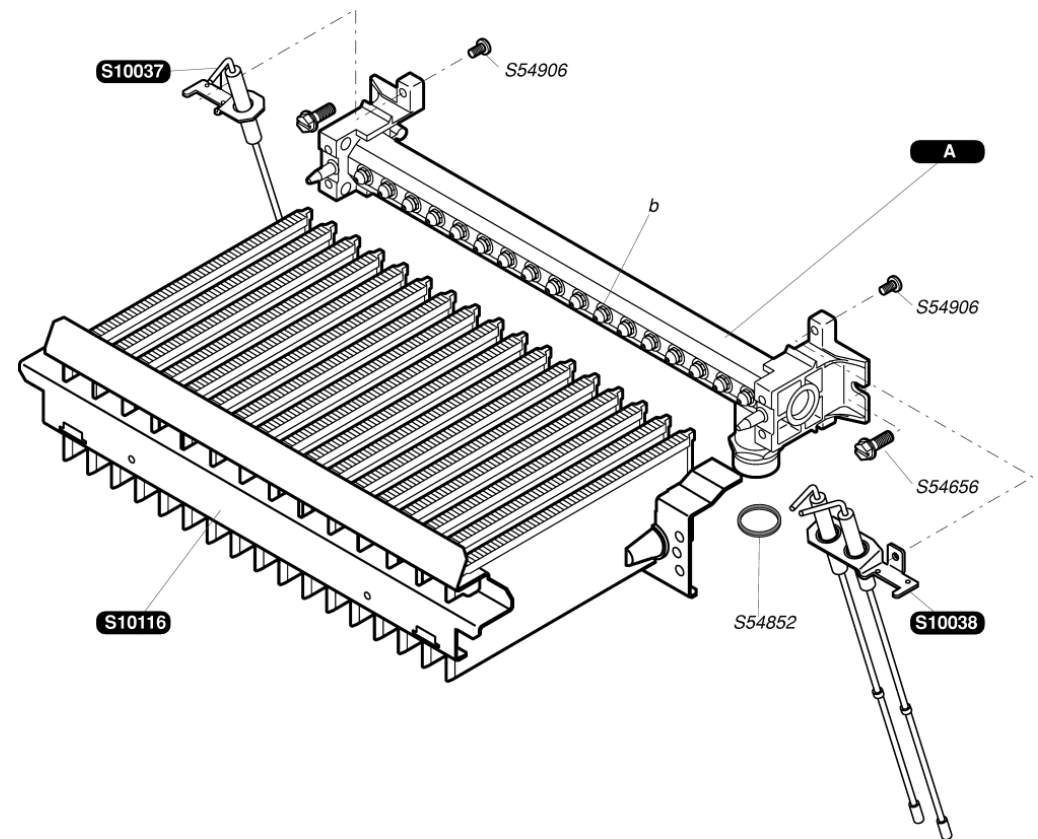
<i>S10188</i>	<i>1</i>	<i>Draft diverter</i>
<i>S12062</i>	<i>1</i>	<i>Strip terminal</i>



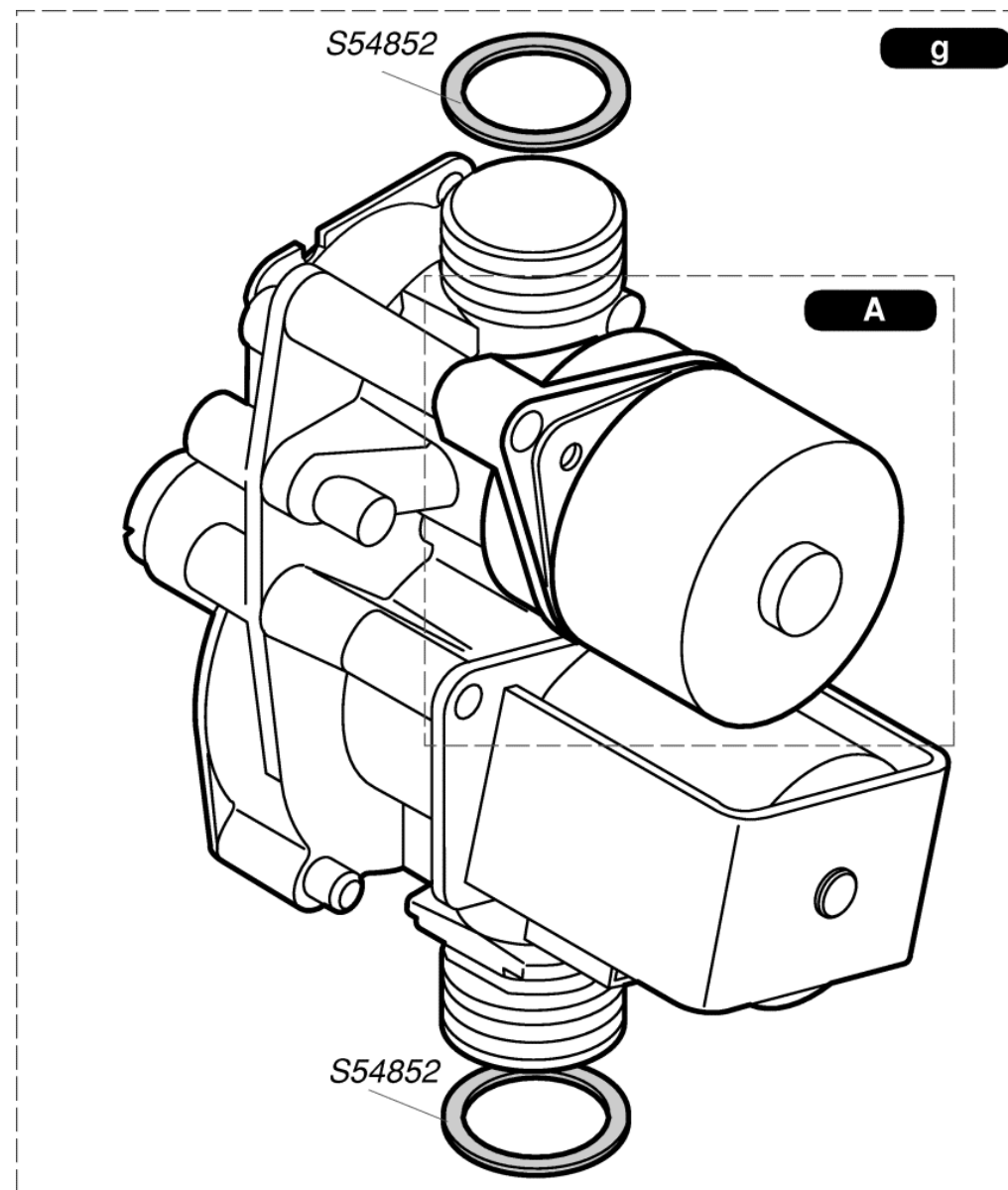
S10066	1	Insulation combustion chamber
S10601	1	Heat Exchanger 30kW
S54497	10	Clip
S54968	50	O ring (pk50)



S10037	1	Ignition electrode
S10038	1	Ignition electrode
S10116	1	Burner
S10189	1	A Gas manifold 17 inj. G20
S54656	50	Screw 4,2X13,5 (pk50)
S54852	100	Gasket (PK100)
S54906	50	Screw (pk50)

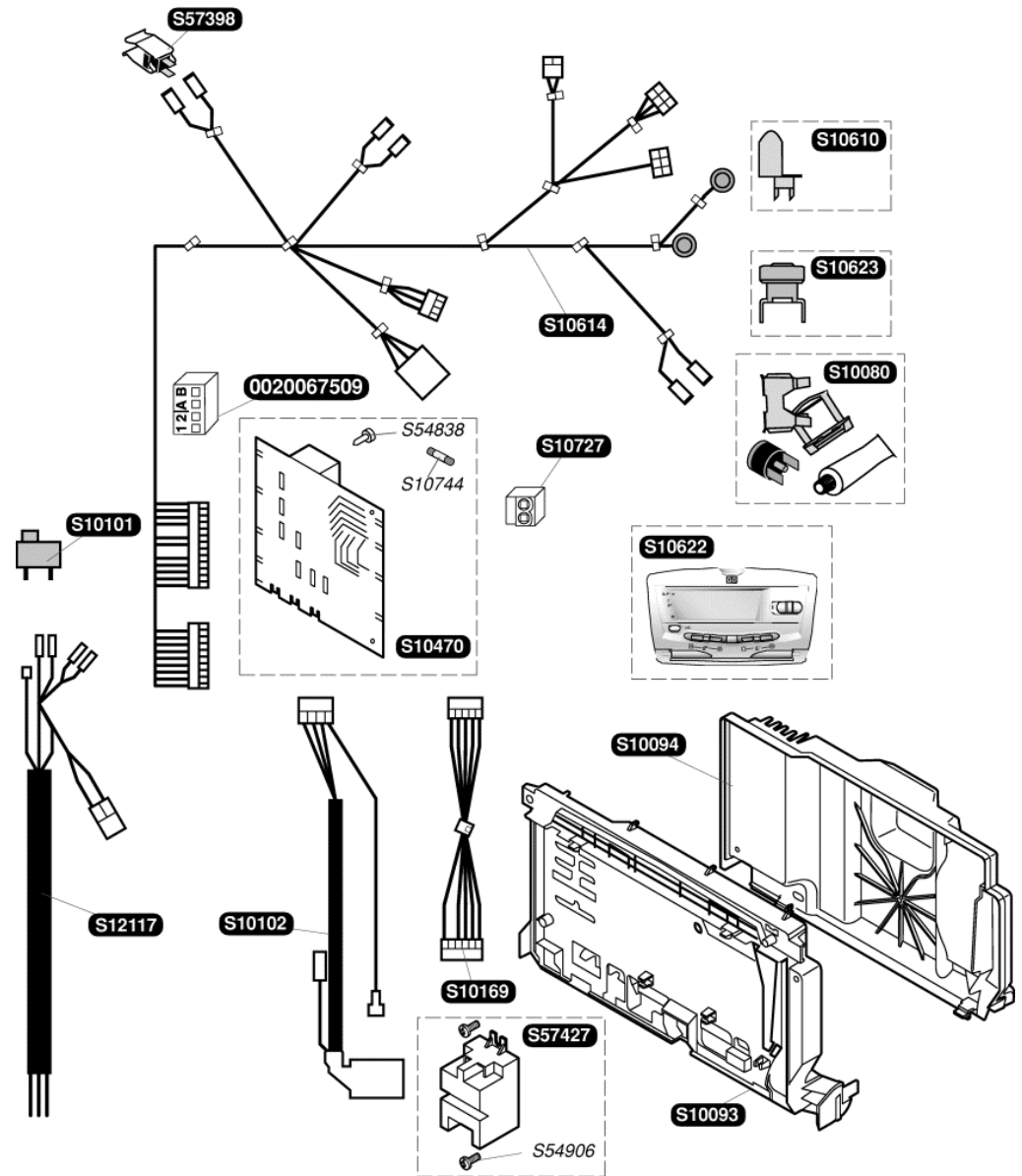


S10716	1	g	Gas valve G 20
S10717	1	A	Stepper motor G20
S54852	100		Gasket (PK100)



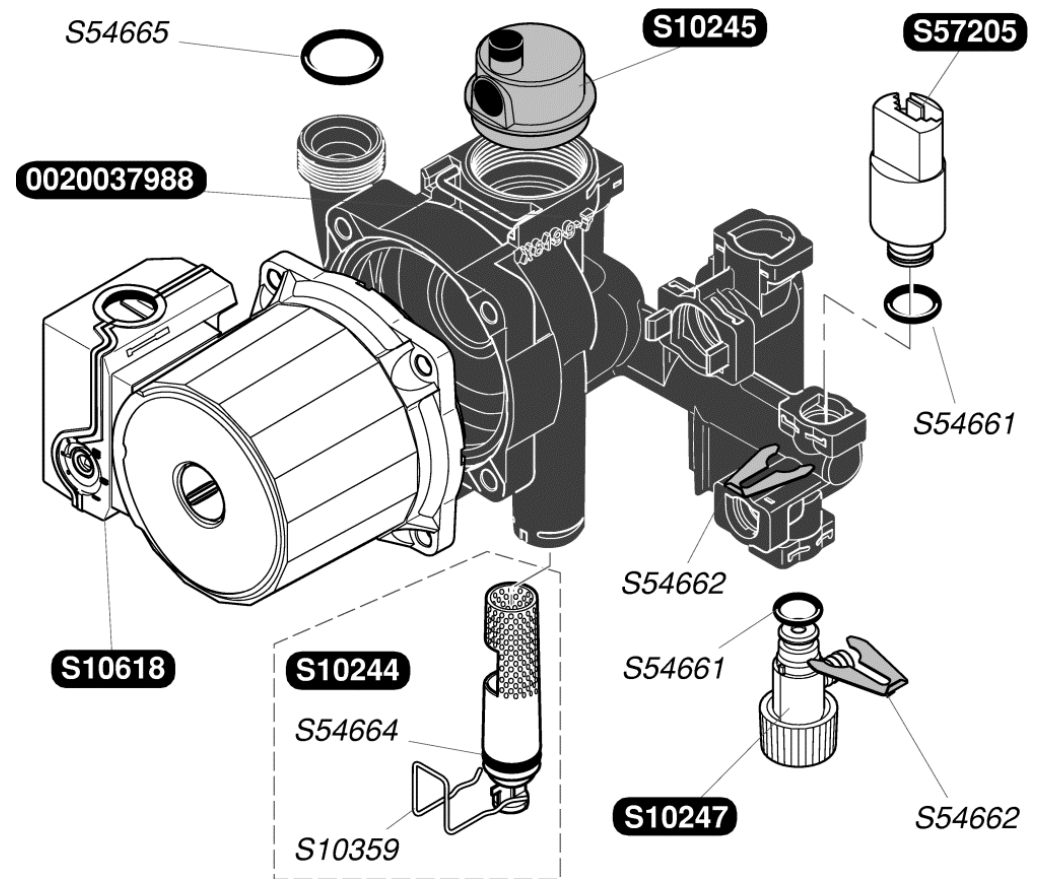


0020067509	1	Plug 4 wires external sensor
S10080	1	Safety switch
S10093	1	Electric box
S10094	1	Cover
S10101	1	Switch On/Off
S10102	1	Ignition cable
S10169	1	Cable tree
S10470	1	Printed circuit
S10610	1	Second SRC Thermostat
S10614	1	Main harness
S10622	1	Electronics
S10623	1	Thermostat sensor
S10727	1	Plug 2 wires Room thermostat
S10744	5	Fuse 630mA (pk5)
S12117	1	Supply harness
S54838	75	Screw 3,5x6,5 (pk75)
S54906	50	Screw (pk50)
S57398	1	Sensor temperature
S57427	1	Spark ignition

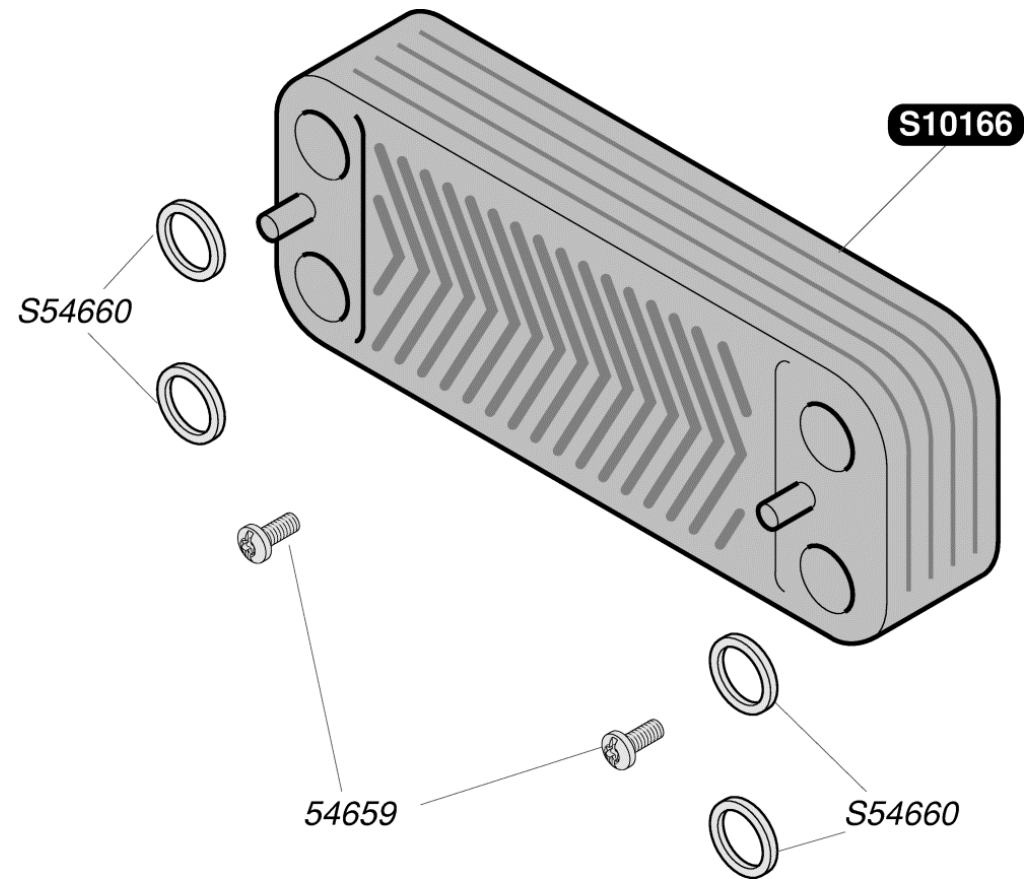




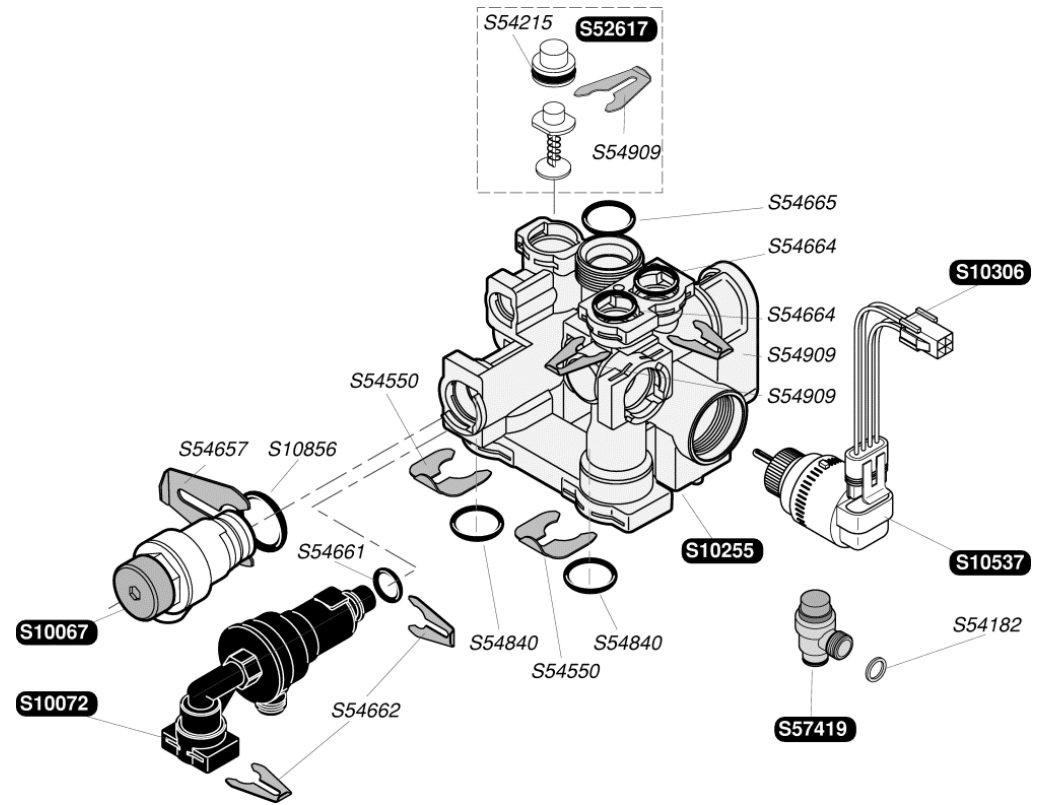
0020037988	1	Block plastic pump
S10244	1	Heating filter
S10245	1	Automatic de-aerator
S10247	1	De-aeration valve
S10359	1	Clip (pk10)
S10618	1	Motor pump
S54661	20	O ring (pk20)
S54662	10	Clip (pk10)
S54664	20	O ring (pk20)
S54665	20	O ring (pk20)
S57205	1	Pressure sensor



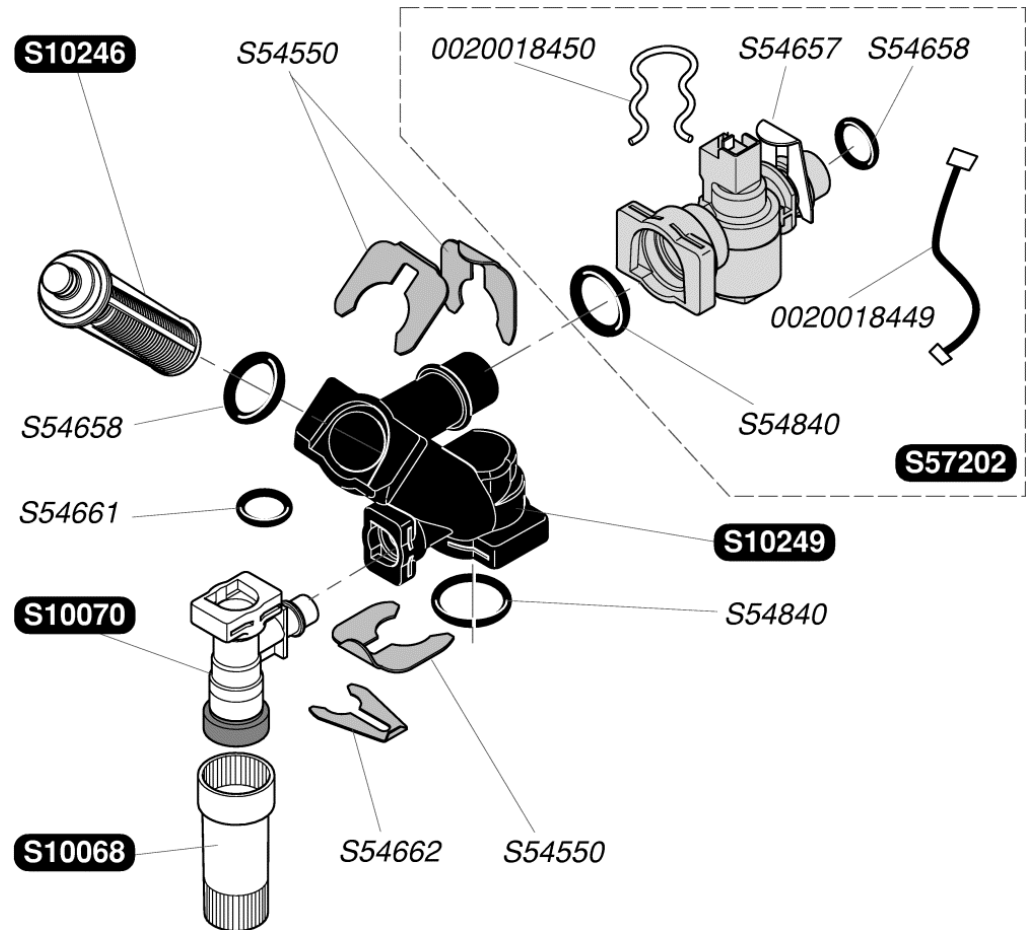
54659	50	Screw (pk50)
S10166	1	Domestic Heat Exchanger 12plt
S54660	20	Washer (pk20)



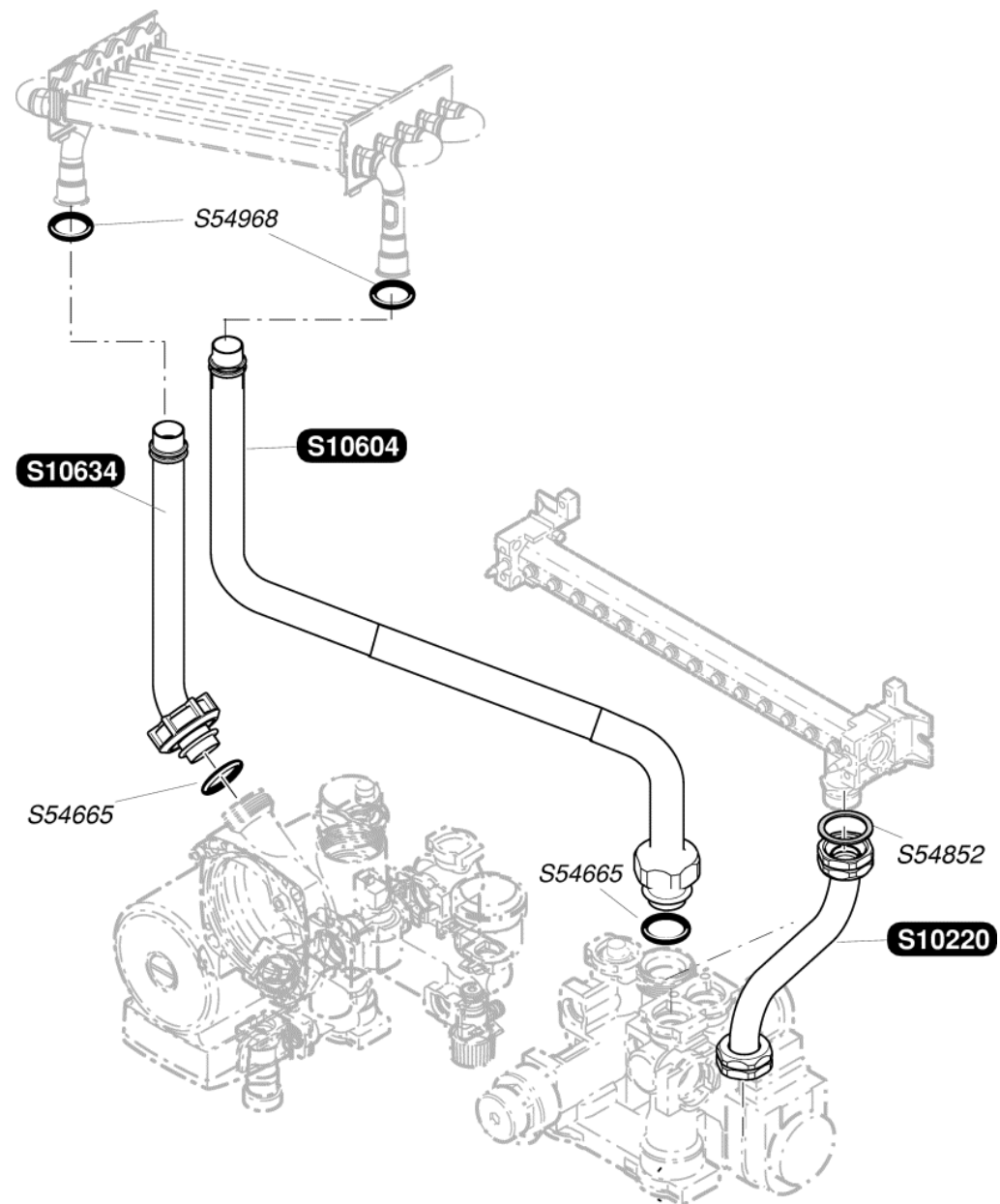
S10067	1	Heating valve 3bars
S10072	1	Non-return valve
S10255	1	3 way valve
S10537	1	3Wv motor
S10856	10	O Ring
S52617	1	Bypass
S54182	100	Washer (pk100)
S54215	25	O ring (pk25)
S54550	10	Clip Ø20 (pk10)
S54657	10	Clip Ø18 (pk10)
S54661	20	O ring (pk20)
S54662	10	Clip (pk10)
S54664	20	O ring (pk20)
S54665	20	O ring (pk20)
S54840	10	O ring (pk10)
S54909	15	Clip (pk15)
S57419	1	D.H.W valve, kpl



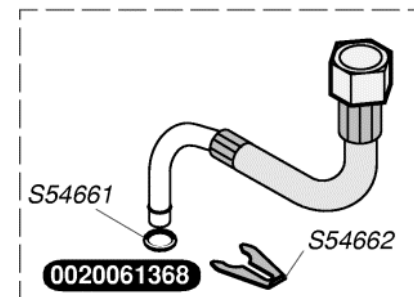
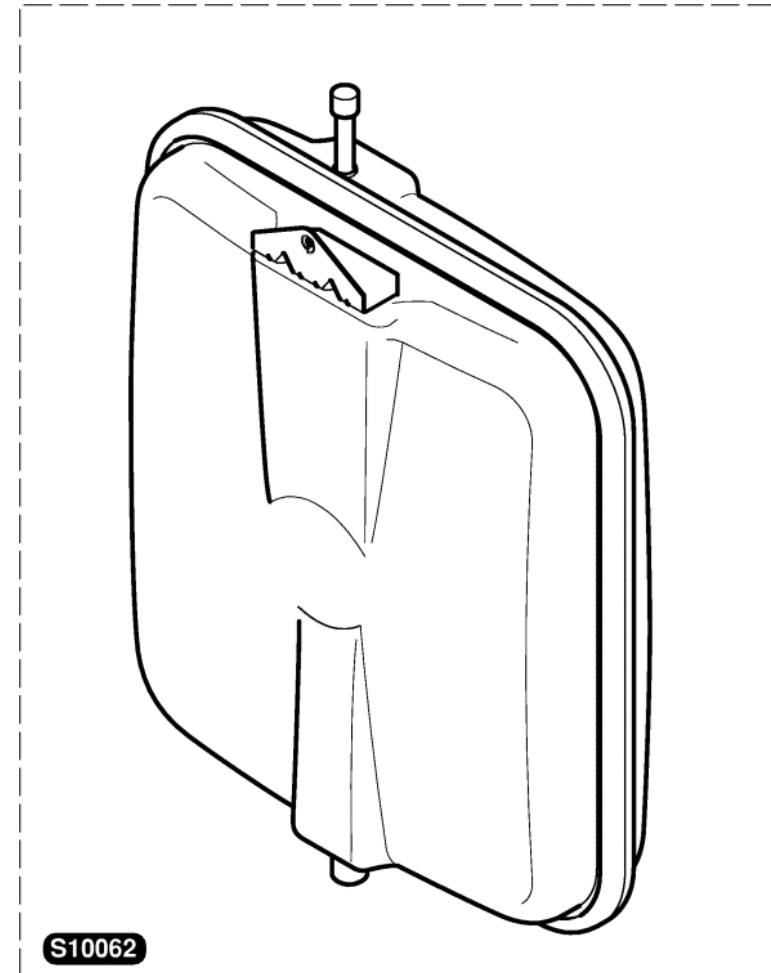
0020018449	5	Domestic hot water sensor cable
0020018450	10	Clip (pk10)
S10068	1	Handle extension adapter
S10070	1	Filling cock
S10246	1	Sanitary filter
S10249	1	Z pipe
S54550	10	Clip Ø20 (pk10)
S54657	10	Clip Ø18 (pk10)
S54658	20	O ring (pk 20)
S54661	20	O ring (pk20)
S54662	10	Clip (pk10)
S54840	10	O ring (pk10)
S57202	1	Domestic hot water sensor



S10220	1	Gas pipe
S10604	1	Pipe heat exchanger / 3WV
S10634	1	Heat exchanger/pump pipe
S54665	20	O ring (pk20)
S54852	100	Gasket (PK100)
S54968	50	O ring (pk50)

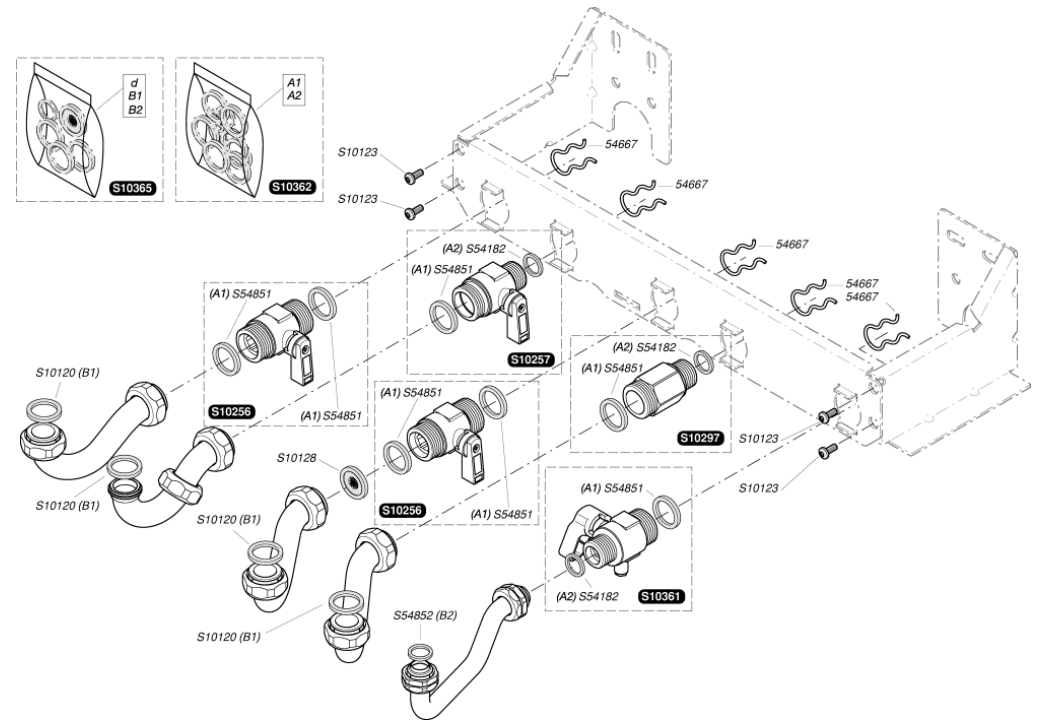


0020061368	1	Hose expansion vessel
S10062	1	Expansion vessel 8L
S54661	20	O ring (pk20)
S54662	10	Clip (pk10)





<b>54667</b>	<b>10</b>	<b>Clip (pk10)</b>
<b>S10120</b>	<b>50</b>	<b>Washer</b>
<b>S10123</b>	<b>25</b>	<b>Screw</b>
<b>S10128</b>	<b>10</b>	<b>D Flow limiter 16L</b>
<b>S10256</b>	<b>1</b>	<b>Heating cock</b>
<b>S10257</b>	<b>1</b>	<b>Clod water tap</b>
<b>S10297</b>	<b>1</b>	<b>Connection (hot water)</b>
<b>S10361</b>	<b>1</b>	<b>Gas tap</b>
<b>S10362</b>	<b>1</b>	<b>Washer bag</b>
<b>S10365</b>	<b>1</b>	<b>Washer + limiter 16L</b>
<b>S54182</b>	<b>100</b>	<b>Washer (pk100)</b>
<b>S54851</b>	<b>100</b>	<b>Washer (pk100)</b>
<b>S54852</b>	<b>100</b>	<b>Gasket (PK100)</b>





S10273	1	Thermostat micro storage
S10780	1	Resistance micro-storage
S10781	1	Tube inlet
S10782	1	Outlet tube
S10785	1	Storage water heater micro version
S54664	20	O ring (pk20)
S54909	15	Clip (pk15)

