

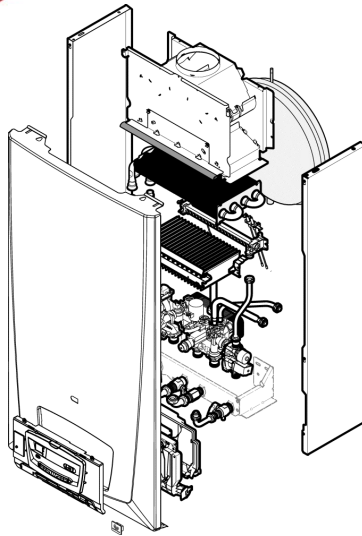
Wall hung boilers - Chimney

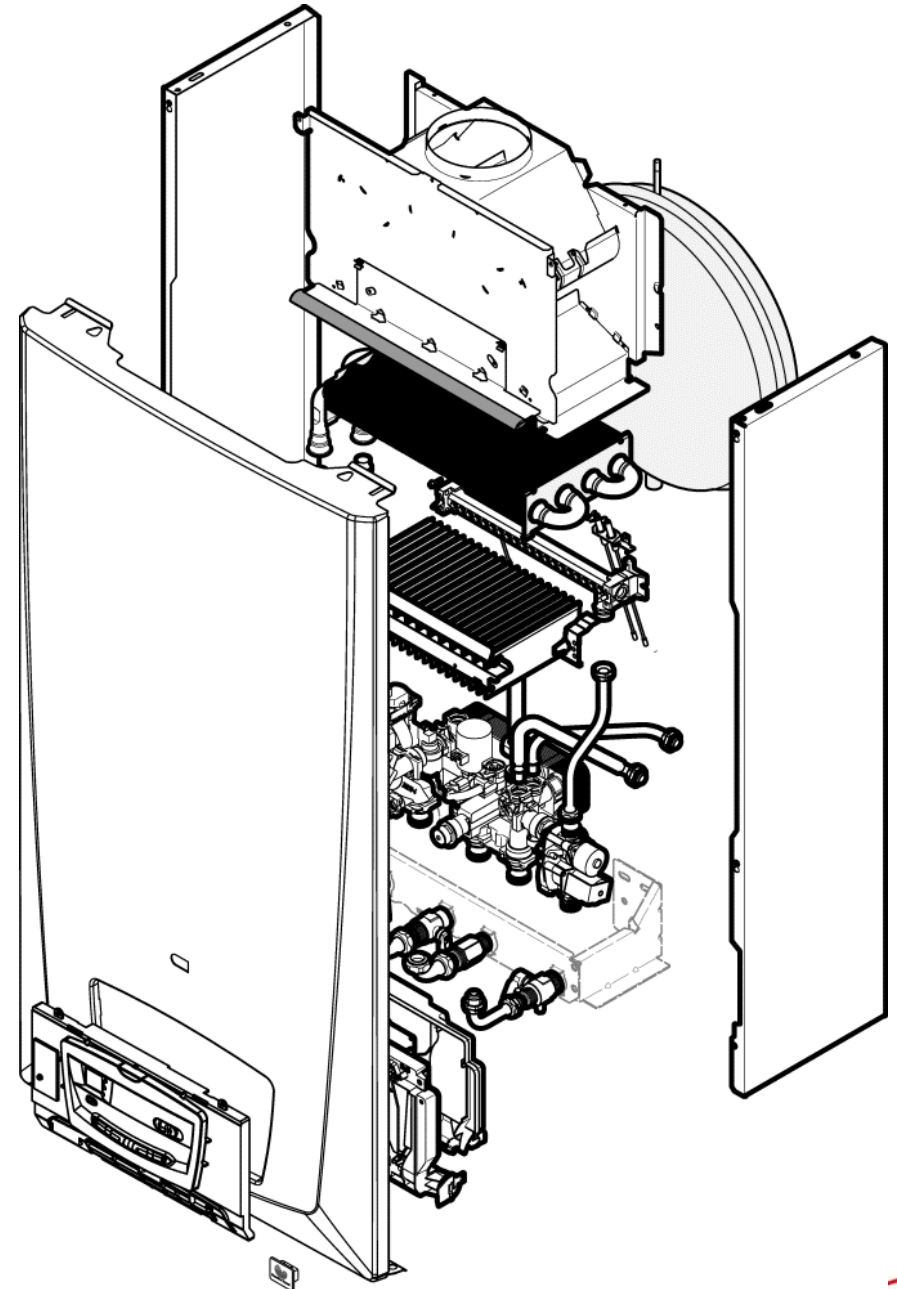
Spare Parts Catalogues

Themaclassic C 25 E

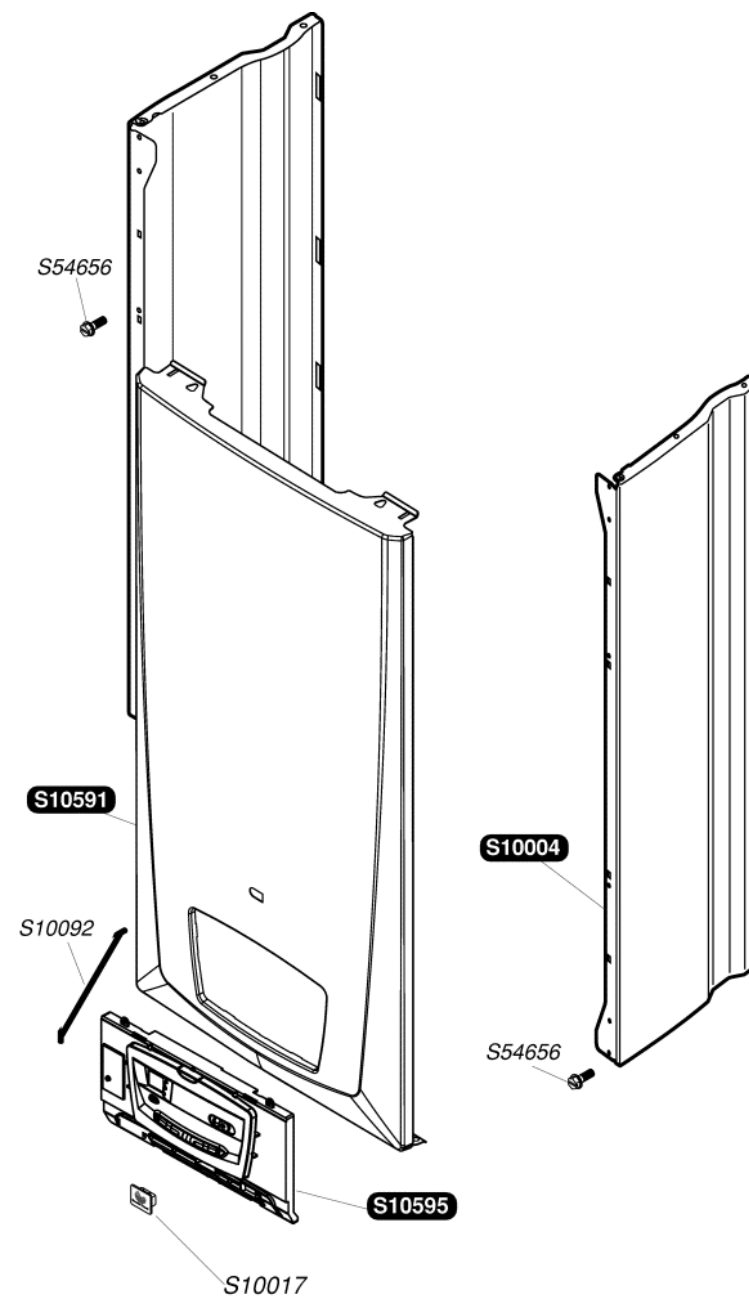


Saunier Duval

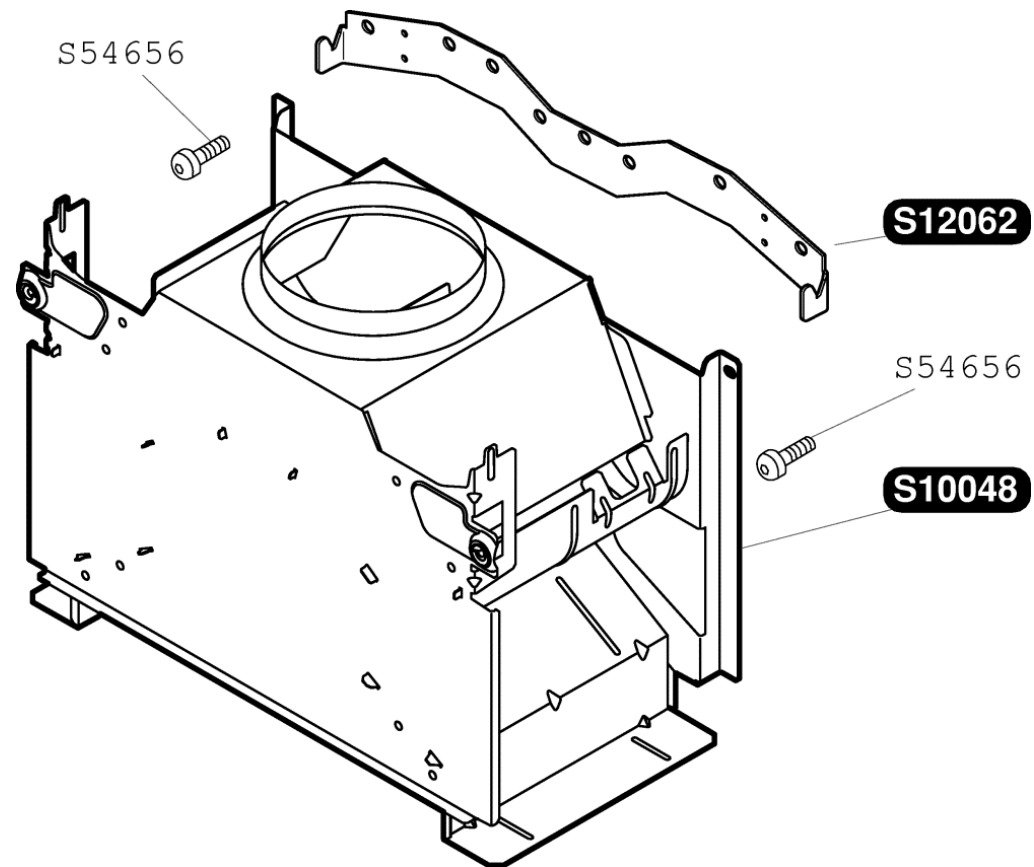




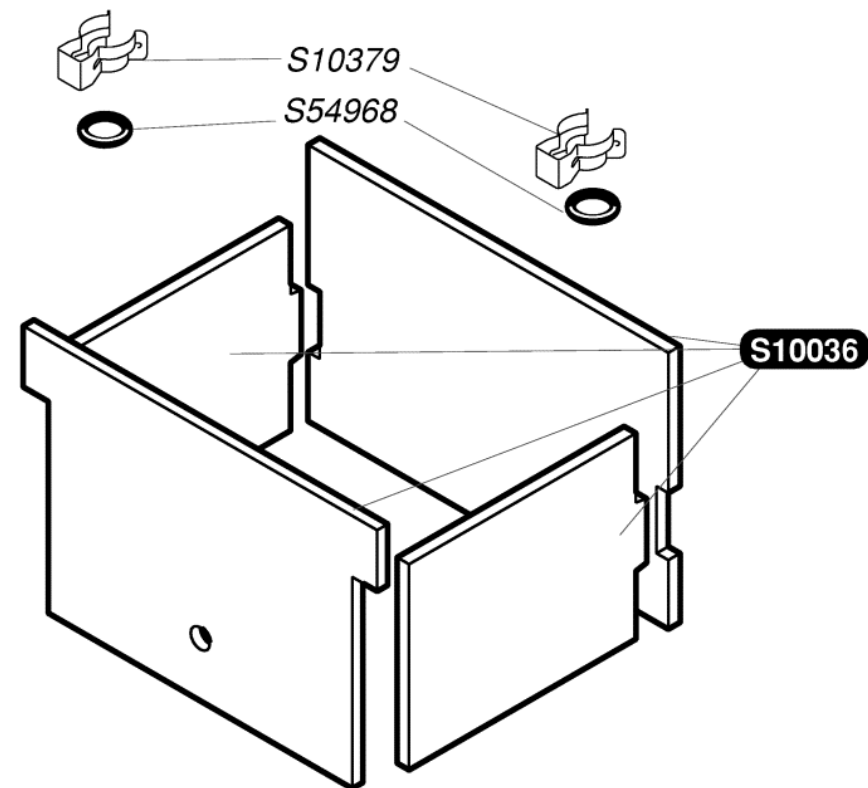
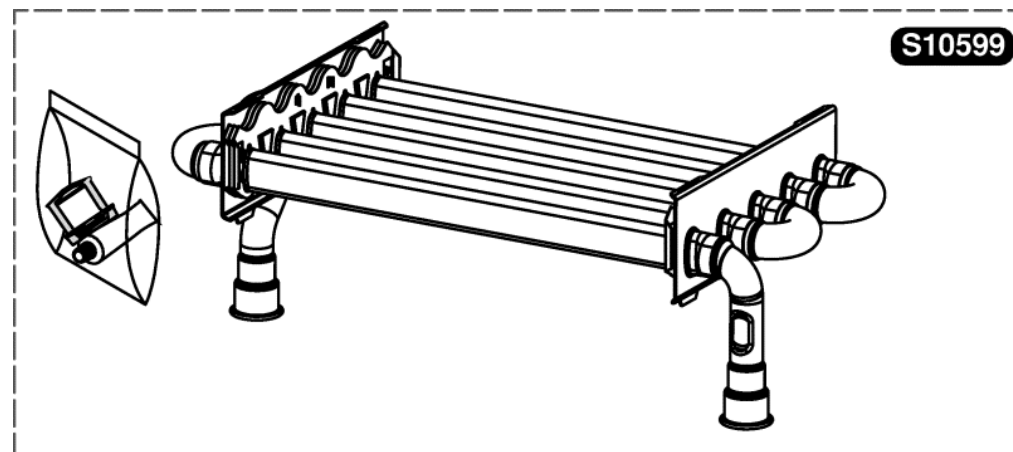
S10004	1	Side panel
S10017	1	Brand name
S10092	5	Strap
S10591	1	Front Panel
S10595	1	Control panel
S54656	50	Screw 4,2X13,5 (pk50)



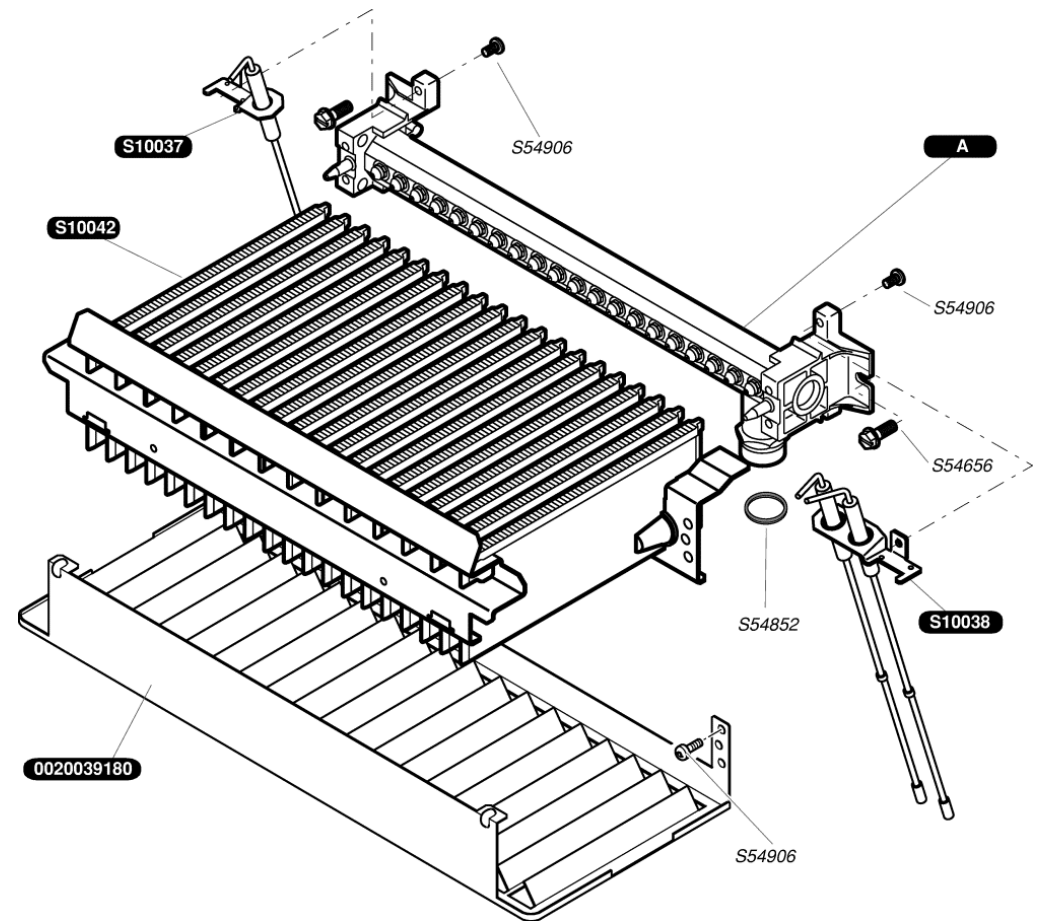
S10048	1	Draft diverter
S12062	1	Strip terminal
S54656	50	Screw 4,2X13,5 (pk50)



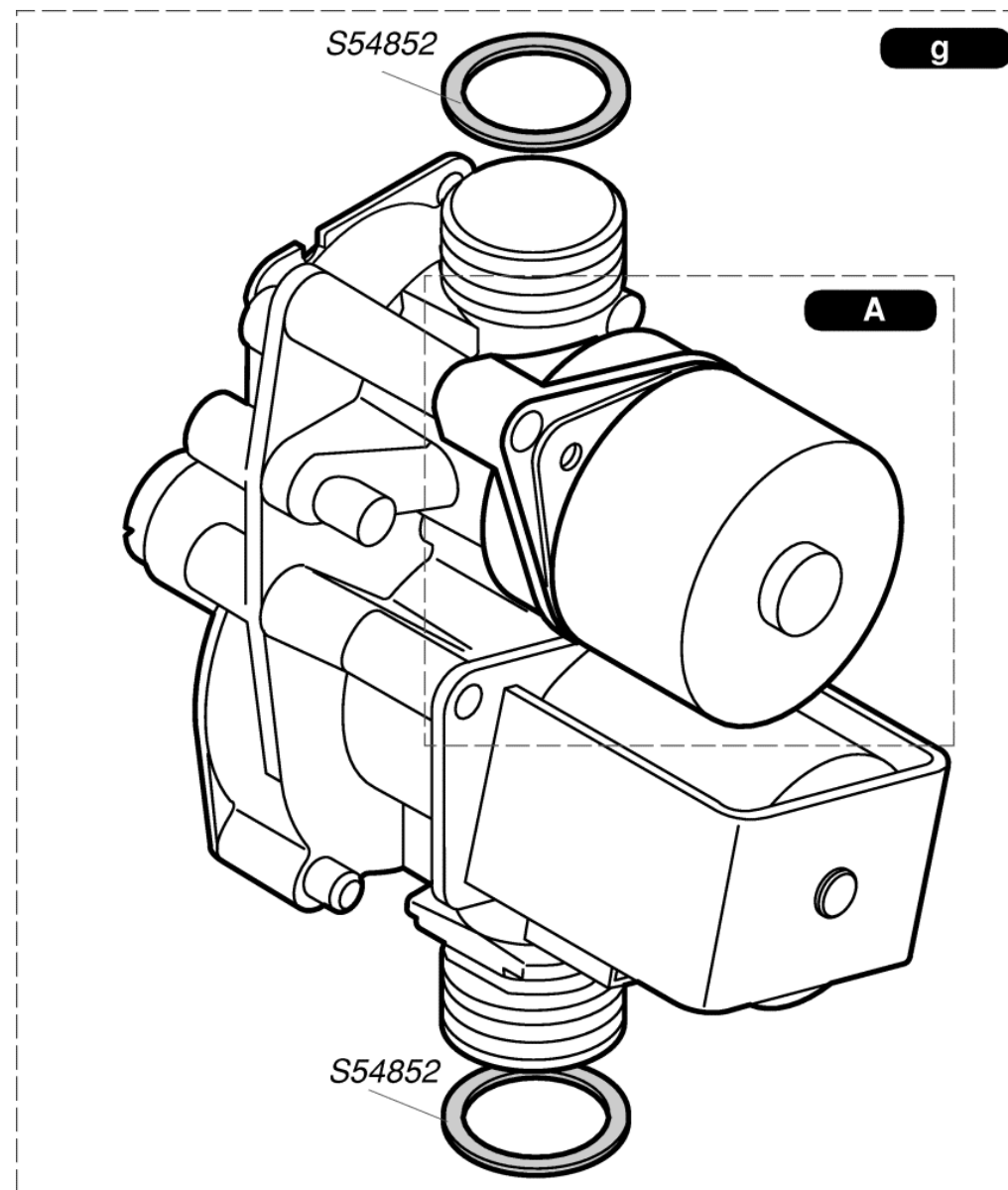
S10036	1	Insulation combustion chamber
S10379	10	Clip (pk10)
S10599	1	Heat Exchanger
S54968	50	O ring (pk50)



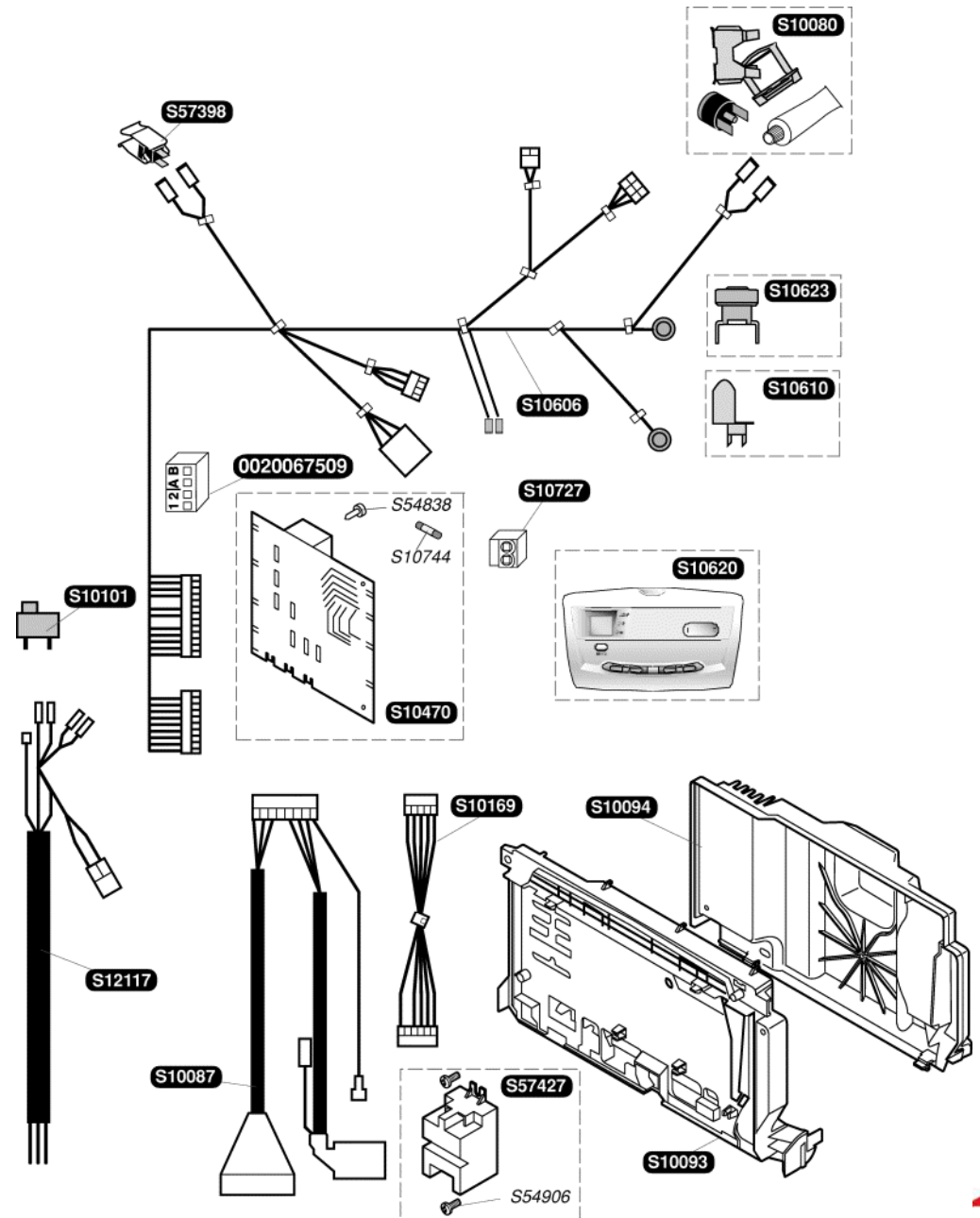
0020039180	1	Burner air distributor plate
S10037	1	Ignition electrode
S10038	1	Ignition electrode
S10039	1	A Burner manifold G20
S10042	1	Burner
S54656	50	Screw 4,2X13,5 (pk50)
S54852	100	Gasket (PK100)
S54906	50	Screw (pk50)



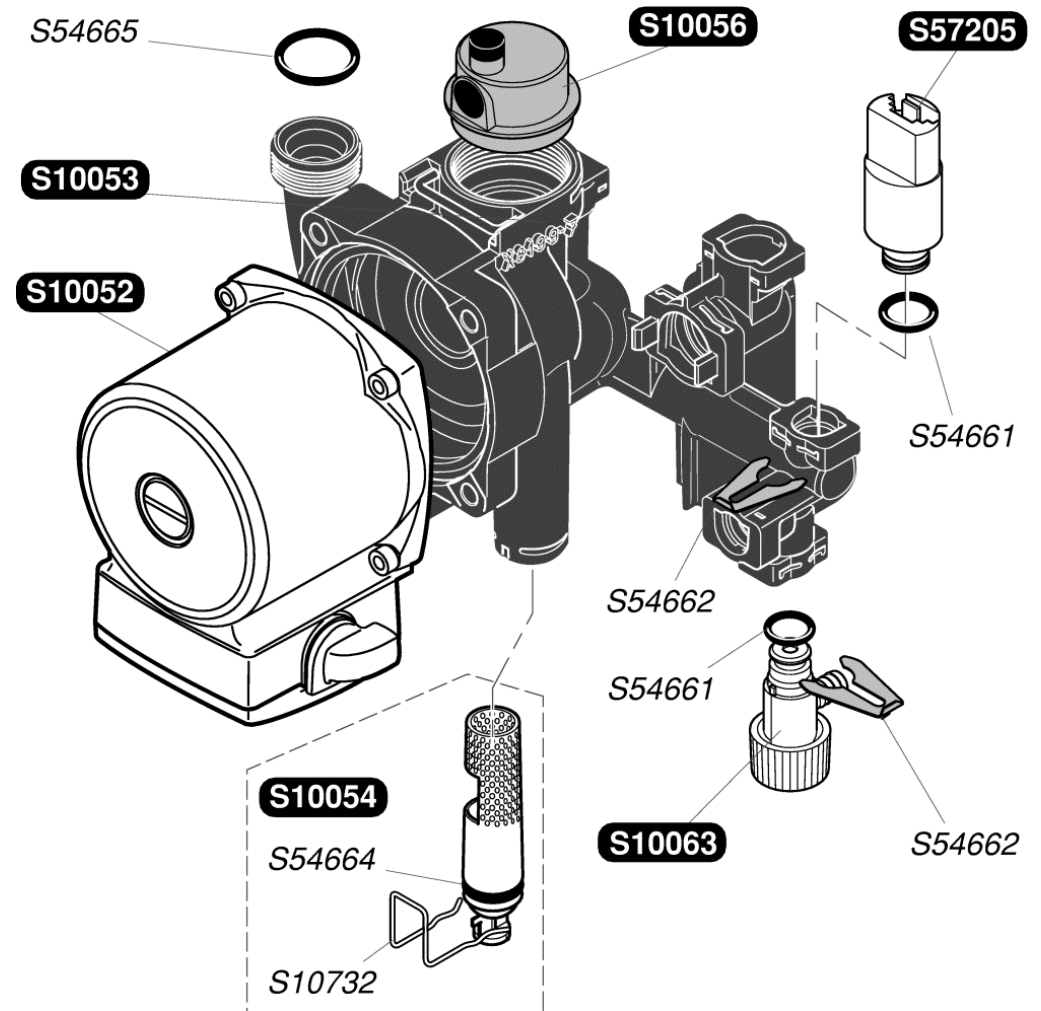
S10716	1	g	Gas valve G 20
S10717	1	A	Stepper motor G20
S54852	100		Gasket (PK100)



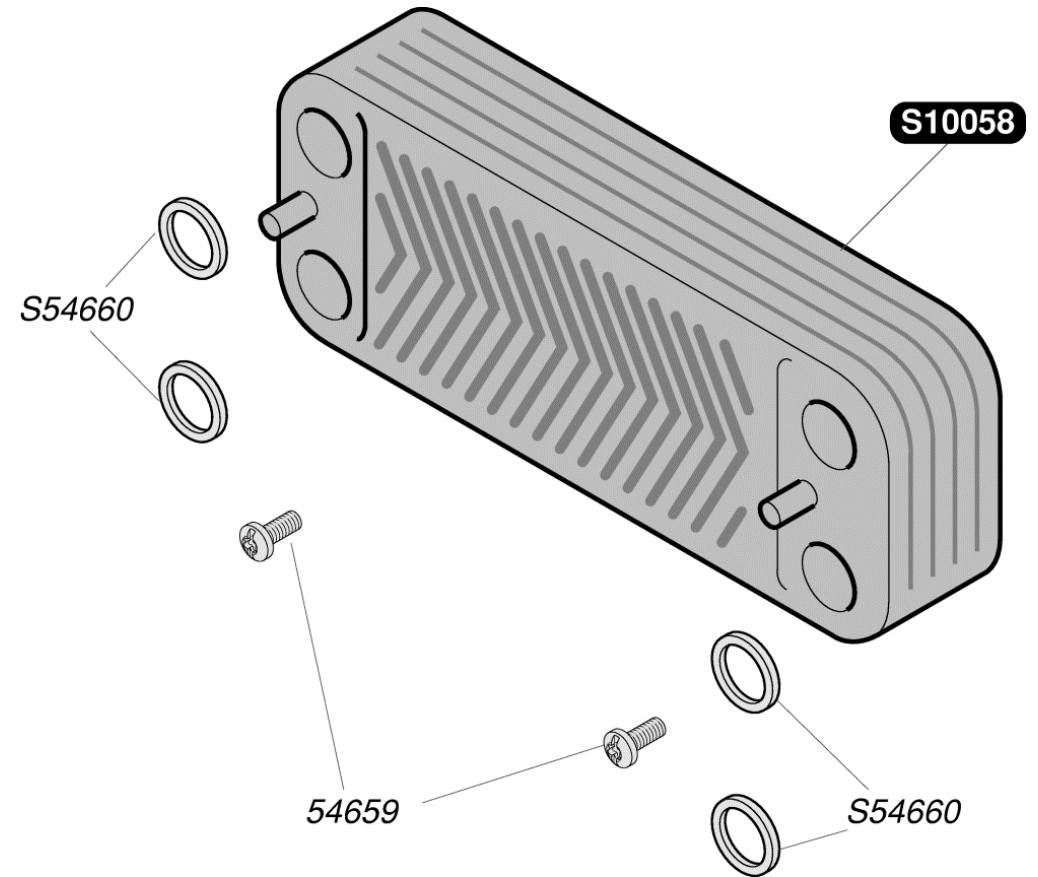
0020067509	1	Plug 4 wires external sensor
S10080	1	Safety switch
S10087	1	Cable ignitor
S10093	1	Electric box
S10094	1	Cover
S10101	1	Switch On/Off
S10169	1	Cable tree
S10470	1	Printed circuit
S10606	1	Main harness
S10610	1	Second SRC Thermostat
S10620	1	Printed circuit board
S10623	1	Thermostat sensor
S10727	1	Plug 2 wires Room thermostat
S10744	5	Fuse 630mA (pk5)
S12117	1	Supply harness
S54838	75	Screw 3,5x6,5 (pk75)
S54906	50	Screw (pk50)
S57398	1	Sensor temperature
S57427	1	Spark ignition



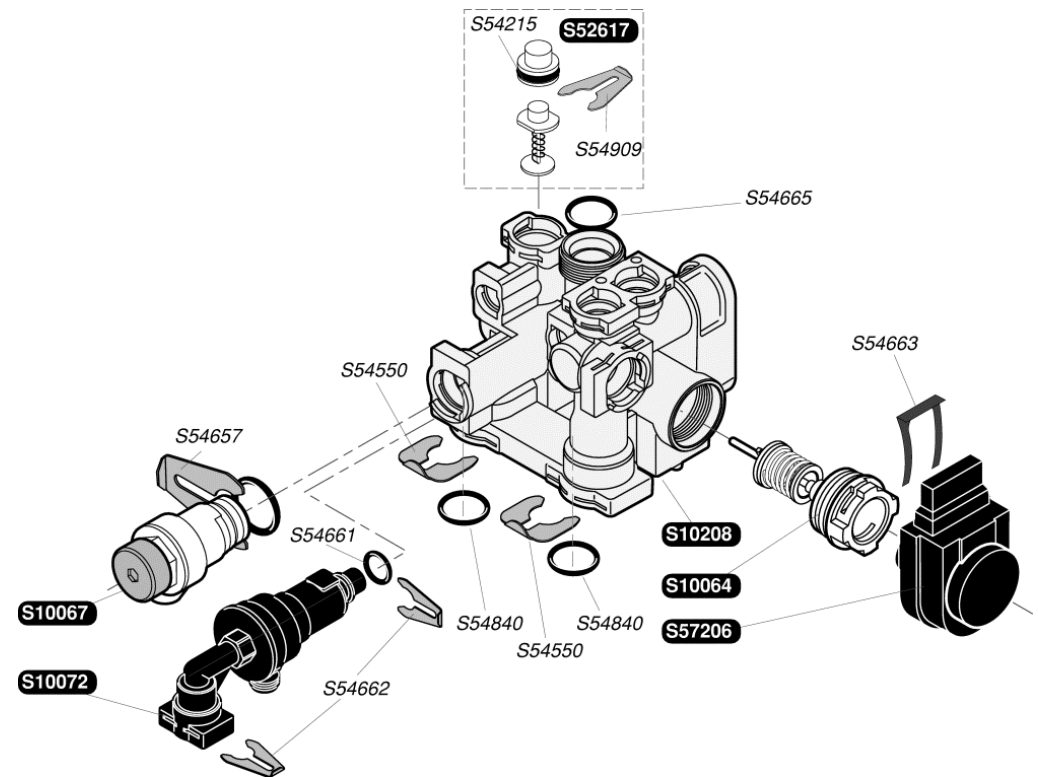
S10052	1	Motor pump
S10053	1	Chamber pump
S10054	1	Heating filter
S10056	1	Automatic de-aerator
S10063	1	Tap drain piece
S10732	10	Clip
S54661	20	O ring (pk20)
S54662	10	Clip (pk10)
S54664	20	O ring (pk20)
S54665	20	O ring (pk20)
S57205	1	Pressure sensor



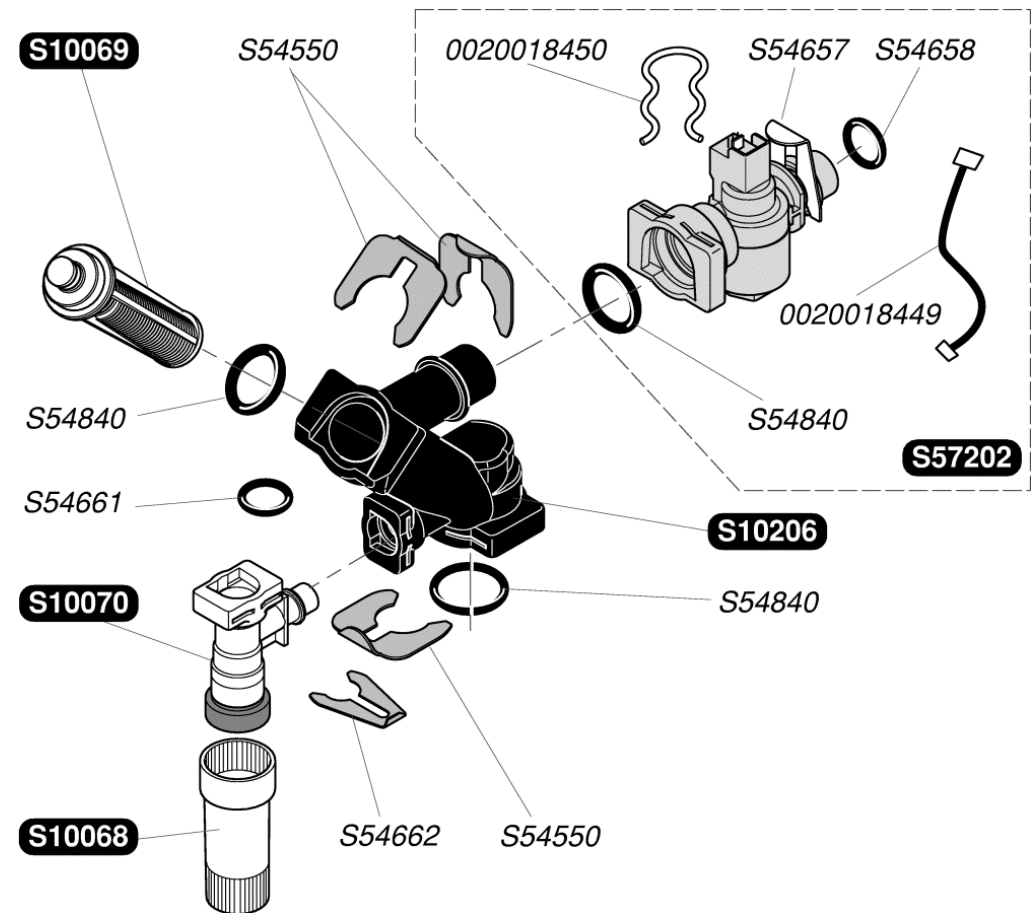
54659	50	Screw (pk50)
S10058	1	Domestic heat exchanger
S54660	20	Washer (pk20)



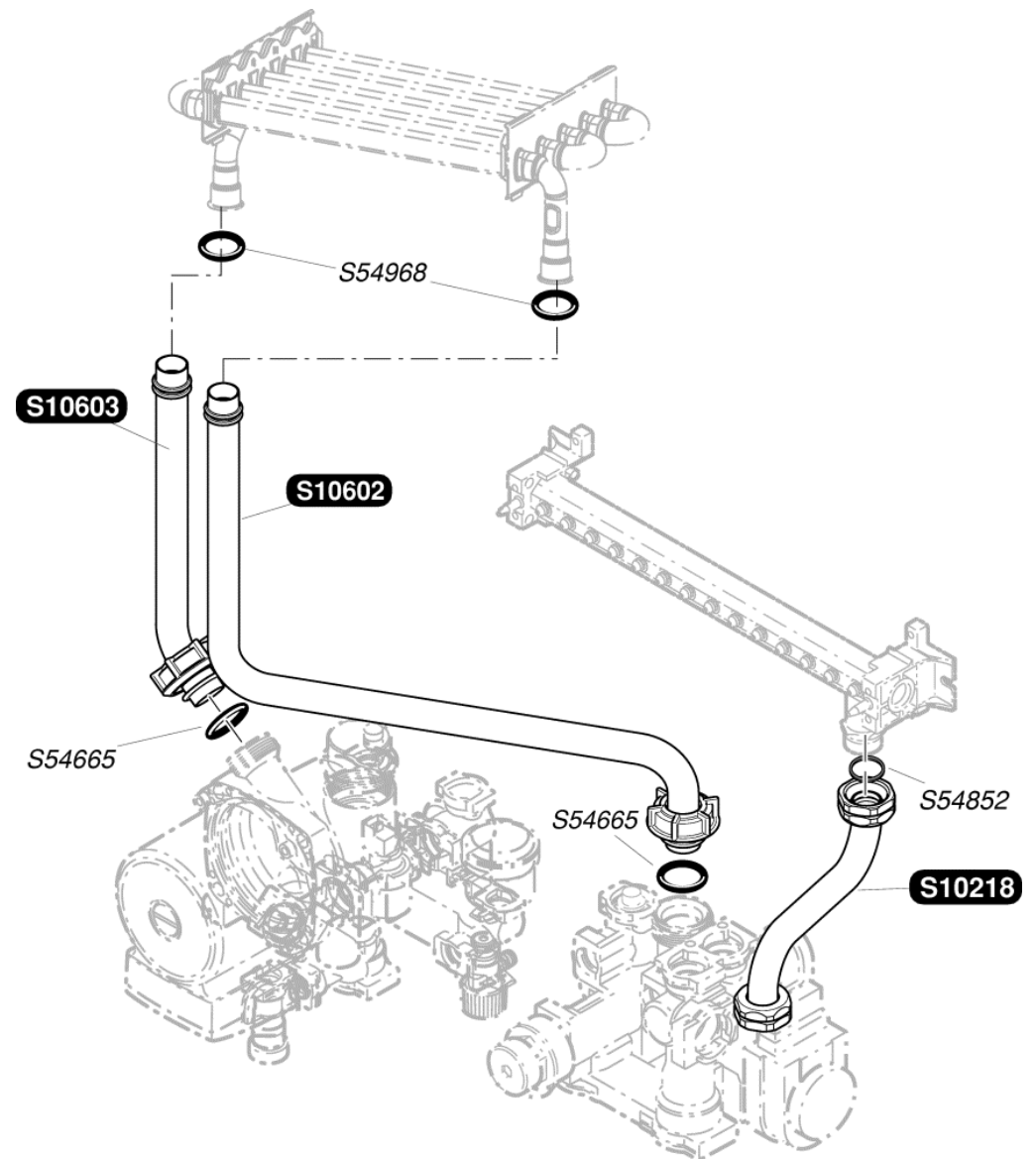
S10064	1	Non return valve
S10067	1	Heating valve 3bars
S10072	1	Non-return valve
S10208	1	Diverter valve
S52617	1	Bypass
S54215	25	O ring (pk25)
S54550	10	Clip Ø20 (pk10)
S54657	10	Clip Ø18 (pk10)
S54661	20	O ring (pk20)
S54662	10	Clip (pk10)
S54663	10	Clip (pk10)
S54665	20	O ring (pk20)
S54840	10	O ring (pk10)
S54909	15	Clip (pk15)
S57206	1	Motor diverter valve



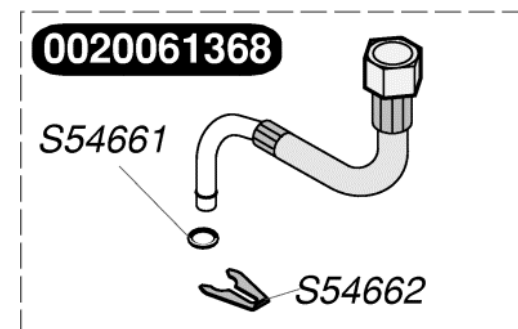
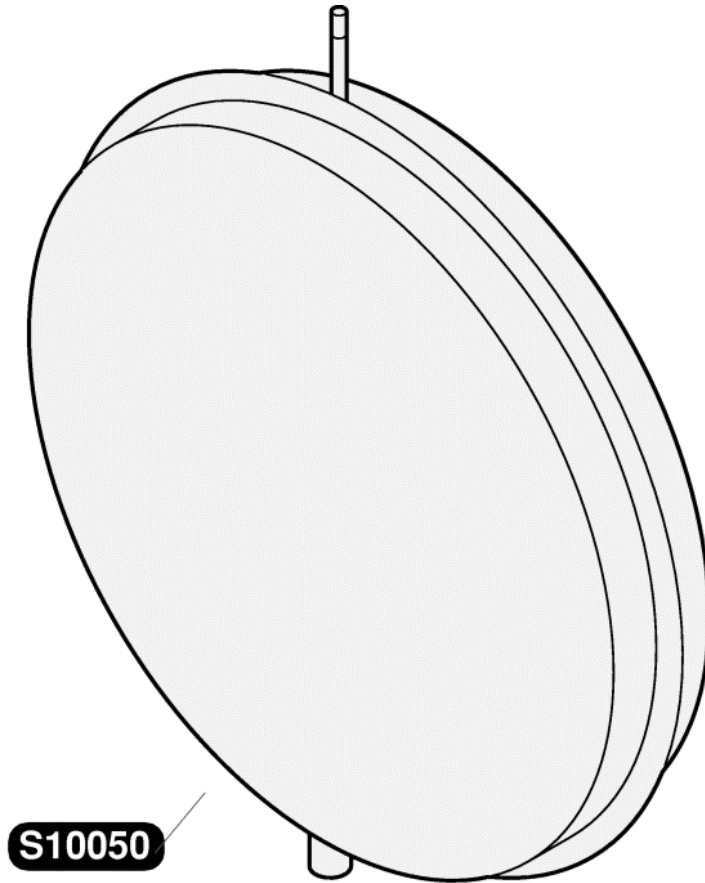
0020018449	5	Domestic hot water sensor cable
0020018450	10	Clip (pk10)
S10068	1	Handle extension adapter
S10069	1	Filter d.h.w
S10070	1	Filling cock
S10206	1	Z pipe
S54550	10	Clip Ø20 (pk10)
S54657	10	Clip Ø18 (pk10)
S54658	20	O ring (pk 20)
S54661	20	O ring (pk20)
S54662	10	Clip (pk10)
S54840	10	O ring (pk10)
S57202	1	Domestic hot water sensor



S10218	1	Gas pipe
S10602	1	Pipe : pomp / 3 way valve
S10603	1	Pipe pomp / heat exchanger
S54665	20	O ring (pk20)
S54852	100	Gasket (PK100)
S54968	50	O ring (pk50)



0020061368	1	Hose expansion vessel
S10050	1	Expansion vessel 5L
S54661	20	O ring (pk20)
S54662	10	Clip (pk10)



54667	10		Clip (pk10)
S10120	50		Washer
S10123	25		Screw
S10125	10	D	Flow limiter 12L
S10256	1		Heating cock
S10257	1		Clod water tap
S10297	1		Connection (hot water)
S10304	1		Washer bag + limiter 12L
S10361	1		Gas tap
S10362	1		Washer bag
S54182	100		Washer (pk100)
S54851	100		Washer (pk100)
S54852	100		Gasket (PK100)

