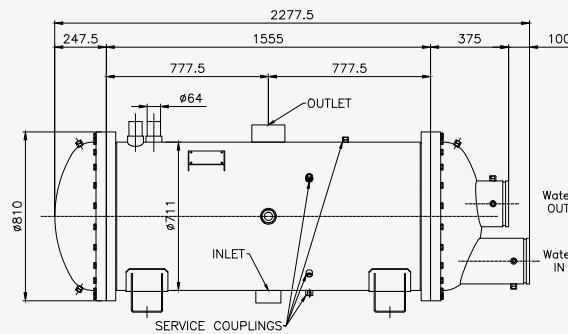


	Tevap = 5°C		Water IN/OUT = 12/7°C		F.F. = 0.016m <sup>2</sup> K/kW
EF Model	R134a Capacity kW	R22 Capacity kW	Volume gas dm <sup>3</sup>	Volume H <sub>2</sub> O dm <sup>3</sup>	Weight kg
EF7115185	610	720	476	205	1115
EF7115190	626	739	474	207	1118
EF7115195	642	758	472	209	1121
EF7115200	658	777	470	211	1125
EF7115205	674	796	468	213	1128
EF7115210	690	815	466	215	1131
EF7115215	707	834	464	217	1134
EF7115220	723	853	462	219	1137
EF7115225	739	872	459	220	1140
EF7115230	755	891	457	222	1144
EF7115235	771	910	455	224	1147
EF7115240	787	929	453	226	1150
EF7115245	803	948	451	228	1153
EF7115250	819	967	449	230	1156
EF7115255	835	986	447	232	1159
EF7115260	851	1005	445	234	1163
EF7115265	867	1024	443	236	1166
EF7115270	883	1043	441	238	1169
EF7115275	900	1061	439	240	1172
EF7115280	916	1080	437	242	1175
EF7115285	932	1099	435	244	1178
EF7115290	948	1118	433	246	1182
EF7115295	964	1137	431	248	1185
EF7115300	980	1156	429	250	1188
EF7115305	996	1175	426	251	1191
EF7115310	1012	1194	424	253	1194
EF7115315	1028	1213	422	255	1198
EF7115320	1044	1232	420	257	1201
EF7115325	1060	1251	418	259	1204
EF7115330	1077	1270	416	261	1207
EF7115335	1093	1289	414	263	1210
EF7115340	1109	1308	412	265	1213
EF7115345	1125	1327	410	267	1217
EF7115350	1141	1346	408	269	1220
EF7115355	1157	1365	406	271	1223
EF7115360	1173	1384	404	273	1226
EF7115365	1189	1403	402	275	1229
EF7115370	1205	1422	400	277	1232
EF7115375	1221	1441	398	279	1236
EF7115380	1237	1460	395	280	1239
EF7115385	1253	1479	393	282	1242
EF7115390	1270	1498	391	284	1245

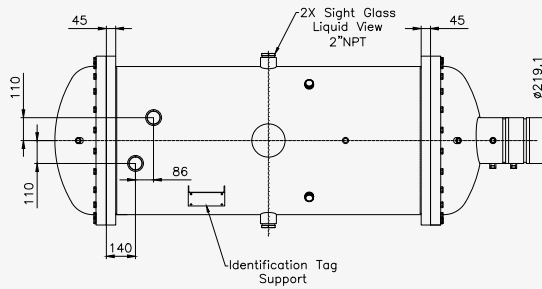
\* Please contact technical dept. at PROVIDES S.r.l. for more info

	Tevap = 5°C	Water IN/OUT = 12/7°C	F.F. = 0.016m <sup>2</sup> K/kW		
EF Model	R134a Capacity kW	R22 Capacity kW	Volume gas dm <sup>3</sup>	Volume H <sub>2</sub> O dm <sup>3</sup>	Weight kg
EF7115395	1286	1517	389	286	1248
EF7115400	1302	1536	387	288	1251
EF7115405	1318	1555	385	290	1255
EF7115410	1334	1574	383	292	1258
EF7115415	1350	1593	381	294	1261

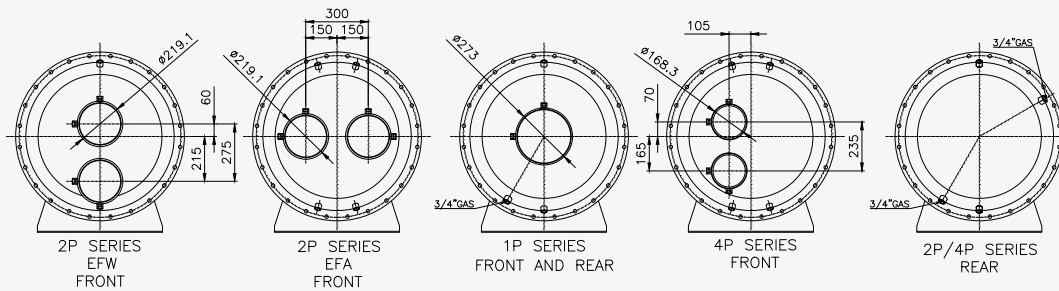
\* Please contact technical dept. at PROVIDES S.r.l. for more info



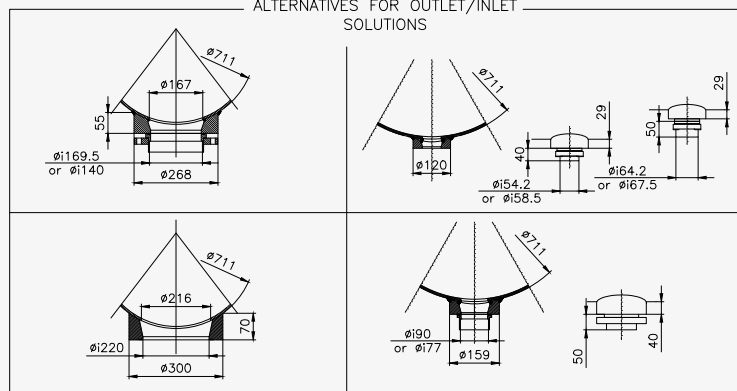
- ALTERNATIVES FOR SERVICE COUPLING
- COUPLING 1/2"NPT
  - COUPLING 3/8"NPT
  - COUPLING 1/4"NPT
  - COUPLING 1"NPT
  - ROTA LOCK 1 1/4-12UNF
  - ROTA LOCK 1 3/4-12UNF



ALTERNATIVE CARBON STEEL HEADERS



ALTERNATIVES FOR OUTLET/INLET SOLUTIONS

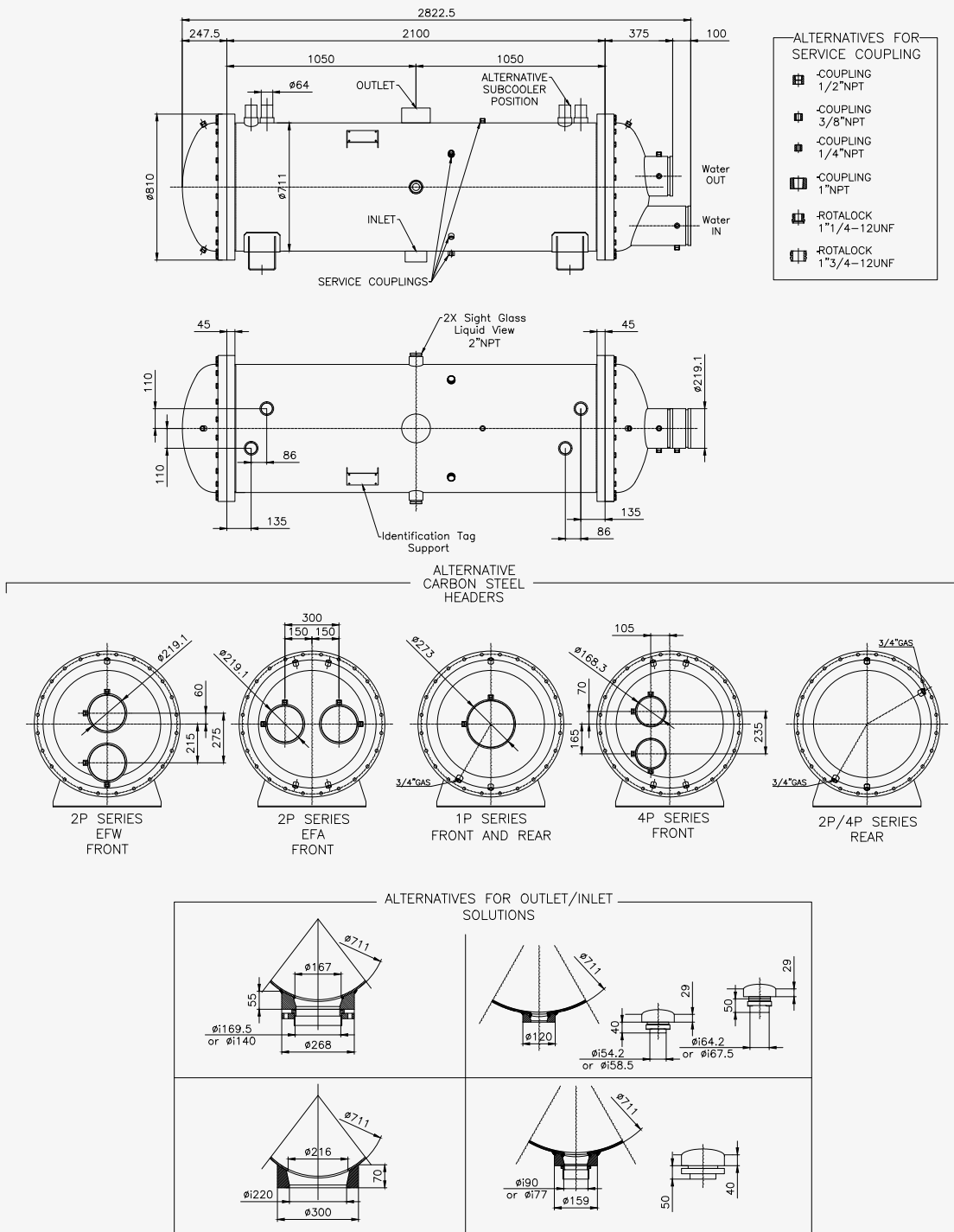


Tevap = 5°C		Water IN/OUT = 12/7°C		F.F. = 0.016m²K/kW	
EF Model	R134a Capacity kW	R22 Capacity kW	Volume gas dm³	Volume H <sub>2</sub> O dm³	Weight kg
EF7121185	1020	1204	654	230	1299
EF7121190	1047	1235	651	233	1304
EF7121195	1073	1267	648	235	1308
EF7121200	1100	1298	645	238	1313
EF7121205	1127	1330	643	240	1318
EF7121210	1154	1361	640	243	1322
EF7121215	1180	1393	637	246	1327
EF7121220	1207	1424	634	248	1332
EF7121225	1234	1456	631	251	1337
EF7121230	1261	1488	628	253	1341
EF7121235	1287	1519	626	256	1346
EF7121240	1314	1551	623	259	1351
EF7121245	1341	1582	620	261	1355
EF7121250	1368	1614	617	264	1360
EF7121255	1394	1645	614	267	1365
EF7121260	1421	1677	611	269	1369
EF7121265	1448	1708	608	272	1374
EF7121270	1475	1740	606	274	1379
EF7121275	1501	1772	603	277	1384
EF7121280	1528	1803	600	280	1388
EF7121285	1555	1835	597	282	1393
EF7121290	1582	1866	594	285	1398
EF7121295	1608	1898	591	287	1402
EF7121300	1635	1929	589	290	1407
EF7121305	1662	1961	586	293	1412
EF7121310	1688	1992	583	295	1416
EF7121315	1715	2024	580	298	1421
EF7121320	1742	2056	577	300	1426
EF7121325	1769	2087	574	303	1430
EF7121330	1795	2119	571	306	1435
EF7121335	1822	2150	569	308	1440
EF7121340	1849	2182	566	311	1445
EF7121345	1876	2213	563	313	1449
EF7121350	1902	2245	560	316	1454
EF7121355	1929	2276	557	319	1459
EF7121360	1956	2308	554	321	1463
EF7121365	1983	2339	551	324	1468
EF7121370	2009	2371	549	327	1473
EF7121375	2036	2403	546	329	1477
EF7121380	2063	2434	543	332	1482
EF7121385	2090	2466	540	334	1487
EF7121390	2116	2497	537	337	1492

\* Please contact technical dept. at PROVIDES S.r.l. for more info

	Tevap = 5°C	Water IN/OUT = 12/7°C	F.F. = 0.016m <sup>2</sup> K/kW		
EF Model	R134a Capacity kW	R22 Capacity kW	Volume gas dm <sup>3</sup>	Volume H <sub>2</sub> O dm <sup>3</sup>	Weight kg
EF7121395	2143	2529	534	340	1496
EF7121400	2170	2560	532	342	1501
EF7121405	2197	2592	529	345	1506
EF7121410	2223	2623	526	347	1510
EF7121415	2250	2655	523	350	1515

\* Please contact technical dept. at PROVIDES S.r.l. for more info

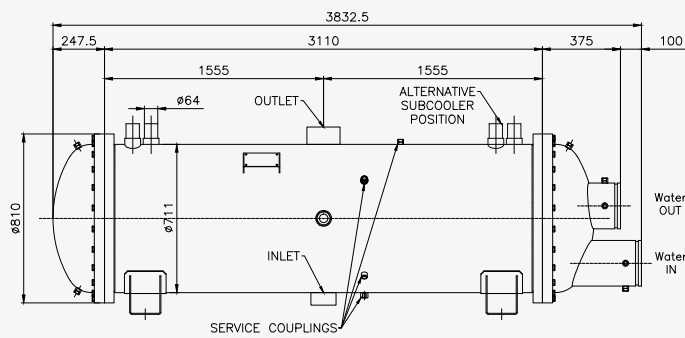


Tevap = 5°C		Water IN/OUT = 12/7°C		F.F. = 0.016m²K/kW	
EF Model	R134a Capacity kW	R22 Capacity kW	Volume gas dm³	Volume H <sub>2</sub> O dm³	Weight kg
EF7131185	1300	1534	985	277	1488
EF7131190	1333	1572	981	281	1496
EF7131195	1365	1611	976	285	1503
EF7131200	1398	1649	972	289	1511
EF7131205	1430	1688	968	292	1518
EF7131210	1463	1726	963	296	1526
EF7131215	1496	1765	959	300	1533
EF7131220	1528	1803	955	304	1541
EF7131225	1561	1842	950	308	1548
EF7131230	1593	1880	946	312	1556
EF7131235	1626	1919	942	315	1563
EF7131240	1659	1957	937	319	1571
EF7131245	1691	1996	933	323	1578
EF7131250	1724	2034	929	327	1586
EF7131255	1757	2073	924	331	1593
EF7131260	1789	2111	920	335	1601
EF7131265	1822	2150	916	339	1608
EF7131270	1854	2188	911	342	1616
EF7131275	1887	2227	907	346	1623
EF7131280	1920	2265	903	350	1631
EF7131285	1952	2304	898	354	1638
EF7131290	1985	2342	894	358	1646
EF7131295	2017	2381	890	362	1653
EF7131300	2050	2419	886	366	1661
EF7131305	2083	2457	881	369	1668
EF7131310	2115	2496	877	373	1676
EF7131315	2148	2534	873	377	1683
EF7131320	2180	2573	868	381	1691
EF7131325	2213	2611	864	385	1698
EF7131330	2246	2650	860	389	1706
EF7131335	2278	2688	855	392	1713
EF7131340	2311	2727	851	396	1721
EF7131345	2343	2765	847	400	1728
EF7131350	2376	2804	842	404	1736
EF7131355	2409	2842	838	408	1743
EF7131360	2441	2881	834	412	1751
EF7131365	2474	2919	829	416	1758
EF7131370	2507	2958	825	419	1766
EF7131375	2539	2996	821	423	1773
EF7131380	2572	3035	816	427	1781
EF7131385	2604	3073	812	431	1788
EF7131390	2637	3112	808	435	1796

\* Please contact technical dept. at PROVIDES S.r.l. for more info

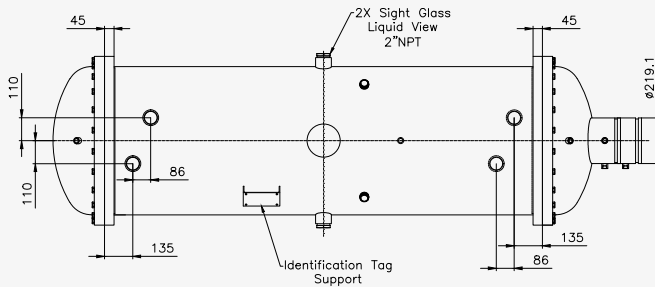
	Tevap = 5°C	Water IN/OUT = 12/7°C	F.F. = 0.016m²K/kW		
EF Model	R134a Capacity kW	R22 Capacity kW	Volume gas dm³	Volume H <sub>2</sub> O dm³	Weight kg
EF7131395	2670	3150	803	439	1803
EF7131400	2702	3189	799	442	1811
EF7131405	2735	3227	795	446	1818
EF7131410	2767	3266	790	450	1826
EF7131415	2800	3304	786	454	1833

\* Please contact technical dept. at PROVIDES S.r.l. for more info

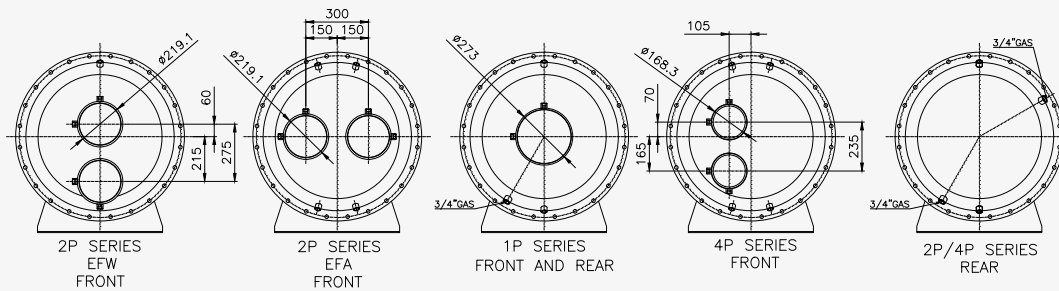


ALTERNATIVES FOR SERVICE COUPLING

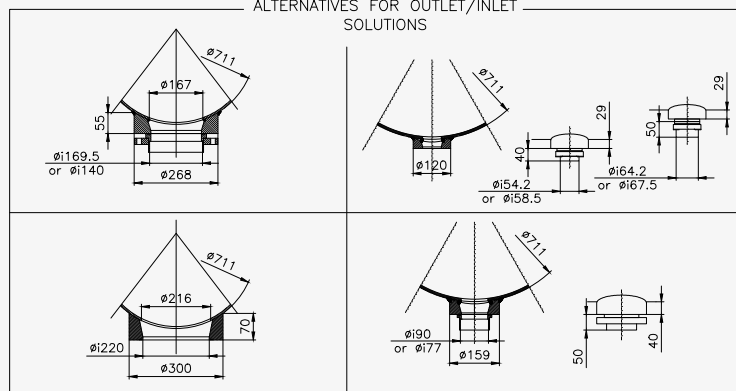
- ☐ COUPLING 1/2"NPT
- ☐ COUPLING 3/8"NPT
- ☐ COUPLING 1/4"NPT
- ☐ COUPLING 1"NPT
- ☐ ROTALOCK 1"1/4-12UNF
- ☐ ROTALOCK 1"3/4-12UNF



ALTERNATIVE CARBON STEEL HEADERS



ALTERNATIVES FOR OUTLET/INLET SOLUTIONS



Tevap = 5°C		Water IN/OUT = 12/7°C		F.F. = 0.016m²K/kW	
EF Model	R134a Capacity kW	R22 Capacity kW	Volume gas dm³	Volume H <sub>2</sub> O dm³	Weight kg
EF7142185	2100	2478	1341	327	1855
EF7142190	2154	2542	1335	332	1866
EF7142195	2209	2606	1329	337	1876
EF7142200	2263	2670	1323	343	1887
EF7142205	2317	2735	1317	348	1897
EF7142210	2372	2799	1312	353	1908
EF7142215	2426	2863	1306	358	1918
EF7142220	2480	2927	1300	363	1929
EF7142225	2535	2991	1294	368	1939
EF7142230	2589	3055	1288	374	1950
EF7142235	2643	3119	1282	379	1960
EF7142240	2698	3183	1276	384	1971
EF7142245	2752	3248	1270	389	1982
EF7142250	2807	3312	1264	394	1992
EF7142255	2861	3376	1259	399	2003
EF7142260	2915	3440	1253	405	2013
EF7142265	2970	3504	1247	410	2024
EF7142270	3024	3568	1241	415	2034
EF7142275	3078	3632	1235	420	2045
EF7142280	3133	3696	1229	425	2055
EF7142285	3187	3761	1223	430	2066
EF7142290	3241	3825	1217	436	2076
EF7142295	3296	3889	1211	441	2087
EF7142300	3350	3953	1206	446	2098
EF7142305	3404	4017	1200	451	2108
EF7142310	3459	4081	1194	456	2119
EF7142315	3513	4145	1188	462	2129
EF7142320	3567	4210	1182	467	2140
EF7142325	3622	4274	1176	472	2150
EF7142330	3676	4338	1170	477	2161
EF7142335	3730	4402	1164	482	2171
EF7142340	3785	4466	1158	487	2182
EF7142345	3839	4530	1152	493	2192
EF7142350	3893	4594	1147	498	2203
EF7142355	3948	4658	1141	503	2213
EF7142360	4002	4723	1135	508	2224
EF7142365	4057	4787	1129	513	2235
EF7142370	4111	4851	1123	518	2245
EF7142375	4165	4915	1117	524	2256
EF7142380	4220	4979	1111	529	2266
EF7142385	4274	5043	1105	534	2277
EF7142390	4328	5107	1099	539	2287

\* Please contact technical dept. at PROVIDES S.r.l. for more info

	Tevap = 5°C	Water IN/OUT = 12/7°C	F.F. = 0.016m <sup>2</sup> /K/kW		
EF Model	R134a Capacity kW	R22 Capacity kW	Volume gas dm <sup>3</sup>	Volume H <sub>2</sub> O dm <sup>3</sup>	Weight kg
EF7142395	4383	5171	1094	544	2298
EF7142400	4437	5236	1088	549	2308
EF7142405	4491	5300	1082	555	2319
EF7142410	4546	5364	1076	560	2329
EF7142415	4600	5428	1070	565	2340

\* Please contact technical dept. at PROVIDES S.r.l. for more info

