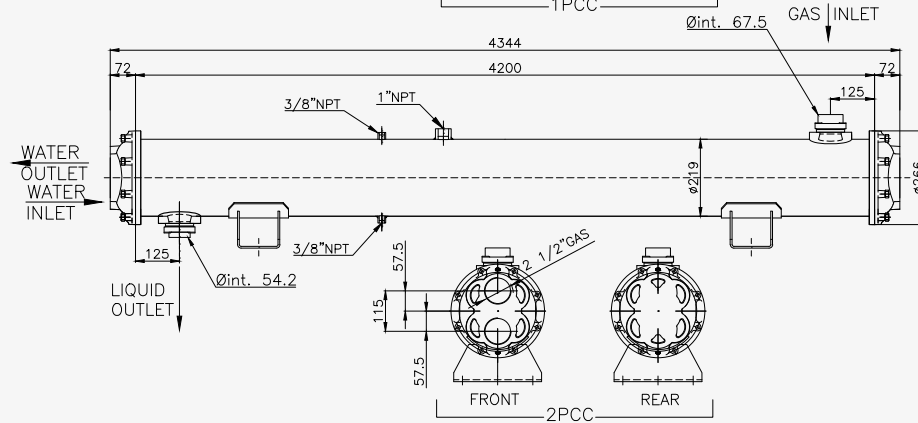
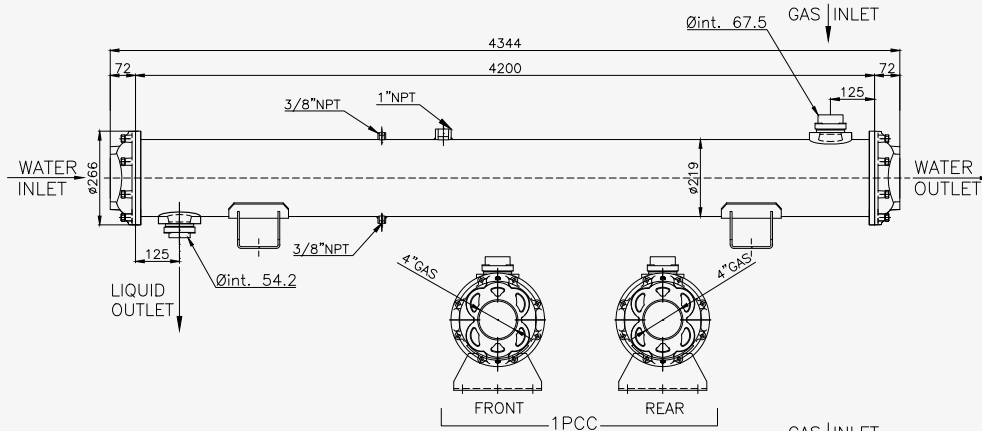
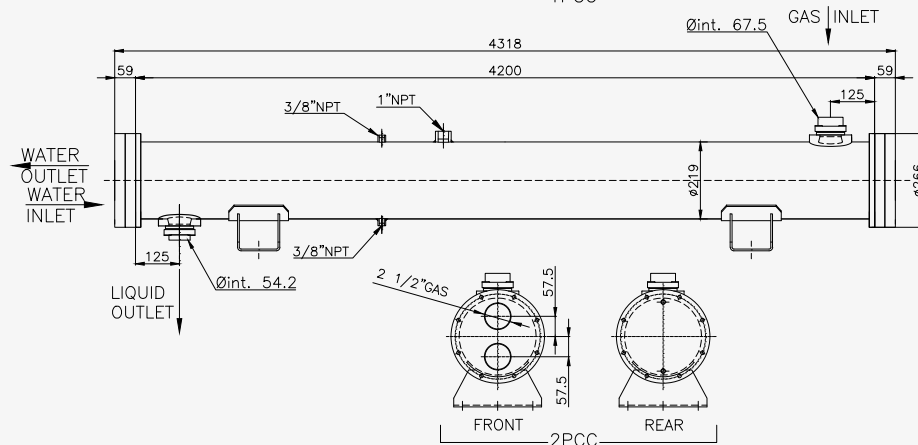
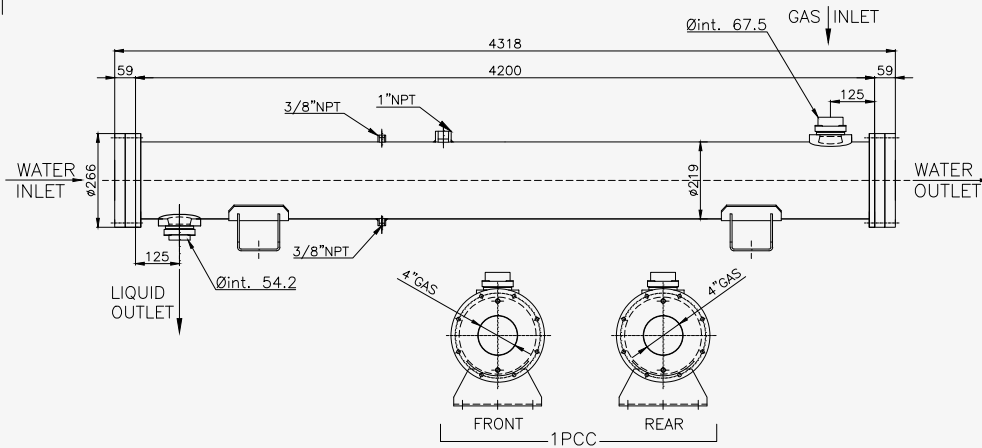


Tcond = 40°C Water IN/OUT = 30/35°C SC = 3 K F.F. = 0.016m ² K/kW							
CB Model	R134a Capacity kW	R407C Capacity kW	R410A Capacity kW	R22 Capacity kW	Volume gas dm ³	Volume H ₂ O dm ³	Weight kg
CBCC2142018	376	250	373	384	115	21	234
CBCC2142020	418	278	415	428	113	23	238
CBCC2142022	460	307	457	473	110	25	242
CBCC2142024	502	335	499	517	108	27	246
CBCC2142026	544	363	541	562	105	29	250
CBCC2142028	586	391	584	606	103	31	255
CBCC2142030	628	419	626	651	101	33	259
CBCC2142032	671	447	668	695	98	35	263
CBCC2142034	713	475	710	740	96	37	267
CBCC2142036	755	503	752	784	93	40	271
CBCC2142038	797	531	794	829	91	42	275
CBCC2142040	839	559	836	873	88	44	279
CBCC2142042	881	588	878	918	86	46	283
CBCC2142044	923	616	920	962	84	48	288
CBCC2142046	966	644	962	1007	81	50	292
CBCC2142048	1008	672	1004	1051	79	52	296
CBCC2142050	1050	700	1046	1096	76	54	300
CBCC2142052	1092	728	1088	1140	74	56	304

* Please contact technical dept. at PROVIDES S.r.l. for more info

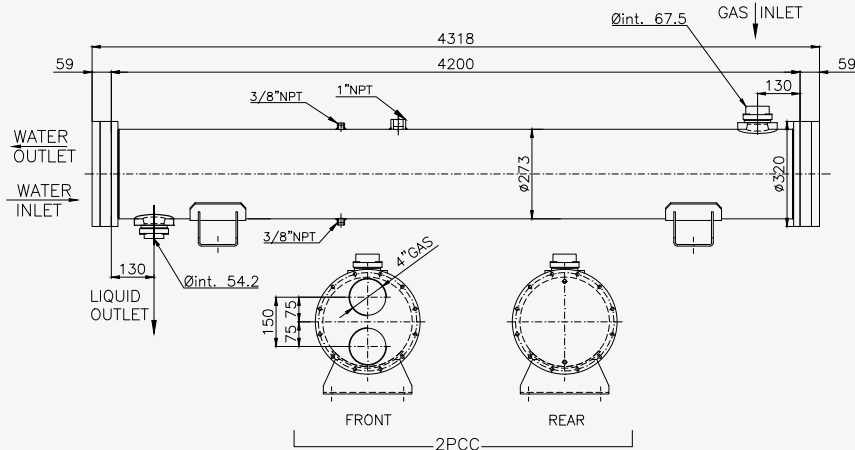
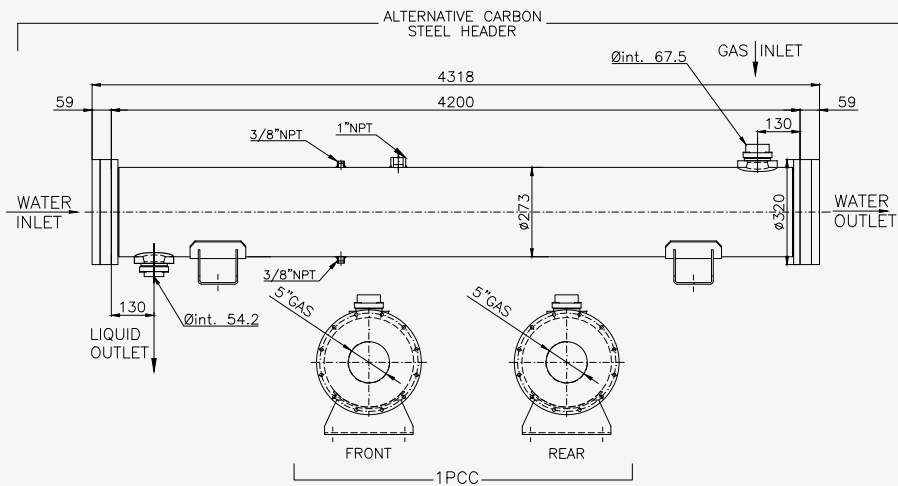
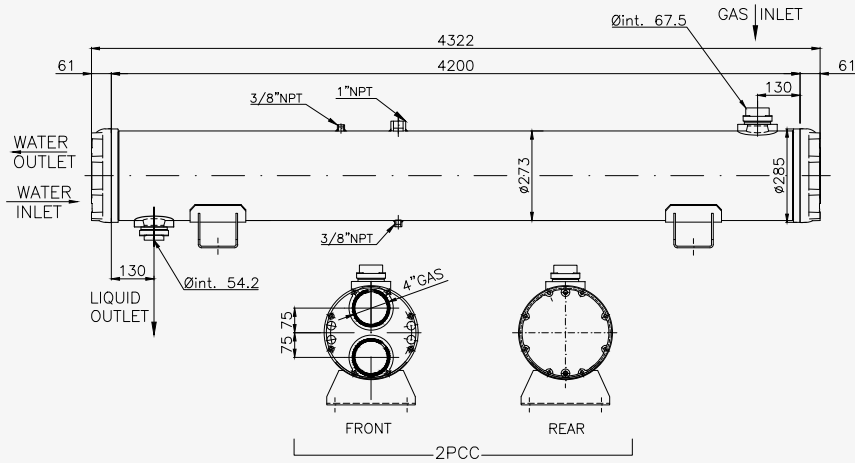
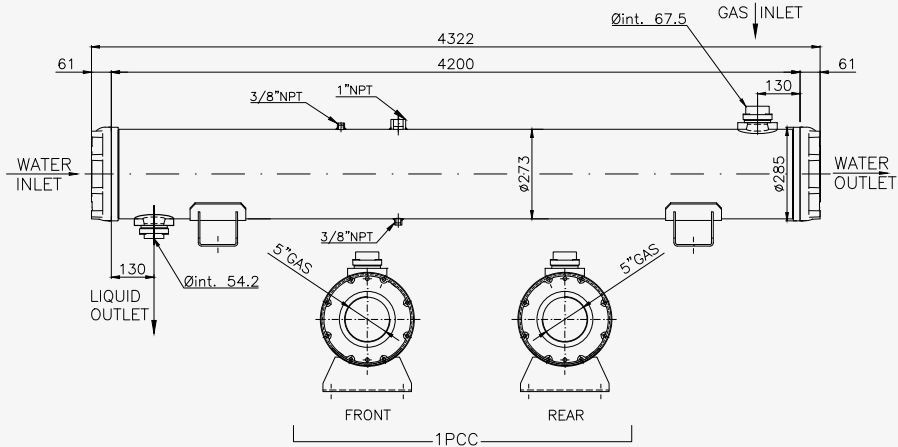


ALTERNATIVE CARBON STEEL HEADER



Tcond = 40°C Water IN/OUT = 30/35°C SC = 3 K F.F. = 0.016m²K/kW							
CB Model	R134a Capacity kW	R407C Capacity kW	R410A Capacity kW	R22 Capacity kW	Volume gas dm³	Volume H ₂ O dm³	Weight kg
CBCC2742026	544	362	540	562	186	30	329
CBCC2742028	585	390	581	606	184	32	333
CBCC2742030	627	418	623	650	181	34	337
CBCC2742032	668	445	664	695	179	36	341
CBCC2742034	710	473	705	739	177	38	345
CBCC2742036	751	501	747	783	174	40	349
CBCC2742038	793	528	788	828	172	42	352
CBCC2742040	834	556	830	872	169	44	356
CBCC2742042	876	584	871	916	167	47	360
CBCC2742044	917	611	912	961	165	49	364
CBCC2742046	959	639	954	1005	162	51	368
CBCC2742048	1000	667	995	1049	160	53	372
CBCC2742050	1042	695	1036	1094	158	55	376
CBCC2742052	1083	722	1078	1138	155	57	380
CBCC2742054	1125	750	1119	1182	153	59	384
CBCC2742056	1166	778	1160	1226	150	61	388
CBCC2742058	1208	805	1202	1271	148	63	392
CBCC2742060	1249	833	1243	1315	146	65	395
CBCC2742062	1291	861	1285	1359	143	67	399
CBCC2742064	1332	888	1326	1404	141	69	403
CBCC2742066	1374	916	1367	1448	139	71	407
CBCC2742068	1415	944	1409	1492	136	73	411
CBCC2742070	1457	971	1450	1537	134	75	415
CBCC2742072	1498	999	1491	1581	131	77	419
CBCC2742074	1540	1027	1533	1625	129	80	423
CBCC2742076	1581	1054	1574	1670	127	82	427
CBCC2742078	1623	1082	1615	1714	124	84	431
CBCC2742080	1664	1110	1657	1758	122	86	434
CBCC2742082	1706	1137	1698	1803	120	88	438
CBCC2742084	1747	1165	1740	1847	117	90	442
CBCC2742086	1789	1193	1781	1891	115	92	446
CBCC2742088	1830	1220	1822	1936	112	94	450
CBCC2742090	1872	1248	1864	1980	110	96	454

* Please contact technical dept. at PROVIDES S.r.l. for more info

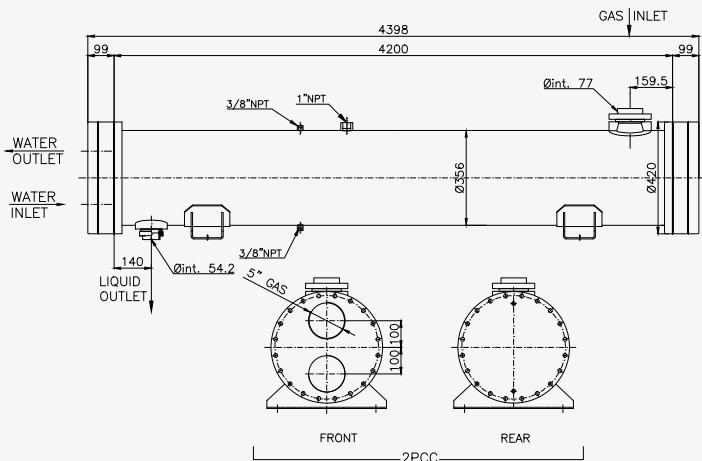
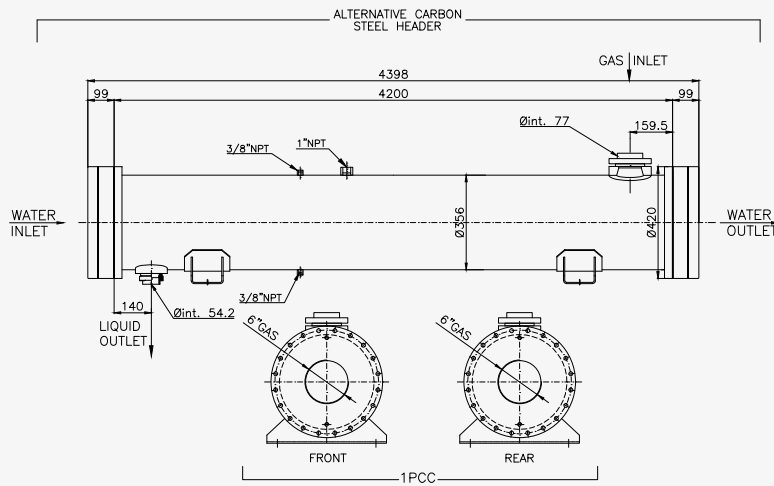
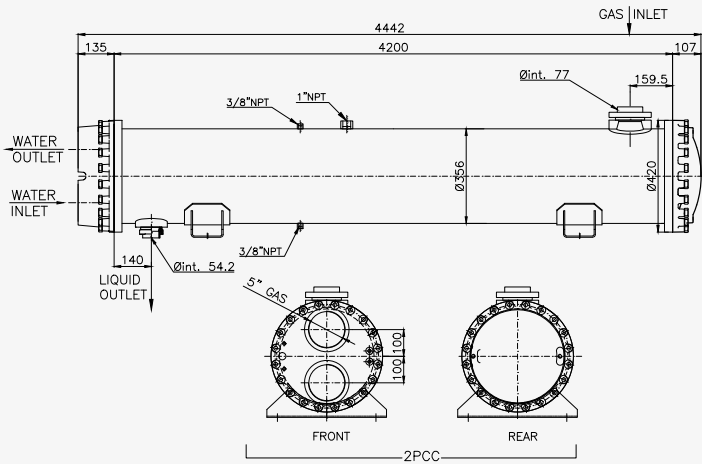
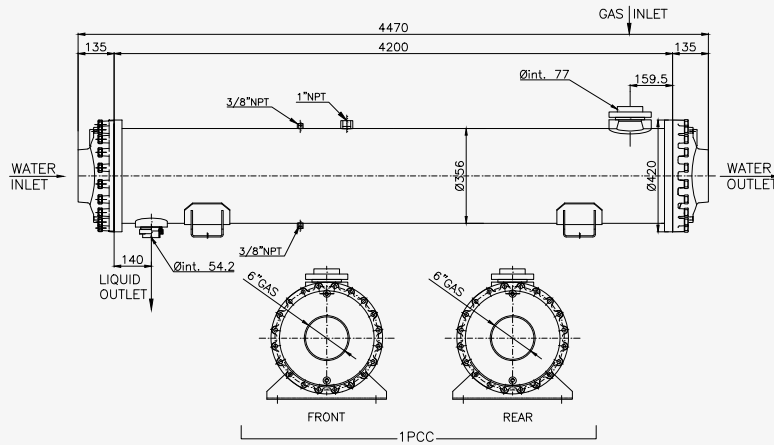


Tcond = 40°C Water IN/OUT = 30/35°C SC = 3 K F.F. = 0.016m²K/kW							
CB Model	R134a Capacity kW	R407C Capacity kW	R410A Capacity kW	R22 Capacity kW	Volume gas dm³	Volume H ₂ O dm³	Weight kg
CBCC3542048	1001	667	998	1049	312	55	608
CBCC3542050	1042	695	1040	1092	310	57	612
CBCC3542052	1083	722	1081	1136	308	58	616
CBCC3542054	1125	750	1122	1179	306	60	619
CBCC3542056	1166	777	1163	1222	304	62	623
CBCC3542058	1207	805	1205	1266	302	64	627
CBCC3542060	1248	832	1246	1309	300	65	631
CBCC3542062	1290	860	1287	1353	298	67	635
CBCC3542064	1331	887	1329	1396	296	69	639
CBCC3542066	1372	915	1370	1440	294	71	642
CBCC3542068	1414	942	1411	1483	292	72	646
CBCC3542070	1455	970	1452	1526	290	74	650
CBCC3542072	1496	997	1494	1570	288	76	654
CBCC3542074	1537	1025	1535	1613	286	78	658
CBCC3542076	1579	1052	1576	1657	284	79	662
CBCC3542078	1620	1080	1617	1700	281	81	665
CBCC3542080	1661	1107	1659	1743	279	83	669
CBCC3542082	1702	1135	1700	1787	277	84	673
CBCC3542084	1744	1162	1741	1830	275	86	677
CBCC3542086	1785	1190	1783	1874	273	88	681
CBCC3542088	1826	1217	1824	1917	271	90	684
CBCC3542090	1868	1245	1865	1961	269	91	688
CBCC3542092	1909	1273	1906	2004	267	93	692
CBCC3542094	1950	1300	1948	2047	265	95	696
CBCC3542096	1991	1328	1989	2091	263	97	700
CBCC3542098	2033	1355	2030	2134	261	98	704
CBCC3542100	2074	1383	2071	2178	259	100	707
CBCC3542102	2115	1410	2113	2221	257	102	711
CBCC3542104	2156	1438	2154	2264	255	104	715
CBCC3542106	2198	1465	2195	2308	253	105	719
CBCC3542108	2239	1493	2237	2351	251	107	723
CBCC3542110	2280	1520	2278	2395	249	109	726
CBCC3542112	2321	1548	2319	2438	247	110	730
CBCC3542114	2363	1575	2360	2481	245	112	734
CBCC3542116	2404	1603	2402	2525	243	114	738
CBCC3542118	2445	1630	2443	2568	241	116	742
CBCC3542120	2487	1658	2484	2612	239	117	746
CBCC3542122	2528	1685	2525	2655	237	119	749
CBCC3542124	2569	1713	2567	2699	235	121	753
CBCC3542126	2610	1740	2608	2742	233	123	757
CBCC3542128	2652	1768	2649	2785	231	124	761
CBCC3542130	2693	1795	2691	2829	229	126	765

* Please contact technical dept. at PROVIDES S.r.l. for more info

Tcond = 40°C Water IN/OUT = 30/35°C SC = 3 K F.F. = 0.016m²K/kW							
CB Model	R134a Capacity kW	R407C Capacity kW	R410A Capacity kW	R22 Capacity kW	Volume gas dm³	Volume H ₂ O dñ³	Weight kg
CBCC3542132	2734	1823	2732	2872	227	128	769
CBCC3542134	2775	1850	2773	2916	224	129	772
CBCC3542136	2817	1878	2814	2959	222	131	776
CBCC3542138	2858	1905	2856	3002	220	133	780
CBCC3542140	2899	1933	2897	3046	218	135	784
CBCC3542142	2941	1960	2938	3089	216	136	788
CBCC3542144	2982	1988	2979	3133	214	138	791
CBCC3542146	3023	2015	3021	3176	212	140	795
CBCC3542148	3064	2043	3062	3220	210	142	799
CBCC3542150	3106	2070	3103	3263	208	143	803

* Please contact technical dept. at PROVIDES S.r.l. for more info

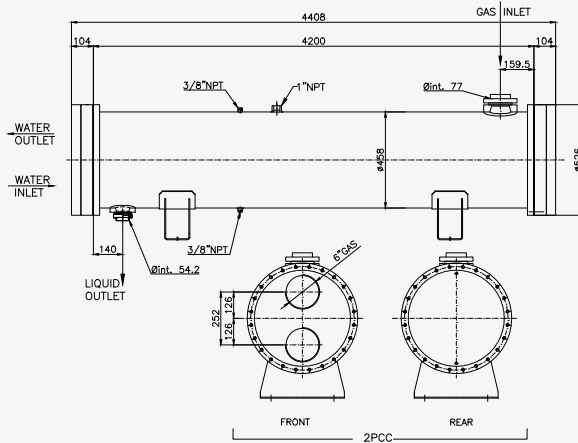
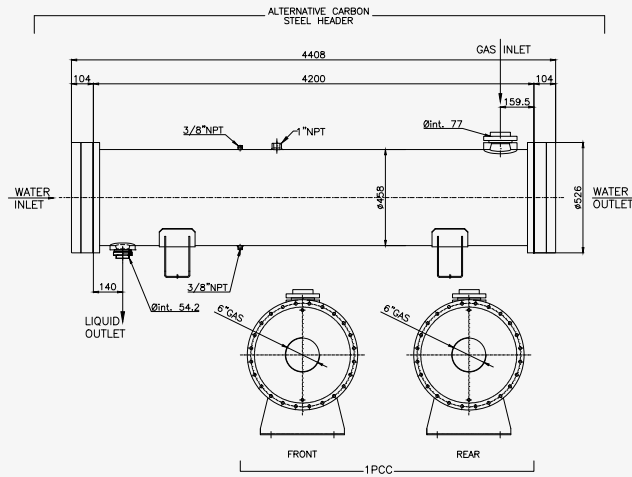
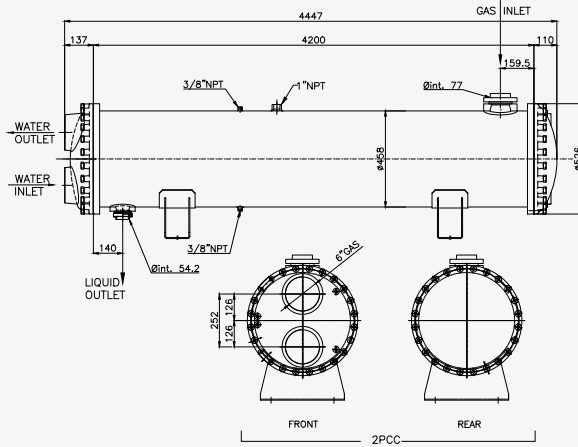
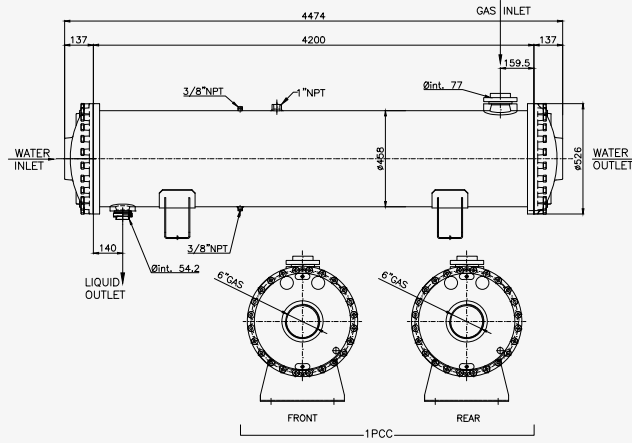


Tcond = 40°C Water IN/OUT = 30/35°C SC = 3 K F.F. = 0.016m²K/kW							
CB Model	R134a Capacity kW	R407C Capacity kW	R410A Capacity kW	R22 Capacity kW	Volume gas dm³	Volume H ₂ O dm³	Weight kg
CBCC4542112	2322	1548	2320	2438	488	118	1010
CBCC4542114	2364	1576	2362	2482	486	120	1014
CBCC4542116	2406	1604	2404	2526	484	121	1017
CBCC4542118	2448	1632	2446	2569	482	123	1021
CBCC4542120	2491	1660	2489	2613	480	125	1025
CBCC4542122	2533	1688	2531	2657	478	127	1029
CBCC4542124	2575	1717	2573	2700	476	128	1032
CBCC4542126	2617	1745	2615	2744	474	130	1036
CBCC4542128	2659	1773	2658	2787	472	132	1040
CBCC4542130	2701	1801	2700	2831	470	133	1044
CBCC4542132	2743	1829	2742	2875	468	135	1047
CBCC4542134	2786	1857	2784	2918	466	137	1051
CBCC4542136	2828	1885	2827	2962	464	139	1055
CBCC4542138	2870	1913	2869	3006	462	140	1059
CBCC4542140	2912	1941	2911	3049	460	142	1062
CBCC4542142	2954	1969	2953	3093	458	144	1066
CBCC4542144	2996	1998	2996	3137	456	145	1070
CBCC4542146	3038	2026	3038	3180	454	147	1074
CBCC4542148	3081	2054	3080	3224	452	149	1077
CBCC4542150	3123	2082	3122	3267	450	151	1081
CBCC4542152	3165	2110	3165	3311	448	152	1085
CBCC4542154	3207	2138	3207	3355	446	154	1089
CBCC4542156	3249	2166	3249	3398	444	156	1092
CBCC4542158	3291	2194	3291	3442	442	157	1096
CBCC4542160	3333	2222	3333	3486	440	159	1100
CBCC4542162	3376	2250	3376	3529	438	161	1104
CBCC4542164	3418	2279	3418	3573	436	162	1107
CBCC4542166	3460	2307	3460	3617	434	164	1111
CBCC4542168	3502	2335	3502	3660	432	166	1115
CBCC4542170	3544	2363	3545	3704	430	168	1119
CBCC4542172	3586	2391	3587	3747	428	169	1122
CBCC4542174	3628	2419	3629	3791	426	171	1126
CBCC4542176	3671	2447	3671	3835	424	173	1130
CBCC4542178	3713	2475	3714	3878	422	174	1134
CBCC4542180	3755	2503	3756	3922	420	176	1137
CBCC4542182	3797	2531	3798	3966	418	178	1141
CBCC4542184	3839	2559	3840	4009	416	180	1145
CBCC4542186	3881	2588	3883	4053	414	181	1149
CBCC4542188	3923	2616	3925	4096	412	183	1152
CBCC4542190	3966	2644	3967	4140	410	185	1156
CBCC4542192	4008	2672	4009	4184	408	186	1160
CBCC4542194	4050	2700	4052	4227	406	188	1164

* Please contact technical dept. at PROVIDES S.r.l. for more info

Tcond = 40°C Water IN/OUT = 30/35°C SC = 3 K F.F. = 0.016m²K/kW							
CB Model	R134a Capacity kW	R407C Capacity kW	R410A Capacity kW	R22 Capacity kW	Volume gas dm³	Volume H ₂ O dm³	Weight kg
CBCC4542196	4092	2728	4094	4271	404	190	1167
CBCC4542198	4134	2756	4136	4315	402	192	1171
CBCC4542200	4176	2784	4178	4358	400	193	1175
CBCC4542202	4219	2812	4221	4402	398	195	1179
CBCC4542204	4261	2840	4263	4446	396	197	1182
CBCC4542206	4303	2869	4305	4489	394	198	1186
CBCC4542208	4345	2897	4347	4533	392	200	1190
CBCC4542210	4387	2925	4390	4576	390	202	1194
CBCC4542212	4429	2953	4432	4620	388	204	1197
CBCC4542214	4471	2981	4474	4664	386	205	1201
CBCC4542216	4514	3009	4516	4707	384	207	1205
CBCC4542218	4556	3037	4559	4751	382	209	1209
CBCC4542220	4598	3065	4601	4795	380	210	1212
CBCC4542222	4640	3093	4643	4838	378	212	1216
CBCC4542224	4682	3121	4685	4882	376	214	1220
CBCC4542226	4724	3149	4728	4926	374	216	1224
CBCC4542228	4766	3178	4770	4969	372	217	1227
CBCC4542230	4809	3206	4812	5013	370	219	1231
CBCC4542232	4851	3234	4854	5056	368	221	1235
CBCC4542234	4893	3262	4897	5100	366	222	1239
CBCC4542236	4935	3290	4939	5144	364	224	1242
CBCC4542238	4977	3318	4981	5187	362	226	1246
CBCC4542240	5019	3346	5023	5231	360	227	1250
CBCC4542242	5061	3374	5066	5275	358	229	1254
CBCC4542244	5104	3402	5108	5318	356	231	1257
CBCC4542246	5146	3430	5150	5362	354	233	1261
CBCC4542248	5188	3459	5192	5405	352	234	1265
CBCC4542250	5230	3487	5235	5449	350	236	1269
CBCC4542252	5272	3515	5277	5493	348	238	1272
CBCC4542254	5314	3543	5319	5536	346	239	1276
CBCC4542256	5356	3571	5361	5580	344	241	1280
CBCC4542258	5399	3599	5404	5624	342	243	1284
CBCC4542260	5441	3627	5446	5667	340	245	1287
CBCC4542262	5483	3655	5488	5711	338	246	1291

* Please contact technical dept. at PROVIDES S.r.l. for more info



Tcond = 40°C Water IN/OUT = 30/35°C SC = 3 K F.F. = 0.016m²K/kW							
CB Model	R134a Capacity kW	R407C Capacity kW	R410A Capacity kW	R22 Capacity kW	Volume gas dm³	Volume H ₂ O dm³	Weight kg
CBCC6142240	5020	3346	5028	5231	844	375	1677
CBCC6142242	5061	3374	5070	5274	842	377	1681
CBCC6142244	5102	3401	5112	5316	839	379	1685
CBCC6142246	5143	3428	5153	5359	837	381	1689
CBCC6142248	5184	3456	5195	5402	835	383	1693
CBCC6142250	5224	3483	5237	5445	832	385	1696
CBCC6142252	5265	3510	5279	5488	830	387	1700
CBCC6142254	5306	3538	5320	5531	828	389	1704
CBCC6142256	5347	3565	5362	5574	825	391	1708
CBCC6142258	5388	3592	5404	5616	823	394	1712
CBCC6142260	5429	3620	5446	5659	821	396	1716
CBCC6142262	5470	3647	5487	5702	818	398	1720
CBCC6142264	5511	3674	5529	5745	816	400	1724
CBCC6142266	5552	3702	5571	5788	814	402	1727
CBCC6142268	5593	3729	5613	5831	811	404	1731
CBCC6142270	5634	3756	5654	5873	809	406	1735
CBCC6142272	5675	3783	5696	5916	807	408	1739
CBCC6142274	5716	3811	5738	5959	804	410	1743
CBCC6142276	5757	3838	5780	6002	802	412	1747
CBCC6142278	5798	3865	5821	6045	800	414	1751
CBCC6142280	5839	3893	5863	6088	797	416	1755
CBCC6142282	5880	3920	5905	6130	795	418	1759
CBCC6142284	5921	3947	5947	6173	793	420	1762
CBCC6142286	5962	3975	5988	6216	790	422	1766
CBCC6142288	6003	4002	6030	6259	788	424	1770
CBCC6142290	6044	4029	6072	6302	785	426	1774
CBCC6142292	6085	4057	6114	6345	783	428	1778
CBCC6142294	6126	4084	6155	6388	781	431	1782
CBCC6142296	6167	4111	6197	6430	778	433	1786
CBCC6142298	6208	4139	6239	6473	776	435	1790
CBCC6142300	6249	4166	6281	6516	774	437	1793
CBCC6142302	6290	4193	6322	6559	771	439	1797
CBCC6142304	6331	4221	6364	6602	769	441	1801
CBCC6142306	6372	4248	6406	6645	767	443	1805
CBCC6142308	6413	4275	6448	6687	764	445	1809
CBCC6142310	6454	4302	6489	6730	762	447	1813
CBCC6142312	6495	4330	6531	6773	760	449	1817
CBCC6142314	6536	4357	6573	6816	757	451	1821
CBCC6142316	6577	4384	6615	6859	755	453	1825
CBCC6142318	6618	4412	6656	6902	753	455	1828
CBCC6142320	6659	4439	6698	6944	750	457	1832
CBCC6142322	6700	4466	6740	6987	748	459	1836

* Please contact technical dept. at PROVIDES S.r.l. for more info

Tcond = 40°C Water IN/OUT = 30/35°C SC = 3 K F.F. = 0.016m²K/kW							
CB Model	R134a Capacity kW	R407C Capacity kW	R410A Capacity kW	R22 Capacity kW	Volume gas dm³	Volume H ₂ O dm³	Weight kg
CBCC6142324	6741	4494	6782	7030	746	461	1840
CBCC6142326	6782	4521	6823	7073	743	463	1844
CBCC6142328	6823	4548	6865	7116	741	465	1848
CBCC6142330	6863	4576	6907	7159	739	468	1852
CBCC6142332	6904	4603	6949	7202	736	470	1856
CBCC6142334	6945	4630	6990	7244	734	472	1859
CBCC6142336	6986	4658	7032	7287	732	474	1863
CBCC6142338	7027	4685	7074	7330	729	476	1867
CBCC6142340	7068	4712	7116	7373	727	478	1871
CBCC6142342	7109	4740	7157	7416	725	480	1875
CBCC6142344	7150	4767	7199	7459	722	482	1879
CBCC6142346	7191	4794	7241	7501	720	484	1883
CBCC6142348	7232	4822	7283	7544	718	486	1887
CBCC6142350	7273	4849	7324	7587	715	488	1891
CBCC6142352	7314	4876	7366	7630	713	490	1894
CBCC6142354	7355	4903	7408	7673	711	492	1898
CBCC6142356	7396	4931	7450	7716	708	494	1902
CBCC6142358	7437	4958	7491	7758	706	496	1906
CBCC6142360	7478	4985	7533	7801	704	498	1910
CBCC6142362	7519	5013	7575	7844	701	500	1914
CBCC6142364	7560	5040	7617	7887	699	502	1918
CBCC6142366	7601	5067	7658	7930	697	505	1922
CBCC6142368	7642	5095	7700	7973	694	507	1925
CBCC6142370	7683	5122	7742	8016	692	509	1929
CBCC6142372	7724	5149	7784	8058	690	511	1933
CBCC6142374	7765	5177	7825	8101	687	513	1937
CBCC6142376	7806	5204	7867	8144	685	515	1941
CBCC6142378	7847	5231	7909	8187	683	517	1945
CBCC6142380	7888	5259	7951	8230	680	519	1949
CBCC6142382	7929	5286	7992	8273	678	521	1953
CBCC6142384	7970	5313	8034	8315	676	523	1957
CBCC6142386	8011	5341	8076	8358	673	525	1960
CBCC6142388	8052	5368	8118	8401	671	527	1964
CBCC6142390	8093	5395	8159	8444	668	529	1968
CBCC6142392	8134	5422	8201	8487	666	531	1972
CBCC6142394	8175	5450	8243	8530	664	533	1976
CBCC6142396	8216	5477	8285	8572	661	535	1980
CBCC6142398	8257	5504	8326	8615	659	537	1984
CBCC6142400	8298	5532	8368	8658	657	539	1988
CBCC6142402	8339	5559	8410	8701	654	542	1991
CBCC6142404	8380	5586	8452	8744	652	544	1995
CBCC6142406	8421	5614	8493	8787	650	546	1999

* Please contact technical dept. at PROVIDES S.r.l. for more info

Tcond = 40°C Water IN/OUT = 30/35°C SC = 3 K F.F. = 0.016m²K/kW							
CB Model	R134a Capacity kW	R407C Capacity kW	R410A Capacity kW	R22 Capacity kW	Volume gas dm³	Volume H ₂ O dm³	Weight kg
CBCC6142408	8462	5641	8535	8830	647	548	2003
CBCC6142410	8502	5668	8577	8872	645	550	2007
CBCC6142412	8543	5696	8619	8915	643	552	2011
CBCC6142414	8584	5723	8660	8958	640	554	2015
CBCC6142416	8625	5750	8702	9001	638	556	2019
CBCC6142418	8666	5778	8744	9044	636	558	2022
CBCC6142420	8707	5805	8786	9087	633	560	2026
CBCC6142422	8748	5832	8827	9129	631	562	2030
CBCC6142424	8789	5860	8869	9172	629	564	2034
CBCC6142426	8830	5887	8911	9215	626	566	2038
CBCC6142428	8871	5914	8953	9258	624	568	2042
CBCC6142430	8912	5941	8994	9301	622	570	2046
CBCC6142432	8953	5969	9036	9344	619	572	2050
CBCC6142434	8994	5996	9078	9386	617	574	2054
CBCC6142436	9035	6023	9120	9429	615	576	2057
CBCC6142438	9076	6051	9161	9472	612	579	2061
CBCC6142440	9117	6078	9203	9515	610	581	2065
CBCC6142442	9158	6105	9245	9558	608	583	2069
CBCC6142444	9199	6133	9287	9601	605	585	2073
CBCC6142446	9240	6160	9328	9643	603	587	2077
CBCC6142448	9281	6187	9370	9686	601	589	2081
CBCC6142450	9322	6215	9412	9729	598	591	2085
CBCC6142452	9363	6242	9454	9772	596	593	2088
CBCC6142454	9404	6269	9495	9815	594	595	2092
CBCC6142456	9445	6297	9537	9858	591	597	2096
CBCC6142458	9486	6324	9579	9901	589	599	2100
CBCC6142460	9527	6351	9621	9943	587	601	2104
CBCC6142462	9568	6379	9662	9986	584	603	2108
CBCC6142464	9609	6406	9704	10029	582	605	2112
CBCC6142466	9650	6433	9746	10072	580	607	2116
CBCC6142468	9691	6461	9788	10115	577	609	2120
CBCC6142470	9732	6488	9829	10158	575	611	2123
CBCC6142472	9773	6515	9871	10200	573	613	2127
CBCC6142474	9814	6542	9913	10243	570	616	2131
CBCC6142476	9855	6570	9955	10286	568	618	2135
CBCC6142478	9896	6597	9996	10329	566	620	2139
CBCC6142480	9937	6624	10038	10372	563	622	2143
CBCC6142482	9978	6652	10080	10415	561	624	2147
CBCC6142484	10019	6679	10122	10457	558	626	2151
CBCC6142486	10060	6706	10163	10500	556	628	2154
CBCC6142488	10101	6734	10205	10543	554	630	2158
CBCC6142490	10141	6761	10247	10586	551	632	2162

* Please contact technical dept. at PROVIDES S.r.l. for more info

Tcond = 40°C Water IN/OUT = 30/35°C SC = 3 K F.F. = 0.016m²K/kW							
CB Model	R134a Capacity kW	R407C Capacity kW	R410A Capacity kW	R22 Capacity kW	Volume gas dm³	Volume H ₂ O dm³	Weight kg
CBCC6142492	10182	6788	10289	10629	549	634	2166
CBCC6142494	10223	6816	10330	10672	547	636	2170
CBCC6142496	10264	6843	10372	10715	544	638	2174
CBCC6142498	10305	6870	10414	10757	542	640	2178
CBCC6142500	10346	6898	10456	10800	540	642	2182
CBCC6142502	10387	6925	10497	10843	537	644	2186
CBCC6142504	10428	6952	10539	10886	535	646	2189
CBCC6142506	10469	6980	10581	10929	533	648	2193
CBCC6142508	10510	7007	10623	10972	530	650	2197
CBCC6142510	10551	7034	10664	11014	528	653	2201
CBCC6142512	10592	7061	10706	11057	526	655	2205
CBCC6142514	10633	7089	10748	11100	523	657	2209
CBCC6142516	10674	7116	10790	11143	521	659	2213
CBCC6142518	10715	7143	10831	11186	519	661	2217
CBCC6142520	10756	7171	10873	11229	516	663	2220
CBCC6142522	10797	7198	10915	11271	514	665	2224
CBCC6142524	10838	7225	10957	11314	512	667	2228
CBCC6142526	10879	7253	10998	11357	509	669	2232
CBCC6142528	10920	7280	11040	11400	507	671	2147

* Please contact technical dept. at PROVIDES S.r.l. for more info

