



Install your **future**

SYSTEM **KAN-therm**

Guidebook

DESIGNER AND CONTRACTOR





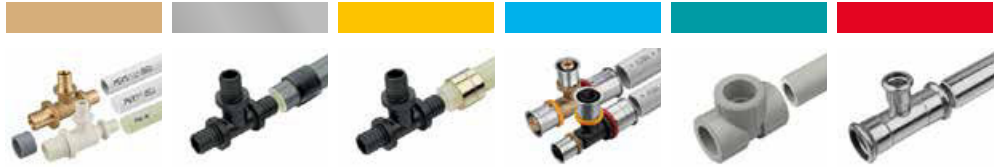
Complete multipurpose installation system consisting of state-of-the-art, mutually complementary technical solutions for pipe water distribution installations, heating installations, as well as technological and fire extinguishing installations.



Install your **future**

NEW!

COLOUR SYSTEM



SYSTEM NAME

UltraLine

Push Platinum

Push

Press

PP

Steel

DIAMETER RANGE [mm]

14-32

14-32

12-32

16-63

16-110

12-108

INSTALLATIONS TYPE



TAP WATER



HEATING



TECHNOLOGICAL HEAT



WATER STEAM



SOLAR



COOLING



COMPRESSED AIR



TECHNICAL GASES



FLAMMABLE GAS



TECHNICAL OILS



INDUSTRIAL



BALNEOLOGICAL



SPRINKLER FIRE-FIGHTING



HYDRANT FIRE-FIGHTING



UNDERFLOOR HEATING AND COOLING



WALL HEATING AND COOLING



CEILING HEATING AND COOLING











EXTERNAL SURFACES HEATING AND COOLING

In untypical cases, it is necessary to check the conditions of using KAN-therm parts with technical and information materials or opinions of the KAN Technical Department. Use the form – Inquiry about the possibility to use KAN-therm elements – to send basic parameters of an installation operation. Based on the data sent, the Technical Department will assess the fitness of the system to the particular installation. The form can be found on the website. Scan the QR code to fill in the electronic form quickly.



SYSTEM **KAN-therm**



 Inox	 Copper	 Surface heating	 Cabinets, manifolds	 Groove	 Copper Gas	 Sprinkler Steel	 Sprinkler Inox
12-168,3	12-108	12-25	-	DN25-DN300	15-54	22-108	22-108
●	●		●				○
●	●	●	●				
○			○				
○							
○							
●	●	○	○				
○	○			○	○	○	○
○	○				○	○	○
○	○				●		
○	○						
○				○			
						●	●
						●	●
		●	●				
		●	●				
		●	●				
		●	●				

● standard scope of application ○ possible use – the conditions to be confirmed with the KAN Technical Department



About KAN

Modern water and heating solutions

KAN was established in 1990 and has been implementing state of the art technologies in heating and water distribution solutions ever since.

KAN is European recognized leader and supplier of state of the art KAN-therm solutions and installations intended for indoor hot and cold tap water installations, central heating and floor heating installations, as well as fire extinguishing and technological installations. Since the beginning of its activity, KAN has been building its leading position on such values as professionalism, innovativeness, quality and development. Today, the company employs over 1000 people, a great part of which are specialist engineers responsible for ensuring continuous development of the KAN-therm system, all technological processes applied and Customer service. The qualifications and commitment of our personnel guarantees the highest quality of products manufactured in KAN factories.

Distribution of the KAN-therm system is performed through a network of commercial partners all over Germany, Poland, Russia, Ukraine, Belarus, Ireland, the Czech Republic, Slovakia, Hungary, Romania and in the Baltic States. Our expansion and dynamic development has proven so effective that KAN-therm labeled products are exported to 68 countries, and our distribution network assumes Europe, a great part of Asia, and a part of Africa.

The KAN-therm system is an optimal, complete multipurpose installation system consisting of state of the art, mutually complementary technical solutions for pipe water distribution installations, heating installations, as well as technological and fire extinguishing installations. It is the materialization of a vision of a universal system, the fruit of extensive experience, the passion of KAN's constructors, as well as strict quality control of our materials and final products.

INTRODUCTION

KAN-therm is a complete installation system for constructing internal water supply, heating distribution and technological networks. The system comprises state of the art, mutually complementary solutions for installation materials and connection technologies.

The “KAN-therm System Guidebook for Designers and Contractors” is dedicated to all participants of the construction processes involving state-of-the-art installations – designers, installers and construction site inspectors.

Our Guide presents a wide range of solutions and installation techniques, as well as a comprehensive presentation of the most modern and popular installation systems collectively forming the KAN-therm multisystem. Such a presentation gives the user an opportunity to learn and compare available systems and, finally, to select the most suitable installation solution, in terms of technology, economics and usability.

This guide has been written in compliance with all basic, European standards and guidelines regarding sanitary and heating distribution systems in the construction industry.

The guide has been divided into three basic parts:

- part I, presenting the characteristics of eight KAN-therm piping installation systems,
- part II, presenting common guidelines for designing and assembling these systems,
- part III, discussing the basic principles of dimensioning KAN-therm installations.

The “product” part consists of chapters discussing particular installation systems:

- **System KAN-therm UltraLine** based over three variants of pipes (PE-X, PERT² and PERTAL²), two material variants of fittings (brass and PPSU) connected together by a sliding PVDF sleeve,
- **System KAN-therm Push** (based over PE-RT and PE-Xc pipes) and **Push Platinum** (based over multilayer PE-Xc/Al/PE-HD pipes), two material variants of connectors (brass and PPSU) connected by a slide-on clamping ring,
- **System KAN-therm Press** with PE-RT/Al/PE-RT multilayer pipes, two material variants of fittings (PPSU and brass) joined by radial pressing technique,
- **System KAN-therm PP** consisting of PP-R polypropylene pipes and fittings as well as polypropylene compound pipes (PP Stabi Al and PP Glass),
- **System KAN-therm Steel** and **KAN-therm Inox** consisting of carbon steel and stainless steel pipes and fittings joined in radial press technique.
- **System KAN-therm Copper** based over radially pressed fittings made of copper and bronze for connecting standard copper pipes.

Apart from a description of pipes and fittings, dimension data and scope of use, each of the above mentioned chapters contains guidelines for executing joints, which are characteristic for each installation system.

Information material consisting **other products, such as System KAN-therm Sprinkler, System KAN-therm Groove, System KAN-therm Copper Gas** and the KAN-therm surface heating system have been included in separate guides due to their different application specifications.

For designers using traditional methods of installation dimensioning, we provide an appendix containing a separate set of tables presenting the hydraulic properties of pipes and fittings described in the System guide, taking into account the typical operating parameters of water supply and heating installations. Apart from the Guide, we offer all designers a free suite containing professional design programs: **KAN SET**, **KAN OZC**, **KAN C.O. Graf** and **KAN H2O**.

All elements with a KAN-therm mark are subject to a very strict quality control system, e.g. in our state of the art research and development laboratory.

The KAN Laboratory, thanks to the use of the latest technological achievements in the field of installation systems testing, has been accredited by Western certification bodies and its results are recognized by the largest of them.

Our production process, as well as our entire activity, is supervised by the ISO 9001 quality control system, a certified by a reputable institution Lloyd's Register Quality Assurance Limited.

Table of contents

1	System KAN-therm UltraLine	
1.1	The idea behind the system	17
1.2	Advantages of System KAN-therm UltraLine	18
1.3	Pipes in the System KAN-therm UltraLine	18
	Assortment of pipes in System KAN-therm UltraLine	18
	Configuration of the System KAN-therm UltraLine AL pipes	19
	Configuration of System KAN-therm UltraLine PE pipes	19
	Construction and properties of System KAN-therm UltraLine pipes	20
	Operational parameters of System KAN-therm UltraLine pipes	25
1.4	Fittings and sliding sleeves in System KAN-therm UltraLine	26
	Fittings in the System KAN-therm UltraLine	26
	Sliding sleeves in the System KAN-therm UltraLine	27
	Advantages of fittings and sliding sleeves design	28
1.5	Connections in the System KAN-therm UltraLine	28
	Connections with a sliding sleeve	28
	Threaded connections in System KAN-therm UltraLine	30
	Threaded connections using fittings with nickel-plated pipes of the System KAN-therm UltraLine	31
1.6	Contact with substances containing solvents, sealing the threads	31
1.7	Tools for installation of System KAN-therm UltraLine	32
	Configuration of tools for installation of System KAN-therm UltraLine	32
	Completing System KAN-therm UltraLine tools	37
	Advantages of System KAN-therm UltraLine tools	37
	Safety when using tools	37
1.8	Assembly of System KAN-therm UltraLine connections	38
	Assembly of connections with a sliding sleeve	38
	Installation of universal threaded couplings and threaded connectors	40
	Installation of universal pipe unions	41
	Assembly of unions to metal pipes	41
	Transport and storage	42

Table of contents

2 System **KAN-therm** Push / Push Platinum

2.1	General information	45
2.2	Pipes in the KAN-therm Push / Push Platinum	47
	Pipe structure and material – physical properties	47
	PE-RT pipes	50
	PE-X pipes	51
	PE-Xc/Al/PE-HD Platinum Pipes	52
2.3	Scope of use	52
2.4	PE-X, PE-RT and PE-Xc/Al/PE-HD Platinum installation joints	54
	Push joints with sliding sleeves	54
	Components of Push/Push Platinum joints	55
	Push fittings	55
	PPSU – Perfect installation material	57
	Contact with substances containing solvents, thread sealants	57
	Execution of Push joints with sliding sleeves	58
2.5	Transport and storage	71

Table of contents

3 KAN-therm Press

3.1	General information	75
3.2	Pipes in the KAN-therm Press	76
	Multilayer pipes	76
	PE-Xc and PE-RT pipes with anti-diffusion coating	79
	Scope of use	81
3.3	Joints in multilayer KAN-therm pipe installations	82
	Press joints	82
	Structure and features of KAN-therm Press LBP fittings	83
	Identification of KAN-therm Press LBP fittings	84
	Features of KAN-therm Press joints	84
	KAN-therm pressed fittings – assortment	85
	Contact with chemicals, adhesives and sealants	87
	Execution of Press joints with pressed sleeves	88
	Assembly of KAN-therm Press LBP fittings with diameters: 16, 20, 25, 26, 32 and 40 mm	91
	Assembly of KAN-therm Press fittings with diameters 50 and 63 mm	92
	Minimum assembly distances	93
	Threaded joints for multilayer pipes	93
3.4	Transport and storage	96

Table of contents

4 KAN-therm PP

4.1	General information	99
4.2	KAN-therm PP pipes	99
	Physical properties of KAN-therm PP pipe material	101
	Pipe marking, color	101
	Dimension parameters of KAN-therm PP pipes	102
4.3	Fittings and other elements of the system	104
4.4	Scope of use	104
4.5	Technique of connecting KAN-therm PP installations – welded joints	107
	Tools – preparation of the welder	108
	Preparation of elements for welding	109
	Welding technique	110
	Fittings with metal threads and collars	111
4.6	Transport and storage	113

Table of contents

5 System **KAN-therm Steel** / **KAN-therm Inox**

5.1	General information	117
5.2	KAN-therm Steel	118
	Pipes and fittings – characteristics	118
	Pipe diameters, lengths, weight and capacity	118
	Scope of use	119
5.3	KAN-therm Inox	120
	Pipes and fittings – characteristics	120
	Pipe diameters, lengths, weight and capacity	120
	Scope of use	121
5.4	Sealants – O-Rings	122
5.5	Durability, resistance to corrosion	123
	Internal corrosion	124
	External corrosion	126
5.6	Technique of Press joints	127
	Tools	127
	Preparation of pipes for pressing	133
	Pipe bending	140
	Threaded fittings, connecting with other Systems KAN-therm	140
5.7	Flange connections	141
5.8	Ball valves of System KAN-therm Steel and KAN-therm Inox	142
5.9	Operating remarks	143
	Equipotential bonding	143
5.10	Transport and storage	143

Table of contents

6 System **KAN-therm** Copper

6.1	Modern connection technology	147
6.2	Durable connection technology	148
6.3	Applicability	148
6.4	Advantages	148
6.5	Assembly of connections	149
6.6	Tools	154
6.7	Tools – Safety	156
6.8	LBP function	156
6.9	Detailed information	157
6.10	Data on elongation and thermal conductivity	158
6.11	Recommendations for use	158
6.12	Threaded connections, connection to other KAN-therm systems	159
6.13	Flange connections	160
6.14	Transport and storage	160

Table of contents

7	Manifolds and cabinets for radiator heating and potable water systems	
7.1	KAN-therm InoxFlow manifolds	163
7.2	Installation cabinets	164
8	Guidelines for installation design and assembly	
8.1	Assembly of KAN-therm System at temperatures below 0 °C	169
8.2	Mounting KAN-therm System pipelines	171
	Clamps and hangers	171
	PP shifting points	172
	PS fixed points	172
	Passages through structural partitions	174
	Support spans	175
8.3	Compensation of thermal elongation of pipelines	177
	Linear thermal elongation	177
	Compensation of elongations	181
	Compensators in KAN-therm System installations	185
8.4	Principles of laying KAN-therm installations	192
	On-plaster installations – risers and horizontal pipelines	192
	Conducting KAN-therm installations in structural partitions	193
	Layout of KAN-therm installation	195
8.5	Connecting installation made of plastic pipes to the heat sources	198
	Radiator connections	198
	Union connectors for metal pipes	199
	Water supply device connections	200
	Radiator connections	201
	Tap connections	206
8.6	Compressed air installations in System KAN-therm	209
8.7	Rinsing, tightness tests and disinfection of KAN-therm installations	210
8.8	System KAN-therm installation disinfection	212

Table of contents

9 Designing an installation

9.1 KAN-therm software supporting the design process	215
9.2 Hydraulic dimensioning of KAN-therm installations	216
Dimensioning water supply installations	216
Dimensioning central heating installations	218
9.3 Thermal insulation of KAN-therm installations	219

10 Information and safety tips

Intended use	221
Qualifications of participants in the construction process	222
General precautions	222



Install your **future**



SYSTEM **KAN-therm**

UltraLine

Many possibilities,
one choice

Ø 14-32 mm

Table of contents

1	System KAN-therm UltraLine	
1.1	The idea behind the system	17
1.2	Advantages of System KAN-therm UltraLine	18
1.3	Pipes in the System KAN-therm UltraLine	18
1.4	Fittings and sliding sleeves in System KAN-therm UltraLine	26
1.5	Connections in the System KAN-therm UltraLine	28
1.6	Contact with substances containing solvents, sealing the threads	31
1.7	Tools for installation of System KAN-therm UltraLine	32
1.8	Assembly of System KAN-therm UltraLine connections	38



1 System **KAN-therm UltraLine**

1.1 The idea behind the system

System KAN-therm UltraLine is an innovative and the only technical solution on the installation market, designed to perform both standard internal heating and drinking water systems, as well as specialized piping installations such as compressed air.

Its unique design and the ability of flexible configuration of a complete end solution give great convenience for the installers and designers.

Flexibility of System KAN-therm UltraLine configuration consists of the possibility of using various types of pipes with the same design of fittings:

- **The group of KAN-therm UltraLine AL pipes** – in the whole diameter range of 14–32 mm, it includes multilayer PERTAL² pipes, brass or plastic UltraLine fittings (PPSU) and plastic sleeves (PVDF) in the entire diameter range,
- **The group of KAN-therm UltraLine PE pipes** – it includes polyethylene PE-X and PERT² pipes in the diameters of 14–20 mm, UltraLine fittings made of brass or plastic (PPSU) and plastic sleeves (PVDF).

The O-Ringless construction of the fittings and the sliding sleeve technique guarantee high resistance of the system to assembly errors and ageing of materials during the system operation. Owing to this, the system is characterized by high safety of assembly and operation as well as high durability of the performed system.

1.2 Advantages of System KAN-therm UltraLine

Innovative design of System KAN-therm UltraLine fittings and the sliding sleeve technique mean:

- Possibility of any configuration of the system according to your preferences: you can use uniform PE-X and PERT² pipes as well as multilayer PERTAL² pipes with the same connectors and fittings,
- Universal application of the system,
- Quick, simple and convenient installation, even in hard to access places,
- Possibility of using dedicated tools and press drives widely available on the market for „Press“ systems*,
(* when using special adapter)
- Permanent and secure connection without additional seals – O-Ringless construction of the fittings,
- Recess mounting possible in the construction of building partitions,
- Significant reduction of the diameter narrowing due to pipe expanding process,
- High resistance to corrosion,
- Up to 25% increased system hydraulics compared to the competitors**,
(**applies to diameters 25 and 32 mm assembled in the sliding sleeve technique)
- Significantly increased comfort of installation of large diameters and no need for dense fastening of the pipeline due to the multilayer structure of the pipes,
- The most flexible pipe on the installation market among the O-Ringless systems,
- Technical solution based on many years of experience in the field of systems for the construction of heating and drinking water systems.

1.3 Pipes in the System KAN-therm UltraLine

System KAN-therm UltraLine offers the possibility of flexible configuration of the final technical solution by the system designer, contractor or investor, which is rare on the market. The selection of appropriate system may be dictated not only by the preferences of people participating in the investment process, but also by the specifics of the investment, e.g. the need for surface mounting in religious or historic buildings, where pipes with multilayer design will have much better performance properties.

Assortment of pipes in System KAN-therm UltraLine

Types and diameters of pipes

KAN-therm UltraLine PE		KAN-therm UltraLine AL
PE-X 14 × 2	PERT ² 14 × 2	PERTAL ² 14 × 2
PE-X 16 × 2,2	PERT ² 16 × 2,2	PERTAL ² 16 × 2,2
PE-X 20 × 2,8	PERT ² 20 × 2,8	PERTAL ² 20 × 2,8
		PERTAL ² 25 × 2,5
		PERTAL ² 32 × 3

In the diameter range of 14–20 mm, System KAN-therm UltraLine uses different pipe designs, uniform and multilayer. Pipes in the diameters of 25–32 mm are available only in the multilayer construction and supplement the UltraLine offer in the bigger diameters.

Configuration of the System KAN-therm UltraLine AL pipes

KAN-therm UltraLine AL pipes include:

- multilayer pipe PERTAL² – 14 × 2,
- multilayer pipe PERTAL² – 16 × 2,2,
- multilayer pipe PERTAL² – 20 × 2,8,
- multilayer pipe PERTAL² – 25 × 2,5,
- multilayer pipe PERTAL² – 32 × 3.

The group of KAN-therm UltraLine AL, in the entire diameter range of 14-32 mm, consists only of multilayer pipes with butt-welded aluminium insert. Pipes cooperate with the System KAN-therm UltraLine fittings made of PPSU plastic or brass and plastic sleeves. Due to the limited thermal elongation of multilayer pipes, PERTAL² pipes are perfect for surface installations.

Configuration of System KAN-therm UltraLine PE pipes

KAN-therm UltraLine PE pipes include:

- uniform pipe PERT² or PE-X – 14 × 2,
- uniform pipe PERT² or PE-X – 16 × 2,2,
- uniform pipe PERT² or PE-X – 20 × 2,8.

KAN-therm UltraLine PE are uniform PE-X and PERT² pipes available in three smallest diameters of 14–20 mm.

Uniform pipes used mainly for housing distribution in recess-mounted installations (distribution in floor screed or covered wall furrows) perfectly use the phenomenon of shape memory. This feature ensures a very good protection of system against accidental crushing of the pipe under the impact of high local mechanical load and thus, the creation of narrowing or its complete closing. This is a very practical feature for large investments, where many assembly brigades work simultaneously.

Multilayer pipes included in the system in the diameter range of 25–32 mm use their plastic properties exquisitely. Pipes with such diameters are mainly used for the installation of main supply pipelines and possible risers. Lack of memory of the multilayer pipes shape and thus, no phenomenon of the so-called pipe tensioning gives great freedom and comfort in installing large diameter pipelines. The consequence of using this type of pipes may be a reduction in the number of additional profiling and anchoring elements for the pipeline.

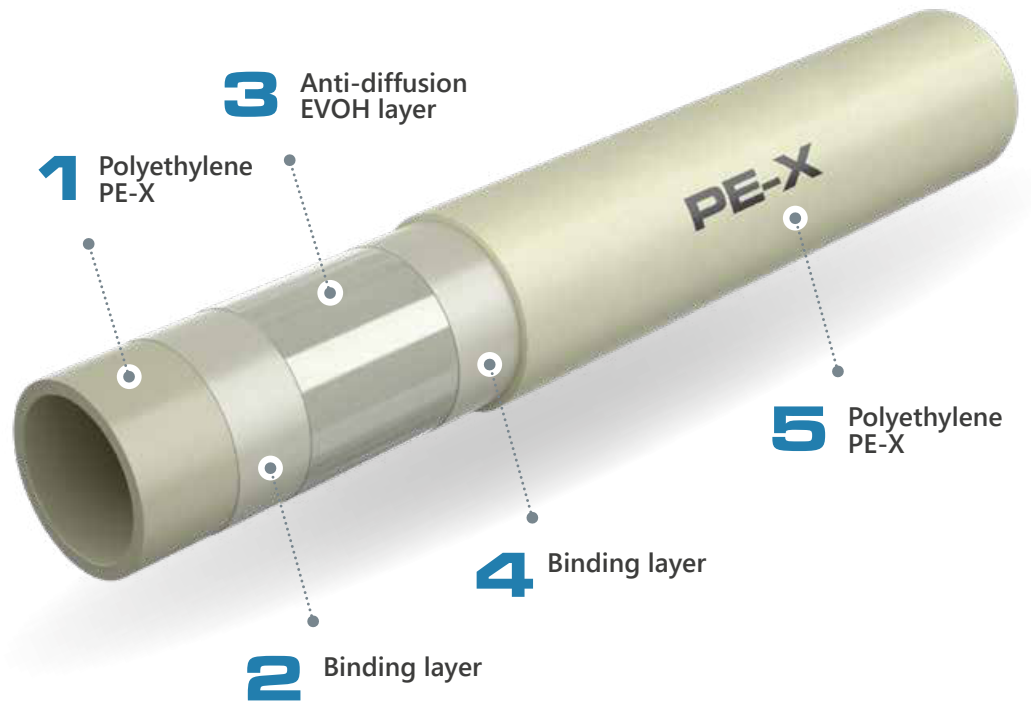
Both PE-X or PERT² uniform pipes and PERTAL² multilayer pipes are applicable with the System KAN-therm UltraLine fittings made of PPSU plastic or brass and plastic sleeves.

Construction and properties of System KAN-therm UltraLine pipes

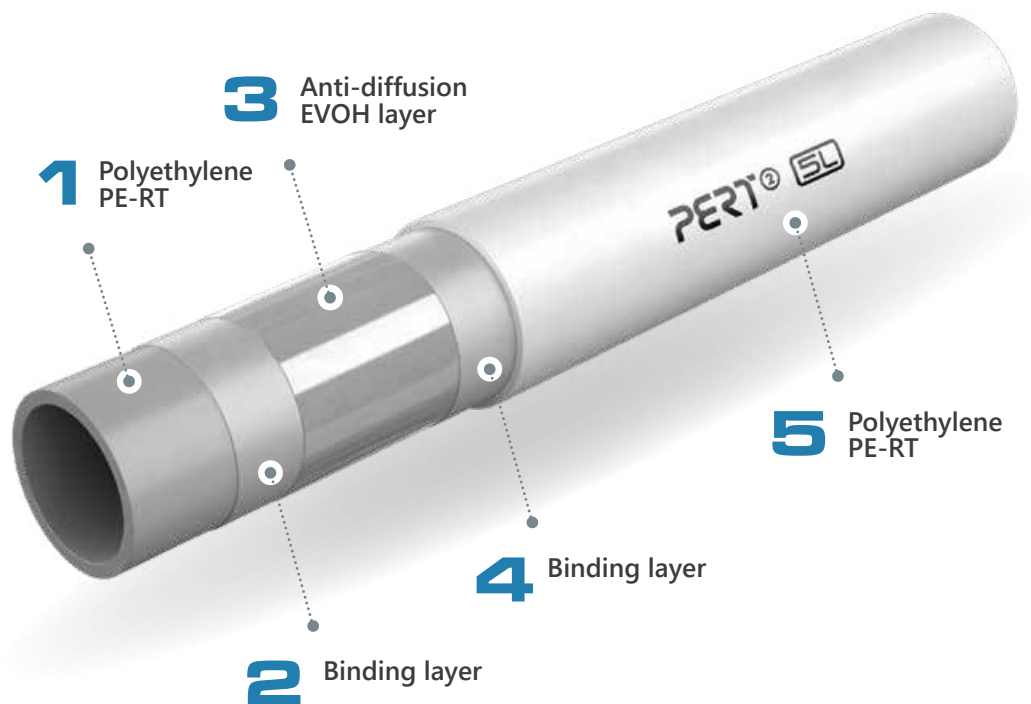
Construction and properties of PE-X and PERT² pipes.

All PE-X and PERT² pipes in KAN-therm UltraLine PE group (diameters 14–20 mm) are made as a five-layer structure. Both types of pipes have a barrier (EVOH layer) that prevents penetration (diffusion) of oxygen through the walls of pipes from the environment to the interior of the system. This location of the EVOH anti-diffusion layer protects it against possible damage during the assembly.

Cross-section of PE-X pipe with anti-diffusion coating



Cross-section of PERT² pipe with anti-diffusion coating



The EVOH anti-diffusion layer (ethyl vinyl alcohol) meets the requirements of DIN 4726.

PE-X pipes

PE-X pipes are produced of a high-density polyethylene and are subjected to cross-linking with an electron beam („c” method – a physical method, without using chemical agents). Therefore, in the product range of the catalogue they will be described as PE-Xc pipes.

PE-X pipes are equipped with an EVOH anti-diffusion layer, therefore they can be used in both heating and drinking water systems.

Pipes in the entire diameter range, i.e. $\text{Ø}14 \times 2$, $\text{Ø}16 \times 2,2$, $\text{Ø}20 \times 2,8$, are available in two variants:

- without thermal insulation,
- with 6 mm thick thermal insulation.



Pipe color: ivory. The surface of the pipes is shiny. Depending on the diameter, the pipes are delivered in 50, 100, 200-m coils in cardboard packaging and on pallets by 700, 900, 1500 and 3000 m.

Dimensional specification of PE-X pipes

DN	De × t	t	Di	Size S series	Unit weight	Capacity	Packing
	[mm × mm]	[mm]	[mm]		[kg/m]	[dm ³ /m]	[m]
14	14 × 2,0	2,0	10,0	3,0	0,085	0,079	200
16	16 × 2,2	2,2	11,6	3,0	0,102	0,106	200
20	20 × 2,8	2,8	14,4	3,0	0,157	0,163	100

PERT² pipes

PERT² pipes are made of a high thermal resistance polyethylene PE-RT type II.

PERT² pipes are equipped with an EVOH anti-diffusion layer, therefore they can be used in both heating and drinking water systems.

Pipes in the entire series of diameter types, i.e. Ø14 × 2, Ø16 × 2,2, Ø20 × 2,8, are available in two variants:

- without thermal insulation,
- with 6 mm thick thermal insulation.



Pipe color: neutral. The surface of the pipes is shiny. Depending on the diameter, the pipes are delivered in 50, 100, 200-m coils in cardboard packaging and on pallets by 700, 900, 1500 and 3000 m.

Dimensional specification of PERT² pipes

DN	De × t	t	Di	Size S series	Unit weight	Capacity	Packing
	[mm × mm]	[mm]	[mm]		[kg/m]	[dm ³ /m]	[m]
14	14 × 2,0	2,0	10,0	3,0	0,083	0,079	200
16	16 × 2,2	2,2	11,6	3,0	0,100	0,106	200
20	20 × 2,8	2,8	14,4	3,0	0,155	0,163	100

Physical properties of PE-X and PERT² pipes

Property	Symbol	Unit	PE-X	PERT ²
Thermal expansion coefficient	α	mm/m × K	0,178	0,18
Heat conductivity	λ	W/m × K	0,35	0,41
Minimal bend radius	R _{min}	mm	5 × De	5 × De
Internal wall roughness	k	mm	0,007	0,007

Pipe marking - based on PERT² pipes

All pipes are marked with permanent description placed continuously every 1 m i. a. the following markings:

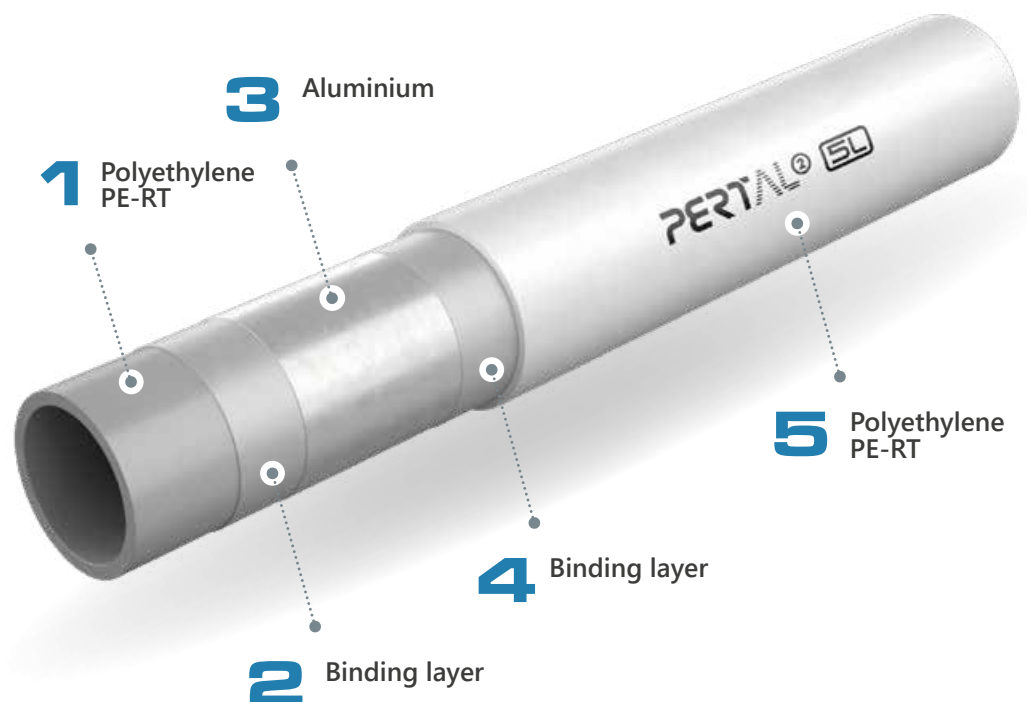
Marking type	Example of marking
Manufacturer's name and/or trademark	KAN-therm UltraLine PERT ²
Nominal outer diameter x wall thickness	20 x 2,8
Pipe structure (material)	PE-RT
Product code	2529198002
Number of standard or Technical Certificate	DIN 16833
Application class/-es with design pressure	Class 2/10 bar, Class 5/10 bar
Anti-difussion marking	Sauerstoffdicht nach DIN 4726
Date of production	18.08.19
Other manufacturer's markings, e.g. running metre, batch number	045 m

! Note – other, additional markings, e.g. numbers of certificates (e.g. DVGW), may also be inscribed on the pipe.

Construction and properties of PERTAL² pipes

PERTAL² multilayer pipes (diameters 14–32 mm) comprise of the following layers: an inner layer (core pipe) of PE-RT polyethylene with improved thermal resistance, a middle layer of an aluminium strip, ultrasonically butt-welded as well as an outer layer of PE-RT polyethylene. An adhesive binding layer is applied between the aluminium and plastic layers.

PERTAL²
pipe cross-section



The aluminium layer serves as a anti-diffusion barrier and lowers the thermal pipe elongation index 8 times, as compared to homogenous polyethylene pipes. Owing to the butt welding of the Al strip, the thickness of individual layers of the pipe wall is constant around the entire circumference.

Pipes in the entire series of diameter types, i.e. $\text{Ø}14 \times 2$, $\text{Ø}16 \times 2,2$, $\text{Ø}20 \times 2,8$, $25 \times 2,5$, 32×3 , are available in two variants:

- without thermal insulation,
- with 6 mm thick thermal insulation.



Pipe color: white. The surface of the pipes is shiny.

Depending on pipe diameter, pipes are supplied in 50, 100, 200-m coils (scope 14-32 mm) in cardboard boxes. Pipes are also available in 5 m straight segments.

Dimensional specification of PERTAL² pipes

DN	De × t	t	Di	Size S series	Unit weight	Capacity	Packing
	[mm × mm]	[mm]	[mm]		[kg/m]	[dm ³ /m]	[m]
14	14 × 2,0	2,0	10,0	3,0	0,097	0,079	200
16	16 × 2,2	2,2	11,6	3,0	0,114	0,106	200
20	20 × 2,8	2,8	14,4	3,0	0,180	0,163	100
25	25 × 2,5	2,5	20,0	4,5	0,239	0,314	50
32	32 × 3,0	3,0	26,0	4,8	0,365	0,531	50

Physical properties of PERTAL² pipes

Property	Symbol	Unit	Value
Thermal expansion coefficient	α	mm/m × K	0,025
Heat conductivity	λ	W/m × K	0,43
Minimal bend radius	R_{\min}	mm	3,5 × De
Internal wall roughness	k	mm	0,007

Pipe marking - based on PERTAL² pipes

All pipes are marked with permanent descriptions placed continuously every 1 m, containing i. a. the following markings:

Marking description	Example of marking
Manufacturer's name and/or trademark	KAN-therm UltraLine PERTAL ²
Nominal outer diameter x wall thickness	16 x 2,2
Pipe structure (material)	PE-RT/AI/PE-RT
Product code	2529334003
Number of standard or Technical Certificate	KIWA KOMO, DVGW
Application class/-es with design pressure	Class 2/10 bar, Class 5/10 bar
Date of production	18.08.19
Other manufacturer's markings, e.g. running metre, batch number	045 m



Note – other, additional markings, e.g. numbers of certificates, may also be inscribed on the pipe.

Operational parameters of System KAN-therm UltraLine pipes

PERT² and PERTAL² pipes in accordance with PN-EN ISO 21003–2 standard, PE-X pipes in accordance with PN-EN ISO 15875-2 standard may operate at below mentioned parameters:

Operating parameters and scope of use for PE-X, PERT² and PERTAL² pipes

Type of installation and application class (acc. ISO 10508)	T_{op}/T_{max} [°C]	Operating pressure P_{op} [bar]				Connection type	
		DN	PE-X	PERT ²	PERTAL ²	sliding sleeve	threaded
Cold tap water	20	14	10	10	10	+	+
		16	10	10	10	+	+
		20	10	10	10	+	+
		25			10	+	-
		32			10	+	-
Hot tap water [class 1]	60/80	14	10	10	10	+	+
		16	10	10	10	+	+
		20	10	10	10	+	+
		25			10	+	-
		32			10	+	-
Hot tap water [class 2]	70/80	14	10	10	10	+	+
		16	10	10	10	+	+
		20	10	10	10	+	+
		25			10	+	-
		32			10	+	-
Low-temperature heating and radiant heating [class 4]	60/70	14	10	10	10	+	+
		16	10	10	10	+	+
		20	10	10	10	+	+
		25			10	+	-
		32			10	+	-
Radiator heating [class 5]	80/90	14	10	10	10	+	+
		16	10	10	10	+	+
		20	10	10	10	+	+
		25			10	+	-
		32			10	+	-

Operating temperature T_{op} in individual classes should be treated as the design temperature, maximum temperature T_{max} as the temperature before exceeding, in which the systems should be secured.

1.4 Fittings and sliding sleeves in System KAN-therm UltraLine

Apart from the offer of various types of pipes, the complete System KAN-therm UltraLine also includes fittings and sliding sleeves.

Fittings are available in plastic PPSU and brass. Sliding sleeves are produced and offered only in the plastic PVDF version.



Fittings in the System KAN-therm UltraLine

System KAN-therm UltraLine fittings can be connected with the pipes of UltraLine PE (PE-X and PERT²) and UltraLine AL (PERTAL²).

In both cases, the fittings use an O-Ringless design, thus ensuring easy and safe assembly and long-term, trouble-free operation of the installation.

1. System KAN-therm UltraLine fitting.
2. Plastic (PVDF) sliding sleeve of the System KAN-therm UltraLine.
3. System KAN-therm UltraLine PE or System KAN-therm UltraLine AL pipe group variants.



System KAN-therm UltraLine offer provides a whole range of fittings necessary to perform even the most complex piping installations:

- Couplings and reducers made of plastic PPSU and brass,
- Steel / UltraLine transition connectors made of brass,
- PPSU plastic and brass elbows,
- Equal and reduction tees made of plastic PPSU and brass,
- UltraLine brass plugs,
- Brass fittings with threads,
- Brass elbows and tees with threads,
- Tap connectors with various lengths in brass design,
- Brass elbows and tees with nickel-plated pipes.

Sliding sleeves in the System KAN-therm UltraLine

Sliding sleeves of System KAN-therm UltraLine are one of the most important elements responsible for connecting and sealing the pipe with the fitting. The sleeves are produced only of high quality PVDF.



As in the case of the fittings, depending on the selected pipe configuration, the sliding sleeves can be used with UltraLine PE and UltraLine AL pipes.

For proper tight and mechanically strong connections only System KAN-therm UltraLine sleeves must be used. It is forbidden to use sleeves other than the recommended ones or products of foreign origin.

Each original sliding sleeve of the System KAN-therm UltraLine has the KAN marking embossed and the diameter on the outer surface for which it is intended.

Advantages of fittings and sliding sleeves design

Fittings and sliding sleeves in the System KAN-therm UltraLine bring:

- wide range of fittings and threaded connections,
- versatility of use, allowing the use of brass and plastic elements for virtually every type of installation,
- wide range of plastic components (PPSU), guaranteeing the possibility of price optimization of the complete investment and securing the system against negative effects of water with an unfavourable chemical composition,
- universal design of threaded couplings ensuring safe and tight connection with various types of pipes – UltraLine PE and UltraLine AL group pipes,
- design of elements in diameters 25 and 32 mm with increased internal cross-section, thanks to which the hydraulics is significantly increased and the so-called hydraulic optimization of the designed systems is enabled,
- elements of acoustic protection of the system available in the standard offer,
- aesthetic look of the fittings and bright color of PPSU plastic design that significantly increases the visibility of the element in dark rooms,
- symmetrical design of the sliding sleeves that minimizes the risk of mistakes and significantly increases convenience during assembly.

1.5 Connections in the System KAN-therm UltraLine

Connections with a sliding sleeve



System KAN-therm UltraLine fittings are universal and can be used with uniform PE-X, PERT² (System KAN-therm UltraLine PE) pipes and PERTAL² multilayer pipes (System KAN-therm UltraLine AL).

Fittings have specially shaped connector stubs (without additional seals), which are inserted into the previously expanded end of the pipe and then a plastic sleeve is slid onto the connection.

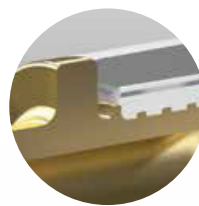
The pipe is crimped circumferentially on the coupling stub in the entire contact plane. Such connection allows conducting the installation in structural partitions (in flooring screeds coats and under layers of plaster) without any limitations.

Special features of the connection with a sliding sleeve in System KAN-therm UltraLine

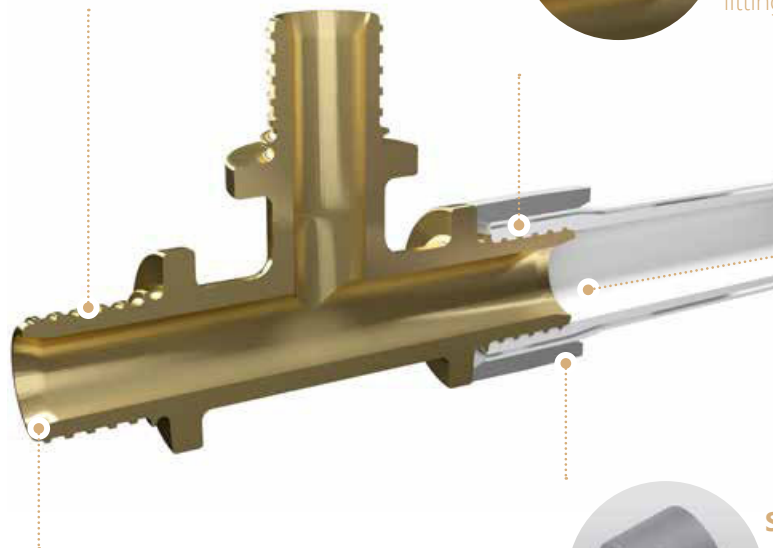
Profiling - no additional sealing, profiling of the fitting stub guarantees tightness and mechanical strength of the connection



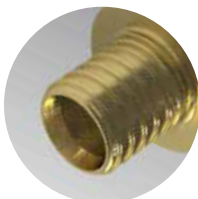
Stopper limiting contact of the Al layer with the brass body of the fitting



Increased hydraulics - minimization of diameter narrowing



The chamfer at the inlet of the fitting body reduces local pressure losses and prevents turbulence



Symmetric sliding sleeve - sleeve mounting possible on both sides



Threaded connections in System KAN-therm UltraLine

To connect System KAN-therm UltraLine pipes, in addition to connections with a sliding sleeve, standard threaded connections with a flat wrench can be used.

Two main types of connectors are available for these couplings:

Universal threaded couplings with male and female threads or so-called couplings, available in diameters 14–20 mm. Threaded fittings at the pipe connection side do not require the use of additional seals – tightness is guaranteed by the appropriate construction of the coupling stub on which the pipe is mounted. From the thread side (internal or external) an additional sealing in the form of tow should be used. Threaded connectors, due to the specificity of the fitting and its design, do not require additional sealing. These fittings should be located in easily available places.



- Universal pipe unions available in the diameter range of 14–20 mm. Real advantage of those couplings is their automatic sealing after fitting. Connections of this kind are self-sealing and need no additional seal, such as Teflon tape or tow. These elements should be located in easily available places.



As the name suggests both universal threaded couplings and universal pipe unions have structure which allows the simultaneous installation of uniform PE-X and PERT² (System KAN-therm UltraLine PE) pipes and multilayer PERTAL² pipes (System KAN-therm UltraLine AL).

Thanks to the universal structure of couplings and pipe unions, duplicating the fitting offer is avoided, which translates into more flexible and convenient assembly, as well as saving space for storing elements.

- ! **Note! System KAN-therm UltraLine AL pipe group require calibration and chamfering for threaded connectors and pipe unions!**

Threaded connections using fittings with nickel-plated pipes of the System KAN-therm UltraLine

Combined fittings with nickel-plated copper pipes also provide a complete system solution. The elements are very often used for aesthetic connection of radiators or other wall mounted equipment. Depending on the needs, the system offer provides the possibility of using fittings such as single elbows, double elbows as well as equal and reduction tees.



The elements can also be distinguished depending on the length of the nickel-plated copper pipe. 300 mm or 750 mm lengths are available.

Elbows and tees with a nickel-plated pipe should be connected with radiator valves and directly with the VK-type radiators by means of fittings for connecting nickel-plated Ø15 mm pipes.

All joints of this kind are self-sealing and no additional sealing is needed.

1.6 Contact with substances containing solvents, sealing the threads

Secure the plastic (PPSU) elements of System KAN-therm against contact with: solvents or solvent-containing materials, such as paints, aerosols, fitting foams, adhesives, etc. Under unfavourable circumstances, these substances may damage plastic parts.

- Make sure that the connection sealants, cleaners or insulation of System KAN-therm components, do not contain compounds that cause stress cracks: ammonia, ammonia retaining compounds, solvents, aromatic or chlorinated hydrocarbons (e.g., ketones and ethers). Do not use fitting foams based on methacrylate, isocyanate and acrylate when in contact with plastic (PPSU) elements of System KAN-therm.

Secure pipes and plastic (PPSU) fittings against direct contact with: adhesive tapes and insulation adhesives. Adhesive tapes should only be used on the outer surface of thermal insulation.

- It is advised to seal threaded connections with such an amount of hemp, that leaves the thread tops not covered. Using too much hemp may lead to thread damage. By winding hemp just after the first thread ridge you can avoid skew screwing and damaging the thread.



NOTE!!!

Do not use chemical sealants or adhesives.

1.7 Tools for installation of System KAN-therm UltraLine

All elements of System KAN-therm UltraLine must be combined using specially designated tools. These tools are included in the system offer.

Configuration of tools for installation of System KAN-therm UltraLine



Battery crimping tools set

The photo above shows an example set based on a battery crimping tool and an battery expander. These are the latest generation tools, which greatly accelerate the assembly process. These tools are dedicated to System KAN-therm UltraLine and specially developed for the needs of optimal and safe assembly of connections. The light weight and compact design as well as the built-in flashlight significantly increase the comfort and safety of working at the construction site. The battery indicator allows constant monitoring and prior preparation of tools, so that users can properly organize and save their work time.

LED Identification is a function of electronic diagnostics of tools condition and the assembly process itself, through a special LED, device informs the user about the possible need of tool service. Modern 10,8 V technology significantly accelerates battery charging time.

For customers basing on classic tool solutions, we have also prepared improved versions of hand operated tools that allow the correct assembly of the system.

The hand operated crimping tool and expander are a simple and reliable constructions, made of the highest quality materials, guaranteeing their long lifespan.



Hand tools set

Very small dimensions of the hand operated crimping tool allow performing easy connection of the UltraLine elements even in the most difficult to reach places. No need to charge the battery is a big plus in case of the absence of access to the electrical grid. Hand operated and electric tools use the same complementary accessories, i.e. crimping forks and expanding heads.

Shears

For pipes cutting, use dedicated, good-quality shears, guaranteeing correct cutting. Make sure that the cutting blade is sharp and free from damages which can deteriorate the quality of the cut and at the same time affect the quality of the connection made (especially important when assembling connections at temperatures below 0 °C).



Expanders

Expanders are used to perform the process of expanding the pipe end (flaring of the pipe end diameter). This process is possible thanks to special expanding heads working with the flaring tool.



The expanding heads have a different design, depending on the type of pipe used. Make sure that the appropriate expanding head is used in the process of flaring the pipe end.



NOTE!

The selection of a proper expanding head for a given type of pipe is very important for the correctness of tight and durable connection of System KAN-therm UltraLine.

System KAN-therm UltraLine PE			System KAN-therm UltraLine AL		
Pipe type	Diameter	Expanding head	Pipe type	Diameter	Expanding head
PE-X, PERT ²	14 × 2	UltraLine PE 14	PERTAL ²	14 × 2	UltraLine AL 14
	16 × 2,2	UltraLine PE 16		16 × 2,2	UltraLine AL 16
	20 × 2,8	UltraLine PE 20		20 × 2,8	UltraLine AL 20
		25 × 2,5		UltraLine AL 25	
				32 × 3	UltraLine AL 32

Crimping tools

Crimping tools cooperate with sets of crimping forks. Two crimping forks are available for each diameter, i.e. from 14 × 2 to 32 × 3. To make a connection on a given diameter, equip the crimping tool with a suitable set of forks.



An additional feature of System KAN-therm UltraLine is the possibility of its assembly using standard electric drives used for radial pressing (e.g. System KAN-therm Press). This option is implemented by using a special System KAN-therm UltraLine adapter in combination with a "Press" tool.



Crimping forks

The design of System KAN-therm UltraLine crimping forks ensures a very wide angle of access to the fitting, which significantly increases the comfort of assembling the system in hard to reach places.



The possibility of approaching with the forks to the fitting at an angle from 0° to even 270° guarantees the greatest convenience and flexibility of assembly among the competitive solutions.

Completing System KAN-therm UltraLine tools

- **Set I:** tool case, expander, manual chain crimping tool, pipe shears and grease,
- **Set II:** tool case, expander, adapter for „Press“ type tools, pipe shears and grease,
- **Set III:** tool case, expander, battery crimping tool with spare battery, charger, pipe shears and grease,
- **Set IV:** tool case, battery expander, battery crimping tool, spare battery, charger, pipe shears and grease,
- **Set V:** tool case, expander and grease,
- **Set VI:** tool case, battery expander, battery crimping tool, spare battery, charger, pipe shears, expanding heads AL 16-25, crimping fork sets 16-25, pipe calibrator and grease,
- **Set VII:** tool case, battery expander, battery crimping tool, spare battery, charger, pipe shears, expanding heads PE 16-20, expanding head AL 25, crimping fork sets 16-25 and grease.

! **Note! Expanding heads and forks must be completed separately depending on the user preferences.**

Advantages of System KAN-therm UltraLine tools

- possibility of using manual chain tools and drives for „Press“ connections by the use of the System KAN-therm UltraLine adapter,
- crimping forks dedicated to specific diameters, without the need to differentiate in terms of material, fittings and sliding sleeves,
- mechanical bumper in the construction of crimping forks protects fittings and sleeves against possible damage due to excessive force by means of electric and electro-hydraulic drives,
- wide angle of access to the fitting for crimping forks further increases the convenience of mounting, especially in hard to reach places,
- quick and uncomplicated assembly – simple rules,
- safe and fault-free assembly process,
- new quality of tools – light and handy designs due to the use of high-quality materials,
- plastic cases equipped with a special interconnecting system guarantee a convenient manner of transporting tool sets.

Safety when using tools

All tools must be used according to their dedicated purpose and the manufacturer's instruction manual. Use for other purposes or in other areas is considered to be inconsistent with the intended use.

Intended use also requires compliance with the instructions, conditions of inspection and maintenance and relevant safety regulations in their current version.

All works done with tools, which do not meet the application compatible with its intended purpose may result in damage of tools, accessories and pipes. The consequence may be the leak and/or damage of connections.

1.8 Assembly of System KAN-therm UltraLine connections

To perform connections in System KAN-therm UltraLine, use original KAN-therm tools only. Tools are available as individual components or in complete sets. Standard assembly of the System should be carried out at an ambient temperature above 0 °C.

If it is necessary to carry out assembly in subzero temperatures, please contact the KAN Technical Department for additional information.

Before starting work:

- read the instructions for use of the tools which are included in the packaging or box with a set of tools,
- check technical condition of tools with which the connections are planned to be made.

Assembly of connections with a sliding sleeve

1. The selected System KAN-therm UltraLine pipe should be cut perpendicularly to the axis to the required length by means of pipe cutters. It is not allowed to use tools or scissors which are faulty (blunt or chipped).

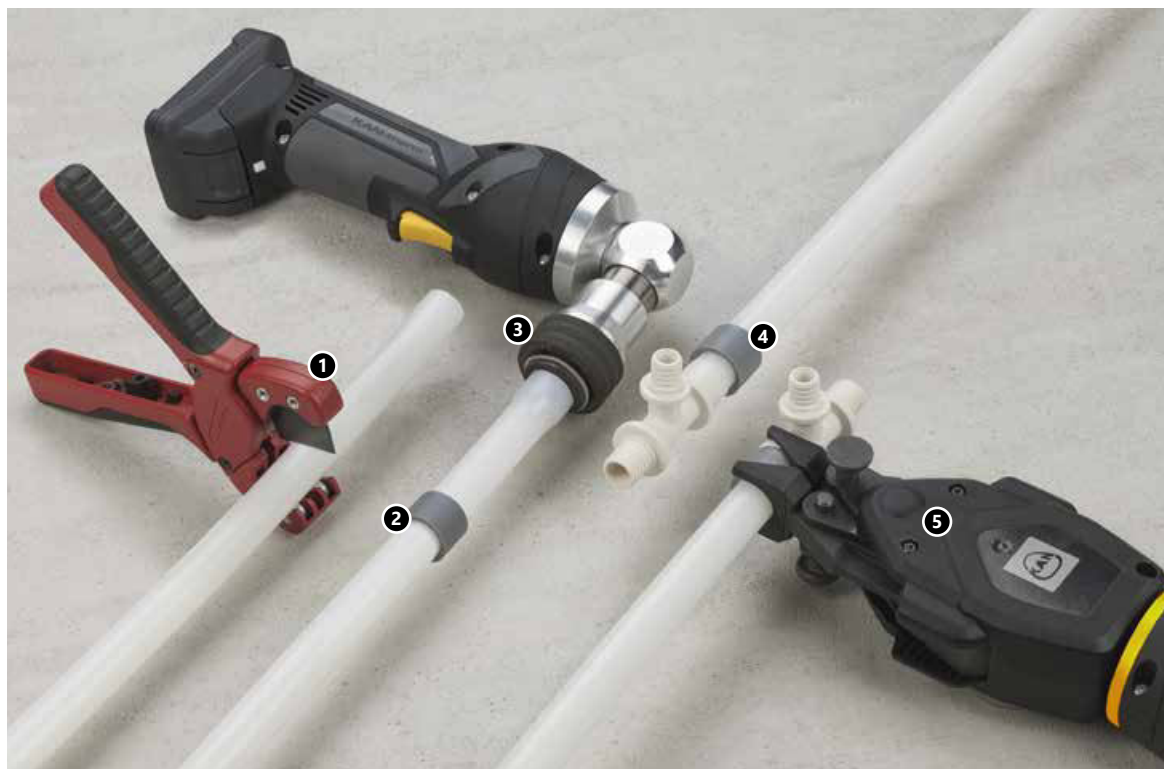
2. Put the sleeve onto the pipe. Symmetric structure allows both-side installation.

3. Pipe expander should be equipped with a head suitable for the type of the pipe and its diameter. Insert the expanding head fully into the pipe until it stops, axially into the pipe end. Expansion of the pipe should be carried out in two phases:

- I – initial full expansion of the pipe, in full range of the tool stroke, turn the expander by 30° after expansion,
- II - final expansion of the pipe, in full range of the tool stroke.

4. Directly (!) after expansion, insert the fitting into the pipe to the last protrusion on the fitting stub (do not push the pipe up to the fitting flange!). Do not use lubricants.

5. Detailed guidelines for sliding the sleeves are mentioned in point 5a - 8.



If cracks appear on the expanded section of pipe or the pipe has not been expanded evenly on the entire circumference, cut off the damaged piece and carry out the expansion again. If the pipe is excessively stretched, its material may build up during the connecting. In such a case, finish sliding the sleeve onto the pipe in front of fittings flange (keep a distance of max. 2 mm from the fitting flange).

Expanding of pipes in temperatures below 0 °C must be done in modified method - see chapter „System KAN-therm assembly in temperatures below 0 °C“.

5a. Crimping machine should be equipped with special forks. A separate set of forks is intended for each diameter. The forks are equipped with special bumpers protecting the fitting and the sleeve against damage due to excessive crimping force.

5b. Slide the sleeve using manual chain press. The fittings may be grabbed only by their flanges. It is forbidden to slide on two sleeves at the same time.

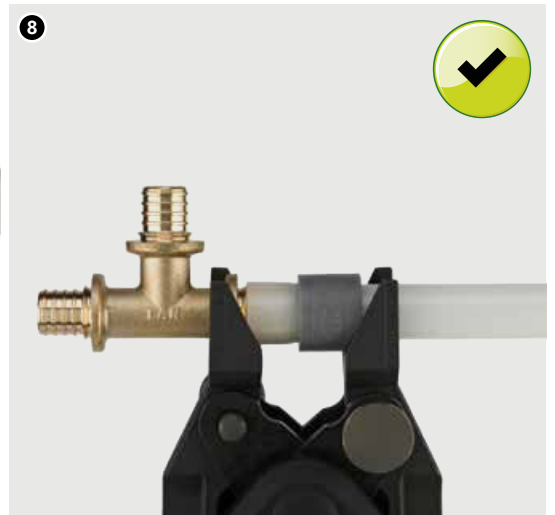
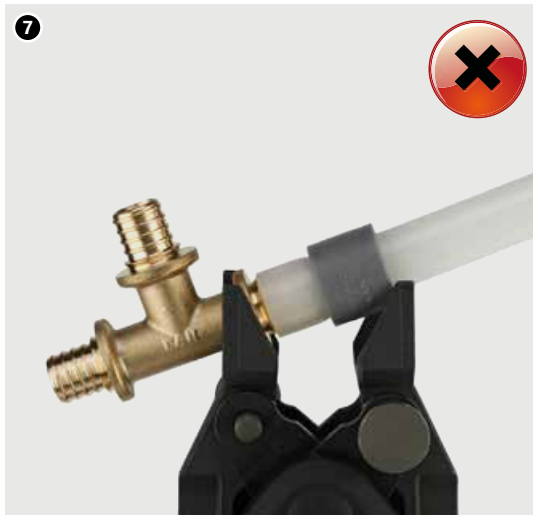


5c. It is possible to slide a sleeve on with the use of electric drives, typical for "Press" connections. The condition to use this type of tools for sliding the sleeve is the use of a special adapter provided by System KAN-therm UltraLine. When sliding the sleeve onto the fitting, the assembly process should be observed – after the sleeve is pushed up to the fitting flange, the sliding process should be stopped.



6. The connection is ready for the pressure testing.

7 – 8. Pay attention to correct position of the fittings in the forks of the tools. In the event of non-compliance with this rule, the fitting and the components of the connection may be overloaded.



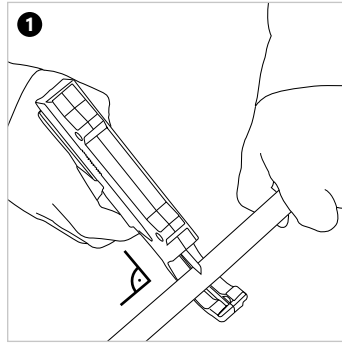
NOTE!

When making connections of the System KAN-therm UltraLine, special attention should be paid to the correct position of the fitting in the forks of the tool. Always insert the forks to their full depth and at right angle to the connection being made. Do not move the crimping tool sideways while making connections.

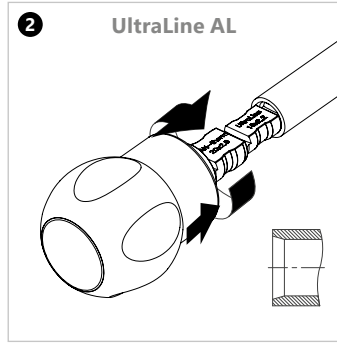
Installation of universal threaded couplings and threaded connectors

Fittings of this type are made of brass. The connections include a coupling body with a stub pipe and an O-Ring seal, a cut brass ring and a threaded pressure nut are applied.

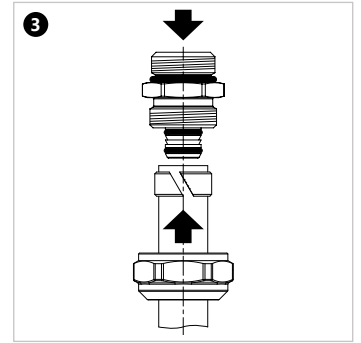
1. The selected System KAN-therm UltraLine pipe should be cut perpendicularly to the axis to the required length by means of pipe cutters. It is not allowed to use tools or scissors which are faulty (blunt or chipped).



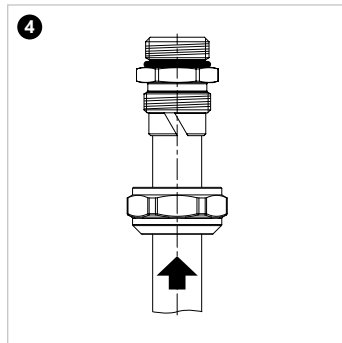
2. Calibrate the pipe and chamfer (only UltraLine AL) its inner edges with a calibrator but not deeper than to the aluminium layer. Fit onto a pipe the screwed joint nut with the cut ring (or a connection nut).



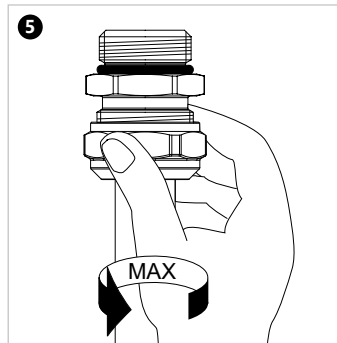
3. Screw the connector body into the fitting with sealing the thread utilizing hemp or Teflon tape. Put a clamping nut on the pipe and then place a cut ring at the end of the pipe, noting that it should be located at a distance from the edge of the pipe between 0,5 to 1 mm.



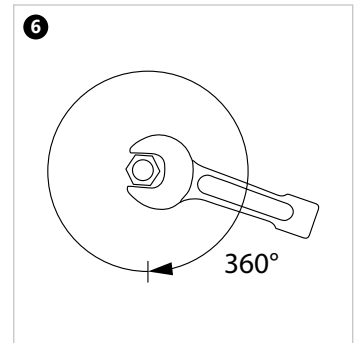
4. Insert the pipe fully over the coupling stub pipe (do not use any lubricants, do not make any twisting movement of the fitting in relation to the pipe).



5. As far as possible, tighten the nut over the pipe and the cut ring by hand, without using any additional tools – hand tightening only.



6. Tighten the nut over the pipe and cut ring with a spanner. When tightening, just one full 360° rotation is needed to obtain proper seal.

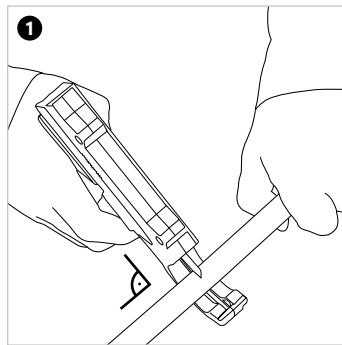


The connection can be considered as dismantable provided that after removing the coupling stub from the pipe, the worn end of the pipe will be cut off before making a new connection.

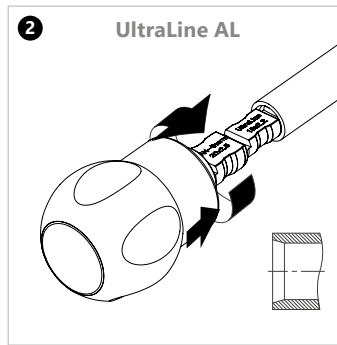
Installation of universal pipe unions

It is a variation of threaded connections, in which the basic element is a clamping cone with an O-Ring seal which does not require additional sealing methods. They can be treated as detachable, provided that the pipe is not removed from the fitting.

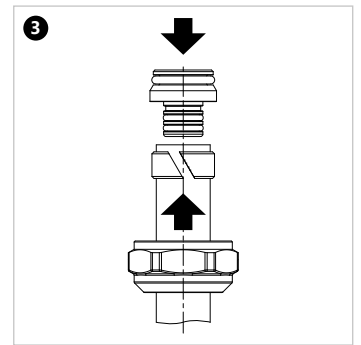
1. The selected System KAN-therm UltraLine pipe should be cut perpendicularly to the axis to the required length by means of pipe cutters. It is not allowed to use tools or scissors which are faulty (blunt or chipped).



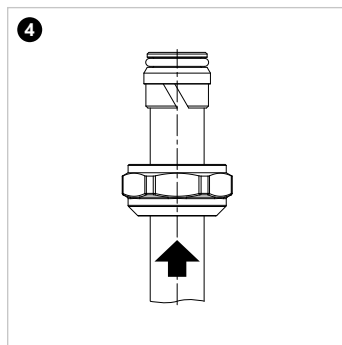
2. Calibrate the pipe and chamfer (only UltraLine AL) its inner edges with a calibrator but not deeper than to the aluminium layer.



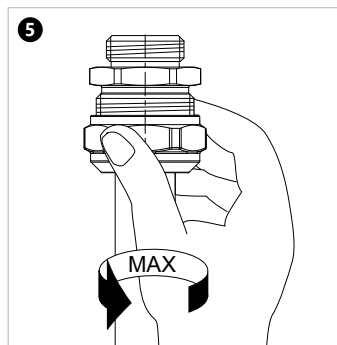
3. Put a clamping nut on the pipe and then place a cut ring at the end of the pipe, noting that it should be located at a distance from the edge of the pipe between 0,5 to 1 mm.



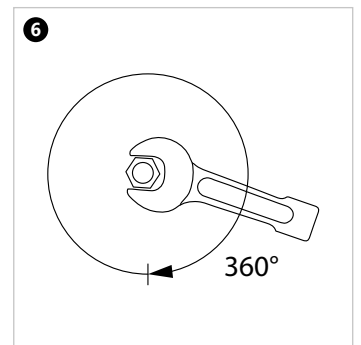
4. Insert the pipe fully over the coupling stub pipe (do not use any lubricants, do not make any twisting movement of the fitting in relation to the pipe).



5. As far as possible, tighten the nut over the pipe and the cut ring by hand, without using any additional tools – hand tightening only.



6. Tighten the nut over the pipe and cut ring with a spanner. When tightening, just one full 360° rotation is needed to obtain proper seal.



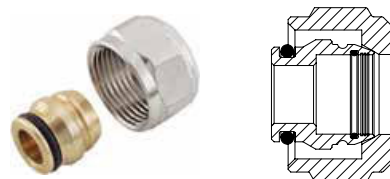
Assembly of unions to metal pipes

System KAN-therm offer includes three types of unions for connecting metal pipes.

G $\frac{3}{4}$ " 1709043005 and G $\frac{1}{2}$ " 1709043003 copper pipe unions can work with 15 mm nickel-plated copper pipes.

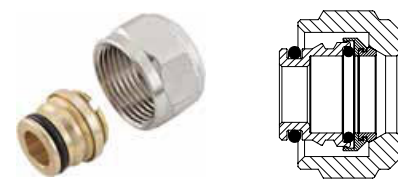
Universal 1709043010 pipe unions can work with metal pipes (copper, nickel-plated copper, System KAN-therm Steel and Inox pipes with a diameter of 15 mm). The design of the universal pipe union allows its multiple use.

1709043005
1709043003

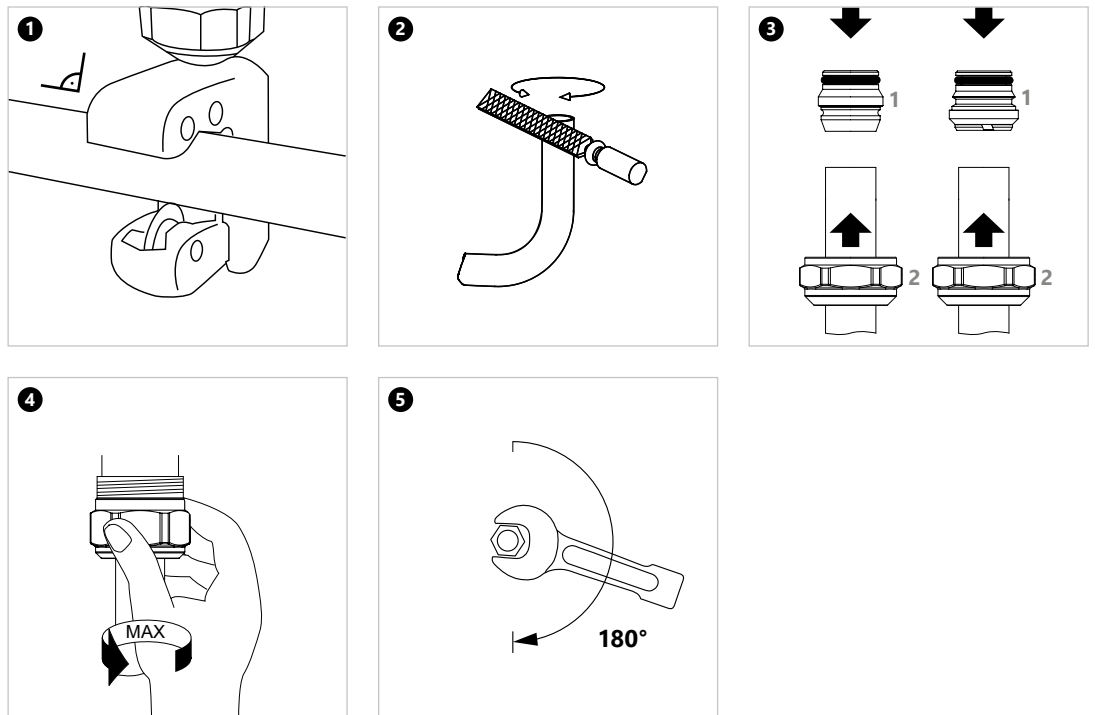


Cu 15 mm

1709043010



Cu 15mm
Steel/Inox 15 mm



NOTE

To eliminate excessive overload on fittings by bending force, it is not recommended to bend pipes at a distance less than 10 external diameters from the fitting.



Transport and storage

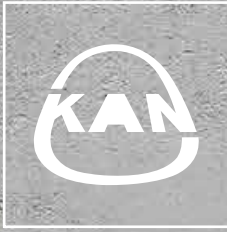
PERT² and PE-X pipes as well as multilayer PERTAL² pipes can be stored at temperatures below 0 °C, then they should be protected against dynamic loads. They should be protected against mechanical damage during transport. Due to the sensitivity to ultraviolet rays, the pipes should be protected against direct long-term exposure to sunlight, both during storage, transport and assembly.

During storage, transport and assembly of pipes and fittings:

- avoid surfaces with sharp edges or loose sharp elements on its surface,
- do not shift directly on concrete surfaces,
- protect against dirt, mortar, oils, greases, paints, solvents, moisture chemicals, etc.,
- remove components from the original packaging immediately before assembly,



Detailed information about storage and transport of components can be found at www.kan-therm.com.



Install your **future**



SYSTEM **KAN-therm**

Push Push Platinum

Reliability and prestige

Ø 12-32 mm

Table of contents

2 System **KAN-therm** Push / Push Platinum

2.1	General information	45
2.2	Pipes in the KAN-therm Push / Push Platinum	47
	Pipe structure and material – physical properties	47
	Marking of e.g. PE-RT pipes	49
	PE-RT pipes	50
	Pipe color, packaging	50
	PE-RT pipe dimension parameters	50
	PE-X pipes	51
	Pipe color, packaging	51
	PE-X pipe dimension parameters	51
	PE-Xc/Al/PE-HD Platinum Pipes	52
	Color, packaging	52
2.3	Scope of use	52
2.4	PE-X, PE-RT and PE-Xc/Al/PE-HD Platinum installation joints	54
	Push joints with sliding sleeves	54
	Components of Push/Push Platinum joints	55
	Push fittings	55
	PPSU – Perfect installation material	57
	Contact with substances containing solvents, thread sealants	57
	Execution of Push joints with sliding sleeves	58
	Tools	58
	Expanding heads	59
	Assembly of Push joints	60
2.5	Transport and storage	71

2 System KAN-therm Push / Push Platinum

2.1 General information

KAN-therm Push is a complete installation system consisting of PE-X, PE-RT polyethylene pipes and PPSU or brass fittings of diameters Ø12–32 mm.

KAN-therm Push Platinum is a complete installation system consisting of PE-Xc/Al/PE-HD Platinum multilayer polyethylene pipes and PPSU or brass fittings of diameters Ø14–32 mm.

KAN-therm Push joints are executed by pushing expanded pipe ending onto a fitting, and then by sliding a brass (only KAN-therm Push) or plastic (KAN-therm Push and KAN-therm Push Platinum) sleeve onto such connection.

This technique does not require any additional sealants and guarantees perfect tightness and durability of the installation.

The system is designed for indoor water supply installations (hot and cold tap water) as well as heating installations.

It can also be used for the distribution of other types of media - please consult with KAN Technical Department.

The KAN-therm Push and KAN-therm Push Platinum systems are characterized by:

- guaranteed durability for over 50 years,
- resistance to scaling,
- resistance to hydraulic impacts,
- high smoothness of internal surfaces,
- physiological and microbiological neutrality in potable water installations,
- environmentally friendly materials,
- easy and quick assembly,
- impressive installation lightness,
- possibility of executing joints in construction partitions,
- effective anti-diffusion barrier,
- possibility of applying uniform and multilayer polyethylene pipes interchangeably.

KAN-therm Push



KAN-therm Push Platinum



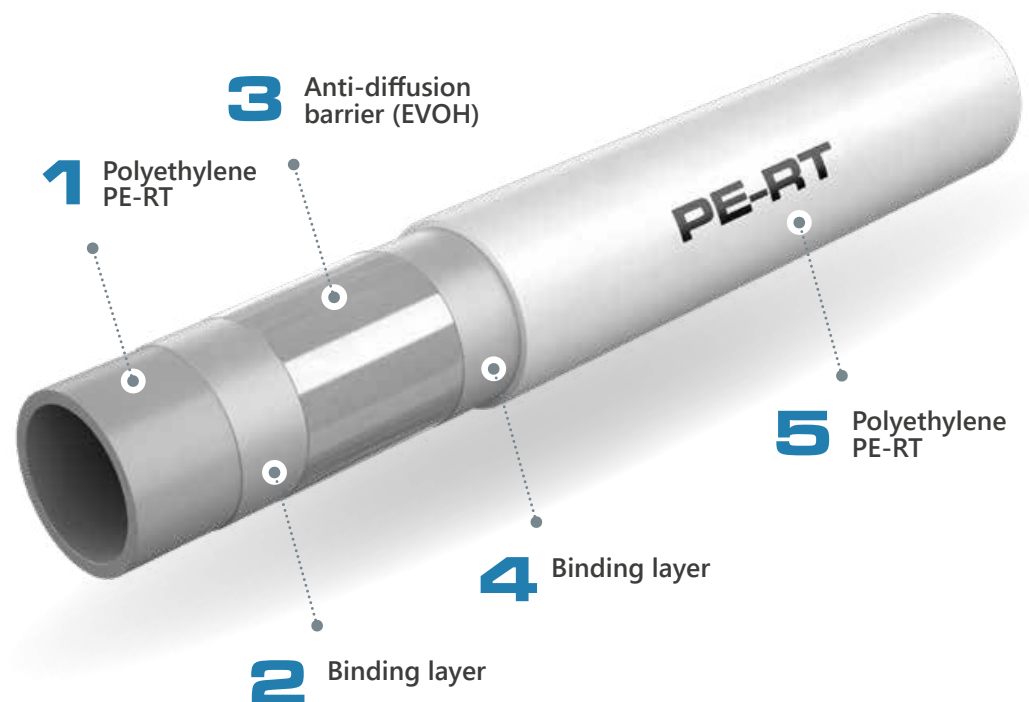
2.2 Pipes in the KAN-therm Push / Push Platinum

Pipe structure and material – physical properties

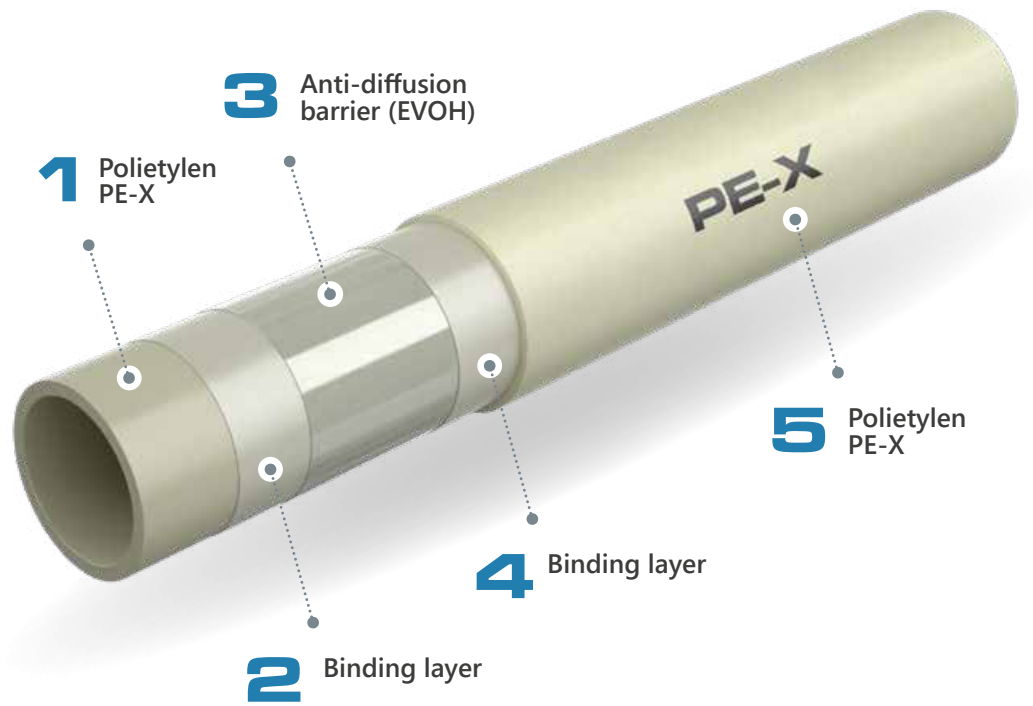
Due to economic and technical aspects, and the possibility of optimizing the scope of use, the KAN-therm Push System offers two types of polyethylene pipes with similar working parameters – PE-RT and PE-X pipes. KAN-therm Push Platinum uses multilayer PE-Xc/Al/PE-HD pipes.

- **PE-RT pipes** are made of polyethylene copolymer with increased thermal resistance (type II) resistant to high temperatures and with excellent mechanical properties.
- **PE-X pipes** are manufactured of high density polyethylene cross-linked with a stream of electrons on a molecular level (the "c" physical method, without the use of chemicals). Polyethylene structure cross-linking results in achieving the most optimal and very high resistance to thermal, and mechanic loads. Degree of cross-linking > 60%.
- Both pipe types, that is PE-X and PE-RT are made in a five-layer construction. This means that the EVOH antidiffusion coating, which protects the system against ingress of oxygen into the pipeline, is made as an inner layer covered with an additional layer of PE-X or PE-RT polyethylene.
- The barrier made of EVOH (Ethylene vinyl alcohol) meets the requirements of DIN 4726 (penetrability < 0,10 g O₂/m³ × d). Pipes with EVOH layer may also be used in tap water installations.
- **PE-Xc/Al/PE-HD multilayer pipes of System KAN-therm Push Platinum** is a multilayer pipe where core is made of electron beam cross-linked polyethylene PE-Xc. A laser-welded layer of aluminum provides complete diffusion tightness and significantly reduces the thermal elongation of the pipe. The external layer is made of high density polyethylene PE-HD and shields the aluminum layer against damage. Thanks to such structure, pipes do not have a shape memory, allowing them to be formed in any way.

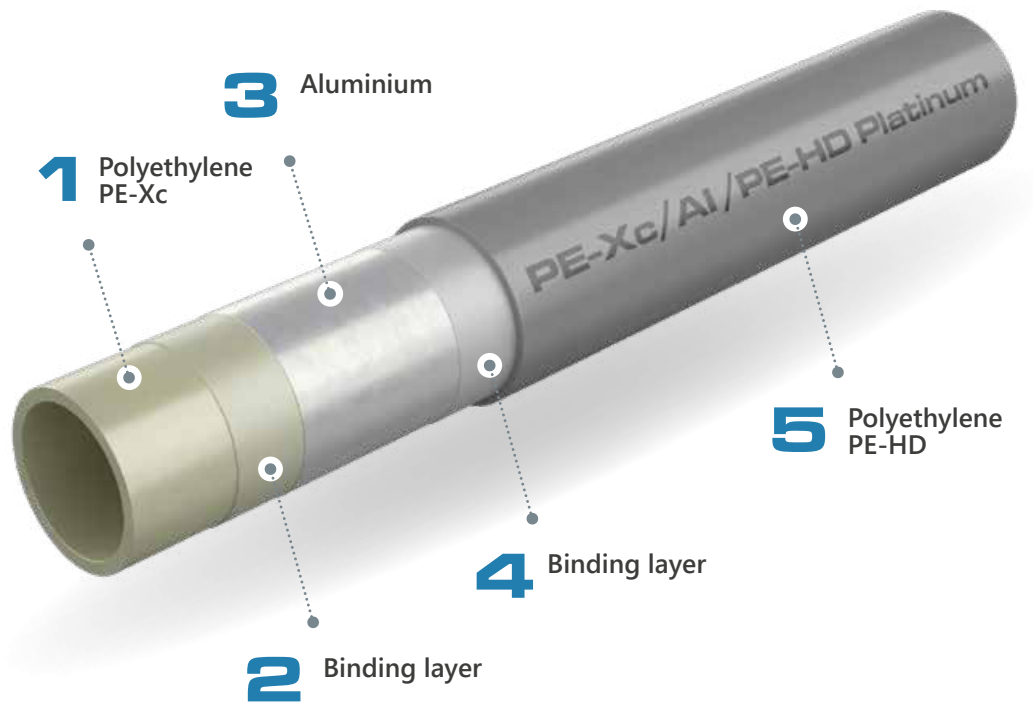
Cross-section of PE-RT pipe with anti-diffusion coating



Cross-section of PE-X pipe with anti-diffusion coating



PE-Xc/Al/PE-HD Platinum pipe cross-section



Physical properties of PE-RT, PE-X and PE-Xc/Al/PE-HD Platinum

Property	Symbol	Unit	PE-X	PE-RT	PE-Xc/Al/PE-HD Platinum
Linear elongation coefficient	α	mm/m × K	0,14 (20 °C) 0,20 (100 °C)	0,18	0,025
Thermal conductivity	λ	W/m × K	0,35	0,41	0,4
Density	ρ	g/cm ³	0,94	0,933	0,95
Module E	E	N/mm ²	600	580	2950
Extension when stretching		%	400	1000	-
Minimal bending radius	R_{\min}		5 × De	5 × De	5 × De 3,5 × De (with spring)
Internal wall roughness	k	mm	0,007	0,007	0,007

Marking of e.g. PE-RT pipes

All pipes are marked with permanent descriptions with a 1-m span, containing i. a. the following indications:

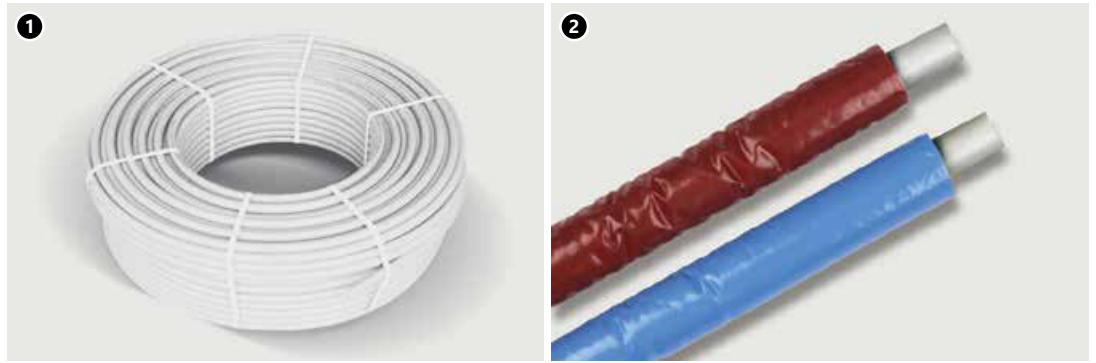
Marking description	Example of marking
Name of manufacturer and/or trademark:	KAN, KAN-therm
Nominal external diameter × wall thickness	25 × 3,5
Pipe structure (material)	PE-RT
Pipe code	1129198070
Number of standard or Technical Certificate	PN-EN ISO 21003
Application class/es with design pressure	Class 2/10 bar, Class 5/10 bar
Diffusion marking	Sauerstoffdicht nach DIN 4726
Date of production	18.08.09
Other manufacturer markings, e.g. running meter, batch number	045 m



Notice – other, additional markings, e.g. numbers of certificates (e.g. DVGW) may also be inscribed on the pipe.

PE-RT pipes

1. PE-RT pipes
2. PE-RT pipes with thermal insulation



Pipe color, packaging

The color of the pipe is milk-white, the surface – glossy. Depending on pipe diameter, pipes are supplied in 25, 50, 100-m coils in cardboard boxes and on 375, 500, 750, 1000, 3000 and 4000 m pallets. Pipes are also offered in a version with thermal insulation, 6 mm thick.

PE-RT pipe dimension parameters

PE-RT pipes are offered in types of series: S (pipe series) corresponding to the pressure series PN 20 and PN 12.5.

KAN-therm PE-RT pipes with anti-diffusion layer

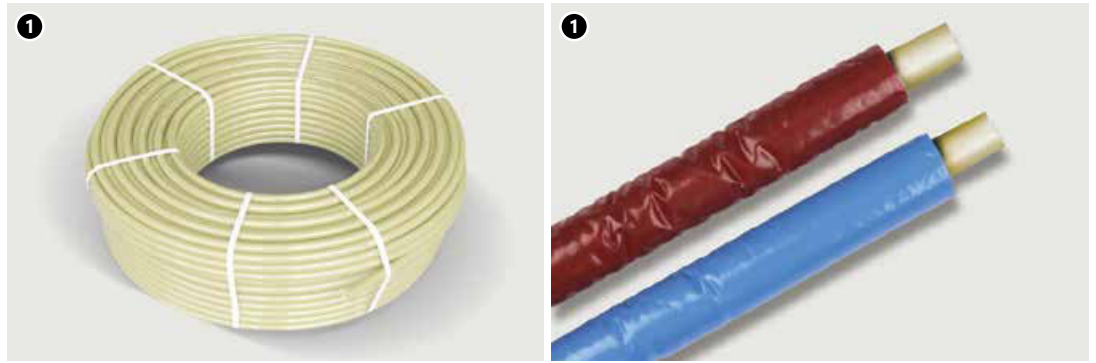
Dimensions, weight by unit, water capacity

DN	External diameter × wall thickness	Wall thickness	Internal diameter	S dimension series	Weight by unit	Number in roll	Water capacity
	mm × mm	mm	mm		kg/m	m	l/m
12	12 × 2,0	2,0	8,0	2,50	0,071	200	0,050
14	14 × 2,0	2,0	10,0	3,00	0,085	200	0,079
18*	18 × 2,0*	2,0	14,0	4,00	0,119	200	0,154
18	18 × 2,5	2,5	13,0	3,10	0,125	200	0,133
25	25 × 3,5	3,5	18,0	3,07	0,247	50	0,254
32	32 × 4,4	4,4	23,2	3,14	0,390	25	0,423

* Optional diameter – check the maximum operating conditions of the pipe for a specific application class.

PE-X pipes

1. PE-X pipe.
2. PE-X pipe with thermal insulation.



Pipe color, packaging

The color of the pipe is creamy, the surface – glossy. Depending on pipe diameter, pipes are supplied in 25, 50, 100, 200-m coils in cardboard boxes and on 500, 750, 1000, 1500, 3000 and 4000 m pallets. Pipes are also offered in a version with thermal insulation, 6 mm thick.

PE-X pipe dimension parameters

PE-X pipes are offered in types of series: S (pipe series) corresponding to the pressure series PN 20 and PN 12.5.

KAN-therm PE-X pipes with anti-diffusion layer

Dimensions, weight by unit, water capacity

DN	External diameter x wall thickness	Wall thickness	Internal diameter	S dimension series	Weight by unit	Number in roll	Water capacity
	mm x mm	mm	mm		kg/m	m	l/m
12	12 x 2,0	2,0	8,0	2,50	0,071	200	0,050
14	14 x 2,0	2,0	10,0	3,00	0,085	200	0,079
18*	18 x 2,0*	2,0	14,0	4,00	0,119	200	0,154
18	18 x 2,5	2,5	13,0	3,10	0,125	200	0,133
25	25 x 3,5	3,5	18,0	3,07	0,247	50	0,254
32	32 x 4,4	4,4	23,2	3,14	0,390	25	0,423

* Optional diameter - check the maximum operating conditions of the pipe for a specific application class.

PE-Xc/Al/PE-HD Platinum Pipes

Color, packaging

The color of the pipe is silvery. Depending on pipe diameter, pipes are supplied in 25, 50, 200-meter rolls in cardboard boxes and on 375, 750, 3000 m pallets.

KAN-therm PE-Xc/Al/PE-HD Platinum pipes Dimensions, weight by unit, water capacity

DN	External diameter × wall thickness	Wall thickness	Internal diameter	Weight by unit	Number in roll	Water capacity
	mm × mm	mm	mm	kg/m	m	l/m
14	14 × 2,25	2,25	9,5	0,109	200	0,071
18	18 × 2,5	2,5	13,0	0,150	200	0,133
25	25 × 3,7	3,7	17,6	0,303	50	0,243
32	32 × 4,7	4,7	22,6	0,440	25	0,401

2.3 Scope of use

Pipes and connectors in System KAN-therm Push/Push Platinum are characterised by compliance with applicable standards, which guarantees a long and trouble-free operation as well as full safety of assembly and usage of the installation.

- **PPSU Push joints:** compliance with PN-EN ISO 15875-3:2005; approved for use by the National Institute of Hygiene,
- **Brass joints and connectors:** compliance with PN-EN 1254-3; approved for use by the National Institute of Hygiene,
- **PE-RT pipes:** compliance with PN-EN ISO 21003-2; approved for use by the National Institute of Hygiene,
- **PE-X pipes:** compliance with PN-EN ISO 15875-2:2004; approved for use by the National Institute of Hygiene,
- **PE-Xc/Al/PE-HD Platinum pipes:** compliance with PN-EN ISO 21003-2; approved for use by the National Institute of Hygiene.

Working parameters and scope of use of PE-X, PE-RT and PE-Xc/Al/PE-HD Platinum piping installations

Application class (acc. to ISO 10508)	T_{op}/T_{max} [°C]	Nominal diameter	Operating pressure P_{op} [bar]			Connection type			
			PE-X	PE-RT	PE-Xc/ Al/PE-HD Platinum	Push (sliding sleeve)		Threaded	
						PE-RT PE-X	Platinum	PE-RT PE-X	Platinum
Cold tap water	20	12 × 2,0	10	10	10	+	+	+	-
		14 × 2,0	10	10	10	+	+	+	+
		18 × 2,0	10	10	-	+	-	+	-
		18 × 2,5	10	10	10	+	+	+	+
		25 × 3,5	10	10	10	+	+	+	-
		32 × 4,4	10	10	10	+	+	+	-
Hot tap water [class 1]	60/80	12 × 2,0	10	10	10	+	+	+	-
		14 × 2,0	10	10	10	+	+	+	+
		18 × 2,0	10	10	-	+	-	+	-
		18 × 2,5	10	10	10	+	+	+	+
		25 × 3,5	10	10	10	+	+	+	-
		32 × 4,4	10	10	10	+	+	+	-
Hot tap water [class 2]	70/80	12 × 2,0	10	10	10	+	+	+	-
		14 × 2,0	10	10	10	+	+	+	+
		18 × 2,0	10	10	-	+	-	+	-
		18 × 2,5	10	10	10	+	+	+	+
		25 × 3,5	10	10	10	+	+	+	-
		32 × 4,4	10	10	10	+	+	+	-
Low temperature heating, radiant heating [class 4]	60/70	12 × 2,0	10	10	10	+	+	+	-
		14 × 2,0	10	10	10	+	+	+	+
		18 × 2,0	10	10	-	+	-	+	-
		18 × 2,5	10	10	10	+	+	+	+
		25 × 3,5	10	10	10	+	+	+	-
		32 × 4,4	10	10	10	+	+	+	-
Radiator heating [class 5]	80/90	12 × 2,0	10	10	10	+	+	+	-
		14 × 2,0	10	10	10	+	+	+	+
		18 × 2,0	8	8	-	+	-	+	-
		18 × 2,5	10	10	10	+	+	+	+
		25 × 3,5	10	10	10	+	+	+	-
		32 × 4,4	10	10	10	+	+	+	-

Operating pressure calculated according to the standards: PN-EN ISO 15875-2:2004 for PE-X pipes and PN-EN ISO 21003-2:2009 for PE-RT and Platinum pipes.



Notice!

Design pressures of PE-RT pipes in a three-layer construction (3W) in accordance with PN-EN ISO 22391-2:2010 in individual application classes can be lower.



Notice

According to ISO 10508, the following application classes are distinguished, in which working temperature parameters are defined for installations (working temperature T_{op} / maximum temperature T_{max} / malfunction temperature T_{mal}):

- **1 class** – Hot tap water 60 °C ($T_{op}/T_{max}/T_{mal}$ – 60/80/95),
- **2 class** – Hot tap water 70 °C ($T_{op}/T_{max}/T_{mal}$ – 70/80/95),
- **4 class** – Floor heating, low-temperature heater system 60 °C ($T_{op}/T_{max}/T_{mal}$ – 60/70/100),
- **5 class** – Heater system 80 °C ($T_{op}/T_{max}/T_{mal}$ – 80/90/100).

Working temperature for particular application classes depends on the series of pipes S (types of series by dimensions)

$$S = (d_i - t_n) / 2 t_n$$

where d_i – internal diameter of the pipe; t_n – pipe wall thickness

2.4 PE-X, PE-RT and PE-Xc/Al/PE-HD Platinum installation joints

The basic technique of connecting pipes in the KAN-therm Push/Push Platinum system is the “Push” crimping technique, based over sliding a brass or plastic sleeve over the pipe and the the fitting nozzle. Such method can also be used to connect pipes to devices and appliances.

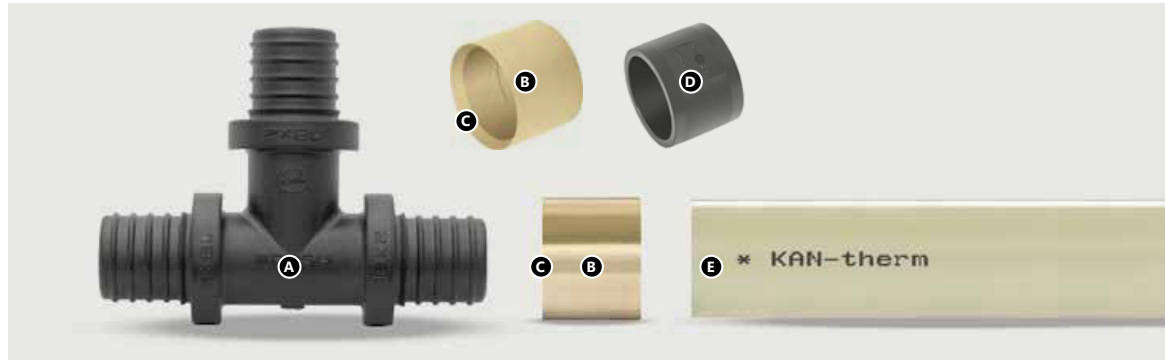
Push joints with sliding sleeves

Fittings for “Push” connections are universal and can be used with PE-X and PE-RT pipes (KAN-therm Push System) and PE-Xc/Al/PE-HD Platinum multilayer pipes (KAN-therm Push Platinum System). Fittings are equipped with special profiled stubs (without additional sealants) inserted into the expanded ending of the pipe, and after that a brass or a plastic (PVDF) sleeve is slid onto the joint. The pipe is then tightened radially on the stub. Such connection allows conducting installations in construction partitions (in flooring finishing coats and under layers of plaster), without any limitations.

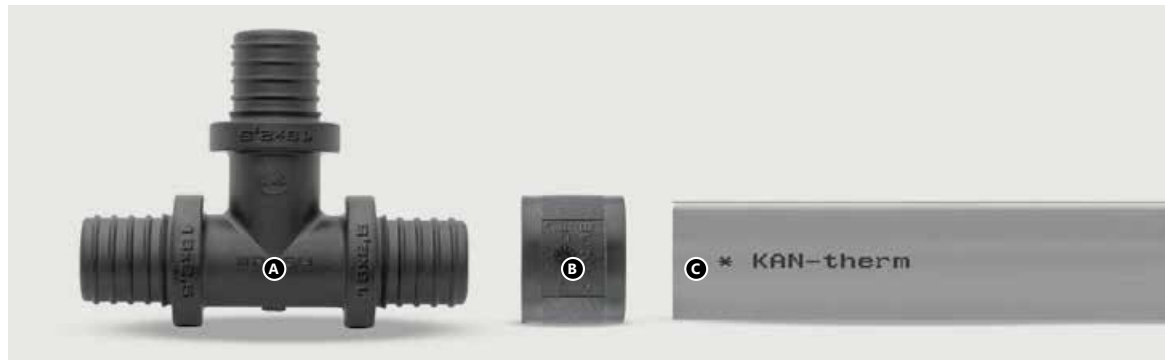
Brass sliding sleeves can be used only with PE-RT and PE-X pipes, while PVDF plastic sleeves can be used with PE-RT and PE-X pipes as well as PE-Xc/Al/PE-HD Platinum pipes.

Components of Push/Push Platinum joints

- A. Push fitting - PPSU or brass
- B. Brass sliding sleeve - asymmetrical design
- C. Chamfered internal edge of the ring
- D. PVDF sliding sleeve - symmetrical design, no need for positioning.
- E. PE-X or PE-RT pipe

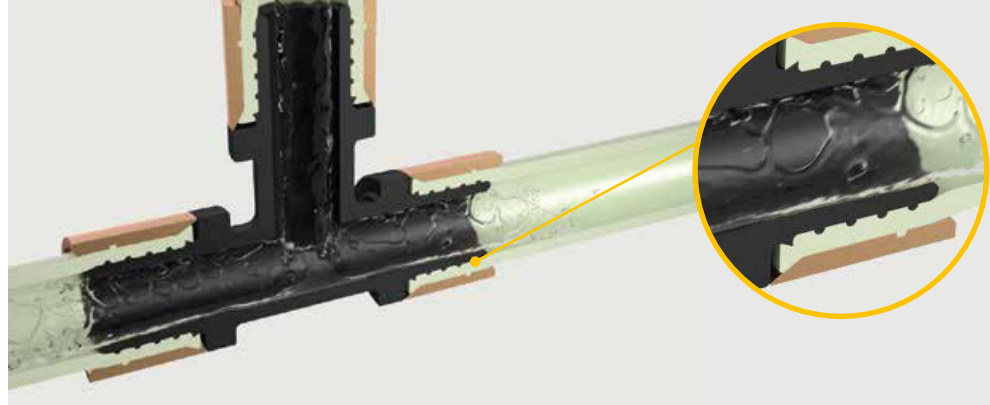


- A. Push fitting - PPSU or brass
- B. PVDF sliding sleeve - symmetrical design, no need for positioning.
- C. PE-Xc/Al/PE-HD Platinum pipe



Caution: In case of the KAN-therm Platinum System, only PVDF sliding sleeves may be used.

Cross-section of a Push joint



Push fittings

Fittings in the KAN-therm system are universal. They may be used to connect PE-RT and PE-X polyethylene pipes as well as PE-Xc/Al/PE-HD Platinum multilayer pipes.

KAN-therm Push and KAN-therm Push Platinum offer a comprehensive selection of fittings with sliding sleeves:

- elbows and tees, couplings,
- elbows, tees and other fittings with 15 mm copper nickel-plated pipes for connecting to radiators and fixtures,
- fittings with male and female threads, union adapters,
- tap connections.

Fittings are made of advanced PPSU material or high quality brass.

Push fittings



Push fittings for connecting radiators Cu 15 mm*.



Threaded Push fittings



Push fittings – tap and valve connections*



*Methods of connecting radiators and taps using KAN-therm Push/Push Platinum system fittings are presented in a separate chapter titled **“Water supply and heating distribution installation joints in the KAN-therm System”**.

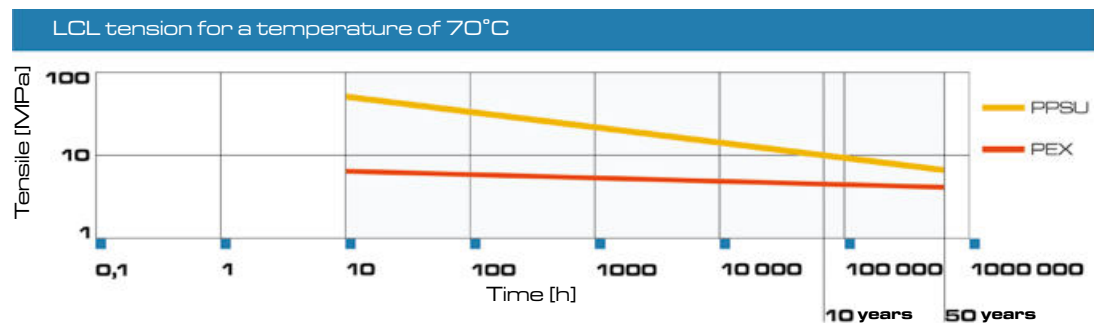
PPSU – Perfect installation material

Polyphenylsulfone (PPSU) is a reliable structural material, used to construct installations, f.i. as a building material in joints and fittings, pump enclosures, exchanger elements, components and inserts of intake taps for many years now. In the KAN-therm Push/Push Platinum is used to manufacture elbows, tees, couplings and tap connections.

The basic properties of PPSU which determine the possibility of using it as a raw material for the production of fittings and connectors for domestic hot water and central heating installations are:

- its neutral character in contact with water and food, proven by numerous tests carried out by world leading testing institutions (NSF, WRc),
- high resistance to ageing processes as a result of high temperature and pressure impact, allowing for the use of this material in hot tap water and central heating installations and guaranteeing over 50-year life span of our fittings,
- proper resistance to water erosion, even for water with very high chlorine content and very high temperatures,
- no permanent deformations of the material subjected to mechanic impacts in high temperatures, which determines the stability of fittings in time (resistance to material creeping), and thus the tightness of joints,
- high resistance to impacts and mechanic loads,
- small weight compared to metal fittings.

Durability of PPSU fittings is higher compared to plastic pipes



Contact with substances containing solvents, thread sealants

- Secure the plastic (PPSU) elements of System KAN-therm against contact with paints, primers, solvents or materials containing solvents, e.g. varnish, aerosols, fitting foams, adhesives, etc. In unfavorable circumstances, these substances could potentially damage the plastic components of pipes.
- Make sure that substances sealing the joints, cleaning solutions or solutions used to insulate KAN-therm System components do not contain any compounds which could cause tension fractures. These include ammonia, solutions containing ammonia, aromatic solvents and compounds retaining oxygen (e.g. ketone or ether) or chlorinated hydrocarbons.
- Do not use fitting foams based on methacrylate, isocyanate and acrylate when in contact with plastic (PPSU) elements of System KAN-therm.
Avoid direct contact of plastic (PPSU) fittings and pipes with adhesive tapes and adhesives for insulation.
- In threaded fittings, use a proper amount of tow as to leave the ending of the thread bare and visible. Too much tow may disrupt the thread. Winding tow just above the first coil of the thread will prevent the tow from tangling up and the thread from being damaged.



Notice!

Do not use chemical sealants or adhesives.

Execution of Push joints with sliding sleeves

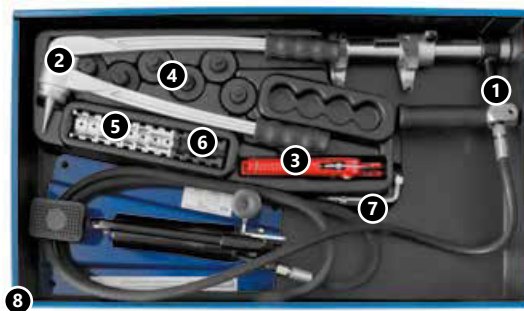
Tools

Use only original KAN-therm tools to execute all joints in the KAN-therm Push / Push Platinum system. The tools are available as single elements or in complete sets.

Before starting any works, please read all instruction manuals for the tools. Instruction manuals are located in tool packs or in tool boxes. A set of tools includes:

- a pipe cutter for PE-X, PE-RT or PE-Xc/Al/PE-HD Platinum pipes,
- an expander for pipe (manual or battery-powered),
- a set of expander heads for PE-X and PE-RT or PE-Xc/Al/PE-HD Platinum pipes - depending on the type of set,
- manual chain press, hydraulic pedal press or a battery-powered press - depending on the type of set,
- a set of inserts in various configurations, depending on the type of fittings connected (see notice below),
- a tool box.

A set with hydraulic press and pedal drive



1. hydraulic press with pedal drive
 2. pipe expander
 3. pipe cutter for PE-X, PE-RT and PE-Xc/Al/PE-HD Platinum pipes
 4. a set of expander heads (12 × 2; 14 × 2; 18 × 2; 18 × 2,5; 25 × 3,5; 32 × 4,4)*
 5. a set of inserts for slide sleeves (brass and PVDF) (12, 14, 18, 25) – 2 pieces each
 6. a set of inserts for plastic fittings (T12, T14; T18; T25) – 1 piece each
 7. an allen key
 8. tool box
- * only for PE-X, PE-RT or PE-Xc/Al/PE-HD Platinum pipes - depending on the type of set.

A set with manual chain press



1. manual chain press
 2. pipe expander
 3. PE-X, PE-RT and PE-Xc/Al/PE-HD Platinum pipe cutter
 4. a set of expander heads (12 × 2; 14 × 2; 18 × 2; 18 × 2,5; 25 × 3,5; 32 × 4,4)*
 5. a set of inserts for slide sleeves (brass and PVDF) (12, 14, 18, 25) – 2 pieces each
 6. a set of inserts to plastic fittings (T12, T14, T18, T25) – 1 piece each
 7. two pairs of forks for connecting the following diameters: 12-18 mm and 25-32 mm
 8. tool box
- * only for PE-X, PE-RT or PE-Xc/Al/PE-HD Platinum pipes - depending on the type of set.

A set with battery-powered press



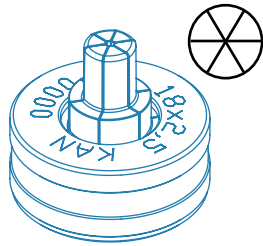
1. Battery-powered press – 1 piece
 2. Battery-powered expander – 1 piece
 3. Battery (standard) – 2 pieces
 4. Charger – 1 piece
 5. Tool box – 1 piece
 6. Press insert box – 1 piece
 7. a set of inserts to plastic fittings (T12, T14, T18, T25) – 1 piece each
 8. a set of inserts for slide sleeves (brass and PVDF) (12, 14, 18, 25) – 2 pieces
 9. Expander head 12 × 2, 14 × 2, 18 × 2, 18 × 2,5, 25 × 3,5, 32 × 4,4 – (1 piece each)*.
 10. Grease for expander
- * only for PE-X, PE-RT or PE-Xc/Al/PE-HD Platinum - depending on the type of set.

Expanding heads

Expanding heads for PE-X and PE-RT pipes are made in two different constructions:

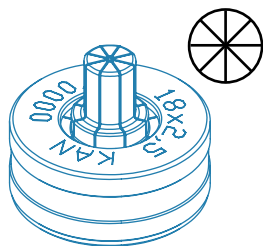
“THREE STEPS”

6-piece heads for diameters 12 × 2; 14 × 2; 18 × 2; 18 × 2,5; 25 × 3,5 and 32 × 4,4, „THREE STEPS” requiring the pipe end to be expanded in three steps,



“ONE STEP”

8-piece heads for diameters 14 × 2; 18 × 2; 18 × 2,5; 25 × 3,5 and 32 × 4,4, „ONE STEP” requiring the pipe end to be expanded in one step.



All heads for expanding PE-X and PE-RT pipes are marked with colour stripes for easy identification of diameters and are supplied as a set in a practical box. Identification of diameters by colour is also applied to inserts for press tools. This method of identification will certainly facilitate the work of installers, retailers or tool rental companies.



In the case of PE-Xc/Al/PE-HD Platinum pipes use separate „ONE STEP” expanding heads, in the diameter range of 14-32 mm.



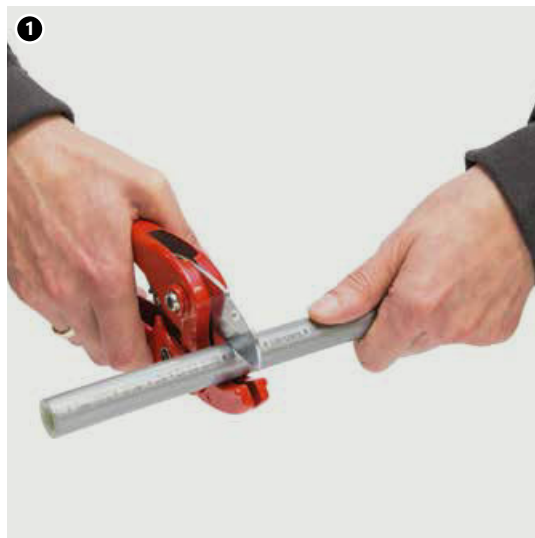
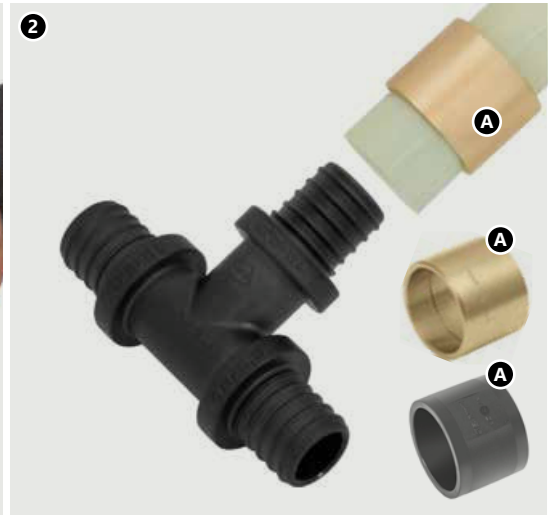
Assembly of Push joints

1. Cut the PE-X, PE-RT or PE-Xc/Al/PE-HD Platinum pipe perpendicularly to the axis at a required length, using pipe cutter designed for plastic pipes. Other tools or pipe cutters (also blunt or chipped pipe cutters) are not acceptable.

2. Slide the sleeve onto the pipe with the chamfered end facing the fitting.

If plastic sleeves are used, the side of the sleeve is not important.

Caution! For connections with Platinum pipes, use only plastic sleeves!



3. Insert the expanding head fixed on the expander axially into the pipe as far as it will go (full insertion).

Expand the pipe with the manual or battery-powered expander.

In case of expanding heads with **8 segments „ONE STEP”** - the expansion should be performed in single step, expanding the pipe in the full range of the expander.

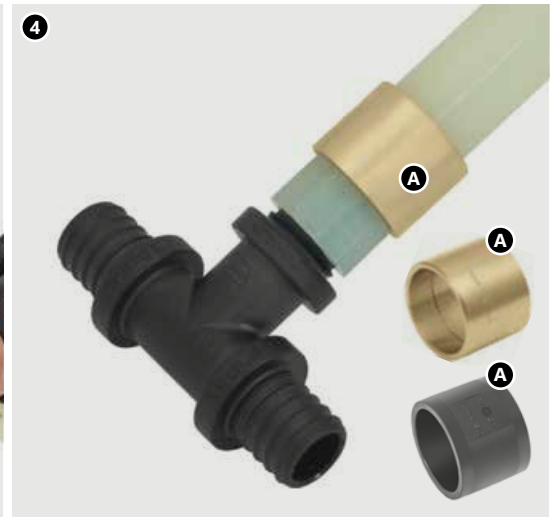
In case of expanding heads with **6 segments „THREE STEPS”** - the expansion should be performed in three stages:

I – incomplete expansion, expander rotation by 30°;

II – incomplete expansion, expander rotation by 15°;

III – full pipe expansion.

4. Directly (!) after expanding, slide the fitting into the pipe, up to the last notch on the stub of the fitting (do not push the pipe up to the collar of the fitting). Do not apply lubricants.



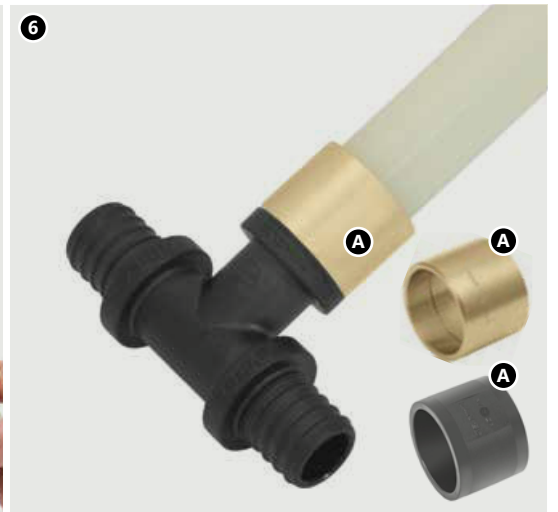
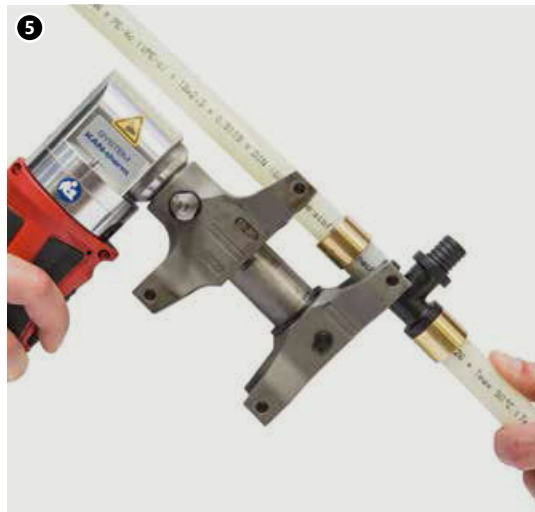
If the pipe is flared excessively, the pipe material may build up during the connection process. In this case, stop sliding the sleeve on the pipe in front of the support flange (keep a distance of approx. up to 2 mm from the fitting flange).

5. Slide the sleeve using a manual, hydraulic press with pedal drive or with battery-powered press.

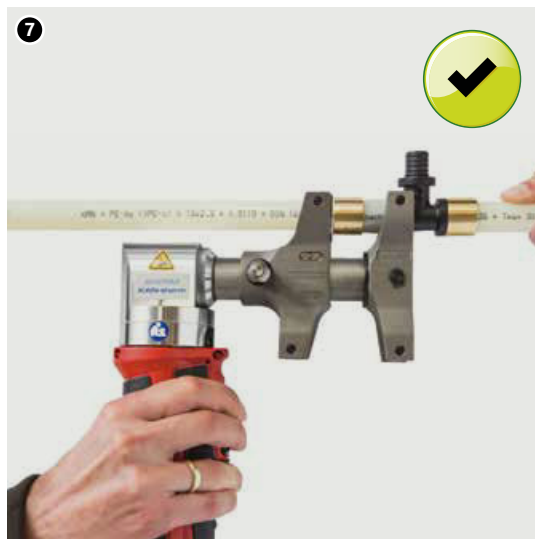
Grab fittings only by their collars.

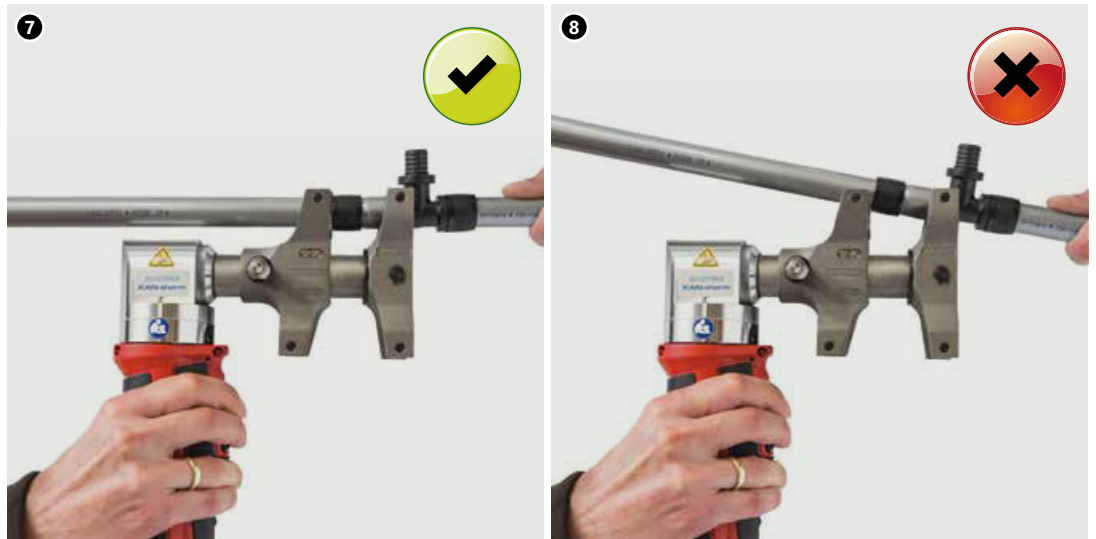
Do not slide two sleeves at the same time.

6. While sliding the sleeve onto the fitting, observe the assembly process – after sliding the sleeve up to the collar of the fitting, stop the process. The joint is ready for a pressure test.



7. and 8. Pay attention to the correct position of the fittings in the fork head of the tool. Failure to comply with this rule may result in overloading of the connection components.





Caution:

When making connections in the Push/Push Platinum system, pay special attention to the correct position of the tool heads. Always attach the forks with the inserts to the full depth and at straight angle to the connection being made. Do not move the press tool from side to side while making connections.

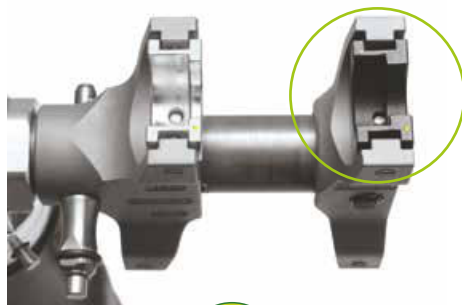
Assembly of PPSU fittings

To mount Ø12, 14, 18, 25 mm fittings made of PPSU, use only black inserts marked with the letter T, at the side of the fitting, and common nickel-plated inserts at the side of the sleeve (brass or PVDF).

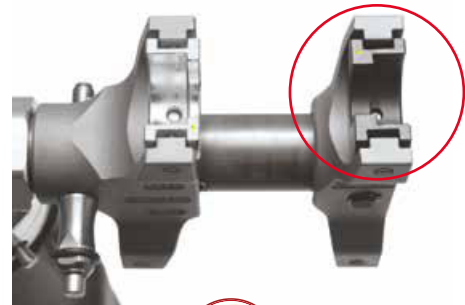
Plastic fitting should be supported by a collar, at which the sleeve is slid. Do not execute joints with two sleeves at the same time!

Notice!

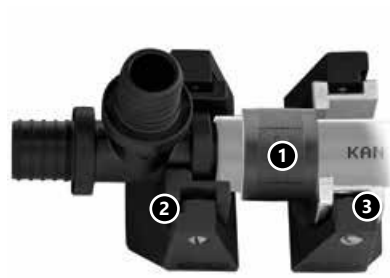
In order to properly assemble the KAN-therm Push/Push Platinum system fittings with the use of a Novopress battery press tool, it is important to properly install the inserts in the forks.



The correct way of assembling the inserts in the forks of the tool
 - inserts oriented in one direction
 Diameter range 12 to 18 mm



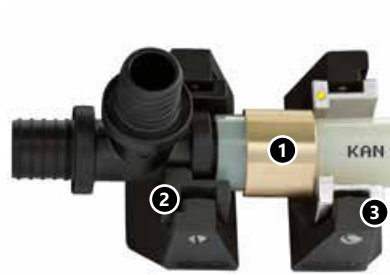
Incorrect way of assembling the inserts in the forks of the tool
 - inserts positioned in the opposite direction
 Diameter range 12 to 18 mm



black insert



nickel-plated insert



black insert



PVDF sleeve



nickel-plated insert



— When assembling a Ø32 mm PPSU fitting, use a common nickel-plated Ø25 mm insert at the side of the fitting, and bare press fork (without insert) at the side of the sleeve.



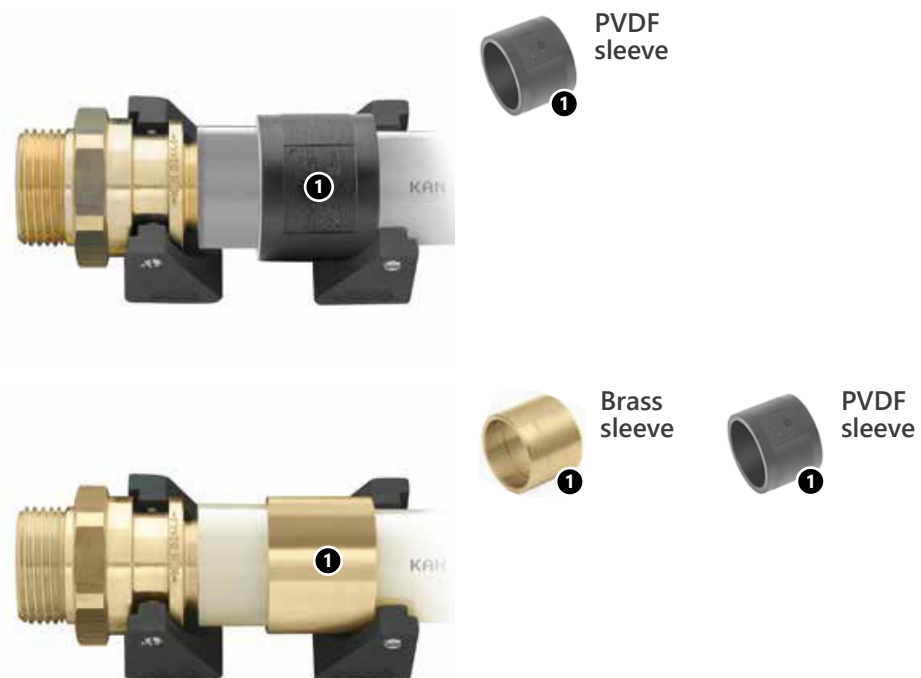
Assembly of brass fittings

Assembly of brass elements is performed using nickel-plated inserts (with the exception of 32 mm diameters):

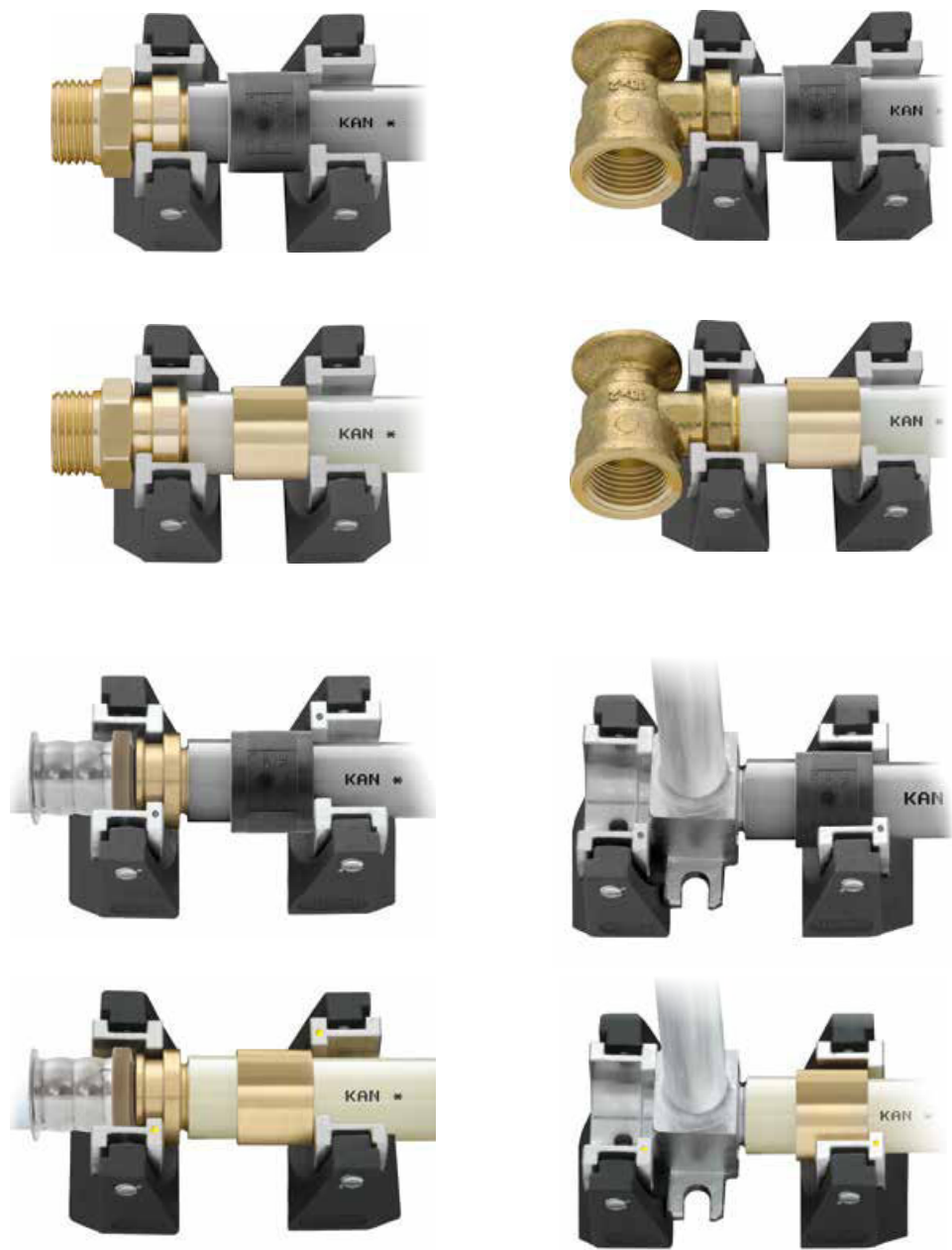
- for joints, tees couplings and elbows $\varnothing 12, 14, 18, 25$ mm apply common nickel-plated inserts.



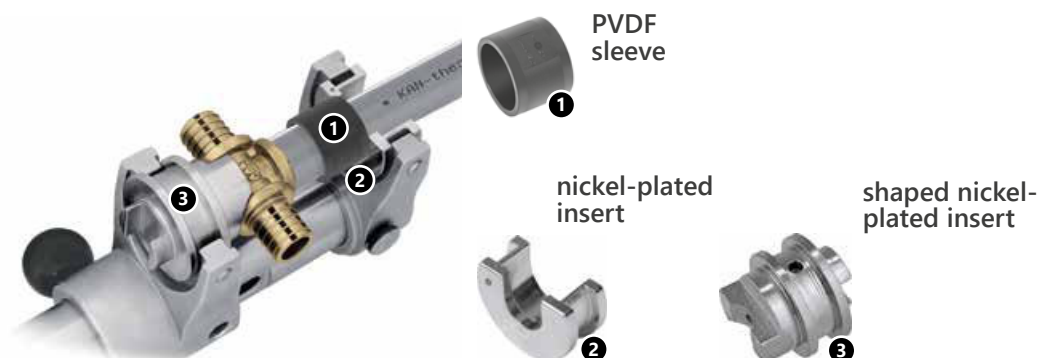
- for brass joints $\varnothing 32$ mm apply bare forks, without inserts,

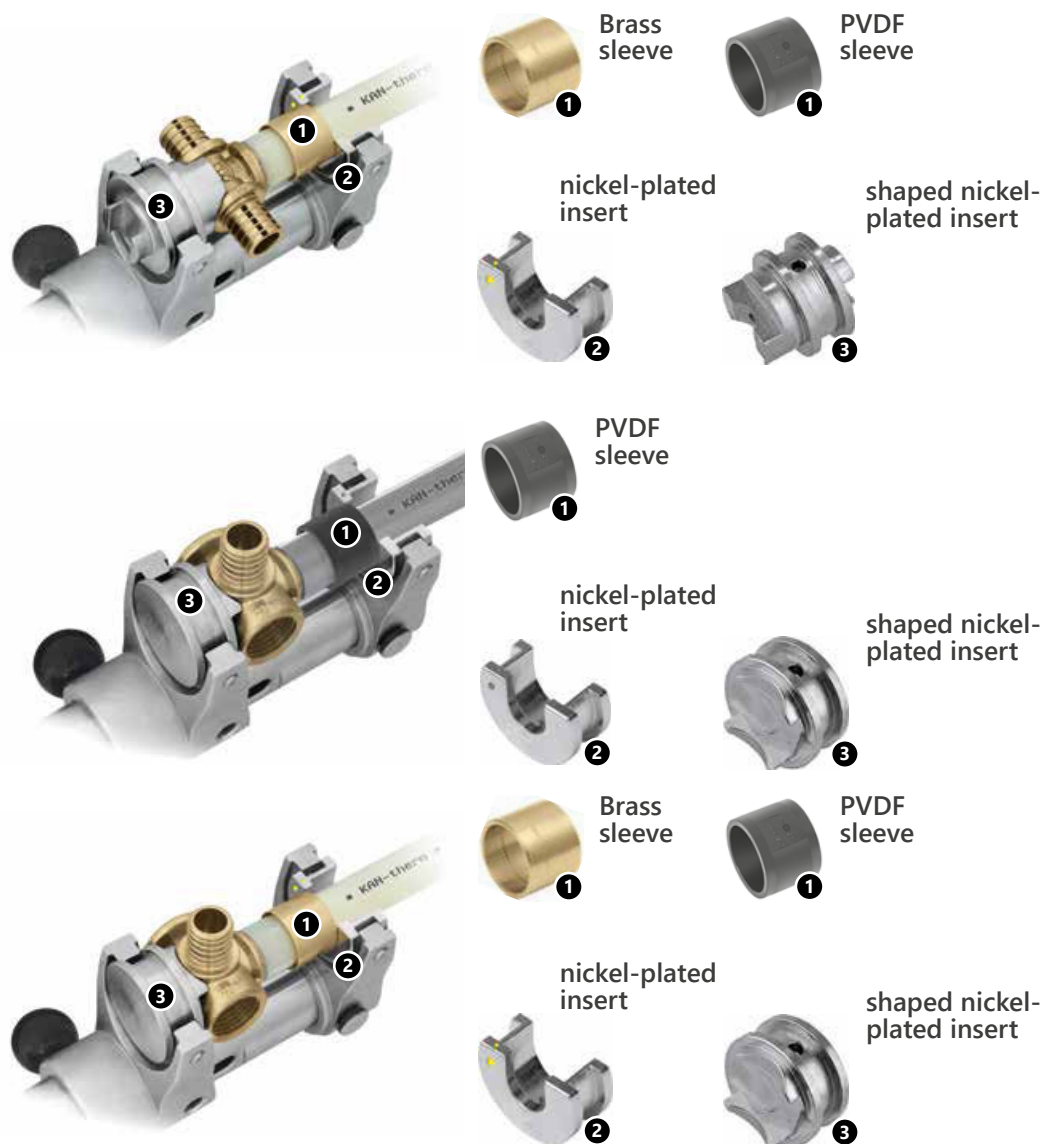


- assembly of other brass elements (threaded fittings, tap connections with the exception of angle connections) and connections to radiators may be executed with the use of common nickel-plated inserts,



- for short body brass tees (outlet nozzle) 14, 18, 25 mm use shaped nickel-plated inserts. At the side of the sleeve, apply standard nickel-plated inserts.





Notice

Tool sets do not include shaped inserts. Shaped inserts fit only hydraulic press with pedal drive.

If there is a need to disassemble an installation fragment (badly-executed joint, modernization), there is a possibility of recovering a disassembled fitting (only the brass one). The fitting must be cut out of the installation with fragments of pipes connected to it. Then the joint needs to be warmed with a blow of hot air. After examining the technical condition of the fitting, it may be reused.

KAN-therm PE-RT, PE-X and KAN-therm PE-Xc/Al/PE-HD Platinum pipes may be bent with maintaining a radius not smaller than $5 \times D_e$ (outer dimensions). In the case of Platinum pipes and the use of a bending spring, the radius may be decreased to $3,5 \times D_e$. The first bend may be executed at a distance from the nearest joint at least $10 \times D_e$.

Threaded joints (couplings)

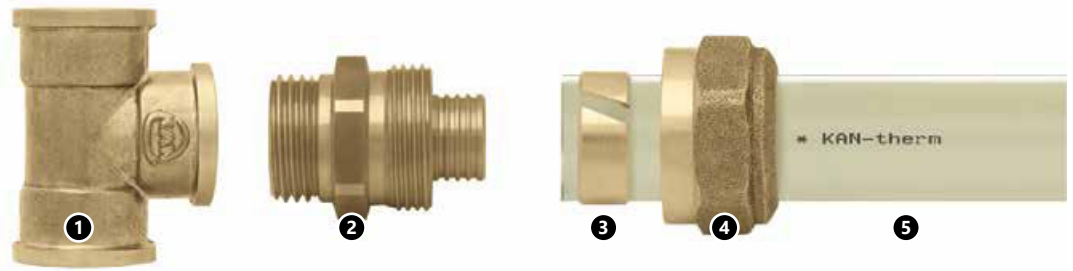
Joints in connections of this type are made of brass. A joint consists of a joint body with a stub, which a pipe ending is mounted on, a brass diagonally cut ring and a threaded clamping nut.

Such joints are compatible with brass KAN-therm fittings with female threads, such as elbows, tees, tap connections, manifolds without nipples (without fixtures), as well as fixtures with female threads.

Elements of a threaded joint for PE-RT and PE-X pipes.

1. Fitting – e.g. tee with female thread.
2. Joint body with male thread.
3. Diagonally cut ring.
4. Clamping nut.
5. PE-RT or PE-X pipe.

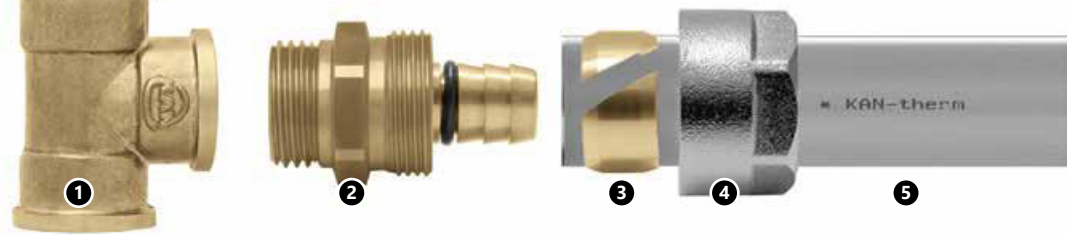
Notice: Threaded joints for PE-RT/PE-X and Platinum pipes are not interchangeable.



Elements of a threaded joint for Platinum pipes.

1. Fitting – e.g. tee with female thread.
2. Joint body with male thread (with an O-Ring)
3. Diagonally cut ring.
4. Clamping nut.
5. PE-Xc/Al/PE-HD Platinum pipe.

Notice: Threaded joints for PE-RT/PE-X and Platinum pipes are not interchangeable.



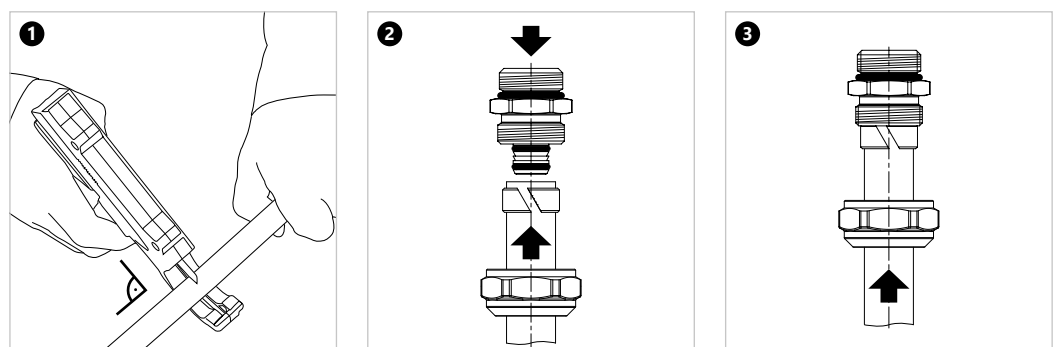
Joints and fixtures with female threads compatible with threaded joints.

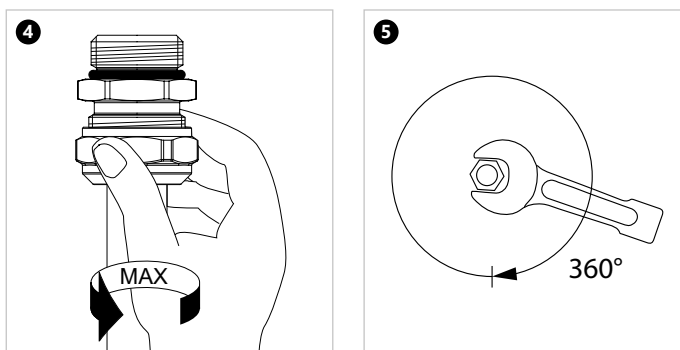


Joins are to be executed in the following order:

- 1 **Screw the body of the joint into the fitting (fixture), sealing the thread with tow or tape,**
- 2 **Insert the clamping nut onto the pipe, and then mount a ring on the ending of the pipe, whereas the edge of the ring should be located 0,5 to 1,0 mm away from the edge of the pipe,**
- 3 **Slide the pipe onto the stub of the fitting until it stops (do not apply any lubricants, do not twist the fitting),**
- 4 **Screw the clamping nut on the ring.**

Such joint may be disassembled, provided that, after sliding the stub of the fitting out of the pipe, you must cut off the ending of the pipe and execute a new joint afterwards.





Union adapters

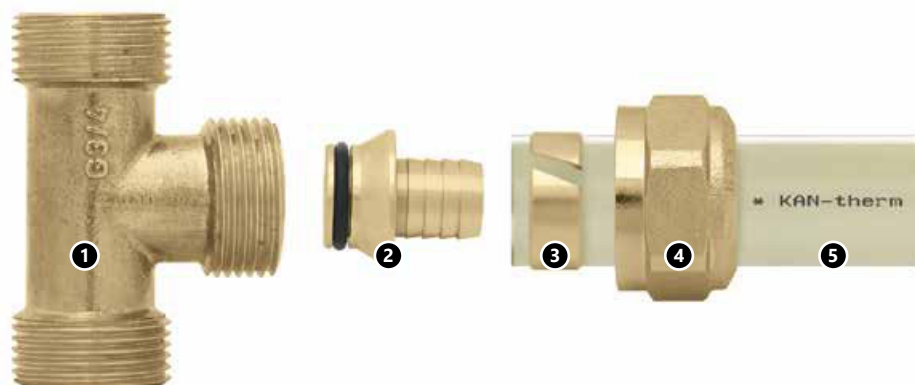
It is a variation of threaded joints, in which the basic element is a cone ended stub with O-Ring sealing. Such joint does not require any additional sealants. The joint may be disassembled, provided that the pipe mounted on the stub is not removed.

There are two types of joints available:

1 – for PE-RT and PE-X pipes; 2 – for multilayer Platinum pipes.

Elements of a union adapter

1. Fitting – e.g. tee with male thread.
2. Union adapter body (with a black O-Ring)
3. Diagonally cut ring.
4. Clamping nut.
5. PE-RT or PE-X pipe.



Caution! Union adapters for uniform PE-RT and PE-X pipes and union adapters for Platinum pipes are not interchangeable!

Elements of a Platinum union adapter

1. Fitting – e.g. tee with male thread.
2. Union adapter body.
3. Diagonally cut ring.
4. Clamping nut.
5. PE-Xc/Al/PE-HD Platinum pipe.



Caution! Union adapters for uniform PE-RT and PE-X pipes and union adapters for Platinum pipes are not interchangeable!

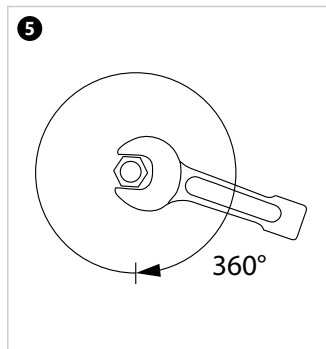
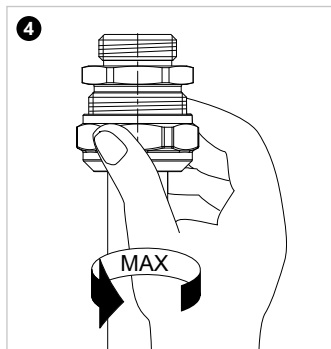
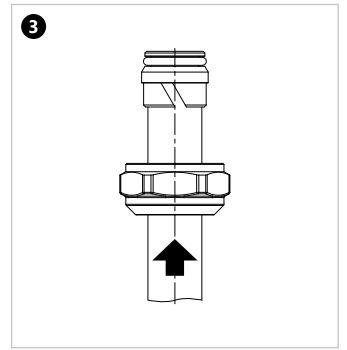
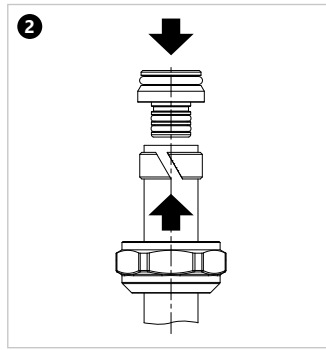
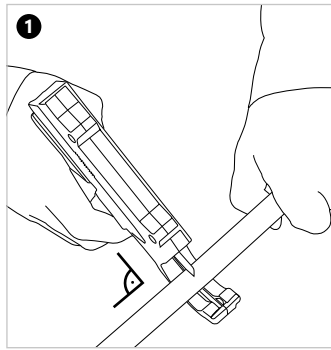
Union adapters are compatible with:

- KAN-therm series of fittings with male threads,
- KAN-therm manifolds equipped with special 3/4" nipples,
- combined radiator valves.

Fittings and fixtures with male threads compatible with union adapters.

Notice!

Do not execute threaded joints inside flooring. They must be located in easily accessible places



2.5 Transport and storage

The elements of System KAN-therm Push/Push Platinum can be stored in temperatures below 0 °C. If that is a case, secure them against dynamic loads.

They should be protected against mechanical damage during transport. Due to the sensitivity to ultraviolet rays, the pipes should be protected against direct long-term exposure to sunlight, both during storage, transport and assembly. System KAN-therm Push/Push Platinum elements should be transported by covered means of transport and stored in standard storage facilities in conditions which do not cause deterioration of their quality.

- Do not store in the immediate vicinity of chemicals and sources of ammonia (toilets),
- Do not expose to sunlight (protect from heat and UV radiation),
- Avoid storing near strong heat sources,
- During storage and transport, no contact with sharp objects is allowed,
- Avoid surfaces with sharp edges or loose sharp elements on their surface,
- Do not drag directly on the ground or concrete surface,
- Protect against dirt, mortar, oils, greases, paints, solvents, moisture chemicals, etc.,
- Store and transport in original packaging,
- Remove elements from their original packaging immediately before assembly.



Detailed information about storage and transport of components can be found at www.kan-therm.com.



Install your **future**



SYSTEM **KAN-therm**

Press

Innovativeness and uniqueness
- One system, six functions

Ø 16-63 mm

Table of contents

3 KAN-therm Press

3.1	General information	75
3.2	Pipes in the KAN-therm Press	76
	Multilayer pipes	76
	Marking of PE-RT and PE-RT/Al/PE-RT pipes	78
	PE-Xc and PE-RT pipes with anti-diffusion coating	79
	Scope of use	81
3.3	Joints in multilayer KAN-therm pipe installations	82
	Press joints	82
	Structure and features of KAN-therm Press LBP fittings	83
	Identification of KAN-therm Press LBP fittings	84
	Features of KAN-therm Press joints	84
	KAN-therm pressed fittings – assortment	85
	KAN-therm Press LBP Fittings (diameters 16–40 mm)	85
	KAN-therm Press Fittings (diameters 50–63 mm)	87
	Contact with chemicals, adhesives and sealants	87
	Execution of Press joints with pressed sleeves	88
	Tools	88
	Assembly of KAN-therm Press LBP fittings with diameters: 16, 20, 25, 26, 32 and 40 mm	91
	Assembly of KAN-therm Press fittings with diameters 50 and 63 mm	92
	Minimum assembly distances	93
	Threaded joints for multilayer pipes	93
	Threaded fittings (inlet connections)	93
	Union adapters	94
3.4	Transport and storage	96

3 KAN-therm Press

3.1 General information

KAN-therm Press is a state-of-the-art, complete installation system consisting of multi-layer polyethylene pipes and uniform PE-Xc and PE-RT pipes with anti-diffusion coating, as well as PPSU or brass fittings of Ø16–63 mm.

The Press technique for connecting pipes is based on pressing a stainless steel sleeve on a pipe mounted on a stub of a fitting or coupling. The stub is equipped with O-Rings ensuring complete tightness of the joint and reliable operation of the installation.

The system is designed for indoor water supply installations (cold and hot tap water), central heating installations, cooling installations, technological heating installations and industrial installations (compressed air).

KAN-therm Press is characterized by:

- high operating parameters (max. working temperature of 90 °C, permissible failure temperature – 100 °C),
- very low thermal elongation of multilayer pipes,
- complete lack of oxygen diffusion to installation water,
- guaranteed durability for over 50 years,
- universal pipe applications (one pipe for combined water supply and heating installations),
- resistance to pressure shock,
- high smoothness of internal surfaces,
- resistance to scaling,
- physiological and microbiological neutrality in potable water installations,
- environmentally friendly materials,
- easy and quick installation,
- easy and quick assembly (in the case of LBP fittings, pipe endings do not need chamfering or calibration),
- low installation weight,
- possibility of executing joints in structural partitions,
- feature of signaling accidentally badly-pressed LBP fittings,
- universal application – possibility of using multilayer pipes and PE-X and PE-RT pipes interchangeably.



3.2 Pipes in the KAN-therm Press

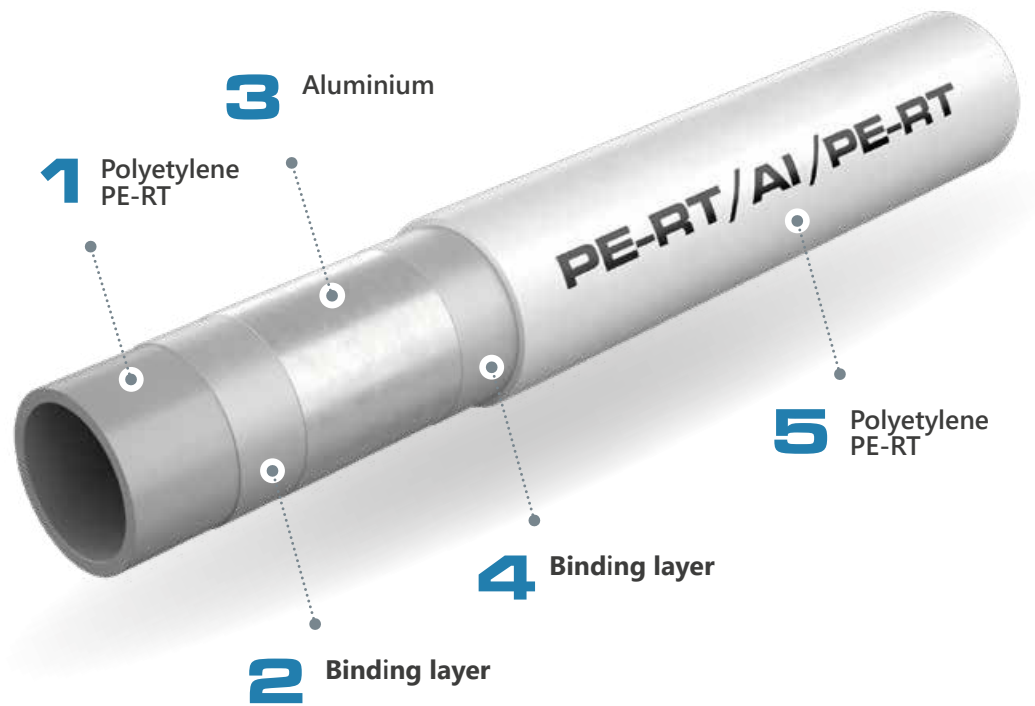
Multilayer pipes

Multilayer pipes in System KAN-therm Press are offered in PE-RT/Al/PE-RT construction (diameter range of Ø16–63 mm).

Multilayer pipes consist of the following layers: internal layer (base pipe) made of polyethylene of increased thermal resistance PE-RT, ultrasound butt-welded middle layer aluminum tape, and the external layer (shielding) made of polyethylene (PE-RT). An adhesive binding layer is applied between the aluminum and plastic layers. KAN-therm Press pipes of all diameters are offered in one pressure type (Multi Universal).

The aluminum layer serves as a anti-diffusion barrier and lowers the thermal pipe elongation index 8 times, as compared to uniform polyethylene pipes. Thanks to the butt welding of Al tape, pipes have perfect circular cross-section.

Cross-section of a multilayer KAN-therm pipe



Physical properties of multilayer pipes

Property	Symbol	Unit	Value
Linear elongation coefficient	α	mm/m × K	0,023 – 0,025
Thermal conductivity	λ	W/m × K	0,43
Minimal bending radius	R_{min}		5 × De - without tools 3,5 × De - while utilizing bending tools
Internal wall roughness	k	mm	0,007

Multilayer KAN-therm Press pipes



Marking of PE-RT and PE-RT/Al/PE-RT pipes

All pipes are marked with permanent descriptions with a 1-m span, containing i. a. the following indications:

Marking description	Example of marking
Name of manufacturer and/or trademark:	KAN, Multi Universal, KAN-therm
Nominal external diameter x wall thickness	16 x 2
Pipe structure (material)	PE-RT/Al/PE-RT
Pipe code	1029196031
Number of standard or Technical Certificate	KIWA KOMO, DVGW
Application class/es with design pressure	Class 2/10 bar, Class 5/10 bar
Date of production	18.08.09
Other manufacturer markings, e.g. running meter, batch number	045 m



Notice – other, additional markings, e.g. numbers of certificates may also be inscribed on the pipe.

Pipe color: white.

Depending on pipe diameter, pipes are supplied in 25, 50, 100, 200, 600-m coils (scope 16–40 mm) in cardboard boxes. Pipes in diameters 16–63 mm are also offered in 5 m bars.

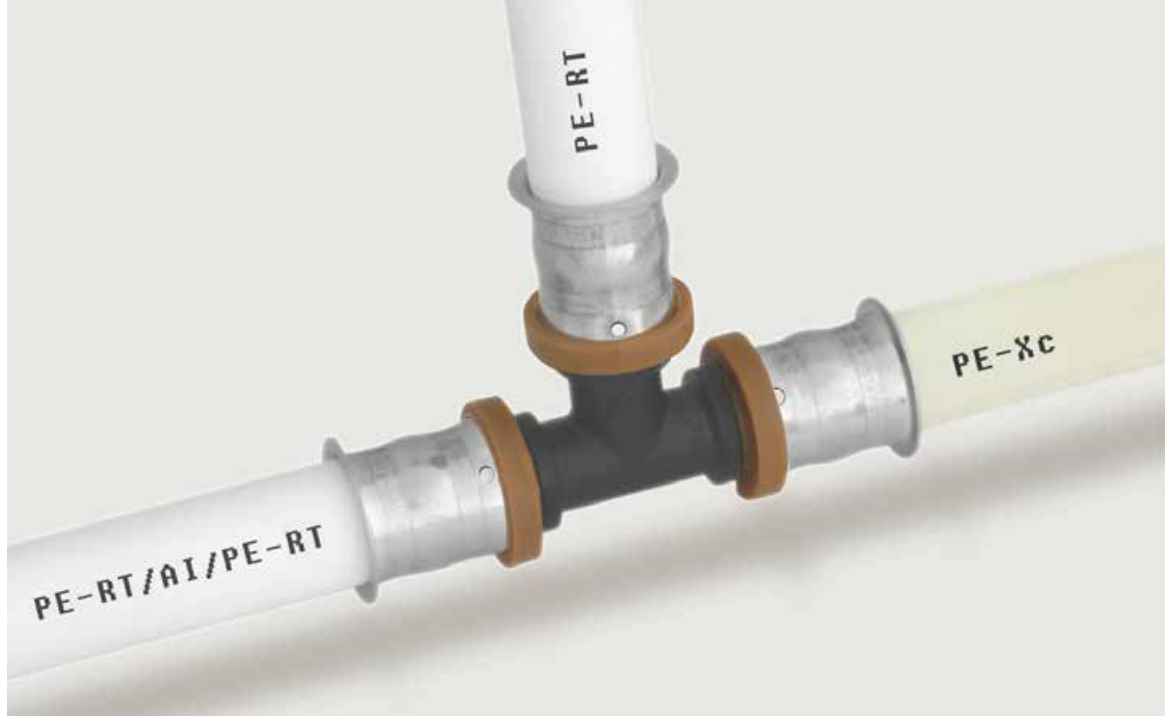
Dimension parameters of KAN-therm multilayer pipes

DN	External diameter × wall thickness	Wall thickness	Internal diameter	Weight by unit	Number in roll/bar	Water capacity
	mm × mm	mm	mm	kg/m	m	l/m
PE-RT/Al/PE-RT Multi Universal						
16	16 × 2,0	2,0	12	0,129	200- 600 / -	0,113
20	20 × 2,0	2,0	16	0,152	100 / 5	0,201
25	25 × 2,5	2,5	20	0,239	50 / 5	0,314
26	26 × 3,0	3,0	20	0,296	50 / -	0,314
32	32 × 3,0	3,0	26	0,365	50 / 5	0,531
40	40 × 3,5	3,5	33	0,510	25 / 5	0,855
50	50 × 4,0	4,0	42	0,885	- / 5	1,385
63	63 × 4,5	4,5	54	1,265	- / 5	2,290

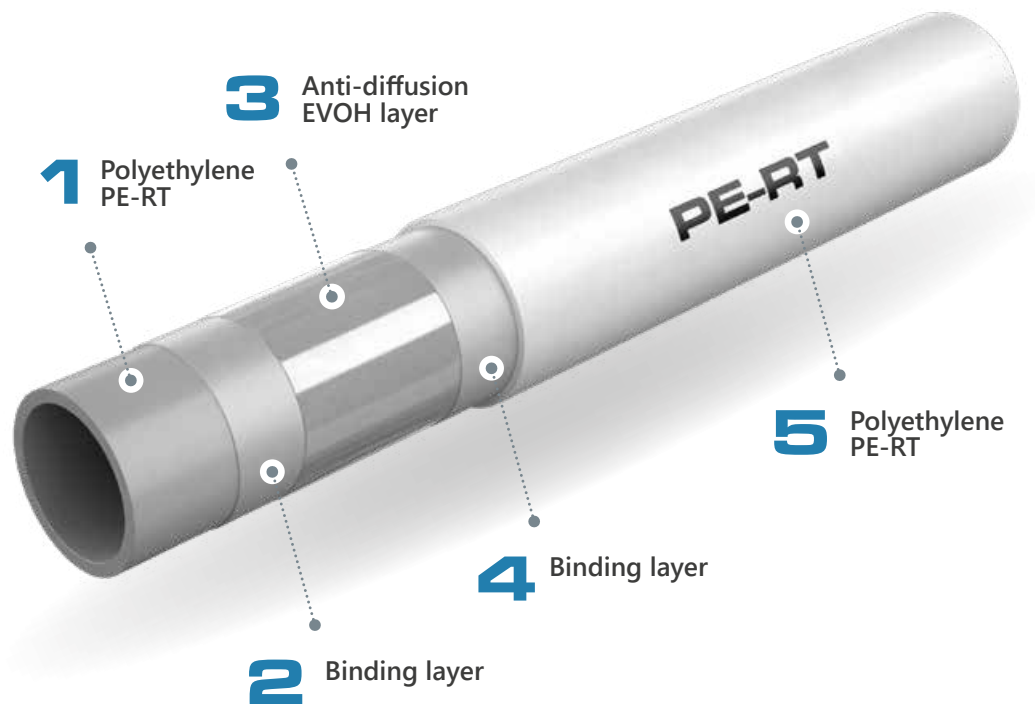
PE-Xc and PE-RT pipes with anti-diffusion coating

The structure of KAN-therm Press LBP fittings allows for executing joints with the use of both multilayer PE-RT/Al/PE-RT pipes and uniform PE-Xc and PE-RT pipes with anti-diffusion barrier. PE-Xc and PE-RT pipes may be used in heating installations (application class 4 and 5 according to ISO 10508).

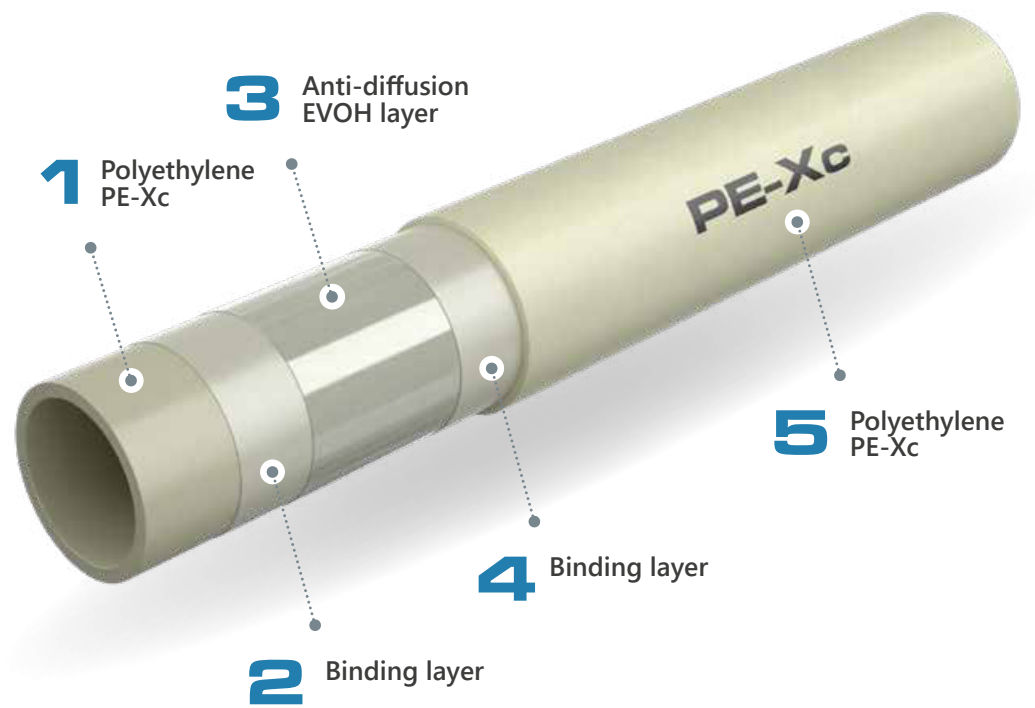
KAN-therm Press LBP fittings are universal – may be used to connect multilayer pipes and PE-Xc and PE-RT pipes



Cross-section of PE-RT pipe with anti-diffusion coating



Cross-section of PE-Xc pipe with anti-diffusion coating



Dimension parameters of KAN-therm PE-Xc and PE-RT pipes

DN	External diameter x wall thick- ness	Wall thickness	Internal diameter	Size S series	Weight by unit	Number in roll	Water capacity
	mm x mm	mm	mm		kg/m	m	l/m
KAN-therm PE-Xc pipes							
16	16 x 2,0	2,0	12,0	3,50	0,094	200	0,113
20	20 x 2,0	2,0	16,0	4,50	0,117	200	0,201
KAN-therm PE-RT pipes							
16	16 x 2,0	2,0	12,0	3,50	0,094	200	0,113
20	20 x 2,0	2,0	16,0	4,50	0,117	200	0,201

Scope of use

KAN-therm Press pipes and fittings are in full compliance with all applicable standards, which guarantees their long-term and reliable operation as well as full security of assembly and use of the installation.

- **PPSU and brass Press joints utilizing pressed rings and threaded brass fittings:** compliance with PN-EN ISO 21003-3:2009, approved for use by the National Institute of Hygiene,
- **PE-RT/Al/PE-RT pipes:** compliance with PN-EN ISO 21003-2:2009, approved for use by the National Institute of Hygiene,
- **PE-Xc pipes:** compliance with PN-EN ISO 15875-2:2004, approved for use by the National Institute of Hygiene,
- **PE-RT pipes:** compliance with PN-EN ISO 21003-2, approved for use by the National Institute of Hygiene.

The working parameters and scopes of use of multilayer KAN-therm pipe (PE-RT/Al/PE-RT) installations are presented in the table.

Application (acc. to ISO 10508)	T_{op}/T_{max} [°C]	Dimensions [mm]	Operating pressure P_{op} [bar] PE-RT/Al/PE-RT	Connection type	
				Press	Threaded
				PE-RT/Al/PE-RT	PE-RT/Al/PE-RT
Cold tap water Hot tap water [Application class 1(2)]	60(70)/80	14 × 2,0	10	+	+
		16 × 2,0		+	+
		20 × 2,0		+	+
		25 × 2,5		+	+
		26 × 3,0		+	+
		32 × 3,0		+	-
		40 × 3,5		+	-
		50 × 4,0		+	-
Radiant heating, low-temperature radiator heating [Application class 4]	60/70	63 × 4,5	10	+	-
		14 × 2,0		+	+
		16 × 2,0		+	+
		20 × 2,0		+	+
		25 × 2,5		+	+
		26 × 3,0		+	+
		32 × 3,0		+	-
		40 × 3,5		+	-
Radiator heating [Application class 5]	80/90	50 × 4,0	10	+	-
		63 × 4,5		+	-
		14 × 2,0		+	+
		16 × 2,0		+	+
		20 × 2,0		+	+
		25 × 2,5		+	+
		26 × 3,0		+	+
		32 × 3,0		+	-
40 × 3,5	+	-			
50 × 4,0	+	-			
63 × 4,5	+	-			

For all classes and diameters, failure temperature $T_{mal} = 100$ °C

Application class			Operating pressure P _{op} [bar]		Connection type	
	T _{op} /T _{max}	Dimensions	PE-Xc	PE-RT	Press	Threaded
	[°C]	[mm]			PE-Xc, PE-RT	PE-Xc, PE-RT
Cold tap water	20	16 × 2,0	10	10	+	+
		20 × 2,0	10	10	+	+
Hot tap water [Application class 1]	60/80	16 × 2,0	10	10	+	+
		20 × 2,0	6	8	+	+
Hot tap water [Application class 2]	70/80	16 × 2,0	10	8	+	+
		20 × 2,0	6	8	+	+
Underfloor heating, Low temperature heating, radiant heating [Application class 4]	60/70	16 × 2,0	10	8	+	+
		20 × 2,0	8	8	+	+
Radiator heating [Application class 5]	80/90	16 × 2,0	8	8	+	+
		20 × 2,0	6	6	+	+

Operating pressure calculated according to the standards: PN-EN ISO 15875-2:2004 for PE-Xc pipes and PN-EN ISO 21003-2:2009 for PE-RT pipes.

3.3 Joints in multilayer KAN-therm pipe installations

The basic method of connecting pipes in the KAN-therm Press is using the “press” technique utilizing a radially pressed stainless steel sleeve. Threaded joints may also be used to connect pipes to devices and fixtures.

Press joints

The execution of press joints is based on radially pressing stainless steel sleeve located on the stub of a fitting. The stub is equipped with O-Ring sealing made of synthetic EPDM rubber, resistant to high temperatures and pressure. The sleeve is pressed with a manual or electric press tool equipped, depending on the diameter of the pipe, with “U”, “C”, or “TH” profile jaws (standard pressing).

Such a connection allows conducting the installation in structural partitions (in flooring finishing coats and under layers of plaster).

KAN-therm Press and new generation KAN-therm Press LBP fittings. They differ in terms of outer appearance, methods of assembly and some functions:

- KAN-therm Press LBP fittings (with colored spacers) – diameters 16, 20, 25, 26, 32 and 40 mm,
- KAN-therm Press fittings (without colored spacers) – diameters 50 and 63 mm.

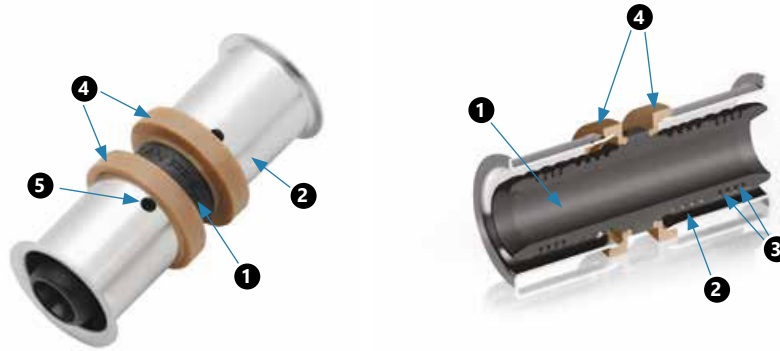
Structure and features of KAN-therm Press LBP fittings

Thanks to their special structure, KAN-therm Press LBP fittings are characterized by:

- a function of signaling ill-pressed LBP joint,
- possibility of using "U" or "TH" profile jaws interchangeably,
- elimination of need to chamfer the edge of the pipe,
- precise jaws positioning on the ring,
- colorful, plastic identification rings.

View and cross-section of a KAN-therm Press LBP fitting

1. Coupling body
2. Pressed stainless steel sleeve with inspection holes
3. EPDM O-Rings
4. Color plastic spacer
5. Inspection holes in the stainless steel sleeve



LBP – „Leak Before Press” – an badly-executed joints are signaled by a water leak at the stage of preliminary non-pressurized installation filling, before the pressure test. This function complies with DVGW guidelines (“controlled leak”).



Notice:

According to DVGW guidelines, the LBP function can be seen as controlled leakage at a pressure of:

- in compressed air installations from 1,0 to 3,0 bar,
- in installations filled with water from 1,0 to 6,5 bar.

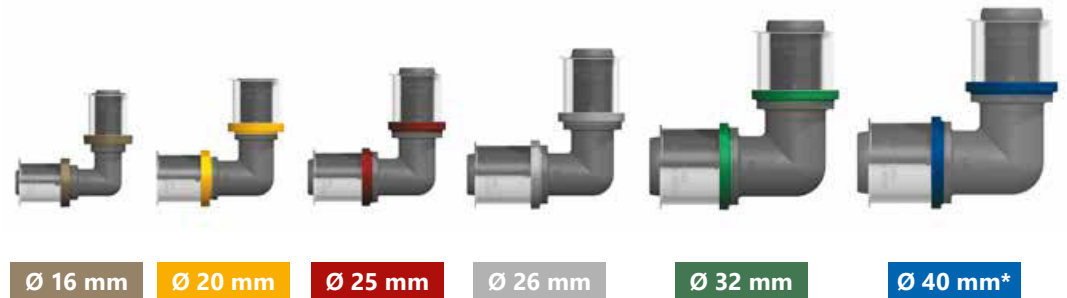
LBP function in action
– leak before press



Identification of KAN-therm Press LBP fittings

Each KAN-therm Press LBP fitting is equipped with a special plastic ring, the color of which depends on the diameter of the pipe being connected. This solution facilitates the identification of the fitting and, in consequence, installation works at the construction site and in the warehouse. Irrespective of the color identification, each stub has a marking stating the diameters of pipes to be connected.

The dimensions of pipes (external diameter × wall thickness) are also inscribed on the stainless steel sleeve.



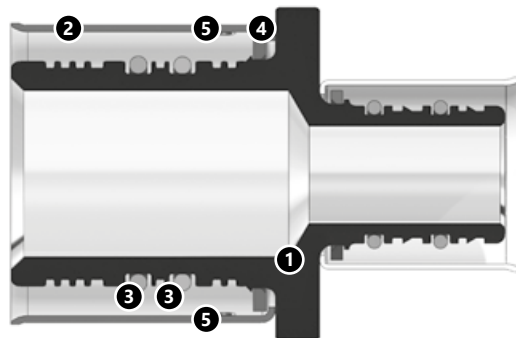
*40 mm fittings do not possess LBP function itself

Features of KAN-therm Press joints

All fittings of nominal diameter – 50 and 63 mm (including 50 and 63 mm stubs of reduction joints) have traditional structure and are marked as KAN-therm Press fittings. They are distinguished by the lack of a colored plastic ring, the lack of LBP function and a slightly different method of assembly in terms of pipe ending treatment and positioning of jaws (presented in the following part of the Guide).

View and cross-section of KAN-therm Press joint

1. Coupling body
2. Pressed stainless steel sleeve
3. EPDM O-Rings
4. Rings positioning the stainless steel sleeve on the body
5. Inspection holes in the sleeve



KAN-therm pressed fittings – assortment

The KAN-therm system offers a wide selection of radially pressed fittings:

- elbows and tees, couplings,
- elbows, tees and other fittings with 15 mm nickel-plated pipes for connecting to radiators and fixtures,
- fittings with male and female threads, and union adapters,
- tap connections,
- transition couplings.

KAN-therm Press fittings are offered in two structural variations:

KAN-therm Press LBP Fittings (diameters 16–40 mm)

KAN-therm Press LBP radially pressed fittings



KAN-therm Press LBP pressed fittings with 15 mm pipes for connecting to radiators*



KAN-therm Press LBP pressed fittings with threads and union adapters*



KAN-therm Press LBP pressed fittings – tap connections*



i *The application of KAN-therm Press System fittings for connecting radiators and water supply taps is described in the chapter titled "Connections of water supply and heating installation devices in the KAN-therm System".

KAN-therm Press LBP pressed couplings – transition fittings



KAN-therm Press Fittings (diameters 50–63 mm)

KAN-therm Press fittings



Threaded KAN-therm Press fittings



i The application of KAN-therm Press System fittings for connecting radiators and water supply taps is described in the chapter titled “Connections of water supply and heating installation devices in the KAN-therm System”.

KAN-therm Press fittings are made of Polyphenylsulfone (PPSU), a reliable structural material, or high quality CW617N brass. PPSU is used to manufacture elbows, tees and tap connections. The properties and advantages of PPSU are discussed in the chapter KAN-therm Push System. PPSU – perfect installation material.

Contact with chemicals, adhesives and sealants



- Secure the plastic (PPSU) elements of System KAN-therm against contact with paints, primers, solvents or materials containing solvents, e.g. varnish, aerosols, fitting foams, adhesives, etc. In unfavorable circumstances, these substances could potentially damage the plastic components of pipes.
- Make sure that substances sealing the joints, cleaning solutions or solutions used to insulate KAN-therm System components do not contain any compounds which could cause tension fractures. These include ammonia, solutions containing ammonia, aromatic solvents and compounds retaining oxygen (e.g. ketone or ether) or chlorinated hydrocarbons.
- Do not use fitting foams based on methacrylate, isocyanate and acrylate when in contact with plastic (PPSU) elements of System KAN-therm. Avoid direct contact of plastic (PPSU) fittings and pipes with adhesive tapes and adhesives for insulation.
- In threaded fittings, use a proper amount of tow as to leave the ending of the thread bare and visible. Too much tow may disrupt the thread. Winding tow just above the first coil of the thread will prevent the tow from tangling up and the thread from being damaged.



Notice!

Do not use chemical sealants or adhesives.

A setting of KAN-therm Press / Press LBP fittings in terms of available diameters, pressing profiles and pipe preparation methods

Fitting structure	Scope of diameters	Pressing profile	Pipe ending treatment method	
			calibration	edge chamfering
	Color of spacer	16	No	No
		20	No	No
		25	Recommended	No
		26	Recommended	No
		32	Recommended	No
		40*	Yes	Yes
	50	TH	Yes	Yes
	63		Yes	Yes

* 40 mm fittings do not possess LBP function itself

Execution of Press joints with pressed sleeves

Tools

Use only original KAN-therm tools to execute all joints in the KAN-therm Press System or other tools recommended by KAN – see table below.

Size	Manufacturer	Press machine	Jaws/collars	Crimping profile
16–40 mm	Novopress	Comfort – Line ACO 102 Basic – Line AFP 101 Comfort-Line ACO103	16–40 mm PB1 jaws	
16–63 mm	Novopress	Basic-Line EFP203 Comfort-Line ACO203XL Comfort – Line ECO 202 Comfort – Line ACO 202 Basic – Line EFP 202 Basic – Line AFP 202 Basic – Line EFP 2 adapter ZB 201 adapter ZB 203	16–40 mm PB2 jaws 50–63 mm jaws for adapters	Ø 16–40 mm – U, TH profile Ø 50–63 mm – TH profile
16–20 mm	Klauke	MP20	16–20 mm inserts	
16–32 mm	Klauke	i-press mini MAP2L mini MAP1 AHP700LS PKMAP2 HPU32 MP32	16–32 mm mini jaws 16–32 mm jaws for mini inserts 16–32 mm inserts	Ø 16–40 mm – U profile Ø 16–32 mm – TH profile Ø 63 mm – TH profile
16–63 mm	Klauke	i-press medium UAP3L UAP2 UNP2 i-press medium UAP4L HPU2 AHP700LS PKUAP3 PKUAP4	16–40 mm tongs 16–32 mm tongs for inserts 40–63 mm tongs for inserts	Notice: Ø 40–50 TH profile (KSP 11) – non-compatible with the KAN-therm System

Size	Manufacturer	Press machine	Jaws/collars	Crimping profile
16–40 mm	HILTI	NPR 19-A Inline	Jaws and inserts: NPR PM 16–40 [mm]	16–40 mm - U profile; 16–32 mm - TH profile
16–63 mm	HILTI	NPR 32-A Inline	NPR PS 16 - 63 [mm] NPR PR 40 - 63 [mm]	16–40 mm - U profile; 16–32 and 63 mm - TH profile Notice: 40 and 50 mm TH profile is not compatible with KAN-therm Press fittings
16–63 mm	HILTI	NPR 32-A Pistol grip	NPR PS 16 - 63 mm NPR PR 40 - 63 mm	16–40 mm - U profile; 16–32 and 63 mm - TH profile Notice: 40 and 50 mm TH profile is not compatible with KAN-therm Press fittings
16–25, 26 mm	REMS	Eco – Press	16–25, 26 mm tongs	
16–40 mm	REMS	Mini – Press ACC	16–40 mm mini tongs	Ø 16–40 mm – U, TH profile
16–63 mm	REMS	Power – Press E Power – Press 2000 Power – Press ACC Akku – Press Akku – Press ACC	16–63 mm tongs	Ø 50–63 mm – TH profile
16–40 mm	Rothenberger	Standard Romax 4000 Compact Romax AC/Akku Standard Romax 3000 Akku Romax 3000 AC Romax AC ECO	Jaws: „Compact“ 16–40 mm „Standard“ 16–40 mm	Ø16–40 mm – TH profile Ø16–40 mm – TH profile

Tools offered by the KAN company available as single elements or in complete sets.

1. cutter or pipe cutter for multilayer pipes.

①



2. single calibrators (for diameters 16, 20 and 25 (26) mm) and universal calibrators

②



3. manual press tool with exchangeable jaws for diameters 16, 20, 25 (26) mm

③



4. Electric, network presses or battery-powered press tools compatible with exchangeable jaws 16, 20, 25 (26), 32, 40, 50, 63 mm

④



5. Set – manual press tool + jaws.

⑤



6. Set – battery-powered press + jaws.

⑥



7. Battery-powered press
ACO103 for diameters
16–32 mm

7



8. Press jaws PB1

8



9. Electric press EFP203

9



10. PB2 16–40 mm jaws

10



11



11. Snap On 50 and 63 mm collars

12. Battery-powered press
ACO 203XL

12



13. PB2 16–63 mm jaws

13



14



14. ZB203 50 and 63 adapter for
collars



Notice

Depending on the structure of the fitting (KAN-therm Press/KAN-therm Press LBP) and its diameter, the following jaw profiles must be used for pressing:

KAN-therm Press LBP fittings (all diameters):

- „U” or „TH” profile („C” or „TH” for diameter 26 mm).

KAN-therm Press fittings:

- „TH” profile– for diameters: 50 and 63 mm.



U profile



C profile



TH profile



Tools – work safety

Before starting any works, make sure you read the instruction manual and learn the principles of safe work. All tools must be used according to their dedication and the manufacturer’s instruction manual. During the use of tools, one must observe the terms of regular inspections and all applicable safety regulations. Using tools against their designed use may lead to their damage or to the damage of accessories and pipes. It may also lead to the occurrence of leakages in installation joints.

Assembly of KAN-therm Press LBP fittings with diameters: 16, 20, 25, 26, 32 and 40 mm

1. Using a pipe cutter for multilayer pipes or a round pipe cutter, cut the pipe perpendicularly to its axis at the required length.



Notice!

Use only sharp, non-chipped cutting tools.

2. Give the pipe its desired shape.

Bend the pipe using an inner or outer spring. Observe the minimum radius $R > 5 De$ requirement.

When using mechanic pipe benders for diameters 14 – 20 mm, the radius is $R > 3,5 De$.

Execute all bends at a distance of $10 \times De$ from the nearest joint.



In the case of KAN-therm Press LBP fittings, pipe endings do need not to be chamfered, provided that sharp cutting tools are used and that the pipe is mounted using a proper shape fitting. For bigger diameters (25 and more), we suggest the use of a calibrator to allow the pipe to slide easily onto the stub.

3. Slide the pipe into the fitting until it stops – axis mount of the pipe on the stub of the fitting is required.

Check the depth of the fit – the edge of the pipe must be visible in inspection holes.



4. Place the jaws precisely on the stainless steel sleeve between the plastic spacer and the collar of the sleeve, perpendicularly to the axis of the stub (“U” type profile). In the case of the “TH” profile, the jaws are positioned on the plastic spacer (the spacer must be embraced by the external groove of the jaw). In both cases, the structure of the joint makes it impossible for the jaws to slide off in the process of pressing.



5. Start the drive of the press machine and seal the joint. The process of pressing ends when the jaws of the tool completely close on the joint. Fitting may be pressed on a pipe only once.



6. Unlock the jaws and remove the tool from the fitting. The joint is ready for a pressure test.



Notice

Press joints should be executed above ambient temperature of 0 °C. Before starting any works, read the instruction manuals for all tools and learn the principles of safe work.

Assembly of KAN-therm Press fittings with diameters 50 and 63 mm

1. Using a pipe cutter for multilayer pipes or a pipe wheel cutter, cut the pipe perpendicularly to its axis at the required length.

2. Calibrate the pipe and chamfer its inner edge using a calibrator. The aluminum layer should remain intact. The edge of the pipe must not have any chips or splinters.

3. Slide the pipe into the fitting until it stops. Check the depth of the joint – the inspection holes must be completely covered by the pipe.

4. Place the jaws perpendicularly on the stainless steel sleeve so that it adjoins the collar of the fitting. The collar must not be embraced by the jaws.

5. Start the drive of the press machine and seal the joint. The process of pressing ends when the jaws of the tool completely close on the fitting. Fitting may be pressed on a pipe only once.

6. Unlock the jaws and remove the tool from the fitting. The joint is ready for a pressure test.



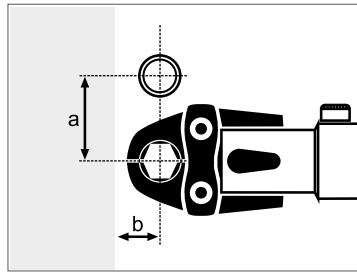
Notice

Press joints should be executed above ambient temperature of 0 °C. Before starting any works, read the instruction manuals for all tools and learn the principles of safe work.

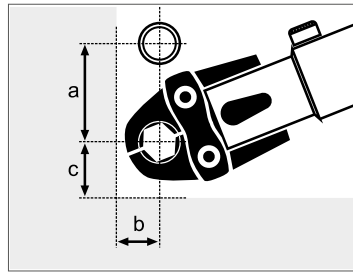
Bending radius of multilayer KAN-therm Press pipes

Pipe diameter [mm]	Minimal bending radius R_{min} [mm]	
	Bending without tools ($R_{min} \geq 5 \times De$)	Bending with shaping tools ($R_{min} \geq 3,5 \times De$)
16 × 2,0	80	56
20 × 2,0	100	70
25 × 2,5	125	88
26 × 3,0	130	91
32 × 3,0	-	112
40 × 3,5	-	140
50 × 4,0	-	175
63 × 4,5	-	221

Minimum assembly distances



Pic. 1



Pic. 2

Ø [mm]	Pic. 1		Pic. 2		
	a [mm]	b [mm]	a [mm]	b [mm]	c [mm]
16	42	16	58	19	31
20	46	18	58	20	34
25 / 26	53	21	62	23	37
32	62	27	67	27	45
40	72	31	77	31	51
50	100	67	100	67	70
63	128	90	128	100	88

Above table gives indication for Rems 2-segment jaws (16-40 mm) and Rems 4-segment jaws (50-63 mm).

Threaded joints for multilayer pipes

Threaded joints for multilayer KAN-therm pipes are executed using two types of fittings:

- “barrel” union adapter (inlet connection),
- union adapter with diagonally cut ring.

Threaded fittings (inlet connections)

Fittings of this type are made of brass. Each fitting consists of a body with a stub equipped with two O-Rings (used for fitting pipe ends) and a sealing cone (Eurokonus type), as well as a threaded nut. Such joints are compatible with KAN-therm brass fittings with male threads, such as elbows, tees, tap connections with specially formed sockets (for sealing cone threads with O-Rings).

Dimensions of nut threads:

- 1/2" - for diameters 14 and 16,
- 3/4" - for diameters 14, 16 and 20,
- 1" - for diameters 20, 25 and 26.

1. Union adapter (inlet connection)

2. Fittings with male threads



1. Using a pipe cutter for multilayer pipes or a round pipe cutter, cut the pipe perpendicularly to its axis at the required length.

2. Give the pipe its desired shape. Bend the pipe using an inner or outer spring. Observe the minimum radius $R > 5 De$ requirement. When using mechanic pipe benders for diameters 14 – 20 mm, the radius is $R > 3,5 De$. Execute all bends at a distance of $10 \times De$ from the nearest joint.

3. Calibrate the pipe and chamfer its inner edge using a calibrator. The aluminum layer should remain intact. The edge of the pipe must not have any chips or splinters.

4. Slide the nut onto the pipe. Slide the stub of the fitting into the pipe until it clearly stops. The depth of the joint is c.a. 9 mm for pipes of 16, 20 mm in diameter and 12 mm for pipes of 25 (26) mm in diameter.

5. Slide the fitting and the pipe into the socket of the male fitting until it clearly stops.

6. Screw the nut on the fitting using a wrench.



! Particular attention should be paid to the precise placement of the fitting in the socket and tightening the nut. When modernizing an installation, it is possible to disassemble the joint (cut off the used pipe ending). There is, however, no possibility of reusing the inlet connection. Do not lay such joints in flooring. They must be located in easily accessible places.

Union adapters

Fittings of this type are made of brass or brass and PPSU. Each fitting consists of a body with a stub equipped with an O-Ring (used for mounting pipe ends), a diagonally cut brass ring and a threaded nut. Such fittings are compatible with KAN-therm brass shape fittings with male threads, such as elbows, tees, tap connections (9012 series) with specially formed sockets.

1. Screwed union adapter with diagonally cut ring for multilayer pipes.
2. Screwed union adapter with diagonally cut ring for PE-RT and PE-Xc pipes.
3. PPSU universal eurocone adapter for KAN-therm pipes.



Mounting the pipe on the stub is performed in an identical way as in the case of the threaded joint (inlet connection) described above. Remember to slide on the diagonally cut ring after applying the nut. Then, remember to move the ring towards the edge of the pipe before screwing in the nut. The diameters of pipes connected and corresponding nut dimensions are: $\text{Ø}16 \text{ G}\frac{1}{2}$ ", $\text{Ø}16 \text{ G}\frac{3}{4}$ ", $\text{Ø}20 \text{ G}\frac{3}{4}$ " (for multilayer pipes) and $\text{Ø}16 \text{ G}\frac{3}{4}$ ", $\text{Ø}20 \text{ G}\frac{3}{4}$ " (for PE-RT and PE-Xc pipes).

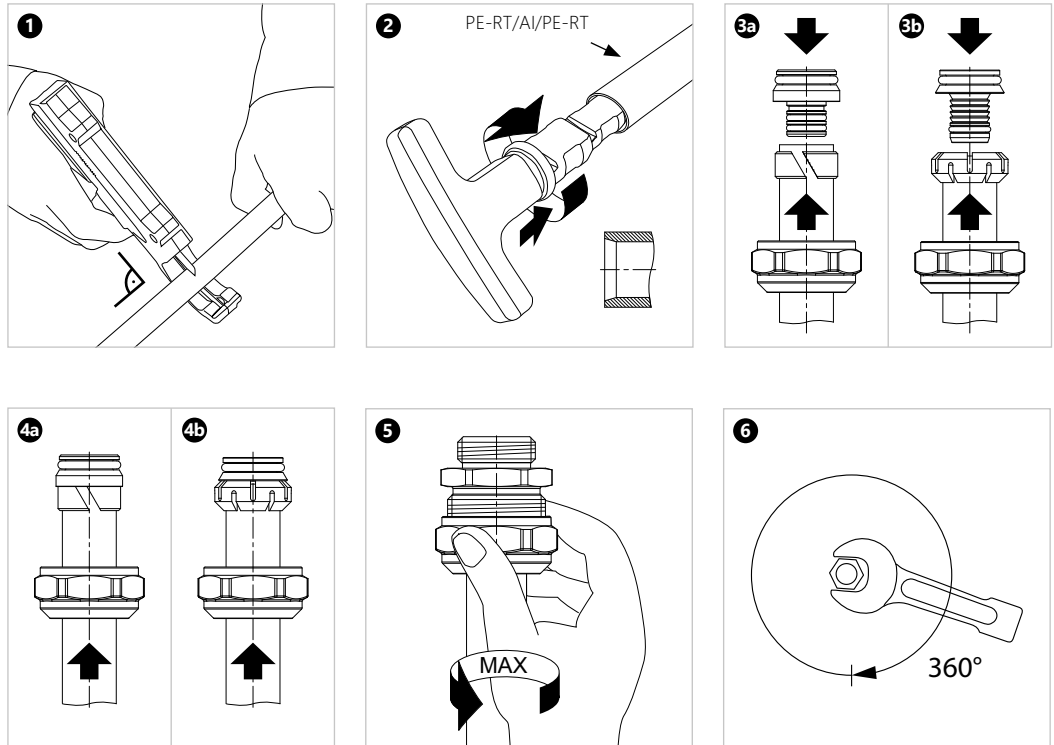
i **When modernizing an installation, it is possible to disassemble the joint (cut off the used pipe ending). There is also a possibility of reusing the union adapter (provided that the ring is replaced with a new one - does not apply to the PPSU version).**

All above mentioned union adapters are compatible with:

- a series of KAN-therm fittings with male threads equipped with Eurocone sockets,
- KAN-therm manifolds equipped with special $\frac{1}{2}$ " and $\frac{3}{4}$ " nipples.

To connect 16×2 mm multilayer pipes directly to the manifold body (without nipples), use a pressed fitting with a diagonally cut ring with $\frac{1}{2}$ " male thread. The thread is equipped with an O-Ring, making additional sealants redundant.

Fitting with $\frac{1}{2}$ " male thread for connecting of 16×2 pipes to manifolds



3.4 Transport and storage

The elements of System KAN-therm Press can be stored in temperatures below 0 °C. If that is a case, secure them against dynamic loads.

They should be protected against mechanical damage during transport. Due to the sensitivity to ultraviolet rays, the pipes should be protected against direct long-term exposure to sunlight, both during storage, transport and assembly. System KAN-therm Press elements should be transported by covered means of transport and stored in standard storage facilities in conditions which do not cause deterioration of their quality.

- Do not store in the immediate vicinity of chemicals and sources of ammonia (toilets),
- Do not expose to sunlight (protect from heat and UV radiation),
- Avoid storing near strong heat sources,
- During storage and transport, no contact with sharp objects is allowed,
- Avoid surfaces with sharp edges or loose sharp elements on their surface,
- Do not drag directly on the ground or concrete surface,
- Protect against dirt, mortar, oils, greases, paints, solvents, moisture chemicals, etc.,
- Store and transport in original packaging,
- Remove elements from their original packaging immediately before assembly.



Detailed information about storage and transport of components can be found at www.kan-therm.com.



Install your **future**



SYSTEM **KAN-therm**

PP

High quality with
reasonable price

Ø **16–110 mm**

Table of contents

4 KAN-therm PP

4.1	General information	99
4.2	KAN-therm PP pipes	99
	Physical properties of KAN-therm PP pipe material	101
	Pipe marking, color	101
	Dimension parameters of KAN-therm PP pipes	102
4.3	Fittings and other elements of the system	104
4.4	Scope of use	104
4.5	Technique of connecting KAN-therm PP installations – welded joints	107
	Tools – preparation of the welder	108
	Preparation of elements for welding	109
	Welding technique	110
	Fittings with metal threads and collars	111
4.6	Transport and storage	113

4 KAN-therm PP

4.1 General information

KAN-therm PP is a complete installation system consisting of pipes and fittings made of polypropylene PP-R (type 3), a thermoplastic material, with diameter range: 16–110 mm. Connecting elements is performed using the coupling welding technique (thermal polyfusion) and electric welders. This welding technique creates continually uniform joints and therefore guarantees exceptional tightness and mechanic durability of the installation. The system is designed for indoor water supply installations (hot and cold tap water), heating installations and technological installations.

The KAN-therm PP system is characterized by:

- high hygiene of all products (physiological and microbiological neutrality),
- high chemical resistance,
- resistance to material corrosion,
- low thermal conductivity (high thermal isolation of pipes),
- low specific weight,
- resistance to scaling,
- muffling vibrations and noises,
- mechanic durability,
- uniform joints,
- high usage durability.

4.2 KAN-therm PP pipes

KAN-therm PP pipes and joints are manufactured of high quality PP-R polypropylene (Random copolymer), formerly marked as polypropylene type 3.

In terms of structure, we differentiate these types of pipes: uniform (homogenous) and multilayer pipes: stabilized with a layer of aluminum, the so-called Stabi Al pipes or multilayer pipes reinforced with a layer of glass fiber, the so-called Glass pipes.

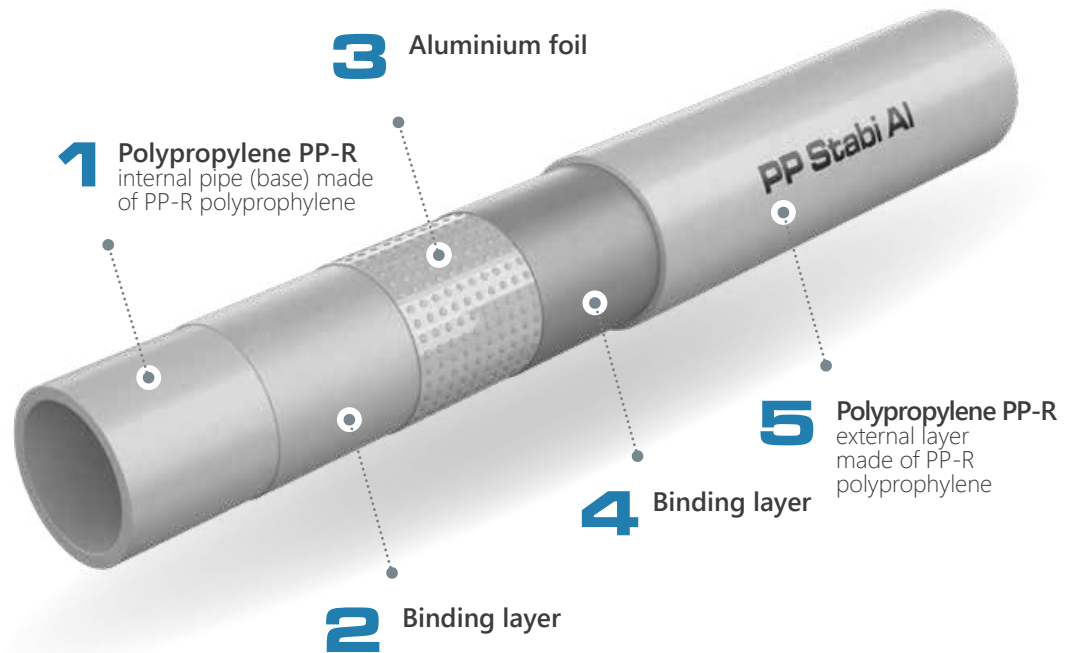
KAN-therm PP Stabi Al pipes consist of a PP-R base pipe made of polypropylene, which is coated with a layer of perforated aluminum tape, 0,13 mm thick, overlapping and additionally covered with a protective layer of polypropylene. For increased durability of the aluminum-polypropylene joint, double adhesive binding layers are applied.

KAN-therm PP



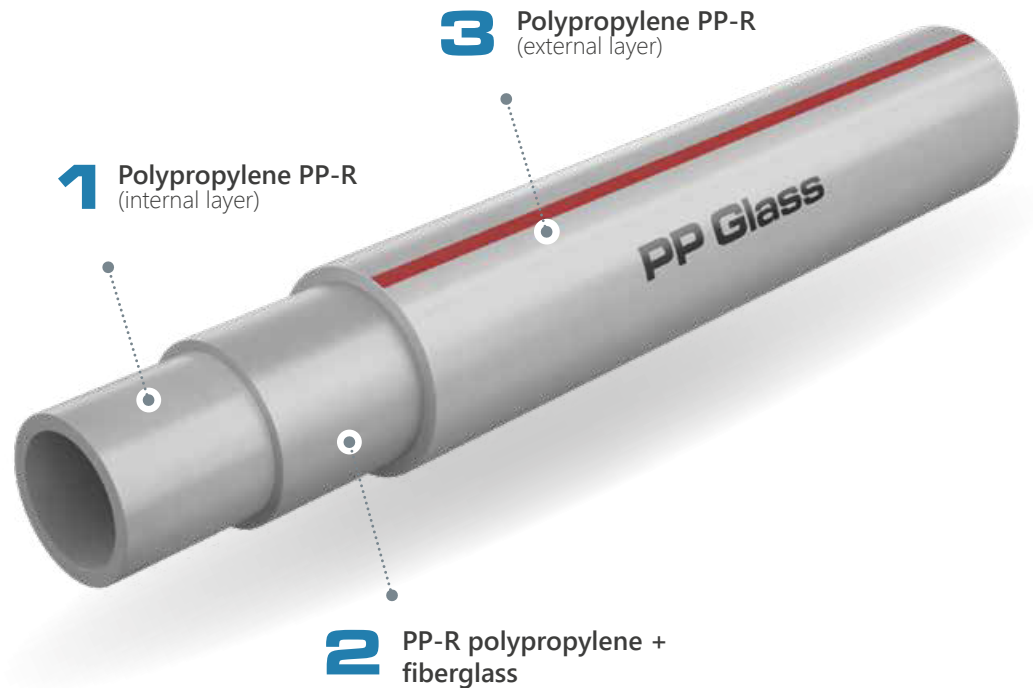
The basic function of the aluminum insert in KAN-therm PP Stabi compound pipes is to significantly reduce the thermal elongations of pipes ($\alpha = 0,03 \text{ mm/m} \times \text{K}$; for uniform pipes $\alpha = 0,15 \text{ mm/m} \times \text{K}$). The aluminum layer also serves as additional protection against the diffusion of oxygen from the environment.

Structure of a KAN-therm Stabi Al compound pipe

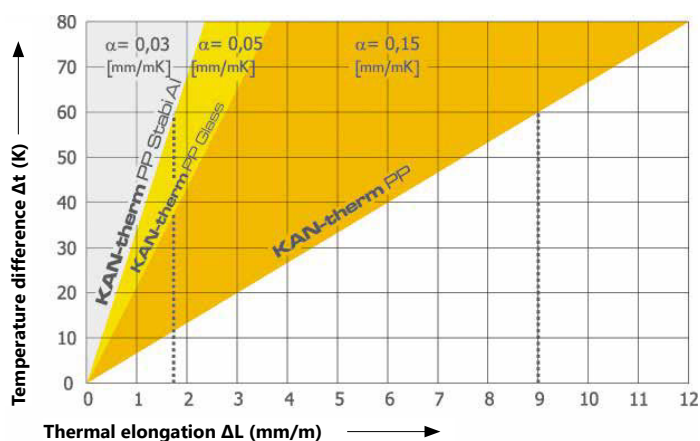


KAN-therm PP Glass pipes also feature multilayer structure. Their internal layer, which is reinforced with glass fibre (40% of pipe wall thickness) determines very high durability of the pipe and its low thermal elongation $\alpha=(0,05 \text{ mm/m} \times \text{K})$.

Structure of a KAN-therm PP Glass



Comparison of the thermal expansion factor in uniform and both KAN-therm PP Stabi Al and Glass pipes



Physical properties of KAN-therm PP pipe material

Property	Symbol	Unit	Value
linear elongation coefficient	α	mm/m × K	0,15 for uniform pipes
			0,03 for Stabi Al pipes
			0,05 for Glass pipes
thermal conductivity	λ	W/m × K	0,24
density	ρ	g/cm ³	0,90
elasticity module		N/mm ²	900
minimum bend radius	R_{min}	mm	8 × De
internal wall roughness	k	mm	0,007

Pipe marking, color

Our pipes are marked in a continuous manner with inscriptions with a 1-meter span, containing i. e. the following indications:

Marking description	Example of marking
Name of manufacturer and/or trademark:	KAN, KAN-therm
Nominal external diameter x wall thickness	16 × 2,7
Dimension class	A
Pipe structure (material)	PP-R
Pipe code	04000316
Number of Standard or Technical Certificate	PN-EN 15874
Pressure/dimension ratio	PN20 SDR6
Application class/es with design pressure	Class 1/10 bar – 2/8 bar – 4/10 bar – 5/6 bar
Date of production	18.08.09
Other manufacturer markings, e.g. running meter, batch number	045 m






Notice – other, additional markings, e.g. numbers of certificates may also be inscribed on the pipe.

Pipe color: gray; pipe surface: mat or coarse (Stabi Al pipes).
KAN-therm PP Glass pipes are gray with a red stripe.

Pipes are supplied in bars, 4 m long.

Dimension parameters of KAN-therm PP pipes

KAN-therm PP System offers five types of pipes, differing in terms of wall thickness and structures (twin pipes):

PN 16 uniform pipes	(20 –110 mm)	
PN 20 uniform pipes	(16 –110 mm)	
PN20 PP Stabi Al pipes	(16 –110 mm)	
PN16 PP Glass pipes	(20 –110 mm)	
PN20 PP Glass pipes	(20 –110 mm)	

KAN-therm PP PN16 pipes (S3,2/SDR7,4)

Size	External diameter D	Wall thickness s	Internal diameter d	Capacity by unit	Weight by unit
[mm]	[mm]	[mm]	[mm]	[l/m]	[kg/m]
20 × 2,8	20	2,8	14,4	0,163	0,148
25 × 3,5	25	3,5	18,0	0,254	0,230
32 × 4,4	32	4,4	23,2	0,415	0,370
40 × 5,5	40	5,5	29,0	0,615	0,575
50 × 6,9	50	6,9	36,2	1,029	0,896
63 × 8,6	63	8,6	45,8	1,633	1,410
75 × 10,3	75	10,3	54,4	2,307	2,010
90 × 12,3	90	12,3	65,4	3,358	2,870
110 × 15,1	110	15,1	79,8	4,999	4,300

KAN-therm PP PN20 pipes (S2,5/SDR6)

Size	External diameter D	Wall thickness s	Internal diameter d	Capacity by unit	Weight by unit
[mm]	[mm]	[mm]	[mm]	[l/m]	[kg/m]
16 × 2,7	16	2,7	10,6	0,088	0,110
20 × 3,4	20	3,4	13,2	0,137	0,172
25 × 4,2	25	4,2	16,6	0,216	0,266
32 × 5,4	32	5,4	21,2	0,353	0,434
40 × 6,7	40	6,7	26,6	0,556	0,671
50 × 8,3	50	8,3	33,4	0,866	1,050
63 × 10,5	63	10,5	42,0	1,385	1,650
75 × 12,5	75	12,5	50,0	1,963	2,340
90 × 15,0	90	15,0	60,0	2,827	3,360
110 × 18,3	110	18,3	73,4	4,208	5,040

KAN-therm PP PN20 Stabi Al pipes

Size	External diameter D	Wall thickness s	Internal diameter d	Capacity by unit	Weight by unit
[mm]	[mm]	[mm]	[mm]	[l/m]	[kg/m]
16 × 2,7	16 (17,8)*	2,7	10,6	0,088	0,160
20 × 3,4	20 (21,8)*	3,4	13,2	0,137	0,218
25 × 4,2	25 (26,9)*	4,2	16,6	0,216	0,328
32 × 5,4	32 (33,9)*	5,4	21,2	0,353	0,520
40 × 6,7	40 (41,9)*	6,7	26,6	0,556	0,770
50 × 8,3	50 (51,9)*	8,3	33,4	0,866	1,159
63 × 10,5	63 (64,9)*	10,5	42,0	1,385	1,770
75 × 12,5	75 (76,9)*	12,5	50,0	1,963	2,780
90 × 15,0	90 (92)*	15,0	60,0	2,830	3,590
110 × 18,3	110 (112)*	18,3	73,4	4,210	5,340

* in brackets: average external diameter of the pipe with Al foil and protective shield

External dimensions of twin pipes with aluminum foil differ from the dimensions of uniform pipes (external diameter is slightly bigger due to the thickness of Al foil and the thickness of the PP-R protective shield). The nominal size of these pipes corresponds to the external diameters of base pipes.

KAN-therm PP PN16 Glass pipes

Size	External diameter D	Wall thickness s	Internal diameter d	Capacity by unit	Weight by unit
[mm]	[mm]	[mm]	[mm]	[l/m]	[kg/m]
20 × 2,8	20	2,8	14,4	0,163	0,160
25 × 3,5	25	3,5	18,0	0,254	0,250
32 × 4,4	32	4,4	23,2	0,415	0,430
40 × 5,5	40	5,5	29,0	0,615	0,650
50 × 6,9	50	6,9	36,2	1,029	1,000
63 × 8,6	63	8,6	45,8	1,633	1,520
75 × 10,3	75	10,3	54,4	2,307	2200
90 × 12,3	90	12,3	65,4	3,358	3,110
110 × 15,1	110	15,1	79,8	4,999	4,610

KAN-therm PP PN20 Glass pipes

Size	External diameter D	Wall thickness s	Internal diameter d	Capacity by unit	Weight by unit
[mm]	[mm]	[mm]	[mm]	[l/m]	[kg/m]
20 × 3,4	20	3,4	13,2	0,137	0,218
25 × 4,2	25	4,2	16,6	0,216	0,328
32 × 5,4	32	5,4	21,2	0,353	0,520
40 × 6,7	40	6,7	26,6	0,556	0,770
50 × 8,3	50	8,3	33,4	0,866	1,159
63 × 10,5	63	10,5	42,0	1,385	1,770
75 × 12,5	75	12,5	50,0	1,963	2,780
90 × 15,0	90	15,0	60,0	2,830	3,590
110 × 18,3	110	18,3	73,4	4,210	5,340

Explanation of markings of uniform PP pipes

S	dimension series according to ISO 4	$S = (D-s)/2s$
SDR	Standard Dimension Ratio	$SDR = 2 \times S + 1 = D/s$
D(dn)	nominal external pipe diameter	
s(en)	nominal wall thickness	in brackets: markings acc. to standard
PN	Pressure nominal	

S	SDR	PN
5	11	10
3,2	7,4	16
2,5	6	20

4.3 Fittings and other elements of the system

The basic method of executing joints in polypropylene installations is thermal coupling welding which, thanks to the use of proper fittings, allows connecting pipes (pipe couplings), closing the pipeline (end caps), redirecting the pipeline (elbows, bends, passing loops, tees), changing the diameter of the pipe (couplings and reducers), executing branch-offs (tees, four-ways), connecting devices and fixtures (collar joints and metal threaded joints). Ball valves with polypropylene couplings serve as the joints here.

All of the above mentioned elements allow connecting fixtures to pipes or connecting two or more pipe sections, forming inseparable joints, requiring the pipe to be cut off if there is a need for disassembling the fitting. In order to execute a separated joint, sleeves for collar joints and union adapters must be used. All joints are universal and may be used with all types of KAN-therm PP pipes, irrespective of their wall thickness or structure.

KAN-therm PP System, apart from pipes, consists of the following elements:

- fittings (uniform) made of PP-R polypropylene (couplings, reducers, elbows, nipple elbows, tees),
- couplings with female and male metal threads 1/2" – 3" – used for connecting to devices and fixtures,
- sleeves for collar joints with loose collars, union adapters – for detachable joints,
- expansion bends, mounting plates, ball valves,
- mounting elements – plastic or metal with rubber insert clamps,
- tools for pipe bending, treatment and welding.

4.4 Scope of use

Thanks to the properties of PP-R, the KAN-therm PP Installation System has a wide spectrum of applications:

- cold (20 °C/1,0 MPa) and hot (60 °C/1,0 MPa) water installations in housing buildings, hospitals, hotels, office buildings, schools,
- central heating installations (temp. up to 90 °C, working pressure up to 0,6 MPa),
- compressed air installations,
- balneology installations,
- installations in agriculture and horticulture,
- pipelines in the industry, e.g. for transporting aggressive media and food products,
- ship installations.

The scope of use assumes new installations, as well as repair, modernization and exchange projects.

Thanks to special properties of polypropylene (physiological and microbiological neutrality, resistance to corrosion, resistance to scaling, immunity to vibrations, very good thermal insulation of pipes), KAN-therm PP System Installations are widely used, particularly in water supply installations, when mounting water supply risers and installation levels. This refers to both hot and cold tap water installations in housing buildings, hospitals, hotels, office buildings, schools, on ships, etc.

KAN-therm PP installations



KAN-therm PP installations are irreplaceable when replacing old, corroded water supply installations. They are also used in renovations of old heating installations.

Pipes and joints in the KAN-therm PP System are in full compliance with applicable standards, which guarantees their long-term and reliable operation as well as full security of assembly and use of the installation.

- **KAN-therm Stabi Al pipes:** technical approval granted by ITB,
- **KAN-therm PP uniform polypropylene pipes and joints:** compliance with PN-EN ISO 15874 approved for use by the National Institute of Hygiene,
- **KAN-therm Stabi Glass pipes:** national technical assessment granted by ITB.

Certificates and technical approvals are available at www.kan-therm.com.

The operational parameters and scopes of use of KAN-therm PP pipe installations in heating and water supply installations are presented in the table.

Application (acc. to ISO 10508)	P_{work} (Permissible) [bar]	Pipe type
Cold tap water $T = 20\text{ °C}$	according to pipe parameters	SDR7,4 (S3,2) - 16 bar SDR7,4 (S3,2) Glass - 16 bar SDR6 (S2,5) - 20 bar SDR6 (S2,5) Stabi Al and Glass - 20 bar
Hot tap water [Application class 1] $T_d/T_{max} = 60/80\text{ °C}$	10	SDR6 (S2,5) SDR6 (S2,5) Stabi Al and Glass
	8	SDR7,4 (S3,2) SDR7,4 (S3,2) Glass
Hot tap water [Application class 2] $T_d/T_{max} = 70/80\text{ °C}$	8	SDR6 (S2,5) SDR6 Stabi Al and Glass
	6	SDR7,4 (S3,2) SDR7,4 (S3,2) Glass
Radiant heating, low-temperature radiator heating [Application class 4] $T_d/T_{max} = 60/70\text{ °C}$	10	SDR7,4 (S3,2) SDR6 (S2,5) SDR7,4 (S3,2) Glass SDR6 (S2,5) Stabi Al and Glass
Radiator heating [Application class 5] $T_d/T_{max} = 80/90\text{ °C}$	6	SDR7,4 (S3,2) SDR6 (S2,5) SDR7,4 (S3,2) Glass SDR6 (S2,5) Stabi Al and Glass

Maximal operating pressure of PP-R pipes depending on the temperature and service life of the installation (safety factor C = 1,5)

Temperature [°C]	Time [years]	PP-R pipes	
		PN16 / SDR7,4 / S3,2	PN20 / SDR6 / S2,5
10	1	27,6	35,4
	5	26	33,3
	10	25,4	32,5
	25	24,5	31,4
	50	23,9	30,6
20	1	23,6	30,2
	5	22,2	28,4
	10	21,6	27,6
	25	20,8	26,7
	50	20,3	26
40	1	17	21,8
	5	15,9	20,4
	10	15,5	19,8
	25	14,9	19
	50	14,5	18,5
60	1	12,2	15,6
	5	11,3	14,5
	10	11	14
	25	10,5	13,4
	50	10,2	13
70	1	10,2	13,1
	5	9,5	12,1
	10	9,2	11,7
	25	8	10,2
	50	6,7	8,6
80	1	8,6	11
	5	7,6	9,7
	10	6,4	8,2
	25	5,1	6,6
	50	4,3	5,6
90	1	7,2	9,2
	5	5	6,4
	10	4,2	5,4
	25	3,4	4,3
95	1	6,1	7,8
	5	4,1	5,3
	10	3,5	4,4



Note

Conditions of using the KAN-therm PP System in installations other than heating and water supply installations - chemical resistance.

Elements of the KAN-therm PP system are characterized by high chemical resistance. You should remember, however, that the chemical resistance feature of polypropylene depends on the type and concentration of substances, as well as other factors, e.g. temperature and pressure of the medium, and ambient temperature. Chemical resistance of the couplings inserts (metal) must not be compared to the resistance of PP-R elements. Due to this fact, couplings are not applicable for all industrial usages. Before deciding on the application of KAN-therm PP pipes and joints in installations conducting substances different than water, please contact the KAN's Technical Department.

4.5 Technique of connecting KAN-therm PP installations – welded joints

Welding is the basic technology used for connecting KAN-therm PP polypropylene pipelines. The welding process is based on plasticizing the elements to be connected under high temperature (to a certain depth), and then joining, under right pressure, the plasticized layers and, finally, cooling the entire area to a temperature of hardening.

1. Cross-section of a welded joint
2. KAN-therm PP tools



Plasticization of layers to be connected takes place at 260 °C in a temporal function, taking into account the need to warm up a layer of material (external surface of the pipe and internal surface of the coupling) and a required depth. The essence of the process of welding polypropylene, also called thermal polyfusion, is relocating and mixing the polymer chains of plasticized and then pressed layers of elements being connected. Maintaining proper conditions in this process (temperature, time, pressure force and area, cleanliness of elements being connected) guarantees proper execution of the joint and its durability.

The process of heating (plasticizing) takes place with the use of an electric welder equipped with a heating plate with exchangeable (for each diameter) heating inserts covered with Teflon.

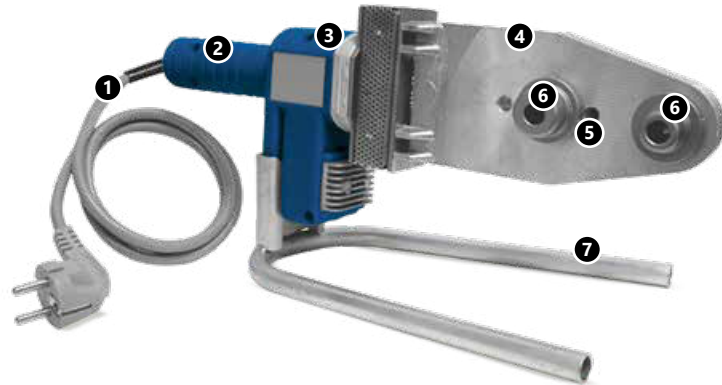
Depending on the diameter of the pipe, heating takes from 5 to 50 seconds. After this time, heated elements are removed from the inserts and the pipe is immediately mounted (without rotation!) inside the coupling at a depth which must be marked earlier. It is then that the particles of both elements penetrate one another and mix. A joint formed through thermal welding has impressive mechanic durability, exceeding the durability of the pipe itself (the cross section of the joint exceeds the cross section of the pipe).

Tools – preparation of the welder


In order to execute a polypropylene joint, use a welder designed to work under 230 V. This device consists of a power supply cable (1), a grip (2) with an in-built thermostat and controls (diodes) (3) and a heating plate (4), which heating inserts (6) are mounted to. The power of KAN-therm welders is 800 or 1600 W.

Welder elements

1. Power supply cable
2. Welder grip
3. Power supply and thermostat controls
4. Heating plate
5. Openings in the heating plate
6. Heating inserts
7. Stand



 **Welding temperature 260 °C**

- 1 Before starting any works, read the instruction manual to the corresponding welder type.
 - 2 Heating inserts (coupling and heating rod) must be screwed tightly using a wrench included in the set. They must contact the surface of the heating plate tightly. The inserts must not extend over the edge of the heating plate.
 - 3 Secure the inserts against scratching or polluting. Clean all pollutions with a natural cloth and rubbing alcohol.
 - 4 Connection to power supply is signaled by the lamp or diode on the casing lighting up.
 - 5 The required welding temperature (on the surface of inserts) is 260 °C. The temperature of the heating plate is higher (280-300 °C). When the device reaches the correct welding temperature, a thermostat control most often (depends on the model of the welder) signals it.
 - 6 After finishing all works, disconnect the welder from power supply and leave it to cool down.
Do not cool the welder rapidly, e.g. using cold water, since this may lead to the damage of heating circuits.
 - 7 Do not use a power supply cable of small cross section or one which is too long. Voltage fluctuations might disturb the proper operation of the device.
 - 8 Do not use the power supply cable to transport or hang the welder. When out of work, place it on the stand included in the set.
-  **NOTICE**
Due to varying tolerances of pipes and fittings by other manufacturers, to ensure the execution of a sealed and durable joint, we suggest the use of original tools, particularly heating inserts, as offered within the KAN-therm PP System.

Tools – work safety

All tools must be used according to their dedication and the manufacturer's instruction manual. During the use of tools, one must observe the terms of regular inspections and all applicable safety regulations. Using tools against their designed use may lead to their damage or to the damage of their accessories. It may also lead to the occurrence of leak-ages in installation joints.

Preparation of elements for welding



1. Cutting the pipe.

Use a pipe cutter, (or for bigger diameters) a round pipe cutter or a mechanic saw with a blade adapted to cutting polypropylene to cut the pipe. When cutting the pipe with a saw, remove all remainings from the surface and from the interior of the pipe.



2. Marking the depth of the weld.

Mark (using a ruler or, a template and a pencil) the depth of the weld at the end of the pipe (uniform and Stabi Glass pipes). Insufficient welding depth may weaken the joint. On the other hand, if the pipe is mounted too deep, it may become narrower (flange). The depths of welds are provided in the table.



3. Removing foil.

In the case of KAN-therm Stabi Al pipes, before welding, remove the layer of aluminum using a scraper (together with the PP protective shield and binding layers). Slide the end of the Stabi pipe into the hole of the scraper and, applying rotary motion, scrape off the layer of aluminum until the scraper ceases to produce chips. The length of the section with the foil removed signals the depth of the weld, hence there is no need to mark it, as in point 2. Always check for aluminum or binding layer (adhesive) remains on the surface. Scraper blades must not be blunt or chipped. Replace used blades with new, spare ones.

Welding parameters

External pipe diameter	Welding depth	Heating time	Binding time	Cooling time
[mm]	[mm]	[sec]	[sec]	[min]
16	13,0	5	4	2
20	14,0	5	4	2
25	15,0	7	4	2
32	16,0	8	6	4
40	18,0	12	6	4
50	20,0	18	6	4
63	24,0	24	8	6
75	26,0	30	10	8
90	29,0	40	10	8
110	32,5	50	10	8



Notice

The time of heating in ambient temperatures below +5 °C should be increased by 50%.

Welding technique



4. Heating the pipe and the joint.

The surfaces to be heated must be clean and dry. Slide the pipe end (without rotation) into the heating sleeve, up to the marked depth of the weld. At the same time, slide the fitting (also without rotation) on the heating rod, until it stops. Start counting the heating time when the pipe and the fitting are mounted at their entire welding depths. After the lapse of a half of the heating time (according to the table), continue to heat the fitting and start heating the pipe, until the end of required heating time.



5. Connecting elements

After heating take the pipe and fitting out of heating inserts in a continuous manner and immediately, without rotating, connect them. The marked welding border should then be covered by outflowing excess material. Do not heat beyond the marked welding border, since it could result in a narrowing or even a clog in the joint. When connecting elements, the joint can be slightly adjusted on the axis (up to a few degrees). Rotating elements being connected is absolutely prohibited.



6. Stabilizing and cooling.

After the welding time has lapsed, the joint must be stabilized and cooling must be initiated (time of cooling is provided in the table). In this period, you must not apply any mechanic pressure on the pipe. After all joints have cooled down, connect the installation to water supply and conduct a pressure test.

Fittings with metal threads and collars

Apart from welded joints, KAN-therm PP offers threaded and collar joints.

KAN-therm PP fittings with brass threads



The most basic elements with metal threads are PP-R polypropylene fittings (couplings, elbows, tees) with brass "inserts" with male and female threads. They form inseparable joints. Unscrewing a joint like this requires the pipe to be cut off. Such joints are used for connecting installations to heating and water supply devices and fixtures. Joints with 1" and bigger female and male threads are equipped with a six-sided mount for a flat wrench, allowing devices to be screwed-in and – out without applying excessive pressure on the weld and the fitting itself.

The group of detachable joints, allowing performance of multiple, exchangeable connections, includes KAN-therm PP union adapters (used e.g. to connect water meters) and "half unions" with specially formed stubs (for mounting rubber seals) and metal nuts.

KAN-therm PP detachable fittings – union adapter, half union and double union



KAN-therm PP also offers double union adapters (with two PP-R couplings) which allow mounting flanges on the pipe. An additional coupling with internal diameter corresponding to the external diameter of the pipe is required to connect these joints with the pipe.

For large pipe diameters, use collar couplings to execute detachable joints. Collar couplings are used e.g. to connect devices to collar stubs (pumps, valves, water meters). In installations, KAN-therm PP couplings are used with loose collars.

It is necessary to assemble a separate, flat seal. The seal should be made of a material type suitable for the parameters of the medium running through the joint.

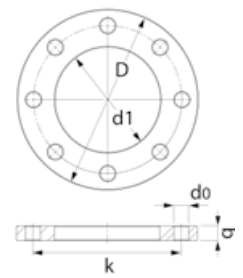
Ø110 mm collar joint



Collars

Sleeve size	DN	D	d1	k	d0	q	N
Ø40	32	140	43	100	18	18	4
Ø50	40	150	53	110	18	18	4
Ø63	50	165	66	125	18	20	4
Ø75	65	185	78	145	18	20	8
Ø90	80	200	95	160	18	20	8
Ø110	100	220	114	180	18	22	8

N - number of bolt holes



KAN-therm PP offers a wide selection of cut-off valves and fixtures welded into pipelines:



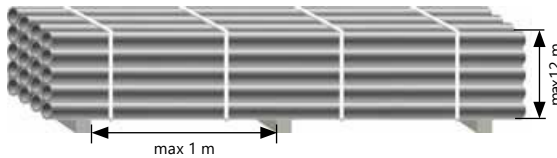
- ball valves,
- cut-off globe valves,
- globe valves for subplaster assembly.

4.6 Transport and storage

- Store and transport pipes in horizontal position, preventing them from bending,



- Maximum storage height – 1,2 m,



- During storage, pipes and joints must not be exposed to sun rays (they must be protected against heat and UV rays),



- Store pipes away from sources of strong heat,



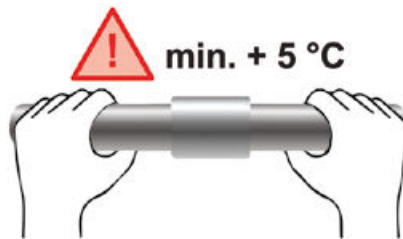
- Protect pipes against shocks or mechanic impacts, particularly their endings. Do not throw or drag pipes during transport,



- Do not use damaged (chipped, cracked, etc.) pipes.



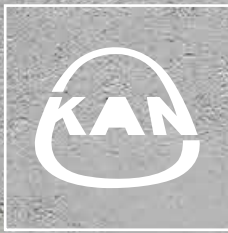
- Be extra careful when transporting or carrying pipes in temperatures below 0 °C (in these conditions pipes are more vulnerable to mechanic damages, especially Glass pipes),
- Perform assembly at temperatures above +5 °C. If it is necessary to install at temperatures lower than recommended, read the specific recommendations for the installation of the KAN-therm PP System at temperatures below 0 °C and absolutely use increased heating times for pipes and fittings,



- Protect pipes and fittings against polluting (particularly with oil or grease),
- Protect pipes and joints from the access of chemical substances (e.g. paint or organic solvents, steam containing chlorine).



Detailed information about storage and transport of components can be found at www.kan-therm.com.



Install your **future**



SYSTEM **KAN-therm**

Steel/Inox

Ø 12–108 mm

Ø 12–168,3 mm

Traditional material
in modern technology

Prestigious material,
Giga possibilities

Table of contents

5 System **KAN-therm Steel** / **KAN-therm Inox**

5.1	General information	117
5.2	KAN-therm Steel	118
	Pipes and fittings – characteristics	118
	Pipe diameters, lengths, weight and capacity	118
	Scope of use	119
5.3	KAN-therm Inox	120
	Pipes and fittings – characteristics	120
	Pipe diameters, lengths, weight and capacity	120
	Scope of use	121
5.4	Sealants – O-Rings	122
5.5	Durability, resistance to corrosion	123
	Internal corrosion	124
	KAN-therm Steel installations	124
	KAN-therm Inox installations	124
	External corrosion	126
	KAN-therm Inox installations	126
	KAN-therm Steel installations	126
5.6	Technique of Press joints	127
	Tools	127
	Preparation of pipes for pressing	133
	Pipe bending	140
	Threaded fittings, connecting with other Systems KAN-therm	140
5.7	Flange connections	141
5.8	Ball valves of System KAN-therm Steel and KAN-therm Inox	142
5.9	Operating remarks	143
	Equipotential bonding	143
5.10	Transport and storage	143

5 System **KAN-therm Steel** / **KAN-therm Inox**

5.1 General information

KAN-therm Steel and Inox are complete, state-of-the-art installation systems consisting of precise pipes and fittings manufactured out of high quality carbon steel (coated with an anti-corrosive zinc layer) – KAN-therm Steel and or stainless steel – KAN-therm Inox. Assembly of these installations bases on the "Press" technique, in which fittings are radially pressed over the pipe. Special pressure seals (O-Rings) provide tightness of joints. O-Rings are made of high quality synthetic rubber resistant to high temperatures. A three-point type "M" pressing system, which guarantees reliable, uninterrupted operation of the system. Steel and Inox systems are used in indoor installations (new and renovated) in housing estates, public buildings and industrial facilities.

KAN-therm Steel and Inox systems are characterized by:

- easy and quick assembly, without the need to use open flame,
- large scope of diameters of pipes and fittings, from 12 to 108 mm (168,3 for Inox pipes),
- broad working temperature tolerance: from -35 °C to 135 °C (200 °C after exchanging standard seals),
- resistance to high pressure, up to 25 bar,
- small flow resistance in pipes and fittings,
- possibility of connecting with plastic KAN-therm systems,
- small elements weight,
- resistance to mechanic loads,
- no fire threat during assembly and use (flammability class A),
- esthetic value of installations,
- signaling of badly-executed joints in the installation.

KAN-therm Inox



5.2 KAN-therm Steel

Pipes and fittings – characteristics

Pipes (precise, thin-walled, with longitudinal seam) and fittings are made of low-carbon (RSt 34-2) steel, material no. 1.0034 according to PN-EN 10305-3. The pipe is coated with a layer of zinc (Fe/Zn 88), 8-15 μm thick and additionally secured with a passivating layer of chromium. Zinc is applied through hot dip galvanization, which guarantees ideal adhesion to the wall, also during pipe bending.

For transport and storage, pipes are additionally coated on the inside and outside with a layer of oil. Fittings are offered with pressed ends and O-Ring seals, or with pressed and threaded ends with female or male threads, according to PN-EN 10226-1.

Physical properties of KAN-therm Steel pipes

Property	Symbol	Unit	Value	Remarks
Linear elongation coefficient	α	mm/m \times K	0,0108	$\Delta t = 1 \text{ K}$
Thermal conductivity	λ	W/m \times K	58	
Minimal bending radius	R_{min}		$3,5 \times D_e$	max. diameter 28 mm
Internal wall roughness	k	mm	0,01	

Pipe diameters, lengths, weight and capacity

Scope of diameters $\varnothing 12$ to $\varnothing 108$ mm, for wall thickness from 1,2 to 2 mm.

Pipe length 6 m \pm 25 mm, end-capped.

Dimensions, weight by unit, water capacity of KAN-therm Steel pipes

DN	External diameter \times Wall thickness	Internal diameter	Weight by unit	Capacity by unit
	mm \times mm	mm	kg/m	l/m
10	12 \times 1,2	9,6	0,320	0,072
12	15 \times 1,2	12,6	0,409	0,125
15	18 \times 1,2	15,6	0,498	0,192
20	22 \times 1,5	19,0	0,759	0,284
25	28 \times 1,5	25,0	0,982	0,491
32	35 \times 1,5	32,0	1,241	0,804
40	42 \times 1,5	39,0	1,500	1,194
50	54 \times 1,5	51,0	1,945	2,042
-	66,7 \times 1,5	63,7	2,412	3,187
65	76,1 \times 2,0	72,1	3,659	4,080
80	88,9 \times 2,0	84,9	4,292	5,660
100	108 \times 2,0	104,0	5,235	8,490

Scope of use

- closed heating installations (new installations and replacements),
- closed chilled water installations (notice – see chapter Internal corrosion),
- technological heat installations,
- closed solar installations (Viton O-Rings) (notice – see chapter External corrosion),
- fuel oil installations (Viton O-Rings),
- compressed air installations (non-humid).

Standard operating parameters of heating installations for the KAN-therm Steel System are specified in the National Technical Assessment by ITB Warsaw - working pressure 25 bar, working temperature 135 °C.

The operating pressure of the KAN-therm Steel System depends on the range of diameters and pressing tools used for performing connections.

When utilizing standard "M" profile press tools, the permissible working pressure is 16 bar for diameters 12 – 108 mm.

When utilizing Novopress press tools equipped with jaws and collars in "HP" profile, the permissible operating pressure is 25 bar for diameters 12 – 54 mm.

Working pressure of 25 bar does not include KAN-therm Steel and KAN-therm Inox ball valves and bellow compensators.

Working pressure of 25 bar includes installations filled with treated water. If using other media, contact KAN Technical Department.

Maximum working temperature (without temporal limitations) is 135 °C. When using Viton O-Rings, working temperature may be increased to 200 °C (parameters and scopes of use of Viton O-Rings are presented in chapter Sealants – O-Rings).

Examples of KAN-therm Steel installations



5.3 KAN-therm Inox

Pipes and fittings – characteristics

Pipes (precise, thin-walled with longitudinal seam out of) are made of thin-walled alloy steel, chromium-nickel-molybdenum X5CrNiMo 17 12 2 No. 1.4401, AISI 316 or X2CrNiMo 17 12 2 No. 1.4404, AISI 316L or X2CrMoTi18-2 No. 1.4521, AISI 444.

Fittings are made of chromium-nickel-molybdenum steel No. 1.4404, AISI 316L. Molybdenum content (min. 2,2%) determines the pipe's high resistance to corrosion.

According to Directive EU 98, inclusion of nickel in the alloy does not result in exceeding the permissible values of nickel content in potable water $\leq (0,02 \text{ mg/l})$.

Fittings are offered with pressed ends and O-Ring seals, or with pressed and threaded ends with female or male threads, according to PN-EN 10226-1.

Physical properties of 1.4401, 1.4404, 1.4521 KAN-therm Inox pipes

Property	Symbol	Unit	Value	Remarks
Linear elongation coefficient	α	mm/m \times K	0,0166	$\Delta t = 1 \text{ K}$
Thermal conductivity	λ	W/m \times K	15	
Minimal bending radius	R_{\min}		$3,5 \times D_e$	max. diameter 28 mm
Internal wall roughness	k	mm	0,015	

Pipe diameters, lengths, weight and capacity

Scope of diameters $\varnothing 12$ to $\varnothing 168,3$ mm for wall thickness from 1,0 to 2 mm.

Pipe length 6 m \pm 25 mm, end-capped.

Dimensions, weight by unit, water capacity of standard KAN-therm Inox pipes (1.4404)

DN	External diameter \times Wall thickness	Wall thickness	Internal diameter	Weight by unit	Number in bar	Capacity by unit
	mm \times mm	mm	mm	kg/m	m	l/m
10	12 \times 1,0	1,0	10,0	0,270	6	0,080
12	15 \times 1,0	1,0	13,0	0,352	6	0,133
15	18 \times 1,0	1,0	16,0	0,427	6	0,201
20	22 \times 1,2	1,2	19,6	0,627	6	0,302
25	28 \times 1,2	1,2	25,6	0,808	6	0,515
32	35 \times 1,5	1,5	32,0	1,263	6	0,804
40	42 \times 1,5	1,5	39,0	1,527	6	1,195
50	54 \times 1,5	1,5	51,0	1,979	6	2,042
65	76,1 \times 2,0	2,0	72,1	3,725	6	4,080
80	88,9 \times 2,0	2,0	84,9	4,368	6	5,660
100	108 \times 2,0	2,0	104,0	5,328	6	8,490
125	139,7 \times 2,0	2,0	135,7	7,920	6	14,208
150	168,3 \times 2,0	2,0	164,3	9,541	6	20,893

Dimensions, weight by unit, water capacity of standard KAN-therm Inox pipes (1.4401 and 1.4521)

DN	External diameter × Wall thickness	Wall thickness	Internal diameter	Weight by unit	Number in bar	Capacity by unit
	mm × mm	mm	mm	kg/m	m	l/m
12	15 × 1,0	1,0	13,0	0,352	6	0,133
15	18 × 1,0	1,0	16,0	0,427	6	0,201
20	22 × 1,2	1,2	19,6	0,627	6	0,302
25	28 × 1,2	1,2	25,6	0,808	6	0,514
32	35 × 1,5	1,5	32,0	1,263	6	0,804
40	42 × 1,5	1,5	39,0	1,527	6	1,194
50	54 × 1,5	1,5	51,0	1,979	6	2,042
65	76,1 × 2,0	2,0	72,1	3,725	6	4,080
80	88,9 × 2,0	2,0	84,9	4,368	6	5,660
100	108 × 2,0	2,0	104,0	5,328	6	8,490

The scope of application of the KAN-therm Inox installation in the construction industry is determined by the applicable standards and the National Technical Assessment ITB Warsaw - operating pressure up to 25 bar and maximum temperature 135 °C:

Operating pressure of the KAN-therm Inox System depends on the range of diameters and press tools used for performing connections.

When using standard "M" profile press tools, the permissible working pressure is 16 bar for diameters 12 – 168,3 mm.

When using Novopress press tools equipped with jaws and collars in "HP" profile, the permissible working pressure is 25 bar for diameters 12 – 108 mm.

Working pressure of 25 bar does not include KAN-therm Steel and KAN-therm Inox ball valves and bellows compensators.

Working pressure of 25 bar includes installations filled with treated water. If using other media, contact KAN Technical Department.

Maximum working temperature, when using standard EPDM seals, is 135 °C.

With Viton O-Rings, continuous operation of the installation is possible in the temperature range -30 °C - 200 °C, also in the case of non-typical media.

Scope of use

- heating installations,
- hot and cold tap water installations (National Institute of Hygiene approval),
- treated water installations (desalinated, softened, decarbonated, deionized, demineralized and distilled),
- open and closed heating systems (water, glycol),
- open and closed chilled water installations (max. dissolved chloride contents 250 mg/l),
- solar installations (Viton O-Rings – working temperature up to 200 °C),
- fuel oil installations (Viton O-Rings),
- compressed air installations up to 16 bar,
- condensate installations applying the condensation technique for gas fuels (pH 3.5 to 5.2),
- technological installations in the industry.

The use of KAN-therm Inox pipes and fittings outside the scope of indoor water supply and heating installations, e.g. for media of non-typical chemical contents should be consulted with KAN's Technical Department (available questionnaire); Please provide i. a. the chemical content of the medium, maximum temperature and working pressure, as well as ambient temperature in the questionnaire.

Exemplary KAN-therm Inox installation



5.4 Sealants – O-Rings

KAN-therm Steel and Inox pressed fittings are, by standard, equipped with O-Rings made of ethylene-propylene EPDM rubber observing the requirements of PN-EN 681-1. In the case of special applications, special Viton O-Rings may be supplied. Working parameters and scopes of use are presented in the table.

Material	Color	Working parameters	Use
EPDM ethylene-propylene rubber	black	<ul style="list-style-type: none"> ■ max working pressure: 16 or 25 bar (depending on the tools used) ■ working temperature: -35 °C to +135 °C ■ short-term: +150 °C 	<p>installations:</p> <ul style="list-style-type: none"> ■ potable water ■ hot water ■ central heating ■ conditioned water ■ glycol solutions* ■ fire fighting ■ compressed air (with no oil**)
FPM/Viton fluoride rubber	green	<ul style="list-style-type: none"> ■ max working pressure: 16 or 25 bar (depending on the tools used) ■ working temperature: -30 °C to +200 °C ■ short-term: +230 °C 	<p>installations:</p> <ul style="list-style-type: none"> ■ solar ■ compressed air ■ fuel oil ■ fuel ■ with vegetable fat ■ glycol solutions* ■ Notice: Do not use in tap water and pure hot water installations.
FPM/Viton fluoride rubber	gray	<ul style="list-style-type: none"> ■ max working pressure: 9 bar ■ working temperature: -20 °C to +175 °C ■ short-term: +190 °C 	<p>Inox installations:</p> <ul style="list-style-type: none"> ■ steam ■ scope of diameters 15–54 mm

* It is permissible to use antifreeze solutions based on ethylene and propylene glycols with a maximum concentration of up to 50%, which have been approved by KAN in writing.
 ** Maximum concentration of synthetic oils up to 25 mg/m³; mineral oils not allowed.

The possibility of using Viton O-Rings should be consulted with KAN's Technical Department. Replacement of O-Rings in between Inox and Steel fittings is not allowed.

Both in the case of EPDM and Viton O-Rings, the use of glycol solutions (ethylene and propylene) is allowed as long as they are approved in writing by the manufacturer of the installation system.

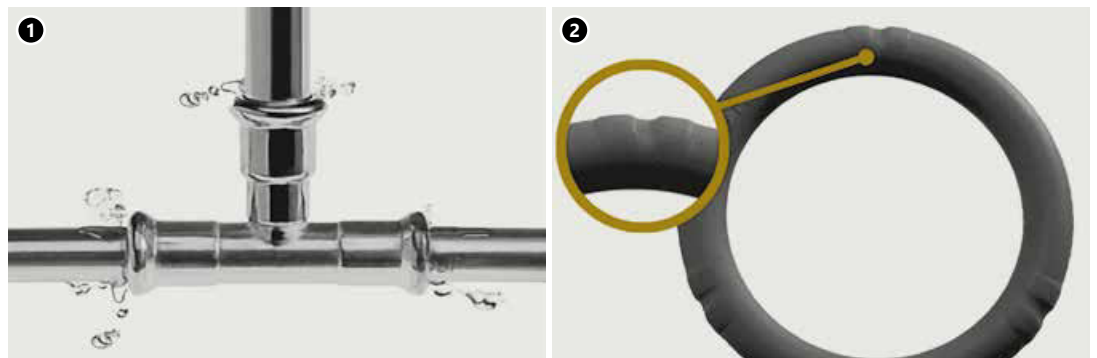
In order to facilitate mounting KAN-therm Steel pipes inside the fittings, O-Rings are covered with Teflon (up to Ø54) and talcum powder (Ø76,1 – Ø108). O-Rings in Inox fittings are covered with talcum powder (all diameters). If, however, the use of another lubricant proves necessary, use water or soap. Do not cover O-Rings with grease, oil or fat. These substances might damage the joints. This also refers to contact with some types of paint used to cover pipes and fittings. Therefore, if required to paint the installation, use Viton O-Rings instead or apply water based acrylic paints only.

The durability of KAN-therm Steel and Inox O-Rings has been tested and proven by the DVGW institute. According to test results, the life span of an O-Ring should be no shorter than 50 years.

KAN-therm Steel and Inox fittings up to 54 mm are equipped with special LBP O-Rings which guarantees fast detection of badly-executed joints in the installation during the preliminary stage of connecting to water supply (LBP function – Leak Before Press). Executed joints are signaled by water leaks. This useful function results from the unique structure of O-Rings having 3 special notches on the circumference. To ensure a fully functional and tight joint, after locating the leak, just press the joint.

For elements above 54 mm, LBP function is performed by fitting specific shape.

1. O-Ring action with the LBP function of leakage detection
2. LBP O-Rings with a function of leakage detection



5.5 Durability, resistance to corrosion

Installation technology distinguishes various types of corrosion: chemical, electrochemical, internal or external, spot corrosion, corrosion produced by stray currents, etc. Such phenomena may be caused by specific physical and chemical factors related to the quality of installation materials, parameters of conducted media, external conditions, as well as the structure of the installation. Below, we present a few guidelines to be taken into account when designing, assembling and using KAN-therm Steel and Inox installations in order to avoid undesirable corrosive phenomena in metal installations.

The probability of occurrence of metal corrosion caused by stray currents (direct current passing through the pipeline material to the ground, disrupting the natural insulation layers, such as walls, pipe shields, etc.) is very small. This phenomenon is additionally reduced by introducing equipotential connections to the installation.

Internal corrosion

KAN-therm Steel installations

KAN-therm Steel pipes and fittings are made of high quality thin-walled carbon steel and are designed for use in closed installations. Oxygen dissolved in water facilitates corrosion, this is why its content in installation water should be maintained at a level below 0,1 mg/l.

In closed installations, access of oxygen from the environment is completely limited. A small amount of oxygen introduced in water when filling the installation will settle on the internal surface of pipes during their use, which will result in creating a thin layer of iron oxide, a natural anticorrosive layer. Therefore, draining water-filled installations should be avoided. If, after a pressure test, the installation is to be drained and remain unused for a longer period of time, we recommend using compressed air in pressure tests.

Any use of anti-frosts or corrosion inhibitors should be agreed on with KAN.

KAN-therm Inox installations

KAN-therm Inox pipes and fittings are perfect for transporting potable water (both cold and hot). They may also be used with treated water (softened, deionized, distilled), even water with conductivity below 0,1 $\mu\text{S/cm}$.

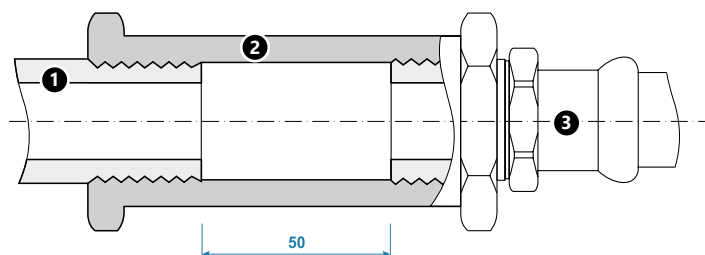
Stainless steel is resistant to nearly all components of the media transported in installations. Pay special attention to chlorides dissolved in water (halogens), since their action depends on their concentration and temperature (max 250 mg/l at 20 °C). No elements should be subjected to contact with highly concentrated ions of dissolved chlorides in temperatures above 50 °C. This is why you should:

- avoid sealants containing halogens which could dissolve in water (use plastic sealing tape, e.g. PARALIQ PM 35),
- avoid contact with oxygenated water with high chloride content (potable water with up to 0,6 mg/l chlorine content does not cause any adverse phenomena, the maximum permitted chlorine content in potable water is 0,3 mg/l). Water installations in the Inox system may be disinfected with a chlorine solution on the condition that its concentration in water does not exceed 1,34 mg/l, and that the installation is flushed twice after disinfection,
- local water heating by increased pipe wall temperature (e.g. heating cables in water supply installations) may lead to the precipitation of sediments on the internal surface of pipes, including chloride ions, which increase the risk of pit corrosion. In such case, the temperature of pipe wall should not exceed 60 °C permanently. Periodic (max 1 hour a day) water heating up to 70 °C for the purpose of thermal disinfection is permissible.

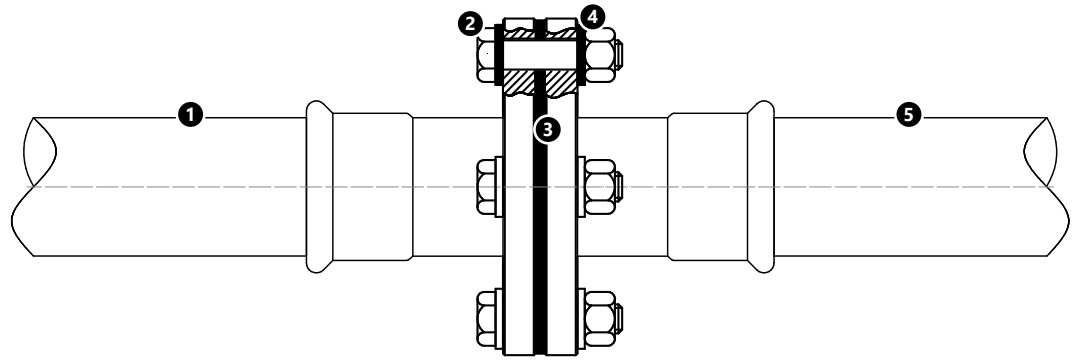
Direct connections of stainless steel elements with zinc-plated steel (fixtures, joints) may result in contact corrosion of zinc-plated steel. Therefore, a bronze or brass element (e.g. coupling) of at least 50 mm must be used.

Principle of connecting KAN-therm Inox elements with zinc-plated steel

1. Steel pipe zinc-plated
2. Bronze or brass
3. Joint with a KAN-therm Inox thread



It is also acceptable to make separable flange connections:



Case I:

1. System KAN-therm Inox,
2. stainless steel flange bolt and nut
3. elastomer or fibre sealing
4. metal washer with plastic casing
5. System KAN-therm Steel or traditional steel system.

Case II:

1. System KAN-therm Inox,
2. stainless steel flange bolt and nut
3. elastomer or fibre sealing
4. metal washer with plastic casing
5. System KAN-therm Copper or traditional copper system.

Case III:

1. System KAN-therm Steel
2. stainless steel flange bolt and nut
3. elastomer or fibre sealing
4. metal washer with plastic casing
5. System KAN-therm Copper or traditional copper or stainless system.

Remember that all of the above flange connections use bolts and nuts joining flanges made of stainless steel. Only in the case of connecting System KAN-therm Steel with zinc plated carbon steel it is possible to use bolts and nuts made of galvanised steel.

In water supply systems, remember of the liquid flow direction (the more corrosion-resistant metal should be placed behind the less corrosion-resistant metal, when looking in the direction of flow). That rule does not apply to closed liquid circuits.

In KAN-therm Inox and Steel systems, the possibility of using other materials (with intermediate elements, such as threaded or collar joints) depends on the type of installation.

Possibility of connecting KAN-therm Steel and **Inox** systems with other elements

Installation type		Pipes/fittings			
		Brass	Bronze/Brass	Carbon steel	Stainless steel
Steel	closed	yes	yes	yes	yes
	open	no	no	no	no
Inox	closed	yes	yes	yes	yes
	open	yes	yes	no	yes

External corrosion

Situations, in which Steel and Inox installations are exposed to external corrosion, are rather rare in indoor installations in the construction industry.

KAN-therm Inox installations

External corrosion of KAN-therm Inox system elements may occur only when pipes or fittings are located in humid environment containing or producing chlorine compounds or other halides. Corrosive processes are intensified in temperatures above 50 °C.

This is why:

- in contact with structural elements (e.g. mortar, insulation) producing chlorine compounds,
- when pipes are surrounded by an environment containing gas chlorine or its compounds, or water containing salt (brine) or other halogens,

use water-sealed anticorrosive coating (e.g. thermal insulation with closed pores, the joints of which are water-sealed).

KAN-therm Steel installations

KAN-therm Steel pipes and fittings are zinc-plated on the outside. This layer may be considered an efficient anticorrosive shield on short-term contact with water. Upon longer contact with water from the outside (ambient humidity permanently exceeding 65%), pipes and fittings must be equipped with tight moisture-proof insulation made of material of closed cells structure (not retaining moisture).

In case of long-lasting humidity, there is a potential threat of external corrosion of pipes and fittings. Therefore, the insulation layer must not contain any humidity from e.g. rain-water penetrating the coating or steam condensates (which is particularly common with mineral wool insulation layers). Insulation must be fully waterproof for the entire duration of pipeline use.

Correctly used insulation, blocking water penetration and protecting pipes and fittings from getting wet provides proper protection against corrosion. It is allowed to use paint coats (suitable for galvanized surfaces) provided that paints and varnishes are:

- acrylic water-soluble in the case of using EPDM seals,
- solvent based, phthalic based with Viton green seals.

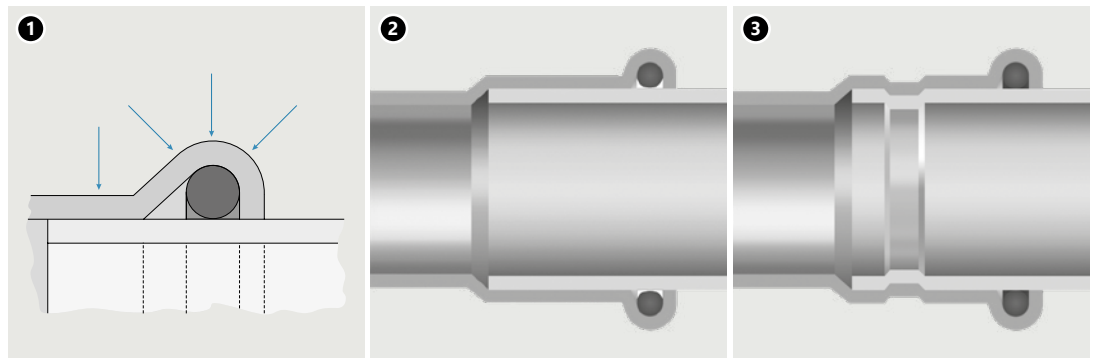
At every use, check the manufacturer's specification as regards the use of paint layers and the lack of negative impact on KAN-therm elements. Do not lay KAN-therm Steel pipes in floor slabs or walls (even when shielded).

5.6 Technique of Press joints

KAN-therm Inox and Steel Systems are based on the "Press" technique of executing joints, utilizing M-profiled jaws. This technique allows:

- applying three-surface pressure on the O-Ring, which ensures its correct deformation and adhesion to the pipe surface,
- fully enclosing the inner space, in which the O-Ring is settled – through screwing the edge of the fitting onto the surface of the pipe, which prevents pollutions from penetrating the interior of the fitting. Such structure serves as a natural mechanic shield to the seal and reinforcement to the joint,
- controlling the state of the joint through the structure of the O-Ring socket in the vicinity of the fitting edge.

1. Pressure directions in a "Press" joint
2. Cross-section of a joint before pressing
3. Cross-section of the joint after pressing



Tools

In order to ensure a correct, water-tight connection, use proper tools. We suggest the use of cutters, deburrers and press machines as well as jaws offered by the KAN-therm System. There is a possibility of using other tools recommended by KAN (see table below).

Pressing tools for use with the KAN-therm Steel/Inox System

Size	Manufacturer	Press type	Jaws/tongs
12–28 mm	Novopress	<ul style="list-style-type: none"> ■ Presskid (12 V) ■ AFP 101 (9,6 V) ■ ACO 102 (12 V) ■ ACO 103 (12 V) 	<ul style="list-style-type: none"> ■ Presskid: 12–28 mm jaws with inserts ■ AFP 101/ACO 102/ACO103 - PB1 jaws: 12–28 mm
12–54 mm	Novopress	<ul style="list-style-type: none"> ■ ECO 1 Pressboy (230 V) ■ ECO 201/202 (230 V) ■ ACO 1 Pressboy (12 V) ■ ACO 3 Pressmax (12 V) ■ ACO 201 (14,4 V) ■ ACO 202 (18 V) ■ ACO 202XL (18 V) ■ EFP 2 (230 V) ■ EFP 201/202 (230 V) ■ EFP 203 (230 V) ■ AFP 201/202 (14,4V) 	<ul style="list-style-type: none"> ■ PB2 jaws: 12–35 mm ■ Collars and adapters 35–54 mm: <ul style="list-style-type: none"> • Collars: HP35, 42 and 54 (with adapter ZB 201/ZB 203) • Snap On collars: HP35, 42 and 54 (with adapter ZB 201) • Snap On collars: HP35, HP42 and HP54 (with adapter ZB 203) ■ Collars for ACO 3 Pressmax are compatible with ZB 302/ZB 303 adapter <ul style="list-style-type: none"> • Collars: HP35, 42 and 54 (with adapter ZB 302/ZB 303) • Collars Snap On: HP35, 42 and 54 (with adapter ZB 303)
12–108 mm	Novopress	<ul style="list-style-type: none"> ■ ECO 3 Pressmax (230 V) ■ ECO 301 (230 V) 	<ul style="list-style-type: none"> ■ PB3 jaws: 12–28 mm ■ Collars and adapters (ZB 302/ZB 303) 35–54 mm: <ul style="list-style-type: none"> • Collars: HP35, 42 and 54 (with adapter ZB 302/ZB 303) • Sling On collars: HP42 and HP54 (with adapter ZB 302) • Snap On collars: HP35, HP42 and HP54 (with adapter ZB 303) ■ Collars and adapters 76,1–108 mm: <ul style="list-style-type: none"> • Collars M66,7–88,9 mm (ZB 323 adapter) • Snap On collar M108 mm (two adapters required: ZB 323 and ZB 324) • Sling On collars M76,1–88,9 mm (ZB321 adapter) • Sling On collars M108 (two adapters required: ZB321 and ZB322) <p style="text-align: right;">IMPORTANT: Press in two stages (108 mm).</p>
76,1–168 mm	Novopress	<ul style="list-style-type: none"> ■ Hydraulic-Press-System ■ HCP /HA 5 ■ ACO 401 (18 V) ■ ACO 403 (18 V) 	<ul style="list-style-type: none"> ■ Snap On collars HP76,1–139,7 mm ■ Sling On collars HP168,3 mm IMPORTANT: Press in two stages (168,3 mm).
12–28 mm	Klauke	<ul style="list-style-type: none"> ■ MAP1 "Klauke Mini" (9,6 V) ■ MAP2L "Klauke Mini" (18 V) 	<ul style="list-style-type: none"> ■ Mini Klauke jaws: 12–28 mm (28 mm jaw marked as "Only VSH")
12–54 mm	Klauke	<ul style="list-style-type: none"> ■ UAP2 (12 V) ■ UNP2 (230 V) ■ UP75 (12 V) ■ UAP3L (18 V) 	<ul style="list-style-type: none"> ■ Jaws: 12–54 mm (KSP3) ■ Collars and adapter: 42–54 mm (KSP3) IMPORTANT: New M-Klauke Jaw kits (without pressing inserts) may be used as well as old M-Klauke Jaw kits (with pressing inserts).
12–108 mm	Klauke	<ul style="list-style-type: none"> ■ UAP4 (12 V) ■ UAP4L (18 V) 	<ul style="list-style-type: none"> ■ Jaws: 12–54 mm (KSP3) ■ Collars and adapter: 42–54 mm (KSP3) ■ Collars and adapters: 76,1–168 mm (LP – KSP3)
66,7–108 mm	Klauke	<ul style="list-style-type: none"> ■ UAP100 (12 V) ■ UAP100L (18 V) 	<ul style="list-style-type: none"> ■ Collars: 66,7–108 mm (KSP3)
12–35 mm	REMS	<ul style="list-style-type: none"> ■ Mini Press ACC (12V) 	<ul style="list-style-type: none"> ■ REMS Mini Press jaws: 12–35 mm*
12–54 mm	REMS	<ul style="list-style-type: none"> ■ Powerpress 2000 (230 V) ■ Powerpress E (230 V) ■ Powerpress ACC (230 V) ■ Accu-Press (12 V) ■ Accu-Press ACC (12 V) 	<ul style="list-style-type: none"> ■ REMS jaws: 12–54 mm* (4G) ■ Collars and adapter: 42–54 mm (PR3-S)
12–54 mm	Rothenberger	<ul style="list-style-type: none"> ■ Romax AC ECO ■ Romax 3000 Akku ■ Romax 3000 AC ■ Romax 4000 	<ul style="list-style-type: none"> ■ "Standard" jaws M12–54 mm ■ Collars M42–54 with adapter

* only 18 and 28 mm forks marked as "108" (Q1 2008) or newer allowed

Utilization of other press tools requires consultation with the manufacturer of the installation system each time.



Tools – work safety

Before starting any works, make sure you read the instruction manual and learn the principles of safe work. All tools must be used according to their dedication and the manufacturer's instruction manual. During the use of tools, one must observe the terms of regular inspections and all applicable safety regulations. Using tools against their designed use may lead to their damage or to the damage of their accessories and pipes. It may also lead to the occurrence of leakages in installation joints.

Tool selection table: KAN-therm Steel and Inox

Producer	Press type		Diameter [mm]	Jaws/collars		Adapter		Type of KAN-therm System		
	Description	Code		Description	Code	Description	Code	Steel	Inox	
NOVOPRESS	ACO203XL EFP203 *	1948267181 1948267210	12*	[J] M	1948267134	-	-	+	+	
			15*	[J] M	1948267135	-	-	+	+	
			18*	[J] M	1948267137	-	-	+	+	
			22*	[J] M	1948267139	-	-	+	+	
			28*	[J] M	1948267141	-	-	+	+	
			35*	[J] M	1948267143	-	-	+	+	
			35*	HP Snap On	1948267124				+	+
			42*	M Snap On	1948267119				+	+
			42*	HP Snap On	1948267126	ZB 203	1948267000		+	+
			54*	M Snap On	1948267121				+	+
			54*	HP Snap On	1948267128				+	+
			66,7	M Snap On	1948267089				+	-
			76,1	M Snap On	1948267145	ZB 221	1948267005		+	+
			88,9	M Snap On	1948267044				+	+
			108	M Snap On	1948267038	ZB 221 ZB 222	1948267005 1948267007		+	+
			ACO102 ACO103	1948055007 1948055008	15	[J] M	1948267093	-	-	+
	18	[J] M			1948267095	-	-	+	+	
	22	[J] M			1942121002	-	-	+	+	
	28	[J] M			1948267097	-	-	+	+	
	ECO301	1948267163	12	[J] M	1948267084	-	-	+	-	
			15	[J] M	1948267085	-	-	+	+	
			18	[J] M	1948267087	-	-	+	+	
			22	[J] M	1944267008	-	-	+	+	
			28	[J] M	1944267011	-	-	+	+	
			35	HP Snap On	1948267124				+	+
			42	HP Snap On	1948267126	ZB 303	1948267166		+	+
			54	HP Snap On	1948267128				+	+
	ACO401 ACO403	1948267151 1948267209	66,7	M Snap On	1948267089	ZB 323	1948267009	+	+	
			76,1	HP Snap On	1948267100	-	-	+	+	
			88,9	HP Snap On	1948267102	-	-	+	+	
			108	HP Snap On	1948267098	-	-	+	+	
			139,7	HP Snap On	1948267071	-	-	-	+	
			168,3	HP	1948267072	-	-	-	+	

[J] - two segment jaw, other elements are collars / slings and may require cooperation with an adapter.

Producer	Press type		Diameter [mm]	Jaws/collars		Adapter		Type of KAN-therm System	
	Description	Code		Description	Code	Description	Code	Steel	Inox
REMS	Power Press SE Aku Press, Power Press ACC	1936267160, 1942267002 1936267152	12	[J] M	1948267046	-	-	+	+
			15	[J] M	1948267048	-	-	+	+
			18	[J] M	1948267052	-	-	+	+
			22	[J] M	1948267056	-	-	+	+
			28	[J] M	1948267061	-	-	+	+
			35	[J] M	1948267065	-	-	+	+
			42	[J] M	1948267067	-	-	+	+
			54	[J] M	1948267069	-	-	+	+
KLAUKE	UAP100	1948267159	67	KSP3	1948267078	-	-	+	-
			76,1	KSP3	1948267080	-	-	+	+
			88,9	KSP3	1948267082	-	-	+	+
			108	KSP3	1948267074	-	-	+	+

[J] - two segment jaw, other elements are collars / slings and may require cooperation with an adapter.

REMS tools:

1. Power Press ACC
2. Aku Press
3. Power Press SE
4. M12-35 mm jaw
5. M42-54 mm jaw



NOVOPRESS tools:

- 1. ACO 102 press machine
- 2. ACO 103 press machine
- 3. M15–28 mm jaw



- 1. ACO203XL press machine
- 2. PB2 M12–35 mm jaw
- 3. HP/M 35–108 Snap On press collar



- 4. ZB 203 adapter
- 5. ZB221, ZB222 adapter



- 1. EFP203 press machine
- 2. PB2 M12–35 mm jaw
- 3. HP/M 35–54 Snap On press collar



- 4. ZB203 adapter



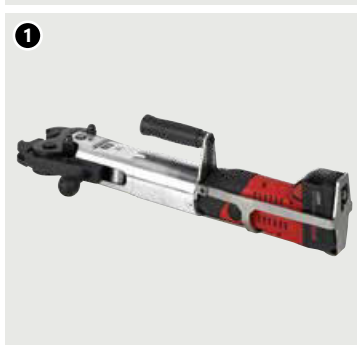
- 1. ECO 301 press machine
- 2. PB3 M12–28 mm jaw
- 3. HP/M 35-66,7 Snap On press collar



- 4. ZB 303 adapter
- 5. ZB 323 adapter

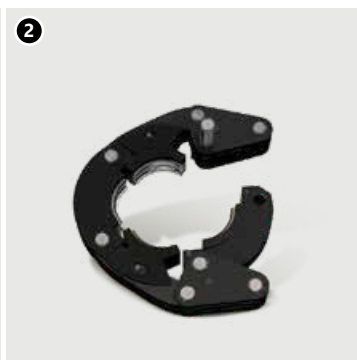
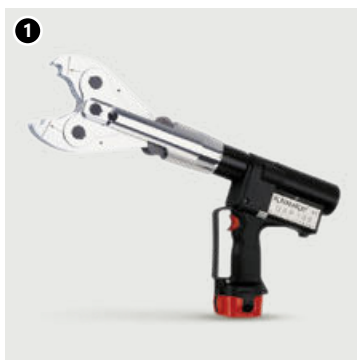


- 1. ACO 401/ACO 403 press machine
- 2. HP 76,1–108 Snap On press collar
- 3. HP 139,7–168,3 mm press collar



KLAUKE tools:

- 1. UAP100 press machine
- 2. KSP3 76,1–108 mm press collar



Preparation of pipes for pressing



1 Cutting pipes

Cut pipes perpendicularly to the axis using a roll pipe cutter (breaking incompletely cut pipe sections is prohibited). You may also use other tools, such as hand saws and electric saws designed for cutting carbon or stainless steel, provided that the cut is made perpendicularly and the edges of the pipe are not chipped. Do not use torches or cutting discs for pipe cutting, which can generate significant amounts of heat, angle grinders, etc.



2 Chamfering

Use a manual chamfer (for diameters 76,1–168,3 – a semi-round steel file) to chamfer the internal and external edge of the pipe, removing all chips, which could potentially damage the O-Ring during assembly.



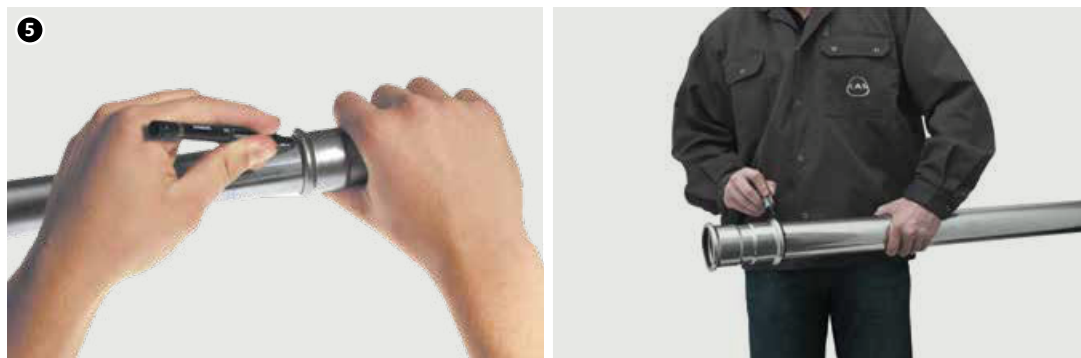
3 Inspection

Prior to assembly, visually inspect the presence and condition of the O-Ring. Check, if there are no chips or metal shavings or other pollutions on the pipe and the fitting, which could damage the seal during installation. Make sure if the distance between neighboring fittings is above the permissible (d_{min}).

4 Mounting the pipe and the joint

To achieve the correct strength of a joint, ensure a proper depth A (tab. 1, fig. 1) of inserting the pipe into the fitting.

Before pressing, insert the pipe into the fitting up to the marked depth (slight rotation permissible). Do not use lubricants, greases or fats when mounting the pipe (water or a soap solution is permissible – recommended for pressure tests conducted with compressed air).



5 Marking the depth of the mount

In order to ensure the correct durability of your joint, maintain proper depth A (table on page 139) of mount of the pipe inside the fitting. When mounting multiple joints at the same time (sliding pipes into fittings), before pressing next joints, inspect the pipe insertion depth. To do this, just check if the pipe is inserted into the fitting as far as possible.

To facilitate the identification of the pipe insertion depth in the fitting, a simple technology of marking with a marker can be used (not required in building conditions). It consists in sliding the pipe into the fitting as far as possible and then making a mark on the pipe, right next to the very edge of the fitting socket. After pressing, this mark must still be visible right at the edge of the fitting.

You can also use special patterns to mark the sliding depth without checking it with the fitting.

! **Note: The patterns to mark the sliding depth are not part of the basic system offer and may be available depending on the markets where the product is sold.**

6 Pressing joints

Before starting any works, read all suitable instruction manuals and verify the proper operation of your tools. Use press tools and jaws recommended by KAN.

Select the size of your press jaw basing on the diameter of the joint. Place the jaws on the joint so that its notch embraces the protruding part of the fitting (the space where the O-Ring is located). After starting the press, the process takes place automatically and cannot be stopped. If, for any reason, the process of pressing is stopped, the joint needs to be disassembled (cut off) and a new one needs to be executed. If the installer has press tools and jaws not supplied by the KAN-therm, the possibility of using them should be consulted with KAN's Technical Department.



7 Pressing 76,1–108 mm joints - preparing the jaws

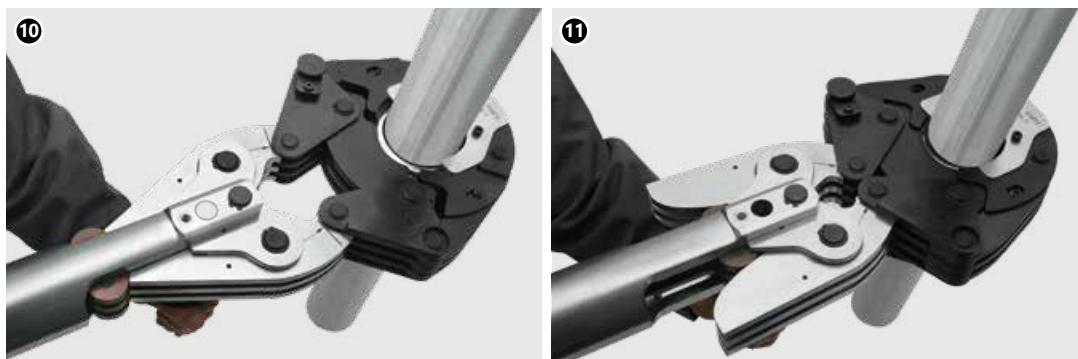
To press the biggest diameters (76,1; 88,9; 108), use a special, four-part jaw (collar). After taking the jaws out of the box, unlock it. Next, open the jaws.



8 Mount the opened jaws on the fitting. The jaws are equipped with a special notch, which fits the collar on the fitting.

! Notice: A label with the size of the jaws (visible on the figure) should be always located at the side of the pipe.

- 9 After the jaw is properly located on the fitting, it should be secured again by pressing the pin as far as possible (Klauke collars) or checking the alignment of the markers (Novopress collars). At this moment, the jaws are ready to be connected to the press machine.



10 **Connecting the press machine to the jaws**

Connect the press tool to the collar. It is absolutely necessary to ensure that the press tool is connected to the collar in accordance with the instructions attached to the specific tool.

A press machine connected this way may be started for the purpose of executing a fully pressed joint.

11 **Pressing**

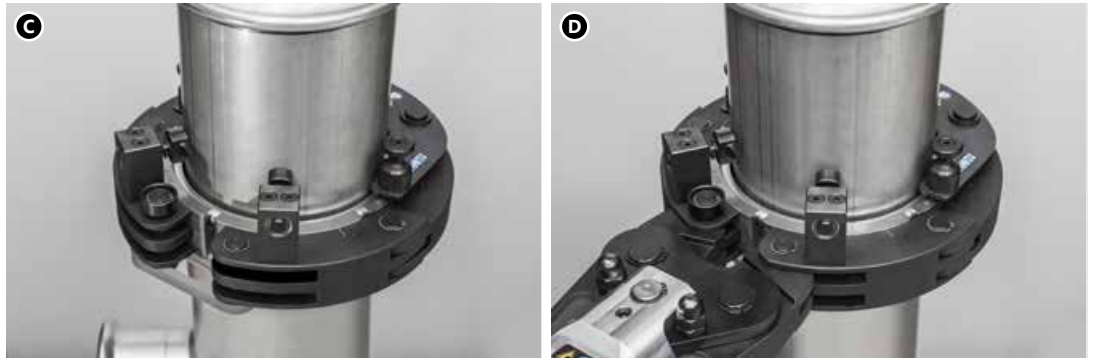
The full time of executing one pressed joint is c.a. 1 min. (applies to diameters: 76,1–108 mm). After starting the press, the process takes place automatically and cannot be stopped. If, for any reason, the process of pressing is stopped, the joint needs to be disassembled (cut off) and a new one needs to be executed. After executing the pressed joint, the press machine will automatically return to its primary position. After that, remove the arms of the press machine from the jaws. To remove the collar from the fitting, unlock it again and then unfold it. Klauke collars should be stored in the suitcases in a secured condition - locked.

Placing 139,7 - 168,3 collars on the fitting

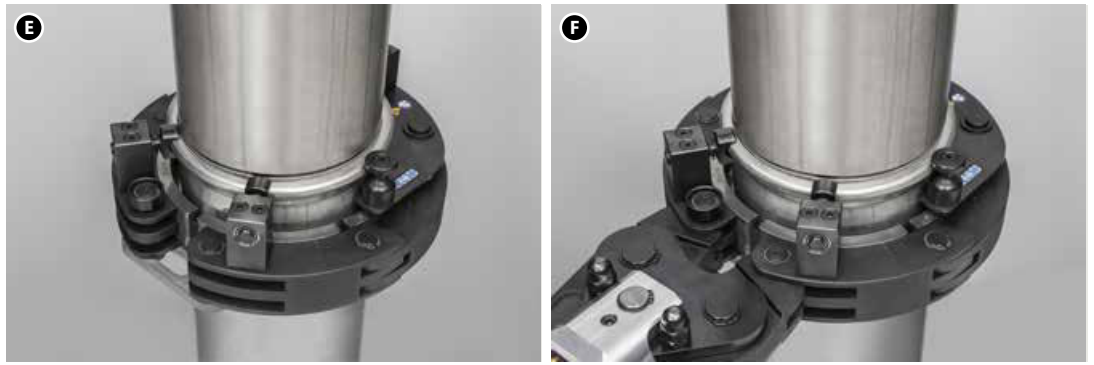
For GigaSize diameters 139,7 – 168,3 in order to unfold the collar, press the pin shown in the photo (A), and then unfasten the connector (B).



Mount the opened collar on the fitting. The collars are equipped with a special notch, which fits the protrusion on the fitting. After mounting the collar on the fitting, lock them again by reinstalling the connector and locking the pin.



Connect the press tool to the collar. It is absolutely necessary to ensure that the press tool is connected to the collar in accordance with the instructions attached to the specific tool. The press tool connected to the collar can be started in order to fully press the first stage of the connection. After starting the press, the process takes place automatically and cannot be stopped. If, for any reason, the process of pressing is stopped, the joint needs to be disassembled (cut off) and a new one needs to be executed. After executing the pressed joint, the press machine will automatically return to its primary position. After that, remove the arms of the press machine from the collar.



Before performing the second stage of making the connection, the collar should be disassembled and then placed with rollers and spring pins in the place where the sealing O-Ring is installed. After the collar is properly mounted on the fitting, it should be secured again by pressing the pin and fastening the connector. Reconnect the press tool to the collar.

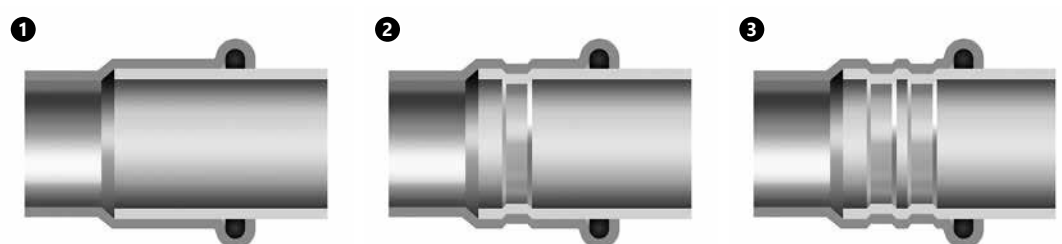
It is absolutely necessary to ensure that the press tool is connected to the collar in accordance with the instructions attached to the specific tool. The press tool connected to the collar can be started in order to fully press the second stage of the connection. The rules given at the first stage of the connection should be followed. After executing the pressed joint, the press machine will automatically return to its primary position. After that, remove the arms of the press machine from the collar.

Correctly made two-stage press connection with a diameter of 139,7 and 168,3 mm is characterized by a double ring imprinted on the fitting, as shown in the photo below:



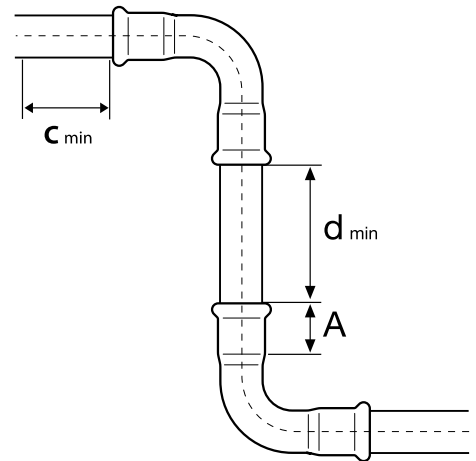
Before each start of works and at intervals defined by the manufacturer, the tools should be checked and lubricated.

- Press connection before (1) and after press (2, 3)
- 2. diameter range 12–108 mm
 - 3. diameter range 139,7 and 168,3 mm



Pipe insertion depth in the fitting and minimum distance between pressed fittings

\varnothing [mm]	A [mm]	d_{min} [mm]	C_{min} [mm]
12	17	10	40
15	20	10	40
18	20	10	40
22	21	10	40
28	23	10	60
35	26	10	70
42	30	20	70
54	35	20	70
66,7	50	30	80
76,1	55	55	80
88,9	63	65	90
108	77	80	100
139,7	100	60	-
168,3	121	60	-



A – Pipe insertion depth in the fitting,
 d_{min} – minimum distance between fittings allowing press correctness
 C_{min} – minimal distance of fitting from wall

Minimal assembly distances

\varnothing [mm]	Fig. 1		Fig. 2		
	a [mm]	b [mm]	a [mm]	b [mm]	c [mm]
12/15	56	20	75	25	28
18	60	20	75	25	28
22	65	25	80	31	35
28	75	25	80	31	35
35	75	30	80	31	44
42	140/115*	60/75*	140/115*	60/75*	75
54	140/120*	60/85*	140/120*	60/85*	85
76	140*	110*	165*	115*	115
88	150*	120*	185*	125*	125
108	170*	140*	200*	135*	135
139	290*	230*	290*	230*	230*
168	330*	260*	330*	260*	260*

*applies to four-part pressing jaws

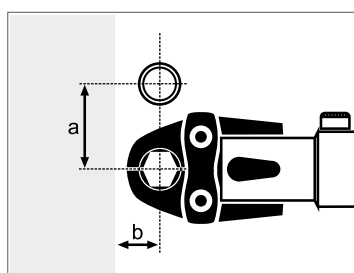


Fig. 1

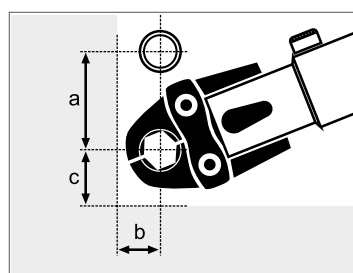


Fig. 2

Pipe bending

If there is a need, KAN-therm Steel and Inox pipes may be bent "cold", provided that the minimal bending radius R_{\min} is observed:

$$R_{\min} = 3,5 \times D_e$$

D_e – external diameter of the pipe

Do not bend the pipes "hot", due to the vulnerability of pipes processed this way to corrosion resulting from a change in the crystal structure of their material (KAN-therm Inox) and the possibility of damaging the zinc-plated layer of KAN-therm Steel pipes.

Use manual benders to bend the pipe. These may be electric or hydraulic. Do not "cold" bend pipes with diameters exceeding $\varnothing 28$ mm (use ready-made bends and elbows 90° and 45° supplied as part of the KAN-therm System).

Do not weld or solder KAN-therm Inox pipes, since this process changes the structure of material, which might lead to corrosion. Welding KAN-therm Steel pipes is not recommended (the anticorrosive zinc layer may be damaged).

Threaded fittings, connecting with other Systems KAN-therm

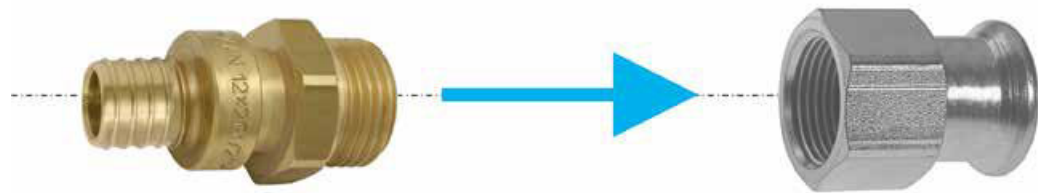
The principle of connecting KAN-therm Inox/Steel joints with brass fittings

Brass joint with male thread

KAN-therm Push, KAN-therm Press

Steel joint with female thread

KAN-therm Steel, KAN-therm Inox



KAN-therm Steel and Inox Systems offer a wide selection of fittings with male and female threads. Since fittings with male threads are equipped with cone threads (pipe), in threaded joints with brass shape fittings, you can only use male threads for brass joints, sealed with e.g. a small amount of tow. It is suggested that the threaded (screwed) joint is executed before pressing the joint, so that no additional load is applied on the pressed joint. Do not use standard PTFE tape or any other solutions containing halides (e.g. chlorides) to seal threads in KAN-therm Inox installations.

Threaded fittings with other fixtures and threaded elements outside the System KAN-therm offer should be made in line with PN-EN 10226 (PN-ISO 7-1) and PN-EN ISO 228 depending on the thread type.

5.7 Flange connections



Table of Steel flange connections

Code	Size	Amount of screws/nuts	Screw size	Screw class	Nut class	Amount of washers	Flange	Flat seal
1509091000	35 DN32 PN16	4	M16	8,8	8	8	DN32	DN32 EPDM
1509091001	42 DN40 PN16	4	M16	8,8	8	8	DN40	DN40 EPDM
1509091002	54 DN50 PN16	4	M16	8,8	8	8	DN50	DN50 EPDM
1509091005	66,7 DN65 PN16	4	M16	8,8	8	8	DN65	DN65 EPDM
1509091003	76,1 DN65 PN16	4	M16	8,8	8	8	DN65	DN65 EPDM
1509091004	88,9 DN80 PN16	8	M16	8,8	8	16	DN80	DN80 EPDM
1509091010	108 DN100 PN16	8	M16	8,8	8	16	DN100	DN100 EPDM

Table of Inox flange connections

Code	Size	Amount of screws/nuts	Screw size	Screw class	Nut class	Amount of washers	Flange	Flat seal
1609091004	15 DN15 PN16	4	M12	8,8	8	8	DN15	DN12 EPDM
1609091005	18 DN15 PN16	4	M12	8,8	8	8	DN15	DN15 EPDM
1609091006	22 DN20 PN16	4	M12	8,8	8	8	DN20	DN20 EPDM
1609091007	28 DN25 PN16	4	M12	8,8	8	8	DN25	DN25 EPDM
1609091001	35 DN32 PN16	4	M16	8,8	8	8	DN32	DN32 EPDM
1609091008	42 DN40 PN16	4	M16	8,8	8	8	DN40	DN40 EPDM
1609091009	54 DN50 PN16	4	M16	8,8	8	8	DN50	DN50 EPDM
1609091002	76,1 DN65 PN16	4	M16	8,8	8	8	DN65	DN65 EPDM
1609091003	88,9 DN80 PN16	8	M16	8,8	8	16	DN80	DN80 EPDM
1609091000	108 DN100 PN16	8	M16	8,8	8	16	DN100	DN100 EPDM
1609091010	139,7 DN125 PN16	8	M18	8,8	8	16	DN125	DN125 EPDM
1609091011	168,3 DN150 PN16	8	M22	8,8	8	16	DN150	DN150 EPDM

5.8 Ball valves of System KAN-therm Steel and KAN-therm Inox



Ball valves are intended for direct assembly on System KAN-therm pipelines using the radial pressing technology in profile "M". There are available versions with stub pipes pressed on both sides or pressed-on stub pipes and half union with flat sealing. The working pressure of 16 bar at working temperatures of -35 to +135 °C (150 °C short-term). The valves make it possible to cut off a part of an installation. When fully open, the valve has a minimum pressure drop. The valves have a 5-year manufacturer's guarantee.

Installation system	System KAN-therm Steel	System KAN-therm Inox
Construction materials	<ul style="list-style-type: none"> ■ body – carbon steel 1.0345 (RSt 37-8) electro-galvanised with 8 ÷ 15 µm thickness layer, ■ ball – brass CW617N or stainless steel 1.4401, ■ spindle and socket – stainless steel 1.4401, ■ lever – nylon reinforced with fibre PA66, ■ pipe stub sealing – EPDM70, ■ ball sealing – PTFE. 	<ul style="list-style-type: none"> ■ body – stainless steel 1.4404, ■ ball – stainless steel 1.4401, ■ spindle and socket – stainless steel 1.4401, ■ lever – nylon reinforced with fibre PA66, ■ pipe stub sealing – EPDM70, ■ ball sealing – PTFE.
Working pressure	16 bar	
Working temperature	-35 ÷ 135 °C	
Maximal temperature	150 °C	
Crimping profile	M	
Colour	silver, black lever	
Marking	System KAN-therm Manufactured in Denmark by BROEN	
Certification	ITB KOT	

5.9 Operating remarks

Equipotential bonding

Due to their limited electrical conductivity, KAN-therm Inox/Steel pipes cannot be used as additional protective conductors in the electric shock protection system in buildings. They can also not be used as ground wiring. Installations made in the KAN-therm Steel System should be provided with electric equalizing connections. All electrical connections of the building should be designed and made by authorized electricians.

5.10 Transport and storage

- Elements of the KAN-therm Steel (carbon steel) and KAN-therm Inox (stainless steel) must be stored separately.
- Do not store elements of the system directly on the ground (e.g. on soil or concrete).
- Do not store elements of the system in the vicinity of chemical solutions.
- Pipe bundles should be stored and transported on wooden pallets (avoid direct contact with other steel elements, e.g. pipe stands).
- During transport, loading and unloading, be extra careful not to scratch or damage the pipes or fittings – do not: throw, drag or bend them.
- Rooms designed for storing elements of the system must be dry.
- During their storage, assembly and use, pipe surfaces must not be exposed to long-term, direct contact with water or humidity.



Detailed information about storage and transport of components can be found at www.kan-therm.com.



Install your **future**



SYSTEM **KAN-therm**

Copper

Modern approach
to classic solutions

Ø 12-108 mm

Table of contents

6 System **KAN-therm** Copper

6.1	Modern connection technology	147
6.2	Durable connection technology	148
6.3	Applicability	148
6.4	Advantages	148
6.5	Assembly of connections	149
6.6	Tools	154
6.7	Tools – Safety	156
6.8	LBP function	156
6.9	Detailed information	157
6.10	Data on elongation and thermal conductivity	158
6.11	Recommendations for use	158
6.12	Threaded connections, connection to other KAN-therm systems	159
6.13	Flange connections	160
6.14	Transport and storage	160



6 System **KAN-therm** Copper

System KAN-therm Copper is a system of fittings made of high quality copper and bronze in diameters from Ø12mm to Ø108mm.

6.1 **Modern connection technology**

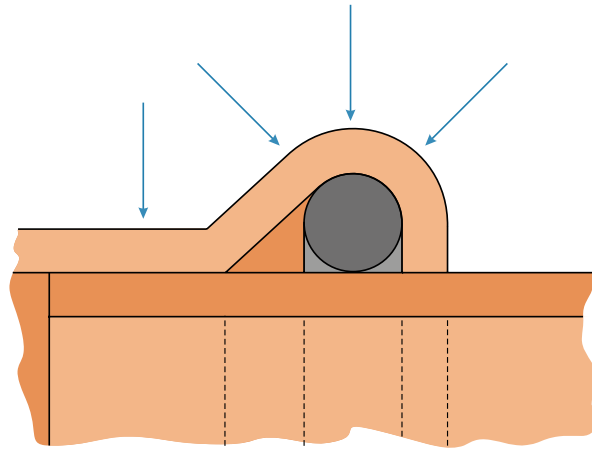
The press connection technology used in System KAN-therm Copper ensures reliable and fast connections by pressing the fittings on the pipe. The assembly is carried out using common press machines, eliminating the process of threading or soldering individual components.

System KAN-therm Copper fittings are made of high-quality Cu-DHP copper and 2.109 bronze.

Joining the elements in the "press" technology allows to obtain connections with a minimized narrowing of the pipe cross-section, which significantly reduces the pressure loss in the whole installation and creates excellent hydraulic conditions.

6.2 Durable connection technology

System KAN-therm Copper leak tightness is ensured by special O-Ring seals and an M-profile crimping at the three main points of the moulded part.



6.3 Applicability

- drinking water installations,
- heating installations,
- cooling installations (closed or open circuits),
- compressed air systems,
- solar installations and heating oil.

6.4 Advantages

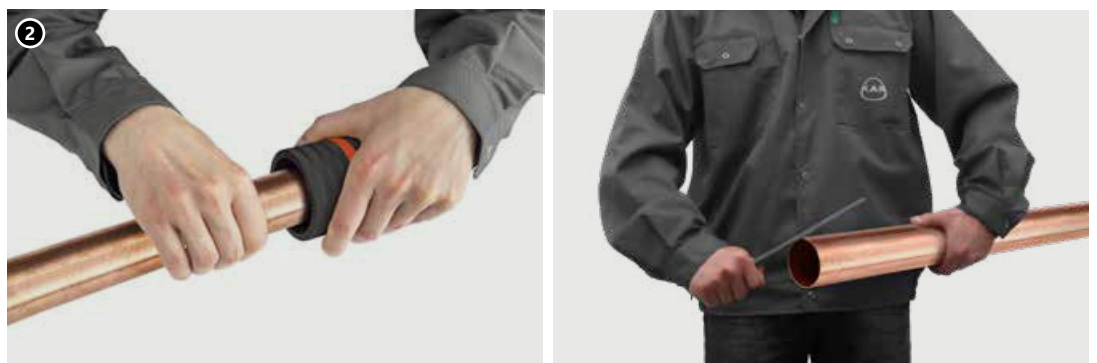
- simple and fast connection technology – “press”,
- the most popular on the market, very accurate, three-point M crimping profile,
- quick and secure assembly, without soldering or threading,
- wide range of diameters 12–108 mm,
- LBP function – in the whole range of diameters,
- special design of the fitting for easy fixing on the pipe,
- high corrosion resistance,
- no fire hazard during installation and operation,
- high aesthetics of the installation.

6.5 Assembly of connections



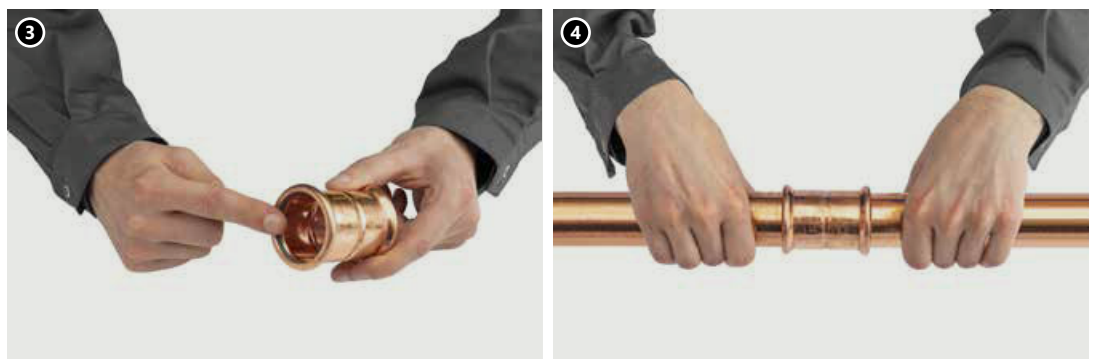
1 Pipe cutting

Cut the pipe perpendicularly to its axis using a roll-cutter (the cut must be full without breaking off the cut pipe sections). It is permissible to use other tools provided that the cutting perpendicularly is maintained and that the cut edges are not damaged in the form of cracks, material losses and other deformations of the pipe cross-section. It is not permitted to use tools that can generate significant amounts of heat, e.g. torches, angle grinders, etc.



2 Chamfering of pipe edges

Using a handheld chamfer (for 66,7–108 mm diameters half-round file), chamfer the tip of the cut pipe inside and out and remove any swarf that may damage the O-Ring during installation.



3 Control

Before installation, the presence of O-Rings in the fitting should be visually checked for damage, as well as for any contamination (swarf or other sharp objects) that may cause damage to the O-Rings during the pipe insertion phase. It is also necessary to make sure that the distance between adjacent fittings is not less than the permissible d_{min} (**page 152 table 1, Fig .1**).

4 Installing the pipe and fitting

Before pressing, the pipe should be inserted axially into the coupling to the specified depth (light rotary motion is permissible). The use of oils, greases and fats to facilitate the insertion of the pipe is prohibited (water or aqueous soap solution is permitted - recommended for pressure testing with compressed air).



5 Mark the insertion depth of the pipe into the fitting

When mounting multiple joints at the same time (sliding pipes into fittings), before pressing next joints, inspect the depth of inserting the pipe into the fitting. To do this, just check if the pipe is inserted into the fitting as far as possible.

In order to achieve the proper strength of the connection, it is necessary to maintain the appropriate depth A (**page 152** table 1, Fig .1) of inserting the pipe into the fitting.

To facilitate the identification of the insertion depth of the pipe into the fitting, a simple technology of marking with a marker can be used (not required in building conditions).

It consists in sliding the pipe into the fitting as far as possible and then making a mark on the pipe, right next to the very edge of the fitting socket. After pressing, this mark must still be visible right at the edge of the fitting.

You can also use special patterns to mark the sliding depth without checking it with the fitting.

! **Note: The patterns to mark the sliding depth are not part of the basic KAN system offer.**

6 Pressing fittings

Before starting the pressing process, check the efficiency of the tools. The use of press jaws and machines supplied as parts of System KAN-therm Copper is recommended.

The size of the pressing jaw must always be selected according to the diameter of the connection to be made. The pressing jaw should be placed on the fitting in such a way that the groove inside the jaw exactly covers the place where the O-Ring is seated in the fitting (convex part of the fitting). Once the press machine been started, the pressing process is automatic and cannot be stopped. If, for some reason, the pressing process is interrupted, the connection must be disassembled (cut out) and a new one must be made in the correct way. If the installer has tools other than supplied by System KAN-therm Copper, the possibility of using them should be consulted with KAN's Technical Department.



7 Pressing of 42-108 mm fittings. Preparation of the jaws.

For pressing larger diameters (42, 54, 66,7, 76,1, 88,9, 108 mm), special Snap-on press collars are used.

The unfolded collar should be placed on the fitting. The jaws have a special groove in which the fitting should fit (the location of the O-Ring seal).



8 After correct seating collar on the fitting, connection is ready for pressing.



9 Connecting press tool to the collar

Press tool with a pre-mounted, suitable adapter must be connected to the collar.

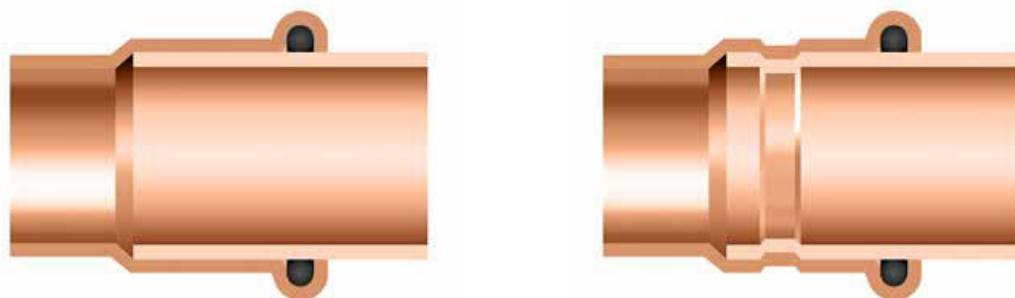
It is essential to ensure that the pressing tool is connected to the collar in accordance with the instructions supplied with the tool.

Press machine may be started to fully press the connection.

10 Pressing

After starting the press tool, the pressing process must not be stopped. If, for some reason, the pressing process is interrupted, the connection must be disassembled (cut out) and a new one must be made in the correct way. After pressing, the press machine automatically returns to its original position. The arms of the pressing tool (adapter) must then be pulled out of the collar. In order to remove the flange from the fitting (for diameters 42–108 mm), it must be unlocked again and then disassembled. Jaws and collars should be stored in suitcases in a secure, locked position.

Fitting before and after pressing



Mounting distances

Table 1. Insertion depth of the pipe into the fitting and minimum distance between the press fittings

Ø [mm]	A [mm]	d _{min} [mm]	c _{min} [mm]
12	17	10	40
15	20	10	40
18	20	10	40
22	21	10	40
28	23	10	60
35	26	10	70
42	30	20	70
54	35	20	70
66,7	50	30	80
76,1	50	55	80
88,9	64	65	90
108	64	80	100

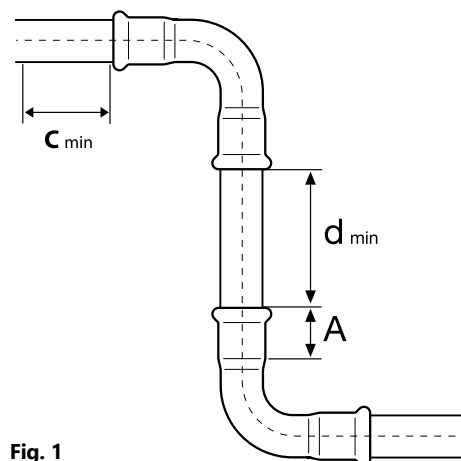


Fig. 1

A – insertion depth of the pipe into the fitting,
d_{min} – minimum distance between fittings
c_{min} – minimum distance of the fitting from the wall

Table 2. Minimum installation distances

Ø [mm]	Fig. 2		Fig. 3		
	a [mm]	b [mm]	a [mm]	b [mm]	c [mm]
12-15	56	20	75	25	28
18	60	20	75	25	28
22	65	25	80	31	35
28	75	25	80	31	35
35	75	30	80	31	44
42	115*	75*	115*	75*	75
54	120*	85*	120*	85*	85
66,7	145*	110*	145*	100*	100
76,1	140*	110*	165*	115*	115
88,9	150*	120*	185*	125*	125
108	170*	140*	200*	135*	135

*Applies to collars

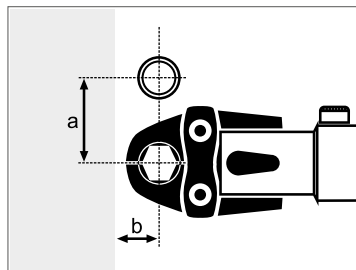


Fig. 2

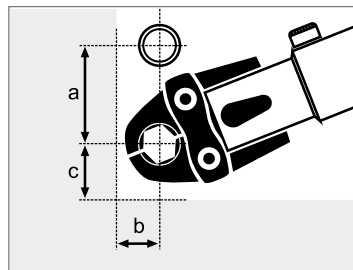


Fig. 3

6.6 Tools

Depending on the mounted diameter, System KAN-therm provides different tool configurations. In order to select an optimal set of tools, use the following selection table:

Table 3. Tool selection table: System KAN-therm Copper

Manufacturer	Type of crimping pliers		Diameter [mm]	Jaws/Pressing chains		Adapter	
	Description	Code		Description	Code	Description	Code
NOVOPRESS	ACO203XL EFP203 *	1948267181 1948267210	12*	[J] M	1948267134	-	-
			15*	[J] M	1948267135	-	-
			18*	[J] M	1948267137	-	-
			22*	[J] M	1948267139	-	-
			28*	[J] M	1948267141	-	-
			35*	[J] M	1948267143	-	-
			42*	M	1948267119	ZB201 ZB203	1948267000
			54*	M	1948267121		
			66,7	M	1948267089		
			76,1	M	1948267145	ZB221	1948267005
	88,9	M	1948267044				
	108 × 1,5**	M	1905267017				
				ZB221 ZB222	1948267005 1948267007		
			108 × 2,0**	M	1948267038		
	REMS	ACO102 ACO103	1948055007 1948267208	12	[J] M	1936267268	-
15				[J] M	1948267093	-	-
18				[J] M	1948267095	-	-
22				[J] M	1942121002	-	-
28				[J] M	1948267097	-	-
35				[J] M	1942121004	-	-
Power Press SE Aku Press Power Press ACC		1936267160 1936267152 1936267219	12	[J] M	1948267046	-	-
			15	[J] M	1948267048	-	-
			18	[J] M	1948267052	-	-
			22	[J] M	1948267056	-	-
			28	[J] M	1948267061	-	-
			35	[J] M	1948267065	-	-
			42	[J] M	1948267067	-	-
54	[J] M	1948267069	-	-			

[J] – two segment jaw, other elements are collars and require cooperation with an adapter

** Collar 108 × 1,5 use exclusively with 108 × 1,5 mm pipes

Collar 108 × 2,0 use exclusively with 108 × 2,0 mm pipes

NOVOPRESS tools:

- 1. Press machine ACO 102
- 2. Press machine ACO 103
- 3. Jaw PB1 M15–28 mm



- 1. Press machine ACO203XL
- 2. Jaws PB 2 M12–35 mm
- 3. Collars M 35–108 mm Snap On



- 4. Adapter ZB 203
- 5. Adapter ZB221, ZB222



- 1. Press machine EFP203
- 2. Jaws PB2 M12–28 mm
- 3. Collars M 35–54 mm Snap On



- 4. Adapter ZB203



REMS tools:

1. Press machine Power Press ACC
2. Press machine Aku Press
3. Press machine Power Press SE
4. Jaws M12–35 mm
5. Jaws M42–54 mm



6.7 Tools – Safety

All tools must be used in accordance with their intended use and the manufacturer's operating instructions. Use for any other purpose is deemed to be improper. Intended use also requires observance of the operating instructions, the inspection and maintenance conditions and the relevant safety regulations in their current version. Any work using this tool that does not correspond to the intended use can lead to tool, accessories and pipes damage. The consequence may be leaks and/or damage to the connection point between the pipe and the fitting.

6.8 LBP function

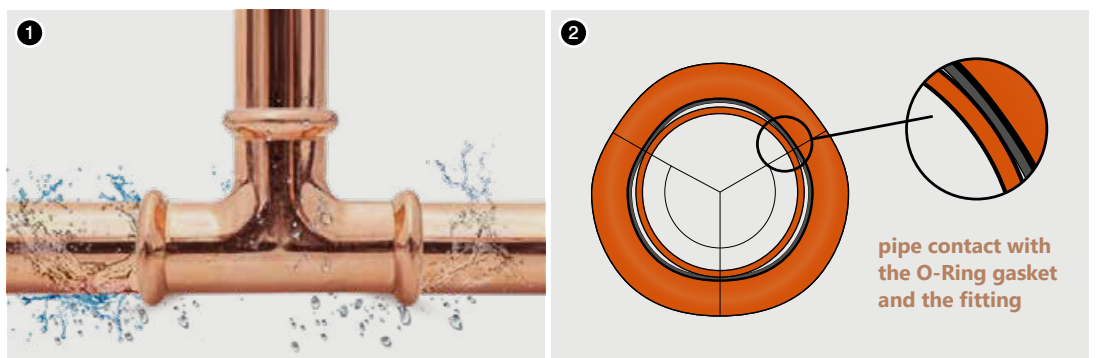
All System KAN-therm Copper fittings in the range of diameters 12–108 mm have the function of LBP (signalling of unpressed connections – “unpressed leaky” - LBP - Leak Before Press). The LBP function is realized by a proper construction of a fitting (body ovalization).

! NOTE:

According to DVGW guidelines, the LBP function can be seen as controlled leakage at a pressure of:

- 1,0 to 3,0 bar in compressed air installations,
- 1,0 to 6,5 bar in installations filled with water.

1. Signalling of unpressed connections LBP
2. The LBP function is performed by fitting body ovalization



6.9 Detailed information

Fittings - material

- copper Cu-DHP (CW024A) and bronze 2.109.

Pipes - Material and Compliance

System KAN-therm Copper consists of fittings only. Therefore, the pipes used in cooperation with the System must meet specific requirements and have the appropriate properties:



- copper pipes according to EN 1057 R220/R250/R290.

Table 4. Copper pipes approved for use with System KAN-therm Copper

Ø [mm]	Wall thickness [mm]									
	0,6	0,7	0,8	0,9	1,0	1,1	1,2	1,5	2,0	2,5
12	R250				R220					
15		R250			R220 R250 R290					
18					R250 R290					
22				R250	R250 R290	R220				
28				R250	R290		R250	R290		
35					R290		R250 R290	R290		
42					R290		R250 R290	R290		
54					R290		R250 R290		R290	
66,7							R250 R290		R290	
76,1								R250 R290	R290	
88,9									R290	
108								R250 R290	R290	

The values in the table refer to tensile strength (220, 250 and 290 N/mm²). A distinction is made between soft, medium-hard and hard tubes, R220, R250 and R290 respectively. The higher the value, the harder the pipe material is.

O-Rings

Name of the O-Ring	Properties and operating parameters	Application for seals
EPDM (black) 	<ul style="list-style-type: none"> ■ max. operating pressure 16 bar (10 bar for compressed air) ■ operating temperature -20 °C to +110 °C ■ short term +135 °C 	<ul style="list-style-type: none"> ■ drinking water ■ central heating ■ cooling water (closed and open systems) ■ compressed air (oil content up to 25 mg/m³) ■ marine installations
FPM (green) 	<ul style="list-style-type: none"> ■ max. working pressure 16 bar ■ operating temperature -20 °C to +200 °C ■ short term +230 °C 	<ul style="list-style-type: none"> ■ solar installations* ■ compressed air ■ inert gas installations ■ diesel oil transport installations ■ Note!!! Do not use in clean hot water installations.

*use in the parameter range in accordance with PN EN 1254-2. Working temp. ≤ +120 °C, max. working pressure 16 bar for Ø ≤ 54 mm, 10 bar for Ø > 54 mm



Copper fittings are fitted with O-Rings EPDM as standard, FPM seals must be completed separately.

For special applications such as oil containing or high temperature media, FPM O-Rings are supplied separately. If it is necessary to replace standard EPDM O-Rings with FPMs, reuse of dismantled O-Rings is prohibited. Applications outside the scope of indoor hot and cold water or heating systems should be consulted with KAN's Technical Department on a case-by-case basis.

6.10 Data on elongation and thermal conductivity

Type of material	Thermal expansion coefficient	4 m segment expansion at 60 °C temperature difference	Thermal conductivity
	[mm/(m × K)]	[mm]	[W/(m ² × K)]
Copper	0,0170	1,02	397

6.11 Recommendations for use

- System KAN-therm Copper fittings made of copper Cu-DHP and bronze 2.109 cannot be used in installations that will be exposed to additional mechanical loads (e.g. hanging on pipelines, devastation, etc.),
- Copper pipes according to EN 1057 and DVGW-GW 392 must not be bent "hot" due to the risk of corrosion. "Cold" bending is permitted provided that the minimum bending radius $R=3,5 \times D_{ext}$ is maintained,
- It is not recommended to bend pipes over 54 mm in diameter,
- It is recommended to use ready-made bends and elbows 90° and 45° angle as part of System KAN-therm Copper,
- To cut pipes, do not use tools that can generate significant amounts of heat, e.g. torches, angle grinders, etc. Roll-cutters (manual and mechanical) are used to cut copper pipes,
- In case of running pipelines inside of building partitions, pipelines should be insulated, due to compensation of thermal elongations and protection against building chemistry. To avoid external corrosion, make sure that the insulation materials do not contain any traces of ammonia or nitrate,
- When using external heat sources (e.g. heating cables) to heat the pipe wall, the pipe wall temperature must not exceed 60 °C,

- If you are transporting a medium other than those included in this technical catalogue, the possibility of using System KAN-therm Copper should be consulted with the KAN's Technical Department,
- Installations made in System KAN-therm Copper must be electrically connected and grounded,
- Pipes intended for water installations that are to be built into partitions (e.g. walls or floors) must always have a shell/sleeve made of suitable material to ensure that the pipe does not come into contact with the building structure (due to noise problems).

6.12 Threaded connections, connection to other KAN-therm systems

System KAN-therm Copper offers a full range of connectors with male and female threads. Since there are conical threads in the fittings, it is suggested to use only male threads sealed with tow in the threaded connections for brass fittings.

In order not to strain pressed connection, it is recommended to make a threaded connection before pressing the connector.

Thread sealing

For threaded connections, use such amount of tow so that the thread peaks are still visible. If you use too much tow, the thread can be destroyed. Wrapping the tow just after the first thread reel avoids oblique screwing and damage to the thread.



Note:

Do not use chemical sealants or adhesives.

System KAN-therm Copper components can be combined (through thread or flange connections) with components made of other materials (see table below).

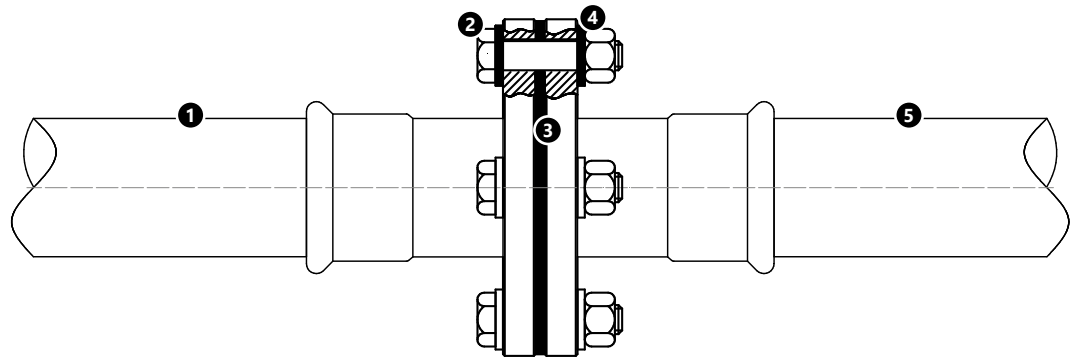
Possibilities of combining System KAN-therm Copper with other materials

Type of installation		Pipes/fittings			
		Copper	Bronze/Brass	Carbon steel	Stainless steel
Copper	enclosed	yes	yes	yes	yes
	open	yes	yes	no	yes

Please note that direct joining of copper parts with stainless steel and galvanized carbon steel parts can lead to contact corrosion.

You can eliminate this process by using separable threaded connections (threaded fittings of System KAN-therm Copper are made of brass and bronze – their direct contact with stainless of carbon steel is acceptable) and separable flange connections using elastomer sealing.

1. System KAN-therm Copper.
2. Stainless steel flange bolt and nut.
3. Elastomer or fibre sealing.
4. Metal washer with plastic casing.
5. System KAN-therm Steel, System KAN-therm Inox or any traditional steel system.



6.13 Flange connections



Selection table for Copper flange connections

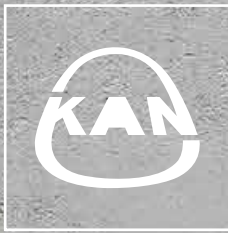
Code	Size	Number of bolts/nuts	Screw size	Screw class	Nut class	Number of washers	Collar	Flat seal
2265091000	66,7 DN65 PN16	4	M16	8,8	8	8	DN65	DN65 EPDM
2265091004	76,1 DN65 PN16	4	M16	8,8	8	8	DN65	DN65 EPDM
2265091001	76,1 DN80 PN16	8	M16	8,8	8	16	DN65	DN65 EPDM
2265091002	88,9 DN80 PN16	8	M16	8,8	8	16	DN80	DN80 EPDM
2265091003	108 DN100 PN16	8	M16	8,8	8	16	DN100	DN100 EPDM

6.14 Transport and storage

- Elements of the KAN-therm Copper must be stored separately from other metal systems.
- Do not store elements of the system directly on the ground (e.g. on soil or concrete).
- Do not store elements of the system in the vicinity of chemical solutions.
- During transport, loading and unloading, be extra careful not to scratch or damage the pipes or fittings – do not throw, drag or bend them.
- Rooms designed for storing elements of the system must be dry.
- During their storage, assembly and use, products surfaces must not be exposed to long-term, direct contact with water or humidity.



Detailed information about storage and transport of components can be found at www.kan-therm.com.



Install your **future**



SYSTEM **KAN-therm**

Cabinets and manifolds

Quality and reliability

Table of contents

7	Manifolds and cabinets for radiator heating and potable water systems	
7.1	KAN-therm InoxFlow manifolds	163
7.2	Installation cabinets	164

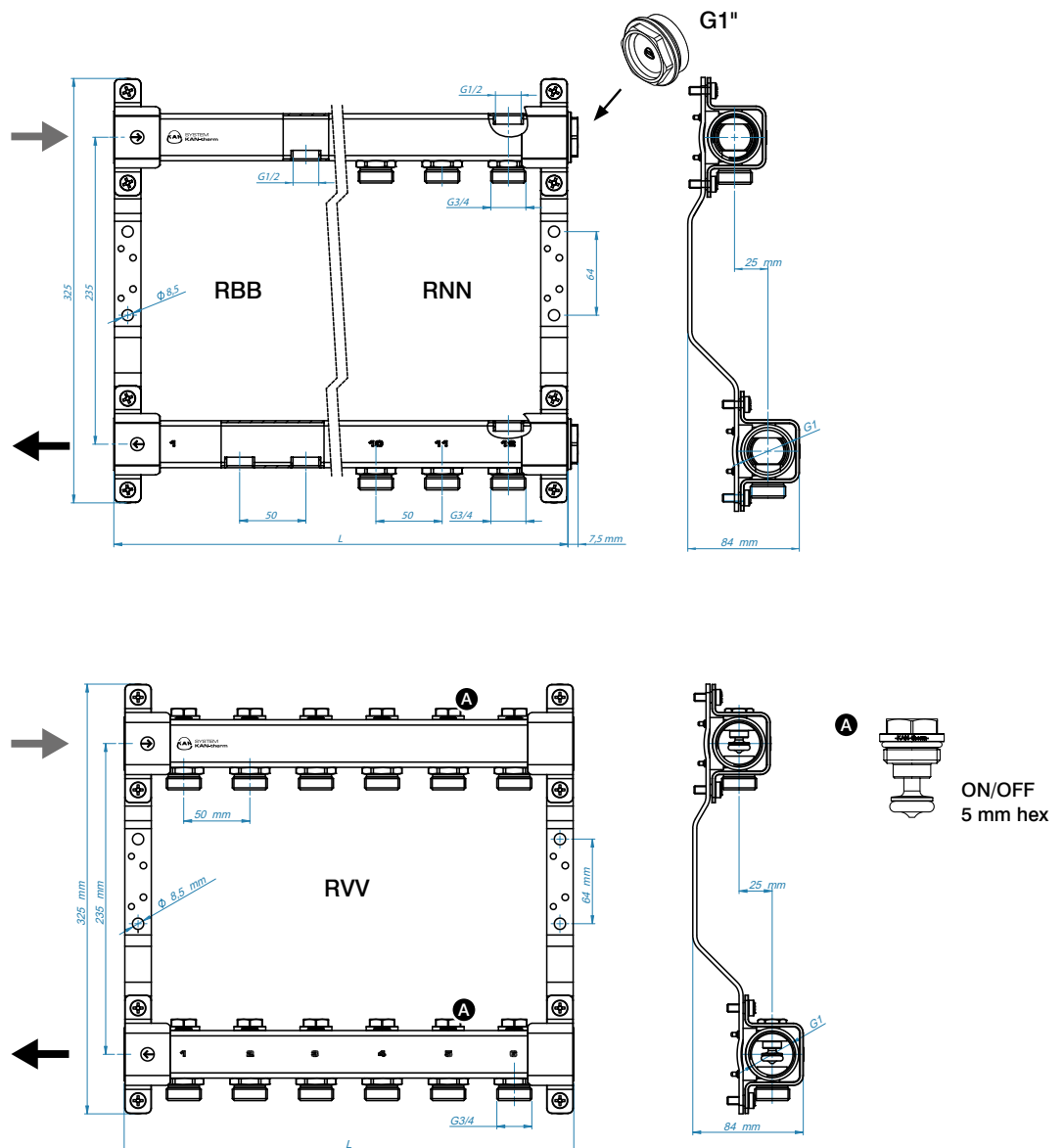
7 Manifolds and cabinets for radiator heating and potable water systems

7.1 KAN-therm InoxFlow manifolds

System KAN-therm offer includes InoxFlow manifolds made of stainless steel 1.4301 (AISI 304) with a 1 1/4" profile. These manifolds consist of two beams (supply and return) with installation connections GW 1" and two clamps equipped with elastomer inserts damping vibrations. The complementary fittings used are made of non-nickel CW617N brass.

These manifolds can operate at 10 bar pressure and a temperature of 80 °C ($T_{max} = 90 \text{ °C}$).

It is allowed to use both treated water and written-approved antifreeze mixtures based on glycol solutions with a concentration of $\leq 50\%$.



Depending on the equipment used, these manifolds are divided into series:



	L [mm]		
2	140 +7,5	140 +7,5	140
3	190 +7,5	190 +7,5	190
4	240 +7,5	240 +7,5	240
5	290 +7,5	290 +7,5	290
6	340 +7,5	340 +7,5	340
7	390 +7,5	390 +7,5	390
8	440 +7,5	440 +7,5	440
9	490 +7,5	490 +7,5	490
10	540 +7,5	540 +7,5	540
11	590 +7,5	590 +7,5	590
12	640 +7,5	640 +7,5	640

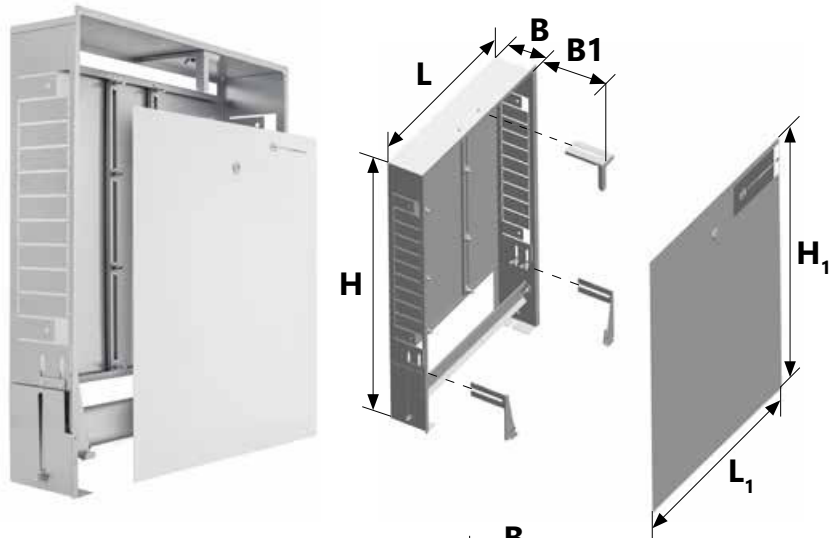
- | | | | |
|------------------|---|--|---|
| Equipment | <ul style="list-style-type: none"> ■ female 1/2" threads as outputs for individual circuits, ■ 1/2" hole in the upper part of the beams for the vent, ■ 1" plugs at the right side of the beams. | <ul style="list-style-type: none"> ■ G3/4" nipples with 50 mm spacing as outputs for individual circuits, ■ 1/2" hole in the upper part of the beams for the vent, ■ 1" plugs at the right side of the beams. | <ul style="list-style-type: none"> ■ G3/4" nipples with 50 mm spacing as outputs for individual circuits with additionally equipped with shut-off valves, ■ open beams on both sides. |
|------------------|---|--|---|

7.2 Installation cabinets

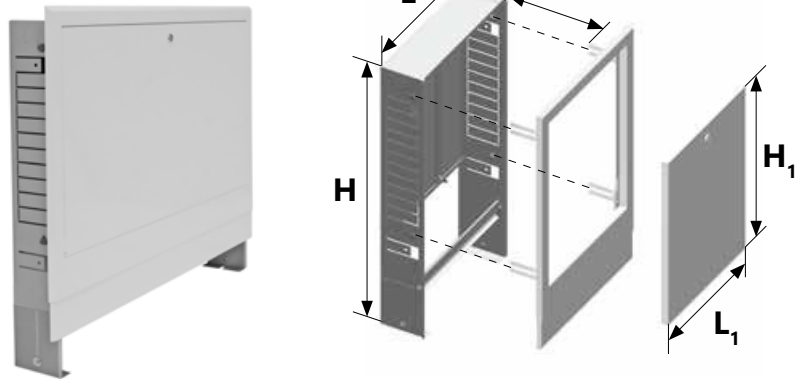
The manifolds are most often placed in installation cabinets in order to hide and protect them from non-authorized persons. KAN-therm offer includes both surface-mounted cabinets (mounted on the face of the walls) and recess-mounted cabinets (mounted in a previously prepared wall groove). All cabinets are made of galvanized sheet metal on both sides and covered with a durable varnish layer in RAL 9016 (white). Recess-mounted cabinets are additionally secured with a layer of protective foil. All cabinets are equipped with coin / screwdriver locks.

Recess-mounted cabinets

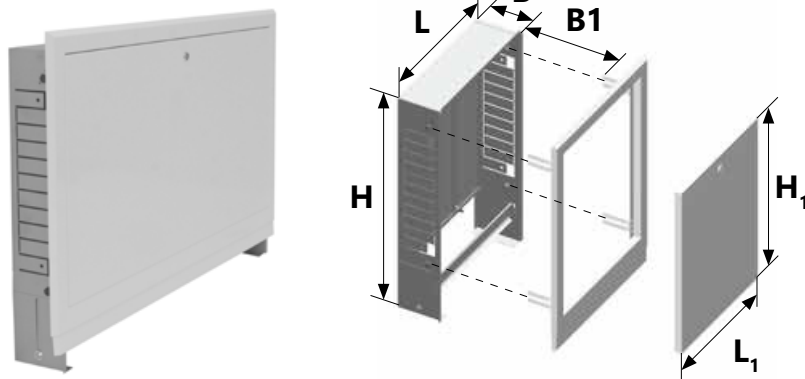
Slim



SWPS



SWPSE

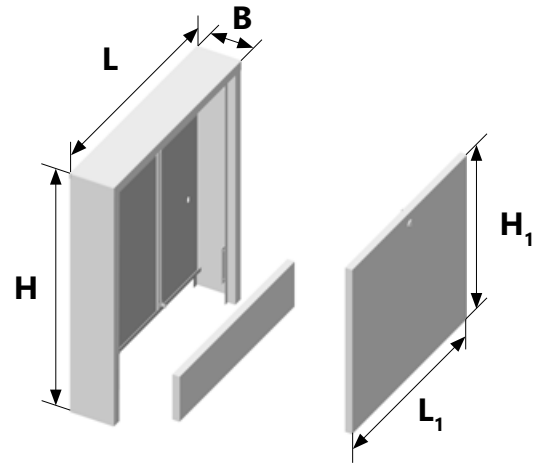


Type	Dimension [mm]						Number of circuits of InoxFlow manifold	
	L	H	B	L1	H1	B1	-	set*
Slim								
Slim 350	350			418			5	3
Slim 450	450			518			7	5
Slim 580	580	560 - 660	110 - 160	648	595 - 725	112 - 162	9	7
Slim 780	780			848			13	11
Slim 930	930			998			13	12
SWPS								
SWPS-4	350			340			5	3
SWPS-6	450			440			7	5
SWPS-10/3	580	680 - 780	110	570	434	0 - 50	9	7
SWPS-13/7	780			770			13	11
SWPS-15/10	930			920			13	12
SWPSE								
SWPSE-4	350			340			5	3
SWPSE-6	450			440			7	5
SWPSE-10/3	580	680 - 780	110	570	434	0 - 50	9	7
SWPSE-13/7	780			770			13	11
SWPSE-15/10	930			920			13	12

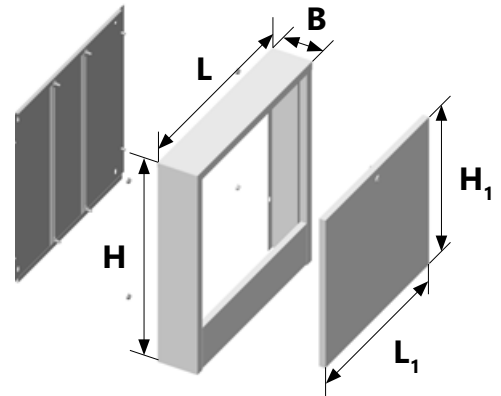
* valves and vents

Surface mounted cabinets

SWN

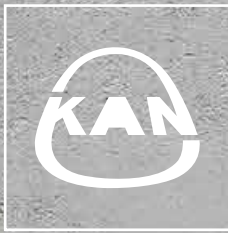


SWNE



Type	Dimension [mm]					Number of circuits of InoxFlow manifold		
	L	H	B	L1	H1	-	set*	
SWN	SWN-4	350	630	110	297	434	5	3
	SWN-6	450			397		7	5
	SWN-8	550			497		9	7
	SWN-10	650			597		11	9
	SWN-13	800			747		12	12
SWNE	SWNE-4	350	585	110	297	434	5	3
	SWNE-6	450			397		7	5
	SWNE-8	550			497		9	7
	SWNE-10	650			597		11	9
	SWNE-13	800			747		13	12

* valves and vents



Install your future



SYSTEM **KAN-therm**

Guidelines for installation design and assembly

Table of contents

8	Guidelines for installation design and assembly	
8.1	Assembly of KAN-therm System at temperatures below 0 °C	169
8.2	Mounting KAN-therm System pipelines	171
	Clamps and hangers	171
	PP shifting points	172
	PS fixed points	172
	Passages through structural partitions	174
	Support spans	175
8.3	Compensation of thermal elongation of pipelines	177
	Linear thermal elongation	177
	Compensation of elongations	181
	Flexible arm	181
	Compensators in KAN-therm System installations	185
	Z-shaped compensator	185
	Bellows compensators for KAN-therm Steel/Inox steel pipe installations	186
	Principles of compensating for installation riser – horizontal elongations	191
	Compensation of sub-plaster/sub-flooring installation elongations	192
8.4	Principles of laying KAN-therm installations	192
	On-plaster installations – risers and horizontal pipelines	192
	Conducting KAN-therm installations in structural partitions	193
	Laying steel KAN-therm pipes	194
	Layout of KAN-therm installation	195
	Distribution layout	195
	Tee system	196
	Manifold – tee system (mixed)	196
	Loop system	197
	“Vertical” system	197
8.5	Connecting installation made of plastic pipes to the heat sources	198
	Radiator connections	198
	Side-fed radiators – on-plaster installation	198
	Side-fed radiators – sub-plaster installation	199
	Bottom-fed radiators – sub-plaster installation	199
	Union connectors for metal pipes	199
	Water supply device connections	200
	Radiator connections	201
	Tap connections	206
8.6	Compressed air installations in System KAN-therm	209
8.7	Rinsing, tightness tests and disinfection of KAN-therm installations	210
8.8	System KAN-therm installation disinfection	212

8 Guidelines for installation design and assembly

8.1 Assembly of KAN-therm System at temperatures below 0 °C

The standard assembly of plastic KAN-therm System should be conducted at ambient temperatures above 0 °C. Guidelines given in the previous chapters of this guide should be observed.

Due to the changing weather conditions and ambient temperature which may occur on-site installation, in specific cases, it is permissible to perform assembly of plastic KAN-therm systems at an ambient temperature reaching up to -10 °C (assembly of KAN-therm Steel, KAN-therm Inox and KAN-therm Copper systems is normally permissible at ambient temperature -10 °C).



However, note the additional guidance necessary for the proper submission of the installation.

KAN-therm UltraLine

- pay special attention to cutting tools for pipes - use only efficient pipe shears with clean, sharp cutting blades, keep cutting perpendicularly to pipe axis,
- before expansion, pipe ends must be heated with hot water or air – pay special attention not to exceed 90 °C temperature of the pipe wall, **do not use open flame**,
- due to the increased stiffness of the multilayer pipe, it may be necessary to cut approximately 5 cm of the tip of the tube unwound from the coil (issue does not affect pipes supplied in bars).

KAN-therm Push and KAN-therm Push Platinum:

- pay special attention to cutting tools for pipes - use only efficient pipe shears with clean, sharp cutting edges, keep cutting perpendicularly to pipe axis,
- before expansion, pipe ends must be heated with hot water or air – pay special attention not to exceed 90 °C temperature of the pipe wall, **do not use open flame**,
- due to the increased stiffness of the Platinum pipe, it may be necessary to cut approximately 5 cm of the tip of the tube unwound from the coil.

KAN-therm Press and Press LBP:

- pay special attention to pipe cutting tools - use only sharp scissors or pipe cutters with clean, sharp cutting edges, maintain cut perpendicular to pipe axis,
- perform calibration and edges chamfering of pipes for all connections (including LBP fittings),
- due to the increased stiffness of the multilayer pipe, it may be necessary to cut approximately 5 cm of the tip of the tube unwound from coils (issue does not affect pipes supplied in bars).

KAN-therm PP:

- pay special attention to pipe cutting tools - use only sharp scissors or pipe cutters with clean, sharp cutting edges, maintain cut perpendicular to pipe axis,
- pay special attention not to stress mechanically Glass fibre pipes,
- secure place of welding pipes and fittings from increased movements of air masses (secure from additional cooling by wind),
- strictly comply elongated by 50% time of heating the elements while observing the degree of plasticity of the heated material,
- for PP Glass composite pipes, it is recommended to cut the end of each bar by approx. 5 cm.

KAN-therm Steel:

- protect built system against the possibility of condensation inside the elements,
- in case of necessity of the pressure test at ambient temperatures below 0 °C, carry out test only on compressed air (draining is unacceptable after the pressure test of the system). Make sure that the compressed air does not contain excessive moisture (max. 880 mg/m³) and oil (max. 25 mg/m³).

Additionally, during the installation of all piping systems:

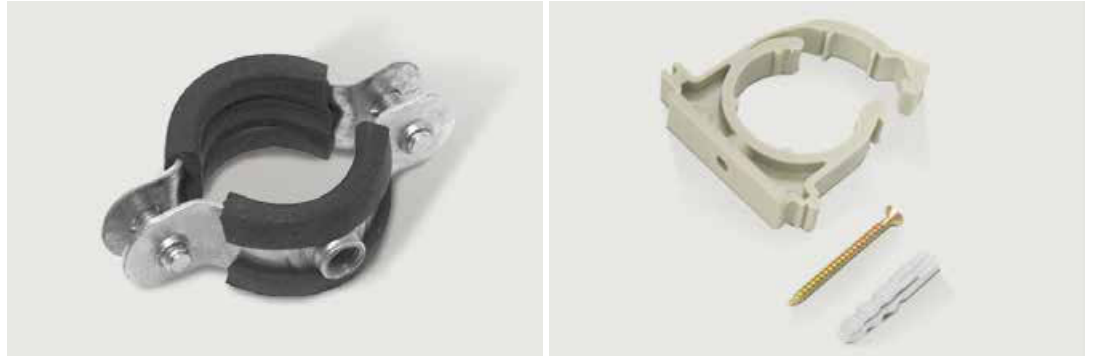
- read the terms of use of KAN-therm elements and installation tools,
- always avoid improper method of elements transportation or their mechanical stress,
- note the ambient environment temperature during assembly for correct calculations of thermal elongation and selection of expansion arms,
- follow the guidelines of power tools manufacturers according to the minimum operating temperature and required additional operations, it is prohibited to use power tools if water vapour condensation is possible,
- carry out pressure tests of installation using antifreeze agents – e.g. glycol-based mixtures approved by KAN Technical Department, in case where there is possibility of medium freezing, immediately after the test, drain the whole installation (NOTE – unacceptable for System KAN-therm Steel) or carry out pressure tests with dry compressed air (without oil content).

8.2 Mounting KAN-therm System pipelines

Clamps and hangers

KAN offers various types of clamps for mounting KAN-therm System pipes to structural partitions. Their structures depend on the diameter of the pipe and its construction material, the working parameters of the installation and its layout.

Clamps used in the KAN-therm System



Clamps are made of plastic or metal. Plastic clamps must be used only as shifting points for KAN-therm UltraLine, Push, Press and PP.

For pipelines laid in floor slabs or wall furrows, use plastic hooks and clamps with wall plugs.

Clamps for mounting KAN-therm UltraLine, Push, Press and PP System pipes in floor slabs



Metal grips (zinc plated steel) are equipped with elastic pads leveling out vibrations and noises. Such grips may serve as shifting points (PP) and fixed points (PS) in all KAN-therm installations with on-plaster mount. Metal clamps without elastic pads might damage the surface of plastic KAN-therm pipes or the protective zinc coating of Steel pipes, this is why they cannot be used.

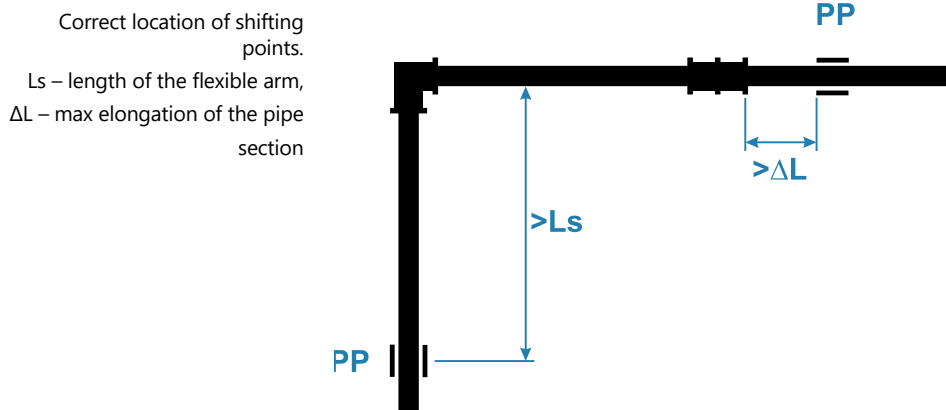
In the case of KAN-therm Inox pipes, clamp pads should not contain chlorides. Do not use pipe hooks for KAN-therm Steel systems.

Shifting and fixed point clamps are not to be mounted on joints.

PP shifting points

Shifting (sliding) points should allow unobstructed axial motion of pipelines (caused by the thermal elongation factor), which is why they should not be mounted next to joints (the minimal distance from the edge of a joint must be higher than the maximal elongation of the pipe section ΔL).

When changing the direction of the pipeline, a shifting point may be mounted at distance to the elbow, exceeding the length of the L_s flexible arm.



PS fixed points

Fixed points allow pointing thermal elongations of a pipeline in a specific direction, and dividing it into smaller sections.

To form fixed points (PS) use zinc-plated steel clamps with elastic pads, ensuring precise and reliable stabilization of the pipe on its entire circumference. The clamp should fully and tightly enclose the pipe. It is acceptable to use different clamps, as long as their construction does not cause damage to installation elements and at the same time makes it possible to fasten a pipeline section permanently. The structure of clamps should allow the transfer of forces incurred by the pipe expanding and loads caused by the weight of the pipe and its content onto the clamp.

The structures mounting the clamps on structural partitions must also be strong enough to bear the above mentioned loads. To select installation slings correctly, contact their supplier.

To form a fixed point on the pipeline, use two clamps adjoining the edges of the joint (tee, connector, coupling) or a single clamp located between two fittings adjoining to it. Fixed points are usually mounted next to pipeline of fixture branch-offs.

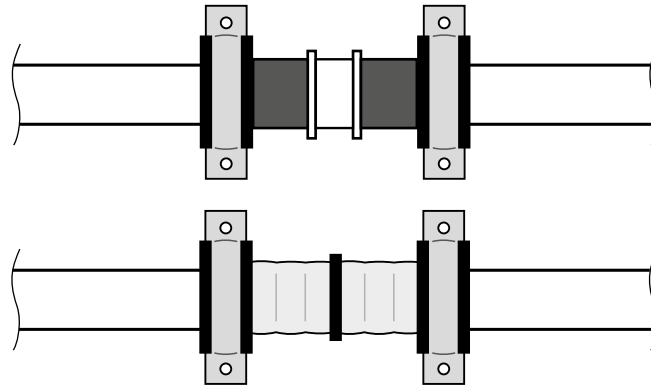
The assembly of a fixed point at a branch-off of a reducer is possible if the diameter of the branch-off is not smaller than one-dimension of the diameter of the main pipe.

In the case of polypropylene KAN-therm PP pipelines, use one clamp situated in between fitting couplings.

Other solution for the implementation of fixed points is also allowed, provided that the circumferential clamping force ensures no axial movement of the pipelines while at the same time securing the installation pipes against mechanical damage.

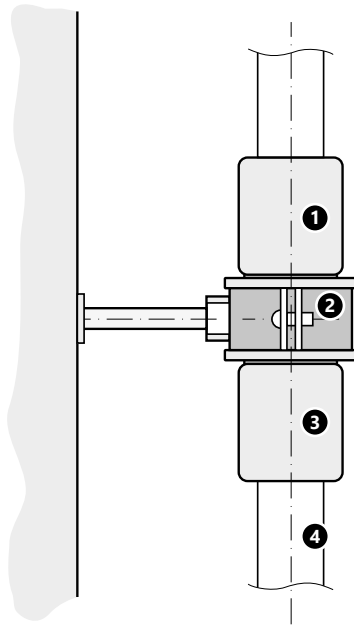
The arrangement of fixed points results from the adopted solution of thermal elongation compensation of the installation and should be included in the technical design.

Example of execution of a fixed point on a straight section of a KAN-therm UltraLine, Press, Push System pipeline



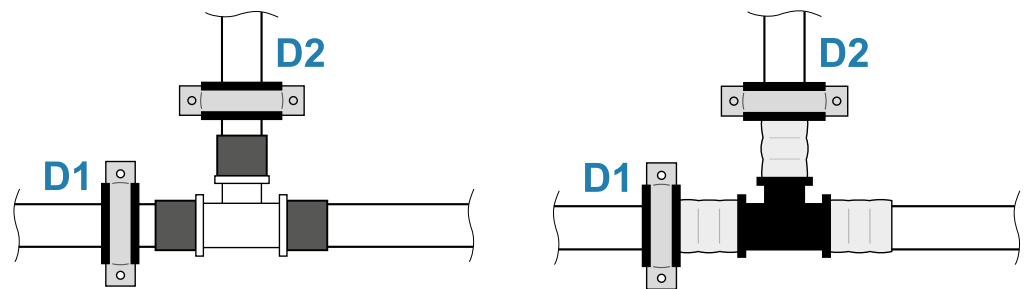
Example of execution of a fixed point on a straight section of a KAN-therm PP System pipeline

1. coupling
2. clamp
3. coupling
4. pipe



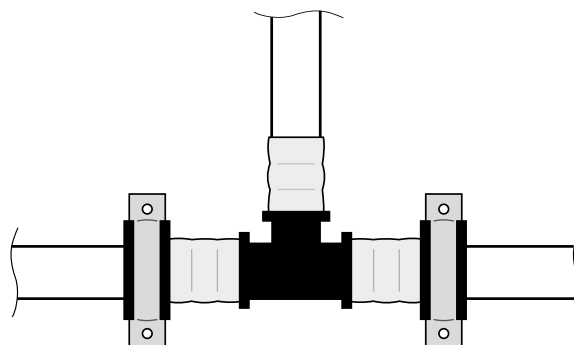
$D2 \geq D1$

Example of execution of a fixed point next to a branch-off of a KAN-therm UltraLine, Press, Push System pipeline



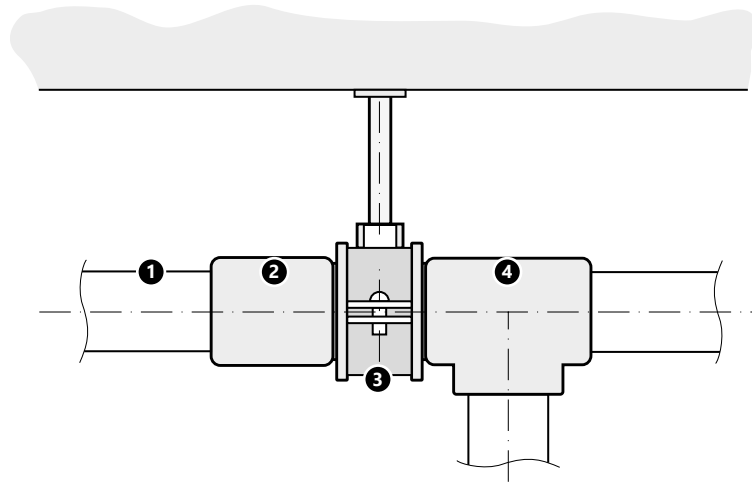
$D2 < D1$

Example of execution of a fixed point next to a branch-off of a KAN-therm UltraLine, Press and Push System pipeline

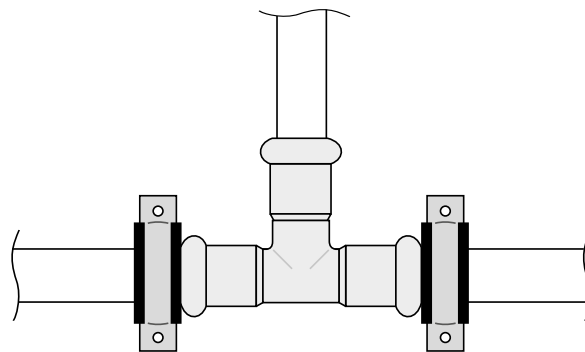


Example of execution of a fixed point next to a branch-off of a KAN-therm PP System pipeline

- 1. pipe
- 2. coupling
- 3. clamp
- 4. three-way



Example of execution of a fixed point next to a branch-off of a KAN-therm Steel/Inox/Copper.

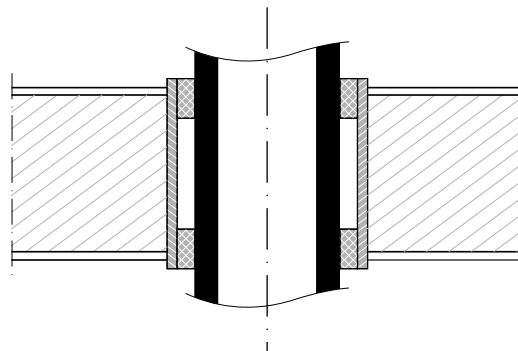


Passages through structural partitions

Passages of all KAN-therm Systems (UltraLine, Push, Press, PP, Steel, Inox and Copper) through structural partitions must be executed in protective sleeves made of material which does not damage the surface of pipes (e.g. thin-walled plastic pipes). The sleeve must be filled with permanently flexible material, which does not have any negative effect on pipe material.

In passages through fire partitions, use system passages with an appropriate fire resistance class.

Passage of a KAN-therm pipe through a structural partition



Support spans

Maximum distances between supports for KAN-therm System pipelines conducted at the surface of structural partitions and structures are provided in the tables. Fixed points, shifting points and passages through structural partitions in protective sleeves are considered supports.

Maximum support span [m] Multilayer PERTAL² UltraLine pipes

Pipe layout	External pipe diameter [mm]				
	14	16	20	25	32
vertically	1,5	1,5	1,7	1,9	2,1
horizontally	1,2	1,2	1,3	1,5	1,6

Maximum support span [m] Uniform PERT², PE-X UltraLine pipes

Pipe layout	External pipe diameter [mm]		
	14	16	20
vertically	0,5	0,6	0,7
horizontally	0,4	0,5	0,6

Maximum support span [m] Multilayer KAN-therm Press and KAN-therm Push Platinum pipes

Pipe layout	External pipe diameter [mm]							
	14	16	20	25/26	32	40	50	63
vertically	1,5	1,5	1,7	1,9	2,1	2,2	2,6	2,8
horizontally	1,2	1,2	1,3	1,5	1,6	1,7	2,0	2,2

Maximum support span [m] KAN-therm Push PE-RT, PE-X pipes

Pipe layout	External pipe diameter [mm]				
	12	14	18	25	32
vertically	1,0 (0,5)	1,0 (0,5)	1,0 (0,7)	1,2 (0,8)	1,3 (0,9)
horizontally	0,8 (0,4)	0,8 (0,4)	0,8 (0,5)	0,8 (0,6)	1,0 (0,7)

In brackets values for hot water

Maximum support span [m] KAN-therm PP (uniform) pipes

Medium temp. [°C]	External pipe diameter [mm]									
	16	20	25	32	40	50	63	75	90	110
20	0,50	0,60	0,75	0,90	1,00	1,20	1,40	1,50	1,60	1,80
30	0,50	0,60	0,75	0,90	1,00	1,20	1,40	1,50	1,60	1,80
40	0,50	0,60	0,70	0,80	0,90	1,10	1,30	1,40	1,50	1,70
50	0,50	0,60	0,70	0,80	0,90	1,10	1,30	1,40	1,50	1,70
60	0,50	0,55	0,65	0,75	0,85	1,00	1,15	1,25	1,40	1,60
80	0,50	0,50	0,60	0,70	0,80	0,95	1,05	1,15	1,25	1,40

For vertical pipeline sections, support span may be increased by 30%

Maximum support span [m] KAN-therm PP Stabi Al pipes

Medium temp. [°C]	External pipe diameter [mm]									
	16	20	25	32	40	50	63	75	90	110
20	1,00	1,20	1,30	1,50	1,70	1,90	2,10	2,20	2,30	2,50
30	1,00	1,20	1,30	1,50	1,70	1,90	2,10	2,20	2,30	2,40
40	1,00	1,10	1,20	1,40	1,60	1,80	2,00	2,10	2,20	2,30
50	1,00	1,10	1,20	1,40	1,60	1,80	2,00	2,10	2,20	2,10
60	0,80	1,00	1,10	1,30	1,50	1,70	1,90	2,00	2,10	2,00
80	0,70	0,90	1,00	1,20	1,40	1,60	1,80	1,90	2,00	2,00

For vertical pipeline sections, support span may be increased by 30%

Maximum support span [m] KAN-therm PP Glass pipes

Medium temp. [°C]	External pipe diameter [mm]								
	20	25	32	40	50	63	75	90	110
0	1,20	1,40	1,60	1,80	2,05	2,30	2,45	2,60	2,90
20	0,90	1,05	1,20	1,35	1,55	1,75	1,85	1,95	2,15
30	0,90	1,05	1,20	1,35	1,55	1,75	1,85	1,95	2,10
40	0,85	0,95	1,10	1,25	1,45	1,65	1,75	1,85	2,00
50	0,85	0,95	1,10	1,25	1,45	1,65	1,75	1,85	1,90
60	0,80	0,90	1,05	1,20	1,35	1,55	1,65	1,75	1,80
70	0,70	0,80	0,95	1,10	1,30	1,45	1,55	1,65	1,70

For vertical pipeline sections, support span may be increased by 30%

Maximum support span [m] KAN-therm Steel/Inox pipes

Pipe layout	External pipe diameter [mm]												
	15	18	22	28	35	42	54	66,7	76,1	88,9	108	139	168
vertically/ horizontally	1,25	1,50	2,00	2,25	2,75	3,00	3,50	4	4,25	4,75	5,00	5,00	5,00

Maximum support span [m] Copper pipes

Pipe layout	External pipe diameter [mm]											
	12	15	18	22	28	35	42	54	66,7	76,1	88,9	108
vertically/ horizontally	1,0	1,3	1,5	2,0	2,3	2,8	3,0	3,5	4,3	4,3	4,8	5,0

8.3 Compensation of thermal elongation of pipelines

Linear thermal elongation

Under the influence of temperature resulting from medium and ambient temperature drops, installation pipelines are expanded or shortened linearly during assembly (causing an axial motion of pipelines).

Vulnerability of pipes to linear elongation is defined by the thermal elongation coefficient α . Elongation (or shortening) of a pipeline section ΔL is calculated according to the following formula:

$$\Delta L = \alpha \times L \times \Delta t$$

ΔL	change in pipe length	[mm]
α	elongation coefficient	[mm/m × K]
L	initial pipeline length	[m]
Δt	temperature difference: working temp. and assembly temp. of the pipeline	[K]

Value of coefficient α for KAN-therm pipes		
KAN-therm Ultraline, PERT ² , PE-X pipes	$\alpha = 0,18$	[mm/m × K]
KAN-therm UltraLine, PERTAL ² pipes	$\alpha = 0,025$	[mm/m × K]
KAN-therm Push, PE-RT, PE-X pipes	$\alpha = 0,18$	[mm/m × K]
KAN-therm Press, PE-RT/Al/PE-RT, KAN-therm Push, Platinum pipes	$\alpha = 0,025$	[mm/m × K]
KAN-therm PP, PP-R uniform pipes	$\alpha = 0,15$	[mm/m × K]
KAN-therm PP, PP-R/Al/PP-R Stabi Al pipes	$\alpha = 0,03$	[mm/m × K]
KAN-therm PP, Glass pipes	$\alpha = 0,05$	[mm/m × K]
KAN-therm Steel, carbon steel pipes	$\alpha = 0,0108$	[mm/m × K]
KAN-therm Inox, stainless steel pipes	$\alpha = 0,0160$	[mm/m × K]
KAN-therm Copper, copper pipes	$\alpha = 0,017$	[mm/m × K]

Changes in pipe length may be calculated basing on data included in one of the following tables.

Thermal elongation of multilayer PERTAL² KAN-therm UltraLine, KAN-therm Press and KAN-therm Push Platinum pipes

L [m]	Linear elongation ΔL [mm] PERTAL ² , UltraLine, Press, Push Platinum pipes									
	Δt [K]									
	10	20	30	40	50	60	70	80	90	100
1	0,25	0,50	0,75	1,00	1,25	1,50	1,75	2,00	2,25	2,50
2	0,50	1,00	1,50	2,00	2,50	3,00	3,50	4,00	4,50	5,00
3	0,75	1,50	2,25	3,00	3,75	4,50	5,25	6,00	6,75	7,50
4	1,00	2,00	3,00	4,00	5,00	6,00	7,00	8,00	9,00	10,00
5	1,25	2,50	3,75	5,00	6,25	7,50	8,75	10,00	11,25	12,50
6	1,50	3,00	4,50	6,00	7,50	9,00	10,50	12,00	13,50	15,00
7	1,75	3,50	5,25	7,00	8,75	10,50	12,25	14,00	15,75	17,50
8	2,00	4,00	6,00	8,00	10,00	12,00	14,00	16,00	18,00	20,00
9	2,25	4,50	6,75	9,00	11,25	13,50	15,75	18,00	20,25	22,50
10	2,50	5,00	7,50	10,00	12,50	15,00	17,50	20,00	22,50	25,00

Thermal elongation of uniform PE-X and PERT² KAN-therm UltraLine

L [m]	Linear elongation ΔL [mm] PERT ² , PE-X pipes									
	Δt [K]									
	10	20	30	40	50	60	70	80	90	100
1	1,8	3,6	5,4	7,2	9,0	10,8	12,6	14,4	16,2	18,0
2	3,6	7,2	10,8	14,4	18,0	21,6	25,2	28,8	32,4	36,0
3	5,4	10,8	16,2	21,6	27,0	32,4	37,8	43,2	48,6	54,0
4	7,2	14,4	21,6	28,8	36,0	43,2	50,4	57,6	64,8	72,0
5	9,0	18,0	27,0	36,0	45,0	54,0	63,0	72,0	81,0	90,0
6	10,8	21,6	32,4	43,2	54,0	64,8	75,6	86,4	97,2	108,0
7	12,6	25,2	37,8	50,4	63,0	75,6	88,2	100,8	113,4	126,0
8	14,4	28,2	43,2	57,6	72,0	88,2	100,8	115,2	129,6	144,0
9	16,2	32,4	48,6	64,8	81,0	97,2	113,4	129,6	145,8	162,0
10	18,0	36,0	54,0	72,0	90,0	100,8	126,0	144,0	162,0	180,0

Thermal elongation of KAN-therm PP (uniform) pipes

L [m]	Linear elongation ΔL [mm] KAN-therm PP pipes									
	Δt [K]									
	10	20	30	40	50	60	70	80	90	100
1	1,5	3,0	4,5	6,0	7,5	9,0	10,5	12,0	13,5	15,0
2	3,0	6,0	9,0	12,0	15,0	18,0	21,0	24,0	27,0	30,0
3	4,5	9,0	13,5	18,0	22,5	27,0	31,5	36,0	40,5	45,0
4	6,0	12,0	18,0	24,0	30,0	36,0	42,0	48,0	54,0	60,0
5	7,5	15,0	22,5	30,0	37,5	45,0	52,5	60,0	67,5	75,0
6	9,0	18,0	27,0	36,0	45,0	54,0	63,0	72,0	81,0	90,0
7	10,5	21,0	31,5	42,0	52,5	63,0	73,5	84,0	94,5	105,0
8	12,0	24,0	36,0	48,0	60,0	72,0	84,0	96,0	108,0	120,0
9	13,5	27,0	40,5	54,0	67,5	81,0	94,5	108,0	121,5	135,0
10	15,0	30,0	45,0	60,0	75,0	90,0	105,0	120,0	135,0	150,0

Thermal elongation of KAN-therm PP Stabi Al pipes

L [m]	Linear elongation ΔL [mm] KAN-therm PP Stabi Al pipes									
	Δt [K]									
	10	20	30	40	50	60	70	80	90	100
1	0,3	0,6	0,9	1,2	1,5	1,8	2,1	2,4	2,7	3,0
2	0,6	1,2	1,8	2,4	3,0	3,6	4,2	4,8	5,4	6,0
3	0,9	1,8	2,7	3,6	4,5	5,4	6,3	7,2	8,1	9,0
4	1,2	2,4	3,6	4,8	6,0	7,2	8,4	9,6	10,8	12,0
5	1,5	3,0	4,5	6,0	7,5	9,0	10,5	12,0	13,5	15,0
6	1,8	3,6	5,4	7,2	9,0	10,8	12,8	14,4	16,2	18,0
7	2,1	4,2	6,3	8,4	10,5	12,6	14,7	16,8	18,9	21,0
8	2,4	4,8	7,2	9,6	12,0	14,4	16,8	19,2	21,6	24,0
9	2,7	5,4	8,1	10,8	13,5	16,2	18,9	21,6	24,3	27,0
10	3,0	6,0	9,0	12,0	15,0	18,0	21,0	24,0	27,0	30,0

Thermal elongation of KAN-therm PP Glass pipes

L [m]	Linear elongation ΔL [mm] KAN-therm PP Glass pipes									
	Δt [K]									
	10	20	30	40	50	60	70	80	90	100
1	0,5	1,0	1,5	2,0	2,5	3,0	3,5	4,0	4,5	5,0
2	1,0	2,0	3,0	4,0	5,0	6,0	7,0	8,0	9,0	10,0
3	1,5	3,0	4,5	6,0	7,5	9,0	10,5	12,0	13,5	15,0
4	2,0	4,0	6,0	8,0	10,0	12,0	14,0	16,0	18,0	20,0
5	2,5	5,0	7,5	10,0	12,5	15,0	17,5	20,0	22,5	25,0
6	3,0	6,0	9,0	12,0	15,0	18,0	21,0	24,0	27,0	30,0
7	3,5	7,0	10,5	14,0	17,5	21,0	24,5	28,0	31,5	35,0
8	4,0	8,0	12,0	16,0	20,0	24,0	28,0	32,0	36,0	40,0
9	4,5	9,0	13,5	18,0	22,5	27,0	31,5	36,0	40,5	45,0
10	5,0	10,0	15,0	20,0	25,0	30,0	35,0	40,0	45,0	50,0

Thermal elongation of KAN-therm Steel pipes

L [m]	Linear elongation ΔL [mm] KAN-therm Steel pipes									
	Δt [K]									
	10	20	30	40	50	60	70	80	90	100
1	0,11	0,22	0,32	0,43	0,54	0,65	0,76	0,86	0,97	1,08
2	0,22	0,43	0,65	0,86	1,08	1,30	1,51	1,73	1,94	2,16
3	0,32	0,65	0,97	1,30	1,62	1,94	2,27	2,59	2,92	3,24
4	0,43	0,86	1,30	1,73	2,16	2,59	3,02	3,46	3,89	4,32
5	0,54	1,08	1,62	2,16	2,70	3,24	3,78	4,32	4,86	5,40
6	0,65	1,30	1,94	2,59	3,24	3,89	4,54	5,18	5,83	6,48
7	0,76	1,51	2,27	3,02	3,78	4,54	5,29	6,05	6,80	7,56
8	0,86	1,73	2,59	3,46	4,32	5,18	6,05	6,91	7,78	8,64
9	0,97	1,94	2,92	3,89	4,86	5,83	6,80	7,78	8,75	9,72
10	1,08	2,16	3,24	4,32	5,40	6,48	7,56	8,64	9,72	10,80
12	1,30	2,59	3,89	5,18	6,48	7,78	9,07	10,37	11,66	12,96
14	1,51	3,02	4,54	6,05	7,56	9,07	10,58	12,10	13,61	15,12
16	1,73	3,46	5,18	6,91	8,64	10,37	12,10	13,82	15,55	17,28
18	1,94	3,89	5,83	7,78	9,72	11,66	13,61	15,55	17,50	19,44
20	2,16	4,32	6,48	8,64	10,80	12,96	15,12	17,28	19,44	21,60

Thermal elongation of KAN-therm Inox pipes

L [m]	Linear elongation ΔL [mm] KAN-therm Inox pipes									
	Δt [K]									
	10	20	30	40	50	60	70	80	90	100
1	0,16	0,32	0,48	0,64	0,80	0,96	1,12	1,28	1,44	1,60
2	0,32	0,64	0,96	1,28	1,60	1,92	2,24	2,56	2,88	3,20
3	0,48	0,96	1,44	1,92	2,40	2,88	3,36	3,84	4,32	4,80
4	0,64	1,28	1,92	2,56	3,20	3,84	4,48	5,12	5,76	6,40
5	0,80	1,60	2,40	3,20	4,00	4,80	5,60	6,40	7,20	8,00
6	0,96	1,92	2,88	3,84	4,80	5,76	6,72	7,68	8,64	9,60
7	1,12	2,24	3,36	4,48	5,60	6,72	7,84	8,96	10,08	11,20
8	1,28	2,56	3,84	5,12	6,40	7,68	8,96	10,24	11,52	12,80
9	1,44	2,88	4,32	5,76	7,20	8,64	10,08	11,52	12,96	14,40
10	1,60	3,20	4,80	6,40	8,00	9,60	11,20	12,80	14,40	16,00
12	1,92	3,84	5,76	7,68	9,60	11,52	13,44	15,36	17,28	19,20
14	2,24	4,48	6,72	8,96	11,20	13,44	15,68	17,92	20,16	22,40
16	2,56	5,12	7,68	10,24	12,80	15,36	17,92	20,48	23,04	25,60
18	2,88	5,76	8,64	11,52	14,40	17,28	20,16	23,04	25,92	28,80
20	3,20	6,40	9,60	12,80	16,00	19,20	22,40	25,60	28,80	32,00

Thermal elongation of copper pipes

L [m]	Linear elongation ΔL [mm] copper pipes									
	Δt [K]									
	10	20	30	40	50	60	70	80	90	100
1	0,17	0,34	0,51	0,68	0,85	1,02	1,19	1,36	1,53	1,70
2	0,34	0,68	1,02	1,36	1,70	2,04	2,38	2,72	3,06	3,40
3	0,51	1,02	1,53	2,04	2,55	3,06	3,57	4,08	4,59	5,10
4	0,68	1,36	2,04	2,72	3,40	4,08	4,76	5,44	6,12	6,80
5	0,85	1,70	2,55	3,40	4,25	5,10	5,95	6,80	7,65	8,50
6	1,02	2,04	3,06	4,08	5,10	6,12	7,14	8,16	9,18	10,20
7	1,19	2,38	3,57	4,76	5,95	7,14	8,33	9,52	10,71	11,90
8	1,36	2,72	4,08	5,44	6,80	8,16	9,52	10,88	12,24	13,60
9	1,53	3,06	4,59	6,12	7,65	9,18	10,71	12,24	13,77	15,30
10	1,70	3,40	5,10	6,80	8,50	10,20	11,90	13,60	15,30	17,00
12	2,04	4,08	6,12	8,16	10,20	12,24	14,28	16,32	18,36	20,40
14	2,38	4,76	7,14	9,52	11,90	14,28	16,66	19,04	21,42	23,80
16	2,72	5,44	8,16	10,88	13,60	16,32	19,04	21,76	24,48	27,20
18	3,06	6,12	9,18	12,24	15,30	18,36	21,42	24,28	27,54	30,60
20	3,40	6,80	10,20	13,60	17,00	20,40	23,80	27,20	30,60	34,00

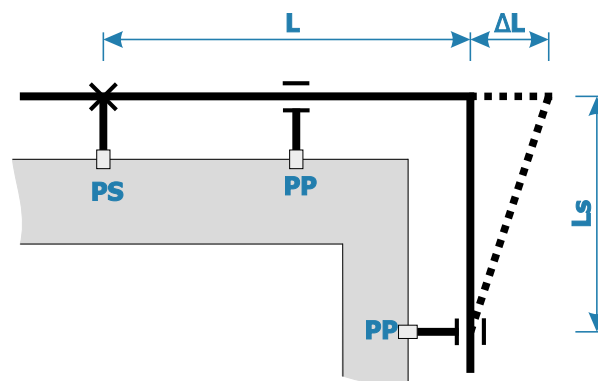
Compensation of elongations

Flexible arm

Thermal elongation of pipelines in installations is an undesirable phenomenon which has negative impact on the operation and durability, as well as the outer appearance of the installation.

Therefore, as early as in the stage of designing an installation, you should assume specific compensation solutions, consisting of various compensators and properly arranged fixed and shifting points.

In on-plaster installations, redirecting the installation with the use of flexible (elastic) arms is used to compensate for the loads of thermal elongation. Tensions resulting from thermal elongation are transferred onto the arm, causing it to bend slightly.



Pipe material constant k for KAN-therm systems	
KAN-therm UltraLine PERTAL ² /Press multilayer pipes	36
System KAN-therm UltraLine (PE-X, PERT ²) System KAN-therm Push (PE-X and PE-RT)	15
KAN-therm PP-R	20
KAN-therm Steel/Inox	45
KAN-therm Copper	35

The required length of the flexible arm Ls is calculated in the following way:

$$L_s = k \times \sqrt{D \times \Delta L}$$

Where:

Ls – length of the flexible arm [mm],

k – pipe material constant,

D – external pipe diameter [mm],

ΔL – change in pipe length [mm].

Determine the length of the Ls arm basing on the tables below.

Length of the Ls flexible arm for multilayer KAN-therm pipes [mm]

Elongation ΔL [mm]	External pipe diameter D [mm]								
	14	16	20	25	26	32	40	50	63
5	301	322	360	402	410	455	509	569	639
10	426	455	509	569	580	644	720	805	904
15	522	558	624	697	711	789	882	986	1107
20	602	644	720	805	821	911	1018	1138	1278
30	738	789	882	986	1005	1115	1247	1394	1565
40	852	911	1018	1138	1161	1288	1440	1610	1807
50	952	1018	1138	1273	1298	1440	1610	1800	2020
60	1043	1115	1247	1394	1422	1577	1764	1972	2213
70	1127	1205	1347	1506	1536	1704	1905	2130	2391
80	1205	1288	1440	1610	1642	1821	2036	2277	2556
90	1278	1366	1527	1708	1741	1932	2160	2415	2711
100	1347	1440	1610	1800	1836	2036	2277	2546	2857

Length of the Ls flexible arm for KAN-therm PE-X and PE-RT pipes [mm]

Elongation ΔL [mm]	External pipe diameter D [mm]						
	12	14	16	18	20	25	32
5	116	125	134	142	150	168	190
10	164	177	190	201	212	237	268
15	201	217	232	246	260	290	329
20	232	251	268	285	300	335	379
30	285	307	329	349	367	411	465
40	329	355	379	402	424	474	537
50	367	397	424	450	474	530	600
60	402	435	465	493	520	581	657
70	435	470	502	532	561	627	710
80	465	502	537	569	600	671	759
90	493	532	569	604	636	712	805
100	520	561	600	636	671	750	849

Length of the Ls flexible arm for KAN-therm PP, PP Stabi AI and PP Glass pipes [mm]

Elongation ΔL [mm]	External pipe diameter D [mm]									
	16	20	25	32	40	50	63	75	90	110
5	179	200	224	253	283	316	355	387	424	469
10	253	283	316	358	400	447	502	548	600	663
15	310	346	387	438	490	548	615	671	735	812
20	358	400	447	506	566	632	710	775	849	938
30	438	490	548	620	693	775	869	949	1039	1149
40	506	566	632	716	800	894	1004	1095	1200	1327
50	566	632	707	800	894	1000	1122	1225	1342	1483
60	620	693	775	876	980	1095	1230	1342	1470	1625
70	669	748	837	947	1058	1183	1328	1449	1587	1755
80	716	800	894	1012	1131	1265	1420	1549	1697	1876
90	759	849	949	1073	1200	1342	1506	1643	1800	1990
100	800	894	1000	1131	1265	1414	1587	1732	1897	2098
150	980	1095	1225	1386	1549	1732	1944	2121	2324	2569
200	1131	1265	1414	1600	1789	2000	2245	2449	2683	2966

In the KAN-therm PP System, you may also use ready-made loop compensators with 150 mm loop diameters:

Nominal compensator diameter [mm]	Thermal elongation value possible to compensate [mm]
16	80
20	70
25	60
32	50



Length of the Ls flexible arm for KAN-therm Steel/Inox pipes [mm]

Elongation ΔL [mm]	External pipe diameter D [mm]												
	12	15	18	22	28	35	42	54	64	66,7	76,1	88,9	108
2	220	246	270	298	337	376	412	468	509	520	555	600	661
4	312	349	382	422	476	532	583	661	720	735	785	849	935
6	382	427	468	517	583	652	714	810	882	900	962	1039	1146
8	441	493	540	597	673	753	825	935	1018	1039	1110	1200	1323
10	493	551	604	667	753	842	922	1046	1138	1162	1241	1342	1479
12	540	604	661	731	825	922	1010	1146	1247	1273	1360	1470	1620
14	583	652	714	790	891	996	1091	1237	1347	1375	1469	1588	1750
16	624	697	764	844	952	1065	1167	1323	1440	1470	1570	1697	1871
18	661	739	810	895	1010	1129	1237	1403	1527	1559	1665	1800	1984
20	697	779	854	944	1065	1191	1304	1479	1610	1644	1756	1897	2091
25	731	871	955	1055	1191	1331	1458	1653	1800	1724	1963	2121	2338
30	764	955	1046	1156	1304	1458	1597	1811	1972	1800	2150	2324	2561
35	795	1031	1129	1249	1409	1575	1725	1956	2130	1874	2322	2510	2767
40	825	1102	1207	1335	1506	1684	1844	2091	2274	1945	2483	2683	2958
45	854	1169	1281	1416	1597	1786	1956	2218	2415	2013	2633	2846	3137
50	882	1232	1350	1492	1684	1882	2062	2338	2546	2079	2776	3000	3307

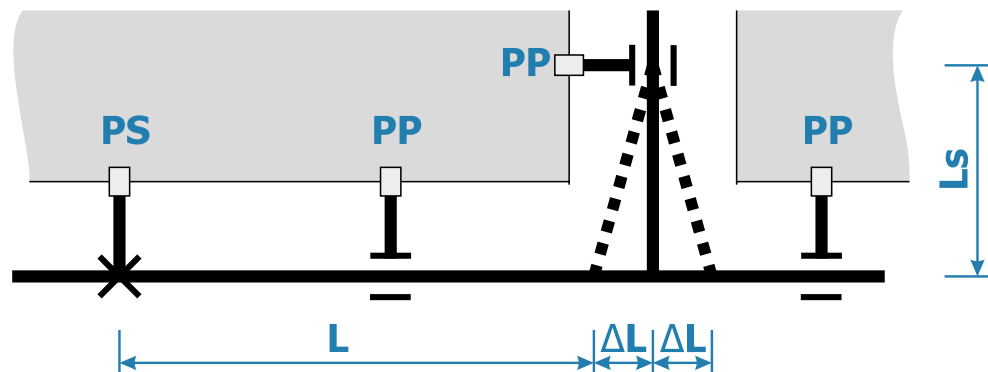
Length of the Ls flexible arm for copper pipes [mm]

Elongation ΔL [mm]	External pipe diameter D [mm]											
	12	15	18	22	28	35	42	54	66,7	76,1	88,9	108
2	171	192	210	232	262	293	321	364	404	432	467	514
4	242	271	297	328	370	414	454	514	572	611	660	727
6	297	332	364	402	454	507	556	630	700	748	808	891
8	343	383	420	464	524	586	642	727	808	864	933	1029
10	383	429	470	519	586	655	717	813	904	966	1044	1150
12	420	470	514	569	642	717	786	891	990	1058	1143	1260
14	454	507	556	614	693	775	849	962	1070	1142	1235	1361
16	485	542	594	657	741	828	907	1029	1143	1221	1320	1455
18	514	575	630	696	786	878	962	1091	1213	1295	1400	1543
20	542	606	664	734	828	926	1014	1150	1278	1365	1476	1627
25	606	678	742	821	926	1035	1134	1286	1429	1527	1650	1819
30	664	742	813	899	1014	1134	1242	1409	1566	1672	1808	1992
35	717	802	878	971	1096	1225	1342	1522	1691	1806	1952	2152
40	767	857	939	1038	1171	1310	1435	1627	1808	1931	2087	2300
45	813	909	996	1101	1242	1389	1522	1725	1918	2048	2214	2440
50	857	959	1050	1161	1310	1464	1604	1819	2021	2159	2333	2572

Knowledge of the length of the Ls flexible arm is vital when assembling secure branch-offs on a pipeline subjected to elongation (and when there is no fixed point on the branch-off). Applying a too short Ls section will cause excessive tensions in the vicinity of the tee and, in extreme case, may damage the joint (see point "Assembly of installation riser").

When planning a flexible arm (Ls), remember that its length should be lower than the maximum distance occurring between the clamps for a given pipeline diameter.

Making a flexible arm on a branch-off

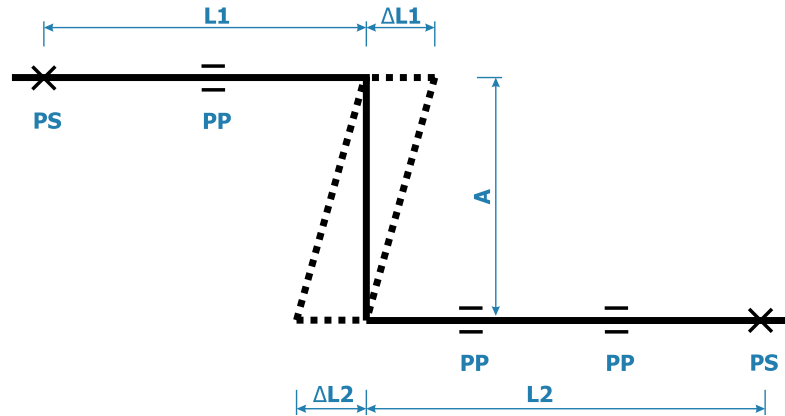


Compensators in KAN-therm System installations

Z-shaped compensator

Various types of compensators are used to eliminate the effects of thermal elongations of pipelines. Compensators presented here utilize the action of the flexible arm. If there is a possibility of shifting the axis of the pipeline, you may use a Z-shaped compensator.

Type Z compensator



To calculate the length of the flexible arm $A = L_s$ of the compensator, assume $L_z = L_1 + L_2$ as the replacement length. For this length, calculate the elongation ratio ΔL (from the template in the table) and then the value of L_s (from the template in the table). The length of arm A must not exceed the maximal span of mounts for a given pipeline diameter. Do not mount any clamps on it.

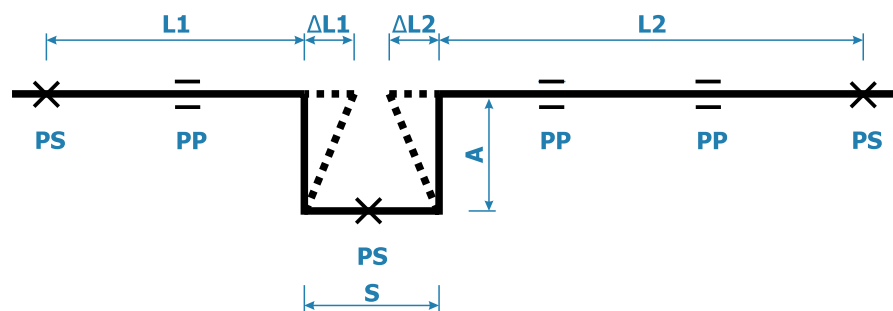
U-shaped compensator

If it is impossible to compensate pipeline elongation by changing the route direction (the pipeline axis runs along one line along the entire length), an U-shaped compensator should be used.

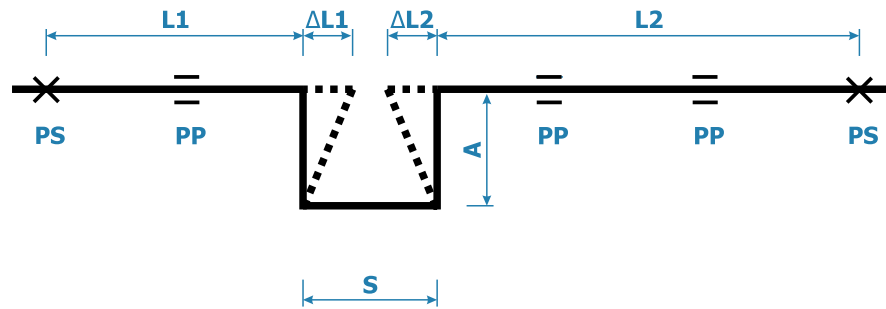
Calculate the length of compensator arm A according to formula or data in the tables for determining the length of flexible arm, assuming that $A = L_s$.

If the distances from the middle of the compensator to the nearest PS fixed points are not the same, assume the elongation ratio ΔL of the longer pipeline section, on which the compensator is mounted to determine the length of the arm A (in the figure, elongation ratio ΔL_2 corresponds to section L_2). The most optimal solution is to place the compensator in the middle of the pipeline section ($L_1 = L_2$).

U-type compensator with fixed point



U-type compensator



When dimensioning the compensator, follow these principles:

You can build a U-shaped compensator using four 90-degree system elbows and pipe sections.

In the case of multilayer KAN-therm UltraLine and KAN-therm Press, build the compensator by bending the pipe suitably, maintaining the minimum radius:

$R = 5 \times D_e$ (do not bend pipes with diameters exceeding 32 mm).

The minimal width of a compensator S must ensure unobstructed operation of the arms of compensated sections $L1$ and $L2$ and take into account possible thickness of thermal coating (g_{izol}) for the pipeline.

You may assume that:

$$S = 2 \times g_{izol} + \Delta L1 + \Delta L2 + S_{min}$$

$$S_{min} = 150 - 200 \text{ mm}$$

g_{izol} – insulation thickness

For Steel/Inox steel pipes, assume that:

$$S = \frac{1}{2} A$$

The length of the compensator should not exceed the maximum span of mounts for a given pipeline diameter. Do not mount any clamps on the arms.

Bellows compensators for KAN-therm Steel/Inox steel pipe installations

It is recommended to design and perform natural (geometric) compensation in all possible cases.

If there is no possibility of compensating for steel pipeline elongations through the use of flexible arms (type L, Z or U compensator), you can also use available axis bellows compensators.

Material and application

KAN-therm Inox axial bellow compensators are made of stainless steel grade 1.4404 and intended for the construction of internal, closed, pressurized heating and chilled water installations.



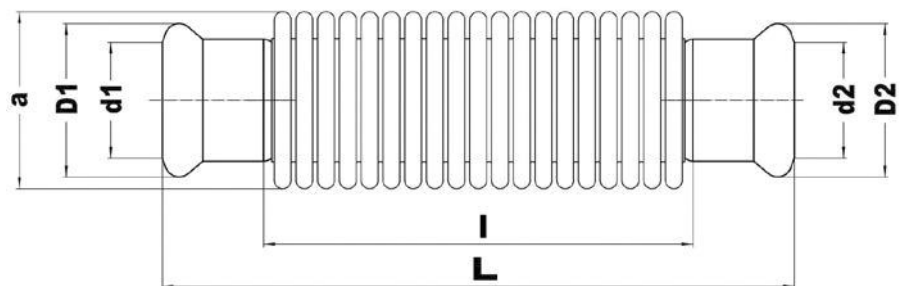
Note: The possibility of using compensators in drinking water installations depends on regulations applicable in the country. Each time, check if the relevant certificates are available".

Design and technical specifications

The compensators are equipped with press ending (15–54 mm) or plain pipe ending (76,1–108 mm). The connections are achieved by three-point "M" profile radial pressing.

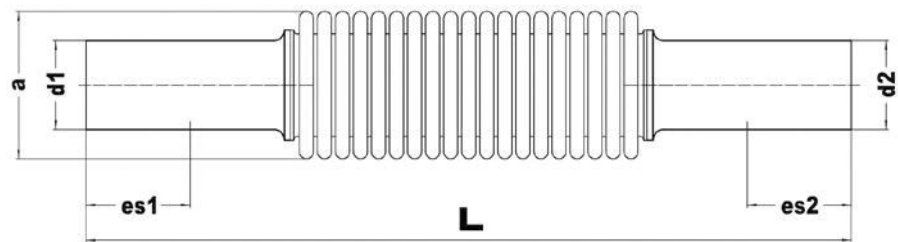
Compensators Ø15–54 mm

Material	1.4404 (AISI 316L)						
Seal	EPDM70						
T_{work}	135 °C						
T_{max}	150 °C						
P_{max}	16 bar						
Crimping profile	M						
d1 = d2	15 mm	18 mm	22 mm	28 mm	35 mm	42 mm	54 mm
D1 = D2	24 mm	27 mm	32 mm	38 mm	45 mm	54 mm	65 mm
a	24 mm	27 mm	37 mm	44 mm	50 mm	60 mm	72 mm
l	70 mm	66 mm	78 mm	84 mm	88 mm	94 mm	110 mm
L	110 mm	106 mm	120 mm	130 mm	140 mm	154 mm	180 mm
Max. elongation to compensate Δl	14 mm	16 mm	20 mm	22 mm	24 mm	24 mm	30 mm
Effective area [cm²]	3,1	4,0	7,2	10,5	13,9	20,4	31,0
Spring rate [N/mm]	28	28	40	42	54	47	48
Weight	0,05 kg	0,07 kg	0,13 kg	0,16 kg	0,24 kg	0,31 kg	0,46 kg



Compensators Ø76,1-108 mm

Material	1.4404 (AISI 316L)		
T_{work}	135 °C		
T_{max}	150 °C		
P_{max}	16 bar		
d1 = d2	76,1 mm	88,9 mm	108 mm
a	92 mm	106 mm	130 mm
es1 = es2	55 mm	63 mm	77 mm
L	276 mm	290 mm	346 mm
Elongation take-over Δl	30 mm	30 mm	30 mm
Effective area [cm²]	52,5	73,2	115,0
Spring rate [N/mm]	60	82	92
Weight	1,41 kg	1,61 kg	2,10 kg



Designation

The KAN-therm Inox compensators are intended for compensating thermal elongations of KAN-therm Steel and KAN-therm Inox pipelines.

Recommendations of application

- The design of compensators is based on the elastic bellows, which rigidity is smaller than the rigidity of the compensated pipelines. This requires an assembly only at straight sections, anchored on two sides by fixed supports.
- The compensators cannot be mounted on bends and other self-compensating sections.
- That type of compensators is not suitable for carrying radial movements, bucklings and torsional forces of the installation.
- These compensators are not to be mounted with pretensioning.

Assembly method

The axial bellow compensators may be mounted on horizontal and vertical pipelines, placed along walls or in transitive and non-transitive heating ducts.

In case of installation in ducts, inspection openings should be provided to allow access to the compensator.

If there is a risk of contamination of the thermally non-insulated compensator elastic bellow, it should be protected with a cover against possible mechanical contamination that may damage it by entering the space between the bellow waves.

If the bellow compensator is thermally insulated, additional cover should be used to protect against entering of the insulation in the spaces between the bellow waves.

It is acceptable to mount not more than one compensator between two adjoining fixed points.

Sliding supports must completely cover the pipes without causing too much resistance to the thermal movements of the pipeline. The maximum slack should be no more than 1 mm.

To obtain the correct stability, compensator must be installed at a distance not greater than $4 \times d$ from the nearest fixed point.

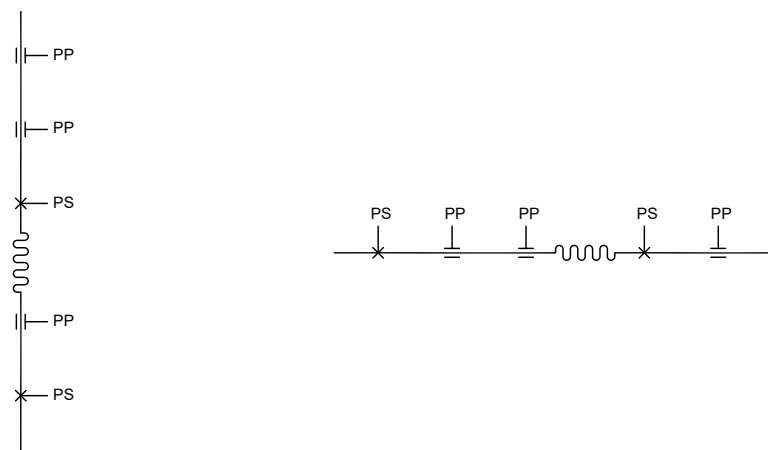
Maximal distance from the compensator to the first sliding point should not exceed $4 \times d$.

Permissible deviation of the pipeline axis on both sides of the compensator must not exceed 2 mm.

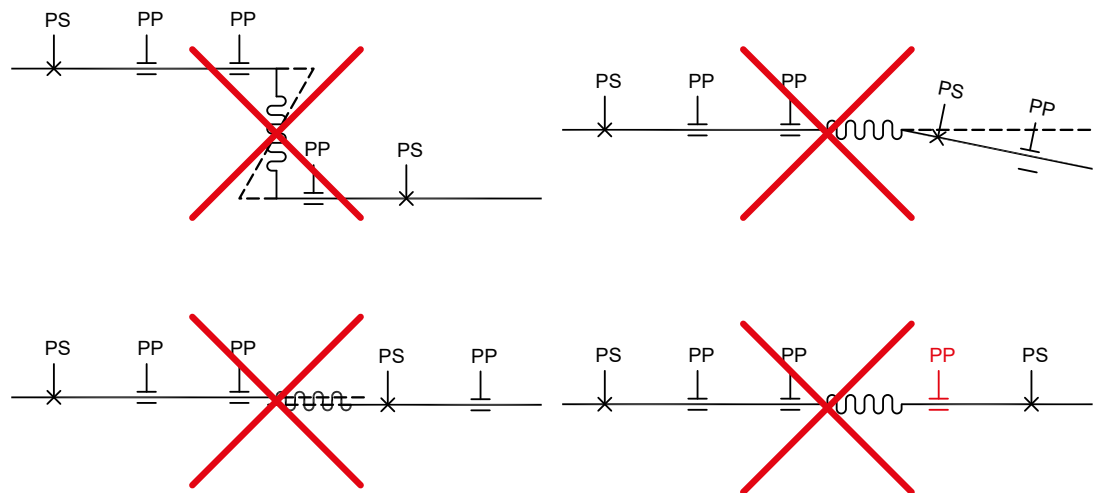
Maximum support span [m] – KAN-therm Steel/Inox pipes

External pipe diameter [mm]	15	18	22	28	35	42	54	76,1	88,9	108	139	168
Maximum support span [m]	1,25	1,5	2	2,25	2,75	3	3,5	4,25	4,75	5	5	5

Correct mounting



Incorrect mounting



Warranty

The warranty for axial bellow compensators is granted for the number of cycles $N_c = 1000$, where each compression and expansion of the bellow (even in the case of incomplete operating range) is considered as one cycle. The number of cycles is specified for temperature $20 \pm 5 \text{ }^\circ\text{C}$. In the case of other operating temperatures, the number of cycles should be calculated using the temperature reduction coefficient:

$$NC = 1000 \cdot Tf$$

where:

T_{work}	-35 °C	0 °C	20 °C	100 °C	150 °C
Tf (coefficient reductor depends from opera- ting temperature)	0,90	0,95	1,0	0,9	0,85

⚠ Warning! Non-axial assembly of compensators results in shortening their service life!

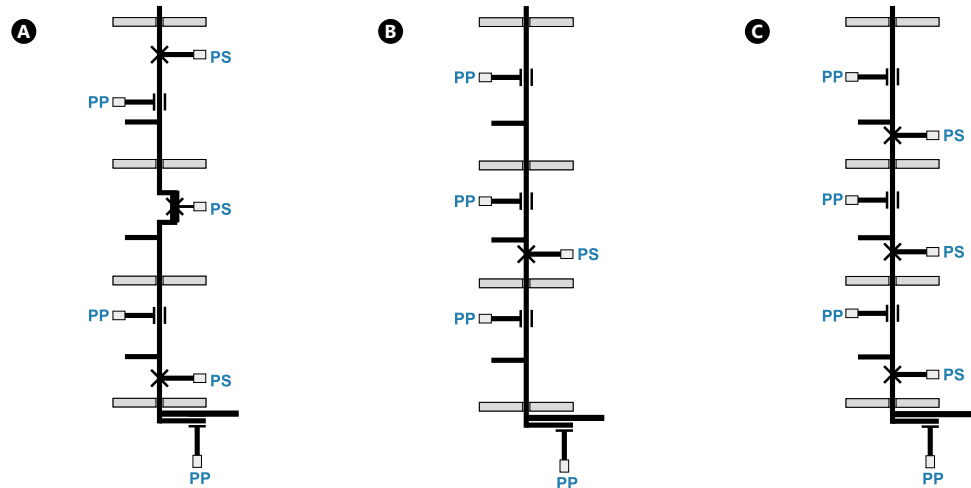
The compensator mounting that is inconsistent with the manufacturer's recommendations leads to warranty loss and shortening their life.

Principles of compensating for installation riser – horizontal elongations

When mounting installation risers/h Horizontals atop walls and inside installation shafts, you must consider their axis motion caused by temperature changes by carefully arranging fixed points and compensators and compensating for all tensions on branch-offs. This is why every installation subjected to elongations should be treated individually.

The solution you assume depends on the material of risers and branch-offs, the working parameters of the installation, the number of branch-offs on the riser, and the amount of space available (e.g. in the installation shaft). Figures **A**, **B**, **C** present examples of compensation solutions applied in installation risers.

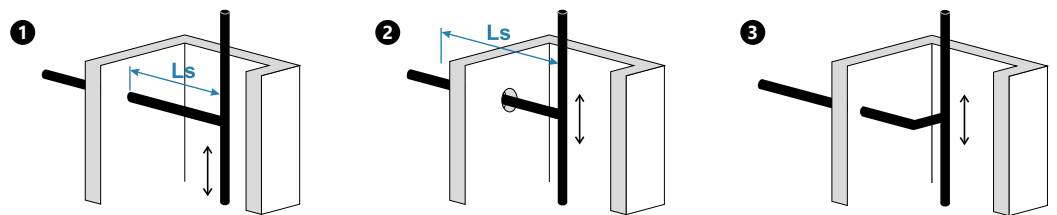
- A.** Example of a riser structure applying an U-shaped compensator (concerns all KAN-therm Systems)
- B.** Example of a riser structure applying a fixed point in the middle of the riser (concerns multilayer pipes and KAN-therm: UltraLine, Press, Steel, Inox, Copper and KAN-therm PP Stabi Al pipes)
- C.** Example of a riser structure applying self-compensation ("rigid" structure) (concerns KAN-therm UltraLine, KAN-therm PP and KAN-therm Push pipes)



In each case, use a compensation arm of sufficient length in the riser connection. In the end of the riser, on the connection to the last container/valve, add a flexible arm of sufficient length.

Each branch-off (e.g. radiator joint, water meter connection) should allow bending (under the influence of vertical motion of the riser) so that tension around the tee is not critical. This may be executed through ensuring correct length of flexible arm (fig. 1, 2, 3). It is particularly essential during the assembly of installations in shafts. In the case of a correctly mounted fixed point near a branch-off tee, the requirement of ensuring a flexible arm on this branch-off is not essential.

Ensuring a flexible arm on riser branch-offs in installation shafts (examples)



In the case of KAN-therm UltraLine, Push and PP System pipes, you need not apply any compensation for changes in pipe length by placing fixed point clamps directly above each tee providing branch-off to the pipe. It is a so-called rigid mount (**fig. C, page 191**).

By dividing the riser (with fixed points) into considerably small sections (usually the length of the storey, but not longer than 4 m), the length of elongations is restrained, and the remaining tensions are transferred onto the clamps of fixed points. Slight sideways deviations of the pipelines may be limited by dense arrangement of shifting point clamps (denser, if the riser is assembled on plaster in visible places).

Compensation of sub-plaster/sub-flooring installation elongations

In the case of conducting KAN-therm UltraLine, Press and Push System pipelines in layers of concrete (screed) or plaster, the thermal elongation of pipes phenomenon also applies. However, due to the fact that pipes are conducted in casing pipes or in insulation, the tensions caused by pipe elongation are not high, since the pipes have the space to bend in the casing which surrounds them (self-compensation phenomenon). Conducting pipes on small curves also has beneficial impact on thermal elongation.

It is recommended to use 10% excess pipe length compared to the straight line.

This principle should be particularly adhered to when there is a possibility of pipelines shrinking (e.g. cold water installation laid during hot summer) – when arranging a long, straight pipeline without bends or arches. In such case, there is a possibility of the pipe sliding out of the joint, e.g. a tee.

KAN-therm PP polypropylene pipes may be laid directly on floor mortar (if there are no limitations as regards thermal or noise insulation). In this case, the layer of concrete surrounding the pipe does not allow for thermal elongation and the pipe takes on all tensions (they will be lower than the critical value). More about conducting pipes in floor and plaster mortar in chapter Conducting KAN-therm installations in structural partitions.

8.4 Principles of laying KAN-therm installations

Thanks to a great diversity of solutions and a comprehensive offer of products, KAN-therm allows designing and executing nearly each and every type of internal pressurized installations consisting of horizontals, risers and branch-offs. These elements may be conducted on the surface of plaster or floor slab surfaces (on-plaster mount) or placed in structural partitions (sub-plaster mount – in wall furrows and floor mortars). An indirect method of laying separating pipelines is conducting pipes in special baseboards.

On-plaster installations – risers and horizontal pipelines

On-plaster mounts on structural partitions are used when conducting installation horizontals in non-inhabited rooms (such as ceiling, garage) and when mounting installations risers e.g. in industrial and non-inhabited facilities or in installation shafts.

This mount is also used in renovations of old installations (e.g. replacement of old heating installations), utilizing KAN-therm PP, Steel, Inox and Copper.

Designing such installations, bear in mind that, apart from technical requirements, also the visual aspect is important. Therefore:

- select the proper type of pipes and joint system,
- carefully develop the system of compensating for thermal elongations,
- adopt a correct method of mounting pipelines, complying with the guidelines,
- select the most suitable (depending on the destination of the installation and its environment) type of thermal insulation.

For on-plaster installations (risers and horizontals), we recommend multilayer pipes (in shafts) from the KAN-therm UltraLine (UltraLine AL group pipes), KAN-therm Press, polypropylene KAN-therm PP pipes and joints or steel pipes from the KAN-therm Steel, Inox as well as System KAN-therm Copper.

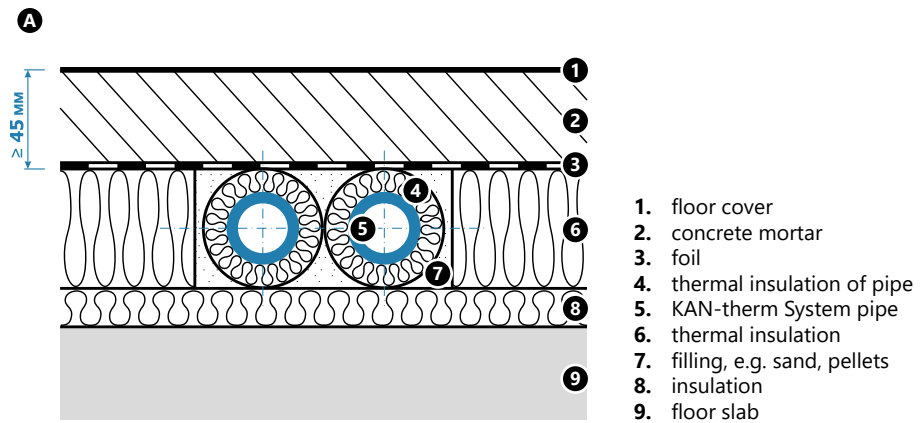
Conducting KAN-therm installations in structural partitions

According to the requirements of modern construction practices, KAN-therm pipelines may be conducted in wall furrows filled with mortar and plaster, as well as various types of floor mortars.

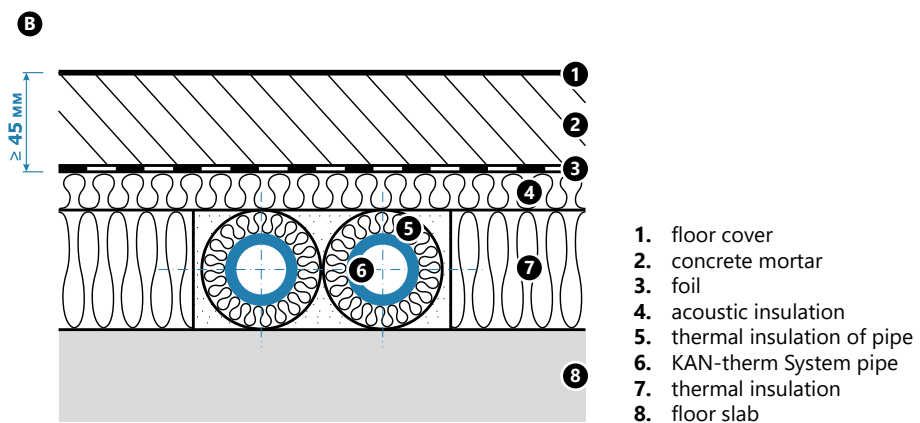
This refers to PE-RT, PE-X and PP-R pipelines, multilayer KAN-therm pipelines in separating installation and in tee installations with UltraLine, Push and Press joints and in welded KAN-therm PP installations.

Examples of conducting pipes in flooring layers

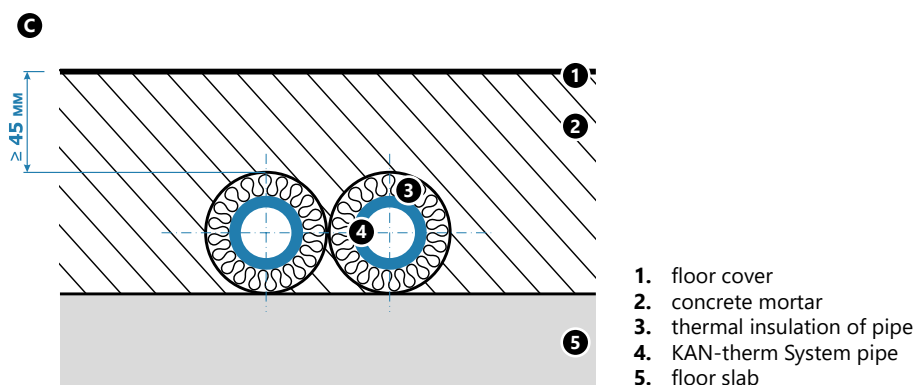
A. On floor slabs above non-heated rooms



B. On floor slabs above heated rooms



C. Directly on concrete mortar





Notice:

Threaded connections must not be covered with concrete or plaster. Pipelines in wall grooves should be protected against contact with sharp edges of the groove, preferably by running in protective pipes (conduit) or thermal insulation (if required).

Pipes conducted in floor mortar must be laid in pipe casings or, if thermal protection requirements force so, in thermal insulation (see chapter Thermal insulation of KAN-therm pipes).

Insulation may be used to reduce heat loss, to prevent the floor layer from collecting heat from the pipe (max. 29 °C), and it may partially serve as noise insulation to the pipeline. You may also conduct KAN-therm PP pipes without casings in floor shafts, provided that a required mortar thickness is maintained.

Minimal thickness of concrete layer above the pipe or insulation is 4,5 cm. In the case of smaller thicknesses, it is recommended to make additional screed reinforcement above the pipes. Pipe installations conducted in shafts should not damage the noise insulation. In the case of conducting a pipeline in a casing (pipe-in-pipe) or in thermal insulation, its routing should include small curves in order to prevent the effects of thermal contractions of pipelines.

Pipelines must be mounted to the surface using single or double plastic hooks. Before the pipelines are covered with plaster or concrete, a pressure test must be carried out and protective coating must be installed. In the course of construction works, covering the installation with screed should be performed under pressure.

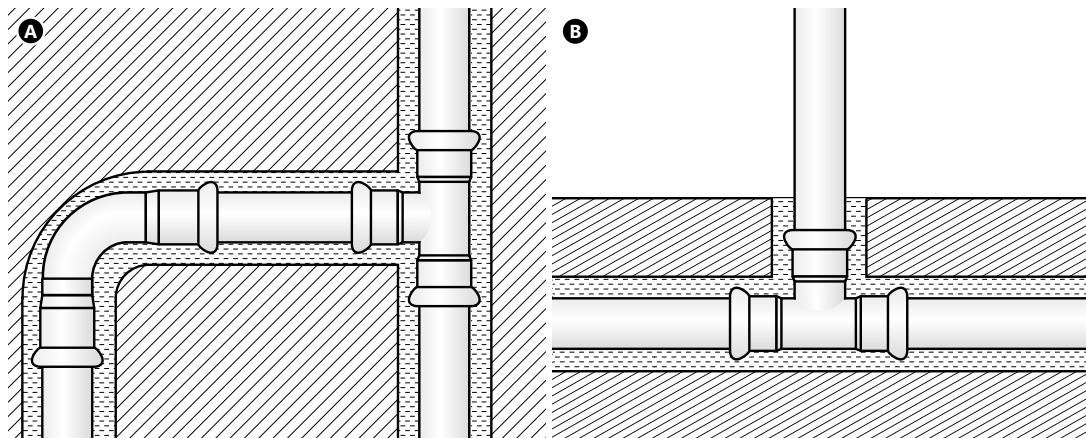
With sub-plaster installations, we recommend performing an inventory of the installation (e.g. using photographs) before executing any construction works. As a result, you will avoid accidentally damaging the pipes hidden in plaster or mortar.

Laying steel KAN-therm pipes

We do not recommend laying KAN-therm Steel, KAN-therm Inox and KAN-therm Copper installations in plaster or mortar layers, due to the threat of corrosion and the occurrence of strong forces resulting from thermal elongation of pipes.

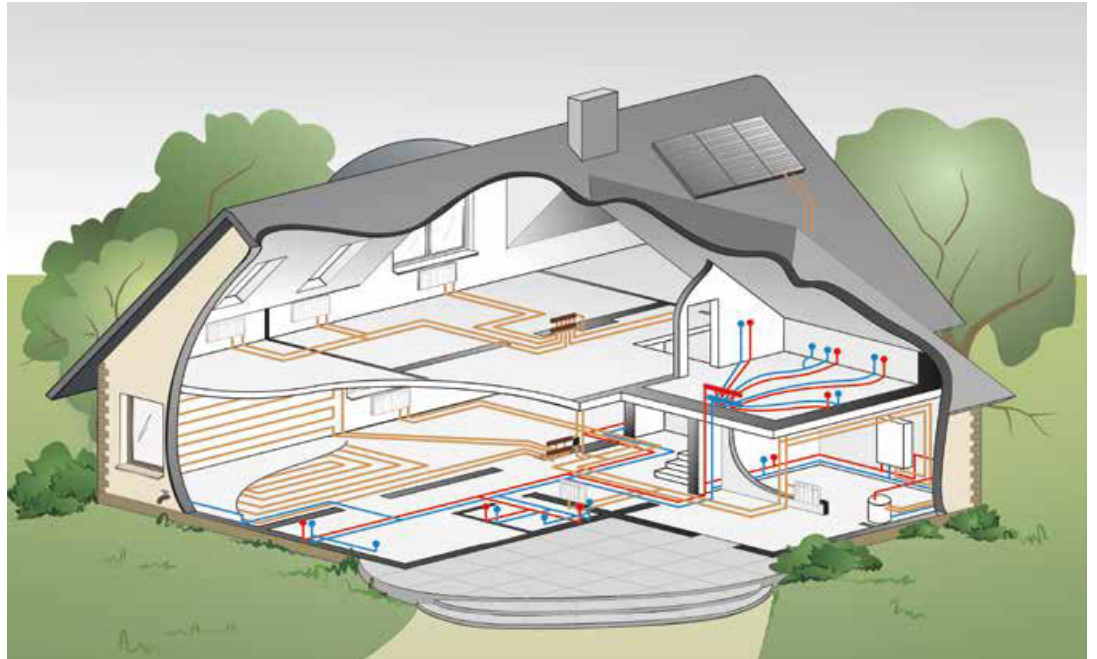
KAN-therm Steel, KAN-therm Inox and KAN-therm Copper installations may be covered with plaster or screed only if the thermal elongation of pipelines is properly compensated and elements are protected against chemistry of construction components. To enable it, pipes and fittings should be laid in flexible material, e.g. waterproof foam insulation with closed cells. The possibility of contact with moisture, environment containing chlorine or chloride ions or other corrosive environment should also be eliminated by using, for example, full moisture tight insulation.

Examples of conducting KAN-therm Steel and KAN-therm Inox
A. under plaster
B. in flooring layers



Layout of KAN-therm installation

Due to a wide selection of pipe types and joint techniques, KAN-therm will allow executing any type of water supply or heating installation. This concerns both new and renovated buildings.



Distribution layout

Receivers (radiators, taps) are fed by separate pipes conducted in floor layers from a KAN-therm manifold. Manifolds are located in on-plaster or sub-plaster KAN-therm boxes or in installation shafts. There are no joints in a floor shaft. There is a possibility of cutting off a medium from each receiver.

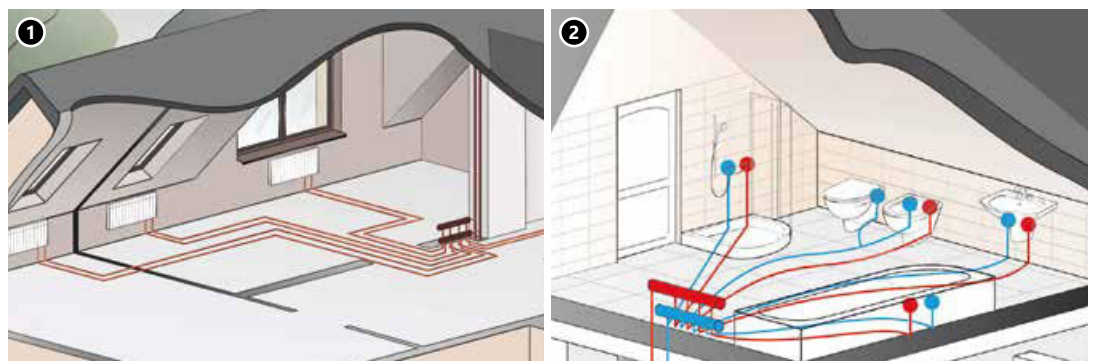
Use: radiator heating installations, hot and cold tap water installations.

Pipe types: KAN-therm PE-RT, PE-X, PERT², multilayer pipes, in rolls.

Receiver connections: KAN-therm UltraLine, KAN-therm Push/Push Platinum, KAN-therm Press systems, screwed clamps.

Manifold connections: multilayer KAN-therm pipes, KAN-therm PP, Steel, Inox and copper pipes in bars.

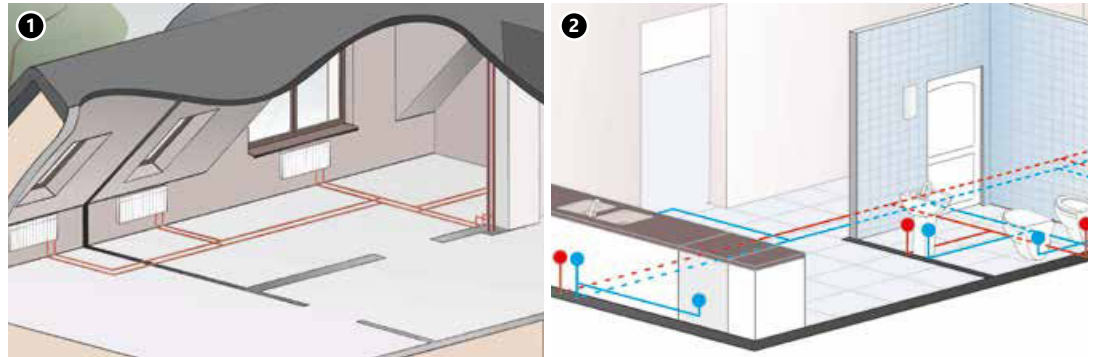
1. Manifold system on a heating installation
2. Manifold system on a water supply installation



Tee system

Receivers are fed from installation risers through a network of pipes conducted in floor layers and in walls. Pipe diameters are gradually decreased towards the receivers. There are pipe joints in floor layers (possibly under plaster). Compared to the manifold system, the number of pipes used to connect devices is lower, however, bigger diameters are used.

1. Tee system in a heating installation.
2. Tee system in a water supply installation



Use: radiator heating installations, hot and cold tap water installations, new buildings.

Pipe type: KAN-therm PE-RT, PE-X, PERT², multilayer pipes and KAN-therm PP, in rolls and bars.

Receiver connections: KAN-therm UltraLine, KAN-therm Push/Push Platinum, KAN-therm Press systems or welded PP systems, threaded joints. Tee connections – only KAN-therm UltraLine, Push/Push Platinum and Press or welded PP systems (threaded joints may not be used).

Feed risers (horizontal): KAN-therm multilayer, PP, Steel, Inox and copper pipes in bars.

Manifold – tee system (mixed)

A system based on manifolds, but some manifold pipelines may branch-off. There is a possibility of reducing the number of manifold connections and thus to reduce the total length of pipelines. Tee connections – only KAN-therm UltraLine, Push and Press pressed joints or PP welded joints (threaded joints may not be used).

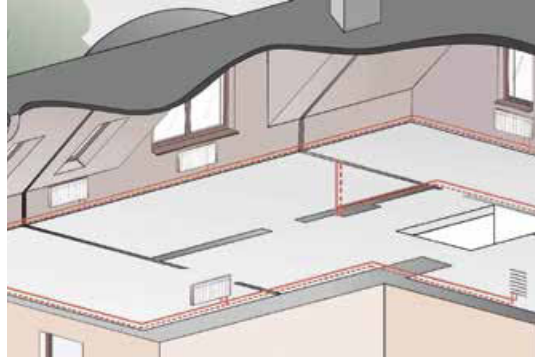
Manifold – tee system in a heating installation



Loop system

Receivers are fed by a single pipelines conducted in the vicinity of walls, forming one open or closed loop. Pipes may be conducted in floor layers, atop walls or in baseboards. There is a possibility of using them in one-pipe systems. In two-pipe systems, you may also design a simple Tichelmann hydraulic balancing installation. There is a possibility of using it in existing buildings.

Loop system in a two-pipe heating installation



Use: radiator heating installations, hot and cold tap water installations, technological installations, new and renovated buildings.

Pipe type: KAN-therm PE-RT, PE-X, PERT², PP, multilayer pipes, in rolls and bars. KAN-therm Steel and Inox pipes (only atop walls).

Receiver connections: KAN-therm UltraLine, Push/Push Platinum, Press or welded PP systems, screwed joints. Tee connections – UltraLine, Push and Press, PP or threaded (only atop walls).

Feed risers: multilayer KAN-therm pipes, PP, Steel, Inox and copper pipes, in bars.

“Vertical” system

A traditional system for feeding receivers, rarely used in new construction projects. Each receiver (or a group of receivers e.g. a water supply junction) is powered by a separate riser. This system is primarily used in renovations of old installations.

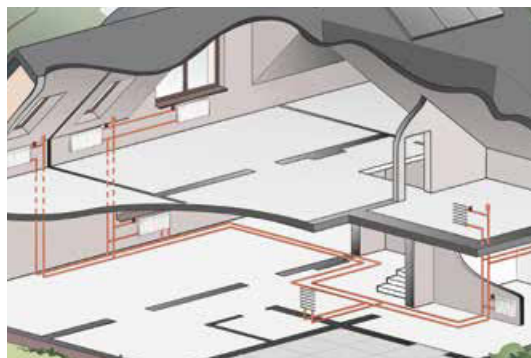
Use: radiator heating installations, hot and cold tap water installations, new and renovated buildings.

Pipe type: multilayer KAN-therm pipes, PP, Steel, Inox and copper, in bars.

Receiver connections: KAN-therm UltraLine, Press systems or welded KAN-therm PP systems, threaded joints.

Feed risers: multilayer KAN-therm pipes, PP, Steel and Inox pipes, in bars.

“Vertical” system in a heating installation



8.5 Connecting installation made of plastic pipes to the heat sources

In order to protect the elements of the piping made of plastics against the direct effects of high temperature of the heat source or other device that may cause excessive heat generation, it is recommended to use a section of metal pipe with a length of not less than 1 m.

All heat sources connected to the installation made of plastics should be protected against exceeding the maximum temperature allowed for the given type and structure of the pipe:

- PE-X, PE-RT, PERT², PP – 90 °C,
- PE-Xc/Al/PE-HD Platinum, PE-RT/Al/PE-RT, PERTAL² – 95 °C,
- BlueFloor PERT – 70 °C.

Radiator connections

Radiators in modern heating installations may be side-fed (type C) or bottom-fed (type VK). KAN-therm Systems offer a wide selection of joints and elements for connecting both types of radiators.

Side-fed radiators – on-plaster installation

Radiator connection
(connection pipe and return
pipe) in the
KAN-therm Steel System



A rare type of radiator connections, primarily used in renovations or replacements of old installations; pipes are connected to radiators with the use of standard system joints with threads.

In the case of multilayer KAN-therm UltraLine, KAN-therm Press pipes or polypropylene KAN-therm PP pipes, connection pipes must be conducted on walls, maintaining the maximal distances between clamps and observing the principles of compensating for elongations. We recommend conducting plastic connection pipes in wall furrows or to hide them behind covers.

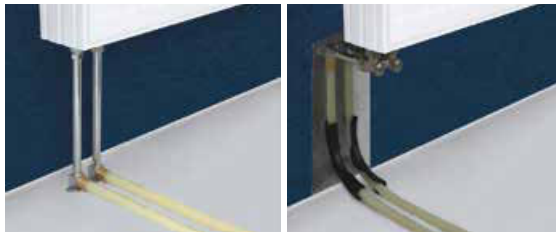
In metal KAN-therm Steel, Inox and Copper heating installations, the predominant layout is riser – connection pipes – radiator, in which pipes are connected to radiators using system joints with threads. When modernizing an installation, radiator connections should “trace” the old steel connection pipes.

Side-fed radiators – sub-plaster installation



KAN-therm UltraLine, Push/Push Platinum, KAN-therm Press and KAN-therm PP Systems offer simple ways to connect side-fed radiators, as well as bathroom radiators (tab. Examples of side-fed radiator connections – sub-plaster installations).

Bottom-fed radiators – sub-plaster installation

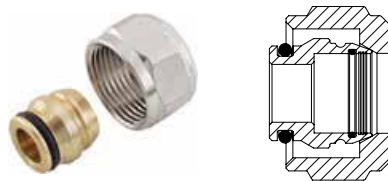


The most optimal solution for connecting bottom-fed radiators is offered by the KAN-therm UltraLine, Push/Push Platinum and Press Systems, basing on special fittings (elbows and tees) with 15 mm copper pipes or 16 mm multilayer pipes (tab. Examples of bottom-fed radiator connections – sub-plaster installations).

Union connectors for metal pipes

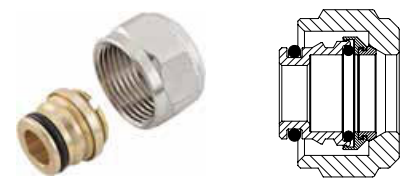
System KAN-therm offer includes three types of union connectors for metal pipes. Union connector for copper pipe G $\frac{3}{4}$ " 1709043005 and G $\frac{1}{2}$ " 1709043003 can work with nickel-plated copper pipes with a diameter of 15 mm. Universal union connector for pipes 1709043010 can work with metal pipes (copper, nickel-plated copper, KAN-therm Steel and Inox pipes with a diameter of 15 mm). The design of the universal union allows its multiple use.

1709043005
1709043003

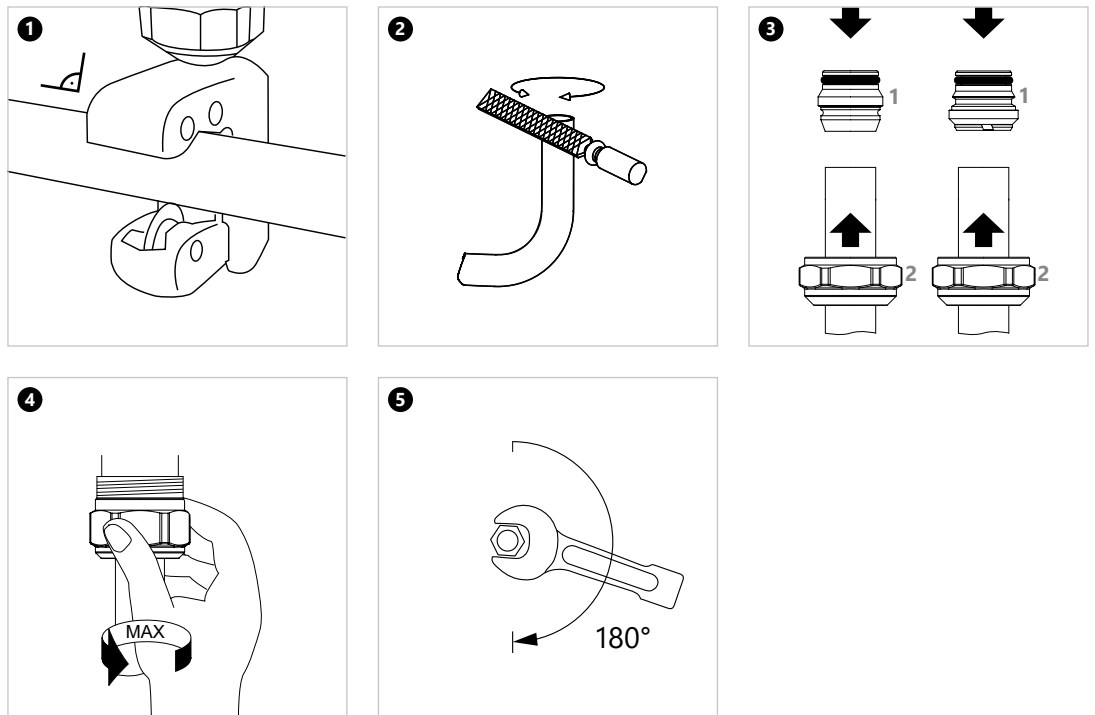


Cu 15 mm

1709043010



Cu 15mm
Steel/Inox 15 mm



Water supply device connections

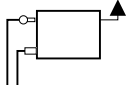





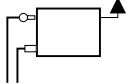




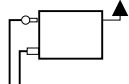


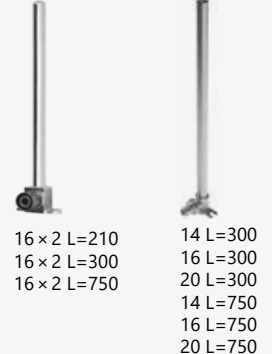
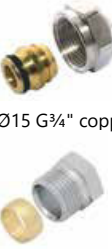






All KAN-therm Systems (with the exception of KAN-therm Steel) offer special fittings used for connecting water supply installation devices (tap connections).

Examples of KAN-therm UltraLine, Push/Platinum and Press Systems connections are presented in the table.

1. KAN-therm Push System connection.
2. KAN-therm PP System tap connection.
3. KAN-therm Press System angle tap connection, screwed.



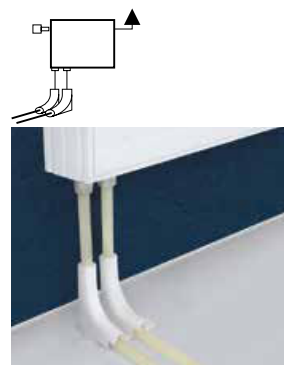



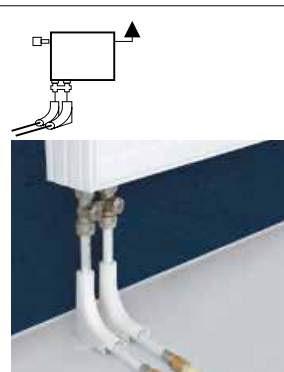
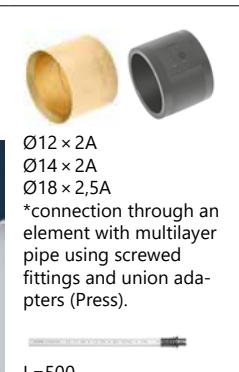


Radiator connections

Diagram/Description/Photo	KAN-therm connecting element			Supplementary elements
	Push/Platinum	Press	UltraLine	
SIDE-FED RADIATORS (TYPE C) – WALL CONNECTIONS				
Direct connection				
  wall connection using pressed union adapters	 Platinum Ø14 × 2 G $\frac{3}{4}$ " Ø18 × 2,5 G $\frac{3}{4}$ " only for Platinum pipes!	 Ø14 G $\frac{1}{2}$ " Ø14 G $\frac{3}{4}$ " Ø16 G $\frac{1}{2}$ " Ø14 G $\frac{3}{4}$ " Ø20 G $\frac{3}{4}$ "	 Ø14 G $\frac{3}{4}$ " Ø16 G $\frac{3}{4}$ "	 G $\frac{1}{2}$ " nipple G $\frac{3}{4}$ " × G $\frac{1}{2}$ " reduction nipple plastic guide
Direct connection				
  wall connection using press fittings with male thread	 Ø14 × 2 G $\frac{3}{4}$ " Ø18 × 2,5 G $\frac{1}{2}$ " Ø18 × 2,5 G $\frac{3}{4}$ "	 Ø14 Ø16 Ø20	 plastic guide	
Connection utilizing fixed elbows with nickel plated copper pipes				
  single-sided wall connection	 Ø12 × 2A Ø14 × 2A Ø18 × 2,5A	 16 × 2 L=210 16 × 2 L=300 16 × 2 L=750 14 L=300 16 L=300 20 L=300 14 L=750 16 L=750 20 L=750	 Ø15 G $\frac{3}{4}$ " copper pipe union Ø15 G $\frac{1}{2}$ " copper pipe union	 plastic guide G $\frac{1}{2}$ " × G $\frac{1}{2}$ " fitting
 cross wall connection	 12 × 2 L=210 14 × 2 L=210 12 × 2 L=300 14 × 2 L=750 18 × 2,5 L=210 18 × 2,5 L=300 18 × 2,5 L=750	 14 L=300 16 L=300	 G $\frac{1}{2}$ " × G $\frac{1}{2}$ " fitting	 Ø14 Ø16 Ø20

Diagram/Description/Photo	KAN-therm connecting element			Supplementary elements
	Push/Platinum	Press	UltraLine	

BOTTOM-FED RADIATORS (TYPE VK) – FLOOR CONNECTIONS

Direct connection using pressed union adapters

 <p>without connection valves</p>	 <p> $\text{\O}12 \times 2 \text{ G}1/2''$ $\text{\O}12 \times 2 \text{ G}3/4''$ $\text{\O}14 \times 2 \text{ G}1/2''$ $\text{\O}14 \times 2 \text{ G}3/4''$ $\text{\O}16 \times 2 \text{ G}3/4''$ $\text{\O}18 \times 2,5 \text{ G}3/4''$ </p> <p> $\text{\O}14 \times 2 \text{ G}3/4''$ $\text{\O}16 \times 2 \text{ G}3/4''$ only for Platinum pipes! </p>	 <p> $\text{\O}14 \text{ G}1/2''$ $\text{\O}14 \text{ G}3/4''$ $\text{\O}16 \text{ G}1/2''$ $\text{\O}16 \text{ G}3/4''$ $\text{\O}20 \text{ G}3/4''$ </p> <p> $\text{\O}14 \text{ G}3/4''$ $\text{\O}16 \text{ G}3/4''$ $\text{\O}20 \text{ G}3/4''$ </p>	 <p>plastic elbow</p> <p>plastic pipe end cap</p>
 <p>with simple connection valves (single or integrated)</p>	 <p> $\text{\O}12 \times 2A$ $\text{\O}14 \times 2A$ $\text{\O}18 \times 2,5A$ *connection through an element with multilayer pipe using screwed fittings and union adapters (Press). </p> <p> $L=500$ $\text{\O}16 \times 2 / 18 \times 2,5$ </p>	 <p> $\text{\O}16 \text{ G}1/2''$ $\text{\O}16 \text{ G}3/4''$ $\text{\O}20 \text{ G}3/4''$ </p>	 <p>plastic elbow</p> <p>plastic pipe end cap</p>

Diagram/Description/Photo	KAN-therm connecting element			Supplementary elements
	Push/Platinum	Press	UltraLine	

BOTTOM-FED RADIATORS (TYPE VK) – FLOOR CONNECTIONS

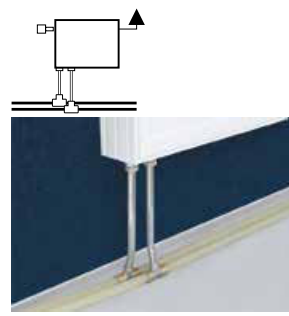





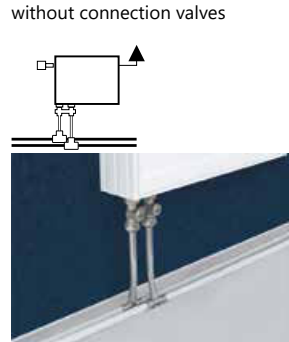





Connection with simple elbows (single or double) and Cu 15 mm pipes

	<p>Ø12 × 2A Ø14 × 2A Ø18 × 2,5A</p>	<p>Ø16 × 2 L=200 Ø16 × 2 L=300</p> <p>Ø14 × 2 L=300 Ø16 × 2 L=300 Ø20 × 2 L=300</p>	<p>Ø15 G³/₄" copper pipe union</p>
<p>without connection valves</p>	<p>Ø12 × 2 L=200 Ø14 × 2 L=200 Ø12 × 2 L=300 Ø18 × 2,5 L=200 Ø18 × 2,5 L=300</p>	<p>Ø16 × 2,5 L=210 Ø16 × 2,5 L=300 Ø16 × 2,5 L=750</p> <p>Ø14 × 2 L=300 Ø16 × 2 L=300 Ø20 × 2 L=300 Ø14 × 2 L=750 Ø16 × 2 L=750 Ø20 × 2 L=750</p>	<p>G¹/₂" × G¹/₂" joint body</p> <p>Ø15 G¹/₂" copper pipe union</p>
<p>with connection valves</p>	<p>Ø12 × 2 L=210 Ø14 × 2 L=210 Ø12 × 2 L=300 Ø14 × 2 L=750 Ø18 × 2,5 L=210 Ø18 × 2,5 L=300 Ø18 × 2,5 L=750</p>	<p>Ø14 Ø16 Ø20</p>	<p>Ø15 G¹/₂" copper pipe union</p>

Diagram/Description/Photo	KAN-therm connecting element			Supplementary elements
	Push/Platinum	Press	UltraLine	

BOTTOM-FED RADIATORS (TYPE VK) – FLOOR CONNECTIONS

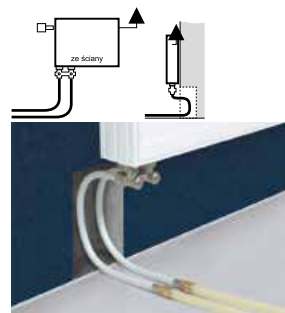
Connections with Ø15 mm copper pipe

 <p>without connection valves</p>	 <p>Ø12 × 2A Ø14 × 2A Ø18 × 2,5A Ø25 × 3,5A Ø32 × 4,4A</p>	 <p>L=300 Ø16 × 2 / Ø16 × 2 Ø20 × 2 / Ø20 × 2 Ø20 × 2 / Ø16 × 2 left Ø20 × 2 / Ø16 × 2 right</p>	 <p>L=300 Ø14 × 2 / Ø14 × 2 Ø16 × 2 / Ø16 × 2 Ø20 × 2 / Ø20 × 2 Ø16 × 2 / Ø14 × 2 left Ø16 × 2 / Ø14 × 2 right</p>	 <p>Ø15 G½" copper pipe ring</p>  <p>G½" × G½" fitting</p>
 <p>with connection valves</p>	 <p>L=300 Reduction Ø18 × 2,5 / Ø18 × 2,5 left Ø18 × 2,5 / Ø18 × 2,5 right Ø25 × 3,5 / Ø18 × 2,5 left Ø25 × 3,5 / Ø18 × 2,5 right Ø32 × 4,4 / Ø25 × 3,5 left Ø32 × 4,4 / Ø25 × 3,5 right</p>	<p>L=750 Ø16 × 2 / Ø16 × 2 Ø20 × 2 / Ø20 × 2 Ø20 × 2 / Ø16 × 2 left Ø20 × 2 / Ø16 × 2 right</p>	<p>L=750 Ø14 × 2 / Ø14 × 2 Ø16 × 2 / Ø16 × 2 Ø20 × 2 / Ø20 × 2 Ø16 × 2 / Ø14 × 2 left Ø16 × 2 / Ø14 × 2 right Ø20 × 2 / Ø16 × 2 left Ø20 × 2 / Ø16 × 2 right</p>	 <p>Ø15 G½" copper pipe union</p>  <p>Ø15 G¾" copper pipe union</p>
	<p>L=750 Ø14 × 2 / Ø14 × 2 Ø18 × 2,5 / Ø18 × 2,5 Ø25 × 3,5 / Ø25 × 3,5 Ø32 × 4,4 / Ø32 × 4,4</p> <p>L=750 Reduction Ø18 × 2,5 / Ø18 × 2,5 left Ø18 × 2,5 / Ø18 × 2,5 right Ø25 × 3,5 / Ø18 × 2,5 left Ø25 × 3,5 / Ø18 × 2,5 right Ø32 × 4,4 / Ø25 × 3,5 left Ø32 × 4,4 / Ø25 × 3,5 right</p>	 <p>Ø14 Ø16 Ø20</p>	 <p>End cap for Cu Ø15 pipe</p>	

Diagram/Description/Photo	KAN-therm connecting element			Supplementary elements
	Push/Platinum	Press	UltraLine	

BOTTOM-FED RADIATORS (TYPE VK) – WALL CONNECTIONS

Direct connection



to angle block



- Ø12 × 2 G $\frac{1}{2}$ "
- Ø12 × 2 G $\frac{3}{4}$ "
- Ø14 × 2 G $\frac{1}{2}$ "
- Ø14 × 2 G $\frac{3}{4}$ "
- Ø16 × 2 G $\frac{3}{4}$ "
- Ø18 × 2,5 G $\frac{3}{4}$ "



- L=500
- Ø16 × 2 / Ø14 × 2
- Ø16 × 2 / Ø14 × 2
- Ø16 × 2 / Ø18 × 2,5



- Ø14 × 2 G $\frac{3}{4}$ "
- Ø18 × 2,5 G $\frac{3}{4}$ "
- only for Platinum pipes!



- Ø14 G $\frac{1}{2}$ "
- Ø14 G $\frac{3}{4}$ "
- Ø16 G $\frac{1}{2}$ "
- Ø16 G $\frac{3}{4}$ "
- Ø20 G $\frac{3}{4}$ "



- Ø16 G $\frac{1}{2}$ "
- Ø16 G $\frac{3}{4}$ "
- Ø20 G $\frac{3}{4}$ "



- Ø15 G $\frac{3}{4}$ " copper pipe union



- G $\frac{1}{2}$ " × G $\frac{1}{2}$ " fitting



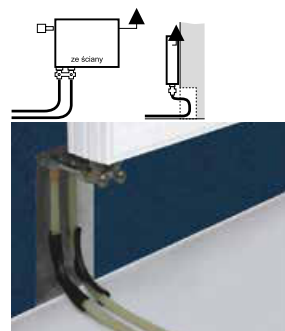
- Ø15 G $\frac{1}{2}$ " copper pipe union



- Ø15 G $\frac{1}{2}$ " copper pipe union

Connection with single or double fixed elbow with copper pipes

UltraLine



(with a Cu 15 mm pipe) for angle valve block



- Ø12 × 2A
- Ø14 × 2A
- Ø18 × 2,5A



- Ø12 × 2 L=210
- Ø14 × 2 L=200
- L=300
- Ø18 × 2,5 L=200
- L=300



- Ø16 × 2 L=210
- Ø16 × 2 L=300
- Ø16 × 2 L=750



- Ø16 × 2 L=200
- Ø16 × 2 L=300



- Ø14 × 2 L=300
- Ø16 × 2 L=300
- Ø20 × 2 L=300
- Ø14 × 2 L=750
- Ø16 × 2 L=750
- Ø20 × 2 L=750



- Ø14 × 2 L=300
- Ø16 × 2 L=300
- Ø20 × 2 L=300



- Ø14
- Ø16
- Ø20



- Ø15 G $\frac{3}{4}$ " copper pipe union



- G $\frac{1}{2}$ " × G $\frac{1}{2}$ " fitting

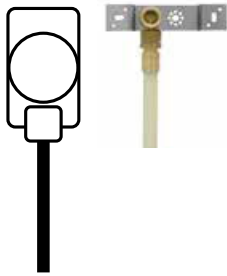




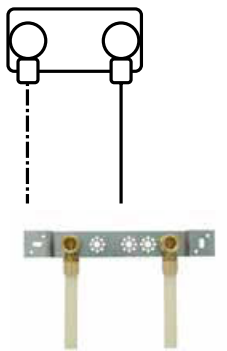



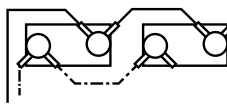


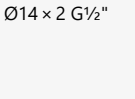


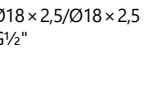




- Ø15 G $\frac{1}{2}$ " copper pipe union



- Ø15 G $\frac{1}{2}$ " copper pipe union

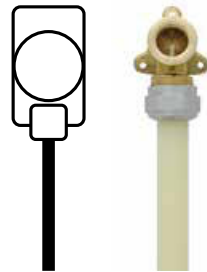
Tap connections

Diagram/Description/Photo	KAN-therm Connecting Element			Supplementary elements
	Push/Push Platinum	Press	UltraLine	
SYSTEM CONNECTIONS - FLUSH INSTALLATIONS (IN FURROWS), SURFACE INSTALLATIONS AND IN DRY SCREED				
Single connection				
	 <p>Ø12 × 2A Ø14 × 2A Ø18 × 2,5A</p>	 <p>Not suitable for dry screed Ø16 × 2 G½" Ø20 × 2 G½"</p>	 <p>Ø14 Ø16 Ø20</p>	<p>mounting plates</p>  <p>double (L=50, 80, 150 mm) double L=50</p>
		<p>Not suitable for dry screed Ø12 × 2 G½" Ø14 × 2 G½" Ø18 × 2,5 G½"</p>  <p>Ø14 × 2 G½" Ø18 × 2,5 G½"</p>  <p>Ø18 × 2,5 G½"</p>	<p>Ø16 × 2 G½" Ø20 × 2 G½"</p>	
Joint with outlet				
	 <p>Ø18 × 2,5/Ø18 × 2,5 G½"</p>	 <p>Ø14 × 2 G½"</p>		<p>mounting plates</p>  <p>double (L=50, 80, 150 mm) double L=50</p>
				

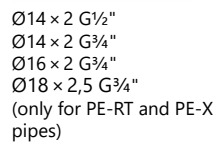
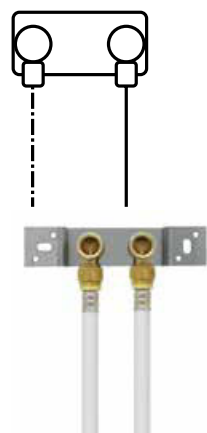
Diagram/Description/Photo	KAN-therm connecting element		Supplementary elements
	Push/Platinum	Press	

SCREWED CONNECTIONS (UNION ADAPTERS) - ON-PLASTER INSTALLATIONS

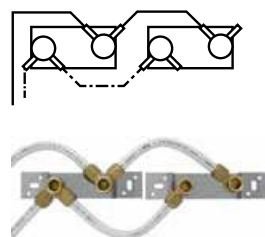
Single connection

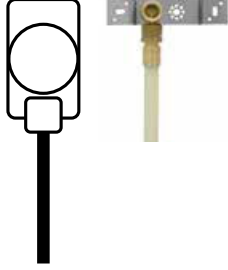




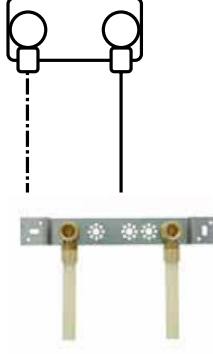






Double connection (tap)



Joint with outlet



Diagram/Description/Photo	KAN-therm connecting element		Supplementary elements
	Push/Push Platinum	Press	
SCREWED JOINTS WITH FITTINGS WITH FEMALE THREADS – ON-PLASTER INSTALLATIONS			
<p>Single connection</p> 	<p> $\text{\O}14 \times 2 \text{G}1/2''$ $\text{\O}18 \times 2,5 \text{G}1/2''$ $\text{\O}25 \times 3,5 \text{G}1/2''$ $\text{\O}14 \times 2''$ $\text{\O}18 \times 2,5 \text{A}$ $\text{\O}25 \times 3,5 \text{AA}$ </p> 	 <p> $\text{\O}16 \times 2 \text{G}1/2''$ $\text{\O}20 \times 2 \text{G}1/2''$ </p>  <p> $\text{\O}16 \times 2 \text{G}1/2''$ </p>	<p>mounting plates</p>  <p> double (L=50, 80, 150 mm) double L=50 </p>
<p>Double connection (tap)</p> 	<p> $\text{\O}14 \times 2 \text{G}1/2''$ $\text{\O}14 \times 2 \text{G}1/2''$ $\text{\O}16 \times 2 \text{G}3/4''$ $\text{\O}18 \times 2,5 \text{G}3/4''$ (only for PE-RT and PE-X pipes) </p>  <p> $\text{G}1/2''$ </p>  <p> $\text{G}1/2''$ </p>	 <p> $\text{G}1/2''$ </p>  <p> $\text{G}1/2''$ </p>	

8.6 Compressed air installations in System KAN-therm

Apart from being used in standard heating and potable water installations, System KAN-therm components can be successfully used to build quite specific compressed air installations. The compressed air distribution system is a collection of pipes, fittings (elbows, tees, reducers) and couplings used for its transport from the place of production to the points of consumption (machines, tools). Each of the above mentioned elements should be properly selected according to the user's needs and the quality, quantity and pressure of the transmitted air.

The piping system that transports compressed air to the collection points is one of the most important parts of the entire installation. This includes both main transmission pipelines and machine connections. Poorly sized and assembled elements (e.g. too small diameters of transmission or connection pipelines, too "complicated" installation) will generate large pressure drops, and thus higher operating costs. This will be due to the higher energy consumption of the compressors and the need to operate at high pressure. Lowering the operating pressure of the compressor by 1 bar, reduces energy consumption by more than 7%.

The scope of application of System KAN-therm in compressed air installations

Purity class acc. to ISO 8573-1							Remarks
	1	2	3	4	5	6	
	Humidity [mg/m ³]	3	120	880	6000	7800	
Oli content [mg/m ³]	0,01	0,1	1	5	25	>25	
KAN-therm UltraLine	+	+	+	+	+	-	p _{max} = 10 bar
KAN-therm Push / Platinum	+	+	+	+	+	-	p _{max} = 10 bar
KAN-therm Press	+	+	+	+	+	-	p _{max} = 10 bar
KAN-therm PP PN16	+	+	+	+	+	-	p _{max} = 16 bar at 20 °C or 10 bar at 40 °C
KAN-therm PP PN20	+	+	+	+	+	-	p _{max} = 20 bar at 20 °C or 10 bar at 60 °C
KAN-therm Steel	+	+	+	-	-	-	p _{max} = 16 bar 12-66,7 mm; 12,5 bar 76,1 mm; 10 bar >76,1 mm
KAN-therm Inox	+	+	+	+	+	*	p _{max} = 16 bar 12-54 mm; 12,5 bar 76,1 mm; 10 bar >76,1 mm
KAN-therm Copper	+	+	+	+	+	*	p _{max} = 16 bar 12-54 mm; 12,5 bar 76,1 mm; 10 bar >76,1 mm

- + possible area of application provided that synthetic oils are used as compressor lubricants (the use of mineral oils is prohibited)
- * possible use after replacing the seals with Viton, also when using mineral oils as compressor lubricants
- application not allowed

8.7 Rinsing, tightness tests and disinfection of KAN-therm installations

After completing, the KAN-therm installation should be rinsed and pressure tested. It should be done before pouring screed on the pipes, and covering the furrows and channels.

Perform a leak test with water. If the conditions do not allow conducting a water test (e.g. low temperatures), you may also conduct a compressed air test.



Notice

If there is a need to empty a KAN-therm Steel installation after the test, we recommend conducting the test using compressed air.

Before starting the test:

- disconnect fixtures and devices which could distort the results of the test (e.g. retention reservoirs, safety valves) or which could get damaged during the test,
- thoroughly rinse the installation, rinsing the installation should be performed with treated water or with the medium to be ultimately transported through the installation. During the flushing process, it should be ensured that the full capacity of the installation is replaced at least once,
- fill the installation with clear water and de-air it,
- stabilize water temperature in comparison to air temperature.

Use a shield manometer with a scope exceeding the working pressure by 50% and minimum graduation of 0,1 bar. The manometer should be mounted on the lowest point of the installation. Ambient temperature of the installation should not change.

Test pressure values (depending on the type of installation) and test conditions for all KAN-therm Systems are presented in the table.

After finishing the pressure test, you must write a report specifying the test pressure, the course of the test according to the procedure, pressure drop values and a statement whether the test ended with a positive (or negative) result. The report can be written as a form.

After a positive result of the pressure test, heating installations and hot tap water installations must be tested with the use of hot water (hot pressure test).

Test pressure value P_{op} [bar]		
	Hydraulic test	Compressed air test
Heating and ice water installations	$P_{work} + 2$ [bar] but not less than 4 [bar]	1,5 to 3,0 [bar]*
Water supply installations	$P_{work} \times 1,5$ [bar]	

*The maximum test pressure with compressed air is limited to 3,0 [bar] for safety reasons. It is acceptable to use a higher pressure, not exceeding the permissible operating pressure of the particular system in the compressed air installation, on the condition that the safety of personnel is ensured.

Step 1 – Preliminary test with reduced pressure		
Installation system	UltraLine, Push, Push Platinum, Press, PP, surface heating	Steel, Inox, Copper
Preliminary test pressure	1,0 to 4,0 bar (treated water) or 1,5 to 2,0 bar (compressed air)	
Preliminary test time	Enabling a visual check of all connections	
Acceptance conditions	No drizzle or leaks	
Step 2 – Primary preliminary test with test pressure P_{op}		
Installation system	UltraLine, Push, Push Platinum, Press, PP, surface heating	Steel, Inox, Copper
Test time	60 min (including 3 times every 10 minutes in the first half, raise the test pressure to the primary value)	Not present
Acceptable pressure drop	0,6 [bar]	
Acceptance conditions	No drizzle or leaks	
Step 3 - Main test with test pressure P_{op}		
Installation system	UltraLine, Push, Push Platinum, Press, PP, surface heating	Steel, Inox, Copper
Test time	120 min	30 min
Acceptable pressure drop	0,2 [bar]	0,0 [bar]
Acceptance conditions	No drizzle, leaks and excessive pressure drop	

Note: It is acceptable to skip the preliminary test under reduced pressure (step 1), as long as the LBP function is not used.

Compressed air pressure test

According to the guidelines of the Technical Conditions for Execution and Commissioning of Heating and Water Supply Installations, in justified cases (e.g. danger of freezing or excessive corrosion), it is allowed to carry out a pressure test using compressed air only.

The air used for the test cannot contain any oils. In case of System KAN-therm Steel, the compressed air should also be free of moisture. The maximal pressure value for the pre-test is 3 bar (0,3 MPa). Ambient temperature of the installation should not change (max ± 3 °C). All leaks revealed can be traced acoustically or with the use of a foaming liquid. Test results are considered positive when no installation leaks are detected and no pressure drops occur on the manometer.

Caution: Some of the foaming agents used to locate leaks during leak testing with compressed air may adversely affect the material of pipes and fittings. Before using them, consult with KAN Technical Department.

8.8 System KAN-therm installation disinfection

KAN-therm systems (except from KAN-therm Steel) are suitable for the construction of drinking water installations and have the necessary hygiene certificates. The selection of construction materials does not affect the multiplication of pathogenic organisms or deterioration of the properties of drinking water.

However, due to errors in the construction process or during the use of the installation, as well as periods of downtime or contamination of tap water, it may be necessary to disinfect the installation. It should be remembered that disinfection removes only the effects of contamination - before it is carried out, the causes of contamination of the medium must be removed.

Thermal disinfection

Thermal disinfection is performed with clean, treated water at an increased temperature. In order to effectively carry out thermal disinfection, it must be ensured that at all points of tap water consumption there is an outflow of water at a temperature of 70 °C in not less than 3 minutes. Care must be taken to ensure that the permissible operating parameters (maximum permissible temperature as a function of operating pressure) of the relevant installation system are not exceeded at any point in the installation. At the same time, it is necessary to ensure the safety of all users of the given installation (minimize the risk of burns).

Please note that the operation of the installation at elevated temperatures shortens the service life of the construction materials used, therefore it should be performed only periodically.

Chemical disinfection

Chemical disinfection can be performed in drinking water installations made of all KAN-therm systems. Chemical disinfection is carried out at ambient temperature (not higher than 25 °C) with the use of reagent doses and exposure time specified by the compound manufacturer. Before using a chemical agent, it is necessary to obtain a written confirmation that it does not adversely affect the components of the installation. During chemical disinfection, water should not be drawn from the system for drinking purposes.

Examples of chemical disinfection agents approved for use with KAN-therm systems:

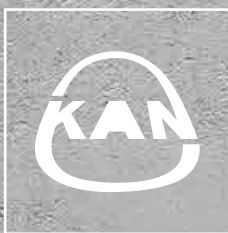
Name of the substance	Max. permissible concentration	Time of reaction
Hydrogen peroxide H ₂ O ₂	150 mg/l of active ingredient	
Sodium hypochlorite NaOCl	50 mg/l of active ingredient	
Calcium hypochlorite Ca(OCl) ₂	50 mg/l of active ingredient	max. 12 h
Chlorine dioxide ClO ₂	6 mg/l of active ingredient	



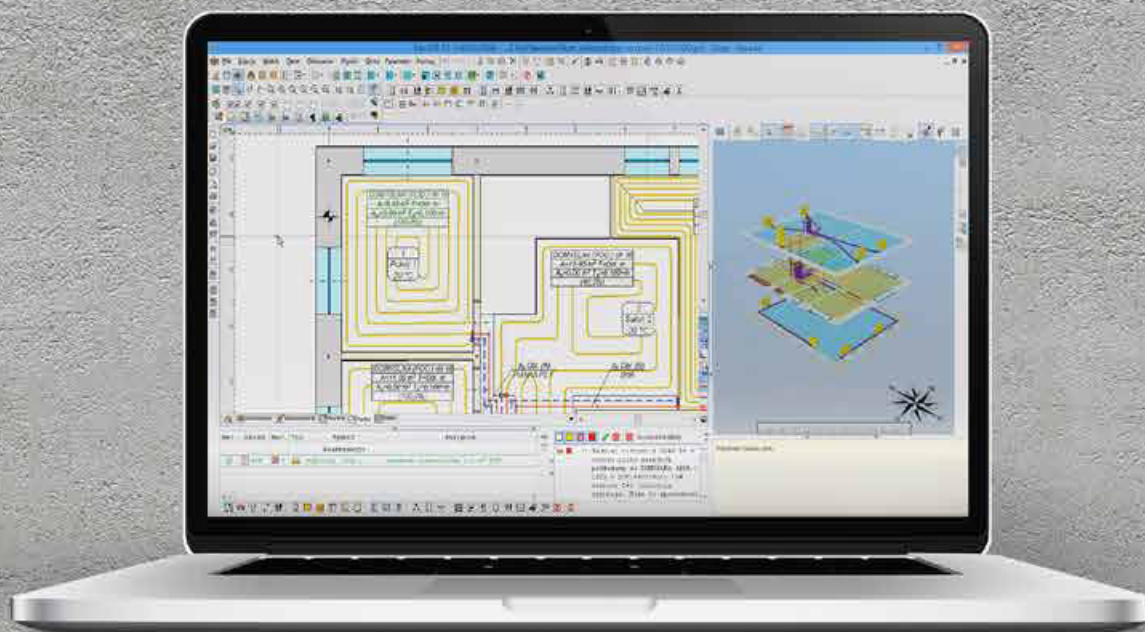
The above-mentioned concentrations and reaction times of the substances must not be exceeded at any point in the installation.



Use personal protective equipment when dosing chemicals. It is unacceptable to use a combination of thermal disinfection and chemical disinfection.



Install your **future**



SYSTEM **KAN-therm**

Designing an installation

Table of contents

9	Designing an installation	
9.1	KAN-therm software supporting the design process	215
9.2	Hydraulic dimensioning of KAN-therm installations	216
	Dimensioning water supply installations	216
	Dimensioning central heating installations	218
9.3	Thermal insulation of KAN-therm installations	219

9 Designing an installation

9.1 KAN-therm software supporting the design process

The principles of designing KAN-therm water supply and heating installations are similar to all commonly used installations basing on applicable standards and guidelines for dimensioning. KAN recommends using company programs supporting the design process, significantly improving the calculation process. These software contains catalogs of all KAN-therm systems currently in offer. This way, designers get access to universal tools allowing them to set any dimensions for any available installation technique.

The complete KAN software offer includes:

- ① **KAN OZC program for supporting the calculation of the design heat loads of rooms, determining the seasonal demand for heating and cooling energy in buildings and the preparation of Energy Certificates for buildings and their parts. The software also perform moisture analysis of building partitions.**
- ② **The KAN SET software is a comprehensive design support tool that combines in one project the calculation of cold and hot water installations with circulation as well as central heating and cooling installations. It consists of three modules:**
 - Central heating system module, including radiant / underfloor heating.
 - Cold and hot water installation module with circulation.
 - Central cooling system module.
- ③ **KAN SET for REVIT overlay - plug-in for Autodesk® Revit®. It allows for an import of a project from KAN SET Pro to the Autodesk® Revit® environment. The plugin enables easy and convenient design of installations using KAN-therm products.**

More information available at www.kan-therm.com

9.2 Hydraulic dimensioning of KAN-therm installations

Below, we present the basic formulas and interrelations as well as recommendations for traditional dimensioning of pipe diameters, calculating heat loss parameters and providing hydraulic balance to water supply and heating installations. Appendix to Guide "Tables for hydraulic calculations of KAN-therm water supply and heating installations" is an integral part of this chapter.

Dimensioning water supply installations

The course of designing KAN-therm installations is based on principles defined by specified standards. In contrast to traditional steel installations, thanks to the reduced roughness of the walls of plastic KAN-therm pipes and KAN-therm Inox pipes, the level of linear resistance is strongly reduced in general installation resistance rates. Hence, there is no need to increase pipe diameters to account for probable pipe scaling. The absolute roughness k coefficients of pipes should be taken in accordance with the values given in the previous parts of this study.

Calculation flow q of water in the installation is calculated according to formulas specified in the standard. For housing buildings, this calculation is defined basing on normative outflows from intakes specified in table 1 of the Appendix. After adding all normative outflows, we can calculate flow q or select it from the values specified in table 2 of the Appendix.

Estimated diameters of KAN-therm connection pipes to intake points

Nominal diameter of intake point d_n [mm]	Estimated diameters of connections to intake points				
	KAN-therm UltraLine pipes	PE-Xc, PE-RT KAN-therm Push pipes	Multilayer KAN-therm Press pipes	PP-R KAN-therm PP pipes	Stainless steel KAN-therm Inox pipes and copper pipes
15	14 × 2	14 × 2	14 × 2	16 × 2,7	15 × 1,0
	16 × 2,2	18 × 2,5	16 × 2	20 × 1,9 20 × 2,8 20 × 3,4	
20	20 × 2,8	25 × 3,5	20 × 2	20 × 1,9	18 × 1,0
	25 × 2,5			25 × 3,5 25 × 4,2	
25	32 × 3	32 × 4,4	25 × 2,5	25 × 2,3	22 × 1,2
			26 × 3	32 × 4,4 32 × 5,4	

Having the q value of permissible speeds on a given section of the installation, we can preliminarily mark the diameter of the pipe. The following step is calculating pressure loss Δp which is a sum of linear resistance $\Delta p_L = R \times L$ and local resistance Z on pipeline sections.

Linear pressure loss is calculated for particular pipeline sections basing on the generally applied formula:

$$\Delta p_L = R \times L = \lambda \times \frac{L}{d} \times \frac{v^2}{2} \times \rho$$

where:

R [Pa/m]	linear pressure loss unit
λ	hydraulic linear resistance coefficient taking into account the pipe roughness coefficient
L [m]	length of a pipe of a given diameter
d [m]	internal diameter of the pipe
v [m/s]	average flow speed inside the pipe
ρ [kg/m ³]	water density

In order to specify linear loss of pipeline directly (for various flows, pipe diameters and water temperatures 10° and 60°), use table 3 – 20 of the Appendix. Local loss Z is calculated basing on the following formula:

$$Z = \zeta \times \frac{v^2 \times \rho}{2}$$

where:

Z [Pa/m]	local loss (resistance) values
ζ	local resistance coefficient

Values of local resistance coefficients in KAN-therm Systems are provided in tables included in the "Appendix". ζ values are also provided for KAN-therm Inox fittings, together with replacement lengths corresponding to the local resistance values of these elements.

ζ values for other devices are specified in standard PN-76/M-34034 or by the manufacturers.

For plastic KAN-therm UltraLine, Push, Press and PP installations, the flow speed rates may exceed the values specified in the standard (in brackets):

Estimated flow speeds in KAN-therm water supply pipelines	[m/s]
in household water supply connections	v = 1,0 – 2,0 (1,5)
in manifold pipes	v = 1,0 – 2,0 (1,5)
in risers	v = 1,0 – 2,5 (2,0)
in sections to riser to devices	v = 1,5 – 3,0 (2,0)

A useful criterion for selecting pipe diameters may be the maximal permissible flow speed, depending on the duration of peak flow and the resistance coefficient of the fixtures mounted on the section of installation in calculation (acc. to DIN 1988).

Maximal flow speed in water supply installations

Pipe type	Maximal flow speed [m/s] for the duration of peak flow	
	≤ 15 min.	> 15 min.
Connections	2	2
Sections of distribution pipes with fixtures with low resistance coeff. (<2,5), e.g. ball valves	5	2
Sections of distribution pipes with fixtures with high resistance coeff. (>2,5), e.g. simple globe valves	2,5	2

Adopting higher speeds than in traditional metal pipe installations is possible thanks to considerably lower vulnerability of plastic KAN-therm pipes to vibrations and noise. We recommend the use of fixtures (valves) with low flow resistance rates.

In order to calculate the volume of hot and circulation water in pipes, assume the water capacity rates of KAN-therm pipes specified in tables "Dimension parameters of pipes" in chapters describing each KAN-therm System.

Dimensioning central heating installations

Hydraulic dimensioning of heating installations is based on selecting pipeline diameters as well as regulator diameters to ensure that a correct amount of medium reaches each heating device, and to ensure that the entire installation is hydraulically balanced.

KAN-therm pipes for central heating installations should be dimensioned in accordance with applicable standards.

A useful criterion for selecting pipe diameters in central heating installations may be the water flow speed coefficient, which would correspond to the linear economic pressure drops c.a. 150 – 250 Pa/m. Consider the principle that the water flow speed should not exceed the threshold of noise-free operation of the installation (with fixtures). An additional criterion may be the recommended speeds in particular installation pipes:

Estimated flow speeds in KAN-therm heating installation pipelines	[m/s]
in horizontals	up to 1,0
in risers	0,2 – 0,4
in radiator connections	0,4 or more in connections without drops (to ensure pipe de-airing)

These are estimated values. The hydraulic resistance of an installation is the result of several criteria, among all, the requirement concerning maintaining the authority of thermostatic valves within the scope 0,3 – 0,7.

In small installations (single-family houses), we usually encounter the phenomenon of excessive valve authority. In such case, assume higher water speeds in pipes, to ensure that a part of the required pressure is lost within the piping.

In large installations, we usually encounter insufficient thermostatic valve authority. In such case, assume lower speeds for pipes constituting common parts of installations (horizontals, risers) and provide bigger loads to room distribution systems (made of PE-RT and PE-X or multilayer KAN-therm UltraLine, Push/Push Platinum pipes or multilayer KAN-therm Press pipes) or apply pressure stabilizers and increase the loads in room systems.

In KAN-therm Push installations, due to hydraulic conditions and thermal proficiency of installations, we recommend PE-RT and PE-X pipes with 12 mm diameters for connecting radiators up to 2000W.

Pipe diameters should be selected so that the sum of pressures in every circulation with calculated streams of heating medium is equal to the active pressure rate.

The hydraulic loads of pipe plots consist of linear loads and the sum of local resistance rates Z on the plot:

$$\Delta p_L = R \times L + Z \quad \text{where} \quad Z = \sum \zeta \times \frac{v^2 \times \rho}{2}$$

Δp [Pa]	hydraulic resistance (pressure loss)
R [Pa/m]	linear resistance (pressure loss) on the plot
L [m]	length of a pipe of a given diameter
Z [Pa]	local resistance (pressure loss) on the plot
$\sum \zeta$	sum of local resistance coefficients on the plot
v [m/s]	average flow speed inside the pipe
ρ [kg/m ³]	water density

Unit pressure loss R in KAN-therm pipes, depending on the size of the water stream and average temperature, may be calculated using suitable tables included in Appendix "Tables for hydraulic calculations in KAN-therm water supply and heating installations". The values of local resistance coefficients for fittings in particular KAN-therm Systems are also presented in the tables included in the Appendix.

Additional remarks

- When conducting radiator connections in floor layers, radiators should be equipped with proper vents (manual or automatic). In the case of manifold systems, also the manifolds should be equipped with vents.
- Designing installations consisting of plastic pipes (KAN-therm UltraLine, Push, Press and PP), secure them against the rise (caused by failure) of water temperature above the permissible level.
- In KAN-therm heating installations, there is a possibility of using a different medium to water, e.g. anti-frost liquids. When designing such installations, consider the physical properties of these liquids, which are different to the properties of water. After that, ask for manufacturer's recommendations regarding the resistance of their pipes and joints to these substances.

9.3 Thermal insulation of KAN-therm installations

Depending on the type of the pipeline, thermal insulation aims at reducing the value of heat loss (in heating and hot tap water installations) or to reduce the cold loss in cooling installations. In the case of cold water installations, thermal insulation prevents water inside the installation from heating and therefore blocks condensation on the pipeline. Thermal insulation of manifold pipes in central heating, hot tap water (including circulation pipes) and cold medium installations should observe the minimal requirements specified in the table. The values presented below apply to all KAN-therm piping systems, irrespective of the material type.

Minimal thickness of thermal insulation in heating, cooling and hot tap water installations

No.	Pipe type	External diameter of KAN-therm pipes					Minimal thickness of thermal insulation ($\lambda = 0,035 \text{ W}/(\text{m} \times \text{K})^1$)
		UltraLine	Push	Press	Steel/Inox/Copper	PP	
1	External diameter up to 22 mm	14, 16, 20, 25	12, 14, 18, 25	14, 16, 20, 25, 26	12, 15, 18, 22	16, 20, 25, 32 (PN20)	20 mm
2	Internal diameter from 22 to 35 mm	32	32	32, 40	28, 35	32 (PN10, PN16), 40	30 mm
3	Internal diameter from 35 to 100 mm			50, 63	42; 54; 64; 66,7; 76,1; 88,9	50, 63, 75, 90, 110	equals the internal diameter of the pipe
4	Internal diameter above 100 mm				108; 139,7; 168,3		100 mm
5	Pipes and fixtures acc. to pos. 1-4 passing through walls or floor slabs, pipe crossings						½ of the requirements of pts. 1-4
6	Central heating pipes acc. to pos. 1-4, laid in structural components in between heated rooms with various users						½ of the requirements of pts. 1-4
7	Pipes acc. to pos. 6 laid in floor layer						6 mm
8	Ice-cold water installations inside buildings ²⁾						50% of the requirements of pts. 1-4
9	Ice-cold water installations outside buildings ²⁾						100% of the requirements of pts. 1-4

1) when applying insulation material with a different heat transfer coefficient than specified in the table, correct the thickness of insulation suitably,

2) thermal insulation executed as air-proof.



Notice

For KAN-therm cold water pipelines, the recommended thickness of insulation preventing water from heating and steam from condensing is provided in the table. Correct the values provided below for other values of thermal transfer coefficients of the insulation material.

Minimal thickness of thermal insulation in cold water installations

Pipeline location	Insulation thickness ($\lambda = 0,04 \text{ W}/(\text{m} \times \text{K})$)
Pipeline in non-heated room	4 mm
Pipeline in heated room	9 mm
Pipeline in channel without pipelines with warm or hot medium	4 mm
Pipeline in channel with pipelines with warm or hot medium	13 mm
Pipeline in wall furrow, vertical	4 mm
Pipeline in wall furrow, recess with pipelines with warm or hot medium	13 mm
Pipeline in floor layer (concrete screed)	4 mm

The thermal insulation material cannot have any negative impact on the pipes and joints. It should be chemically neutral in relation to the materials of these elements.

10 Information and safety tips

Release date of this technical information is stated on the cover. To ensure personal safety and the proper functioning of our products, you should regularly check whether there is a newer version of the technical information. Current technical information is available on the website www.kan-therm.com as well as in the nearest Technical-Commercial Office of the KAN Company.

This document is protected by copyright. The resulting laws, in particular the right to reproduce in any form are reserved. KAN Company endeavors to develop these document up to date and free of errors, however, there may be minor mistakes or inconsistencies. We reserve the right to make corrections and technical changes in this document.

When installing, observe the applicable laws, standards, guidelines and national legislation as well as any instructions contained in the technical information.

Before you begin installation, read all instructions and safety guidelines and instructions of use and installation. When they are incomprehensible or doubts arise about their meaning, please contact the nearest Technical – Commercial Office of KAN. Provided installation and operating instructions should be preserved and handed over to future participants in the construction process or installation owner. Failure to follow the guidelines given in this document can lead to failure and damage to property or injuries.

Intended use

KAN-therm System must be designed, installed and operated in the manner described in this technical information and in accordance with applicable regulations. Other uses are unacceptable and will be considered as improper use of the products. This applies to both elements for the construction of piping systems and tools used for making connections.

Despite the use of the highest quality materials, KAN can not ensure their adequacy for every application. It should be noted that in the case of water transport of high aggressiveness - high content of dissolved hydrogen bicarbonate or chloride can affect the brass alloys and accelerate their corrosion. In particular, do not exceed the permissible concentrations:

- chlorine ions (Cl^-) ≤ 200 mg/l,
- sulfate ions (SO_4^{2-}) ≤ 250 mg/l,
- calcium carbonate ions (CaCO_3^{2-}) ≤ 5 mg/l at $\text{pH} \geq 7,7$.

For applications that are not included in this technical information (custom application), you should contact the Technical-Commercial Office of KAN to confirm possibility of such application.

Qualifications of participants in the construction process

Installation of KAN-therm systems should be performed only by trained and authorized personnel with appropriate qualifications.

General precautions

Workplace and used parts and tools for making connections should be kept clean and in proper condition. Use only original parts of KAN-therm provided for the type of connection and purpose. Use of not original elements or an unauthorized tools, the use of components for other applications than those provided or cross their operating parameters limits can lead to failure, accidents or other hazards.



Install your **future**



THE PRODUCTS WITH THE LABEL KAN-therm ARE DISTRIBUTED TO 68 COUNTRIES IN THE WORLD.

KAN Group has a network of branches in Poland, Germany, Russia, Ukraine, Belarus and Hungary. The distribution chain covers Europe, a significant part of Asia, it also reaches Africa and America.





HEADQUARTERS

KAN Group

Zdrojowa St. 51, 16-001 Kleosin, Poland.












tel. +48 85 74 99 200

e-mail: kan@kan-therm.com

www.kan-therm.com

Multisystem **KAN-therm**

Complete multipurpose installation system consisting of state of the art, mutually complementary technical solutions for pipe water distribution installations, heating installations, as well as technological and fire extinguishing installations.

UltraLine	
Push/Push Platinum	
Press	
PP	
Steel	
Inox	
Groove	
Copper, Copper Gas	
Sprinkler	
Surface heating and automation	
Football Stadium installations	
Cabinets and manifolds	