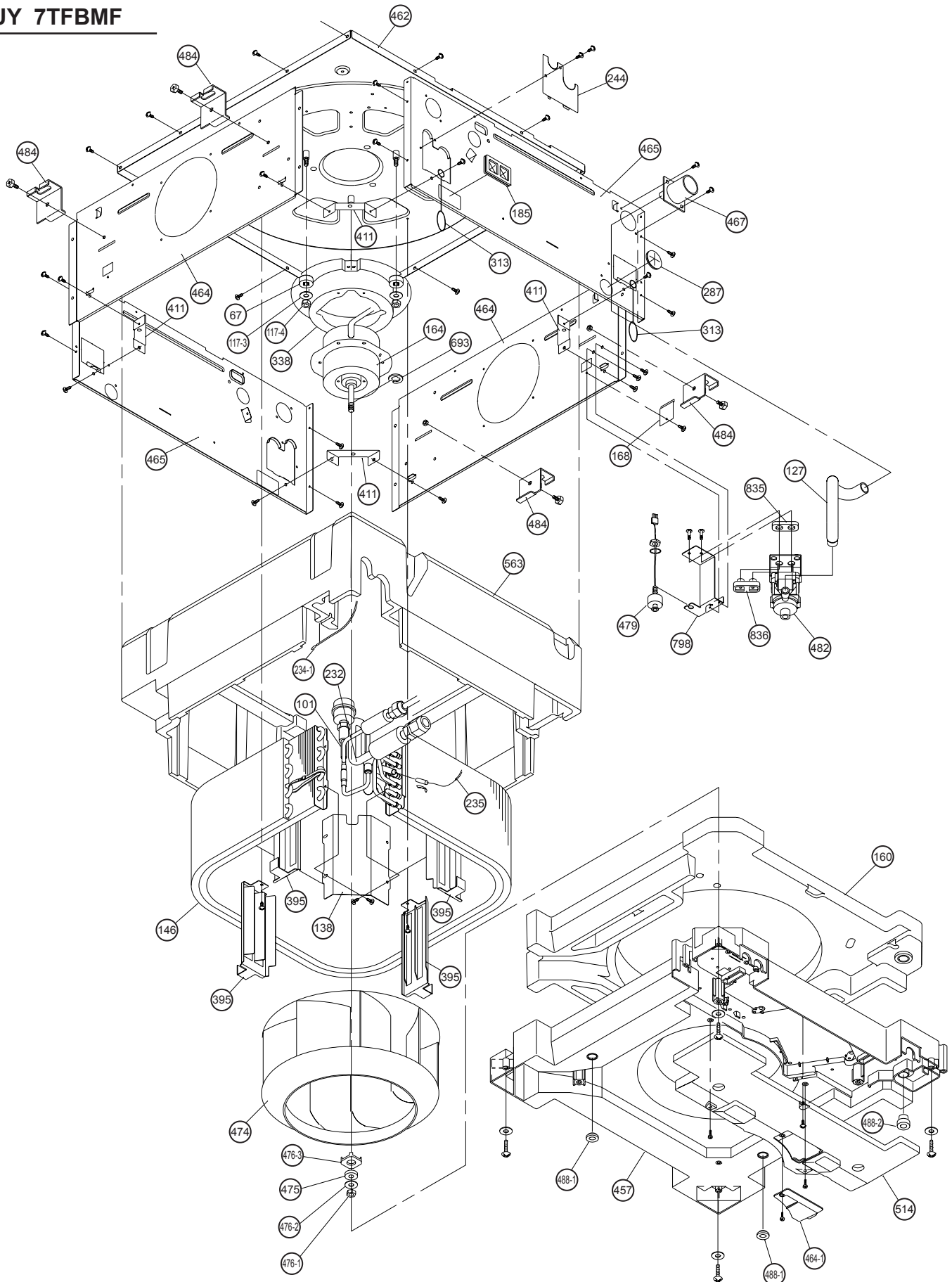
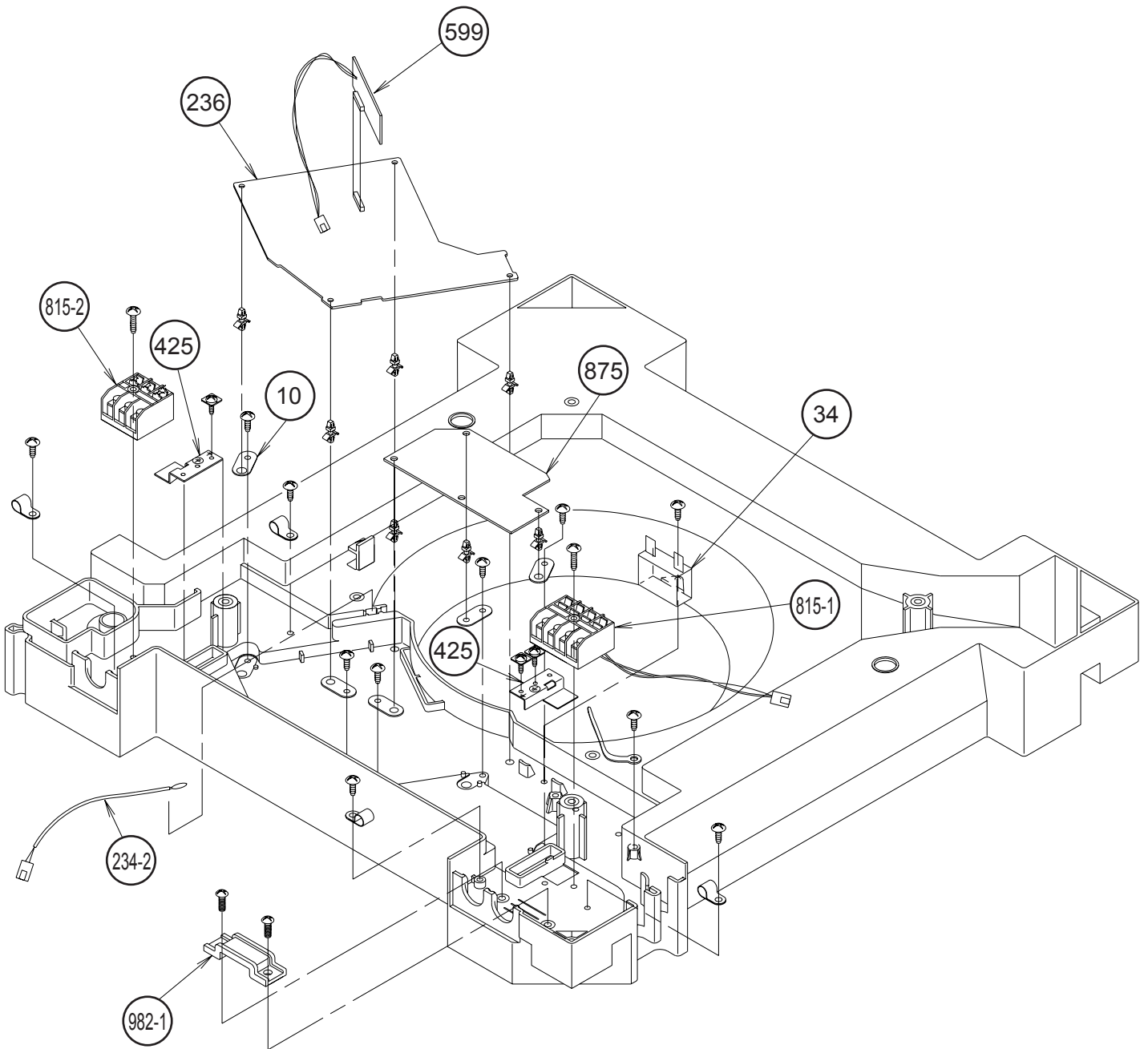


AUY 18TFBMF
AUY 14TFBMF
AUY 12TFBMF
AUY 9TFBMF
AUY 7TFBMF

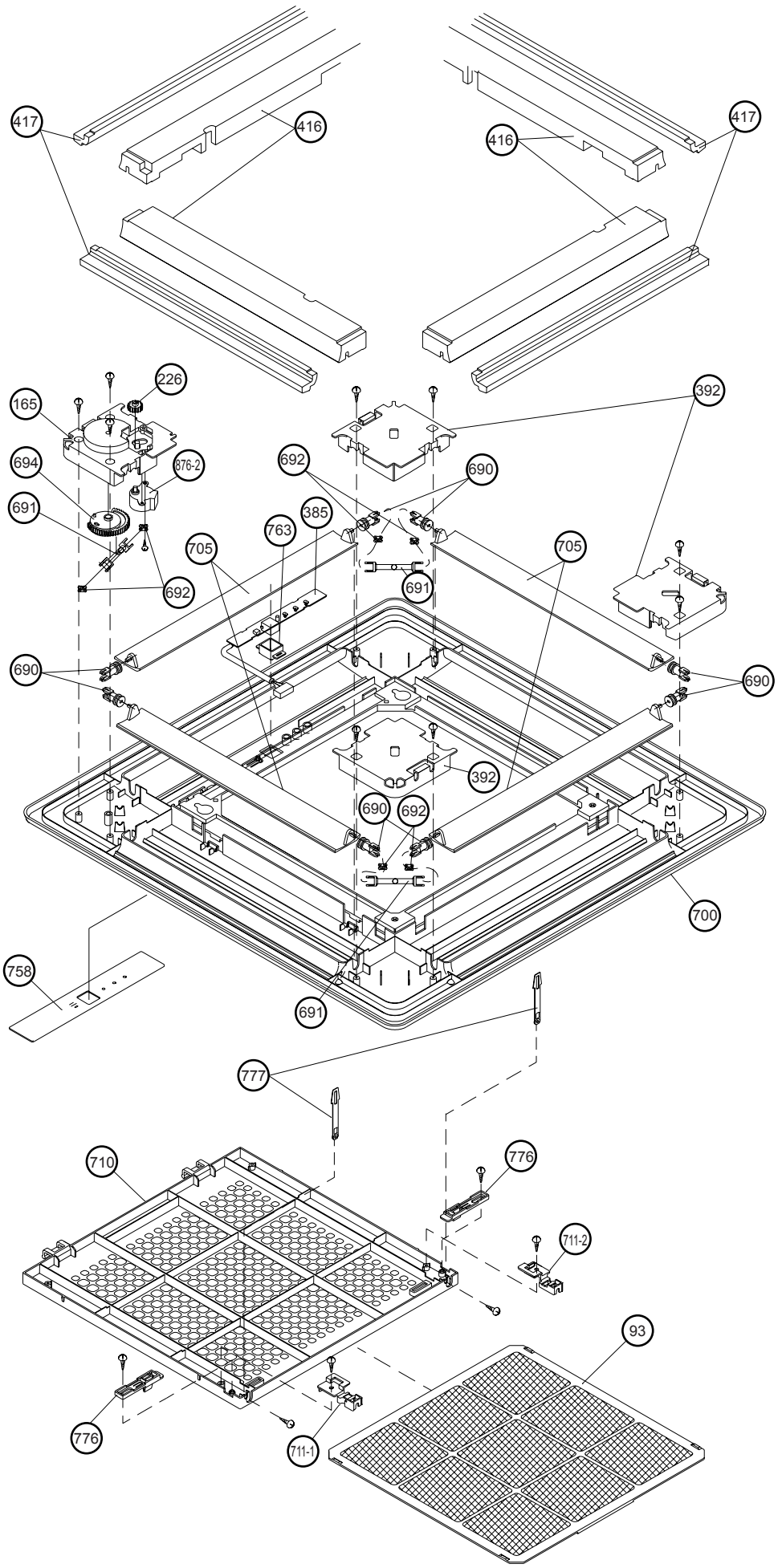
NEW COMPACT CASSETTE TYPE



AUY 18TFBMF
AUY 14TFBMF
AUY 12TFBMF
AUY 9TFBMF
AUY 7TFBMF



AUY 18TFBMF
AUY 14TFBMF
AUY 12TFBMF
AUY 9TFBMF
AUY 7TFBMF



PARTS LIST

Models : AU Y7TFB MF
AU Y9TFB MF

Ref No.	Description	Parts No.		Ord Q'ty	Ref No.	Description	Parts No.		Ord Q'ty
		AU Y7TFB MF	AU Y9TFB MF				AU Y7TFB MF	AU Y9TFB MF	
10	RFM (PWB)	9370451009	9370451009		462	TOP COVER PLATE	9359642015	9359642015	
34	CAPACITOR	9704305084	9704305084		464	CABINET-A ASSY	9359643005	9359643005	
67	RUBBER	9361279001	9361279001		464-1	COVER	9370085006	9370085006	
101	INLET PIPE (EVA) ASSY	9370116038	9370116038		465	CABINET-B	9359645009	9359645009	
117-3	SPECIAL WASHER M6	313306391007	313306391007		467	DRAIN PORT	313005415658	313005415658	
117-4	HEX NUT S / W	301721160116	301721160116		474	TURBO FAN	9370074000	9370074000	
127	DRAIN HOSE	9370452006	9370452006		475	TURBO FAN RUBBER	9366013006	9366013006	
138	SEPARATE WALL A	9370071009	9370071009		476-1	SPECIAL NUT M8	313005360755	313005360755	
146	EVAPORATOR ASSY	9370111002	9370111002		476-2	SPECIAL WASHER	301801185049	301801185049	
160	DRAIN PAN	9370081008	9370081008		476-3	SPECIAL WASHER	9359954002	9359954002	
164	FAN MOTOR (INDUCTION)	9601040040	9601040040		479	FLOAT SWITCH	313005416154	313005416154	
168	CABINET-E	9362735001	9362735001		482	PUMP ASSY	9359974000	9359974000	
185	RUBBER BUSHING	9357376004	9357376004		484	HANGER METAL	9359644002	9359644002	
232	EXIT PIPE ASSY (EVA)	9370117035	9370117035		488-1	DRAIN PAN PLUG	9359653004	9359653004	
234-1	THERMISTOR (ROOM)	9703299100	9703299100		488-2	DRAIN PAN PLUG	313005174654	313005174654	
234-2	THERMISTOR (ROOM)	9703299186	9703299186		514	CONTROL BOX COVER	9370084009	9370084009	
235	THERMISTOR (PIPE)	9900023034	9900023034		563	INSULATION (INSIDE BOX)	9370072006	9370072006	
236	CONTROLLER PCB ASSY	9701042357	9701042357		599	SIGNAL PCB ASSY	9704424013	9704424013	
244	PIPE COVER	9359646006	9359646006		693	WASHER E	9359989011	9359989011	
287	CAP (POWER)	9352173011	9352173011		798	DRAIN PUMP HOLDER	9370079005	9370079005	
313	HOOKING WIRE	9357224008	9357224008		815-1	TERMINAL	9306488062	9306488062	
338	MOTOR FIXTURE	9359656005	9359656005		815-2	TERMINAL 3P	9703345012	9703345012	
395	EVA HOLDER	9370077001	9370077001		835	CUSHION-A, FOR PUMP	9352211003	9352211003	
411	HOLDER-A	9359655008	9359655008		836	CUSHION-B, FOR PUMP	9356084016	9356084016	
425	EARTH PLATE	9357957005	9357957005		875	POWER PCB ASSY	9704626103	9704626103	
457	RFM (DRAIN PAN)	9370080001	9370080001		982-1	CORD CLAMP A	9359820017	9359820017	

Models : AUYY12TFBMBF
AUYY14TFBMBF

Ref No.	Description	Parts No.		Ord Q'ty	Ref No.	Description	Parts No.		Ord Q'ty
		AUYY12TFBMBF	AUYY14TFBMBF				AUYY12TFBMBF	AUYY14TFBMBF	
10	RFM (PWB)	9370451009	9370451009		462	TOP COVER PLATE	9359642015	9359642015	
34	CAPACITOR	9704305084	9704305084		464	CABINET-A ASSY	9359643005	9359643005	
67	RUBBER	9361279001	9361279001		464-1	COVER	9370085006	9370085006	
101	INLET PIPE (EVA) ASSY	9370116021	9370116021		465	CABINET-B	9359645009	9359645009	
117-3	SPECIAL WASHER M6	313306391007	313306391007		467	DRAIN PORT	313005415658	313005415658	
117-4	HEX NUT S / W	301721160116	301721160116		474	TURBO FAN	9370074000	9370074000	
127	DRAIN HOSE	9370452006	9370452006		475	TURBO FAN RUBBER	9366013006	9366013006	
138	SEPARATE WALL A	9370071009	9370071009		476-1	SPECIAL NUT M8	313005360755	313005360755	
146	EVAPORATOR ASSY	9370111002	9370111002		476-2	SPECIAL WASHER	301801185049	301801185049	
160	DRAIN PAN	9370081008	9370081008		476-3	SPECIAL WASHER	9359954002	9359954002	
164	FAN MOTOR (INDUCTION)	9601040019	9601040019		479	FLOAT SWITCH	313005416154	313005416154	
168	CABINET-E	9362735001	9362735001		482	PUMP ASSY	9359974000	9359974000	
185	RUBBER BUSHING	9357376004	9357376004		484	HANGER METAL	9359644002	9359644002	
232	EXIT PIPE ASSY (EVA)	9370117028	9370117028		488-1	DRAIN PAN PLUG	9359653004	9359653004	
234-1	THERMISTOR (ROOM)	9703299100	9703299100		488-2	DRAIN PAN PLUG	313005174654	313005174654	
234-2	THERMISTOR (ROOM)	9703299186	9703299186		514	CONTROL BOX COVER	9370084009	9370084009	
235	THERMISTOR (PIPE)	9900023034	9900023034		563	INSULATION (INSIDE BOX)	9370072006	9370072006	
236	CONTROLLER PCB ASSY	9701042357	9701042357		599	SIGNAL PCB ASSY	9704424013	9704424013	
244	PIPE COVER	9359646006	9359646006		693	WASHER E	9359989011	9359989011	
287	CAP (POWER)	9352173011	9352173011		798	DRAIN PUMP HOLDER	9370079005	9370079005	
313	HOOING WIRE	9357224008	9357224008		815-1	TERMINAL	9306488062	9306488062	
338	MOTOR FIXTURE	9359656005	9359656005		815-2	TERMINAL 3P	9703345012	9703345012	
395	EVA HOLDER	9370077001	9370077001		835	CUSHION-A, FOR PUMP	9352211003	9352211003	
411	HOLDER-A	9359655008	9359655008		836	CUSHION-B, FOR PUMP	9356084016	9356084016	
425	EARTH PLATE	9357957005	9357957005		875	POWER PCB ASSY	9704626103	9704626103	
457	RFM (DRAIN PAN)	9370080001	9370080001		982-1	CORD CLAMP A	9359820017	9359820017	

Models : AU18TFBMF

Ref No.	Description	Parts No.	Ord Q'ty	Ref No.	Description	Parts No.	Ord Q'ty
		AU18TFBMF				AU18TFBMF	
10	RFM (PWB)	9370451009		462	TOP COVER PLATE	9359642015	
34	CAPACITOR	9704305084		464	CABINET-A ASSY	9359643005	
67	RUBBER	9361279001		464-1	COVER	9370085006	
101	INLET PIPE (EVA) ASSY	9370116014		465	CABINET-B	9359645009	
117-3	SPECIAL WASHER M6	313306391007		467	DRAIN PORT	313005415658	
117-4	HEX NUT S / W	301721160116		474	TURBO FAN	9370074000	
127	DRAIN HOSE	9370452006		475	TURBO FAN RUBBER	9366013006	
138	SEPARATE WALL A	9370071009		476-1	SPECIAL NUT M8	313005360755	
146	EVAPORATOR ASSY	9370110005		476-2	SPECIAL WASHER	301801185049	
160	DRAIN PAN	9370081008		476-3	SPECIAL WASHER	9359954002	
164	FAN MOTOR (INDUCTION)	9601040026		479	FLOAT SWITCH	313005416154	
168	CABINET-E	9362735001		482	PUMP ASSY	9359974000	
185	RUBBER BUSHING	9357376004		484	HANGER METAL	9359644002	
232	EXIT PIPE ASSY (EVA)	9370117011		488-1	DRAIN PAN PLUG	9359653004	
234-1	THERMISTOR (ROOM)	9703299100		488-2	DRAIN PAN PLUG	313005174654	
234-2	THERMISTOR (ROOM)	9703299186		514	CONTROL BOX COVER	9370084009	
235	THERMISTOR (PIPE)	9900023034		563	INSULATION (INSIDE BOX)	9370072006	
236	CONTROLLER PCB ASSY	9701042357		599	SIGNAL PCB ASSY	9704424013	
244	PIPE COVER	9359646006		693	WASHER E	9359989011	
287	CAP (POWER)	9352173011		798	DRAIN PUMP HOLDER	9370079005	
313	HOOKING WIRE	9357224008		815-1	TERMINAL	9306488062	
338	MOTOR FIXTURE	9359656005		815-2	TERMINAL 3P	9703345012	
395	EVA HOLDER	9370077001		835	CUSHION-A, FOR PUMP	9352211003	
411	HOLDER-A	9359655008		836	CUSHION-B, FOR PUMP	9356084016	
425	EARTH PLATE	9357957005		875	POWER PCB ASSY	9704626103	
457	RFM (DRAIN PAN)	9370080001		982-1	CORD CLAMP A	9359820017	

Models : UTG-UDYD-W

GRILL FOR CEILING RECESSED TYPE ROOM AIR CONDITIONER

Ref No.	Description	Parts No.	Ord Q'ty	Ref No.	Description	Parts No.	Ord Q'ty
		UTG-UDYD-W				UTG-UDYD-W	
93	FILTER	9359632009		700	PANEL	9359619017	
165	MOTOR COVER	9359623014		705	LOUVER	9359624011	
226	MOTOR GEAR	9359629009		710	INTAKE GRILLE	9370126006	
385	INDICATOR PCB ASSY	9702224011		711-1	FILTER HOLDER-A	9359634003	
392	COVER-A (FOR JOINT)	9359622017		711-2	FILTER HOLDER-B	9359635000	
416	INSULATION (PANEL)-A	9359620006		758	DECORATION PLATE-A	9360039019	
417	INSULATION (PANEL)-B	9359621003		763	RECEIVER COVER	9359630005	
690	JOINT-A	9359626008		776	GRILLE STOPPER	9359633013	
691	JOINT-B	9359627005		777	GRILLE HOOK	9359761006	
692	JOINT SHAFT	9359625001		876-2	STEP MOTOR	9360307019	
694	CAM GEAR	9359628002					