



PRODUCT CATALOGUE | 2020  
**RESIDENTIAL AIR CONDITIONERS**





# HEAD OFFICE OF THE COOPER&HUNTER

**MIAMI, FLORIDA**

EIN ASSIGNED 47-3995007

3550 NW 113TH COURT

DORAL, FL 33178







## About the company

The trademark C&H (COOPER&HUNTER) belongs to the company COOPER AND HUNTER INTERNATIONAL CORPORATION (USPTO/United States Patent & Trademark/№ 4494682)

Having inherited the best traditions of leading companies in the area of climate control equipment production in the USA, the company Cooper&Hunter International Corporation in 2003 started production of a wide spectrum of climate control equipment under their own trademark.

Two ideologies, two directions, two leaders have united to create a new project.

Elegant design corresponding to the fashionable trend, ergonomics and comfort are combined with innovative solutions, modern technology and high quality.

The words "COMFORT INNOVATIONS" became the motto of the COOPER&HUNTER brand.

COOPER&HUNTER is an international climate control brand. Sales geography covers a big quantity of countries on various continents, and it is constantly growing. It is the proof of deserved popularity of the trade mark.

### SALES OF COOPER&HUNTER CLIMATE CONTROL EQUIPMENT

Austria, Albania, Armenia, Azerbaijan, Bangladesh, Belgium, Belarus, Bosnia and Herzegovina, Bulgaria, Canada, Croatia, Cyprus, Czech Republic, Denmark, El Salvador, Estonia, Finland, Ghana, Guinea, Greece, Georgia, Germany, Hungary, Italy, Kosovo, Latvia, Lebanon, Lithuania, Macedonia, Malta, Moldova, Morocco, Montenegro, Netherlands, Norway, Palestine, Poland, Russia, Romania, Sierra Leone, Slovakia, Slovenia, Spain, Sri Lanka, South Africa, Sweden, UAE, Ukraine, USA.



## “COOPER AND HUNTER” SOCIAL RESPONSIBILITY PROJECT “WE SAVE THE PLANET” LAUNCHED

In the autumn of 2019, Cooper&Hunter, the global brand of air conditioning and heating equipment, announced the launch of the long-term project “We Save the Planet”. It will cover all areas where the sale of Cooper&Hunter HVAC equipment is carried out, including more than 45 countries.

By definition, corporate social responsibility is a voluntary contribution of a business to the social, economic and environmental sphere, which is directly related to the core business of the company. The company has decided to implement strategic and systematic support of environmental efforts, sports associations, and socially significant actions.”

“ THE LOGO WITH THE SLOGAN “WE SAVE THE PLANET” HAS BEEN ASSIGNED AS THE OFFICIAL SYMBOL OF THE PROJECT.

Within the framework of this project, Cooper&Hunter, the largest manufacturer of HVAC equipment, made a number of commitments, and announced the implementation of measures, in the long term, that will help to improve the environment and preserve the ozone layer while improving the population, reducing harmful emissions, and restoring parks, squares and other green spaces.







## THE PROJECT IMPLEMENTATION INCLUDES THE FOLLOWING OBLIGATIONS:

# 1

“Cooper&Hunter” is committed to adhering, in the manufacturing of HVAC equipment, to the highest quality standards, ensuring the use of ozone-safe freon R32, the global warming potential of which is reduced by more than 65%, compared with the previous generation of freon – R410. This obligation applies to all countries in which C&H equipment is sold, regardless of the certification requirements of each country, as well as to all equipment lines: from premium to economy class.

# 2

“Cooper&Hunter” agrees to use, in the manufacturing of HVAC equipment, technologies that ensure maximum energy efficiency. Thanks to new inverter technologies, with energy efficiency ratings of A+++, power plant costs, energy consumption, and the wasteful use of natural resources it can be minimized up to 40%.

# 3

Understanding the environmental problems of large settlements, the company will allocate funds and, in collaboration with local organizations and volunteers, organize actions to restore green areas, plant trees, and rehabilitate the environment.

# 4

Informing people about technologies that are designed to protect our planet. Conducting advertising campaigns, creating educational programs, and participating in informational occasions that increase awareness of social and environmental threats.

# 5

Traditional sponsorship of various types of sporting associations and events, at the district, city, and national level. Support activities that promote a healthy lifestyle, popularize sports among young people, and improve the quality of life of every person.





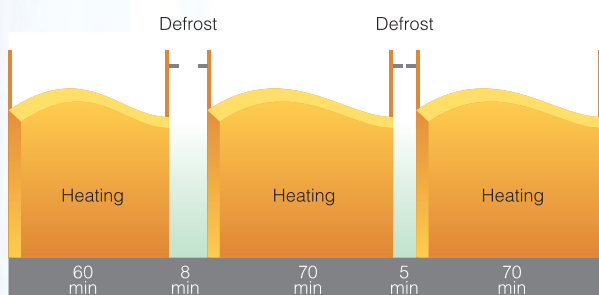
# "I FEEL" FUNCTION

The function controls the air temperature by means of the sensor in remote control.

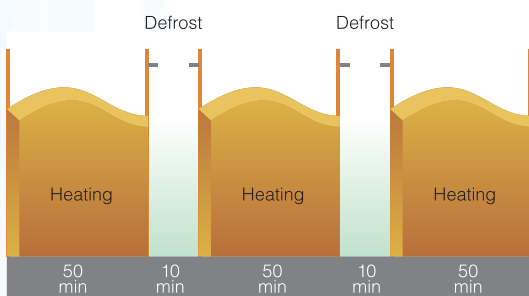
The temperature detector measures air temperature at the place and transfers the information to the air conditioner indoor unit.

"I feel" adjusts in such way to achieve necessary parameters of climate comfort directly where the remote control is.

## INTELLIGENT DEFROST



Intelligent defrost Cooper&Hunter



Traditional defrost

## COMFORT FOR LIFE



### Intelligent defrost

Contrary to the previous programs and old models, the "Intelligent defrost" program activates the process if only it is really necessary.



### Hot start

the air conditioner turns off only after the required air temperature is achieved.



### Control panel lock

defends from the undesirable control.



### Turbo mode

is a quick and powerful function to achieve the required temperature.



### Night mode

very quiet operation and support of comfort temperature during the night.



### "I feel" function

provides personalised environment since the temperature can be detected where the remote controller is located.





# Welcome to Cooper&Hunter Business Portal

This business portal is intended for dealers and business partners of "Cooper&Hunter". "Cooper&Hunter" – is a modern-tech brand. We appreciate our partners and support them with continuous communications.

Here you will find the information necessary for the successful sale of TM C&H:

- promotional materials (catalogs, brochures, layouts, samples, corporate identity, commercials video)
- technical manuals (user manuals, datasheets, certificates)

- detailed information for engineers and installers about the maintenance, and troubleshooting (technical catalogs, videos)
- on individual page, the dealer can see the personal commercial information, a list of equipment ready for sale and place a pre-order.

The list of services on our business portal is constantly growing. We are always ready to listen and implement your requests. Please apply in writing ([portal@cooperandhunter.com](mailto:portal@cooperandhunter.com)).

Support of COOPER&HUNTER INTERNATIONAL CORPORATION

[www.ch-business.com](http://www.ch-business.com)

\*only to the registered dealers (the 1st level)

## Cooper&Hunter Comfort Innovations I-Action Inverter Technology

C&H inverters are hi-tech systems controlled by the innovative built-in microprocessor based on unique technology I-Action Inverter Technology.

This means that the rotor compressor achieving the specified

temperature does not turn off and continues to work at the extremely low 1 hz frequency consuming only 40 watt. Thus Cooper&Hunter saves up to 50% of consumed electric power and extends the service period up to 10 years.

### Advantages of I-Action Technology:



#### Extremely low frequency of compressor rotation

- Accurate temperature control
- Saves up to 40% of energy consumption

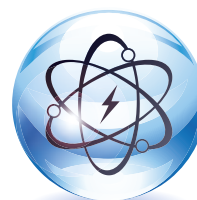


#### Refrigerant R410A

- Ozone-safe
- Effective cooling

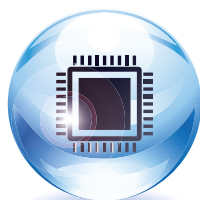
#### Refrigerant R32

- Low Global Warming Potential (GWP)
- Zero Ozone Depleting Potential (ODP)



#### Voltage automatic adjustment (150-265 V)

- Operation at unstable power level



#### Modern high-speed microprocessor

- High functional control
- Effective control of parameters



#### Noiseless operation

- As low 18 dB in the room
- Silent and comfort



#### Performance reliability

- Quality control at all production stages
- Perfect characteristics and high capacity



#### Precise temperature control

- Accuracy in the air temperature control up to 0,1°C
- Control of the specified parameters



#### Turbo mode

- High-speed achievement of the necessary temperature
- Quick cooling and space heating

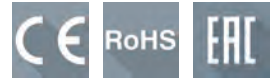


#### Continuous operation

- Operates in the modes from maximum to minimum without turn off
- Saves the electric energy



# SUPREME SERIES



**INVERTER**



\* GD



Two-stage Compressor

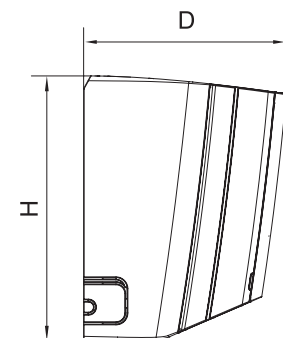
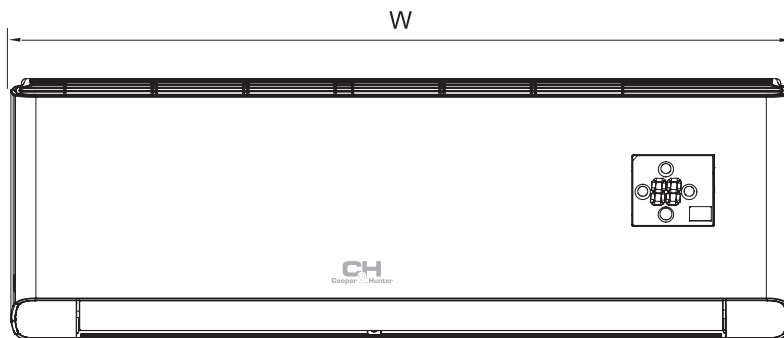


- ▶ Household heat pump. It is customized to generate heat in northern countries;
- ▶ Two-stage compressor for efficient operations at low and high ambient temperature.
- ▶ Your house protection against freezing: the "+8°C function". The air conditioner will maintain +8°C temperature preventing room freezing and consuming low energy;
- ▶ "CH SMART-ION Filter" – the new generation technology of total cleaning of air;
- ▶ Built-in Wi-Fi module for long-distance Wi-Fi control via Android/iOS application;
- ▶ High class of energy efficiency SEER A+++ SCOP A+++;
- ▶ Extra low noise level – only 18 dB, solid cast plastic body and new technology of seamless heat exchanger.



Model			CH-S09FTXAM2S *	CH-S12FTXAM2S *	CH-S18FTXAM2S *	CH-S24FTXAM2S *
Capacity	Cooling	kW	2,70 (0,70-5,00)	3,53 (0,85-5,00)	5,30 (1,20-7,20)	7,03 (2,00-9,00)
	Heating	kW	3,50 (0,70-5,50)	4,20 (0,88-7,20)	5,57 (1,20-9,20)	7,03 (2,00-9,50)
Consumed power	Cooling	kW	0,55 (0,08-1,80)	0,84 (0,06-1,90)	1,32 (0,35-2,50)	1,85 (0,45-3,70)
	Heating	kW	0,75 (0,13-2,40)	0,95 (0,13-2,60)	1,32 (0,35-3,30)	1,75 (0,38-3,80)

## INDOOR UNIT

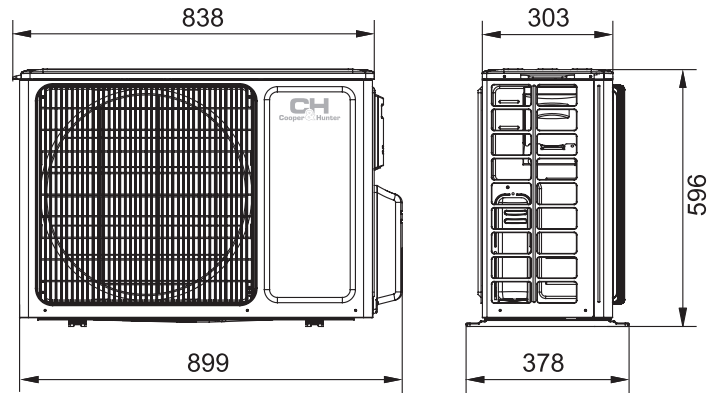
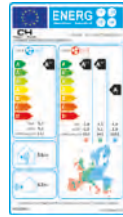


Model	W (mm)	H (mm)	D (mm)
CH-S09FTXAM2S *	996	301	225
CH-S12FTXAM2S *	996	301	225
CH-S18FTXAM2S *	1101	327	249
CH-S24FTXAM2S *	1101	327	249

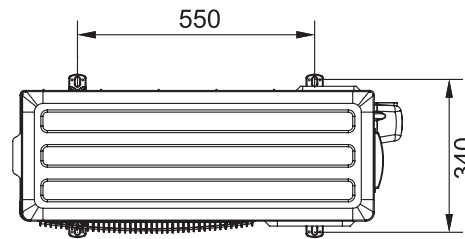
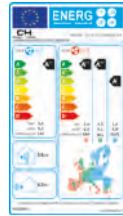


# OUTDOOR UNIT

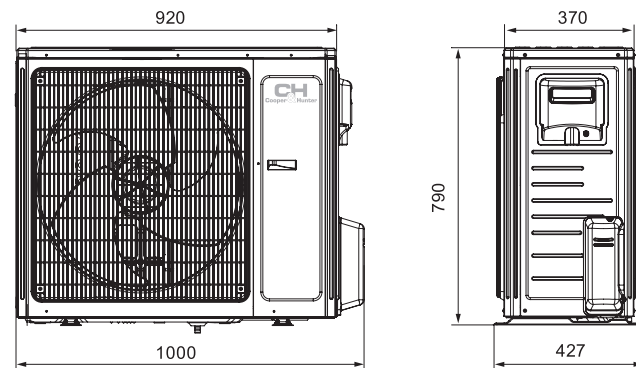
CH-S09FTXAM2S \*



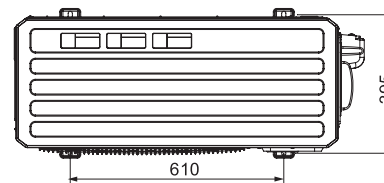
CH-S12FTXAM2S \*



CH-S18FTXAM2S \*



CH-S24FTXAM2S \*



Model			CH-S09FTXAM2S *	CH-S12FTXAM2S *	CH-S18FTXAM2S *	CH-S24FTXAM2S *
Capacity	Cooling	kW	2,70 (0,70-5,00)	3,53 (0,85-5,00)	5,30 (1,20-7,20)	7,03 (2,00-9,00)
	Heating	kW	3,50 (0,70-5,50)	4,20 (0,88-7,20)	5,57 (1,20-9,20)	7,03 (2,00-9,50)
Power supply			~ 220-240V/50Hz			
Consumed power	Cooling	kW	0,55 (0,08-1,80)	0,84 (0,06-1,90)	1,32 (0,35-2,50)	1,85 (0,45-3,70)
	Heating	kW	0,75 (0,13-2,40)	0,95 (0,13-2,60)	1,32 (0,35-3,30)	1,75 (0,38-3,80)
Energy performance	SEER (Cooling)	kW/kW	8,5 (A+++)	8,5 (A+++)	7,5 (A++)	6,5 (A++)
	SCOP (Heating)	kW/kW	5,1 (A+++)	5,1 (A+++)	4,4 (A+)	4,1 (A+)
Air flow		m <sup>3</sup> /h	430/500/560/620/670/720/800	450/530/580/630/680/730/800	600/780/950/1150/1200	650/750/800/850/950/1100/1250
Sound pressure level	Indoor unit	dB (A)	18/22/26/30/34/38/43	20/24/28/32/36/41/46	30/33/36/39/42/45/48	32/35/38/41/44/47/50
	Outdoor unit	dB (A)	53	54	56	58
Refrigerant type			R-32			
Weight	Indoor unit	kg	13	13,5	16,5	16,5
	Outdoor unit	kg	44,5	45,5	62,5	65
Compressor type			rotary			
Drying		l/h	0,8	1,4	1,8	2,0
Cooling operation ambient temperature			°C -18 ... +54			
Heating operation ambient temperature			°C -30 ... +24			
Gas charge volume		kg	1,0	1,0	1,5	2,0
Liquid line diameter		mm/inch	6,38/1/4"	6,38/1/4"	6,38/1/4"	6,38/1/4"
Gas line diameter		mm/inch	9,53/3/8"	9,53/3/8"	15,88/5/8"	15,88/5/8"
Maximal difference in level		m	10	10	20	30
Maximal pipe length		m	15	20	40	50
Distance between the bolts of the outdoor unit fastening			550		610	

\* SEER - seasonal coefficient of system cooling capacity.  
 \*\* SCOP - seasonal coefficient of system heating capacity.





# ICY III SERIES



**INVERTER**



Two stage compressor

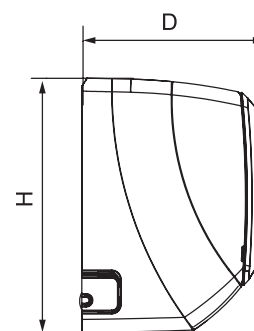
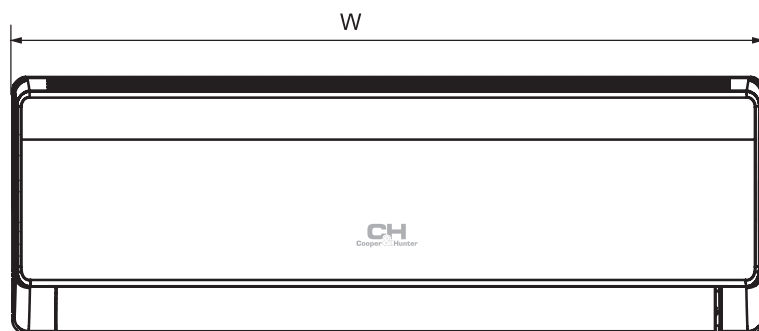


- ▶ Household heat pump. It is customized to generate heat in northern countries;
- ▶ Two-stage compressor for efficient operations at low and high ambient temperature.
- ▶ Your house protection against freezing: the "+8°C function". The air conditioner will maintain +8°C temperature preventing room freezing and consuming low energy;
- ▶ Air flow direction is to the right/ left by a remote control;
- ▶ Built-in Wi-Fi module for long-distance Wi-Fi control via Android/iOS application;
- ▶ Noiseless operation of the indoor unit: 20 dB(A);
- ▶ High class of energy efficiency SEER A+++ SCOP A+++.



Model		CH-S09FTXTB2S-NG	CH-S12FTXTB2S-NG	CH-S18FTXTB2S-NG	CH-S24FTXTB2S-NG
Capacity	kW Cooling	2.70 (0.76-4.81)	3.53 (0.74-4.73)	5.30 (1.00-6.30)	7.03 (2.00-8.60)
	kW Heating	3.50 (0.82-5.50)	4.20 (0.83-6.33)	6.20 (1.00-7.14)	7.03 (1.90-9.00)
Consumed power	kW Cooling	0.55 (0.12-1.80)	0.84 (0.22-1.90)	1.18 (0.40-2.70)	1.85 (0.40-3.70)
	kW Heating	0.75 (0.12-2.40)	0.95 (0.39-2.60)	1.45 (0.40-3.20)	1.75 (0.45-3.80)

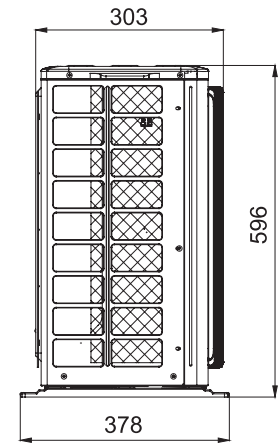
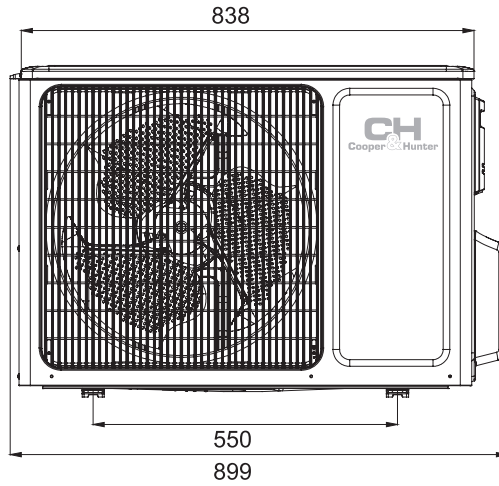
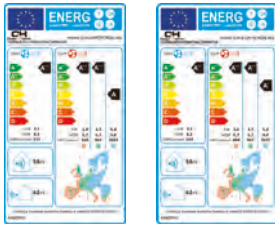
## INDOOR UNIT



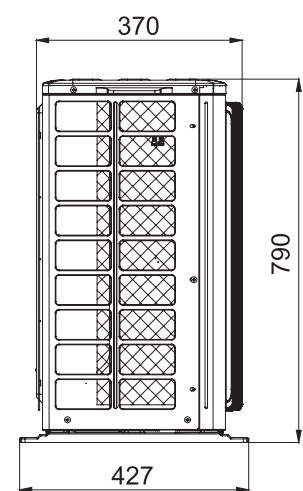
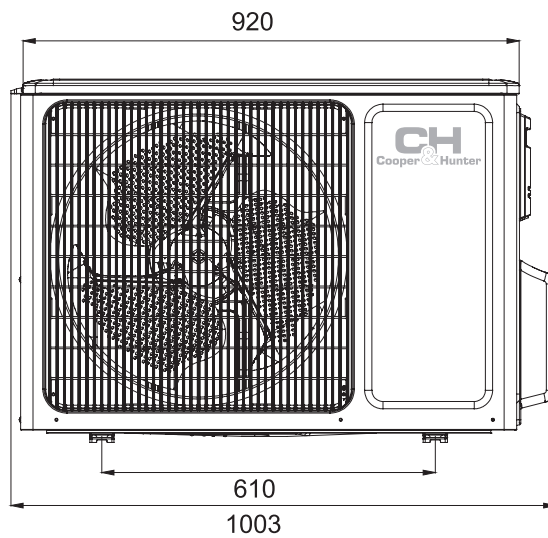
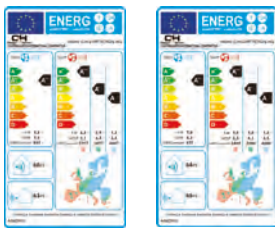
Model	W (mm)	H (mm)	D (mm)
CH-S09FTXTB2S-NG	996	301	225
CH-S12FTXTB2S-NG	996	301	225
CH-S18FTXTB2S-NG	1101	327	249
CH-S24FTXTB2S-NG	1101	327	249

# OUTDOOR UNIT

CH-S09FTXTB2S-NG  
CH-S12FTXTB2S-NG



CH-S18FTXTB2S-NG  
CH-S24FTXTB2S-NG



Model			CH-S09FTXTB2S-NG	CH-S12FTXTB2S-NG	CH-S18FTXTB2S-NG	CH-S24FTXTB2S-NG
Capacity	Cooling	kW	2.70 (0.76-4.81)	3.53 (0.74-4.73)	5.30 (1.00-6.30)	7.03 (2.00-8.60)
	Heating	kW	3.50 (0.82-5.50)	4.20 (0.83-6.33)	6.20 (1.00-7.14)	7.03 (1.90-9.00)
Power supply			-220-240 V/50 Hz/1 Ph			
Consumed power	Cooling	kW	0.55 (0.12-1.80)	0.84 (0.22-1.90)	1.18 (0.40-2.70)	1.85 (0.40-3.70)
	Heating	kW	0.75 (0.12-2.40)	0.95 (0.39-2.60)	1.45 (0.40-3.20)	1.75 (0.45-3.80)
SEER*/SCOP** (Energy performance class)			8.5 (A+++)/5.1 (A+++)	8.5 (A+++)/5.1 (A+++)	7.5 (A++)/4.4 (A+)	6.5 (A++)/4.1 (A+)
Air flow		m³/h	450/500/560/620/570/720/ 800	430/530/580/630/680/730/800	500/600/780/850/950/1050/1150/1200	550/750/800/850/900/950/1050/1200
Level of soundpressure	Indoor unit	dB (A)	20/24/28/32/34/36/43	20/24/28/32/34/36/43	26/33/35/37/40/43/44	27/35/37/39/41/43/46
	Outdoor unit	dB (A)	53	54	56	58
Refrigerant type		oz	R32			
Weight	Indoor unit/ Outdoor unit	kg	13/44.5	13.5/45.5	16.5/61	16.5/65
Compressor type			rotary			
Drying		l/h	0.8	1.4	1.8	2.0
Cooling operation ambient temperature		°C	-18/+52			
Heating operation ambient temperature		°C	-30/+24			
Gas charge volume		kg	1.00	1.00	1.50	2.00
Liquid line diameter		mm/ inch	6.38/1/4"	6.38/1/4"	6.38/1/4"	6.38/1/4"
Gas line diameter		mm/ inch	9.53/3/8"	9.53/3/8"	15.88/5/8"	15.88/5/8"
Maximal difference in level		m	10	10	20	30
Maximal pipe length		m	15	20	50	50

\* SEER - seasonal coefficient of system cooling capacity.  
\*\* SCOP - seasonal coefficient of system cooling capacity.



# NORDIC PREMIUM SERIES



**INVERTER**



\*PS

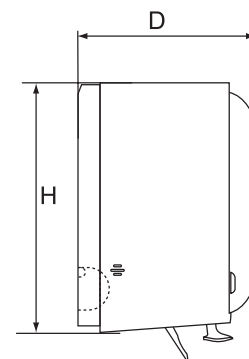
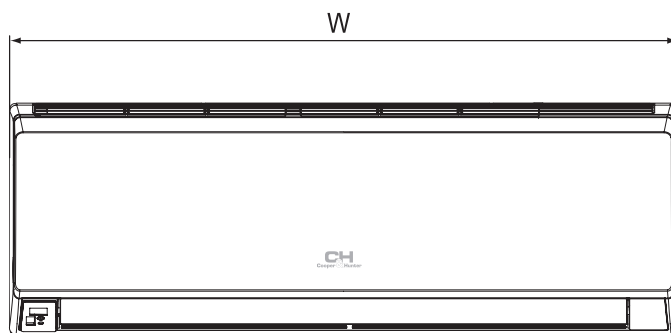


- ▶ The household heat pump. It is customized to generate heat in northern countries;
- ▶ Original compressor: TM MITSUBISHI ELECTRIC;
- ▶ DC inverter motor of the indoor unit of new generation;
- ▶ Step-less Fan Control – unique technology of smooth regulation of the indoor unit fan speed within the wide range of 1... 100%;
- ▶ High class of energy efficiency A+++
- ▶ Built-in Wi-Fi module for long-distance Wi-Fi control via Android/iOS application;
- ▶ Extra low noise level of the outdoor unit (only 18 dB, airflow direction control is to the right and left by a remote control, additional panel to direct the air flow in parallel to the ceiling and prevent blowing on a user);
- ▶ Outdoor temperature indication;
- ▶ Your house protection against freezing: the "+8°C function". The air conditioner will maintain +8°C temperature preventing room freezing and consuming low energy.



Model		CH-S09FTXN *	CH-S12FTXN *	CH-S18FTXN *	CH-S24FTXN *
Capacity	Cooling	kW 2.64 (0.78-3.30)	3.52 (0.90-3.90)	5.30 (1.00-6.70)	6.60 (1.40-7.00)
	Heating	kW 3.00 (0.73-3.40)	3.90 (0.80-4.20)	5.60 (1.10-6.80)	6.80 (1.50-7.90)
Consumed power	Cooling	kW 0.56 (0.06-1.45)	0.77 (0.06-1.56)	1.19 (0.10-2.46)	1.50 (0.10-2.80)
	Heating	kW 0.59 (0.14-1.55)	0.80 (0.14-1.65)	1.19 (0.20-2.30)	1.45 (0.21-2.50)

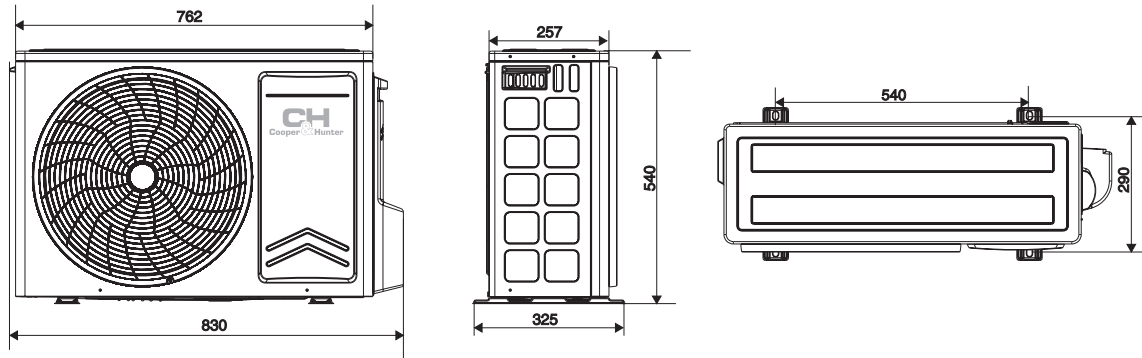
## INDOOR UNIT



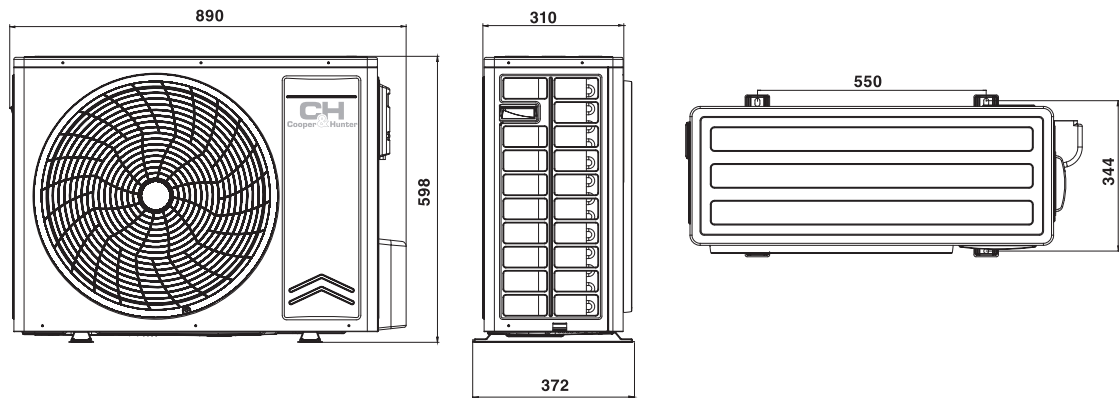
Model	W (mm)	H (mm)	D (mm)
CH-S09FTXN *	880	298	218
CH-S12FTXN *	880	298	218
CH-S18FTXN *	992	309	235
CH-S24FTXN *	992	309	235

# OUTDOOR UNIT

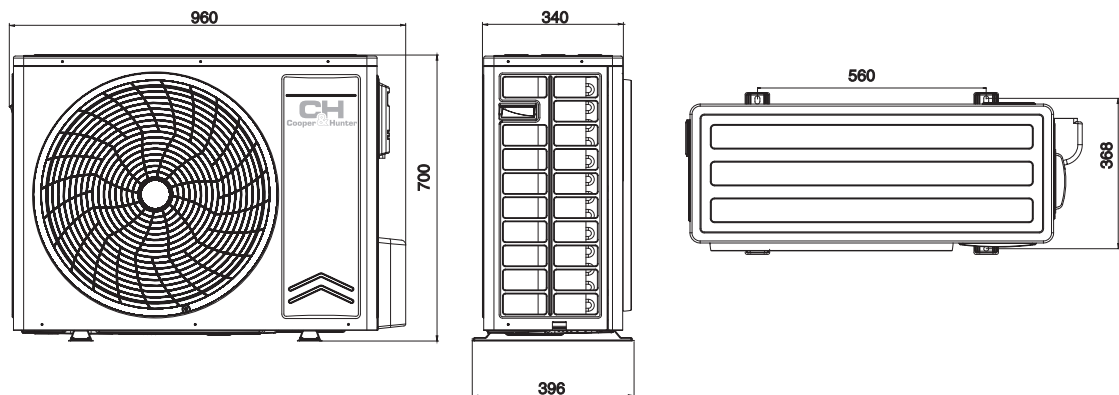
CH-S09FTXN \*  
CH-S12FTXN \*



CH-S18FTXN \*



CH-S24FTXN \*



Model			CH-S09FTXN *	CH-S12FTXN *	CH-S18FTXN *	CH-S24FTXN *
Capacity	Cooling	kW	2.64 (0.78-3.30)	3.52 (0.90-3.90)	5.30 (1.00-6.70)	6.60 (1.40-7.00)
	Heating	kW	3.00 (0.73-3.40)	3.90 (0.80-4.20)	5.60 (1.10-6.80)	6.80 (1.50-7.90)
Power supply			~220-240 V/50 Hz/1 Ph			
Consumed power	Cooling	kW	0.56 (0.06-1.45)	0.77 (0.06-1.56)	1.19 (0.10-2.46)	1.50 (0.10-2.80)
	Heating	kW	0.59 (0.14-1.55)	0.80 (0.14-1.65)	1.19 (0.20-2.30)	1.45 (0.21-2.50)
SEER*/SCOP** (Energy performance class)			8.1(A++)/4.8(A++)	8.0(A++)/4.8(A++)	7.2(A++)/4.8(A++)	6.8(A++)/4.8(A++)
Air flow		m <sup>3</sup> /h	670/580/470/360	670/580/470/360	900/810/670/510	900/810/670/510
Level of soundpressure	Indoor unit (min/ave/max)/	dB (A)	38/26/21/18	39/28/22/19	41/30/27/25	44/37/30/27
	Outdoor unit					
Refrigerant type			R32			
Weight	Indoor unit	kg	10	10	14	14
	Outdoor unit	kg	25,5	28	35	41
Compressor type			rotary			
Drying		l/h	0.80	1.40	1.80	2.40
Cooling operation ambient temperature		°C	+18/+52			
Heating operation ambient temperature		°C	-28/+24			
Gas charge volume		kg	0,55	0,78	0,96	1,15
Liquid line diameter		mm/inch	6,38/1/4"	6,38/1/4"	6,38/1/4"	6,38/1/4"
Gas line diameter		mm/inch	9,53/3/8"	9,53/3/8"	12,7/1/2"	15,88/5/8"
Maximal difference in level		m	10	10	10	10
Maximal pipe length		m	20	20	25	25
Distance between the bolts of the outdoor unit fastening		mm	540		550	560

\* SEER - seasonal coefficient of system cooling capacity.  
\*\* SCOP - seasonal coefficient of system cooling capacity.



# ARCTIC INVERTER NG SERIES

*INVERTER*

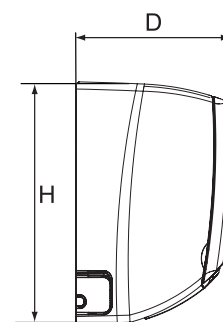
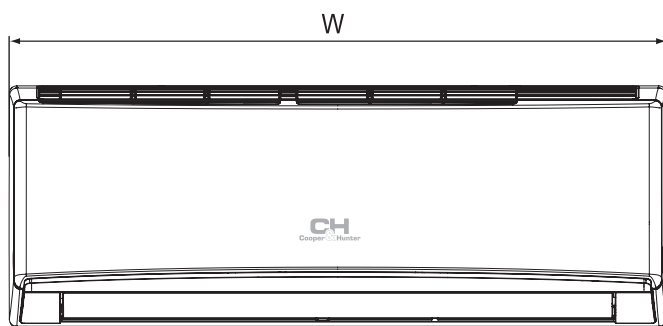


- ▶ Household heat pump. It is customized to generate heat in northern countries;
- ▶ The technology "I-Action": stable and smooth compressor operation at extra low frequencies (1 Hz);
- ▶ Built-in Wi-Fi module for long-distance Wi-Fi control via Android/iOS application;
- ▶ Air flow directing by a remote control to the left and to the right;
- ▶ "CH 7-SKY Technology": complex filtration system based on seven filters of wide effect spectrum;
- ▶ Top-grade energy saving specification "GENERATION V" (strict assembling/ material quality control);
- ▶ Smart defrosting, heating belt of the compressor and sump, outdoor unit fan speed regulator;
- ▶ Your house protection against freezing: the "+8°C function". The air conditioner will maintain +8°C temperature preventing room freezing and consuming low energy.



Model		CH-S09FTXLA-NG	CH-S12FTXLA-NG	CH-S18FTXLA-NG	CH-S24FTXLA-NG
Capacity	Cooling	kW 2,70 (0,45-3,50)	3,50 (0,70-4,00)	5,20 (1,26-6,60)	7,00 (2,00-8,32)
	Heating	kW 2,80 (0,45- 4,20)	3,67 (0,80-4,50)	5,30 (1,12-6,80)	7,40 (2,00-9,20)
Consumed power	Cooling	kW 0,61 (0,09-1,40)	0,80 (0,09-1,45)	1,18 (0,38-2,45)	1,62 (0,40-3,10)
	Heating	kW 0,61 (0,16-1,50)	0,79 (0,18-1,50)	1,14 (0,35-2,60)	1,63 (0,45-3,75)

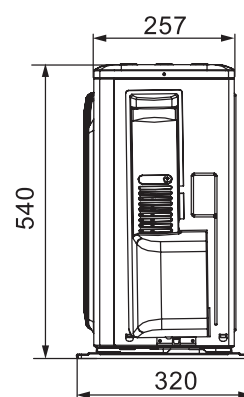
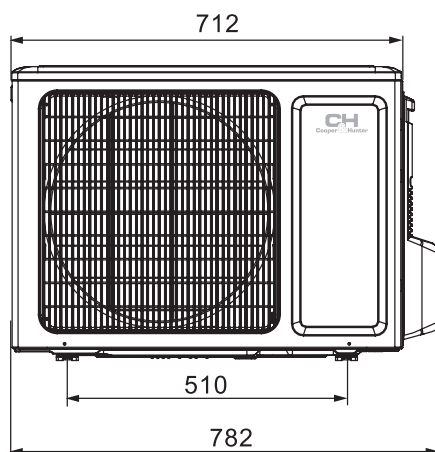
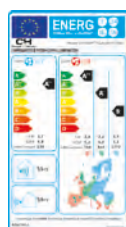
## INDOOR UNIT



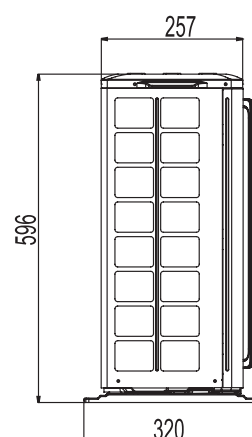
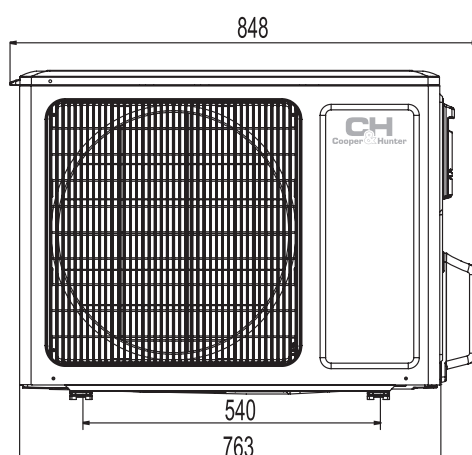
Model	W (mm)	H (mm)	D (mm)
CH-S09FTXLA-NG	790	275	200
CH-S12FTXLA-NG	845	289	209
CH-S18FTXLA-NG	970	300	224
CH-S24FTXLA-NG	1078	325	246

# OUTDOOR UNIT

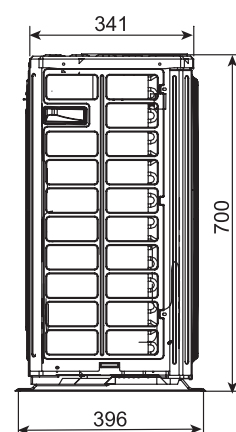
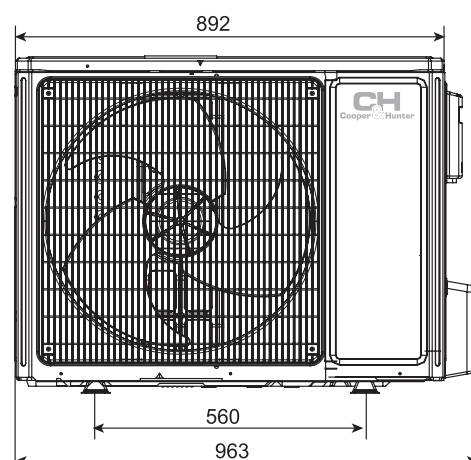
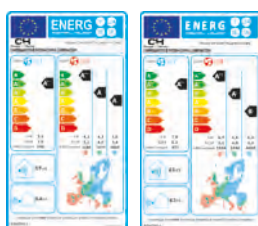
CH-S09FTXLA-NG



CH-S12FTXLA-NG



CH-S18FTXLA-NG  
CH-S24FTXLA-NG



Model			CH-S09FTXLA-NG	CH-S12FTXLA-NG	CH-S18FTXLA-NG	CH-S24FTXLA-NG
Capacity	Cooling	kW	2,70 (0,45-3,50)	3,50 (0,70-4,00)	5,20 (1,26-6,60)	7,00 (2,00-8,32)
	Heating	kW	2,80 (0,45-4,20)	3,67 (0,80-4,50)	5,30 (1,12-6,80)	7,40 (2,00-9,20)
Power supply			~220-240 V/50 Hz			
Consumed power	Cooling	kW	0,61 (0,09-1,40)	0,80 (0,09-1,45)	1,18 (0,38-2,45)	1,62 (0,40-3,10)
	Heating	kW	0,61 (0,16-1,50)	0,79 (0,18-1,50)	1,14 (0,35-2,60)	1,63 (0,45-3,75)
Energy performance	SEER (Cooling)	kW/kW	6,8 (A++)	7,0 (A++)	7,0 (A++)	6,5 (A++)
	SCOP (Heating)	kW/kW	4,0 (A+)	4,0 (A+)	4,0 (A+)	4,0 (A+)
Air flow		m <sup>3</sup> /h	290/330/380/430/460/490/560	390/420/450/490/560/620/680	470/520/570/610/720/800	800/850/900/950/1050/1150/1250
Sound pressure level	Indoor unit	dB (A)	22/24/26/28/32/35/37	22/24/26/29/32/35/38	27/31/34/35/38/41/45	29/34/36/37/39/42/45
	Outdoor unit	dB (A)	50	52	57	57
Refrigerant type			R32			
Weight	Indoor unit	kg	9	10,5	13,5	16,5
	Outdoor unit	kg	27,5	31	45	53,5
Compressor type			Rotary			
Drying		l/h	0,80	1,40	1,8	2,4
Cooling operation ambient temperature		°C	-15 ... +48			
Heating operation ambient temperature		°C	-25 ... +24			
Gas charge volume		kg	0,55	0,70	1,00	1,70
Liquid line diameter		mm/inch	6,38/1/4"	6,38/1/4"	6,38/1/4"	6,38/1/4"
Gas line diameter		mm/inch	9,53/3/8"	9,53/3/8"	12,7/1/2"	15,88/5/8"
Maximal difference in level		m	10	10	10	10
Maximal pipe length		m	15	20	25	20
Distance between the bolts of the outdoor unit fastening		mm	510	540	560	560

\* SEER - seasonal coefficient of system cooling capacity.  
\*\* SCOP - seasonal coefficient of system cooling capacity.



# NORDIC EVO NG SERIES



**INVERTER**



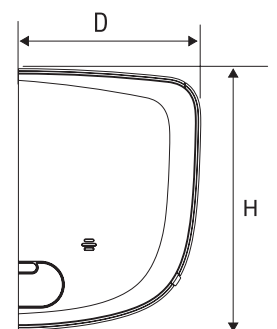
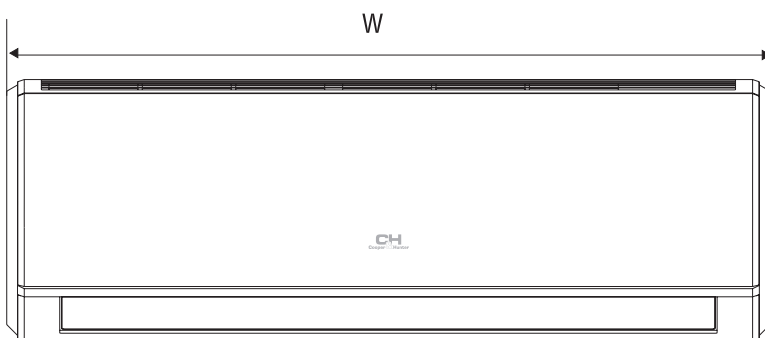
- ▶ Household heat pump. It is customized to generate heat in northern countries;
- ▶ Original compressor: TM PANASONIC;
- ▶ Step-less Fan Control; a unique technology of smooth regulation of indoor unit fan speed within the wide range from 1 to 100%;
- ▶ The technology "I-Action": smooth and stable compressor operation at extra low frequencies (1 Hz);
- ▶ A special operation algorithm providing stable

- and effective operation at negative outdoor temperatures;
- ▶ Smart defrosting, heating of the compressor and sump, outdoor unit fan speed regulator;
- ▶ Built-in Wi-Fi module for long-distance Wi-Fi control via Android/iOS application;
- ▶ Your house protection against freezing: the "+8°C function". The air conditioner will maintain +8°C temperature preventing room freezing and consuming low energy.



Model		CH-S09FTXN-NG	CH-S12FTXN-NG	CH-S18FTXN-NG	CH-S24FTXN-NG
Capacity	Cooling kW	2.60 (0.48-2.90)	3.40 (0.60-3.90)	5.27 (1.00-6.70)	6.45 (1.40-7.00)
	Heating kW	2.80 (0.73- 3.30)	3.60 (0.80-4.20)	5.50 (1.10-6.80)	6.60 (1.50-7.90)
Consumed power	Cooling kW	0.57 (0.13-1.43)	0.77 (0.09-1.56)	1.19 (0.32-2.46)	1.47 (0.38-2.80)
	Heating kW	0.62 (0.17-1.55)	0.80 (0.14-1.65)	1.19 (0.35-2.30)	1.42 (0.40-2.50)

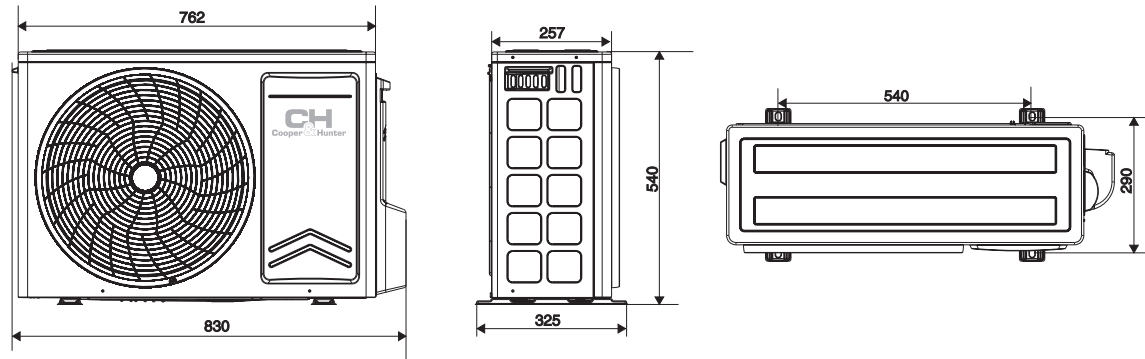
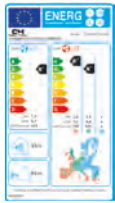
## INDOOR UNIT



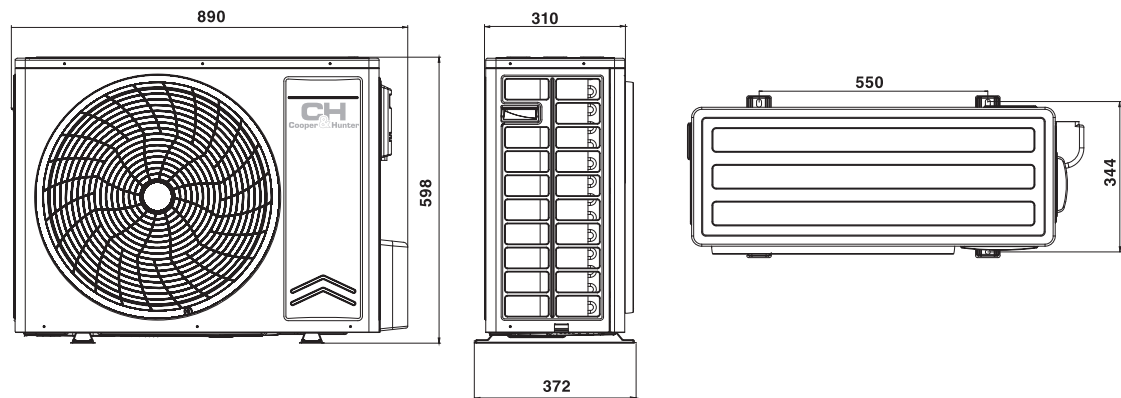
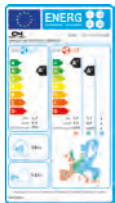
Model	W (mm)	H (mm)	D (mm)
CH-S09FTXN-NG	792	279	195
CH-S12FTXN-NG	792	279	195
CH-S18FTXN-NG	972	302	224
CH-S24FTXN-NG	1081	327	248

# OUTDOOR UNIT

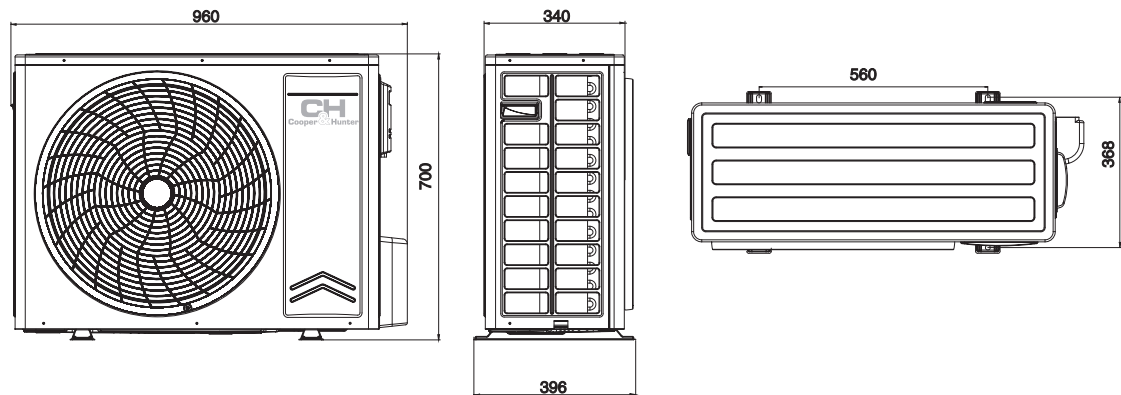
CH-S09FTXN-NG  
CH-S12FTXN-NG



CH-S18FTXN-NG



CH-S24FTXN-NG



Model			CH-S09FTXN-NG	CH-S12FTXN-NG	CH-S18FTXN-NG	CH-S24FTXN-NG
Capacity	Cooling	kW	2.60 (0.48-2.90)	3.40 (0.60-3.90)	5.27 (1.00-6.70)	6.45 (1.40-7.00)
	Heating	kW	2.80 (0.73-3.30)	3.60 (0.80-4.20)	5.50 (1.10-6.80)	6.60 (1.50-7.90)
Power supply			~220-240 V/50 Hz/1 Ph			
Consumed power	Cooling	kW	0.57 (0.13-1.43)	0.77 (0.09-1.56)	1.19 (0.32-2.46)	1.47 (0.38-2.80)
	Heating	kW	0.62 (0.17-1.55)	0.80 (0.14-1.65)	1.19 (0.35-2.30)	1.42 (0.40-2.50)
SEER*/SCOP** (Energy performance class)			6,7(A++)/4,8(A++)	6,5(A++)/4,8(A++)	6,4(A++)/4,8(A++)	6,4(A++)/4,8(A++)
Air flow		m <sup>3</sup> /h	520/440/230/150	550/470/250/180	850/760/570/480	1090/930/670/560
Level of soundpressure	Indoor unit (min/ave/max)/	dB (A)	40/36/24/19	41/37/25/20	43/39/29/26	45/40/31/27
	Outdoor unit					
<b>Refrigerant type</b>						
<b>R32</b>						
Weight	Indoor unit	kg	9	9	13	16
	Outdoor unit	kg	29	30,5	40	43,5
Compressor type			rotor			
Drying		l/h	0.80	1.40	1.80	2.04
Cooling operation ambient temperature		°C	+18/+52			
Heating operation ambient temperature		°C	-25/+24			
Gas charge volume		kg	0.52	0.78	0.93	1.05
Liquid line diameter		mm/inch	6.38/1/4"	6.38/1/4"	6.38/1/4"	6.38/1/4"
Gas line diameter		mm/inch	9.53/3/8"	9.53/3/8"	12.7/1/2"	16.7/5/8"
Maximal difference in level		m	10	10	10	10
Maximal pipe length		m	20	20	25	25
Distance between the bolts of the outdoor unit fastening		mm	540		550	560

\* SEER - seasonal coefficient of system cooling capacity.

\*\* SCOP - seasonal coefficient of system cooling capacity.



# VERITAS NG SERIES



**INVERTER**

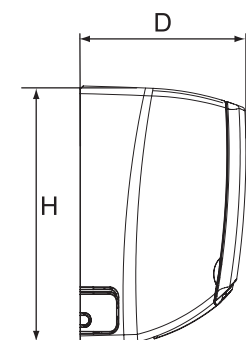
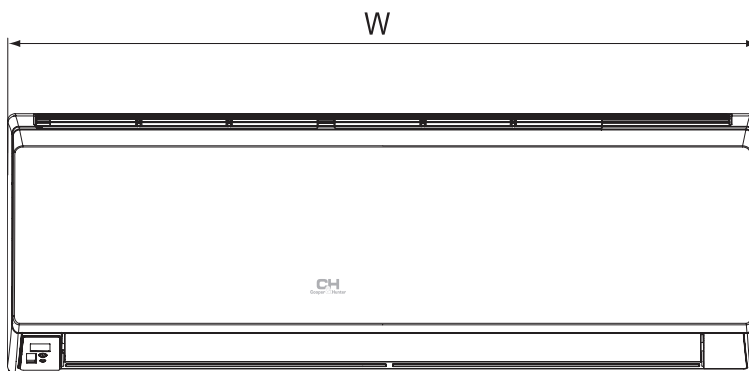


- ▶ "CH 7-SKY Technology" complex filtration system based on seven filters of wide effect spectrum;
- ▶ "CH SMART-ION Filter" – the new generation technology of total cleaning of air;
- ▶ Built-in Wi-Fi module for long-distance Wi-Fi control via Android/iOS application;
- ▶ Indoor unit self-cleaning;
- ▶ Wide angle louvres that cover the entire room volume;
- ▶ Your house protection against freezing: the "+8°C function". The air conditioner will maintain +8°C temperature preventing room freezing and consuming low energy.



Model			CH-S09FTXQ-NG	CH-S12FTXQ-NG	CH-S18FTXQ-NG	CH-S24FTXL2Q-NG
Capacity	kW	Cooling	2.60 (0.50-3.35)	3.50 (0.60-3.60)	5.00 (0.65-5.20)	7,00 (1,93-8.85)
	kW	Heating	2.80 (0.50-3.50)	3.60 (0.60-3.80)	5.30 (0.70-5.40)	7,40 (1,80-10,63)
Consumed power	kW	Cooling	0.718 (0.16-1.40)	0.972 (0.12-1.40)	1.39 (0.15-1.70)	1,62 (0,40-3,10)
	kW	Heating	0.733 (0.20-1.50)	0.942 (0.12-1.50)	1.34 (0.16-1.680)	1,63 (0,45-3,75)

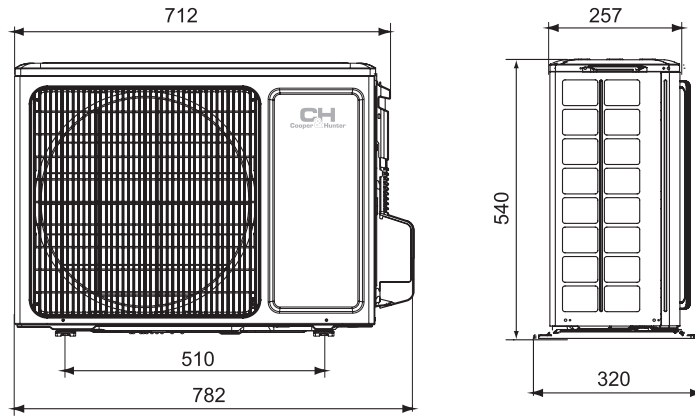
## INDOOR UNIT



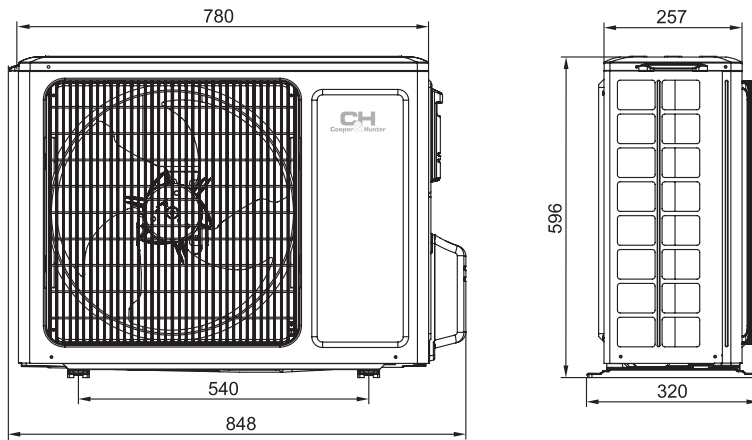
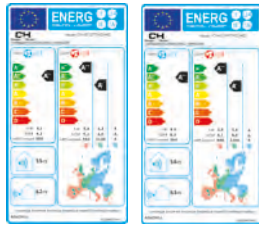
Model	W (mm)	H (mm)	D (mm)
CH-S09FTXQ-NG	790	275	200
CH-S12FTXQ-NG	790	275	200
CH-S18FTXQ-NG	970	300	225
CH-S24FTXL2Q-NG	1078	325	246

# OUTDOOR UNIT

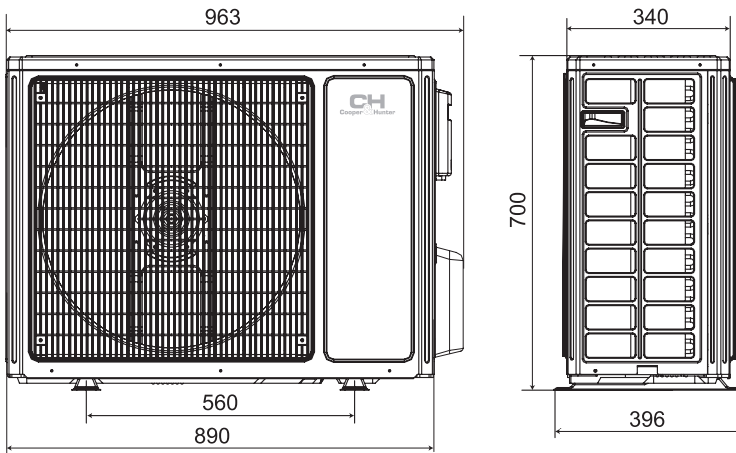
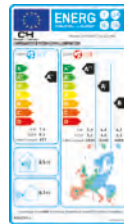
CH-S09FTXQ-NG



CH-S12FTXQ-NG  
CH-S18FTXQ-NG



CH-S24FTXL2Q-NG



Model			CH-S09FTXQ-NG	CH-S12FTXQ-NG	CH-S18FTXQ-NG	CH-S24FTXL2Q-NG		
Capacity	Cooling	kW	2.60 (0.50-3.35)	3.50 (0.60-3.60)	5.00 (0.65-5.20)	7.00 (1.93-8.85)		
	Heating	kW	2.80 (0.50-3.30)	3.60 (0.60-3.80)	5.30 (0.70-5.40)	7.40 (1.80-10.63)		
Power supply			~220-240 V/50 Hz/1 Ph					
Consumed power	Cooling	kW	0.72 (0.16-1.40)	0.97 (0.12-1.40)	1.39 (0.15-1.70)	1.62 (0.40-3.10)		
	Heating	kW	0.71 (0.20-1.50)	0.92 (0.12-1.50)	1.34 (0.16-1.6.0)	1.63 (0.45-3.75)		
SEER*/SCOP** (Energy performance class)			6.1 (A++)/4.0 (A+)	6.1 (A++)/4.0 (A+)	6.1 (A++)/4.0 (A+)	6.5 (A++)/4.0 (A+)		
Air flow		m <sup>3</sup> /h	330/430/490/560	290/410/480/560	520/610/720/850	800/850/900/950/1050/1150/1250		
Level of soundpressure	Indoor unit (min/ave/max)/	dB (A)	23/26/30/36		24/28/32/37		28/33/39/45	
	Outdoor unit		52	52	54	57		
Refrigerant type			R 32					
Weight	Indoor unit/Outdoor unit	kg	9/29.5	9/31	13.5/34	16.5/53.5		
Compressor type			rotor					
Drying		l/h	0.8	1.4	1.8	2.4		
Cooling operation ambient temperature		°C	-15/+48					
Heating operation ambient temperature		°C	-15/+24					
Gas charge volume		kg	0.6	0.59	0.77	1.70		
Liquid line diameter		mm/inch	6.38/1/4"					
Gas line diameter		mm/inch	9.53/3/8"		9.53/3/8"		15.88/5/8"	
Maximal difference in level		m	10					
Maximal pipe length		m	19					
Distance between the bolts of the outdoor unit fastening		mm	510		540		560	

\* SEER - seasonal coefficient of system cooling capacity.

\*\* SCOP - seasonal coefficient of system cooling capacity.

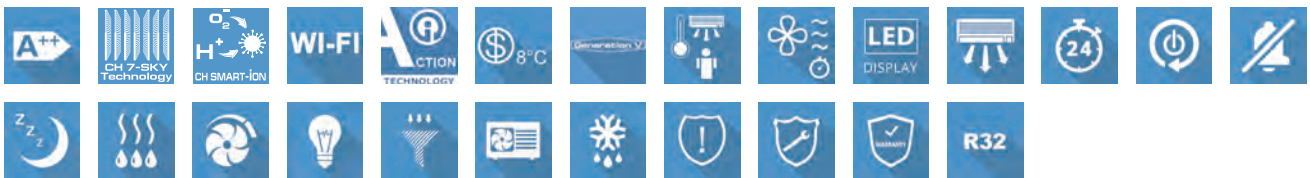


# ALPHA NG

СЕРИЯ



INVERTER

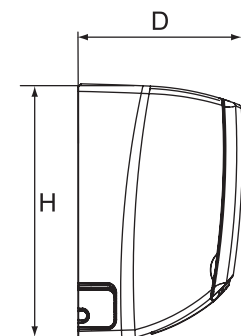
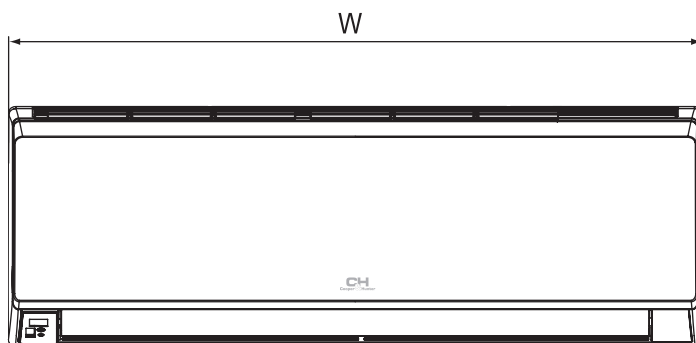


- ▶ "CH 7-SKY Technology" complex filtration system based on seven filters purification;
- ▶ "CH SMART-ION Filter" – the new generation technology of cleaning the air;
- ▶ The technology "I-Action": smooth and stable compressor operation at extra low frequencies (1 Hz);
- ▶ Built-in Wi-Fi module for long-distance Wi-Fi control via Android/iOS application;
- ▶ Your house protection against freezing: the "+8°C function". The air conditioner will maintain +8°C temperature preventing room freezing and consuming low energy.



Model			CH-S09FTXE-NG	CH-S12FTXE-NG	CH-S18FTXE-NG	CH-S24FTXL2E-NG
Capacity	Cooling	kW	2.60 (0.50-3.35)	3.50 (0.60-3.60)	5.00 (0.65-5.20)	7,00 (1,93-8.85)
	Heating	kW	2.80 (0.50-3.50)	3.60 (0.60-3.80)	5.30 (0.70-5.40)	7,40 (1,80-10,63)
Consumed power	Cooling	kW	0.718 (0.16-1.40)	0.972 (0.12-1.40)	1.39 (0.15-1.70)	1,62 (0,40-3,10)
	Heating	kW	0.733 (0.20-1.50)	0.942 (0.12-1.50)	1.34 (0.16-1.680)	1,63 (0,45-3,75)

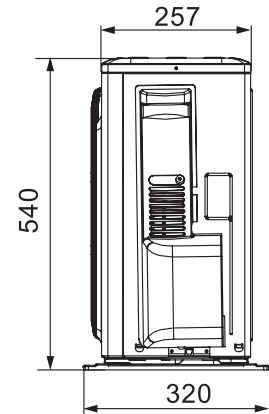
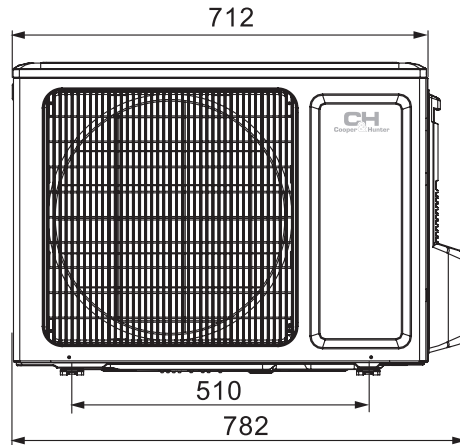
## INDOOR UNIT



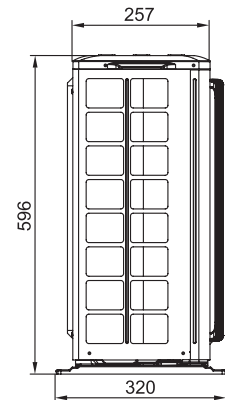
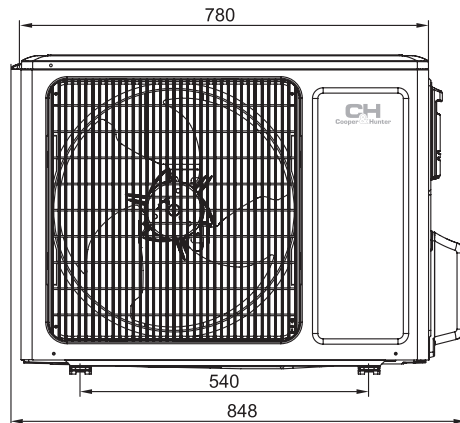
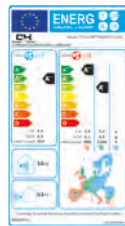
Model	W (mm)	H (mm)	D (mm)
CH-S09FTXE-NG	790	275	200
CH-S12FTXE-NG	790	275	200
CH-S18FTXE-NG	970	300	225
CH-S24FTXL2E-NG	1078	325	246

# OUTDOOR UNIT

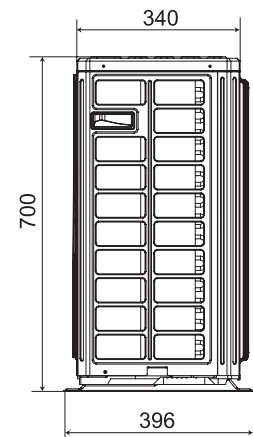
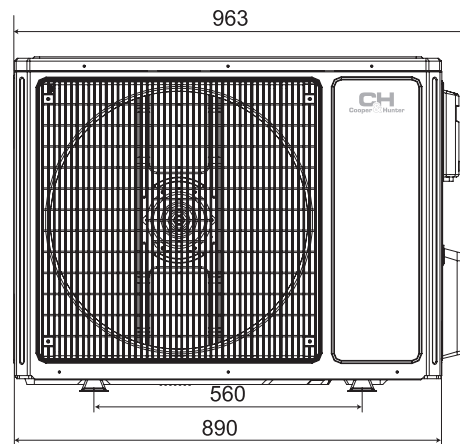
CH-S09FTXE-NG



CH-S12FTXE-NG  
CH-S18FTXE-NG



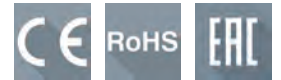
CH-S24FTXL2E-NG



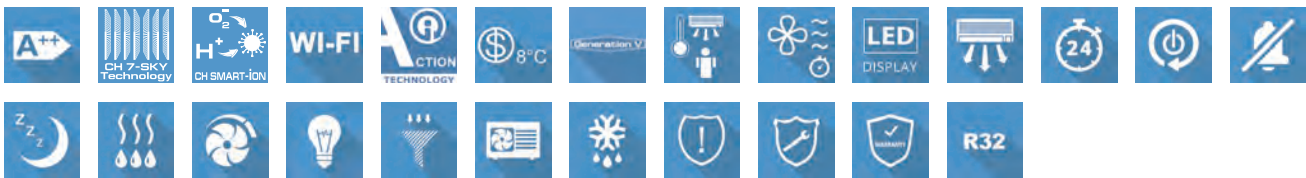
Model			CH-S09FTXE-NG	CH-S12FTXE-NG	CH-S18FTXE-NG	CH-S24FTXL2E-NG
Capacity	Cooling	kW	2.60 (0.50-3.35)	3.50 (0.60-3.60)	5.00 (0.65-5.20)	7.00 (1.93-8.85)
	Heating	kW	2.80 (0.50-3.30)	3.60 (0.60-3.80)	5.30 (0.70-5.40)	7.40 (1.80-10.63)
Power supply			~220-240 V/50 Hz/1 Ph			
Consumed power	Cooling	kW	0.72 (0.16-1.40)	0.97 (0.12-1.40)	1.39 (0.15-1.70)	1.62 (0.40-3.10)
	Heating	kW	0.71 (0.20-1.50)	0.92 (0.12-1.50)	1.34 (0.16-1.6.0)	1.63 (0.45-3.75)
SEER*/SCOP** (Energy performance class)			6.1 (A++)/4.0(A+)	6.1 (A++)/4.0(A+)	6.1 (A++)/4.0(A+)	6.5 (A++)/4.0(A+)
Air flow		m <sup>3</sup> /h	330/430/490/560	290/410/480/560	520/610/720/850	800/850/900/950/1050/1150/1250
Sound pressure level	Indoor unit (min/ave/max)	dB (A)	23/26/30/36	24/28/32/37	28/33/39/45	29/34/36/37/39/42/45
	Outdoor unit	dB (A)	52	52	54	57
Refrigerant type			R 32			
Weight	Indoor unit	kg	9	9	13.5	16.5
	Outdoor unit	kg	29.5	31	34	53.5
Compressor type			rotor			
Drying		l/h	0.8	1.4	1.8	2.4
Cooling operation ambient temperature		°C	-15/+48			
Heating operation ambient temperature		°C	-15/+24			
Gas charge volume		kg	0.6	0.59	0.77	1.70
Liquid line diameter		mm/inch	6.38/1/4"	6.38/1/4"	6.38/1/4"	6.38/1/4"
Gas line diameter		mm/inch	9.53/3/8"	9.53/3/8"	9.53/3/8"	15.88/5/8"
Maximal difference in level		m	10	10	10	10
Maximal pipe length		m	19	20	20	20
Distance between the bolts of the outdoor unit fastening		mm	510	540	540	560

\* SEER - seasonal coefficient of system cooling capacity.  
\*\* SCOP - seasonal coefficient of system cooling capacity.

# VITAL INVERTER SERIES



INVERTER

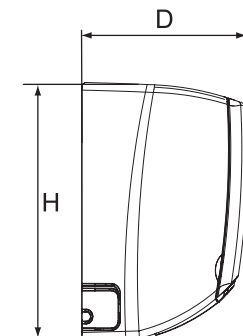
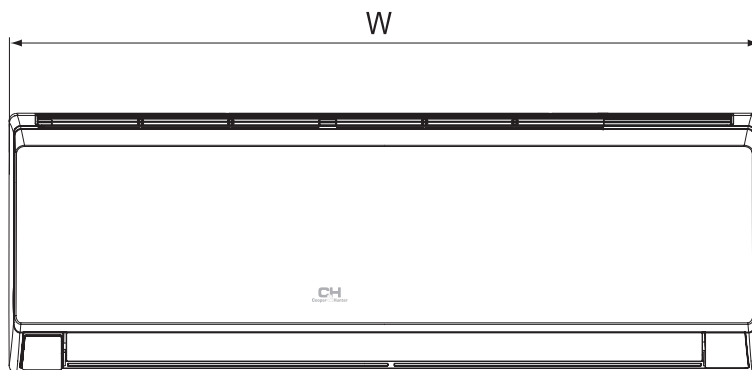


- ▶ "CH 7-SKY Technology" complex filtration system based on seven filters of wide effect spectrum;
- ▶ "CH SMART-ION Filter" – the new generation technology of total cleaning of air;
- ▶ The technology "I-ACTION": smooth and stable compressor operation at extra low frequencies (1 Hz);
- ▶ Built-in Wi-Fi module for long-distance Wi-Fi control via Android/iOS application;
- ▶ Your house protection against freezing: the "+8°C function". The air conditioner will maintain +8°C temperature preventing room freezing and consuming low energy.



Model			CH-S09FTXF-NG	CH-S12FTXF-NG	CH-S18FTXF-NG	CH-S24FTXF-NG
Capacity	kW	Cooling	2.50 (0.50-3.35)	3.20 (0.60-3.60)	4.60 (0.65-5.20)	6.16 (2.00-8.20)
	kW	Heating	2.80 (0.50-3.30)	3.40 (0.60-3.80)	5.20 (0.70-5.40)	6.45 (2.00-8.50)
Consumed power	kW	Cooling	0.78 (0.16-1.40)	0.99 (0.16-1.40)	1.43 (0.16-1.70)	1.76 (0.16-2.50)
	kW	Heating	0.78 (0.20-1.50)	0.94 (0.20-1.50)	1.40 (0.20-1.60)	1.86 (0.20-2.60)

## INDOOR UNIT

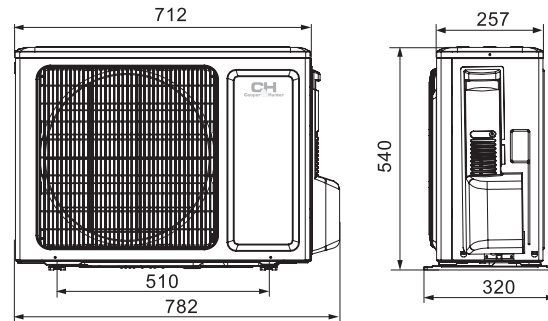
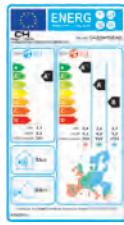


Model	W (mm)	H (mm)	D (mm)
CH-S09FTXF-NG	773	250	185
CH-S12FTXF-NG	773	250	185
CH-S18FTXF-NG	970	300	225
CH-S24FTXF-NG	970	300	225

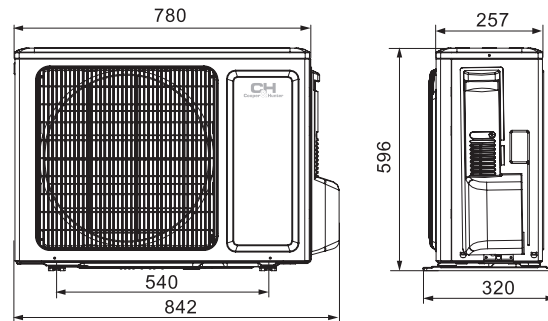
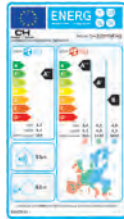


# OUTDOOR UNIT

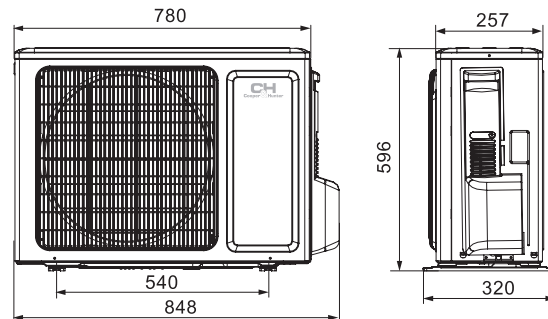
CH-S09FTXF-NG



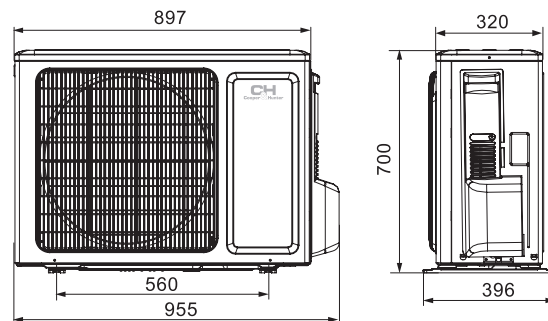
CH-S12FTXF-NG



CH-S18FTXF-NG



CH-S24FTXF-NG



Model			CH-S09FTXF-NG	CH-S12FTXF-NG	CH-S18FTXF-NG	CH-S24FTXF-NG
Capacity	Cooling	kW	2.50 (0.50-3.35)	3.20 (0.60-3.60)	4.60 (0.65-5.20)	6.16 (2.00-8.20)
	Heating	kW	2.80 (0.50-3.30)	3.40 (0.60-3.80)	5.20 (0.70-5.40)	6.45 (2.00-8.50)
Power supply			~220-240 V/50 Hz/1 Ph			
Consumed power	Cooling	kW	0.78 (0.16-1.40)	0.99 (0.16-1.40)	1.43 (0.16-1.70)	1.76 (0.16-2.50)
	Heating	kW	0.78 (0.20-1.50)	0.94 (0.20-1.50)	1.40 (0.20-1.60)	1.86 (0.20-2.60)
SEER*/SCOP** (Energy performance class)			6.1 (A++)/4.0 (A+)	6.1 (A++)/4.0 (A+)	6.1 (A++)/4.0 (A+)	6.1 (A++)/4.0 (A+)
Air flow		m³/h	330/430/490/550	290/410/480/550	520/610/720/850	520/610/720/850
Level of soundpressure	Indoor unit (min/ave/max)/	dB (A)	23/26/30/37	24/28/32/37	28/33/39/45	30/34/39/44
	Outdoor unit					
Refrigerant type			R32			
Weight	Indoor unit/Outdoor unit	kg	8.5/29	8.5/31	13.5/34	13.5/46
Compressor type			rotor			
Drying		l/h	0.8	1.4	1.8	1.8
Cooling operation ambient temperature		°C	-15/+43			
Heating operation ambient temperature		°C	-15/+24			
Gas charge volume		kg	0.60	0.65	0.77	1.30
Liquid line diameter		mm/inch	6.38/1/4"	6.38/1/4"	6.38/1/4"	6.38/1/4"
Gas line diameter		mm/inch	9.53/3/8"	9.53/3/8"	9.53/3/8"	15.88/5/8"
Maximal difference in level		m	10	10	10	10
Maximal pipe length		m	15	20	20	25
Distance between the bolts of the outdoor unit fastening		mm	510	540	540	560

\* SEER - seasonal coefficient of system cooling capacity.  
 \*\* SCOP - seasonal coefficient of system cooling capacity.

# WINNER SERIES



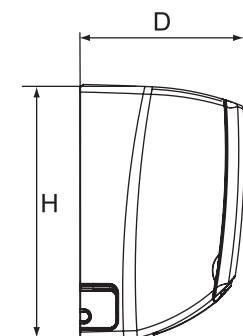
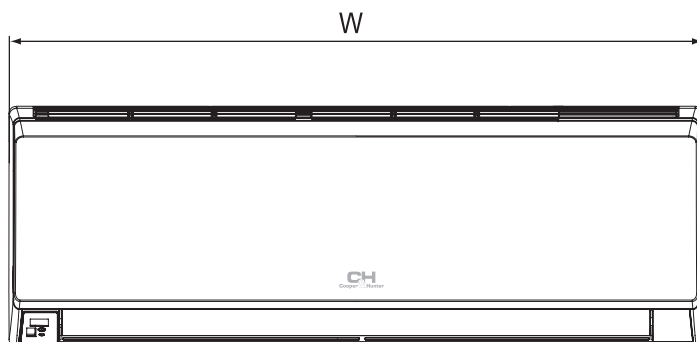
- ▶ "CH SMART-ION Filter" – the new generation technology of total cleaning of air;
- ▶ The technology "I-Action": smooth and stable compressor operation at extra low frequencies (1 Hz);

- ▶ Your house protection against freezing: the "+8°C function". The air conditioner will maintain +8°C temperature preventing room freezing and consuming low energy.



Model		CH-S07FTX5	CH-S09FTX5	CH-S12FTX5	CH-S18FTX5	CH-S24FTX5
Capacity	Cooling kW	2.20 (0.37-2.53)	2.60 (0.44-3.00)	3.50 (0.60-3.60)	5.00 (0.65-5.20)	6.70 (2.00-8.20)
	Heating kW	2.30 (0.51-2.60)	2.80 (0.60-3.20)	3.60 (0.60-3.80)	5.30 (0.70-5.48)	7.25 (2.00-8.50)
Consumed power	Cooling kW	0.608 (0.10-0.95)	0.718 (0.12-1.30)	0.972 (0.12-1.40)	1.43 (0.15-1.86)	1.875 (0.40-3.70)
	Heating kW	0.602 (0.10-0.91)	0.733 (0.12-1.40)	0.942 (0.12-1.50)	1.38 (0.16-1.68)	1.945 (0.45-3.80)

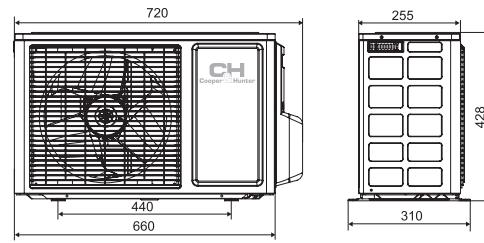
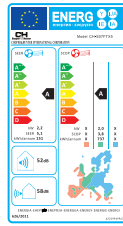
## INDOOR UNIT



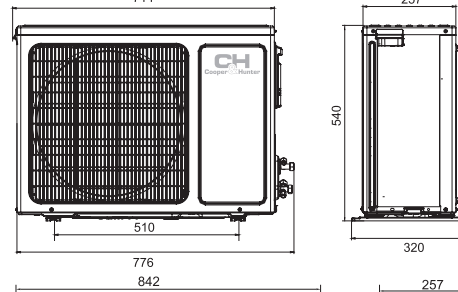
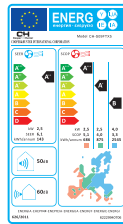
Model	W (mm)	H (mm)	D (mm)
CH-S07FTX5	790	275	200
CH-S09FTX5	790	275	200
CH-S12FTX5	790	275	200
CH-S18FTX5	970	300	224
CH-S24FTX5	1078	325	246

# OUTDOOR UNIT

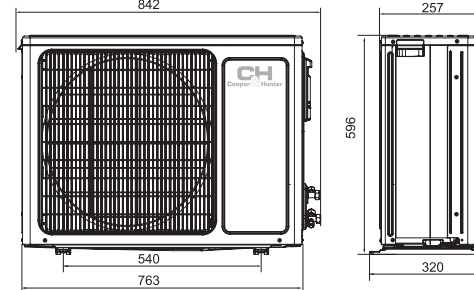
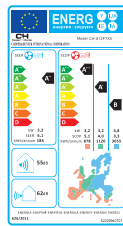
CH-S07FTX5



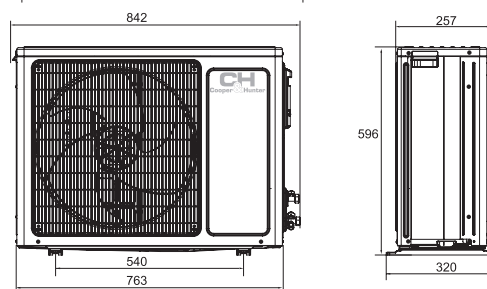
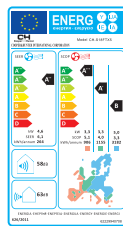
CH-S09FTX5



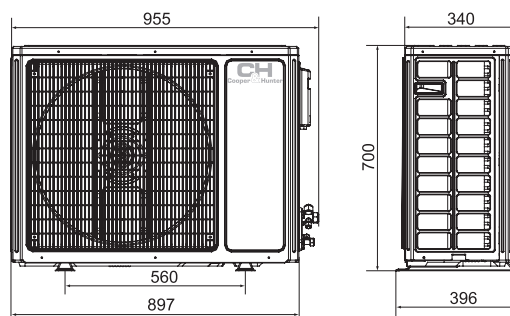
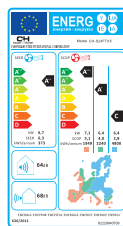
CH-S12FTX5



CH-S18FTX5



CH-S24FTX5



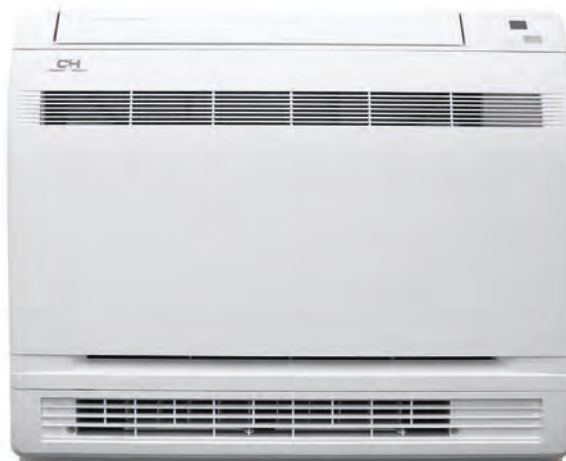
Model			CH-S07FTX5	CH-S09FTX5	CH-S12FTX5	CH-S18FTX5	CH-S24FTX5
Capacity	Cooling	kW	2.20 (0.37-2.53)	2.60 (0.44-3.00)	3.50 (0.60-3.60)	5.00 (0.65-5.20)	6.70 (2.00-8.20)
	Heating	kW	2.30 (0.51-2.60)	2.80 (0.60-3.20)	3.60 (0.60-3.80)	5.30 (0.70-5.48)	7.25 (2.00-8.50)
Power supply			~220-240 V/50 Hz				
Consumed power	Cooling	kW	0.608 (0.10-0.95)	0.718 (0.12-1.30)	0.972 (0.12-1.40)	1.43 (0.15-1.86)	1.875 (0.40-3.70)
	Heating	kW	0.602 (0.10-0.91)	0.733 (0.12-1.40)	0.942 (0.12-1.50)	1.38 (0.16-1.68)	1.945 (0.45-3.80)
SEER*/SCOP** (Energy performance class)			5.1 (A)/3.8 (A)	6.1 (A++)/4.0 (A+)	6.1 (A++)/4.0 (A+)	6.1 (A++)/4.0 (A+)	6.3 (A++)/4.0 (A+)
Air flow		m <sup>3</sup> /h	300/390/420/500	210/320/370/480	290/410/480/560	520/610/720/850	850/950/1000/1150
Sound pressure level	Indoor unit (min/ave/max)/	dB (A)	22/25/27/29	23/26/35/38	24/28/37/40	28/33/39/44	30/33/40/45
	Outdoor unit						
<b>Refrigerant type</b>			<b>R410A</b>				
Weight	Indoor unit/Outdoor unit	kg	8.5/21.5	9/26.5	9/31	13.5/33.5	17/53
Compressor type			rotor				
Drying		l/h	0.8	0.8	1.4	1.8	2.0
Cooling operation ambient temperature		°C	-15/+48				
Heating operation ambient temperature		°C	-15/+24				
Gas charge volume		kg	0.55	0.7	0.90	1.1	1.9
Liquid line diameter		mm/inch	6.38/1/4"	6.38/1/4"	6.38/1/4"	6.38/1/4"	6.38/1/4"
Gas line diameter		mm/inch	9.53/3/8"	9.53/3/8"	9.53/3/8"	9.53/3/8"	15.88/5/8"
Maximal difference in level		m	10	10	10	10	10
Maximal pipe length		m	15	15	20	20	25
Distance between bolts of outdoor unit fastening		mm	440	510	540	540	560

\* SEER - seasonal coefficient of system cooling capacity.

\*\* SCOP - seasonal coefficient of system cooling capacity.



# INVERTER CONSOLE SERIES



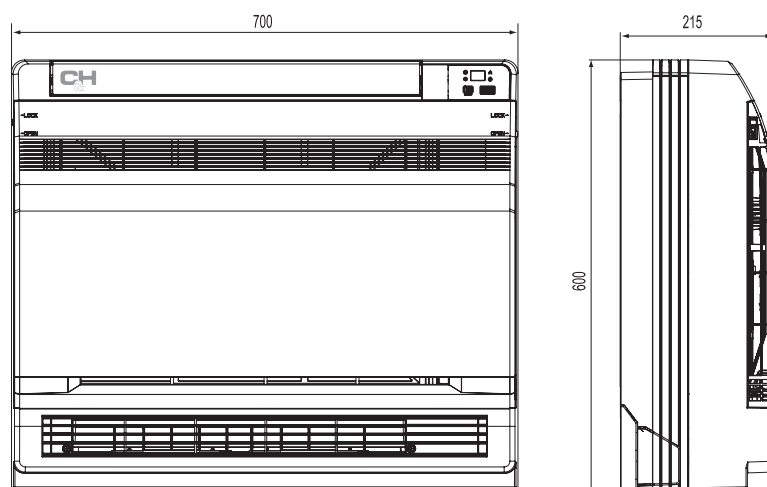
- ▶ Household heat pump;
- ▶ Operation range from -15°C to +43°C to generate cold and from -25°C to +24°C to generate heat;
- ▶ The technology "I-Action": smooth and stable compressor operation at extra low frequencies (1 Hz);
- ▶ Noise Analysis Technology – almost noiseless operation of indoor and outdoor units;
- ▶ The technology Dual stream: distribution of air

- ▶ flow outgoing from upper and lower louvres;
- ▶ Built-in Wi-Fi module for long-distance Wi-Fi control via Android/iOS application;
- ▶ A special operation algorithm providing stable and effective operation at negative outdoor temperatures;
- ▶ Your house protection against freezing: the "+8°C function". The air conditioner will maintain +8°C temperature preventing room freezing and consuming low energy.



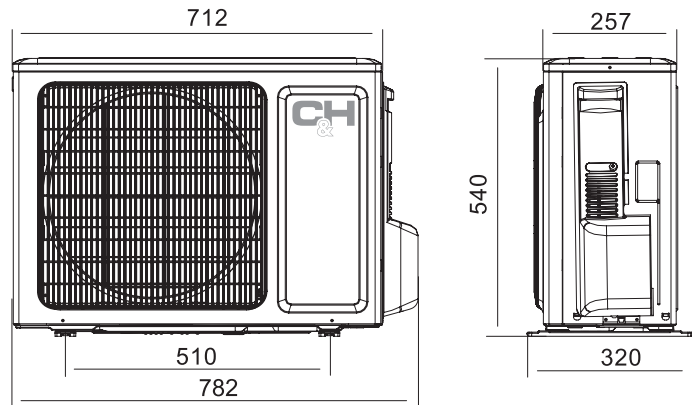
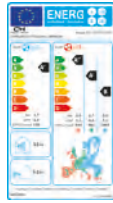
Model			CH-S09FVX (Wi-Fi)	CH-S12FVX (Wi-Fi)	CH-S18FVX (Wi-Fi)
Capacity	Cooling	kW	2,70 (0.45-3.20)	3,50 (0.60-3.95)	5,20 (0.90-5.60)
	Heating	kW	2,80 (0.45-3.75)	3,75 (0.60-4.70)	5,33 (0.90-6.60)
Consumed power	Cooling	kW	0,66 (0.20-1.55)	0,98 (0.22-1.40)	1,42 (0.35-2.50)
	Heating	kW	0,81 (0.20-1.35)	1,00 (0.22-1.58)	1,53 (0.35-2.50)

## INDOOR UNIT

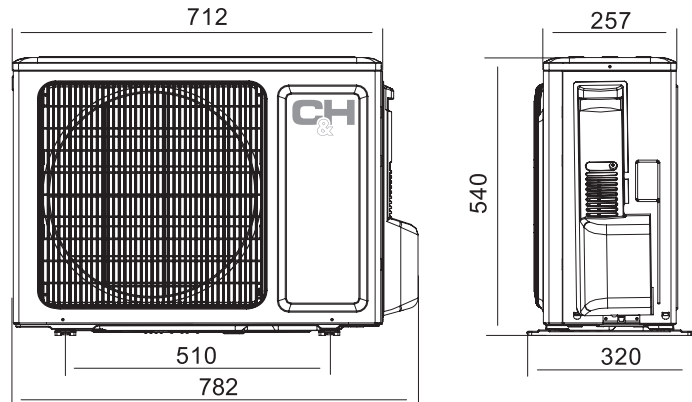
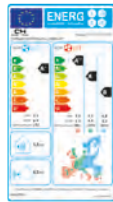


# OUTDOOR UNIT

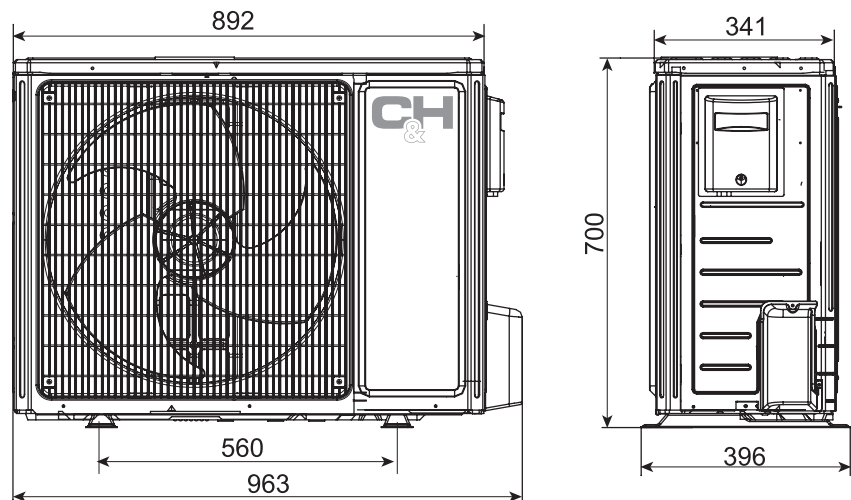
CH-S09FVX (Wi-Fi)



CH-S12FVX (Wi-Fi)



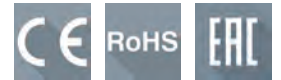
CH-S18FVX (Wi-Fi)



Model			CH-S09FVX (Wi-Fi)	CH-S12FVX (Wi-Fi)	CH-S18FVX (Wi-Fi)
Capacity	Cooling	kW	2.70 (0.45-3.20)	3.50 (0.60-3.95)	5.20 (0.90-5.60)
	Heating	kW	2.80(0.45-3.75)	3.75 (0.60-4.70)	5.33 (0.90-6.60)
Power supply			~220-240V/50Hz		
Consumed power	Cooling	kW	0.66 (0.20-1.30)	0.98 (0.22-1.35)	1.42 (0.38-2.45)
	Heating	kW	0.81 (0.20-1.40)	1.00 (0.19-1.60)	1.53 (0.35-2.50)
SEER*/SCOP** (Energy performance class)			6.5 (A++) /4.0 (A+)		
Air flow			m <sup>3</sup> /h 500/430/410/370/330/280/250 600/520/480/440/400/360/280 700/650/580/520/460/410/320		
Sound pressure level	Indoor unit	dB (A)	22/28/36		
	Outdoor unit	dB (A)	50	50	53
Refrigerant type			R410A		
Weight	Indoor unit	kg	15.5		
	Outdoor unit	kg	31	31.5	46
Compressor type			rotor		
Drying			0.80	1.20	1.80
Cooling operation ambient temperature			°C -15 ... +43		
Heating operation ambient temperature			°C -25 ... +24		
Gas charge volume			0.90	0.95	1.30
Liquid line diameter			mm/inch 6.38/1/4"		
Gas line diameter			mm/inch 9.53/3/8"		
Maximal difference in level			m 10		
Maximal pipe length			m 15		
Distance between the bolts of the outdoor unit fastening			mm 510		

\* SEER - seasonal coefficient of system cooling capacity.  
 \*\* SCOP - seasonal coefficient of system cooling capacity.

# MONOBLOCK



**INVERTER**



Unique air conditioner without outdoor units. Designed for preserving the external outlook of the buildings. Can be installed by enduser.

- ▶ Ultra-thin design;
- ▶ The monoblock is the thinnest in its category: only 16 mm deep;
- ▶ Simple installation;
- ▶ "No Frost" system;
- ▶ The monoblock unit can be installed in any wall place: either at the top or at the bottom;
- ▶ A drainage pipe is constantly heated; this prevents condensate freezing in winter;
- ▶ The monoblock unit operates both in the cooling mode and in the heating mode;

Model		CH-VC11TH	CH-VC13TH
Cooling power	kW	2.04	2.35
Power in the maximal cooling mode. Double power	kW	2.60	3.10
Heating power (2)	kW	2.10	2.36
Heating power (3)	kW	0.98	1.11
Maximal heating power. Double power	kW	2.64	3.05
Consumed power when cooling (1)	kW	0.63	0.73
Consumed power when heating (2)	kW	0.638	0.72
Drying capacity	l/h	1.0	1.1
Power supply	V/Hz	-220-240V/50Hz	-220-240V/50Hz
EER	W/W	3.24	3.22
COP	kW/kW	3.29	3.28
Energy performance class when cooling		A+	A+
Energy performance class when heating		A	A
Indoor-outdoor ventilation speed	No.	3	3
Indoor-outdoor air flow at maximal speed	m <sup>3</sup> /h	380/460	400/480
Indoor-outdoor air flow at average speed	m <sup>3</sup> /h	310/380	320/390
Indoor-outdoor air flow at minimal speed	m <sup>3</sup> /h	260/330	270/340
Overall dimensions, (WxHxD)	mm	1030x555x170	1030x555x170
Weight, including package	kg	48.5	48.5
Sound pressure level (min-max) (4)	dB (A)	26/39	27/41
Sound power level inside the device (min-max)	dB (A)	44/57	45/58
Wall hole diameter	mm	162	162
Distance between wall holes	mm	293	293
<b>Refrigerant type</b> R410A			
Refrigerant quantity R410A	gr.	560	560
Total heating potential (GWP 2088)	kg CO <sub>2</sub> eq.	1,169	1,169
Maximal consumed power	kW	0.950*	1,060*
Maximal absorbed current	A	4.4*	4.8*
Maximal operating pressure PS	MPa	3.8	3.8
Protection degree		IPX0	IPX0

\* With the double power function, which activates during heating

Initial conditions	Indoor T	Outdoor T
(1) Cooling mode tests (EN 14511)	DB 27°C - WB 19°C	DB 35°C - WB 24°C
(2) Heating mode tests (EN 14511)	DB 20°C - WB 15°C	DB 7°C - WB 6°C
(3) Heating mode tests	DB 20°C - WB 15°C	DB -7°C - WB -8°C
(4) Internal sound pressure measured in a semi-anechoic chamber at 2 m distance.		
(5) Internal sound pressure measured according to rules EN 12012.		

\* SEER - seasonal coefficient of system cooling capacity.

\*\* SCOP - seasonal coefficient of system cooling capacity.



# PORTABLE AIR CONDITIONER



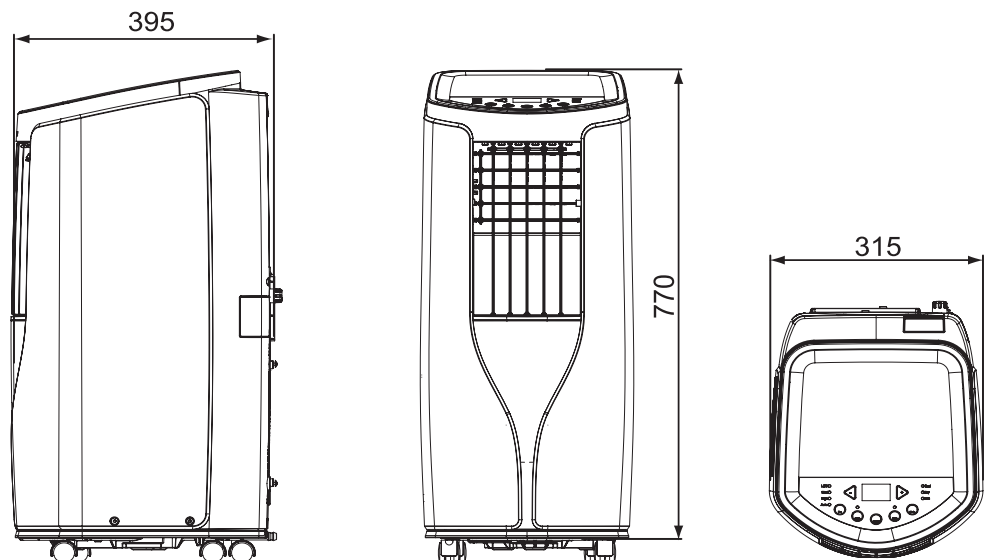
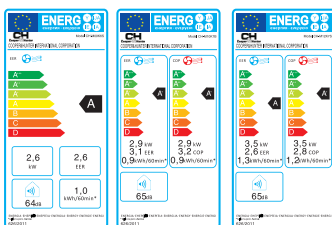
CH-M09K6S  
CH-M10K7S  
CH-M12K7S



- ▶ Increased life cycle;
- ▶ Noise low level;
- ▶ Highest class of energy efficiency A
- ▶ Compact Hi-Tech design;
- ▶ Indication of current time on the remote control.
- ▶ Antibacterial coating

Model			CH-M09K6S	CH-M10K7S	CH-M12K7S
Capacity	Cooling	kW	2,64	2,93	3,52
	Heating	kW	-	2,93	3,52
Consumed power	Cooling	kW	1,01	0,95	1,35
	Heating	kW	-	0,90	1,24

CH-M09K6S  
CH-M10K7S  
CH-M12K7S



Model	Power supply	Refrigerant type	Energy performance EER (Cooling)	Energy performance (heat)	Air flow	Sound pressure level
	V/Hz/Ph		kW/kW	kW/kW	m <sup>3</sup> /h	min/ave/max) dB (A)
CH-M09K6S	~220-240 V/50 Hz/1 Ph	R32	2,62	-	330/300/270	46/48/51
CH-M10K7B/S	~220-240 V/50 Hz/1 Ph	R32	3,1	3,2	360/330/300	46/48/51
CH-M12K7S	~220-240 V/50 Hz/1 Ph	R410A	2,61	2,85	360/330/300	47/49/51

\* SEER - seasonal coefficient of system cooling capacity.  
\*\* SCOP - seasonal coefficient of system cooling capacity.

# MULTY SPLIT AIR CONDITIONING SYSTEM *INVERTER*

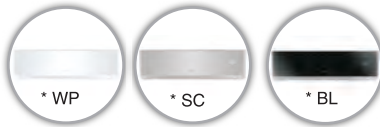
## NORDIC MULTI LIGHT SERIES



The outdoor units have the production capacity from 14 000 to 42 000 BTU

Model		CHML-U14RK2	CHML-U18RK2	CHML-U21RK3	CHML-U24RK4	CHML-U28RK4	CHML-U36RK4	CHML-U42RK5	
Number of the connected indoor units		1-2	1-2	2-3	2-3	2-4	2-4	2-5	
Capacity	Cooling	kW	4.1	5.2	6.1	7.1	8.0	10.5	12.0
	Heating	kW	4.4	5.4	6.5	8.5	9.5	12.0	12.0
Electric power supply		~220-240 V/50 Hz/1 Ph							
Air flow	m <sup>3</sup> /h	2600	2600	3800	3800	3800	5500	5500	
Sound-pressure level	dB (A)	55	55	58	58	58	60	60	
Dimensions (width/depth/height)	mm	899x596x378	899x596x378	963x396x700	1001x427x790	1001x427x790	1087x1103x440	1087x1103x440	
Weight	kg	43/46	43/46	55/60	68/73	69/74	90/98	90/98	
Operational temperature	Cooling	°C						-5/+48	
	Heating	°C						-15/+27	
Pipeline maximum length (total for the system/till the one block)	m	20/10	20/10	60/20	60/20	70/20	75/25	75/25	
Maximum pipeline elevation difference (between indoor and outdoor/between indoor)	m	5	5	10	10	10	7.5	7.5	
Distance between the fastening bolts of the outdoor unit	mm	550	560	560	610	610	631	631	

# SUPREME



Model			CH-S09FTXAM2S-*(i)	CH-S12FTXAM2S-*(i)	CH-S18FTXAM2S-*(i)	CH-S24FTXAM2S-*(i)
Capacity	Cooling/Heating	kW	2.70/2.93	3.50/3.81	5.30/5.57	7.00/7.20
Air flow		m <sup>3</sup> /h	660/590/540/490/450/420/390	680/590/540/490/450/420/390	850/750/610/520/360	1250/1100/1000/950/900/850/750
Sound-pressure level		dB (A)	41/39/37/35/33/31/24	43/39/37/35/34/32/25	49/45/43/41/39/37/34	49/47/44/42/40/38/36
Dimensions (width/height/depth)		mm	865x210x290	865x210x290	996x225x301	1101x249x327
Weight		kg	10.5	11.0	15.5	16.5
Liquid pipeline diameter		mm/inch	6.35/1/4"	6.35/1/4"	6.35/1/4"	6.35/1/4"
Gas pipeline diameter		mm/inch	9.53/3/8"	9.53/3/8"	12.7/1/2"	15.88/5/8"

# VERITAS



Model			CHML-S09FTXQ-NG(i)	CH-S12FTXQ(i)	CH-S18FTXQ(i)	CH-S24FTXQ(i)
Capacity	Cooling/Heating	kW	2.50/2.80	3.20/3.40	4.60/5.00	6.70/7.25
Air flow		m <sup>3</sup> /h	480/370/320/210	560/480/410/290	850/720/610/520	1150/1050/950/850
Sound-pressure level		dB (A)	40/36/34/29	42/37/34/28	45/41/37/33	48/45/42/39
Dimensions (width/height/depth)		mm	790x200x275	790x200x275	970x224x300	1078x246x325
Weight		kg	9.0	9.0	13.5	17.0
Liquid pipeline diameter		mm/inch	6.35/1/4"	6.35/1/4"	6.35/1/4"	6.35/1/4"
Gas pipeline diameter		mm/inch	9.53/3/8"	9.53/3/8"	9.53/3/8"	15.88/5/8"

# ALPHA NG



Model			CH-S07FTXE(i)	CH-S09FTXE-NG(i)	CH-S12FTXE-NG(i)	CH-S018FTXE-NG(i)
Capacity	Cooling/Heating	kW	2.1/2.6	2.6/2.8	3.2/3.5	4.6/5.2
Air flow		m <sup>3</sup> /h	500	560	560	850
Sound-pressure level		dB (A)	38	38	38	44
Dimensions (width/height/depth)		mm	790x200x275	790x275x200	790x275x200	970x300x224
Weight		kg	8.5	9	9	13.5
Liquid pipeline diameter		mm/inch	6.35/1/4"	6.35/1/4"	6.35/1/4"	6.35/1/4"
Gas pipeline diameter		mm/inch	9.53/3/8"	9.53/3/8"	9.53/3/8"	9.53/3/8"



## Console type units

Model			CHML-1K09RK	CHML-1K12RK	CHML-1K18RK
Capacity	Cooling/Heating	kW	2.7/2.8	3.5/3.75	5.2/5.33
Air flow		m <sup>3</sup> /h	480	550	650
Sound-pressure level		dB (A)	34	35	41
Dimensions (width/depth/height)		mm	700x600x215	700x600x215	700x600x215
Weight		kg	15	15	15
Liquid pipeline diameter		mm/inch	6.35/1/4"	6.35/1/4"	6.35/1/4"
Gas pipeline diameter		mm/inch	9.53/3/8"	9.53/3/8"	9.53/3/8"

\* without Wi-Fi

## Cassette type units



Model			CHML-1C12RK	CHML-1C18RK	CHML-1C24RK
Capacity	Cooling/Heating	kW	3.5/4.0	4.5/5.0	7.1/8.0
Air flow		m <sup>3</sup> /h	650/560/520/450	710/670/590/450	1280/1220/1100/880
Sound-pressure level		dB (A)	44/41/38/34	47/45/41/35	47/45/41/36
Dimensions (width/depth/height)	Indoor unit	mm	596x596x240	596x596x240	596x596x240
	Panel	mm	670x670	670x670	670x670
Weight (cassette/panel)		kg	20	20	26
Liquid pipeline diameter		mm/inch	6.35/1/4"	6.35/1/4"	9.53/3/8"
Gas pipeline diameter		mm/inch	9.53/3/8"	12.7/1/2"	15.88/5/8"

















## Duct type units



Model			CHML-ID09RK	CHML-ID12RK	CHML-ID18RK	CHML-ID21RK	CHML-ID24RK
Capacity	Cooling/Heating	kW	2.5/2.8	3.5/3.85	5.0/5.5	6.0/6.6	7.1/8.0
Air flow		m <sup>3</sup> /h	450/350/280	550/400/300	700/600/500	1000/750/550	1000/750/550
Sound-pressure level		dB (A)	37/34/31/47/41	39/35/32/49/42	41/33/51/43	42/34/52/44	42/34/52/44
Dimensions (width/depth/height)		mm	700x615x200	700x615x200	900x615x200	1100x615x200	1100x615x200
Weight		kg	21	22	26	30	30
Liquid pipeline diameter		mm/inch	6.35/1/4"	6.35/1/4"	6.35/1/4"	9.53/3/8"	9.53/3/8"
Gas pipeline diameter		mm/inch	9.53/3/8"	9.53/3/8"	12.7/1/2"	15.88/5/8"	15.88/5/8"




## INDOOR UNIT DIMENSION TYPE


BTU	7 000	9 000	12 000	18 000	21 000	24 000
Wall-mounted Indoor Unit						
Console Indoor Unit						
Cassette Indoor Unit						
Duct Type Indoor Unit						

## OUTDOOR UNIT COMBINATIONS


### 8 COMBINATIONS

 CHML-U14RK2 (from 1 to 2)	One unit		Two units	
	7		7+7	7+9
9		7+12	9+9	
12		9+12		


### 10 COMBINATIONS

 CHML-U18RK2 (from 1 to 2)	One unit		Two units	
	7		7+7	7+18
9		7+9	9+9	
12		7+12	9+12	

### 18 COMBINATIONS

 CHML-U21RK3 (from 2 to 3)	Two units		Three units	
	7+7	7+9	7+7+7	7+7+9
7+12	7+18	7+7+12	7+9+9	
9+9	9+12	7+9+12	7+12+12	
9+18	12+12	9+9+9	9+9+12	
12+18		12+12+12		


23 COMBINATIONS



Two units		Three units		
7+7	7+9	7+7+7	7+7+9	7+7+12
7+12	7+18	7+7+18	7+9+9	7+9+12
9+9	9+12	7+9+18	7+12+12	9+9+9
9+18	12+12	9+9+12	9+9+18	9+12+12
12+18	18+18	12+12+12		

CHML-U24RK4 (from 2 to 3)


40 COMBINATIONS



Two units		Three units			Four units		
7+7	7+9	7+7+7	7+7+9	7+7+12	7+7+7+7	7+7+7+9	7+7+7+12
7+12	7+18	7+7+18	7+9+9	7+9+12	7+7+7+18	7+7+9+9	7+7+9+12
9+9	9+12	7+9+18	7+12+12	7+12+18	7+7+9+18	7+7+12+12	7+9+9+9
9+18	12+12	9+9+9	9+9+12	9+9+18	7+9+9+12	7+9+12+12	9+9+9+9
12+18	18+18	9+12+12	9+12+18	12+12+12	9+9+9+12	9+9+12+12	
		12+12+18					

CHML-U28NRK4 (from 2 to 4)


97 COMBINATIONS



Two units		Three units			Four units		
7+12	7+18	7+7+7	7+7+9	7+7+12	7+7+7+7	7+7+7+9	7+7+7+12
7+21	7+24	7+7+18	7+7+21	7+7+24	7+7+7+18	7+7+7+21	7+7+7+24
9+9	9+12	7+9+9	7+9+12	7+9+18	7+7+9+9	7+7+9+12	7+7+9+18
9+18	9+21	7+9+21	7+9+24	7+12+12	7+7+9+21	7+7+9+24	7+7+12+12
9+24	12+12	7+12+18	7+12+21	7+12+24	7+7+12+18	7+7+12+21	7+7+18+18
12+18	12+21	7+18+18	7+18+21	7+18+24	7+9+9+9	7+9+9+12	7+7+12+24
12+24	18+18	7+21+21	9+9+9	9+9+12	7+9+9+21	7+9+9+24	7+9+9+18
18+21	18+24	9+9+18	9+9+21	9+9+24	7+9+12+18	7+9+12+21	7+9+12+12
21+21	21+24	9+12+12	9+12+18	9+12+21	7+12+12+12	7+12+12+18	7+9+18+18
24+24		9+12+24	9+18+18	9+18+21	9+9+9+12	9+9+9+18	9+9+9+9
		9+18+24	9+21+21	12+12+12	9+9+9+24	9+9+12+12	9+9+9+21
		12+12+18	12+12+21	12+12+24	9+9+12+21	9+9+18+18	9+9+12+18
		12+18+18	12+18+21	18+18+18	9+12+12+18	12+12+12+12	9+12+12+12

CHML-U36RK4 (from 2 to 4)

171 COMBINATIONS



Two units		Three units			Four units				Five units			
7+18	7+21	7+7+7	7+7+9	7+7+12	7+7+7+7	7+7+7+9	7+7+7+12	7+7+7+18	7+7+7+7+7	7+7+7+7+9	7+7+7+7+12	7+7+7+7+18
7+24	9+12	7+7+18	7+7+21	7+7+24	7+7+7+21	7+7+7+24	7+7+9+9	7+7+9+12	7+7+7+7+21	7+7+7+7+24	7+7+7+9+9	7+7+7+9+12
9+18	9+21	7+9+9	7+9+12	7+9+18	7+7+9+18	7+7+9+21	7+7+9+24	7+7+12+12	7+7+7+9+18	7+7+7+9+21	7+7+7+9+24	7+7+7+12+12
9+24	12+12	7+9+21	7+9+24	7+12+12	7+7+12+18	7+7+12+21	7+7+12+24	7+7+18+18	7+7+7+12+18	7+7+7+12+21	7+7+9+9+12	7+9+9+9+9
12+18	12+21	7+12+18	7+12+21	7+12+24	7+7+18+21	7+7+18+24	7+7+21+21	7+7+21+24	7+7+7+18+21	7+7+9+9+9	7+7+9+12+12	7+7+9+9+18
12+24	18+18	7+18+18	7+18+21	7+18+24	7+9+9+9	7+9+9+12	7+9+9+18	7+9+9+21	7+7+9+9+21	7+9+9+9+18	7+9+9+9+21	7+7+9+12+18
18+21	18+24	7+21+21	7+21+24	7+24+24	7+9+9+24	7+9+12+12	7+9+12+18	7+9+12+21	7+7+9+12+21	7+9+9+12+18	7+9+12+12+18	7+7+12+12+12
21+21	21+24	9+9+9	9+9+12	9+9+18	7+9+12+24	7+9+18+18	7+9+18+21	7+9+18+24	7+7+12+12+18	7+9+12+12+12	9+9+9+9+9	7+9+9+9+24
24+24		9+9+21	9+9+24	9+12+12	7+9+21+21	7+9+21+24	7+12+12+12	7+12+12+18	7+9+9+9+12			7+9+12+12+21
		9+12+18	9+12+21	9+12+24	7+12+12+21	7+12+12+24	7+12+18+18	7+12+18+21	7+9+9+12+12			9+9+9+9+12
		9+18+18	9+18+21	9+18+24	7+12+18+24	7+12+21+21	7+18+18+18	9+9+9+9	7+9+9+18+18			9+9+9+12+12
		9+21+21	9+21+24	9+24+24	9+9+9+12	9+9+9+18	9+9+9+21	9+9+9+24	7+12+12+12+12			9+9+12+12+12
		12+12+12	12+12+18	12+12+21	9+9+12+12	9+9+12+18	9+9+12+21	9+9+12+24	9+9+9+9+18			
		12+12+24	12+18+18	12+18+21	9+9+18+18	9+9+18+21	9+12+12+21	12+12+12+18				
		12+18+24	12+21+21	12+21+24	9+12+12+12	9+12+12+18	12+12+12+12	12+12+18+21				
		12+24+24	18+18+18	18+18+21	9+12+18+18	9+12+18+21	12+12+18+18					
		18+18+24	18+21+21				12+12+18+18					

CHML-U42RK5 (from 3 to 5)

# WDP7

## PORTABLE DEHUMIDIFIER



- ▶ Drying modes: "smart", "constant", "quiet", "dry";
- ▶ LED–display, indicating set/current moisture;
- ▶ Three speeds of the fan: high, average, low;
- ▶ Air flow direction control;
- ▶ Clothes drying function;
- ▶ Moisture range control is within 30% ~ 80%;
- ▶ Condensate discharge either into a container or through a hose;
- ▶ Timer;
- ▶ Filter cleaning indicator. Reming to clean the filter after 250 hours of operation;
- ▶ Full container indication and sound signalization, when the container is full;
- ▶ Automatic operation stop, when the container is full;
- ▶ Automatic defrosting mode;
- ▶ Autorestart with all settings saved;
- ▶ Convenient movement (wheels);
- ▶ Air flow direction control.

		CH-D008WDP7-20LD	CH-D016WDP7-40LD
Electric supply	V/Hz	~220-240V/50Hz	
Capacity	l/day	20	40
Consumed power	W	360	670
Temperature range	°C	+5/+32	+5/+32
Air flow	m³/h	130/115/105	230/195/170
Container volume	l	4	7
Sound pressure level	dB(A)	43/41/39	46/43/41
Weight	kg	15,5	22,5
Overall dimensions (WxHxD)	mm	363*577*245	396*625*286
Refrigerant type		R290	R290

# WDN7

## PORTABLE DEHUMIDIFIER

- ▶ Drying modes: "smart", "constant", "quiet", "dry";
- ▶ LED–display, indicating set/current moisture;
- ▶ Three speeds of the fan: high, average, low;
- ▶ Moisture range control is within 30% ~ 80%;
- ▶ Condensate discharge either into a container or through a hose;
- ▶ Timer;
- ▶ Filter cleaning indicator. Reming to clean the filter after 250 hours of operation;
- ▶ Full container indication and sound signalization, when the container is full;
- ▶ Automatic operation stop, when the container is full;
- ▶ Automatic defrosting mode;
- ▶ Autorestart with all settings saved;
- ▶ Air flow direction control;
- ▶ Convenient movement (wheels).



		CH-D008WDN7-20LD	CH-D016WDN7-40LD
Electric supply	V/Hz	~220-240V/50Hz	
Capacity	l/day	20	40
Consumed power	W	360	670
Temperature range	°C	+5/+32	+5/+32
Air flow	m³/h	130/115/105	230/195/170
Container volume	l	4	7
Sound pressure level	dB(A)	43/41/39	46/43/41
Weight	kg	15	22
Overall dimensions (WxHxD)	mm	367*582*246	464*670*351
Refrigerant type		R290	R290



# WD8

## PORTABLE DEHUMIDIFIER

- ▶ Electronic control;
- ▶ 4 operation modes: continuous, comfortable, set, clothes drying;
- ▶ Moisture range control is within 40% ~ 70%;
- ▶ Two fan speeds: maximal and minimal.
- ▶ Condensate discharge either into a container or through a hose;
- ▶ Timer will switch on/off the device in 24 h;
- ▶ Filter cleaning indicator. Reming to clean the filter after 250 hours of operation;
- ▶ Continuous operation indication;
- ▶ LED–display, indicating set/current moisture;
- ▶ Full container indication and sound signalization, when the container is full;
- ▶ Automatic operation stops, when the container is full;
- ▶ Convenient movement (wheels);
- ▶ Ionized air for model CH–D009WD8–20LD only.



		CH-D005WD8-12LD	CH-D009WD8-20LD
Electric supply	V/Hz	~220-240V/50Hz	
Capacity	l/day	12	20
Consumed power	W	190	300
Temperature range	°C	+5/ +35	+5 /+35
Air flow	m³/h	95/110	130/160
Container volume	l	2,5	3
Sound pressure level	dB(A)	45	46
Weight	kg	10,5	10,5
Overall dimensions (WxHxD)	mm	300*206*472	320*214*537
Refrigerant type		R134A	R134A

# WD

## SEMI-INDUSTRIAL DEHUMIDIFIER

- ▶ Color LC display;
- ▶ Equipped with rotor compressors Hitachi, Toshiba. Operates quietly and efficiently;
- ▶ Dehumidifier are equipped with a remote control;
- ▶ Autorestart function. Automatically switches on the drying mode set prior to dehumidifier switching off;
- ▶ Automatic defrost function.
- ▶ 4 installation methods: on wall, legs, wheels (furniture is included), and concealed installation;
- ▶ Drying range from 25% to 80% at the temperature from +10 to +42;
- ▶ Noise absorbing body and compressor sound insulation;
- ▶ Vertical and horizontal air flow;
- ▶ Humid air intake by the frontal panel;



		CH-D025WD	CH-D042WD	CH-D060WD	CH-D085WD	CH-D105WD	CH-D155WD
Electric supply	V/Hz	~220-240V/50Hz	~220-240V/50Hz	~220-240V/50Hz	~220-240V/50Hz	~380-415V/50Hz/3phases	~380-415V/50Hz/3phases
Capacity	l/h	2,5	4,2	6,0	8,5	10,5	15,5
Capacity	l/day	60	108,8	144	204	252	372
Heat power	W	1600	2200	3000	4500	5500	7200
Consumed power	W	920	1260	1685	2680	2680	3350
Nominal current	A	4,3	6	7,8	12,9	12,9	15,5
Air consumption	m³/h	450	500	750	1250	1250	1500
Refrigerant volume, R407C	g	550	550	1100	1800	1800	3100
Sound pressure level	dB(A)	46	48	52	60	60	62
Device weight	kg	50	55	95	105	105	115
Overall dimensions (WxDxH)	mm	890x255x750	890x255x750	1120x315x900	1120x385x900	1360x385x900	1360x385x900
Refrigerant type		R407C					









# Designation

 RoHS certificate	 Intelligent defrost system	 Defends your home from frizzing: function "+8 degrees".
 CE certificate	 LED-Display of indoor unit	 GREEN-FIN – anticorrosive cover of the heat exchangers
 Energy saving specification	 Multi speed fan	 ECO-FRESH – electret dust filter
 Energy Class capacity type	 Type of refrigerant	 CH SMART-ION Filter – new generation technology for complete purification of air
 Timer	 Sleep mode	 Extended warranty
 Self-diagnostics system	 Noise Analysis Technology – noiseless operation	 The unique technology of CH 7-SKY means the seven air purification steps
 Auto-protection	 The Wi-Fi function module to manage the air conditioner via a Smartphone/Tablet (OS: Android, iOS)	 Step-less Fan Control - controlled by step-less regulation technology, the fan speed be adjust 1% to 100% between the highest and lowest speed.
 Automatic restart	 The evaporator of indoor unit will be blown after the unit is stopped to avoid mould	 Two-stage Compressor
 Swing mode – wide angle louvers	 Backlight of indoor unit display	 EVI-scroll technology
 Dry mode – dehumidifying	 “I Feel” The controller will automatically adjust the indoor temperature according to the temperature detected by the remote	
 Inverter technology		
 High quality Plasma air cleaner: unique removing system of bacteria, viruses, foulodors, and allergens from air		



[cooperandhunter.com](http://cooperandhunter.com)

