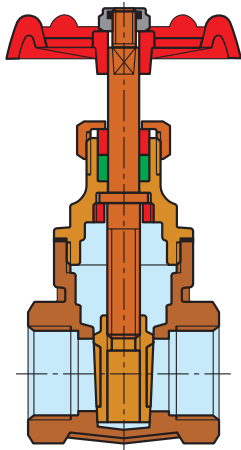


GATE VALVES



valve
cimberio[®]
technological solutions

Cimberio gate valves



EN ISO
9001:2000

Body 1/4-4"	Brass	EN 12165 CW617 N
Body 5"-6"	Bronze	EN 1982 CC491K
Bonnet	Brass	EN 12165 CW617 N
Stem	Brass	EN 12164 CW617 N
Wedge 1/4-4"	Brass	EN 12165 CW617 N
Wedge 5"-6"	Bronze	EN 1982 CC491K
Stem ring	Brass	EN 12164 CW617 N
Packing	NA 1100	
Gland nut	Brass	EN 12164 CW617 N
Gland	Brass	EN 12164 CW617 N
Gland packing	AF 15/MA	
Nut	Self locking type	
Handwheel	Aluminium EN AB 46100	

SERVICE RECOMMENDATIONS:

The CIMBERIO gate valves are manufactured according to the EN 12288/B:2003 (BS 5154/B) PN20-PN16 and Quality Management System EN ISO 9001:2000.

The CIMBERIO gate valves can be used for heating plants, sanitary systems, plumbing services, waterworks, gasoline networks, pneumatic systems and steam, where no water hammer is possible and within the pressure/temperature ratings shown on the data sheets.

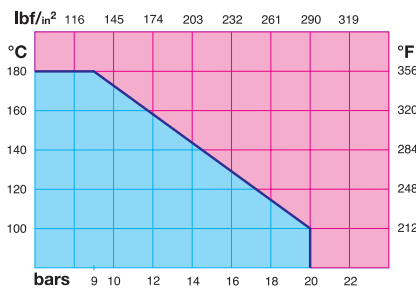
Brass alloy according to EN 12164-12165-CW617N-DIN 50930-6 norms

Cu %	Pb %	Sn %	Ni %	Fe %	Al %	As %	Mn %	Others %	Zn %
57-59	1,6-2,2	Max 0,3	Max 0,2	Max 0,3	Max 0,8	Max 0,1	Max 0,1	Max 0,25	Rem.

Brass alloy chemical composition according to EN 12164-12165-CW617N - DIN 50930-6

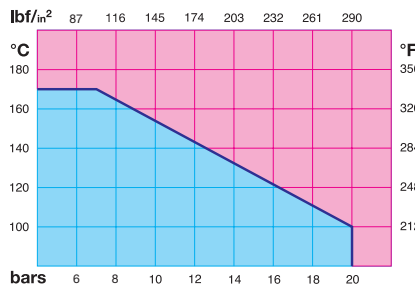
PRESSURE/TEMPERATURE RATINGS

cim 70 BS - 70 BSCR



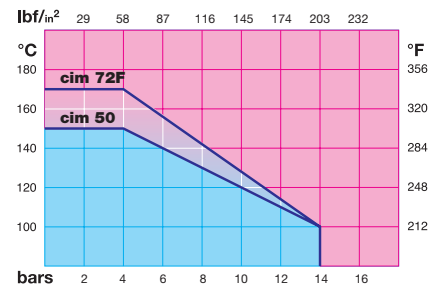
20 bar from -10 up to 100°C
9 bar at 180°C

cim 70 B - 70 WOG



20 bar from -10 up to 100°C
7 bar at 170°C

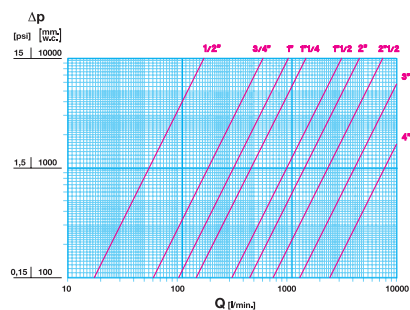
cim 50 - 72 F



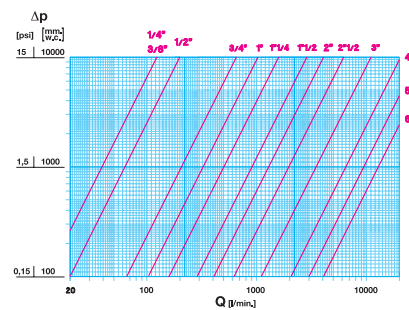
16 bar from -10 up to 100°C
7 bar at 170°C

FLOW AND PRESSURE DROP

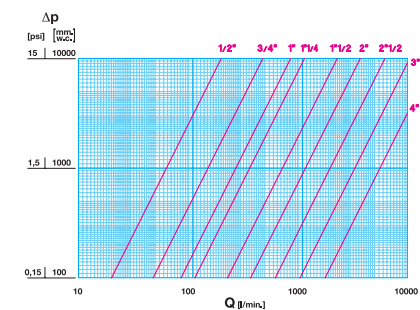
cim 70 BS - 70 BSCR



cim 70 B - 70 WOG - 72 F



cim 50 - 58



cim 70 BS

GATE VALVE - EN 12288/B (BS 5154/B) TYPE -  KM LICENCE NO.06254 - PN 20



DN	1/4	3/8	1/2	3/4	1"	1 1/4"	1 1/2"	2"	2 1/2"	3"	4"
Box			10	5	5	5	4	2	2	2	1
Cart.			100	50	50	30	24	16	8	4	2



cim 70 BSL

cim 70 BSCR

GATE VALVE IN DZR BRASS "CR" ALLOY - EN 12288/B TYPE -  KM LIC.NO.06254  Q.A.S. LIC. NO.1582 - PN 20



DN	1/4	3/8	1/2	3/4	1"	1 1/4"	1 1/2"	2"	2 1/2"	3"	4"
Box			10	5	5	5	4	2			
Cart.			100	50	50	30	24	16			



cim 70 BCRL

cim 70 B

GATE VALVE STANDARD TYPE - PN 20

PN 10



DN	1/4	3/8	1/2	3/4	1"	1 1/4"	1 1/2"	2"	2 1/2"	3"	4"	5"	6"
Box	50	50	35	25	16	10	8	5	2	2	2	1	
Cart.	100	100	140	100	64	40	32	20	12	8	4	2	2

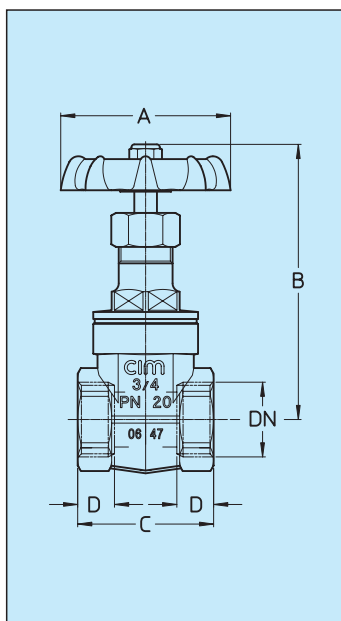
cim 70 WOG

GATE VALVE STANDARD TYPE - NPT THREAD - 250 WOG

150 WOG



DN	1/4	3/8	1/2	3/4	1"	1 1/4"	1 1/2"	2"	2 1/2"	3"	4"	5"	6"
Box	50	50	35	25	16	10	8	5	2	2	2	1	
Cart.	100	100	140	100	64	40	32	20	12	8	4	2	2



DN	1/4	3/8	1/2	3/4	1"	1 1/4"	1 1/2"	2"	2 1/2"	3"	4"	5"	6"
Cim 70BS Grms.	-	-	265	390	535	810	1150	1805	3520	5330	8960	-	-
A	-	-	55	60	65	75	80	90	120	140	175	-	-
B	-	-	80	97	108	122	142	165,5	212	246	295,5	-	-
C	-	-	44	48	55	61	65	71	92	98	107	-	-
D	-	-	12	13	15	16	18	19	23	26	28	-	-
Cim 70BSCR Grms.	-	-	295	445	615	925	1295	1895	-	-	-	-	-
A	-	-	55	60	65	75	80	90	-	-	-	-	-
B	-	-	80	97	108	121,5	142	165,5	-	-	-	-	-
C	-	-	54	59	66	74	75	86	-	-	-	-	-
D	-	-	15	16,3	19,1	21,4	21,4	25,7	-	-	-	-	-
Cim 70B Grms.	190	180	245	375	500	750	990	1430	2440	3500	6050	10100	14050
Cim 70WOG													
A	50	50	55	60	65	75	80	90	110	120	140	175	175
B	71	71	80	93,5	103	120	134,5	149	185	208,5	263	318	358
C	40	40	44	48	54	60	64	72	80	85	97	112	122
D	11	11	12	14	15	17	17	21	21	22	23,5	28	26



cim 50

GATE VALVE COMPACT TYPE - PN 16



DN	1/2	3/4	1"	1 1/4"	1 1/2"	2"	2 1/2"	3"	4"
Box	40	35	25	16	10	10	2	2	2
Cart.	160	140	100	64	40	20	12	8	4

cim 58

GATE VALVE STANDARD TYPE FOR COPPER PIPE - PN 16



DN	15x15	18x18	22x22	28x28	35x35	42x42	54x54
Box	35	35	25	16	10	8	4
Cart.	140	140	100	64	40	32	16

cim 70BSNCR

GATE VALVE IN DZR BRASS "CR" ALLOY FOR UNDERGROUND INTERCEPTION STAINLESS STEEL



DN	3/4	1"	1 1/4"
Box	20	15	10
Cart.	80	60	40

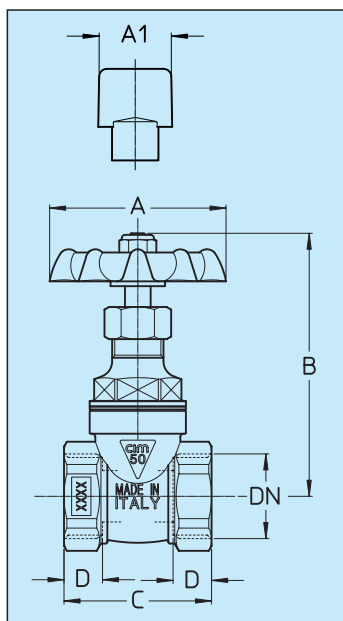
cim 71

GATE VALVE TO PANEL MOUNT WITH TWO PIECES CAP F.F. - PN 20 COPPER PIPE - PN 16

cim 71/58



DN	1/2	3/4	1"
DN	15 x 15	18 x 18	22 x 22

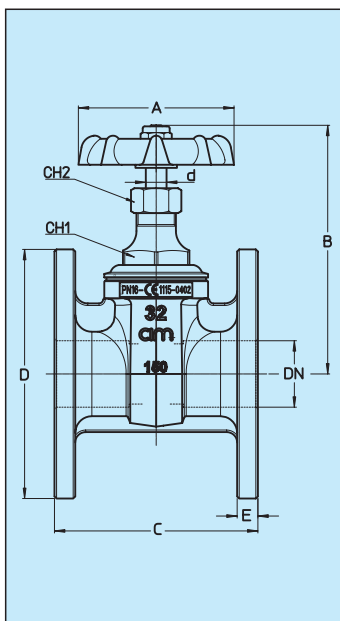


DN	1/2	3/4	1"	1 1/4"	1 1/2"	2"	2 1/2"	3"	4"
Cim 50									
Grms.	215	255	355	500	690	1100	2160	3010	5060
A	50	55	60	65	65	80	110	110	120
B	79	80	96	100	114	135	180	200	240
C	42	46	50	55	60	67	69	77	91
D	12	12	14	16	17	18	16	18	20
Cim 71									
Grms.	335	525	640	-	-	-	-	-	-
A	60	60	60	-	-	-	-	-	-
B	37	39	44	-	-	-	-	-	-
C	44	48	54	-	-	-	-	-	-
D	12	14	15	-	-	-	-	-	-
Cim 70BSNCR									
Grms.	-	475	620	985	-	-	-	-	-
A1	-	28x5	28x5	30x6	-	-	-	-	-
B	-	117	127,5	143,5	-	-	-	-	-
C	-	59	66	74	-	-	-	-	-
D	-	16,3	19,1	21,4	-	-	-	-	-
Cim 58									
DN	15x15	18x18	22x22	28x28	35x35	42x42	54x54	-	-
Grms.	235	255	360	475	725	965	1400	-	-
A	55	55	60	65	75	80	90	-	-
B	80	82	93,5	103,5	120	134	148,5	-	-
C	50	54	54	65	73	78	92,5	-	-
D	15	17	16,5	19	20	23	29,5	-	-
Cim 71/58									
Grms.	315	360	480	525	-	-	-	-	-
A	60	60	60	60	-	-	-	-	-
B	85	86,5	84,5	87,5	-	-	-	-	-
C	50	54	54	65	-	-	-	-	-
D	15	17	16,5	19	-	-	-	-	-





DN	1/2	3/4	1"	1 1/4"	1 1/2"	2"	2 1/4"	2 1/2"	3"	4"	5"	6"
mm.	15	20	25	32	40	50	60	70	80	100	125	150



DN	1/2	3/4	1"	1 1/4"	1 1/2"	2"	2 1/4"	2 1/2"	3"	4"	5"	6"
Ø mm.	15	20	25	32	40	50	60	70	80	100	125	150
Grms.	1150	1660	2440	3180	4170	5130	6720	6540	10130	15060	22540	29800
A	55	60	65	75	80	90	90	110	120	140	175	175
B	82,5	95	102	120	134	150	173	185	208	250	314	360
C	69	85	89	98	113	125	141	153,5	158	169,5	191	210
D	95	105	119	140	147	165	175	183,5	199	229	260	290
E	8,5	9	9,5	10	10,5	10	12	12	12	15	16	18
CH1	24	30	32	32	39	47	49	55	66	84	114	136
CH2	18	18	18	21	23	25	25	30	30	37	45	50
d	8	8	8	10	10	12	12	13	14	17	19	21

