

Instruction manual Руководство по эксплуатации

Электрическая
мойка (очиститель)
воздуха

Electric air
washer (purifier)

Модели/Models:

TAW H3 D (W)
TAW H3 D (VT)
TAW H3 D (BL)

Цвета \ Colors *

(W) - белый \ white
(VT) - фиолетовый \ violet
(BL) - чёрный \ black

**Руководство по эксплуатации включает в себя
гарантийный талон**

Outlook of devices, aslo colour scores can be revised without any special advance notices.

Производитель вправе менять внешний вид прибора и цветовую гамму прибора без специального уведомления.

* - Указано в дополнительной маркировке модели \ Specified in the additional marks of modes name

* - Цвета для всего изделия и/или ряда его частей \ The colors for the whole unit and/or its parts

CONTENTS

1. Important information	2
2. Safety measures	2
3. Technical characteristics	3
4. Description of the unit	4
5. Scope of delivery	5
6. Filling the tank with water	5
7. Operation of the unit	5
8. Cleaning and maintenance of the unit	5
9. Transportation and storage	6
10. Troubleshooting	6
11. Disposal	6

Dear customer!

Thank you for your good choice and purchase of a TIMBERK humidifier. It will serve you for a long time!

1. IMPORTANT INFORMATION

To improve product quality, its design, scope of delivery or manufacturing process can be revised without advance notice.

The text and digital notations in this manual may have misprints.

Should you have any questions on the functioning and operation of the device, please refer to the seller or a specialized service center to receive clarification.

There is a label on the product, indicating all necessary technical data and other useful information regarding the device.

Use the device only for purposes, stated in this manual.

The air washer is intended to automatically maintain the preset level of relative humidity indoors and for air purification. Comfortable conditions are achieved at relative humidity ranging from 40 to 60%.

Insufficient air humidity results in drying of mucous membranes, which in its turn is the reason for decrease in immunity, headache, lip cracking, «sandpaper» in the eyes, it also enables infection spreading and respiratory tract diseases, causes fatigue, results in increased eye fatigue and worsening of attention focusing, it has a negative effect on the condition of pets and house plants, causes increase of dust generation and, increase of electrostatic charge of synthetic fabrics, as well as carpets and synthetic floor coatings, it causes damage of wooden furniture and especially parquet floors, it negatively affects tuning of musical instruments.

2. SAFETY MEASURES

Read all instructions carefully prior to using the device for the first time. To avoid electric shock or injury when using this device, always observe key safety precautions including the following ones:

- Make sure that the operating voltage, specified in the device's passport,

matches the voltage of your electric mains.

- Prior to using the device, read operation guidelines carefully.
- The device must be out of reach of children. Do not allow children to play with the device. Never leave a child without supervision near the operating device.
- Do not use the device with a damaged power cord or a plug. Do not use the device if it was damaged or fell down. Return it for inspection, adjustment or repairs to a service center.
- The device must be installed on a hard, flat and horizontal surface.
- Install the device in such a place, where the risk of contacting or hitting it is minimal.
- The device needs regular cleaning. See operation manual section «Recommendations on maintenance of the device».
- Do not submerge the device in water; use only clean damp cloth to clean its case. Do not use abrasive detergents or solvents for cleaning.
- Use the device only fully assembled.
- Always disconnect the device from the mains prior to moving it and filling its tank, draining water, cleaning, maintenance, assembly-disassembly of particular units or if you do not use the device for a long time.
- Do not pull the cord to disconnect the device from a socket. To disconnect the device from the mains take its plug directly. Do not disconnect the device from the mains with wet hands.
- Do not allow foreign objects get into the device, it may result in mechanical damages and short circuit. Do not block air inlet/outlet holes.
- Never lay the cord under carpets, as well as do not put it on sharp or hot things. Make sure the cord does not bend and no one walks on it.
- Electrical appliances must be repaired only by authorized servicing personnel. Improper or incompetent repairs may lead to accidents and injuries.
- If the power cord is damaged then it must be immediately replaced by a new one by competent personnel to avoid electric shock and fire.
- The device is not intended for use by persons (including children) with reduced physical, sensory or mental capabilities, or a lack of experience and knowledge, unless they have been given supervision or instruction concerning the use of the device by an individual responsible for their safety.
- Do not use the device outdoors.
- Do not use the device for purposes it is not intended for.
- This device is intended only for domestic use.
- Do not use the device in a room where there are combustible gases and

evaporations.

- Do not allow rain drops contact the device, do not use it in excessively humid rooms (bathroom, laundry room, sauna, etc.).
- The device must be in a vertical position.
- Do not sit, stand or put heavy things on the device.
- Using such additives for water as for example essential oils, aromatic fluids, detergents, etc., damage the material of the tank and the device on the whole. Any use of such additives relieves the manufacturer/seller from any warranty obligations.

3. TECHNICAL CHARACTERISTICS

Table 1

Discription	Unit	Value
Capacity of humidity	ml/h	150
Power supply	V/Hz	220-240-/50
Water tank	l	2.2
Rated power consumption	W	15
Rated current	A	0,08
Protection class	-	IPX0
Electrical protection class	-	II
Device dimensions	mm	250x250x330
Net weight	kg	3,5
Service area	m ²	20
Air flow	m ³ /hr	120

The manufacturer reserves the right to change the set-list of the device (including liquid and powder components) for different supplies without prior notice. The changes either in no way influence the basic technical parameters of the device or may improve them, and also not violate the legislation or quality standards of the countries of manufacture, transit and selling.

The changes in the set-list may result in changing of the weight and dimensions of the device, but not more than by +/- 5-20% (depending on the product category)

4. DESCRIPTION OF THE UNIT

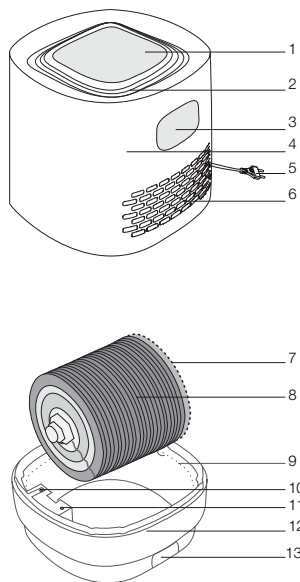


Fig. 1

- | | |
|------------------------|-------------------------|
| 1. Control panel | 9. Water level mark |
| 2. Purified air outlet | 10. Water level trailer |
| 3. Device case handle | 11. Case trailer |
| 4. Device case | 12. Water tray |
| 5. Power cord | 13. Tray handle |
| 6. Air inlet | |
| 7. Drum wheel | |
| 8. Drum discs | |

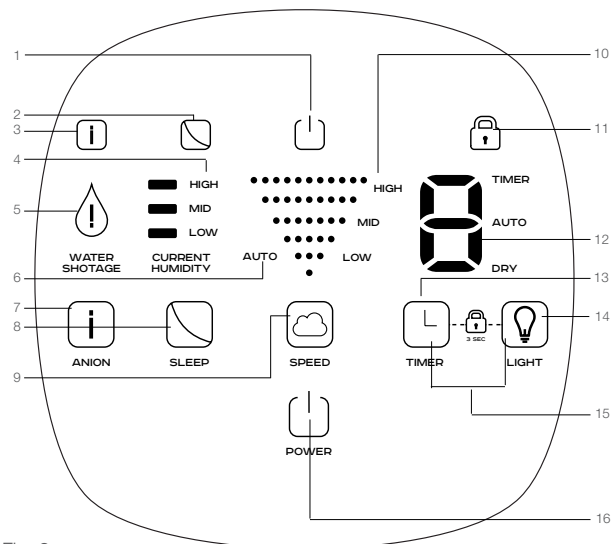


Fig. 2

- | | |
|--------------------------------------|---------------------------------------|
| 1. Power indicator | 10. Selected operation mode indicator |
| 2. Night mode indicator | 11. Button lock indicator |
| 3. Ionization indicator | 12. Timer indicator |
| 4. Current humidity level indicator | 13. Timer ON and setting button |
| 5. Low water level indicator | 14. Lighting mode activation button |
| 6. Automatic mode indicator | 15. Button lock |
| 7. Ionization activation button | 16. On / Off button |
| 8. Night mode button | |
| 9. Performance mode selection button | |

Directions for use

Prior to the first use, especially if outdoor temperature is below zero, let the device heat up at room temperature for 1 hour. It is recommended to use the device at temperature ranging from 5°C to 40°C, and relative humidity not more than 80%. Use only clean water with temperature not more than 30°C. Prior to a switching the device off for a long time (more than 2 days), drain water from the tray and dry the discs block. Read instructions how to clean the discs block and the tray in section «Recommendations on maintenance of the device».

CONTROL OF THE DEVICE

- **POWER on/off button (16).**

Press the «POWER» button (16) to switch the device on. Pressing this button again will stop the device and switch it to the standby mode.

- **«SPEED» performance mode selection button (9).**

Press the «SPEED» button (9) to select the performance mode. There are three main operation modes: LOW (minimal performance), MID (average performance) and HIGH (maximum performance), as well as the additional automatic mode «AUTO» (6) (see page 5 for description of the mode operation. When selecting a mode an indicator (10) will light up on the panel.

- **«ANION» ionization activation button (7).**

Press this button to activate the negative ion generator, the ionization indicator (3) will light up on the control panel.

- **«SLEEP» night mode button (8).**

Press the «SLEEP» button (8) to switch the device to the night mode (see page 4 for description of the mode operation).

- **«TIMER» button (13).**

By pressing the «TIMER» button (13) you can set a time interval to switch the device off ranging from 1 to 8 hours with a 1-hour increment. At that, the selected time (12) will be displayed on the control panel.

- **«LIGHT» lighting button (14).**

By pressing the «LIGHT» button (14) you can activate or deactivate the lighting function.

Lock button to prevent accidental pressing of buttons and ensure childproofing «TIMER» + «LIGHT» (15).

Press and simultaneously hold «TIMER» and «LIGHT» buttons (15) for about 3 seconds to lock / unlock control buttons to avoid accidental (erroneous) pressing of buttons. When activating this function, the button lock indicator (11) will be displayed.

- **Current humidity level indicator (4).**

Readings of the current humidity indicator may vary dynamically.

Approximate relation of readings: «LOW» – low humidity level, «MID» – average, «HIGH» – high.

- **Low water level indicator (5).**

When water level in the tray lowers to minimum, the low water level indicator (5) will light up. Along with that, several sound signals will be heard, notifying of water shortage, after that the device will be switched off.

5. SCOPE OF DELIVERY

1. Air washer – 1 pc.
2. Operation manual and Guarantee card – 1 pc.
3. Packing – 1 pc.

6. FILLING OF TANK WITH WATER

To pour water into the tray, take the device case handles, remove it by lifting upwards and move aside. Take the tray by handles with both hands (with a drum or without it), fill in water up to the mark. To avoid accidental falling or hitting, hold it with both hands. Move the filled tray to the supposed location of operation. Install the device case on the tray filled in with water so that the drum wheel coincides with the device gear.

7. OPERATION OF THE UNIT

Please note that trailers in the tray are located on the front side. Connect the device to the electric mains, press the «POWER» button, use buttons on the control panel to select the desired operation mode and time. You can find accurate description of the meanings of buttons in section «Control of the device». To switch the device off, press the «POWER» button. Disconnect the device from the electric mains. Please note that trailers in the tray are located on the front side.

Connect the device to the electric mains, press the «POWER» button, use buttons on the control panel to select the desired operation mode and time. You can find accurate description of the meanings of buttons in section «Control of the device».

To switch the device off, press the «POWER» button. Disconnect the device from the electric mains. The device must be installed not less than 10 cm from walls and heating radiators. Full access of air to the device increases its efficiency and performance.

Do not install the device on a soft carpet or carpet flooring.

Fill the tray with cold tap water up to the water level mark.

Fill the device only with cold water (not more than 30°C). Hot water may damage drum discs and other parts of the device. It is recommended to fill in treated (filtered) water. In this case cleaning of drum discs and the water tray can be carried out less frequently than using tap water.



NOTE:

In order to improve the performance of the humidifying device, you must use warm water, but not above 30°C. Salt deposits on the discs also helps improve the humidifying capacity, because salt create additional micro-structure of the disc surface, contributing to greater wettability. The higher the temperature of the air, the faster humidification.



NOTE:

All elements of the device are made of fragile material. Be careful, try not to hit them with foreign objects and not to drop them. Fill the water tray only with clean water without adding any aromatic or other substances! Otherwise, it may result in water leakage due to microcracking and cracking on the tank, as well as loss of its properties and damage to discs. When adding fresh water, always drain the remaining one that was used before.



IMPORTANT!

Dampening discs are capable of absorbing water impurities (calcium, lime, iron, etc.) during operation. Hence, discs need to be cleaned from mineral deposits once or twice a month, depending on water quality. See disc cleaning instructions in section «Recommendation on maintenance of the device».

8. CLEANING AND MAINTENANCE OF THE UNIT

Regular cleaning of the tray and discs block.

Dirt and all kinds of microorganisms accumulate in the tray during operation. Thus, the tray as well as the discs block need to be cleaned regularly. To clean them, use a soap solution and a soft cloth or a sponge. After cleaning, wash the tray and discs with running water. It is recommended to carry out such cleaning once a week.

Periodic cleaning of the tray and dampening discs.

In case of a severe contamination of the tray with lime deposits, remove the discs block, pour it with a citric acid solution at the rate of 1 tablespoon

9. TRANSPORTATION AND STORAGE

1. When transporting, any possible impacts and movements of the package inside a vehicle must be avoided.

2. Handling symbols on the unit's package must be strictly observed when transporting and storing it.

Temperature requirements*	Transportation and storage	-30°C to +50°C
Humidity requirements*		15% to 85% (no condensate)

We are researching new technologies and constantly improving the quality of our products. Specifications, design and scope of delivery may be changed without any prior notice.

* Products must be stored in dry, ventilated storages at the temperature not lower than -30°C

10. TROUBLESHOOTING

In case of emergencies resort to troubleshooting methods, given in tables. If you are unable to solve issues by means of mentioned methods, contact a service center. Life of the humidifier is 5 years.

Upon expiration of the humidifier it must be disposed in accordance with regulations, rules and by means, currently in force at a disposal station. In case of emergencies resort to troubleshooting methods, given in tables. If you are unable to solve issues by means of mentioned methods, contact a service center. Life of the humidifier is 5 years.

Upon expiration of the humidifier it must be disposed in accordance with regulations, rules and by means, currently in force at a disposal station.

Problem	Possible cause	Remedy
Poor atomizing (insufficient performance)	The unit is operating in a light mode (low atomizing frequency)	No defect. If necessary to switch to the intensive mode, press «Atomizing frequency» button in the manual setting mode and switch the unit to the intensive operation mode.
	Tank water temperature is too low	Set the maximum performance. Humidifier's performance will be increased in 10 minutes
No atomizing	The plug is poorly inserted into an outlet	Connect the plug into an outlet carefully
	Light on the water indicator has illuminated and went out (water tank is completely empty)	Add water to the tank
Difference between the level of current humidity and readings of a humidity recorder is too big	Dirt accumulation inside an air vent	Clean the air vent. Even in one room humidity can be different depending on the location
	The unit is operated in places, where it is affected by the environment, for example, by a window	Install the unit in places, where it cannot be affected by the environment
Steam has an unpleasant odor	Not fresh water in use	Clean the unit in accordance with the cleaning and maintenance manual and fill it with fresh water
	There are remains of not fresh water or litter in the water groove	

11. DISPOSAL

The humidifier's life is 2 years. At the end of life, the humidifier must be disposed in accordance with regulations, rules and method, effective in the disposal area.

СОДЕРЖАНИЕ

1. Важная информация	8
2. Меры предосторожности	9
3. Технические характеристики	9
4. Описание прибора	10
5. Комплектация	12
6. Наполнение резервуара водой	12
7. Эксплуатация прибора	12
8. Чистка и обслуживание прибора	14
9. Гарантийный талон	16

Уважаемый покупатель!

Благодарим Вас за удачный выбор и приобретение мойки воздуха TIMBERK. Она прослужит Вам долго.

Просим вас внимательно ознакомиться с данным руководством перед тем, как вы начнете эксплуатацию изделия!

1. ВАЖНАЯ ИНФОРМАЦИЯ

Производитель оставляет за собой право без предварительного уведомления покупателя вносить изменения в конструкцию, комплектацию или технологию изготовления изделия с целью улучшения его свойств. В тексте и цифровых обозначениях данного руководства могут быть допущены опечатки. Если после прочтения руководства у Вас останутся вопросы по работе и эксплуатации прибора, обратитесь к продавцу или в специализированный сервисный центр для получения разъяснений. На изделии присутствует этикетка, на которой указаны все необходимые технические данные и другая полезная информация о приборе. Используйте прибор только по назначению, указанному в данном руководстве.

Мойка воздуха предназначена для поддержания благоприятного уровня влажности воздуха в помещении, а так же для очистки воздуха. Комфортные условия достигаются при относительной влажности воздуха от 40 до 60%.

Недостаточная влажность воздуха приводит к высушиванию слизистых оболочек, что в свою очередь является причиной снижения иммунитета, головной боли, растрескивания губ, жжения в глазах, благоприятствует развитию инфекции и заболеваниям дыхательных путей, вызывает утомление, приводит к повышенной усталости глаз и ухудшению концентрации внимания, отрицательно влияет на состояние домашних животных и комнатных растений, приводит к усилению пылеобразования, повышению электростатического заряда синтетических тканей, а также ковров и синтетических напольных покрытий, приводит к повреждению мебели из древесины и особенно паркетных полов, отрицательно влияет на настройку музыкальных инструментов.

Пожалуйста, сохраните это руководство. Внимательно прочитайте это руководство по эксплуатации перед использованием прибора.

Этот прибор работает только от сети питания переменного тока напряжением 220-240В~/50Гц. Не подключайте этот прибор к сети питания с другим напряжением.

2. МЕРЫ ПРЕДОСТОРОЖНОСТИ

Внимательно прочитайте все инструкции перед первым использованием прибора. Во избежание поражения электрическим током или причинения травмы при пользовании прибором всегда соблюдайте основные меры безопасности, в том числе следующие:

- Убедитесь, что указанное в паспорте прибора рабочее напряжение соответствует напряжению Вашей электросети.
- Прибор должен находиться вне досягаемости детей. Не позволяйте детям играть с прибором. Никогда не оставляйте ребенка без присмотра рядом с работающим прибором.
- Не пользуйтесь прибором с поврежденным шнуром или вилкой питания. Не пользуйтесь прибором, если он был поврежден или упал. Возвратите его для проверки, регулировки или ремонта в сервисный центр
- Прибор следует устанавливать на твердой, ровной и горизонтальной поверхности.
- Устанавливайте прибор в таком месте, где риск того, что он будет задет или сбит, минимален.
- Прибор нуждается в регулярной чистке См. раздел руководства «Чистка и обслуживание прибора».
- Не погружайте прибор в воду; для чистки корпуса используйте чистую влажную ткань. Не используйте абразивные моющие средства или растворители для очистки.
- Используйте прибор только полностью собранным.
- ВСЕГДА отключайте прибор от сети перед перемещением прибора и наполнением поддона для воды, слива воды, перед чисткой, обслуживанием прибора, сборкой-разборкой отдельных узлов если вы не пользуетесь прибором длительное время.
- Не тяните за шнур, чтобы выключить прибор из розетки. Для отключения прибора из сети беритесь непосредственно за вилку. Не отключайте прибор из сети мокрыми руками.
- Не допускайте попадания посторонних предметов внутрь прибора, это может привести к механическим повреждениям и короткому замыканию. Не блокируйте отверстия для входа/выхода воздуха.
- Никогда не прокладывайте шнур под коврами, а также не кладите на острые или горячие предметы. Следите, чтобы шнур не перегибался, и по нему не ходили.

- Ремонт электроприборов должен производиться только уполномоченным на это обслуживающим персоналом. Неправильный и неквалифицированный ремонт может привести к несчастным случаям и травмам.
- Если шнур питания поврежден, он должен быть незамедлительно заменен квалифицированным персоналом в авторизованном сервисном центре производителя на новый во избежание поражения электрическим током и возникновения пожара.
- Этот прибор не предназначен для использования лицами (включая детей) с ограниченными физическими, сенсорными или умственными способностями или с недостаточным опытом и знаниями, кроме случаев контроля или инструктирования по вопросам использования прибора со стороны лиц, ответственных за их безопасность.
- Не используйте прибор на открытом воздухе.
- Не используйте прибор для других, не предназначенных для использования целей.
- Данный прибор предназначен только для домашнего использования.
- Не используйте прибор в помещении, в котором присутствуют горячие газы и испарения.
- Не допускайте попадания на прибор капель дождя, не используйте его в избыточно влажных помещениях (ванная комната, прачечная, сауна и т.д.).
- Прибор должен находиться в вертикальном положении.
- На прибор нельзя садиться, вставать, класть тяжелые вещи.
- Использование добавок в воду, таких как, например, эфирные масла, ароматические жидкости, очищающие средства и т.д. могут повредить прибор. Любое использование подобных добавок снимает гарантийные обязательства с производителя/продавца.

3. ТЕХНИЧЕСКИЕ ХАРАКТЕРИСТИКИ

Таблица 1

Технические характеристики	Ед. им.	Значение
Производительность по увлажнению	мл/ч	до 150
Параметры электропитания	В/Гц	220-240-/50
Объем бака	л	2,2
Номинальная потребляемая мощность	Вт	15
Номинальная сила тока	А	0,08
Степень защиты	-	IPX0
Класс электробезопасности	-	II
Размеры прибора	мм	250x250x330
Вес нетто	кг	3,5
Рекомендуемая площадь помещения	м ²	20
Расход воздуха	м ³ /ч	120

Производитель оставляет за собой право для разных партий поставок без предварительного уведомления изменять комплектующие части изделия (включая заливаемые \ засыпаемые составляющие), не влияя при этом на основные технические параметры изделия или улучшая их, а также не нарушая изменениями принятые на территории страны производства \ транзита \ реализации стандарты качества и нормы законодательства.

Это может повлечь за собой изменение веса и габаритов изделия, но не более чем на +/- 5-20% (могут отличаться для разного вида изделий).

4. ОПИСАНИЕ ПРИБОРА

1. Панель управления
2. Выход увлажненного очищенного воздуха
3. Ручка корпуса прибора
4. Корпус прибора
5. Шнур питания

6. Воздухозаборные отверстия
7. Маховик барабана
8. Диски барабана
9. Отметка уровня воды
10. Концевик уровня воды
11. Поддон для воды
13. Ручка поддона (снизу)

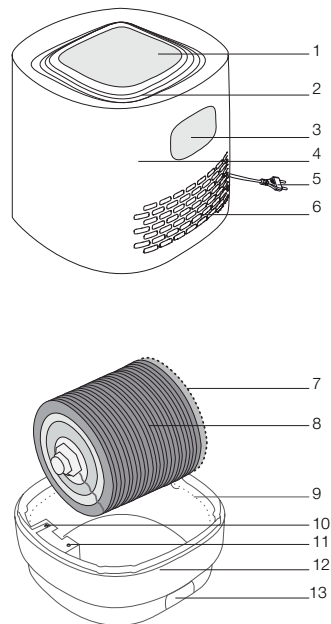


Рис. 1

Принцип работы прибора

Увлажнитель-очиститель воздуха использует технологию очистки воздуха - «мойка воздуха», способную не только очищать, но и насыщать воздух, частицами воды, достигая мягкого и равномерного увлажнения воздуха, максимально приближенного к природному. Воздушная масса, попадая в прибор, соприкасается с увлажненными в воде дисками и распространяется по помещению. Диски имеют специальную форму и объемную шероховатую структуру. За счет формы и структуры дисков у потока воздуха возникает дополнительное сопротивление, усиливается эффект удержания грязи из воздуха, а также воды из прибора. В результате образовавшиеся капли воды создают эффект водного барьера для воздуха и микрочастиц в нем. Поскольку диски вращаются, тяжелые частицы из воздуха оседают на них и смываются водой в нижний поддон. Очищенный от загрязнений воздух насыщается молекулами воды и распространяется в помещении.

Панель управления

1. Индикатор питания.
2. Индикатор ночного режима.
3. Индикатор ионизации.
4. Индикация текущего уровня влажности.
5. Индикатор низкого уровня воды.
6. Индикатор автоматического режима.
7. Кнопка включения ионизации.
8. Кнопка ночного режима.
9. Кнопка выбора режима производительности.
10. Индикатор выбранного режима работы.
11. Индикатор блокировки кнопок.
12. Индикатор таймера.
13. Кнопка включения и настройки таймера.
14. Кнопка включения режима подсветки.
15. Блокировка кнопок.
16. Кнопка включения / выключения.

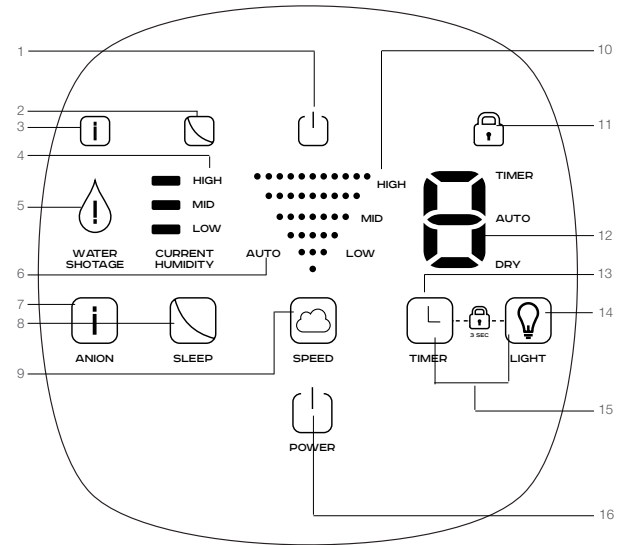


Рис. 2

Управление прибором

При включении прибора в сеть на панели управления загорится индикатор питания (1).

- Кнопка включения/выключения «POWER» (16).

Нажмите на кнопку «POWER» (16) для включения прибора. Повторное нажатие на эту кнопку приведет к прекращению работы прибора и переходу в режим ожидания.

- Кнопка выбора режима производительности «SPEED» (9).

Нажмите на кнопку «SPEED» (9) для выбора режима производительности. Есть три основных режима работы: «LOW» (минимальная производительность), «MID» (средняя производительность) и «HIGH» (максимальная производительность), а также дополнительный автоматический режим «AUTO»(6). При выборе того или иного режима на панели отобразится индикатор (10).

- Кнопка включения ионизации «ANION» (7).

При нажатии на кнопку включится/отключится генератор отрицательных ионов, на панели управления загорится/погаснет индикатор ионизации (3).

- Кнопка ночного режима «SLEEP» (8).

Нажатие на кнопку «SLEEP» (8) переводит прибор в ночной режим (описание работы режима на стр. 12).

- Кнопка таймера «TIMER» (13).

При нажатии на кнопку таймера «TIMER» (13) вы можете задать временной интервал на выключение прибора от 1-го до 8-ми часов, с шагом 1 ч. При этом на панели управления отобразится выбранное время (12).

- Кнопка подсветки «LIGHT» (14).

Нажатие на кнопку «LIGHT» (14) дает возможность включить или выключить функцию подсветки.

- Кнопки блокировки от случайных нажатий и защита от детей «TIMER» + «LIGHT» (15).

Нажатие с одновременным удержанием кнопок «TIMER» и «LIGHT» (15) в течение примерно 3-х секунд позволяет заблокировать / разблокировать работоспособность кнопок управления от случайных (ошибочных) нажатий. При включении функции отобразится индикатор блокировки кнопок (11).

- Индикатор текущего уровня влажности (4).

Показания индикатора текущей влажности могут изменяться динамически. Ориентировочное соотношение показаний: «LOW» - низкий уровень влажности, «MID» - средний, «HIGH» - высокий.

- Low water level indicator (5).

Когда уровень воды в поддоне снизится до минимального, загорится индикатор низкого уровня воды (5). Одновременно с этим прозвучат несколько звуковых сигналов, оповещающих о недостатке воды, после этого прибор выключится.

5. КОМПЛЕКТАЦИЯ

1. Мойка воздуха – 1 шт.
2. Руководство по эксплуатации и гарантийный талон – 1 шт.
3. Упаковка – 1 шт.

6. НАПОЛНЕНИЕ РЕЗЕРВУАРА ВОДОЙ

Для того чтобы залить воду в поддон, возьмите за ручки корпус прибора, снимите его, подняв вверх, и отставьте в сторону. Двумя руками возьмите поддон (с барабаном или без) за ручки, заполните водой до отметки уровня. Во избежание случайного падения или удара крепко держите его двумя руками. Переместите заполненный поддон в предполагаемое место эксплуатации. Установите корпус прибора на заполненный водой поддон так, чтобы маховик барабана совпал с шестерней прибора. Обратите внимание, концевики в поддоне расположены с лицевой стороны.

7. ЭКСПЛУАТАЦИЯ ПРИБОРА

Подключите прибор к электрической сети, нажмите кнопку включения «POWER», используйте кнопки на панели управления для выбора желаемого режима и времени работы прибора. Точное описание значений кнопок вы можете найти в разделе «Управление прибором».

Для выключения прибора нажмите кнопку «POWER». Отключите прибор от электрической сети.

Прибор должен устанавливаться на расстоянии не менее 10 см от стен и батарей отопления. Беспрепятственный доступ воздуха к прибору увеличивает его эффективность и производительность.

Не устанавливайте устройство на мягкий ковер или ковровое покрытие.

Заполняйте поддон холодной водой из-под крана до отметки уровня воды. Заливайте в прибор только холодную воду (не более 30 °С). Горячая вода может повредить диски барабана и другие части устройства.

Рекомендуется заливать очищенную воду (отфильтрованную). В этом случае очистка дисков барабана и поддона для воды может проводиться реже, чем с использованием воды из-под крана.

Правила эксплуатации:

- Перед первым включением, особенно если температура на улице ниже нуля, дайте прибору нагреться при комнатной температуре в течение 1 часа.
- Прибор рекомендуется использовать при температуре от 5°C до 40°C, и относительной влажности не более 80%.
- Используйте только чистую воду, температура которой не должна быть выше 30°C.
- Перед длительным отключением (более 2 суток) слейте воду из поддона, просушите блок дисков.

- Инструкцию по очистке блока дисков и поддона читайте в разделе «Чистка и обслуживание прибора».

Выбор режимов работы

- **Функция регулировки производительности «SPEED»**

Прибор снабжен тремя режимами производительности: «LOW» (минимальная производительность), «MID» (средняя производительность) и «HIGH» (максимальная производительность).

- **Функция «SLEEP»**

Функция ночной режим «SLEEP» предполагает снижение воздухообмена (снижение скорости движения воздушной массы проходящей через прибор) при низком уровне шума (рекомендуется использовать данный режим ночью или во время отдыха). Особенностью режима является переход любого из режимов (LOW, MID, HIGH, AUTO) производительности в минимальный с одновременным затуханием подсветки (LIGHT) и большей части информационных индикаторов, за исключением символов питания прибора и ночного режима.

- **Функция «забота о здоровье», автоматический режим «AUTO»**

Благодаря многолетним тестированиям и сбору большого количества технической информации, была разработана функция «забота о здоровье» с целью достижения нужного темпа работы, необходимого для поддержания здоровой среды. Эта запрограммированная функция, которая не позволяет переувлажнять помещение, и удерживать влажность на необходимом уровне. Когда влажность достигает заданного уровня, встроенный в прибор процессор снижает уровень увлажнения до минимального. При влажности в помещении ниже 40% устройство будет работать в режиме «HIGH» и будет стремиться к достижению 40%-го уровня влажности, при 40% - 60% в режиме «MID», свыше 60% будет работать в режиме «LOW».



ПРИМЕЧАНИЕ:

Для того, чтобы повысить производительность прибора по увлажнению, необходимо использовать теплую воду, но не выше 30°C. Отложение солей на дисках также способствует повышению производительности по увлажнению, т.к. соли создают дополнительную микро-структуру поверхности дисков, способствующую большей смачиваемости. Чем выше температура воздуха в помещении, тем быстрее будет происходить увлажнение воздуха.



ВНИМАНИЕ!

Как любая мойка воздуха, данный прибор использует метод естественного испарения! Этот метод подразумевает, что при определенной температуре воздуха, вода не будет испаряться в атмосферу (помещение) больше, чем это позволяет физический процесс. Например, при температуре 21-24°C относительная влажность не превысит 40-45%, при условии, что вода в приборе не нагревается искусственно.

- **Функция ионизации «ANION».**

Данный прибор оснащен генератором отрицательных ионов. Отрицательные ионы способствуют тонизированию организма, устранению усталости, повышению работоспособности, улучшению сна и обладают многими другими преимуществами. Данную функцию можно отключить, нажав на соответствующую кнопку на панели управления.

- **Датчик и индикатор уровня воды.**

Прибор оснащен датчиком уровня воды. Когда вода закончится, работает звуковая сигнализация, загорится индикатор на панели управления, и прибор отключится.

- **Блокировка нажатия кнопок (защита от детей).**

Функция позволяет предупредить ошибочные (случайные) нажатия на кнопки управления.

- **Таймер «TIMER».**

Воспользовавшись функцией таймер, можно задать временной интервал на выключение прибора. Цикл интервалов: 1-2-3-4-5-6-7-8 часов.

- **Функция подсветки «LIGHT».**

Функция дает возможность подсвечивать верхнюю часть устройства.



ПРИМЕЧАНИЕ:

Все элементы устройства изготовлены из хрупкого материала. Будьте осторожны, старайтесь не ударять их о посторонние предметы и не ронять.



ПРИМЕЧАНИЕ:

Заливайте в поддон для воды только чистую воду без добавления каких-либо ароматических или других веществ! В противном случае, это может привести к протечке воды из-за появления микротрещин и трещин на резервуаре, а также потере своих свойств и порче дисков. При добавлении свежей воды, всегда выливайте остатки той, что использовалась до этого.



ВНИМАНИЕ!

Увлажняющие диски способны абсорбировать из воды примеси (кальций, известь, железо и т. д.) во время работы. Поэтому один - два раза в месяц, в зависимости от качества воды, диски необходимо очищать от минеральных отложений. Правила очистки дисков смотрите в разделе «Чистка и обслуживание прибора».

8. ЧИСТКА И ОБСЛУЖИВАНИЕ ПРИБОРА

Регулярная очистка поддона и блока дисков.

В процессе эксплуатации, в поддоне скапливается грязь и всевозможные микроорганизмы. Поэтому поддон, а также блок дисков необходимо регулярно очищать. Для их очистки используйте мыльный раствор и мягкую ткань или губку. После очистки промойте поддон и диски проточной водой. Рекомендуется производить подобную очистку с периодичностью один раз в неделю.

Периодическая очистка поддона и увлажняющих дисков.

В случае сильного загрязнения поддона известковыми отложениями извлеките блок дисков, залейте его раствором лимонной кислоты из расчёта 1 столовая ложка на 2 литра воды и выдержите в течение 2-3 часов.

Для очистки блока дисков используйте ёмкость, которая позволит полностью погрузить блок дисков в заранее подготовленный вышеописанный раствор лимонной кислоты. В зависимости от плотности отложений и частоты очистки, возможно, потребуется больше времени для размягчения отложений.

Используя мягкую щётку или губку, снимите налет с поддона и/или блока дисков. После чего промойте поддон или блок дисков проточной водой.

Для поддержания чистоты воды в приборе как можно чаще меняйте воду в нём. Не допускайте, чтобы вода в поддоне застаивалась. Если прибор не будет использоваться больше 2 суток, слейте воду из поддона и просушите его.

В случае длительного хранения промойте все части прибора, протрите и высушите их.

Очистка отсекающего фильтра (опция зависит от комплекта поставки)

Время от времени на поверхности отсекающего фильтра могут скапливаться различные частицы из воздуха. Необходимо периодически визуально контролировать его чистоту и в случае необходимости очищать от скопившихся загрязнений.

Отключите питание прибора, нажав на кнопку «POWER» и отсоединив от электросети.

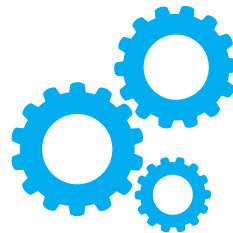
Поднимите вверх корпус прибора, переверните и уложите его на мягкую ткань. Используя пылесос на невысоких оборотах, очистите отсекающий фильтр. В ряде случаев фильтр требуется промыть. Для этого, используя крестовую отвертку, выкрутите фиксирующий шуруп и снимите фильтр с фиксаторов. После процедуры очистки водой просушите фильтр и установите на место в обратном порядке.



ВНИМАНИЕ!

Несоблюдение правил раздела «Чистка и обслуживание прибора» может привести к развитию микроорганизмов, бактерий внутри поддона. Что приведет к неприятным запахам и нарушению гигиенических норм. Если производительность увлажнения упала, то необходимо очистить блок дисков и отсекающий фильтр. Если ваш прибор не работает надлежащим образом, проверьте его, прежде чем обратиться в сервисный центр.

Используйте максимально чистую воду! Водопроводная вода зачастую содержит соли кальция, частицы ржавчины и прочие химические элементы. Подобные элементы способны оседать на внутренних поверхностях прибора, что может привести к поломке или затруднениям при регламентных работах по обслуживанию прибора.



www.btpart.ru

Все расходные материалы для
продукции TIMBERK вы можете
приобрести на сайте www.btpart.ru

Уважаемый покупатель!

TIMBERK предоставляет вам специальный сервис в рамках программы клиентской поддержки. Теперь вы всегда сможете заказать и оформить доставку на запасные части и расходные материалы, необходимые для оптимальной, качественной работы техники TIMBERK в течение всего срока службы на едином портале www.btpart.ru.

Всю информацию о работе портала вы также всегда сможете увидеть на сайте www.timberk.com. Мы искренне надеемся, что этот уникальный дополнительный сервис поможет вам сделать жизнь с TIMBERK еще удобнее!



ГАРАНТИЙНЫЙ ТАЛОН



Уважаемый покупатель!

**Обратите внимание на необходимость вашей подписи
на стр.20**

www.timberk.com

Гарантийные обязательства

Гарантийное обслуживание и ремонт бытовой электрической мойки (очистителя) воздуха TIMBERK с соблюдением требований и норм Изготовителя (TIMBERK) производится на территории РФ только в авторизованных сервисных центрах Изготовителя или мастерских, уполномоченных производителем и работающих с ним на основании договора.

Срок проведения экспертизы и гарантийного ремонта - не более 45 дней с момента приемки дефектного изделия авторизованным сервисным центром TIMBERK.

Если при эксплуатации изделия Вы столкнулись с неполадками в его работе, которые Вы не можете устранить самостоятельно в строгом соответствии с Руководством по эксплуатации изделия, обратитесь к региональному представителю Изготовителя в России или в региональный авторизованный сервисный центр TIMBERK, уточнив адрес у продавца.

Полный перечень сервисных центров указан на сайте www.timberk.com или приложен отдельным списком в комплекте с изделием.

Также Вы можете обратиться в уполномоченную сервисную службу Изготовителя по телефону: +7 (495) 627-5285, либо по телефонам, указанным на сайте: www.timberk.com, или отправить сообщение по электронному адресу: ru.service@timberk.com

Если отсутствие надлежащим образом заполненного гарантийного талона на изделие или отсутствие чека с указанием изделия не позволяет идентифицировать изделие и факт его продажи на территории РФ, то Изготовитель вправе отказать в гарантийном обслуживании изделия.

При невозможности определить дату продажи изделия, гарантийный срок исчисляется с даты его производства.

Дата производства изделия определяется по реестру Изготовителя в соответствии с серийным номером изделия.

Официальный срок службы бытовой электрической мойки (очистителя) воздуха TIMBERK, установленный изготовителем, составляет 3 года, со дня передачи изделия потребителю.

Указанный срок службы действителен только при условии соблюдения правил эксплуатации и правильного ухода за изделием.

Во избежание недоразумений убедительно просим Вас внимательно

изучить Руководство по эксплуатации изделия и условия гарантийных обязательств, проверить правильность заполнения бланка гарантийного талона. Согласно требованиям Изготовителя, гарантийный талон действителен только при наличии четко и правильно указанных данных: модели, серийного номера изделия, даты покупки, данных фирмы-продавца, подписи покупателя. Соответствующие данные также должны быть указаны продавцом на отрывных талонах.

Модель и серийный номер изделия (на маркировочной (идентификационной) наклейке Изготовителя на изделии (TIMBERK ID) должны соответствовать указанным в гарантийном талоне продавцом. При нарушении этих условий, а также в случае, когда данные, указанные в гарантийном талоне, изменены или стерты, талон может быть признан недействительным.

Данным гарантийным талоном Изготовитель подтверждает принятие на себя обязательств по удовлетворению законных требований потребителей в случае обнаружения недостатков изделия, возникших по вине Изготовителя в течение установленного гарантийного срока.

Гарантийный срок для бытовой электрической мойки (очистителя) воздуха TIMBERK, установленный изготовителем, составляет 1 год, со дня передачи изделия потребителю.

Для ряда территорий могут действовать исключительные правила гарантии, увеличивающие срок на изделие или компоненты. Такие правила устанавливаются только по распоряжению Производителя официальным письмом Производителя.

Гарантийные обязательства дополняют и уточняют оговоренные законом обязательства, предполагающие соглашение сторон либо договор; выдаются Изготовителем в дополнение к законным правам потребителей и ни в коей мере их не ограничивают.

Гарантия Изготовителя действительна только на территории РФ на изделия, купленные на территории РФ и изготовленные для РФ.



ВНИМАНИЕ!

Если изделие использовалось в соответствии с его целями применения, установленными Руководством по эксплуатации, в рамках осуществления предпринимательской деятельности, то гарантийный срок изделия составляет 3 (три) месяца с момента продажи изделия или 5 (пять) месяцев с момента производства изделия, если дата продажи не установлена*.

Изготовитель оставляет за собой право:

- отказать в гарантийном сервисном обслуживании изделия в случае несоблюдения изложенных ниже условий (см. «Досрочное прекращение гарантийного обслуживания»);
- самостоятельно инициировать независимую экспертизу для выяснения обстоятельств, приведших к выходу прибора из строя;
- сравнивать предоставленную маркировочную (идентификационную) наклейку изделия (TIMBERK ID) с данными реестров производства для проверки соответствия серийного номера изделия уникальным производственным номерам реестров.

Просим Вас хранить Гарантийный талон в течение всего гарантийного срока, установленного Изготовителем на приобретенное Вами изделие.

При покупке изделия требуйте от продавца проверку его комплектности и отсутствия механических повреждений в Вашем присутствии, а также правильного и четкого заполнения данного гарантийного талона. Претензии по некомплектности и выявленным механическим повреждениям после продажи изделия не принимаются.

Для гарантийного ремонта предъявляйте данный Гарантийный талон вместе с товарным (кассовым) чеком или другим документом, подтверждающим дату и факт продажи изделия на территории РФ.

Досрочное прекращение гарантийного обслуживания.

Все условия гарантийного обслуживания регулируются Законодательством РФ и Законом РФ «О защите прав потребителей». В частности, отказ в бесплатном гарантийном обслуживании изделия может быть вызван:

- нарушением при оформлении гарантийного талона при продаже изделия;
- отсутствием товарного или кассового чека о продаже изделия или невозможностью определить продавца изделия;
- наличием следов механических повреждений, возникших после передачи изделия потребителю и явившихся возможной причиной возникновения дефекта;
- наличием повреждений, вызванных несоответствием стандартам параметров питающих сетей и других подобных внешних факторов, а также вызванных использованием нестандартных, неоригинальных (или некачественных) аксессуаров, принадлежностей, запасных частей, элементов и т.д.;

- нарушением правил Руководства по эксплуатации данного изделия;
- наличием следов несанкционированного вскрытия и/или ремонта изделия, повлекших за собой отказ в работе изделия;
- дефектом или отказом системы или ее части, где изделие использовалось как часть системы и это могло привести к дефекту или отказу изделия.

Гарантийные обязательства не распространяются на перечисленные ниже части и принадлежности изделия, если их замена не связана с разборкой самого изделия или их замена требуется при профилактическом обслуживании:

- части и узлы изделия, неисправность которых связана с естественным износом в процессе эксплуатации (отсекающий фильтр, диски барабана, барабан и т.д.);
- материалы, наклеенные на изделие, имеющие рекламное или информационное назначение, за исключением маркировочной (идентификационной) наклейки Изготовителя (TIMBERK ID).



ВНИМАНИЕ!

Если в результате экспертизы/диагностики изделия установлено, что его недостатки возникли вследствие обстоятельств, за которые не отвечает продавец (изготовитель), либо недостатки в товаре отсутствуют, Потребитель обязан возместить продавцу (изготовителю или уполномоченной изготовителем организации) расходы на проведение экспертизы (диагностики), а также связанные с ее проведением расходы на хранение и транспортировку товара в соответствии с Законом РФ «О защите прав потребителей» № 171-ФЗ в ред. от 21.12.2004 ст. 18 п.5.

Изготовитель не несет гарантийных обязательств за изделие в следующих случаях:

- если изделие использовалось в иных целях, не соответствующих его прямому назначению в соответствии с Руководством по эксплуатации;
- если на изделии отсутствует маркировочная (идентификационная) табличка Изготовителя (TIMBERK ID);

- если изделие имеет следы несанкционированного вскрытия, не предусмотренного Руководством по эксплуатации, и попыток неквалифицированного ремонта;
- если дефект вызван изменением/нарушением конструкции или схемы изделия, не предусмотренным Изготовителем;
- если обнаружены повреждения, вызванные попаданием внутрь изделия посторонних предметов, веществ, жидкостей, насекомых, скоплением большого количества пыли;
- если обнаружены повреждения, связанные с замерзанием внутри прибора жидкостей;
- если обнаружены повреждения, вызванные подключением к электрической сети с недопустимыми параметрами;
- если дефект вызван действием непреодолимых сил, несчастными случаями, умышленными или неосторожными действиями потребителя или третьих лиц;
- неправильного хранения (консервации / разборки-сборки на период хранения) изделия;

Изготовитель снимает с себя любую ответственность за возможный вред, прямо и или косвенно нанесенный продукцией TIMBERK людям, домашним животным, и имуществу, в случаях, если это произошло в результате несоблюдения правил и условий эксплуатации или вследствие неквалифицированного, обслуживания и ремонта изделия, умышленных или неосторожных действий потребителя или третьих лиц.



ВНИМАНИЕ!

Если маркировочная (идентификационная) наклейка на изделие TIMBERK (TIMBERK ID) закреплена на изделии не плотно и существует риск ее утери, то вклейте ее в гарантийный талон на последней странице.

Гарантийные обязательства Изготовителя не распространяются на случаи возникновения неисправностей из-за использования химически жесткой воды без дополнительной предварительной фильтрации.



ПРИМЕЧАНИЕ:

Пожалуйста, потребуйте от продавца полностью, четко и правильно заполнить бланк Гарантийного талона и отрывные талоны.

Для ряда территорий могут действовать исключительные правила гарантии, увеличивающие срок на изделие или компоненты. Такие правила устанавливаются только по распоряжению Производителя официальным письмом Производителя.



ВНИМАНИЕ!

Большинство приборов торговой марки TIMBERK требуют профессиональных консультаций со специалистами соответствующей квалификации в процессе подбора, а также при вводе их в эксплуатацию. Производитель рекомендует приобретать приборы TIMBERK только у авторизованных им продавцов. Перечень продавцов, не исполняющих полностью или частично требований производителя к правилам обслуживания покупателей, а также требований производителя к предоставлению стандартных условий приобретения приборов TIMBERK представлен в соответствующем разделе на сайте www.timberk.com.



ВНИМАНИЕ!

Если изделие использовалось в соответствии с его целями применения, установленными Руководством по эксплуатации, в рамках осуществления предпринимательской деятельности, то гарантийный срок изделия составляет 3 (три) месяца с момента продажи изделия или 5 (пять) месяцев с момента производства изделия, если дата продажи не установлена.

Бланк гарантийного талона.

Заполняется фирмой-продавцом

Изделие	
Модель	
Серийный номер	
Дата продажи	
Фирма-продавец	
Адрес фирмы продавца	
Телефон фирмы продавца	

Без подписи покупателя Гарантийный талон является недействительным.



Печать
фирмы-продавца

Заполняется сервисным центром

«А»

Дата приема	
Дата выдачи	
Особые отметки	

Печать
сервисного центра

«Б»

Дата приема	
Дата выдачи	
Особые отметки	

Печать
сервисного центра

«В»

Дата приема	
Дата выдачи	
Особые отметки	

Печать
сервисного центра

«Г»

Дата приема	
Дата выдачи	
Особые отметки	

Печать
сервисного центра

Подписывая данный гарантийный талон, Покупатель признает, что он:

1. Проверил заполнение информации.
2. Получил Руководство по эксплуатации на изделие на русском языке.
3. Владеет всей необходимой информацией о приобретенном изделии и его потребительских свойствах, характеристиках в соответствии со статьей 10 Закона РФ «О защите прав потребителей».
4. Ознакомлен и полностью согласен с условиями и ограничениями гарантийного обслуживания, а также с условиями установки / подключения / сервисного обслуживания / эксплуатации приобретенного изделия.
5. Не имеет претензий к внешнему виду / комплектности / работоспособности (если прибор проверялся в его присутствии при продаже) приобретенного изделия.

Подпись покупателя (с расшифровкой)

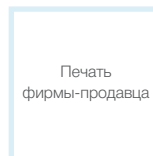
_____ / _____ /

Дата _____

Отрывной талон«А»

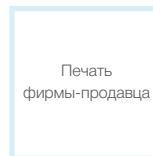
Изделие	
Модель	
Серийный номер	
Дата продажи	
Фирма-продавец	

Заполняется фирмой-продавцом

**Отрывной талон«Б»**

Изделие	
Модель	
Серийный номер	
Дата продажи	
Фирма-продавец	

Заполняется фирмой-продавцом

**Отрывной талон«В»**

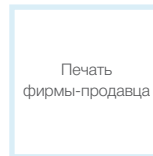
Изделие	
Модель	
Серийный номер	
Дата продажи	
Фирма-продавец	

Заполняется фирмой-продавцом

**Отрывной талон«Г»**

Изделие	
Модель	
Серийный номер	
Дата продажи	
Фирма-продавец	

Заполняется фирмой-продавцом



Дата приема	
Дата выдачи	
Номер заказа-наряда	
Проявление дефекта	
Мастер	
Код неисправности	

Заполняется сервисным центром



Дата приема	
Дата выдачи	
Номер заказа-наряда	
Проявление дефекта	
Мастер	
Код неисправности	

Заполняется сервисным центром



Дата приема	
Дата выдачи	
Номер заказа-наряда	
Проявление дефекта	
Мастер	
Код неисправности	

Заполняется сервисным центром



Дата приема	
Дата выдачи	
Номер заказа-наряда	
Проявление дефекта	
Мастер	
Код неисправности	

Заполняется сервисным центром





RU

Руководство по эксплуатации техники Timberk написано на английском языке и переведено на русский язык.



BY

В целях информирования покупателей техники TIMBERK, мы дополнительно сообщаем, что русский является государственным языком в следующих государствах:



OS

- в Российской Федерации
- в Республике Беларусь наряду с белорусским языком
- в частично признанной Южной Осетии наряду с осетинским языком



KZ

Русский язык является официальным языком (во всех случаях другой язык или другие языки выступают как государственный или второй официальный) в следующих государствах и на территориях:



AK



KG



UA



TJ



CIS

- в Республике Казахстан
- в Киргизской Республике
- в административных единицах Украины, где доля носителей русского языка составляет более 10%, при соответствующем решении местных советов
- в Автономной Республике Крым

В Республике Таджикистан русский язык признан по Конституции языком межнационального общения.

Официальным языком международной организации Содружество Независимых Государств (СНГ) является русский язык.

Если вы заметили ошибку в руководстве по эксплуатации, пожалуйста, сообщите нам об этом, связавшись с нами по электронной почте, указанной на сайте www.timberk.com

If you found any mistake in this manual please let us know by email listed on www.timberk.com



www.timberk.com

EAC