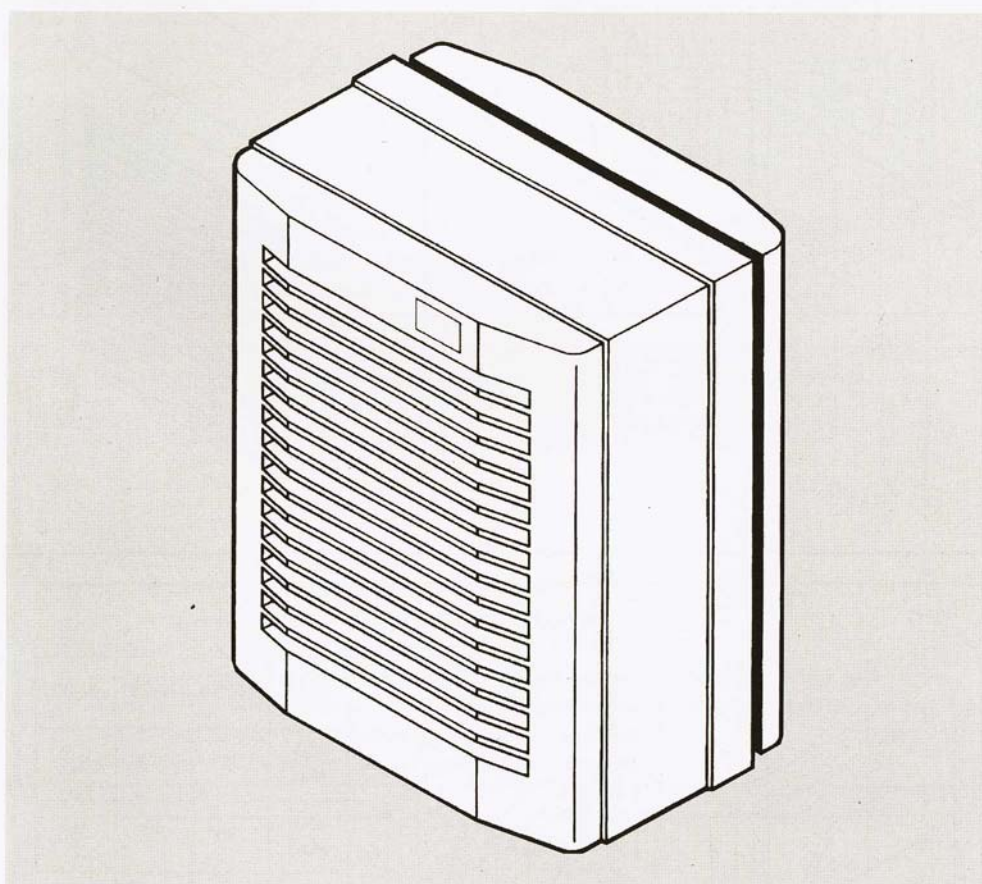




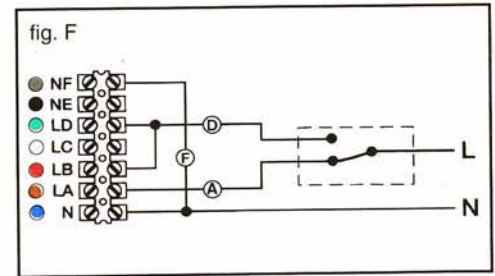
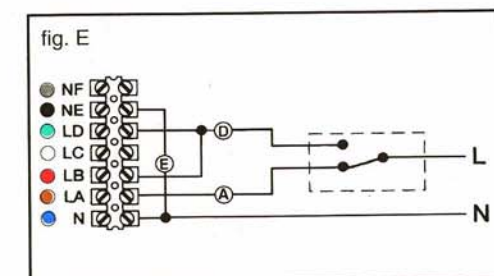
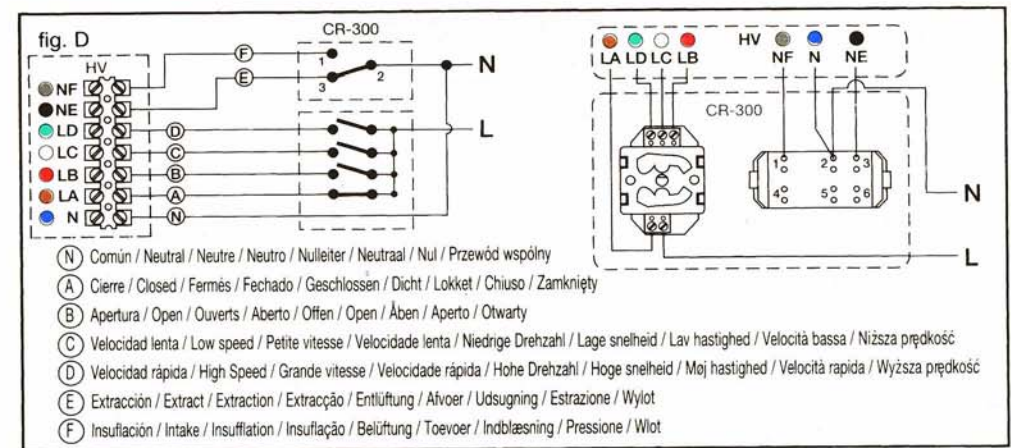
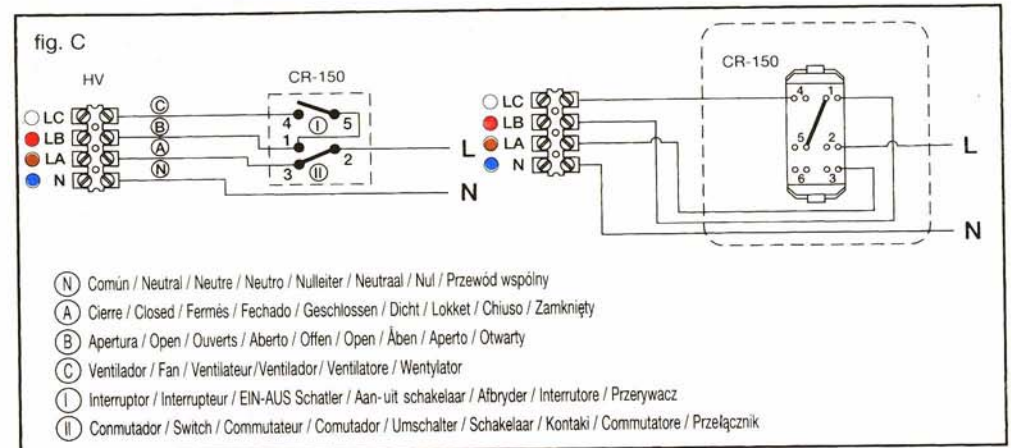
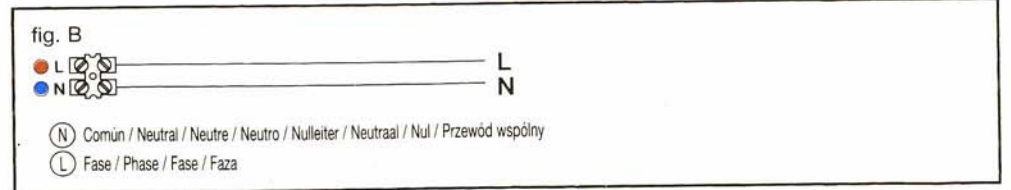
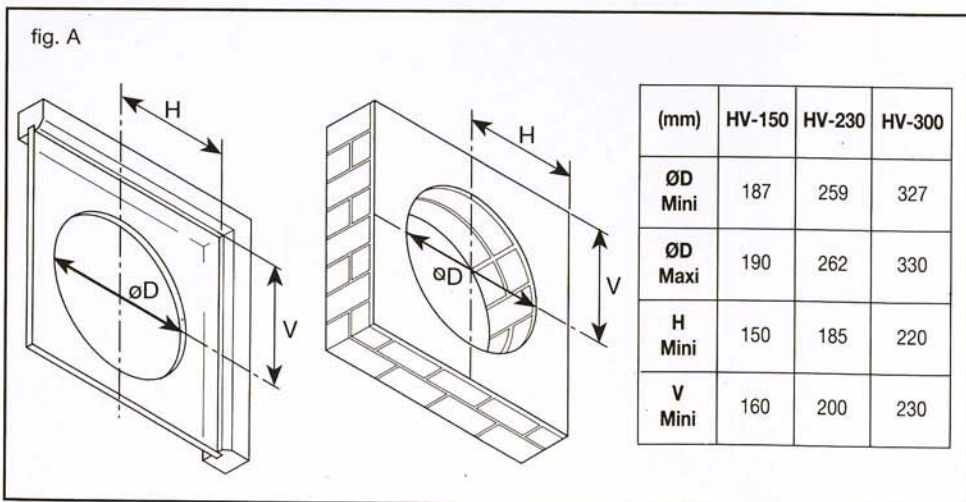
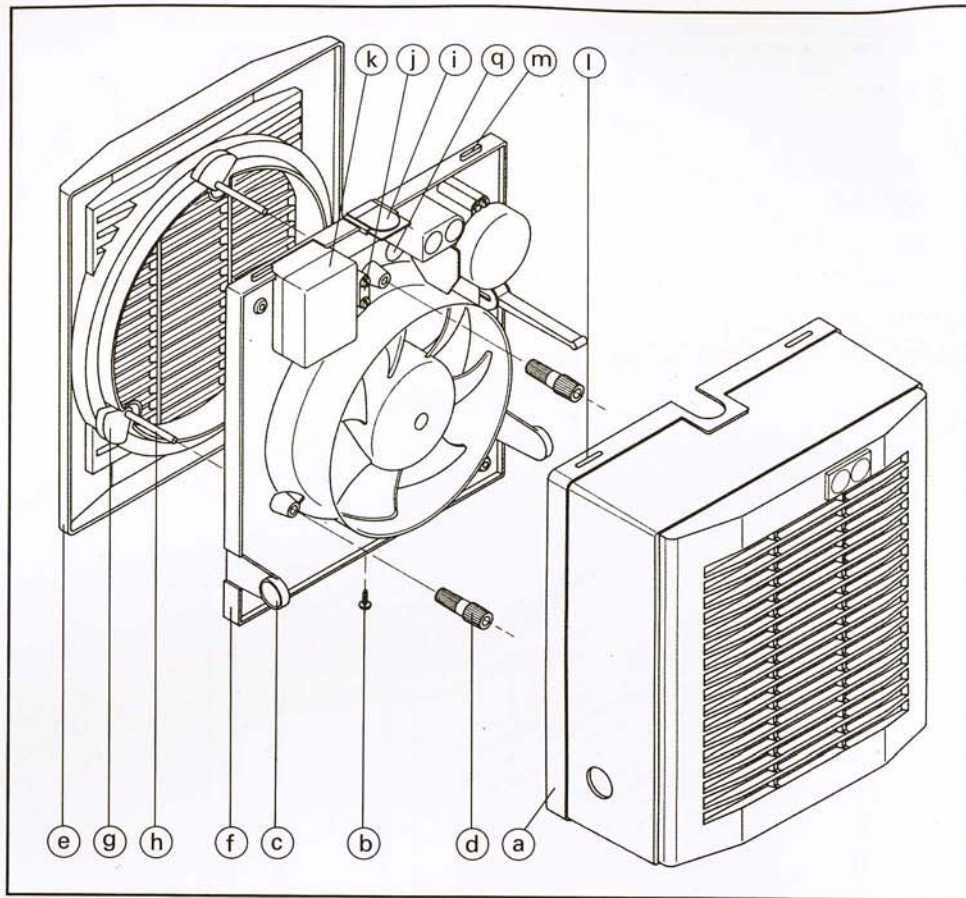
Ventiladores de ventana o pared
Window/fall fans
Aérateurs de fenêtre ou mur
Ventiladores de janela ou parede
Fenster-und wandventilatoren

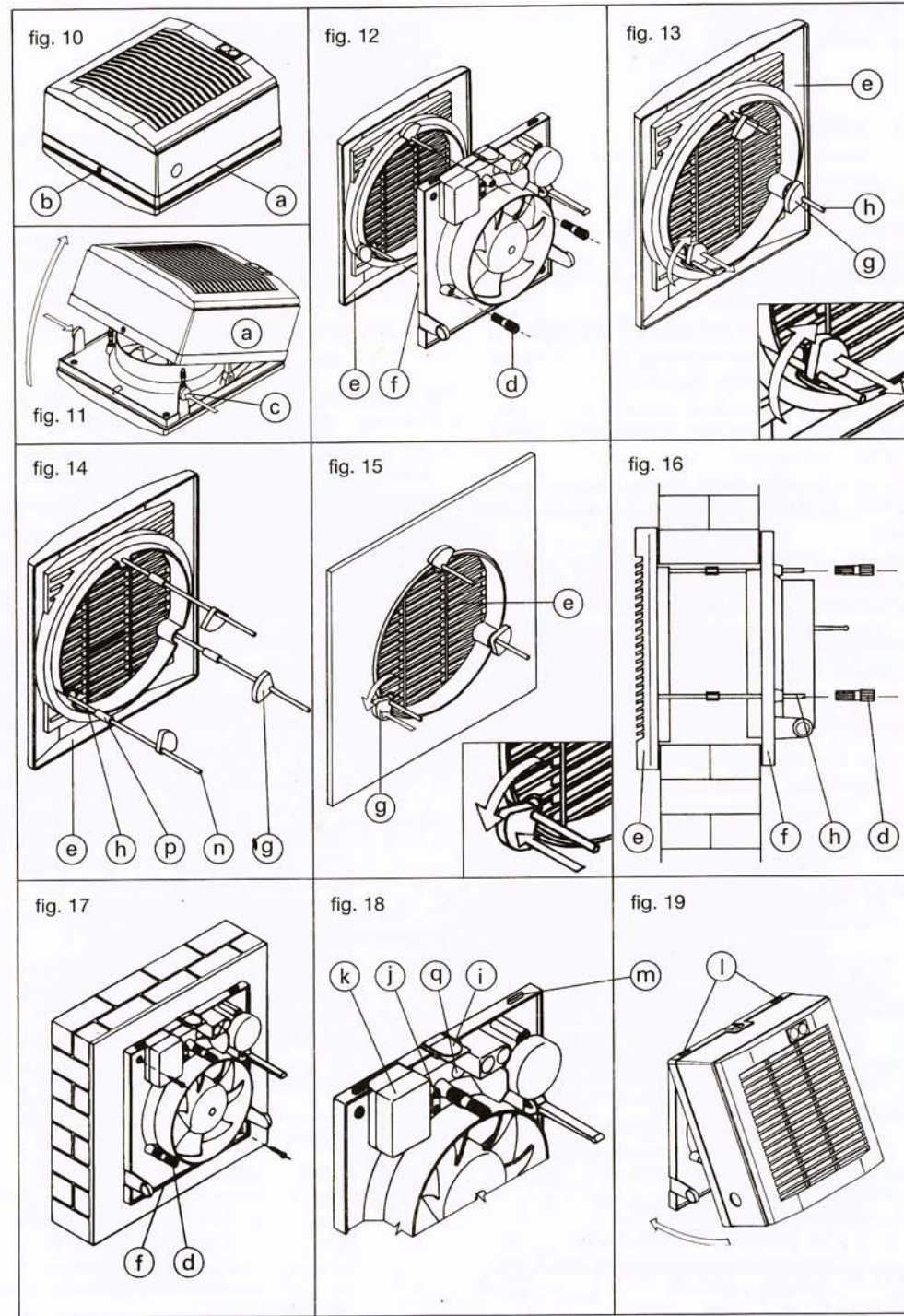
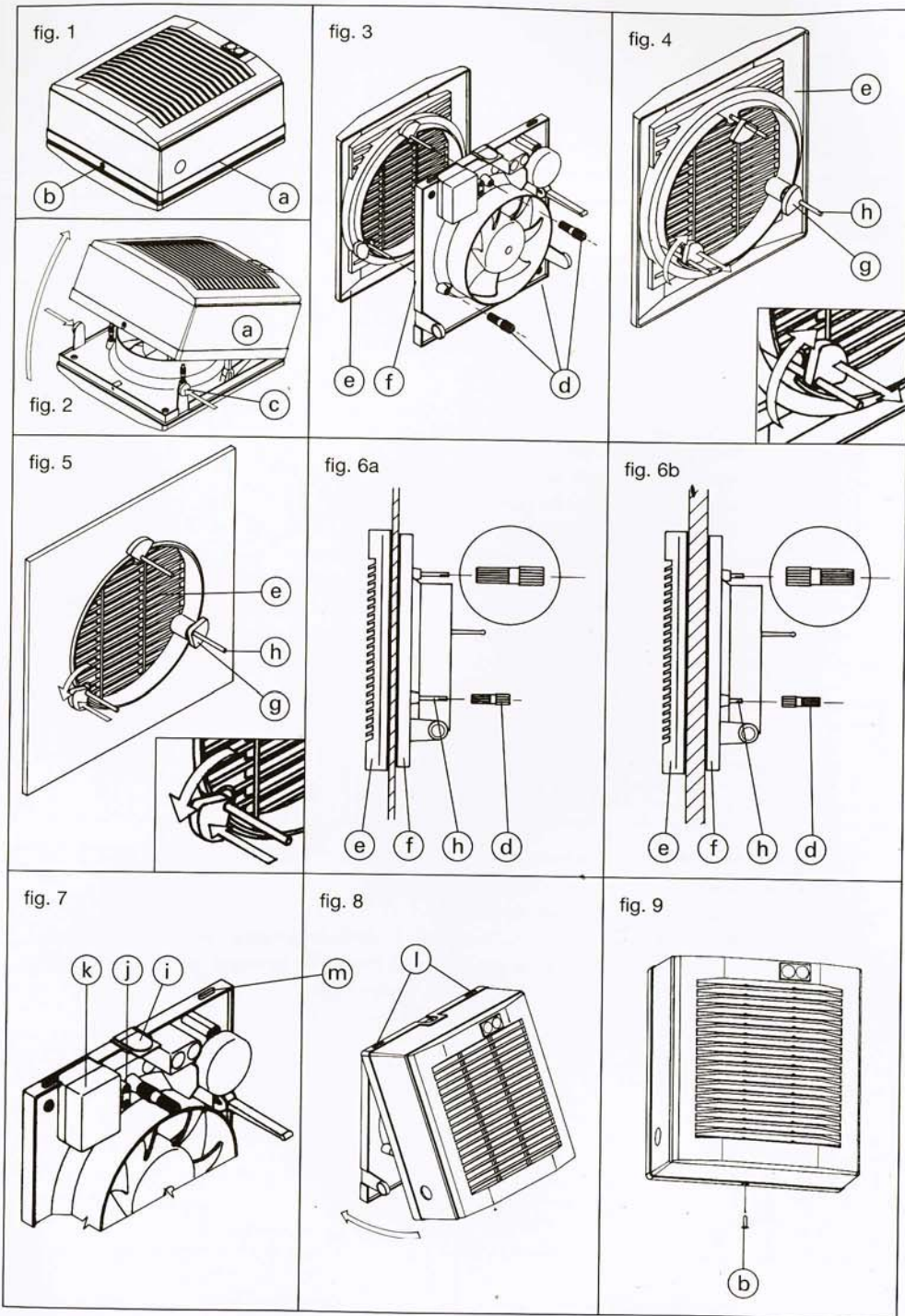
Raam-/muurventilatoren
Mur-og vinduesventilatorer
Fönster-väggfläkt
Ventilatore da finestra o muro
Wentylator okienno-ścienny
Ablak ill fali ventilátorok



Instrucciones de montaje
Instruction leaflet
Notice de montage
Instruções para a montagem
Montageanweisungen

Montage- en gebruiksaanwijzing
Monterings- og brugsvejledning
Istruzioni per l'installazione
Instrukcja obsługi
Szerelési Utasítások





FITTING AND WIRING INSTRUCTIONS

Important recommendations

- The installation must be in accordance with the electrical standards and regulations in force in your country.
- If the fan operates as an extractor in a room with a boiler or any other type of appliance requiring air for combustion check that air replacement inlets are sufficiently sized.
- Ensure that the values of voltage and frequency of main supply are compatible with those indicated on the rating plate of the appliance.
- Please ensure that a suitable isolator switch is provided in the electrical circuit. The HV-Series fans are of Class II (double Electrical Insulation), and therefore do not need to be connected to earth.
- Check that the appliance is in perfect conditions when unpacking it, as any manufacturing fault is covered by the S&P guarantee.

Installation in windows with a minimum thickness of 3 mm and walls or panels with a maximum thickness of 25 mm

- Cut a hole following the dimensions indicated on fig. A.
- Dismantle the HV-fan in accordance with the following instructions:
 - Fig. 1.- Loosen the retaining screw (b) fixing the internal front cover (a).
 - Fig. 2.- Remove the internal front cover (a) by pressing the knobs (c).
 - Fig. 3.- Unscrew the 3 bolts (d) fixing the external grille (e) and separate from the support plate (f).
- Install the HV-fan as follows:
 - Fig. 4.- Pull the external grille (e) towards you and turn the rubber mounting (g) on the screws (h), towards the inner side of the grille.
 - Fig. 5.- From the outside, place the external grille (e) over the hole in the glass. From the inside, turn and push the rubber mountings (g) until they are located against the glass keeping the external grille (e) in its correct position.
 - Fig. 6.- Mount the support plate (f) to the screws (h) of the external grille (e) and tighten the bolts (d) to suit the thickness of the glass:
 - Glass thickness 3 - 14 mm: Fig. 6a.
 - Panel thickness 14 - 25 mm: Fig. 6b
 Tighten the screws taking care not to flatten the rubber joints between the support plate and the external grille.

Ensure that the glass is not in contact with the plastic frame.
 - Fig. 7.- Make the necessary hole in the gland (i), and feed the electrical cables through the clamp (j) and connect

them in the terminal box (k) as explained in the electrical wiring instructions fig. B to F.

Fig. 8.- Munt the internal cover (a) by slotting the rectangular openings (l) on the top of the cover (a) into the receivers (m) of the support plate (f) until the two knobs (c) are correctly positioned.

Fig. 9.- Tighten the locking screw (b).

Wall mounting (extended fixing rod set accessory must be used)

- Cut a hole in the wall where the unit is to be mounted, in accordance with the dimensions indicated in fig. A.
- Measure the thickness of the wall and cut the threaded rods (n) 5 mm shorter than this thickness.
- Use the appliance to mark on the wall the position of the fixing holes for the support plate (f), drill the fixing holes and insert the wall plugs.
- Dismantle the HV-fan in accordance with the following instructions:

Fig. 10.- Loosen the retaining screw (b) fixing the internal front cover (a).

Fig. 11.- Remove the internal front cover (a) by pressing the knobs (c).

Fig. 12.- Loosen the 3 bolts (d) fixing the internal grille (e) and separate it from the support plate (f).

- Install the HV-fan as follows:

Fig. 13.- Pull the internal grille (e) towards you and take the rubber mountings (g) away from the screws (h).

Fig. 14.- Fix the threaded rods (n) to the screws (h) on the external grille (e) with the threaded couplers (p) supplied and put back the rubber mountings (g) or the rods.

Fig. 15.- From the outside, place the external grille (e) over the hole in the wall. From the inside, turn and push the rubber mountings (g) until they are located against the wall keeping the external grille (e) in its correct position.

Fig. 16.- Mount the support plate (f) to the threaded rods (n) and tighten the bolts (d) to suit the length of the rod sticking out from the support plate (f).

Fig. 17.- Fix the support plate (f) to the wall and tighten the bolts (d).

Fig. 18.- Depending on the position of the incoming electrical cables, make a hole on the gland (i) on the front cover (a) or in the gland (q) on the support plate (f) introduce the electrical cables through the clamp (j) and connect to the terminal box (k) as indicated on the electrical wiring instruction Fig. B to F.

Fig. 19.- Mount the internal cover (a) by slotting the rectangular openings (l) on the top of the cover (a) into the receivers (m) of the support plate (f) until the two knobs (c) are correctly positioned.

Fig. 9.- Tighten the locking screw (b).

Electrical wiring:

The electrical installation should be made with a multipolar isolating switch with an opening distance between contacts of at least 3 mm.

- Models with pull-cord: diagram on Fig. B.
- Model HV-150 A: diagram on Fig. C.
- Models HV-230 A and HV-300 A: diagram on Fig. D, E and F (see the text framed).

Operation

- Model HV-150 M

Features of the fan:

- 1- Fan stopped and shutter closed.
- 2- Fan on and shutter open.

By pulling the on/off cord the shutter opens and the fan operates. Pulling again, the shutter closes and the fan stops.

- Model HV-150 A

Features of the fan:

- 1- Fan stopped and shutter closed.
- 2- Fan stopped and shutter open.
- 3- Fan on and shutter open.

To operate all these functions use the electrical accessory CR-150.

It is made up of a switch (★) and an on/off isolator (ON-OFF).

The switch operates the fan:

- Position ★ : Fan on
 Position ☞ : Fan stopped (natural ventilation if the shutter is open)

The On/Off isolator operates the shutter

- ON: shutter open
 OFF: shutter closed

When the shutter is closed the fan cannot operate.

If the shutter is closed while the fan is operating, the fan will stop automatically.

Model HV-230 M

Models HV-230 A y HV-300 A

Features of the fans:

- 1- Fan stopped and shutter closed.
- 2- Fan on high speed working as air extract with shutter open (orange ★ pilot light on).
- 3- Fan on low speed working as air extract with shutter open (orange ★ and green ☞ pilot lights on).
- 4- Fan stopped and shutter open (green ☞ pilot light on).
- 5- Fan in reverse high speed supplying air in the room with shutter open (orange ★ pilot light on intermittently).

To operate these functions with the «A» models use the accessory CR-300.

It is made up of a four position contactor:

- 0 : Fan stopped and shutter closed.
- : Fan extracting on high speed and shutter open.
- : Fan extracting on low speed and shutter open.
- ☞☞ : Fan stopped and shutter open (natural ventilation) and an isolator (☞☞):
- ☞ : Fan extracting air.
- ☞ : Fan supplying air.

For the interconnection between the fan (HV-230 or HV-300) and the remote control CR-300 a 7-wires cable is available as an accessory.

1 CR-150: max. 5 HV-150

1 CR-300: max. 5 HV-230

1 CR-300: max. 5 HV-300

For using the fan only on high speed, extracting operation with shutter open: follow the diagram Fig. E.
 For using the fan only on high speed, supplying air operation with shutter open: follow the diagram Fig. F.

To get the same functions with the «M» model, operate the pullcord as follows:

- First pull: Fan extracting on high speed with shutter open.
- Second pull: Fan extracting on low speed with shutter open.
- Third pull: Fan stopped and shutter open (natural ventilation).
- Fourth pull: Fan stopped and shutter closed.

To reverse the direction of the air-flow, move the pullcord horizontally and repeat the above operations.

Do not reverse the direction of rotation of the fan while the fan is operating.