

# Shinhoo®

# GPA-IV Series

## Energy-saving Pipeline Canned Motor Pump

### Installation and Operation Manual



CE RoHS

## Notes:

01. Read the installation manual carefully before installation and use.
02. The manufacturer will not be liable for any personal injury, pump damage and other property damage due to failure to comply with contents specified in safety warning signs.
03. The installers and operators must comply with local safety regulations.
04. The user must confirm that only qualified personnel with professional certification and proficiency of this manual is allowed to install and maintain this product.
05. The pump must not be installed in a place that is damp or may be splashed by water.
06. For convenient access of maintenance, a shut-off valve shall be installed on each side of the pump
07. The power supply of the pump shall be cut off before installation and maintenance.
08. For domestic hot water, copper or stainless steel pump body shall be used.
09. Heat supply pipelines shall not be frequently filled with non-softened water so as to avoid increasing calcium in the circulating water inside the pipeline, which may thus block the impeller.
10. Do not start the pump without liquid.
11. Some models are not suitable for drinking water.
12. The liquid may be high-temperature and high-pressure; therefore, the liquid in the system must be completely drained or the shut-off valves on both sides must be closed before moving and dismantling the pump to prevent burning.
13. If removing the exhaust bolt, high-temperature and high-pressure liquid will be overflow. Therefore, it is necessary to insure that the outflow liquid will not cause personal injury or damage other parts.
14. Ventilation must be ensured in summer or high ambient temperature period to avoid condensation that may cause electrical malfunctions.
15. In winter, the pump system does not work or when the ambient temperature drops below 0°C, liquid in the system shall be completely drained so as to avoid frost cracking of pump body.
16. If the pump is left unused for a long time, please close the pipe valve in the inlet and outlet of the pump and cut off the power supply.
17. If the flexible cord of cable is damaged, it must be replaced by a qualified person.
18. Please close the valve at the inlet of the pump and cut off power of the pump immediately if overheating

and abnormality of motor is detected, and contact your vendor or service center immediately.

19. If trouble cannot be addressed according to the manual, please close the valves on the inlet and outlet of the pump immediately, cut off power supply and contact your vendor or service center immediately.
20. This product shall be put in a place out of reach of children. After installation, take an isolation measures to avoid access of children.
21. This product shall be stored in a dry, well ventilated and cool place under room temperature.
22. This appliance can be used by children aged from 8 years and above and persons with reduced physical, sensory or mental capabilities or lack of experience and knowledge if they have been given supervision or instruction concerning use of the appliance in a safe way and understand the hazards involved. Children shall not play with the appliance. Cleaning and user maintenance shall not be made by children without supervision.



### Warning

Before installation, you must carefully read the installation and operation manual. The installation and use of the equipment must comply with local regulation and applicable operation standards.



### Warning

Those who have weak physical strength, react slowly or lack experience and knowledge (including children) can use this motor pump only under the monitoring and direction of his/her safety personnel.

## 1. Signs



### Warning

Failure to comply with this safety instruction may lead to personal injury!

### Caution

Failure to comply with this safety instruction may lead to equipment malfunction or damage!

### Note

Note or instruction for easy and safe operations.

## 2. General

### 2.1. GPA-IV series circulation motor pump is mainly used in domestic heating and hot water system.

The product is most applicable to the following systems:

- Stable and variable-flow heat supply system
- Variable-temperature pipeline heat supply system
- HVAC system
- Industrial circulation system
- Domestic heating and domestic water supply system

This pump is equipped with permanent-magnet motor and differential pressure controller, capable of automatically & continuously adjusting motor performance to meet the actual needs of system.

This pump is equipped with control panel on the front for easy operation by users.

### 2.2. Advantages

Easy installation and start-up

- Provided with self-adaptive mode AUTO

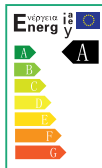
(Initial setting). In most cases, the motor pump needs no adjustment and can be readily started and automatically adjusted to meet the actual needs of the systems.

High-degree comfort

- Low operational noise of motor pump and whole system.

Low energy consumption

- Compared with traditional circulation motor pumps, it has lower energy consumption. GPA series circulation motor pump is attached with Europe Energy Label Class A marking, and the minimum energy consumption can reach up to 10W.



## 3. Operating Conditions

### 3.1. Ambient Temperature

Ambient temperature: 0 °C ~ +40 °C

### 3.2. Relative humidity ( RH ) :

Max. humidity: 95%

### 3.3. Medium (liquid delivery) temperature

Liquid delivery temperature: +2 °C ~ 110 °C

To avoid condensation in control box and the stator, the temperature of liquid pumped by the motor pump must be always higher than ambient temperature.

### 3.4. System Pressure

Maximum pressure 1.0Mpa(10bar).

### 3.5. Degree of Protection

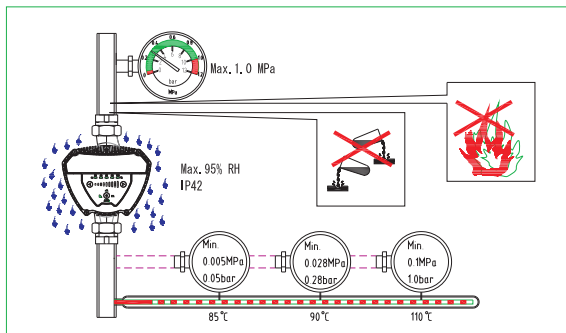
IP42

### 3.6. Inlet Pressure

Liquid Temperature	<85°C	90°C	110°C
Inlet Pressure	0.05bar	0.28bar	1bar
	0.5m head	2.8m head	10m head

### 3.7. Pumping Liquid

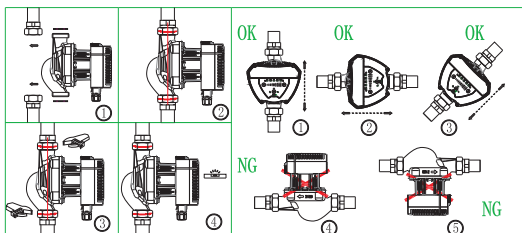
The pumping liquid includes thin, clean, non-corrosive and non-explosive liquid which shall not contain any solid particles, fiber or mineral oil, and the pump must definitely not be used to pump inflammable liquid such as rapeseed oil and gasoline. If the pump is used in a place with relatively high viscosity, the pump has lower performance. So when choosing a pump, the viscosity of liquid must be taken into account.



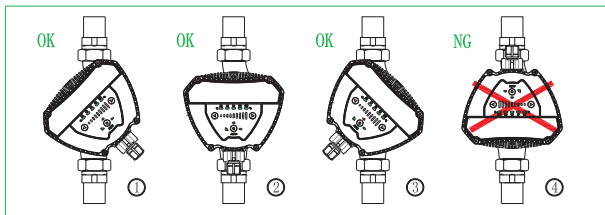
## 4. Installation

### 4.1 Installation

- When installing GPA -IV series circulating pump, the arrow on motor pump case indicates the flow direction of liquid through the pump.
- When installing the motor pump in the pipeline, two supplied gaskets must be installed at the inlet and outlet.
- During the installation, the shaft of motor pump must be horizontal.



## 4.2 Position of Junction Box

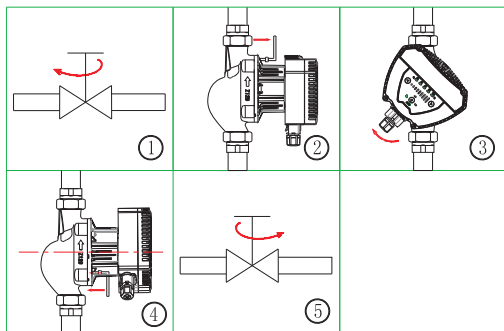


## 4.3 Changing Position of Junction Box

The junction box can be rotated in a step of  $45^\circ$

The procedure for changing the position of junction box are as follows:

1. Close the valves at the inlet and outlet and release the pressure;
2. Unscrew and remove the four socket head screws that fasten the pump body;
3. Rotate the motor to the expected position and align the four screw holes;
4. Install the four socket head screws again and fasten them clockwise;
5. Open the valves at the inlet and outlet.



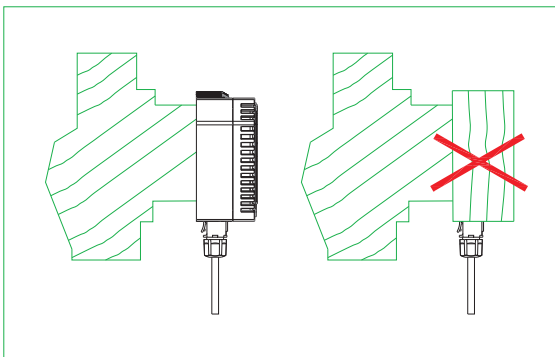
**Warning**

Pumping liquid may be high-temperature and high-pressure; therefore, the liquid in the system must be completely drained or the valves on both sides of motor pump must be closed before removing the socket head screws.

**Caution**

When changing the position of junction box, the motor pump can be started only after the system is filled with pumping liquid or the valves on both sides of motor pump are opened.

#### 4.4 Thermal Insulation of Motor Pump Body

**Note**

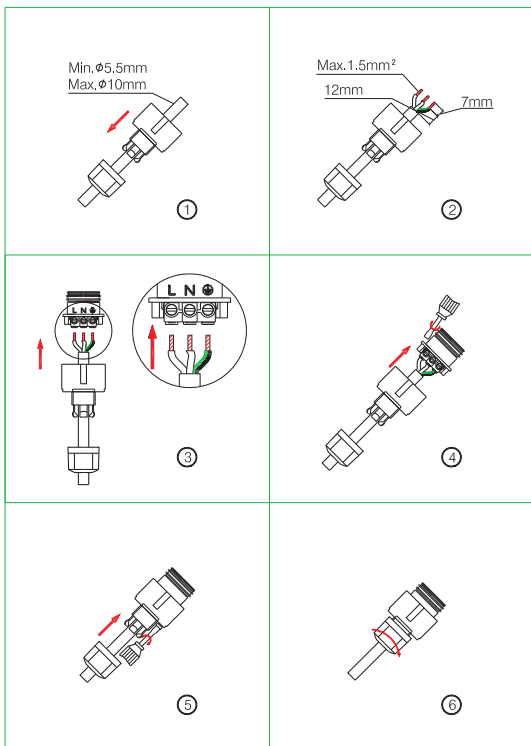
Limiting the heat loss of motor Pump body and pipeline.  
Motor pump body and pipeline should be thermally insulated to reduce their heat loss.

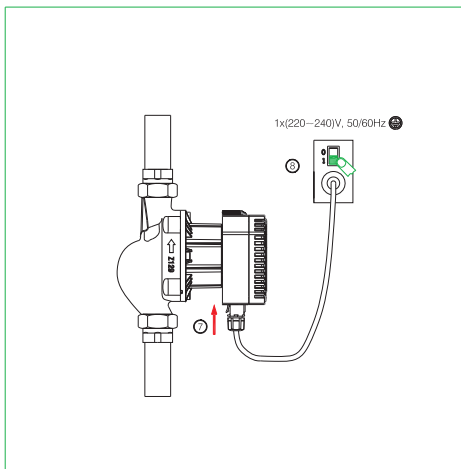
**Caution**

Do not isolate or cover the junction box and control panel.



## 5. Electrical Connection





Electrical connection and protection shall comply with local codes and norms.



#### Warning

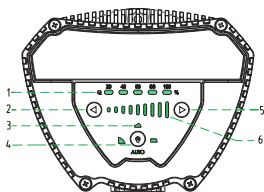
The motor pump must be earthed (⊕)

The motor pump must be connected to an external power switch, and the minimum space between all the electrodes is 3mm.

- GPA -IV series circulating motor pump needs no protection from external motor.
- Check if the supply voltage and frequency are the same as parameters indicated on the nameplate of the motor pump.
- Connect the motor pump and power supply with the plug supplied together with the pump.
- After the power is supplied, the indicator lamp on the control panel is ON.

## 6. Control Panel

### 6.1 Controls on Control Panel



Position	Descriptions
1	Flow during runtime
2	Speed reduce button
3	Lighting area indicating four operating mode
4	Setting button showing pump operating mode
5	Speed increase button
6	Lighting area display showing the speed

### 6.2 Troubleshooting

With power on, position 6 lighting area indicating the situation : Operating, speed area displaying light are always lit; with flashing lights indicating the pump problem, corresponding fault are as follows:

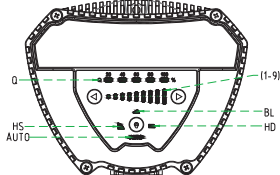
If malfunction is detected, the power supply must be cut off before trouble-shooting. After the trouble is addressed, re-connect the power and start the motor pump.

Fault Code	Description
Speed 1 flashing	Over-voltage protection
Speed 2 flashing	Under-voltage protection
Speed 3 flashing	Over-current protection
Speed 4 flashing	Missing phase protection
Speed 5 flashing	Locked-rotor protection
Speed 6 flashing	Under-load protection
Speed 7 flashing	Motor start failure protection (Motor parameters do not match)

### 6.3 Indication Lamp Area of Motor Pump Setting

GPA -IV series circulation pumps have 28 kinds of settings, pressing the button to choose.

13 different light area indicating all the settings;



Times to press the button	Lighting area	Description
0	AUTO(factory reset)	Autoadaptation
1	BL(1-9)	Proportional pressure curve
2	HD(1-9)	Constant pressure curve
3	HS(1-9)	Constant speed curve

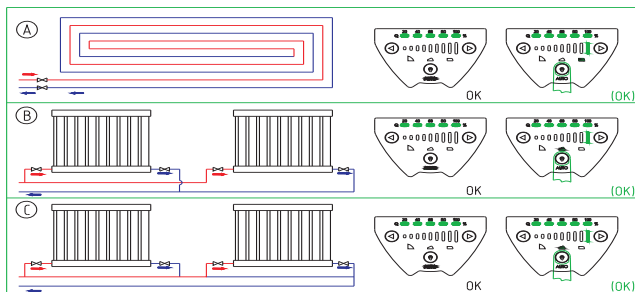
### 6.4 Button for selecting motor pump settings

By pressing the button once at 2 seconds interval, the motor pump setting mode will change once.

A cycle is constituted of every four presses on the button. For details, please refer to Section 6.3.

## 7. Motor Pump Setting

### 7.1 Motor Pump Setting Based on System Type



Initial setting= AUTO (Self-adaptive mode)

Recommended and available motor pump setting

Position	System Type	Motor Pump Setting	
		Recommended	Options
A	Floor heating system	AUTO	HD(1-9)
B	Dual pipeline heating system	AUTO	BL (1-9)
C	Single pipeline heating system	BL1	B L (1-9)

- AUTO (Self Adaptive Mode) mode can adjust the performance of motor pump based on the actual heat demand of the system. As the performance is adjusted gradually, it is suggested, before changing motor pump setting, to maintain AUTO (Automatically Adaptive Mode) mode setting for at least one week.

- If you select to change back to AUTO (Self Adaptive Mode) mode, the GPA series motor pump can memorize its last setting in AUTO mode and continue adjusting the performance automatically.

- It may take several minutes or even hours to reach the optimal operation mode after motor pump setting is changed from the optimal setting (the "Recommended above-mentioned") to other optional setting. If the optimal setting of motor pump fails to enable each room to obtain desired heat distribution, then you should change the motor pump setting to other settings

- Please refer to Section 12.1 for the relations between motor pump setting and performance curve.

## 7.2 Control of Motor Pump

When the motor pump is working, the motor pump is controlled according to the principle of "Proportional Pressure Control (BL)" or "Constant Pressure Control (HD)".

In these two control modes, the motor pump performance and corresponding power consumption will be regulated according to the heat demand of the system.

### Proportional Pressure Control

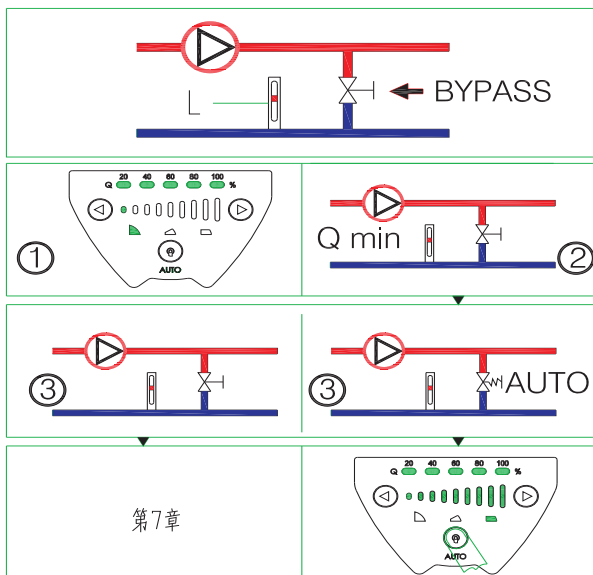
In this control mode, the differential pressure of both ends of the motor pump will be controlled by the flow rate. In the Q/H Figure, proportional pressure curve is represented with BL(1-9). Please refer to Section 11.3.

### Constant Pressure Control:

In this control mode, the differential pressure of both ends of the motor pump remains constant and is irrelevant to the flow rate. In the Q/H Figure, constant pressure curve is a horizontal performance curve represented with HD1(1-9). Please refer to Section 11.3.

## 8. Bypass valve system installed between the Inlet pipeline and return pipeline

### 8.1 Purposes of bypass valve



#### Bypass valve

The purpose of bypass valve: when all the valves and/or temperature-sensing valves of heat radiator in the floor heating loop are closed, it can ensure that the heat from boiler can be distributed.

Elements in the system:

- bypass valve
- flow meter, position L.

When all valves are closed, the minimum flow rate must be guaranteed. The setting of pump position depends on the type of bypass valve, i.e. manual bypass valve or temperature-sensing bypass valve.

## 8.2 Manually-operated Bypass Valve

**In accordance with the following procedures**

- 1、 Adjust the by-pass valve, pump should be set on HS1 ( Constant speed I) The minimum flow rate ( Q min ) of the system shall be always guaranteed. Please refer to bypass valve manual provided by the manufacturer.
- 2、 After the regulating of bypass valve completes, set the pump in accordance with Section 10.1 of Pump Setting.

## 8.3 Automatic Bypass Valve (temperature-sensing type)

Follow the following procedures:

- 1、 Adjust the by-pass valve, pump should be set on HS1 ( Constant speed I) The minimum flow rate ( Q min ) of the system shall be always guaranteed. Please refer to bypass valve manual provided by the manufacturer.
- 2、 After the regulating of bypass valve completes, set the pump to lowest or highest constant pressure mode. For the relations between pump setting and performance curve, please refer to Section 10.1 of Pump Setting and Pump Performance.

# 9.Start up

## 9.1 Before Start Up

Before starting the motor pump, ensure that the system is filled with liquid, air has been completely exhausted, and the inlet of motor pump must reach minimum inlet pressure. Please refer to Chapter 3.

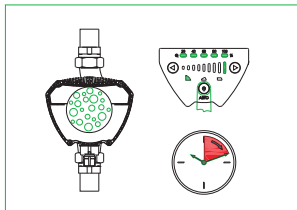
## 9.2 Exhaust the Motor Pump

GPA-IV series motor pump is equipped with self-venting function. Before the start up, it is not necessary to vent the air. Air in the motor pump may cause noise. After the motor pump is put into operation for several minutes, the noise will disappear.

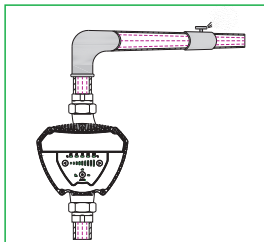
Based on the system scale and structure, set the GPA series motor pump to Hs9 (Constant speed 9) for a short period of time and air in the pump can be quickly vented.

After air is vented from the motor pump and noise disappear, set the motor pump in accordance with the manual. Please refer to Chapter 7.

**Caution** Motor pump cannot run in idle speed without pumping liquid.

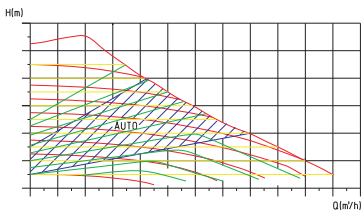
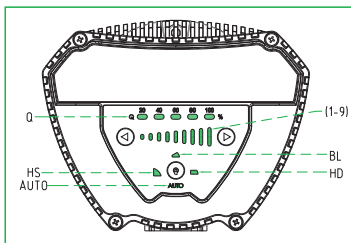


### 9.3 Vent the heating system



## 10. Motor Pump Setting and Performance

### 10.1 Relations between Motor Pump Setting and Performance



Note: The red curve stands for constant speed gear (from 1 to 9), the shadow area of blue one is automatic gear, the green one is ratio gear (from 1 to 9), and the yellow one is constant pressure gear (from 1 to 9)



Setting	Pump Characteristics Curve	Functions
AUTO ( Initial Setting )	Highest to Lowest Proportional Pressure Curve	AUTO function will automatically control the pump performance within the specified scope. <ul style="list-style-type: none"> <li>· adjust pump performance based on system scale;</li> <li>· adjust pump performance based on load variance within a period of time;</li> </ul> Under the AUTO mode, the pump will be set to proportional pressure control;
BL ( 1-9 )	Proportional Pressure Curve	The operating point of the pump will move up and down on the lowest proportional pressure curve based on the demand of system flow rate. When flow demand decreases, the pressure supply of pump drops; when flow demand increases, the pressure supply of pump rises.
HD ( 1-9 )	Constant Pressure Curve	The operation point of the pump will move around the constant pressure curve based on the demand of system flow rate. The head (pressure) is kept constant, regardless of the flow request..
HS ( 1-9 )	Constant speed curve	It runs on the constant curve in a constant velocity. Under the Velocity HS(1-9) mode, the pump is set to work on the highest curve under all working conditions. Set under HS9 mode in a short time, fast venting can be arranged on the pump.
Q ( 0-100% )	Flow display	Indicating the flow percentage when pump is running

## 11. Performance Curve

### 11.1 Guide on Performance Curve

Every setting of the motor pump has corresponding performance curve (Q/H curve). However AUTO (Self Adaptive Mode) mode covers just one performance scope.

The input power curve (P1 curve) belongs to every Q/H curve. Power curve represents the power consumption of motor pump in given Q/H curve with Watt as the unit.

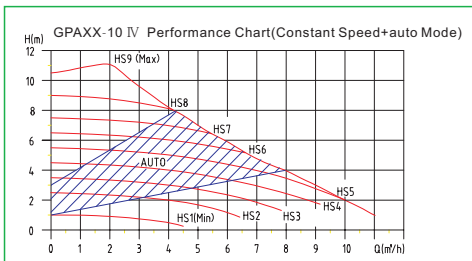
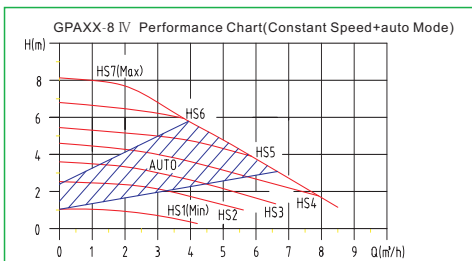
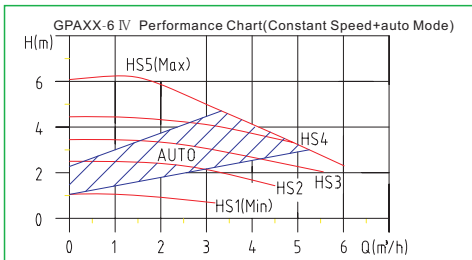
### 11.2 Curve conditions

The followings are applicable to the performance curve specified in the GPA IV series manual:

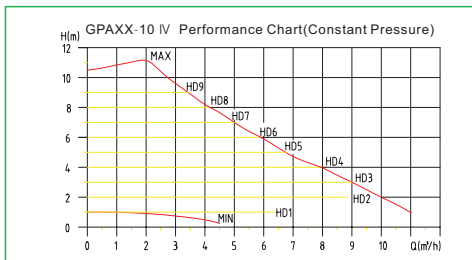
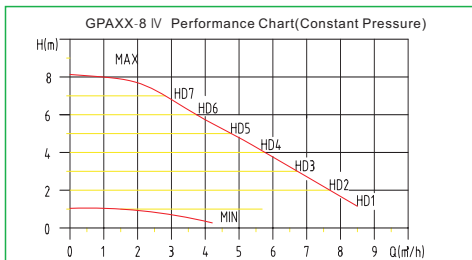
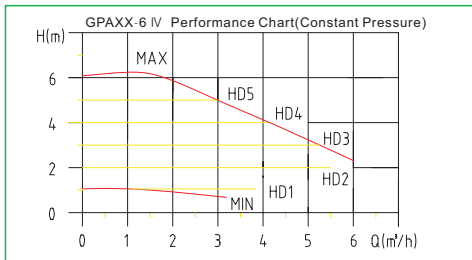
- Test liquid: air-free water.
- Applicable density of curve  $\rho=983.2 \text{ kg/m}^3$ , and liquid temperature  $+60^\circ\text{C}$ .
- All curves represent averaged value, and shall not be used as guarantee curve. If a specific performance is needed, then separate measuring shall be conducted.
- The applicable Kinetic viscosity of the curve  $\nu=0.474 \text{ mm}^2/\text{s}$  ( 0.474CcST )

### 11.3 Performance Curve GPA -IV Series

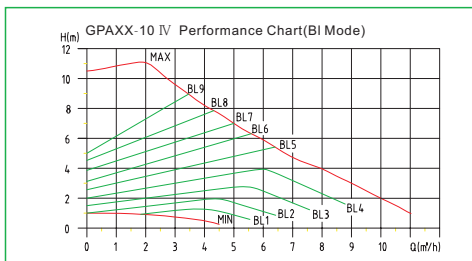
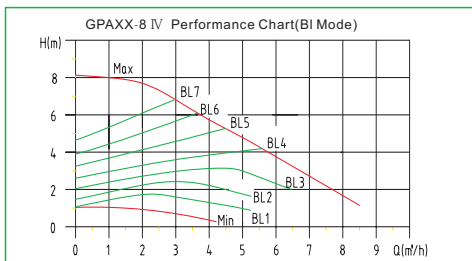
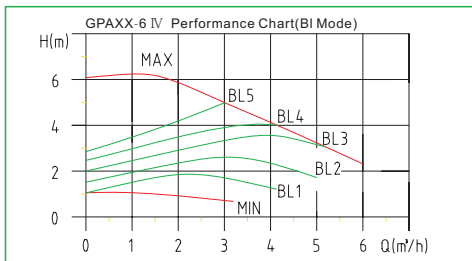
• Constant speed & AUTO mode performance curve



• Constant pressure mode performance curve

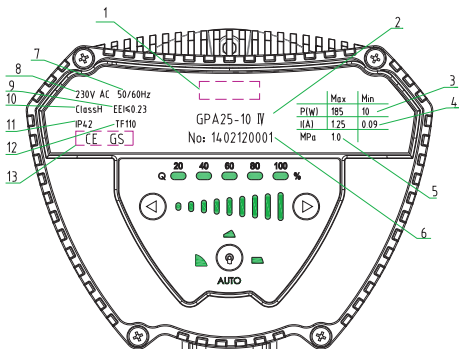


• Proportional pressure performance curve



## 12.Features

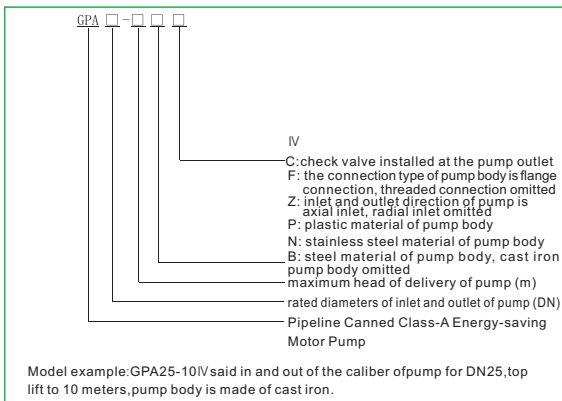
### 12.1 Nameplate Instructions



No.	Descriptions	
1	Manufacturer Name	
2	Product Model	
3	Power Watt	Minimum mode minimum input power P1 Maximum mode maximum input power P1
4	Current Amp	Minimum mode minimum current Maximum mode maximum current
5	Maximum system load bearing (Mpa)	
6	Date No.	Digit 1 to digit 6 indicates manufacturing date Digit seven to digit ten indicates serial number
7	Frequency (Hz)	
8	Voltage (v)	
9	Energy Index	
10	Insulation class	
11	Degree of protection	
12	Temperature class	
13	Authentication mark	
14	Direction of rotation	

## 12.2 Model Instructions

the model of motor pump is composed of capitalized Latin letters and Arabic numbers, which means:



## 13. Technical Parameters and Installation Dimensions

### 13.1 Technical Parameters

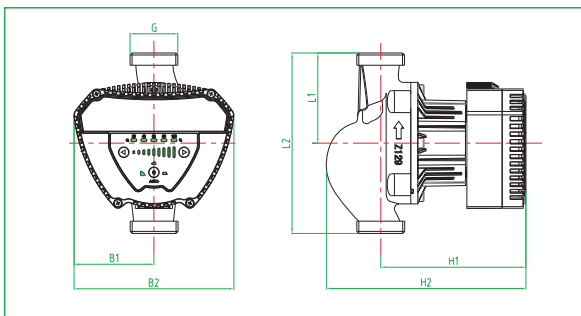
Power Supply Voltage	1x(220~240V)V,50/60Hz	
Motor Protection	The pump needs no external protection	
Degree of Protection	IP42	
Insulation Class	H	
Relative Humidity ( RH )	Max95%	
System Load Bearing	1.0 MPa	
Suction Port Pressure	Liquid Temperature	Minimum Inlet Pressure
	≤ +85℃	0.005 Mpa
	≤ +90℃	0.028 Mpa
	≤ +110℃	0.100 MPa
EMC Standard	EN61000-6-1 and EN61000-6-3	
Sound Pressure Class	The sound pressure level of pump is lower than 43dB ( A )	
Ambient Temperature	0 ~ +40℃	
Temperature Grade	TF110	
Surface Temperature	The maximum surface temperature is not higher than +125℃	
Liquid Temperature	+2 ~ +110℃	

To prevent condensation in the junction box and rotor, the temperature of pumping liquid of the motor pump must be always higher than ambient temperature.

Ambient Temperature(℃)	Liquid Temperature	
	Min. ( ℃ )	Max. ( ℃ )
0	2	110
10	10	110
20	20	110
30	30	110
35	35	90
40	40	70

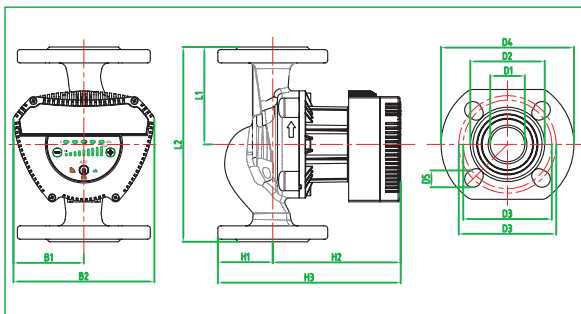
For domestic hot water, it is suggested that water temperature should remain below 65℃ to reduce scaling.

## 13.2 Installation Dimensions



Power (W)	Model	Material			Dimension						
		Castiron	Stainless steel	Copper	L1	L2	B1	B2	H1	H2	G
90	GPA25-6 IV	●	●	●	90	180	80	160	144	199	11/2"
	GPA32-6 IV	●	●	●	90	180	80	160	144	199	2"
130	GPA25-8 IV	●	●	●	90	180	80	160	144	199	11/2"
	GPA32-8 IV	●	●	●	90	180	80	160	144	199	2"
185	GPA25-10 IV	●	●	●	90	180	80	160	144	199	11/2"
	GPA32-10 IV	●	●	●	90	180	80	160	144	199	2"





Power (W)	Model	Material	Dimension												
		Castron	L1	L2	B1	B2	H1	H2	H3	D1	D2	D3	D4	D5	
90	GPA32-6F IV	●	110	220	80	160	55	144	199	32	76	90/100	140	19	
	GPA40-6F IV	●	110	220	80	160	62	144	206	40	84	100/110	150	19	
130	GPA32-8F IV	●	110	220	80	160	55	144	199	32	76	90/100	140	19	
	GPA40-8F IV	●	110	220	80	160	62	144	206	40	84	100/110	150	19	
185	GPA32-10F IV	●	110	220	80	160	55	144	199	32	76	90/100	140	19	
	GPA40-10F IV	●	110	220	80	160	62	144	206	40	84	100/110	150	19	

## 14. Trouble-Shooting Schedule



### Warning

Before conducting any maintenance and repair of the motor pump, ensure that power supply has been cut off and will not be connected accidentally.

Symptom	Control Panel	Cause	Corrective Action
Motor pump cannot be started	Indication lamp "Off"	Equipment fuse burned	Replace the fuse
		The circuit breaker of current control or voltage control opens	Connect the circuit breaker
		Failure of motor pump	Return to factory maintenance
	Speed 1 flashing	High voltage	Check whether power supply is in specified range
	Speed 2 flashing	Under voltage	Check whether power supply is in specified range
	Speed 3 flashing	PCB component failure or motor failure	Return to factory maintenance
	Speed 4 flashing	Missing phase protection	Return to factory maintenance
	Speed 5 flashing	Rotor blocked	Remove the pump housing and clean the rotor
	Speed 6 flashing	No water in the pump	Open the valve and supply water to the pump
Speed 7 flashing	Motor resistance parameters do not match	Return to factory maintenance	
Noise in the system	Indicating one value	Air exists in the system	Vent the system
		Excessively high flow rate	Lower inlet pressure of the motor pump
Noise in the motor pump	Indicating one value	Air exists in the motor pump	Vent the system
		Excessively low inlet pressure	Increase inlet pressure
Insufficient heat	Indicating one value	Poor performance of motor pump	Increase inlet pressure of motor pump

## Product Warranty

Hefei Xihu Canned Motor Pump Co., Ltd offers 12 months of quality warranty for its products since the date of sales, and is responsible for product malfunctions or damaged due to manufacturing and material defects. This warranty is valid only when the product is installed strictly in accordance with Xihu installation and operation manual and certified operation practices.

This warranty is not applicable to product malfunctions or damage due to ① use in any other purpose other than that recommended by Xihu company; ② failure of compliance with Xihu installation and operation manual in the use of product; ③ inappropriate repair or moving of the product; ④ dismantling the product and/or replacing parts by themselves.

Any product supplied but not manufactured by Hefei Xihu Canned Motor Pump Co., Ltd shall comply with the quality warranty terms and conditions specified by its manufacturer.

During the warranty period, the user can have the product repaired with purchase invoice and warranty card. Please deliver or send the product to your vendor or designated repair center of Hefei Xihu Canned Motor Pump Co., Ltd for repair. Hefei Xihu Canned Motor Pump Co., Ltd can decide whether to offer free home repair according to the local repair policies. The repair of parts and components within warranty period is free of charges.

Hefei Xihu Canned Motor Pump Co., Ltd does not accept claims for damages due to third party liability or malfunctions caused by products of other companies.

Hefei Xihu Canned Motor Pump Co., Ltd will not be liable for product malfunctions or damage due to abnormal operation conditions, war, riot, wind (rain) storm, disaster or other force majeure.

Hefei Xihu Canned Motor Pump Co., Ltd reserves the right to interpret any matters unmentioned in this product warranty.