

**DAIKIN**

INSTALLATION MANUAL

**Model:**

UATYQ250MCY17
UATYQ350MCY17
UATYQ450MCY17
UATYQ550MCY17
UATYQ600MCY17
UATYQ700MCY17
UATYQ900MCY17

Installation Manual
Rooftop Package Units

English

Installationshandbuch
Kompaktanlage Für Dachmontage

Deutsch

Manuel D'installation
Conditionneurs D'air En Toiture

Français

Installatiehandboek
Compactsysteem Voor Dakmontage

Nederlands

Manual De Instalación
Unidades Del Conjunto Del Tejado

Español

Manuale Di Installazione
Unità A Pacchetto Per Installazione Sul Tetto

Italiano

Εγχειρίδιο εγκατάστασης
Αυτόνομες μονάδες στέγης

Ελληνικά

Manual De Instalação
Unidades De Conjuntos De Telhado

Português

Руководство По Установке
Компактные Установки Для Кондиционирования
Воздуха, Монтируемые На Крыше Здания

Русский

Instrukcja instalacji
Urządzenia dachowe (typu „rooftop”)

Polski

Kurulum kılavuzu
Çatı Tipi Ambalaj Üniteleri

Türkçe

Installationsmanual
Paketenheter för Takovansidor

Svenska

(Applicable to certified models only)

IM-5RTBR-0710(9)-DAIKIN (DENV)
Part No.: R08019035377I

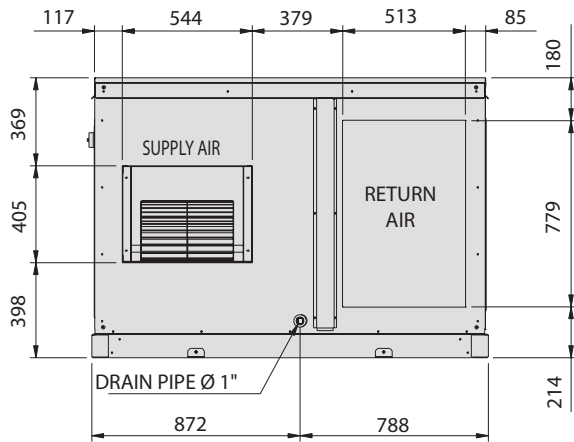
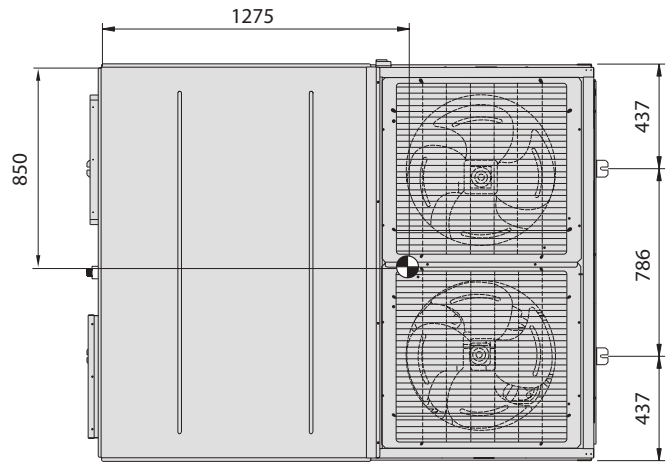
OUTLINE AND DIMENSIONS

Model: UATYQ250

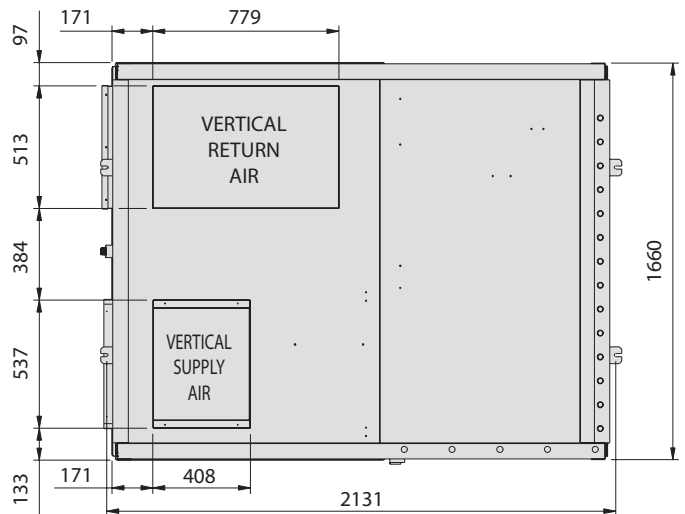
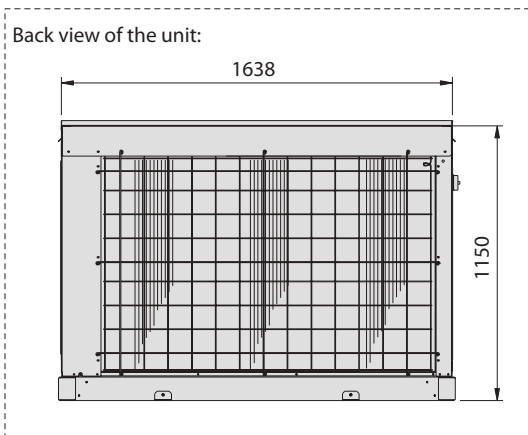
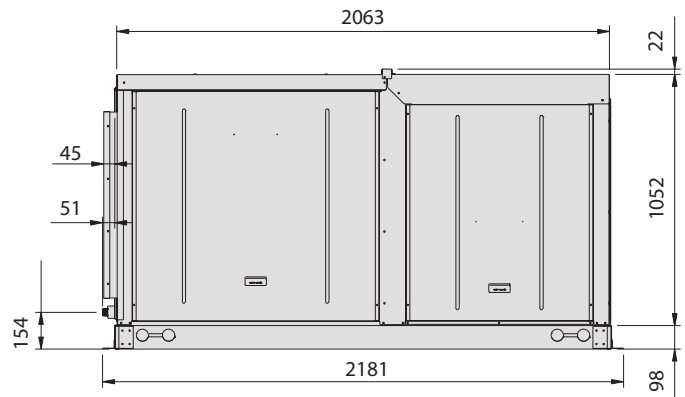
ENGLISH

Original Instruction

All dimensions are in mm



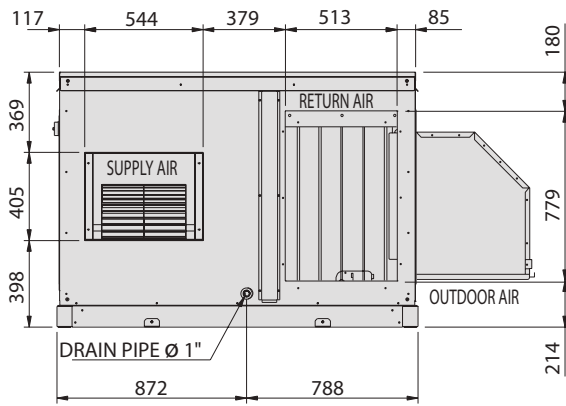
FOR HORIZONTAL DISCHARGE



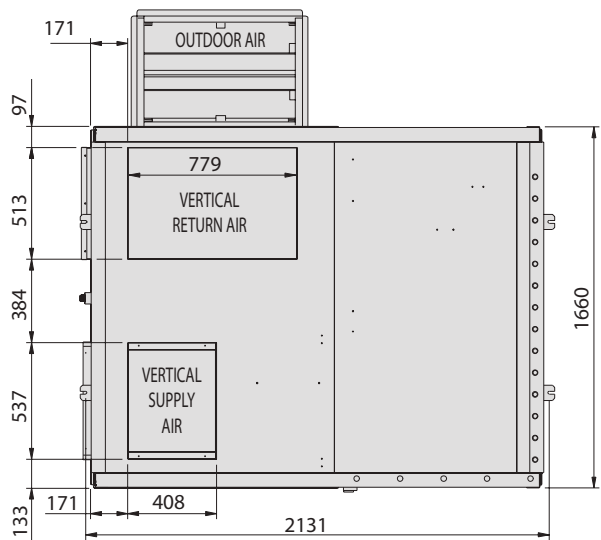
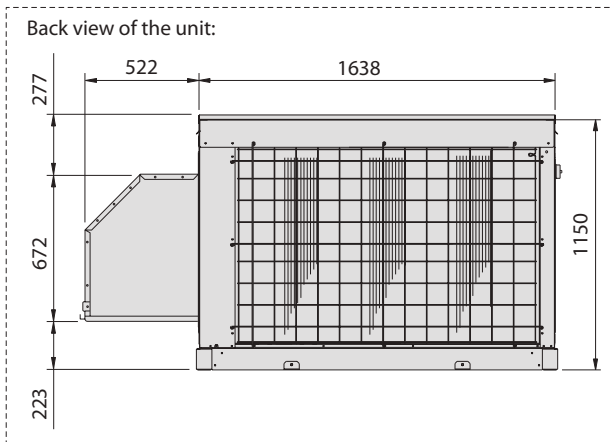
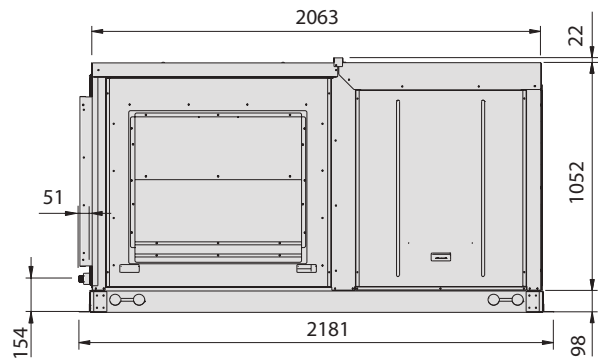
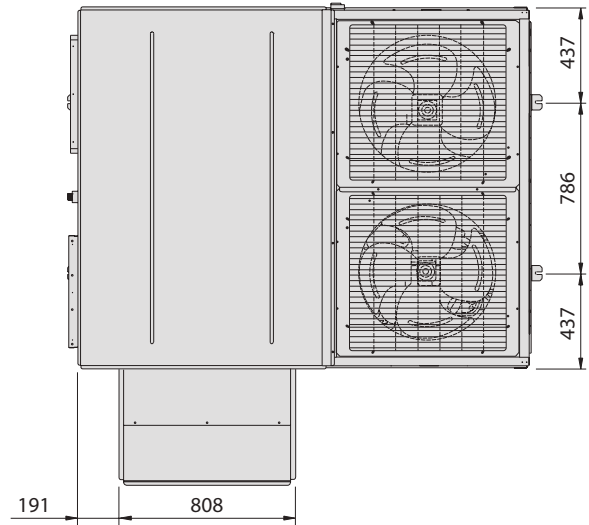
FOR VERTICAL DISCHARGE

Model: UATYQ250 WITH ECONOMIZER OPTION

All dimensions are in mm

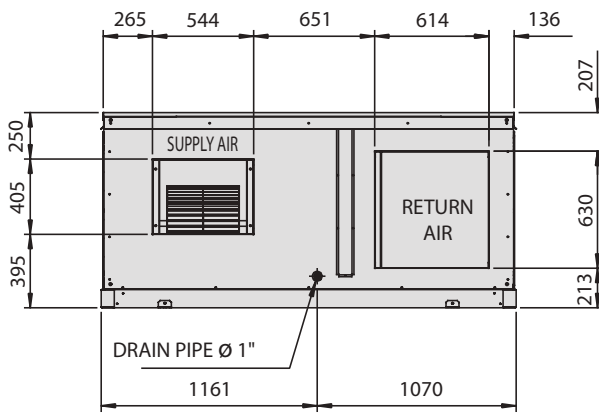
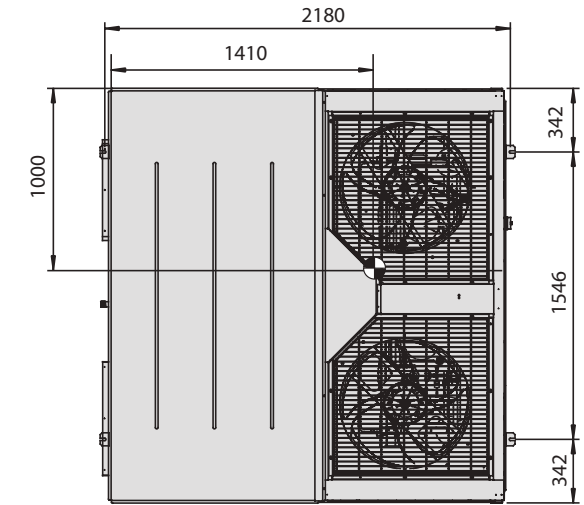


FOR HORIZONTAL DISCHARGE

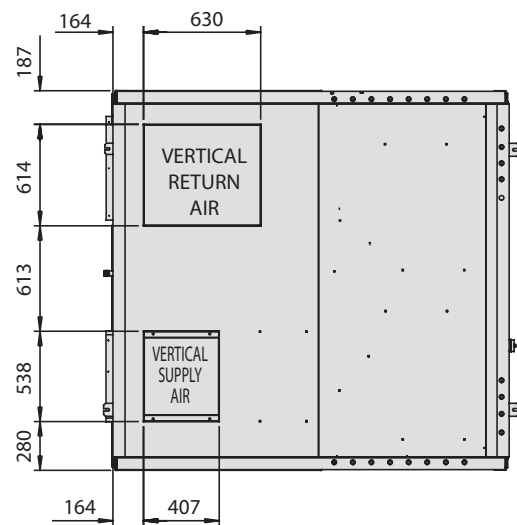
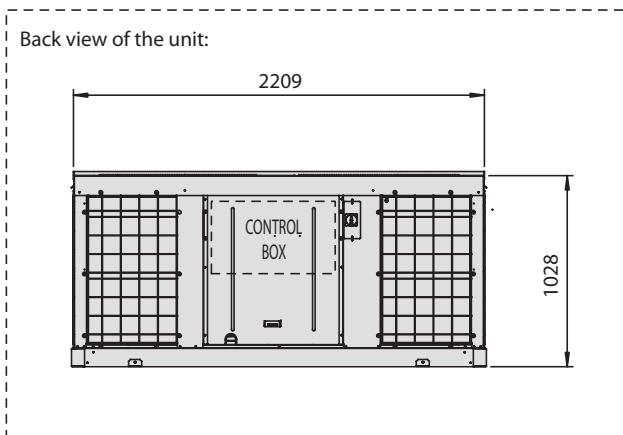
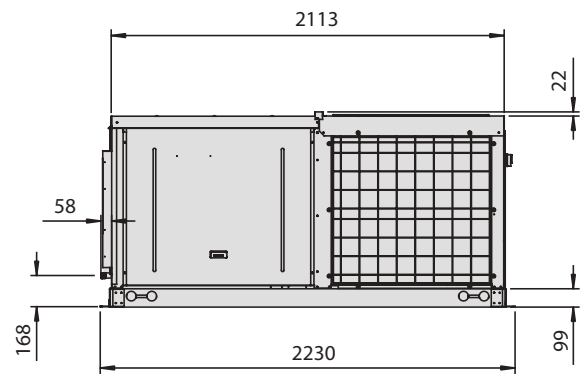


FOR VERTICAL DISCHARGE

All dimensions are in mm



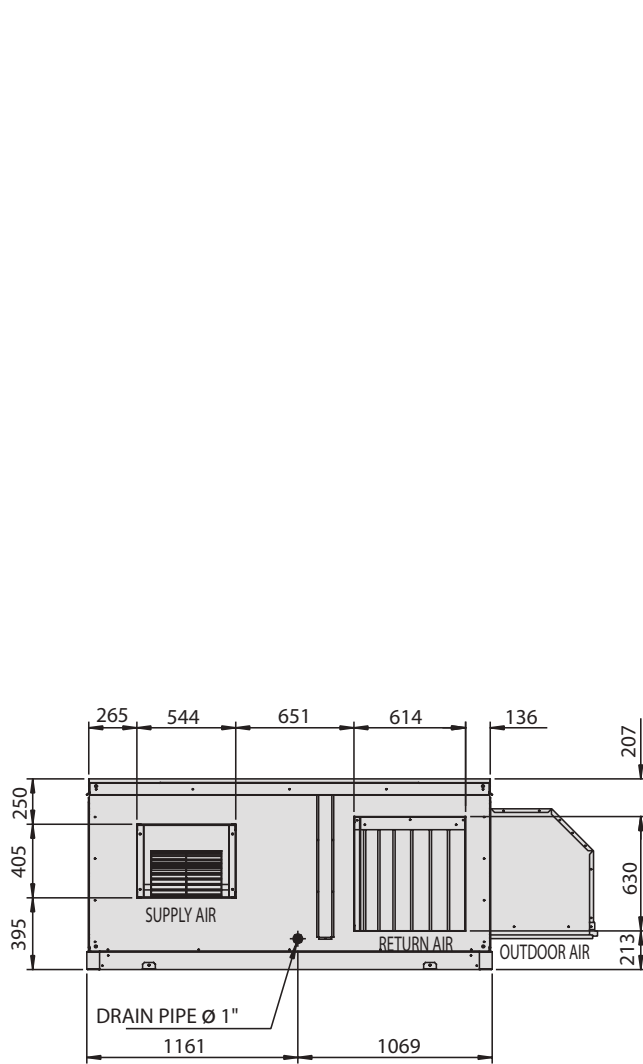
FOR HORIZONTAL DISCHARGE



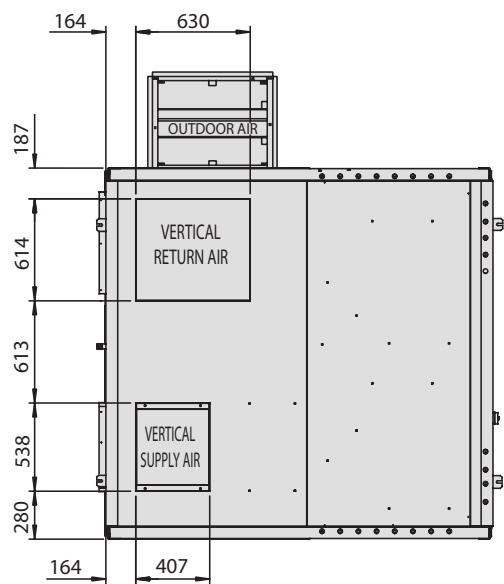
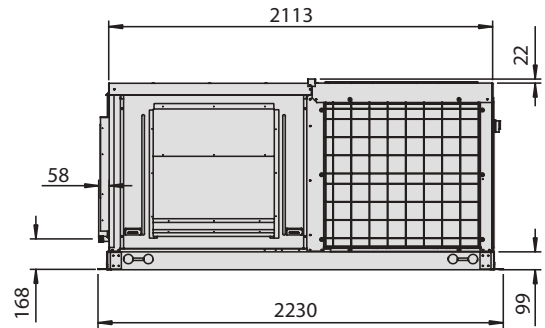
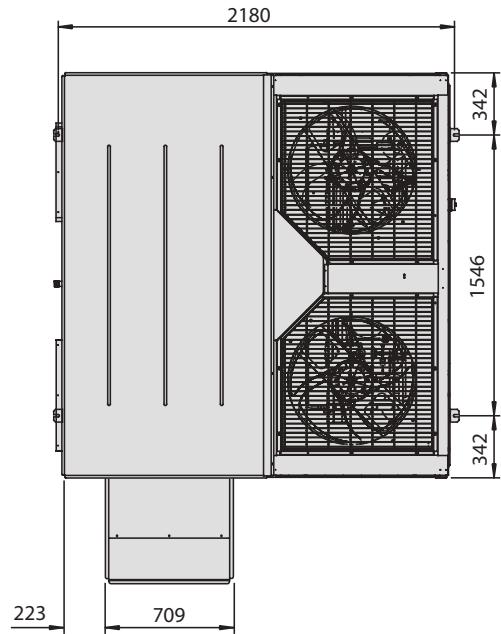
FOR VERTICAL DISCHARGE

Model: UATYQ350 WITH ECONOMIZER OPTION

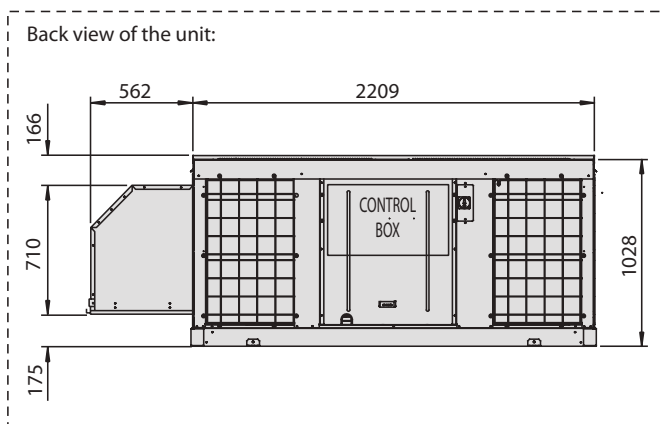
All dimensions are in mm



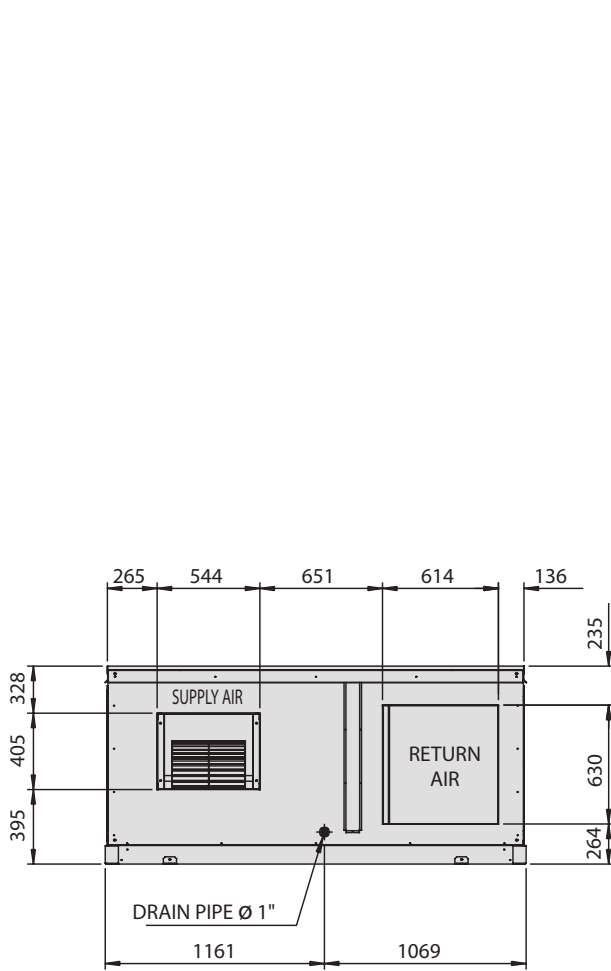
FOR HORIZONTAL DISCHARGE



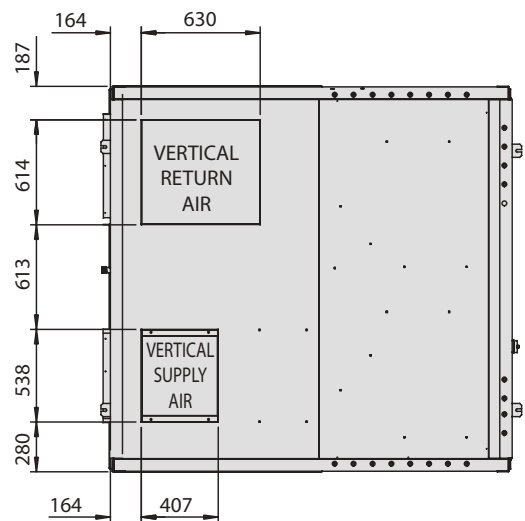
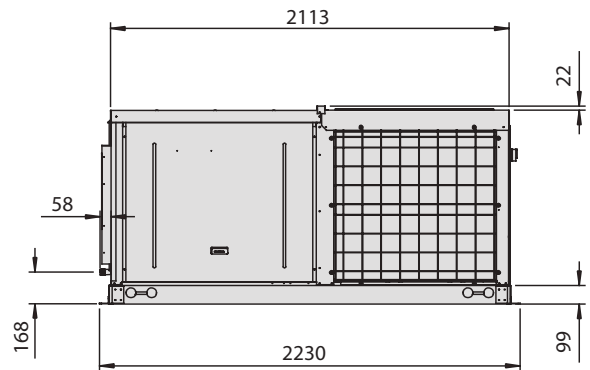
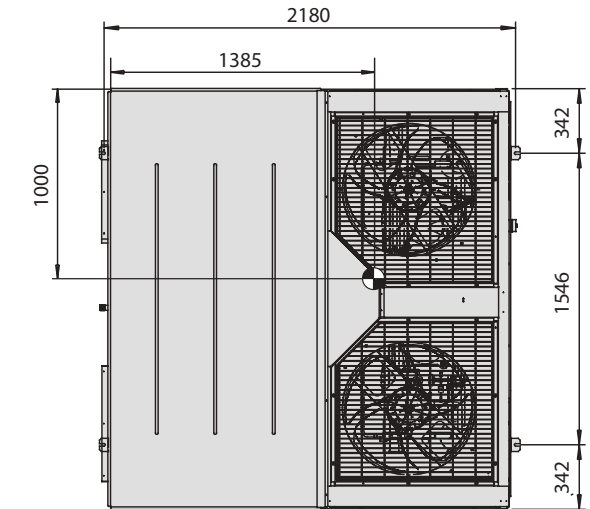
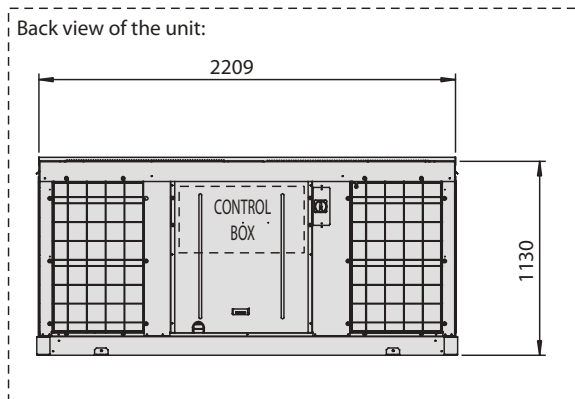
FOR VERTICAL DISCHARGE



All dimensions are in mm



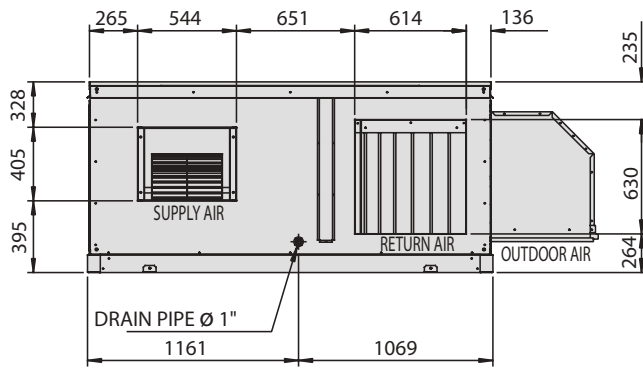
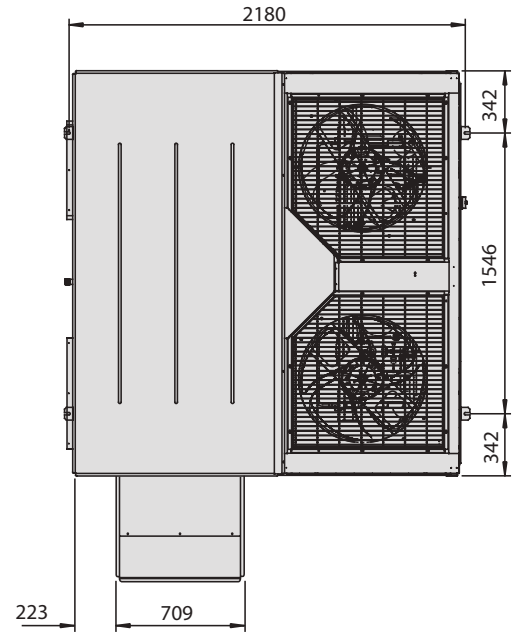
FOR HORIZONTAL DISCHARGE



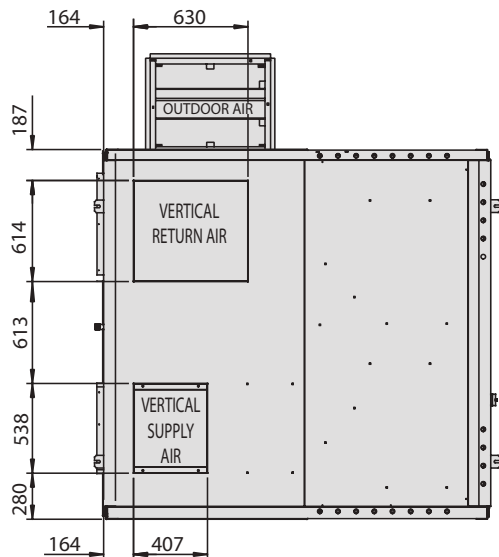
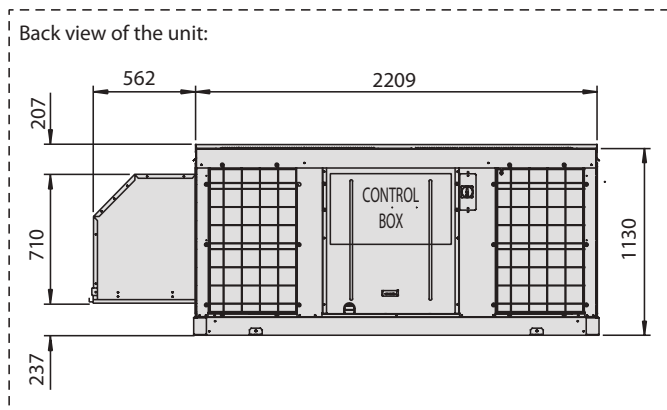
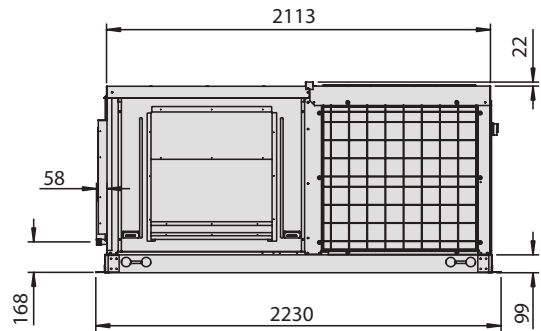
FOR VERTICAL DISCHARGE

Model: UATYQ450 WITH ECONOMIZER OPTION

All dimensions are in mm

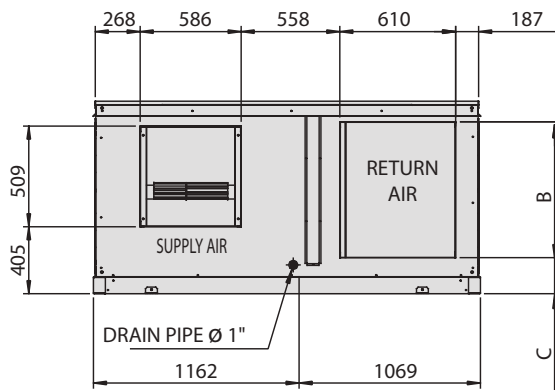
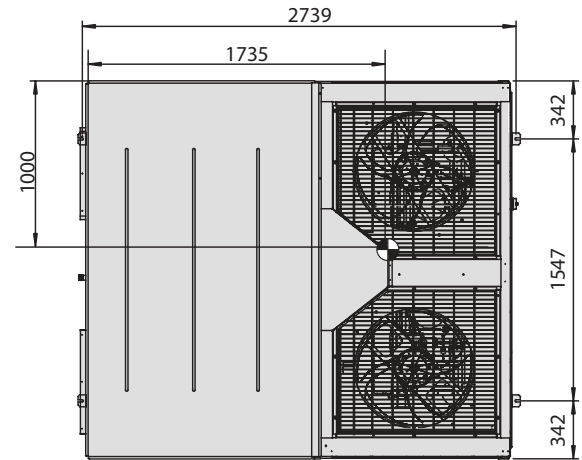


FOR HORIZONTAL DISCHARGE

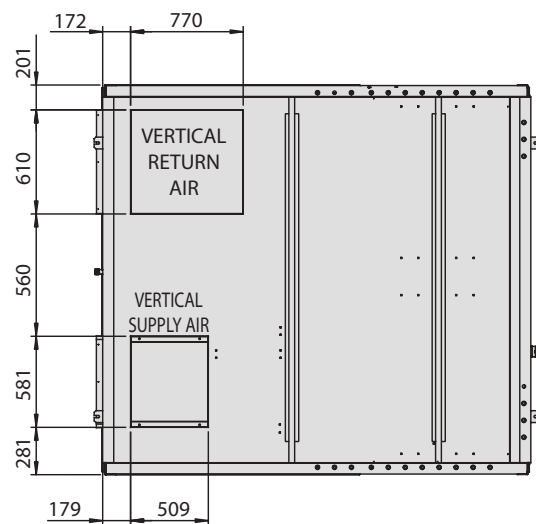
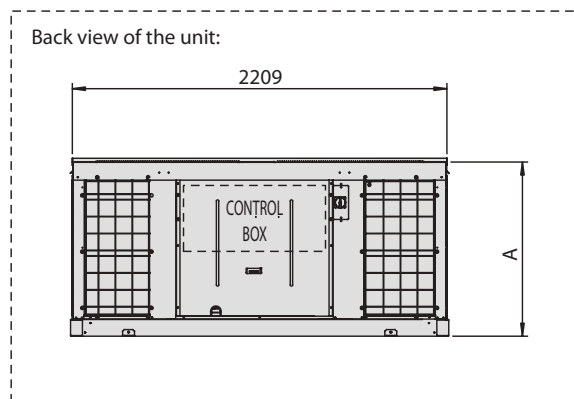
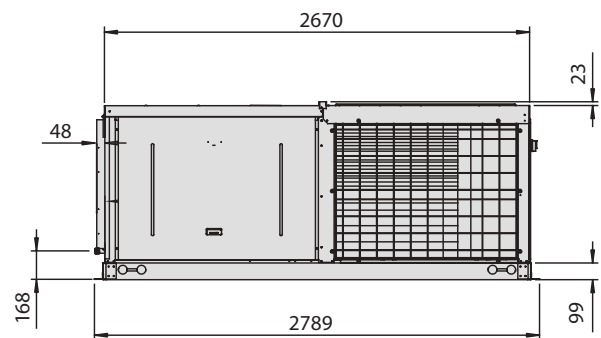


FOR VERTICAL DISCHARGE

All dimensions are in mm



FOR HORIZONTAL DISCHARGE



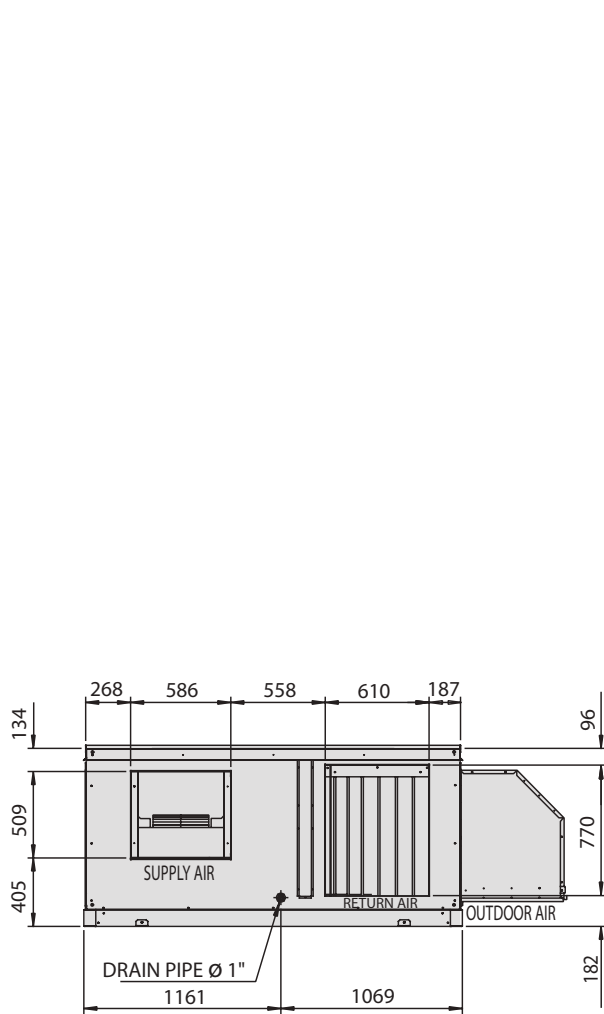
FOR VERTICAL DISCHARGE

Model (UATYQ)	550	600	700	900
A	1048	1302	1454	1454
B	770	770	1176	1176
C	182	322	182	182

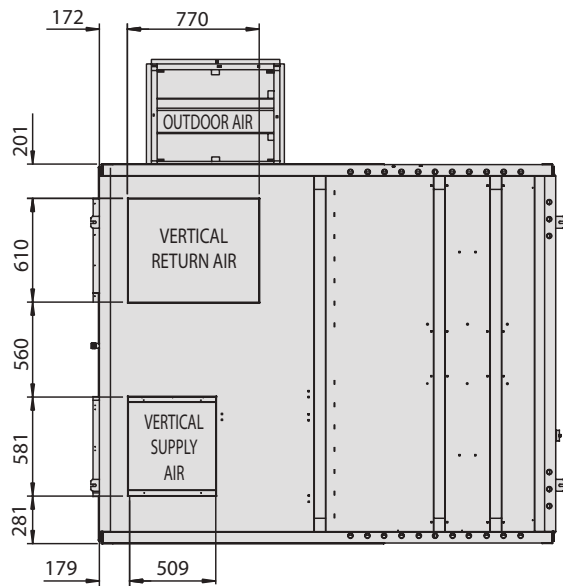
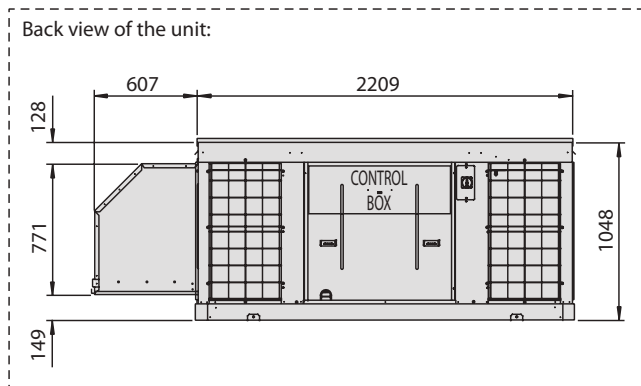
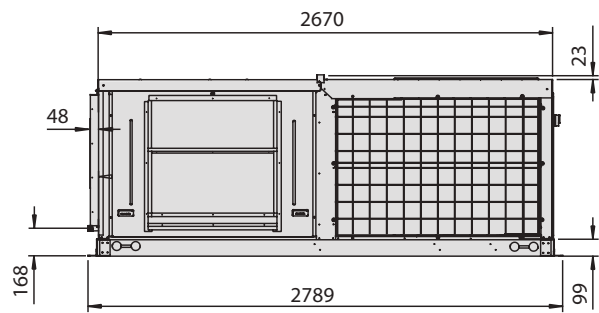
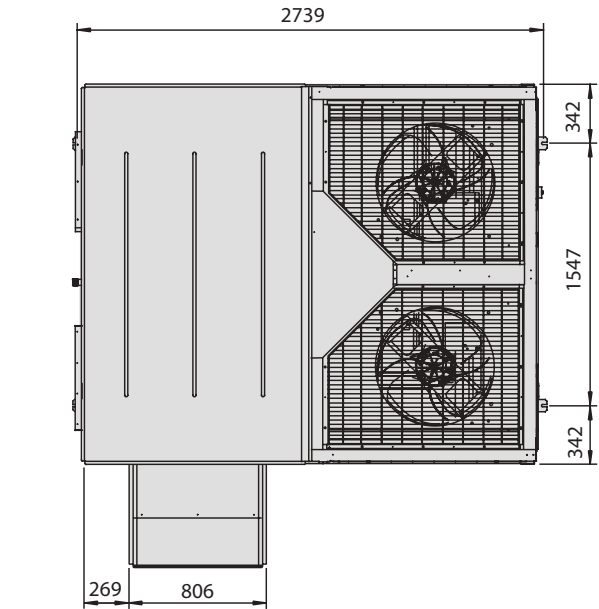
CENTER OF GRAVITY

Model: UATYQ550 WITH ECONOMIZER OPTION

All dimensions are in mm

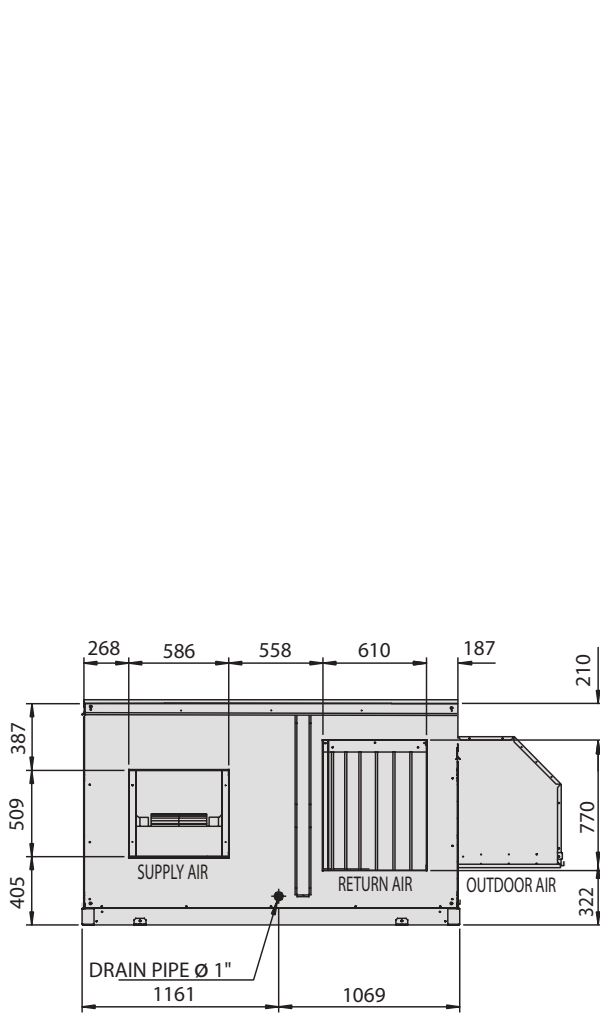


FOR HORIZONTAL DISCHARGE

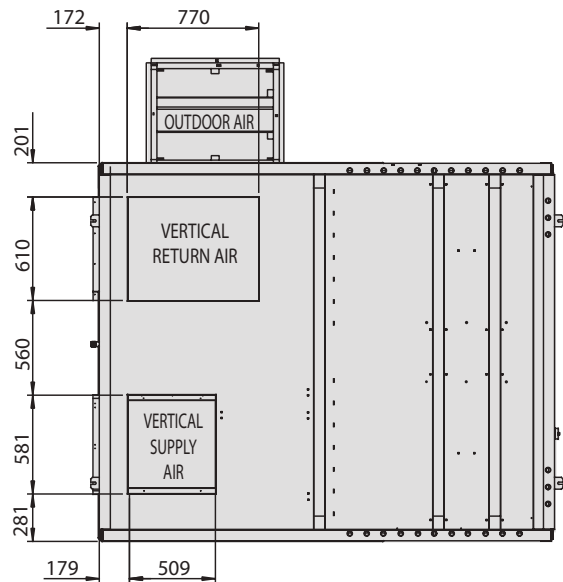
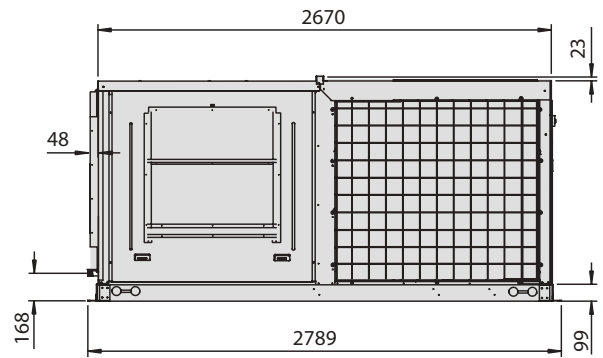
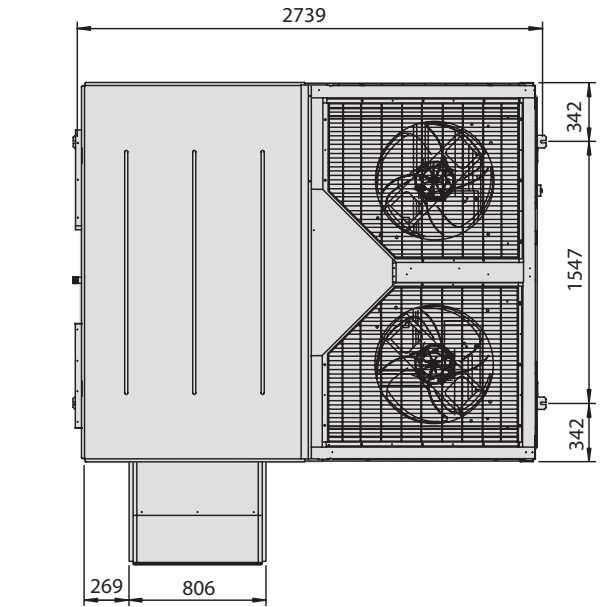
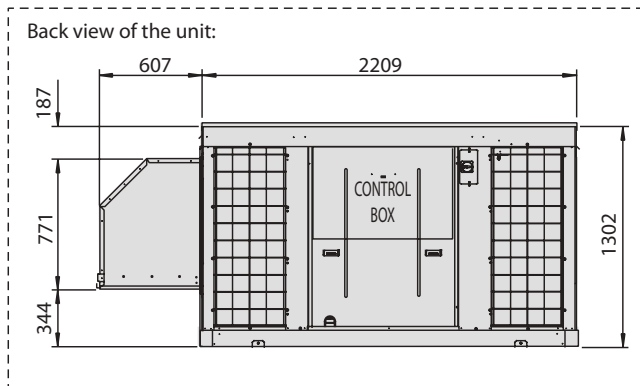


FOR VERTICAL DISCHARGE

All dimensions are in mm



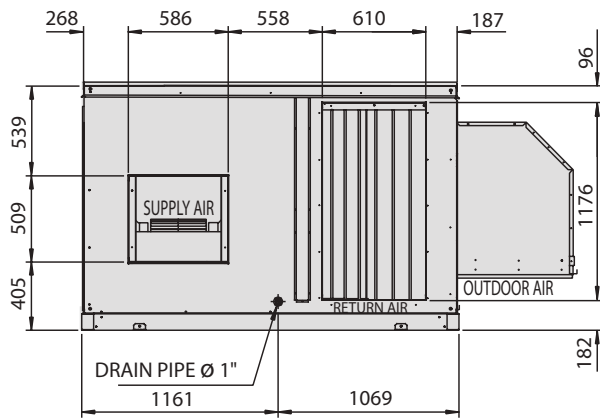
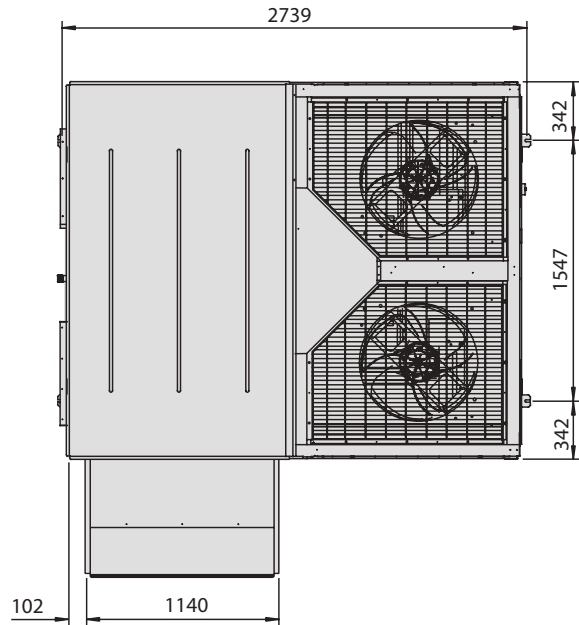
FOR HORIZONTAL DISCHARGE



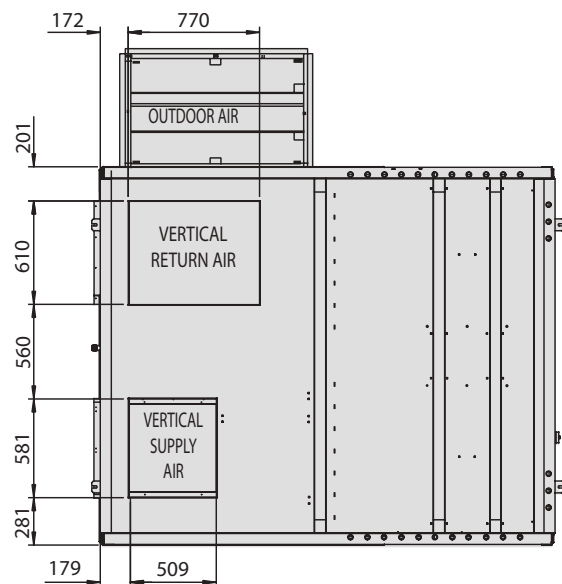
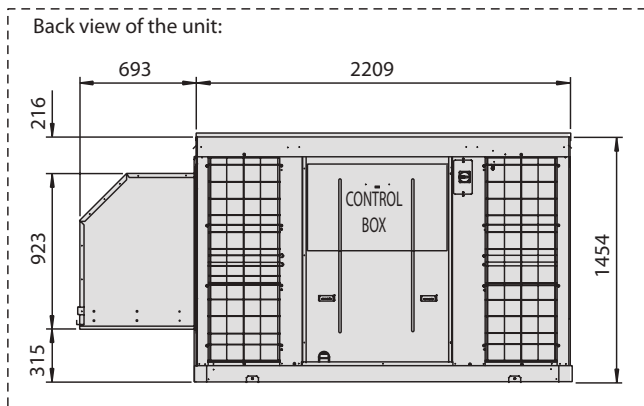
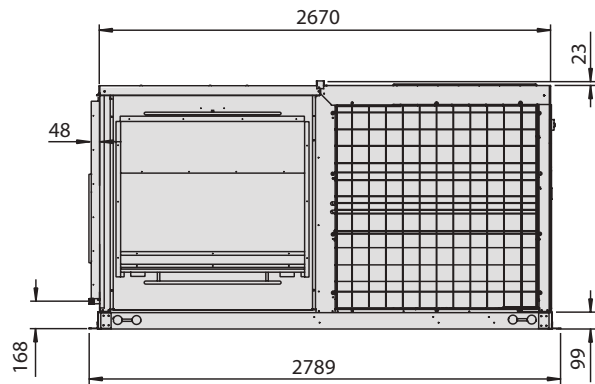
FOR VERTICAL DISCHARGE

Model: UATYQ700 WITH ECONOMIZER OPTION

All dimensions are in mm

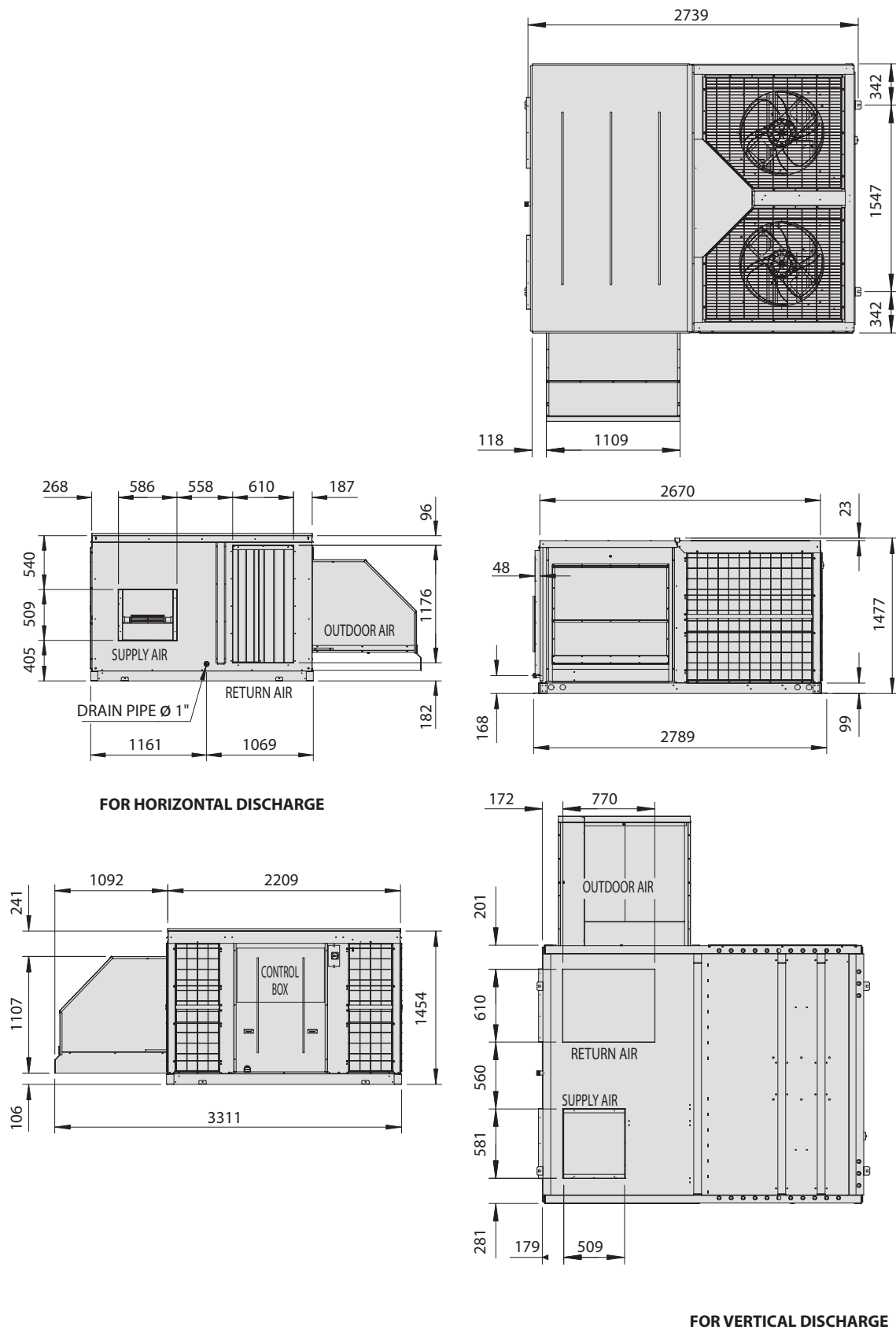


FOR HORIZONTAL DISCHARGE



FOR VERTICAL DISCHARGE

All dimensions are in mm



FOR HORIZONTAL DISCHARGE

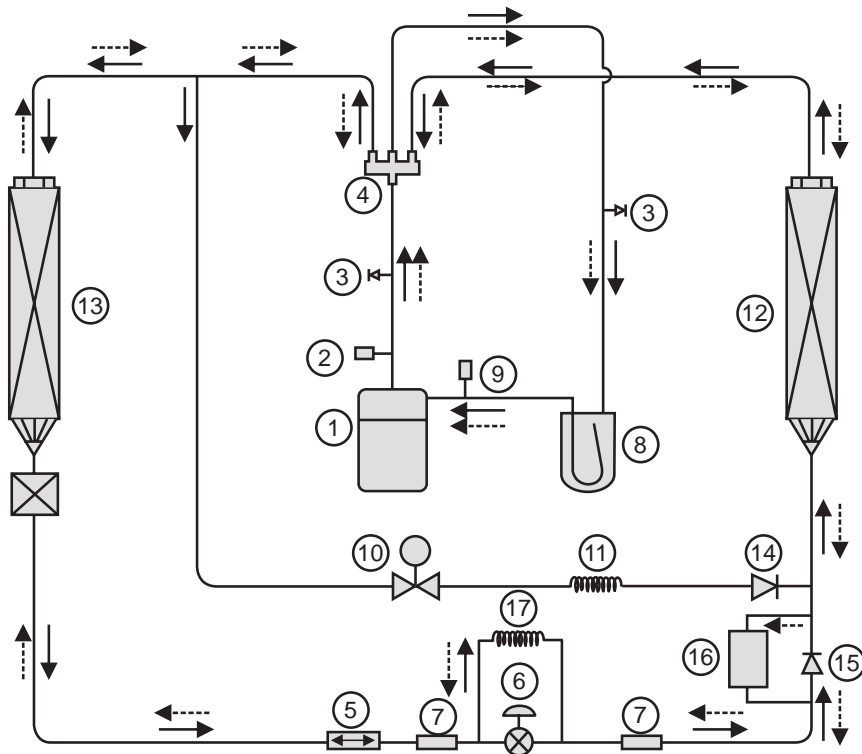
FOR VERTICAL DISCHARGE

REFRIGERANT CIRCUIT DIAGRAM

Model: UATYQ 250, 350, 450, 550, 600, 700 & 900

No	Item Description
①	Compressor
②	High Pressure Switch
③	Access Valve
④	4 - Ways Valve
⑤	Filter Drier
⑥	Electronic Expansion Valve
⑦	Strainer
⑧	Accumulator
⑨	Low Pressure Switch
⑩	Solenoid Valve
⑪	Bypass Capillary Tube
⑫	Indoor Heat Exchanger
⑬	Outdoor Heat Exchanger
⑭	Check Valve 1
⑮	Check Valve 2
⑯	Compensator
⑰	Capillary Tube

→	Cooling Operation
←-----	Heating Operation



Note: (a) UATYQ350, 450, 550, 600, 700 & 900 consists of 2 circuits in the system.
 (b) Item no. 15 & 16 are applicable for UATYQ350 only.
 (c) Item no. 17 is applicable for UATYQ700 & UATYQ900 only.

INSTALLATION MANUAL

This manual provides the procedures of installation to ensure a safe and good standard of operation for the air conditioner unit.

Special adjustment may be necessary to suit local requirements.

Before using your air conditioner, please read this instruction manual carefully and keep it for future reference.

This appliance is intended to be used by expert or trained users in shops, in light industry and on farms, or for commercial use by lay persons.

This appliance is not intended for use by persons, including children, with reduced physical, sensory or mental capabilities, or lack of experience and knowledge, unless they have been given supervision or instruction concerning use of the appliance by a person responsible for their safety.

Children should be supervised to ensure that they do not play with the appliance.

SAFETY PRECAUTIONS

IMPORTANT

Important information regarding the refrigerant used

This product contains fluorinated greenhouse gases. Do not vent gases into the atmosphere.

Refrigerant type:
R410A

GWP⁽¹⁾ value:
2087.5

⁽¹⁾ GWP = global warming potential
The refrigerant quantity is indicated on the unit name plate. Periodical inspections for refrigerant leaks may be required depending on European or local legislation. Please contact your local dealer for more information.

NOTICE

In Europe, the **greenhouse gas emissions** of the total refrigerant charge in the system (expressed as tonnes CO₂-equivalent) is used to determine the maintenance intervals. Follow the applicable legislation.

Formula to calculate the greenhouse gas emissions:

GWP value of the refrigerant
× Total refrigerant charge [in kg] / 1000



WARNING

- Installation and maintenance should be performed by qualified persons who are familiar with local code and regulation, and experienced with this type of appliance.
- All field wiring must be installed in accordance with the national wiring regulation.
- Ensure that the rated voltage of the unit corresponds to that of the name plate before commencing wiring work according to the wiring diagram.
- The unit must be GROUNDED to prevent possible hazard due to insulation failure.
- All electrical wiring must not touch the refrigerant piping, or any moving parts of the fan motors.
- Confirm that the unit has been switched OFF before installing or servicing the unit.
- Disconnect from the main power supply before servicing the air conditioner unit.
- DO NOT pull out the power cord when the power is ON. This may cause serious electrical shocks which may result in fire hazards.
- Keep the air-conditioner units, power cable and transmission wiring, at least 1m from TVs and radios, to prevent distorted pictures and static. (Depending on the type and source of the electrical waves, static may be heard even when more than 1m away).
- The equipment is not intended for use in a potentially explosive atmosphere.



CAUTION

Please take note of the following important points when installing.

- **Do not install the unit where leakage of flammable gas may occur.**



If gas leaks and accumulates around the unit, it may cause fire ignition.

- **Ensure that drainage piping is connected properly.**



If the drainage piping is not connected properly, it may cause water leakage.

- **Do not overcharge the unit.**



This unit is factory pre-charged.

Overcharge will cause over-current or damage to the compressor.

- **Ensure that the unit's panel is closed after service or installation.**



Unsecured panels will cause the unit to operate noisily.

- **Sharp edges and coil surfaces are potential locations which may cause injury hazards.**

Avoid from being in contact with these places.

- **Before turning off the power supply, set the remote controller's ON/OFF switch to the "OFF" position to prevent the nuisance tripping of the unit.** If this is not done, the unit's fans will start turning automatically when power resumes, posing a hazard to service personnel or the user.

- **Do not operate any heating apparatus too close to the air conditioner unit.**
- **Do not use joined and twisted wires for incoming power supply.**

Disposal Requirement:

Dismantling of the unit, treatment of the refrigerant, oil and other parts must be done in accordance with the applicable legislation.

INSTALLATION OF THE UNIT

A Location For Installation

- Install the unit in such way that air discharged by the unit cannot be drawn in again (as in the case of short circuit of discharge air). Allow sufficient space for maintenance around the unit.
- When two or more units are installed in a location, they must be positioned such that one unit will not be taking the discharge air from another unit.
- Ensure that there is no obstruction of air flow into or out of the unit. Remove obstacles which block air intake or air discharge.
- The location must be well ventilated, so that the unit can draw and distribute plenty of air.
- The unit is recommended to install in:-
 - A place capable of bearing the weight of the unit and isolating noise and vibration.
 - A place where has adequate drainage.
 - A place where the unit will not be buried in snow.
 - A place where air inlet and outlet ports are not exposed to strong wind.
 - A place where the air discharge and operating sound level will not annoy the neighbours.
 - The location where it is not accessible by general public.

Note

- To install the unit with economizer kit, follow the recommendations given in part (B) (iii) under chapter "OPTIONAL ACCESSORY" in this manual.



CAUTION

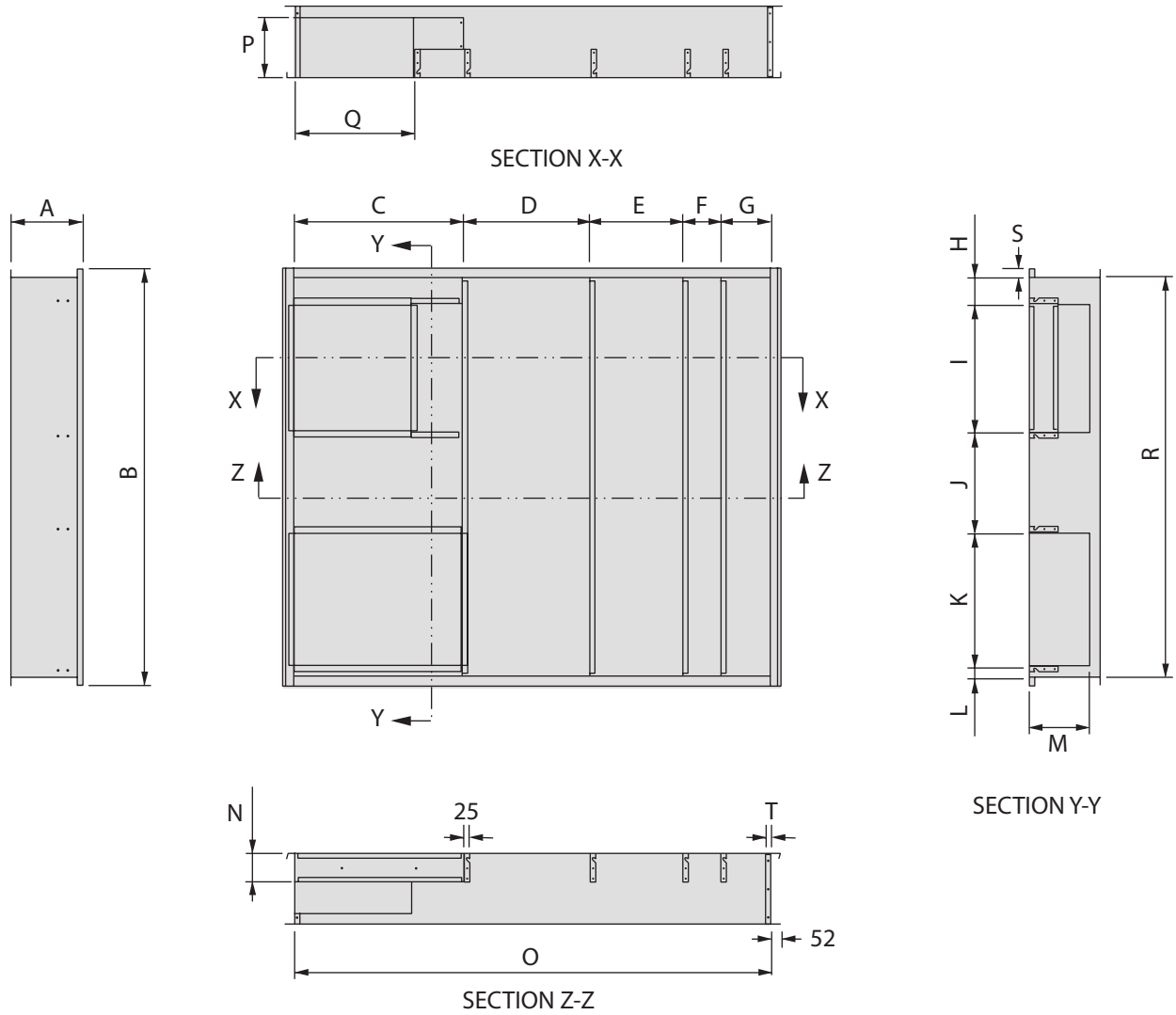
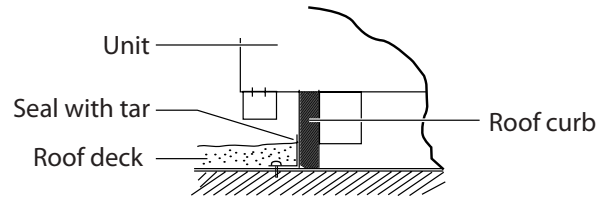
Do not install the unit at altitude over 2000m.

B Duct Construction

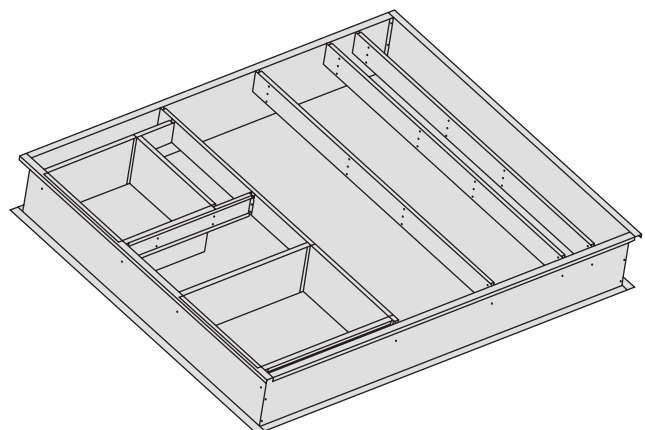
- This unit are equipped with supply and return air openings. Duct connection to the unit should be made with duct flanges and secured directly to the air openings with flexible duct connectors to avoid normal noise transmission.
- To prevent air leakage, all duct seams should be sealed.
- Ducts in the spaces that not air-conditioned must be insulated.
- Ducts exposed to the outside must be weather proofed.
- Ducts that entering building through the roof, the entering should be sealed with weather stripping to prevent rain, sand, dust etc., from entering the building.
- Correct size of filter must be installed at the return air duct.

C Unit Support (For down throw unit only)

- The figure shows the use of the roof curb for mounting these units.
- The curb should be sealed and fixed to the roof by weather stripping. A suggested means of sealing the unit and roof curb as shown in the right.
- Recommended roof curb dimension is shown below.



Model (UATYQ)	250	350/450	550/600/700/900
A	355	355	355
B	1506	2081	2081
C	840	700	840
D	315	410	625
E	315	410	462
F	0	0	190
G	314	287	248
H	0	131	131
I	607	600	646
J	322	544	495
K	540	682	676
L	0	42	51
M	300	300	300
N	141	141	141
O	1784	1807	2365
P	300	300	300
Q	481	477	590
R	1469	1998	1998
S	20	41.5	41.5
T	20	41.5	41.5



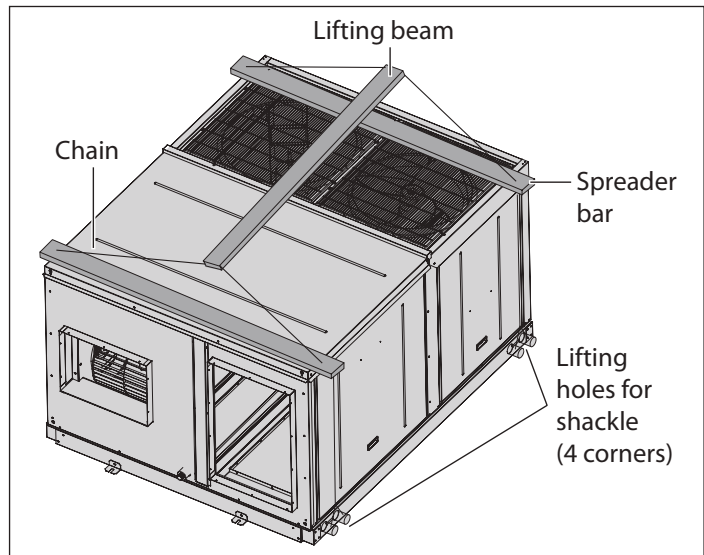
Note: All dimensions are in mm

D Unit Lifting

- Holes at 4 corners of the unit base are used for unit lifting purpose.
- The spreader bar shall be slightly wider than the unit width.
- The insulation should be added at 4 corners of the chain to prevent the damage of the panel when lifting.

Note

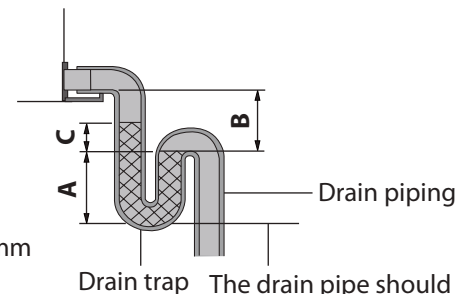
- Unit shown in diagram is UATYQ250.
- Other models will follow the same method in lifting.



E Drain Piping

- A 1" MPT condensate drain fitting is provided. The drain pipe can be led out at the front side.
- The drain pipe must be provided with a trap on the outside of the unit and also installed at an incline for proper drainage, as shown in the right.
- To prevent condensate formation and leakage, provide the drain pipe with insulation to safeguard against sweating.
- Upon completion of piping work, check that there is no leakage and that the water drains off properly.

The drain piping should have a drain trap.



- A** \geq 70mm
- B** \geq 2C
- C** \geq 2 X ESP

Note

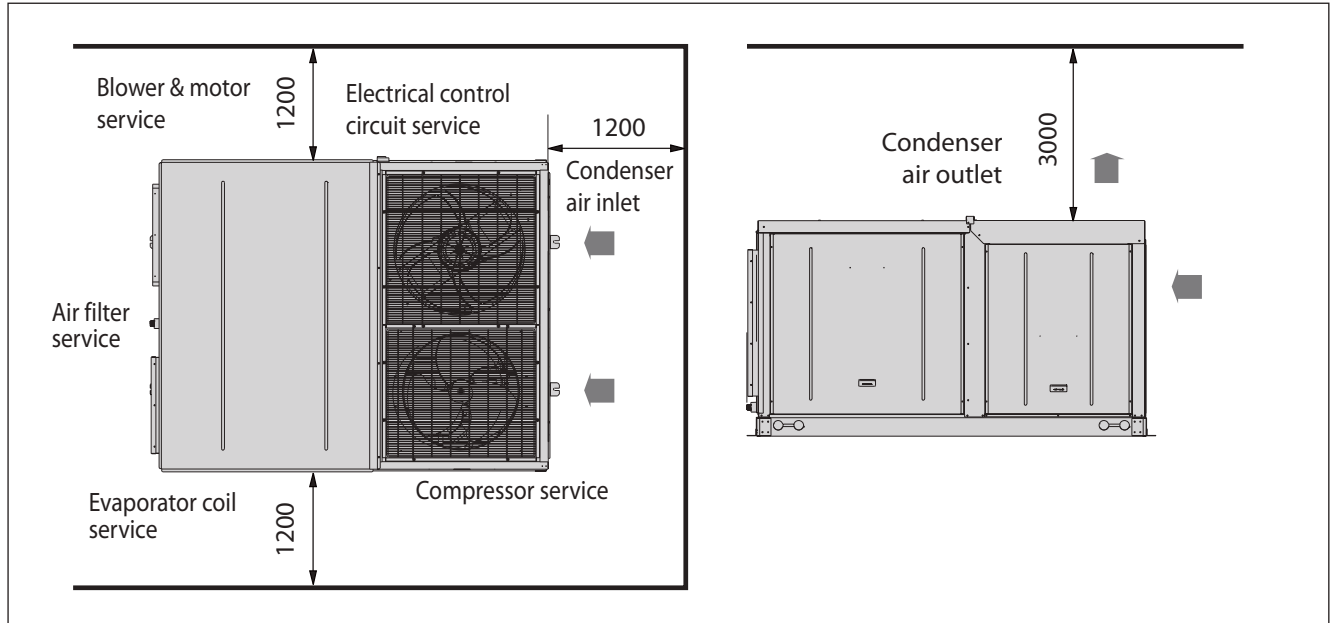
- ESP = External Static Pressure

Drain trap for condensate

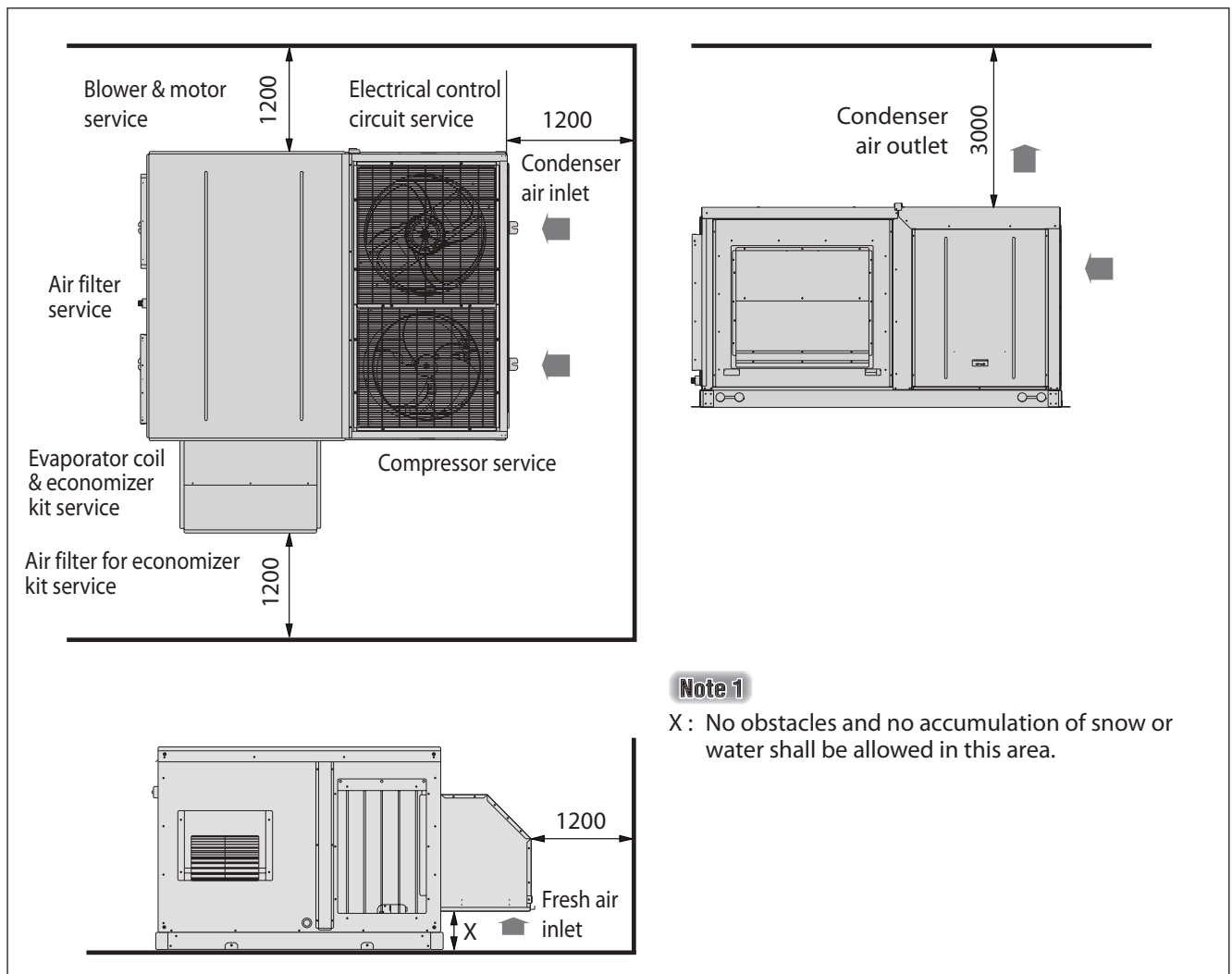
F Space Required Around Unit

Refer diagram below for the space required around the unit. Note that:-

- All dimensions shown are in mm.
- All space value shown are **minimum clearance** required for the unit.
- Unit shown in the diagram is UATYQ250. Other models shall follow the same clearance.



Additional space or clearance is required when economizer kit is installed. Whenever the unit is equipped with economizer kit, the space required around the unit with economizer kit shall follow the diagram below:-

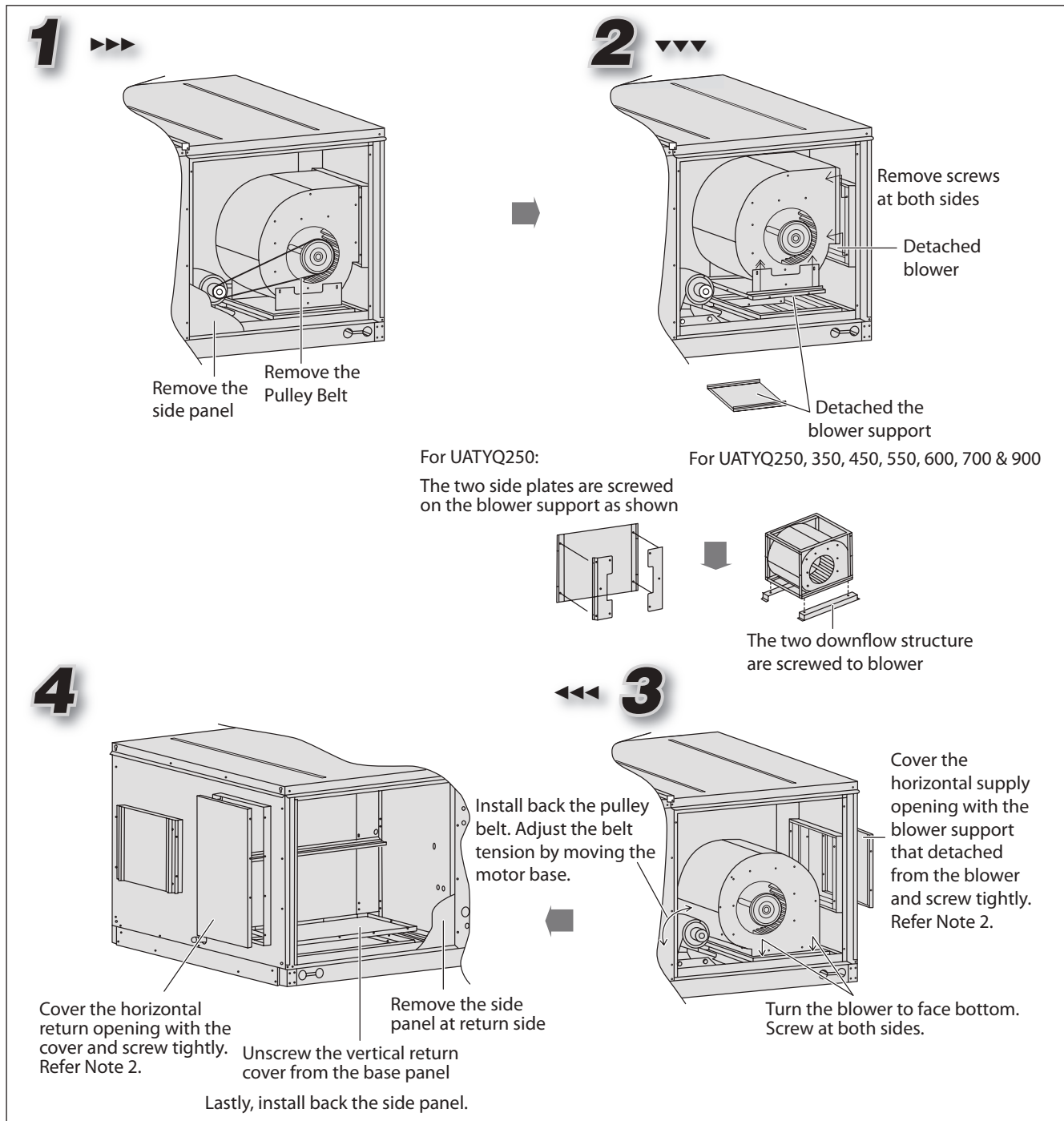


Note 1

X : No obstacles and no accumulation of snow or water shall be allowed in this area.

G Unit Conversion

In the case of converting standard unit to downthrow unit, follow the steps as stated below:
UATYQ250, 350, 450, 550, 600, 700 & 900



Install back the pulley belt. Adjust the belt tension. Lastly, install back the side panel. Refer Note 1.

Note 1

For downthrow conversion, belt length need to be changed.
 For unit with standard pulley, belt length = a mm
 Shaft to shaft distance for downthrow, C-C = b mm

	UATYQ250	UATYQ350	UATYQ450	UATYQ550	UATYQ600	UATYQ700	UATYQ900
a	1432	1457	1382	1500	1500	1500	1500
b	425	430	345	420	420	440	445

Note 2

Sealant such like gasket (field supply) shall be placed in between the metal cover and flange. Besides that, weather-proof silicone shall be applied on all the joints, screw holes and gaps to ensure water-tight condition.

Note 3

Refer Engineering Data Book for blower curve and technical data of variable pitch pulley.

PHYSICAL DATA

Heat Pump (R410A)

Model		UATYQ250	UATYQ350	UATYQ450	UATYQ550	UATYQ600	UATYQ700	UATYQ900
Refrigerant		R410A						
Refrigerant charge	kg	6.1	5.8/5.8	7.2/7.2	8.7/8.7	10.4/10.4	11.6/11.6	11.6/11.6
Evaporator air flow	CFM	3300	4300	5650	6700	7300	8300	9600
	L/S	1557	2029	2667	3162	3445	3917	4531
External static pressure	mmAq	15			21			
	Pa	147			206			
Condenser air flow	CFM	8230	6000/6000	6050/6050	6450/6450	10100/10100	10600/10600	10600/10600
	L/S	3884	2831/2831	2855/2855	3044/3044	4767/4767	5003/5003	5003/5003
Control		Wired Rooftop Controller						
Control wire length (Standard/Max) : Size	m : mm ²	15 / 100 : 3						
Compressor (Type/Quantity)		Scroll/1	Scroll/2	Scroll/2	Scroll/2	Scroll/2	Scroll/2	Scroll/2
Air filter (Type/Quantity)		Washable Saranet/2						
Air filter dimension (Length x Width x Thickness)	mm	880 x 467 x 4	1126 x 385 x 4	1126 x 435 x 4	1497 x 392 x 4	1497 x 495 x 4	1497 x 595 x 4	1497 x 595 x 4

ELECTRICAL DATA

Heat Pump (R410A)

Model		UATYQ250	UATYQ350	UATYQ450	UATYQ550	UATYQ600	UATYQ700	UATYQ900
Power supply	V/Ph/Hz	380-415/3N~/50						
Max continuous current (Comp)	A	26	17/17	19/19	26/26	28/28	29/29	40.0/40.0
Full load current (FLA, Comp)	A	21	12/12	15/15	21/21	22/22	25/25	34.0/34.0
Locked rotor current (LRA, Comp)	A	111	74/74	101/101	111/111	118/118	118/118	174.0/174.0

The equipment fulfils the requirements in EN 61000-3-11 and is subject to conditional connection to the mains. It may be connected in consultation with the supply authority. The equipment may only be connected to a mains supply with a system impedance of less than the value stated in table below. The system impedance in the interface point may be obtained from the supply authority.

Model	Maximum impedance (Z_{max}), ohm
UATYQ250	0.22
UATYQ350	0.23
UATYQ450	0.21
UATYQ550	0.21
UATYQ600	0.21
UATYQ700	0.21
UATYQ900	0.20

If the mains supply has a higher system impedance, short voltage dips may appear when the equipment is started or during operation. This may influence or disturb the operation of other apparatuses, e.g. flickering lamps, especially those connected to the same supply mains.

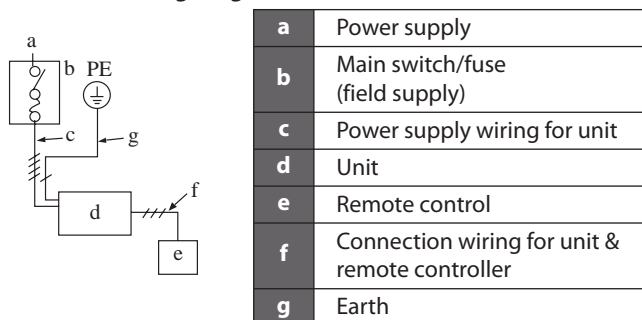
WIRE CONNECTION

- All electrical work must be carried out by qualified electrician and accordance with local supply requirement and associate regulation.

Method for connecting electric wire

Before connecting the wire, consult the electric power company of jurisdiction.

1. The entire wiring diagram of unit



2. Wiring connection to unit

Route the power supply wires and control wire through the knockout holes or cable holes in the unit.

Remove the service panels and connect the units power supply wires to terminal block inside the control box, as shown.

Make use of push releasable cable ties which are located at the bottom of control box to hold the power supply wires properly.

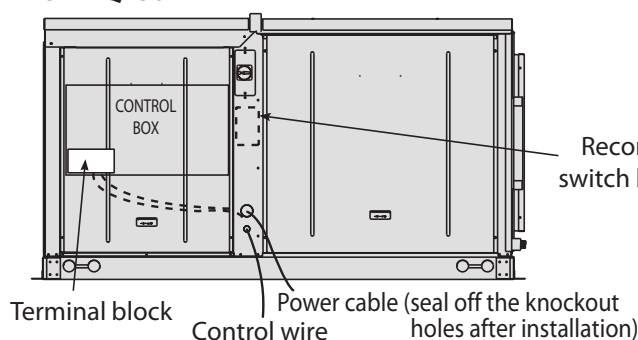
Note

While installing the circuit breaker onto the unit, make sure that the screws do not damage the components (e.g. coil) inside the unit.

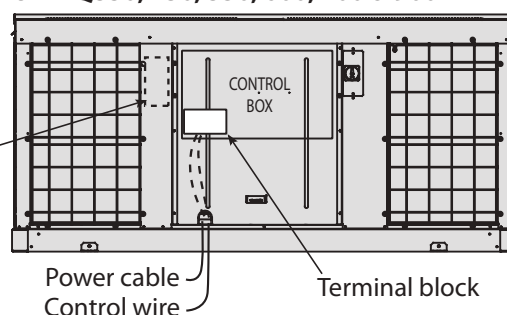
The switch box also can be installed without attaching to the unit.

The knockout holes are only available in UATYQ250; UATYQ350, UATYQ450, UATYQ550, UATYQ600, UATYQ700 & UATYQ900 comes with a power cable hole.

UATYQ250



UATYQ350, 450, 550, 600, 700 & 900



Recommended switch box position

Wiring Example And Selection Of Circuit Breaker

Model	Power cable (mm ²)	Breaker capacity (A)	Over current protection switch (A)	Earth cable (mm ²)
UATYQ250	4	32	32	4
UATYQ350	6	40	40	6
UATYQ450	10	40	40	10
UATYQ550	10	50	50	10
UATYQ600	16	63	63	16
UATYQ700	25	80	80	25
UATYQ900	35	100	100	35

Note

A main switch or other means for disconnection, having a contact separation in all poles, must be incorporated in fixed wiring in accordance with local and national legislation.

- The unit is to be wired directly from an electrical distribution board either by a circuit breaker (preferred) or HRC fuse.
- Fix the power supply wiring to control module. Connect control wiring to control terminal block through the control box's hole.
- Earth wiring must be connected.
- The power supply cord must be equivalent to H07RN-F which is the minimum requirement, and to be used in protective tube.
- There must be an all pole disconnection in the supply mains with a contact separation of at least 3mm.



WARNING

- Before working in this unit, isolate it from the power supply.
- Electrical wiring to this unit and the remote controller shall be installed in accordance with the appropriate requirement of the local wiring code.

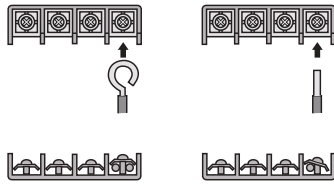
Observe the notes mentioned below when wiring to the terminal block. Precautions to be taken for power supply wiring. (Use a round crimp-style terminal for connection to the terminal block. In case it cannot be used due to unavoidable reasons, be sure to observe the following instruction.)

Round crimp-style terminal

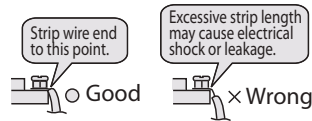


CAUTION

When connecting the connection wires to the terminal block using a single core wire, be sure to perform curling. Problems with the work may cause heat and fires.



Stripping wire at terminal block



- Pull the wire and make sure that it does not disconnect. Then fix the wire in place with a wire stop.

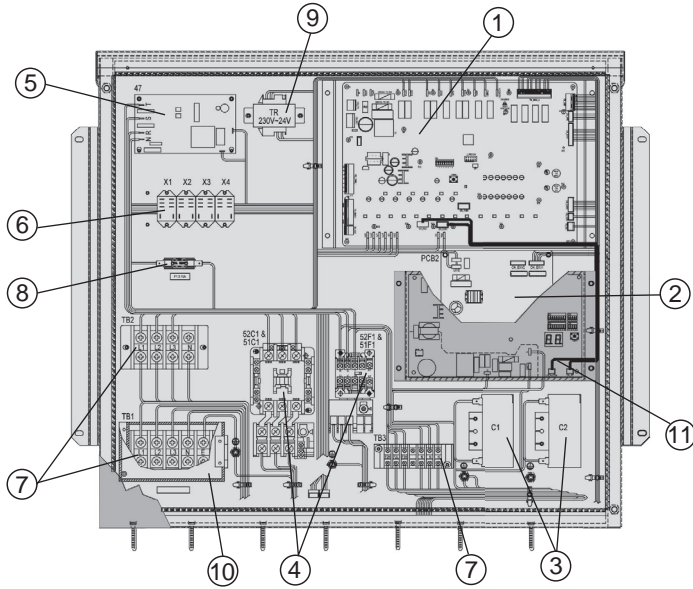


WARNING

- Transmission wire must be routed at least 50mm away from the power cable.
- Transmission wire should be a shielded wire.

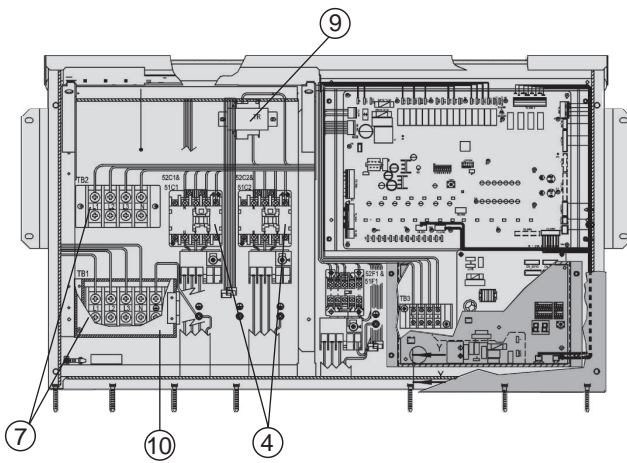
Arrangement of terminal blocks and components for controller are shown as below:

A Control Module UATYQ250

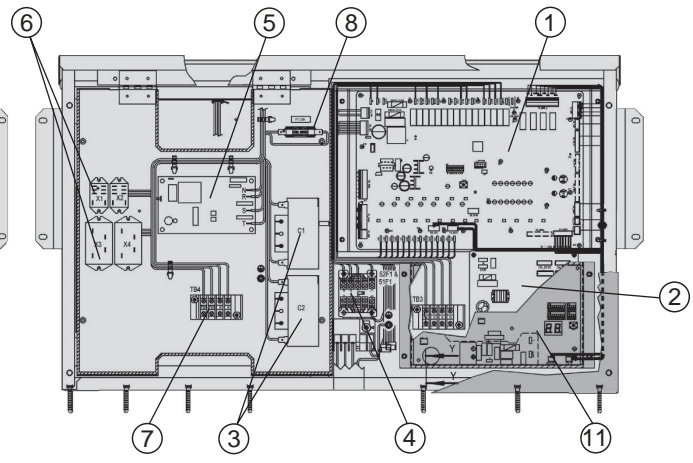


No.	Item Description
①	Controller Main Board
②	EXV Controller Board
③	Capacitor
④	Contactor
⑤	Phase Protector
⑥	Relay
⑦	Terminal Block
⑧	Fuse
⑨	Transformer
⑩	Terminal Block Cover
⑪	Economizer Controller Board

B Control Module UATYQ350/450/550

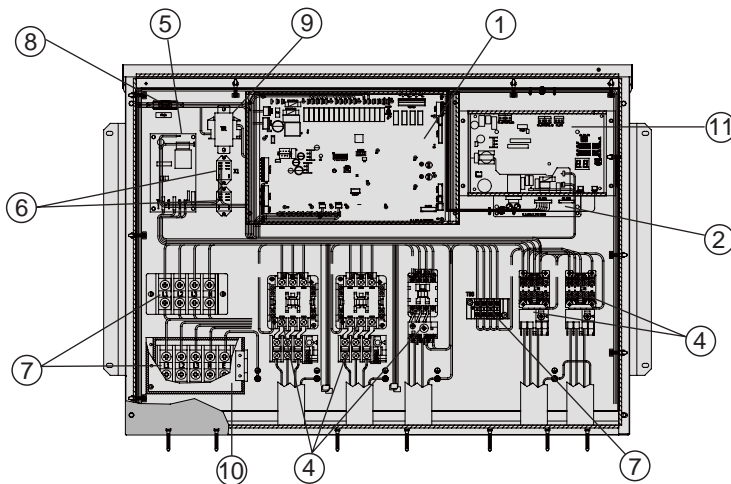


(Bottom Layer)



(Top Layer)

C Control Module UATYQ600/700/900



⚠ WARNING

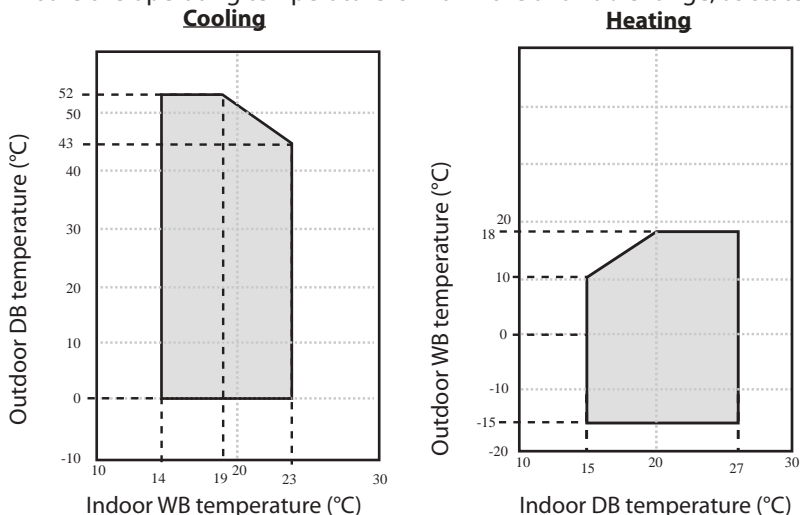
Unless the main supply switch is turned off, the terminal block (TB1) will remain Live when the isolator is turned off.

Note

Item 11 (Economizer Controller Board) shall be used together with the economizer kit which is provided separately as the accessory.

OPERATING RANGE

Ensure the operating temperature is within the allowable range, as stated in diagram below:



CAUTION

The use of the air conditioner outside the range of working temperature and humidity can result in serious failure.

Note

Refer Operating Range for unit with economizer option in part (E) (vi) in chapter "OPTIONAL ACCESSORY".

DB = Dry Bulb
WB = Wet Bulb

CONTROL OPERATION GUIDE

The unit is equipped with a controller main board, and a wired remote controller is connected to the controller main board.

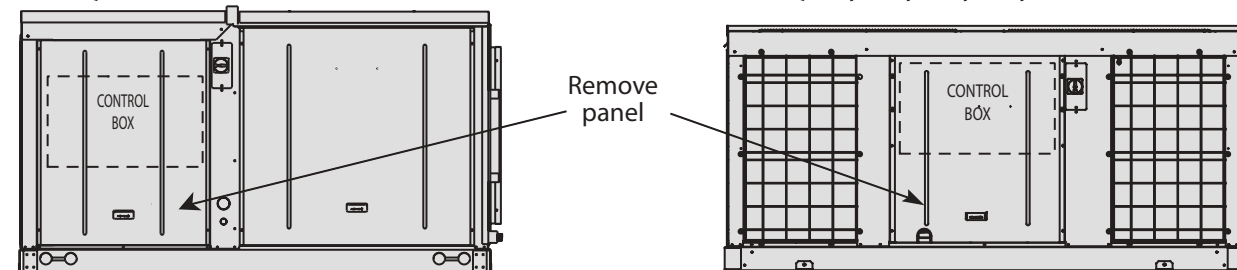
All the setting in the unit is preset by the manufacturer. It is not recommended to change the setting unless necessary or mentioned below.

a) Remote Controller Location

The remote controller is located on a metal bracket behind the service panel. It is packed together with installation manual.

UATYQ250

UATYQ350, 450, 550, 600, 700 & 900



b) LED Display (Controller Main Board)

The LED will blink when power up the unit.

c) LCD Display (Remote Controller)

During normal operations, the LCD displays compressor on/off status, mode, set temperature and so on. Refer to Operating Manual for the details of operation guide. The LCD will display the main screen upon power-up. When malfunctioning occur, a pop-up message will appear on the LCD with backlight blinking and 'beep' sound.

d) Optional Configurations

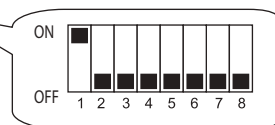
The controller main board can be used as the interface for thermostat control and BMS system.

(i) Thermostat control (TB_THM-I)

- To use this control, set Dip Switch Setting: SW1-ON (default is OFF).
- Follow the method below for thermostat control inputs:

G	Y1	Y2	W1	W2	Mode	Operation
0	0	0	0	0	-	Unit off
1	0	0	0	0	Fan	Indoor fan on
X	1	0	X	X	Cool	1 stage compressor
X	1	1	X	X	Cool	2 stage compressor
X	0	X	1	0	Heatpump/Heater	1 stage compressor
X	0	X	1	1	Heatpump/Heater	2 stage compressor

Remark: X = Don't care.



- Refer table below for installation recommendations:

Input	Rated voltage	Rated current	Wire size
G	24V AC	5mA	AWG18~22
Y1			
Y2			
W1			
W2			

Note

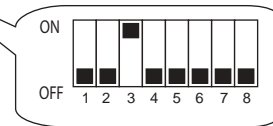
- When the controller main board is configured as thermostat control, the remote controller is used for monitoring purpose only.
- Unit needs to be restarted (power off and on) whenever dip switch setting is changed.

(ii) BMS control (TB_BMS-I)

- To use this control, set Dip Switch Setting: SW3 - ON (default is OFF) and panel parameter G8 to '1' (default is '0').

Note

- G8 = Control Type
0 = Panel
1 = BMS
2 = DEC



- For TB_BMS-I, there are 3 control inputs: unit on/off; operating mode (cool-0/heat-1); and set point (4~20mA).
- Refer below table for installation recommendations:

Input TB_BMS-I	Rated voltage	Rated current	Wire size
On/Off	24V AC	5mA	AWG18~22
Operating mode	24V AC	5mA	
Cool/Heat set point	-	4~20mA	

Note

- When the controller main board is configured as BMS control, the remote controller is used for monitoring purpose only.
- Unit needs to be restarted (power off and on) whenever dip switch setting is changed.

(iii) Dry contact output (TB_BMS-O)

- For TB_BMS-O, there are 4 monitoring outputs: error alarm; output1; output2; and defrost signal.
- Refer table below for installation recommendations:

Input TB_BMS-O	Rated voltage	Rated current (A)	Wire size
Alarm output (AL)	230V AC/125V AC/30V DC	1/3/3	AWG18~22
Output1 (O1)	230V AC/125V AC/30V DC	2/3/3	
Output2 (O2)	230V AC/125V AC/30V DC	3/3/3	
Defrost signal (DFRT)	230V AC/125V AC/30V DC	4/3/3	

- The output signals will vary depending on the configuration of controller main board, whether it is thermostat control or BMS control.

(1) For thermostat control, the outputs are indicated as shown in the table below.

Thermostat input (SW1-ON)					ERROR	DEFROST	Alarm output	Output1	Output2	Defrost signal
G	Y1	Y2	W1	W2			(AL)	(O1)	(O2)	(DFRT)
0	0	0	0	0	X	X	X	0	0	X
1	0	0	0	0	X	X	X	0	1	X
X	1	0	X	X	X	X	X	1	0	X
X	1	1	X	X	X	X	X	1	0	X
X	0	X	1	0	X	X	X	1	1	X
X	0	X	1	1	X	X	X	1	1	X
X	X	X	X	X	1	X	1	X	X	X
X	X	X	X	X	X	1	X	X	X	1

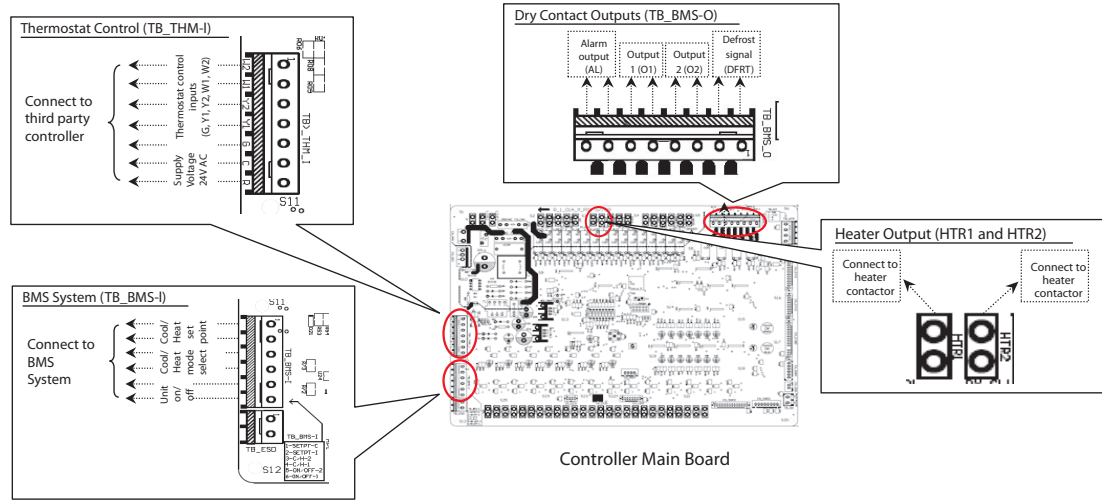
Remark: X = Don't care.

(2) For BMS control, the outputs are indicated as shown in the table below.

BMS input (SW3-ON)			ERROR	DEFROST	Alarm output	Output1	Output2	Defrost signal
ON/OFF	OPERATING MODE	COOL/HEAT SET POINT			(AL)	(O1)	(O2)	(DFRT)
0	0	X	X	X	X	0	0	X
0	1	X	X	X	X	0	1	X
1	0	X	X	X	X	1	0	X
1	1	X	X	X	X	1	1	X
X	X	X	1	X	1	X	X	X
X	X	X	X	1	X	X	X	1

Remark: X = Don't care.

The diagram below shows the position for terminal blocks in the controller main board which are used for thermostat control and BMS system. Beside that, the output pins for auxilliary electrical heater are shown as well.



(iv) Auxilliary Electrical Heater Output (HTR1 and HTR2)

- There are two output pins (HTR1 and HTR2) on controller main board, which are used to energize the heater contactor. The contactor must be selected accordingly to avoid any safety issue(s).
- The heater shall be installed in accordance with local and national legislation. It must comply with EN60335-2-40.
- Thermal fuse(s) shall be installed on the heater to eliminate any danger or damage on the heater/unit. This is especially critical when there is any malfunction happen to controller main board or blower.
- The heater shall be in a safe location, whereby no risk of damage could be happen on the unit.
- Use non-flammable duct for the unit that is installed with heater
- Use different power supply for electrical heater and install a circuit breaker for each of the heater.
- Maximum temperature in the unit must not exceed 60°C. Temperature measurement shall be taken during the installation or commisioning in order to ensure the temperature not exceed this value.
- Select the proper safety device or thermal protector accordingly.
- The heater shall never be installed inside the unit. The recommended location for the heater is inside the supply duct, whereby the distance of the heater is sufficient to ensure the temperature inside the unit does not exceed 60°C.

(v) Economizer control

- Ensure the economizer kit has been incorporated with rooftop unit before activate the economizer function in the controller main board. Else, error will occur.
- To activate economizer function, set Dip Switch Setting: SW4 - ON (default is OFF) in the controller main board and panel parameter G6 to '1' (default is '0').

Note

G6 = Economizer control
 0 = disable
 1 = enable.



- In economizer controller board, there are 4 dip switches and 3 shunt jumpers which provide flexible selection based on different requirements:
 - Dip Switch 1: Minimum fresh air opening setting in heating mode, where by the selection of different pins will give different opening setting. SW1: 5%, SW2: 10%, SW3: 15%, SW4: 20%, SW5: 25%, SW6/7/8: no function, Default: 0% (no selection, all OFF).
 - Dip Switch 2: Minimum fresh air opening setting in cooling mode, where by the selection of different pins will give different opening setting. SW1: 0%, SW2: 5%, SW3: 15%, SW4: 20%, SW5: 25%, SW6/7/8: no function, Default: 10% (no selection, all OFF).
 - Dip Switch 3: CO₂ PPM level threshold value selection, where by the selection of different pins will give different value setting. SW1: 25%, SW2: 50%, SW3: 75%, SW4: 100%, Default: 0% (no selection, all OFF).
 - Dip Switch 4: Type of operation, which include the following selection:-
 SW1: OFF = Differential temperature operation (default), ON = No function at this moment.
 SW2: OFF = Economizer mode (default), ON = Fresh air mode.
 SW3: OFF = Overcooled protection is activated (default), ON = Overcooled protection is not activated.

Shunt jumper 1, 2 and 3: Minimum fresh air opening setting in fan mode, where by the selection of different pins will give different opening setting. Let name the shunt jumper 1 = JP1, shunt jumper 2 = JP2 and shunt jumper 3 = JP3; refer the table below for different fresh air opening selection:-

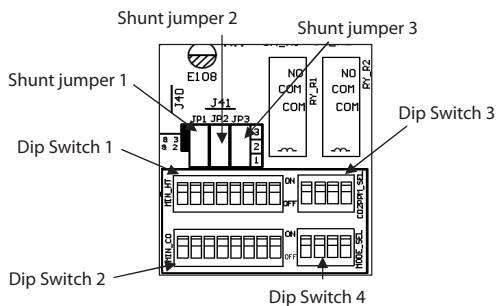
Fresh air opening (%)	JP1	JP2	JP3
0 (default)	OFF	OFF	OFF
10	OFF	OFF	ON
20	OFF	ON	OFF
30	OFF	ON	ON
40	ON	OFF	OFF
50	ON	OFF	ON
70	ON	ON	OFF
85	ON	ON	ON

Legend: OFF = Short pin 2 and pin 3
ON = Short pin 1 and pin 2

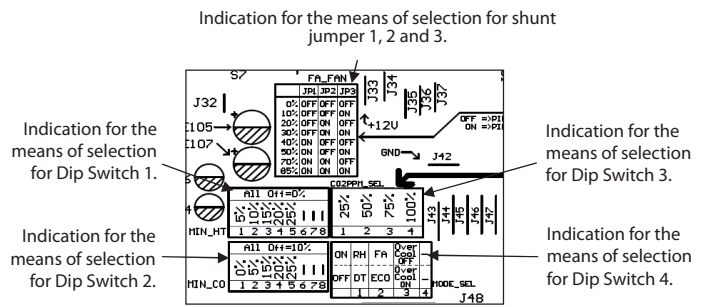
CAUTION

Dip Switch 1, 2 and 3 allow only 1 pin selection. Multiple pins selection will cause error and the operation will go back to default setting. While Dip Switch 4 allow multiple pins selection.

Location of dip switches and shunt jumpers in the economizer controller board:



Indication on the economizer controller board:

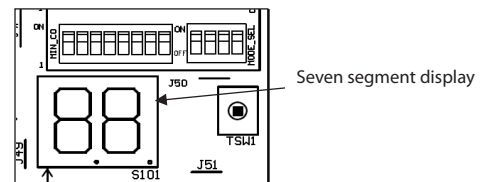


- There are two LEDs in economizer controller board, which are green LED and red LED. Green LED will blink when economizer controller board is powered-up. Red LED will blink when error(s) occur. Refer the table below for error codes and their meaning:-

Error Code	Fault
F0	Fresh air actuator faulty/ malfunction
F1	Return air actuator faulty/ malfunction
F2	Communication error
F3	CO ₂ sensor short
F4	CO ₂ sensor open
F5	Fresh air RH sensor short
F6	Fresh air RH sensor open
F7	Return air RH sensor short
F8	Return air RH sensor open
F9	Activation of actuator protection
FA	Multiple pins selection in Dip Switch 1, 2 or 3

Note

The error codes will be shown on the seven segment display on the economizer controller board.



Note

When error(s) occur and the faults persist, please call your authorized local dealer/ serviceman for troubleshooting. However, all the errors occur in economizer controller board will not affect the normal operation of rooftop unit.

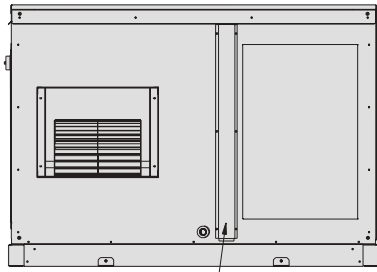
Note is valid for Turkey only: The lifetime of our products is ten (10) years

SERVICE OF THE FILTER

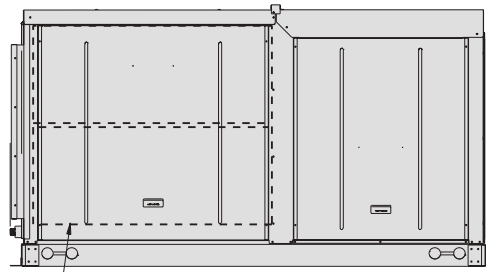
- Remove any dust adhering to the filter by using a vacuum cleaner or wash in lukewarm water (below 40°C) with neutral cleaning detergent.
- Rinse the filter well and dry before placing it back onto the unit.
- Do not use gasoline, volatile substances or chemicals to clean the filter.
- Clean the filter at least once every 2 weeks. Or more frequently if necessary.

Filter Position

The filters are mounted in front of the indoor heat exchanger.
Unit shown in the diagram is UATYQ250. Other models shall follow the same method.

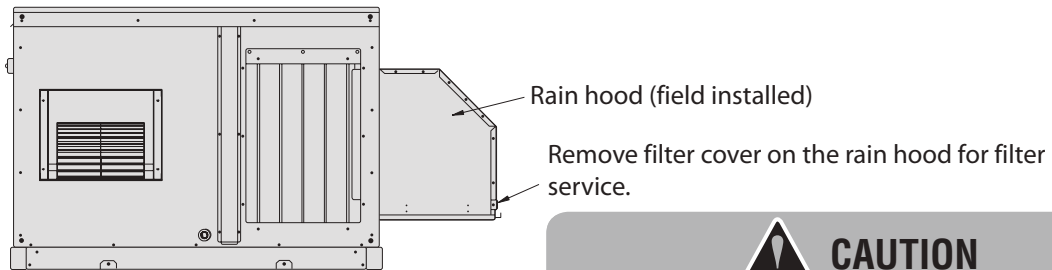


Remove filter cover for filter service.



Alternatively, remove side panel for filter service.

For unit which is installed together with economizer kit, there is one additional filter which is mounted at the bottom side of rain hood. Unit shown in the diagram is UATYQ250 + economizer kit (field installed). Other models shall follow the same method.



Rain hood (field installed)

Remove filter cover on the rain hood for filter service.



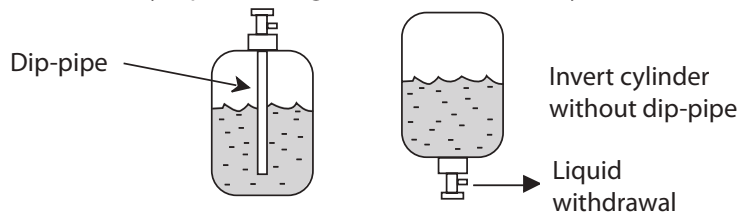
CAUTION

Ensure the filter is placed properly and the filter cover is fastened with screws tightly after the service to avoid water leaking. If necessary, weather-proof sealant shall be applied in order to ensure water-proof finishing on the filter cover and rain hood.

VACUUMING AND CHARGING

The rooftop package units are factory pre-charged with sufficient refrigerant. However, there may be a need for charge recovery during service and maintenance works. Therefore, some precautions must be taken to ensure optimum and trouble-free system operation:

- The system should be thoroughly vacuumed to ensure no incompressible gas and moisture in the system.
- Use a vacuum pump for R410A exclusively. Using the same vacuum pump for different refrigerants may damage the vacuum pump or the unit.
- The refrigerant should never be released directly into the environment.
- When charging R410A, ensure that only liquid is being withdrawn from the cylinder or can.



Dip-pipe

Invert cylinder without dip-pipe

Liquid withdrawal

Normally, the R410A cylinder or can is equipped with a dip-pipe for liquid withdrawal. However, if the dip-pipe is not available, invert the cylinder or can so as to withdraw liquid from the valve at the bottom.



CAUTION

- R410A must be charged as liquid. Usually R410A cylinder is equipped with a dip-pipe for liquid withdrawal. If there is no dip-pipe, the cylinder should be inverted so as to withdraw liquid R410A from the valve.
- Do not top-up when servicing leak, as this will reduce the unit performance. Vacuum the unit thoroughly and then charge the unit with fresh R410A according to the amount recommended in the specification.

TROUBLESHOOTING

For any enquiries on spare part please contact your authorized dealer. If any malfunction of the air-conditioner unit is noted, check the following fault conditions and causes for some simple troubleshooting tips.

Problem	Causes	Action
Unit does not run.	<ul style="list-style-type: none"> ● Power failure. ● Fuse blown or circuit breaker tripped. ● Power supply wiring phase incorrect. 	<ul style="list-style-type: none"> ▶ ● Press the [ON/OFF] after power restore. ▶ ● Replace fuse or reset circuit breaker. ▶ ● Modify the wiring phase.
Compressor does not operate in 3 min after unit has started.	<ul style="list-style-type: none"> ● Protection against frequent starting. 	<ul style="list-style-type: none"> ▶ ● Wait for 3 min for the compressor to start.
Air flow is low.	<ul style="list-style-type: none"> ● Filter is filled with dust and dirt. ● There are some obstacles at the air inlet or outlet of the units. 	<ul style="list-style-type: none"> ▶ ● Clean the filter. ▶ ● Remove obstacles.
Compressor operate continuously.	<ul style="list-style-type: none"> ● Dirty air filter. ● Temperature setting is too low (for cooling). ● Temperature setting is too high (for heating). 	<ul style="list-style-type: none"> ▶ ● Clean the air filter. ▶ ● Reset the temperature.
No cool air delivered during cooling cycle, or no hot air delivered during heating cycle.	<ul style="list-style-type: none"> ● Temperature setting is too high (for cooling). ● Temperature setting is too low (for heating). 	<ul style="list-style-type: none"> ▶ ● Set the temperature lower. ▶ ● Set the temperature higher.
On heating cycle, no air delivered (UATYQ250). Or, the delivered air is not warm enough (UATYQ350/450/550/600/700/900).	<ul style="list-style-type: none"> ● Unit is in defrosting cycle. 	<ul style="list-style-type: none"> ▶ ● Wait for a while. (It will be resumed after defrosting.)

If the fault persists, please call your authorized local dealer/serviceman.

ECONOMIZER KIT

A Introduction

Economizer kit is an accessory provided by the factory, but requires field installation. Economizer kit is compatible for R410A rooftop models. If you are unsure whether this kit can be used with your particular unit, please contact authorized service division. The economizer kit allows outside air to be mixed with return air for 'free' cooling if the outdoor air temperature is suitable. Economizer cooling can be used alone or in conjunction with mechanical cooling. Beside that, the economizer kit can be used as well to provide ventilation air thus can improve indoor air quality. It is vital to do a correct selection on economizer kit, refer the table below for kit selection guideline:

No.	Rooftop Unit	Economizer kit which is compatible with rooftop unit
1	UATYQ250	ECONO250
2	UATYQ350	ECONO350
3	UATYQ450	ECONO450
4	UATYQ550	ECONO550
5	UATYQ600	ECONO600
6	UATYQ700	ECONO700
7	UATYQ900	ECONO900

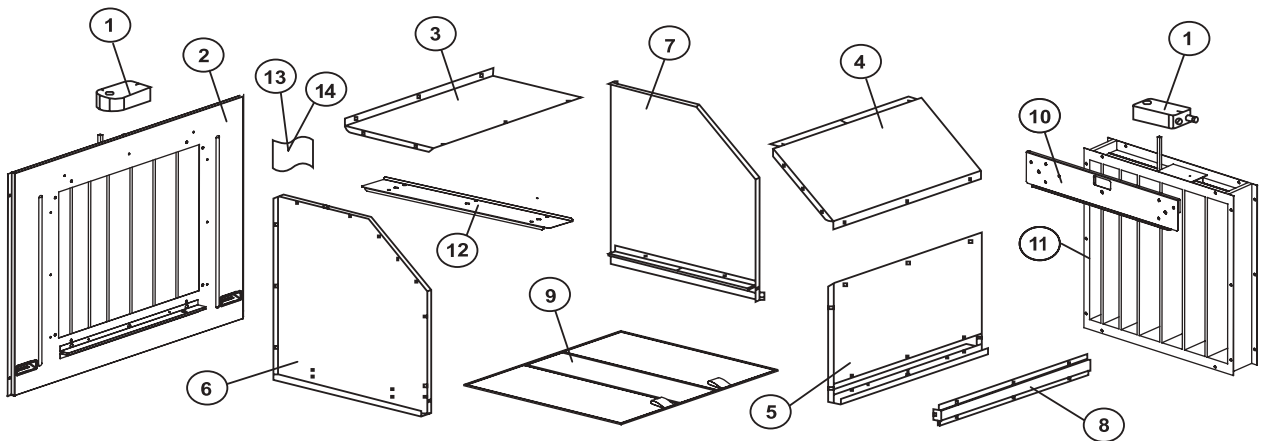
Note

Wrong selection may cause the kit is unable to be assembled with the rooftop unit.

B Preinstallation Checking

(i) The Contents of Economizer Kit

Before installation, it is recommended to check the contents of the economizer kit after removing the packaging. The kit includes the following components:

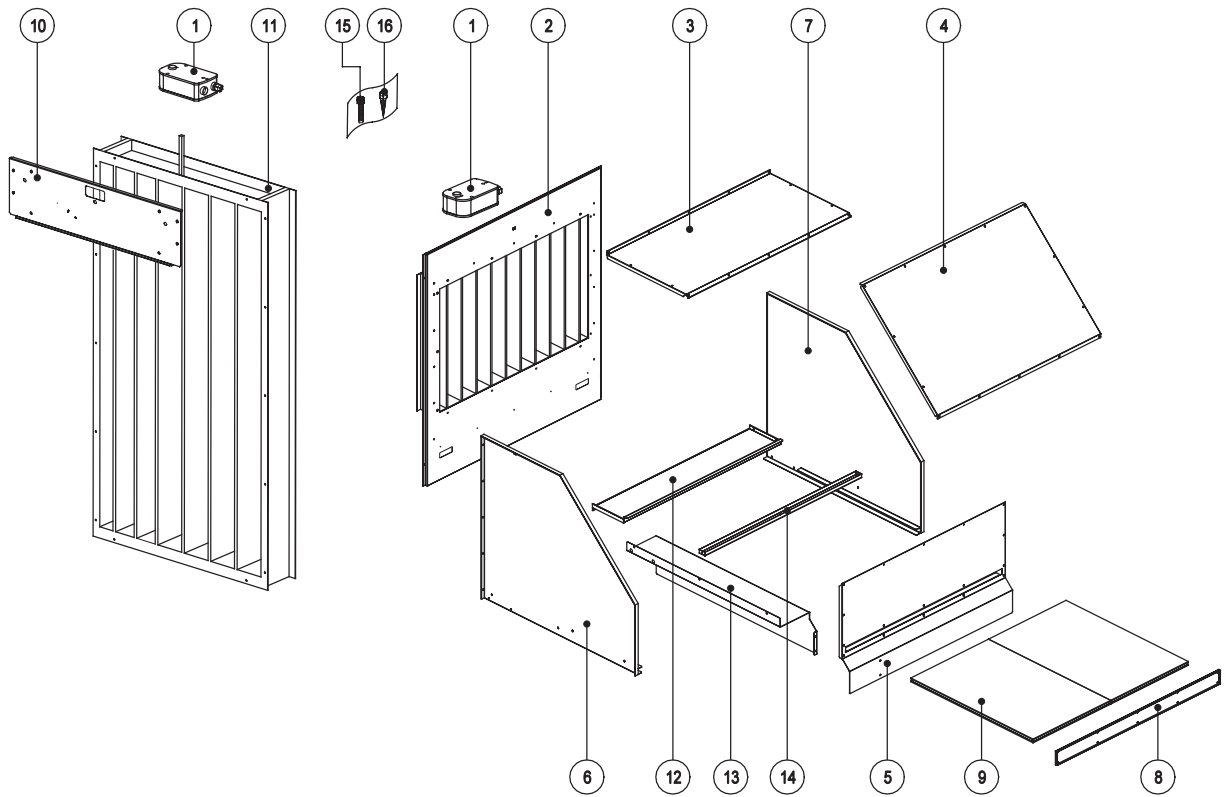


No.	Item Description	Quantity (set)
1	Belimo actuator, LF24-SR	2
2	Side panel with outdoor air damper	1
3	Hood, top panel	1
4	Hood, center panel	1
5	Hood, bottom panel	1
6	Hood, side panel left	1
7	Hood, side panel right	1

No.	Item Description	Quantity (set)
8	Filter cover	1
9	Filter	1
10	Support bracket, return air damper	1
11	Return air damper	1
12	Support bracket, down throw	1
13	Screw, M5x16	55
14	Screw, M4x12	4

* Support bracket, down throw (item 12) is not available in ECONO700.

(ii) The Contents of Economizer Kit UATY900



No.	Item Description	Quantity (set)
1	Belimo actuator, LF24-SR	2
2	Side panel with outdoor air damper	1
3	Hood, top panel	1
4	Hood, center panel	1
5	Hood, front panel	1
6	Hood, side panel right	1
7	Hood, side panel left	1
8	Filter cover	1

No.	Item Description	Quantity (set)
9	Air Filter, AAF	1
10	Support bracket, return air damper	1
11	Return air damper	1
12	Hood, Bottom Panel	1
13	Flange, Air Hood 1	1
14	Support Filter	1
15	Screw, M5x16	97
16	Screw, M4x12	4

Note

Contact authorized service division if accessory is damaged or incomplete.

(iii) Unit Clearance

Provide sufficient space for air flow, servicing and wiring after the kit is mounted on the unit. There shall be no obstruction of air flow in this space. Refer to part (F) under chapter "INSTALLATION OF THE UNIT" in this manual. Failure to do so may cause low air flow or unit malfunction.

(iv) Location for installation

Follow the recommendations given in part (A) under chapter "INSTALLATION OF THE UNIT" in this manual. In addition, there is a need to consider the installation condition around the kit whereby:

- The clearance of the rain hood from the floor shall always have no snow nor water accumulation.
- The fresh air inlet does not face prevailing wind direction.
- The outdoor air shall be always clean and no odor, complies with the limit of concentration for several contaminants set by local standards, and does not exceed the threshold limit value (TLV) for toxicity specified by local standards.

(v) Damper Function

Check the two dampers in the economizer kit, which are item 2 and item 11 by turning the shaft of damper +90° and -90° (fully opened to fully closed or vice versa). The damper turning shall be smooth and easy. Any damages or abnormalities shall inform to authorized service division.

C Tools And Materials Required For Installation

- | | |
|------------------------------------------------|-----------------------------------------------|
| (i) Electric screwdriver with assorted sockets | (vii) Adjustable spanner (small size) |
| (ii) Electric drill with assorted sockets | (viii) Crowbar and hammer |
| (iii) Small flat blade screwdriver | (ix) Weather-proof sealant (such as silicone) |
| (iv) Cutter | (x) Gasket |
| (v) Philip type screwdriver | (xi) Safety lockout tag |
| (vi) Measurement tape or ruler | (xii) Cable tie |

D Installation Guidelines**(i) Side return (horizontal) application****STEP 1**

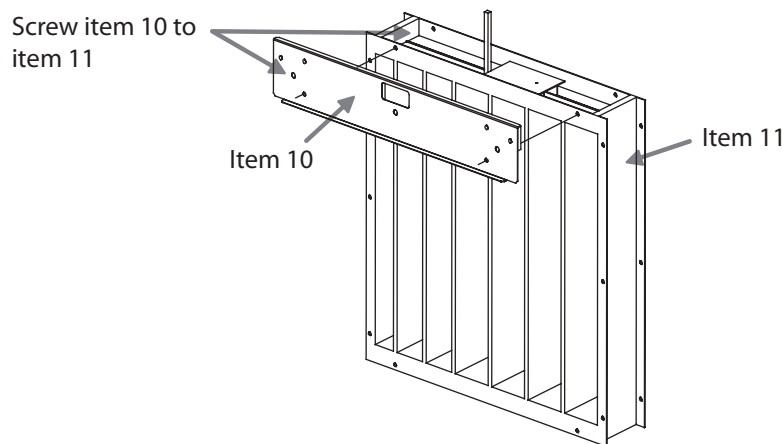
- Disconnect power supply to the unit and install a safety lockout tag before installation, commissioning or service of the economizer unit. Prepare all the tools required as mentioned above.

STEP 2

- Unpack the wooden crate of economizer kit by using crowbar and hammer. Then, remove the polybags containing loose parts and fasteners by using cutter. Perform preinstallation checking as mentioned above.

STEP 3

- Attach support bracket, return air damper (item 10) to return air damper (item 11) by using screw M5x16 (item 13) provided in the kit.

**STEP 4**

- Mount 1 pc Belimo actuator, LF24-SR (item 1) labelled with 'RA' to return air damper (item 11). Align and insert the hole of actuator to the shaft of the damper.

**CAUTION 1**

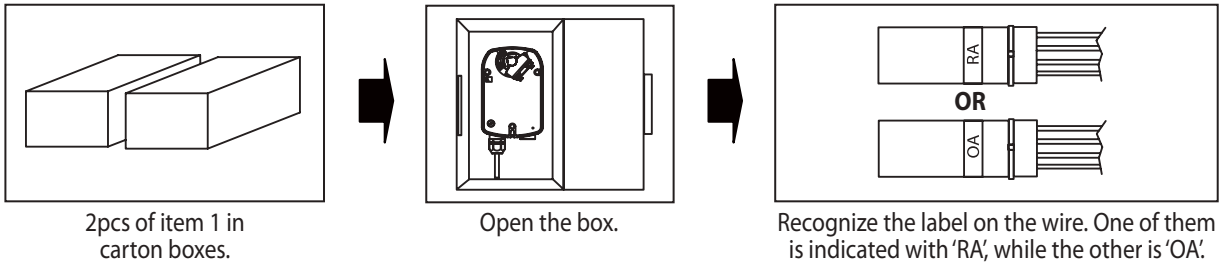
The default setting for return air damper (item 11) shall be fully opened. Ensure this damper is in 'fully opened' position before mounting it to the actuator. Failed to do so will cause errors during the unit operation.

**CAUTION 2**

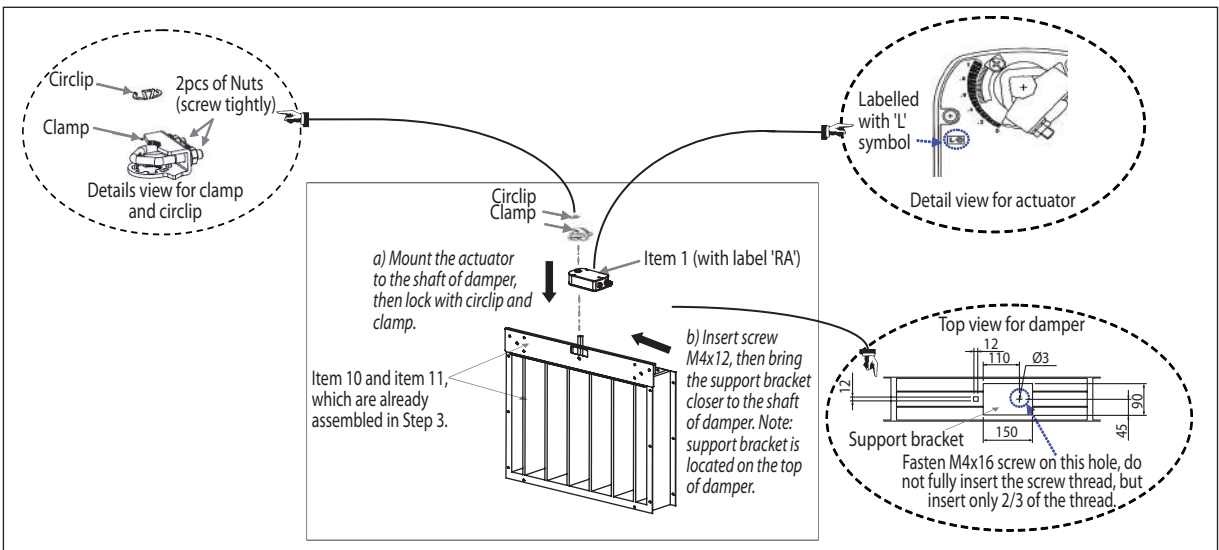
The surface of actuator which is facing upward/ outside shall be labelled with 'L' symbol to ensure the rotation of actuator modulation in clockwise direction. Failed to do so will cause errors during the operation of unit with economizer function.

Note

There are 2pcs of Belimo actuator, LF24-SR (item 1) in economizer kit which come together with carton boxes. Open the boxes and recognize the label on the wire. The actuator used in step 4 is the one with label 'RA'.



- Then, fastens 1pc screw M4x12 (item 14) on the support bracket of the damper. Do not fully insert the screw thread, but only insert up to 2/3 of the screw thread. Mount the actuator to the support bracket by bringing the support bracket closer to the shaft of damper. The function of screw M4x12 is to lock the actuator from slipping during modulation.
- Next, put the clamp into the shaft and lock the actuator with circlip. Fasten the nuts of clamp tightly by using adjustable spanner. Noted that clamp and circlip come together with actuator as the standard parts, you may find these parts inside the actuator box.

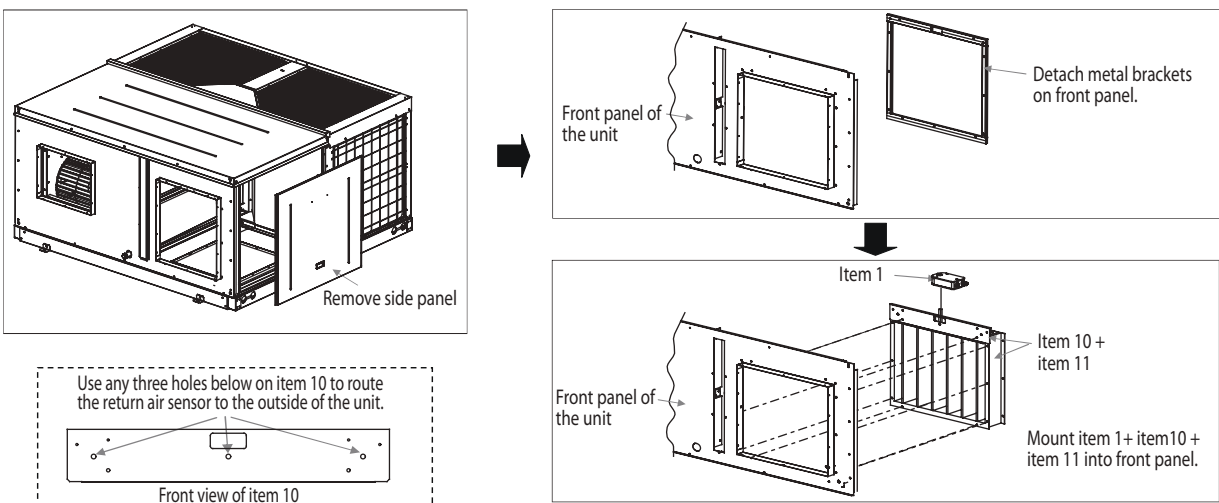


STEP 5

- Remove side panel. Then, detach 4pcs metal bracket on front panel. Install the return air damper (item 11) + support bracket, return air damper (item 10) + Belimo actuator, LF24-SR (item 1) which are already assembled in step 3 and step 4 into front panel of the unit by using the same screw holes. Use screw M5x16 (item 13) for fastening purpose.

CAUTION

Extend the return air sensor which is located inside the unit (on top of return air opening) to the outside area of the unit. This can be done by routing the sensor through small holes on support bracket, return air damper (item 10). The sensor is then located properly inside the return air duct by using the cable ties (field supply). Failing to do so may affect the performance of the unit and cause thermal discomfort to the users.



STEP 6

- Mount 1pc Belimo actuator, LF24-SR (item 1) labelled with 'OA' to the side panel with outdoor air damper (item 2). Align and insert the hole of actuator to the shaft of the damper.



CAUTION 1

The default setting for outdoor air damper (item 2) shall be fully closed. Ensure this damper is in 'fully closed' position before mount the actuator. Fail to do so will cause errors during the unit normal operation.

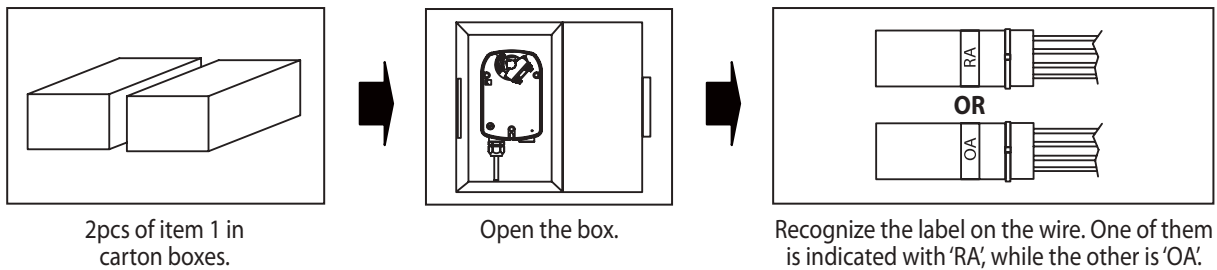


CAUTION 2

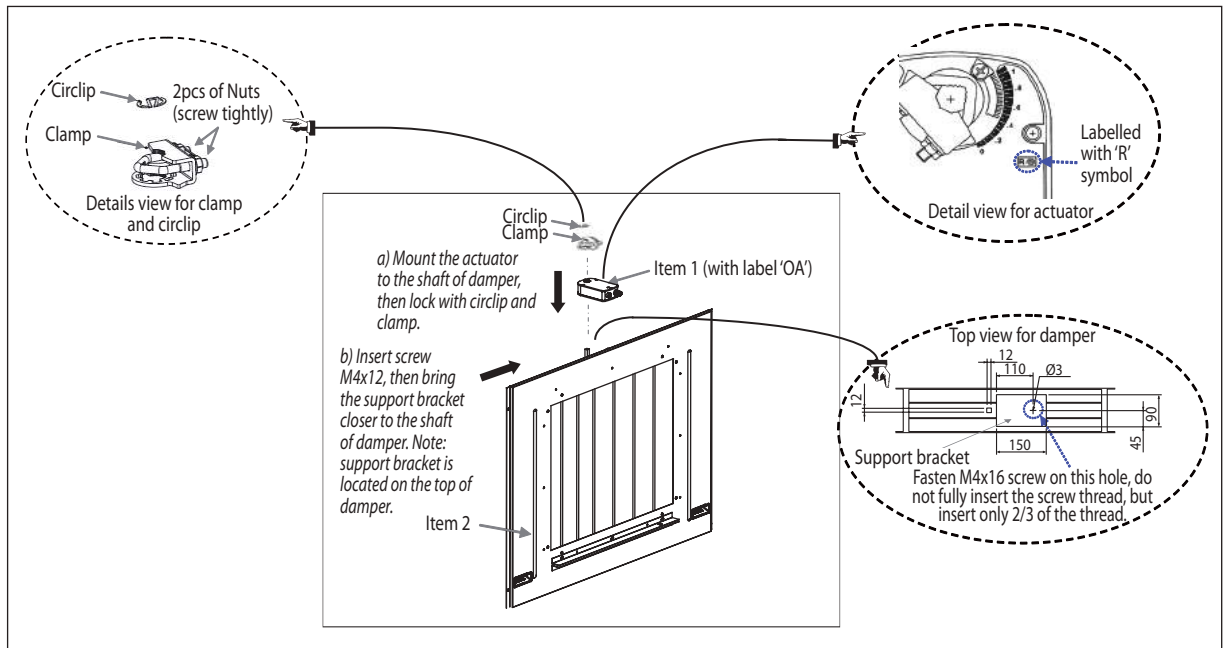
The surface of actuator which is facing upward/ outside shall be labelled with 'R' symbol to ensure the rotation of actuator modulation in counter clockwise direction. Fail to do so will cause errors during the operation of unit with economizer function.

Note

There are 2pcs of Belimo actuator, LF24-SR (item 1) in economizer kit which come together with carton boxes. Open the boxes and recognize the label on the wire. The actuator used in step 6 is the one with label 'OA'.



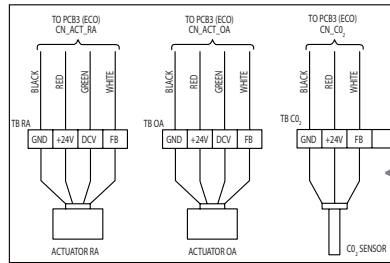
- Then, fastens 1pc screw M4x12 (item 14) on the support bracket of the damper. Do not fully insert the screw thread, but only insert up to 2/3 of the screw thread. Mount the actuator to the support bracket by bringing the support bracket closer to the shaft of damper. The function of screw M4x12 is to lock the actuator from slippery during modulation.
- Next, put the clamp into the shaft and lock the actuator with circlip. Fasten the nuts of clamp tightly by using adjustable spanner. Noted that clamp and circlip come together with actuator as the standard parts, you may find these parts inside the actuator box.



STEP 7

- Connect Belimo actuator, LF24-SR (item 1) with label 'RA', which is now located at the assembly damper on the front panel to terminal block with label 'RA' inside the junction box.
- There are four wires on the actuator with different colours (black, red, green and white colours). Connect the wires as below:

- Black colour wire - connect to first pole of terminal block with label 'GND'.
 - Red colour wire - connect to second pole of terminal block with label '+24V'.
 - Green colour wire - connect to third pole of terminal block with label 'DCV'.
 - White colour wire - connect to fourth pole of terminal block with label 'FB'.
- (You may refer to sticker wiring diagram which is located on the front cover of junction box.)

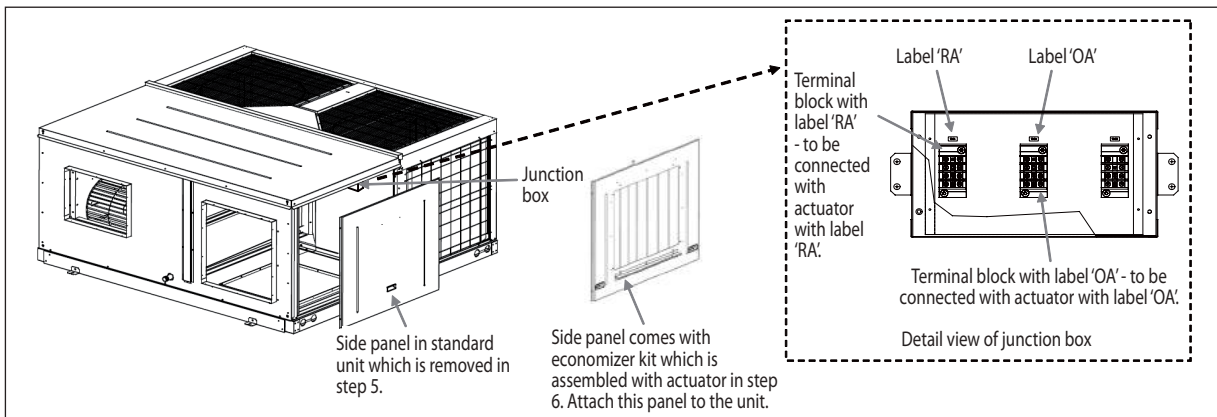


Sticker wiring diagram on the front cover of junction box

CAUTION

Wrong wiring connection may cause the malfunction on actuator or economizer controller board or both. Tie the wires with releasable cable ties under the junction box.

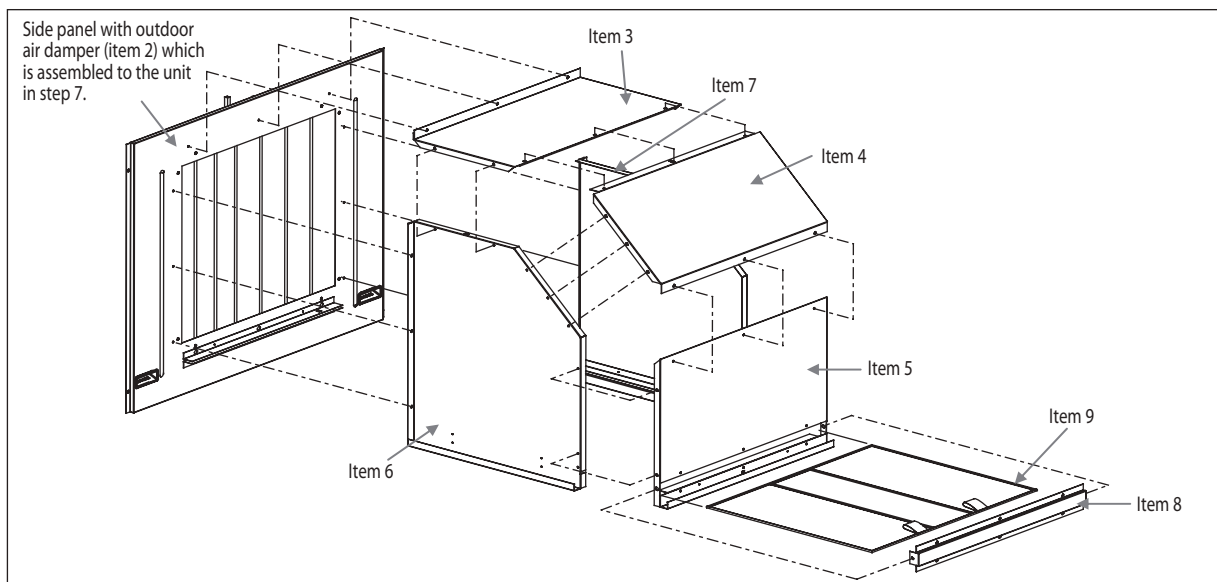
- Then, connect Belimo actuator, LF24-SR (item 1) with label 'OA', which is now located at the assembly damper on the side panel to terminal block with label 'OA' inside the same junction box. Follow the same method used for wiring connection between actuator 'RA' and terminal block 'RA'. Next, attach the side panel to the unit. You may need to do proper arrangement on the actuator wires by using cable ties (field supply) before attach the side panel to the unit.



STEP 8

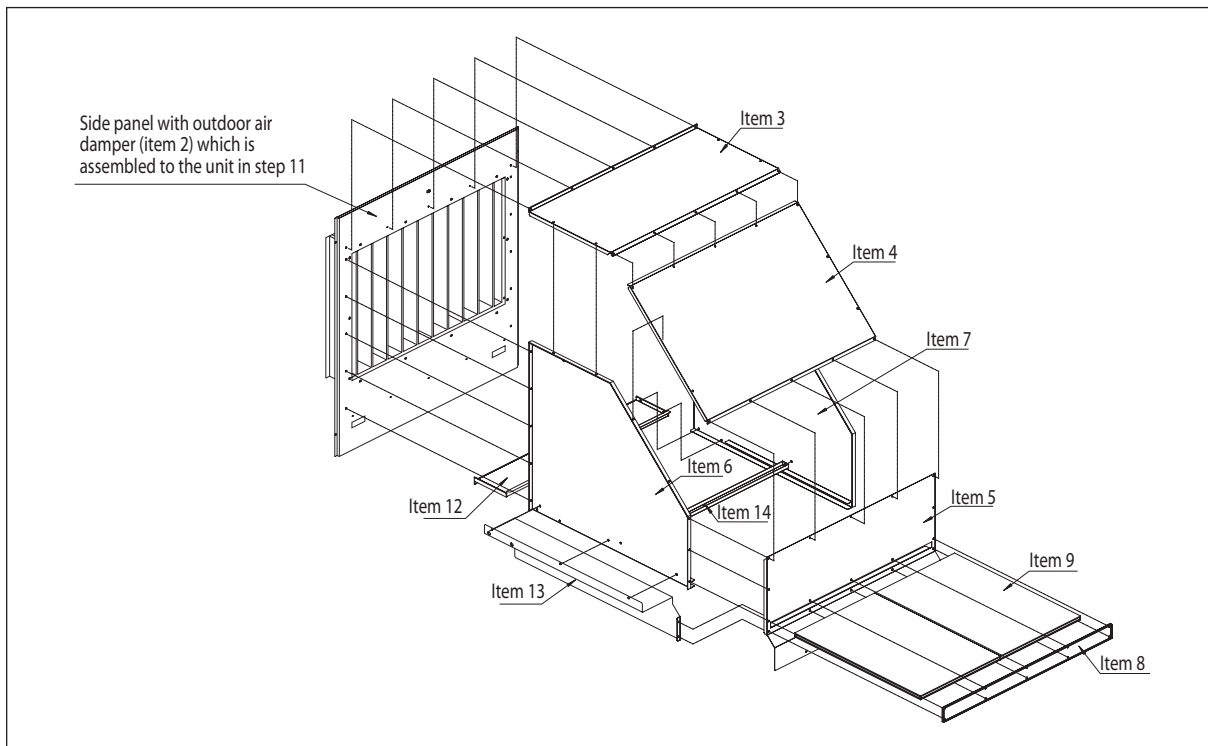
- To build the rain hood, install the loose parts (metal parts) to the side panel. Before that, place the gasket (field supply) on the side panel for sealing purpose.
- Then, follow the installation sequence below to build the rain hood:

Model : UATYQ 250, 350, 450, 550, 600, 700



Model : UATYQ 900

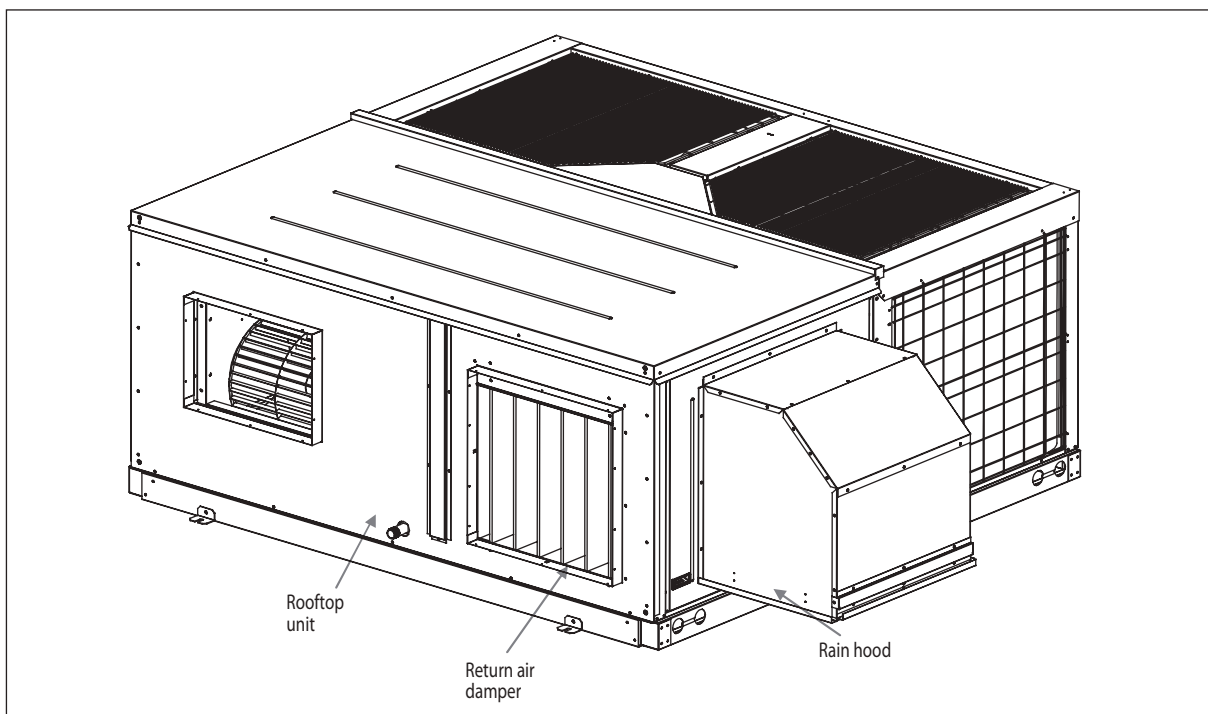
Gasket
 Item 2----->Item 6----->Item 7----->Item 12----->Item 14----->Item 5----->Item 4----->Item 3----->Item 13----->Item 9----->Item 8-----> Sealant



- It is recommended to seal off all the joints and gaps with weather-proof sealant (such as silicone, field supplied item) in order to ensure a water-proof finishing on the rain hood.

STEP 9

- Finally, you may see the unit with economizer kit as shown in the diagram below:



Note

Unit shown in the diagrams from step 1 to step 9 are UATYQ350. Other models shall follow the same method.
 Unit shown in the diagrams from step 1 to step 12 are UATYQ900. Other models shall follow the same method.

(ii) Down return (vertical) application

STEP 1

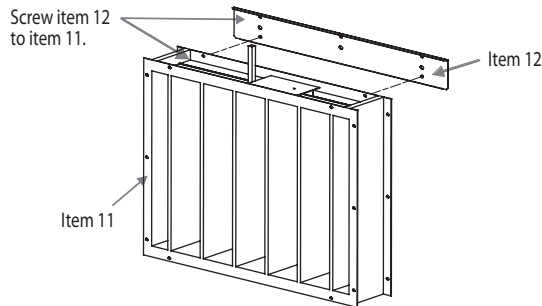
- Disconnect power supply to the unit and install a safety lockout tag before installation, commissioning or service of the economizer unit. Prepare all the tools required as mentioned above.

STEP 2

- Unpack the wooden crate of economizer kit by using crowbar and hammer. Then, remove the polybags containing loose parts and fasteners by using cutter. Perform preinstallation checking as mentioned above.

STEP 3

- Attach support bracket, down throw (item 12) to return air damper (item 11) by using screw M5x16 (item 13) provided in the kit.



Note

Support bracket, down throw (item 12) is not available in ECONO 700 & 900. To install economizer kit for this model, ignore step 3 and jump to step 4.

STEP 4

- Mount 1pc Belimo actuator, LF24-SR (item 1) to return air damper (item 11). Align and insert the hole of actuator to the shaft of the damper.



CAUTION 1

The default setting for return air damper (item 11) shall be fully opened. Ensure this damper is in 'fully opened' position before mount the actuator. Fail to do so will cause errors during the unit normal operation.

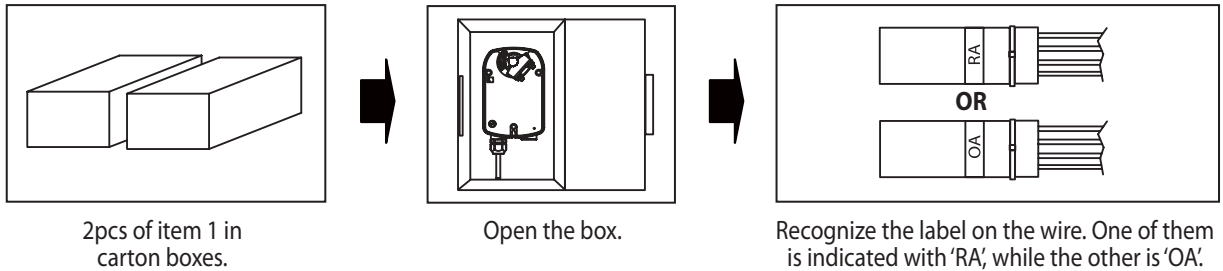


CAUTION 2

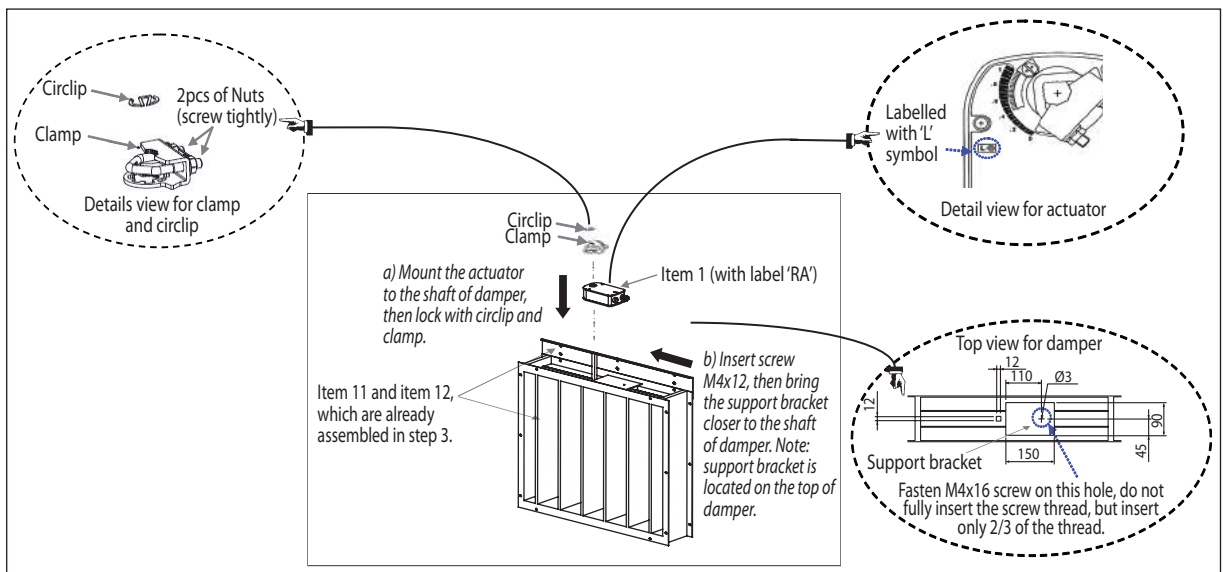
The surface of actuator which is facing upward/ outside shall be labelled with 'L' symbol to ensure the rotation of actuator modulation in clockwise direction. Fail to do so will cause errors during the operation of unit with economizer function.

Note

There are 2pcs of Belimo actuator, LF24-SR (item 1) in economizer kit which come together with carton boxes. Open the boxes and recognize the label on the wire. The actuator used in step 4 is the one with label 'RA'.



- Then, fastens 1pc screw M4x12 (item 14) on the support bracket of the damper. Do not fully insert the screw thread, but only insert up to 2/3 of the screw thread. Mount the actuator to the support bracket by bringing the support bracket closer to the shaft of damper. The function of screw M4x12 is to lock the actuator from slippery during modulation.
- Next, put the clamp into the shaft and lock the actuator with circlip. Fasten the nuts of clamp tightly by using adjustable spanner. Noted that clamp and circlip come together with actuator as the standard parts, you may find these parts inside the actuator box.



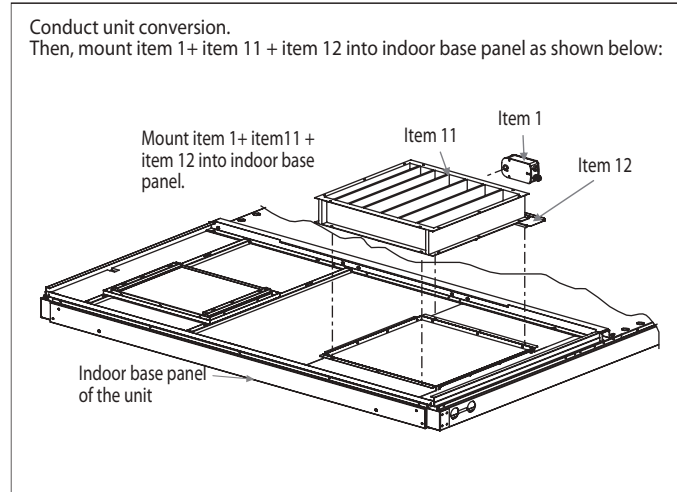
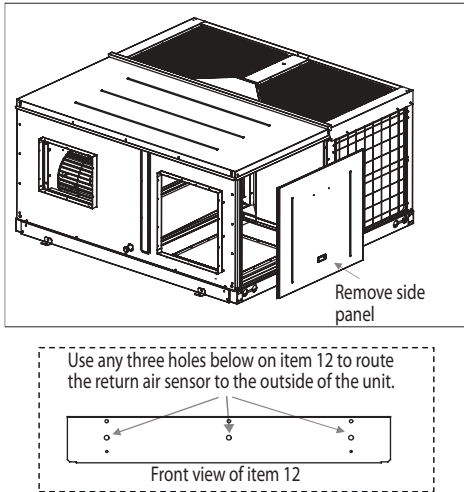
STEP 5

- Remove side panel. Conduct unit conversion from standard unit to downthrow unit by following the steps stated in part (G) under chapter "INSTALLATION OF THE UNIT" in this manual.
- Then, install the return air damper (item 11) + support bracket, down throw (item 12) + Belimo actuator, LF24-SR (item 1) which are already assembled in step 3 and step 4 into indoor base panel of the unit by using screw M5x16 (item 13).



CAUTION

Extend the return air sensor which is located inside the unit (on top of return air opening) to the outside area of the unit. This can be done by routing the sensor through small holes on support bracket, down throw (item 12). The sensor is then located properly inside the return air duct by using the cable ties (field supply). Failing to do so may affect the performance of the unit and cause thermal discomfort to the users. For model ECON0700 and UATYQ700, sensor routing can be done through the small hole on metal flange of down throw return air opening.



STEP 6

- Mount 1pc Belimo actuator, LF24-SR (item 1) to the side panel with outdoor air damper (item 2). Align and insert the hole of actuator to the shaft of the damper.



CAUTION 1

The default setting for outdoor air damper (item 2) shall be fully closed. Ensure this damper is in 'fully closed' position before mount the actuator. Fail to do so will cause errors during the unit normal operation.

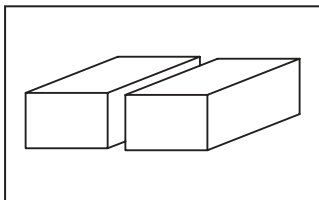


CAUTION 2

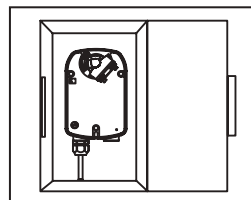
The surface of actuator which is facing upward/ outside shall be labelled with 'R' symbol to ensure the rotation of actuator modulation in counter clockwise direction. Fail to do so will cause errors during the operation of unit with economizer function.

Note

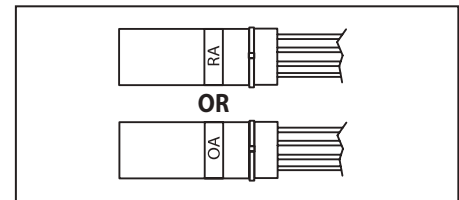
There are 2pcs of Belimo actuator, LF24-SR (item 1) in economizer kit which come together with carton boxes. Open the boxes and recognize the label on the wire. The actuator used in step 6 is the one with label 'OA'.



2pcs of item 1 in carton boxes.

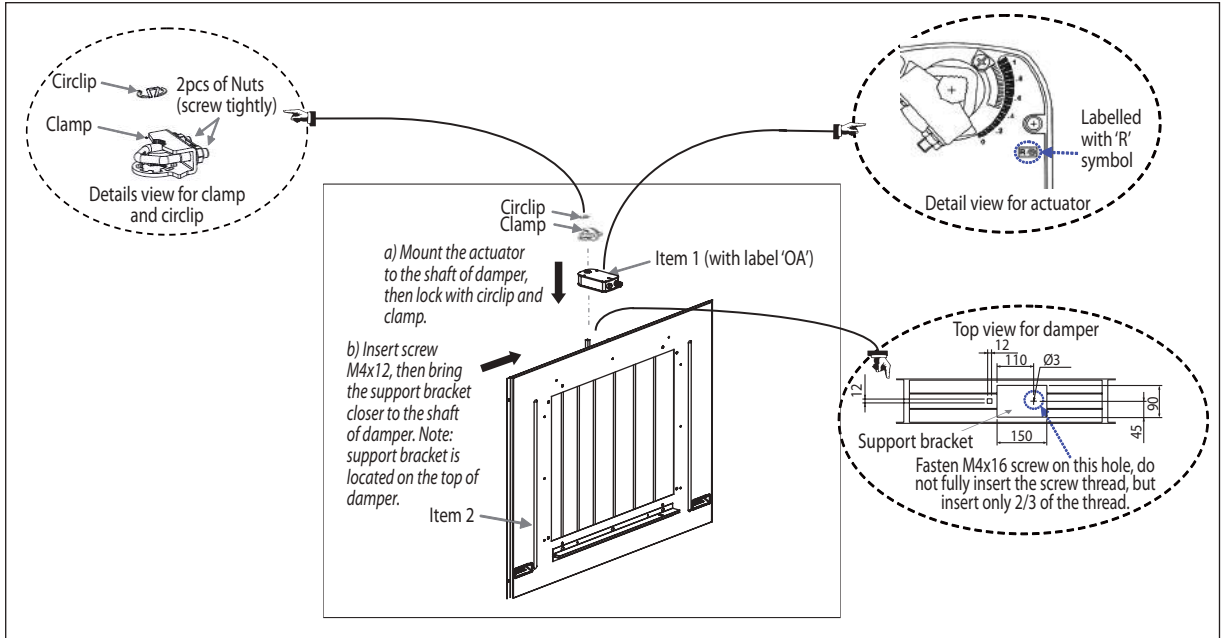


Open the box.



Recognize the label on the wire. One of them is indicated with 'RA', while the other is 'OA'.

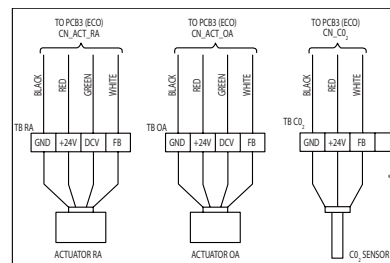
- Then, fastens 1pc screw M4x12 (item 14) on the support bracket of the damper. Do not fully insert the screw thread, but only insert up to 2/3 of the screw thread. Mount the actuator to the support bracket by bringing the support bracket closer to the shaft of damper. The function of screw M4x12 is to lock the actuator from slippery during modulation.
- Next, put the clamp into the shaft and lock the actuator with circlip. Fasten the nuts of clamp tightly by using adjustable spanner. Noted that clamp and circlip come together with actuator as the standard parts, you may find these parts inside the actuator box.



STEP 7

- Connect Belimo actuator, LF24-SR (item 1) with label 'RA', which is now located at the assembly damper on the indoor base panel to terminal block with label 'RA' inside the junction box.
- There are four wires on the actuator with different colours (black, red, green and white colours). Connect the wires as below:

- Black colour wire - connect to first pole of terminal block with label 'GND'.
- Red colour wire - connect to second pole of terminal block with label '+24V'.
- Green colour wire - connect to third pole of terminal block with label 'DCV'.
- White colour wire - connect to fourth pole of terminal block with label 'FB'.



Sticker wiring diagram on the front cover of junction box

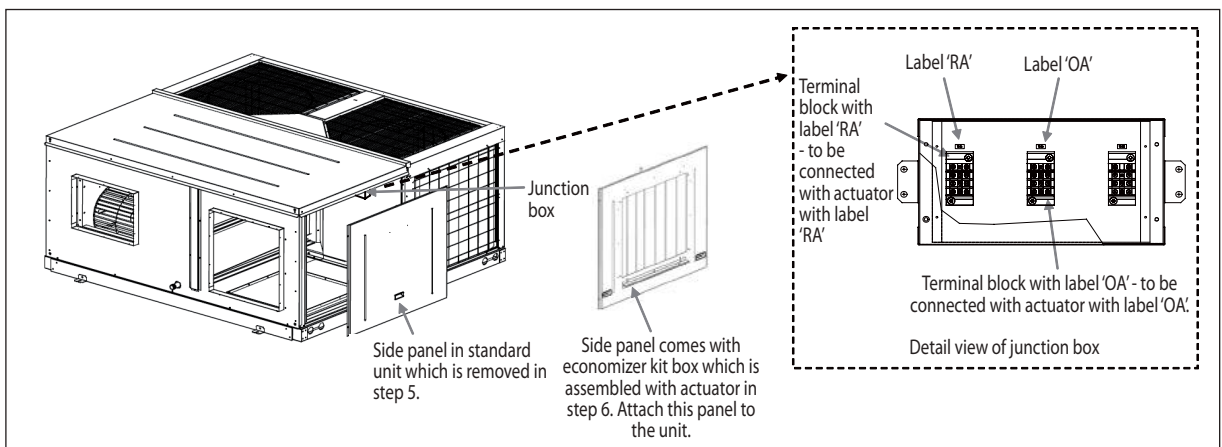
(You may refer to sticker wiring diagram which is located on the front cover of junction box.)



CAUTION

Wrong wiring connection may cause the malfunction on actuator or economizer controller board or both. Tie the wires with releasable cable ties under the junction box.

- Then, connect Belimo actuator, LF24-SR (item 1) with label 'OA', which is now located at the assembly damper on the side panel to terminal block with label 'OA' inside the same junction box. Follow the same method used for wiring connection between actuator 'RA' and terminal block 'RA'. Next, attach the side panel to the unit. You may need to do proper arrangement on the actuator wires by using cable ties (field supply) before attach the side panel to the unit.

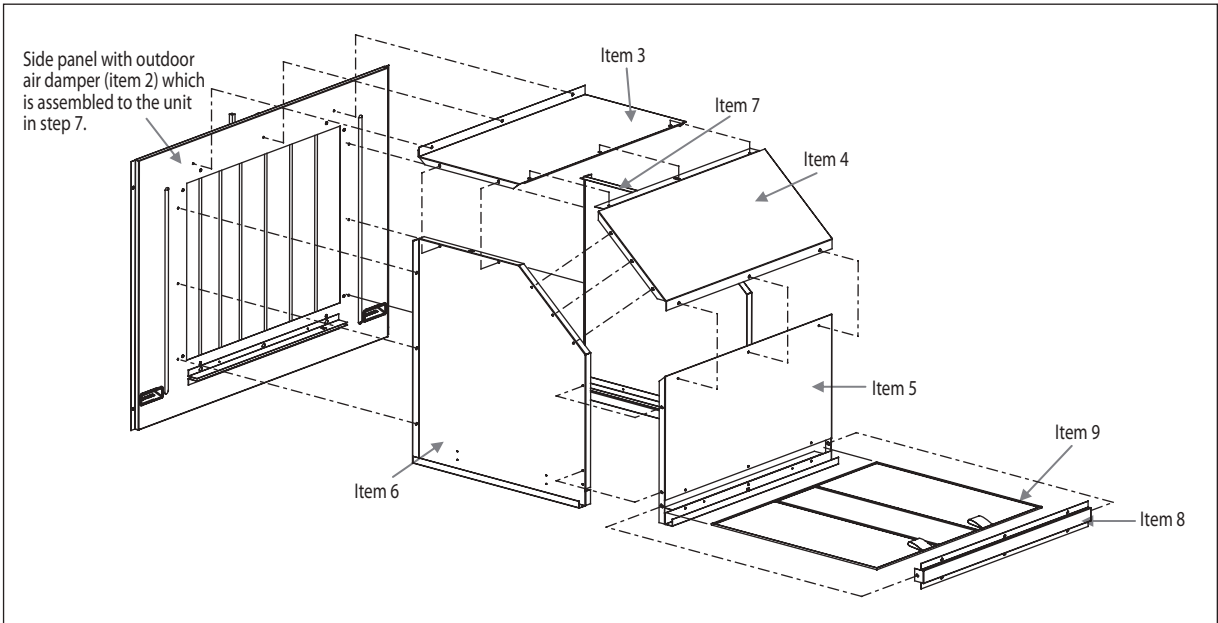


STEP 8

- To build the rain hood, install the loose parts (metal parts) to the side panel. Before that, place the gasket (field supply) on the side panel for sealing purpose.
- Then, follow the installation sequence below to build the rain hood:

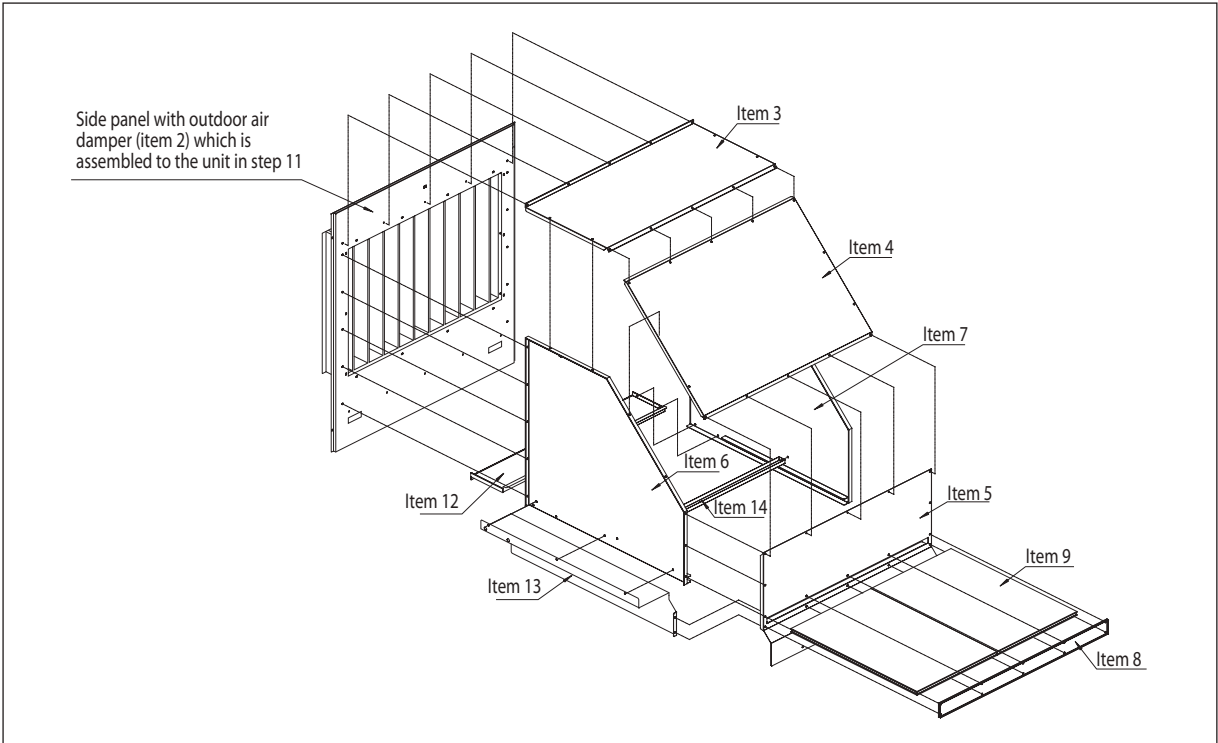
Model : UATYQ 250, 350, 450, 550, 600, 700

Gasket
 Item 2 -----> Item 6 -----> Item 7 -----> Item 3 -----> Item 4 -----> Item 5 -----> Item 9 -----> Item 8 -----> Sealant



Model : UATYQ 900

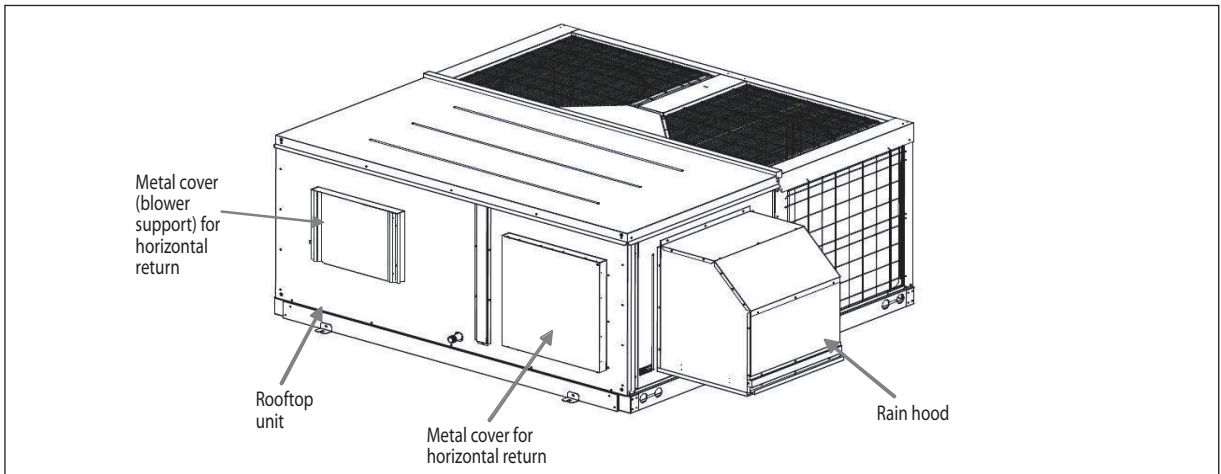
Gasket
 Item 2 -----> Item 6 -----> Item 7 -----> Item 12 -----> Item 14 -----> Item 5 -----> Item 4 -----> Item 3 -----> Item 13 -----> Item 9 -----> Item 8 -----> Sealant



- It is recommended to seal off all the joints and gaps with weather-proof sealant (such as silicone, field supplied item) in order to ensure a water-proof finishing on the rain hood.

STEP 9 & STEP 10 (for UATYQ900 only).

- Finally, you may see the unit with economizer kit as shown in the diagram below:
- When roof curb is required for down throw application, refer to the recommendation in part (C) under chapter "INSTALLATION OF THE UNIT" in this manual.



Note

Unit shown in the diagrams from step 1 to step 9 are UATYQ350. Other models shall follow the same method. Unit shown in the diagrams from step 1 to step 10 are UATYQ900. Other models shall follow the same method.

E Commissioning

(i) Airflow Resistance

Airflow resistance refers to pressure drop caused by the economizer kit. Before installation, it is recommended to check the pressure drop table which is provided in Engineering Data Book in order to do a correct design selection.

(ii) Performance Adjustment

Performance of the unit will derate when the unit operates with fresh air mode, it depends on user's selection. Before installation, it is recommended to check the correction factor table which is provided in Engineering Data Book in order to do a correct design selection.

(iii) Mode Selection

Generally, the kit provides two mode selection, which are Economizer Mode and Fresh Air Mode.

- Economizer Mode: Provide 'free' cooling when the outdoor air temperature is suitable. It can be used alone or in conjunction with mechanical cooling.
- Fresh Air Mode: Provide minimum fresh air that is necessary for ventilation or local requirements.

Note

Refer to hardware setting guideline provided in part (D) (v) under chapter "CONTROL OPERATION GUIDE" in this manual for mode selection.

(iv) Minimum Fresh Air Selection

The kit provides minimum fresh air selection from 0~25% for both cool and heat mode. While the economizer mode & fan mode can provide up to maximum 85% of fresh air.

Note

Refer to hardware setting guideline provided in part (D) (v) under chapter "CONTROL OPERATION GUIDE" in this manual for minimum fresh air selection.

(v) Overcooled Protection Feature

Thermal discomfort may happen during the cold ambient due to the outdoor air damper opening. This situation can be avoided when the overcooled protection feature is activated.

Note

Refer to hardware setting guideline provided in part (D) (v) under chapter "CONTROL OPERATION GUIDE" in this manual for the activation of overcooled protection setting.

(vi) Operating Range

The applicable operating range for unit with economizer feature same like normal unit. Refer to chapter "OPERATING RANGE" in this manual.

However, the restriction of fresh air opening will occur in high ambient or low ambient in order to ensure the reliability of the unit. Refer to Engineering Data Book for detail information.



CAUTION

The performance will be reduced at high ambient or low ambient, refer item (E)(ii).

(vii) Optional Air Filter

There is a 2" filter slot inside the unit. Optional filter (field supplied) is recommended as the second layer filtration since outdoor air damper opening may bring in dust and dirt.

F Service And Maintenance

(i) Service of the filter

Airflow resistance may increase when the filter becomes dirty. Thus, clean the filter regularly with at least once every 2 weeks. Air filter in rain hood which is exposed to outdoor environment may have chance to be damaged by vermins or animals. Replace the air filter when it is damaged.

(ii) Service of the indoor compartment

Outdoor air damper opening may still bring in dust and dirt as hood filter cannot fully filter the dirt particles. Thus, indoor compartment must be cleaned as well during the service of filter.

(iii) Service of the damper

Wipe the dirty damper, especially outdoor air damper which is exposed to the environment all the time.

Note

Refer to chapter "SERVICE AND MAINTENANCE" in this manual.

G Demand Ventilation Control

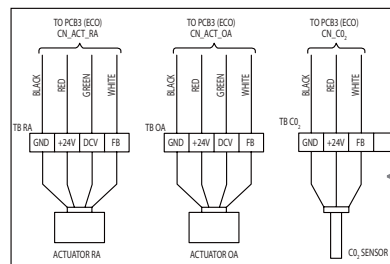
- One technique to reduce energy consumption while maintain adequate air quality is demand controlled ventilation. Instead of setting at a fixed air replacement rate, carbon dioxide sensor (CO₂ sensor) is used to control the rate dynamically, based on the emissions of actual building occupants.
- CO₂ sensor is an optional component supplied in field. Refer to the information below for the recommendation of CO₂ sensor selection:
 - (i) Type: Duct-mounted type
 - (ii) Power input: 24 VDC, 50Hz
 - (iii) Operating temperature range: 0 ~ 52°C
 - (iv) Ambient temperature range: -15 ~ 52°C
 - (v) Measuring range: 0 ~ 5000 PPM (depends on the application)
 - (vi) Output voltage: 2 ~ 10 VDC
 - (vii) Wire size: AWG18
 - (viii) Maximum allowable current: 7A
 - (ix) Compliance standards: To follow local and national regulations
- The economizer controller comes with a build-in software which is ready with the integration of CO₂ sensor. It is activated only in economizer mode. User is allowed to choose the different threshold value selection via Dip switch 3. Refer to hardware setting guideline provided in part (D) (v) under chapter "CONTROL OPERATION GUIDE" in this manual for CO₂ PPM level threshold value selection.

For example: To use a CO₂ sensor with measuring range from 0 ~ 5000 PPM with the threshold value at 1250PPM, user needs to do the following steps:-

 - Step 1: Enable SW4 in the only Dip Switch in controller main board to ON position (default factory setting is in OFF position).
 - Step 2: Enable panel parameter G6 (economizer control) in remote controller to '1' (ON) position (default factory setting is in '0' (OFF) position).
 - Step 3: Ensure SW2 in Dip Switch 4 (Economizer controller board) is in OFF position (default factory setting is in OFF position).
 - Step 4: Enable SW1 in Dip Switch 3 (Economizer controller board) to ON position (default factory setting is in OFF position).

{ SW1 in Dip Switch 3 = 25%, by calculation means 25% of 5000 PPM or equivalent to 1250 PPM }.
- If the CO₂ sensor is exposed to outdoor environment, cover the sensor with a splash proof (IPX4) box with screw as locking mechanism or similar method to prevent water from entering into the CO₂ sensor and also to avoid possible contact with the sensor. The connection of CO₂ sensor is considered a LIVE part.
- Then, connect the wire from CO₂ sensor to the junction box in the indoor compartment of the unit. There are three wires on CO₂ sensor. Connect the wires as below:

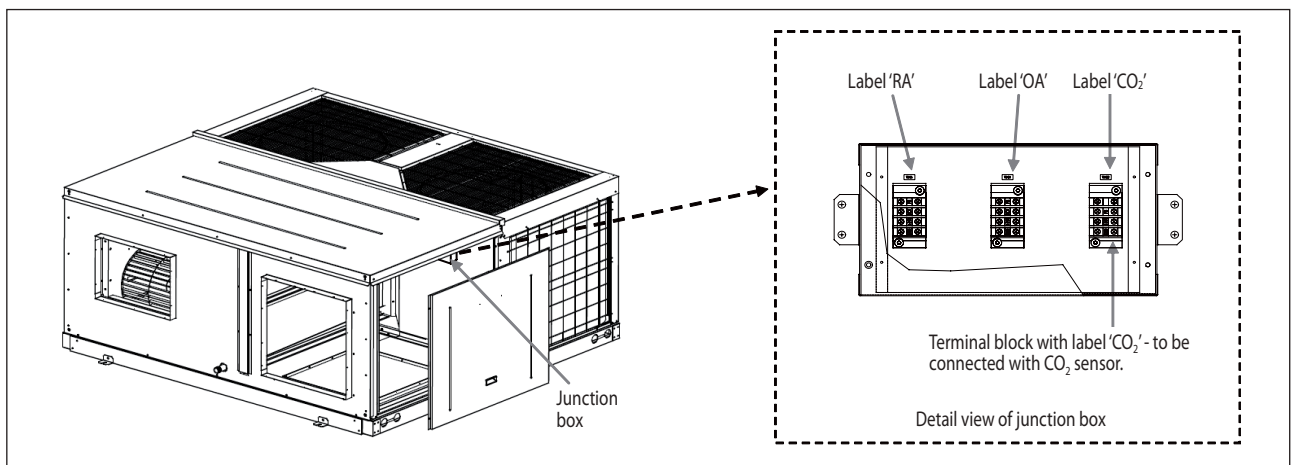
- System ground wire - connect to first pole of terminal block with label 'GND'.
 - +24VDC live wire - connect to second pole of terminal block with label '+24V'.
 - Output/ feedback signal wire - connect to third pole of terminal block with label 'FB'.
- (You may refer to sticker wiring diagram which is located on the front cover of junction box.)



Sticker wiring diagram on the front cover of junction box

CAUTION

Wrong wiring connection may cause the malfunction on CO₂ sensor or economizer controller board or both. Tie the wires with releasable cable ties under the junction box.



H Others

(i) **Limitation Of Economizer Kit In Thermostat Control**

Thermostat control is used with third party controller and thus the setting temperature of specific application cannot be known. For this case, it is recommended to use remote controller to set the required setting temperature before the hardware setting for thermostat control is conducted.

Note

Refer to hardware setting guideline provided in part (D) (v) under chapter "CONTROL OPERATION GUIDE" in this manual for mode selection.

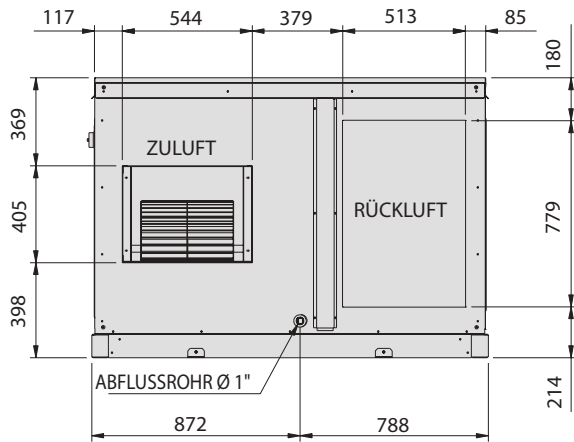
(ii) **Necessary For Pressure Relief**

Presence of fresh air may cause higher pressure to the room and discomfort to the users. When necessary, it is recommended to install a pressure relief damper in the return duct.

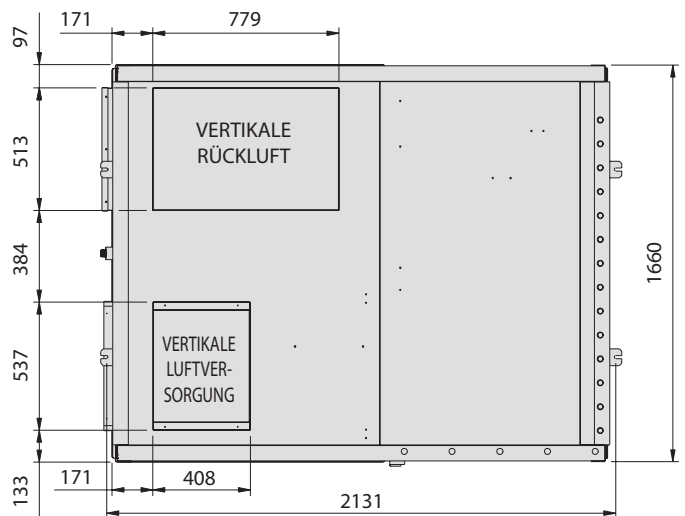
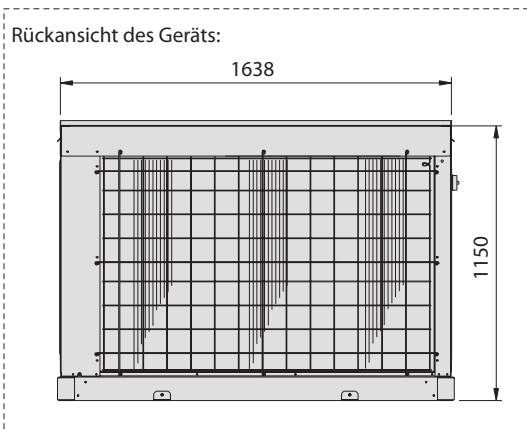
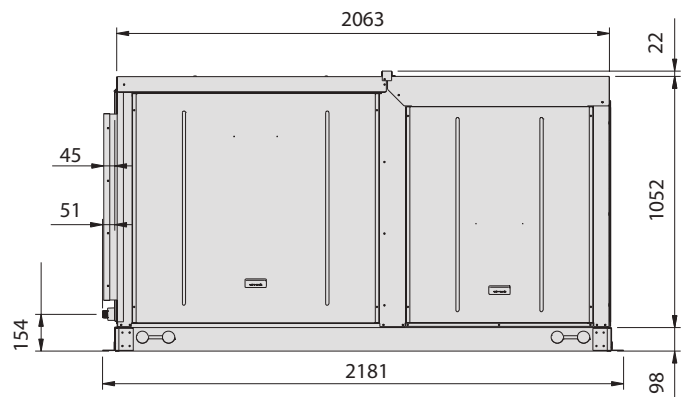
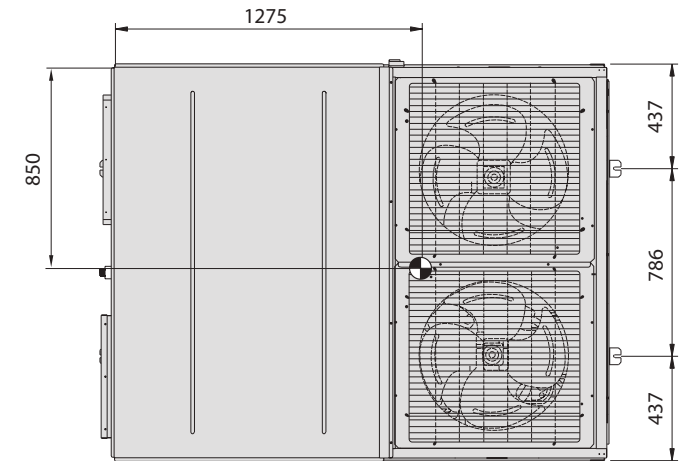
AUSLEGUNG UND ABMESSUNGEN

Modell: UATYQ250

Alle Dimensionen sind in mm



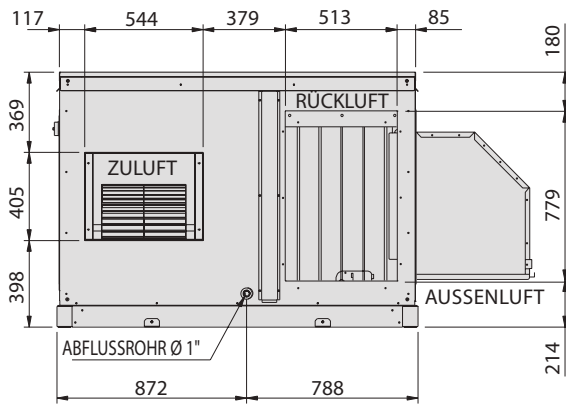
FÜR HORIZONTALENTLADUNG



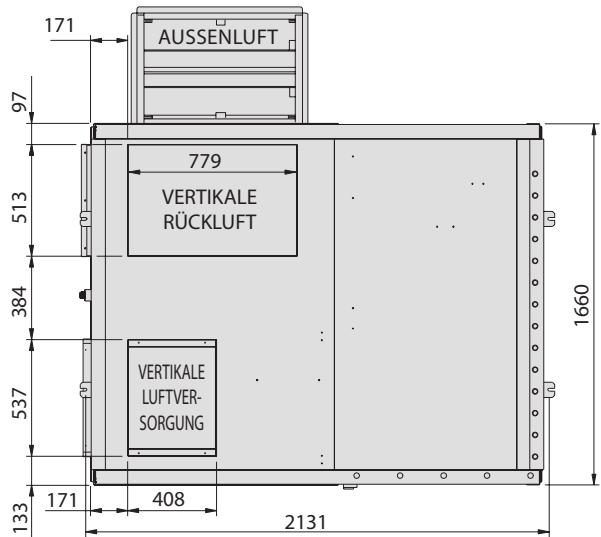
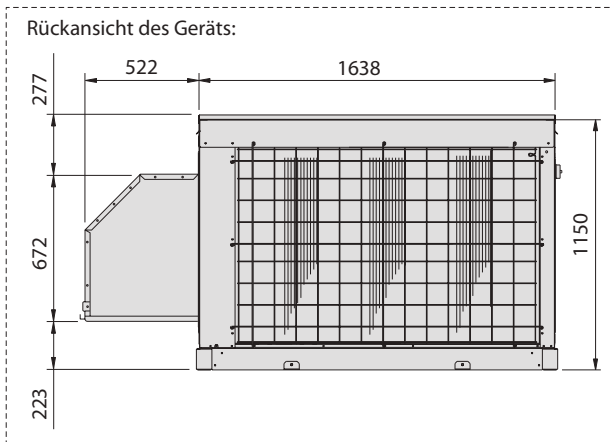
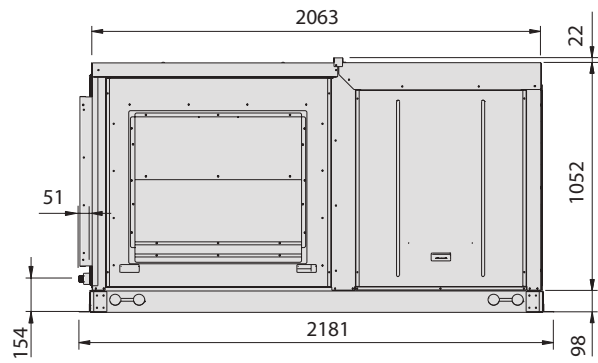
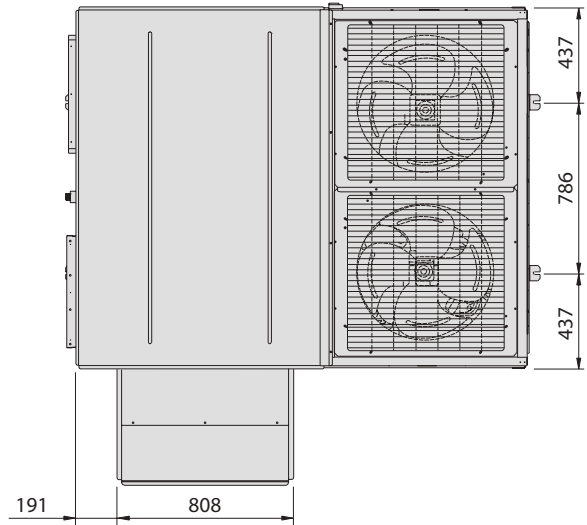
FÜR VERTIKALENTLADUNG

Modell: UATYQ250 MIT DER OPTION WÄRMETAUSCHER

Alle Dimensionen sind in mm

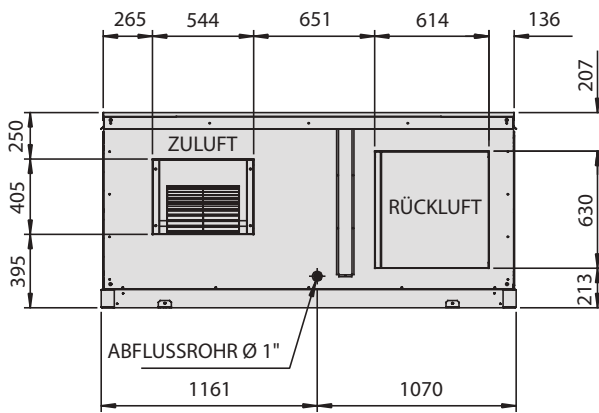
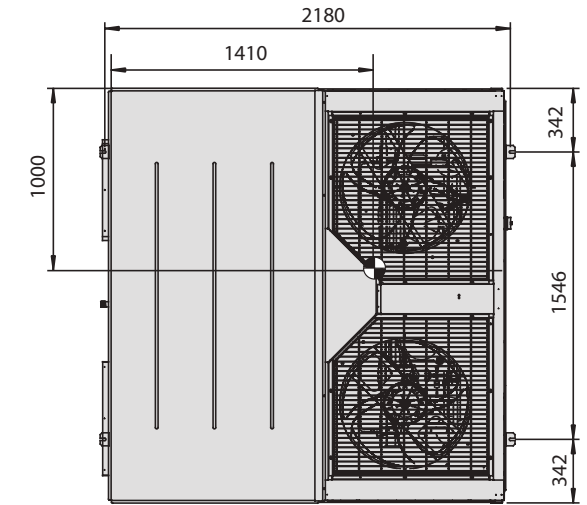


FÜR HORIZONTALTLADUNG

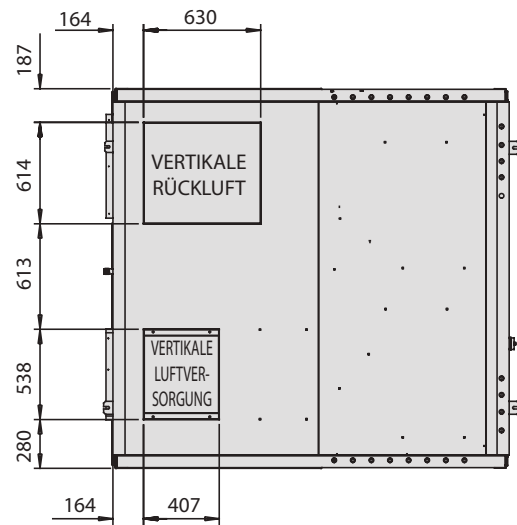
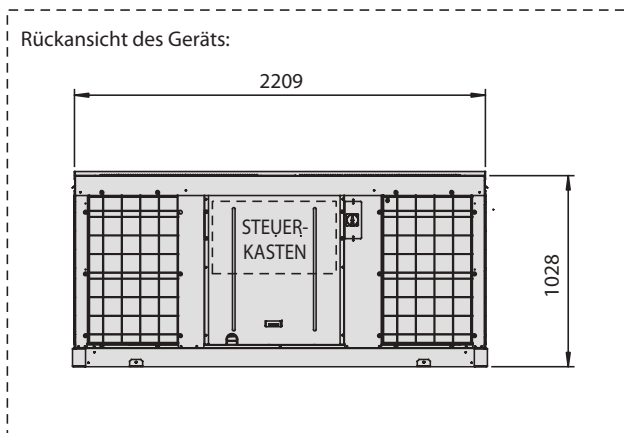
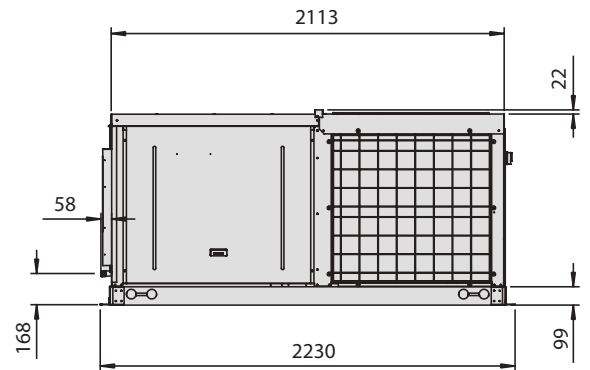


FÜR VERTIKALTLADUNG

Alle Dimensionen sind in mm



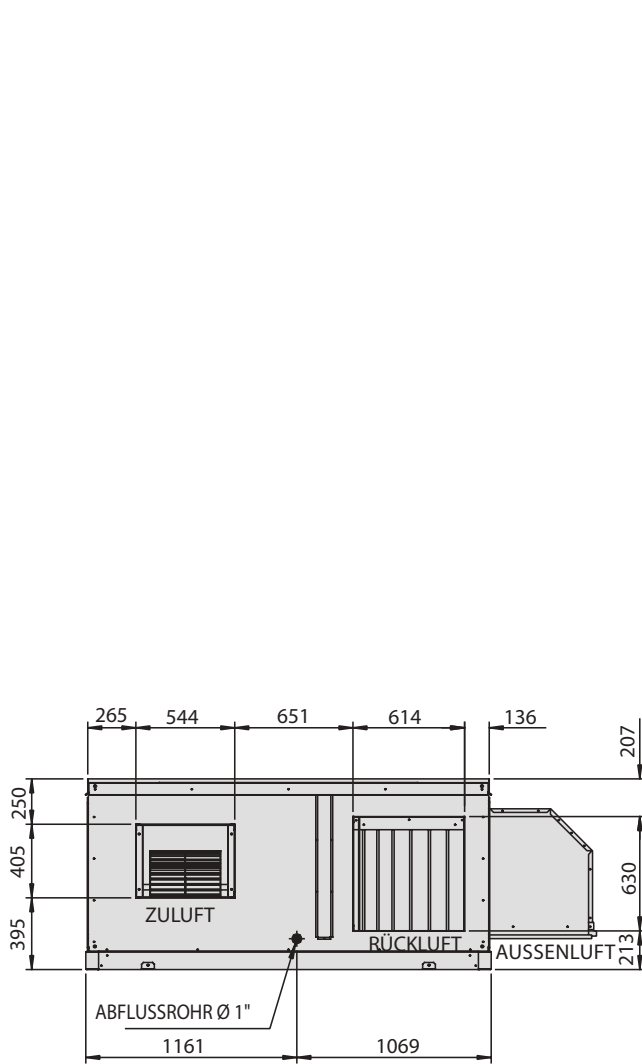
FÜR HORIZONTALENTLADUNG



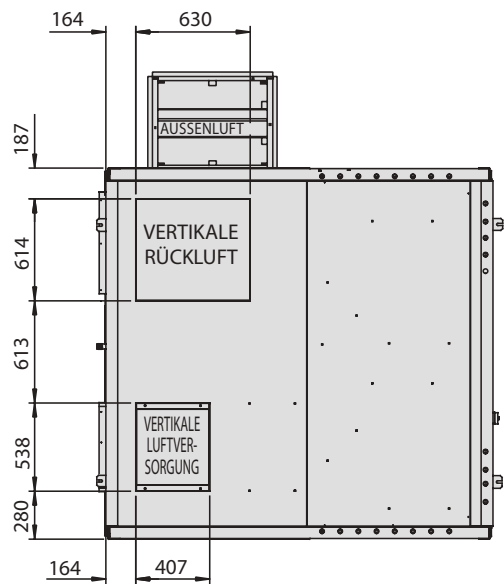
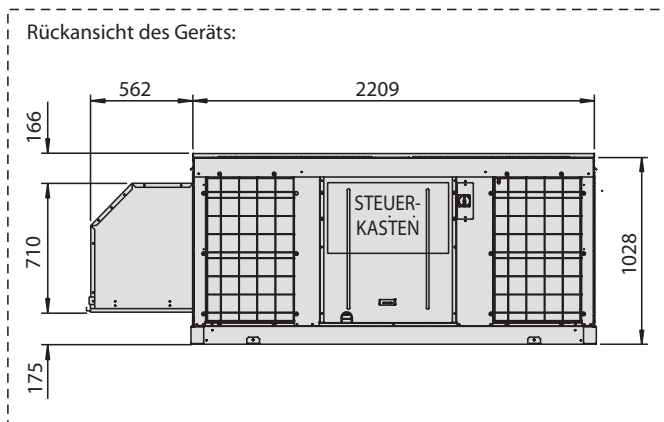
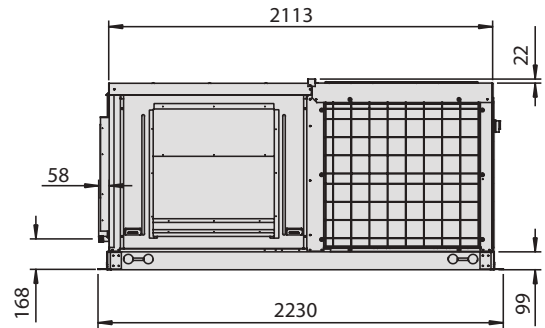
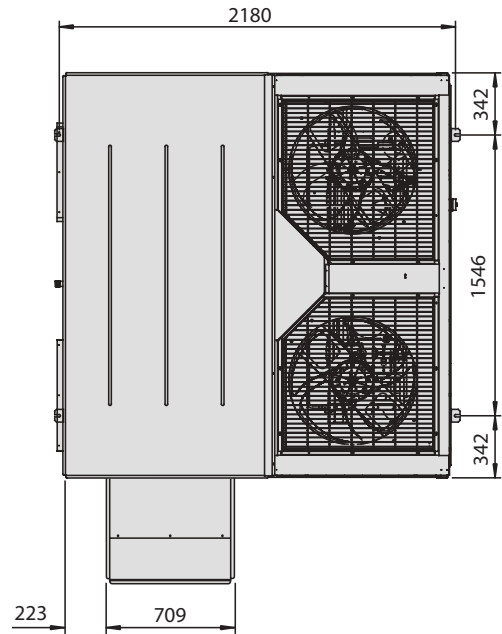
FÜR VERTIKALENTLADUNG

Modell: UATYQ350 MIT DER OPTION WÄRMETAUSCHER

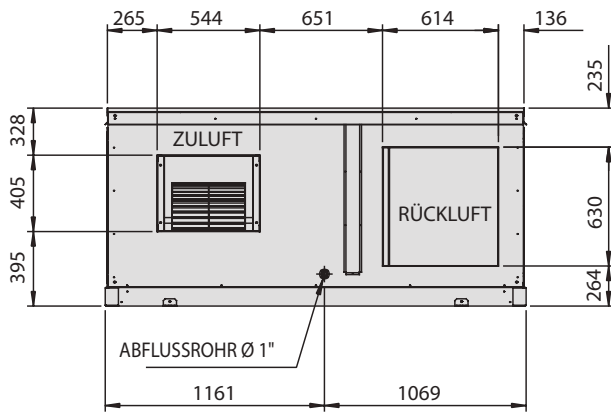
Alle Dimensionen sind in mm



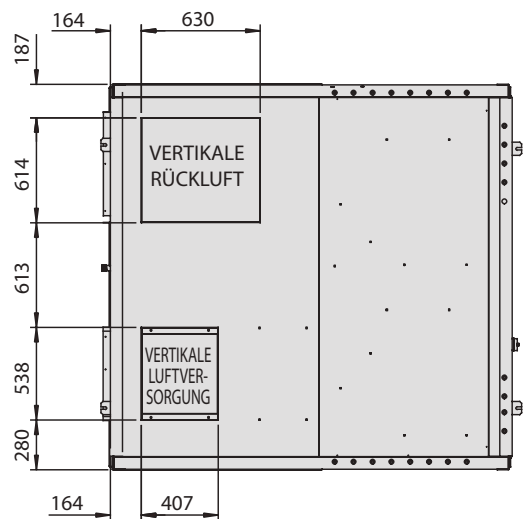
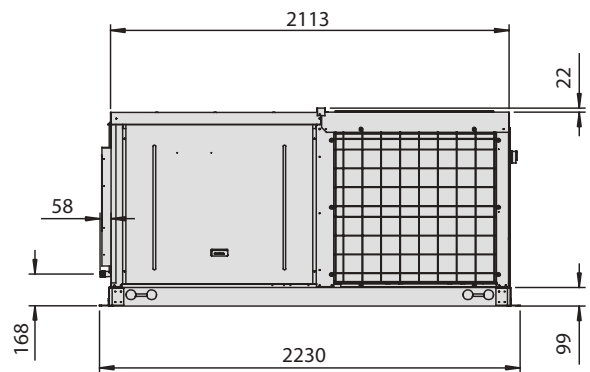
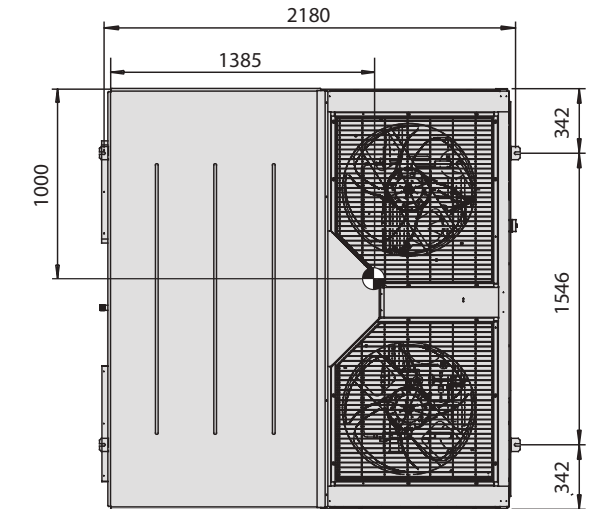
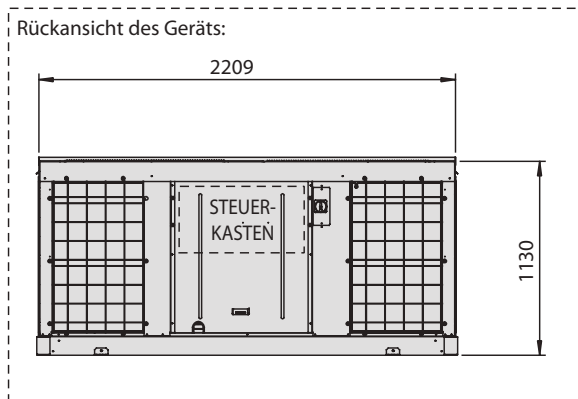
FÜR HORIZONTALTLADUNG



FÜR VERTIKALTLADUNG



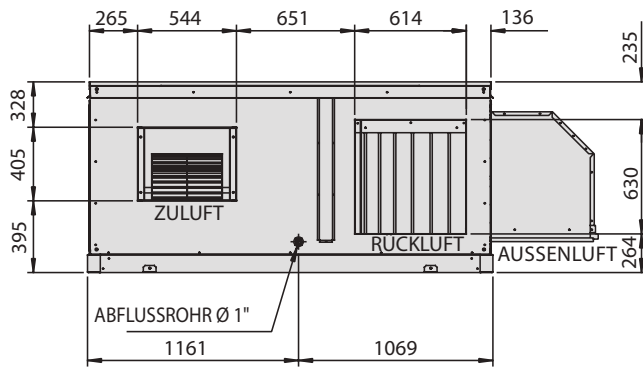
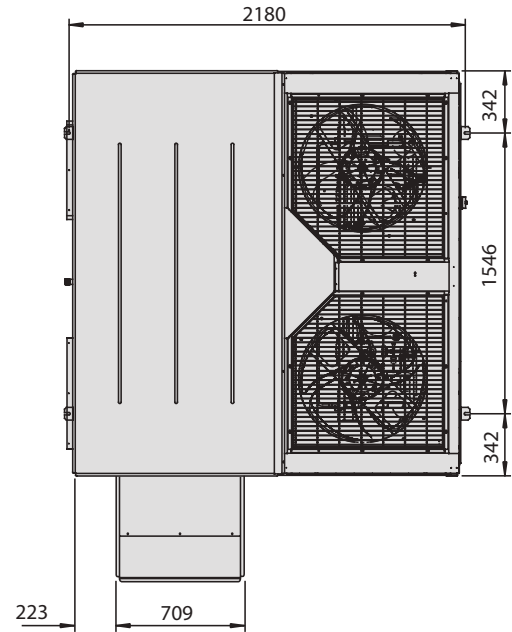
FÜR HORIZONTALENTLADUNG



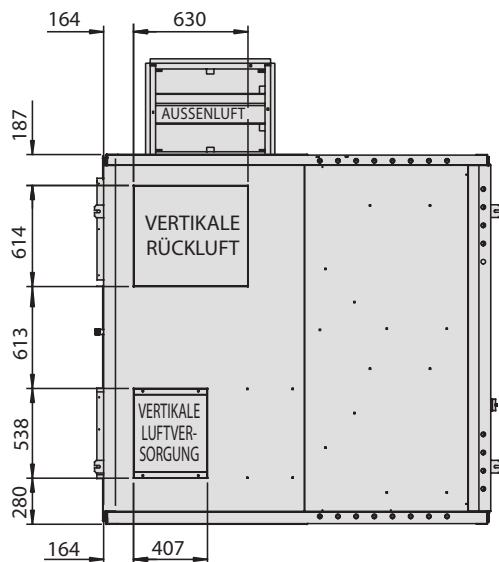
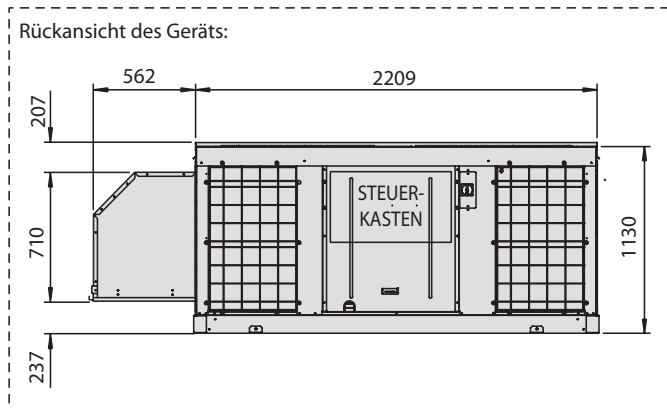
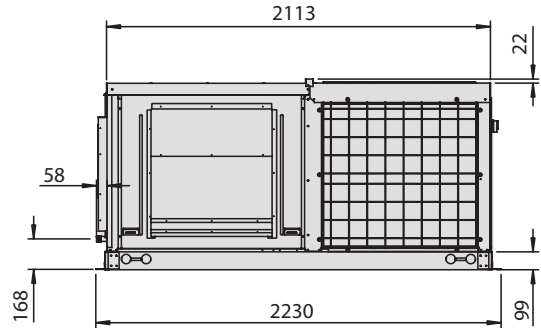
FÜR VERTIKALENTLADUNG

Modell: UATYQ450 MIT DER OPTION WÄRMETAUSCHER

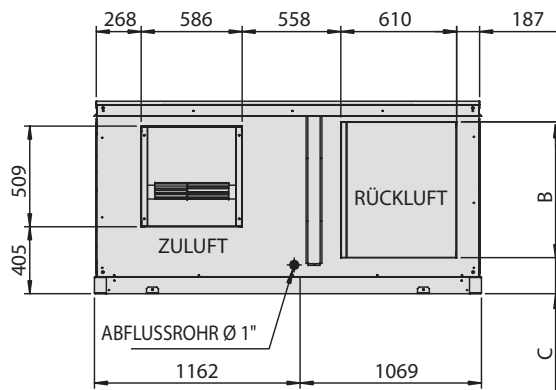
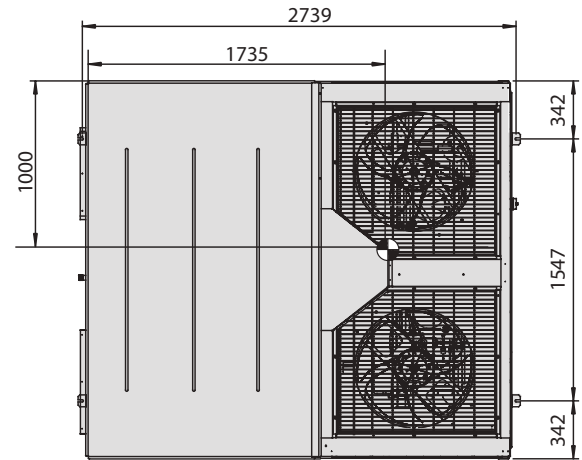
Alle Dimensionen sind in mm



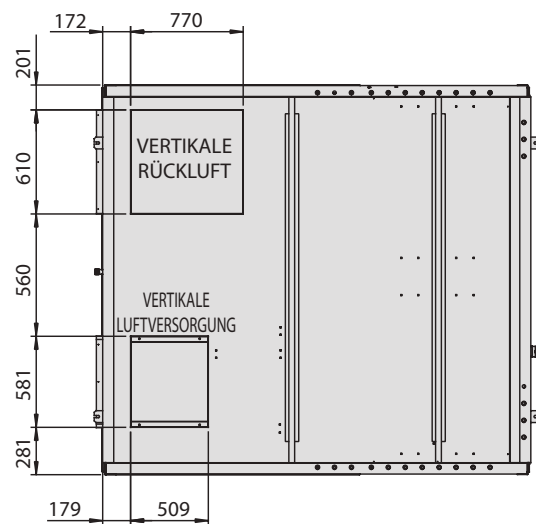
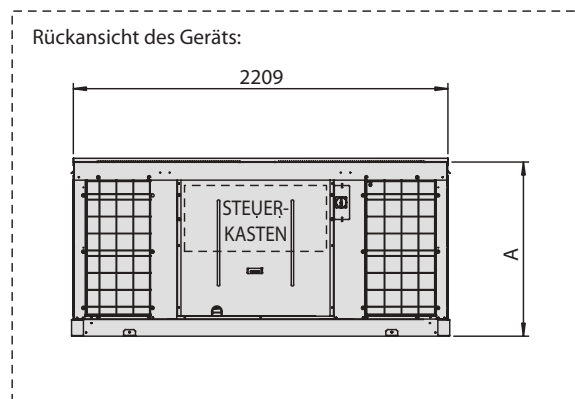
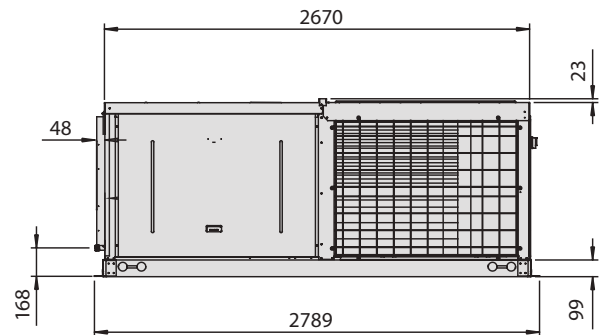
FÜR HORIZONTALENTLADUNG



FÜR VERTIKALENTLADUNG



FÜR HORIZONTALENTLADUNG

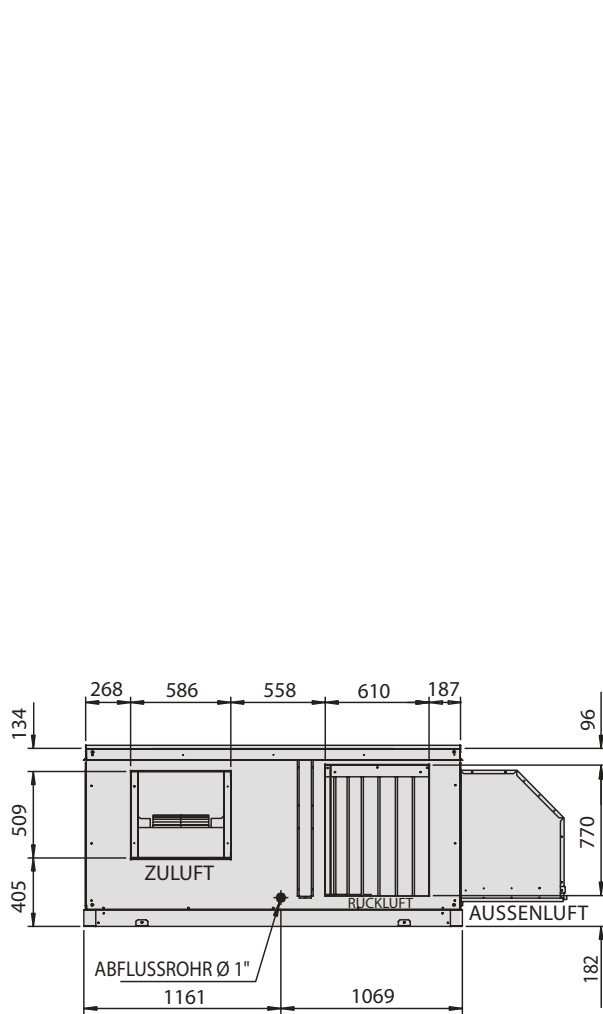


FÜR VERTIKALENTLADUNG

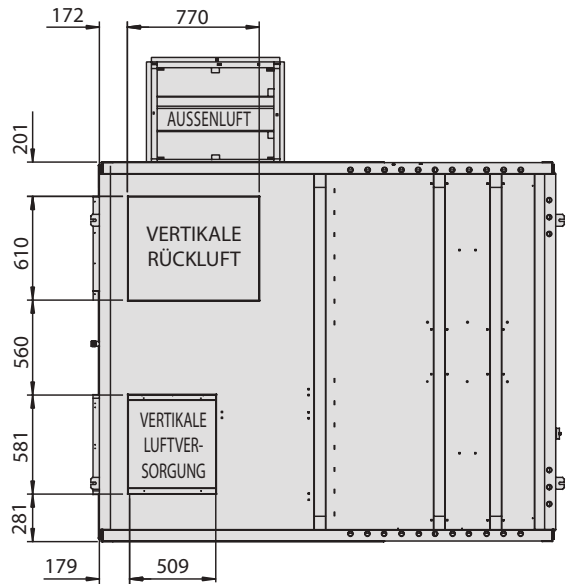
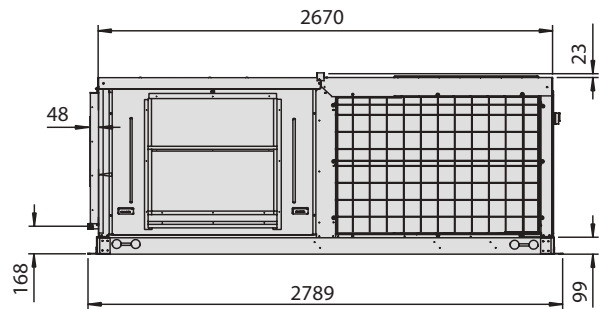
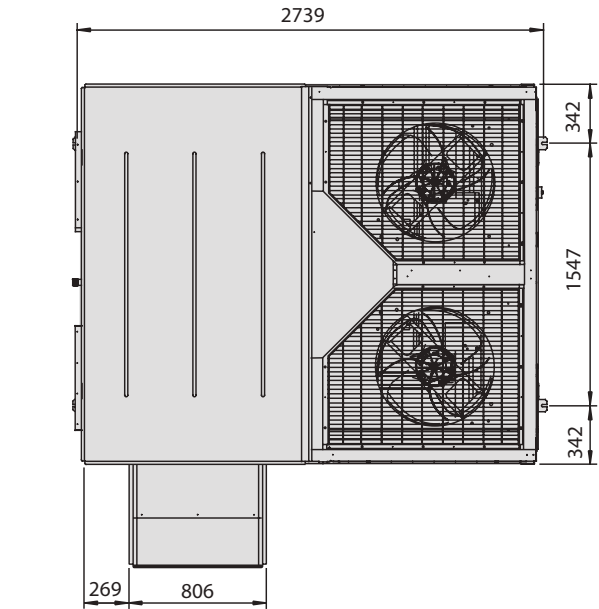
Modell (UATYQ)	550	600	700	900
A	1048	1302	1454	1454
B	770	770	1176	1176
C	182	322	182	182

Modell: UATYQ550 MIT DER OPTION WÄRMETAUSCHER

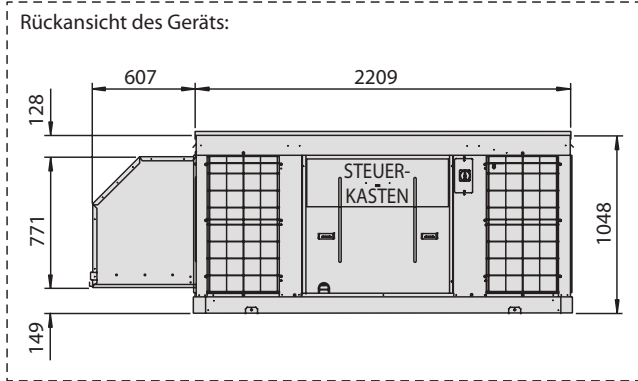
Alle Dimensionen sind in mm



FÜR HORIZONTALENTLADUNG



FÜR VERTIKALENTLADUNG

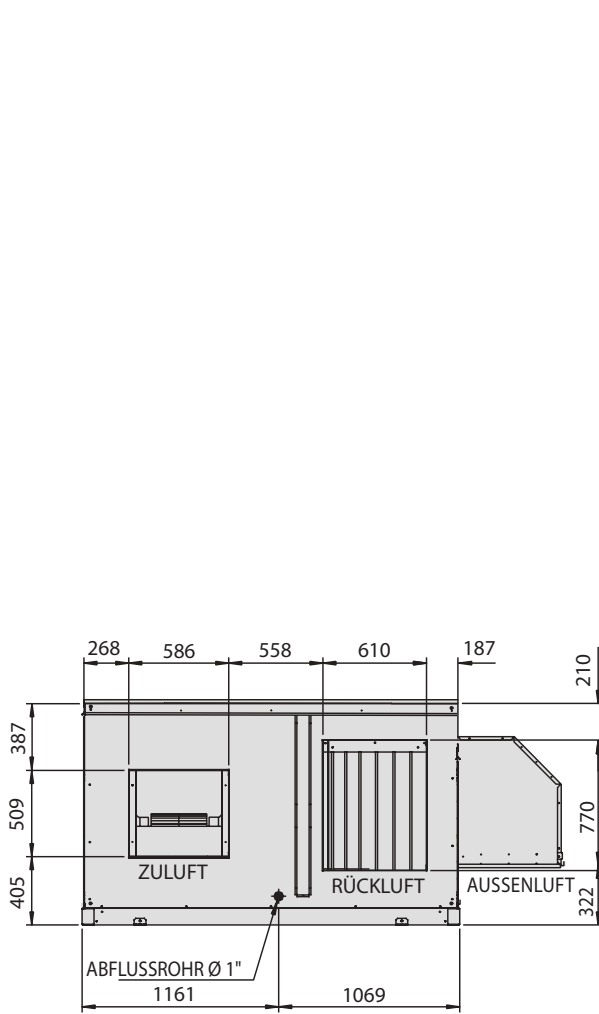


Rückansicht des Geräts:

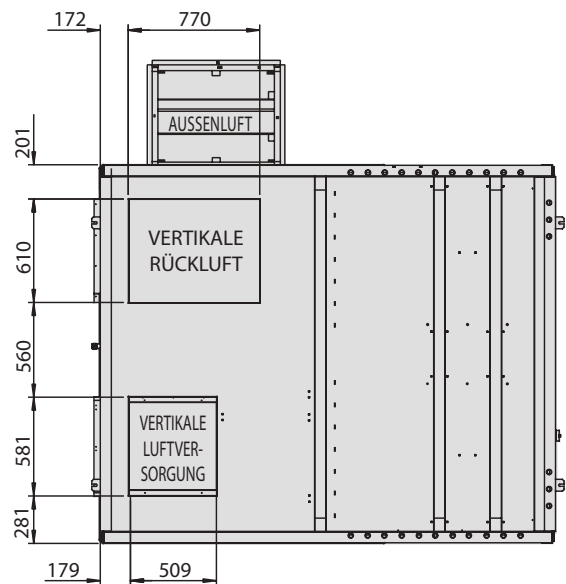
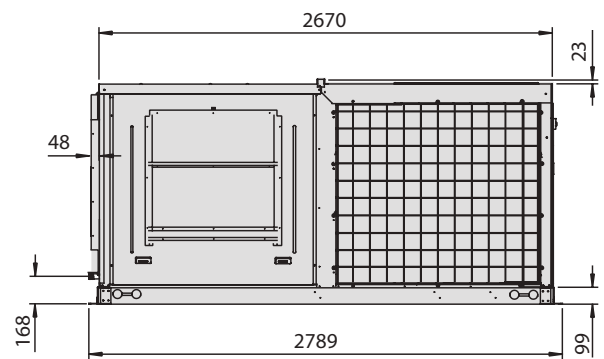
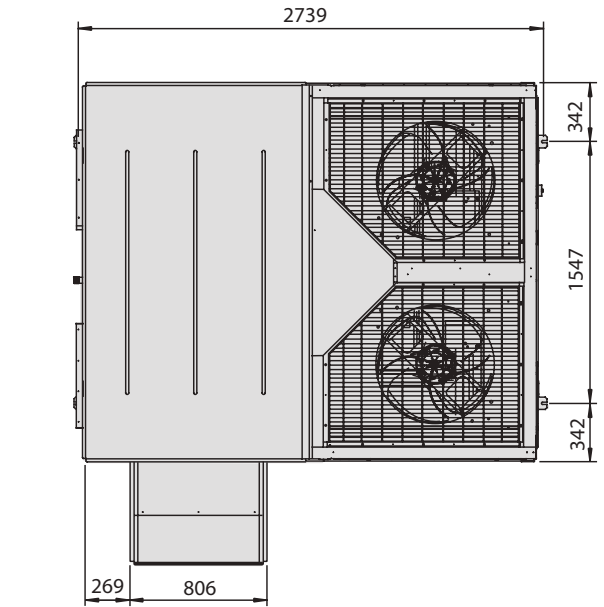
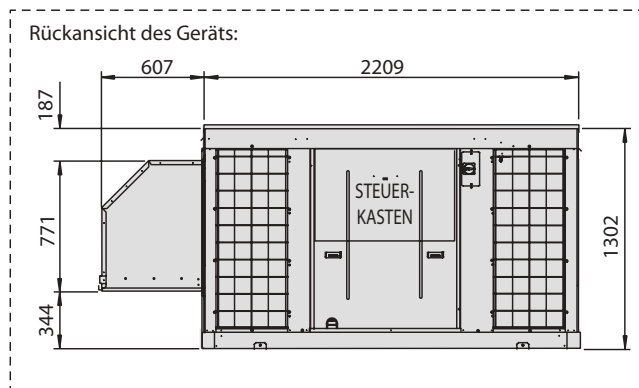
Modell: UATYQ600 MIT DER OPTION WÄRMETAUSCHER

Alle Dimensionen sind in mm

DEUTSCH



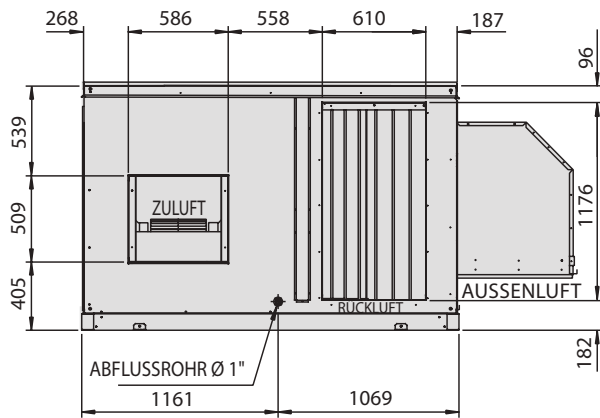
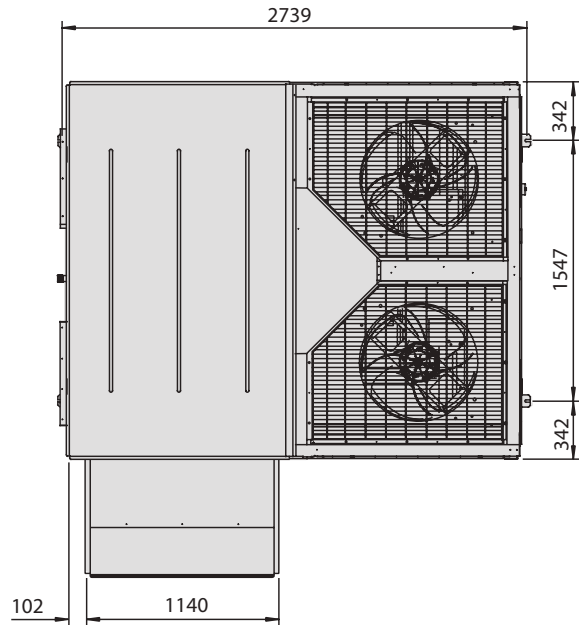
FÜR HORIZONTALENTLADUNG



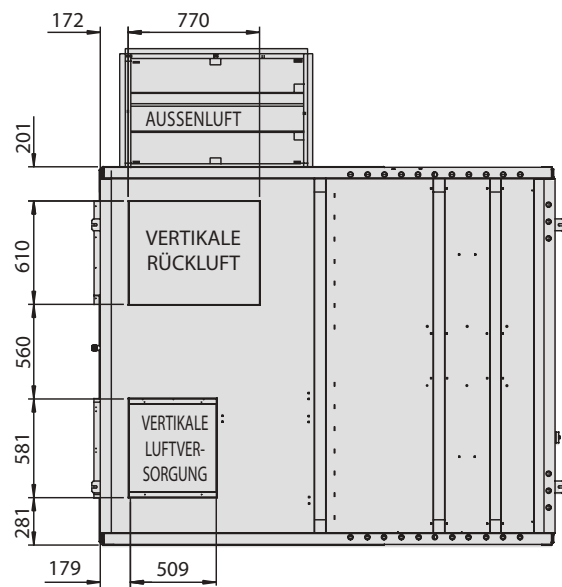
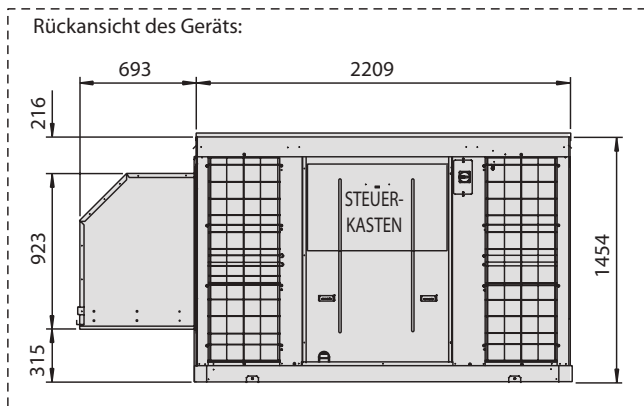
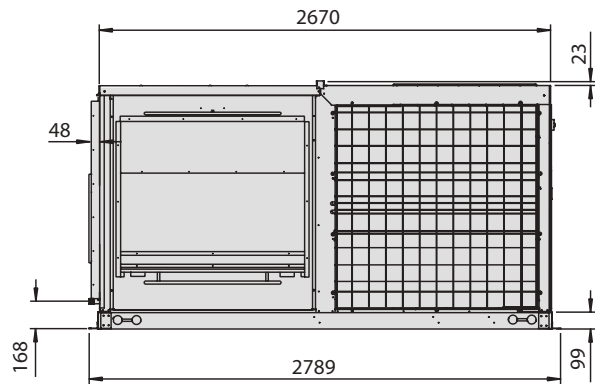
FÜR VERTIKALENTLADUNG

Modell: UATYQ700 MIT DER OPTION WÄRMETAUSCHER

Alle Dimensionen sind in mm



FÜR HORIZONTALENTLADUNG

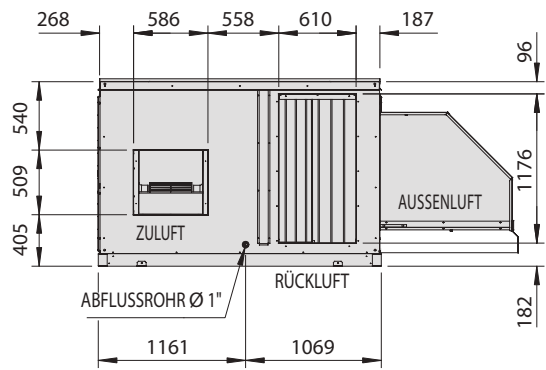


FÜR VERTIKALENTLADUNG

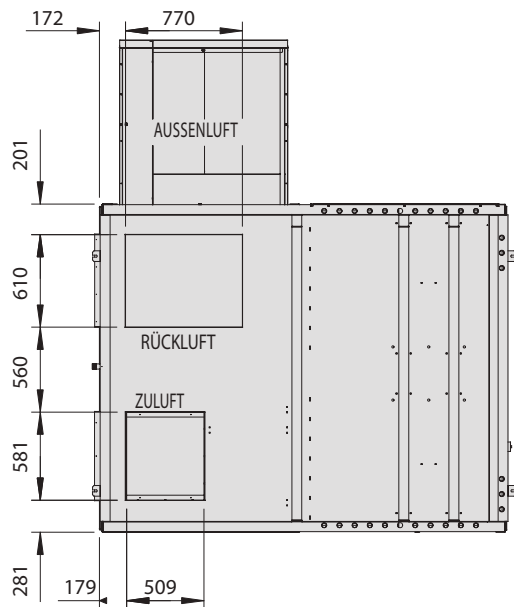
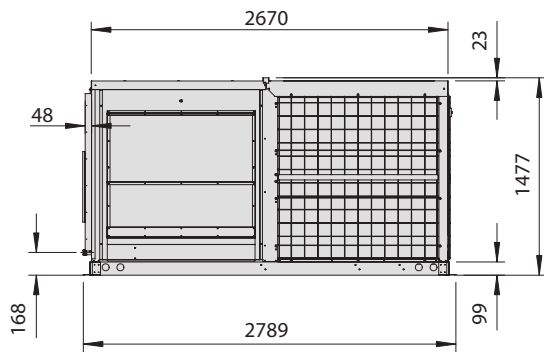
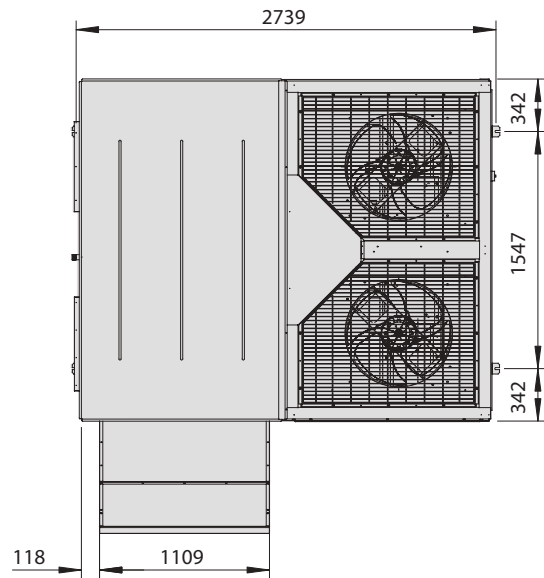
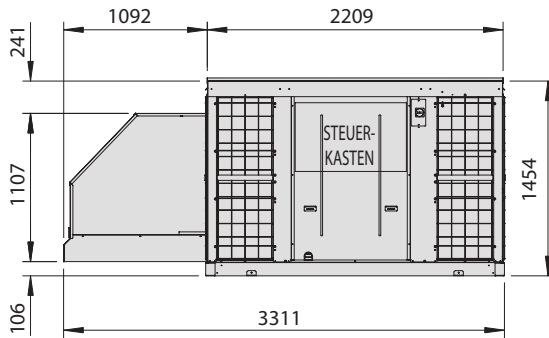
Modell: UATYQ900 MIT DER OPTION WÄRMETAUSCHER

Alle Dimensionen sind in mm

DEUTSCH



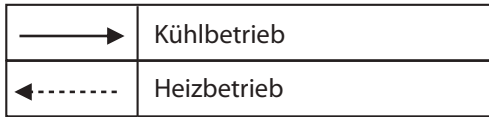
FÜR HORIZONTALENTLADUNG



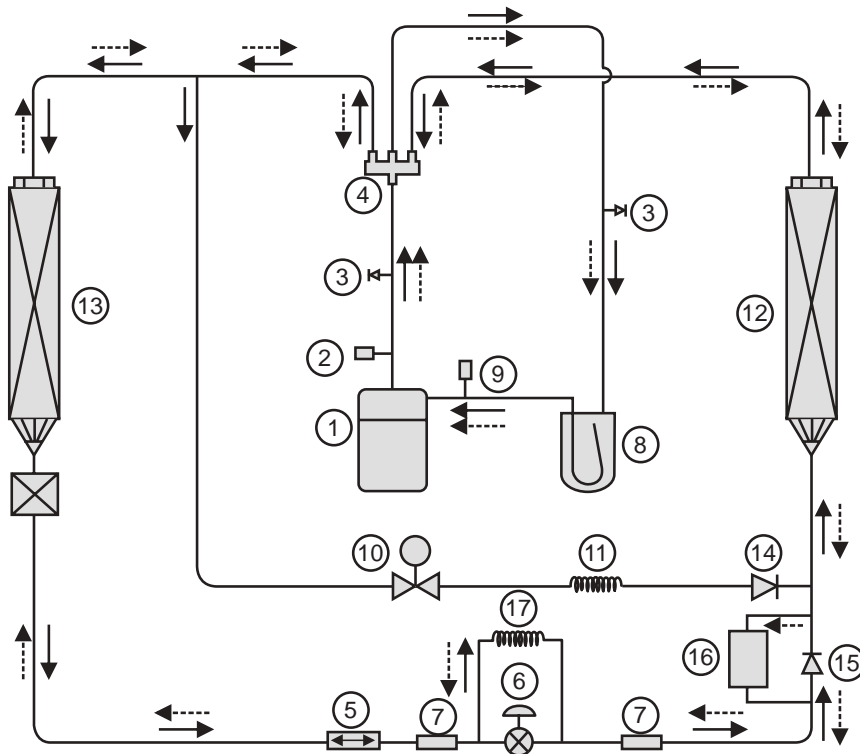
FÜR VERTIKALENTLADUNG

DIAGRAMM DES KÜHLKREISLAUFS

Modell: UATYQ 250, 350, 450, 550, 600, 700 & 900



Nr	Beschreibung der Bestandteile
①	Kompressor
②	Hochdruckschalter
③	Zugangsventil
④	Vierwegventil
⑤	Filtertrockner
⑥	Elektronisches Expansionsventil
⑦	Filter
⑧	Akkumulator
⑨	Niederdruckschalter
⑩	Magnetventil
⑪	Bypass Kapillarrohr
⑫	Innenraumwärmetauscher
⑬	Aussenraumwärmetauscher
⑭	Ventil 1 prüfen
⑮	Ventil 2 prüfen
⑯	Kompensator
⑰	Kapillarröhrchen



- Hinweis:** (a) UATYQ350, 450, 550, 600, 700 & 900 besteht aus 2 Kreisläufen.
 (b) Teile-Nr. 15 & 16 sind nur für UATYQ350 anwendbar.
 (c) Teile-Nr. 17 sind nur für UATYQ700 & UATYQ900 anwendbar.

MONTAGEANLEITUNG

Das vorliegende Handbuch enthält die Installationsanweisungen für einen sicheren und ordnungsgemäßen Betrieb dieser Anlage. Je nach den örtlichen Gegebenheiten können spezielle Anpassungen notwendig sein.

Vor der Inbetriebnahme des Klimagerätes dieses Handbuch bitte aufmerksam zur Kenntnis nehmen und für künftigen Bedarf aufbewahren.

Dieses Gerät für den Betrieb durch Fachleute oder geschulte Benutzer in Geschäften, der Leichtindustrie und in landwirtschaftlichen Betrieben sowie für gewerbliche Zwecke durch Laien ausgelegt.

Das Gerät ist nicht konzipiert, um von folgenden Personengruppen einschließlich Kindern benutzt zu werden: Personen mit eingeschränkten körperlichen, sensorischen oder geistigen Fähigkeiten oder Personen mit mangelhafter Erfahrung oder Wissen, es sei denn, sie sind von einer Person, die für ihre Sicherheit verantwortlich ist, darin unterwiesen worden, wie das Gerät ordnungsgemäß zu verwenden und zu bedienen ist. Kinder sollten beaufsichtigt werden, um sicher zu sein, dass sie nicht mit dem Gerät spielen.

DEUTSCH

VORSICHTMASSNAHMEN

WICHTIG

Wichtige Informationen hinsichtlich des verwendeten Kältemittels

Dieses Produkt enthält fluoridierte Treibhausgase. Lassen Sie Gase nicht in die Atmosphäre ab.

Kältemitteltyp:

R410A

GWP⁽¹⁾ Wert:

2087,5

⁽¹⁾ GWP =

Treibhauspotential Die Kältemittelmenge ist auf dem Namensschild des Geräts vermerkt. Überprüfungen in Bezug auf Kältemittellecks müssen in regelmäßigen Abständen gemäß den europäischen oder örtlichen Bestimmungen durchgeführt werden. Kontaktieren Sie bitte Ihren örtlichen Händler bezüglich weiterer Informationen.

HINWEIS

In Europa wird die **Treibhausgasemission** der Kältemittel-Gesamtfüllmenge im System (ausgedrückt als CO₂-Äquivalent in Tonnen) zur Festlegung der Wartungsintervalle verwendet. Befolgen Sie die geltende Gesetzgebung.

Formel zur Berechnung der Treibhausgasemission:

GWP-Wert des Kältemittels × Kältemittel-Gesamtfüllmenge [in kg] / 1000



ACHTUNG

- Die Installation und Wartung muß durch qualifiziertes Personal erfolgen, Welches mit den örtlichen Bestimmungen und diesem Ausrüstungstyp vertraut ist.
- Die gesamte E-Verkabelung hat in Übereinstimmung mit den landesspezifischen Anschlußvorschriften zu erfolgen.
- Vor dem Kabelanschluß gemäß Schaltbild ist sicherzustellen, daß die Betriebsspannung mit der auf dem Datenschild des Gerätes angegebenen Spannung übereinstimmt.
- Das Gerät ist zum Schutz gegen fehlerhafte Isolierungen und entsprechende Risiken zu ERDEN.
- Die Kabel dürfen weder mit der Kühlmittelleitung, noch mit den beweglichen Teilen der Gebläsemotoren in Berührung kommen.
- Vor der Installation oder Wartung der Anlage ist sicherzustellen, daß das Gerät ausgeschaltet ist (OFF).
- Ziehen Sie vor der Wartung der Klimaanlage den Stecker aus der Steckdose.
- NICHT das Stromkabel herausziehen, wenn das Gerät noch eingeschaltet ist. Ein elektrischer Schlag oder ein Wohnungsbrand kann die Folge sein.
- Halten Sie für die Klimageräte, Stromkabel und Transmissionskabel einen Abstand von 1m zu Fernsehgeräten und Radios ein, um verzerrte Bilder und elektrostatische Aufladung zu vermeiden. (Abhängig von Type und Quelle der elektrischen Wellen, können statische Entladungen auch noch hörbar sein bei Abständen von mehr als 1m).
- Das Gerät ist nicht zur Verwendung in einer potentiell explosiven Atmosphäre konzipiert.



VORSICHT

Vor der Installation sind folgende wichtige Punkte zu prüfen.

- **Gerät nicht installieren, falls ein Leck entzündbaren Gases festgestellt wird.**



Es besteht Feuergefahr, wenn Gas aus der Anlage entweicht und sich in der Umgebung ansammelt.

- **Die Kondensat-Abflußleitung muß sachgemäß angeschlossen sein.**



Ist die Abflußleitung nicht richtig angeschlossen, kann dies eine Wasserleckage verursachen.

- **Gerät nicht überlasten.**



Das Gerät ist werkseitig vorgefüllt.

Im Falle einer Überfüllung besteht die Gefahr einer Überbelastung oder sonstigen Beschädigung des Kompressors.

- **Nach Installation oder Wartung ist sicherzustellen, daß die Geräteabdeckung wieder montiert ist.**



Eine mangelhafte Befestigung der Abdeckung führt zu Geräusentwicklung während des Betriebs.

- **Scharfe Kanten und Wärmetauscherflächen stellen eine Gefahrenquelle dar. Jeglicher Kontakt mit diesen Stellen ist zu vermeiden.**

- **Vor Abschalten der Stromzufuhr muss der ON/OFF-Schalter der Fernbedienung auf „OFF“ gestellt werden, um eine versehentliche Fehleinstellung zu vermeiden.** Andernfalls schaltet sich bei Wiederherstellung der Stromzufuhr das Kühlgebläse automatisch wieder ein und kann somit für den Benutzer oder Wartungspersonal ein unerwartetes Risiko darstellen.

- **Keine Heizgeräte zu dicht bei der Klimaanlage einschalten.**

- **Verwenden Sie zur Stromversorgung keine zusammengefügt und geknickten Kabel.**

Vorschriften zur Entsorgung:

Die Demontage des Geräts, die Behandlung des Kühlmittels, des Öls und anderer Teile muss in Übereinstimmung mit relevanten Vorschriften durchgeführt werden.

INSTALLATION DES GERÄTES

A Aufstellort

- Das Gerät ist so zu installieren, dass die abgeführte Luft nicht wieder einströmen kann (im Fall von Kurzschluss bei Abluft). Auf ausreichenden Abstand für die Wartung rund um das Gerät achten.
- Bei Installation von zwei oder mehreren Geräten an einem Ort, sind diese so zu positionieren, daß die Abluft eines Gerätes nicht von dem anderen Gerät angesaugt wird.
- Gewährleisten, dass der Luftstrom zur und von der Einheit nicht behindert wird. Jegliches Hindernis auf der Luftansaugoder Abblasseite ist zu entfernen.
- Der Raum ist ausreichend zu belüften, damit die Anlage genügend Luft umwälzen kann.
- Es wird empfohlen, das Gerät an folgendem Ort aufzustellen:-
 - Wählen Sie einen Ort, der das Gewicht des Geräts tragen kann und gegen Lärmentwicklung und Vibrationen isoliert ist.
 - Ein Standort mit geeigneter Drainage.
 - Auszuwählen ist eine schneeverwehungsfreie Stelle.
 - Der Lufteinlass und auslass darf nicht starken Winden ausgesetzt sein.
 - Der am Montageort entstehende Abblas- und Betriebslärmpegel darf nicht auf die Nachbarschaft störend wirken.
 - Ein Standort, der nicht der Allgemeinheit zur Verfügung steht.

Hinweis

- Das Economiser-Set gemäß den Empfehlungen in Teil (B) (iii) unter Kapitel „SONDERZUBEHÖR“ dieses Handbuchs, installieren.



VORSICHT

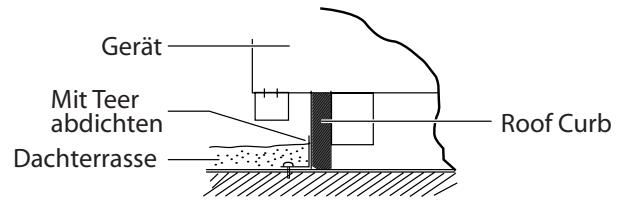
Das Gerät nicht in Höhenlagen über 2000 m installieren.

B Leitungsverlegung

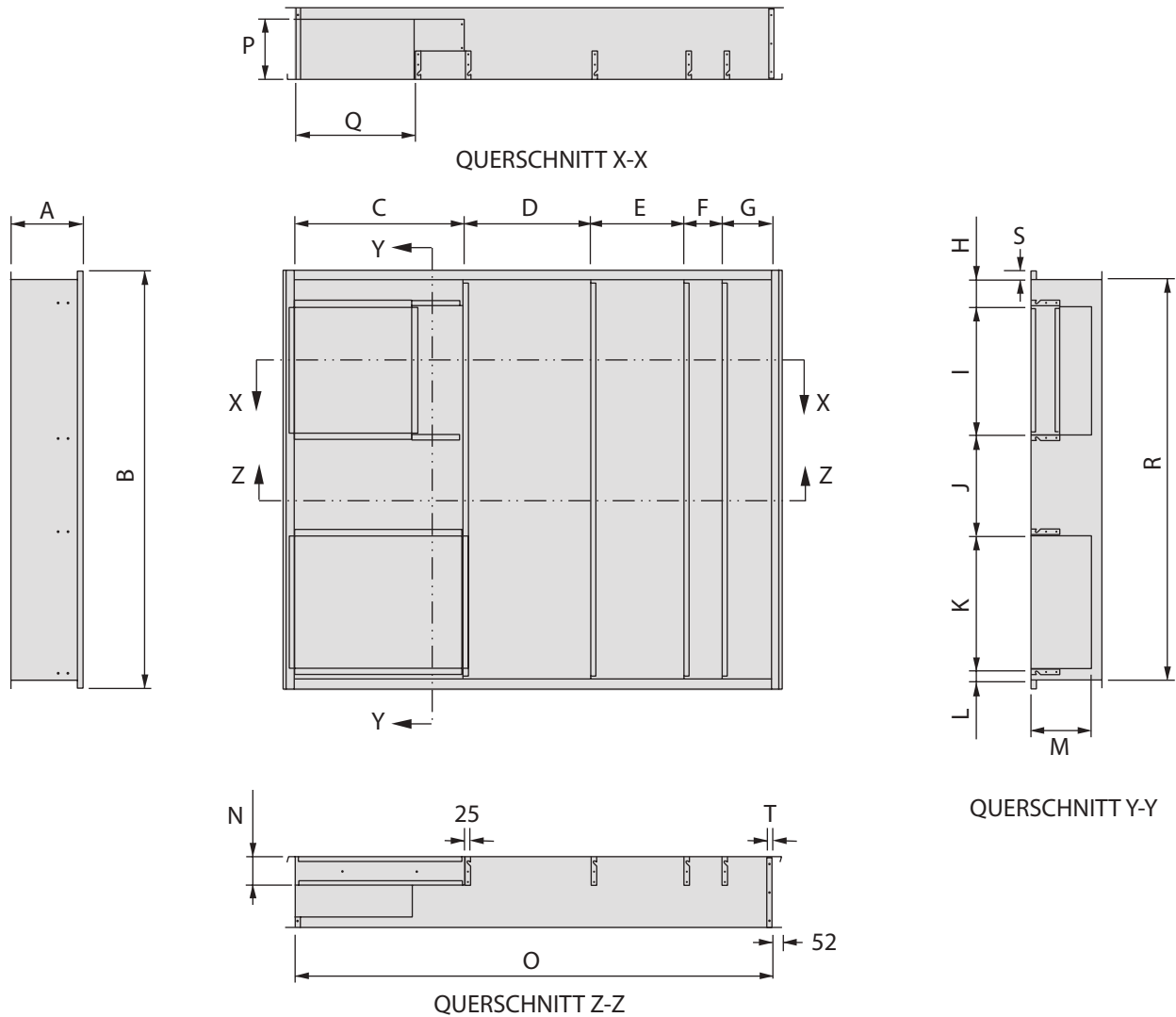
- Dieses Gerät ist mit Versorgungs- und Rückluftöffnungen ausgestattet. Die Leitungsverbindung zum Gerät sollte mit Leitungsflansch durchgeführt werden und direkt an die Luftöffnungen mit flexiblen Leitungsverbindern befestigt werden, um Störgeräusche zu minimieren.
- Um das Entweichen von Luft zu verhindern, sollten alle Leitungsnahtstellen abgedichtet werden.
- Leitungen, die nicht klimatisiert sind, müssen isoliert werden.
- Leitungen die offen liegen, müssen wetterbeständig sein.
- Leitungen, die durch das Dach ins Gebäude geführt werden, sollten an der Eintrittsstelle mit Dichtungleisten abgedichtet werden, um zu verhindern, dass Regen, Sand, Staub, usw. in das Gebäude eindringen.
- Die korrekte Filtergröße muss in der Rückluftleitung eingebaut sein.

C Gerätunterstützung (nur für Unterstellgeräte)

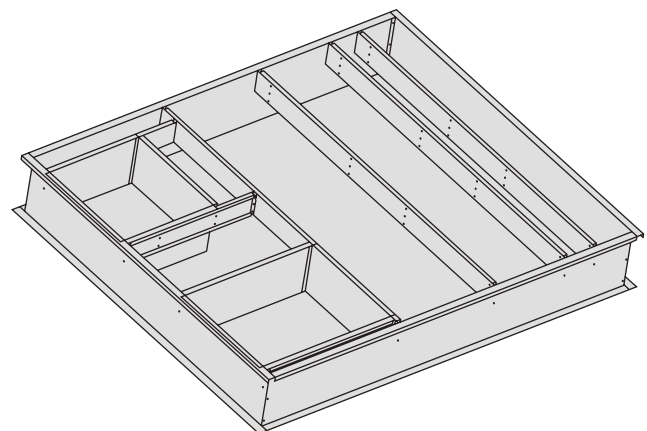
- Die Darstellung zeigt die Verwendung des Roof Curbs für die Befestigung dieser Geräte.
- Die Kante muss abgedichtet werden und mit dem Dach durch Dichtungsleisten fixiert werden. Ein Vorschlag zur Abdichtung des Geräts und des Roof Curbs sind rechts abgebildet.
- Die empfohlene Abmessung des Roof Curbs ist unten dargestellt.



DEUTSCH



Modell (UATYQ)	250	350/450	550/600/700/900
A	355	355	355
B	1506	2081	2081
C	840	700	840
D	315	410	625
E	315	410	462
F	0	0	190
G	314	287	248
H	0	131	131
I	607	600	646
J	322	544	495
K	540	682	676
L	0	42	51
M	300	300	300
N	141	141	141
O	1784	1807	2365
P	300	300	300
Q	481	477	590
R	1469	1998	1998
S	20	41,5	41,5
T	20	41,5	41,5



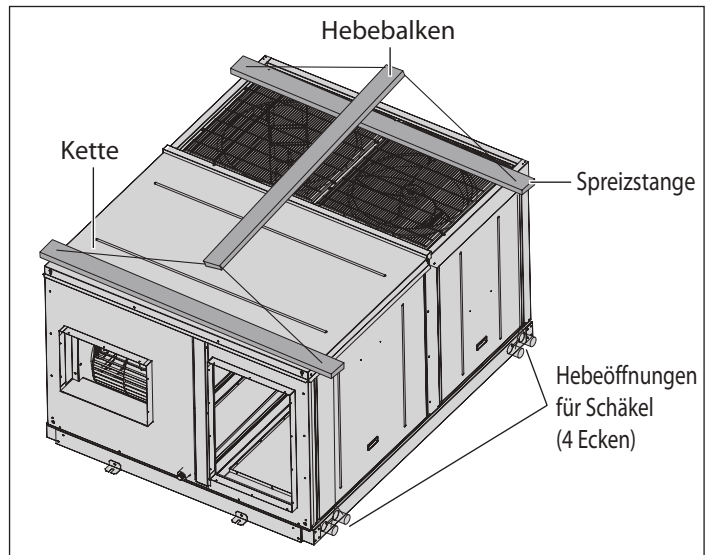
Hinweis: Alle Dimensionen sind in mm

D Heben des Geräts

- Die Öffnungen an den 4 Ecken der Geräteplatte dienen zum Anheben des Geräts.
- Die Spreizstange ist nur etwas breiter als die Gerätebreite.
- Eine Isolierung sollte an den 4 Ecken unter der Kette verwendet werden, um während des Anhebens Schäden am Paneel zu vermeiden.

Hinweis

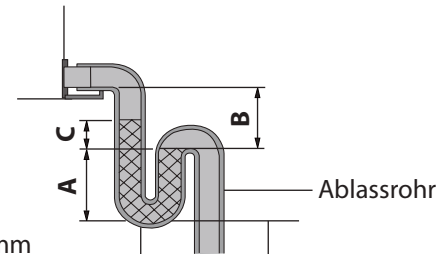
- In der Abbildung handelt es sich um das Gerät UATYQ250.
- Andere Modelle werden in gleicher Weise angehoben.



E Ablassrohr

- A 1" MPT Abflussarmatur für Kondensat wird mitgeliefert. Das Ablassrohr kann auf der Vorderseite herausgeführt werden.
- Das Ablaufrohr muss mit einem Verschluss außerhalb des Geräts ausgestattet sein und ebenfalls für korrekte Drainage an einem Gefälle installiert werden, wie in der rechten Abbildung dargestellt.
- Um Kondensat und Leckage zu vermeiden, sollte das Ablaufrohr isoliert sein, um kein Schwitzen zu gewährleisten.
- Ist die Abflussleitung nicht korrekt angeschlossen, besteht Gefahr, daß durch auslaufendes Wasser das Mobiliar feucht wird.

Das Ablassrohr sollte mit einem Wasserverschluss ausgestattet sein.



A \geq 70mm

B \geq 2C

C \geq 2 X ESP

Das Ablassrohr sollte länger als dieses Niveau sein.

Hinweis

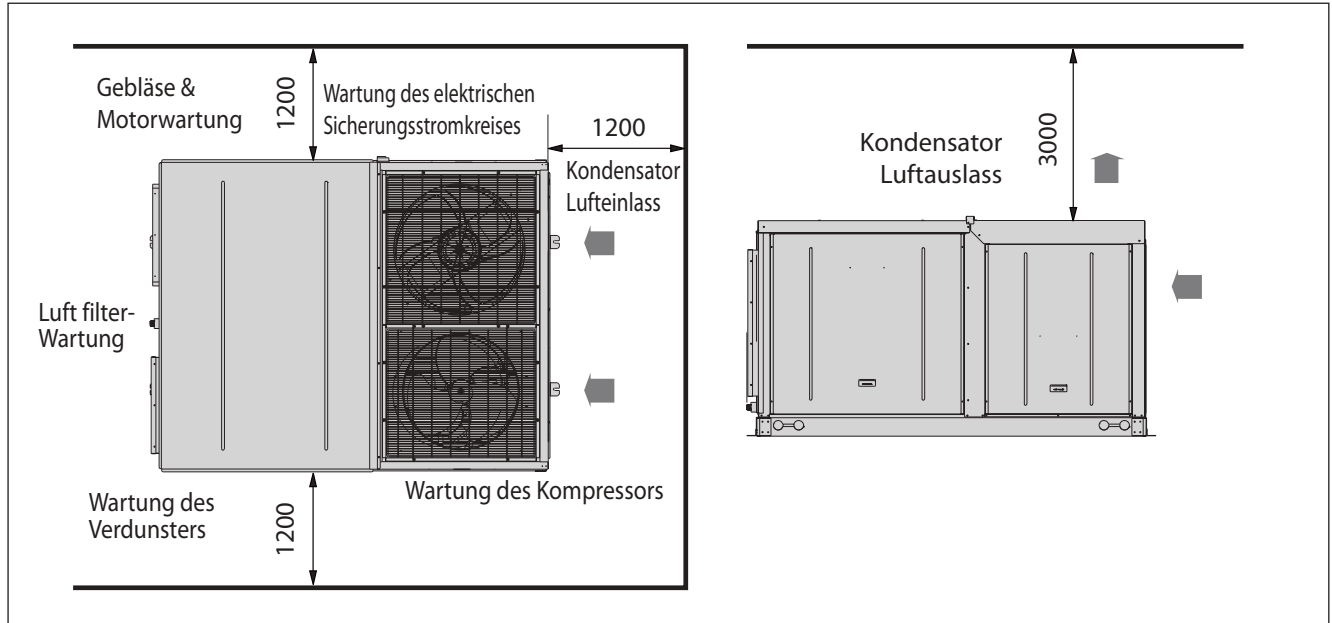
- ESP = External Static Pressure (Externer statischer Druck)

Wasserverschluss für Kondensat

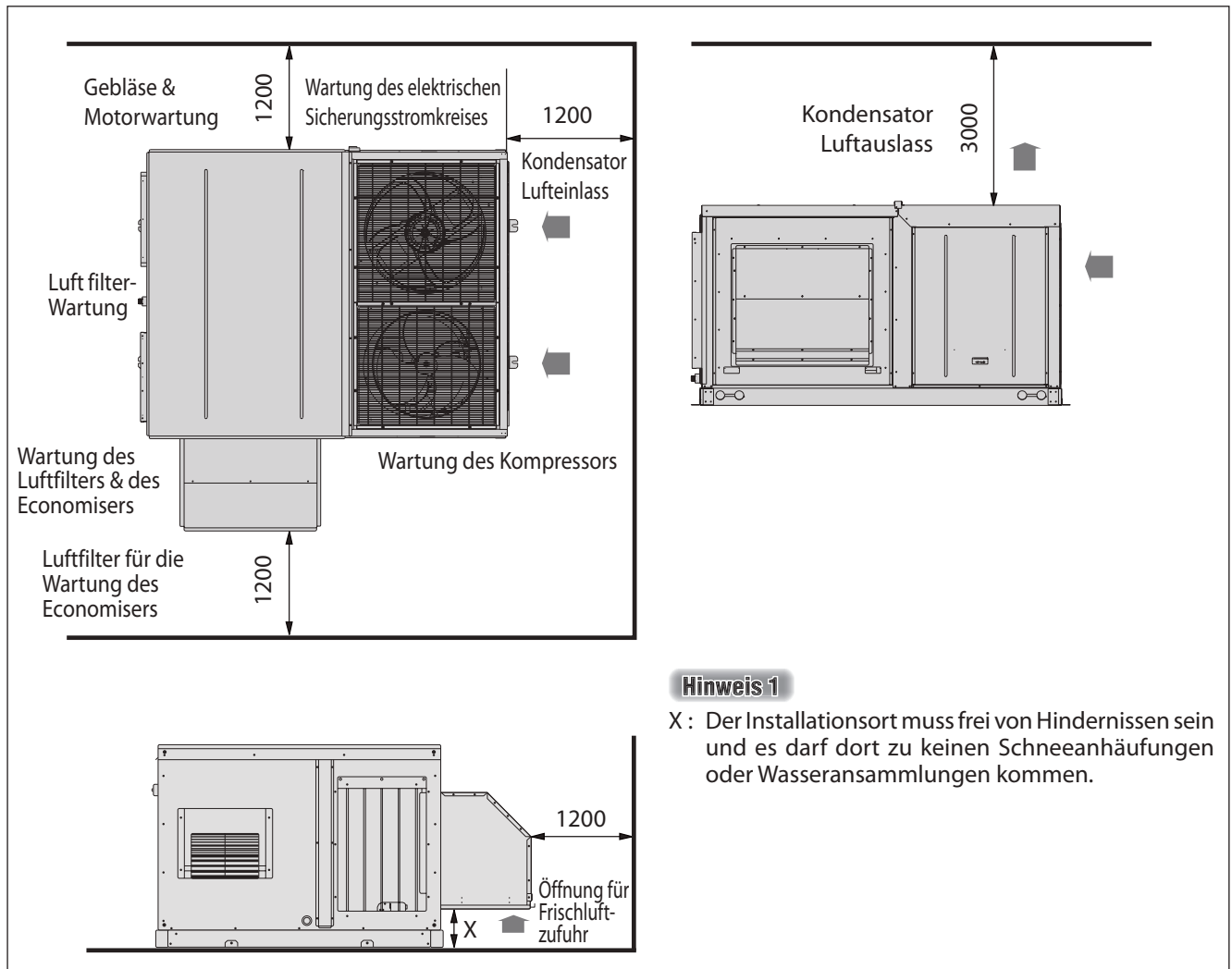
F Benötigter Raum um das Gerät

Siehe im Diagramm unten, den benötigten Raum für das Gerät. Hinweis:-

- Alle Dimensionen sind in mm.
- Alle angegebenen Werte für den Raum sind **Mindestwerte**, die für das Gerät benötigt werden.
- Das abgebildete Modell ist UATYQ250. Andere Modelle benötigen den gleichen Abstand.



Zusätzlicher Raum oder Freiraum wird zum Montieren der Wärmetauschanlage benötigt. Wann immer das Gerät mit einer Wärmetauschanlage versehen ist, wird auf dem unten stehenden Diagramm der Raumbedarf des Gerätes mit der Wärmetauschanlage angezeigt:-



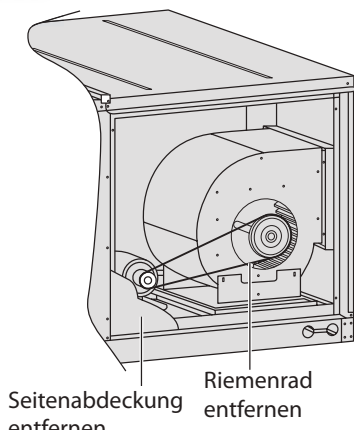
Hinweis 1

X : Der Installationsort muss frei von Hindernissen sein und es darf dort zu keinen Schneeanhäufungen oder Wasseransammlungen kommen.

G Umrechnung

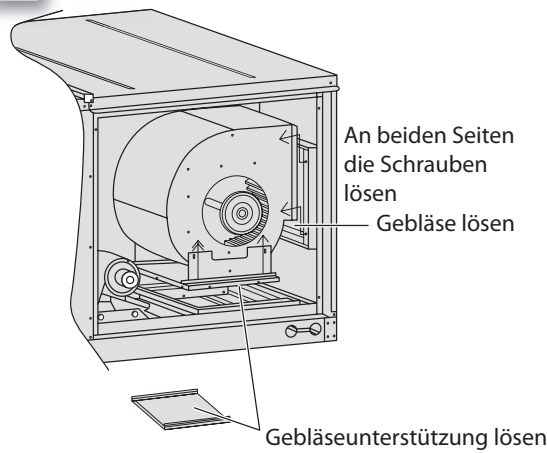
Für die Umwandlung vom Standardgerät in ein abwärtsgerichtetes Gerät, die unten beschriebenen Schritte befolgen:
UATYQ250, 350, 450, 550, 600, 700 & 900

1



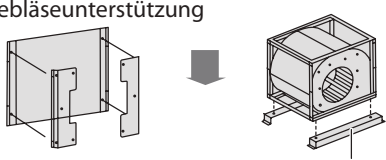
Seitenabdeckung entfernen
Riemenrad entfernen

2



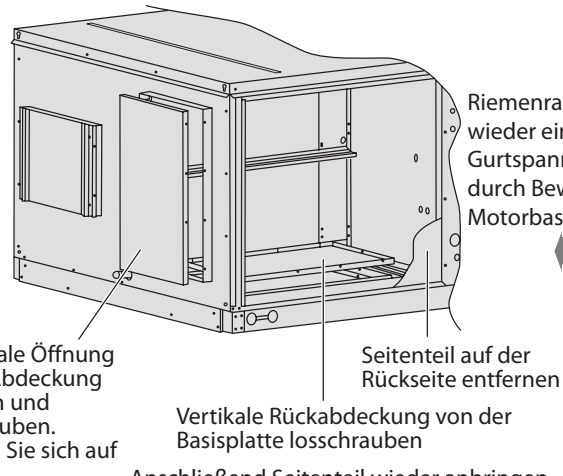
An beiden Seiten die Schrauben lösen
Gebläse lösen
Gebläseunterstützung lösen

Für UATYQ250: Die beiden Seitenplatten sind wie dargestellt, auf der Gebläseunterstützung festgeschraubt



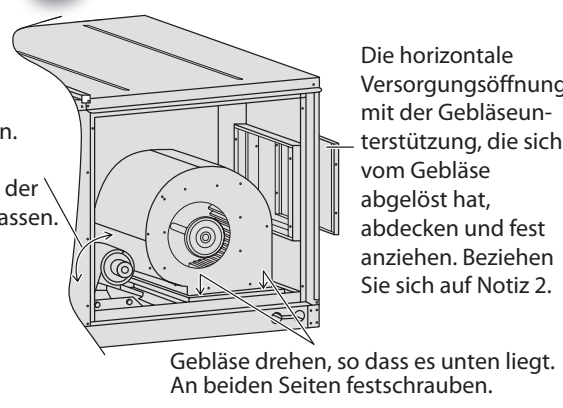
Für UATYQ250, 350, 450, 550, 600, 700 & 900 Die beiden Fallstromstrukturen sind mit dem Gebläse verschraubt

4



Horizontale Öffnung mit der Abdeckung schließen und festschrauben. Beziehen Sie sich auf Notiz 2.
Vertikale Rückabdeckung von der Basisplatte losschrauben
Anschließend Seitenteil wieder anbringen.

3



Riemenrad wieder einsetzen. Gurtspannung durch Bewegen der Motorbasis anpassen.
Die horizontale Versorgungsöffnung mit der Gebläseunterstützung, die sich vom Gebläse abgelöst hat, abdecken und fest anziehen. Beziehen Sie sich auf Notiz 2.
Gebläse drehen, so dass es unten liegt. An beiden Seiten festschrauben.

Riemenrad wieder einsetzen. Gurtspannung anpassen. Anschließend Seitenteil wieder anbringen. Beziehen Sie sich auf Notiz 1.

Hinweis 1

Für die Umwandlung in ein abwärtsgerichtetes Gerät muss die Länge des Keilriemens verändert werden.

Für Geräte mit einer Standardrolle ist die Gurtlänge = a mm
 Abstand von Schaft zu Schaft, C-C = b mm

	UATYQ250	UATYQ350	UATYQ450	UATYQ550	UATYQ600	UATYQ700	UATYQ900
a	1432	1457	1382	1500	1500	1500	1500
b	425	430	345	420	420	440	445

Hinweis 2

Dichtungsmaterial wie z.B. ein Dichtungsring (allgemein erhältlich) sollte zwischen dem Metalldeckel und dem Flansch angebracht werden. Auch sollte witterungsbeständiges Silikon auf allen Verbindungen, Schraubenlöchern und Ritzen angebracht werden, um wasserdichte Bedingungen zu schaffen.

Hinweis 3

Beziehen Sie sich auf das Engineering Data Book betreffend Gebläseeneigung und technischen Daten der regelbaren Keilriemenscheiben.

TECHNISCHE DATEN

Heizpumpe (R410A)

Modell		UATYQ250	UATYQ350	UATYQ450	UATYQ550	UATYQ600	UATYQ700	UATYQ900
Kühlmittel		R410A						
Kühlmittelbefüllung	kg	6,1	5,8/5,8	7,2/7,2	8,7/8,7	10,4/10,4	11,6/11,6	11,6/11,6
Verdampfer Luftstrom	CFM	3300	4300	5650	6700	7300	8300	9600
	L/S	1557	2029	2667	3162	3445	3917	4531
Externer statischer Druck	mmAq	15			21			
	Pa	147			206			
Kondensator Luftstrom	CFM	8230	6000/6000	6050/6050	6450/6450	10100/10100	10600/10600	10600/10600
	L/S	3884	2831/2831	2855/2855	3044/3044	4767/4767	5003/5003	5003/5003
Steuerung		Verkabelter Dach-Controller						
Länge der Steuerleitung (Standard/Max) : Größe	m : mm ²	15 / 100 : 3						
Kompressor (Typ/Menge)		Spirale/1	Spirale/2	Spirale/2	Spirale/2	Spirale/2	Spirale/2	Spirale/2
Luftfilter (Typ/Menge)		Saranet (waschbar)/2						
Luftfilterabmessung (Länge x Breite x Dicke)	mm	880 x 467 x 4	1126 x 385 x 4	1126 x 435 x 4	1497 x 392 x 4	1497 x 495 x 4	1497 x 595 x 4	1497 x 595 x 4

ELEKTRISCHE DATEN

Heizpumpe (R410A)

Modell		UATYQ250	UATYQ350	UATYQ450	UATYQ550	UATYQ600	UATYQ700	UATYQ900
Stromversorgung	V/Ph/Hz	380-415/3N~/50						
Max, Dauerstrom (Comp)	A	26	17/17	19/19	26/26	28/28	29/29	40,0/40,0
Volllaststrom (FLA, Comp)	A	21	12/12	15/15	21/21	22/22	25/25	34,0/34,0
Strom bei festgebremstem Läufer (LRA, Comp)	A	111	74/74	101/101	111/111	118/118	118/118	174,0/174,0

Das Gerät erfüllt die Anforderungen von EN 61000-3-11 und unterliegt den Auflagen an das Stromnetz. Es kann in Absprache mit der Versorgungsbehörde angeschlossen werden. Das Gerät kann nur mit einem Impedanzwert an das Stromnetz angeschlossen werden, der kleiner ist als der in der unteren Tabelle angegebene Wert. Den Impedanzwert im Interface-Punkt erhält man über die Versorgungsbehörde.

Modell	Maximale Impedanz (Z_{max}), ohm
UATYQ250	0,22
UATYQ350	0,23
UATYQ450	0,21
UATYQ550	0,21
UATYQ600	0,21
UATYQ700	0,21
UATYQ900	0,20

Falls die Stromversorgung einen höheren Impedanzwert aufweist, können kurze Spannungseinbrüche auftreten, sobald das Gerät eingeschaltet wird oder während des Betriebs. Dies kann den Betrieb anderer Geräte stören, z.B. flackernde Lampen, besonders jene, die an das gleiche Stromnetz angeschlossen sind.

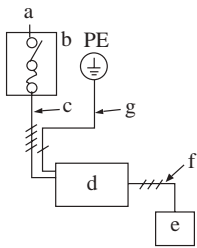
VERKABELUNG

- Alle elektrischen Arbeiten sind von qualifiziertem Personal und in Übereinstimmung mit den örtlichen Bestimmungen und Gesetzen durchzuführen.

Methoden für den Anschluss elektrischer Kabel

Vor dem Anschließen der Kabel finden Sie in der Electric Power Company Gerichtsstand.

1. Der gesamte Schaltplan des Gerätes



a	Stromversorgung
b	Hauptschalter/ Sicherung (allgemein erhältlich)
c	Stromversorgung für das Gerät
d	Gerät
e	Fernbedienung
f	Kabelverbindung für Gerät & Fernbedienung
g	Erde

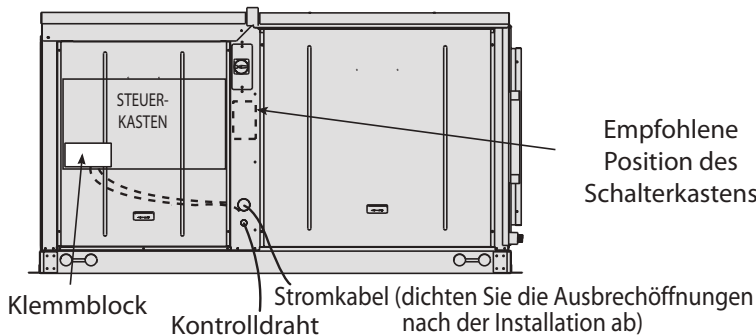
2. Verkabelung an Gerät

Legen Sie die Stromkabel und Steuerleitungen durch die Drucköffnungen oder Kabelöffnungen im Gerät. Entfernen Sie die Wartungspaneele und schließen Sie das Stromkabel des Geräts, wie abgebildet an den Anschlussblock an, der sich im Steuerkasten befindet. Verwenden Sie die lösbaren Kabelbinder, die sich unten am Schaltkasten befinden, um die Stromversorgungskabel korrekt zu befestigen.

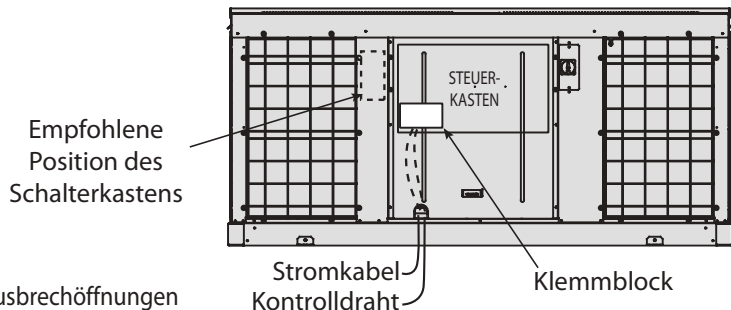
Hinweis

Während Sie den Schaltschutz auf das Gerät bauen, stellen Sie sicher, dass die Schrauben die Bauteile im Gerät nicht beschädigen (z.B. Spule). Der Schalterkasten kann auch separat aufgebaut werden. Die Drucköffnungen sind nur im Modell UATYQ250 vorhanden; UATYQ350, UATYQ450, UATYQ550, UATYQ600, UATYQ700 & UATYQ900 haben eine Öffnung für das Stromkabel.

UATYQ250



UATYQ350, 450, 550, 600, 700 & 900



Beispiel für eine Verkabelung und Auswahl von Schaltschutz

Modell	Stromkabel (mm ²)	Unterbrecherkapazität (A)	Überstromschutzschalter (A)	Erdungskabel (mm ²)
UATYQ250	4	32	32	4
UATYQ350	6	40	40	6
UATYQ450	10	40	40	10
UATYQ550	10	50	50	10
UATYQ600	16	63	63	16
UATYQ700	25	80	80	25
UATYQ900	35	100	100	35

Hinweis

- Ein Hauptschalter oder andere Mittel zur Unterbrechung, die an allen Polen einen Kontaktunterbrecher haben, müssen gemäß dem örtlichen und/oder innerstaatlichen Vorschriften und Bestimmungen eingetragen werden.
- Das Gerät muss direkt von einem elektrischen Verteiler, entweder durch einen Schaltschutz (bevorzugt) oder durch eine HRC Sicherung, verkabelt werden.
 - Befestigen Sie das Kabel der Stromversorgung an das Steuerungsmodul. Schließen Sie das Steuerungskabel durch die Öffnung des Steuerkastens an den Steuerungsklemmblock an.
 - Das Erdungskabel muss angeschlossen sein.
 - Das Stromkabel muss mit H07RN-F gleich sein; es ist eine Mindestanforderung und muss in einem Schutzrohr verwendet werden.
 - In dem Hauptversorgungsnetz muss eine Unterbrechung aller Pole vorhanden sein, mit einem Kontaktunterbrecher von mindestens 3 mm.



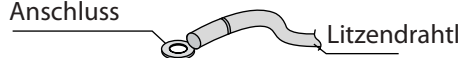
ACHTUNG

- Bevor Sie an dem Gerät arbeiten, trennen Sie es von der Stromzufuhr.
- Die elektrische Verkabelung und die Fernbedienung müssen in Übereinstimmung mit den entsprechenden Anforderungen des örtlichen Kabelcodes installiert werden.

Beachten Sie die unten aufgeführten Anmerkungen, wenn Sie den Klemmblock verkabeln. Die Vorsichtsmaßnahmen bei der Verkabelung der Stromzufuhr sind zu beachten.

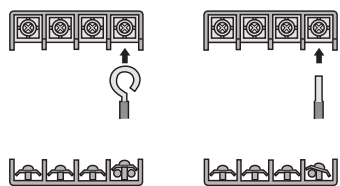
(Verwenden Sie runde Crimpanschlüsse, um Kabel an den Klemmblock anzuschließen. Falls aus unterschiedlichen Gründen, diese nicht verwendet werden können, beachten Sie die folgenden Anweisungen.)

Runder Crimp-Anschluss



VORSICHT

Beim Anschließen der Kabel an den Klemmblock und unter Verwendung einadriger Kabel, diese kräuseln. Probleme während der Arbeiten können zu Hitze und Feuer führen.



Abisolierung am Klemmblock



- Ziehen Sie am Kabel und stellen Sie sicher, dass es nicht abgeklemmt wird. Anschließend reparieren Sie das Kabel.

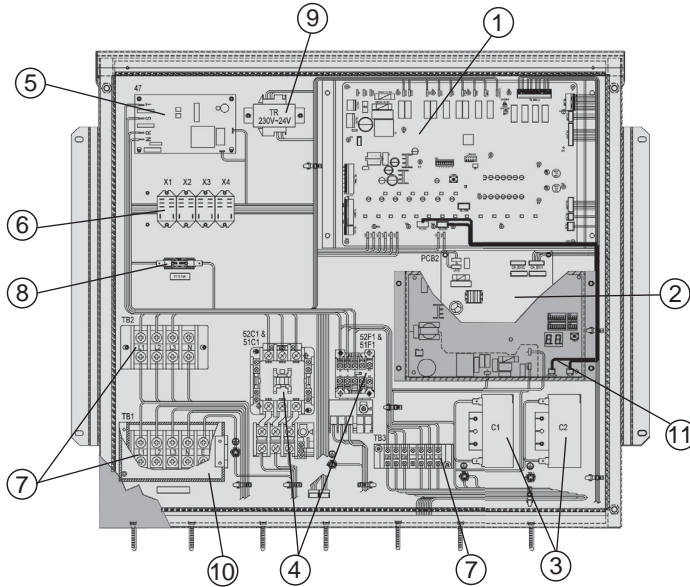


ACHTUNG

- Der Übertragungsdraht muss mindestens 50mm vom Stromkabel entfernt verlegt werden.
- Der Übertragungsdraht muss ein abgeschirmter Draht sein.

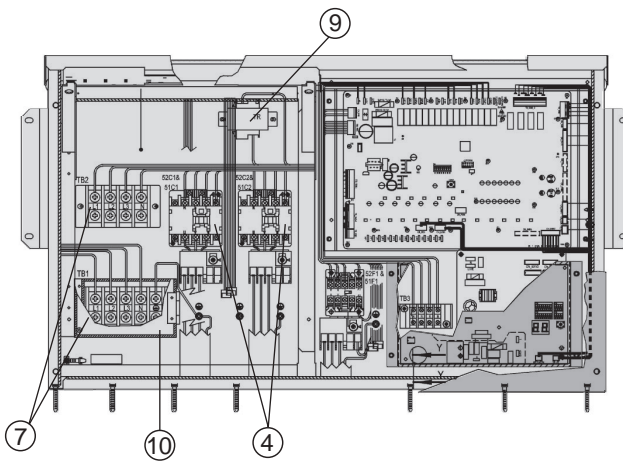
Die Anordnung der Klemmblöcke und Komponenten für den Controller sind unten aufgeführt:

A Steuermodul UATYQ250

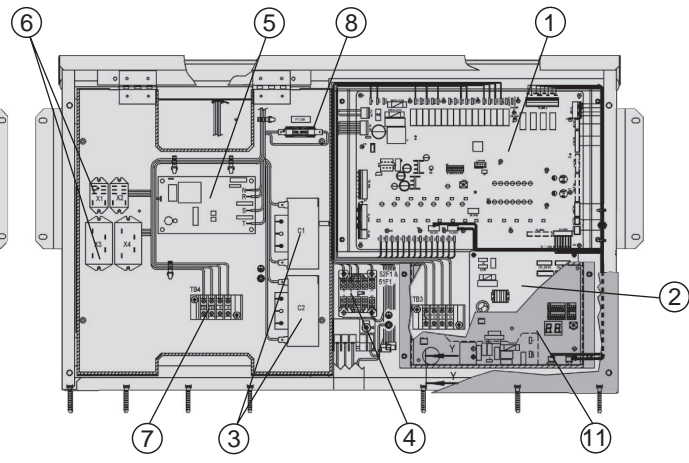


Nr	Beschreibung der Bestandteile
1	Controller Mainboard
2	EXV Controller Board
3	Kondensator
4	Schalterschütz
5	Phasenschutz
6	Relais
7	Klemmblock
8	Sicherung
9	Transformator
10	Abdeckung der Klemmenleiste
11	Steuerungseinheit des Economisers

B Steuermodul UATYQ350/450/550

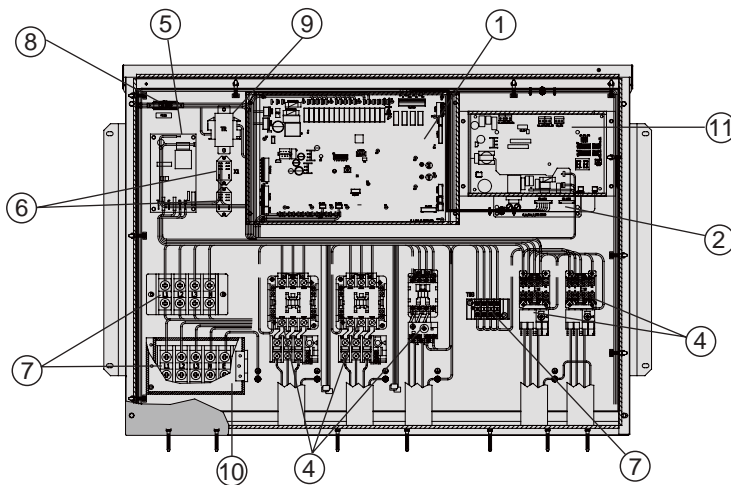


(Bodenschicht)



(Oberschicht)

C Steuermodul UATYQ600/700/900



ACHTUNG

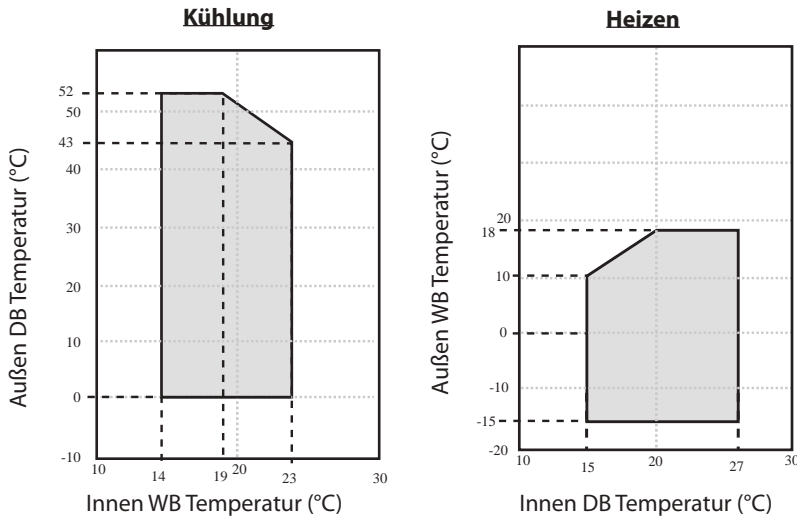
Sofern der Hauptversorgungsschalter ausgeschaltet wird, wird der Anschlußblock (TB1) Live bleiben, wenn der Isolator ist ausgeschaltet.

Hinweis

Teile-Nr. 11 (Schalttafel des Wärmetauschers) ist im Zusammenhang mit dem Economizer-Set zu verwenden, das separat als Zubehör angeboten wird.

BETRIEBSBEREICH

Stellen Sie sicher, dass die Betriebstemperatur sich im zulässigen Bereich befindet, wie im unteren Diagramm dargestellt:



VORSICHT

Der Gebrauch des Klimageräts bei höheren Arbeitstemperaturen und hoher Luftfeuchtigkeit kann zu schweren Fehlfunktionen führen.

Hinweis

Siehe Einsatzbereich für Geräte mit Economiseroption in Teil (E) (vi) im Kapitel „SONDERZUBEHÖR“.

DB = Trockenkugel
WB = Feuchtkugel

DEUTSCH

ANLEITUNG ZUM STEUERUNGSVORGANG

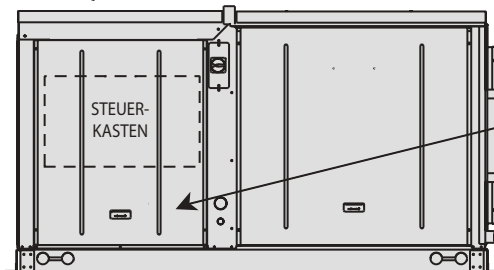
Dieses Gerät verfügt über ein Controller Main Board; eine Kabelfernbedienung ist mit dem Controller Main Board verbunden.

Alle Einstellungen im Gerät wurden vom Hersteller eingestellt. Es ist nicht empfehlenswert, die Einstellung zu ändern, außer wenn notwendig oder unten genannt.

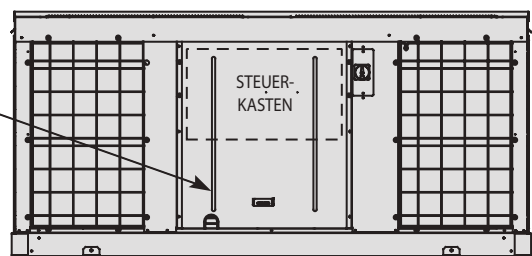
a) Ort der Fernbedienung

Die Fernbedienung befindet sich an einem Metallhalter hinter dem Wartungspaneel. Es ist zusammen mit dem Installationshandbuch verpackt.

UATYQ250



UATYQ350, 450, 550, 600, 700 & 900



Abdeckung entfernen

b) LED-Anzeige (Controller Main Board)

Die LED-Anzeige blinkt, wenn das Gerät eingeschaltet wird.

c) LCD-Display (Fernbedienung)

Während des Normalbetriebs, zeigt LCD den Kompressor an/aus-Status, Modus, Temperature einstellen usw. an. Siehe Betriebshandbuch für zusätzliche Informationen. Die LCD-Anzeige wird den Hauptbildschirm nach dem Anschalten anzeigen. Falls eine Fehlfunktion auftritt, erscheint eine Pop-Up Mitteilung auf dem LCD-Bildschirm, Hintergrundbeleuchtung blinkt und ein „beep“-Ton ertönt.

d) Optionale Konfigurationen

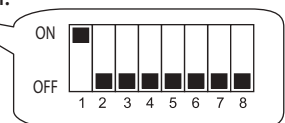
Das Controller Main Board kann als Schnittstelle zwischen der Thermostatsteuerung und dem BMS System verwendet werden.

(i) Thermostatsteuerung (TB_THM-I)

- Um diese Steuerung zu verwenden, Dip-Schaltereinstellung einstellen: SW1-ON (Standard ist OFF).
- Folgen Sie der unten aufgeführten Methode, für die Thermostatsteuerungseingaben:

G	Y1	Y2	W1	W2	Modus	Betrieb
0	0	0	0	0	-	Gerät aus
1	0	0	0	0	Ventilator	Innen-Ventilator an
X	1	0	X	X	Kühlen	1-stufiger Kompressor
X	1	1	X	X	Kühlen	2-stufiger Kompressor
X	0	X	1	0	Wärmepumpe/Heizer	1-stufiger Kompressor
X	0	X	1	1	Wärmepumpe/Heizer	2-stufiger Kompressor

Anmerkung: X = Nicht beachten.



- Für Empfehlungen zur Installation, siehe unten aufgeführte Tabelle:

Eingabe	Nennspannung	Nennstrom	Kabelgröße
G	24V AC	5mA	AWG18~22
Y1			
Y2			
W1			
W2			

Hinweis

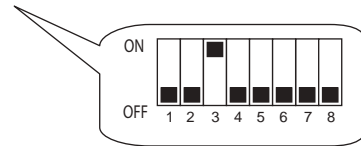
- Sobald das Controller Main Board als Thermostatsteuerung konfiguriert wurde, wird die Fernbedienung nur zu Überwachungszwecken verwendet.
- Das Gerät muss neu gestartet werden (Strom an-und ausschalten), wenn die Einstellung des Dip-Schalters geändert wird.

(ii) BMS Steuerung (TB_BMS-I)

- Um diese Steuerung zu verwenden, Dip-Schalter SW3 auf ON (Standard ist OFF) und den Parameter der Schalttafel G8 auf '1' (Standard ist '0') einstellen.

Hinweis

- G8 = Steuerungstyp
0 = Paneel
1 = BMS
2 = DEC
- Für TB_BMS-I, gibt es 3 Steuerungseingaben:
Gerät an/aus; Betriebsmodus (kühlen-0/heizen-1); und Sollwert (4~20mA).
- Für Empfehlungen zur Installation, siehe unten aufgeführte Tabelle:



Eingabe TB_BMS-I	Nennspannung	Nennstrom	Kabelgröße
An/Aus	24V AC	5mA	AWG18~22
Betriebsmodus	24V AC	5mA	
Kühlen/Heizen Sollwert	-	4~20mA	

Hinweis

- Sobald das Controller Main Board als BMS-Steuerung konfiguriert wird, wird die Fernbedienung nur zu Überwachungszwecken verwendet.
- Das Gerät muss neu gestartet werden (Strom an-und ausschalten), wenn die Einstellung des Dip-Schalters geändert wird.

(iii) Potenzialfreie Kontakt-Ausgabe (TB_BMS-O)

- Für TB_BMS-O, gibt es 4 Monitoring-Outputs (Überwachungs-Ausgaben): Fehleralarm; Ausgabe1; Ausgabe2; und Entfrostsingnal.
- Für Empfehlungen zur Installation, siehe unten aufgeführte Tabelle:

Eingabe TB_BMS-O	Nennspannung	Nennstrom (A)	Kabelgröße
Alarm-Ausgabe (AL)	230V AC/125V AC/30V DC	1/3/3	AWG18~22
Ausgabe1 (O1)	230V AC/125V AC/30V DC	2/3/3	
Ausgabe2 (O2)	230V AC/125V AC/30V DC	3/3/3	
Entfrostsingnal (DFRT)	230V AC/125V AC/30V DC	4/3/3	

- Die Ausgabesignale variieren, sie sind von der Konfiguration des Controller Main Boards abhängig, je nachdem, ob es Thermostatsteuerung oder BMS-Steuerung ist.

(1) Für Thermostatsteuerung, sind die Ausgaben, wie in der Tabelle unten aufgeführt, angezeigt.

Thermostat Eingabe (SW1-ON)					FEHLER	ENTFROSTEN	Alarm Ausgabe (AL)	Ausgabe1 (O1)	Ausgabe2 (O2)	Signal Entfrosten (DFRT)
G	Y1	Y2	W1	W2						
0	0	0	0	0	X	X	X	0	0	X
1	0	0	0	0	X	X	X	0	1	X
X	1	0	X	X	X	X	X	1	0	X
X	1	1	X	X	X	X	X	1	0	X
X	0	X	1	0	X	X	X	1	1	X
X	0	X	1	1	X	X	X	1	1	X
X	X	X	X	X	1	X	1	X	X	X
X	X	X	X	X	X	1	X	X	X	1

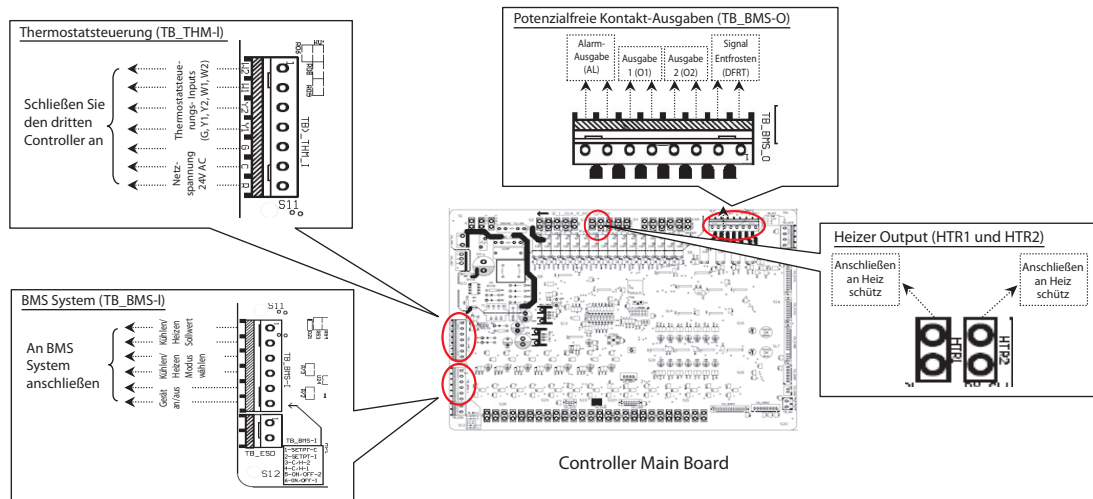
Anmerkung: X = Nicht beachten.

(2) Für BMS-Steuerung, werden die Outputs wie in der Tabelle unten aufgeführt, angezeigt.

BMS Eingabe (SW3-ON)			FEHLER	ENTFROSTEN	Alarm Ausgabe (AL)	Ausgabe1 (O1)	Ausgabe2 (O2)	Signal Entfrosten (DFRT)
AN/AUS	BETRIEBSMODUS	KÜHLEN/HEIZEN SOLLWERT						
0	0	X	X	X	X	0	0	X
0	1	X	X	X	X	0	1	X
1	0	X	X	X	X	1	0	X
1	1	X	X	X	X	1	1	X
X	X	X	1	X	1	X	X	X
X	X	X	X	1	X	X	X	1

Anmerkung: X = Nicht beachten.

Die untere Abbildung zeigt die Position des Klemmblocks auf dem Controller Main Board an, die für die Thermostatsteuerung und für das BMS System verwendet werden. Außerdem werden die Ausgabeanschlüsse für zusätzliche elektrische Heizer angezeigt.



(iv) Zusätzliche elektrische Heizer Ausgabe (HTR1 und HTR2)

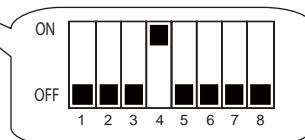
- Es gibt zwei Ausgabeanschlüsse (HTR1 und HTR2) im Controller Main Board, die den Heizschütz einschalten. Der Schaltschütz muss entsprechend ausgewählt werden, um Sicherheitsauflagen zu vermeiden.
- Der Heizer wird gemäß den örtlichen und/oder innerstaatlichen Vorschriften und Bestimmungen installiert. Es muss EN60335-2-40 befolgen.
- Thermosicherung(en) wird/werden im Heizer installiert, um Gefahr und Schäden am Heizer/Gerät zu verhindern. Dies ist besonders kritisch, wenn Störungen am Controller Main Board oder Gebläse auftreten.
- Der Heizer sollte an einem sicheren Ort aufgestellt werden, wo das Risiko für Schäden gering sind.
- Verwenden Sie für das Gerät, das mit dem Heizer installiert wird, nicht brennbare Rohre.
- Verwenden Sie unterschiedliche Stromkabel für den elektrischen Heizer und bauen Sie für jeden Heizer einen Schaltschütz ein.
- Die Maximaltemperatur des Geräts darf nicht über 60°C steigen. Während der Installation und Inbetriebnahme wird die Temperatur gemessen, um sicher zu stellen, dass die Temperatur diesen Wert nicht übersteigt.
- Wählen Sie die geeignete Sicherheitsvorrichtung oder den Thermoschutz aus.
- Der Heizer darf nicht im Gerät eingebaut werden. Es empfiehlt sich, den Heizer im Versorgungskanal zu installieren, wonach der Abstand des Heizers ausreicht, um sicher zu stellen, dass die Temperatur im Gerät 60°C nicht übersteigt.

(v) Wärmetauschregler

- Stellen Sie sicher, dass die Wärmetauscheinrichtung in der Dachklimaanlage enthalten ist, bevor Sie die Wärmetauschfunktion an der Hauptschalttafel aktivieren. Andernfalls wird ein Fehler auftreten.
- Um diese Wärmetauschsteuerung zu verwenden, Dip-Schaltereinstellung einstellen:- SW4 - ON (Standard ist OFF) in der Hauptschalttafel und der Schalttafelparameter G6 auf ,1' (Standard ist ,0').

Hinweis

G6 = Wärmetauschregler
 0 = Ausschalten
 1 = Einschalten.



- Auf der Wärmetauschschalttafel befinden sich 4 Dip-Schalter und 3 Überbrückungsschalter die eine flexible Auswahl gemäß der verschiedenen Anforderungen zur Verfügung stellen.
 - Dip-Schalter 1: Minimale Einstellung für die Frischluftöffnung im Heizmodus, mit verschiedenen Pins kann man verschiedene Einstellungen eingeben. SW1: 5%, SW2: 10%, SW3: 15%, SW4: 20%, SW5: 25%, SW6/7/8: keine Funktion, Standard: 0% (keine Auswahl alle OFF).
 - Dip-Schalter 2: Minimale Einstellung der Frischluftöffnung im Kühlmodus, mit verschiedenen Pins kann man verschiedene Einstellungen eingeben. SW1: 0%, SW2: 5%, SW3: 15%, SW4: 20%, SW5: 25%, SW6/7/8: keine Funktion, Standard: 10% (keine Auswahl alle OFF).
 - Dip-Schalter 3: CO₂ PPM Schwellwertauswahl, mit verschiedenen Pins kann man verschiedene Ausgangswerte eingeben. SW1: 25%, SW2: 50%, SW3: 75%, SW4: 100%, Standard: 0% (keine Auswahl alle OFF).
 - Dip-Schalter 4: Betriebsart, inklusive der folgenden Auswahl:-
 SW1: OFF = Temperaturdifferenzbetrieb (Standard), ON = im Moment keine Funktion.
 SW2: OFF = Wärmetauschmodus (Standard), ON = Frischluftmodus
 SW3: OFF = Unterkühlungs schutz ist aktiviert (Standard), ON = Unterkühlungs schutz ist nicht aktiviert.

Überbrückungsschalter 1, 2, 3: Minimale Einstellung der Frischluftöffnung im Ventilation-Modus, mit verschiedenen Pins kann man verschiedene Einstellungen eingeben. Nennen wir den Überbrückungsschalter 1 = JP1, Überbrückungsschalter 2 = JP2 und Überbrückungsschalter 3 = JP3; siehe unten stehende Tabelle für eine Auswahl von verschiedenen Einstellungen für Frischluftöffnungen.

Frischluftöffnung (%)	JP1	JP2	JP3
0 (Standard)	OFF	OFF	OFF
10	OFF	OFF	ON
20	OFF	ON	OFF
30	OFF	ON	ON
40	ON	OFF	OFF
50	ON	OFF	ON
70	ON	ON	OFF
85	ON	ON	ON

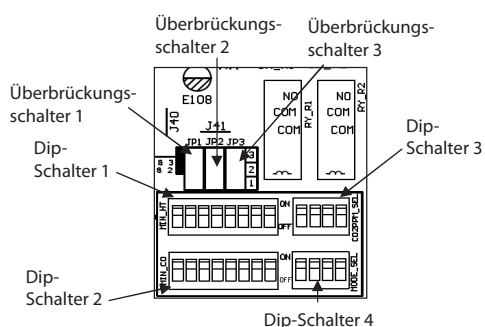
Legende: OFF = kurzer Pin 2 und Pin 3
ON = kurzer Pin 1 und Pin 2



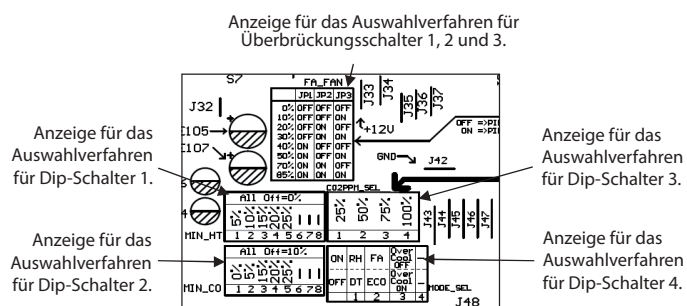
VORSICHT

Dip-Schalter 1, 2 und 3 ermöglichen nur 1 Pinauswahl. Werden mehrere Pins eingegeben, führt dies zu Fehlfunktion und der Betrieb geht auf die Standardeinstellungen zurück. Mit Dip-Schalter 4 können mehrere Pins eingegeben werden.

Die Dip-Schalter und Überbrückungsschalter sind auf der Schalttafel des Wärmetauschers zu finden.



Anzeige auf der Schalttafel des Wärmetauschers:

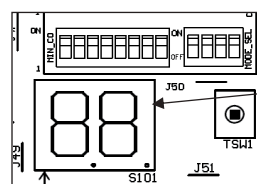


- Es gibt zwei LEDs auf der Schalttafel des Wärmetauschers, ein grüner LED und ein roter LED. Der grüne LED blinkt, wenn die Schalttafel des Wärmetauschers hochgefahren ist. Der rote LED blinkt, wenn Fehler auftreten. Beziehen Sie sich auf die unten stehende Tabelle für Fehlermeldungen und deren Bedeutung:-

Fehlermeldung	Störung
F0	Frischluftaktuator fehlerhaft / Fehlfunktion
F1	Rückluftaktuator fehlerhaft / Fehlfunktion
F2	Kommunikationsfehler
F3	CO ₂ kurzer Sensor
F4	CO ₂ kurzer Sensor geöffnet
F5	Frischluft RH Sensor kurz
F6	Frischluft RH Sensor geöffnet
F7	Rückluft RH Sensor kurz
F8	Rückluft RH Sensor geöffnet
F9	Aktivierung des Aktuatorschutzes
FA	Mehrfachauswahl der Pins mit Dip-Schalter 1, 2 oder 3

Hinweis

Die Fehlercode werden in der Anzeige der sieben Segmente auf der Schalttafel des Wärmetauschers angegeben.



Sieben-Segment-Anzeige

Hinweis

Wenn Fehler angezeigt werden und die Störung nicht behoben werden kann, sollte der örtliche Kundendienst bzw. der Installateur benachrichtigt werden. Trotzdem, alle Fehlermeldungen auf der Schalttafel des Wärmetauschers haben keinen Einfluss auf den Betrieb der Dachklimaanlage.

Hinweis gilt für die Türkei nur: Die Lebensdauer unserer Produkte von zehn (10) Jahren ist

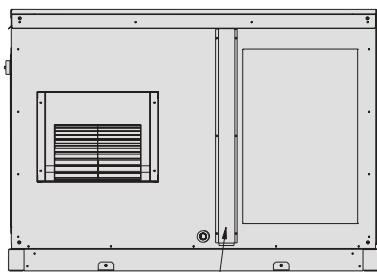
WARTUNG DES FILTERS

- Luftfilter mit Staubsauger absaugen oder in lauwarmem Wasser (unter 40°C) mit neutraler Seife auswaschen.
- Sorgfältig ausspülen und vor dem Wiedereinsetzen trocknen.
- Kein Benzin, Verdünner oder Chemikalien verwenden, um den Filter zu reinigen.
- Den Filter mindestens alle 2 Wochen reinigen. Ggf. häufiger.

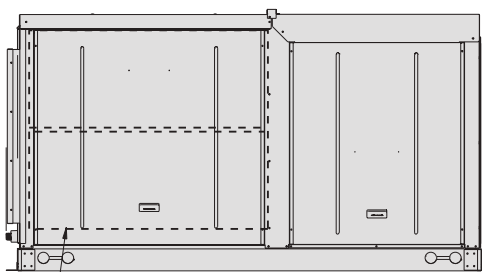
Filterposition

Der Filter befindet sich vor dem Innenraumwärmetauscher.

Das abgebildete Modell ist UATYQ250. Andere Modelle folgen der gleichen Methode.

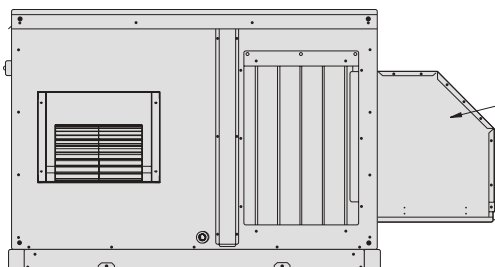


Für die Filterwartung die Filterabdeckung entfernen.



Oder die Seitenabdeckung für die Filterwartung entfernen.

Für Geräte, die zusammen mit dem Wärmetauscher installiert werden, gibt es einen zusätzlichen Filter, der auf der unteren Seite der Regenhaube montiert ist. Das im Diagramm abgebildete Gerät ist UATYQ250 + Wärmetauscher (werkseitig bereits installiert). Andere Modelle folgen der gleichen Methode.



Regenhaube (werkseitig bereits installiert)

Für die Filterwartung, die Filterabdeckung an der Regenhaube entfernen.



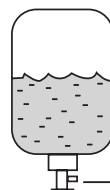
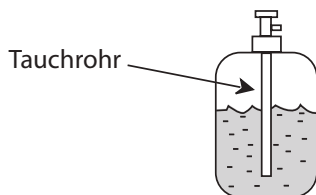
VORSICHT

Versichern Sie sich, dass nach der Wartung der Filter korrekt platziert und die Filterabdeckung mit Schrauben festgemacht ist, um Wasserlecks zu vermeiden. Wenn nötig, sollte wetterfestes Dichtungsmittel verwendet werden, um die Filterabdeckung und die Regenhaube wasserdicht zu machen.

VAKUUMHERSTELLUNG UND LADEN

Kompaktanlage für Dachmontage werden werkseitig mit ausreichend Kühlmittel vorgefüllt. Manchmal muss jedoch während der Wartungsarbeiten nachgefüllt werden. Deshalb müssen Vorsichtsmaßnahmen vorgenommen werden, um einen optimalen und fehlerfreien Betrieb zu gewährleisten:

- Das System sollte sorgfältig abgesaugt werden, um zu gewährleisten, dass nicht komprimierbares Gas und Feuchtigkeit in das System gelangen.
- Verwenden Sie eine Vakuumpumpe nur für R410A. Wird die gleiche Vakuumpumpe für unterschiedliche Kühlmittel verwendet, kann die Vakuumpumpe oder das Gerät beschädigt werden.
- Das Kühlmittel sollte nie direkt in die Umgebung abgegeben werden.
- Bei Befüllung von R410A stellen Sie sicher, dass nur Flüssigkeit aus dem Zylinder oder Dose abgezogen wird.



Zylinder ohne Tauchrohr umdrehen

Flüssigkeitsentzug

Normalerweise wird der R410A Zylinder oder die Dose mit einem Eintauchrohr für flüssige Zurücknahme ausgerüstet. Wenn es jedoch kein Eintauchrohr gibt, sollte der Zylinder oder die Dose umgekehrt werden, um Flüssigkeit vom unteren Ventil zurückzunehmen.



VORSICHT

- R410A muß als Flüssigkeit aufgeladen werden. Normalerweise wird der R410A Zylinder mit einem Eintauchrohr für flüssige Zurücknahme ausgerüstet. Wenn es kein Eintauchrohr gibt, sollte der Zylinder umgekehrt werden, um die Flüssigkeit R410A vom Ventil zurückzunehmen.
- Berühren Sie nicht den Verdichter oder das Kühlrohr, wenn das Kühlgerät in Betrieb ist. Staubsaugen Sie das Gerät sorgfältig und laden Sie es dann mit der entsprechenden Menge frischem R410A auf, die in die Spezifikation empfohlen wird.

STÖRUNGS-BEHEBUNG

Bei Fragen zu Ersatzteilen wenden Sie sich bitte an einen autorisierten Händler. Falls eine Fehlfunktion des Klimageräts bemerkt wird, überprüfen Sie die nachfolgenden Hinweise zur Behebung von einfachen Störungen.

Problem	Ursache	Maßnahme
Das Gerät funktioniert nicht.	<ul style="list-style-type: none"> ● Stromausfall. ● Sicherung herausgesprungen oder Schaltschütz abgeschaltet. ● Stromkabel, Phase nicht korrekt. 	<ul style="list-style-type: none"> ▶ ● Drücken Sie [ON/OFF], nachdem Strom vorhanden. ▶ ● Sicherung ersetzen oder Schaltschütz zurücksetzen. ▶ ● Phasen ändern.
Kompressor geht nach 3 Minuten, nachdem das Gerät eingeschaltet wurde, nicht in Betrieb.	<ul style="list-style-type: none"> ● Schutzeinrichtung gegen häufiges Anlassen. 	<ul style="list-style-type: none"> ▶ ● 3 Minuten warten, damit der Kompressor betrieben werden kann.
Luftstrom niedrig.	<ul style="list-style-type: none"> ● Filter ist voll mit Staub und Schmutz. ● An der Lufteintritts- bzw. Luftaustrittsöffnung des Geräts gibt es Verstopfungen. 	<ul style="list-style-type: none"> ▶ ● Filter reinigen. ▶ ● Verstopfung entfernen.
Kompressor arbeitet ständig.	<ul style="list-style-type: none"> ● Schmutziger Luftfilter. ● Temperatureinstellung ist zu niedrig (für kühlen). ● Temperatureinstellung ist zu hoch (für heizen). 	<ul style="list-style-type: none"> ▶ ● Luftfilter reinigen. ▶ ● Temperatur zurücksetzen.
Während des Kühlkreislaufs wird keine kühle Luft geliefert oder keine warme Luft während des Heizkreislaufs.	<ul style="list-style-type: none"> ● Temperatureinstellung ist zu hoch (für kühlen). ● Temperatureinstellung ist zu niedrig (für heizen). 	<ul style="list-style-type: none"> ▶ ● Temperatur niedriger einstellen. ▶ ● Temperatur höher einstellen.
Im Heizkreislauf wird keine Luft geliefert (UATYQ250). Oder die erzeugte Luft ist nicht warm genug (UATYQ350/450/550/600/700/900).	<ul style="list-style-type: none"> ● Das Gerät ist im Zyklus Entfrostern. 	<ul style="list-style-type: none"> ▶ ● Etwas warten. (Nach dem Entfrostern wird neu gestartet.)

Falls die Störung nicht behoben werden kann, sollte der örtliche Kundendienst bzw. der Installateur benachrichtigt werden.

ECONOMISER-SET

A Einleitung

Das Economiser-Set wird vom Werk geliefert, muss aber vor Ort installiert werden. Dieser Economiser ist kompatibel mit den R410A Dachgeräten. Falls Sie nicht sicher sind, ob dieses Zubehör mit Ihrem Gerät benutzt werden kann, dann bitte den betreffenden autorisierten Servicedienst kontaktieren. Der Economiser mischt die Außenluft mit der Rückluft, dadurch wird eine „freie“ Kühlung erzeugt, wenn die Außentemperatur sich dazu eignet. Die Kühlung mit dem Economiser kann alleine oder zusammen mit der mechanischen Kühlung angewendet werden. Außerdem kann das Economiser-Set auch zur Ventilation gebraucht werden, um die Luftqualität von Innenräumen zu verbessern. Es ist sehr wichtig, den korrekten Economiser auszuwählen. Die unten stehende Tabelle dient als Auswahlhilfe:

Nr	Dachklimaanlage	Der Economiser muss mit dem Dachklimagerät kompatibel sein
1	UATYQ250	ECONO250
2	UATYQ350	ECONO350
3	UATYQ450	ECONO450
4	UATYQ550	ECONO550
5	UATYQ600	ECONO600
6	UATYQ700	ECONO700
7	UATYQ900	ECONO900

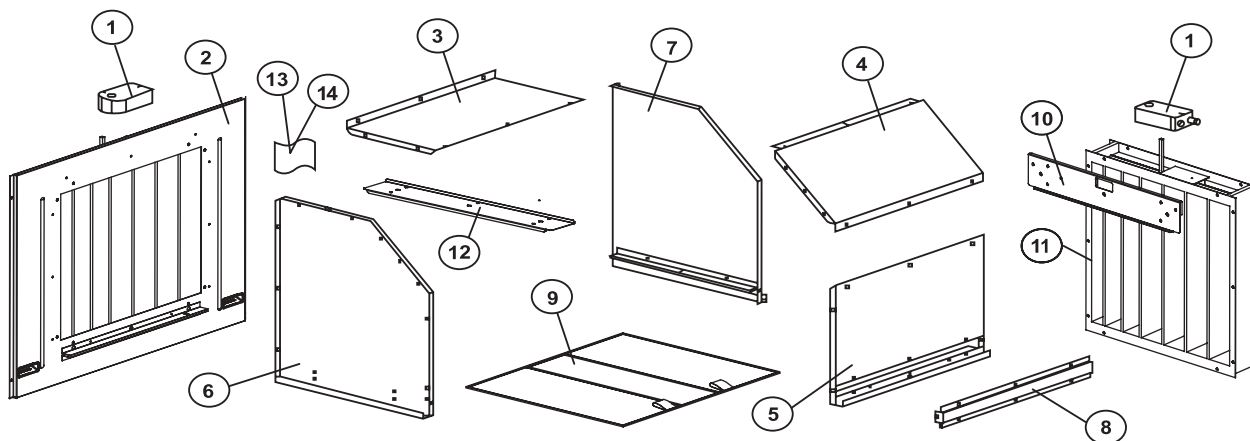
Hinweis

Die falsche Wahl kann dazu führen, dass der Economiser nicht mit dem Dachklimagerät zusammengefügt werden kann.

B Überprüfung vor der Installation

(i) Inhalt des Economizer-Sets

Wir empfehlen Ihnen, nach dem Entfernen der Verpackung, den Inhalt des Montagesatzes des Economisers zu überprüfen. Im Montagesatz sind die folgenden Bestandteile enthalten:

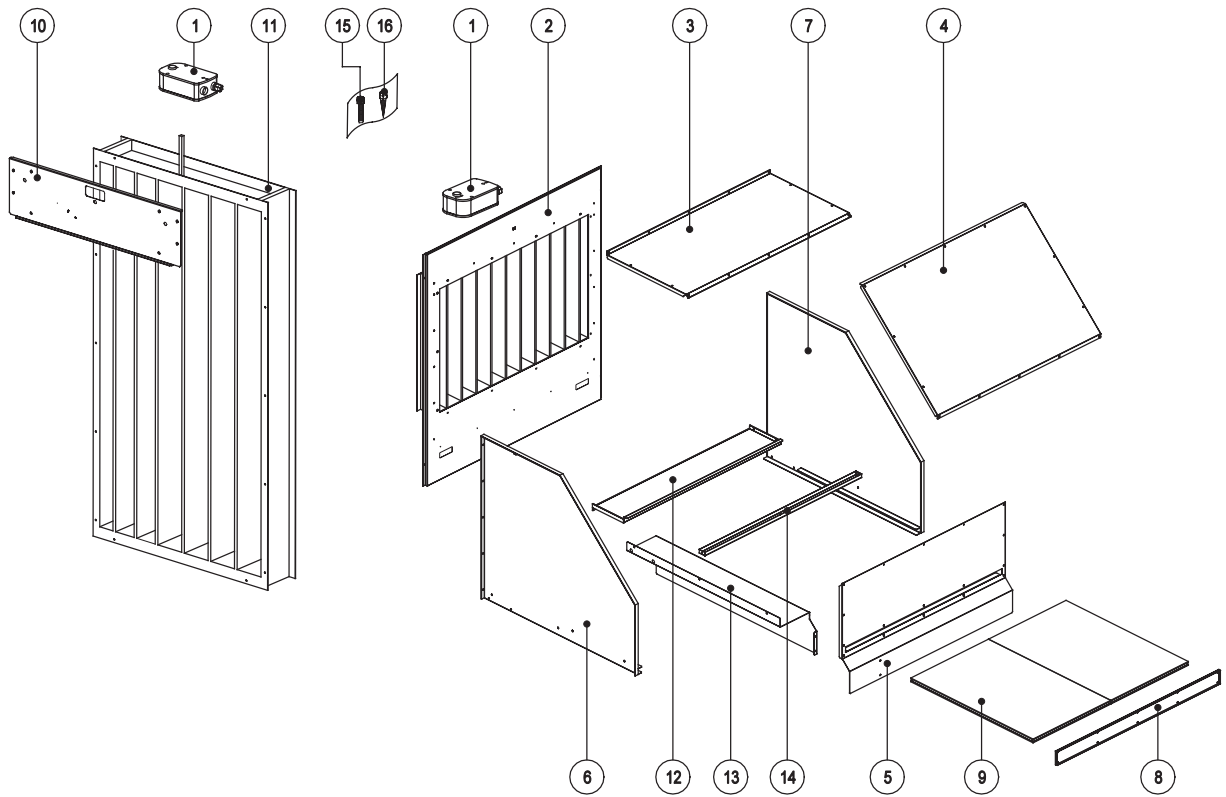


Nr	Beschreibung der Bestandteile	Anzahl (Satz)
1	Belimo Aktuator, LF24-SR	2
2	Seitenabdeckung mit Außenluftdämpfer	1
3	Haube, Obere Abdeckung	1
4	Haube, Zentrale Abdeckung	1
5	Haube, Untere Abdeckung	1
6	Haube, Seitenabdeckung links	1
7	Haube, Seitenabdeckung rechts	1

Nr	Beschreibung der Bestandteile	Anzahl (Satz)
8	Filterabdeckung	1
9	Filter	1
10	Auflagekonsole, Rückluftdämpfer	1
11	Rückluftdämpfer	1
12	Auflagekonsole, abwärtsgerichtet	1
13	Schraube, M5x16	55
14	Schraube, M4x12	4

* Die Auflagekonsole, abwärtsgerichtet (Teil 12), steht nicht in ECONO700 zur Verfügung.

(ii) Inhalt des Economizer-Sets UATY900



Nr	Beschreibung der Bestandteile	Anzahl (Satz)
1	Belimo Aktuator, LF24-SR	2
2	Seitenabdeckung mit Außenluftdämpfer	1
3	Haube, Obere Abdeckung	1
4	Haube, Zentrale Abdeckung	1
5	Haube, vordere Abdeckung	1
6	Haube, Seitenabdeckung rechts	1
7	Haube, Seitenabdeckung links	1
8	Filterabdeckung	1

Nr	Beschreibung der Bestandteile	Anzahl (Satz)
8	Filter	1
9	Auflagekonsole, Rückluftdämpfer	1
11	Rückluftdämpfer	1
12	Haube, Untere Abdeckung	1
13	Flansch, Lufthaube 1	1
14	Unterstützung Filter	1
15	Schraube, M5x16	97
16	Schraube, M4x12	4

Hinweis

Den autorisierten Servicedienst kontaktieren, sollte das Zubehör beschädigt oder unvollständig sein.

(iii) Freiraum des Geräts

Nachdem die Einheit an das Gerät montiert wurde, sollte genügend Freiraum für die Luftströmung, Wartung und Kabelinstallation vorhanden sein. Die Luftströmung sollte in diesem Bereich unbehindert fließen können. Siehe Teil (F) unter Kapitel „INSTALLATION DES GERÄTS“ in diesem Handbuch. Eine Unterlassung kann zu einer geringen Luftströmung führen oder eine Störung des Gerätes kann auftreten.

(iv) Montageort

Die Empfehlungen in Teil (A) unter Kapitel „INSTALLATION DES GERÄTS“ in diesem Handbuch befolgen. Zusätzlich müssen die Montagebedingungen rund um das Gerät befolgt werden:

- Der Freiraum zwischen dem Boden und der Regenhaube sollte keine Schnee- oder Wasserablagerungen haben.
- Die Öffnung für Frischluftzufuhr darf sich nicht auf der Seite der Hauptwindrichtung befinden.
- Die Außenluft sollte immer sauber und geruchsfrei sein und mit den örtlichen Bestimmungen betreffend Grenzwerte für Verschmutzung übereinstimmen und den TLV-Wert (Grenzwert) für Toxizität gemäß den örtlichen Normen nicht überschre.

(v) Luftdämpferfunktion

Bitte beide Luftdämpfer, Teil 2 und Teil 11, im Montagesatz des Economisers wie folgt überprüfen: Drehen Sie den Schaft des Luftdämpfers +90° und -90° (vollständig geöffnet bis vollständig geschlossen oder umgekehrt). Das Drehen des Luftdämpfers sollte leicht und einfach sein. Bei Schäden oder Abweichungen den autorisierten Servicedienst informieren.

C Benötigte Werkzeuge und Materialien für die Montage

- | | |
|--------------------------------------|-----------------------------------------------------------------|
| (i) Elektrisches Schraubendreher | (vii) Universalschraubenschlüssel (klein) |
| (ii) Elektrisches Bohrmaschinen | (viii) Brechstange und Hammer |
| (iii) Kleiner Schlitzschraubenzieher | (ix) Witterungsbeständiges Dichtungsmaterial (wie z.B. Silikon) |
| (iv) Schneider | (x) Dichtung |
| (v) Philips Schraubenzieher | (xi) Sicherheitssperren |
| (vi) Messband oder Maßstab | (xii) Kabelbinder |

D Installationsanleitung

(i) Seitenmontage Return (horizontal)

SCHRITT 1

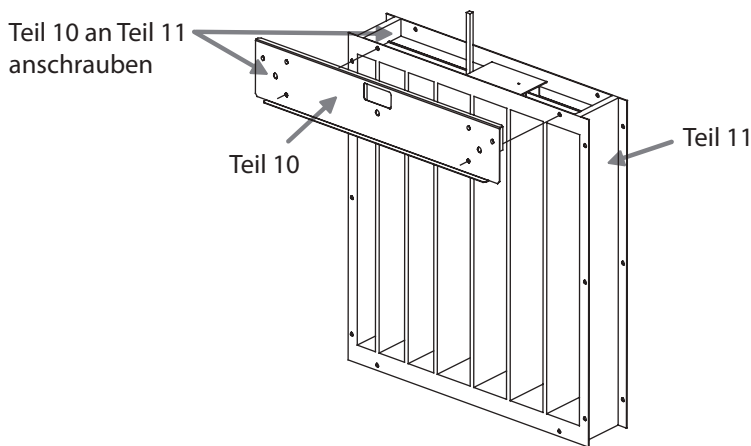
- Die Stromzuführung zum Gerät unterbrechen und eine Sicherheitssperzange vor der Montage, Inbetriebnahme oder Wartung des Economisers installieren. Alle erwähnten Werkzeugen, die benötigt werden, vorbereiten.

SCHRITT 2

- Die Holzkiste mit dem Montagesatz des Economisers unter Verwendung der Brechstange und des Hammers auspacken. Dann die Polybeutel, die lose Teile und Verschlüsse enthalten, mit dem Schneider öffnen. Vor der Installation eine Kontrolle, wie oben erwähnt,

SCHRITT 3

- Auflagekonsole Rückluftdämpfer (Teil 10) am Rückluftdämpfer (Teil 11) mit einer M5x16 Schraube (Teil 13), im Montagesatz mitgeliefert, anbringen.



SCHRITT 4

- Einen Belimo Aktuator, LF24-SR (Teil 1), mit „RA“ gekennzeichnet, an den Rückluftdämpfer (Teil 11) montieren. Das Loch des Aktuators ausrichten und in den Schaft des Luftdämpfers einführen.

⚠ VORSICHT 1

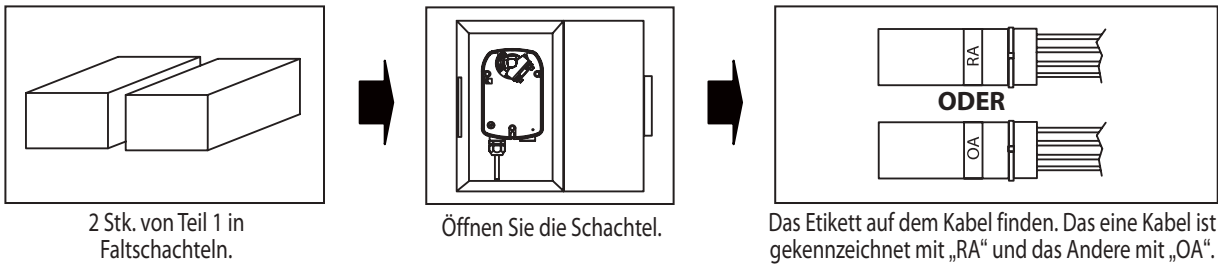
Die Standardeinstellung für den Luftdämpfer (Teil 11) sollte vollständig geöffnet sein. Vor dem Montieren an den Aktuator überprüfen, ob dieser Luftdämpfer in der „vollständig geöffneten“ Position ist. Eine Unterlassung kann zu einer Störung des Betriebs des Gerätes führen.

⚠ VORSICHT 2

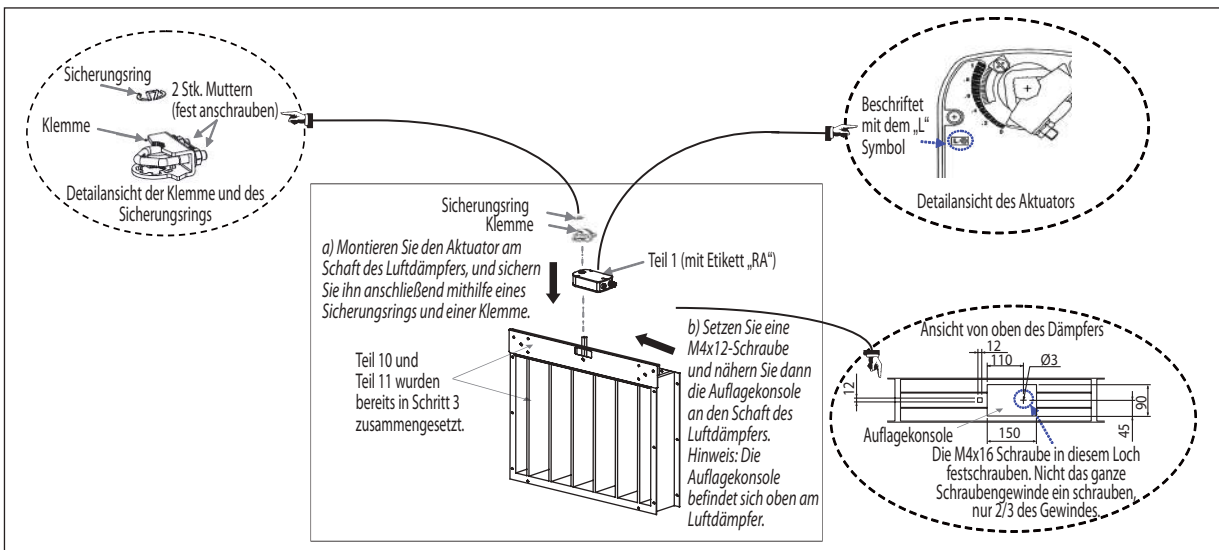
Die Oberfläche des Aktuators, welche nach oben/außen zeigt, sollte mit dem Buchstaben „L“ gekennzeichnet werden, um die Rotation der Aktuatomodulation im Uhrzeigersinn sicherzustellen. Eine Unterlassung kann zu einer Störung des Gerätes, das über einen Economiser verfügt, führen.

Hinweis

Es befinden sich 2 Stk. des Belimo Actuator, LF24-SR (Teil 1) im Economiser-Montagesatz, der in Faltschachteln geliefert wurde. Die Schachteln öffnen und das Etikett auf dem Kabel finden. Der Aktuator, der in Schritt 4 verwendet wird, ist derjenige mit dem Etikett „RA“.



- Dann eine Schraube M4x12 (Teil 14) an die Auflagekonsole des Luftdämpfers anbringen. Das Schraubengewinde darf nicht vollständig eingesetzt werden; nur 2/3 des Schraubengewindes sollten eingesetzt werden. Den Aktuator an die Auflagekonsole montieren, indem die Auflagekonsole näher zum Schaft des Luftdämpfers gebracht wird. Die Funktion der M4x12 Schraube ist es, ein Schleifen des Aktuators während der Modulation, zu verhindern.
- Dann die Klemme in den Schaft geben und den Aktuator mit einem Sicherungsring sichern. Dann die Klemmenmutter mit einem Universalschraubenschlüssel fest anziehen. Die Klemme und der Sicherungsring werden zusammen mit dem Aktuator als Standardteile mitgeliefert. Diese Teile befinden sich in der Kiste des Aktuators.



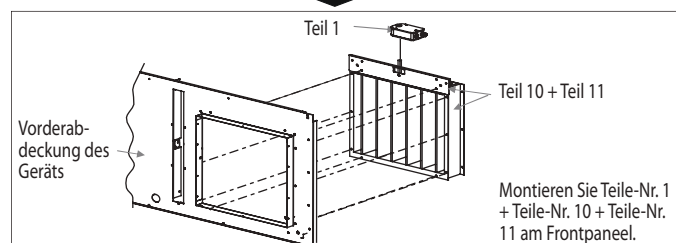
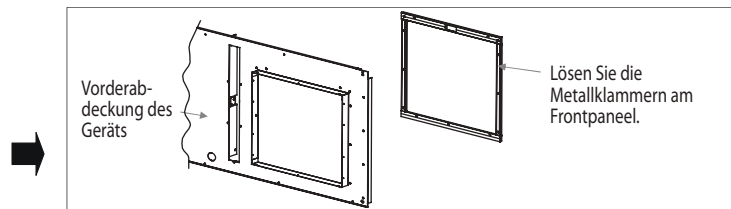
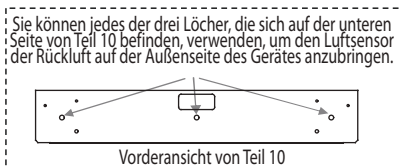
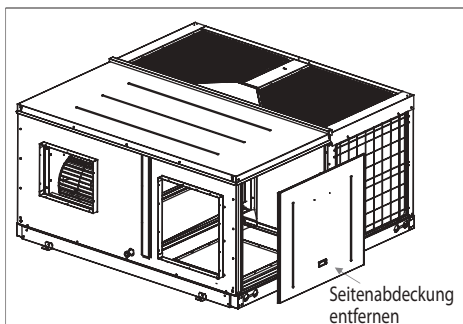
SCHRITT 5

- Seitenabdeckung entfernen. Danach die 4Stk Metallklammern an der Vorderabdeckung lösen. Die Luftdämpfer der Rückluft (Teil 11) + Auflagekonsole, Luftdämpfer der Rückluft (Teil 10) + Belimo Aktuator, LF24-SR (Teil 1) in die gleichen Schraubenlöcher an der Vorderabdeckung installieren. Diese wurden bereits in Schritt 3 und 4 zusammengesetzt. Schraube M5x16 (Teil 13) verwenden, um alles an zuschrauben.



VORSICHT

Den Rückluftsensor, welcher sich im Gerät (oberhalb der Rückluftöffnung) befindet, zum Außenbereich des Gerätes bringen. Der Sensor wird durch die kleinen Löcher an der Auflagekonsole des Luftdämpfers für Rückluft (Teil 10) gezogen. Der Sensor ist dann korrekt im Rückluftkanal angebracht, wenn Kabelklemmen (allgemein erhältlich) angewendet werden. Eine Unterlassung dieses Schritts kann die Geräteleistung beeinträchtigen und zu unbehaglichen Raumtemperaturen führen.



SCHRITT 6

- Einen Belimo Aktuator, LF24-SR (Teil 1), mit „OA“ gekennzeichnet, an die Seitenabdeckung des Außenabluftdämpfers (Teil 2) montieren. Das Loch des Aktuators ausrichten und in den Schaft des Luftdämpfers einführen.



VORSICHT 1

Die Standardeinstellung für den Außenabluftdämpfer (Teil 2) sollte vollständig geschlossen sein. Vor dem Montieren des Aktuators, den Luftdämpfer überprüfen. Dieser sollte in der „vollständig geschlossenen“ Position sein. Eine Unterlassung kann zu einer Störung des Gerätes im normalen Betrieb führen.

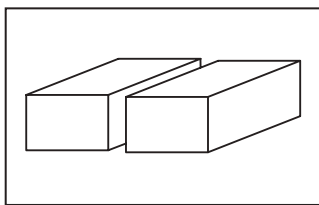


VORSICHT 2

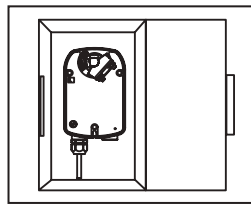
Die Oberfläche des Aktuators, welche nach oben/außen zeigt, sollte mit dem Buchstaben „R“ gekennzeichnet werden, um die Rotation der Aktuarmodulation gegen den Uhrzeigersinn sicherzustellen. Eine Unterlassung kann zu einer Störung des Gerätes, das über einen Economiser verfügt, führen.

Hinweis

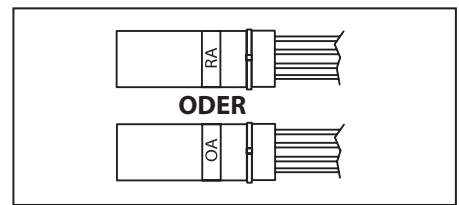
Es befinden sich 2 Stk. des Belimo Aktuators, LF24-SR (Teil 1) im Economiser-Montagesatz, der in Faltschachteln geliefert wurde. Die Schachteln öffnen und das Etikett auf dem Kabel finden. Der Aktuator, der in Schritt 6 verwendet wird, ist derjenige mit dem Etikett „OA“.



2 Stk. von Teil 1 in Faltschachteln.

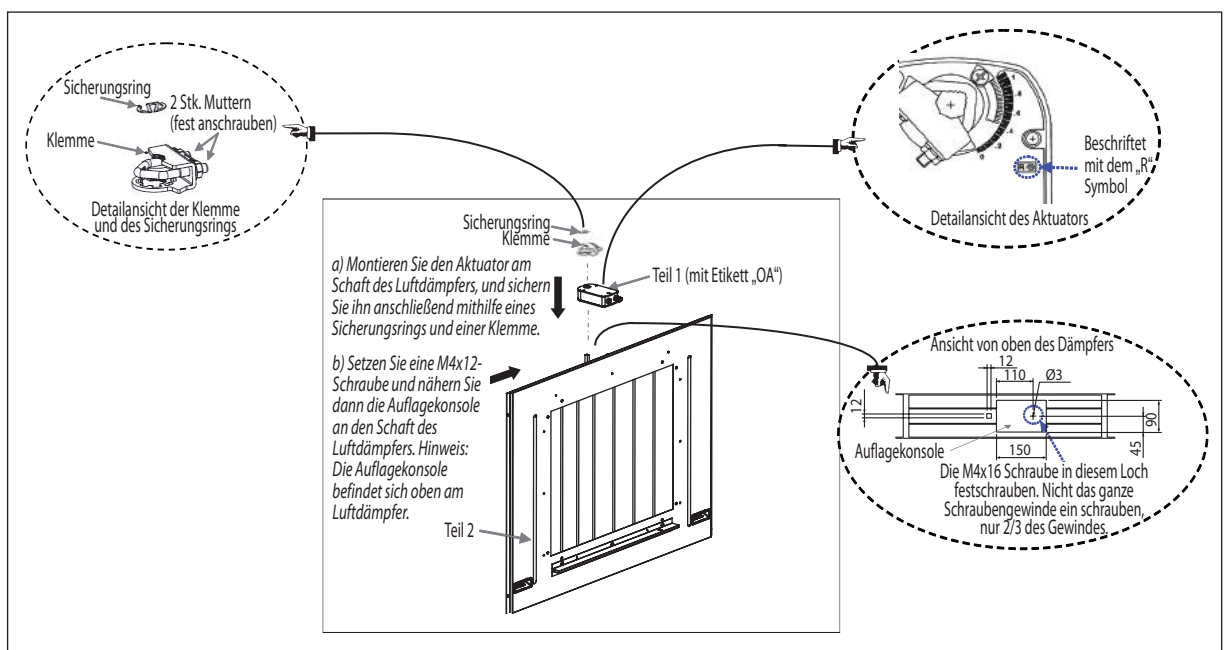


Öffnen Sie die Schachtel.



Das Etikett auf dem Kabel finden. Das eine Kabel ist gekennzeichnet mit „RA“ und das Andere mit „OA“.

- Dann eine Schraube M4x12 (Teil 14) an die Auflagekonsole des Luftdämpfers anbringen. Das Schraubengewinde darf nicht vollständig eingesetzt werden; nur 2/3 des Schraubengewindes sollten eingesetzt werden. Den Aktuator an die Auflagekonsole montieren, indem die Auflagekonsole näher zum Schaft des Luftdämpfers gebracht wird. Die Funktion der M4x12 Schraube ist es, ein Schleifen des Aktuators während der Modulation, zu verhindern.
- Dann die Klemme in den Schaft geben und den Aktuator mit einem Sicherungsring sichern. Dann die Klemmenmutter mit einem Universalschraubenschlüssel fest anziehen. Die Klemme und der Sicherungsring werden zusammen mit dem Aktuator als Standardteile mitgeliefert. Diese Teile befinden sich in der Kiste des Aktuators.

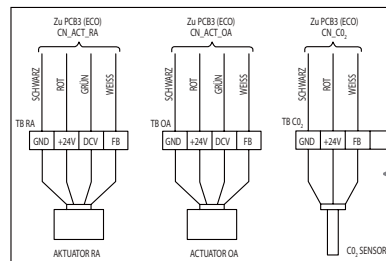


SCHRITT 7

- Den Belimo Aktuator, LF24-SR (Teil 1) mit dem Etikett „RA“, welcher sich jetzt in der Dämpferanordnung auf der Vorderabdeckung der Klemmenleiste, mit dem Etikett „RA“, befindet, an den Verteilerkasten anschließen.
- Es befinden sich vier Kabel in verschiedenen Farben (schwarz, rot, grün und weiß) auf dem Aktuator. Diese Kabel wie folgt verbinden:

- Schwarzes Kabel - Den ersten Pol mit dem Etikett „GND“ mit der Klemmenleiste verbinden.
- Rotes Kabel - Den zweiten Pol mit dem Etikett „+24V“ mit der Klemmenleiste verbinden.
- Grünes Kabel - Den dritten Pol mit dem Etikett „DCV“ mit der Klemmenleiste verbinden.
- Weißes Kabel - Den vierten Pol mit dem Etikett „FB“ mit der Klemmenleiste verbinden.

(Sie können sich auf das Etikett des Kabelinstallationsdiagramms beziehen, das sich auf der Vorderabdeckung des Verteilerkastens befindet.)



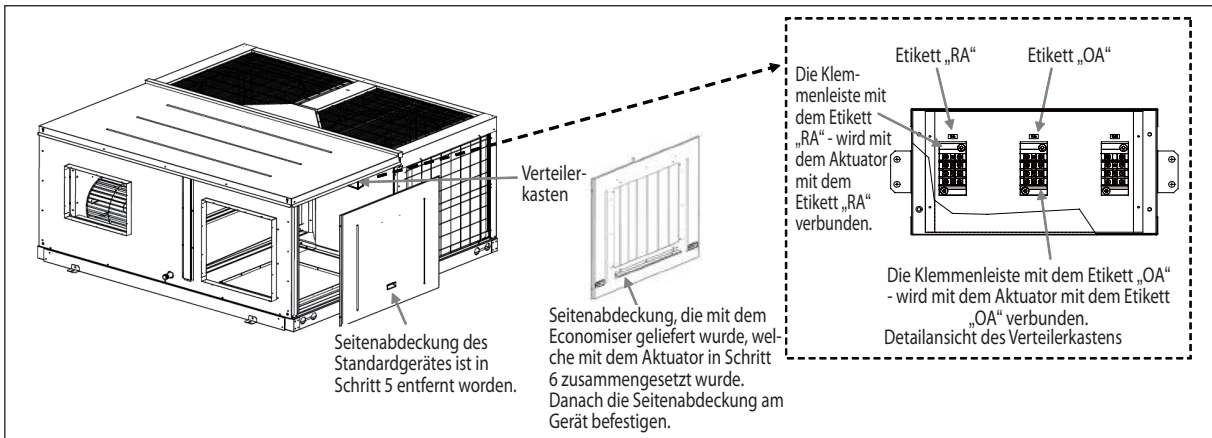
Etikett des Kabelinstallationsdiagramms auf der Vorderabdeckung des Verteilerkastens



VORSICHT

Falsche Leitungsverbindungen können zu Störungen des Aktuators oder der Economizer-Schalttafel oder beiden führen. Die Kabel mit lösbaren Kabelbindern unter dem Verteilerkasten festmachen.

- Den Belimo Aktuator, LF24-SR (Teil 1) mit dem Etikett „OA“, welcher sich jetzt in der Dämpferanordnung auf der Seitenabdeckung der Klemmenleiste, mit dem Etikett „OA“, befindet, an den gleichen Verteilerkasten anschließen. Dieselbe Methode, die zur Kabelverbindung zwischen dem Aktuator „RA“ und der Klemmenleiste „RA“ angewandt wurde, anwenden. Danach die Seitenabdeckung am Gerät befestigen. Wahrscheinlich müssen Sie die Kabel des Aktuators richtig anordnen, indem Sie die Kabelklemmen (allgemein erhältlich) verwenden, bevor Sie die Seitenabdeckung am Gerät befestigen.



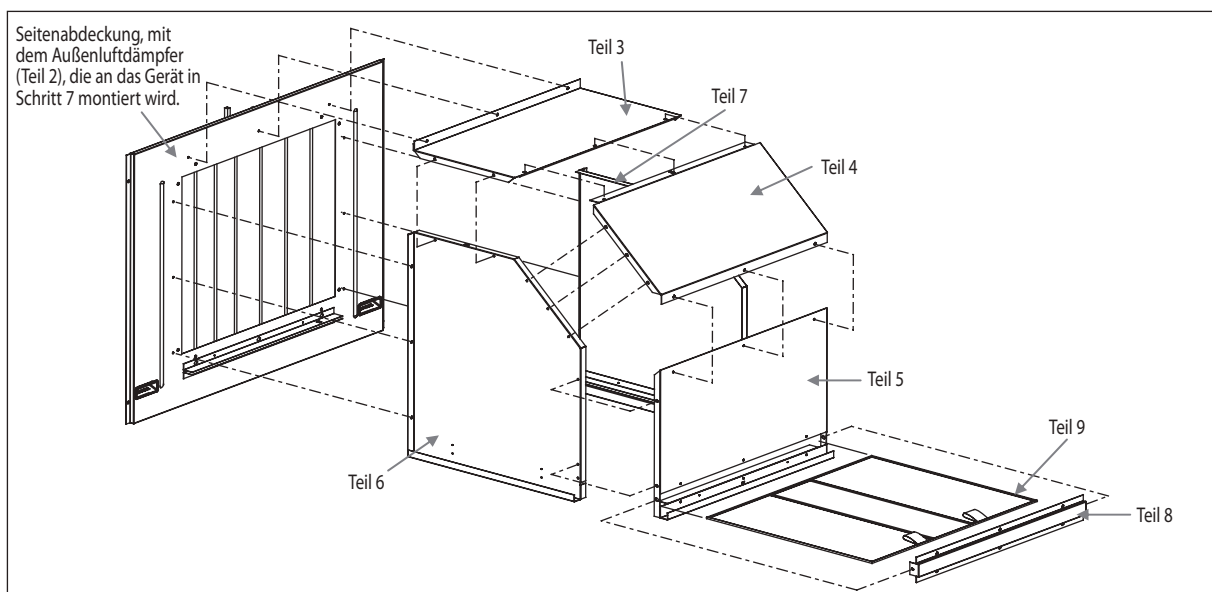
SCHRITT 8

- Um die Regenhaube zusammenzubauen, die losen Teile (Metallteile) an der Seitenabdeckung befestigen. Zuerst die Dichtung (allgemein erhältlich) an der Seitenabdeckung zur Abdichtung anbringen.
- Führen Sie nun die Installationsschritte unten aus, um die Regenhaube zu bauen:

Modell: UATYQ 250, 350, 450, 550, 600, 700

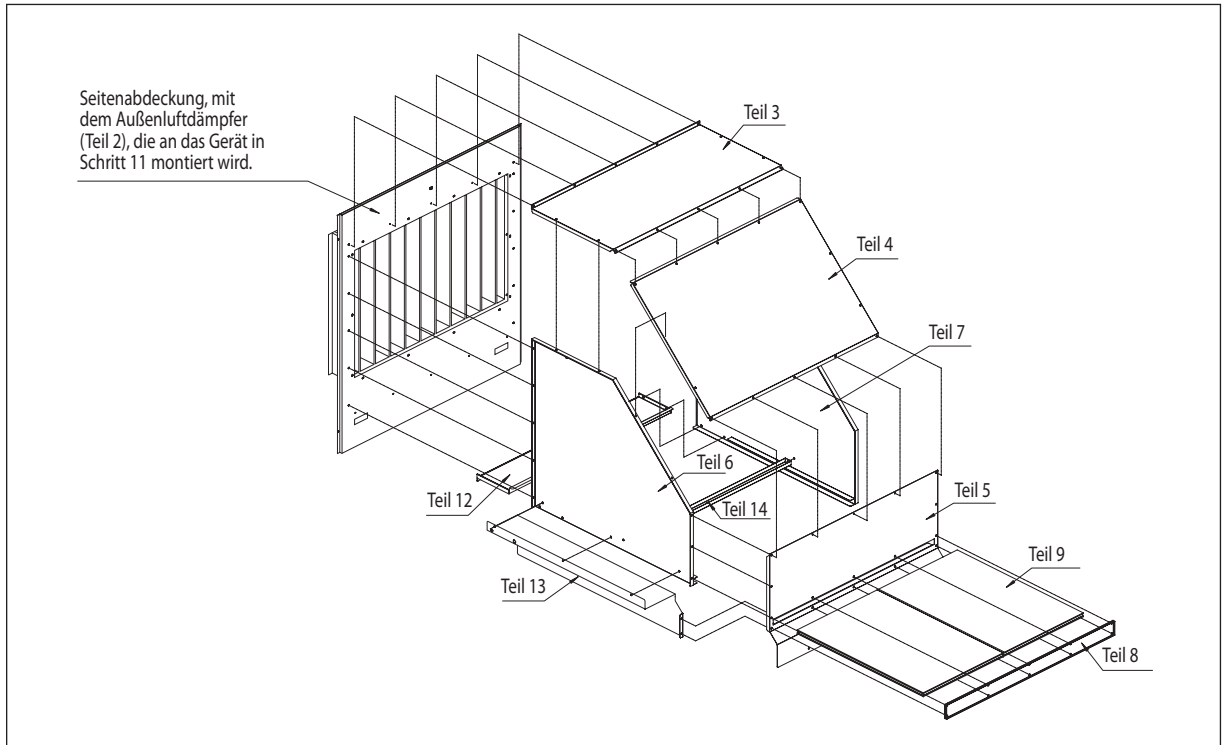
Dichtung

Teil 2 -----> Teil 6 -----> Teil 7 -----> Teil 3 -----> Teil 4 -----> Teil 5 -----> Teil 9 -----> Teil 8 -----> Dichtungsmaterial



Modell: UATYQ 900

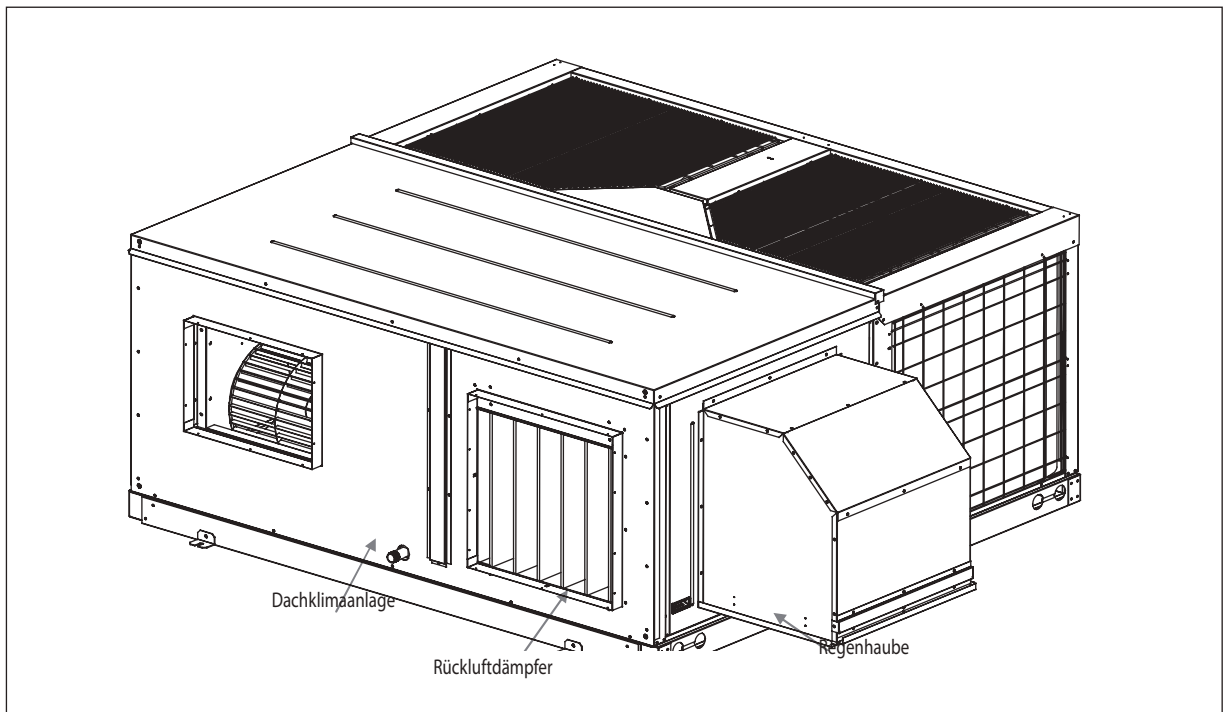
Dichtung
Teil 2 -----> Teil 6 -----> Teil 7 -----> Teil 12 -----> Teil 14 -----> Teil 5 -----> Teil 4 -----> Teil 3 -----> Teil 13 -----> Teil 9 -----> Teil 8 -----> Dichtungsmaterial



- Es wird empfohlen, alle Verbindungen und Zwischenräume mit einem witterungsbeständigen Dichtungsmaterial (z. B. Silikon) abzudichten, um sicherzustellen, dass die Regenhaube wasserfest ist.

SCHRITT 9

- Schließlich sehen Sie das Gerät mit dem Economiser-Set im unten stehenden Diagramm:



Hinweis

Das abgebildete Modell von Schritt 1 bis Schritt 9 ist UATYQ350. Andere Modelle folgen der gleichen Methode. Das abgebildete Modell von Schritt 1 bis Schritt 10 ist UATYQ900. Andere Modelle folgen der gleichen Methode.

(ii) Untere Return (vertikale) Montage

SCHRITT 1

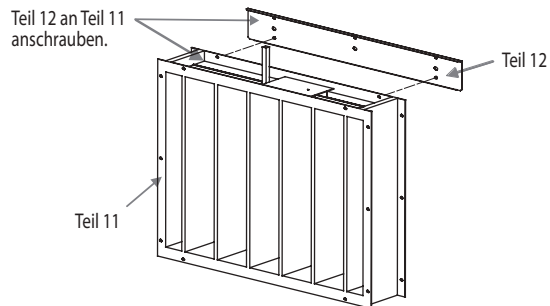
- Die Stromzuführung zum Gerät unterbrechen und eine Sicherheitssperrzange vor der Montage, Inbetriebnahme oder Wartung des Economisers installieren. Alle erwähnten Werkzeugen, die benötigt werden, vorbereiten.

SCHRITT 2

- Die Holzkiste mit dem Montagesatz des Economisers unter Verwendung der Brechstange und des Hammers auspacken. Dann die Polybeutel, die lose Teile und Verschlüsse enthalten, mit dem Schneider öffnen. Vor der Installation eine Kontrolle, wie oben erwähnt, durchführen.

SCHRITT 3

- Die Auflagekonsole, abwärtsgerichtet (Teil 12) zum Rückluftdämpfer (Teil 11) mit einer M5x16 Schraube (Teil 13), im Set mitgeliefert, zusammen schrauben.



Hinweis

Die Auflagekonsole, abwärtsgerichtet (Teil 12), steht nicht in ECONO 700 & 900 zur Verfügung. Zur Installation der Wärmetauschanlage für dieses Modell Schritt 3 überspringen und mit Schritt 4 fortfahren.

SCHRITT 4

- Einen Belimo Aktuator, LF24-SR (Teil 1) an den Rückluftdämpfer (Teil 11) montieren. Das Loch des Aktuators ausrichten und in den Schaft des Luftdämpfers einführen.



VORSICHT 1

Die Standardeinstellung für den Luftdämpfer (Teil 11) sollte vollständig geöffnet sein. Vor dem Montieren des Aktuators überprüfen, ob der Luftdämpfer in der „vollständig geöffneten“ Position ist. Eine Unterlassung kann zu einer Störung des Gerätes im normalen Betrieb führen.

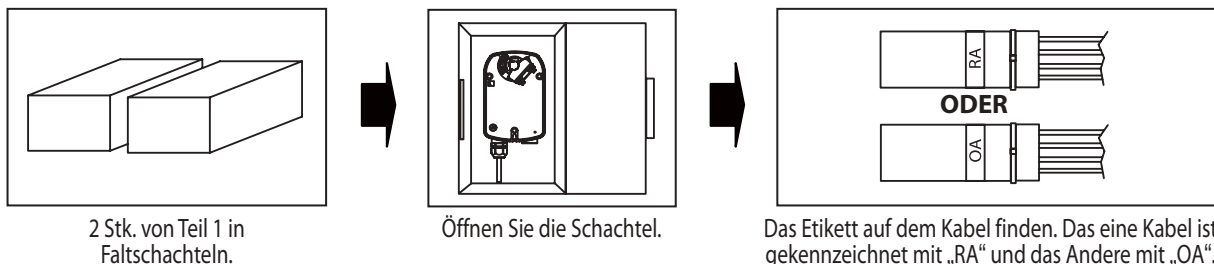


VORSICHT 2

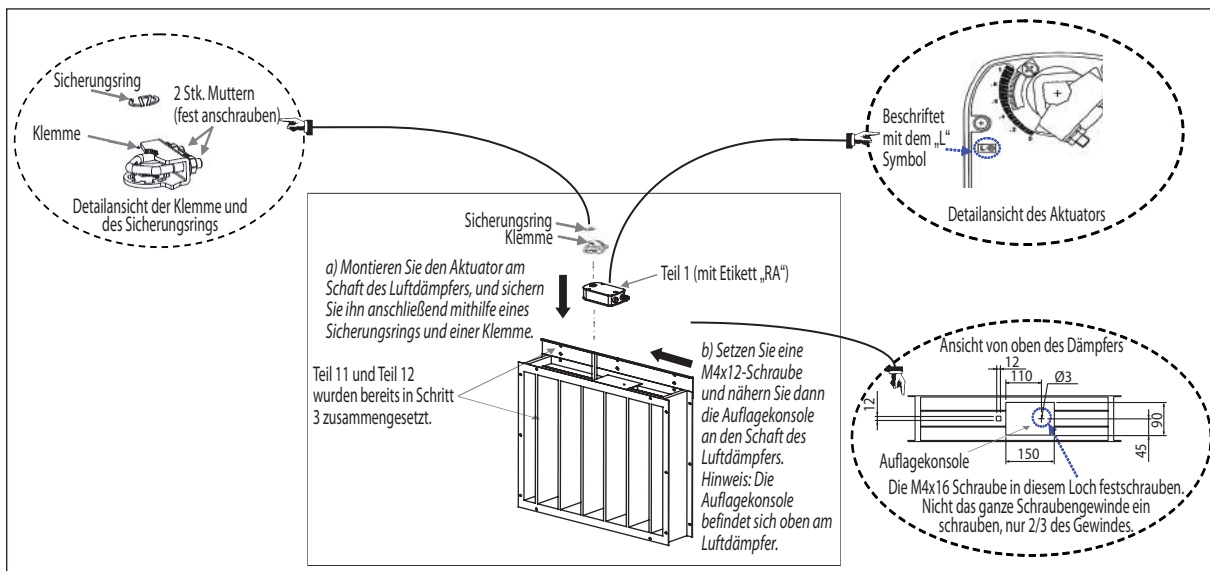
Die Oberfläche des Aktuators, welche nach oben/außen zeigt, sollte mit dem Buchstaben „L“ gekennzeichnet werden, um die Rotation der Aktuatomodulation im Uhrzeigersinn sicherzustellen. Eine Unterlassung kann zu einer Störung des Gerätes, das über einen Economiser verfügt, führen.

Hinweis

Es befinden sich 2 Stk. des Belimo Aktuators, LF24-SR (Teil 1) im Economiser-Montagesatz, der in Faltschachteln geliefert wurde. Die Schachteln öffnen und das Etikett auf dem Kabel finden. Der Aktuator, der in Schritt 4 verwendet wird, ist derjenige mit dem Etikett „RA“.



- Dann eine Schraube M4x12 (Teil 14) an die Auflagekonsole des Luftdämpfers anbringen. Das Schraubengewinde darf nicht vollständig eingesetzt werden; nur 2/3 des Schraubengewindes sollten eingesetzt werden. Den Aktuator an die Auflagekonsole montieren, indem die Auflagekonsole näher zum Schaft des Luftdämpfers gebracht wird. Die Funktion der M4x12 Schraube ist es, ein Schleifen des Aktuators während der Modulation, zu verhindern.
- Dann die Klemme in den Schaft geben und den Aktuator mit einem Sicherungsring sichern. Dann die Klemmenmutter mit einem Universalschraubenschlüssel fest anziehen. Die Klemme und der Sicherungsring werden zusammen mit dem Aktuator als Standardteile mitgeliefert. Diese Teile befinden sich in der Kiste des Aktuators.



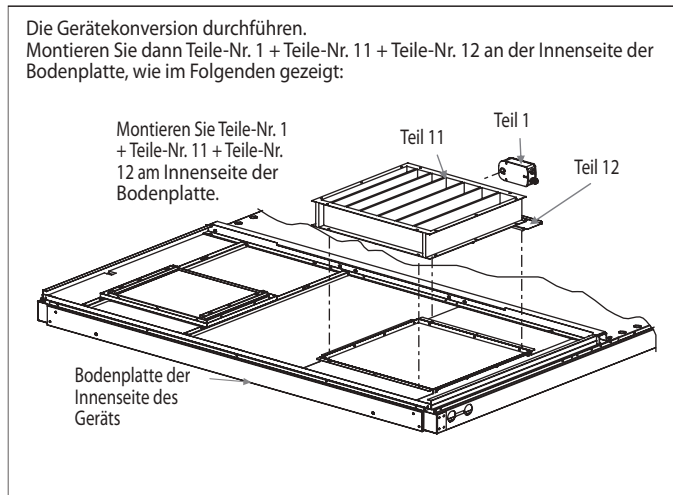
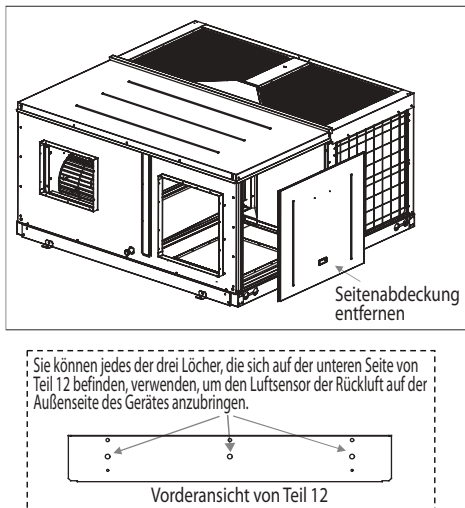
SCHRITT 5

- Seitenabdeckung entfernen. Um eine Umwandlung eines Standardgerätes zu einem abwärtsgerichteten Gerät zu vollziehen, die Schritte gemäß den Empfehlungen in Teil (G) unter Kapitel „INSTALLATION DES GERÄTS“ in diesem Handbuch befolgen.
- Die Luftdämpfer der Rückluft (Teil 11) + Auflagekonsole, abwärtsgerichtet (Teil 12) + Belimo Aktuator, LF24-SR (Teil 1), welche bereits in Schritt 3 und Schritt 4 zusammengesetzt wurden, in die Bodenplatte des Geräts mit den M5x16 Schrauben (Teil 13) installieren. Diese wurden bereits in Schritt 3 und 4 zusammengesetzt.



VORSICHT

Den Rückluftsensoren, welcher sich im Gerät (oberhalb der Rückluftöffnung) befindet, zum Außenbereich des Gerätes bringen. Der Sensor wird durch kleine Löcher der abwärtsgerichteten Auflagekonsole (Teil 12) geführt. Der Sensor ist dann korrekt im Rückluftkanal angebracht, wenn Kabelklemmen (allgemein erhältlich) angewendet werden. Eine Unterlassung dieses Schritts kann die Geräteleistung beeinträchtigen und zu unbehaglichen Raumtemperaturen führen. Bei Modell ECON0700 und UATYQ700 kann der Sensor durch das kleine Loch am Metallflansch der abwärtsgerichteten Rückluftöffnung geführt werden.



SCHRITT 6

- Einen Belimo Aktuator, LF24-SR (Teil 1) an die Seitenabdeckung des Außenabluftdämpfers (Teil 2) montieren. Das Loch des Aktuators ausrichten und in den Schaft des Luftdämpfers einführen.



VORSICHT 1

Die Standardeinstellung für den Außenabluftdämpfer (Teil 2) sollte vollständig geschlossen sein. Vor dem Montieren des Aktuators, den Luftdämpfer überprüfen. Dieser sollte in der „vollständig geschlossenen“ Position sein. Eine Unterlassung kann zu einer Störung des Gerätes im normalen Betrieb führen.

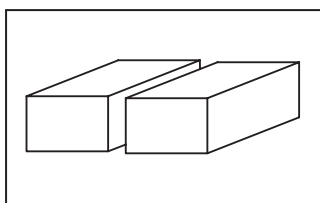


VORSICHT 2

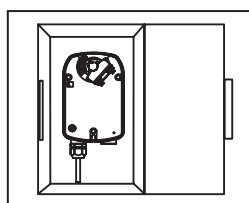
Die Oberfläche des Aktuators, welche nach oben/außen zeigt, sollte mit dem Buchstaben „R“ gekennzeichnet werden, um die Rotation der Aktuatormodulation gegen den Uhrzeigersinn sicherzustellen. Eine Unterlassung kann zu einer Störung des Gerätes, das über einen Economiser verfügt, führen.

Hinweis

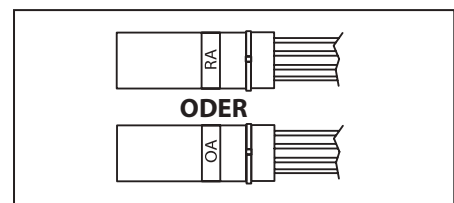
Es befinden sich 2 Stk. des Belimo Aktuators, LF24-SR (Teil 1) im Economiser-Montagesatz, der in Faltschachteln geliefert wurde. Die Schachteln öffnen und das Etikett auf dem Kabel finden. Der Aktuator, der in Schritt 6 verwendet wird, ist derjenige mit dem Etikett „OA“.



2 Stk. von Teil 1 in Faltschachteln.

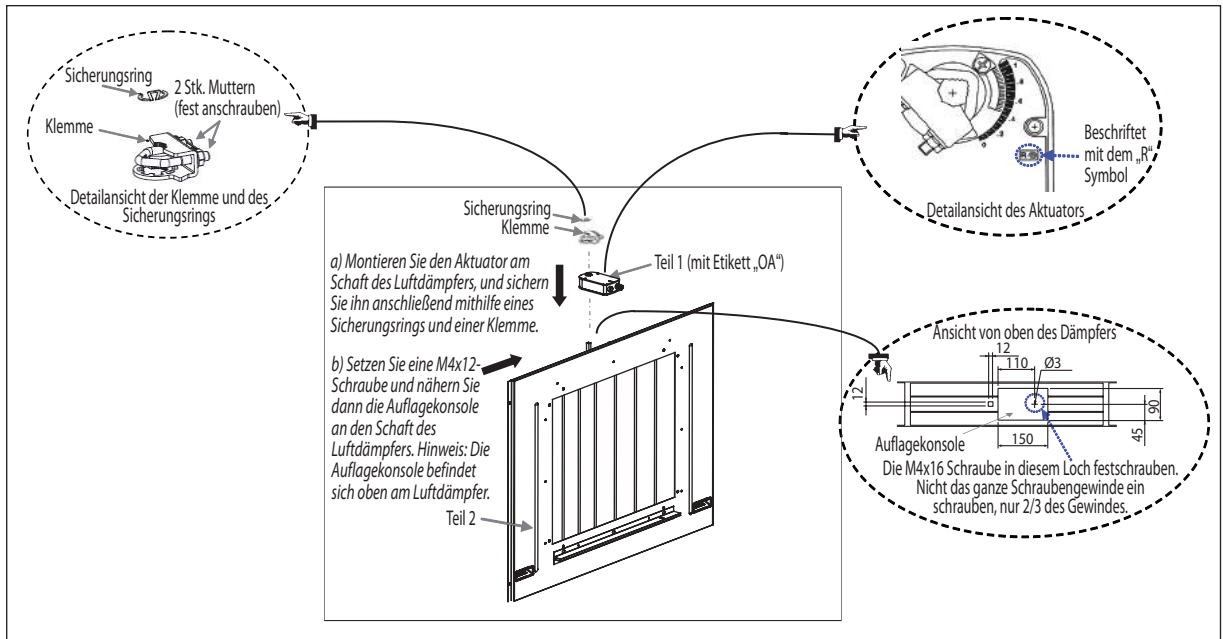


Öffnen Sie die Schachtel.



Das Etikett auf dem Kabel finden. Das eine Kabel ist gekennzeichnet mit „RA“ und das Andere mit „OA“.

- Dann eine Schraube M4x12 (Teil 14) an die Auflagekonsole des Luftdämpfers anbringen. Das Schraubengewinde darf nicht vollständig eingesetzt werden; nur 2/3 des Schraubengewindes sollten eingesetzt werden. Den Aktuator an die Auflagekonsole montieren, indem die Auflagekonsole näher zum Schaft des Luftdämpfers gebracht wird. Die Funktion der M4x12 Schraube ist es, ein Schleifen des Aktuators während der Modulation, zu verhindern.
- Dann die Klemme in den Schaft geben und den Aktuator mit einem Sicherungsring sichern. Dann die Klemmenmutter mit einem Universalschraubenschlüssel fest anziehen. Die Klemme und der Sicherungsring werden zusammen mit dem Aktuator als Standardteile mitgeliefert. Diese Teile befinden sich in der Kiste des Aktuators.

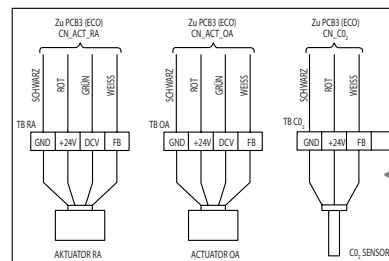


SCHRITT 7

- Schließen Sie den Belimo Aktuator LF24-SR (Teile-Nr. 1) mit der Aufschrift „RA“, der sich jetzt an der Luftdämpferbaugruppe auf der inneren Grundplatte befindet, an die Klemmenleiste im Verteilerkasten mit der Aufschrift „RA“ an.
- Es befinden sich vier Kabel in verschiedenen Farben (schwarz, rot, grün und weiß) auf dem Aktuator. Diese Kabel wie folgt verbinden:

- Schwarzes Kabel - Den ersten Pol mit dem Etikett „GND“ mit der Klemmenleiste verbinden.
- Rotes Kabel - Den zweiten Pol mit dem Etikett „+24V“ mit der Klemmenleiste verbinden.
- Grünes Kabel - Den dritten Pol mit dem Etikett „DCV“ mit der Klemmenleiste verbinden.
- Weißes Kabel - Den vierten Pol mit dem Etikett „FB“ mit der Klemmenleiste verbinden.

(Sie können sich auf das Etikett des Kabelinstallationsdiagramms beziehen, das sich auf der Vorderabdeckung des Verteilerkastens befindet.)



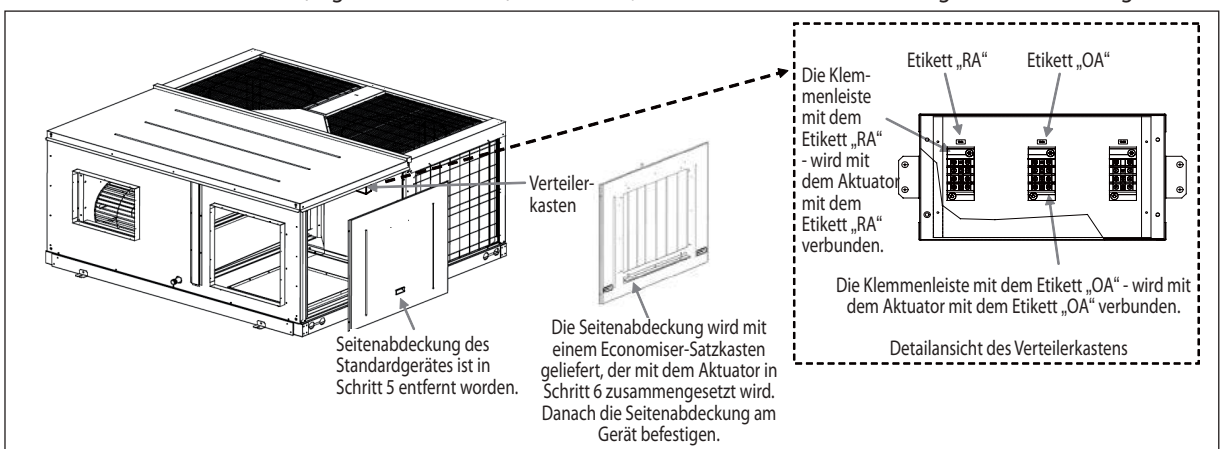
Etikett des Kabelinstallationsdiagramms auf der Vorderabdeckung des Verteilerkastens



VORSICHT

Falsche Leitungsverbindungen können zu Störungen des Aktuators oder der Economizer-Schalttafel oder beiden führen. Die Kabel mit lösbaren Kabelbindern unter dem Verteilerkasten festmachen.

- Den Belimo Aktuator, LF24-SR (Teil 1) mit dem Etikett „OA“, welcher sich jetzt in der Dämpferanordnung auf der Seitenabdeckung der Klemmenleiste, mit dem Etikett „OA“, befindet, an den gleichen Verteilerkasten anschließen. Dieselbe Methode, die zur Kabelverbindung zwischen dem Aktuator „RA“ und der Klemmenleiste „RA“ angewandt wurde, anwenden. Danach die Seitenabdeckung am Gerät befestigen. Wahrscheinlich müssen Sie die Kabel des Aktuators richtig anordnen, indem Sie die Kabelklemmen (allgemein erhältlich) verwenden, bevor Sie die Seitenabdeckung am Gerät befestigen.

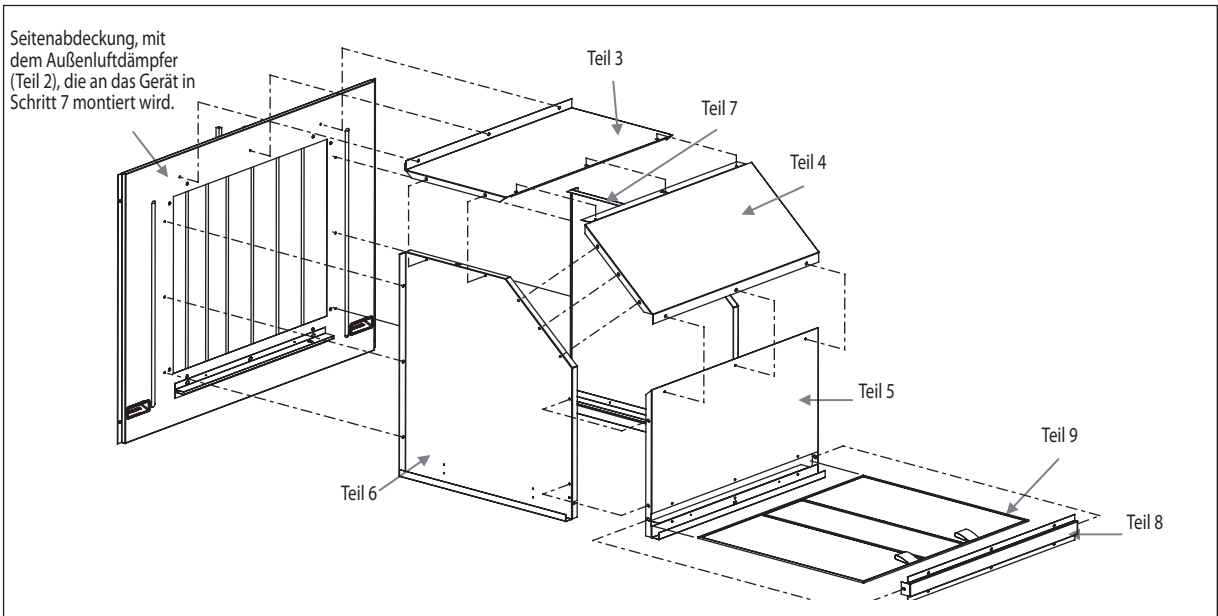


SCHRITT 8

- Um die Regenhaube zusammenzubauen, die losen Teile (Metallteile) an der Seitenabdeckung befestigen. Zuerst die Dichtung (allgemein erhältlich) an der Seitenabdeckung zur Abdichtung anbringen.
- Führen Sie nun die Installationsschritte unten aus, um die Regenhaube zu bauen:

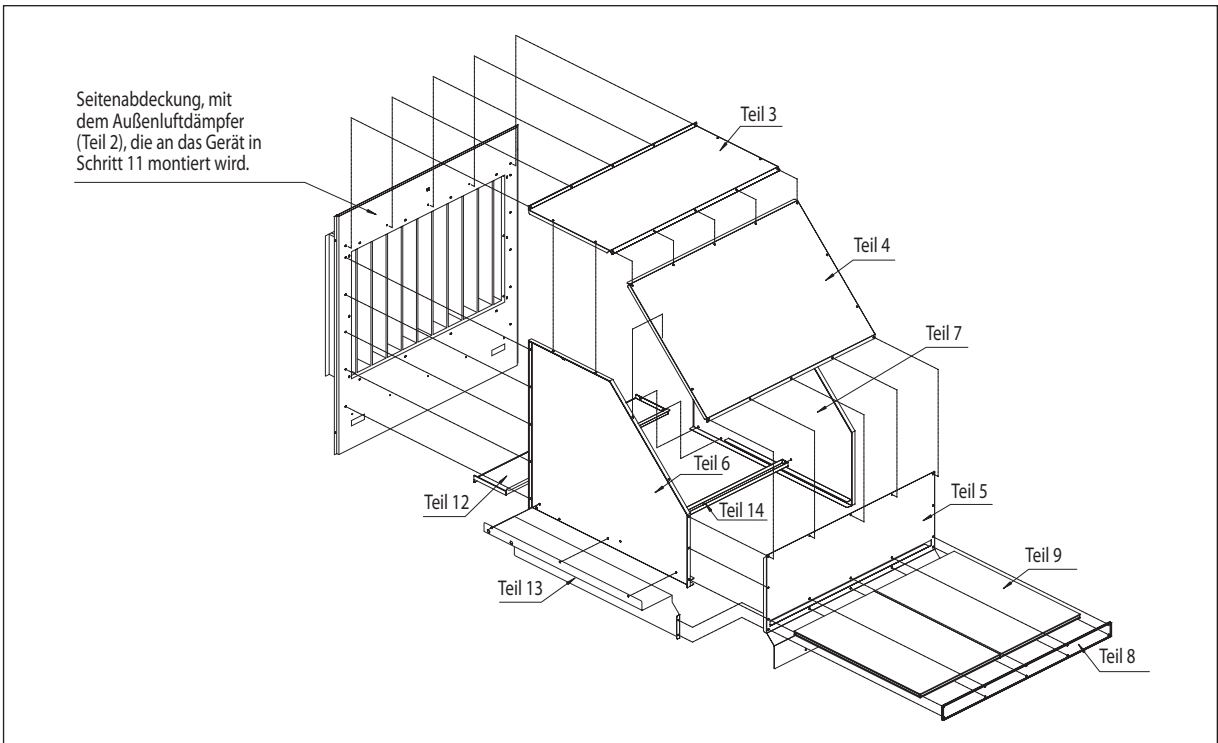
Modell: UATYQ 250, 350, 450, 550, 600, 700

Dichtung
Teil 2 -----> Teil 6 -----> Teil 7 -----> Teil 3 -----> Teil 4 -----> Teil 5 -----> Teil 9 -----> Teil 8 -----> Dichtungsmaterial



Modell: UATYQ 900

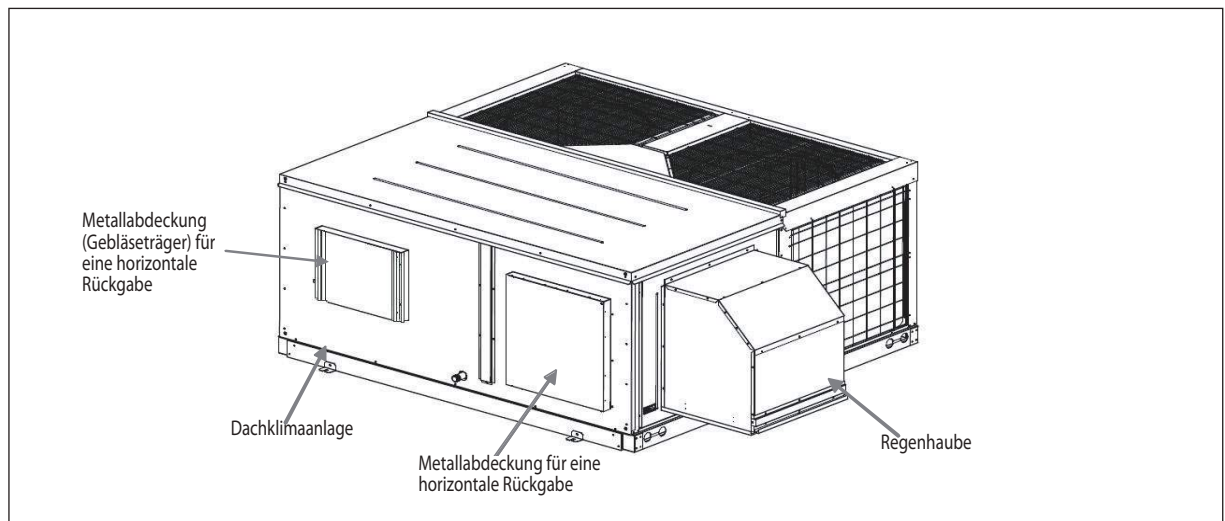
Dichtung
Teil 2 -----> Teil 6 -----> Teil 7 -----> Teil 12 -----> Teil 14 -----> Teil 5 -----> Teil 4 -----> Teil 3 -----> Teil 13 -----> Teil 9 -----> Teil 8 -----> Dichtungsmaterial



- Es wird empfohlen, alle Verbindungen und Zwischenräume mit einem witterungsbeständigen Dichtungsmaterial (z. B. Silikon) abzudichten, um sicherzustellen, dass die Regenhaube wasserfest ist.

SCHRITT 9 & SCHRITT 10 (für UATYQ350 anwendbar).

- Schließlich sehen Sie das Gerät mit dem Economiser-Set im unten stehenden Diagramm:
- Sollte es sich um ein Mansardendach für ein abwärtsgerichtetes Gerät handeln, beziehen Sie sich auf die Empfehlungen in Teil (C) unter Kapitel „INSTALLATION DES GERÄTS“ in diesem Handbuch.



Hinweis

Das abgebildete Modell von Schritt 1 bis Schritt 9 ist UATYQ350. Andere Modelle folgen der gleichen Methode. Das abgebildete Modell von Schritt 1 bis Schritt 10 ist UATYQ900. Andere Modelle folgen der gleichen Methode.

E Inbetriebnahme

(i) Luftwiderstand

Luftwiderstand bezieht sich auf den Druckabfall, der durch den Economiser entsteht. Vor der Installation ist es empfehlenswert, die Druckabfalltabelle, welche mit dem Engineering Data Book zur Verfügung gestellt wird, zu überprüfen, um den Aufbau korrekt zu planen.

(ii) Leistungsanpassung

Die Geräteleistung wird herabgesetzt, wenn das Gerät im Frischluftmodus betrieben wird; dies ist von der Auswahl des Benutzers abhängig. Vor der Installation ist es empfehlenswert, die Berichtigungsfaktortabelle, welche mit dem Engineering Data Book zur Verfügung gestellt wird, zu überprüfen, um den Aufbau korrekt zu planen.

(iii) Modusselektion

Im Allgemeinen hat man zwei Moden zur Auswahl: den Wärmetauschmodus und den Frischluftmodus.

- Economisermodus: Stellt „freie“ Kühlung zur Verfügung, wenn die Außentemperatur sich dazu eignet, alleine oder in Verbindung mit mechanischer Kühlung.
- Frischluftzufuhr-Modus: Sorgt für Mindestfrischluft entweder zur Ventilation oder wenn örtliche Gegebenheiten dies verlangen.

Hinweis

Betreffend Modusselektion sich auf die Anleitungen der Hardwareeinstellungen in Teil (D) (v) unter Kapitel „ANLEITUNG ZUM STEUERUNGSVORGANG“ in diesem Handbuch, beziehen.

(iv) Einstellung der Mindestfrischluft

Dieses Gerät stellt eine Auswahl von Mindestfrischluft von 0~25% für den Kühl- und Heizmodus zur Verfügung. Während des Economisermodus & Ventilator ein Maximum von 85% Frischluft zur Verfügung stellen kann.

Hinweis

Beziehen Sie sich auf die Anleitungen der Hardwareeinstellungen in Teil (D) (v) unter Kapitel „LEITFADEN FÜR OPERATIONSSTEUERUNG“ in diesem Handbuch für Auswahl der Mindestfrischluft.

(v) Unterkühlungsschutz

Ein thermisches Unbehagen kann während der Raumkühlung aufgrund des geöffneten Außenluftdämpfers entstehen. Diese Situation kann umgangen werden, indem der Unterkühlungsschutz aktiviert wird.

Hinweis

Lesen Sie die Anleitungen der Hardwareeinstellungen in Teil (D) (v) unter Kapitel „ANLEITUNG ZUM STEUERUNGSVORGANG“ in diesem Handbuch zur Aktivierung der Unterkühlungsschutz-Einstellung.

(vi) Betriebsbereich

Der anwendbare Betriebsbereich des Gerätes mit Economiser ist derselbe, wie bei einem normalen Gerät. Siehe unter Kapitel „BETRIEBSBEREICH“ in diesem Handbuch.

Trotzdem kann diese Einschränkung von Frischluftöffnung in hoher oder niedriger Umgebungstemperatur entstehen, um die Zuverlässigkeit des Geräts zu gewährleisten. Für detaillierte Informationen siehe Engineering Data Book.



VORSICHT

Die Leistungsfähigkeit wird bei hoher oder niedriger Umgebungstemperatur herabgesetzt, siehe Teil (E)(ii).

(vii) Optional erhältlicher Luftfilter

Im Gerät befindet sich ein 2-Zoll-Filter Schlitz. Ein optionaler Filter (allgemein erhältlich) wird als Zweischichtfiltration empfohlen, da die Öffnung des Außenluftdämpfers Staub und Schmutz hereinbringen kann.

F Instandhaltung und Wartung

(i) Wartung des Filters

Der Luftwiderstand kann sich erhöhen, wenn der Filter schmutzig wird. Daher den Filter regelmäßig mindestens alle 2 Wochen reinigen. Der Luftfilter in der Regenhaube ist der Außenumgebung ausgesetzt und kann von Ungeziefer und Tieren beschädigt werden. Sollte der Luftfilter beschädigt sein, diesen ersetzen.

(ii) Wartung des Innenraums

Die Öffnung des Außenluftdämpfers kann Staub und Schmutz hereinbringen, da der Filter nicht alle Schmutzpartikel filtern kann. Daher auch den Innenraum während der Filterwartung reinigen.

(iii) Wartung der Luftdämpfer

Die schmutzigen Luftdämpfer abwischen, vor allem den Außenluftdämpfer, welcher ständig der Umwelt ausgesetzt ist.

Hinweis

Siehe unter Kapitel „INSTANDHALTUNG UND WARTUNG“ in diesem Handbuch.

- Die gesteuerte Bedarfslüftung reduziert den Energieverbrauch und sorgt gleichzeitig für eine angemessene Luftqualität. Anstelle die festgesetzte Luftaustauschrate einzustellen, kann der Kohlendioxidssensor (CO₂-Sensor) verwendet werden, um die Austauschrate dynamisch zu regeln anhand der Emissionen der gegenwärtigen Bewohner des Gebäudes.
- Der CO₂-Sensor ist ein optionaler Komponente, der in Fachgeschäften erhältlich ist. Siehe untenstehende Informationen für die empfohlene Auswahl der CO₂-Sensoren.

- Modell: Kanalmontiertes Modell
- Stromeinspeisung: 24 VDC, 50Hz
- Betriebstemperaturbereich: 0 ~ 52°C
- Außentemperaturbereich: -15 ~ 52°C
- Meßbereich: 0 ~ 5000 PPM (abhängig von der Anwendung)
- Ausgangsspannung: 2 ~ 10 VDC
- Kabelgröße: AWG18
- Maximal zulässiger Gleichstrom: 7A
- Erfüllungsstandarde: Gemäß den örtlichen und nationalen Bestimmungen

- Die Economisersteuereinheit kommt mit einer eingebauten Software, die bereit zur Integration des CO₂-Sensors ist. Diese wird nur im Economisermodus aktiviert. Der Benutzer kann verschiedene Grenzwerte mit dem Dip-Schalter 3 wählen. Beziehen Sie sich auf die Anleitungen der Hardwareeinstellungen in Teil (D) (v) unter Kapitel „ANLEITUNG ZUM STEUERUNGSVORGANG“ in diesem Handbuch für CO₂ PPM Stufenauswahl der Grenzwerte.

Zum Beispiel: Um einen CO₂-Sensor mit einem Meßbereich von 0 ~ 5000 PPM mit dem Grenzwert von 1250PPM zu verwenden, muss der Benutzer die folgenden Schritte befolgen:

Schritt 1: Den SW4 im einzigen Dip-Schalter auf der Hauptschalttafel auf Position ON stellen (Standardwerkeinstellung ist in der Position OFF).

Schritt 2: Der Schalttafelparameter G6 (Economiserregler) in der Fernsteuerungseinrichtung auf ‚1‘ (ON) (Standardwerkeinstellung ist in der Position ‚0‘ (OFF)).

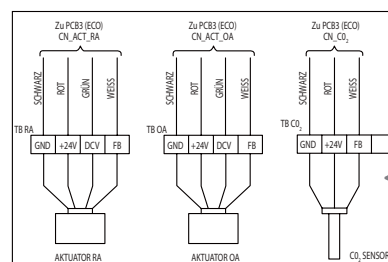
Schritt 3: Versichern Sie sich, dass der SW2 im Dip-Schalter 4 (Economiserschalttafel) auf Position OFF gestellt ist (Standardwerkeinstellung ist in der Position OFF).

Schritt 4: SW1 im Dip-Schalter 3 aktivieren (Economiserschalttafel) auf Position ON (Standardwerkeinstellung ist in der Position OFF).

{ SW1 im Dip-Schalter 3 = 25% kalkuliert, d.h. 25% von 5000 PPM oder gleichwertig zu 1250 PPM }.

- Wenn der CO₂-Sensor der Umwelt ausgesetzt ist, den Sensor mit einem spritzwassersicheren (IPX4) Kasten abdecken, der mit einer Schraube als Verriegelungsmechanismus oder einer ähnlichen Methode gesichert wird, um ein Eindringen von Wasser in den CO₂ pt-Sensor sowie einen möglichen Kontakt dessen mit dem Sensor zu verhindern. Der Anschluss des CO₂ pt-Sensors wird als stromführendes Teil angesehen.
- Danach das Kabel vom CO₂-Sensor mit dem Verteilerkasten im Innenraum des Gerätes verbinden. Der CO₂-Sensor verfügt über drei Kabel. Diese Kabel wie folgt verbinden:

- | | |
|---------------------------------|---------------------------------------------------------------------------|
| Erdleiter | - den ersten Pol der Klemmenleiste, mit dem Etikett „GND“, verbinden. |
| +24VDC stromführendes Kabel | - den zweiten Pol mit dem Etikett „+24V“ mit der Klemmenleiste verbinden. |
| Ausgangs- / Feedbacksignalkabel | - den dritten Pol der Klemmenleiste, mit dem Etikett „FB“, verbinden. |
- (Sie können sich auf das Etikett des Kabelinstallationsdiagramms beziehen, das sich auf der Vorderabdeckung des Verteilerkastens befindet.)

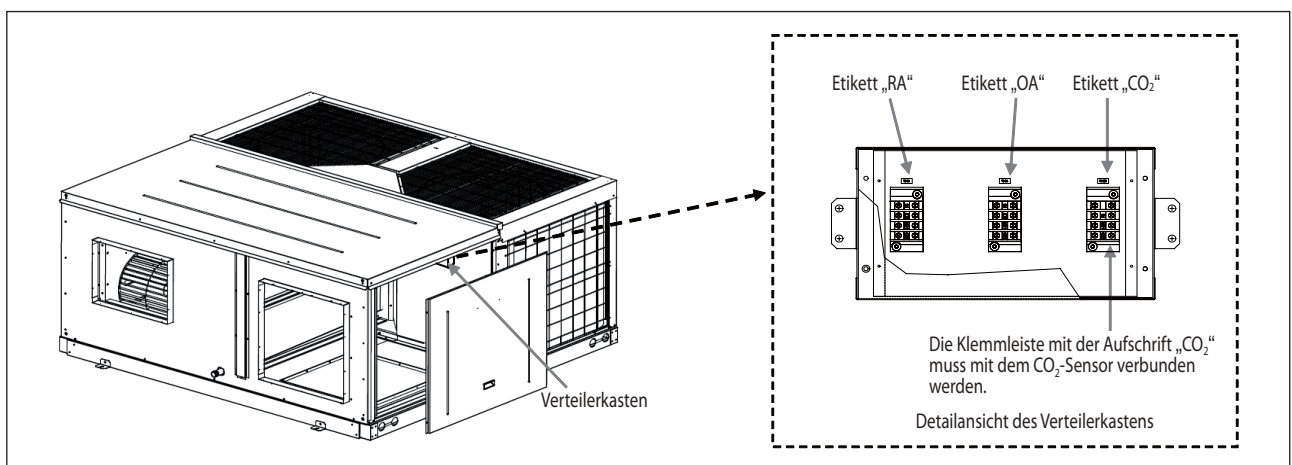


Etikett des Kabelinstallationsdiagramms auf der Vorderabdeckung des Verteilerkastens



VORSICHT

Falsche Leitungsverbindungen können zu Störungen des CO₂-Sensors oder der Economiserschalttafel oder beiden führen. Die Kabel mit lösbaren Kabelbindern unter dem Verteilerkasten festmachen.



(i) Limitationen der Wärmetauscheinheit in Thermostatsteuerung

Die Thermostatsteuerung wird von Dritten kontrolliert. Daher ist die eingestellte Temperatur einer spezifischen Anwendung nicht bekannt. In diesem Fall empfehlen wir Ihnen die Fernsteuerungseinrichtung zu verwenden, um die verlangte Temperatur vor der Hardwareeinstellung für die Thermostatsteuerung, einzustellen.

Hinweis

Betreffend Modusselektion sich auf die Anleitungen der Hardwareeinstellungen in Teil (D) (v) unter Kapitel „ANLEITUNG ZUM STEUERUNGSVORGANG“ in diesem Handbuch, beziehen.

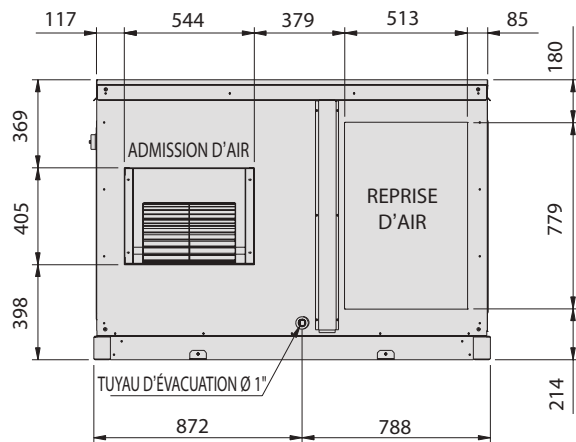
(ii) Notwendig für Druckentlastung

Frischlufte kann zu einem höheren Druck im Raum und somit zu einem Gefühl der Unbehaglichkeit des Benutzers führen. Wenn notwendig, empfehlen wir Ihnen einen Druckentlastungsdämpfer im Rückluftkanal zu installieren.

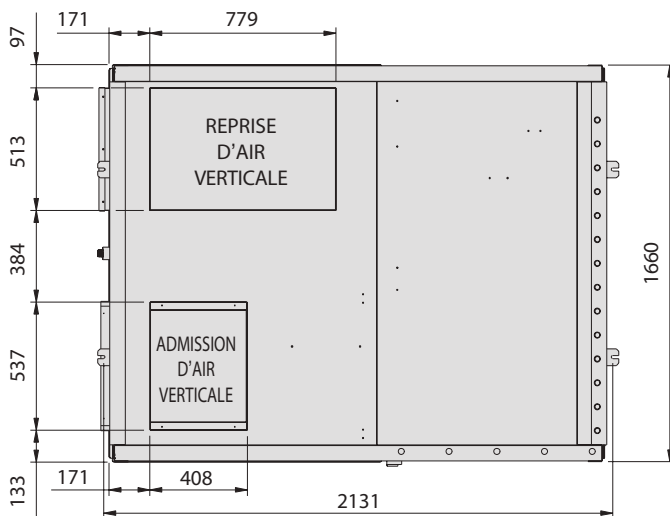
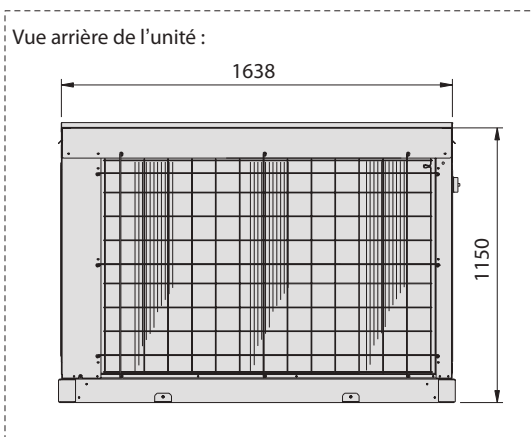
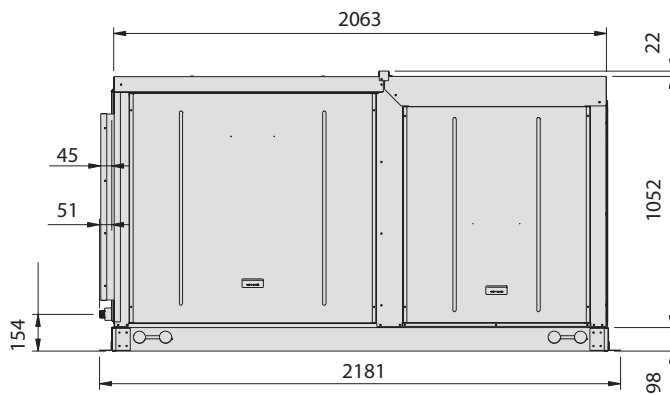
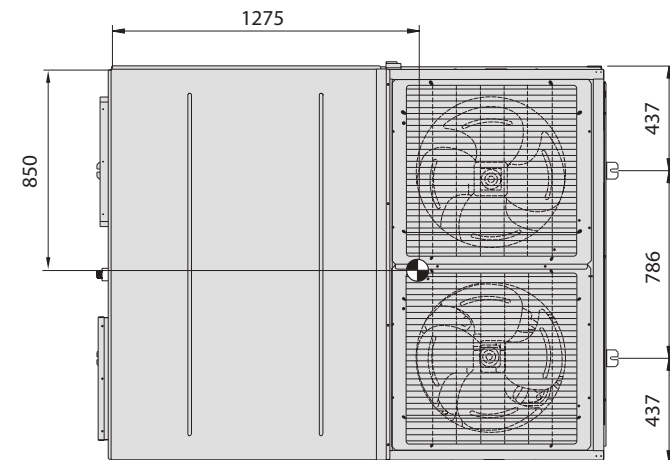
CONTOUR ET DIMENSIONS

Modèle : UATYQ250

Toutes les dimensions sont données en mm



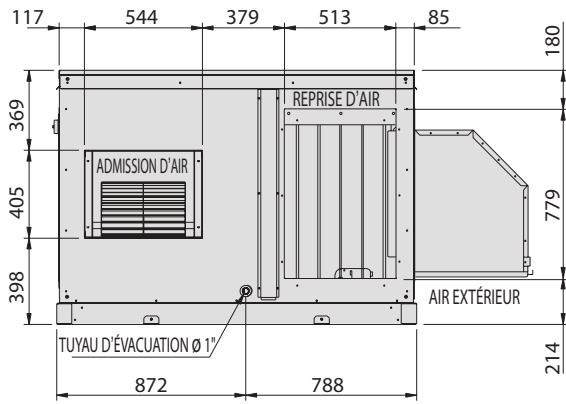
POUR REFOULEMENT HORIZONTAL



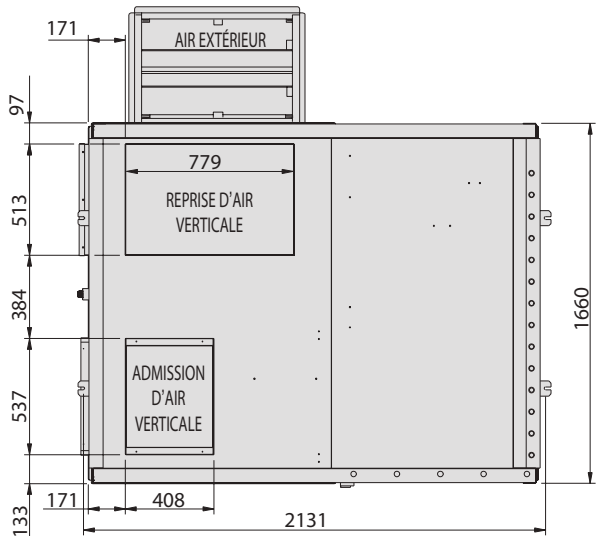
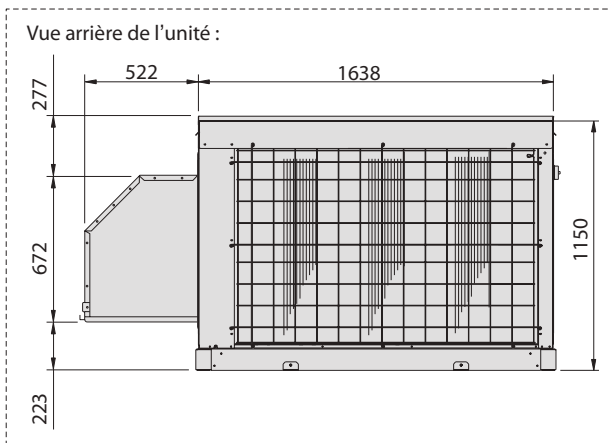
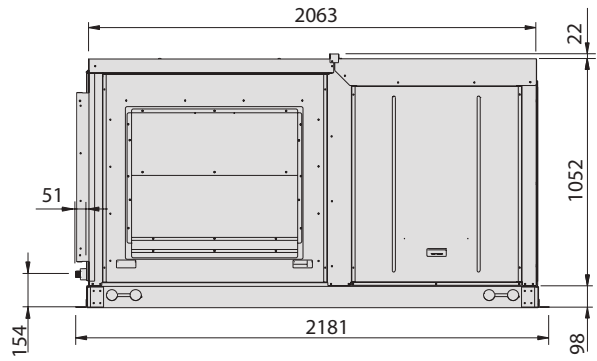
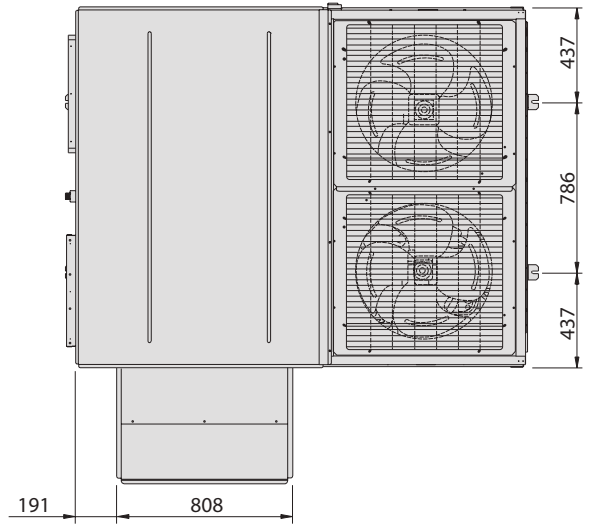
POUR REFOULEMENT VERTICAL

Modèle : UATYQ250 AVEC ÉCONOMISEUR EN OPTION

Toutes les dimensions sont données en mm

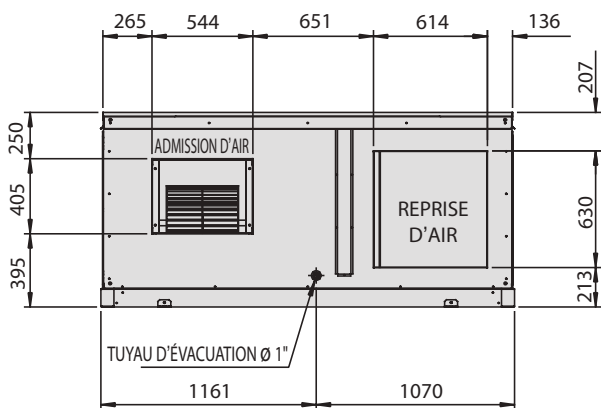
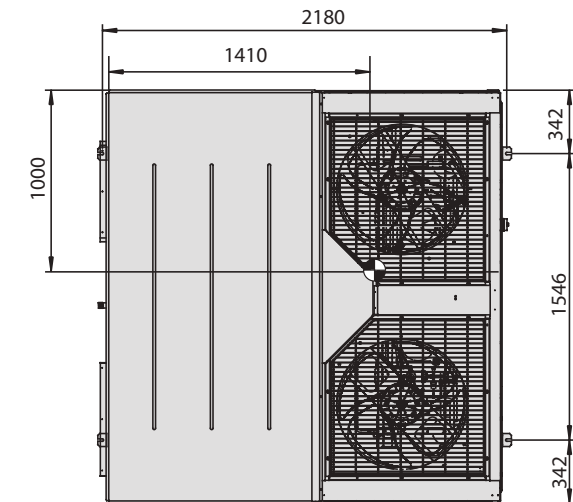


POUR REFOULEMENT HORIZONTAL

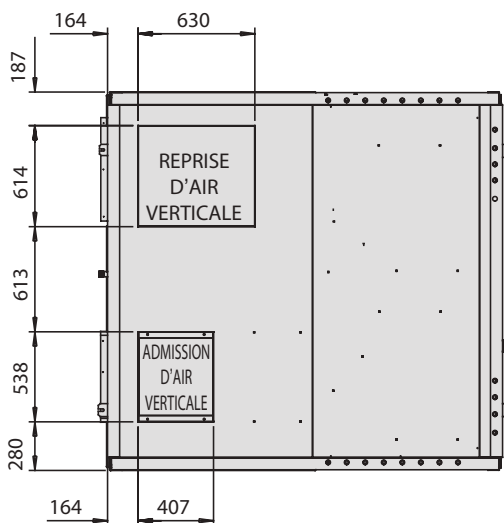
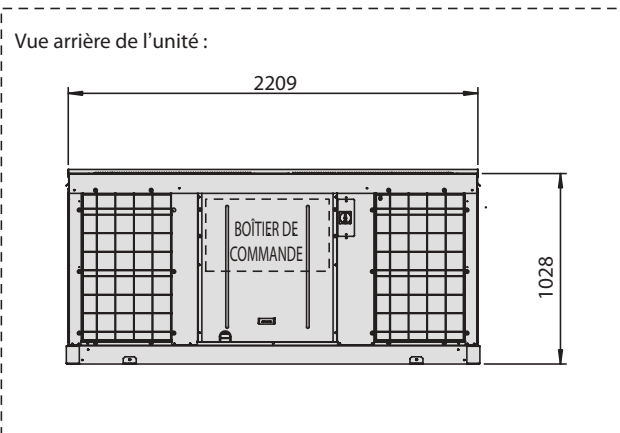
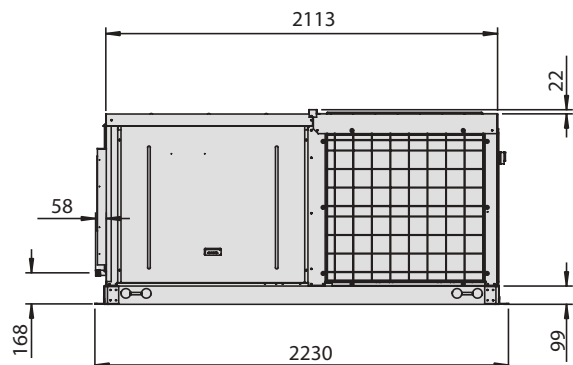


POUR REFOULEMENT VERTICAL

Toutes les dimensions sont données en mm



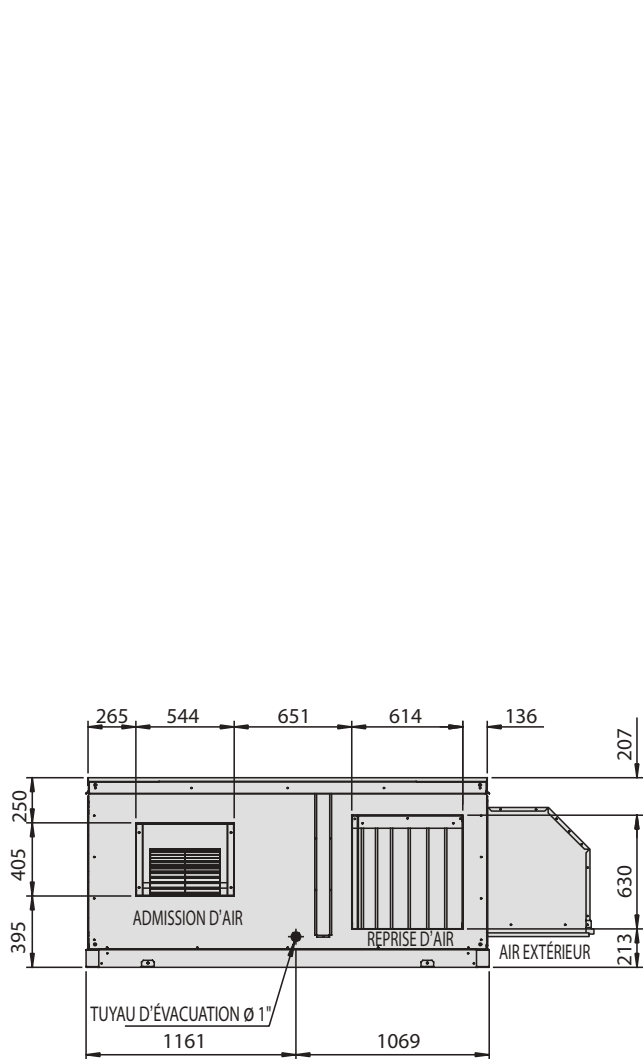
POUR REFOULEMENT HORIZONTAL



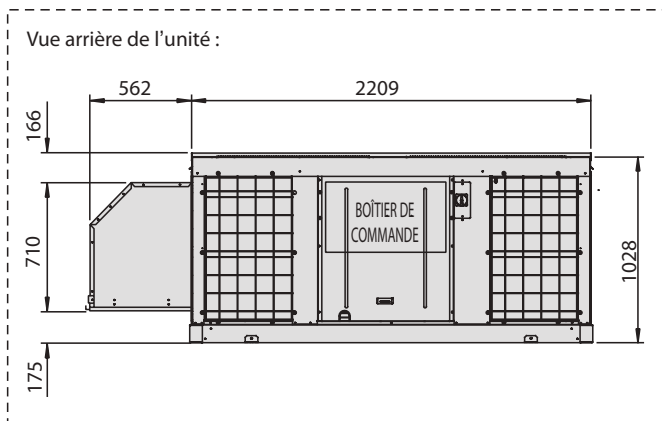
POUR REFOULEMENT VERTICAL

Modèle : UATYQ350 AVEC ÉCONOMISEUR EN OPTION

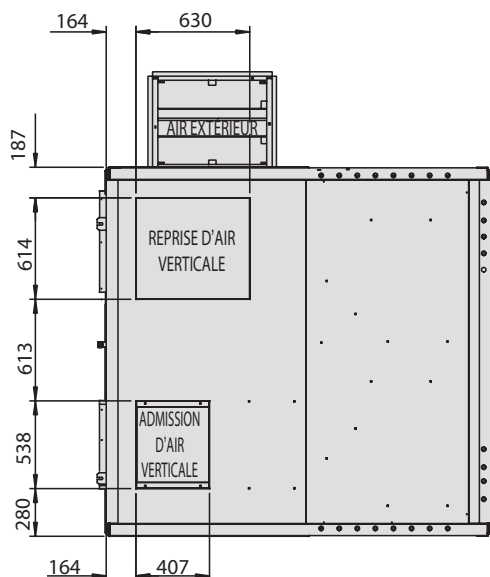
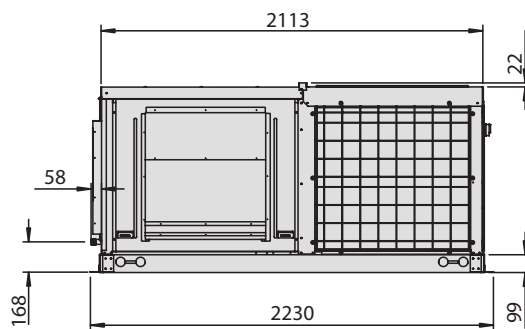
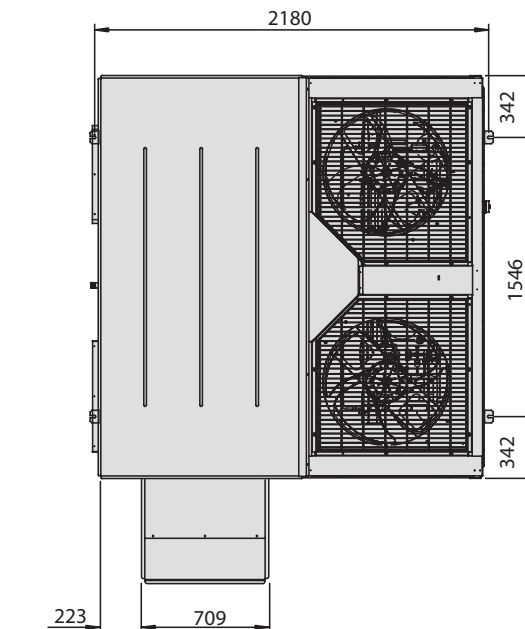
Toutes les dimensions sont données en mm



POUR REFOULEMENT HORIZONTAL

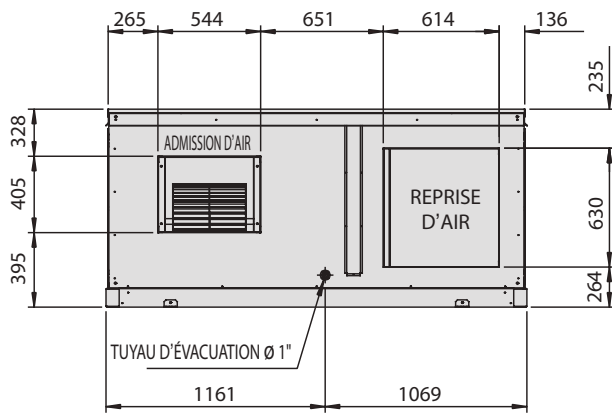


Vue arrière de l'unité :

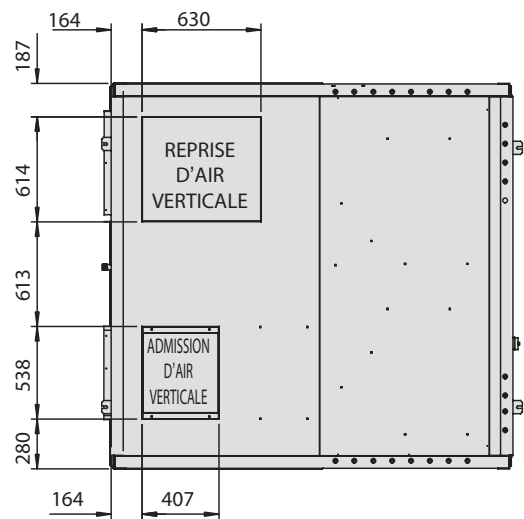
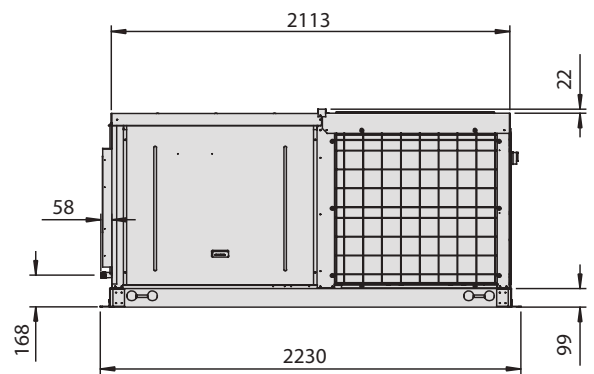
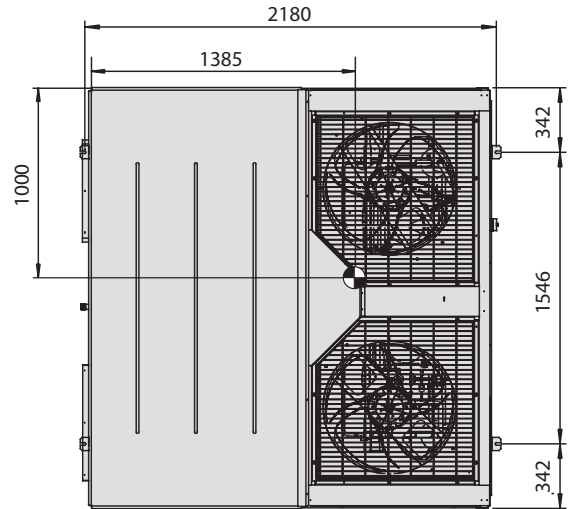
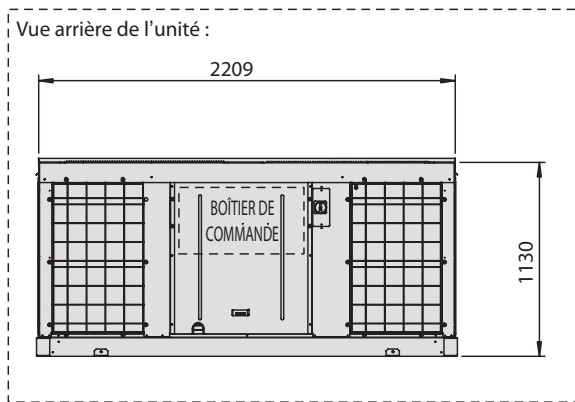


POUR REFOULEMENT VERTICAL

Toutes les dimensions sont données en mm



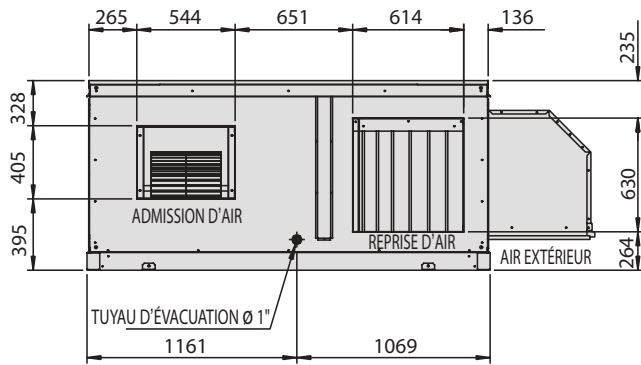
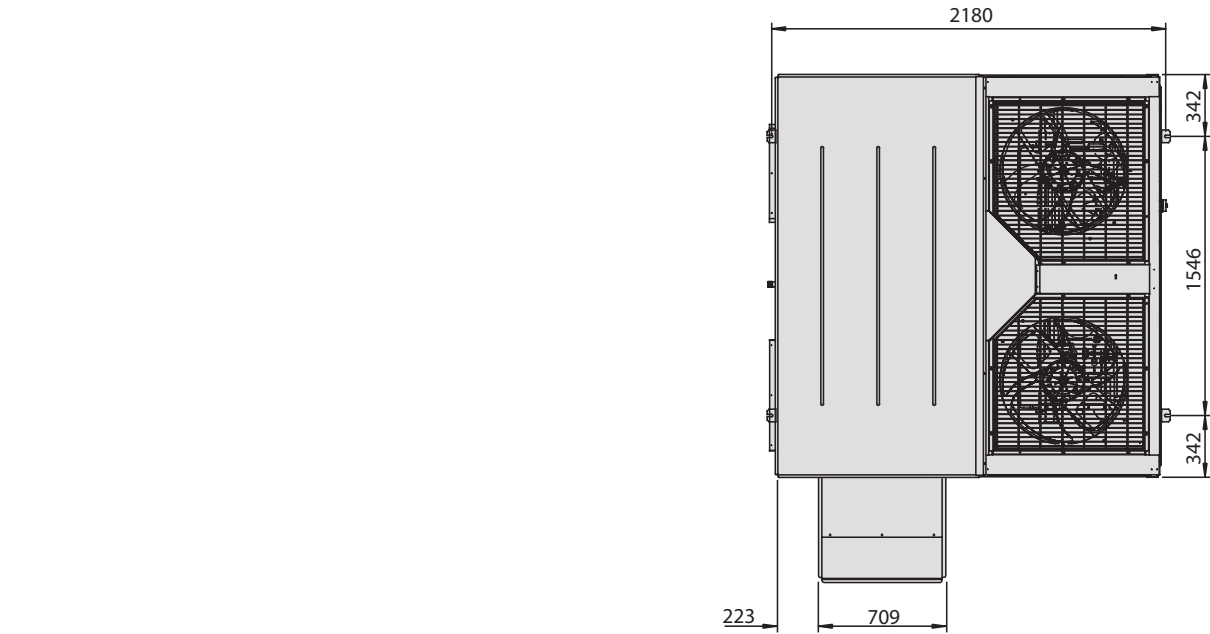
POUR REFOULEMENT HORIZONTAL



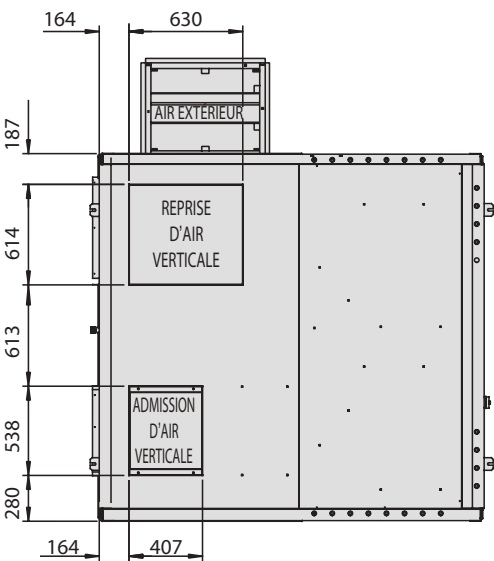
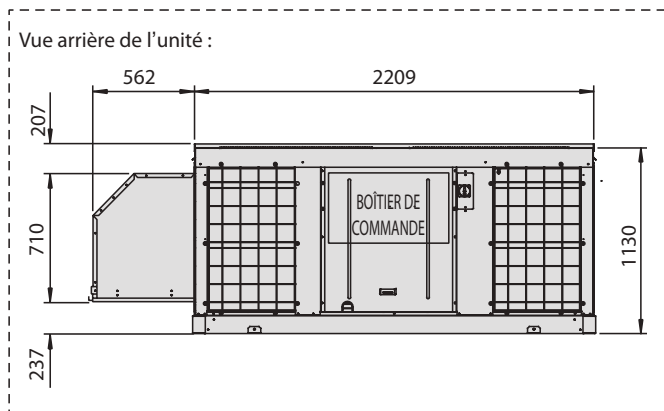
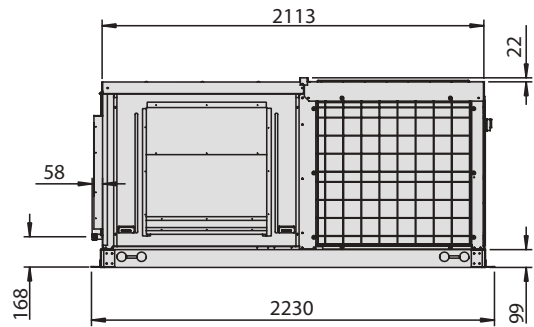
POUR REFOULEMENT VERTICAL

Modèle : UATYQ450 AVEC ÉCONOMISEUR EN OPTION

Toutes les dimensions sont données en mm

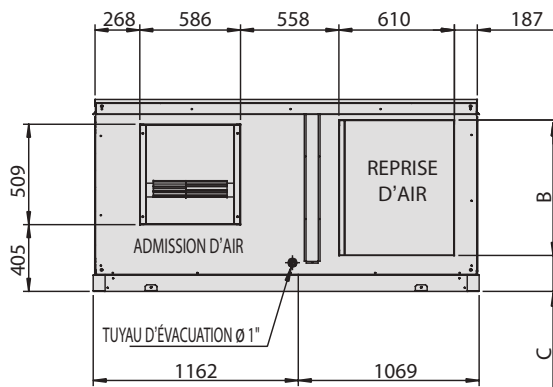
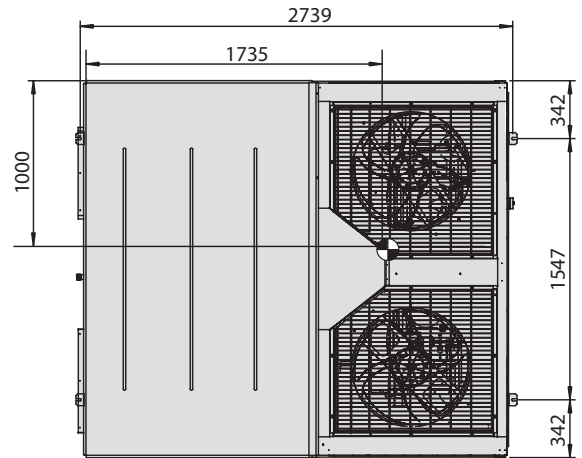


POUR REFOULEMENT HORIZONTAL

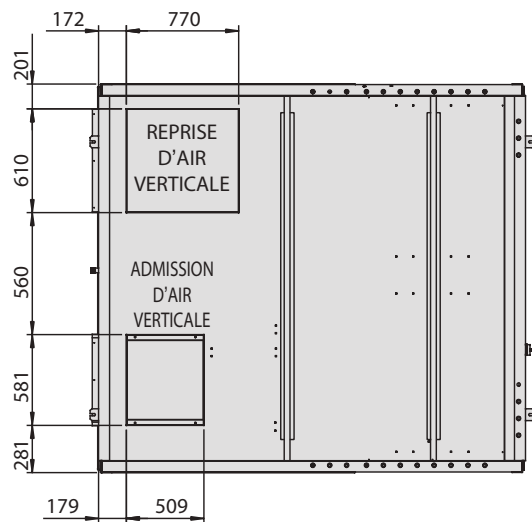
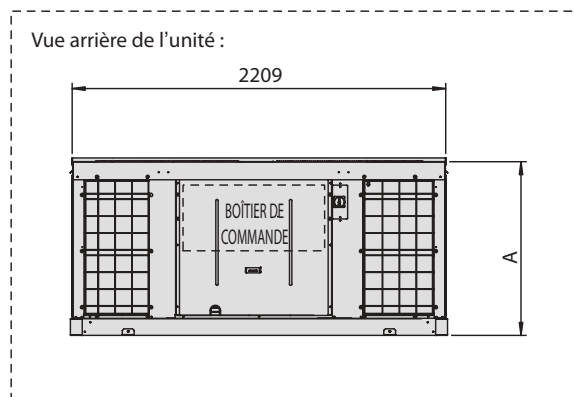
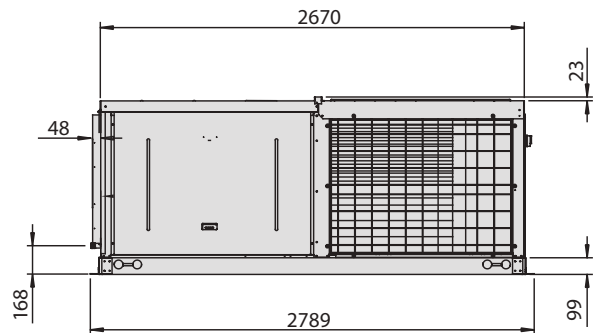


POUR REFOULEMENT VERTICAL

Toutes les dimensions sont données en mm



POUR REFOULEMENT HORIZONTAL



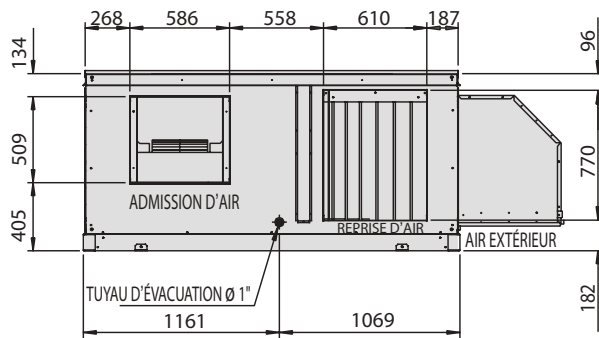
POUR REFOULEMENT VERTICAL

Modèle (UATYQ)	550	600	700	900
A	1048	1302	1454	1454
B	770	770	1176	1176
C	182	322	182	182

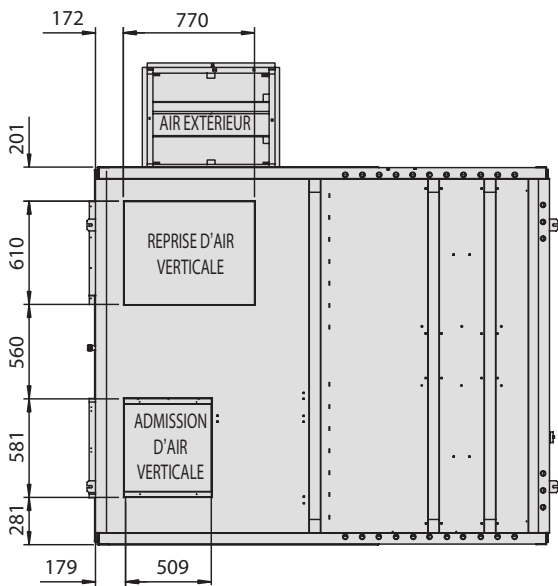
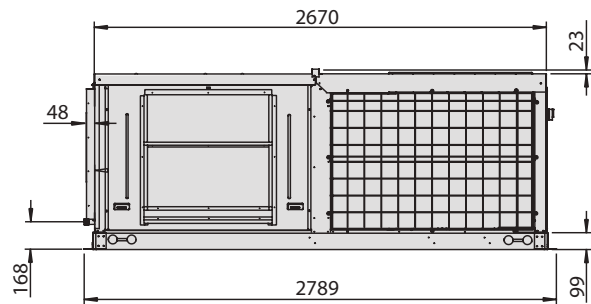
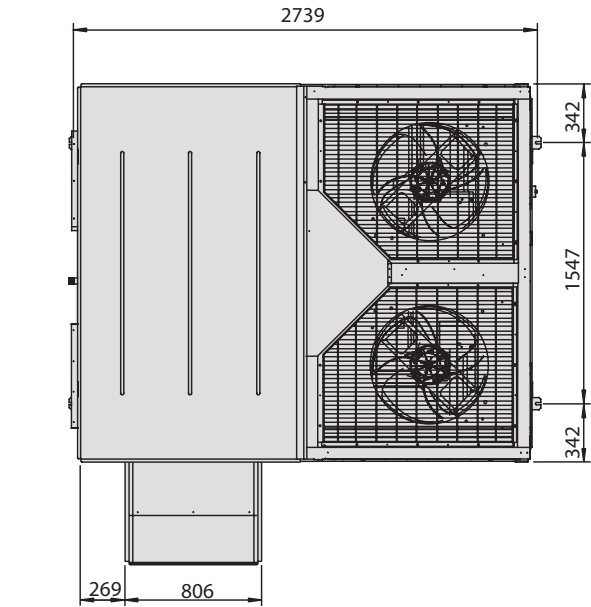
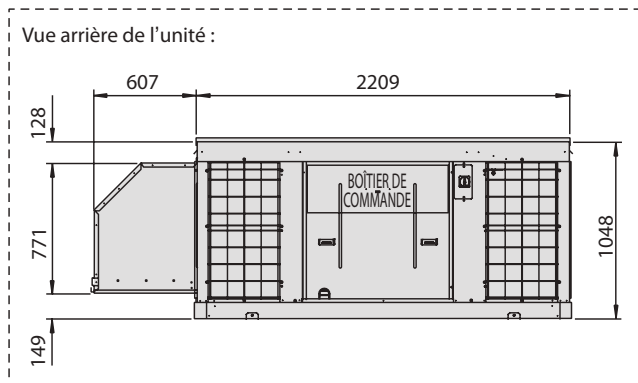
☉ CENTRE DE GRAVITÉ

Modèle : UATYQ550 AVEC ÉCONOMISEUR EN OPTION

Toutes les dimensions sont données en mm



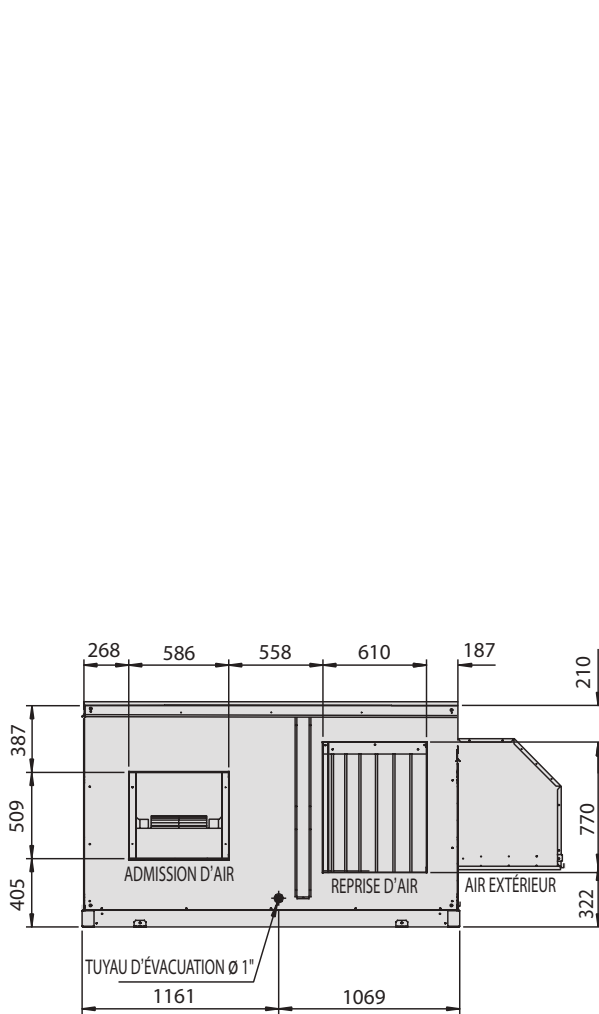
POUR REFOULEMENT HORIZONTAL



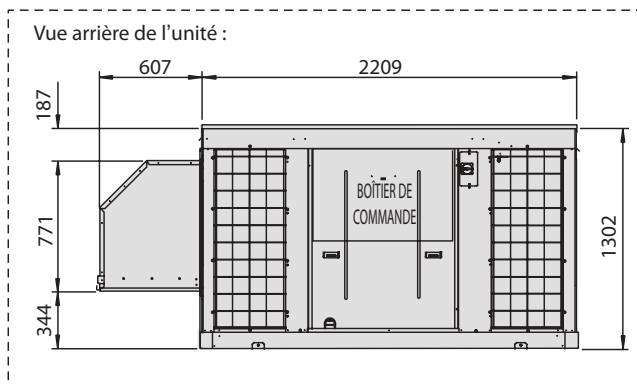
POUR REFOULEMENT VERTICAL

Modèle : UATYQ600 AVEC ÉCONOMISEUR EN OPTION

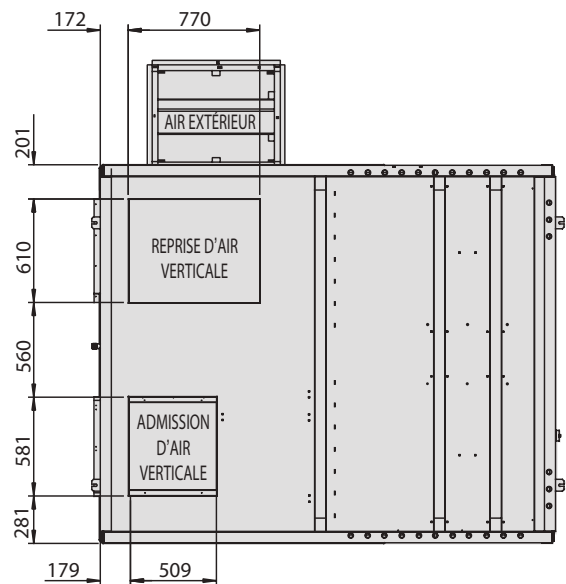
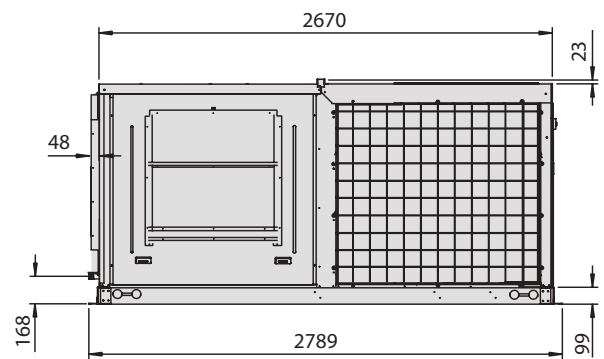
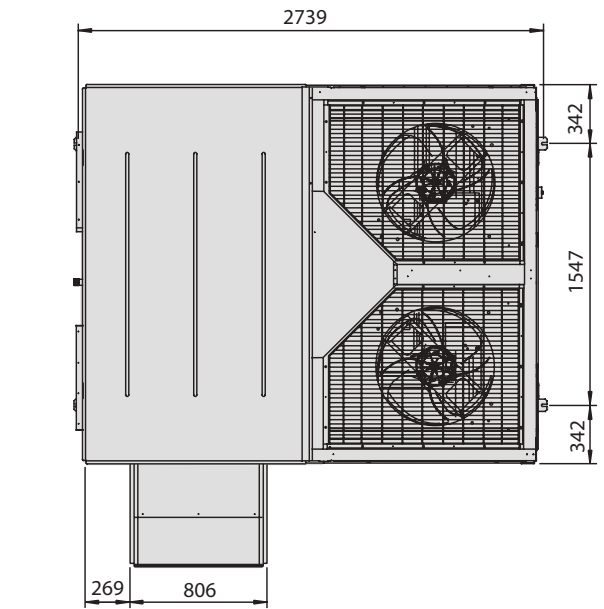
Toutes les dimensions sont données en mm



POUR REFOULEMENT HORIZONTAL



Vue arrière de l'unité :

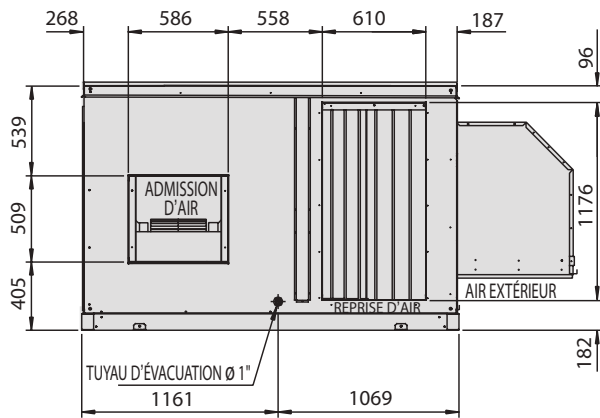
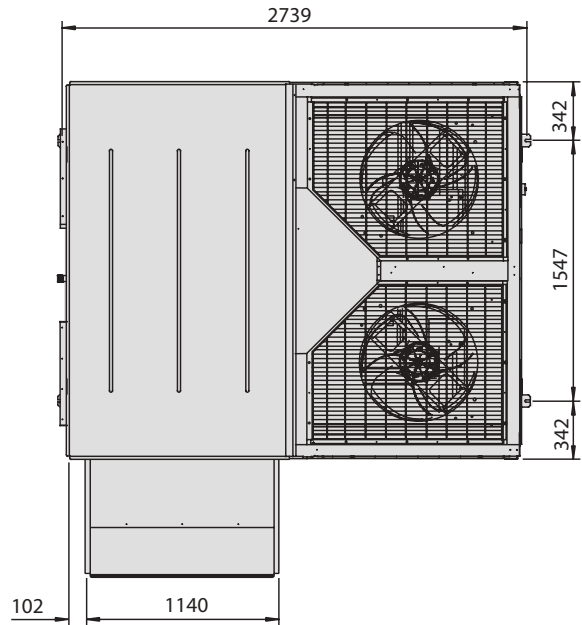


POUR REFOULEMENT VERTICAL

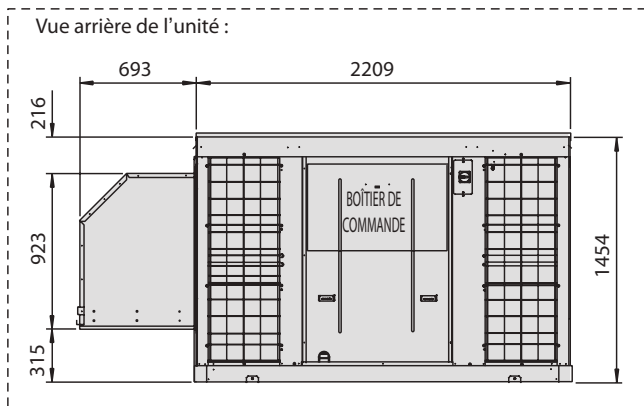
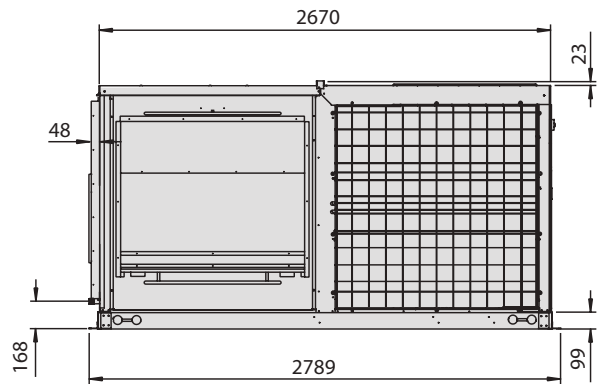
FRANÇAIS

Modèle : UATYQ700 AVEC ÉCONOMISEUR EN OPTION

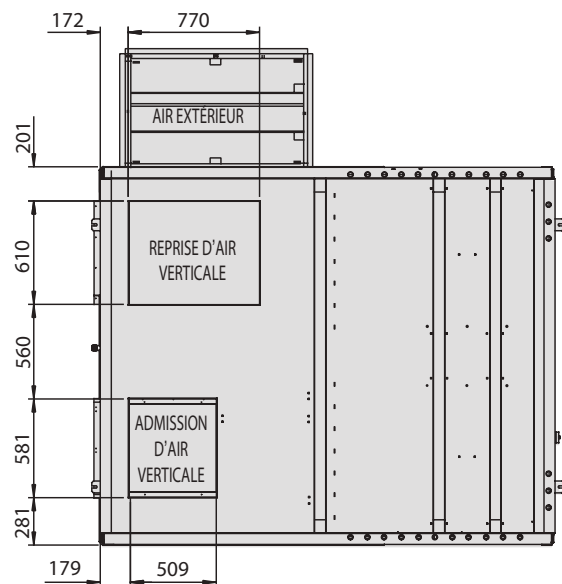
Toutes les dimensions sont données en mm



POUR REFOULEMENT HORIZONTAL

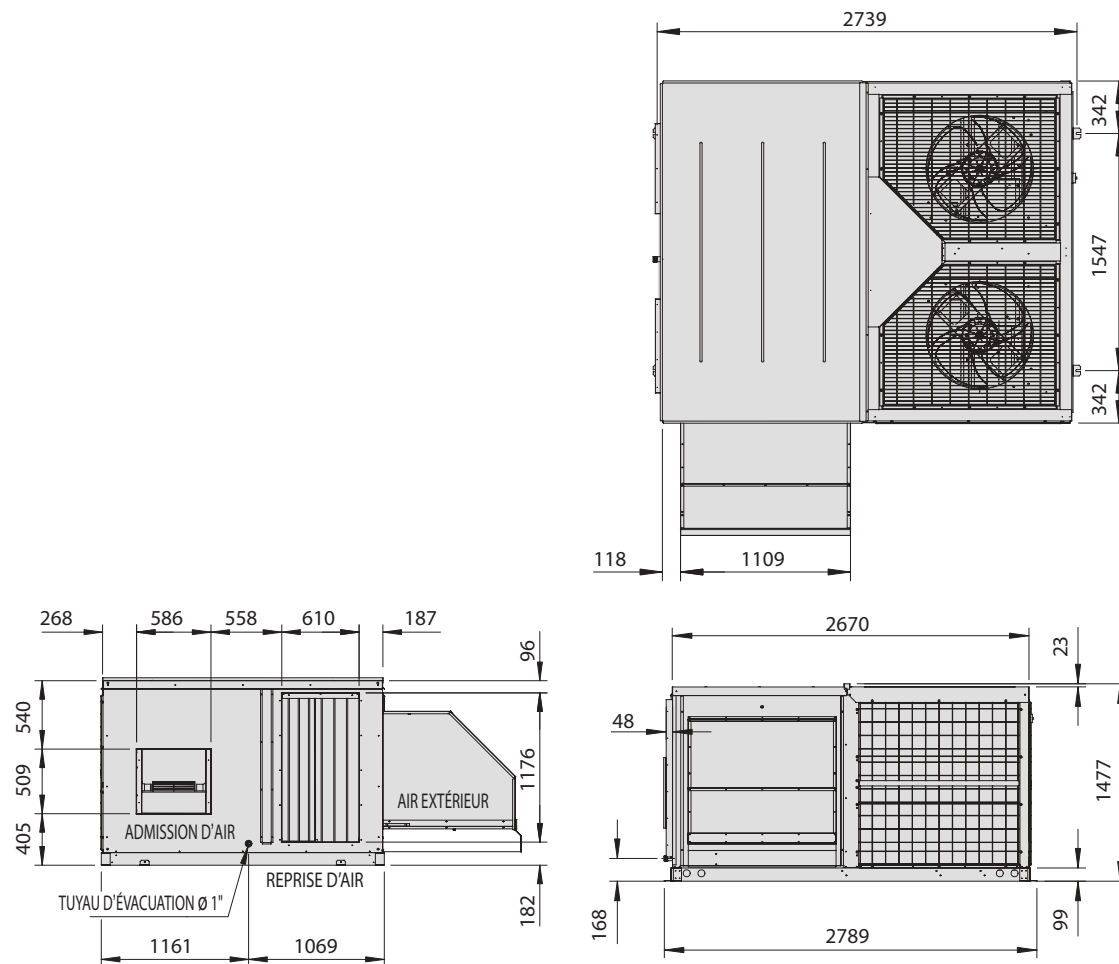


Vue arrière de l'unité :

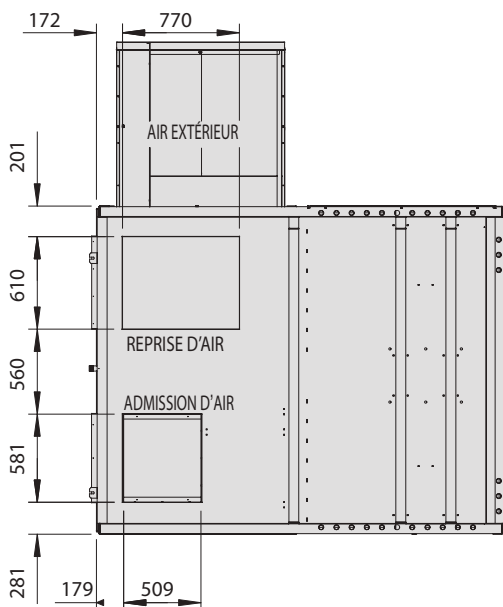
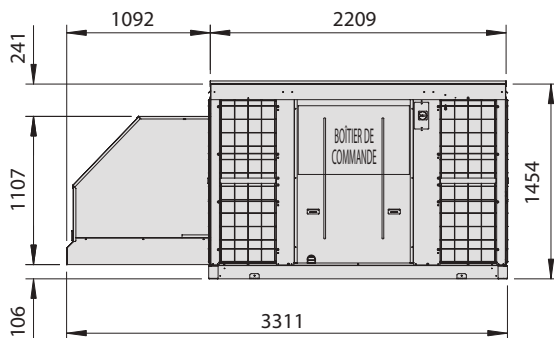


POUR REFOULEMENT VERTICAL

Toutes les dimensions sont données en mm



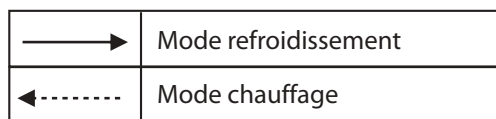
POUR REFOULEMENT HORIZONTAL



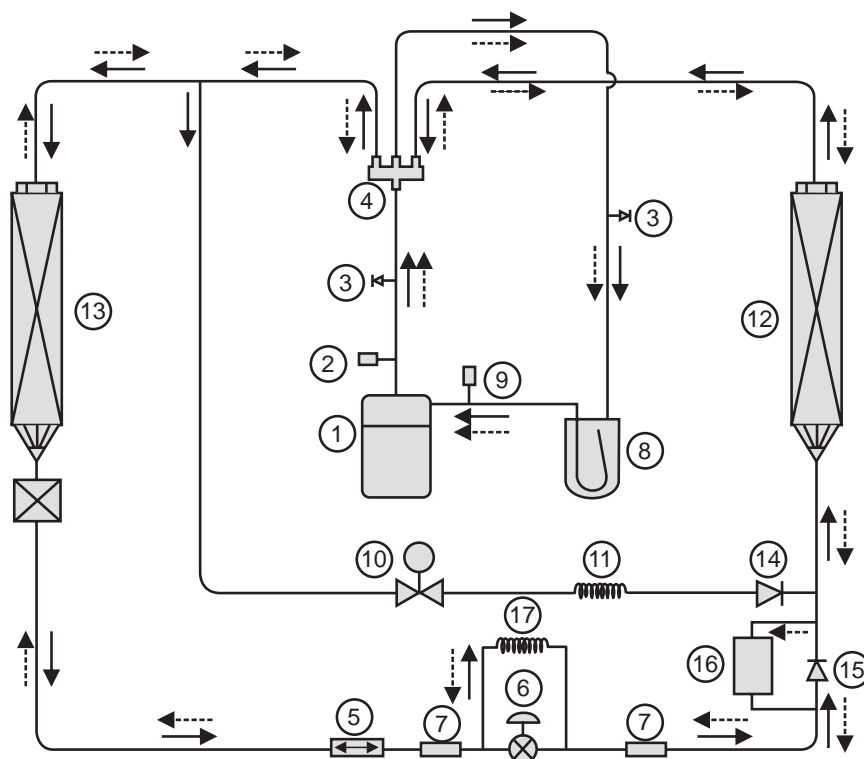
POUR REFOULEMENT VERTICAL

SCHÉMA DU CIRCUIT RÉFRIGÉRANT

Modèle : UATYQ 250, 350, 450, 550, 600, 700 & 900



N°	Description élément
①	Compresseur
②	Commutateur de haute pression
③	Vanne d'accès
④	Robinet à 4 voies
⑤	Filtre déshydrateur
⑥	Détendeur électronique
⑦	Épurateur
⑧	Accumulateur
⑨	Commutateur de basse pression
⑩	Électrovanne
⑪	Tube capillaire de dérivation
⑫	Moteur du ventilateur (Intérieur)
⑬	Échangeur thermique extérieur
⑭	Clapet de non-retour 1
⑮	Clapet de non-retour 2
⑯	Compensateur
⑰	Tube capillaire



- Remarque :**
- (a) Le système de l'UATYQ350, 450, 550, 600, 700 & 900 est composé de 2 circuits.
 - (b) Les éléments n°15 et 16 sont valables pour le modèle UATYQ350 uniquement.
 - (c) Les éléments n°17 sont valables pour le modèle UATYQ700 & UATYQ900 uniquement.

MANUEL D'INSTALLATION

Ce manuel fournit les procédures d'installation pour assurer le bon fonctionnement et la sécurité de cet appareil.

Des ajustements peuvent être nécessaires pour suivre les réglementations locales.

Avant d'installer et de faire fonctionner le climatiseur, lisez attentivement ce manuel et conservez-le.

Cet appareil est destiné à être utilisé par des utilisateurs experts ou formés dans les magasins, dans l'industrie légère ou dans les fermes, ou pour un usage commercial par des personnes non spécialisées.

Cet appareil n'est pas destiné à être utilisé par des personnes, y compris les enfants, souffrant de capacités physiques, sensorielles ou mentales réduites, ou accusant un manque d'expérience et de connaissances, sauf si elles sont supervisées ou ont reçu des instructions concernant l'emploi de cet appareil d'une personne responsable de leur sécurité.

Les enfants doivent être supervisés pour s'assurer qu'ils ne jouent pas avec l'appareil.

PRÉCAUTIONS DE SÉCURITÉ

IMPORTANT

Information importante relative au réfrigérant utilisé

Ce produit contient des gaz fluorés. Ne pas laisser les gaz s'échapper dans l'atmosphère.

Type de réfrigérant :
R410A

Valeur GWP ⁽¹⁾ :
2087,5

⁽¹⁾ GWP =
potentiel de réchauffement global

La quantité de réfrigérant est indiquée sur la plaque signalétique de l'unité. Des inspections périodiques de fuites de réfrigérant peuvent être exigées en fonction de la législation européenne ou locale. Veuillez contacter votre distributeur local pour plus d'informations.

REMARQUE

En Europe, les **émissions de gaz à effet de serre** de la charge de réfrigérant totale dans le système (exprimées en tonnes d'équivalent de CO₂-équivalent) sont utilisées pour déterminer les intervalles de maintenance. Suivez la législation applicable.

Formule pour calculer les émissions de gaz à effet de serre:

la valeur GWP du réfrigérant x la charge de réfrigérant totale [en kg] / 1000



ATTENTION

- L'installation et la maintenance doivent être exécutées par une personne qualifiée qui est familiarisée avec les lois et réglementations en vigueur, et aussi expérimentée dans ce type d'équipements.
- Tous les câblages doivent répondre aux réglementations électriques nationales.
- Avant de commencer le raccordement suivant le schéma électrique, s'assurer que la tension nominale de l'appareil correspond bien à celle indiquée sur la plaque signalétique.
- L'unité doit être raccordée à la TERRE pour prévenir tous les risques possibles dues à un défaut d'isolation.
- Les fils électriques ne doivent en aucun cas être en contact avec les tuyaux de réfrigérant ou les parties mobiles des moteurs du ventilateur.
- Avant l'installation ou l'entretien du climatiseur, s'assurer que l'appareil est éteint (OFF).
- Débrancher l'appareil du circuit d'alimentation secteur avant de procéder à l'entretien du climatiseur.
- NE PAS retirer le câble d'alimentation électrique de la prise quand l'appareil est sous branché. Il peut en résulter des décharges électriques importantes susceptibles de provoquer un incendie.
- Les unités du climatiseur, le câble d'alimentation et le câblage de transmission doivent être éloignés d'au moins 1 m des téléviseurs et radios, ce afin d'éviter les interférences et les parasites. (En fonction du type et de la source des ondes électriques, des parasites peuvent être entendus même avec une distance supérieure à 1 m).
- L'équipement n'est pas destiné à être utilisé dans une atmosphère potentiellement explosive.



AVERTISSEMENT

Vérifier les points suivants au cours de l'installation.

■ **Ne pas installer l'appareil où il peut se produire des fuites de gaz inflammable.**



En cas de fuite et accumulation de gaz autour de l'appareil, il y a risque d'incendie.

■ **S'assurer que le tuyau d'évacuation du condensat est correctement branché.**



Si le tuyau d'eau n'est pas correctement branché cela peut provoquer des fuites d'eau.

■ **Ne pas surcharger l'unité (en fluide frigorigène).**



Cet appareil est préchargé en usine.

Une charge trop importante risque de provoquer une surcharge électrique ou d'endommager le compresseur.

■ **S'assurer que le panneau supérieur de l'appareil est remis en place après l'installation ou l'entretien.**



Avec un panneau mal fixé l'appareil va fonctionner bruyamment.

■ **Les bords coupants et les surfaces du refroidisseur tuulaire présentent un risque de blessure.**

Mieux vaut éviter le contact avec ces endroits.

■ **Avant de couper l'alimentation électrique, veiller à ce que l'interrupteur ON/OFF de la télécommande soit en position « OFF » afin d'éviter une mise en marche intempestive de l'appareil.** Si l'interrupteur de la télécommande n'est pas en position « OFF », les ventilateurs de l'appareil se mettront en marche dès que l'alimentation électrique est rétablie. Il peut en résulter un danger pour le personnel d'entretien ou l'utilisateur.

■ **Ne pas utiliser d'appareil de chauffage trop près du climatiseur.**

■ **N'utilisez pas de câbles et torsades pour l'alimentation électrique entrante.**

Instructions relatives à la mise au rebut :

Le démontage de l'appareil et le traitement du réfrigérant, de l'huile et d'autres composants doivent être effectués en accord avec les réglementations en vigueur.

INSTALLATION DE L'UNITÉ

A Emplacement des unités

- Installer l'unité de telle manière que l'air chaud dégagé ne puisse être repris par un autre appareil (interférence d'air chaud). Prévoir un espace suffisant autour de l'appareil pour faciliter l'entretien.
- Quand on installe deux unités ou plus dans un même endroit, elles doivent être positionnées de manière à ce qu'une unité ne prenne pas l'air extrait d'une autre.
- S'assurer qu'il n'y a pas d'obstruction sur le passage de l'air aspiré et refoulé de l'appareil. Retirer tout obstacle qui pourrait bloquer la reprise ou le refoulement d'air.
- L'emplacement doit être bien ventilé de manière à ce que l'appareil distribue la totalité de l'air à un niveau de température plus bas.
- Recommandations concernant le lieu d'installation de l'unité :-
 - L'emplacement doit pouvoir supporter le poids de l'unité et isoler le bruit et les vibrations.
 - L'évacuation doit être adéquate.
 - L'unité ne doit pas pouvoir être ensevelie par la neige.
 - un endroit où les ports d'entrée et de sortie ne doivent pas être soumis à des vents violents.
 - Le bruit de l'air et du fonctionnement de l'appareil ne doit pas gêner les voisins.
 - Le public ne doit pas pouvoir accéder à l'unité.

Remarque

- Pour installer l'appareil avec l'ensemble de l'économiseur, suivez les recommandations données dans la partie B) iii) du chapitre « ACCESSOIRE EN OPTION » contenue dans ce manuel.



AVERTISSEMENT

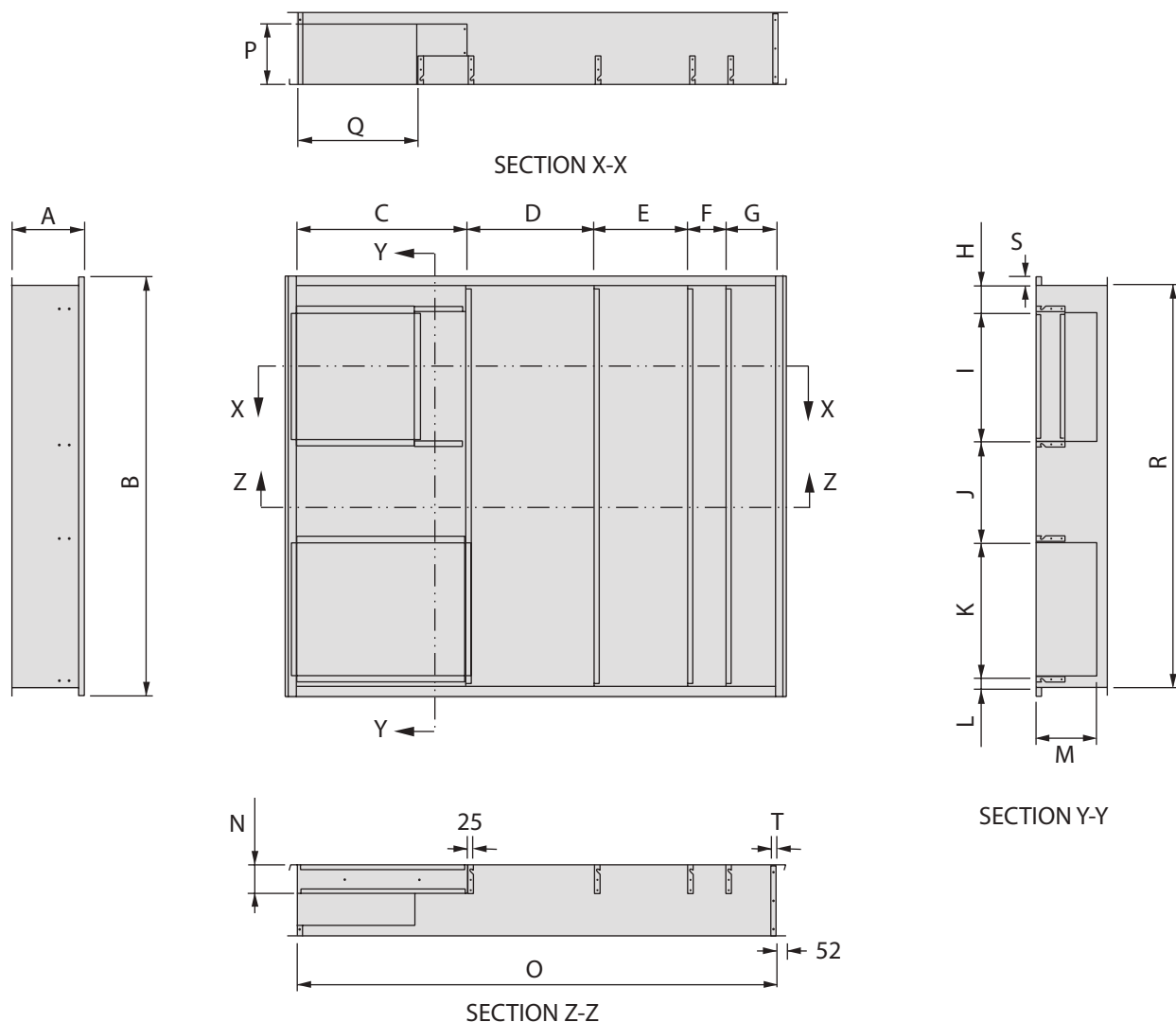
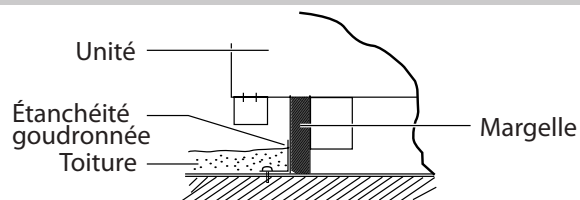
Ne pas installer l'appareil à plus de 2 000 m d'altitude.

B Construction du conduit

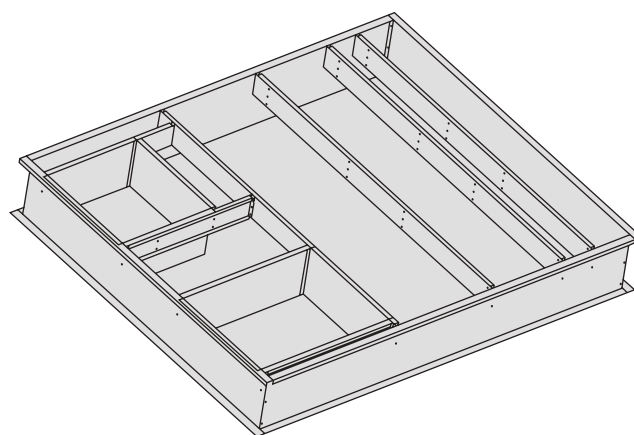
- Les unités sont équipées d'orifices d'admission et de reprise d'air. Le raccordement du conduit à l'unité doit être réalisé avec les brides de conduit et directement fixé aux orifices d'aération avec des connecteurs de conduits flexibles afin d'éviter une transmission de bruit anormale.
- Pour éviter toute fuite d'air, tous les raccords de conduits doivent être soudés.
- Les conduits installés dans des espaces non climatisés doivent être isolés.
- Les conduits exposés à l'extérieur doivent être rendus étanches.
- Pour les conduits pénétrant dans le bâtiment par le toit, l'entrée doit être rendue étanche grâce à de la bande d'étanchéité afin d'éviter que la pluie, le sable, la poussière, etc... ne pénètrent dans le bâtiment.
- Un filtre de taille adaptée doit être installé sur le conduit de reprise d'air.

C Support de l'unité (Pour unité à flux descendant seulement)

- Le schéma montre comment utiliser la margelle du toit pour le montage de ces unités.
- La margelle doit être scellée et fixée sur le toit grâce à de la bande d'étanchéité. Ci-contre, voici une suggestion pour sceller l'unité et la margelle.
- Les dimensions de margelle recommandée sont indiquées ci-dessous.



Modèle (UATYQ)	250	350/450	550/600/700/900
A	355	355	355
B	1506	2081	2081
C	840	700	840
D	315	410	625
E	315	410	462
F	0	0	190
G	314	287	248
H	0	131	131
I	607	600	646
J	322	544	495
K	540	682	676
L	0	42	51
M	300	300	300
N	141	141	141
O	1784	1807	2365
P	300	300	300
Q	481	477	590
R	1469	1998	1998
S	20	41,5	41,5
T	20	41,5	41,5



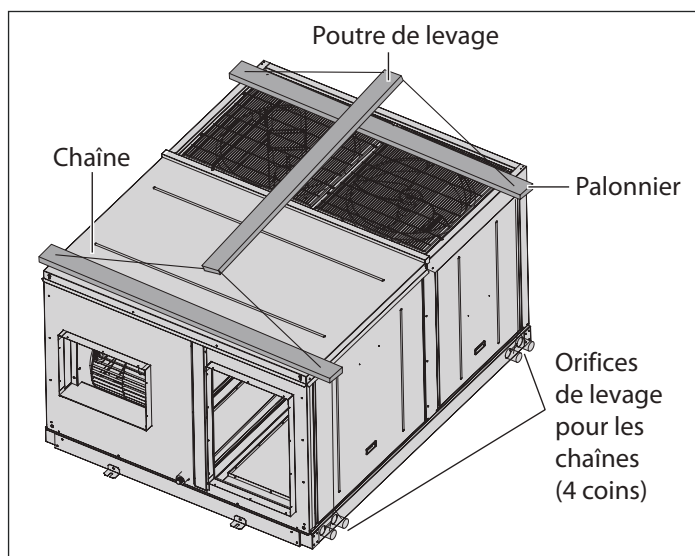
Remarque : Toutes les dimensions sont données en mm

D Levage de l'unité

- Les orifices situés aux 4 coins de la base de l'unité sont utilisés pour lever cette dernière.
- Le palonnier doit être légèrement plus large que l'unité.
- Une isolation doit être ajoutée aux 4 coins de la chaîne afin d'éviter tout dommage du panneau pendant le levage.

Remarque

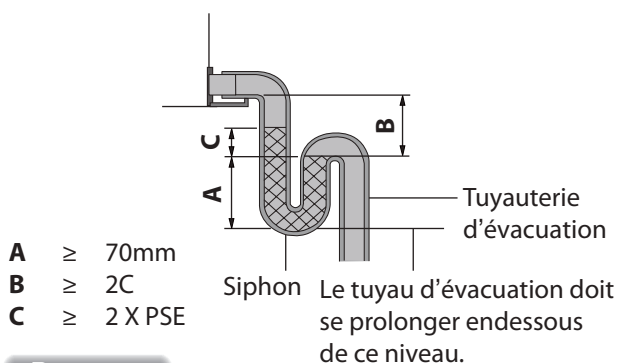
- L'unité illustrée dans le schéma est l'UATYQ250.
- La méthode de levage est la même pour les autres unités.



E Tuyauterie d'évacuation

- A 1" Un raccord d'évacuation des condensats à filetage gaz 1po est fourni. Le tuyau d'évacuation peut être dirigé sur la face avant.
- Le tuyau d'évacuation doit être fourni avec un siphon sur l'extérieur de l'unité et doit également respecter une inclinaison permettant une bonne évacuation, comme indiqué sur la droite.
- Pour éviter la formation de condensats et les fuites, isoler le tuyau d'évacuation afin d'éviter tout suintement.
- Après avoir terminé l'installation de la tuyauterie, contrôler l'absence de fuites et la bonne évacuation de l'eau.

La tuyauterie d'évacuation doit comporter un siphon.



Remarque

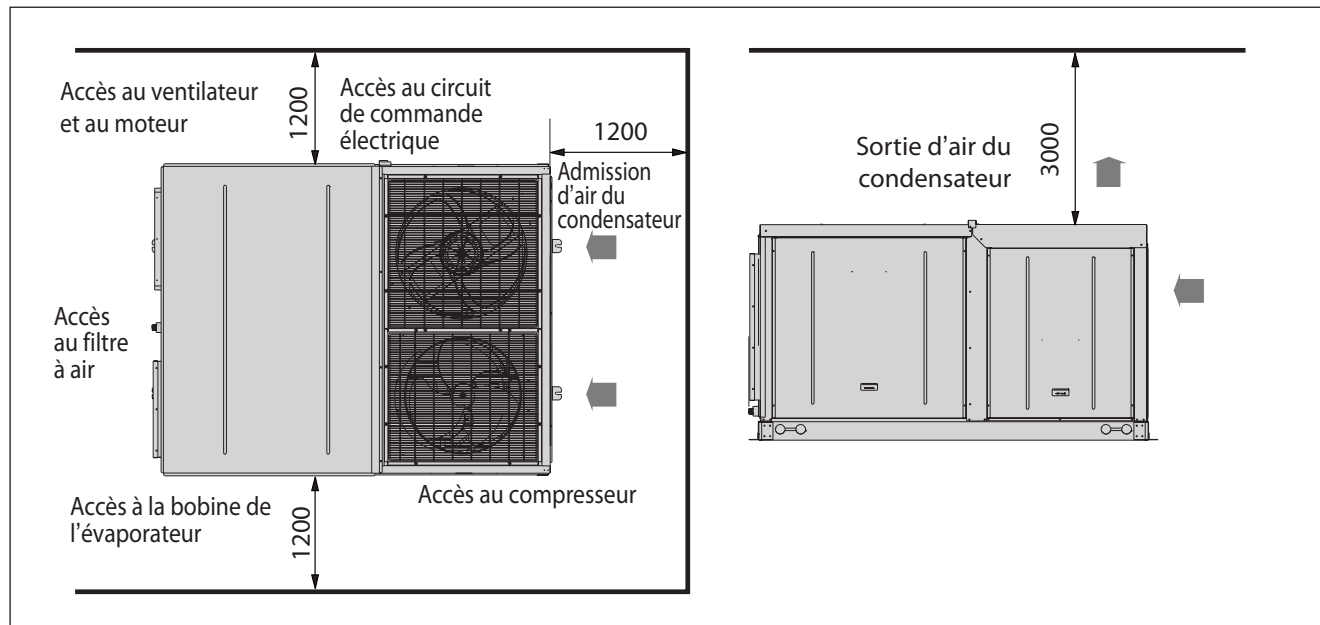
- PSE = Pression statique externe

Siphon pour les condensats

F Espace requis autour de l'unité

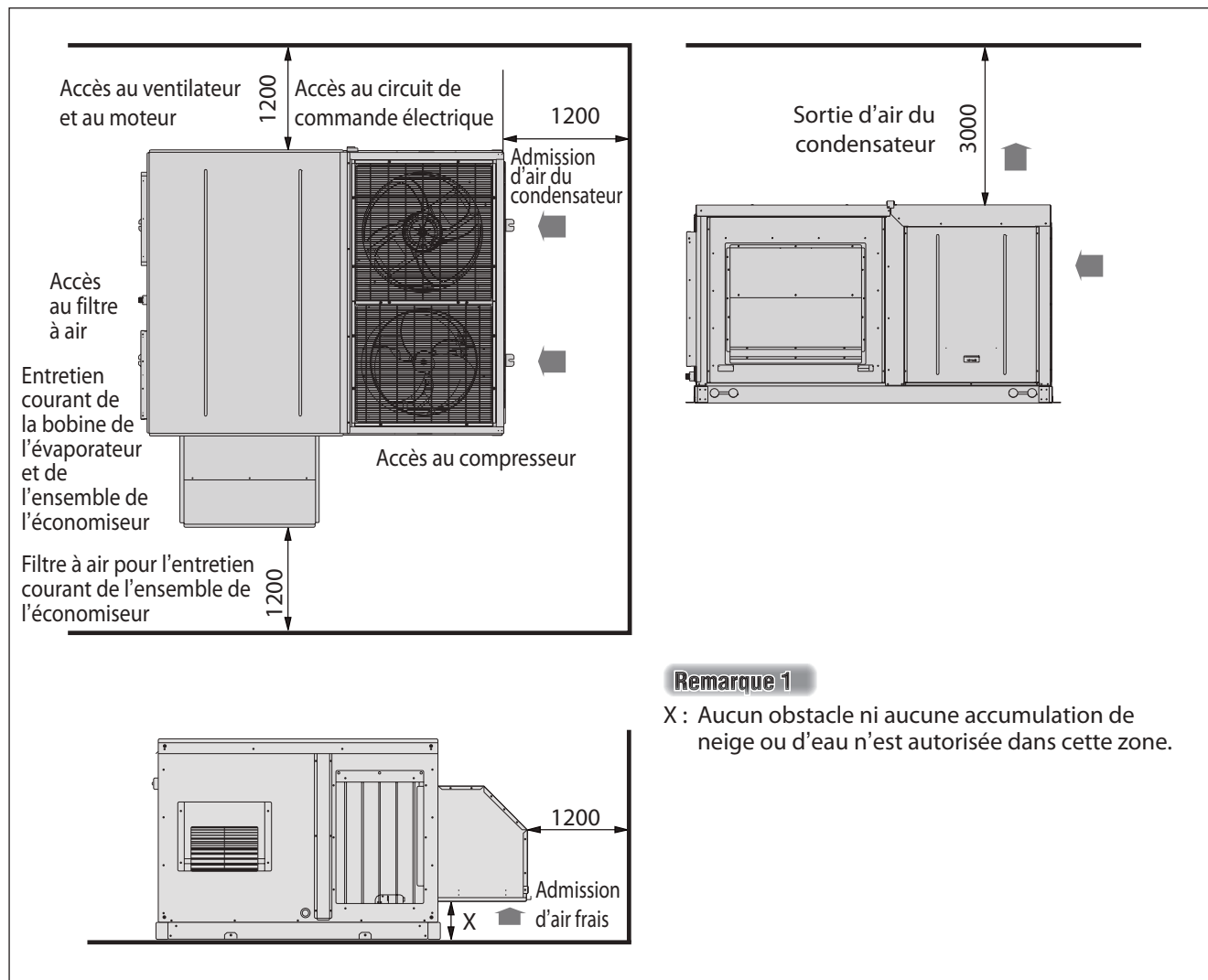
Se référer au schéma ci-dessous pour connaître l'espace requis autour de l'unité. Remarques :-

- Toutes les dimensions sont données en mm
- Tous les chiffres donnés représentent le **dégagement minimal** requis pour l'unité.
- L'unité illustrée dans le schéma est l'UATYQ250. Le dégagement est le même pour les autres modèles.



FRANÇAIS

Un espace supplémentaire est requis lors de l'installation de l'ensemble de l'économiseur. Lorsque l'unité est équipée d'un ensemble d'économiseur, l'espace requis autour de l'unité avec l'ensemble de l'économiseur doit systématiquement suivre le schéma ci-dessous :-



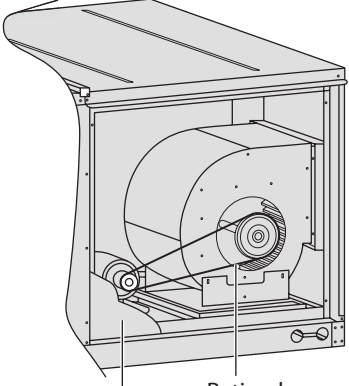
Remarque 1

X : Aucun obstacle ni aucune accumulation de neige ou d'eau n'est autorisée dans cette zone.

G Conversion des unités

En cas de conversion d'une unité standard en unité à flux descendant, suivez les étapes ci-dessous :
UATYQ250, 350, 450, 550, 600, 700 & 900

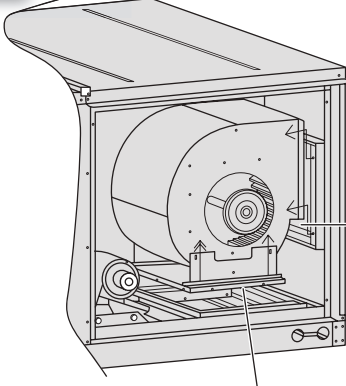
1



Retirer le panneau latéral

Retirer la courroie

2



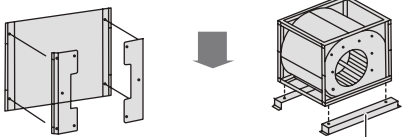
Retirer les vis de chaque côté

Déposer le ventilateur

Déposer le support du ventilateur

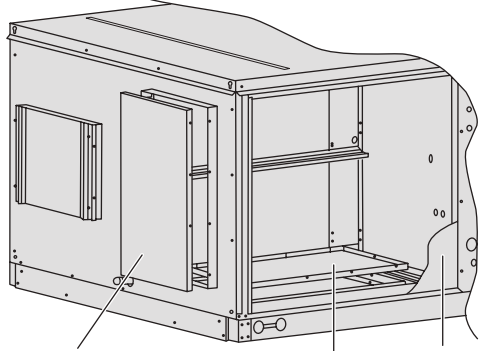
Pour UATYQ250 :
 Les deux plaques latérales sont vissées sur le support du ventilateur, comme indiqué

Pour UATYQ250, 350, 450, 550, 600, 700 & 900



Les deux structures de flux descendant sont vissées au ventilateur

4



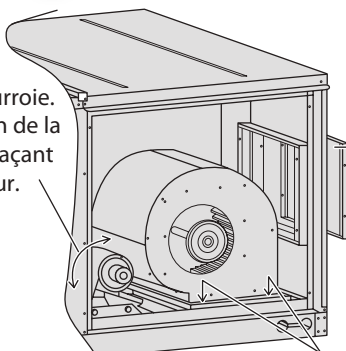
Couvrir l'orifice de reprise horizontal avec le couvercle et serrer fermement. Se référer à la Remarque 2.

Retirer le panneau latéral côté reprise

Dévisser le couvercle de reprise vertical du panneau de base

Enfin, réinstaller le panneau latéral.

3



Réinstaller la courroie. Ajuster la tension de la courroie en déplaçant la base du moteur.

Couvrir l'orifice d'admission horizontal avec le support du ventilateur séparé du ventilateur et visser fermement. Se référer à la Remarque 2.

Orienter l'avant du ventilateur vers le bas. Visser de chaque côté.

Réinstaller la courroie. Ajuster la tension de la courroie. Enfin, réinstaller le panneau latéral. Se référer à la Remarque 1.

Remarque 1

Pour une conversion en flux descendant, la longueur de la courroie doit être modifiée.

Pour une unité à poulie standard, la longueur de la courroie = a mm
 Distance d'arbre à arbre pour flux descendant, C-C = b mm

	UATYQ250	UATYQ350	UATYQ450	UATYQ550	UATYQ600	UATYQ700	UATYQ900
a	1432	1457	1382	1500	1500	1500	1500
b	425	430	345	420	420	440	445

Remarque 2

Un dispositif d'étanchéité comme un joint (fourniture sur site) doit être placé entre le couvercle métallique et la bride. En outre, un silicone résistant aux intempéries doit être appliqué sur tous les joints, les orifices de vis et les espaces pour assurer une condition étanche à l'eau.

Remarque 3

Référez-vous au recueil des données d'ingénierie pour la courbe du ventilateur et les données techniques de la poulie extensible.

CARACTÉRISTIQUES PHYSIQUES

Pompe à chaleur (R410A)

Modèle		UATYQ250	UATYQ350	UATYQ450	UATYQ550	UATYQ600	UATYQ700	UATYQ900
Réfrigérant		R410A						
Charge de frigorigène	kg	6,1	5,8/5,8	7,2/7,2	8,7/8,7	10,4/10,4	11,6/11,6	11,6/11,6
Débit d'air de l'évaporateur	CFM	3300	4300	5650	6700	7300	8300	9600
	L/S	1557	2029	2667	3162	3445	3917	4531
Pression statique externe	mmAq	15			21			
	Pa	147			206			
Débit d'air du condensateur	CFM	8230	6000/6000	6050/6050	6450/6450	10100/10100	10600/10600	10600/10600
	L/S	3884	2831/2831	2855/2855	3044/3044	4767/4767	5003/5003	5003/5003
Commande		Télécommande filaire de l'unité en toiture						
Longueur du câble de commande (Standard/Max) : Taille	m : mm ²	15 / 100 : 3						
Compresseur (Type/Quantité)		Scroll/1	Scroll/2	Scroll/2	Scroll/2	Scroll/2	Scroll/2	Scroll/2
Filtre à air (Type/Quantité)		Saranet lavable/2						
Dimensions du filtre à air (Longueur x Largeur x Épaisseur)	mm	880 x 467 x 4	1126 x 385 x 4	1126 x 435 x 4	1497 x 392 x 4	1497 x 495 x 4	1497 x 595 x 4	1497 x 595 x 4

FRANÇAIS

CARACTÉRISTIQUES ÉLECTRIQUES

Pompe à chaleur (R410A)

Modèle		UATYQ250	UATYQ350	UATYQ450	UATYQ550	UATYQ600	UATYQ700	UATYQ900
Alimentation électrique	V/Ph/Hz	380-415/3N~/50						
Courant continu maxi (Comp)	A	26	17/17	19/19	26/26	28/28	29/29	40,0/40,0
Intensité de pleine charge (FLA, Comp)	A	21	12/12	15/15	21/21	22/22	25/25	34,0/34,0
Intensité à rotor bloqué (LRA, Comp)	A	111	74/74	101/101	111/111	118/118	118/118	174,0/174,0

L'équipement est conforme aux exigences de la norme EN 61000-3-11 et est soumis aux conditions de raccordement du secteur. Il peut être raccordé en collaboration avec le fournisseur d'électricité. L'équipement peut être uniquement raccordé à une alimentation secteur ayant une impédance système inférieure à la valeur indiquée dans le tableau ci-dessous. L'impédance système dans le point d'interface peut être obtenue auprès du fournisseur d'électricité.

Modèle	Impédance maximale (Z_{max}), ohm
UATYQ250	0,22
UATYQ350	0,23
UATYQ450	0,21
UATYQ550	0,21
UATYQ600	0,21
UATYQ700	0,21
UATYQ900	0,20

Si l'impédance système de l'alimentation secteur est plus élevée, il se peut que de brèves chutes de tension apparaissent au démarrage ou pendant le fonctionnement de l'équipement. Ceci peut influencer ou perturber le fonctionnement d'autres appareils, par exemple faire vaciller les éclairages, en particulier les appareils raccordés au même circuit d'alimentation secteur.

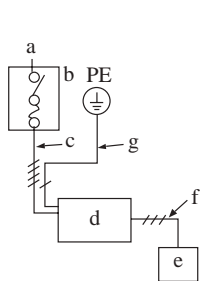
RACCORDEMENT ÉLECTRIQUE

- Tous les travaux électriques doivent être effectués par un électricien qualifié et conformément aux exigences d'alimentation locales et autres réglementations associées.

Méthode de connexion de fil électrique

Avant de brancher le câble, consulter la compagnie d'électricité de la juridiction.

1. Le schéma de câblage de l'unité entière



a	Alimentation électrique
b	Commutateur/ fusible principal (alimentation du site)
c	Câblage de l'alimentation électrique pour l'unité
d	Unité
e	Télécommande
f	Câblage de raccordement pour l'unité et la télécommande
g	Terre

2. Raccordement électrique à l'unité

Passer les câbles d'alimentation électrique et le câble de commande à travers les trous pré-perçés ou les trous de câbles de l'unité. Retirer les panneaux de service et raccorder les câbles d'alimentation électrique au bornier situé à l'intérieur du boîtier de commande, comme indiqué.

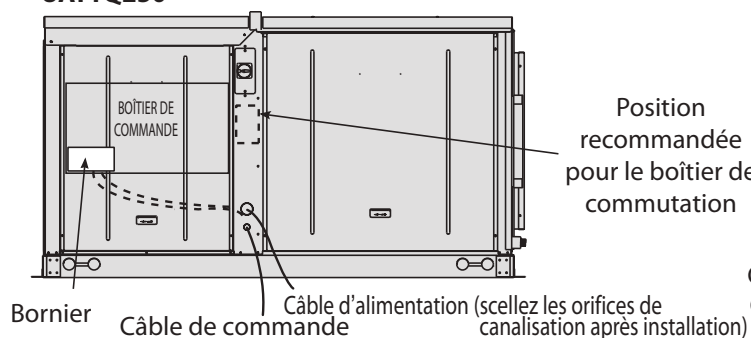
Utiliser les attache-câbles à ouverture par pression qui sont situés à la base de la boîte de commande pour soutenir correctement les câbles d'alimentation électrique.

Remarque

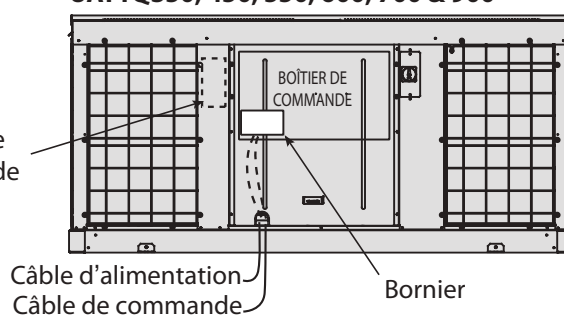
En installant le disjoncteur sur l'unité, s'assurer que les vis n'endommagent pas les composants (tels que la bobine) à l'intérieur de l'unité. Le boîtier de commutation peut également être installé sans fixer l'unité.

Les trous pré-perçés qui ne sont disponibles que dans l'UATYQ250; l'UATYQ350, l'UATYQ450, l'UATYQ550, l'UATYQ600, l'UATYQ700 et l'UATYQ900 disposent d'un orifice de câble d'alimentation.

UATYQ250



UATYQ350, 450, 550, 600, 700 & 900



Exemple de câblage et sélection du disjoncteur

Modèle	Câble d'alimentation (mm ²)	Capacité du disjoncteur (A)	Commutateur de protection contre les surcharges (A)	Câble de mise à la terre (mm ²)
UATYQ250	4	32	32	4
UATYQ350	6	40	40	6
UATYQ450	10	40	40	10
UATYQ550	10	50	50	10
UATYQ600	16	63	63	16
UATYQ700	25	80	80	25
UATYQ900	35	100	100	35

Remarque

Un commutateur principal ou tout autre moyen de déconnexion, doté d'une séparation de contact dans tous les pôles, doit être incorporé dans le câblage fixe conformément à la réglementation locale et nationale.

- L'unité doit également être câblée directement depuis un tableau de distribution électrique soit via un disjoncteur (recommandé), soit via un fusible HRC.
- Fixer le câblage d'alimentation électrique au module de commande. Passer le câblage de commande à travers l'orifice du boîtier de commande pour le connecter.
- Le câblage de mise à la terre doit être connecté.
- Le cordon d'alimentation doit être de type H07RN-F, ce qui est l'exigence minimale, et être utilisé dans une gaine protectrice.
- Il doit y avoir une déconnexion de tous les pôles de l'alimentation secteur avec une séparation des contacts d'au moins 3 mm.



ATTENTION

- Avant d'intervenir sur cette unité, l'isoler de l'alimentation électrique.
- Le câblage électrique de cette unité et de la télécommande doit être installé conformément aux exigences du code de câblage local.

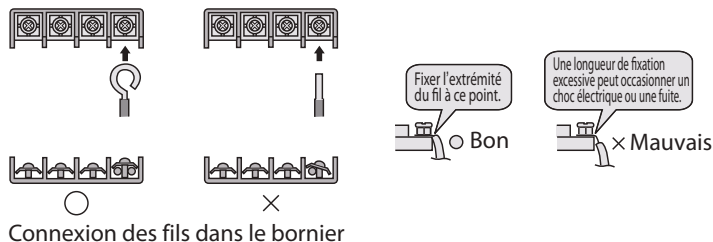
Observer les remarques indiquées ci-dessous pour le câblage du bornier.
Précautions à prendre pour le câblage de l'alimentation électrique.
(Utiliser une borne à sertir ronde pour la connexion au bloc d'alimentation. Si cela n'est vraiment pas possible, veiller à bien respecter les instructions suivantes.)

Borne à sertir
ronde



AVERTISSEMENT

En cas de connexion des câbles de connexion au bornier avec un câble unipolaire, veiller à bien réaliser le bouclage.
Unipolaire, veiller à bien réaliser le bouclage.



- Tirer le fil en s'assurant qu'il ne se déconnecte pas. Fixer ensuite le fil à l'aide d'un arrêt de fil.

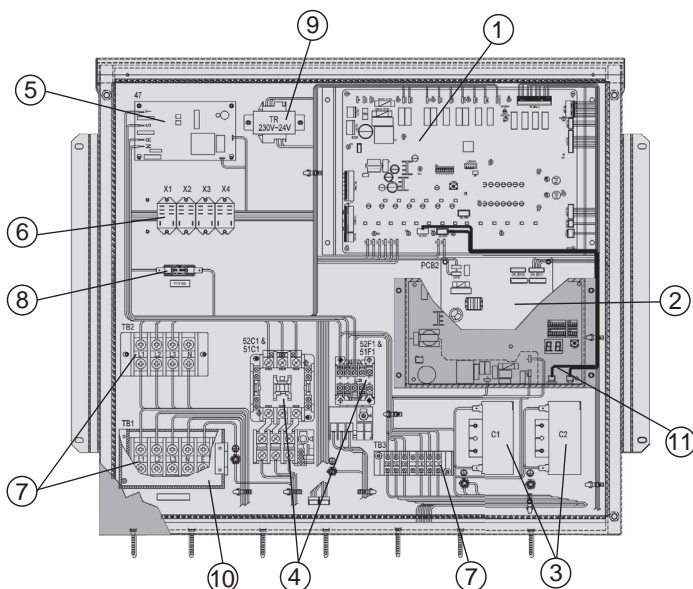


ATTENTION

- Le fil de transmission doit être éloigné d'au moins 50mm du câble d'alimentation.
- Le fil de transmission doit être un fil blindé.

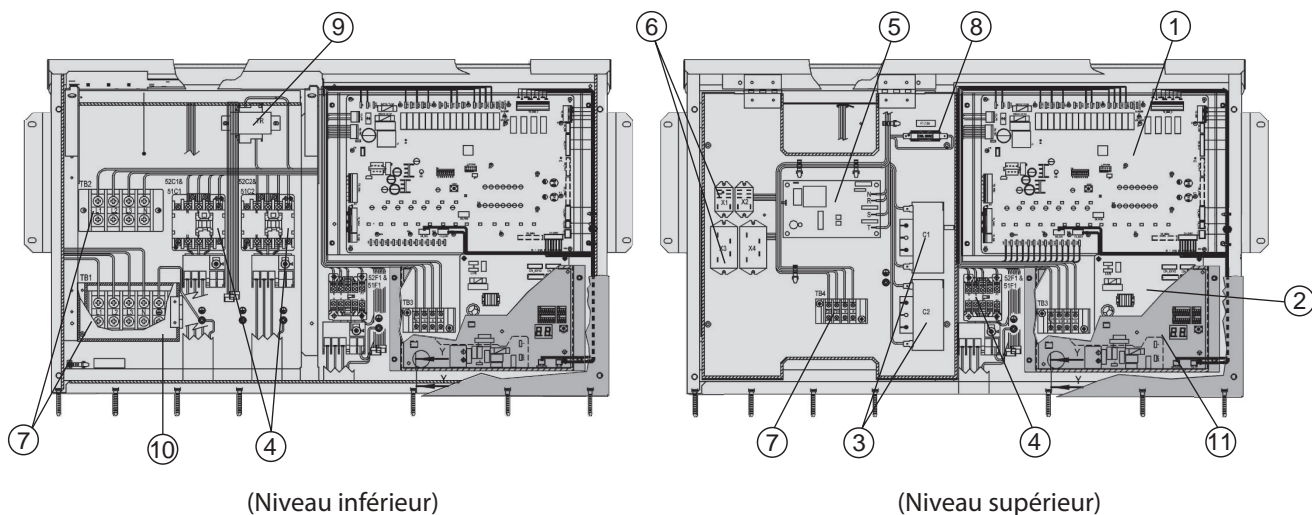
La disposition des borniers et des composants de la commande est indiquée ci-dessous :

A Module de commande UATYQ250



N°	Description élément
①	Tableau principal de commande
②	Tableau de commande EXV
③	Condensateur
④	Contacteur
⑤	Protecteur de phase
⑥	Relais
⑦	Bornier
⑧	Fusible
⑨	Transformateur
⑩	Couvercle du bornier
⑪	Tableau de commande de l'économiseur

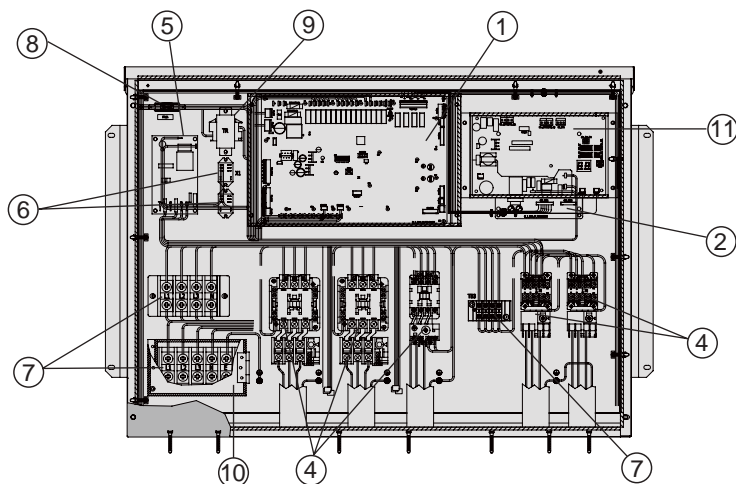
B Module de commande UATYQ350/450/550



(Niveau inférieur)

(Niveau supérieur)

C Module de commande UATYQ600/700/900



ATTENTION

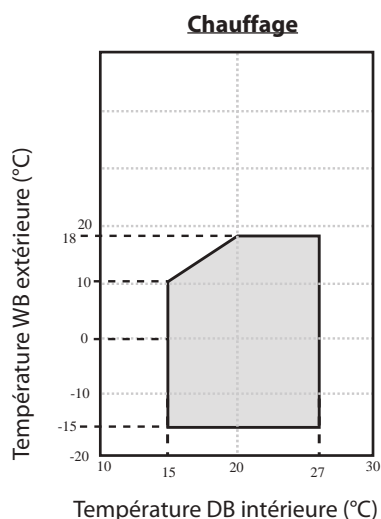
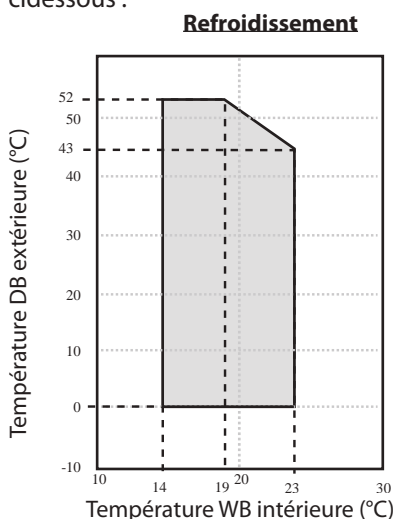
À moins que le commutateur d'alimentation principal est éteint, le bornier (TB1) restera en direct lorsque l'isolateur est éteint.

Remarque

L'élément 11 (tableau de commande de l'économiseur) sera utilisé en conjonction avec l'ensemble de l'économiseur qui est fourni séparément en accessoire.

PLAGE DE FONCTIONNEMENT

S'assurer que la température de fonctionnement se trouve dans la plage admissible, comme indiqué dans le schéma ci-dessous :



AVERTISSEMENT

L'utilisation du climatiseur en-dehors de la plage de température de fonctionnement et d'humidité peut conduire à des pannes graves.

Remarque

Référez-vous à la plage de fonctionnement pour l'unité avec une option d'économiseur dans la partie (D) (vi) du chapitre « ACCESSOIRE EN OPTION ».

DB = Thermomètre sec
WB = Thermomètre mouillé

GUIDE DE FONCTIONNEMENT DES COMMANDES

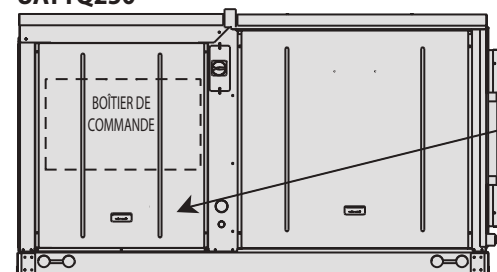
L'unité est équipée d'un tableau principal de commande et une télécommande câblée est raccordée à ce tableau principal de commande.

Tous les réglages de l'unité sont prédéfinis par le fabricant. Il n'est pas conseillé de changer ce réglage sauf dans les cas vraiment nécessaires ou mentionnés ci-dessous.

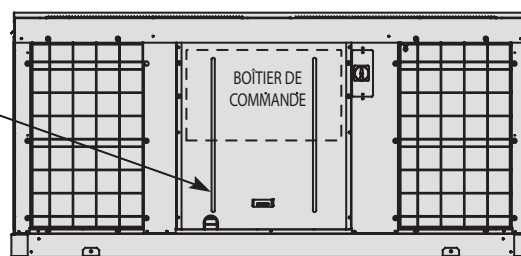
a) Emplacement de la télécommande

La télécommande est située sur un support en métal à l'arrière du panneau de service. Elle est emballée avec le manuel d'installation.

UATYQ250



UATYQ350, 450, 550, 600, 700 & 900



Retirer le panneau

b) Voyant LED (Tableau principal de commande)

Le voyant LED clignote lors de la mise sous tension de l'unité.

c) Écran LCD (Télécommande)

En fonctionnement standard, l'écran LCD affiche le statut de marche/arrêt du compresseur, le mode, la température définie, et ainsi de suite. Consulter le Manuel d'utilisation pour en savoir plus sur le fonctionnement. L'écran LCD affiche l'écran principal à la mise sous tension de l'unité. En cas de dysfonctionnement, un message s'affiche sur l'écran LCD, en clignotant et en émettant un « bip ».

d) Configurations facultatives

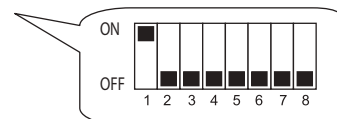
Le tableau principal de commande peut être utilisé comme interface pour la commande du thermostat et le système BMS.

(i) Commande du thermostat (TB_THM-I)

- Pour utiliser cette commande, régler le commutateur Dip : SW1-ON (la valeur par défaut est OFF).
- Suivre la méthode ci-dessous pour choisir les valeurs d'entrée de la commande du thermostat :

G	Y1	Y2	W1	W2	Mode	Fonctionnement
0	0	0	0	0	-	Arrêt unité
1	0	0	0	0	Ventilateur	Marche ventilateur intérieur
X	1	0	X	X	Refroidissement	Compresseur de 1er niveau
X	1	1	X	X	Refroidissement	Compresseur de 2ème niveau
X	0	X	1	0	Pompe à chaleur/Radiateur	Compresseur de 1er niveau
X	0	X	1	1	Pompe à chaleur/Radiateur	Compresseur de 2ème niveau

Remarque : X = Sans objet.



- Le tableau ci-dessous contient des recommandations pour l'installation :

Valeur d'entrée	Tension nominale	Intensité nominale	Taille de fil
G	24V AC	5mA	AWG18~22
Y1			
Y2			
W1			
W2			

Remarque

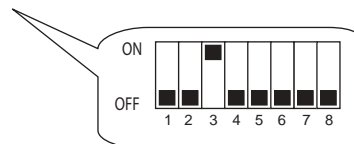
- Lorsque le tableau de commandes principal est configuré en tant que commande de thermostat, la télécommande n'est utilisée que pour surveiller.
- L'unité doit être redémarrée (arrêt et marche) dès qu'un réglage de commutateur dip est modifié.

(ii) Commande BMS (TB_BMS-I)

- Pour utiliser cette commande, régler le commutateur Dip : SW3 - ON (la valeur par défaut est OFF) et le paramètre du panneau G8 à ' 1 ' (valeur par défaut : ' 0 ').

Remarque

- G8 = Type de commande
- 0 = Panneau
- 1 = BMS
- 2 = DEC
- Pour TB_BMS-I, on a 3 valeurs d'entrée de commande : marche/arrêt de l'unité ; mode de fonctionnement(refroidissement-0/chauffage-1) ; et point de consigne (4~20mA).
- Le tableau ci-dessous contient des recommandations pour l'installation :



Valeur d'entrée TB_BMS-I	Tension nominale	Intensité nominale	Taille de fil
Marche/Arrêt	24V AC	5mA	AWG18~22
Mode de fonctionnement	24V AC	5mA	
Point de consigne refroidissement/ chauffage	-	4~20mA	

Remarque

- Lorsque le tableau de commandes principal est configuré en tant que commande BMS, la télécommande n'est utilisée que pour surveiller.
- L'unité doit être redémarrée (arrêt et marche) dès qu'un réglage de commutateur dip est modifié.

(iii) Valeur de sortie de contact sec (TB_BMS-O)

- Pour le TB_BMS-O, il existe quatre valeurs de sortie de surveillance : Alarme erreur; valeur de sortie 1 ; valeur de sortie 2; et signal de dégivrage.
- Le tableau ci-dessous contient des recommandations pour l'installation :

Valeur d'entrée TB_BMS-O	Tension nominale	Intensité nominale (A)	Taille de fil
Valeur de sortie alarme (AL)	230 V CA/125 V CA/30 V CC	1/3/3	AWG18~22
Valeur de sortie 1 (O1)	230 V CA/125 V CA/30 V CC	2/3/3	
Valeur de sortie 2 (O2)	230 V CA/125 V CA/30 V CC	3/3/3	
Signal dégivrage (DFRT)	230 V CA/125 V CA/30 V CC	4/3/3	

- Les signaux de sortie varient en fonction de la configuration du tableau principal de commande, qu'il s'agisse d'une commande de thermostat ou BMS.

(1) Pour la commande de thermostat, les valeurs de sortie sont indiquées dans le tableau ci-dessous.

Valeur d'entrée thermostat (SW1-ON)					ERREUR	DÉGIVRAGE	Valeur de sortie alarme	Valeur de sortie 1	Valeur de sortie 2	Signal dégivrage
G	Y1	Y2	W1	W2			(AL)	(O1)	(O2)	(DFRT)
0	0	0	0	0	X	X	X	0	0	X
1	0	0	0	0	X	X	X	0	1	X
X	1	0	X	X	X	X	X	1	0	X
X	1	1	X	X	X	X	X	1	0	X
X	0	X	1	0	X	X	X	1	1	X
X	0	X	1	1	X	X	X	1	1	X
X	X	X	X	X	1	X	1	X	X	X
X	X	X	X	X	X	1	X	X	X	1

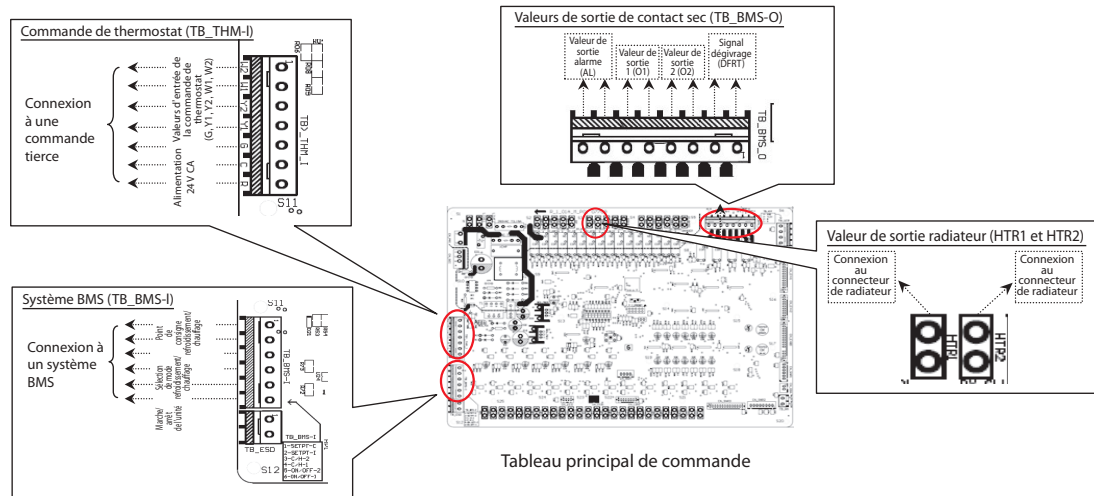
Remarque : X = Sans objet.

(2) Pour la commande BMS, les valeurs de sortie sont indiquées dans le tableau ci-dessous.

Valeur d'entrée BMS (SW3-ON)			ERREUR	DÉGIVRAGE	Valeur de sortie alarme	Valeur de sortie 1	Valeur de sortie 2	Signal dégivrage
MARCHE/ARRÊT	MODE DE FONCTIONNEMENT	REFROIDISSEMENT/CHAUFFAGE POINT DE CONSIGNE			(AL)	(O1)	(O2)	(DFRT)
0	0	X	X	X	X	0	0	X
0	1	X	X	X	X	0	1	X
1	0	X	X	X	X	1	0	X
1	1	X	X	X	X	1	1	X
X	X	X	1	X	1	X	X	X
X	X	X	X	1	X	X	X	1

Remarque : X = Sans objet.

Le schéma ci-dessous montre la position des borniers dans le tableau principal de commande, utilisés pour la commande du thermostat et le système BMS. Les broches de sortie pour le radiateur électrique auxiliaire sont également indiquées en parallèle.



(iv) Valeur de sortie radiateur électrique auxiliaire (HTR1 et HTR2)

- On trouve deux broches de sortie (HTR1 et HTR2) sur le tableau principal de commande, utilisées pour alimenter le contacteur du radiateur. Le contacteur doit être sélectionné en fonction de cela pour éviter tout problème de sécurité.
- Le radiateur doit être installé conformément à la législation locale et nationale. Il doit être conforme à la norme EN60335-2-40.
- Un ou plusieurs fusibles thermiques doivent être installés sur le radiateur afin de supprimer tout danger ou éviter tout endommagement du radiateur/de l'unité. Ceci est particulièrement important en cas de dysfonctionnement du tableau principal de commande ou du ventilateur.
- Le radiateur doit être situé dans un endroit sûr, où l'unité ne court aucun risque de dommages.
- Pour une unité installée avec un radiateur, utiliser un conduit non inflammable.
- Utiliser une alimentation différente pour le radiateur électrique et installer un disjoncteur pour chacun des radiateur.
- La température intérieure maximale de l'unité ne doit pas dépasser 60 °C. La mesure de la température doit se faire au cours de l'installation ou de la mise en service afin de garantir qu'elle ne dépasse pas cette valeur.
- Sélectionner le dispositif de sécurité ou le protecteur thermique adapté.
- Le radiateur ne doit jamais être installé à l'intérieur de l'unité. Le radiateur doit de préférence être installé dans le conduit d'alimentation, si la distance du radiateur est suffisante pour garantir que la température intérieure de l'unité ne dépasse pas 60°C.

(v) Commande de l'économiseur

- S'assurer que l'ensemble de l'économiseur a été incorporé avec l'unité de toiture avant d'activer la fonction de l'économiseur dans le tableau principal de commande. Sinon, une erreur se produira.
- Pour activer la fonction de l'économiseur, régler le commutateur Dip : SW4 - ON (la valeur par défaut est OFF) dans le panneau principal de commande et paramètre du panneau G6 sur «1» (la valeur par défaut est '0').

Remarque

G6 = Commande de l'économiseur
 0 = désactiver
 1 = activer.



- Dans le tableau de commande de l'économiseur se trouvent 4 commutateurs dip et 3 cavaliers dérivés qui permettent une sélection flexible en fonction des différentes conditions :
 - Commutateur Dip 1 : Réglage minimal de l'ouverture d'air frais en mode chauffage, où la sélection de différentes broches donne un réglage d'ouverture différent. SW1 : 5%, SW2 : 10%, SW3 : 15%, SW4 : 20%, SW5 : 25%, SW6/7/8 : pas de fonction, valeur par défaut : 0% (pas de sélection, tout est sur OFF).
 - Commutateur Dip 2 : Réglage minimal de l'ouverture d'air frais en mode refroidissement, où la sélection de différentes broches donne un réglage d'ouverture différent. SW1 : 0%, SW2 : 5%, SW3 : 15%, SW4 : 20%, SW5 : 25%, SW6/7/8 : pas de fonction, valeur par défaut : 10% (pas de sélection, tout est sur OFF).
 - Commutateur Dip 3 : Sélection de la valeur seuil du niveau de CO₂ en PPM, où la sélection de différentes broches donne un réglage de valeur différent. SW1 : 25%, SW2 : 50%, SW3 : 75%, SW4 : 100%, Valeur par défaut : 0% (pas de sélection, tout est sur OFF).
 - Commutateur Dip 4 : Type de fonctionnement, qui inclut la sélection suivante :
 - SW1 : OFF = Fonctionnement de la température différentielle (valeur par défaut), ON = Pas de fonction pour le moment.
 - SW2 : OFF = Mode économiseur (valeur par défaut), ON = Mode air frais.
 - SW3 : OFF = La protection de refroidissement excessif est activée (valeur par défaut), ON = La protection de refroidissement excessif n'est pas activée.

Cavaliers dérivés 1, 2 et 3 : Réglage minimal de l'ouverture d'air frais en mode ventilateur, où la sélection de différentes broches donne un réglage d'ouverture différent. Soit le cavalier dérivé 1 = JP1, cavalier dérivé 2 = JP2 et le cavalier dérivé 3 = JP3 ; se référer au tableau ci-dessous pour la sélection d'ouvertures d'air frais différentes :-

Admission d'air frais (%)	JP1	JP2	JP3
0 (valeur par défaut)	OFF	OFF	OFF
10	OFF	OFF	ON
20	OFF	ON	OFF
30	OFF	ON	ON
40	ON	OFF	OFF
50	ON	OFF	ON
70	ON	ON	OFF
85	ON	ON	ON

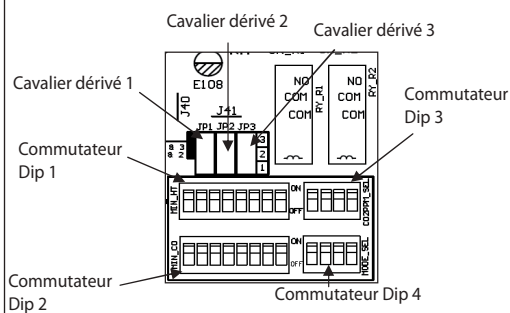
Légende : OFF = Broche courte 2 et broche 3
ON = Broche courte 1 et broche 2



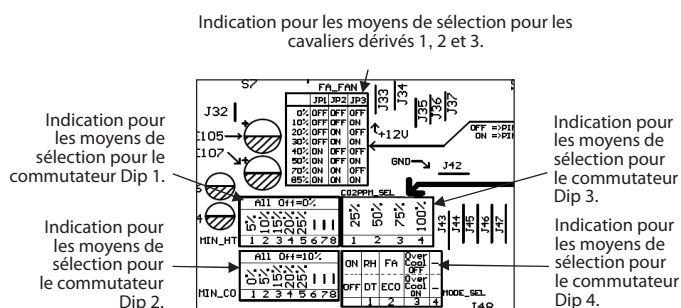
AVERTISSEMENT

Les commutateurs Dip 1, 2 et 3 autorisent la sélection de 1 broche uniquement. La sélection de plusieurs broches entraînera une erreur et l'opération retournera au réglage par défaut. Tandis que le commutateur Dip 4 autorise la sélection de plusieurs broches.

Emplacement des commutateurs dip et des cavaliers dérivés dans le tableau de commande de l'économiseur :



Indication sur le tableau de commande de l'économiseur :

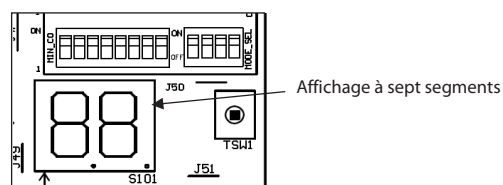


- Il y a deux voyants LED dans le tableau de commande de l'économiseur qui sont les voyants LED vert et rouge. Le voyant LED vert clignote lorsque le tableau de commande de l'économiseur est mis sous tension. Le voyant LED rouge clignote en cas d'erreur. Se référer au tableau ci-dessous pour connaître les codes d'erreurs et leurs significations :-

Code de l'erreur	Defaults
F0	L'actionneur d'air frais est défectueux/ dysfonctionnement
F1	L'actionneur de reprise d'air est défectueux/ dysfonctionnement
F2	Erreur de communication
F3	Court-circuit au niveau du capteur de CO ₂
F4	Ouverture du capteur de CO ₂
F5	Court-circuit au niveau du capteur d'humidité relative de l'air frais
F6	Ouverture du capteur d'humidité relative de l'air frais
F7	Court-circuit au niveau du capteur d'humidité relative de la reprise d'air
F8	Ouverture au niveau du capteur d'humidité relative de la reprise d'air
F9	Activation de la protection de l'actionneur
FA	Sélection de plusieurs broches dans le commutateur Dip 1, 2 ou 3

Remarque

Les codes d'erreur sont indiqués sur l'affichage à sept segments du tableau de commande de l'économiseur.



Remarque

En cas d'erreur persistante, veuillez appeler votre revendeur/technicien local pour un dépannage. Toutes les erreurs qui surviennent dans le tableau de commande de l'économiseur n'affectent toutefois pas le fonctionnement normal de l'unité du toit.

ENTRETIEN ET MAINTENANCE

Remarque valable pour la Turquie uniquement : La durée de vie de nos produits est de dix (10) ans

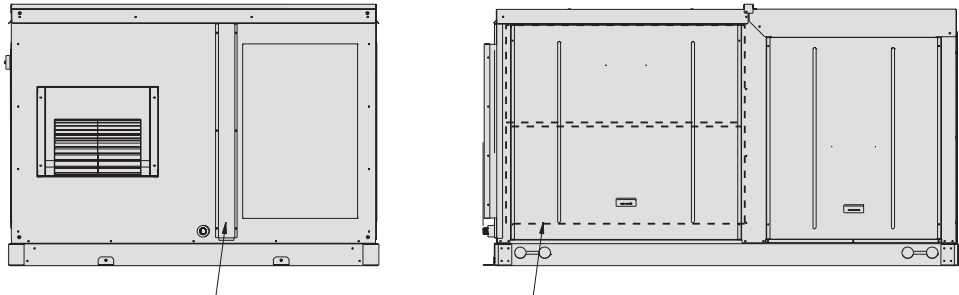
ENTRETIEN DU FILTRE

- Enlever la poussière du filtre à l'aide d'un aspirateur ou en lavant le filtre à l'eau tiède (moins de 40°C) avec un détergent neutre.
- Bien rincer et sécher le filtre avant de le remettre en place.
- Ne pas utiliser de gasoil, de substances volatiles ou autres produits chimiques pour nettoyer le filtre.
- Nettoyer le filtre au moins une fois toutes les 2 semaines. Ou plus souvent si nécessaire.

Position du filtre

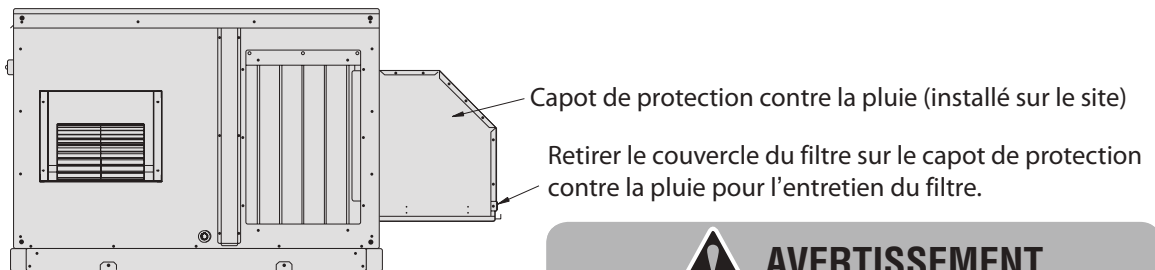
Les filtres sont montés à l'avant de l'échangeur thermique intérieur.

L'unité illustrée dans le schéma est l'UATYQ250. La même méthode est à utiliser pour les autres modèles.



Retirer le couvercle du filtre pour l'entretien du filtre. Sinon, retirer le panneau de service pour l'entretien du filtre.

Un filtre supplémentaire monté en dessous du capot de protection contre la pluie d'une unité installée avec l'ensemble de l'économiseur. L'unité illustrée dans le schéma est l'UATYQ250 + ensemble de l'économiseur (installée sur le site). La même méthode est à utiliser pour les autres modèles.



Capot de protection contre la pluie (installé sur le site)

Retirer le couvercle du filtre sur le capot de protection contre la pluie pour l'entretien du filtre.



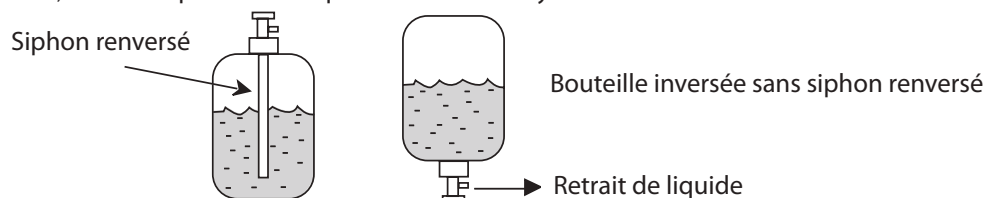
AVERTISSEMENT

Veiller à bien placer le filtre et à fixer fermement le couvercle du filtre avec les vis après l'entretien pour éviter des fuites d'eau. Si nécessaire, un dispositif d'étanchéité contre les intempéries sera appliqué pour assurer un fini résistant à l'eau sur le couvercle du filtre et le capot de protection contre la pluie.

TIRAGE AU VIDE ET CHARGE

Les unités de toiture sont préchargées d'usine avec une quantité suffisante de réfrigérant. Toutefois, il peut être nécessaire de remettre la charge à niveau au moment du service et des travaux d'entretien. Certaines précautions doivent alors être prises pour garantir un fonctionnement optimal et impeccable du système :

- (i) Le système doit être soigneusement tiré au vide pour garantir l'absence de gaz incompressible et d'humidité dans le système.
- (ii) Utiliser une pompe à vide exclusivement réservée au R410A. Utiliser la même pompe à vide pour différents réfrigérants peut endommager la pompe à vide ou l'unité.
- (iii) Le réfrigérant ne doit jamais être libéré directement dans l'atmosphère.
- (iv) Lors du chargement du R410A, s'assurer que seul du liquide est retiré du cylindre ou du bidon.



Habituellement, le cylindre ou le bidon de R410A est équipé d'un siphon renversé pour le retrait du liquide. Toutefois, en l'absence de siphon renversé, retourner le cylindre ou le bidon afin de retirer le liquide par le robinet inférieur.



AVERTISSEMENT

- Le R410A doit être chargé comme liquide. Habituellement, le cylindre de R410A est équipé d'un siphon renversé pour le retrait du liquide. En l'absence de siphon inversé, retourner le cylindre afin de retirer le liquide R410A par le robinet.
- Ne pas faire de remise à niveau en cas de fuite, cela réduirait la performance de l'unité. Vider complètement l'unité et la charger de R410A neuf selon la quantité recommandée dans les spécifications.

DÉPANNAGE

Pour tout renseignement concernant les pièces détachées, contacter votre revendeur agréé. En cas de dysfonctionnement du climatiseur, vérifier les points suivants pour déterminer la cause du problème et le résoudre.

Problème	Causes	Action
L'unité ne fonctionne pas.	<ul style="list-style-type: none"> ● Panne d'alimentation. ● Fusible sauté ou disjoncteur ouvert. ● Phase du câblage d'alimentation électrique incorrecte. 	<ul style="list-style-type: none"> ▶ ● Appuyer sur le bouton [ON/OFF] une fois l'alimentation rétablie. ▶ ● Remplacer le fusible ou réenclencher le disjoncteur. ▶ ● Modifier la phase du câblage.
Le compresseur ne fonctionne pas dans les 3 minutes suivant le démarrage de l'unité.	<ul style="list-style-type: none"> ● Protection contre les démarrages fréquents. 	<ul style="list-style-type: none"> ▶ ● Attendre 3 minutes avant que le compresseur démarre.
Débit d'air trop faible.	<ul style="list-style-type: none"> ● Le filtre est poussiéreux et encrassé. ● L'admission et la sortie d'air des unités sont obstruées. 	<ul style="list-style-type: none"> ▶ ● Nettoyer le filtre. ▶ ● Retirer les obstacles.
Le compresseur fonctionne en continu.	<ul style="list-style-type: none"> ● Filtre à air encrassé. ● Température trop faible (pour le refroidissement). ● Température trop élevée (pour le chauffage). 	<ul style="list-style-type: none"> ▶ ● Nettoyer le filtre à air. ▶ ● Réinitialisez la température.
Aucun air froid n'est fourni en cycle de refroidissement, ou aucun air chaud n'est fourni en cycle de chauffage.	<ul style="list-style-type: none"> ● Température trop élevée (pour le refroidissement). ● Température trop faible (pour le chauffage). 	<ul style="list-style-type: none"> ▶ ● Baisser la température. ▶ ● Augmenter la température.
En cycle de chauffage, aucun air fourni (UATYQ250). Ou, l'air fourni n'est pas assez chaud (UATYQ350/450/550/600/700/900).	<ul style="list-style-type: none"> ● L'unité est en cycle de dégivrage. 	<ul style="list-style-type: none"> ▶ ● Attendre un moment. (Elle reprendra son fonctionnement après le dégivrage.)

Si l'erreur persiste, contacter un revendeur/technicien agréé local.

ENSEMBLE DE L'ÉCONOMISEUR

A Introduction

L'ensemble de l'économiseur est un accessoire fourni par l'usine, mais qui nécessite une installation sur site. L'ensemble de l'économiseur est compatible pour les modèles sur toiture R410A. Si vous n'êtes pas certain(e) que cet ensemble peut être utilisé avec votre unité spécifique, veuillez contacter le service d'entretien agréé. L'ensemble de l'économiseur permet de mélanger l'air extérieur avec la reprise d'air pour un refroidissement « libre », si la température de l'air à l'extérieur est convenable. Il est possible d'utiliser le refroidissement de l'économiseur seul ou en conjonction avec un dispositif de refroidissement mécanique. Par ailleurs, l'ensemble de l'économiseur peut aussi servir à fournir de l'air de ventilation, améliorant ainsi la qualité de l'air à l'intérieur. Il est vital d'effectuer une sélection correcte sur l'ensemble de l'économiseur, référez-vous au tableau ci-dessous pour les lignes directrices concernant la sélection d'un ensemble :

N°	Unité du toit	L'ensemble de l'économiseur est compatible avec l'unité du toit
1	UATYQ250	ECONO250
2	UATYQ350	ECONO350
3	UATYQ450	ECONO450
4	UATYQ550	ECONO550
5	UATYQ600	ECONO600
6	UATYQ700	ECONO700
7	UATYQ900	ECONO900

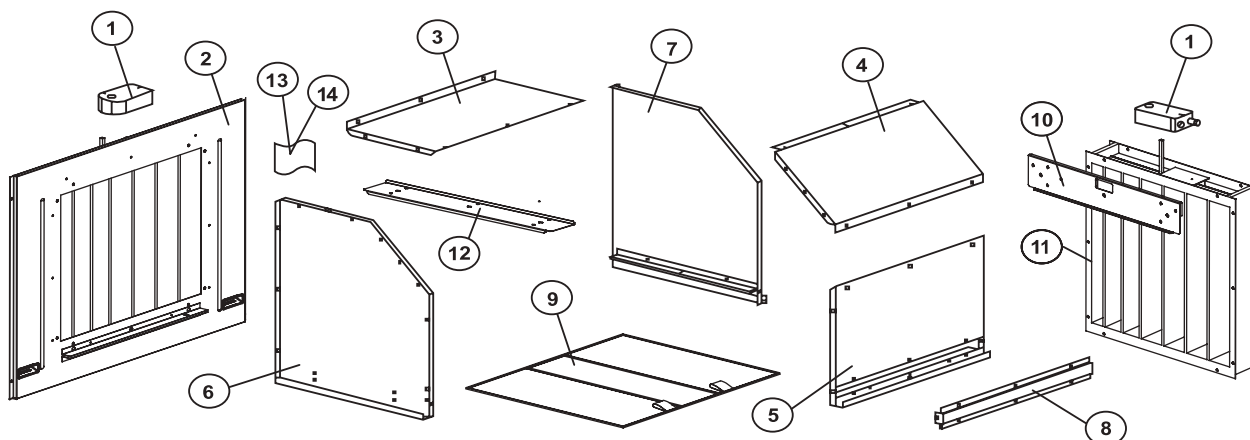
Remarque

Une mauvaise sélection peut empêcher le montage de l'ensemble sur l'unité du toit.

B Contrôle avant l'installation

(i) Le contenu de l'ensemble de l'économiseur

Avant l'installation, il est conseillé de contrôler le contenu de l'ensemble de l'économiseur après avoir retiré l'emballage. L'ensemble inclut les composants suivants :

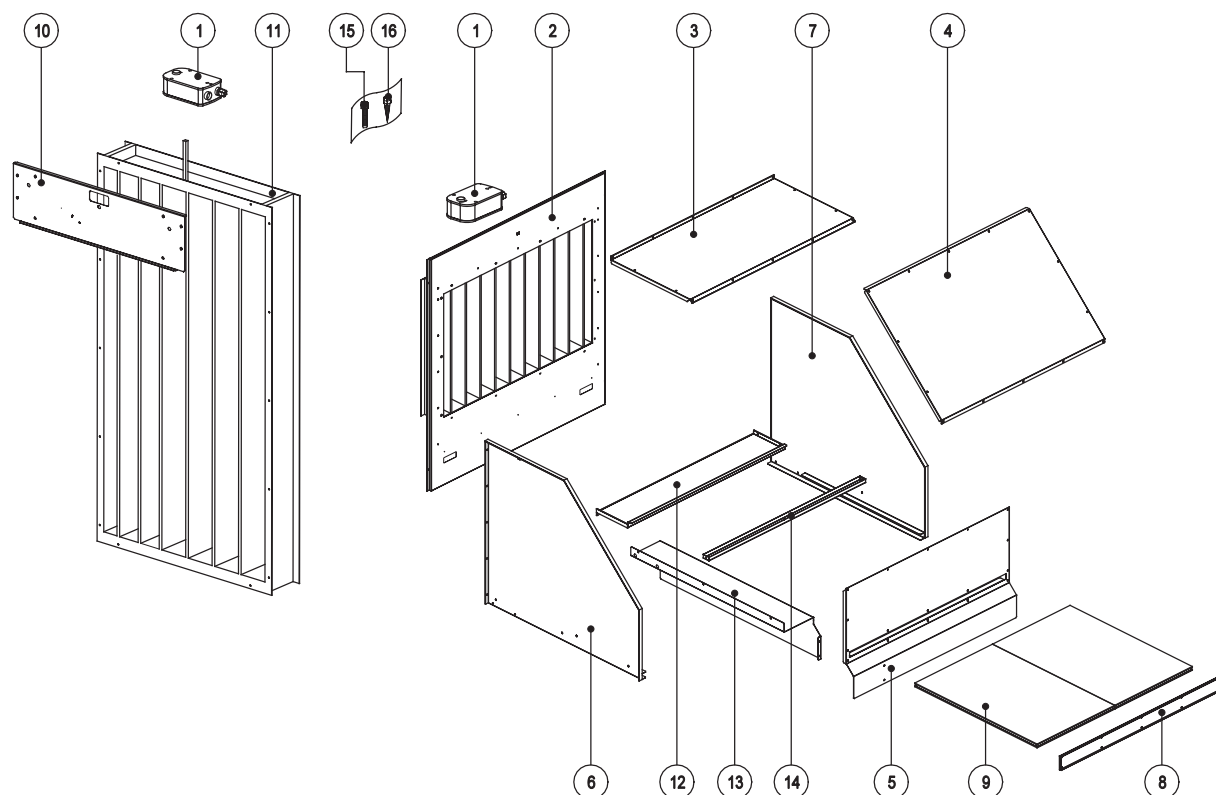


N°	Description élément	Quantité (jeu)
1	Actionneur Belimo, LF24-SR	2
2	Panneau latéral avec humidificateur de retour	1
3	Capot de protection, panneau supérieur	1
4	Capot de protection, panneau central	1
5	Capot de protection, panneau inférieur	1
6	Capot de protection, panneau central gauche	1
7	Capot de protection, panneau central droit	1

N°	Description élément	Quantité (jeu)
8	Couvercle du filtre	1
9	Filtre	1
10	Support, humidificateur de retour	1
11	Humidificateur de retour	1
12	Support, flux descendant	1
13	Vis, M5x16	55
14	Vis, M4x12	4

* Patte de support en saillie (élément 12) n'est pas disponible dans le modèle ECONO700.

(ii) Le contenu de l'ensemble de l'économiseur UATY900



N°	Description élément	Quantité (jeu)
1	Actionneur Belimo, LF24-SR	2
2	Panneau latéral avec humidificateur de retour	1
3	Capot de protection, panneau supérieur	1
4	Capot de protection, panneau central	1
5	Capot de protection, panneau avant	1
6	Capot de protection, panneau central droit	1
7	Capot de protection, panneau central gauche	1
8	Couvercle du filtre	1

N°	Description élément	Quantité (jeu)
9	Filtre	1
10	Support, humidificateur de retour	1
11	Humidificateur de retour	1
12	Capot de protection, panneau inférieur	1
13	Bride, capot de protection Air 1	1
14	filtre de support	1
15	Vis, M5x16	97
16	Vis, M4x12	4

Remarque

Contactez le service d'entretien agréé si l'accessoire est endommagé ou incomplet.

(iii) Espace de l'unité

Prévoir un espace suffisant pour le flux d'air, l'entretien et le câblage une fois que l'ensemble est monté sur l'unité. Il ne doit pas y avoir d'obstruction du flux d'air dans cet espace. Référez-vous à la partie (F) du chapitre « INSTALLATION DE L'UNITÉ » de ce manuel. Sinon, cela peut générer un flux d'air faible ou un dysfonctionnement de l'unité.

(iv) Emplacement pour l'installation

Suivre les recommandations données dans la partie (A) du chapitre « INSTALLATION DE L'UNITÉ » de ce manuel. En outre, il faut tenir compte des conditions de l'installation autour de l'ensemble, où :

- Le jeu entre le capot de protection contre la pluie et le sol ne doit jamais comporter d'accumulation de neige ou d'eau.
- L'admission d'air frais n'est pas orientée dans le sens du vent dominant.
- L'air extérieur doit toujours être propre et sans odeur, être conforme à la limite de concentration relative à plusieurs contaminants définie par les normes locales et ne dépasse pas la valeur limite minimale de toxicité spécifiée par les normes locales.

(v) fonction de l'humidificateur

Vérifier les deux humidificateurs dans l'ensemble de l'économiseur, qui sont les éléments 2 et 11, en faisant tourner l'arbre de l'humidificateur à +90° et -90° (d'une ouverture complète à une fermeture complète ou vice-versa). La rotation de l'humidificateur doit être homogène et facile. Tout dommage ou toute anomalie doit être notifiée à un service d'entretien agréé.

C Outils et matériaux requis pour l'installation

- | | |
|--------------------------------------------------|------------------------------------------------------------------|
| (i) Tournevis électrique avec douilles assorties | (vii) Clé à mollette (petite taille) |
| (ii) Perceuse électrique avec douilles assorties | (viii) Pied-de-biche et marteau |
| (iii) Petit tournevis à lame plate | (ix) Dispositif d'étanchéité aux intempéries (comme du silicone) |
| (iv) Couteau | (x) Joint |
| (v) Tournevis de type Philips | (xi) Étiquette de verrouillage de sécurité |
| (vi) Ruban de mesure ou règle | (xii) Attache-câbles |

D Lignes directrices relatives à l'installation**(i) Application côté reprise (horizontal)****ÉTAPE 1**

- Débrancher l'alimentation électrique de l'unité et installer une étiquette de verrouillage de sécurité avant l'installation, la mise en service ou l'entretien de l'unité de l'économiseur. Préparer tous les outils requis précités.

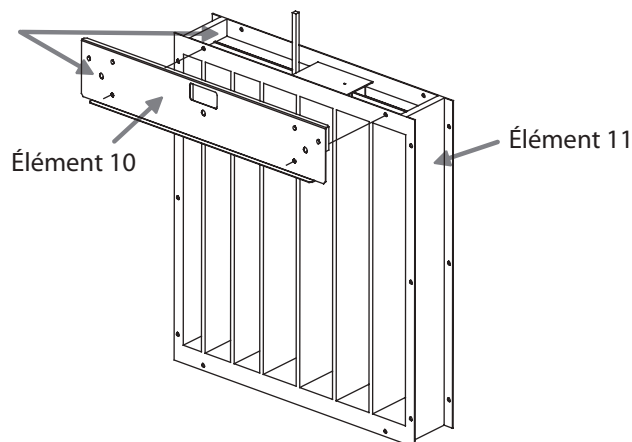
ÉTAPE 2

- Déballer le cageot en bois de l'ensemble de l'économiseur à l'aide du pied-de-biche et du marteau. Retirer ensuite les enveloppes transparentes qui contiennent des pièces libres et des fixations à l'aide du couteau. Effectuez le contrôle avant installation comme décrit ci-haut.

ÉTAPE 3

- Fixer le support (élément 10) à l'humidificateur de retour (élément 11) à l'aide d'une vis M5x16 (élément 13) fournie dans l'ensemble.

Visser l'élément 10
à l'élément 11

**ÉTAPE 4**

- Monter 1 actionneur Belimo LF24-SR (élément 1) « RA » à l'humidificateur de retour (élément 11). Aligner et insérer l'orifice de l'actionneur à l'arbre de l'humidificateur.

**AVERTISSEMENT 1**

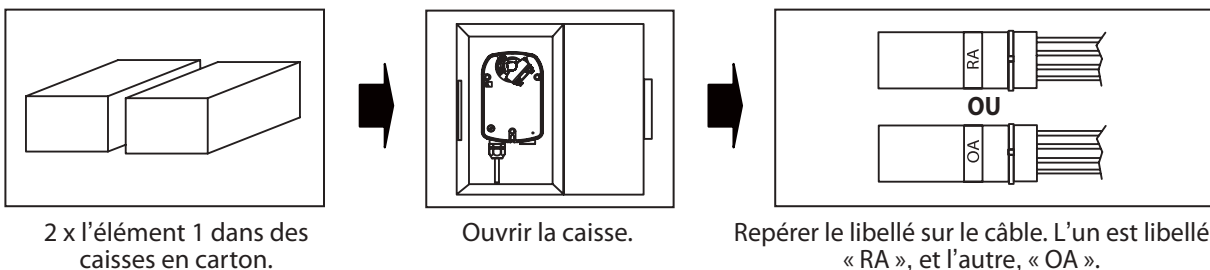
Le réglage par défaut pour l'humidificateur de retour (élément 11) sera totalement ouvert. Veiller à ce que cet humidificateur soit en position « totalement ouverte » avant de le monter à l'actionneur. Sinon, cela peut générer des erreurs durant le fonctionnement normal de l'unité.

**AVERTISSEMENT 2**

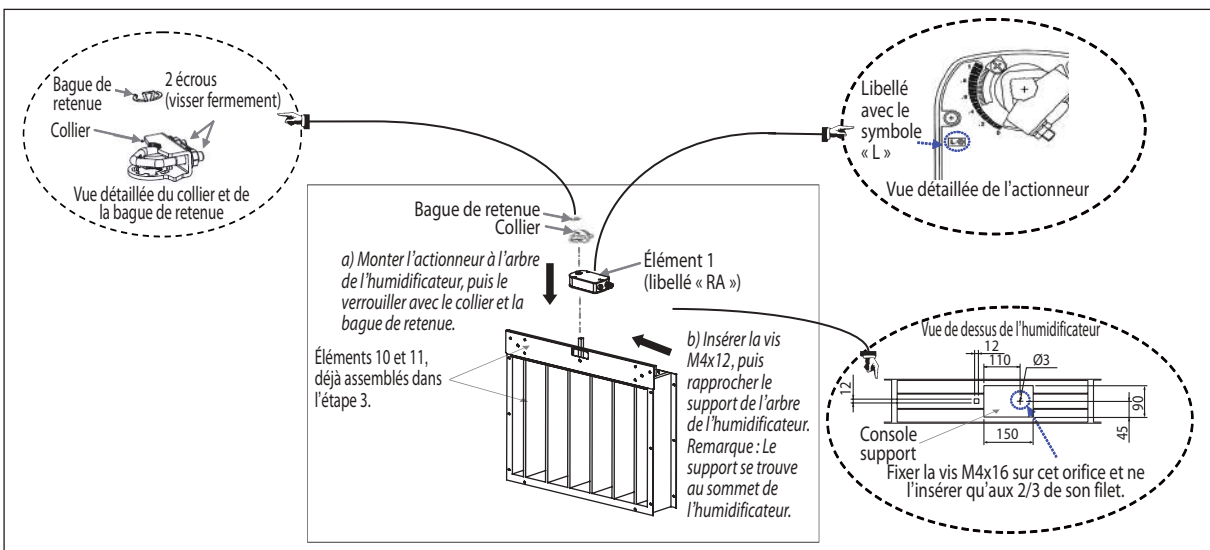
La surface de l'actionneur qui est orientée vers le haut/l'extérieur doit être libellée avec le symbole « L » pour assurer la rotation de la modulation de l'actionneur dans le sens des aiguilles d'une montre. Sinon, cela peut générer des erreurs durant le fonctionnement de l'unité avec la fonction de l'économiseur.

Remarque

L'ensemble de l'économiseur compte 2 actionneurs Belimo LF24-SR (élément 1), livrés dans des caisses en carton. Ouvrir les caisses et repérer le libellé sur le câble. L'actionneur utilisé dans l'étape 4 est celui qui est libellé « RA ».



- Fixer ensuite 1 vis M4x12 (élément 14) sur le support de l'humidificateur. N'insérer la vis qu'aux 2/3 de son filet. Monter l'actionneur sur le support en rapprochant le support de l'arbre de l'humidificateur. La vis M4x12 permet de bloquer l'actionneur pour qu'il ne glisse pas en cours de modulation.
- Placer ensuite le collier dans l'arbre et verrouiller l'actionneur à l'aide d'une bague de retenue. Serrer fermement les écrous du collier à l'aide de la clé à mollette. Puisque le collier et la bague de retenue font partie intégrante de l'actionneur, vous pouvez trouver ces pièces à l'intérieur du boîtier de l'actionneur.



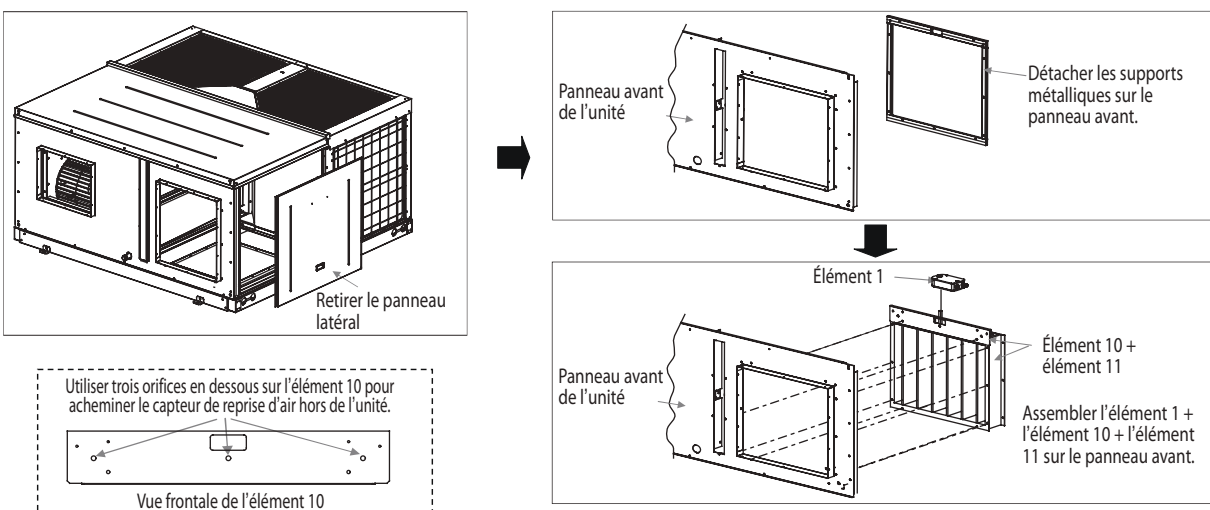
ÉTAPE 5

- Retirer le panneau latéral. Détacher ensuite 4 supports métalliques sur le panneau avant. Installer l'humidificateur de retour (élément 11) + le support de l'humidificateur de retour (élément 10) + l'actionneur Belimo LF24-SR (élément 1) (déjà assemblés dans les étapes 3 et 4) dans le panneau avant de l'unité à l'aide des mêmes orifices de vis. Utiliser la vis M5x16 (élément 13) pour la fixation.



AVERTISSEMENT

Étendre le capteur d'air de retour qui se trouve à l'intérieur de l'unité (au sommet de l'admission d'air de retour) sur la surface extérieure de l'unité. Ceci peut se faire en faisant passer le capteur par des petits orifices sur le support (élément 10) de l'humidificateur de retour. Le capteur est ensuite correctement placé à l'intérieur du conduit de reprise d'air à l'aide des attache-câbles (fourniture sur site). Sinon, cela peut affecter la performance de l'appareil et entraîner un inconfort thermique pour les utilisateurs.



ÉTAPE 6

- Monter 1 actionneur Belimo LF24-SR (élément 1) libellé « OA », sur le panneau latéral avec l'humidificateur d'air externe (élément 2). Aligner et insérer l'orifice de l'actionneur à l'arbre de l'humidificateur.



AVERTISSEMENT 1

Le réglage par défaut pour l'humidificateur d'air extérieur (élément 2) doit être totalement fermé. Veiller à ce que cet humidificateur soit en position « totalement fermée » avant de monter l'actionneur. Sinon, cela peut générer des erreurs en cours de fonctionnement normal de l'unité.

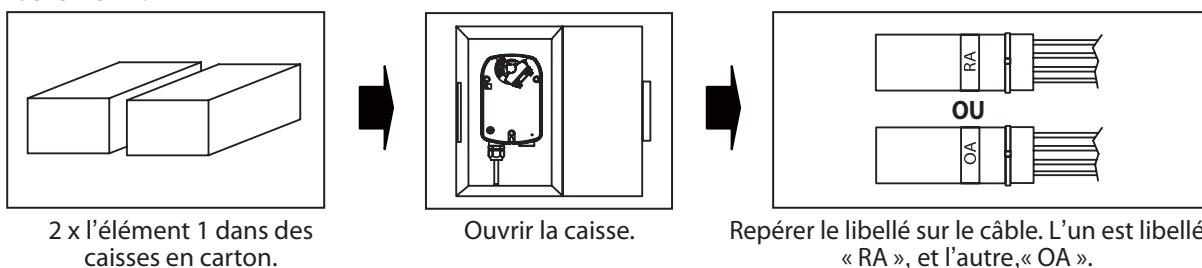


AVERTISSEMENT 2

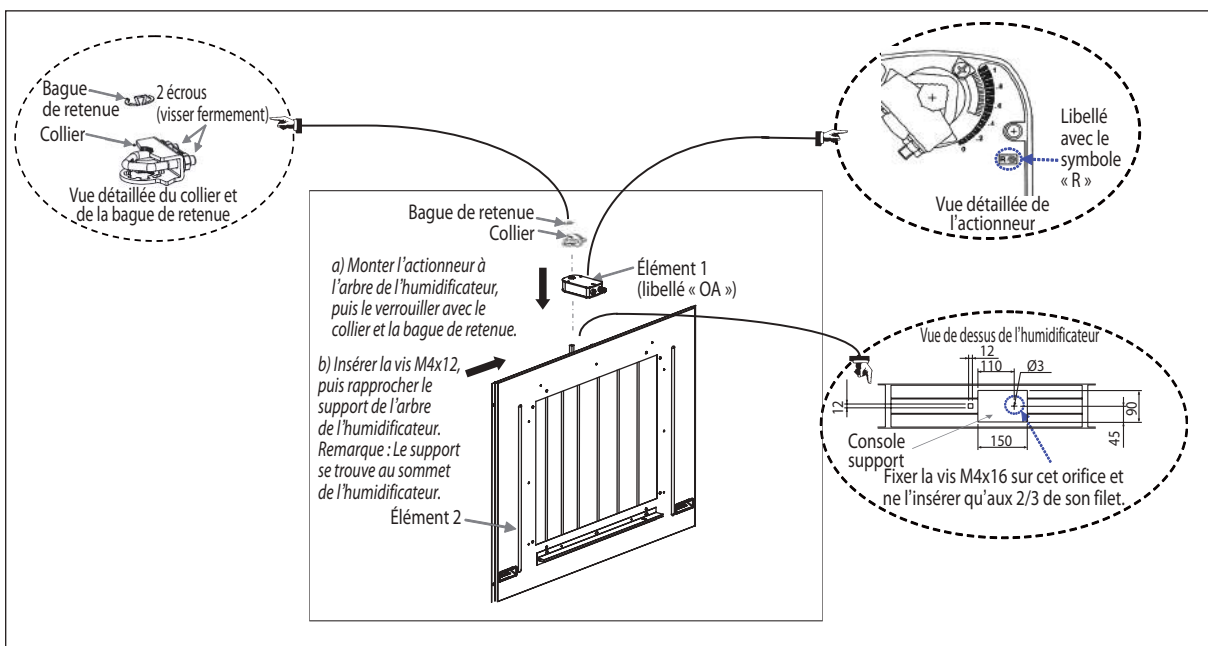
La surface de l'actionneur qui est orientée vers le bas/l'extérieur doit être libellée avec le symbole « R » pour assurer la rotation de la modulation de l'actionneur dans le sens inverse des aiguilles d'une montre. Sinon, cela peut générer des erreurs en cours de fonctionnement de l'unité avec la fonction de l'économiseur.

Remarque

L'ensemble de l'économiseur compte 2 actionneurs Belimo LF24-SR (élément 1), livrés dans des caisses en carton. Ouvrir les caisses et repérer le libellé sur le câble. L'actionneur utilisé dans l'étape 6 est celui qui est libellé « OA ».



- Fixer ensuite 1 vis M4x12 (élément 14) sur le support de l'humidificateur. N'insérer la vis qu'aux 2/3 de son filet. Monter l'actionneur sur le support en rapprochant le support de l'arbre de l'humidificateur. La vis M4x12 permet de bloquer l'actionneur pour qu'il ne glisse pas en cours de modulation.
- Placer ensuite le collier dans l'arbre et verrouiller l'actionneur à l'aide d'une bague de retenue. Serrer fermement les écrous du collier à l'aide de la clé à mollette. Puisque le collier et la bague de retenue font partie intégrante de l'actionneur, vous pouvez trouver ces pièces à l'intérieur du boîtier de l'actionneur.



ÉTAPE 7

- Connecter l'actionneur Belimo LF24-SR (élément 1) avec le libellé « RA », qui se trouve maintenant au niveau de l'humidificateur de l'assemblage sur le panneau frontal du bornier avec le libellé « RA » à l'intérieur de la boîte de jonction.
- Il y a quatre câbles sur l'actionneur avec différentes couleurs (noir, rouge, vert et blanc). Connecter les câbles comme décrit ci-dessous:

- Câble noir - connecter le premier pôle du bornier libellé « GND ».
- Câble rouge - connecter le deuxième pôle du bornier libellé « +24 V ».
- Câble vert - connecter le troisième pôle du bornier libellé « DCV ».
- Câble blanc - connecter le quatrième pôle du bornier libellé « FB ».

(Vous pouvez vous référer au schéma de câblage qui se trouve sur le couvercle avant de la boîte de jonction.)

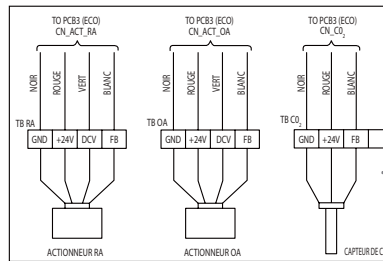


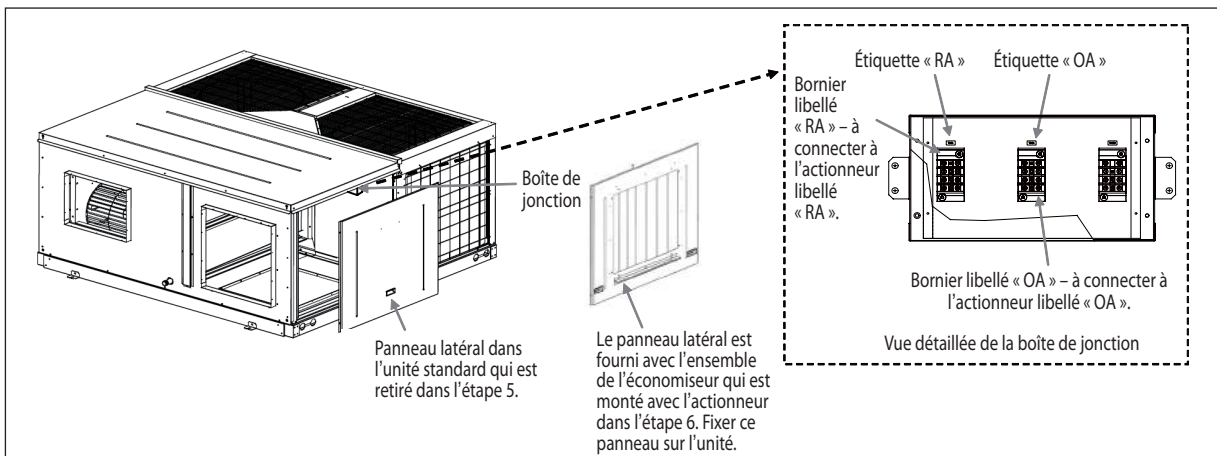
Schéma de câblage sur le couvercle avant de la boîte de jonction



AVERTISSEMENT

Un mauvais raccordement des câbles peut provoquer le mauvais fonctionnement de l'actuateur ou de la carte de commande de l'économiseur ou les deux. Attacher les câbles avec des attache-câbles libérables en dessous de la boîte de jonction.

- Connecter ensuite l'actionneur Belimo, LF24-SR (élément 1) libellé « OA », qui se trouve maintenant au niveau de l'humidificateur de l'assemblage sur le panneau latéral du bornier libellé « OA » à l'intérieur de la même boîte de jonction. Suivre la même méthode utilisée pour la connexion des câbles entre l'actionneur libellé « RA » et le bornier libellé « RA ». Fixer ensuite le panneau latéral sur l'unité. Il se peut que vous deviez effectuer une disposition appropriée sur les câbles de l'actionneur à l'aide d'attache-câbles (fourniture sur site) avant de fixer le panneau latéral sur l'unité.

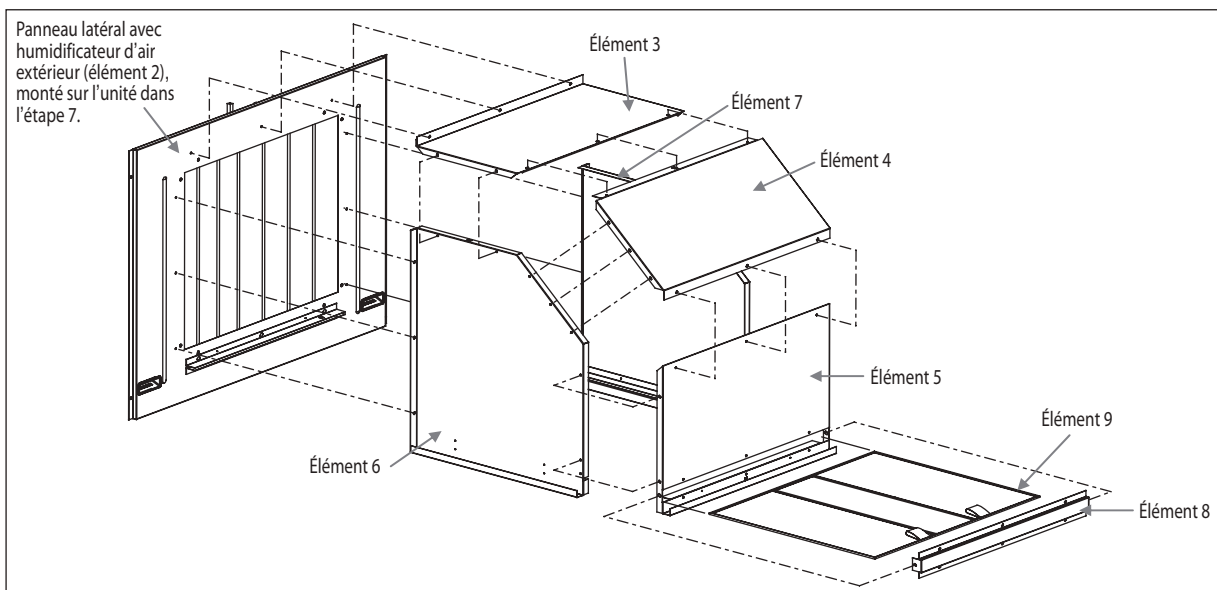


ÉTAPE 8

- Pour construire le capot de protection contre la pluie, installer les pièces libres (pièces métalliques) sur le panneau latéral. Au préalable, placer le joint (fourniture sur site) sur le panneau latéral pour l'étanchéité.
- Ensuite, suivre la séquence d'installation cidessous pour assembler le capot de protection contre la pluie :

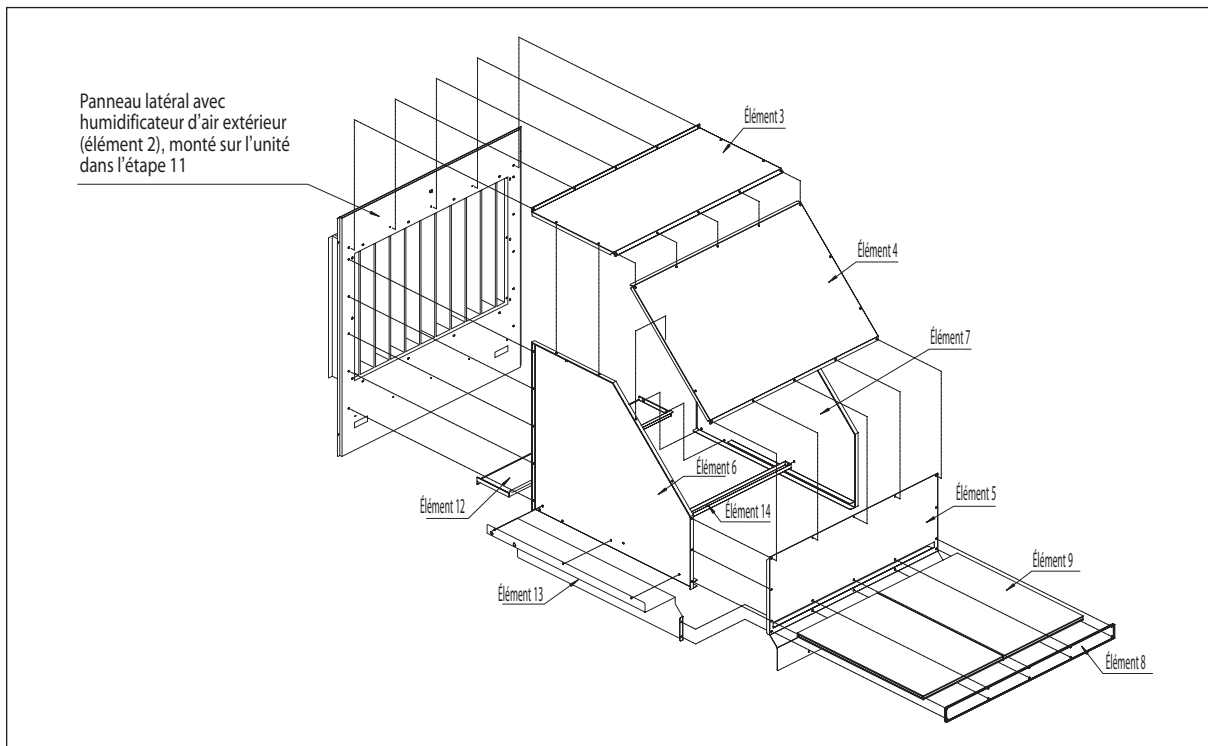
Modèle : UATYQ 250, 350, 450, 550, 600, 700

Vis
Élément 2 -----> Élément 6 -----> Élément 7 -----> Élément 3 -----> Élément 4 -----> Élément 5 -----> Élément 9 -----> Élément 8 -----> Dispositif d'étanchéité



Modèle : UATYQ 900

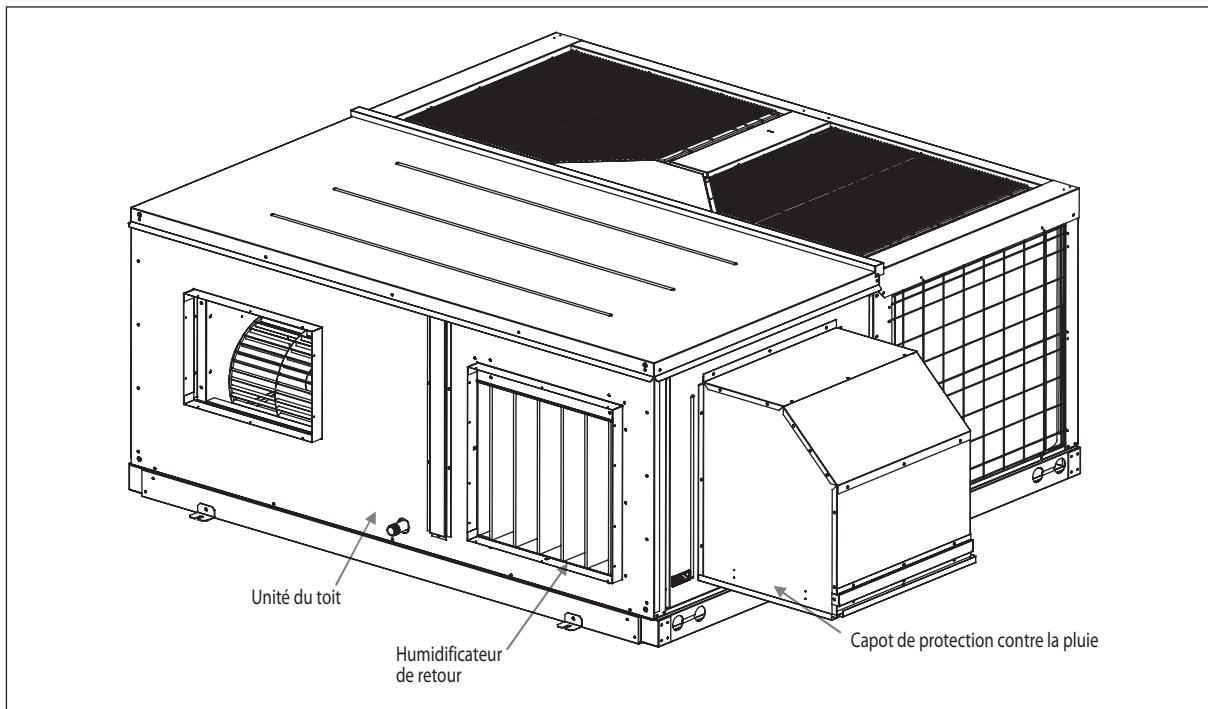
Vis
 Élément 2 -----> Élément 6 -----> Élément 7 -----> Élément 12 -----> Élément 14 -----> Élément 5 -----> Élément 4 -----> Élément 3 -----> Élément 13 -----> Élément 9 -----> Élément 8 -----> Dispositif d'étanchéité



- Il est conseillé de sceller tous les joints et les espaces avec un dispositif d'étanchéité aux intempéries (comme du silicone, un élément fourni sur le site) afin d'assurer un fini étanche à l'eau du capot de protection contre la pluie.

ÉTAPE 9

- Pour finir, vous pouvez voir l'unité avec l'ensemble de l'économiseur selon l'illustration dans le schéma suivant :



Remarque

Unité illustrée dans les schémas de l'étape 1 à l'étape 9 concernant l'UATYQ350. La même méthode est à utiliser pour les autres modèles.

Unité illustrée dans les schémas de l'étape 1 à l'étape 10 concernant l'UATYQ900. La même méthode est à utiliser pour les autres modèles.

(ii) Application à reprise inférieure (vertical)

ÉTAPE 1

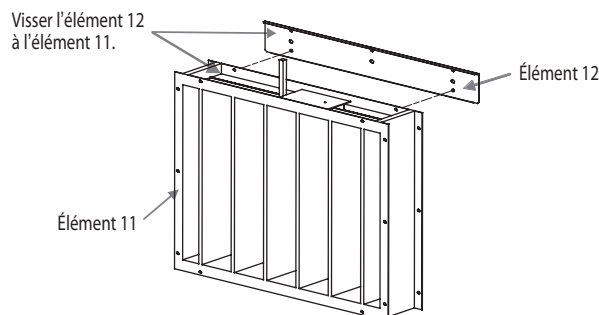
- Débrancher l'alimentation électrique de l'unité et installer une étiquette de verrouillage de sécurité avant l'installation, la mise en service ou l'entretien de l'unité de l'économiseur. Préparer tous les outils requis précités.

ÉTAPE 2

- Déballez le cageot en bois de l'ensemble de l'économiseur à l'aide du pied-de-biche et du marteau. Retirez ensuite les enveloppes transparentes qui contiennent des pièces libres et des fixations à l'aide du couteau. Effectuez le contrôle avant installation comme décrit ci-haut.

ÉTAPE 3

- Fixer le support (élément 12) de l'unité à flux descendant à l'humidificateur de retour (élément 11) à l'aide d'une vis M5x16 (élément 13) fournie avec l'ensemble.



Remarque

Patte de support en saillie (élément 12) n'est pas disponible dans le modèle ECONO 700 & 900. Pour installer le Kit de l'économiseur pour ce modèle, ignorez l'étape 3 et sautez à l'étape 4.

ÉTAPE 4

- Monter 1 actionneur Belimo LF24-SR (élément 1) à l'humidificateur de retour (élément 11). Aligner et insérer l'orifice de l'actionneur à l'arbre de l'humidificateur.



AVERTISSEMENT 1

Le réglage par défaut pour l'humidificateur de retour (élément 11) sera totalement ouvert. Veillez à ce que cet humidificateur soit en position « totalement ouverte » avant de monter l'actionneur. Sinon, cela peut générer des erreurs en cours de fonctionnement normal de l'unité.

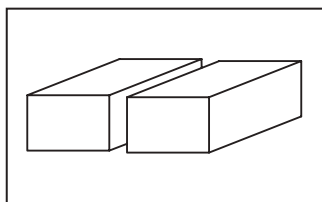


AVERTISSEMENT 2

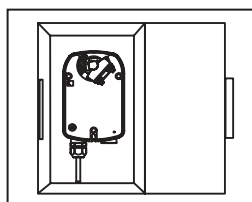
La surface de l'actionneur qui est orientée vers le haut/l'extérieur doit être libellée avec le symbole « L » pour assurer la rotation de la modulation de l'actionneur dans le sens des aiguilles d'une montre. Sinon, cela peut générer des erreurs en cours de fonctionnement de l'unité avec la fonction de l'économiseur.

Remarque

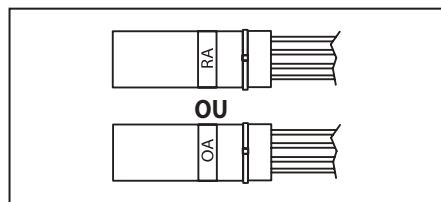
L'ensemble de l'économiseur compte 2 actionneurs Belimo LF24-SR (élément 1), livrés dans des caisses en carton. Ouvrir les caisses et repérer le libellé sur le câble. L'actionneur utilisé dans l'étape 4 est celui qui est libellé « RA ».



2 x l'élément 1 dans des caisses en carton.

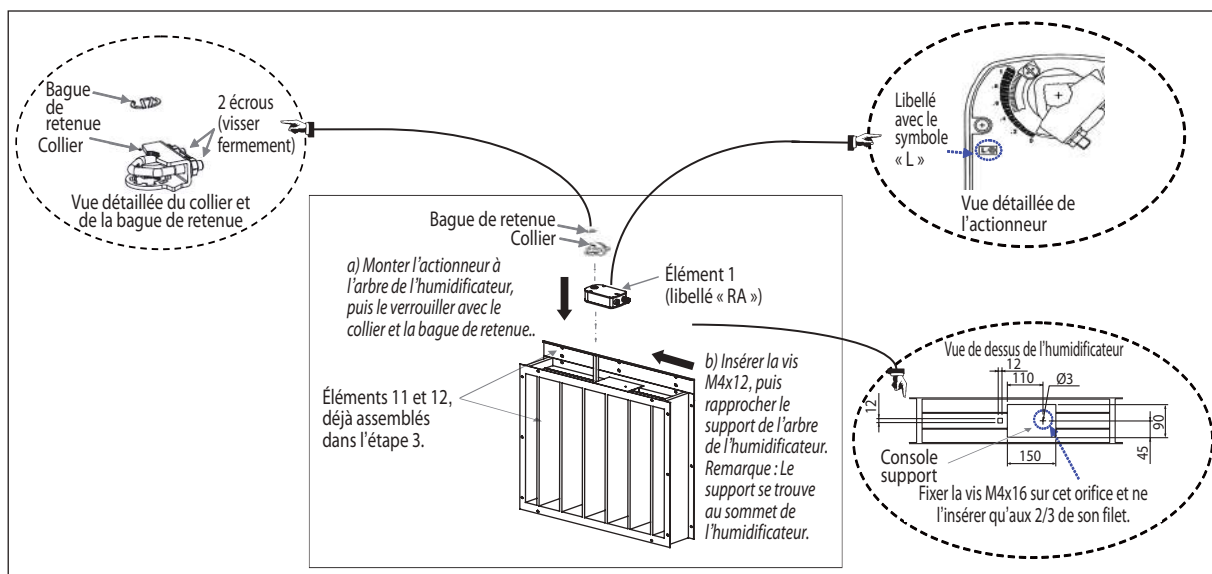


Ouvrir la caisse.



Repérer le libellé sur le câble. L'un est libellé « RA », et l'autre, « OA ».

- Fixer ensuite 1 vis M4x12 (élément 14) sur le support de l'humidificateur. N'insérer la vis qu'aux 2/3 de son filet. Monter l'actionneur sur le support en rapprochant le support de l'arbre de l'humidificateur. La vis M4x12 permet de bloquer l'actionneur pour qu'il ne glisse pas en cours de modulation.
- Placer ensuite le collier dans l'arbre et verrouiller l'actionneur à l'aide d'une bague de retenue. Serrer fermement les écrous du collier à l'aide de la clé à mollette. Puisque le collier et la bague de retenue font partie intégrante de l'actionneur, vous pouvez trouver ces pièces à l'intérieur du boîtier de l'actionneur.



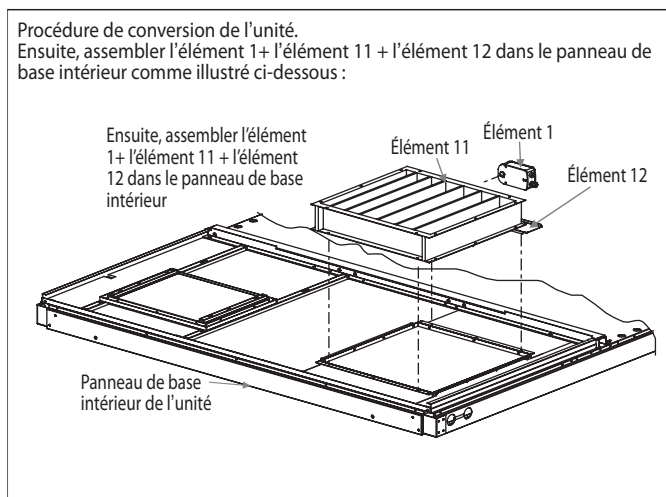
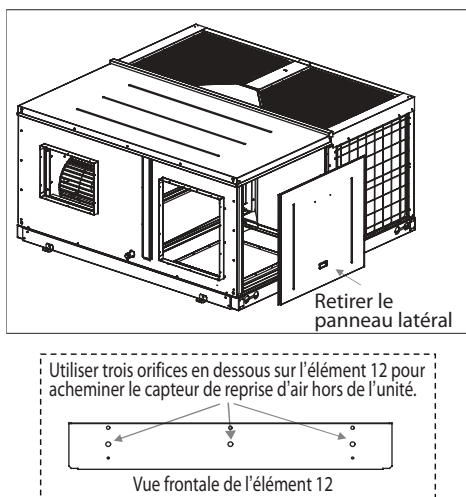
ÉTAPE 5

- Retirer le panneau latéral. Procéder à la conversion de l'unité standard à l'unité à flux descendant en suivant les étapes présentées dans la partie (G) du chapitre « INSTALLATION DE L'UNITÉ » de ce manuel.
- Installer ensuite l'humidificateur de retour (élément 11) + support (élément 12) de l'unité à flux descendant + actionneur Belimo LF24-SR (élément 1) déjà assemblés dans les étapes 3 et 4 dans le panneau de base intérieur de l'unité à l'aide des vis M5x16 (élément 13).



AVERTISSEMENT

Étendre le capteur d'air de retour qui se trouve à l'intérieur de l'unité (au sommet de d'admission d'air de retour) sur la surface extérieure de l'unité. Ceci peut se faire faisant passer le capteur par de petits orifices sur le support (élément 12) de l'unité à flux descendant. Le capteur est ensuite correctement placé à l'intérieur du conduit de reprise d'air à l'aide des attache-câbles (fourniture sur site). Sinon, cela peut affecter la performance de l'appareil et entraîner un inconfort thermique pour les utilisateurs. Pour les modèles ECON0700 et UATYQ700, l'acheminement du capteur peut se faire par le petit trou sur la bride métallique de la saillie de l'ouverture du retour d'air.



ÉTAPE 6

- Monter 1 actionneur Belimo LF24-SR (élément 1) sur le panneau latéral avec l'humidificateur d'air externe (élément 2). Aligner et insérer l'orifice de l'actionneur à l'arbre de l'humidificateur.



AVERTISSEMENT 1

Le réglage par défaut pour l'humidificateur d'air extérieur (élément 2) doit être totalement fermé. Veiller à ce que cet humidificateur soit en position « totalement fermée » avant de monter l'actionneur. Sinon, cela peut générer des erreurs en cours de fonctionnement normal de l'unité.

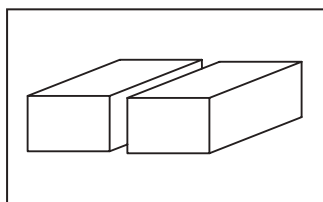


AVERTISSEMENT 2

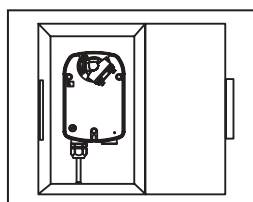
La surface de l'actionneur qui est orientée vers le bas/l'extérieur doit être libellée avec le symbole « R » pour assurer la rotation de la modulation de l'actionneur dans le sens inverse des aiguilles d'une montre. Sinon, cela peut générer des erreurs en cours de fonctionnement de l'unité avec la fonction de l'économiseur.

Remarque

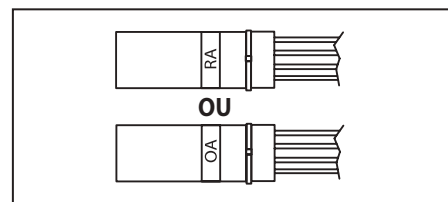
L'ensemble de l'économiseur compte 2 actionneurs Belimo LF24-SR (élément 1), livrés dans des caisses en carton. Ouvrir les caisses et repérer le libellé sur le câble. L'actionneur utilisé dans l'étape 6 est celui qui est libellé « OA ».



2 x l'élément 1 dans des caisses en carton.

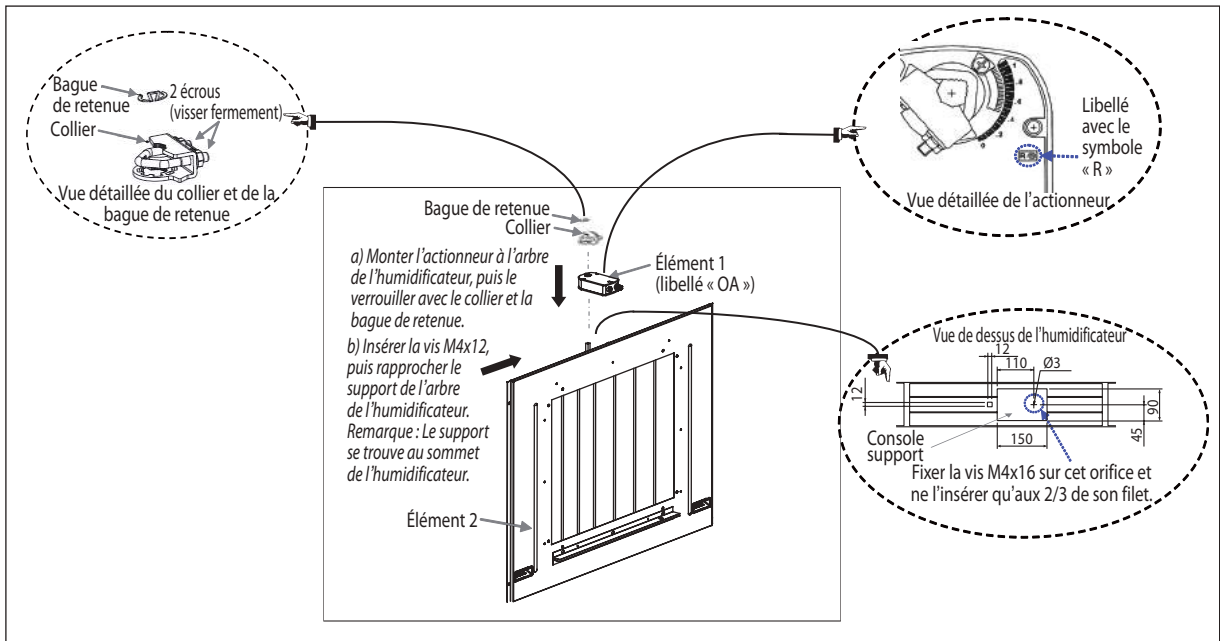


Ouvrir la caisse.



Repérer le libellé sur le câble. L'un est libellé « RA », et l'autre, « OA ».

- Fixer ensuite 1 vis M4x12 (élément 14) sur le support de l'humidificateur. N'insérer la vis qu'aux 2/3 de son filet. Monter l'actionneur sur le support en rapprochant le support de l'arbre de l'humidificateur. La vis M4x12 permet de bloquer l'actionneur pour qu'il ne glisse pas en cours de modulation.
- Placer ensuite le collier dans l'arbre et verrouiller l'actionneur à l'aide d'une bague de retenue. Serrer fermement les écrous du collier à l'aide de la clé à mollette. Puisque le collier et la bague de retenue font partie intégrante de l'actionneur, vous pouvez trouver ces pièces à l'intérieur du boîtier de l'actionneur.



ÉTAPE 7

- Connecter l'actionneur Belimo LF24- SR (élément 1) avec le libellé « RA », qui se trouve maintenant au niveau de l'humidificateur de l'assemblage sur le panneau frontal du bornier avec le libellé « RA » à l'intérieur de la boîte de jonction.
- Il y a quatre câbles sur l'actionneur avec différentes couleurs (noir, rouge, vert et blanc). Connecter les câbles comme décrit ci-dessous :

- Câble noir - connecter le premier pôle du bornier libellé « GND ».
 - Câble rouge - connecter le deuxième pôle du bornier libellé « +24 V ».
 - Câble vert - connecter le troisième pôle du bornier libellé « DCV ».
 - Câble blanc - connecter le quatrième pôle du bornier libellé « FB ».
- (Vous pouvez vous référer au schéma de câblage qui se trouve sur le couvercle avant de la boîte de jonction.)

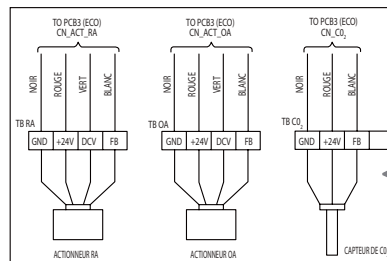


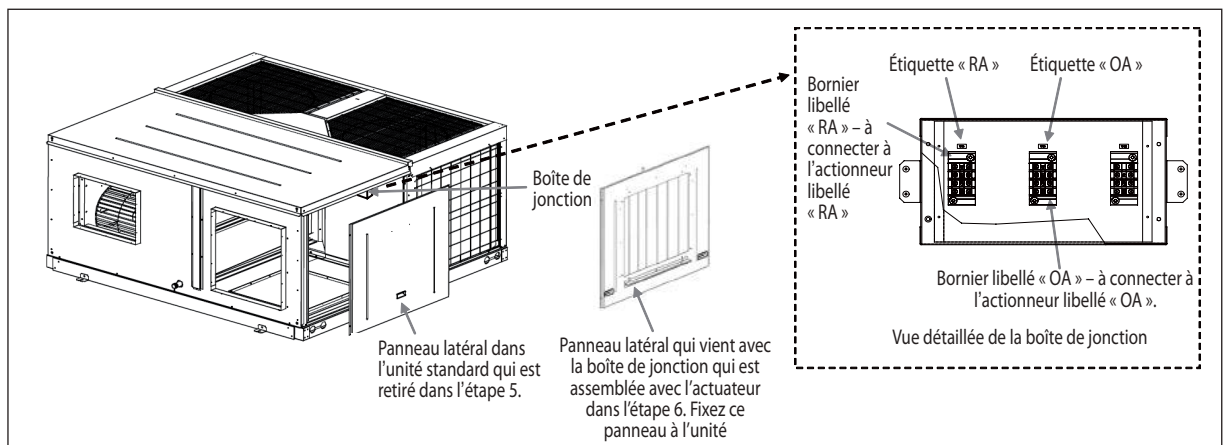
Schéma de câblage sur le couvercle avant de la boîte de jonction



AVERTISSEMENT

Une mauvaise connexion des câblages peut entraîner le dysfonctionnement de l'actionneur ou du panneau de commande de l'économiseur ou des deux. Attacher les câbles avec des attache-câbles libérables en dessous de la boîte de jonction.

- Connecter ensuite l'actionneur Belimo, LF24-SR (élément 1) libellé « OA », qui se trouve maintenant au niveau de l'humidificateur de l'assemblage sur le panneau latéral du bornier libellé « OA » à l'intérieur de la même boîte de jonction. Suivre la même méthode utilisée pour la connexion des câbles entre l'actionneur libellé « RA » et le bornier libellé « RA ». Fixer ensuite le panneau latéral sur l'unité. Il se peut que vous deviez effectuer une disposition appropriée sur les câbles de l'actionneur à l'aide d'attache-câbles (fourniture sur site) avant de fixer le panneau latéral sur l'unité.

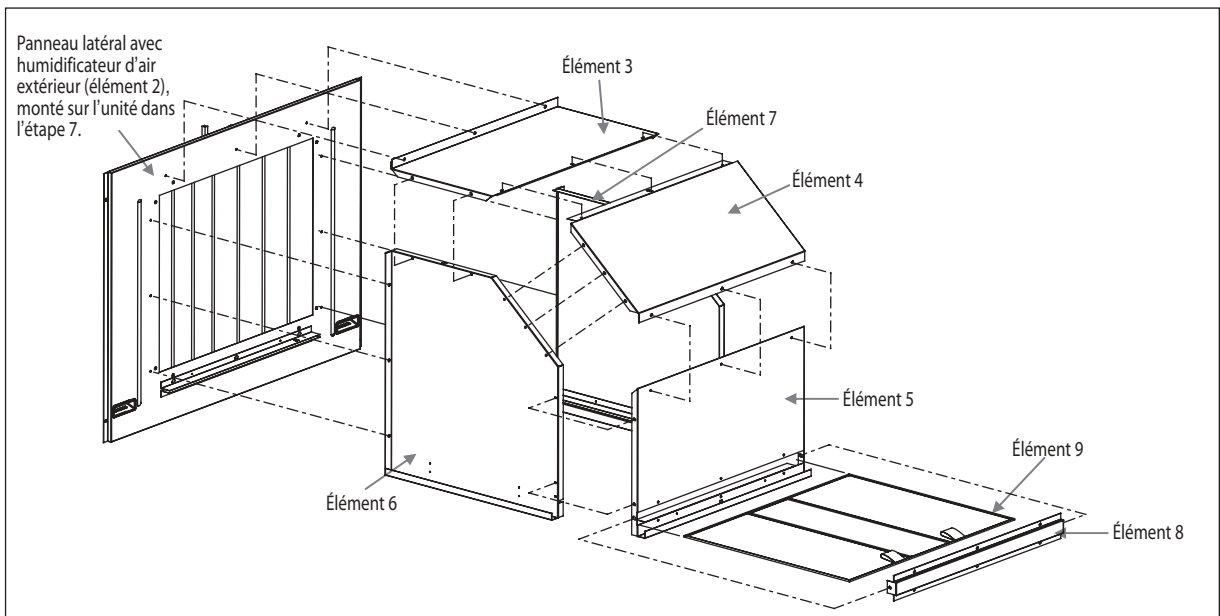


ÉTAPE 8

- Pour construire le capot de protection contre la pluie, installer les pièces libres (pièces métalliques) sur le panneau latéral. Au préalable, placer le joint (fourniture sur site) sur le panneau latéral pour l'étanchéité.
- Ensuite, suivre la séquence d'installation ci-dessous pour assembler le capot de protection contre la pluie :

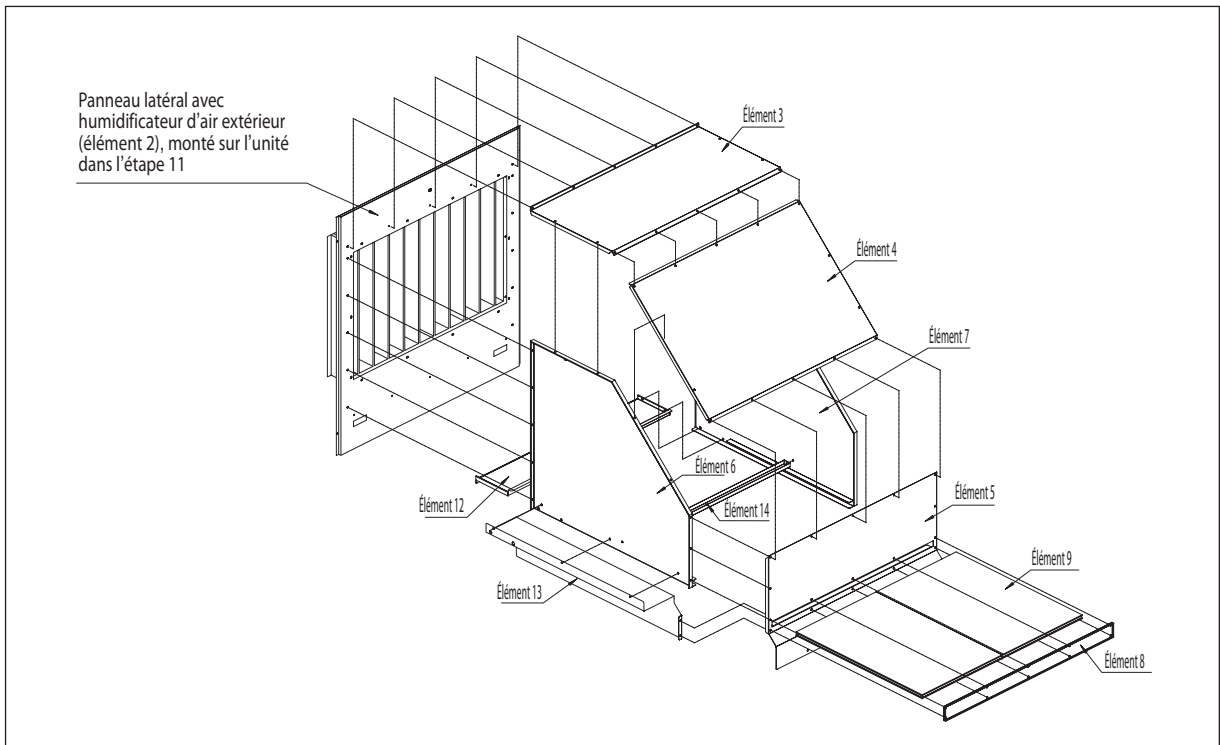
Modèle : UATYQ 250, 350, 450, 550, 600, 700

Élément 2 ^{Vis} -----> Élément 6 -----> Élément 7 -----> Élément 3 -----> Élément 4 -----> Élément 5 -----> Élément 9 -----> Élément 8 -----> Dispositif d'étanchéité



Modèle : UATYQ 900

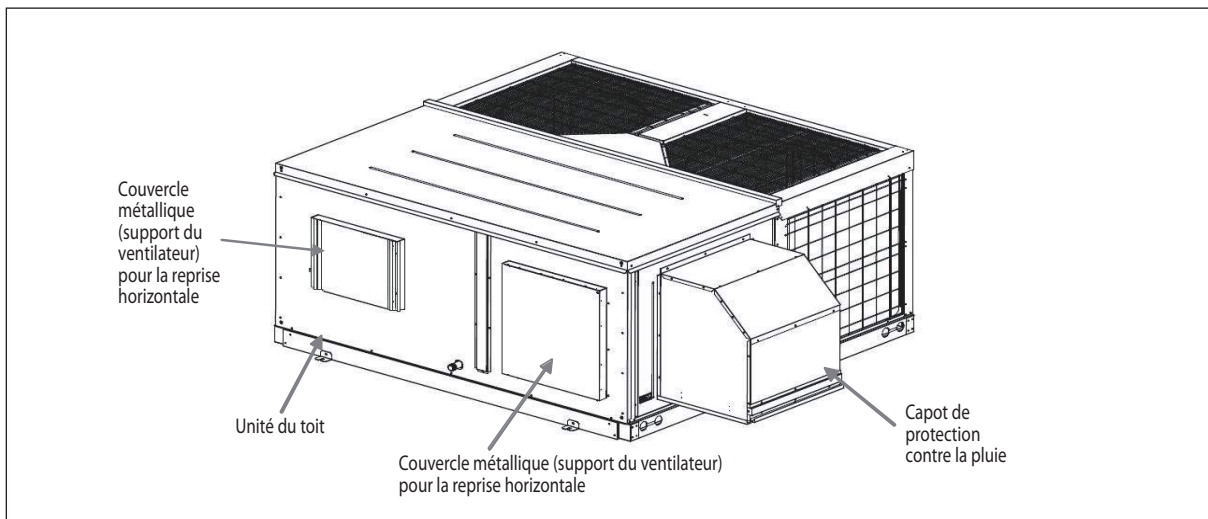
Élément 2 ^{Vis} -----> Élément 6 -----> Élément 7 -----> Élément 12 -----> Élément 14 -----> Élément 5 -----> Élément 4 -----> Élément 3 -----> Élément 13 -----> Élément 9 -----> Élément 8 -----> Dispositif d'étanchéité



- Il est conseillé de sceller tous les joints et les espaces avec un dispositif d'étanchéité aux intempéries (comme du silicone, un élément fourni sur le site) afin d'assurer un fini étanche à l'eau du capot de protection contre la pluie.

ÉTAPE 9 & ÉTAPE 10 (pour le modèle UATYQ900 uniquement).

- Pour finir, vous pouvez voir l'unité avec l'ensemble de l'économiseur selon l'illustration dans le schéma suivant :
- Lorsqu'une courbe de toit est requise pour l'application à flux descendant, se référer aux recommandations données dans la partie (C) du chapitre « INSTALLATION DE L'UNITÉ » de ce manuel.



Remarque

Unité illustrée dans les schémas de l'étape 1 à l'étape 9 concernant l'UATYQ350. La même méthode est à utiliser pour les autres modèles.

Unité illustrée dans les schémas de l'étape 1 à l'étape 10 concernant l'UATYQ900. La même méthode est à utiliser pour les autres modèles.

E Mise en service

(i) Résistance à l'écoulement d'air

La résistance à l'écoulement d'air désigne la chute de pression due à l'ensemble de l'économiseur. Avant l'installation, il est conseillé de contrôler le tableau des chutes de pression qui est fourni dans le recueil des données d'ingénierie afin d'effectuer une sélection de conception correcte.

(ii) Réglage des performances

La valeur des performances nominales de l'appareil sera réduite lorsque l'appareil fonctionne en mode d'air frais, selon la sélection de l'utilisateur. Avant l'installation, il est conseillé de contrôler le tableau des facteurs de correction qui est fourni dans le recueil des données d'ingénierie afin d'effectuer une sélection de conception correcte.

(iii) Sélection du mode

En général, l'ensemble propose deux sélections de modes : le mode Économiseur et le mode Air frais.

- Mode Économiseur : refroidissement « libre », lorsque la température de l'air et l'humidité à l'extérieur sont adaptées, seul ou en conjonction avec un dispositif de refroidissement mécanique.
- Mode Air frais : apport de l'air frais minimal nécessaire pour la ventilation ou les conditions locales.

Remarque

Se référer aux lignes directrices relatives au réglage matériel de la partie (D) (v) du chapitre « GUIDE D'OPÉRATION DES COMMANDES » de ce manuel pour l'activation du réglage de protection contre un refroidissement excessif.

(iv) Sélection de l'air frais minimal

L'ensemble offre une sélection d'air frais minimal de 0 ~ 25% pour les modes froid et chaud. Tandis que le mode Économiseur et le mode Ventilateur peuvent fournir jusqu'à un maximum de 85% d'air frais.

Remarque

Se référer aux lignes directrices relatives au réglage matériel de la partie (D) (v) du chapitre « GUIDE D'OPÉRATION DES COMMANDES » de ce manuel pour l'activation du réglage de protection contre un refroidissement excessif

(v) Fonction de protection contre un refroidissement excessif

Un inconfort thermique peut survenir en cours d'ambiance froide en raison de l'ouverture de l'humidificateur d'air extérieur. Cette situation peut être évitée quand la fonction de protection contre un refroidissement excessif est activée.

Remarque

Se référer aux lignes directrices relatives au réglage matériel de la partie (D) (v) du chapitre « GUIDE D'OPÉRATION DES COMMANDES » de ce manuel pour l'activation du réglage de protection contre un refroidissement excessif.

(vi) Plage de fonctionnement

La plage de fonctionnement applicable pour l'unité avec l'économiseur fonctionne comme sur l'unité normale. Référez-vous au chapitre « PLAGE DE FONCTIONNEMENT » de ce manuel.

Toutefois, la restriction de l'admission d'air frais se produira à une température ambiante élevée ou basse afin d'assurer la fiabilité de l'unité. Référez-vous au recueil des données d'ingénierie pour des informations détaillées.



AVERTISSEMENT

Les performances seront réduites à une température ambiante élevée ou basse, référez-vous à l'élément (E) (ii).

(vii) Filtre à air Facultative

Il y a une fente de filtre de 2 po. à l'intérieur de l'unité. Un filtre optionnel (fourni sur site) est recommandé pour un deuxième filtrage de couche puisque l'ouverture de l'humidificateur d'air extérieur peut laisser entrer de la poussière et de la saleté.

F Entretien et maintenance

(i) Entretien du filtre

La résistance à l'écoulement d'air peut augmenter lorsque le filtre s'encrasse. Ainsi, nettoyer le filtre régulièrement, au moins une fois toutes les 2 semaines. Le filtre à air dans le capot de protection contre la pluie est exposé à l'environnement extérieur et risque d'être endommagé par des ravageurs ou des animaux. Remplacer le filtre à air lorsqu'il est endommagé.

(ii) Entretien du compartiment d'intérieur

L'ouverture de l'humidificateur d'air extérieur peut encore laisser entrer de la poussière et de la saleté, car le filtre du capot de protection ne peut pas totalement filtrer les particules de saleté. Ainsi, le compartiment intérieur doit être également nettoyé lors d'une procédure d'entretien du filtre.

(iii) Entretien de l'humidificateur

Essuyer la saleté de l'humidificateur, particulièrement l'humidificateur d'air extérieur qui est exposé à l'environnement extérieur en permanence.

Remarque

Référez-vous au chapitre « ENTRETIEN ET MAINTENANCE » de ce manuel.

G Contrôle de la ventilation

- Une technique pour réduire la consommation énergétique tout en maintenant une qualité d'air adéquate consiste à contrôler la ventilation. Au lieu de régler à un taux de remplacement d'air fixe, le capteur de dioxyde de carbone (Capteur de CO₂) est utilisé pour contrôler le taux de manière dynamique, en fonction des émissions des occupants réels du bâtiment.
- Le capteur de CO₂ est un composant en option fourni sur le site. Référez-vous aux informations ci-dessous pour les recommandations concernant la sélection du capteur de CO₂ :

- Type : Type monté sur conduit
- Puissance consommée : 24 V CC, 50 Hz
- Plage de températures de fonctionnement : 0 ~ 52°C
- Plage de températures ambiantes : - 15 ~ 52°C
- Plage de mesures : 0 ~ 5 000 PPM (en fonction de l'application)
- Tension de sortie : 2 ~ 10 V CC
- Taille de câble : AWG18
- Courant maximal permissible : 7 A
- Normes de conformité : suivre les réglementations locales et nationales

- Le contrôleur de l'économiseur est fourni avec un logiciel intégré qui est déjà équipé d'un capteur de CO₂. Il est activé en mode Économiseur uniquement. L'utilisateur peut choisir la sélection de valeur minimale différente via l'interrupteur Dip 3. Référez-vous aux lignes directrices relatives au réglage matériel de la partie (D) (v) du chapitre « GUIDE D'OPÉRATION DES COMMANDES » de ce manuel pour la sélection de la valeur minimale du niveau de CO₂ en PPM.

Exemple : pour utiliser un capteur de CO₂ avec une plage de mesures de 0 ~ 5 000 PPM avec la valeur minimale à 1 250 PPM, l'utilisateur doit suivre les étapes ci-dessous :-

Étape 1 : Activer SW4 dans le commutateur Dip seulement du tableau principal de commande en position ON (le paramètre d'usine par défaut est la position OFF).

Étape 2 : Activer le paramètre du panneau G6 (commande de l'économiseur) dans la télécommande en position '1' (ON) (le paramètre d'usine par défaut est la position '0' (OFF)).

Étape 3 : Veiller à ce que SW2 dans le commutateur Dip 4 (tableau de commande de l'économiseur) soit en position OFF (le paramètre d'usine par défaut est la position OFF).

Étape 4 : Activer SW1 dans le commutateur Dip 3 (tableau de commande de l'économiseur) en position ON (le paramètre d'usine par défaut est la position OFF).

{ SW1 dans le commutateur Dip 3 = 25%, cela signifie un calcul de 25% de 5 000 PPM, soit 1 250 PPM }.

- Si le capteur de CO₂ est exposé à l'environnement extérieur, couvrez le capteur d'un capot de protection anti-éclaboussures (IPX4) avec la vis comme mécanisme de verrouillage ou une méthode analogue afin d'empêcher l'eau de pénétrer dans le capteur de CO₂ et également d'éviter tout contact possible avec le capteur. Le raccordement du capteur de CO₂ est considéré comme une pièce SOUS TENSION.
- Ensuite, connecter le câble depuis le capteur de CO₂ à la boîte de jonction dans le compartiment interne de l'unité. Il y a trois câbles sur le capteur de CO₂. Connecter les câbles comme décrit ci-dessous :

Câble de mise à la terre du système - connecter le premier pôle du bornier libellé « GND ».

Câble sous tension + 24 V CC - connecter le deuxième pôle du bornier libellé « +24 V ».

Câble du signal de sortie/retour - connecter le troisième pôle du bornier libellé « FB ».

(Vous pouvez vous référer au schéma de câblage qui se trouve sur le couvercle avant de la boîte de jonction.)

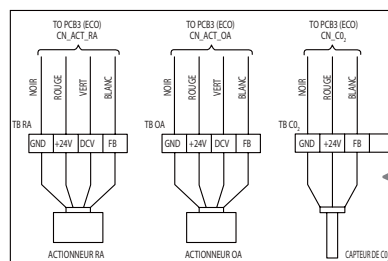
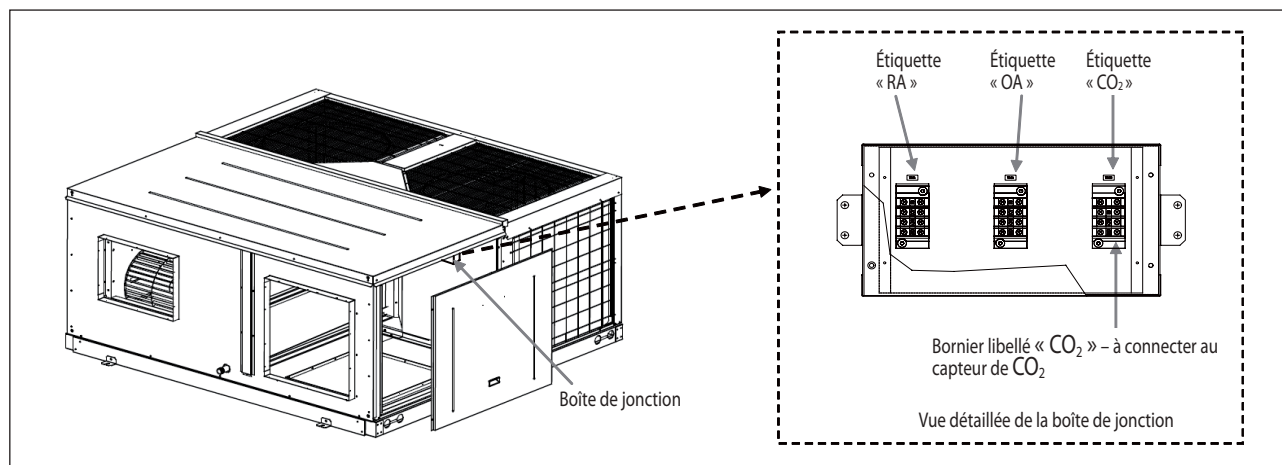


Schéma de câblage sur le couvercle avant de la boîte de jonction



AVERTISSEMENT

Une mauvaise connexion des câblages peut entraîner un dysfonctionnement du capteur de CO₂, du panneau de commande de l'économiseur ou des deux. Attacher les câbles avec des attache-câbles libérables en dessous de la boîte de jonction.



(i) Limitation de l'ensemble de l'économiseur dans la commande du thermostat

La commande du thermostat est utilisée avec un contrôleur tiers et il n'est donc pas possible de connaître la température de réglage de l'application spécifique. Dans ce cas, il est conseillé d'utiliser la télécommande pour régler la température de réglage requise avant de procéder au réglage matériel pour la commande du thermostat.

Remarque

Référez-vous aux lignes directrices relatives au réglage matériel de la partie (D) (v) du chapitre « GUIDE D'OPÉRATION DES COMMANDES » de ce manuel pour la sélection du mode.

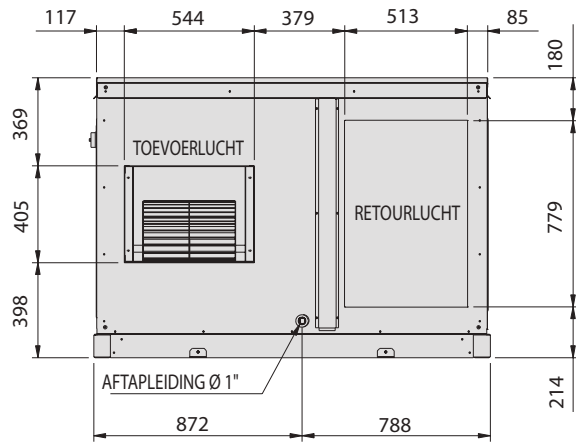
(ii) Nécessaire pour la décharge de pression

La présence d'air frais peut générer une augmentation de la pression dans la pièce et un inconfort pour les utilisateurs. Le cas échéant, il est conseillé d'installer un humidificateur à décharge de pression dans le conduit de reprise.

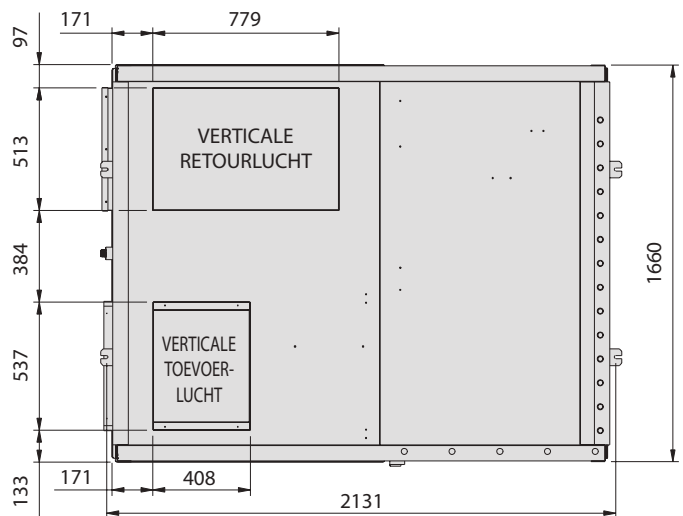
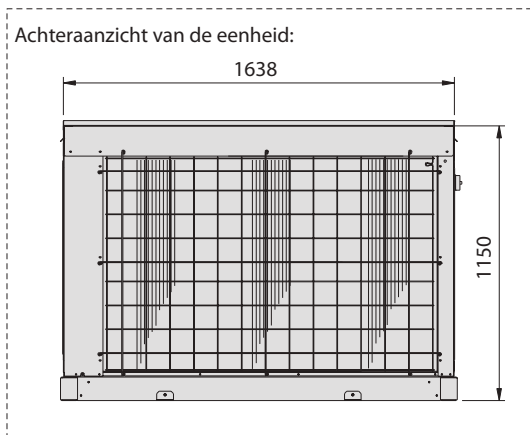
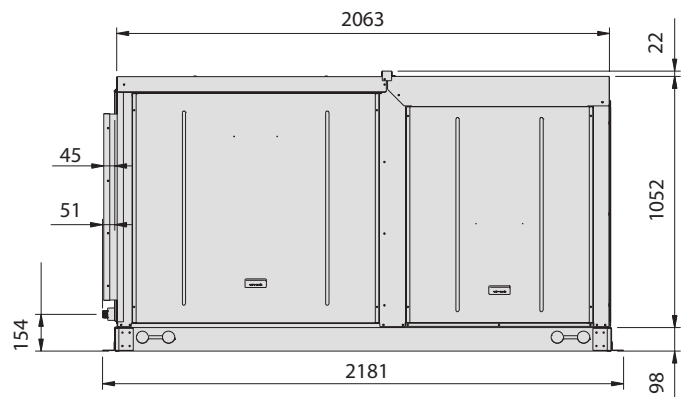
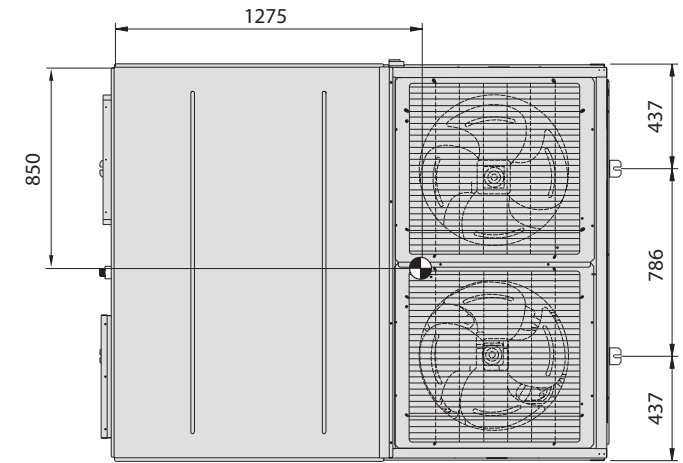
SCHETSMATIGE WEERGAVE EN AFMETINGEN

Model: UATYQ250

Alle afmetingen zijn in mm



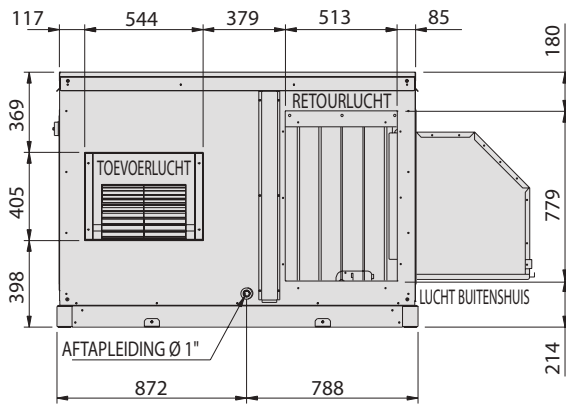
VOOR HORIZONTALE UITSTOOT



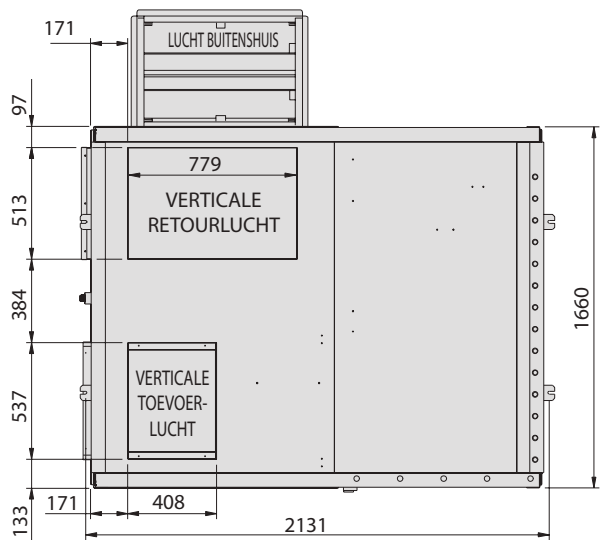
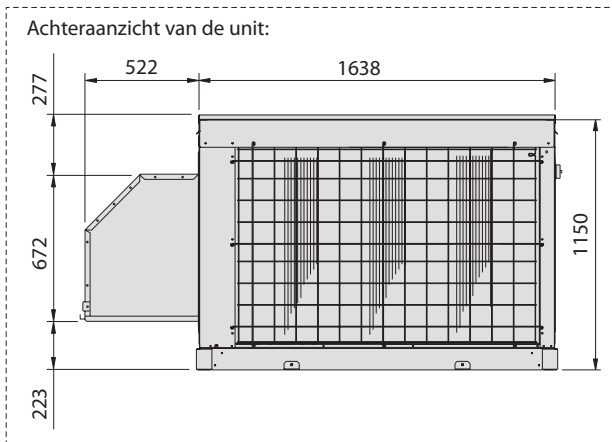
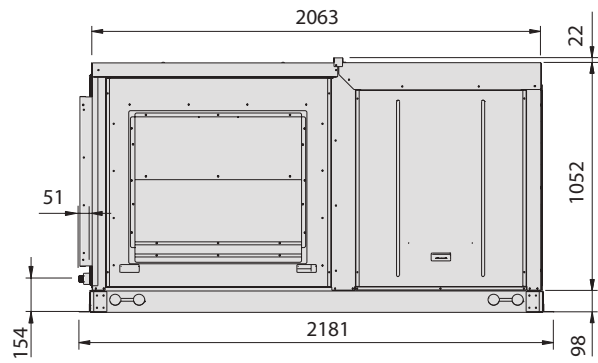
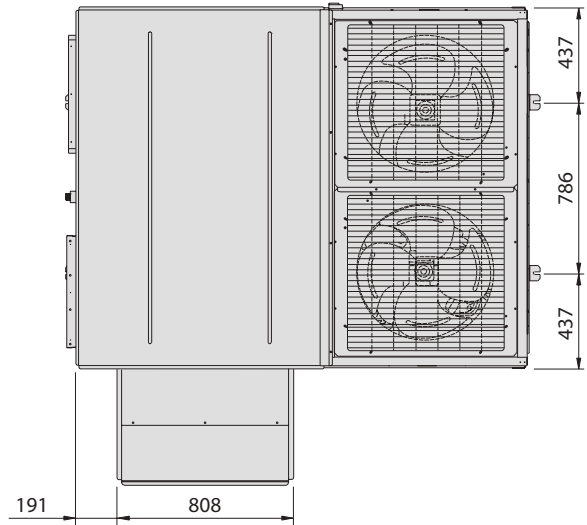
VOOR VERTICALE UITSTOOT

Model: UATYQ250 MET MOGELIJKHEID VAN ZUINIG WERKEN

Alle afmetingen zijn in mm

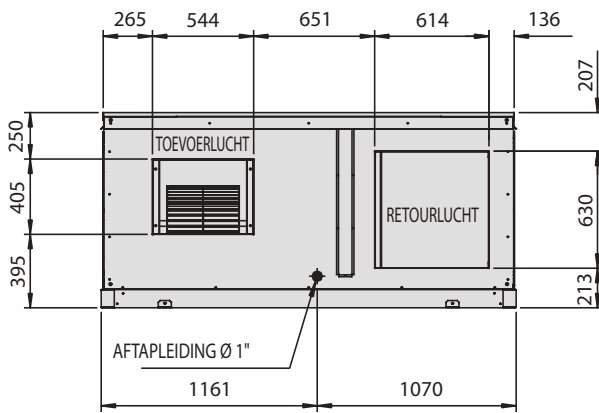
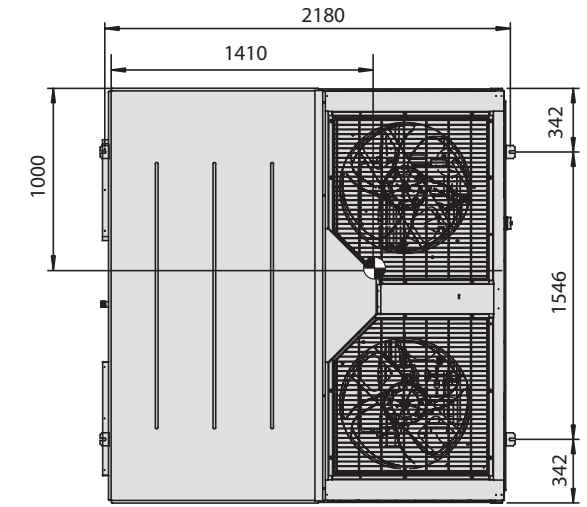


VOOR HORIZONTALE UITSTOOT

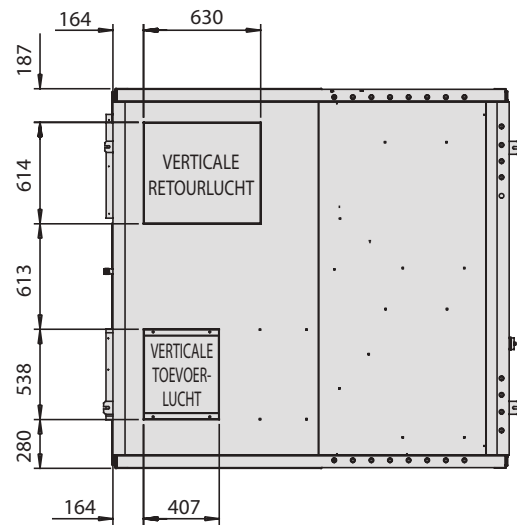
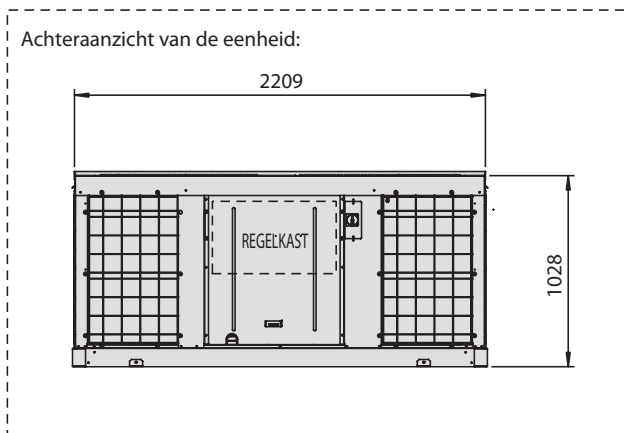
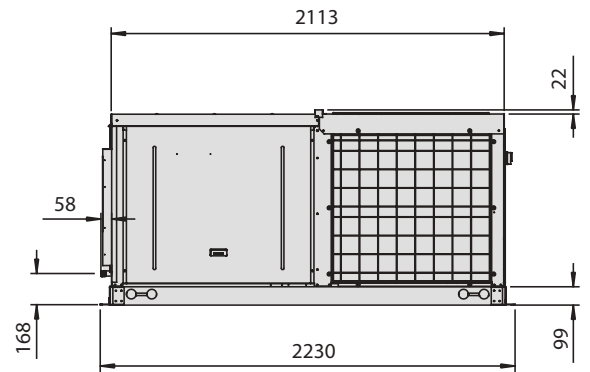


VOOR VERTICALE UITSTOOT

Alle afmetingen zijn in mm



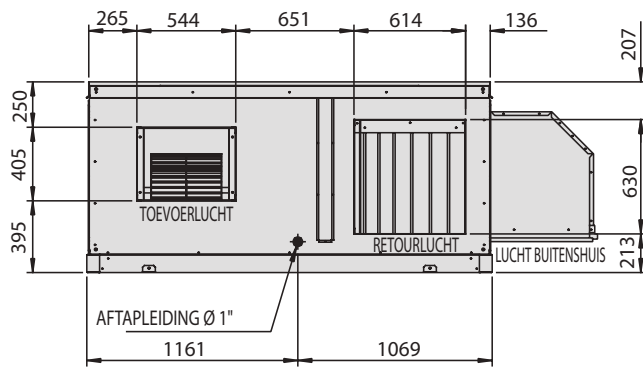
VOOR HORIZONTALE UITSTOOT



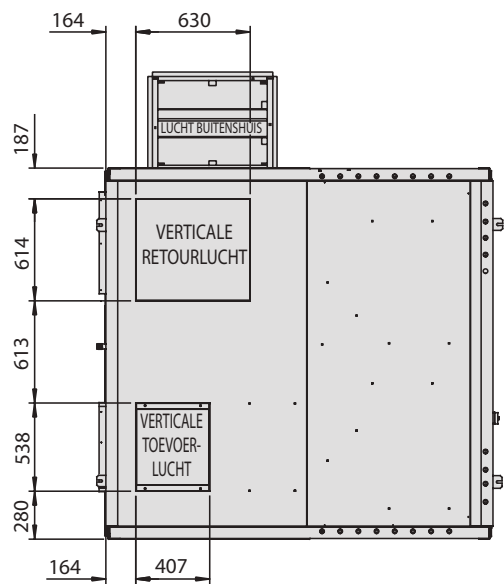
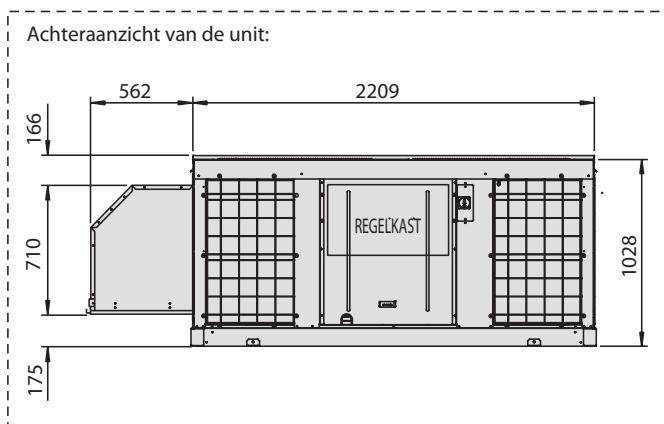
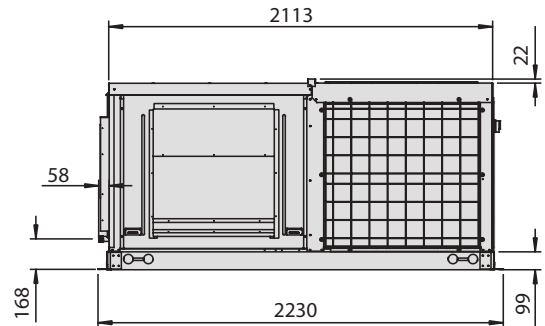
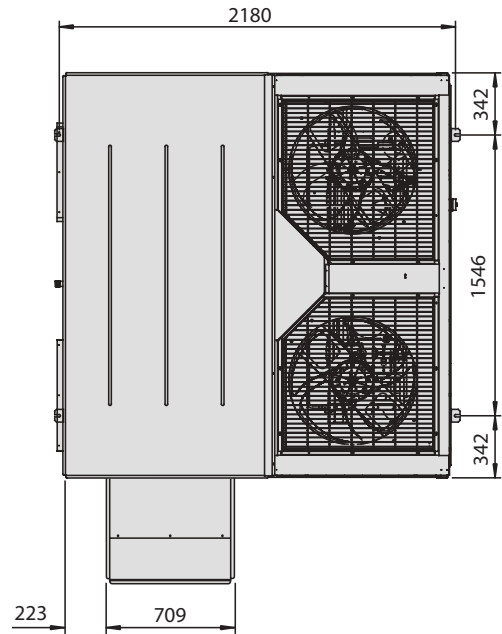
VOOR VERTICALE UITSTOOT

Model: UATYQ350 MET MOGELIJKHEID VAN ZUINIG WERKEN

Alle afmetingen zijn in mm

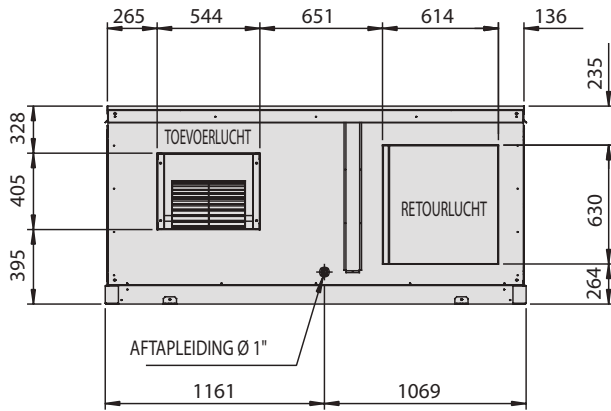


VOOR HORIZONTALE UITSTOOT

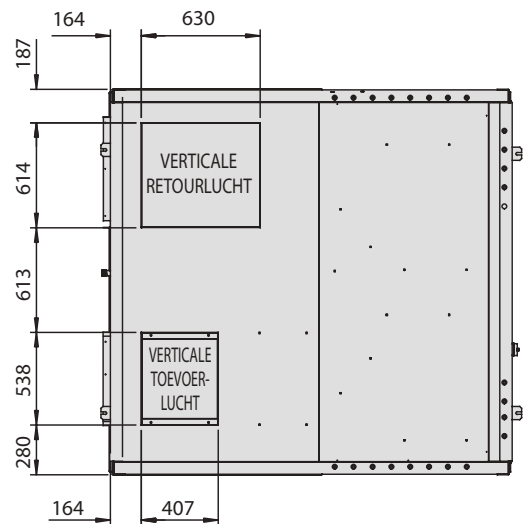
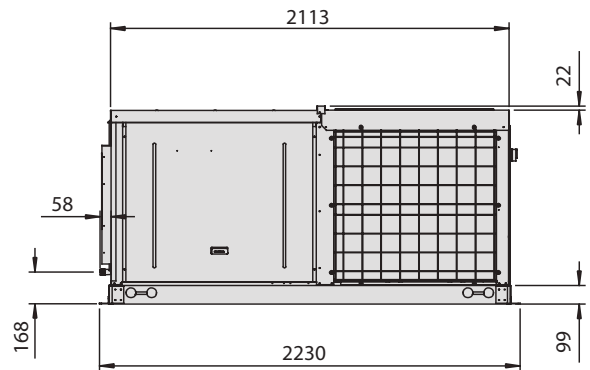
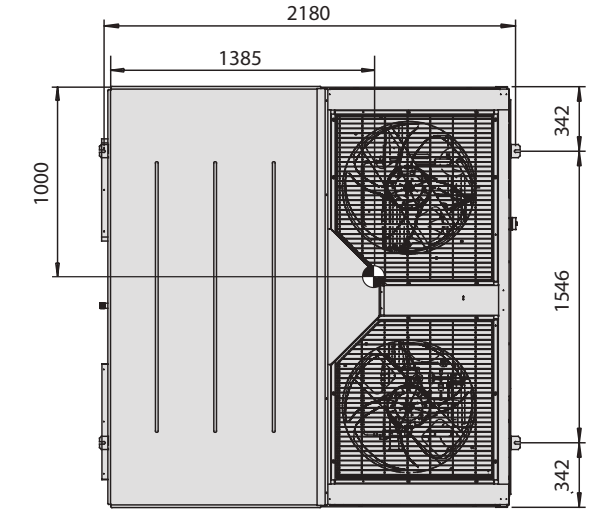
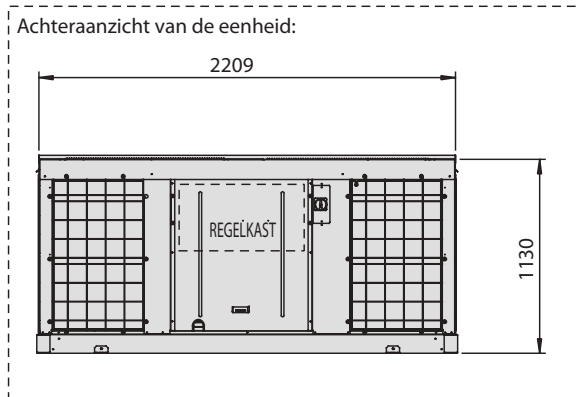


VOOR VERTICALE UITSTOOT

Alle afmetingen zijn in mm



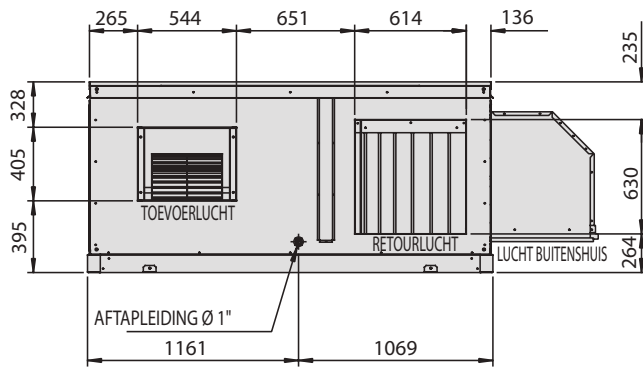
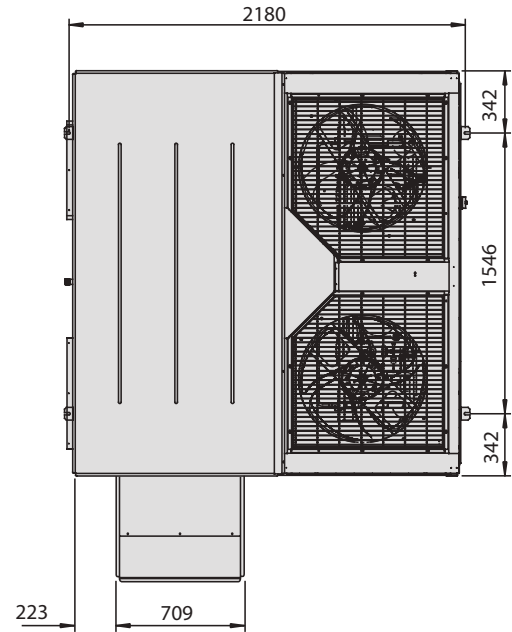
VOOR HORIZONTALE UITSTOOT



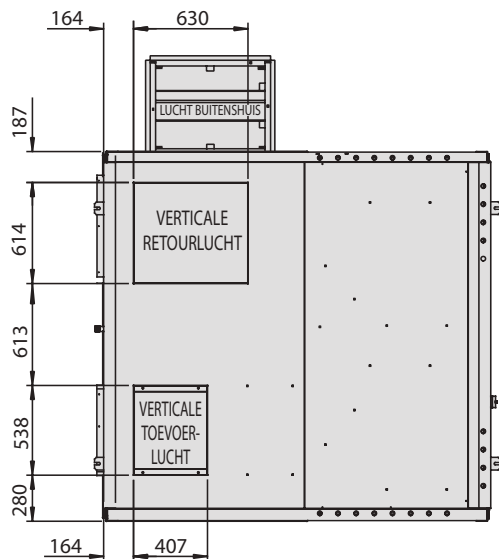
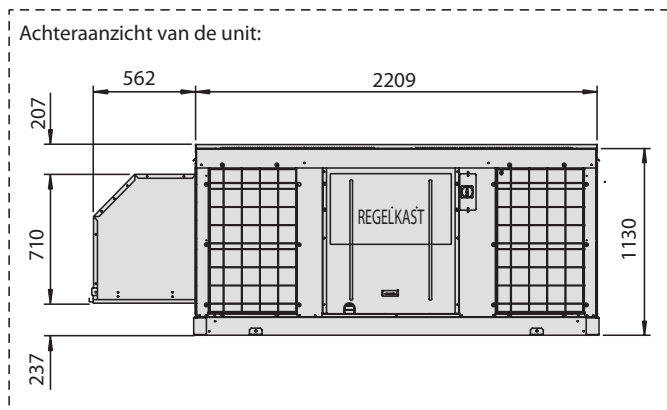
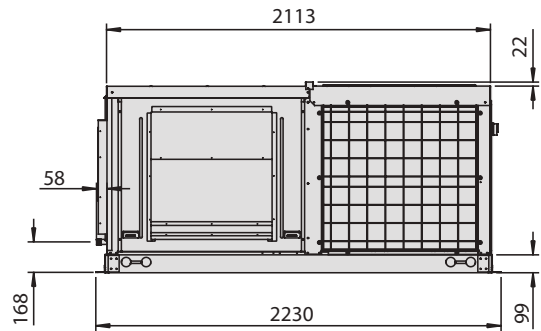
VOOR VERTICALE UITSTOOT

Model: UATYQ450 MET MOGELIJKHEID VAN ZUINIG WERKEN

Alle afmetingen zijn in mm

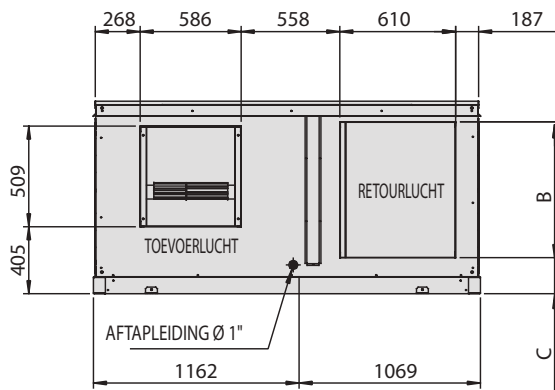
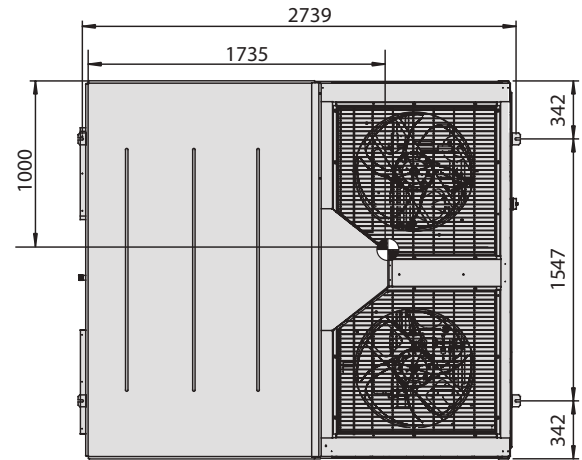


VOOR HORIZONTALE UITSTOOT

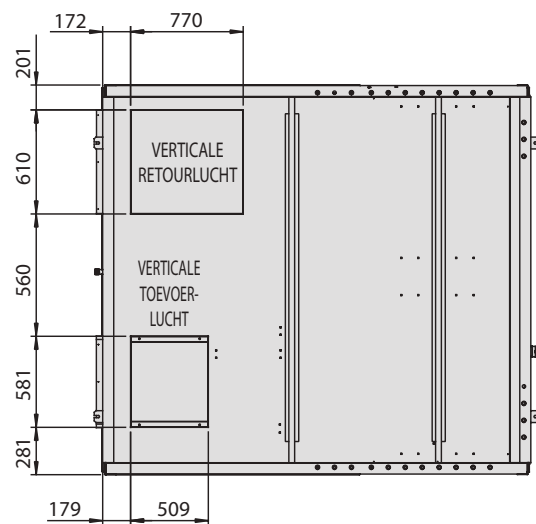
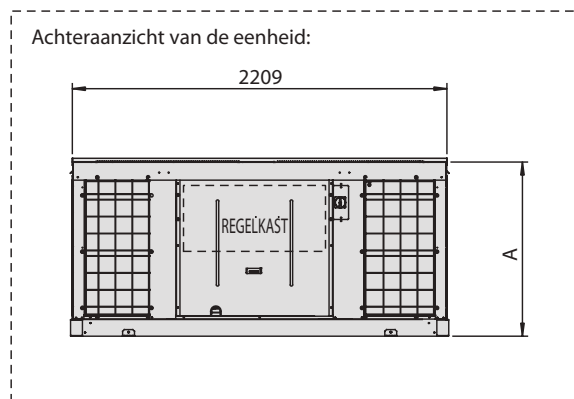
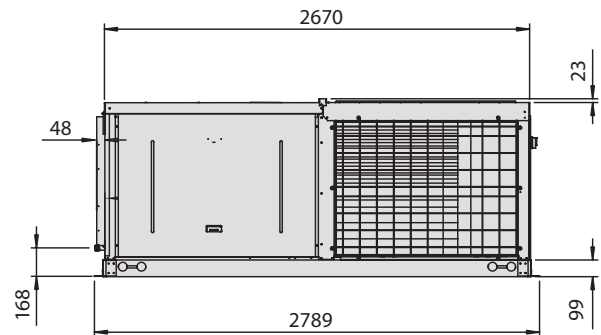


VOOR VERTICALE UITSTOOT

Alle afmetingen zijn in mm



VOOR HORIZONTALE UITSTOOT

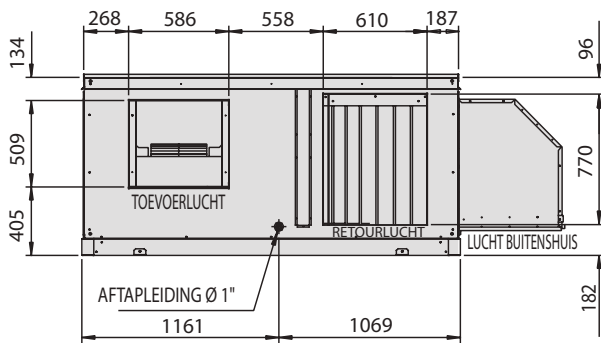
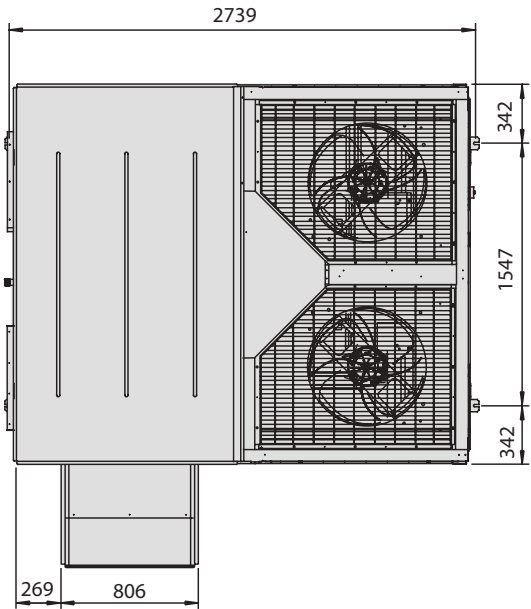


VOOR VERTICALE UITSTOOT

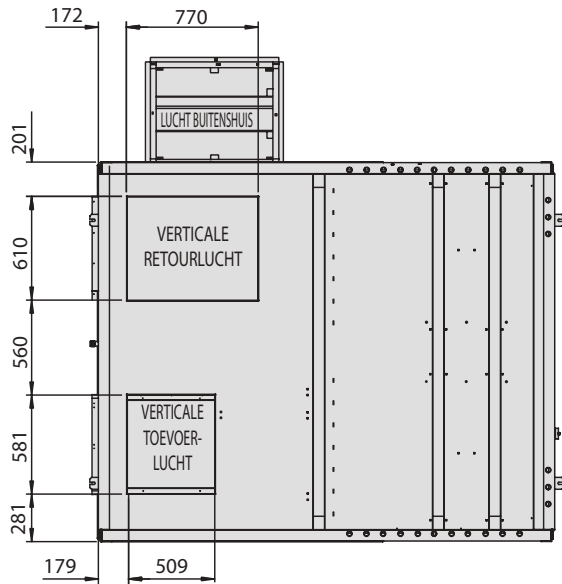
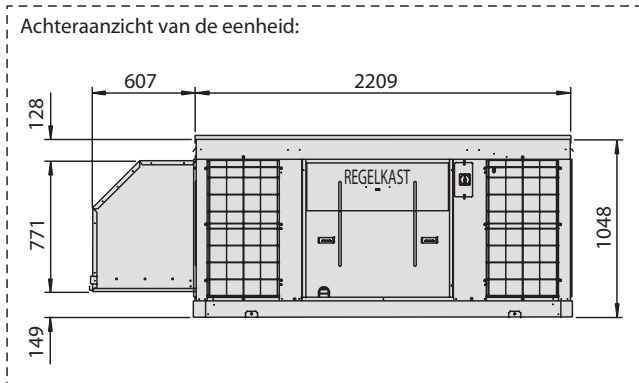
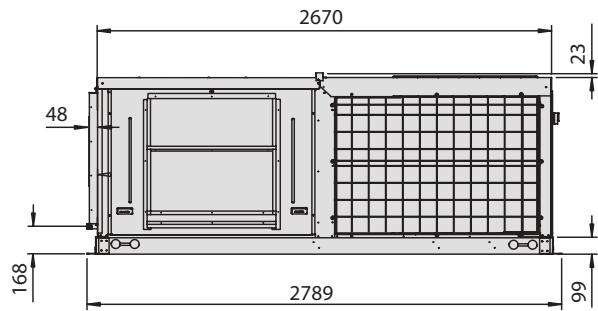
Model (UATYQ)	550	600	700	900
A	1048	1302	1454	1454
B	770	770	1176	1176
C	182	322	182	182

Model: UATYQ550 MET MOGELIJKHEID VAN ZUINIG WERKEN

Alle afmetingen zijn in mm



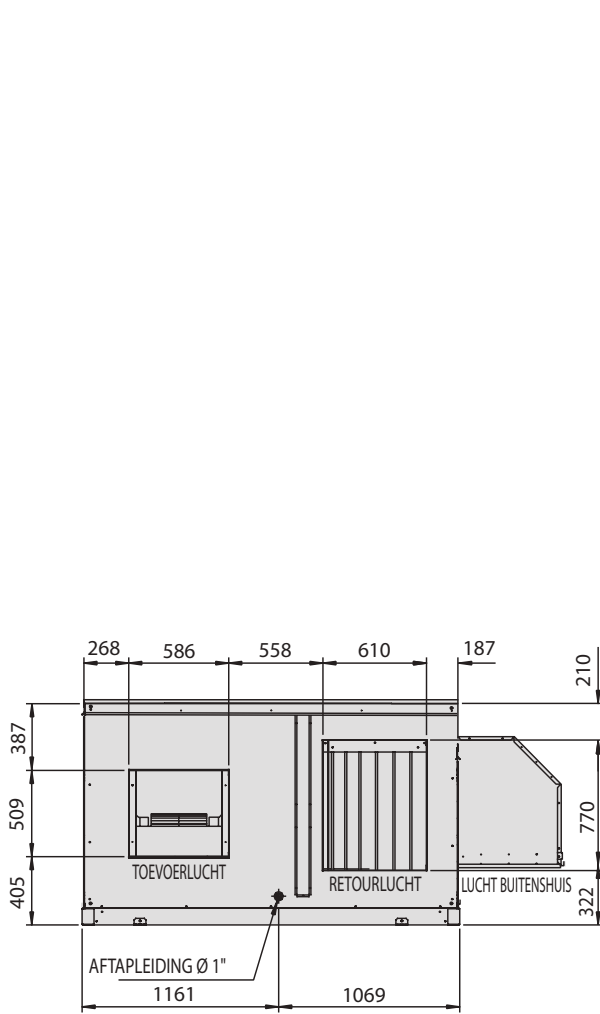
VOOR HORIZONTALE UITSTOOT



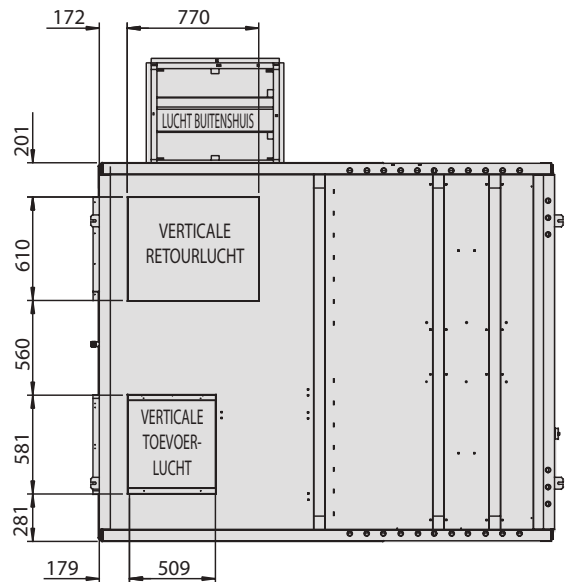
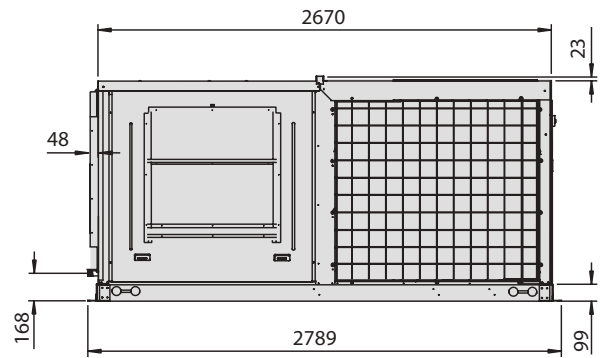
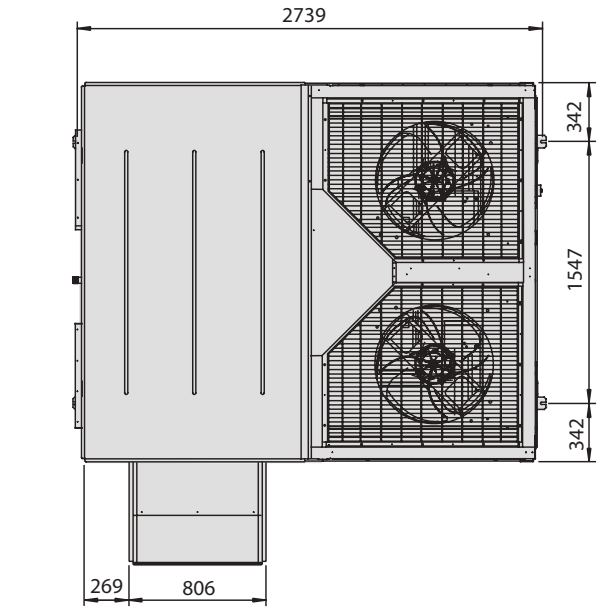
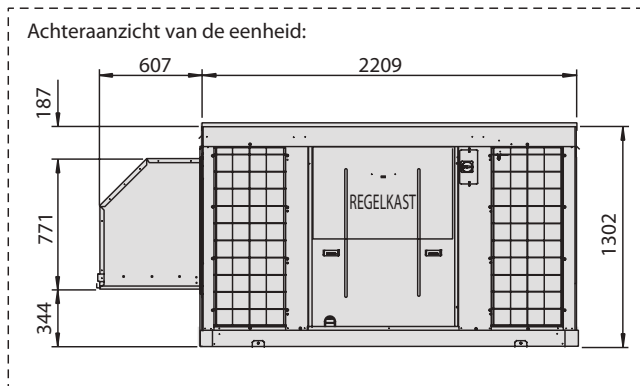
VOOR VERTICALE UITSTOOT

Model: UATYQ600 MET MOGELIJKHEID VAN ZUINIG WERKEN

Alle afmetingen zijn in mm



VOOR HORIZONTALE UITSTOOT

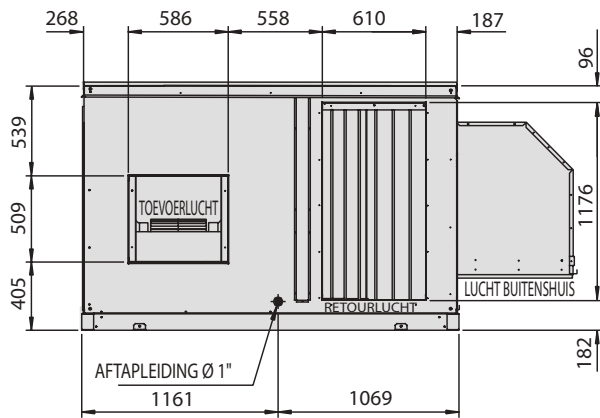
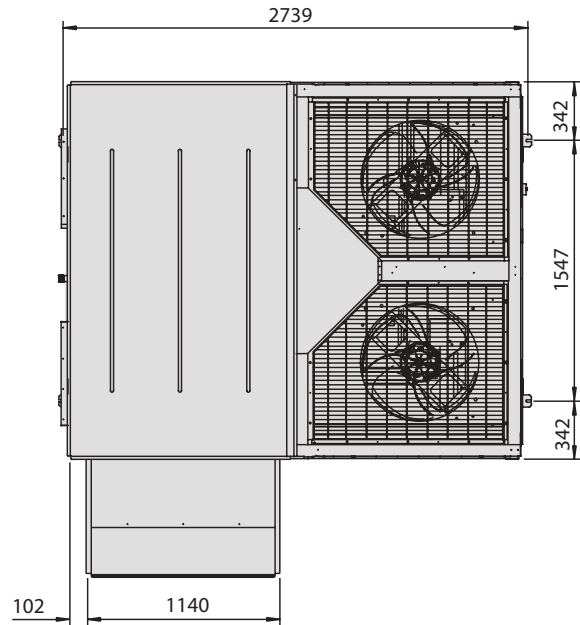


VOOR VERTICALE UITSTOOT

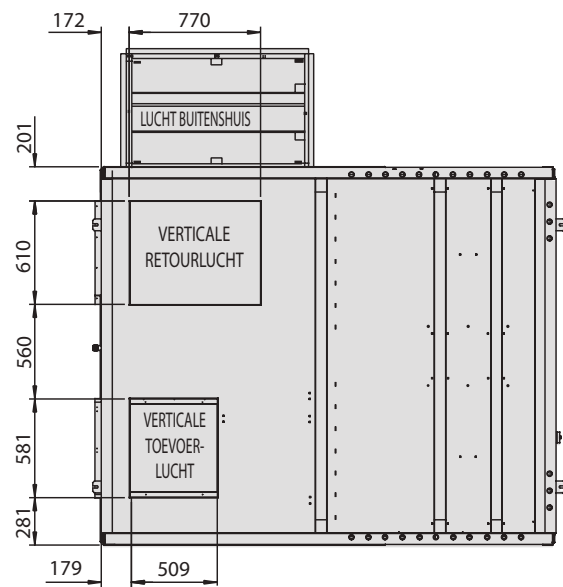
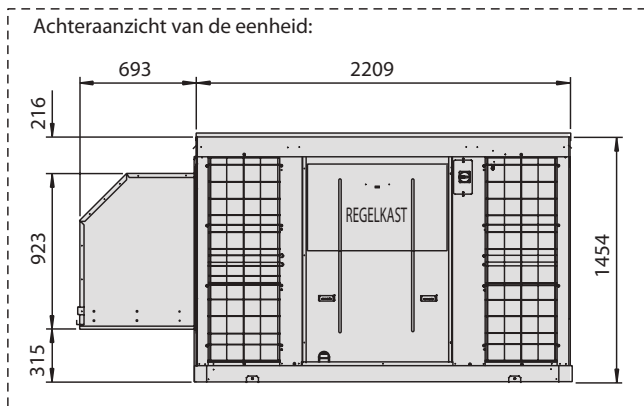
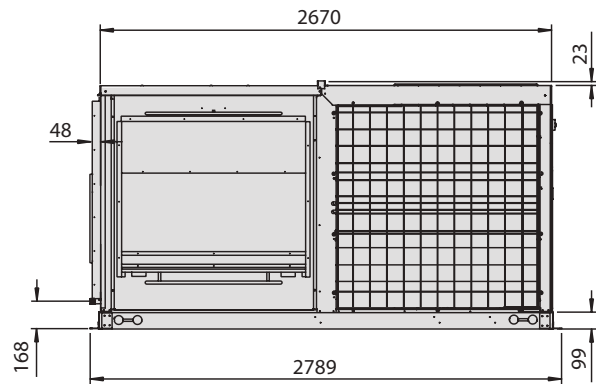
NEDERLANDS

Model: UATYQ700 MET MOGELIJKHEID VAN ZUINIG WERKEN

Alle afmetingen zijn in mm



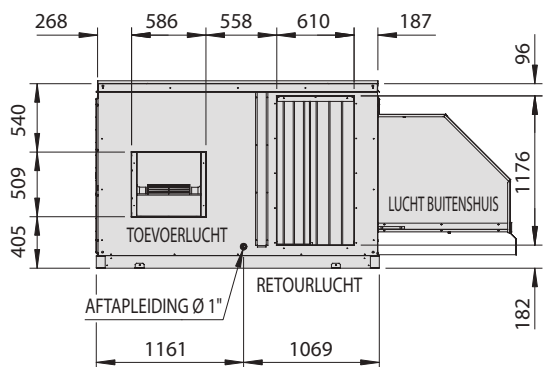
VOOR HORIZONTALE UITSTOOT



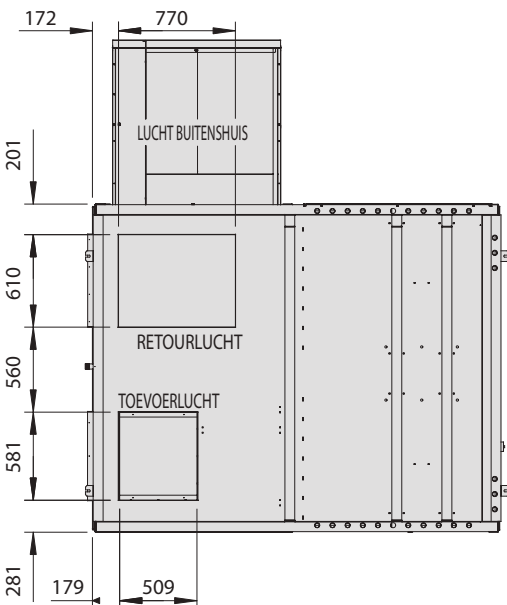
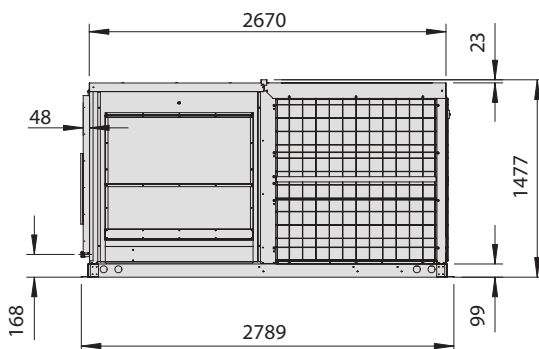
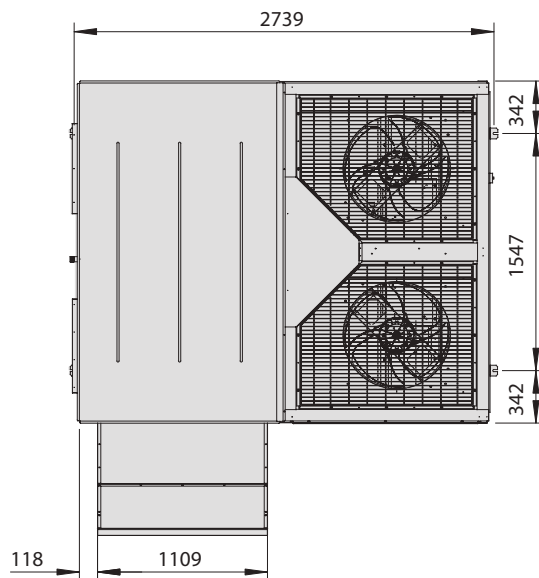
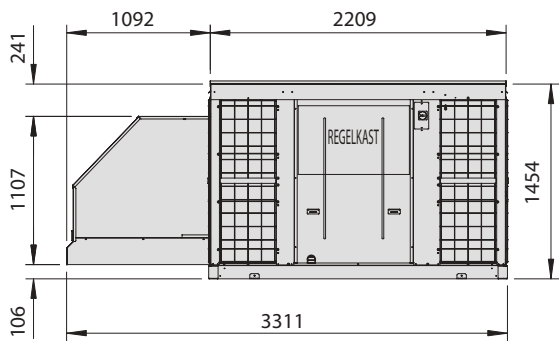
VOOR VERTICALE UITSTOOT

Model: UATYQ900 MET MOGELIJKHEID VAN ZUINIG WERKEN

Alle afmetingen zijn in mm



VOOR HORIZONTALE UITSTOOT

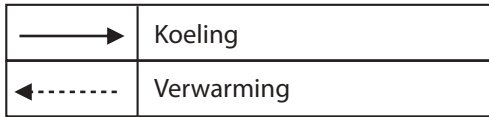


VOOR VERTICALE UITSTOOT

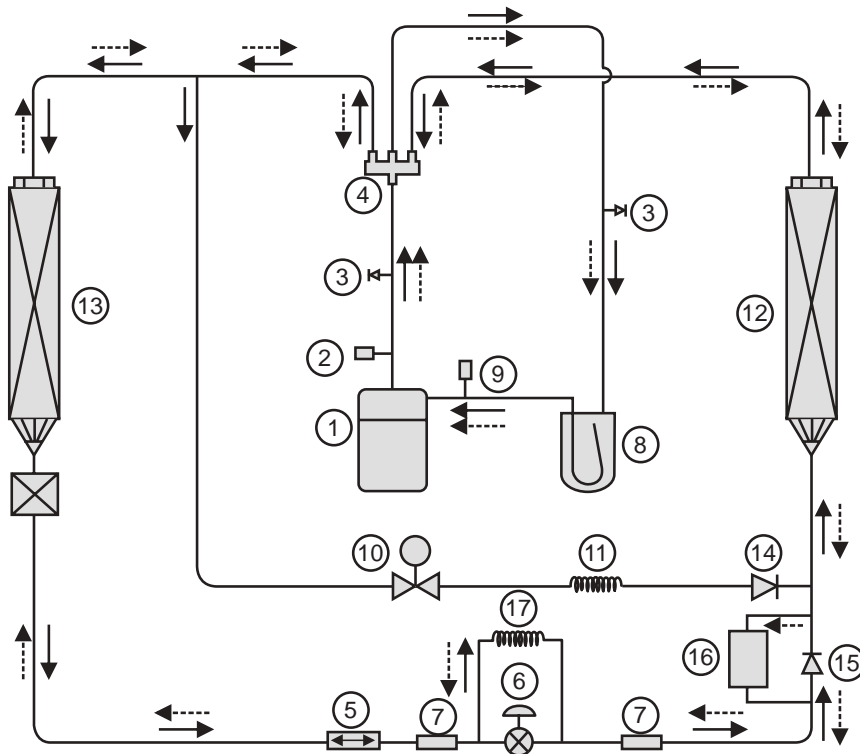
NEDERLANDS

SCHEMA KOELMIDDELCIRCUIT

Model: UATYQ 250, 350, 450, 550, 600, 700 & 900



Nr	Item-beschrijving
①	Compressor
②	Hogedrukschakelaar
③	Toegangsklep
④	4 - weg-klep
⑤	Filterdroger
⑥	Elektronische expansieklep
⑦	Zeef
⑧	Accumulator
⑨	Lagedrukschakelaar
⑩	Elektromagnetische klep
⑪	Capillairbuisje voor omleiding
⑫	Binnen-warmtewisselaar
⑬	Buiten-warmtewisselaar
⑭	Controleer klep 1
⑮	Controleer klep 2
⑯	Compensator
⑰	Capillaire Buis



Opmerking: (a) UATYQ350, 450, 550, 600, 700 & 900 bestaat uit 2 circuits in het systeem.
 (b) Item nr. 15 & 16 gelden alleen voor UATYQ350.
 (c) Item nr. 17 gelden alleen voor UATYQ700 & UATYQ900.

INSTALLATIEHANDLEIDING

Deze handleiding bevat de procedures van de installatie tot een veilige en goede kwaliteit van de bediening voor de airconditioning unit te garanderen.

Speciale correctie nodig zijn om lokale wensen.

Voordat u de airconditioner, lees deze handleiding zorgvuldig door en bewaar deze voor toekomstig gebruik.

Dit apparaat is bedoeld voor gebruik door ervaren of getrainde gebruikers in winkels, in de lichte industrie en op boerderijen, of voor commercieel gebruik door leken.

Dit apparaat is niet bedoeld voor gebruik door personen, inclusief kinderen, met verminderde lichamelijke, zintuiglijke of geestelijke vermogens, of gebrek aan ervaring en kennis, tenzij ze onder toezicht staan of worden geïnstrueerd over het gebruik van het apparaat door een persoon die verantwoordelijk is voor hun veiligheid.

Kinderen moeten onder toezicht staan om ervoor te zorgen dat ze niet met het apparaat spelen.

VOORZORGSMAATREGELEN VOOR EEN VEILIG GEBRUIK

BELANGRIJ

Belangrijke informatie over het gebruikte koelmiddel

Dit product bevat gefluoreerde broeikasgassen. Stoot geen gassen uit in de atmosfeer.

Type koelmiddel:
R410A

GWP⁽¹⁾ waarde:
2087,5

⁽¹⁾ GWP =

Global Warming Potential
(Potentie Opwarming van de Aarde)

De hoeveelheid koelmiddel wordt aangeduid op het naamplaatje van de unit. Afhankelijk van Europese of lokale wetgeving zijn mogelijk periodieke inspecties op lekkage van koelmiddel voorgeschreven. Neem contact op met uw leverancier ter plaatse voor meer informatie.

OPMERKING

In Europa worden de **broeikasgasemissies** van de totale koelmiddelvulling in het systeem (uitgedrukt in ton CO₂-equivalent) gebruikt om de onderhoudstermijnen te bepalen. Volg de toepasselijke wetgeving.

Formule om de broeikasgasemissies te berekenen:

GWP-waarde van het koelmiddel x Totale koelmiddelvulling [in kg] / 1000



WAARSCHUWING

- Installatie en onderhoud moeten worden uitgevoerd door gekwalificeerde personen die bekend zijn met de plaatselijke wetten en voorschriften en die ervaring hebben met dit type apparatuur.
- Alle veldbedrading moet worden geïnstalleerd in overeenstemming met de landelijk geldende bedradingsvoorschriften.
- Controleer, voordat u begint met bedradingswerkzaamheden volgens het bedradingsschema, dat de nominale spanning van de unit overeenkomt met die van het naamplaatje.
- De unit moet worden GEAARD zodat gevaren die kunnen ontstaan door inslatiefouten, zich niet kunnen voordoen.
- De elektrische bedrading mag nergens de leidingen van het koelmiddel of welke bewegende delen van de ventilatormotoren dan ook raken.
- Controleer dat de unit is uitgeschakeld (OFF) voordat u installatie- of servicewerkzaamheden aan de unit verricht.
- Verbreek de aansluiting op de hoofdstroomvoorziening voordat u servicewerkzaamheden aan de airconditioning-unit verricht.
- Trek NIET de stekker van het netsnoer uit het stopcontact wanneer de unit is ingeschakeld (ON). Dit kan ernstige elektrische schokken tot gevolg hebben die kunnen leiden tot brandgevaar.
- Houd de airconditioning-units, netsnoeren en transmissiebedrading ten minste 1m verwijderd van TV- en radiotoestellen, zodat geen vervormd beeld en statische lading kan ontstaan. (Afhankelijk van het type en de bron van de elektrische golven kan een ontlading van statische elektriciteit hoorbaar zijn, ook als u een afstand van meer dan 1m aanhoudt).
- De apparatuur is niet bedoeld voor gebruik in een mogelijk explosieve atmosfeer.



LET OP

Let bij het installeren vooral goed op de volgende belangrijke punten.

- **Installeer de unit niet op een plaats waar lekkage van brandbaar gas zich kan voordoen.**



Als er gas lekt en zich verzamelt rond de unit, kan hierdoor brand ontstaan.

- **Controleer dat de afvoerleiding goed is aangesloten.**



Als de afvoerleiding niet goed is aangesloten, kan hierdoor lekkage van water ontstaan.

- **Overbelast de unit niet.**



De belasting van de unit is in de fabriek ingesteld. Overbelasting zal leiden tot te veel stroom of zal de compressor beschadigen.

- **Controleer dat het paneel van de unit wordt gesloten na service- of installatiewerkzaamheden.**



Wanneer panelen niet goed zijn vastgezet, zal de unit lawaai maken tijdens de werking.

- **Scherpe randen en oppervlakken van spoelen zijn plaatsen waar u het risico loopt u te bezeren.**

Ga voorzichtig te werk zodat u niet in contact komt met deze plaatsen.

- **Zet, voordat u de stroomvoorziening uitschakelt, de Aan/Uit-schakelaar (ON/OFF) van de afstandsbediening in de stand "OFF" zodat de unit niet per ongeluk kan worden uitgeschakeld.** Als u dit niet doet, zullen de ventilatoren van de unit automatisch beginnen te draaien wanneer de stroomvoorziening wordt ingeschakeld, wat een risico voor servicepersoneel of de gebruiker tot gevolg kan hebben.

- **Gebruik niet verwarmingsapparatuur al te dicht bij de de airconditionings-unit.**

- **Gebruik geen doorverbonden of gedraaide draden voor de inkomende stroomvoorziening.**

Eisen die men stelt aan wegdoen:

Het ontmantelen van de eenheid, de behandeling van de koelstof, olie en andere delen moet uitgevoerd worden in overeenstemming met de relevante wetgeving.

INSTALLATIE VAN DE EENHEID

A Locatie voor Installatie

- Installeer het toestel zo, dat de lucht die door het toestel wordt uitgestoten, niet weer naar binnen kan worden gehaald (zoals bij kortsluiting door uitgestoten lucht). Zorg ervoor dat er voldoende ruimte rond de unit is voor onderhoudswerkzaamheden.
- Wanneer er twee of meer units op een locatie worden geïnstalleerd, moeten zij zo worden geplaatst dat de ene unit niet de uitgestoten lucht van een andere unit kan binnenhalen.
- Controleer dat de luchtstroom in of uit de unit niet wordt belemmerd. Verwijder obstakels die de inname of uitstoot van lucht blokkeren.
- De locatie moet goed geventileerd zijn, zodat de unit volop lucht kan innemen en distribueren.
- Geadviseerd wordt de unit te installeren op:
 - Een plaats waar de vloer het gewicht van de unit kan dragen en geluid en trillingen kan isoleren.
 - Een plaats met voldoende mogelijkheden voor afvoer.
 - Een plaats waar de unit niet kan worden bedolven door sneeuw.
 - Een plaats waar de inlaatopening en uitlaatopening niet blootstaan aan krachtige wind.
 - Een plaats waar de burens geen last hebben van de uitstoot van lucht en het niveau van het geluid van de unit in werking.
 - De plaats die niet toegankelijk is voor het algemene publiek.

Opmerking

- Om de eenheid te installeren met de zuinigheidskit volgt u de aanbevelingen die gegeven werden in onderdeel (B) (iii) onder het hoofdstuk "OPTIONEEL ACCESSOIRE" in deze handleiding.



LET OP

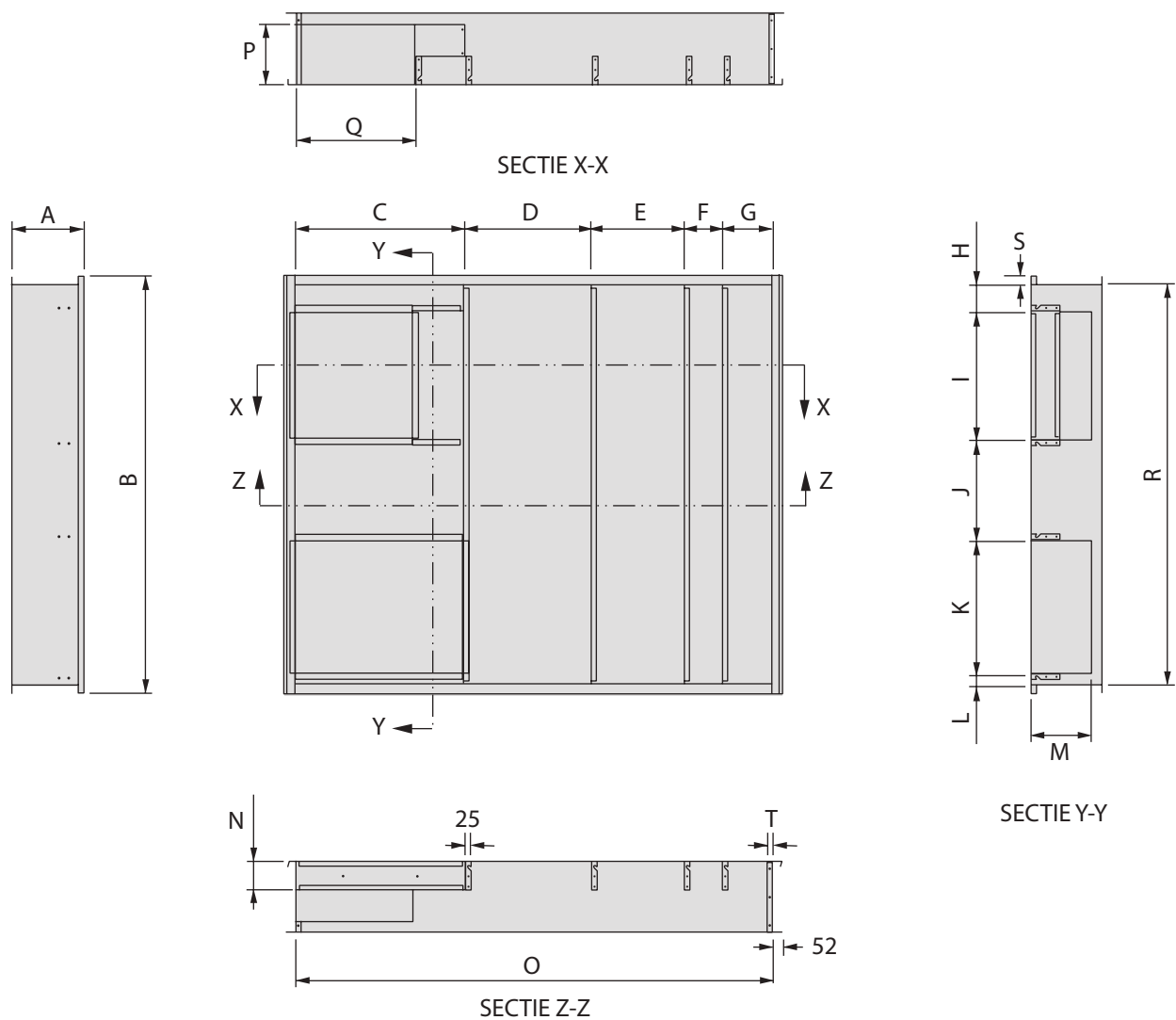
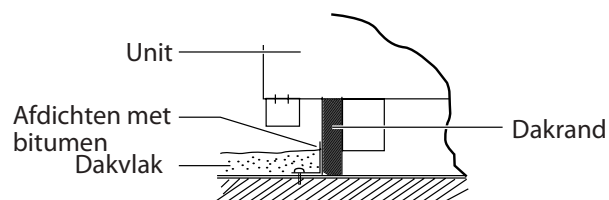
Installeer de eenheid niet op een hoogte van 2000 meter.

B Leidingconstructie

- Deze unit is voorzien van openingen voor de aanvoer- en retourlucht. De leidingen naar de unit moeten worden geconstrueerd met leidingflenzen en direct met flexibele bevestigingen voor de leidingen worden vastgezet op de luchtopeningen zodat overdracht van lawaai wordt voorkomen.
- Ter voorkoming van lekkage van lucht moeten alle naden van leidingen worden gekit.
- Leidingen in ruimten waar geen airconditioning is, moeten worden geïsoleerd.
- Leidingen die zijn blootgesteld aan de buitenlucht moeten weersbestendig zijn.
- Wanneer leidingen een gebouw binnengaan door het dak moet de doorgang weersbestendig worden gemaakt zodat wordt voorkomen dat regen, zand, stof, enz. het gebouw binnendringen.
- In de leiding voor de retourlucht moet een filter van het juiste formaat worden geïnstalleerd.

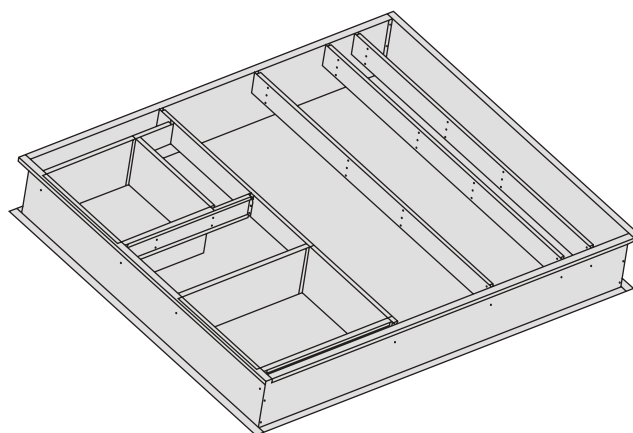
C Ondersteuning van unit (Alleen voor neerwaarts gerichte unit)

- De afbeelding toont het gebruik van de dakrand voor het monteren van deze units.
- De rand moet worden gekit en aan het dak worden bevestigd met behulp van weersbestendig materiaal. Een voorstel voor het afdichten van de unit en dakrand wordt rechts getoond.
- Aanbevolen afmeting voor dakrand wordt hieronder getoond.



Model (UATYQ)	250	350/450	550/600/700/900
A	355	355	355
B	1506	2081	2081
C	840	700	840
D	315	410	625
E	315	410	462
F	0	0	190
G	314	287	248
H	0	131	131
I	607	600	646
J	322	544	495
K	540	682	676
L	0	42	51
M	300	300	300
N	141	141	141
O	1784	1807	2365
P	300	300	300
Q	481	477	590
R	1469	1998	1998
S	20	41,5	41,5
T	20	41,5	41,5

Opmerking: Alle afmetingen zijn in mm

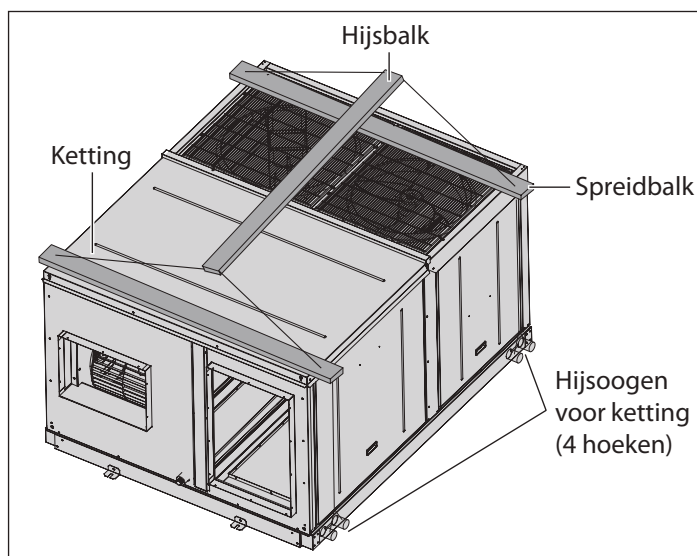


D Hijsen van de unit

- Gaten op de 4 hoeken van de grondplaat van de unit worden gebruikt om de unit te hijsen.
- De breedte van de tussenstang moet iets groter zijn dan de breedte van de unit.
- Voeg de isolatie toe op 4 hoeken van de ketting zodat wordt voorkomen dat het paneel wordt beschadigd bij het hijsen.

Opmerking

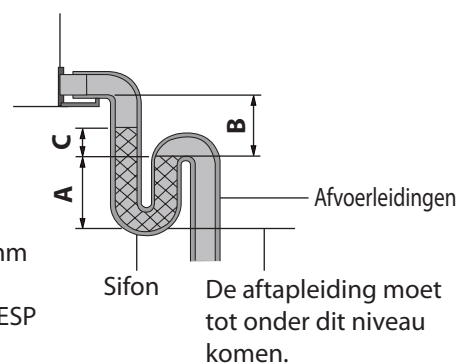
- Unit die wordt afgebeeld in de tekening is de UATYQ250.
- Voor andere modellen wordt dezelfde methode voor het hijsen gevolgd.



E Afvoerleidingen

- Er wordt een condensaftap van 1" MPT geleverd. De aftapleiding kan aan de voorzijde naar buiten worden geleid.
- De aftapleiding moet buiten de unit worden voorzien van een sifon en moet voor een juiste afvoer ook onder een hoek worden geïnstalleerd, zoals rechts wordt getoond.
- Voorkom condensvorming en lekkage: voorziet de afvoerleiding van isolatie zodat doorzweeten uitgesloten wordt.
- Controleer, na voltooiing van het leidingwerk, dat er geen lekkage is en dat het water goed wordt afgevoerd.

De aftapleiding moet zijn voorzien van een sifon.



- A** \geq 70mm
- B** \geq 2C
- C** \geq 2 X ESP

Opmerking

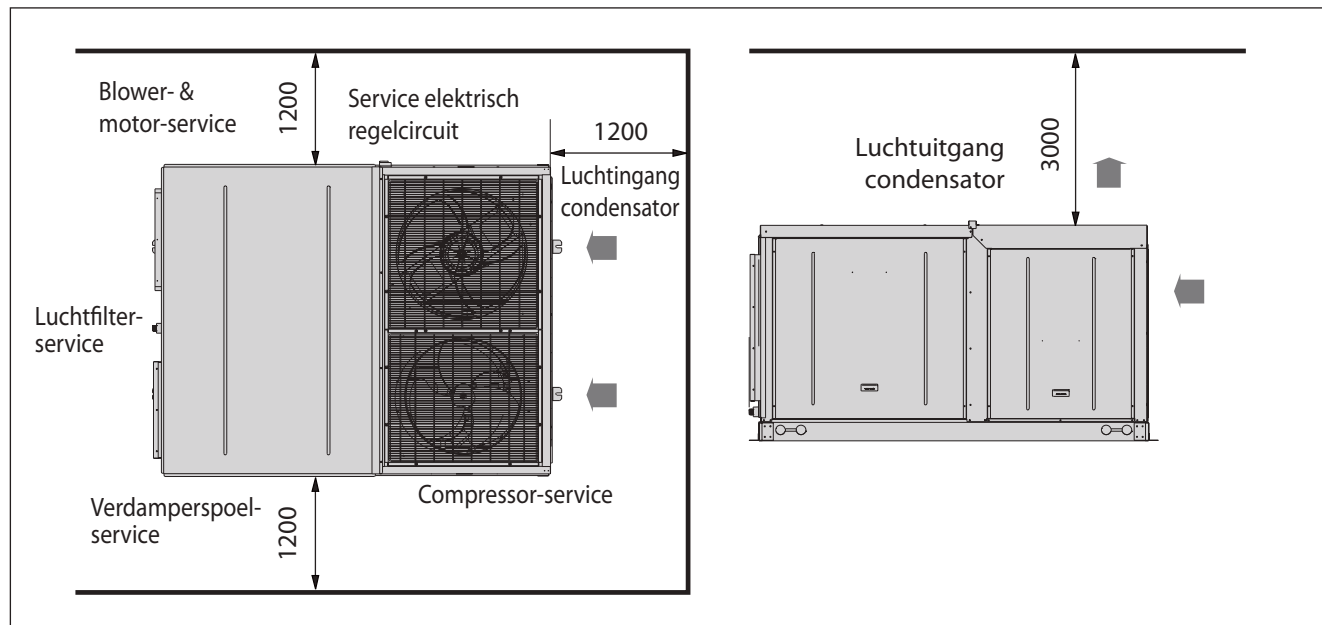
- ESP = External Static Pressure - Externe Statische Druk

Aftap voor condens

F Ruimte die vereist is rond de Unit

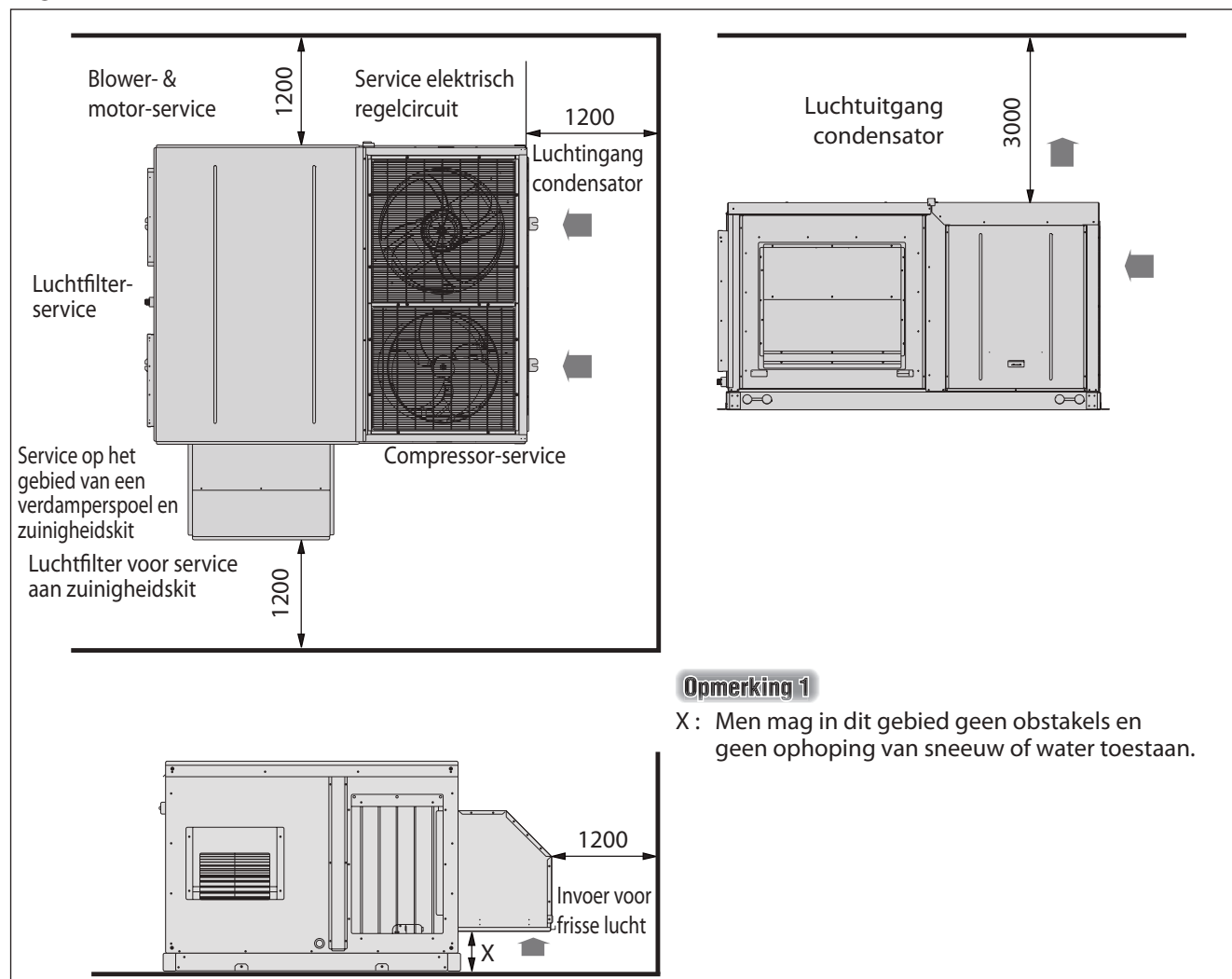
Raadpleeg onderstaande tekening voor de ruimte die vereist is rond de unit. N.B.:-

- Alle afmetingen zijn in mm.
- Alle ruimten die worden getoond zijn **minimale eisen voor de ruimte** rond de unit.
- Unit die wordt getoond in de tekening is de UATYQ250. Andere modellen moeten met dezelfde vrije ruimte worden geplaatst.



NEDERLANDS

Extra ruimte of tussenruimte is nodig, wanneer de zuinigheidskit geïnstalleerd wordt. Wanneer de eenheid uitgerust is met een zuinigheidskit, dient de ruimte nodig rond de eenheid met de zuinigheidskit het onderstaande diagram te volgen: -



Opmerking 1

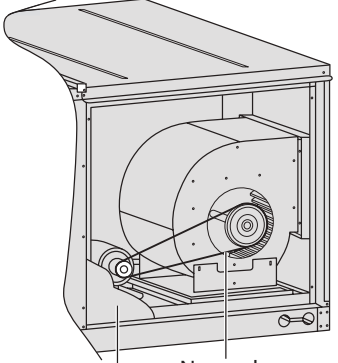
X: Men mag in dit gebied geen obstakels en geen ophoping van sneeuw of water toestaan.

G Unit-omzetting

Volg, in het geval dat de standaard-unit wordt omgezet in een neerwaartse unit, de hieronder vermelde stappen:

UATYQ250, 350, 450, 550, 600, 700 & 900

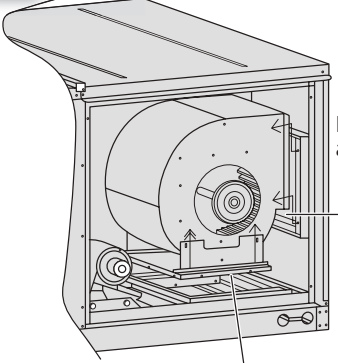
1



Neem het zijpaneel los

Neem de aandrijfriem los

2

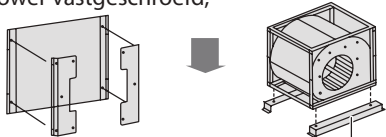


Draai de schroeven aan beide zijden uit

Losgemaakte blower

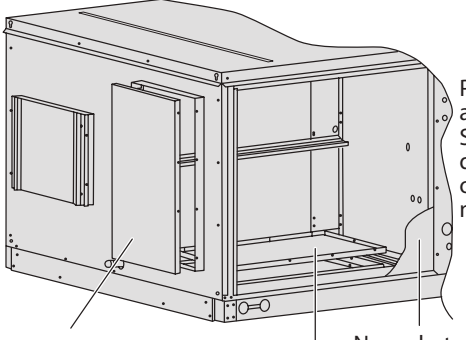
Maak de ondersteuning van de blower los

Voor UATYQ250:
De twee zijplaten worden op de ondersteuning van de blower vastgeschroefd, zoals wordt afgebeeld



Voor UATYQ250, 350, 450, 550, 600, 700 & 900
De twee neerwaartse structuurcomponenten worden aan de blower vastgeschroefd

4



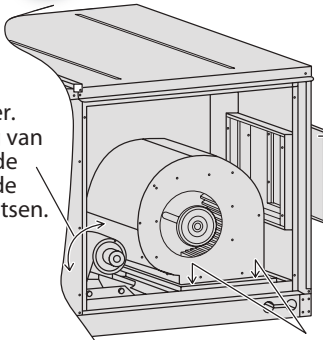
Bedek de horizontale retouropening met de kap en schroef deze stevig vast. Zie opmerking 2.

Schroef de verticale retourkap los van het onderpaneel

Plaats het zijpaneel ten slotte weer.

Plaats de aandrijfriem weer. Stel de spanning van de riem af door de onderplaat van de motor te verplaatsen.

3



Bedek de horizontale aanvoeropening met de steun van de blower die van de blower is losgemaakt en schroef deze stevig aan. Zie opmerking 2.

Draai de blower zodat deze naar onderen wijst. Draai de schroeven aan beide zijden in.

Plaats de aandrijfriem weer. Stel de spanning van de riem af. Plaats het zijpaneel ten slotte weer. Zie opmerking 1.

Opmerking 1

Voor een neerwaartse omzetting moet de lengte worden gewijzigd.

Voor unit met standaard overbrenging, riemlengte = a mm

Afstand van as tot as neerwerp omzetting, C-C = b mm

	UATYQ250	UATYQ350	UATYQ450	UATYQ550	UATYQ600	UATYQ700	UATYQ900
a	1382	1357	1250	1382	1382	1382	1500
b	375	388	375	445	445	435	445

Opmerking 2

Dichtmiddel zoals een gaas (veldtoevoer) dient gezet te worden tussen de metalen deksel en de flens. Daarnaast zal weerbestendig silicone worden toegepast op alle verbindingstukken, schroefgaten en gaten om te zorgen dat alles waterdicht is.

Opmerking 3

Zie het technische gegevensboek voor de curve van de aanblazer en de technische gegevens van de katrol van de variabele helling.

FYSIEKE GEGEVENS

Warmtepomp (R410A)

Model		UATYQ250	UATYQ350	UATYQ450	UATYQ550	UATYQ600	UATYQ700	UATYQ900
Koelmiddel		R410A						
Lading koelmiddel	kg	6,1	5,8/5,8	7,2/7,2	8,7/8,7	10,4/10,4	11,6/11,6	11,6/11,6
Luchtstroom verdamper	CFM	3300	4300	5650	6700	7300	8300	9600
	L/S	1557	2029	2667	3162	3445	3917	4531
Externe statische druk	mmAq	15			21			
	Pa	147			206			
Luchtstroom condensator	CFM	8230	6000/6000	6050/6050	6450/6450	10100/10100	10600/10600	10600/10600
	L/S	3884	2831/2831	2855/2855	3044/3044	4767/4767	5003/5003	5003/5003
Regelfunctie		Niet-draadloze dak-controller						
Lengte regelbedrading (Standaard/Max) : Afmeting	m : mm ²	15 / 100 : 3						
Compressor (Type/Aantal)		Scroll/1	Scroll/2	Scroll/2	Scroll/2	Scroll/2	Scroll/2	Scroll/2
Luchtfilter (Type/Aantal)		Wasbaar Saranet/2						
Afmeting luchtfilter (Lengte x Breedte x Dikte)	mm	880 x 467 x 4	1126 x 385 x 4	1126 x 435 x 4	1497 x 392 x 4	1497 x 495 x 4	1497 x 595 x 4	1497 x 595 x 4

NEDERLANDS

ELEKTRISCHE GEGEVENS

Warmtepomp (R410A)

Model		UATYQ250	UATYQ350	UATYQ450	UATYQ550	UATYQ600	UATYQ700	UATYQ900
Voeding	V/Ph/Hz	380-415/3N~/50						
Max, continue stroom (Comp)	A	26	17/17	19/19	26/26	28/28	29/29	40,0/40,0
Stroom bij volle belasting (FLA, Comp)	A	21	12/12	15/15	21/21	22/22	25/25	34,0/34,0
Stroom bij vergrendelde rotor (LRA, Comp)	A	111	74/74	101/101	111/111	118/118	118/118	174,0/174,0

De apparatuur voldoet aan de eisen in EN 61000-3-11 Er gelden bepaalde voorwaarden voor de aansluiting van de apparatuur op de stroomvoorziening. Aansluiting is toegestaan in overleg met het elektriciteitsbedrijf. De apparatuur mag alleen op een stroomvoorzieningsnet worden aangesloten met een systeemimpedantie van minder dan de waarde die in onderstaande tabel wordt vermeld. De systeemimpedantie op het interface kan worden opgevraagd bij het elektriciteitsbedrijf.

Model	Maximale impedantie (Z_{max}), ohm
UATYQ250	0,22
UATYQ350	0,23
UATYQ450	0,21
UATYQ550	0,21
UATYQ600	0,21
UATYQ700	0,21
UATYQ900	0,20

Als het stroomvoorzieningsnet een hogere systeemimpedantie heeft, kunnen korte spanningsdalingen optreden wanneer de apparatuur wordt gestart of wanneer de apparatuur in bedrijf is. Dit kan van invloed zijn op de werking van of de werking verstoren van andere apparaten, bijv. lampen kunnen knipperen, vooral lampen die op hetzelfde elektriciteitsnet zijn aangesloten.

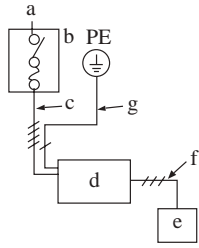
DRAADAANSLUITING

- Alle werkzaamheden aan het elektrische systeem moeten door een gekwalificeerde elektricien en in overeenstemming met de lokale eisen en bijbehorende voorschriften worden uitgevoerd.

Methode voor het aansluiten van elektrische draad

Voor het aansluiten van de draad, raadpleeg de elektrische gezelschap van bevoegdheid.

1. De gehele aansluitschema van de unit



a	Voeding
b	Hoofdschakelaar/zekering (veldtoevoer)
c	Bedrading stroomvoorziening voor unit
d	Unit
e	Afstandsbediening
f	Aansluitbedrading voor unit & afstandsbediening
g	Aarde

2. Aansluiting van bedrading aan de unit

Leid de draden voor de stroomvoorziening en de regelbedrading door de gaten die in de unit zijn gestanst of de kabelopeningen in de eenheid.

Verwijder de service-panelen en sluit de bedrading voor de stroomvoorziening van de unit aan op het aansluitblok in de regelkast, zoals wordt afgebeeld.

Gebruik de kabelklemmen die men kan losmaken door te duwen. Deze bevinden zich aan de onderkant van de bedieningsdoos om de draden van de stroomtoevoer goed te laten lopen.

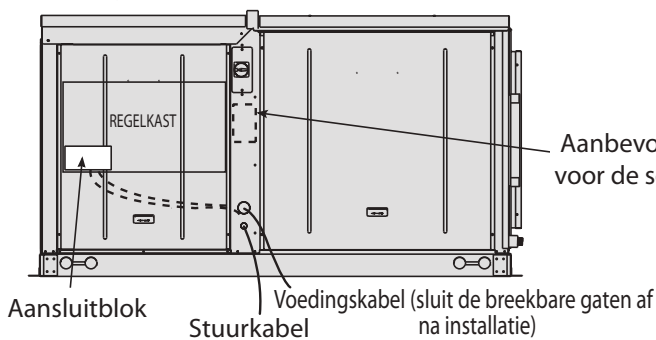
Opmerking

Let er bij het plaatsen van de circuitonderbreker op de unit vooral goed op dat de schroeven de componenten (bijv. spoel) in de unit niet beschadigen.

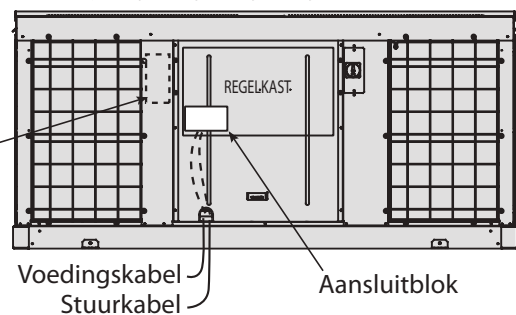
De schakelkast kan ook worden geplaatst zonder dat deze aan de unit wordt bevestigd.

Alleen de UATYQ250 heeft uitgestanste gaten; UATYQ350, UATYQ450, UATYQ550, UATYQ600, UATYQ700 en UATYQ900 is voorzien van een gat voor de voedingskabel.

UATYQ250



UATYQ350, 450, 550, 600, 700 & 900



Aanbevolen plaats voor de schakelkast

Bedravingsvoorbeeld en selectie van circuitonderbreker

Model	Voedingskabel (mm ²)	Capaciteit onderbreker (A)	Beveiligingsschakelaar overstroom (A)	Aardekabel (mm ²)
UATYQ250	4	32	32	4
UATYQ350	6	40	40	6
UATYQ450	10	40	40	10
UATYQ550	10	50	50	10
UATYQ600	16	63	63	16
UATYQ700	25	80	80	25
UATYQ900	35	100	100	35

Opmerking

Er moet een hoofdschakelaar of een andere manier van onderbreking, waarbij het contact van alle polen wordt verbroken, worden opgenomen in de vaste bedrading in overeenstemming met de lokale en nationale wetgeving.

- De unit moet direct van een elektrisch distributiebord worden bedraad door middel van (bij voorkeur) een circuitonderbreker of een HRC-zekering.
- Bevestig de bedrading van de stroomvoorziening op de regelmodule. Bevestig de regelbedrading op het regelaansluitblok via het gat in de regelkast.
- Er moet bedrading voor de aarding worden aangesloten.
- De draad voor de stroomvoorziening moet gelijk zijn aan H07RN-F, het minimumvereiste en moet worden gebruikt in een beschermende buis.
- De verbinding van alle polen in het stopcontact moet verbroken zijn met een contactscheiding van op zijn minst 3 mm.



WAARSCHUWING

- Isoleer de unit van de stroomvoorziening voordat u eraan begint te werken.
- Elektrische bedrading naar deze unit en de afstandsbediening moeten worden geïnstalleerd in overeenstemming met de eisen van de ter plaatse geldende voorschriften voor de bedrading.

Neem bij het bevestigen van de bedrading aan het aansluitblok de hieronder genoemde opmerkingen in acht. Te nemen voorzorgsmaatregelen voor de bedrading van de stroomvoorziening. (Gebruik een ronde krimp-aansluiting voor aansluiting op het aansluitblok. In het geval deze niet kan worden gebruikt om redenen die niet kunnen worden vermeden is het belangrijk dat u de volgende instructie in acht neemt.)

Ronde krimp-aansluiting



Draad met aders



LET OP

Wanneer u de verbindingsdraden met behulp van een draad met een enkele kern aansluit op het aansluitblok, is het belangrijk dat u de draad krult.

Problemen met het werk kunnen warmteontwikkeling en brand tot gevolg hebben.



Strip het draadeinde tot dit punt.

Goed

Wanneer u de draad verder stripped kan dat leiden tot elektrische schok of lekkage van stroom.

Fout



○

×

Draad strippen bij het aansluitblok

- Trek aan de draad en controleer dat deze niet loskomt. Zet vervolgens de draad op zijn plaats vast met een.

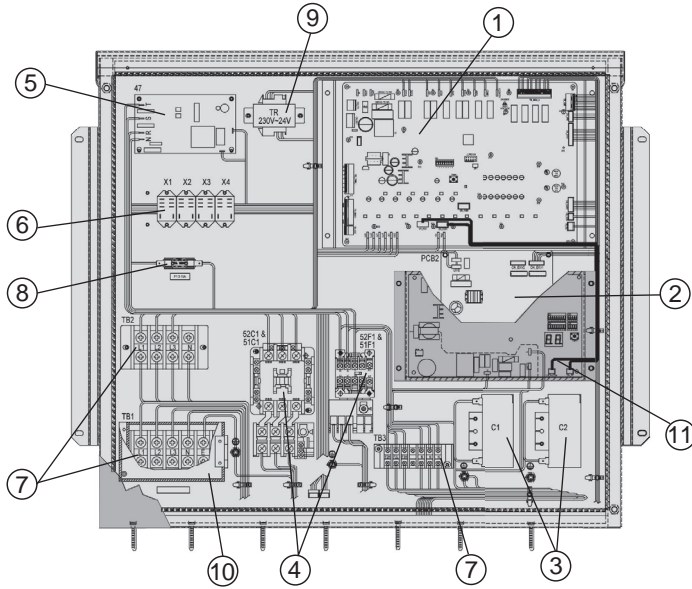


WAARSCHUWING

- De transmissiedraad moet op ten minste 50mm afstand van de voedingskabel worden geleid.
- De transmissiedraad moet een afgeschermd kabel zijn.

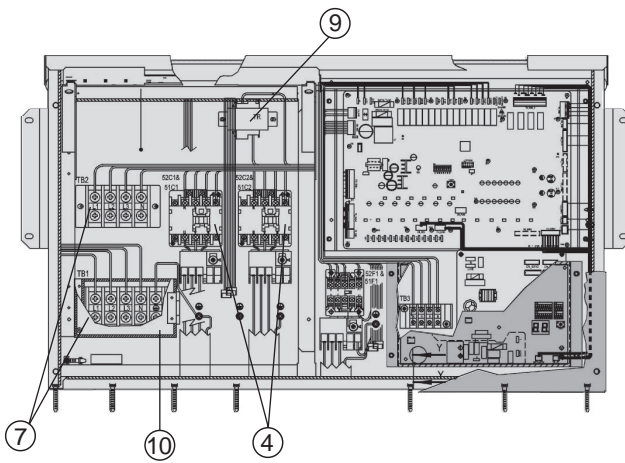
Opstelling van aansluitblokken en componenten voor controller zoals hieronder wordt afgebeeld:

A Regelmodule UATYQ250

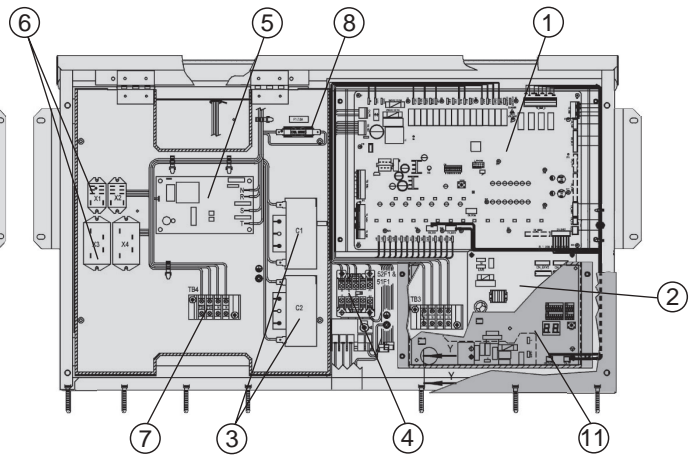


Nr.	Item-beschrijving
①	Controller-hoofdbord
②	EXV Controllerbord
③	Condensator
④	Contactschakelaar
⑤	Fasebeveiliging
⑥	Relais
⑦	Aansluitblok
⑧	Zekering
⑨	Transformator
⑩	Deksel eindpuntblok
⑪	Bedieningsbord zuinigheidsmodule

B Regelmodule UATYQ350/450/550

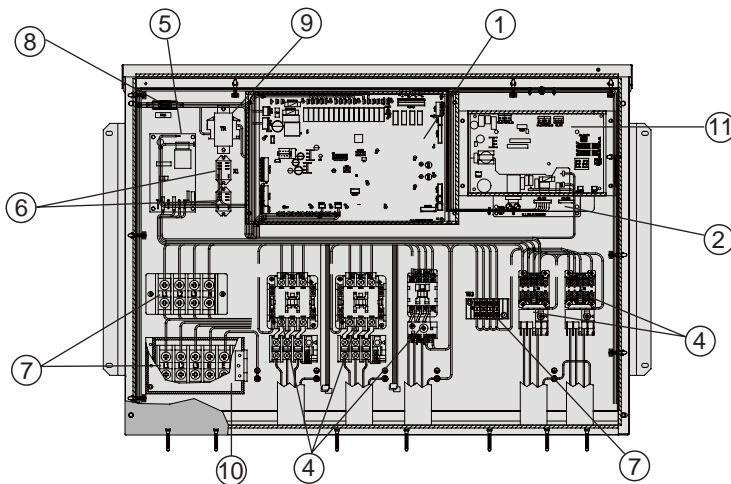


(Onderlaag)



(Bovenlaag)

C Regelmodule UATYQ600/700/900



WAARSCHUWING

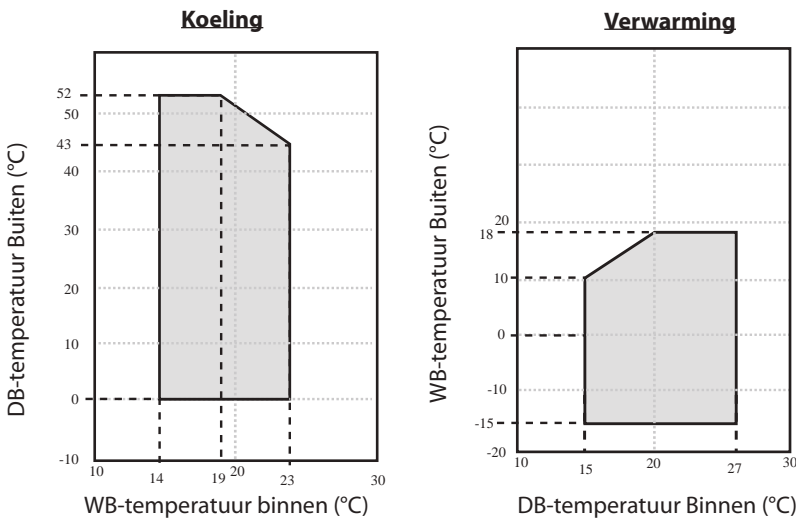
Tenzij de netvoeding is uitgeschakeld, zal de terminal blok (TB1) Levende blijven wanneer de isolator is uitgeschakeld.

Opmerking

Item 11 (bord zuinigheidscontroller) dient gebruikt te worden samen met de zuinigheidskit, die u standaard bijgeleverd vindt als accessoire.

BEREIK

Zorg ervoor dat de bedrijfstemperatuur binnen het toegestane bereik ligt, zoals in het onderstaande schema wordt vermeld:



! LET OP

Wanneer de airconditioner wordt gebruikt buiten het bereik voor de werkt temperatuur en -luchtvochtigheid, kan dat ernstige storing tot gevolg hebben.

Opmerking
Zie het werkbereik voor eenheid met de optie voor zuinigheid in deel (E)(vi) in hoofdstuk "OPTIONEEL ACCESSOIRE".

DB = Droge Bol
WB = Natte Bol

NEDERLANDS

BEDIENINGSGIDS REGELFUNCTIES

De unit is uitgerust met een controller-hoofdbord en er is een bedrade afstandsbediening op het controller-hoofdbord aangesloten.

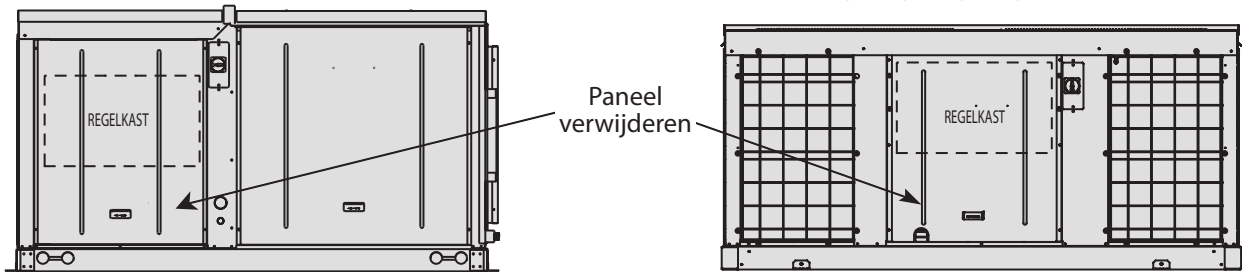
Alle instellingen in de unit zijn vooraf door de fabrikant uitgevoerd. Het wordt niet aanbevolen de instellingen te wijzigen, tenzij dat nodig is of hieronder wordt gesteld.

a) Plaats afstandsbediening

De afstandbediening bevindt zich op een metalen beugel achter het servicepaneel. De afstandbediening bevindt zich in de verpakking bij de installatiehandleiding.

UATYQ250

UATYQ350, 450, 550, 600, 700 & 900



b) LED-display (Controller-hoofdbord)

De LED knippert wanneer de unit wordt ingeschakeld.

c) LCD-scherm (Afstandsbediening)

Tijdens de normale werking toont het LCD-scherm de aan/uit-status van de compressor, ingestelde stand, ingestelde temperatuur, enz. Raadpleeg de Bedieningshandleiding voor de details van de bedieningsgids. Het LCD-scherm toont na het inschakelen het hoofdscherm. Wanneer er zich een storing voordoet, verschijnt er een pop-up-scherm met een melding op het LCD-scherm, terwijl de achtergrondverlichting knippert en een akoestisch signaal klinkt.

d) Optionele configuraties

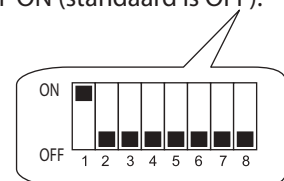
Optionele configuraties Het controle-hoofdbord kan worden gebruikt als de interface voor thermostaatregeling en het BMS-systeem.

(i) Thermostaatregeling (TB_THM-I)

- U kunt deze regelfunctie gebruiken bij de volgende Dip-schakelaarinstelling: SW1-ON (standaard is OFF).
- Volg de onderstaande methode voor invoer van de thermostaatregeling:

G	Y1	Y2	W1	W2	Stand	Bediening
0	0	0	0	0	-	Unit uit
1	0	0	0	0	Ventilator	Binnenventilator aan
X	1	0	X	X	Koel	1 stapscompressor
X	1	1	X	X	Koel	2 stapscompressor
X	0	X	1	0	Warmtepomp/Verwarming	1 stapscompressor
X	0	X	1	1	Warmtepomp/Verwarming	2 stapscompressor

Opmerking: X = Niet van belang.



- Raadpleeg onderstaande tabel voor aanbevelingen voor de installatie:

Invoer	Nominale spanning	Nominale stroom	Draadafmeting
G	24V AC	5mA	AWG18~22
Y1			
Y2			
W1			
W2			

Opmerking

- Als het hoofdbord van de controller geconfigureerd is met thermostaatregeling, wordt de afstandsbediening alleen gebruikt voor controledoelen.
- Unit moet steeds opnieuw worden opgestart (uit- en weer inschakelen) wanneer een Dip-schakelaarinstelling is veranderd.

(ii) BMS-regelfunctie (TB_BMS-I)

- U kunt deze regelfunctie gebruiken bij de volgende Dip-schakelaarinstelling: SW3 - ON (standaard is OFF) en paneel parameter G8 naar '1' (standaard is '0').

Opmerking

- G8 = Regeltype
0 = Paneel
1 = BMS
2 = DEC
- Voor TB_BMS-I zijn er 3 invoermogelijkheden voor regelfuncties: unit aan/uit; bedrijfsstand (koel-0/warm-1); e instelpunt (4~20mA).
- Raadpleeg onderstaande tabel voor aanbevelingen voor de installatie:



Ingang TB_BMS-I	Nominale spanning	Nominale stroom	Draadafmeting
Aan/Uit	24V AC	5mA	AWG18~22
Bedrijfsstand	24V AC	5mA	
Koel/ Warm instelpunt	-	4~20mA	

Opmerking

- Wanneer het controller-hoofdbord wordt geconfigureerd als BMS-regeling, wordt de afstandsbediening alleen gebruikt voor het monitoren van het systeem.
- Unit moet steeds opnieuw worden opgestart (uit- en weer inschakelen) wanneer een Dip-schakelaarinstelling is veranderd.

(iii) Droge contactuitgang (TB_BMS-O)

- Voor TB_BMS-O zijn er 4 monitor-uitgangen: foutalarm; uitgang1; uitgang2; en ontdooisignaal.
- Raadpleeg onderstaande tabel voor aanbevelingen voor de installatie:

Ingang TB_BMS-O	Nominale spanning	Nominale stroom (A)	Draadafmeting
Alarmuitgang (AL)	230V AC/125V AC/30V DC	1/3/3	AWG18~22
Uitgang1 (O1)	230V AC/125V AC/30V DC	2/3/3	
Uitgang2 (O2)	230V AC/125V AC/30V DC	3/3/3	
Ontdooisignaal (DFRT)	230V AC/125V AC/30V DC	4/3/3	

- De uitvoersignalen zullen verschillen afhankelijk van de configuratie van het hoofdbord van de controller of dit nu met thermostaatregeling is of BMS-regeling.

(1) Voor de thermostaatregeling worden de uitgangen aangeduid zoals in de onderstaande tabel wordt getoond.

Thermostaatingang (SW1-ON)					FOUT	DEFROST (ONTDOOIEN)	Alarmuitgang	Uitgang1	Uitgang2	Ontdooisignaal
G	Y1	Y2	W1	W2			(AL)	(O1)	(O2)	(DFRT)
0	0	0	0	0	X	X	X	0	0	X
1	0	0	0	0	X	X	X	0	1	X
X	1	0	X	X	X	X	X	1	0	X
X	1	1	X	X	X	X	X	1	0	X
X	0	X	1	0	X	X	X	1	1	X
X	0	X	1	1	X	X	X	1	1	X
X	X	X	X	X	1	X	1	X	X	X
X	X	X	X	X	X	1	X	X	X	1

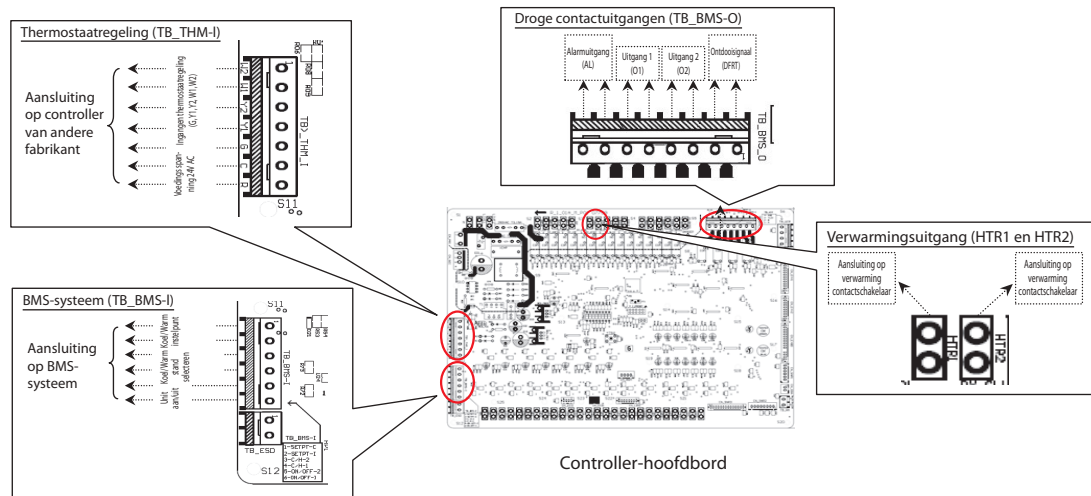
Opmerking: X = Niet van belang.

(2) Voor BMS-regeling worden de uitgangen aangeduid zoals in de onderstaande tabel wordt getoond.

BMS-invoer (SW3-ON)			FOUT	DEFROST (ONTDOOIEN)	Alarmuitgang	Uitgang1	Uitgang2	Ontdooisignaal
AAN/UIT	BEDRIJFSSTAND	KOEL/WARM INSTELPUNT			(AL)	(O1)	(O2)	(DFRT)
0	0		X	X	X	0	0	X
0	1		X	X	X	0	1	X
1	0		X	X	X	1	0	X
1	1		X	X	X	1	1	X
X	X		X	1	X	X	X	X
X	X		X	1	X	X	X	1

Opmerking: X = Niet van belang.

Het onderstaande schema toont de positie van de aansluitblokken op het hoofdbord van de controller die worden gebruikt voor thermostaatregeling en het BMS-systeem. Verder worden de uitgangspennen voor een elektrische hulpverwarming ook getoond.



(iv) Uitgang Elektrische Hulpverwarming (HTR1 en HTR2)

- Er zijn twee uitgangspennen (HTR1 en HTR2) op het controller-hoofdbord, die worden gebruikt voor de voeding van de verwarmingscontactschakelaar. De contactschakelaar moet in overeenstemming daarmee worden geselecteerd zodat (een) veiligheidsrisico(s) wordt/worden voorkomen.
- De verwarming moet worden geïnstalleerd in overeenstemming met de lokale en nationale wetgeving. Voldaan moet worden aan EN60335-2-40.
- Er moet(en) (een) thermische zekering(en) op de verwarming worden geïnstalleerd zodat er een gevaarlijke situatie of beschadiging van de verwarming/unit wordt voorkomen. Dit is vooral van het allerhoogste belang wanneer er een storing optreedt in het controller-hoofdbord of de blower.
- De verwarming moet op een veilige plaats worden geïnstalleerd, waar er geen risico is van beschadiging van de unit.
- Gebruik een onbrandbare leiding als de unit met verwarming wordt geïnstalleerd.
- Gebruik een andere stroomvoorziening voor de elektrische verwarming en installeer een circuitonderbreker voor elke verwarming.
- De maximumtemperatuur in de unit mag de 60°C niet overschrijden. De temperatuur moet worden gemeten tijdens de installatie of de inbedrijfstelling zodat gewaarborgd is dat de temperatuur deze waarde niet overschrijdt.
- Selecteer in overeenstemming daarmee de juiste veiligheidsvoorziening of thermische beveiliging.
- De verwarming mag nooit in de unit worden geïnstalleerd. De aanbevolen plaats voor de verwarming is in de aanvoerleiding, waarbij de afstand van de verwarming voldoende groot is en gewaarborgd is dat de temperatuur in de unit de 60°C niet overschrijdt.

(v) Regeling van de zuinigheids optie

- Zorg dat de zuinigheidskit is uitgerust met een eenheid boven, voordat u de zuinigheidsfunctie op het hoofdbord van de controller activeert. Anders zal een fout optreden.
- U kunt deze zuinigheidsfunctie activeren door de dipschakelaarinstelling in te stellen: SW4 - ON (standaard is OFF) op het hoofdbord van de controller en de paneelparameter G6 op '1' (standaard is '0').

Opmerking

G6 = Regeling zuinigheidsfunctie
 0 = uitschakelen
 1 = inschakelen



- Op het regelbord voor de zuinigheidsfunctie zijn er 4 dipschakelaars en 3 shuntdoorverbinders die zorgen voor flexibele selectie op basis van verschillende eisen:
 - Dip-schakelaar 1: Instelling minimale opening voor frisse lucht in verhittingsmodus, waarbij de selectie van verschillende pennen een andere instelling voor de opening zal opleveren. SW1: 5%, SW2: 10%, SW3: 15%, SW4: 20%, SW5: 25%, SW6/7/8: geen functie, Standaard: 0% (geen selectie, alle OFF).
 - Dip-schakelaar 2: Instelling minimale opening voor frisse lucht in koelmodus, waarbij de selectie van verschillende pennen een andere instelling voor de opening zullen opleveren. SW1: 0%, SW2: 5%, SW3: 15%, SW4: 20%, SW5: 25%, SW6/7/8: geen functie, Standaard: 10% (geen selectie, alle OFF).
 - Dip-schakelaar 3: Selectie drempelwaarde CO₂ PPM-niveau, waarbij de selectie van verschillende pennen zal zorgen voor andere waard-instellingen. SW1: 25%, SW2: 50%, SW3: 75%, SW4: 100%, Standaard: 0% (geen selectie, alle OFF).
 - Dip-schakelaar 4: Soort werking, die de volgende selectie ook omvat: -
 SW1: OFF = Differentiële temperatuurwerking (standaard), ON = Geen functie op dit moment.
 SW2: OFF = Zuinigheidsmodus (standaard), ON = Modus frisse lucht.
 SW3: OFF = Overkoelde bescherming is geactiveerd (standaard), ON = Overkoelde bescherming is niet geactiveerd.

Shunt-doorverbinders 1, 2 en 3: Instelling minimale opening voor frisse lucht in ventilatormodus, waarbij de selectie van verschillende pennen een andere instelling voor de opening zullen opleveren. Laten we de shunt-doorverbinding 1 = JP1, shunt-doorverbinding 2 = JP2 en shunt-doorverbinding 3 = JP3 noemen. Zie de onderstaande tabel voor de verschillende selecties voor de opening voor frisse lucht.

Opening voor frisse lucht (%)	JP1	JP2	JP3
0 (standaard)	OFF	OFF	OFF
10	OFF	OFF	ON
20	OFF	ON	OFF
30	OFF	ON	ON
40	ON	OFF	OFF
50	ON	OFF	ON
70	ON	ON	OFF
85	ON	ON	ON

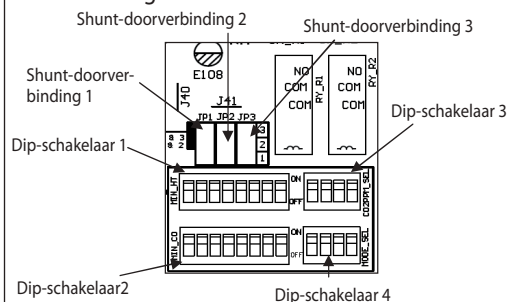
Legenda: OFF = Korte pen 2 en pen 3
ON = Korte pen 1 en pen 2



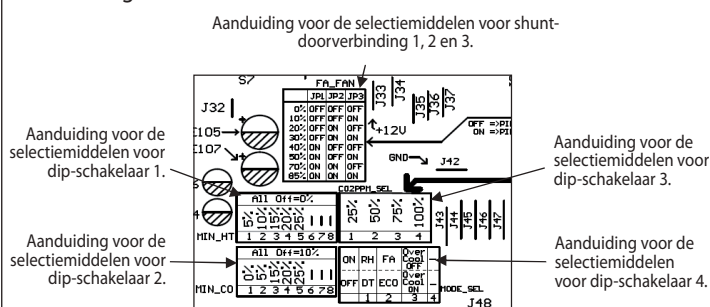
LET OP

Dip-schakelaar 1, 2 en 3 maken alleen selectie van 1 pin mogelijk. Als men meerdere pennen selecteert, zal dit ertoe leiden, dat er fouten optreden en de machine zal terugvallen op werken op de standaard instelling. Terwijl dip-schakelaar 4 selectie van meerdere pennen mogelijk maakt.

De locatie van dip-schakelaar en shunt-doorverbindingen in het bord van de controller van de zuinigheidsmodule:



Aanduiding in het bord voor de controller van de zuinigheidsmodule:

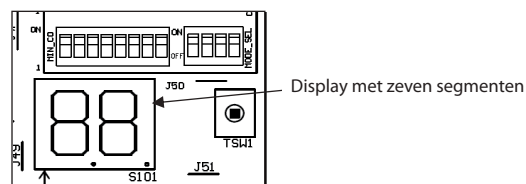


- Er zijn twee LED's op het bord van de controller van de zuinigheidsmodule: een groene LED en een rode LED. De groene LED zal knipperen, wanneer het bord van de controller van de zuinigheidsmodule wordt opgestart. De rode LED zal knipperen, wanneer er een fout optreedt/er fouten optreden. Zie de onderstaande tabel voor foutcodes en hun betekenis: -

Foutcode	Fout
F0	Actuator frisse lucht werkt niet goed/ disfunctie
F1	Actuator retourlucht werkt niet goed/ disfunctie
F2	Communicatiefout
F3	Kortsluiting CO ₂ -sensor
F4	CO ₂ -sensor open
F5	Kortsluiting RH-sensor frisse lucht
F6	RH-sensor frisse lucht open
F7	Kortsluiting RH-sensor retourlucht
F8	RH-sensor retourlucht open
F9	Activering van bescherming actuator
FA	Selectie meerdere pennen in dip-schakelaar 1, 2 of 3

Opmerking

De foutcodes zullen worden weergegeven op de display met zeven segmenten op het bord met de controller van de zuinigheidsmodule.



Opmerking

Wanneer een fout optreedt/er fouten optreden en de fouten blijven bestaan, bel dan uw geautoriseerde plaatselijke dealer/servicetechnicus voor het oplossen van problemen. Echter, alle fouten die optreden op het bord van de controller van de zuinigheidsmodule zullen geen invloed hebben op de normale werking van de bovenste eenheid.

Opmerking is geldig voor Turkije alleen: De levensduur van onze producten is tien (10) jaar

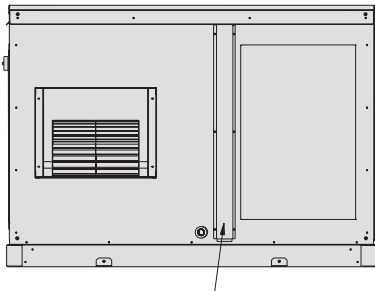
SERVICE VAN HET FILTER

- Verwijder stof dat eventueel op het filter zit met een stofzuiger of was het filter in lauwwarm water (minder dan 40°C) met een neutraal schoonmaakmiddel.
- Spoel het filter goed uit en droog het voordat u het weer in de unit zet.
- Reinig het filter niet met benzine, vluchtige stoffen of chemicaliën.
- Reinig het filter ten minste eens in de 2 weken. Of vaker als dat nodig is.

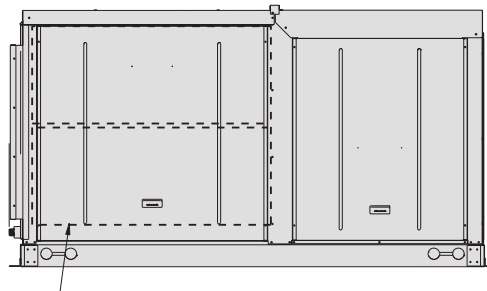
Plaatsing van het filter

De filters worden gemonteerd voor de binnen-warmtewisselaar.

Unit die wordt getoond in de tekening is de UATYQ250. Voor andere modellen moet dezelfde methode worden gebruikt.

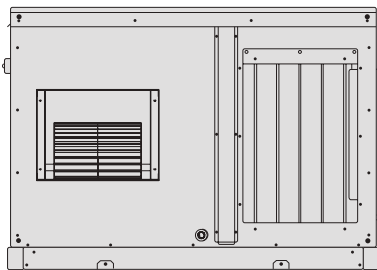


Neem de filterafdekking los voor onderhoud aan het filter.



U kunt ook het servicepaneel verwijderen voor onderhoud aan het filter.

Bij een eenheid die geïnstalleerd is samen met een zuinigheidskit, is er een aanvullend filter dat bevestigd is aan de onderkant van de regenkap. Eenheid weergegeven in het diagram is UATYQ250 + zuinigheidskit (veld geïnstalleerd). Voor andere modellen moet dezelfde methode worden gebruikt.



Regenkap (veld geïnstalleerd)

Verwijder filterdeksel op de regenkap voor service aan het filter.



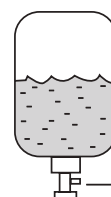
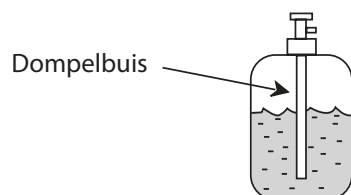
LET OP

Zorg dat het filter juist geplaatst is en dat na de service om te voorkomen dat er water lekt de filterdeksel goed vast zit met schroeven. Indien nodig, zal men weerbestendig dichtmiddel gebruiken om te zorgen dat er waterbestendige afwerking op de filterdeksel en de regenkap zit.

HET SYSTEEM VACUÛM MAKEN EN LADEN

De units met bovenpakket worden vooraf in de fabriek voorzien van voldoende koelmiddel. Het kan tijdens service- of onderhoudswerkzaamheden echter nodig zijn koelmiddel aan te vullen. Daarom moeten enkele voorzorgsmaatregelen worden getroffen zodat een optimale en storingsvrije werking van het systeem gewaarborgd is:

- Het systeem moet grondig vacuüm worden gemaakt zodat gewaarborgd is dat er geen niet-samendrukbaar gas en vocht in het systeem komen.
- Gebruik uitsluitend een vacuümpomp voor R410A. De vacuümpomp of de unit kan beschadigd raken als dezelfde vacuümpomp wordt gebruikt voor verschillende koelmiddelen.
- Het koelmiddel mag nooit direct in het milieu worden geloosd.
- Zorg er bij het toevoegen van R410A voor dat alleen vloeistof wordt onttrokken aan de cilinder of het blik.



Omgekeerde cilinder zonder dompelbuis

Onttrekking van vloeistof

Gewoonlijk zal de R410A-cilinder of - bus voorzien zijn van een dompelbuis voor het onttrekken van vloeistof. Als de dompelbuis echter niet beschikbaar is, keer de cilinder of de container dan om zodat vloeistof kan worden onttrokken via het ventiel aan de onderzijde.



LET OP

- R410A moet als vloeistof worden geladen. Meestal is een R410A-cilinder voorzien van een dompelbuis voor het onttrekken van vloeistof. Als er geen dompelbuis is, moet de cilinder worden omgekeerd zodat de vloeibare R410A kan worden onttrokken via het ventiel.
- Vul het systeem niet bij wanneer het lekt, omdat de unit dan minder goed zal functioneren. Trek de unit grondig vacuüm en vul de unit vervolgens met ongebruikte R410A, houd u daarbij aan de hoeveelheid die wordt aanbevolen in de specificatie.

HET OPLOSSEN VAN PROBLEMEN

Neem voor inlichtingen over reserveonderdelen contact op met uw geautoriseerde leverancier. Als u merkt dat de airconditionings-unit niet goed functioneert, controleer dan de volgende condities en oorzaken van storingen en raadpleeg enkele eenvoudige tips voor het oplossen van problemen.

Probleem	Oorzaken	Handeling
Unit werkt niet.	<ul style="list-style-type: none"> ● Stroomstoring. ● Zekering gesprongen of circuitonderbreker ingeschakeld. ● Bedrading stroomvoorziening fase-incorrect. 	<ul style="list-style-type: none"> ▶ ● Druk op [ON/OFF] wanneer de stroomvoorziening is hersteld. ▶ ● Vervang zekering of reset de circuitonderbreker. ▶ ● Wijzig de fase van de bedrading.
Compressor begint niet te werken binnen 3 minuten nadat de unit is gestart.	<ul style="list-style-type: none"> ● Beveiliging tegen frequent opstarten. 	<ul style="list-style-type: none"> ▶ ● Wacht 3 minuten totdat de compressor start.
De luchtstroom is gering.	<ul style="list-style-type: none"> ● Filter is gevuld met stof of vuil. ● Er bevinden zich obstakels in de luchtinlaat of -uitlaat van de units. 	<ul style="list-style-type: none"> ▶ ● Maak het filter schoon. ▶ ● Verwijder obstakels.
Compressor blijft draaien.	<ul style="list-style-type: none"> ● Vuil luchtfilter. ● Temperatuurinstelling is te laag (voor koeling). ● Temperatuurinstelling is te hoog (voor verwarming). 	<ul style="list-style-type: none"> ▶ ● Maak het luchtfilter schoon. ▶ ● Reset de temperatuur.
Er wordt geen koele lucht geleverd tijdens de koelingscyclus, of er wordt geen warme lucht geleverd tijdens de verwarmingscyclus.	<ul style="list-style-type: none"> ● Temperatuurinstelling is te hoog (voor koeling). ● Temperatuurinstelling is te laag (voor verwarming). 	<ul style="list-style-type: none"> ▶ ● Stel de temperatuur lager in. ▶ ● Stel de temperatuur hoger in.
Bij verwarmingscyclus wordt geen lucht geleverd (UATYQ250). Of de geleverde lucht is niet warm genoeg (UATYQ350/450/550/600/700/900).	<ul style="list-style-type: none"> ● Unit is bezig met de ontdooicyclus. 	<ul style="list-style-type: none"> ▶ ● Wacht enige tijd. (De unit zal weer gaan werken na het ontdooien.)

Als de storing niet kan worden verholpen, bel dan uw geautoriseerde leverancier/servicemonteur ter plaatse.

ZUINIGHEIDSKIT

A Inleiding

De zuinigheidskit is een accessoire die standaard voor de fabriek geleverd wordt, maar wel in het veld geïnstalleerd moet worden. De zuinigheidskit is compatibel voor R410A-dakmodellen. Als u er niet zeker van bent of deze kit gebruikt kan worden bij de bepaalde eenheid die u hebt, neem dan contact op met de geautoriseerde divisie voor service. De zuinigheidskit maakt het mogelijk dat buitenlucht gemengd wordt met retourlucht voor "vrij" koelen, als de luchttemperatuur buiten geschikt is. De koeling van de zuinigheidsmodule kan alleen gebruikt worden in samenhang met mechanische koeling. Behalve dat kan de zuinigheidskit gebruikt worden om ventilatielucht te leveren om de luchtkwaliteit binnen te verbeteren. Het is cruciaal om de juiste selectie voor de zuinigheidskit te gebruiken. Zie de onderstaande tabel een richtlijn om de kit te selecteren:

Nr.	Eenheid voor het dak	Zuinigheidskit die compatibel is met de dak-eenheid
1	UATYQ250	ECONO250
2	UATYQ350	ECONO350
3	UATYQ450	ECONO450
4	UATYQ550	ECONO550
5	UATYQ600	ECONO600
6	UATYQ700	ECONO700
7	UATYQ900	ECONO900

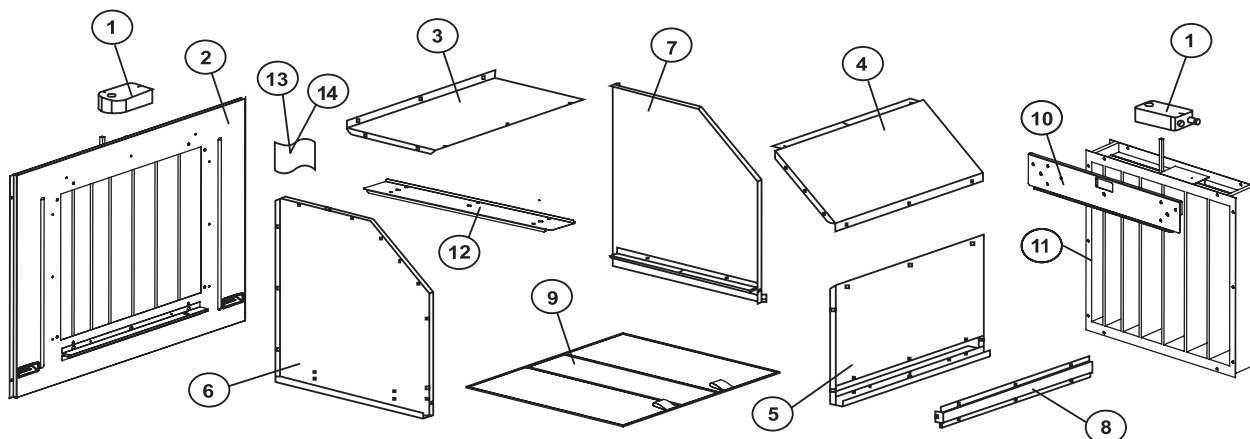
Opmerking

Bij verkeerde selectie kan dit tot gevolg hebben dat de kit niet in elkaar gezet kan worden met de dak-eenheid.

B Controle voor installatie

(i) De inhoud van de zuinigheidskit

Voor de installatie wordt het aanbevolen om de inhoud van de zuinigheidskit na te gaan, nadat u de verpakking hebt verwijderd. De kit omvat de volgende componenten:

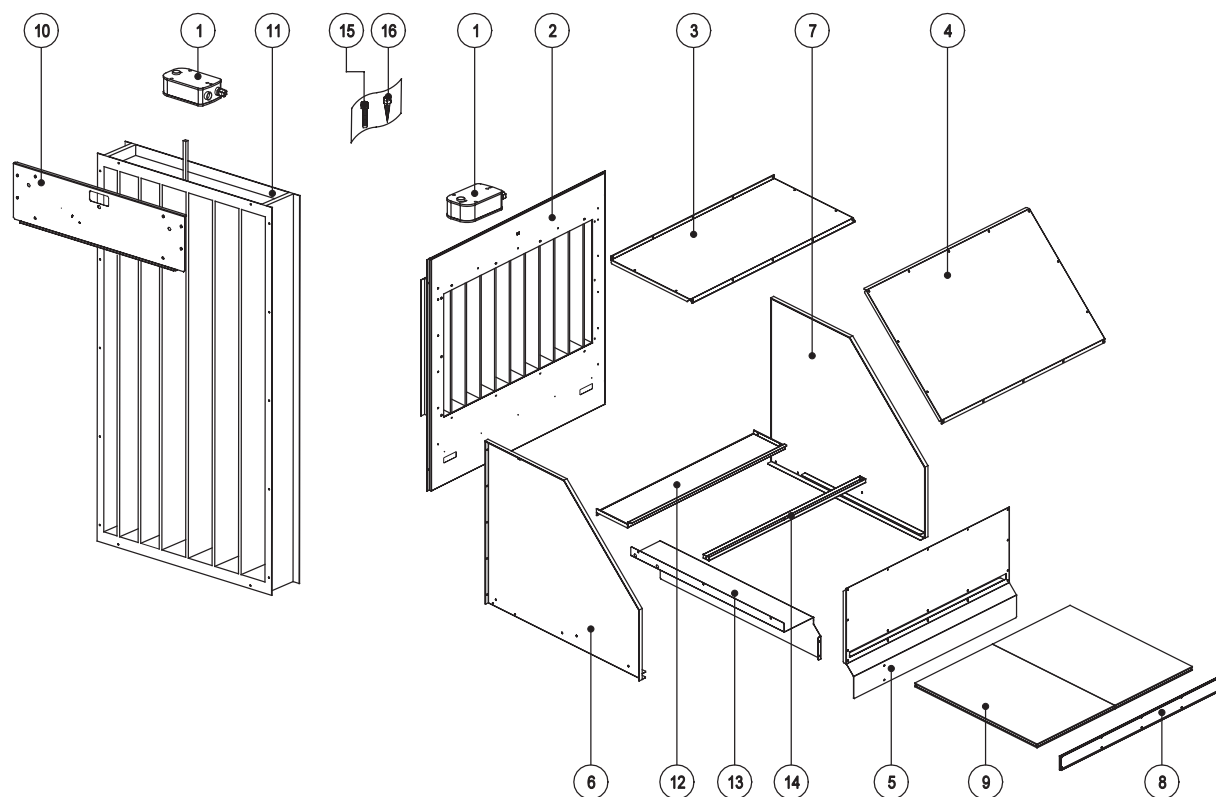


Nr.	Item-beschrijving	Hoeveelheid (set)
1	Belimo-actuator, LF24-SR	2
2	Zijpaneel met demper voor buitenlucht	1
3	Kap, topaneel	1
4	Kap, middenpaneel	1
5	Kap, onderpaneel	1
6	Kap, zijpaneel links	1
7	Kap, zijpaneel rechts	1

Nr.	Item-beschrijving	Hoeveelheid (set)
8	Filterdeksel	1
9	Filter	1
10	Steunbeugel, schokbreker retourlucht	1
11	Schokbreker retourlucht	1
12	Steunbeugel, neerwaarts	1
13	Schroef, M5x16	55
14	Schroef, M4x12	4

* Ondersteuningsbeugel, neerwaarts (item 12) is niet beschikbaar bij de ECONO700.

(ii) De inhoud van de zuinigheidskit UATY900



Nr.	Item-beschrijving	Hoeveelheid (set)
1	Belimo-actuator, LF24-SR	2
2	Zijpaneel met demper voor buitenlucht	1
3	Kap, toppaneel	1
4	Kap, middenpaneel	1
5	Kap, frontpaneel	1
6	Kap, zijpaneel rechts	1
7	Kap, zijpaneel links	1
8	Filterdeksel	1

Nr.	Item-beschrijving	Hoeveelheid (set)
9	Filter	1
10	Steunbeugel, schokbreker retourlucht	1
11	Schokbreker retourlucht	1
12	Kap, onderpaneel	1
13	Flens, Lucht kap 1	1
14	Ondersteuning Filter	1
15	Schroef, M5x16	97
16	Schroef, M4x12	4

Opmerking

Neem contact op met de divisie voor geautoriseerde services, als accessoire beschadigd is of onvolledig.

(iii) Tussenruimte eenheid

Zorg voor voldoende ruimte voor de luchtstroom, service-verlening en bedrading, nadat de kit op de eenheid bevestigd is. De luchtstroom in deze ruimte mag niet geblokkeerd zijn. Zie deel (F) onder hoofdstuk "INSTALLATIE VAN DE EENHEID" in deze handleiding. Als men dit niet doet, kan dit voor lage luchtstroming en disfunctie van de eenheid zorgen.

(iv) Locatie voor installatie

Volg de aanbevelingen die men gaf in deel (A) onder het hoofdstuk "INSTALLATIE VAN DE EENHEID" in deze handleiding. Verder moet men de installatie van de conditie rond de kit in ogenschouw nemen, waarbij:

- In de tussenruimte van de regenkap van de grond dient nooit sneeuw of water opgehoopt te zijn.
- De invoer voor frissen lucht staat niet in de richting van de meest voorkomende windrichting.
- De buitenlucht dient altijd schoon te zijn en zonder geur, voldoet aan de grens van concentratie voor verscheidene vervuilende stoffen volgens de plaatselijke standaards en overschrijdt de grenswaarde voor de drempel van giftigheid niet op grond van plaatselijke standaards.

(v) Functie van de schokbreker

Controleer de twee schokbrekers in de zuinigheidskit. Dit zijn item 2 en item 11. Men draait de as van de schokbreker +90° en -90° (volledig open tot volledig gesloten of vice-versa). De schokbreker dient soepel en makkelijk te werken. Als er schade is of er abnormaliteiten zijn, dient men de geautoriseerde service-afdeling daarvan op de hoogte te brengen.

C Gereedschappen en materialen die men voor de installatie nodig heeft

- | | |
|---------------------------------------------------------|--------------------------------------------------|
| (i) Elektrische schroevendraaier met gemengde fittingen | (vii) Aanpasbare spanner (klein) |
| (ii) Elektrische boor met gemengde fittingen | (viii) Breekijzer en hamer |
| (iii) Kleine schroevendraaier met plat blad | (ix) Weerbestendig dichtmiddel (zoals silicone) |
| (iv) Knipper | (x) Gaas |
| (v) Kruiskopschroevendraaier | (xi) Label voor vergrendeling voor de veiligheid |
| (vi) Meettape of liniaal | (xii) Kabelklem |

D Richtlijnen voor installatie

(i) (Horizontale) toepassing zijretour

STAP 1

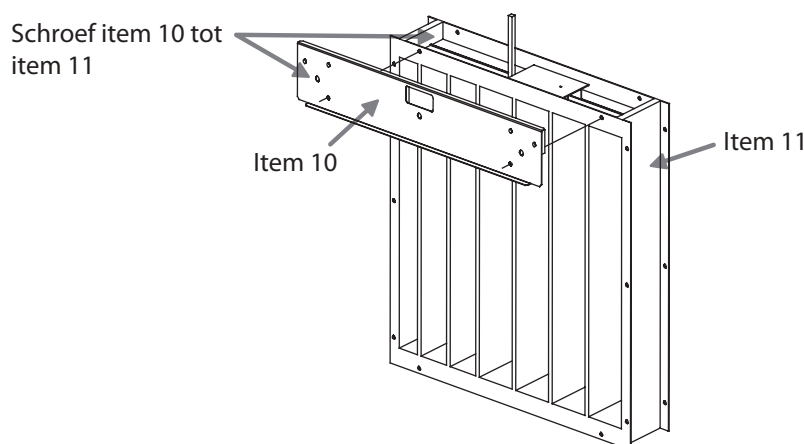
- Verbreek de verbinding van de stroomtoevoer naar de unit en installeer een label voor vergrendeling voor de veiligheid voor de installatie, inbedrijfstelling of service aan de zuinigheidskit. Breng alle nodige gereedschappen in gereedheid, zoals hierboven beschreven.

STAP 2

- Maak de houten krat van de zuinigheidskit open door de koevoet en de hamer te gebruiken. Verwijder vervolgens de plastic wikkels die de losse onderdelen en de sluitingen bevatten door het snijdmes te gebruiken. Voer de controle voor de installatie uit zoals hierboven beschreven.

STAP 3

- Bevestig de steunbeugel, de schokbreker voor de retourlucht (item 10) tot schokbreker voor de retourlucht (item 11) door de schroef M5x16 (item 13) te gebruiken die u standaard in de kit vindt meegeleverd.



STAP 4

- Bevestig 1pc Belimo actuator, LF24-SR (item 1) aan "RA" voor retourlucht (item 11). Lijn de opening van de actuator uit met de as van de schokbreker en steek deze in.



LET OP 1

De standaard instelling voor de schokbreker voor retourlucht (item 11) dient volledig geopend te zijn. Zorg dat de schokbreker in de positie "volledig geopend" staat, voordat u de actuator bevestigt. Als u dit niet doet, zullen er fouten optreden, als het toestel normaal werkt.

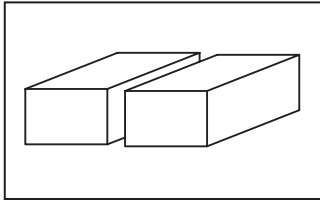


LET OP 2

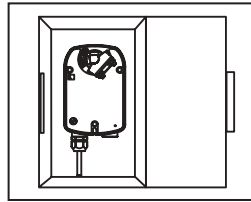
De oppervlakte van de actuator die naar boven gericht is/naar buiten dient te zijn gelabeld met het symbool "L" om zeker te zijn dat de modulatie van de actuator in de richting van met de klok mee plaatsvindt. Als u dit niet doet, zullen er fouten optreden als het toestel met de zuinigheidsfunctie werkt.

Opmerking

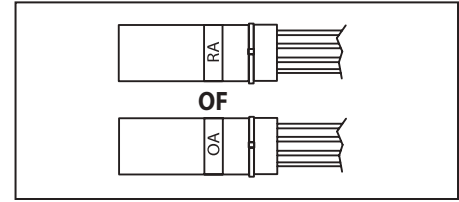
Er zijn twee stukken Belimo actuator, LF24-SR (item 1) in de zuinigheidskit die bij de kartonnen dozen wordt geleverd. Open de dozen en herken het label op de draad. De actuator die gebruikt wordt in stap 4 is de actuator met het label "RA".



Twee stuks van item 1 in kartonnen dozen.

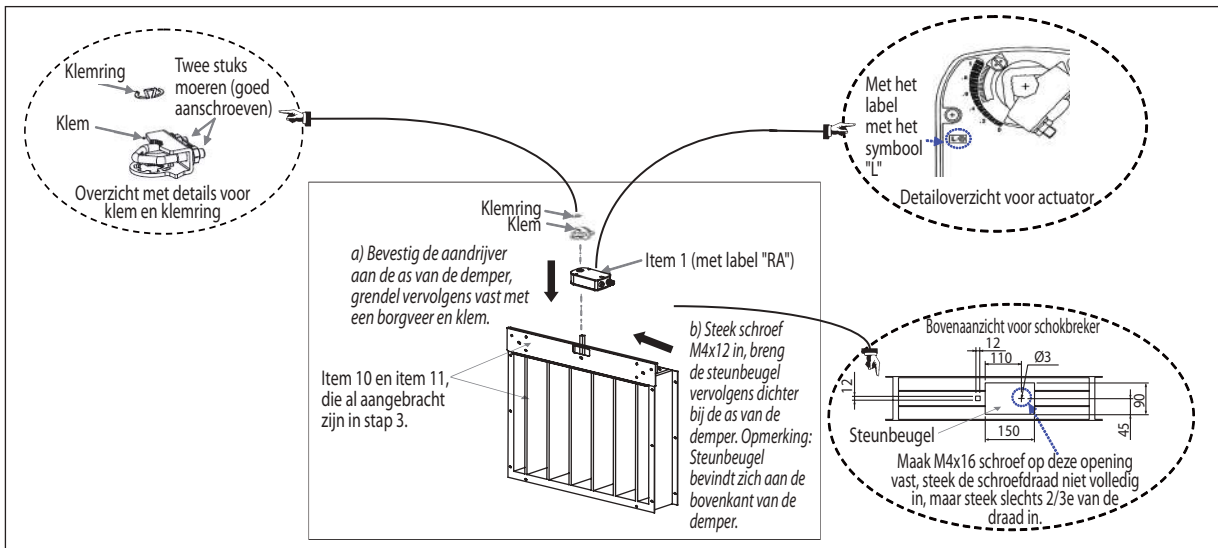


Open de doos.



Kijk naar het label op de draad. Een van hen wordt aangeduid met "RA", terwijl de andere "OA" is.

- Vervolgens maakt u de 1pc schroef M4x12 (item 14) op de steunbeugel van de schokbreker vast. Steek de schroefdraad niet volledig in, maar steek slecht tot maximal 2/3e van de schroefdraad in. Bevestig de actuator aan de steunbeugel door de steunbeugel dicht bij de as van de schokbreker te brengen. De functie van schroef M4x12 is om de actuator goed vast te houden en tijdens modulatie slippen te voorkomen.
- Vervolgens steekt u de klem in de as en vergrendelt de actuator met een klemring. Maak de moeren van de klem goed vast door de verstelbare spanner te gebruiken. Merk dat de klem en de klemring samen komen met de actuator als de standaard onderdelen. U kunt deze onderdelen binnen de doos van de actuator vinden.

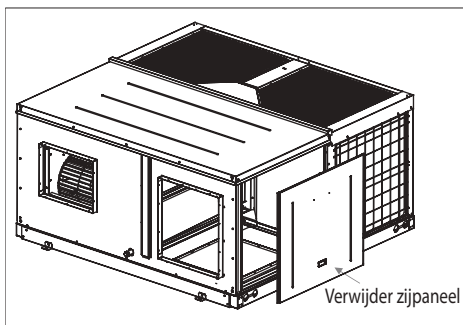


STAP 5

- Verwijder zijpaneel. Vervolgens neemt u de vier stukken van de metalen beugel van het voorpaneel. Installeer de schokbreker voor de retourlucht (item 11) + steunbeugel, schokbreker voor retourlucht (item 10) + Belimo actuator, LF24-SR (item 1) die al aangebracht zijn in stap 3 en stap 4 in het voorpaneel van de eenheid door dezelfde schroefopeningen te gebruiken. Gebruik schroef M5x16 (item 13) met als doel goed vast te maken.

LET OP

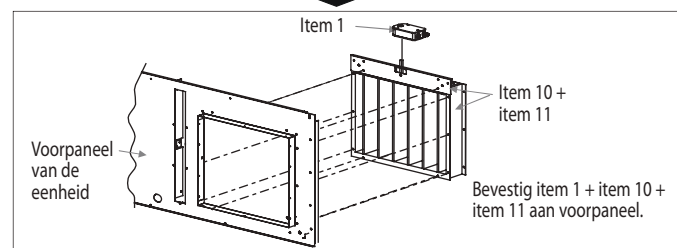
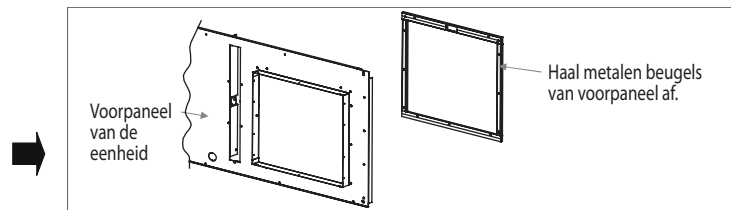
Strek de sensor voor retourlucht uit die zich bevindt binnen de eenheid (aan de bovenkant van de opening voor retourlucht) tot het gebied buiten de eenheid. Men kan dit doen door de sensor door de kleinge openingen op de steunbeugel te leiden, de schokbreker voor retourlucht (item 10). De sensor is dan goed geplaatst binnen de leiding voor retourlucht door de kabelbinders (veldtoevoer) te gebruiken. Als u dit niet doet, kan dit invloed hebben op het functioneren van de eenheid en thermisch ongemak voor de gebruikers veroorzaken.



Gebruik om het even welke drie openingen onder op item 10 om de sensor voor retourlucht naar de buitenkant van de eenheid te leiden.



Vooraanzicht van item 10



STAP 6

- Bevestig eenstuks Belimo actuator, LF24-SR (item 1) met het label "OA" aan het zijpaneel met schokbreker voor buitenlucht (item 2). Lijn de opening van de actuator uit met de as van de schokbreker en steek deze in.



LET OP 1

De standaard instelling voor de schokbreker voor retourlucht (item 2) dient volledig gesloten te zijn. Zorg dat deze schokbreker zich in de "volledig gesloten" positie bevindt, voordat u de actuator bevestigt. Als u dit niet doet, zullen er fouten optreden als de eenheid normaal werkt.

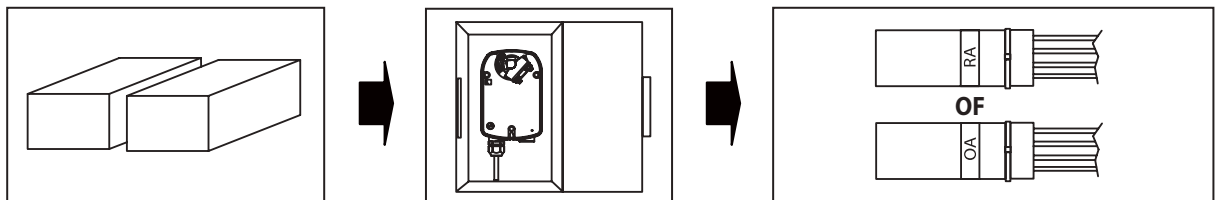


LET OP 2

De oppervlakte van de actuator die naar boven gericht is/naar buiten dient te zijn gelabeld met het symbool "R" om zeker te zijn dat de modulatie van de actuator in de richting van met de klok mee plaatsvindt. Als u dit niet doet, zullen er fouten optreden als de eenheid met de zuinigheidsfunctie normaal werkt.

Opmerking

Er zijn twee stukken Belimo actuator, LF24-SR (item 1) in de zuinigheidskit die bij de kartonnen dozen wordt geleverd. Open de dozen en herken het label op de draad. De actuator die gebruikt wordt in stap 6 is de actuator met het label "OA".

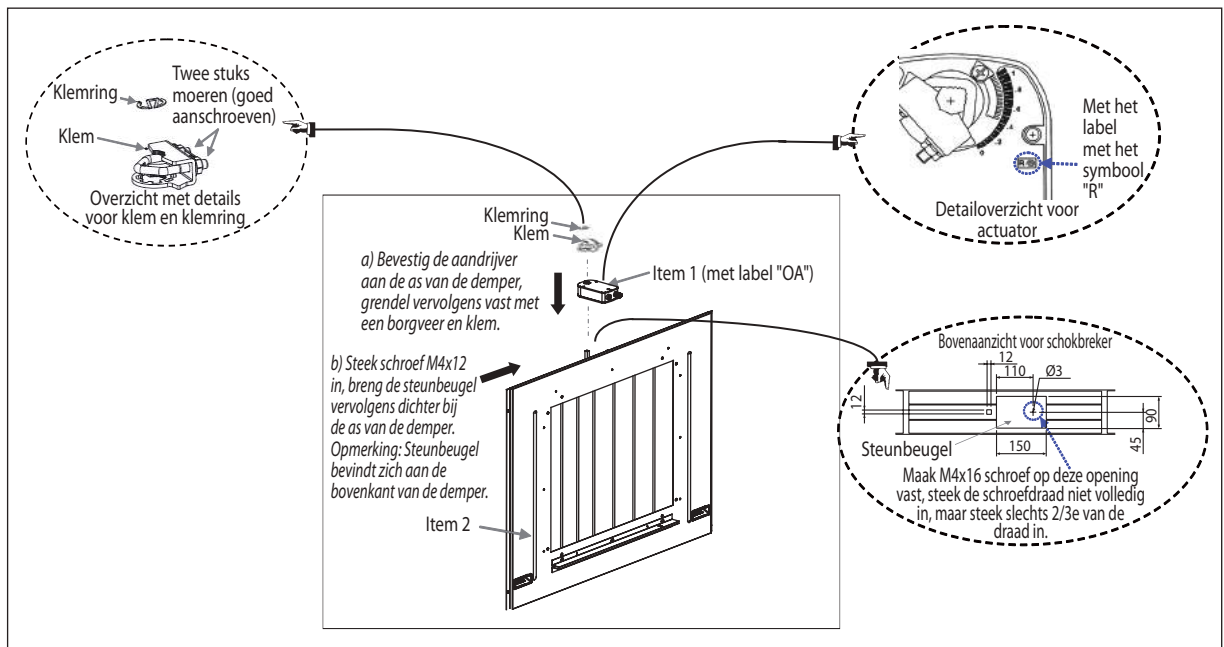


Twee stuks van item 1 in kartonnen dozen.

Open de doos.

Kijk naar het label op de draad. Een van hen wordt aangeduid met "RA", terwijl de andere "OA" is.

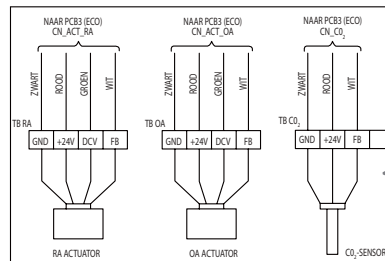
- Vervolgens maakt u de 1pc schroef M4x12 (item 14) op de steunbeugel van de schokbreker vast. Steek de schroefdraad niet volledig in, maar steek slecht tot maximal 2/3e van de schroefdraad in. Bevestig de actuator aan de steunbeugel door de steunbeugel dicht bij de as van de schokbreker te brengen. De functie van schroef M4x12 is om de actuator goed vast te houden en tijdens modulatie slippen te voorkomen.
- Vervolgens steekt u de klem in de as en vergrendelt de actuator met een klemring. Maak de moeren van de klem goed vast door de verstelbare spanner te gebruiken. Merk dat de klem en de klemring samen komen met de actuator als de standaard onderdelen. U kunt deze onderdelen binnen de doos van de actuator vinden.



STAP 7

- Sluit Belimo actuator aan, LF24-SR (item 1) met label "RA", die zich nu bevindt bij de schokbreker voor de constructie aan het voorpaneel op het eindpuntblok met label "RA" binnen de kabelkast.
- Er zijn vier draden op de actuator met verschillende kleuren (zwart, rood, groen en wit). Sluit de draden aan zoals u hieronder ziet:

- Draad met een zwart kleur - sluit aan op eerste pool van aansluitblok met label "GND".
 - Draad met een rode kleur - sluit aan op tweede pool van eindpuntblok met lade "+24V".
 - Draad met een groene kleur - sluit aan op derde pool van eindpuntblok met lade "DCV".
 - Draad met een witte kleur - sluit aan op vierde pool van eindpuntblok met lade "FB".
- (Raadpleeg de sticker met het bedradingsdiagram dat zich bevindt op de voorkant van de kabelkast.)



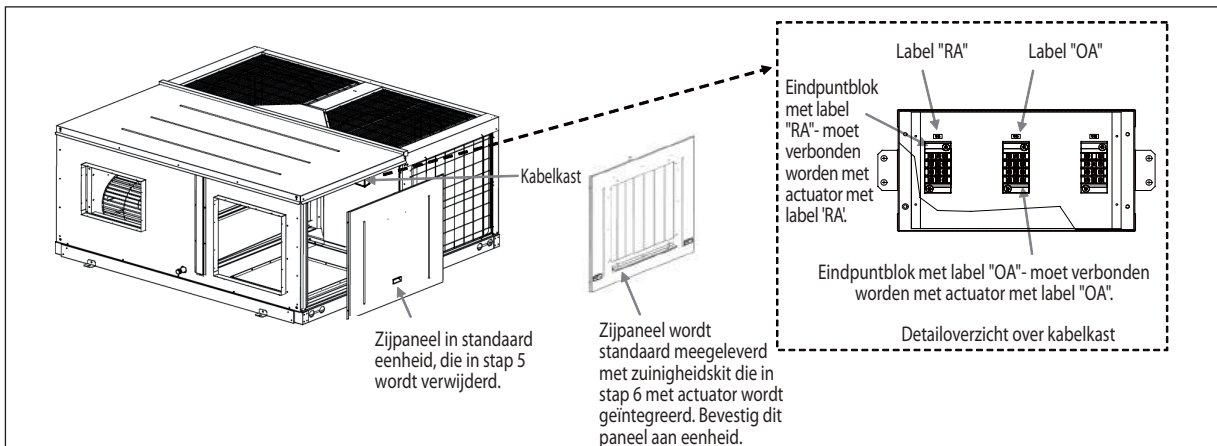
Sticker met bedradingsdiagram op de voorkant van de kabelkast.



LET OP

Verkeerde bedradingaansluiting kan zorgen, dat de aandrijver of het bord van de controller van de zuinigheidsmodule verkeerd werkt of ook beide. Klem de draden met afneembare kabelklemmen onder de kabelkast.

- Sluit Belimo actuator aan, LF24-SR (item 1) met label "OA", die zich nu bevindt bij de schokbreker voor de constructie aan het zijpaneel op het eindpuntblok met label "OA" binnen de kabelkast. Volg dezelfde method gebruikt voor bedradingaansluiting tussen actuator "RA" en eindpuntblok "RA". Vervolgens bevestigt u het zijpaneel aan de eenheid. Mogelijk dient u de actuatordraden goed te schikken door kabelklemmen te gebruiken (veldtoevoer), voordat u het zijpaneel aan de eenheid bevestigt.

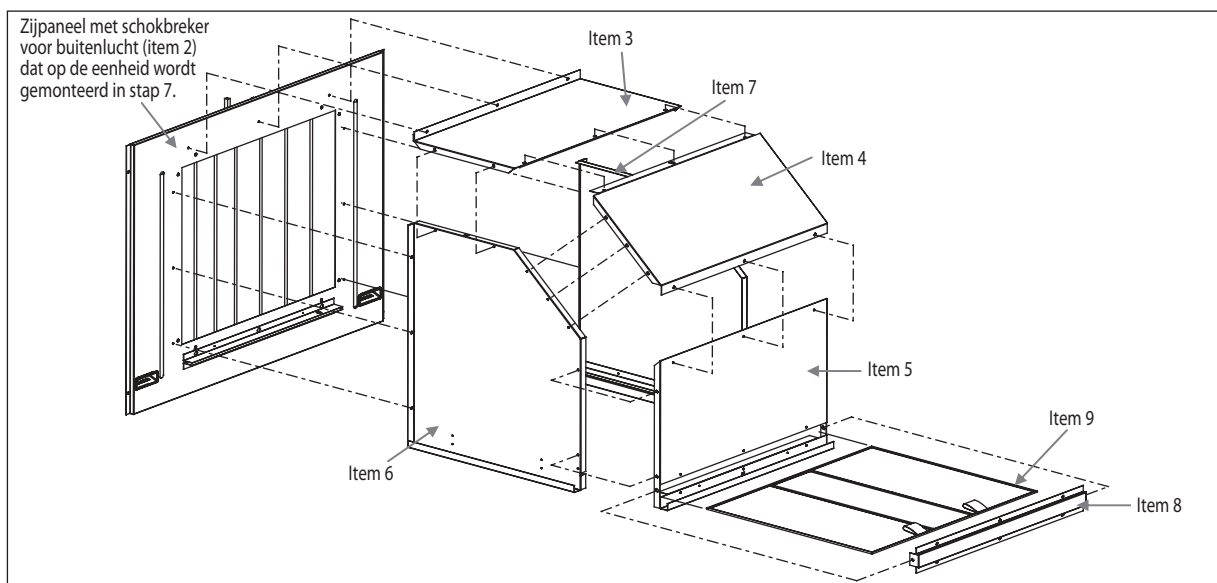


STAP 8

- Om de regenkap op te bouwen installeert u de losse onderdelen (metalen onderdelen) aan het zijpaneel. Voor dat, zet u het gaas (veldtoevoer) op het zijpaneel om dicht te maken.
- Volg vervolgens de installatiesequens hieronder om de regenkap op te bouwen:

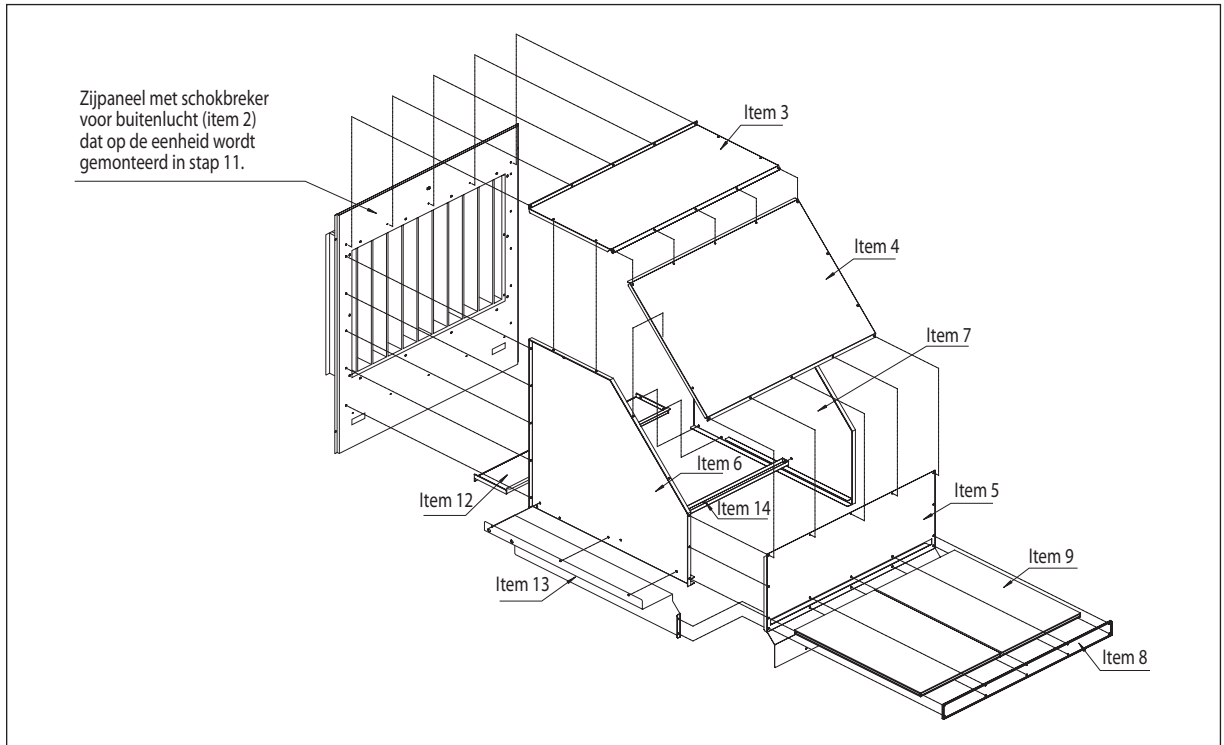
Model : UATYQ 250, 350, 450, 550, 600, 700

Item 2 -----> Item 6 -----> Item 7 -----> Item 3 -----> Item 4 -----> Item 5 -----> Item 9 -----> Item 8 -----> Afdichtmiddel



Model : UATYQ 900

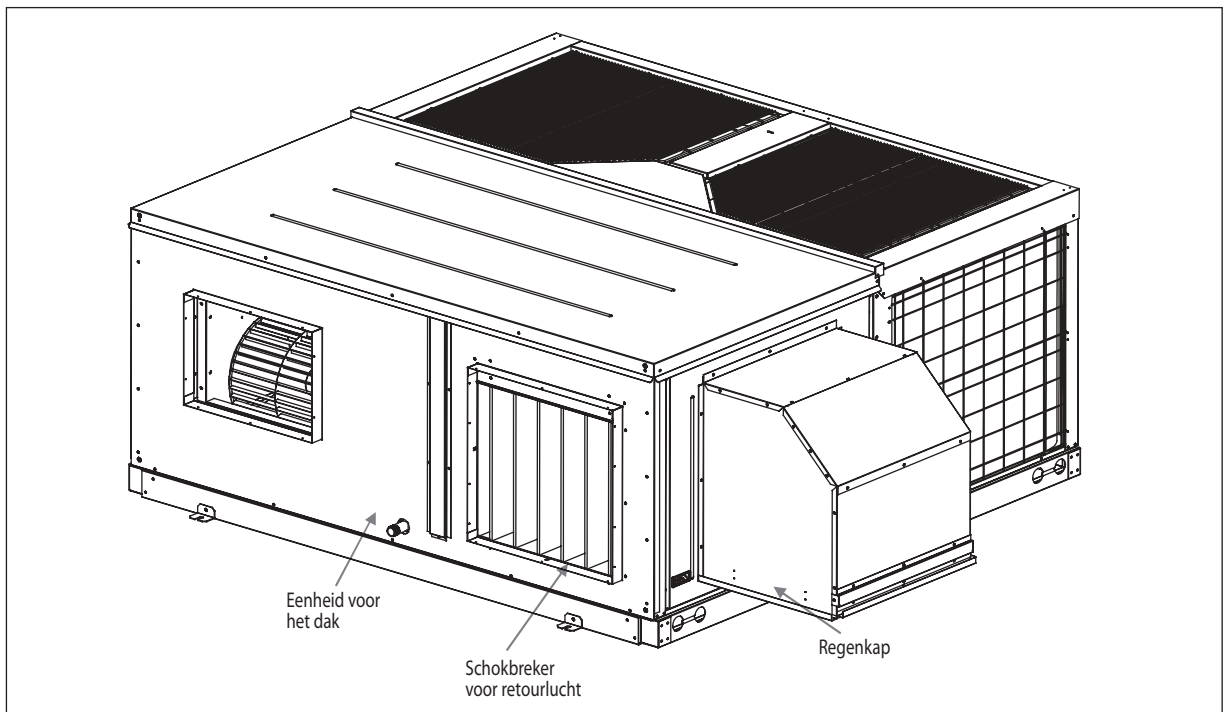
Item 2 -----> Item 6 -----> Item 7 -----> Item 12 -----> Item 14 -----> Item 5 -----> Item 4 -----> Item 3 -----> Item 13 -----> Item 9 -----> Item 8 -----> Afdichtmiddel



- Het wordt aanbevolen om verbindingstukken en gaten met waterbestendig afdichtmiddel af te dichten (zoals silicone, een in het veld geleverd item) om ervoor te zorgen dat er een waterbestendige afwerking op de regenkap komt.

STAP 9

- Tenslotte ziet u de eenheid met de zuinigheidskit, zoals u ziet in het onderstaande diagram:



Opmerking

Enheid weergegeven in de diagrammen van stap 1 tot stap 9 zijn UATYQ350. Voor andere modellen moet dezelfde methode worden gebruikt.
Enheid weergegeven in de diagrammen van stap 1 tot stap 10 zijn UATYQ900. Voor andere modellen moet dezelfde methode worden gebruikt.

(ii) Toepassing naar beneden retour (verticaal)

STAP 1

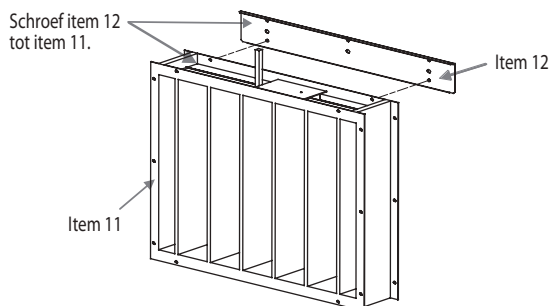
- Verbreek de verbinding van de stroomtoevoer naar de eenheid en installeer een label voor vergrendeling voor de veiligheid voor de installatie, inbedrijfstelling of service aan de zuinigheidskit. Breng alle nodige gereedschappen in gereedheid, zoals hierboven beschreven.

STAP 2

- Maak de houten krat van de zuinigheidskit open door de koevoet en de hamer te gebruiken. Verwijder vervolgens de plastic wikkels die de losse onderdelen en de sluitingen bevatten door het snijdmes te gebruiken. Voer de controle voor de installatie uit zoals hierboven beschreven.

STAP 3

- Bevestig de steunbeugel, neerwaarts (item 12) tot schokbreker voor de retourlucht (item 11) door de schroef M5x16 (item 13) te gebruiken die u standaard in de kit vindt meegeleverd.



Opmerking

Ondersteuningsbeugel, neerwaarts (item 12) is niet beschikbaar bij de ECONO 700 & 900. Sla stap 3 over en ga naar stap 4 als u het economizer-pakket wilt installeren.

STAP 4

- Bevestig 1pc Belimo actuator, LF24-SR (item 1) aan schokbreker voor retourlucht (item 11). Lijn de opening van de actuator uit met de as van de schokbreker en steek deze in.



LET OP 1

De standaard instelling voor de schokbreker voor retourlucht (item 11) dient volledig geopend te zijn. Zorg dat deze schokbreker zich in de "volledig geopende" positie bevindt, voordat u de actuator bevestigt. Als u dit niet doet, zullen er fouten optreden als de eenheid normaal werkt.

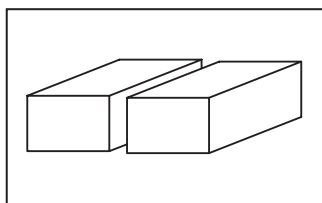


LET OP 2

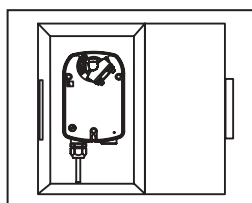
De oppervlakte van de actuator die naar boven gericht is/naar buiten dient te zijn gelabeld met het symbool "L" om zeker te zijn dat de modulatie van de actuator in de richting van met de klok mee plaatsvindt. Als u dit niet doet, zullen er fouten optreden als de eenheid met de zuinigheidsfunctie normaal werkt.

Opmerking

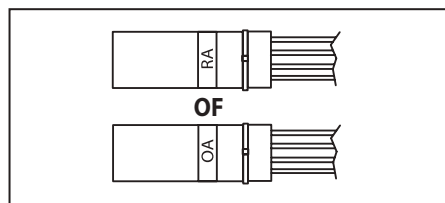
Er zijn twee stukken Belimo actuator, LF24-SR (item 1) in de zuinigheidskit die bij de kartonnen dozen wordt geleverd. Open de dozen en herken het label op de draad. De actuator die gebruikt wordt in stap 4 is de actuator met het label "RA".



Twee stuks van item 1 in kartonnen dozen.

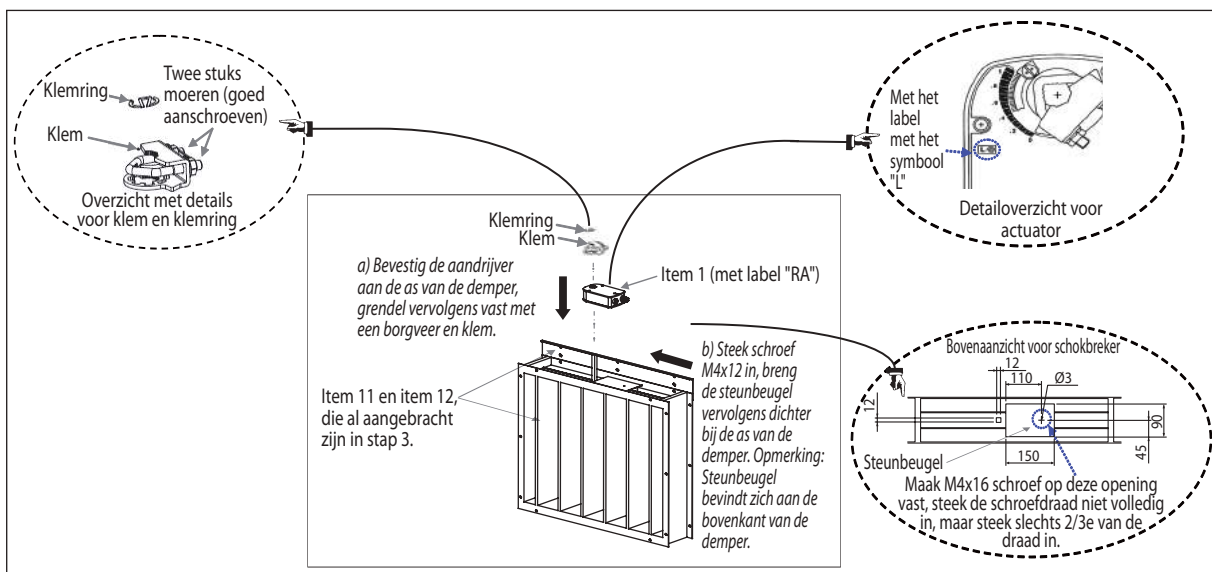


Open de doos.



Kijk naar het label op de draad. Een van hen wordt aangeduid met "RA", terwijl de andere "OA" is.

- Vervolgens maakt u de 1pc schroef M4x12 (item 14) op de steunbeugel van de schokbreker vast. Steek de schroefdraad niet volledig in, maar steek slecht tot maximal 2/3e van de schroefdraad in. Bevestig de actuator aan de steunbeugel door de steunbeugel dicht bij de as van de schokbreker te brengen. De functie van schroef M4x12 is om de actuator goed vast te houden en tijdens modulatie slippen te voorkomen.
- Vervolgens steekt u de klem in de as en vergrendelt de actuator met een klemring. Maak de moeren van de klem goed vast door de verstelbare spanner te gebruiken. Merk dat de klem en de klemring samen komen met de actuator als de standaard onderdelen. U kunt deze onderdelen binnen de doos van de actuator vinden.



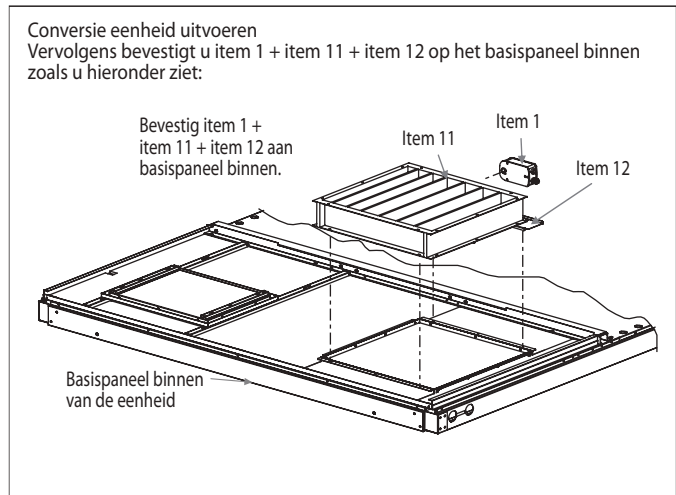
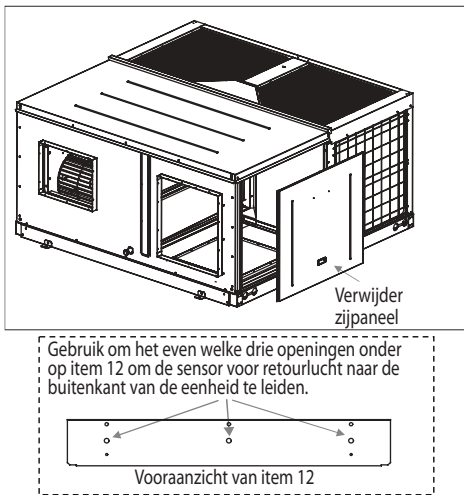
STAP 5

- Verwijder zijpaneel. Leid de conversie van de eenheid van standaard eenheid naar neerwaartse eenheid door de stappen te volgen die men beschreven vindt in deel (G) onder het hoofdstuk "INSTALLATIE VAN DE EENHEID" in deze handleiding.
- Vervolgens installeert u de schokbreker voor de retourlucht (item 11) + steunbeugel, neerwaarts (item 12) + Belimo actuator, LF24-SR (item 1) die al aangebracht zijn in stap 3 en stap 4 in het basispaneel binnen van de eenheid door de schroeven M5x16 (item 13) te gebruiken.



LET OP

Strek de sensor voor retourlucht uit die zich bevindt binnen de eenheid (aan de bovenkant van de opening voor retourlucht) tot het gebied buiten de eenheid. Men kan dit doen door de sensor door de kleine openingen op de steunbeugel te leiden, neerwaarts (item 12). De sensor is dan goed geplaatst binnen de leiding voor retourlucht door de kabelbinders (veldtoevoer) te gebruiken. Als u dit niet doet, kan dit invloed hebben op het functioneren van de eenheid en thermisch ongemak voor de gebruikers veroorzaken. Voor model ECON0700 en UATYQ700 kan de sensor-routing worden uitgevoerd via het kleine gat in de flens van de neerwaartse-retourluchtopening.



STAP 6

- Bevestig 1pc Belimo actuator, LF24-SR (item 1) aan het zijpaneel met schokbreker voor retourlucht (item 2). Lijn de opening van de actuator uit met de as van de schokbreker en steek deze in.



LET OP 1

De standaard instelling voor de schokbreker voor retourlucht (item 2) dient volledig gesloten te zijn. Zorg dat deze schokbreker zich in de "volledig gesloten" positie bevindt, voordat u de actuator bevestigt. Als u dit niet doet, zullen er fouten optreden als de eenheid normaal werkt.

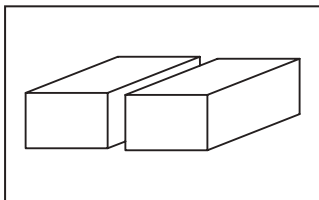


LET OP 2

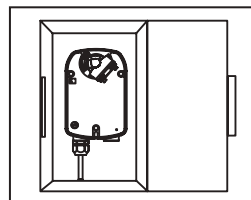
De oppervlakte van de actuator die naar boven gericht is/naar buiten dient te zijn gelabeld met het symbool "R" om zeker te zijn dat de modulatie van de actuator in de richting van met de klok mee plaatsvindt. Als u dit niet doet, zullen er fouten optreden als de eenheid met de zuinigheidsfunctie normaal werkt.

Opmerking

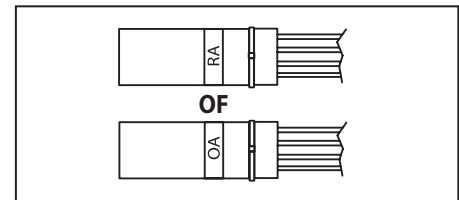
Er zijn twee stukken Belimo actuator, LF24-SR (item 1) in de zuinigheidskit die bij de kartonnen dozen wordt geleverd. Open de dozen en herken het label op de draad. De actuator die gebruikt wordt in stap 6 is de actuator met het label "OA".



Twee stuks van item 1 in kartonnen dozen.

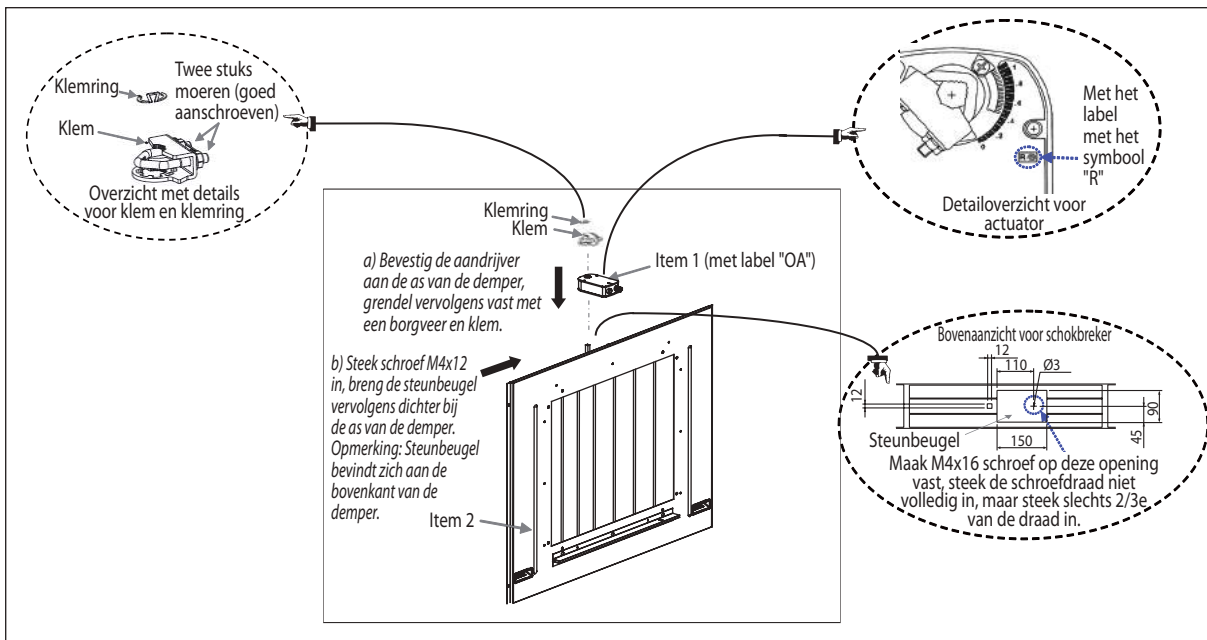


Open de doos.



Kijk naar het label op de draad. Een van hen wordt aangeduid met "RA", terwijl de andere "OA" is.

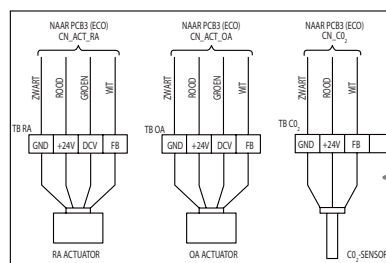
- Vervolgens maakt u de 1pc schroef M4x12 (item 14) op de steunbeugel van de schokbreker vast. Steek de schroefdraad niet volledig in, maar steek slecht tot maximal 2/3e van de schroefdraad in. Bevestig de actuator aan de steunbeugel door de steunbeugel dichter bij de as van de schokbreker te brengen. De functie van schroef M4x12 is om de actuator goed vast te houden en tijdens modulatie slippen te voorkomen.
- Vervolgens steekt u de klem in de as en vergrendelt de actuator met een klemring. Maak de moeren van de klem goed vast door de verstelbare spanner te gebruiken. Merk dat de klem en de klemring samen komen met de actuator als de standaard onderdelen. U kunt deze onderdelen binnen de doos van de actuator vinden.



STAP 7

- Sluit Belimo actuator aan, LF24-SR (item 1) met label "RA", die zich nu bevindt bij de schokbreker voor de constructie aan het basispaneel binnen op het eindpuntblok met label "RA" binnen de kabelkast.
- Er zijn vier draden op de actuator met verschillende kleuren (zwart, rood, groen en wit). Sluit de draden aan zoals u hieronder ziet:

- | | |
|----------------------------|--------------------------------------------------------------|
| Draad met een zwart kleur | - sluit aan op eerste pool van aansluitblok met label "GND". |
| Draad met een rode kleur | - sluit aan op tweede pool van eindpuntblok met lade "+24V". |
| Draad met een groene kleur | - sluit aan op derde pool van eindpuntblok met lade "DCV". |
| Draad met een witte kleur | - sluit aan op vierde pool van eindpuntblok met lade "FB". |



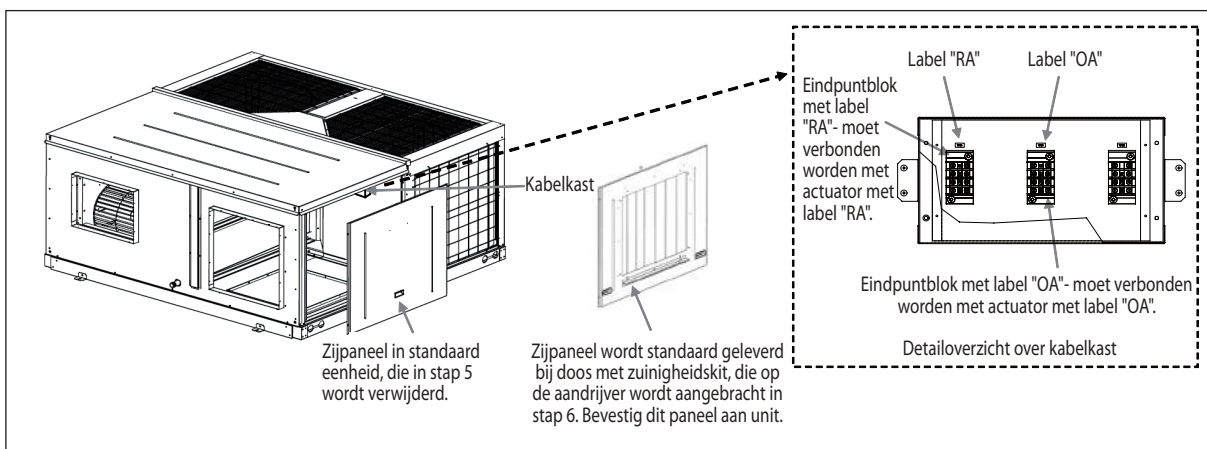
Sticker met bedradingsdiagram op de voorkant van de kabelkast.

(Raadpleeg de sticker met het bedradingsdiagram dat zich bevindt op de voorkant van de kabelkast.)

! LET OP

Verkeerde bedradingaansluiting kan zorgen, dat de aandrijver of het bord van de controller van de zuinigheidsmodule verkeerd werkt of ook beide. Klem de draden met afneembare kabelklemmen onder de kabelkast.

- Sluit Belimo actuator aan, LF24-SR (item 1) met label "OA", die zich nu bevindt bij de schokbreker voor de constructie aan het zijpaneel op het eindpuntblok met label "OA" binnen de kabelkast. Volg dezelfde method gebruikt voor bedradingaansluiting tussen actuator "RA" en eindpuntblok "RA". Vervolgens bevestig u het zijpaneel aan de eenheid. Mogelijk dient u de actuatordraden goed te schikken door kabelklemmen te gebruiken (veldtoevoer), voordat u het zijpaneel aan de eenheid bevestigd.

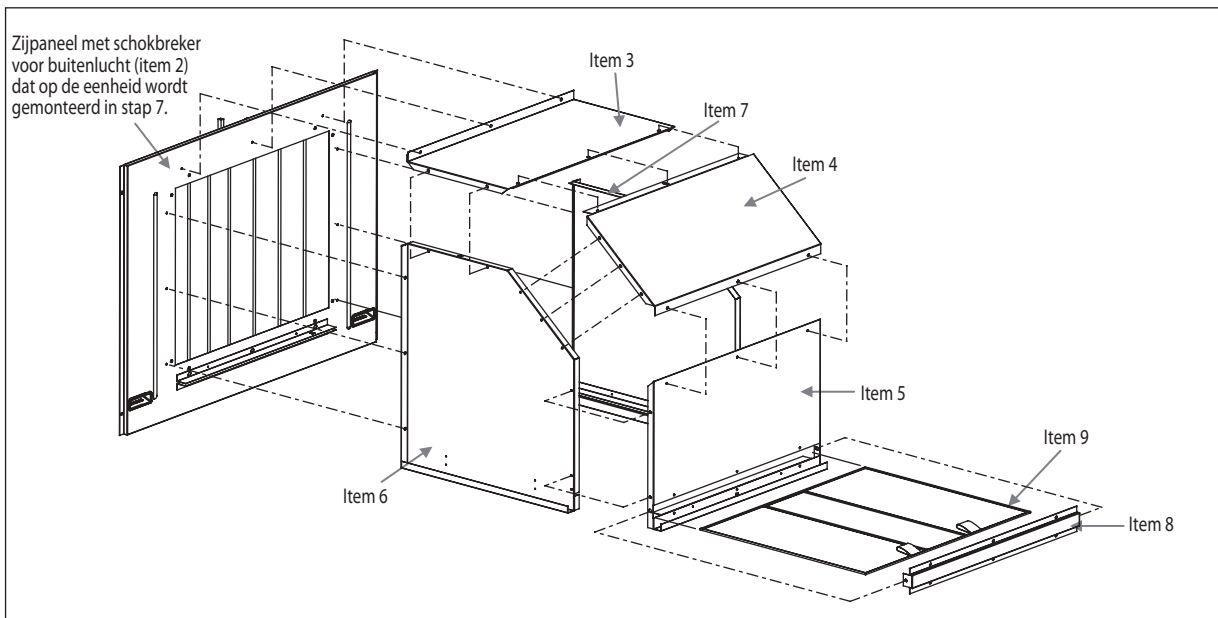


STAP 8

- Om de regenkap op te bouwen installeert u de losse onderdelen (metalen onderdelen) aan het zijpaneel. Voor dat, zet u het gaas (veldtoevoer) op het zijpaneel om dicht te maken.
- Volg vervolgens de installatiesequens hieronder om de regenkap op te bouwen:

Model : UATYQ 250, 350, 450, 550, 600, 700

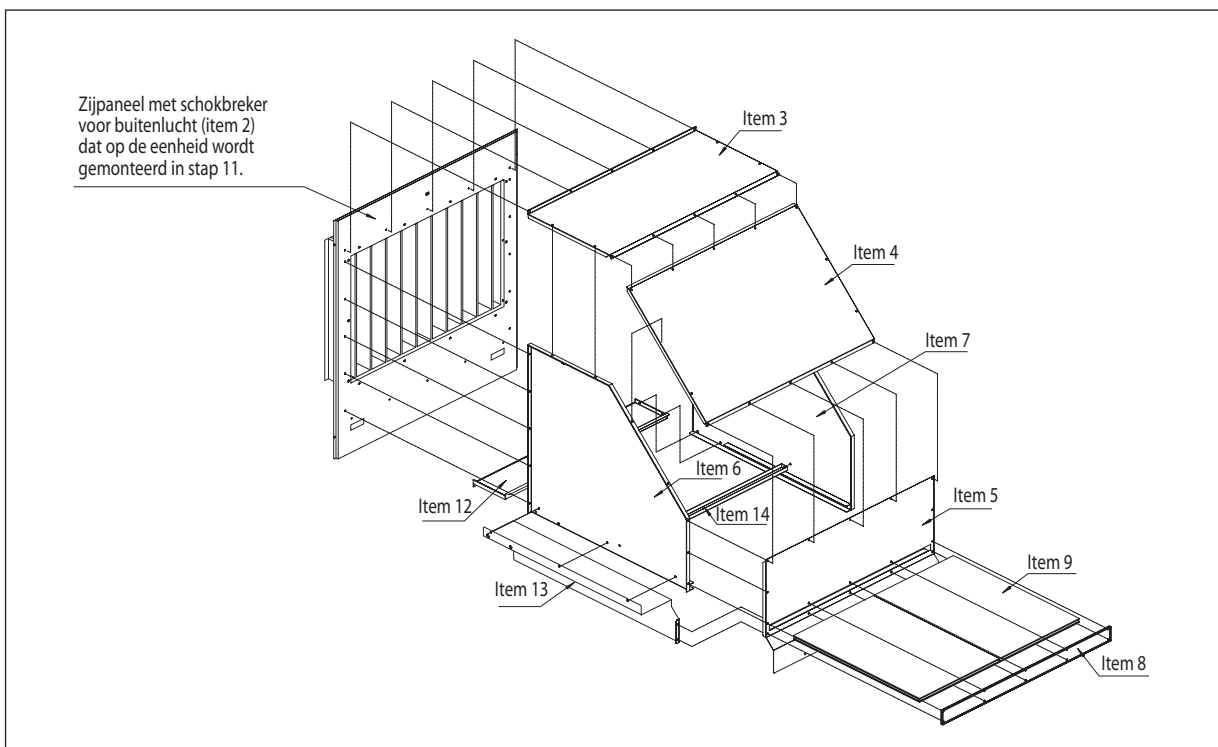
Gaas
Item 2 -----> Item 6 -----> Item 7 -----> Item 3 -----> Item 4 -----> Item 5 -----> Item 9 -----> Item 8 -----> Afdichtmiddel



- Het wordt aanbevolen om verbindingstukken en gaten met waterbestendig afdichtmiddel af te dichten (zoals silicone, een in het veld geleverd item) om ervoor te zorgen dat er een waterbestendige afwerking op de regenkap komt.

Model : UATYQ 900

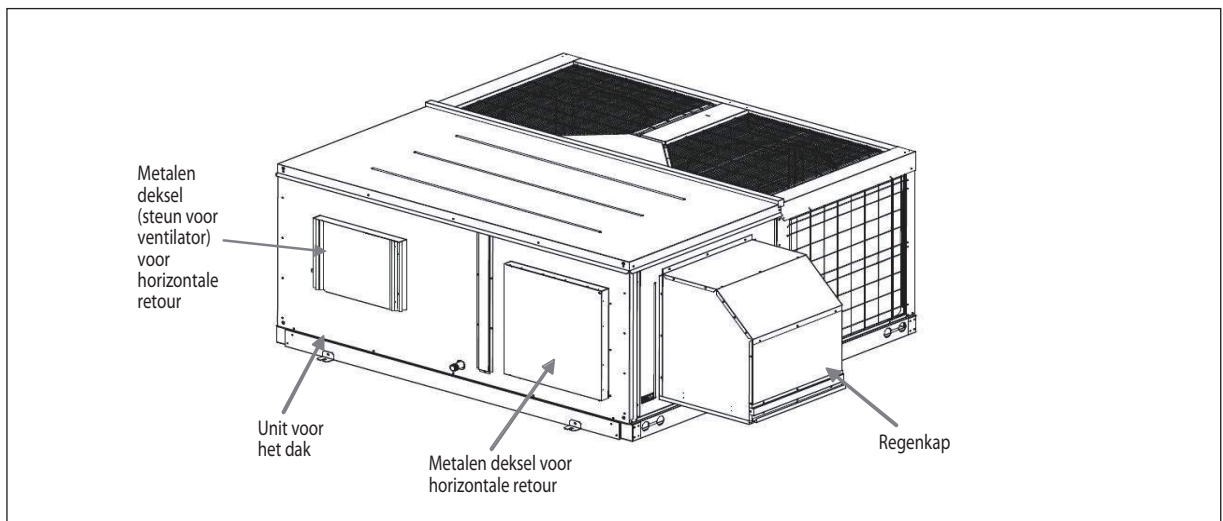
Gaas
Item 2 -----> Item 6 -----> Item 7 -----> Item 12 -----> Item 14 -----> Item 5 -----> Item 4 -----> Item 3 -----> Item 13 -----> Item 9 -----> Item 8 -----> Afdichtmiddel



- Het wordt aanbevolen om verbindingstukken en gaten met waterbestendig afdichtmiddel af te dichten (zoals silicone, een in het veld geleverd item) om ervoor te zorgen dat er een waterbestendige afwerking op de regenkap komt.

STAP 9 & STAP 10 (alleen voor UATYQ900).

- Tenslotte ziet u de eenheid met de zuinigheidskit, zoals u ziet in het onderstaande diagram:
- Wanneer dakkromming nodig is voor neerwaartse toepassing, zie de aanbeveling in deel (C) onder het hoofdstuk "INSTALLATIE VAN DE EENHEID" in deze handleiding.



Opmerking

Eenheid weergegeven in de diagrammen van stap 1 tot stap 9 zijn UATYQ350. Voor andere modellen moet dezelfde methode worden gebruikt.

Eenheid weergegeven in de diagrammen van stap 1 tot stap 10 zijn UATYQ900. Voor andere modellen moet dezelfde methode worden gebruikt.

E In gebruik nemen

(i) **Weerstand luchtstroom**

Weerstand luchtstroom verwijst naar drukverlaging veroorzaakt door de zuinigheidskit. Voor de installatie, wordt het aanbevolen om de tabel voor drukverlaging te controleren. Deze vindt in het Technisch gegevensboek om het juiste ontwerp te selecteren.

(ii) **Aanpassing van hoe het apparaat werkt**

Functioneren van de eenheid zal verslechteren, als de eenheid in de modus met frisse lucht werkt. Dit hangt af van de selectie van de gebruiker. Voor de installatie wordt het aanbevolen om de tabel voor de correctiefactor te controleren. Deze vindt in het Technisch gegevensboek om het juiste ontwerp te selecteren.

(iii) **Selectie van de modus**

In het algemeen kan men met de kit twee modi selecteren: de modus Zuinigheidsmodule en modus Frisse lucht.

- Modus Zuinigheidsmodule: Zorgt voor "vrij" koelen, als de luchttemperatuur buiten geschikt is. Kan op zichzelf gebruikt worden of in samenhang met mechanisch koelen.
- Modus Frisse lucht: Zorg voor de minimale frisse lucht die noodzakelijk is voor ventilatie of plaatselijke eisen.

Opmerking

Zie de richtlijnen voor de instellen van het object dat u vindt in deel (D) (v) onder het hoofdstuk "BEDIENINGSGIDS REGELFUNCTIES" in deze handleiding voor de keuze van de modus.

(iv) **Selectie minimale frisse lucht**

Dit kit zorgt voor de keuze aan minimale frisse lucht van 0~25% voor zowel de koele als de hete modus. Terwijl de modus Zuinigheidsmodule en modus Ventilator kunnen zorgen voor maximaal 85% frisse lucht.

Opmerking

Zie de richtlijnen voor de instellen van het object dat u vindt in deel (D) (v) onder het hoofdstuk "BEDIENINGSGIDS REGELFUNCTIES" in deze handleiding voor de keuze van minimale frisse lucht.

(v) **Functie voor bescherming tegen te sterke koeling**

Thermisch ongemak kan plaatsvinden tijdens de koelomgeving op grond van de opening van de schokbreker voor de buitenlucht. Men kan deze situatie vermijden, als de functie voor bescherming tegen te sterke koeling geactiveerd is.

Opmerking

Zie de richtlijn voor de instelling van de objecten die u vindt in deel (D) (v) onder het hoofdstuk "BEDIENINGSGIDS REGELFUNCTIES" in deze handleiding voor de activering van de instelling voor te sterk gekoelde bescherming.

(vi) **Werkingsbereik**

Het ter zake doende werkbereik voor de eenheid met de zuinigheidsfunctie zelfde als normale eenheid. Zie het hoofdstuk "WERKINGSBEREIK" in deze handleiding.

Niettemin zal de beperking van de opening voor de frisse lucht optreden in hoge atmosfeer of lage atmosfeer om te zorgen dat de eenheid betrouwbaar werkt. Zie het Technische gegevensboek voor informatie over details.



LET OP

De prestaties zullen minder zijn bij hoge atmosfeer of lage atmosfeer, zie item (E)(ii).

(vii) **Luchtfilter**

Er is een gleuf voor een filter van 2" binnen de eenheid. Optioneel filter (veldtoevoer) wordt aanbevolen als de filtratie op de tweede laag, omdat de opening van de schokbreker voor buitenlucht stof en vuil binnen kan brengen.

F Service en onderhoud

(i) **Service van het filter**

De weerstand van de luchtstroom kan sterker worden, als het filter vuil wordt. Daarom, reinig het filter regelmatig, ten minste eens in de 2 weken. Luchtfilter in regenkap die blootgesteld is aan omgeving buiten kan mogelijk de kans lopen om beschadigd te worden door ongedierte of dieren. Vervang het luchtfilter, wanneer dit beschadigd is.

(ii) **Service voor het compartiment binnen**

De opening van de schokbreker voor buitenlucht kan nog steeds stof en vuil binnenbrengen, want het kapfilter kan de vuildeeltjes niet volledig uitfilteren. Daarom moet het binnencompartiment schoongemaakt worden en moet men ook service verlenen aan het filter.

(iii) **Service voor de schokbreker**

Veeg de vuile schokbreker schoon, met name de schokbreker voor buitenlucht die continu aan de omgeving is blootgesteld.

Opmerking

Zie het hoofdstuk "SERVICE EN ONDERHOUD" in deze handleiding.

G Vragen om regeling van de ventilatie

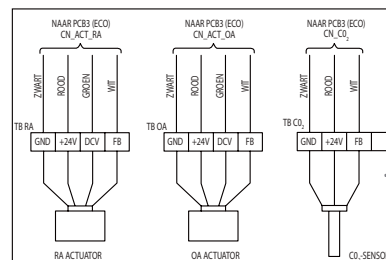
- Eén techniek om het energieverbruik te verminderen en daarbij de luchtkwaliteit goed te houden, is vragen om geregelde ventilatie. In de plaats van het instellen van de doorvoer met een vaste vervangingsnelheid voor de lucht, wordt de sensor voor kooldioxide (CO₂-sensor) gebruikt om de snelheid dynamisch te regelen, gebaseerd op de emissies van de werkelijke gebruikers van het gebouw.
- CO₂-sensor is een optionele component die in het veld geleverd wordt. Zie de onderstaande informatie voor de aanbeveling van keuze CO₂-sensor:
 - Type: Type leiding bevestigd
 - Stroominput: 24 VDC, 50Hz
 - Bereik werktemperatuur: 0 ~ 52°C
 - Bereik temperatuur atmosfeer: -15 ~ 52°C
 - Metingsbereik: 0 ~ 5000 PPM (hangt af van toepassing)
 - Voltage output: 2 ~ 10 VDC
 - Draadafmeting: AWG18
 - Maximale toegestane stroom: 7A
 - Standaard voor compliance: Om plaatselijke en nationale regels te volgen
- De zuinigheidscontroller wordt standaard geleverd met ingebouwde software die klaar is voor de integratie van de CO₂-sensor. Deze wordt alleen geactiveerd in de zuinigheidsmodus. Het wordt de gebruiker toegestaan om de verschillende drempelwaarden te kiezen met dip-schakelaar 3. Zie de richtlijnen voor de instelling van het object die men ziet in deel (D) (v) in het hoofdstuk "BEDIENINGSGIDS REGELFUNCTIES" in deze handleiding voor de keuze van de drempelwaarde van het PPM-niveau van CO₂.

Bijvoorbeeld: Om een CO₂-sensor te gebruiken met meetbereik van 0 ~ 5000 PPM met de drempelwaarde op 1250PPM, dient de gebruiker de volgende stappen uit te voeren:-

 - Stap 1: Schakel SW4 in met de enige dip-schakelaar in het hoofdbord van de controller in de positie ON (standaard instelling van fabriek is in de positie OFF).
 - Stap 2: Schakel paneelparameter G6 in (zuinigheidsregeling) door de afstandsbediening in de positie '1' (ON) te zetten (standaard instelling van fabriek is in de positie '0' (OFF)),
 - Stap 3: Zorg dat SW2 in dip-schakelaar 4 (bord controller zuinigheidsmodule) in positie OFF staat (standaard instelling van fabriek is in de positie OFF).
 - Stap 4: Schakel SW1 in in dip-schakelaar 3 (bord controller zuinigheidsmodule) in positie ON (standaard instelling van fabriek is in de positie OFF).

{SW1 in dip-schakelaar 3 = 25%, door berekening betekent 25% van 5000 PPM of equivalent aan 1250 PPM}.
- Als de CO₂-sensor wordt blootgesteld aan de buitenomgeving, bedek de sensor dan met een spatwaterbestendige kast (IPX4) met een schroef als vergrendelmechanisme of vergelijkbare methode zodat wordt voorkomen dat er water in de CO₂-sensor binnendringt en mogelijk contact maakt met de sensor. De aansluiting van de CO₂-sensor wordt beschouwd als een onderdeel dat ONDER SPANNING STAAT.
- Vervolgens sluit u de draad van CO₂-sensor aan op de kabelkast in het binnencompartiment van de eenheid. Er zijn drie draden op de CO₂-sensor. Sluit de draden aan zoals u hieronder ziet:

- Draad voor aarding - sluit aan op eerste pool van eindpuntblok met lade "GND".
 - Draad onder +24VDC stroom - sluit aan op tweede pool van eindpuntblok met label "+24V".
 - Draad signaal output/feedback - sluit aan op derde pool van eindpuntblok met lade "FB".
- (Raadpleeg de sticker met het bedringsdiagram dat zich bevindt op de voorkant van de kabelkast.)

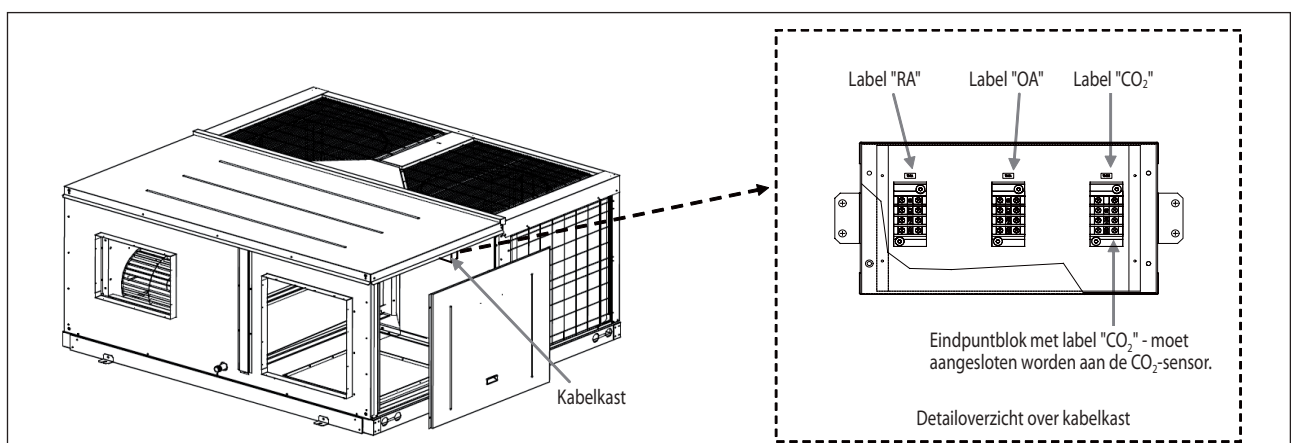


Sticker met bedringsdiagram op de voorkant van de kabelkast.



LET OP

De draden verkeerd aansluiten kan tot gevolg hebben dat de CO₂-sensor of het regelbord voor de zuinigheidsmodule of beide niet goed functioneren. Klem de draden met afneembare kabelklemmen onder de kabelkast.



H Anders

(i) **Beperking van de zuinigheidskit in de thermostaat-regeling**

Men maakt gebruik van thermostaatregeling met een controller van een derde partij en hierdoor kan de insteltemperatuur van de specifieke toepassing vastgesteld worden. In dit geval wordt het aanbevolen om de afstandsbediening te gebruiken om de vereiste insteltemperatuur in te stellen, voordat men de instelling voor het object voor thermostaatregeling wordt uitgevoerd.

Opmerking

Zie de richtlijnen voor de instellen van het object dat u vindt in deel (D) (v) onder het hoofdstuk "BEDIENINGSGIDS REGELFUNCTIES" in deze handleiding voor de keuze van de modus.

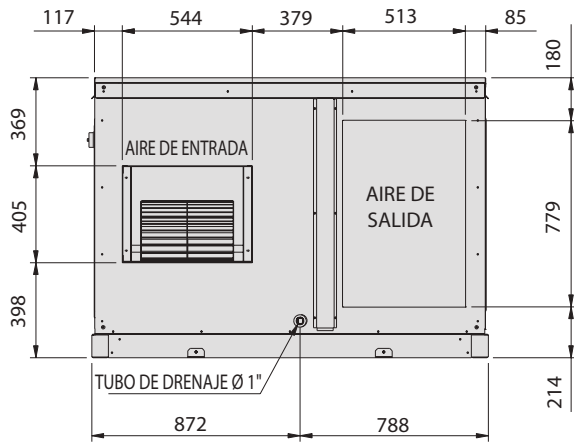
(ii) **Noodzakelijk voor drukontlasting**

Aanwezigheid van frisse lucht kan tot gevolg hebben hogere druk in de ruimte en ongemak voor de gebruikers. Wanneer noodzakelijk wordt het aangeraden om een schokbreker voor drukontlasting in de retourleiding te installeren.

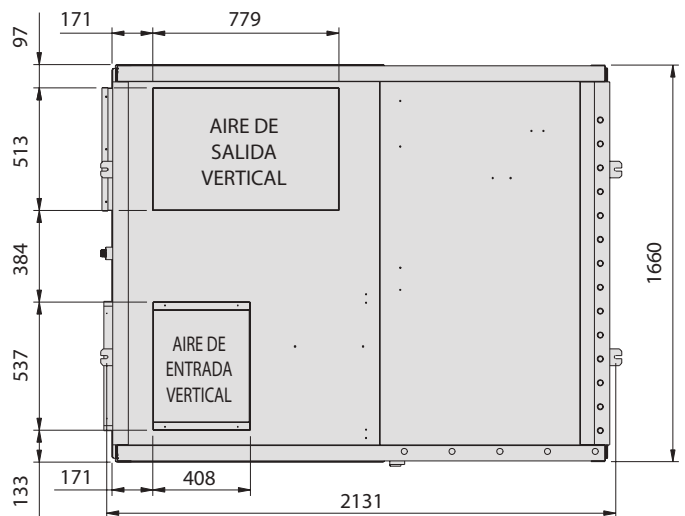
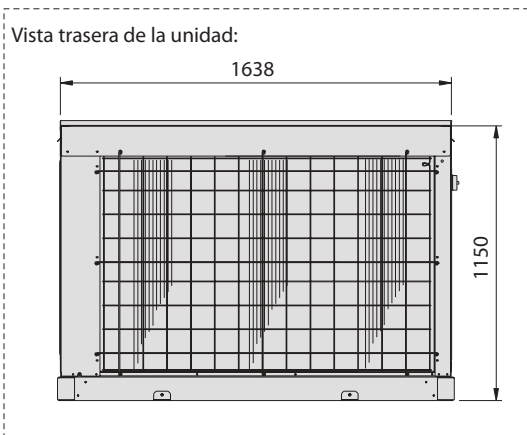
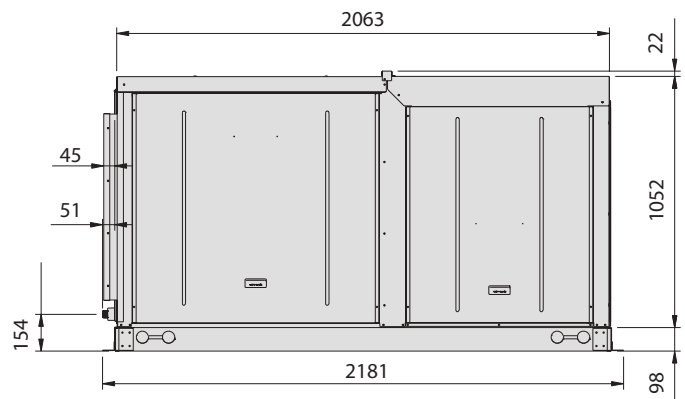
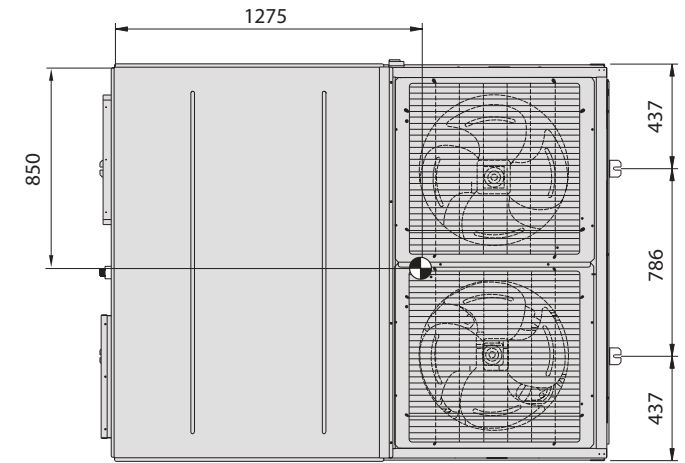
ESQUEMA Y DIMENSIONES

Modelo: UATYQ250

Todas las dimensiones están en mm



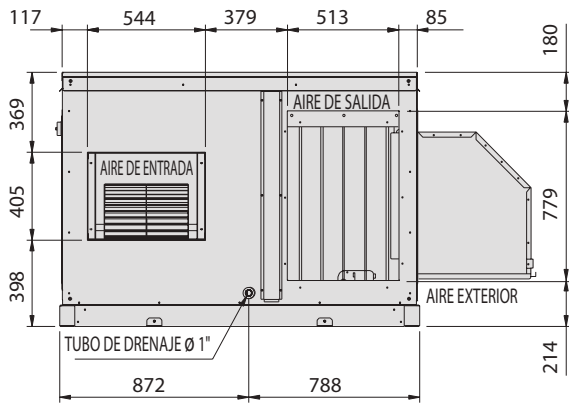
PARA DESCARGA HORIZONTAL



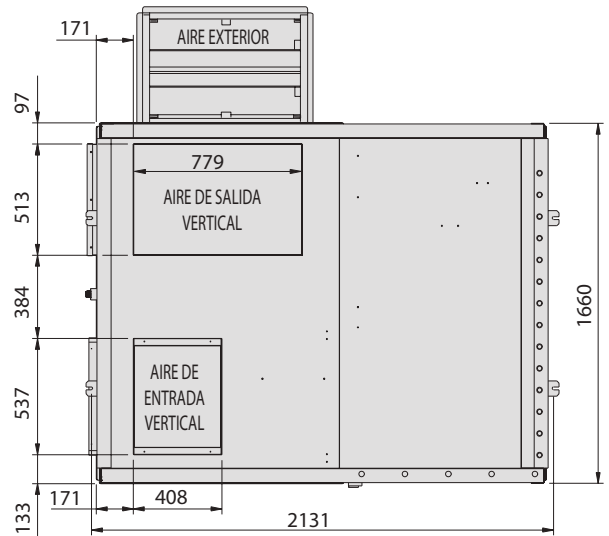
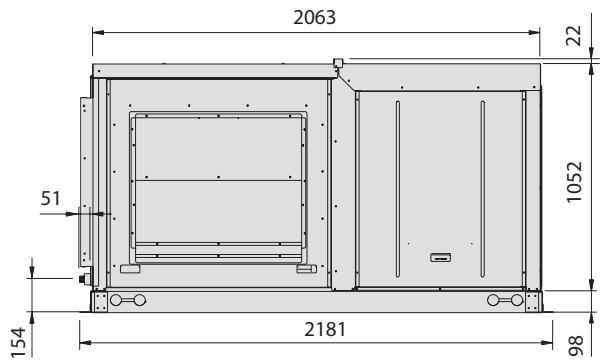
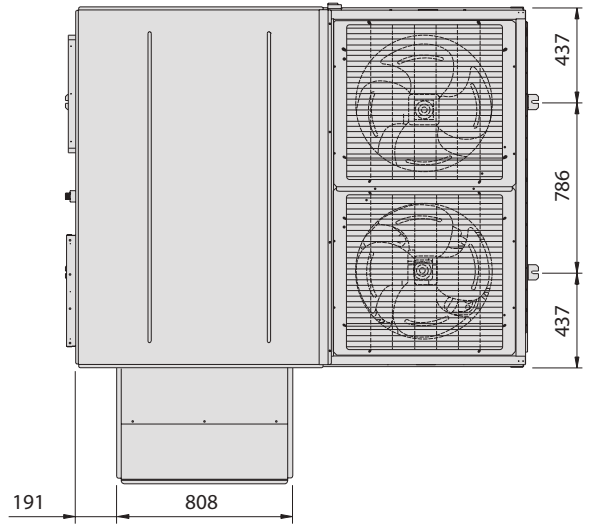
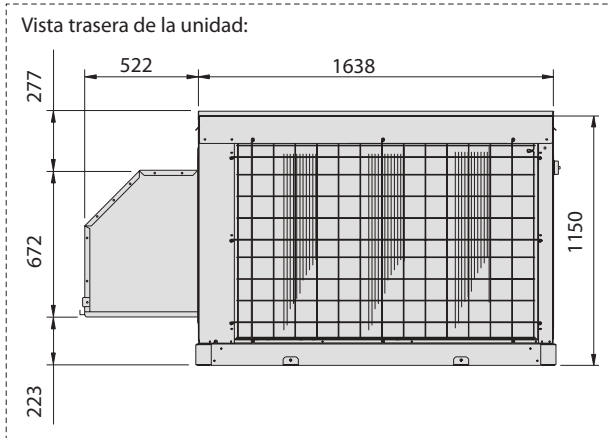
PARA DESCARGA VERTICAL

Modelo: UATYQ250 CON OPCIÓN DE ECONOMIZADOR

Todas las dimensiones están en mm

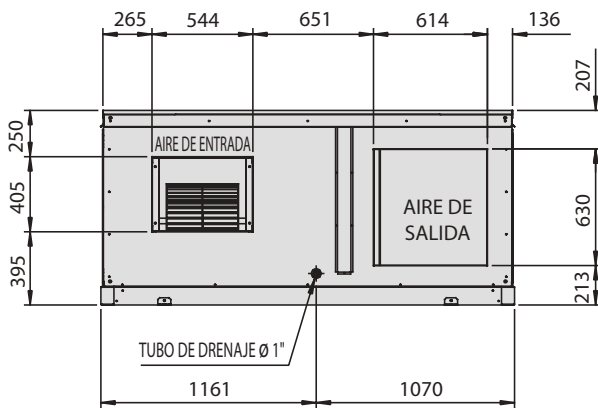
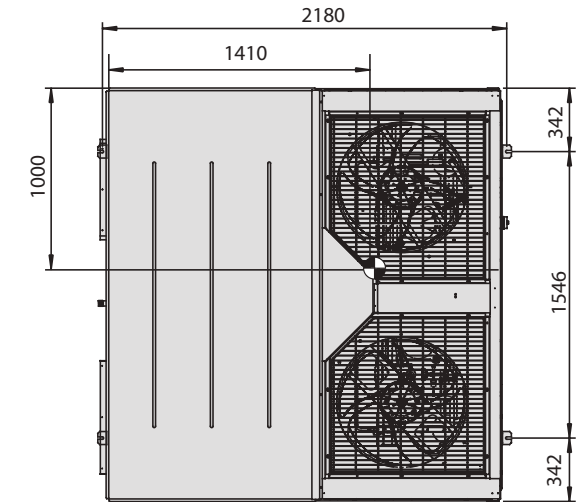


PARA DESCARGA HORIZONTAL

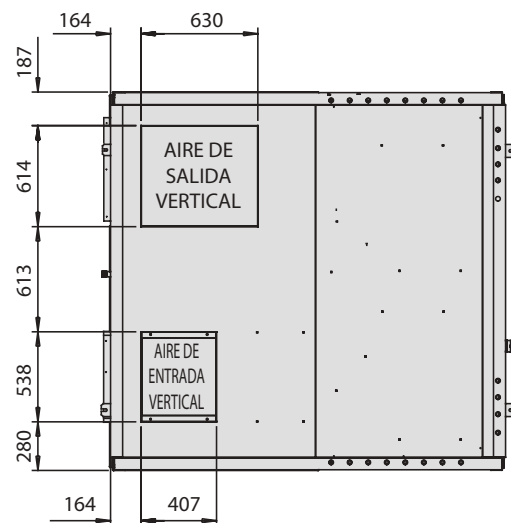
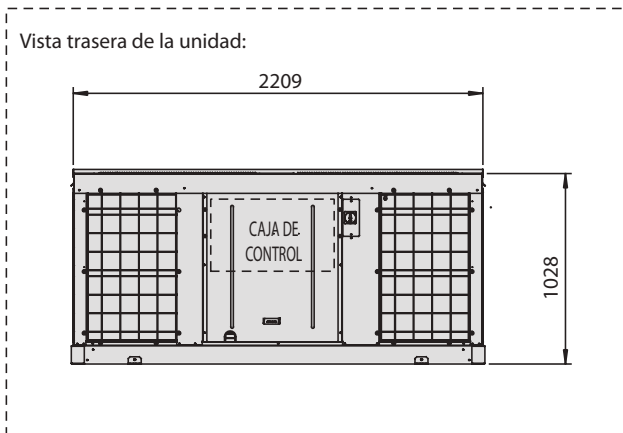
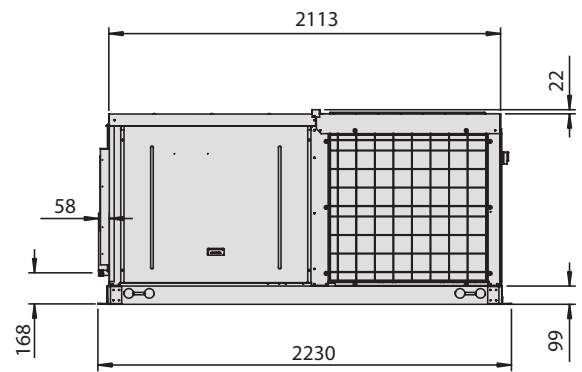


PARA DESCARGA VERTICAL

Todas las dimensiones están en mm



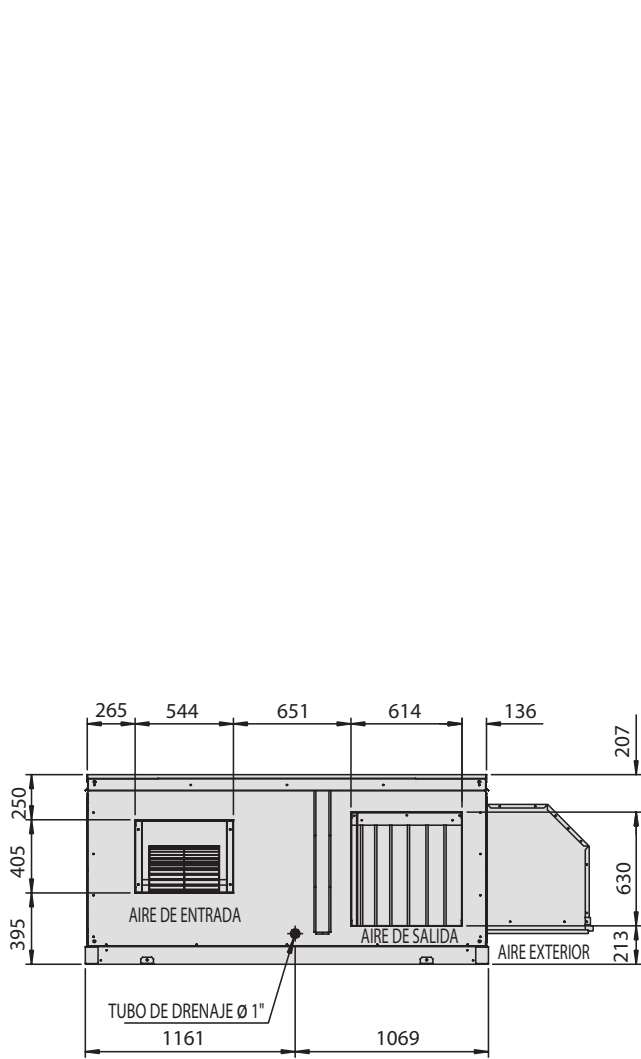
PARA DESCARGA HORIZONTAL



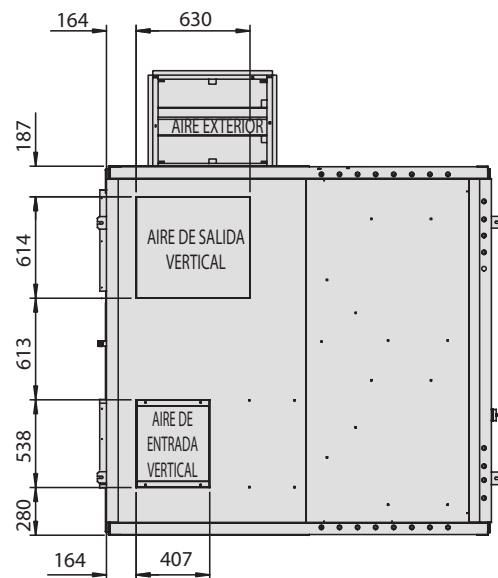
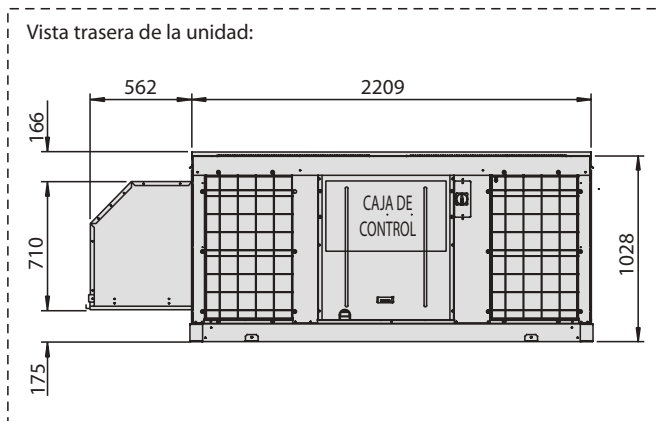
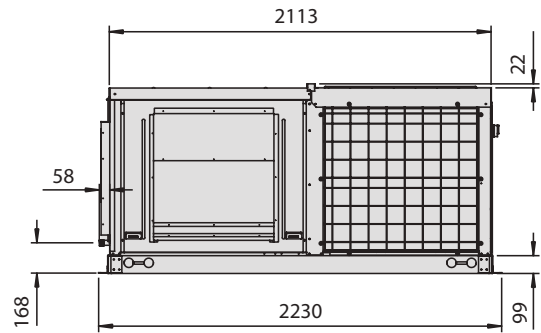
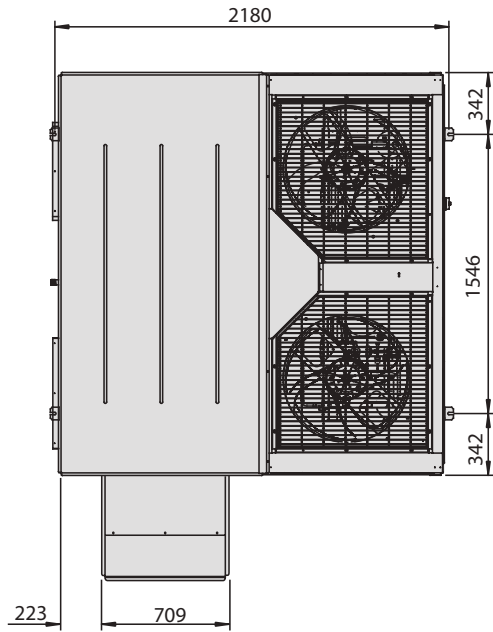
PARA DESCARGA VERTICAL

Modelo: UATYQ350 CON OPCIÓN DE ECONOMIZADOR

Todas las dimensiones están en mm

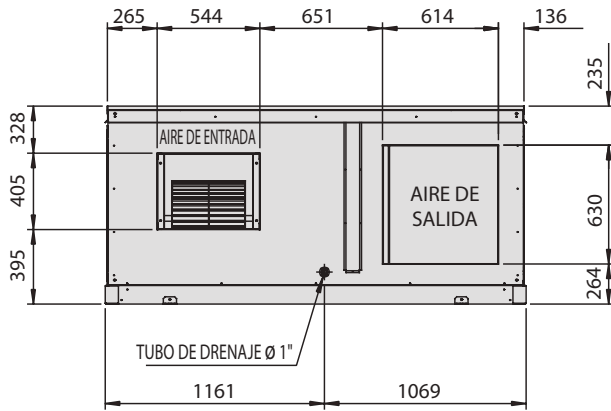


PARA DESCARGA HORIZONTAL

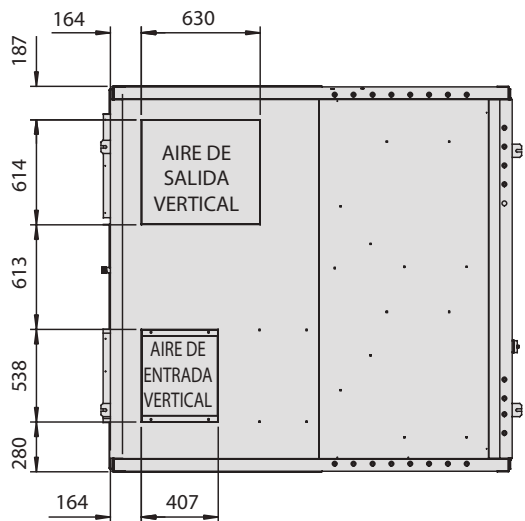
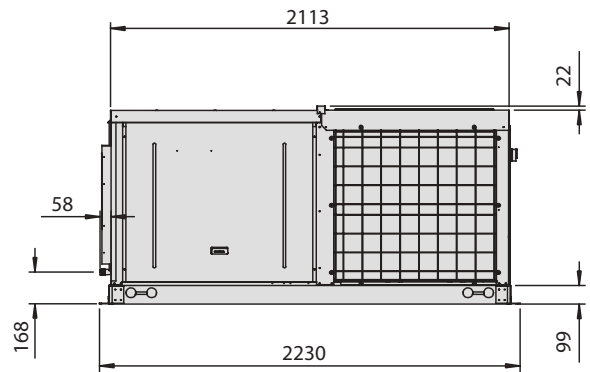
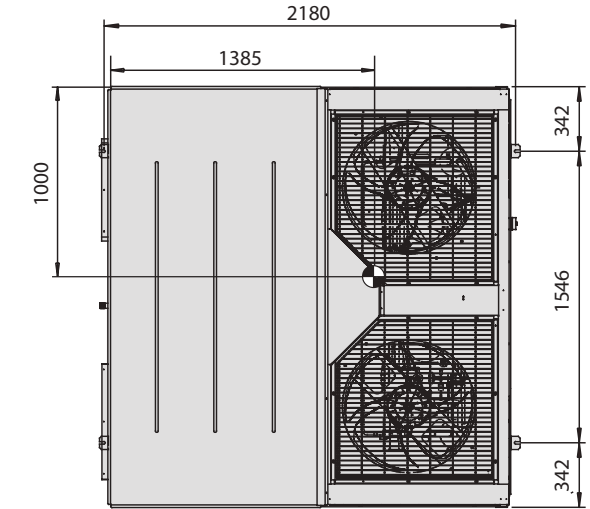
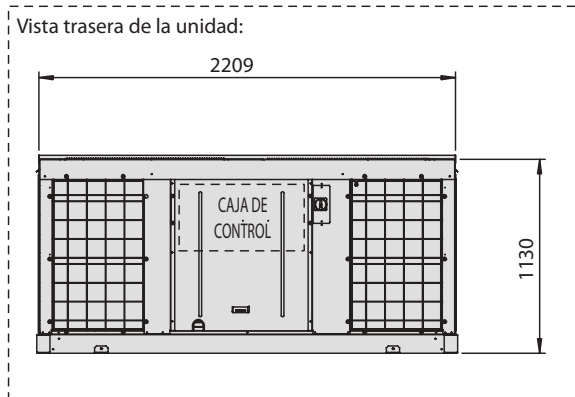


PARA DESCARGA VERTICAL

Todas las dimensiones están en mm



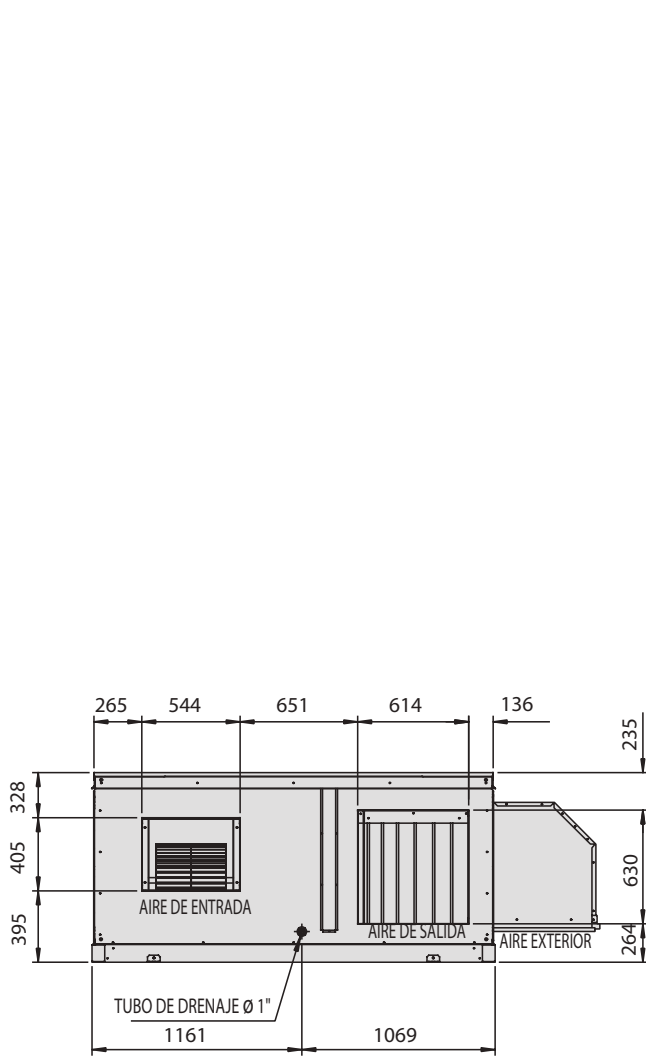
PARA DESCARGA HORIZONTAL



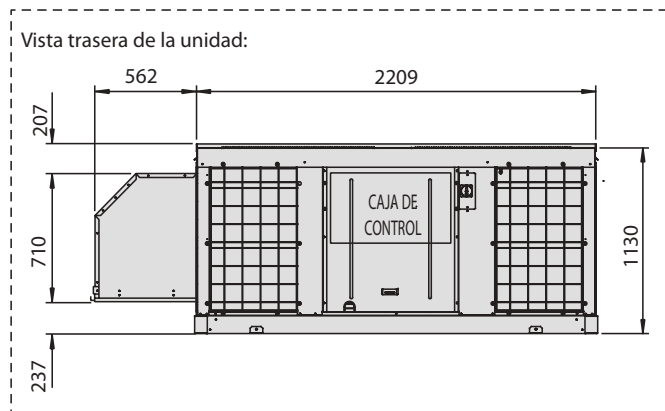
PARA DESCARGA VERTICAL

Modelo: UATYQ450 CON OPCIÓN DE ECONOMIZADOR

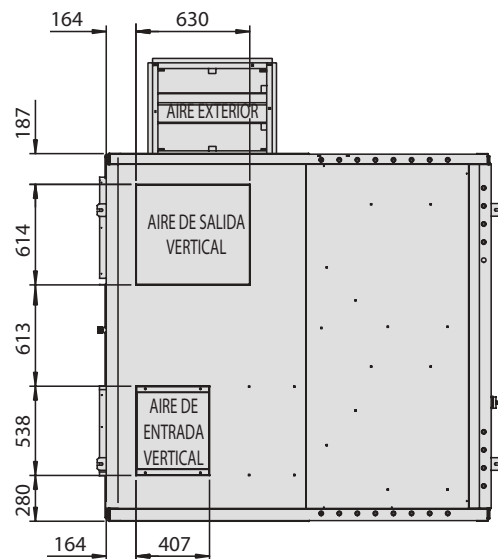
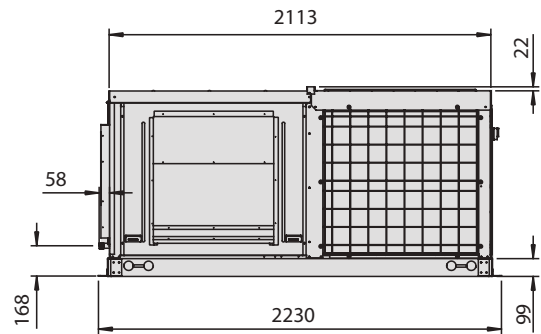
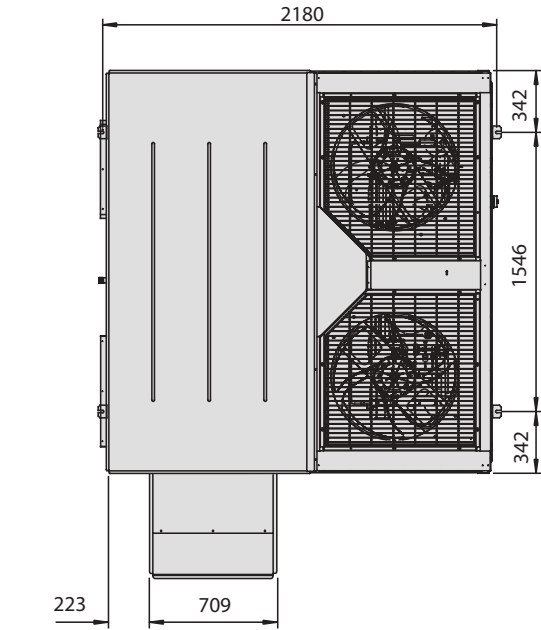
Todas las dimensiones están en mm



PARA DESCARGA HORIZONTAL

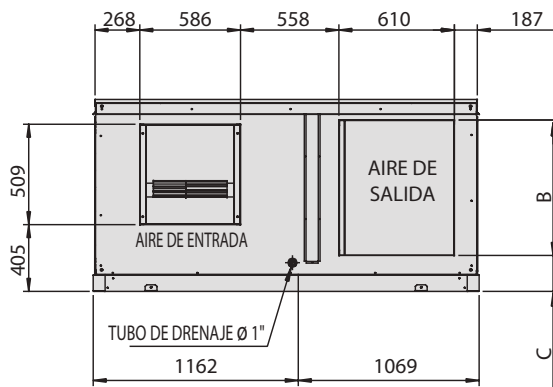
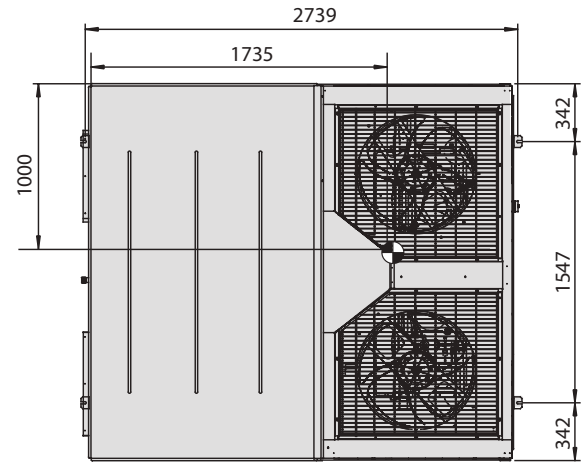


Vista trasera de la unidad:

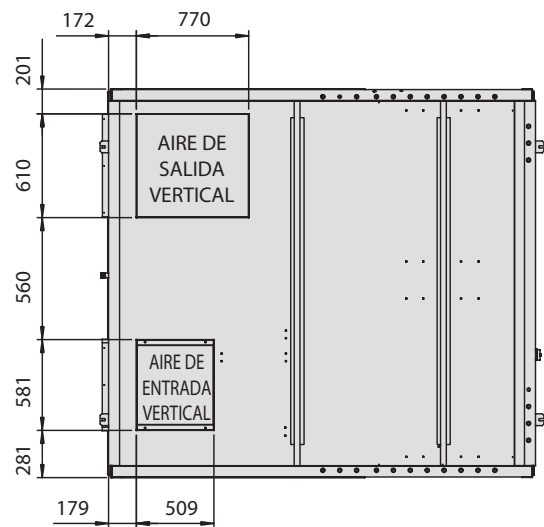
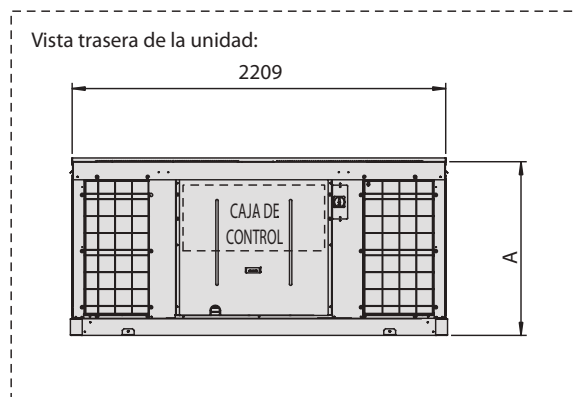
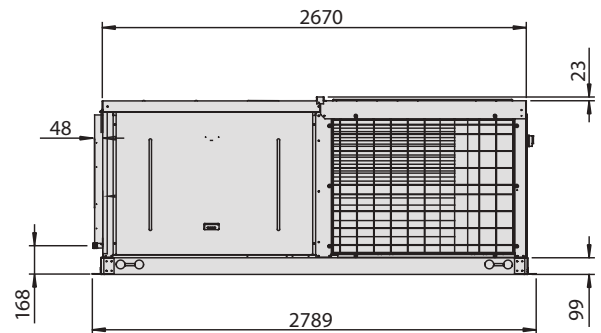


PARA DESCARGA VERTICAL

Todas las dimensiones están en mm



PARA DESCARGA HORIZONTAL



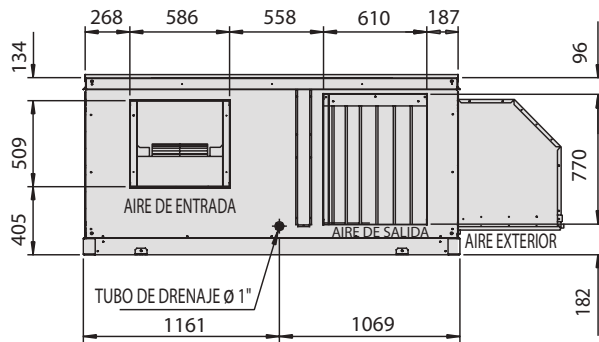
PARA DESCARGA VERTICAL

Modelo (UATYQ)	550	600	700	900
A	1048	1302	1454	1454
B	770	770	1176	1176
C	182	322	182	182

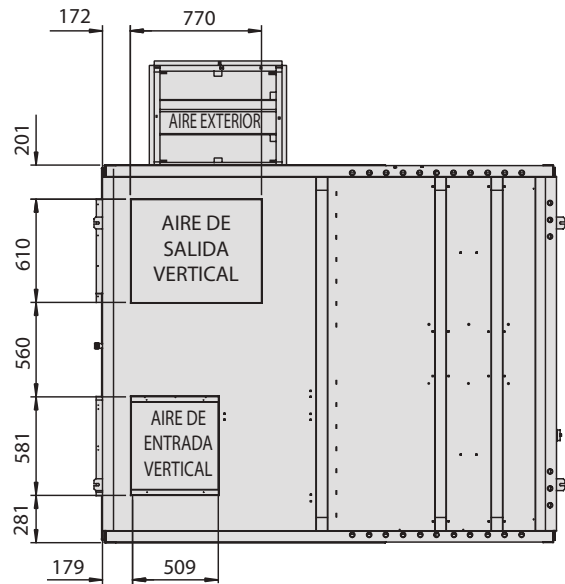
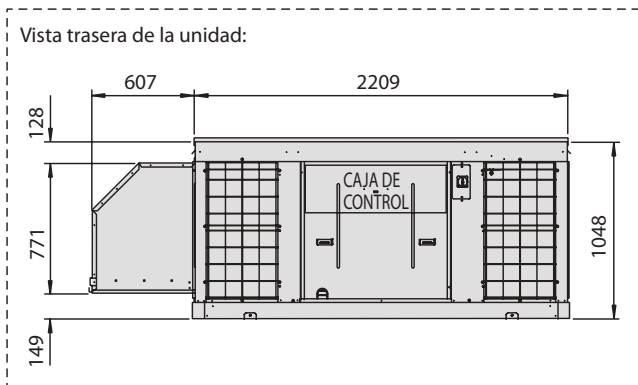
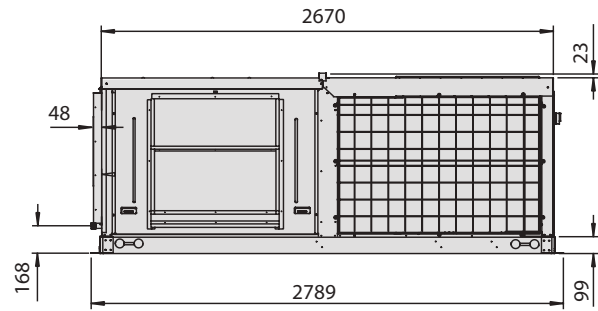
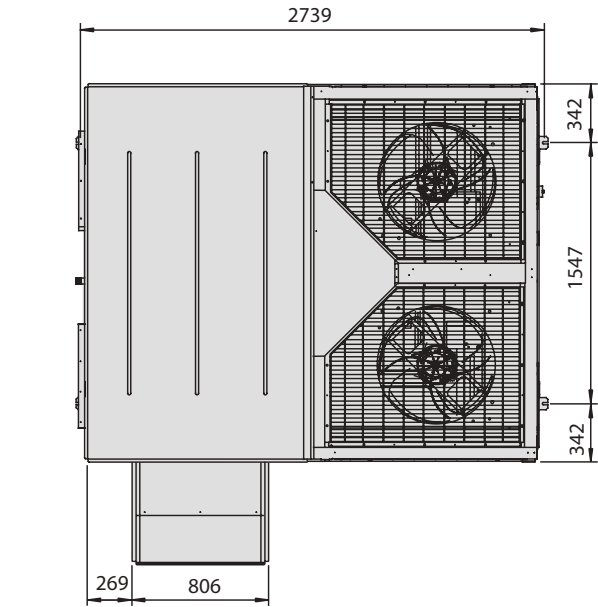
☉ CENTRO DE GRAVEDAD

Modelo: UATYQ550 CON OPCIÓN DE ECONOMIZADOR

Todas las dimensiones están en mm



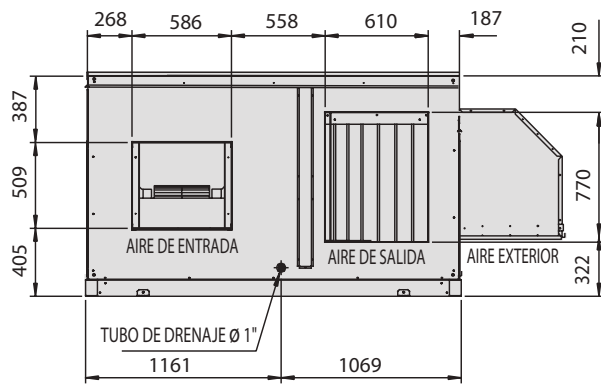
PARA DESCARGA HORIZONTAL



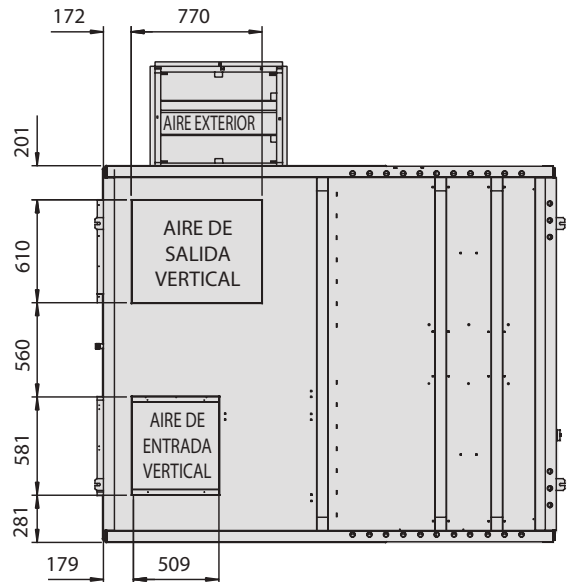
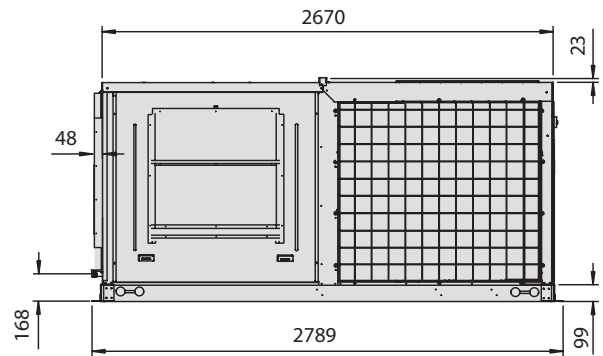
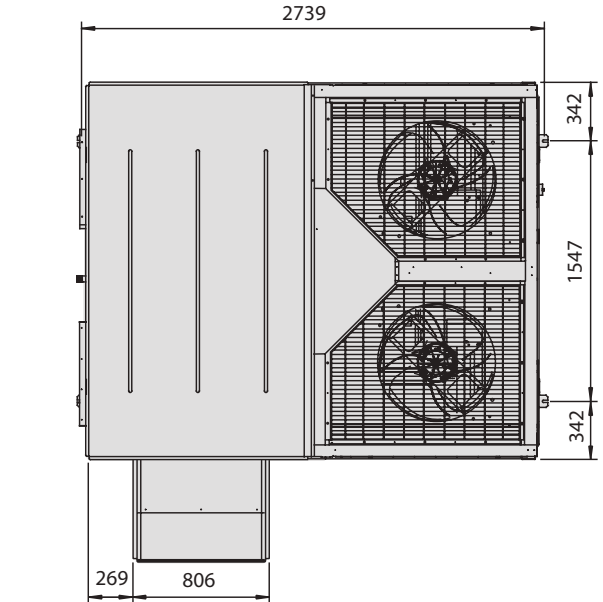
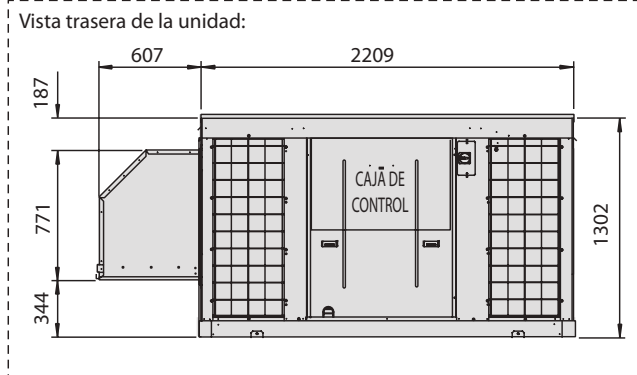
PARA DESCARGA VERTICAL

Modelo: UATYQ600 CON OPCIÓN DE ECONOMIZADOR

Todas las dimensiones están en mm



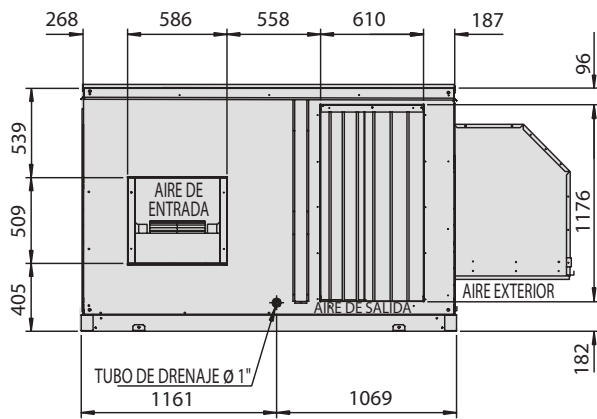
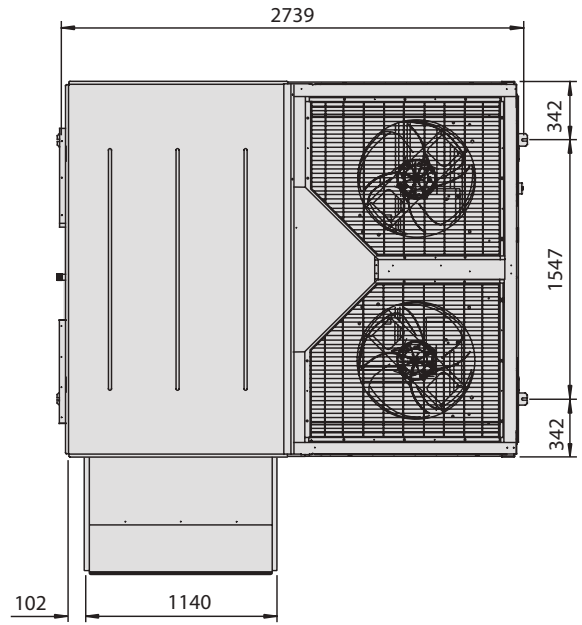
PARA DESCARGA HORIZONTAL



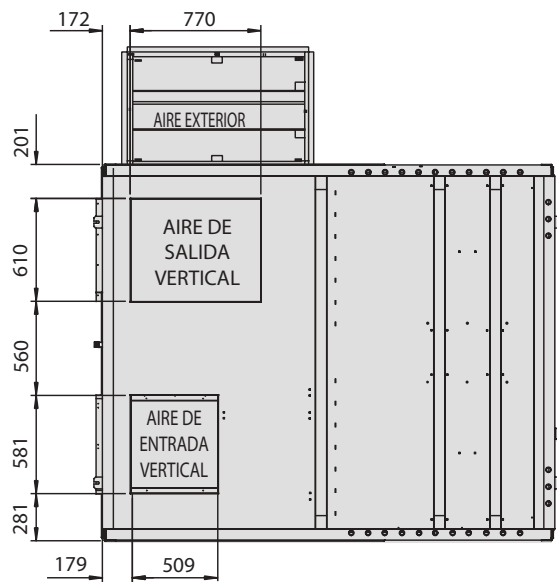
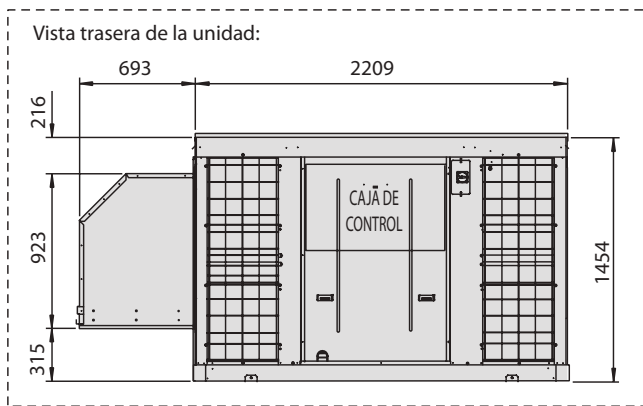
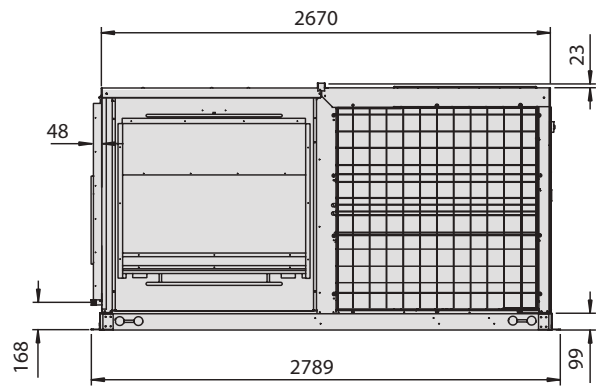
PARA DESCARGA VERTICAL

Modelo: UATYQ700 CON OPCIÓN DE ECONOMIZADOR

Todas las dimensiones están en mm



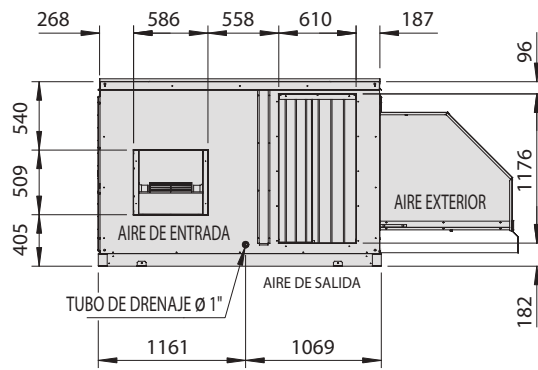
PARA DESCARGA HORIZONTAL



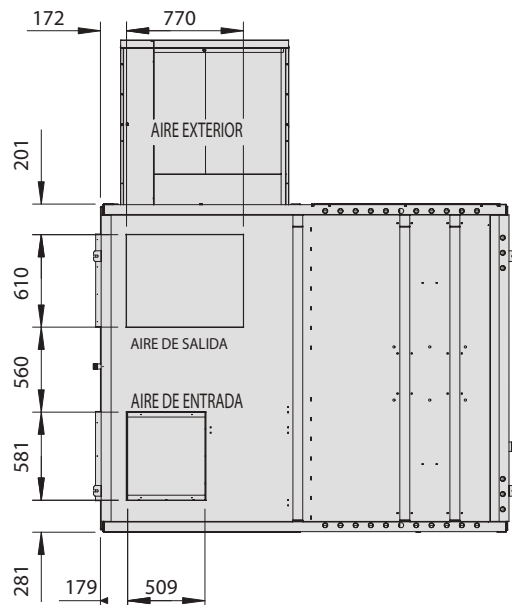
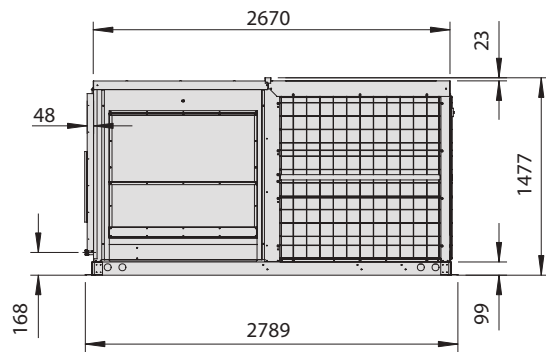
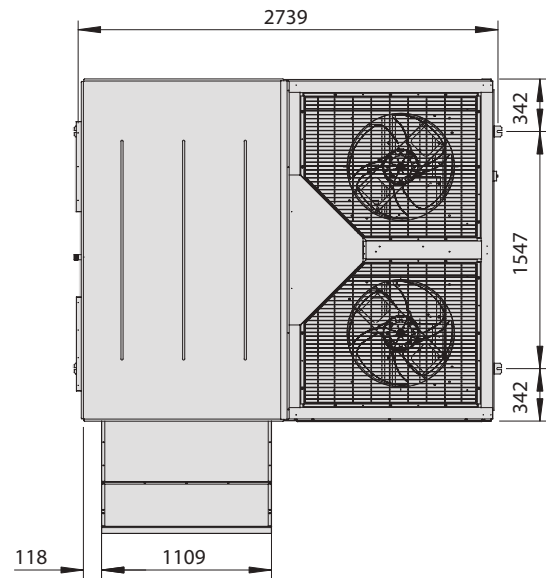
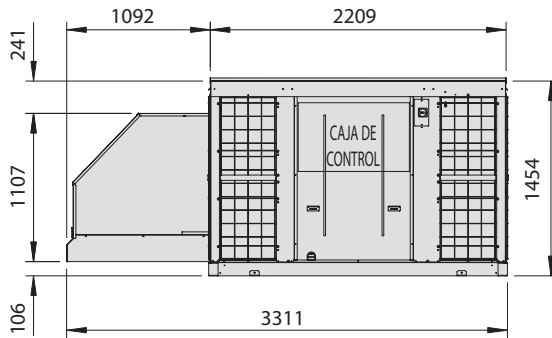
PARA DESCARGA VERTICAL

Modelo: UATYQ900 CON OPCIÓN DE ECONOMIZADOR

Todas las dimensiones están en mm



PARA DESCARGA HORIZONTAL



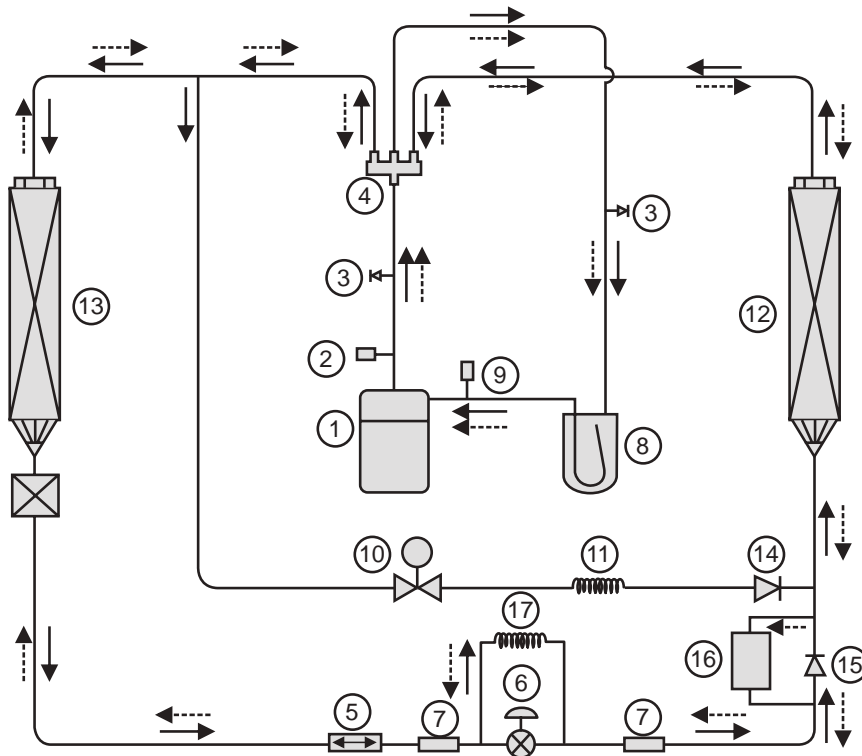
PARA DESCARGA VERTICAL

ESQUEMA DE CIRCUITOS DE REFRIGERANTE

Modelo: UATYQ 250, 350, 450, 550, 600, 700 & 900

→	Operación de refrigeración
←-----	Operación de calefacción

No	Descripción del ítem
①	Compresor
②	Interruptor de alta presión
③	Válvula de acceso
④	Válvula a 4 vías
⑤	Secador de filtro
⑥	Válvula de expansión electrónica
⑦	Depurador
⑧	Acumulador
⑨	Interruptor de baja presión
⑩	Válvula solenoide
⑪	Tubo capilar de derivación
⑫	Intercambiador de calor interior
⑬	Intercambiador de calor exterior
⑭	Revise la válvula 1
⑮	Revise la válvula 2
⑯	Compensador
⑰	Tubo capilar



- Nota:**
- (a) UATYQ350, 450, 550, 600, 700 & 900 está formado por 2 circuitos del sistema.
 - (b) Los elementos número 15 y 16 son aplicables solamente para UATYQ350.
 - (c) Los elementos número 17 son aplicables solamente para UATYQ700 & UATYQ900.

MANUAL DE INSTALACIÓN

Este manual facilita instrucciones de instalación que garanticen un seguro y buen funcionamiento de la unidad de aire acondicionado.

Es posible que sea necesario realizar un ajuste especial para adecuarse a los requisitos locales.

Por favor, antes de usar su equipo de aire acondicionado, lea cuidadosamente este manual de instrucciones, y consérvelo para futuras consultas.

Este aparato está diseñado para ser utilizado por especialistas o usuarios formados, en tiendas, industria ligera y en granjas, o para uso comercial por personas no expertas.

Este equipo no está previsto para ser utilizado por personas con discapacidades físicas, sensoriales o psicológicas, incluyendo a los niños, al igual que personas sin experiencia o conocimientos necesarios para ello, a menos que dispongan de una supervisión o instrucciones sobre el uso del equipo proporcionadas por una persona responsable de su seguridad. Deberá vigilarse a los niños para evitar que jueguen con el aparato.

PRECAUCIONES DE SEGURIDAD

IMPORTANTE

Información importante en relación al refrigerante utilizado

Este producto contiene gases fluorados de efecto invernadero. No vierta gases a la atmósfera.

Tipo de refrigerante: R410A

Valor GWP ⁽¹⁾: 2087,5

⁽¹⁾ GWP = global warming potential (potencial de calentamiento global)

La cantidad de refrigerante está indicada en la placa de nombre de la unidad.

Puede ser necesario realizar inspecciones periódicas para localizar fugas de refrigerante, dependiendo de la legislación europea o local vigente. Contacte, por favor, con su distribuidor local para obtener más información.

AVISO

En Europa, las **emisiones de gases de efecto invernadero** de la carga de refrigerante total del sistema (expresadas en toneladas de CO₂ equivalentes) se utilizan como referencia para determinar los intervalos de mantenimiento. Cumpla siempre la legislación en vigor.

Fórmula para calcular las emisiones de gases de efecto invernadero:

valor GWP del refrigerante x carga total de refrigerante [en kg] / 1000



ADVERTENCIA

- La instalación y el mantenimiento deben ser realizados por personas calificadas que estén familiarizadas con el código y los reglamentos locales y que tengan experiencia en este tipo de equipo.
- Todo el cableado de campo debe instalarse de acuerdo al reglamento de cableado nacional.
- Antes de comenzar la instalación eléctrica de acuerdo con el diagrama de cableado, asegúrese de que el voltaje nominal de la unidad se corresponde con el de la placa de identificación.
- La unidad debe estar PUESTA A TIERRA para evitar posibles peligros debidos a fallas del aislamiento.
- Ningún cable eléctrico debe tocar el conducto de refrigeración ni ninguna parte móvil de los motores de ventilación.
- Antes de iniciar la instalación o reparación de la unidad, asegúrese de que ha sido apagada (OFF).
- Desconéctela de la fuente de energía principal antes de una revisión de la unidad de acondicionador de aire.
- NO tire del cable de energía cuando esté en funcionamiento. Esto puede causar serias descargas eléctricas que pueden resultar en riesgo de incendio.
- Mantenga las unidades de aire acondicionado, el cable de suministro eléctrico y el cableado de transmisión, por lo menos a 1m de los televisores y radios, para evitar imágenes distorsionadas y estáticas. (Dependiendo del tipo y fuente de ondas eléctricas, se mostrarán estáticas incluso a más de 1m de distancia).
- El uso previsto del equipamiento no es en un ambiente potencialmente explosivo.



PRECAUCIÓN

Asegúrese de seguir durante la instalación los siguientes puntos importantes.

- **No instalar la unidad ahí donde pueda haber fuga de gas inflamable.**



Si el gas se escapa y se acumula alrededor de la unidad, podría iniciarse un incendio.

- **Asegúrese de que la tubería de desagüe está conectada correctamente.**



Si la tubería de desagüe no está conectada correctamente se puede producir una fuga de agua.

- **No sobrecargar la unidad.**



Esta unidad está pre-cargada en fábrica.

Su sobrecarga ocasionará sobre-corriente o rotura del compresor.

- **Asegúrese de que el panel de la unidad vuelve a cubrirla bien colocado o de cualquier reparación.**



Un panel mal sujetado hará que la unidad haga ruido al funcionar.

- **Los extremos afilados y superficies de la bobina son lugares potenciales que podrían provocar peligro de lesiones.**

Evite todo contacto con estas partes.

- **Antes de desenchufar la fuente de energía, coloque el interruptor de control remoto ON/OFF en posición "OFF" para impedir la molesta activación de la unidad.** Si no es así, los ventiladores de la unidad empezarán a girar automáticamente cuando se restablezca la corriente, significando un peligro para el personal técnico o para el usuario.

- **No opere aparatos de calor cerca de la unidad de aire acondicionado.**

- **No utilice cables con líos o juntas para la alimentación entrante.**

Requisitos para la eliminación:

El desmantelamiento de la unidad, así como el tratamiento del refrigerante, el aceite y otros componentes se debe realizar de acuerdo con la legislación aplicable.

INSTALACIÓN DE LA UNIDAD

A Emplazamiento para la in

- Instalar la unidad de manera que el aire descargado por la unidad no pueda ser aspirado nuevamente (como en el caso de un cortocircuito con el aire de descarga). Dejar espacio suficiente alrededor de la unidad para el mantenimiento.
- Cuando se instalan dos o más unidades en un emplazamiento, éstas deben ser colocadas de tal manera que una unidad no tome el aire de descarga de otra.
- Verificar que no haya obstrucción al flujo de aire hacia adentro y hacia afuera de la unidad. Retirar los obstáculos que bloquean la entrada o la descarga de aire.
- El emplazamiento debe estar bien ventilado, de manera que la unidad pueda aspirar y distribuir bastante aire.
- Se recomienda instalar la unidad en:-
 - Un sitio capaz de soportar el peso de la unidad y aislar el ruido y vibraciones.
 - Un sitio con drenaje adecuado.
 - Un lugar donde la unidad no será enterrada por la nieve.
 - Un lugar donde los puertos de entrada de aire y el orificio de salida de aire no esté expuesto a vientos fuertes.
 - Un lugar donde la descarga de aire y el nivel de sonido en funcionamiento no moleste a los vecinos.
 - La ubicación donde no sea accesible al público general.

Nota

- Para instalar con kit economizador, siga las recomendaciones facilitadas en (B) (iii) en el capítulo "ACCESORIO OPCIONAL" en este manual.



ADVERTENCIA

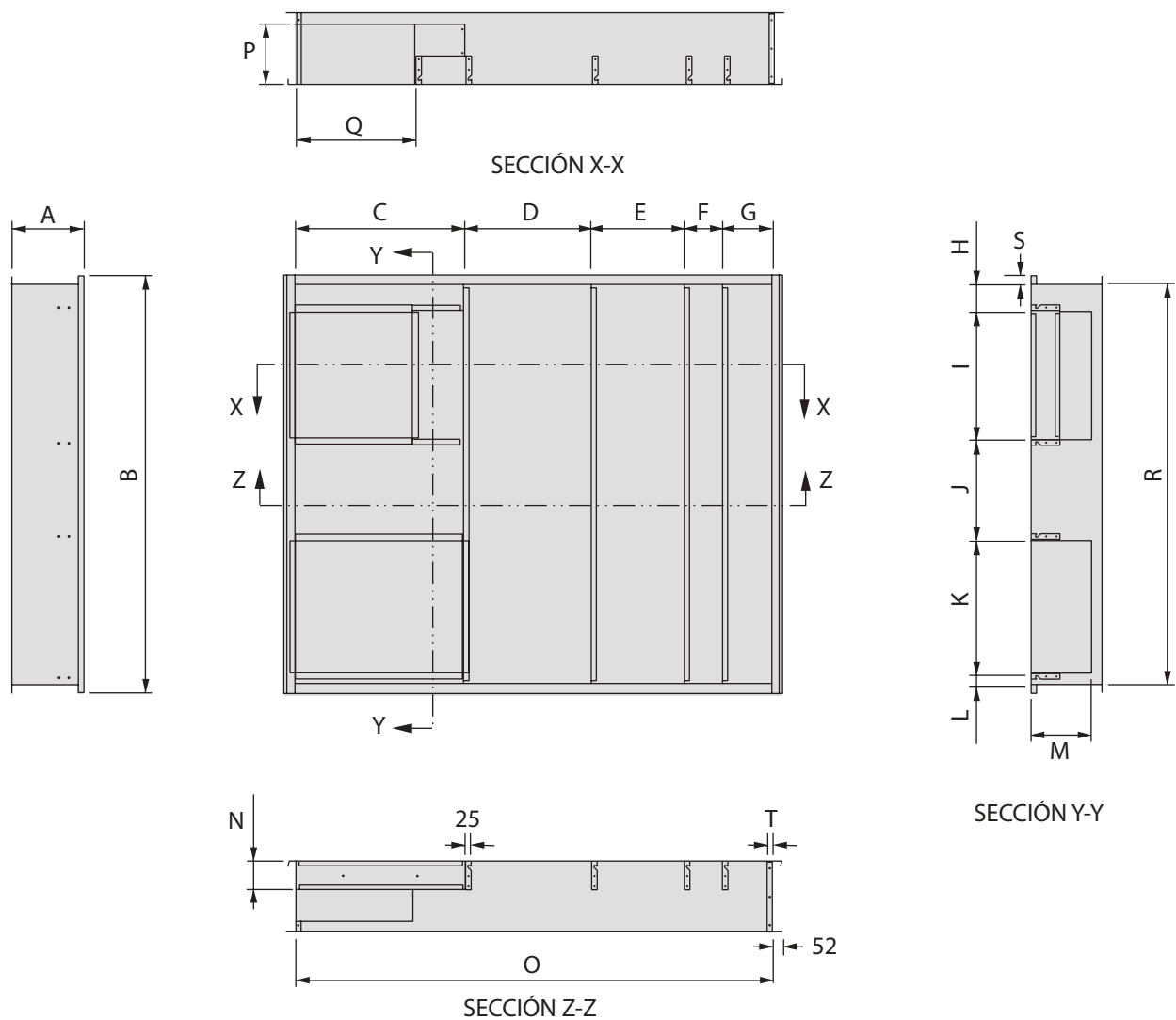
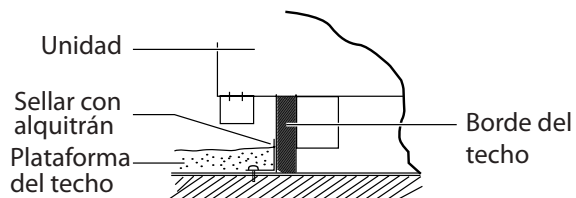
No instale la unidad a una altitud por encima de 2000m.

B Instalación del conducto

- Esta unidad está equipada con aperturas de entrada y salida de aire. La conexión del conducto a la unidad debería realizarse con bridas de conducto y fijados directamente en las aperturas de aire con conectores de conducto flexibles para evitar la transmisión normal de ruido.
- Para evitar fugas de aire, todas las uniones de conductos deberán estar selladas.
- Los conductos de los espacios que no tengan aire acondicionado deberán ser aislados.
- Los conductos expuestos al exterior deberán estar protegidos contra la intemperie.
- Los conductos que entren en el edificio por el tejado deberán tener su entrada sellada con cinta a prueba de intemperie para evitar que la lluvia, arena, polvo, etc., entre en el edificio.
- El tamaño correcto del filtro deberá instalarse en el conducto de salida de aire.

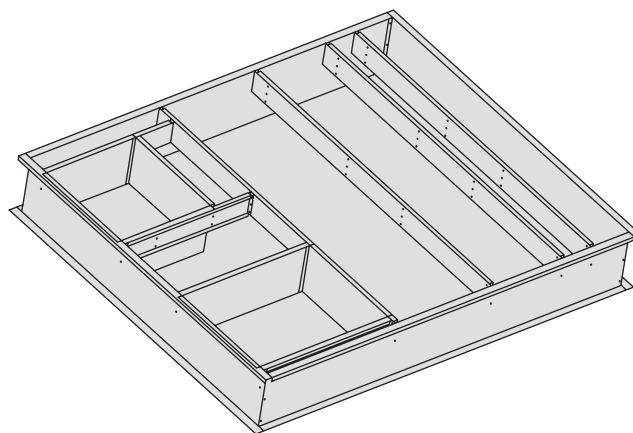
C Soporte de unidad (Sólo para la unidad hundida)

- La imagen muestra el uso del borde del techo para instalar estas unidades.
- El borde deberá sellarse y fijarse al techo con cinta a prueba de intemperie. En la derecha se sugiere un modo de sellar la unidad y el borde del techo.
- La dimensión recomendada del borde del techo aparece abajo.



Modelo (UATYQ)	250	350/450	550/600/700/900
A	355	355	355
B	1506	2081	2081
C	840	700	840
D	315	410	625
E	315	410	462
F	0	0	190
G	314	287	248
H	0	131	131
I	607	600	646
J	322	544	495
K	540	682	676
L	0	42	51
M	300	300	300
N	141	141	141
O	1784	1807	2365
P	300	300	300
Q	481	477	590
R	1469	1998	1998
S	20	41,5	41,5
T	20	41,5	41,5

Nota: Todas las dimensiones están en mm

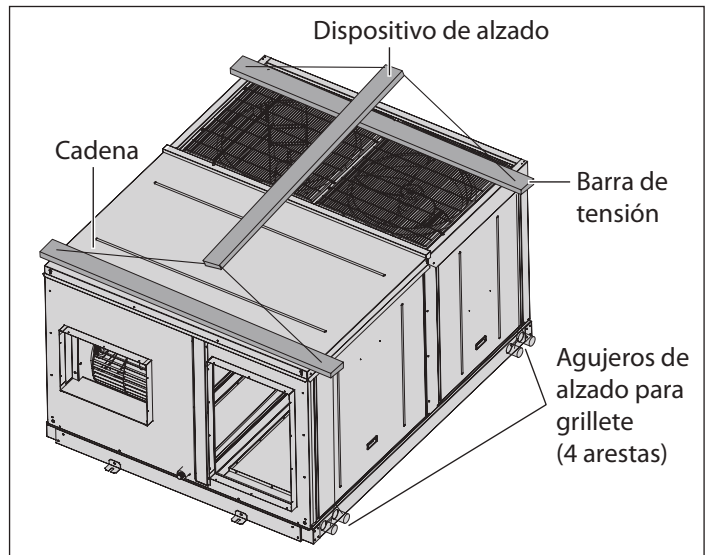


D Levantamiento de la unidad

- Los agujeros de los 4 extremos de la base de la unidad se utilizan para levantar la unidad.
- La barra de tensión deberá ser ligeramente más ancha que la anchura de la unidad.
- La aislación debería añadirse a las 4 esquinas de la cadena para evitar dañar el panel durante el levantamiento.

Nota

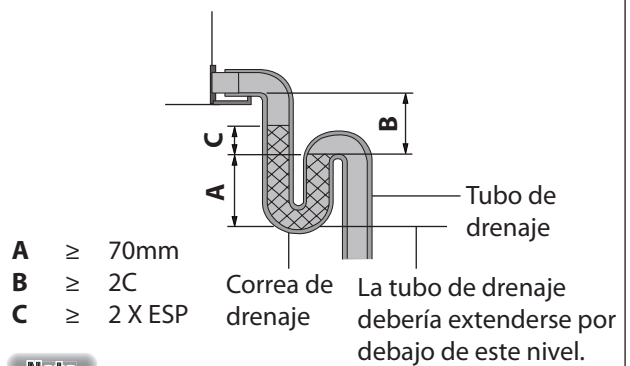
- La unidad indicada en el esquema es la UATYQ250.
- Otros modelos seguirán el mismo método de levantamiento.



E Tubo de drenaje

- Se suministra la estructura de drenaje condensado A 1" MPT. El tubo de drenaje se puede extraer por la parte frontal.
- El tubo de drenaje deberá suministrarse con una correa en la parte exterior de la unidad y también se deberá instalar inclinado para un correcto drenaje, como se indica en la derecha.
- Para evitar la formación de condensación y fugas, ponga aislación al tubo de drenaje para protegerlo contra líquidos.
- Cuando termine el trabajo de instalación de cableado, compruebe que no haya fugas y que el agua se drene correctamente.

El tubo de drenaje debería tener una rejilla de drenaje.



Nota

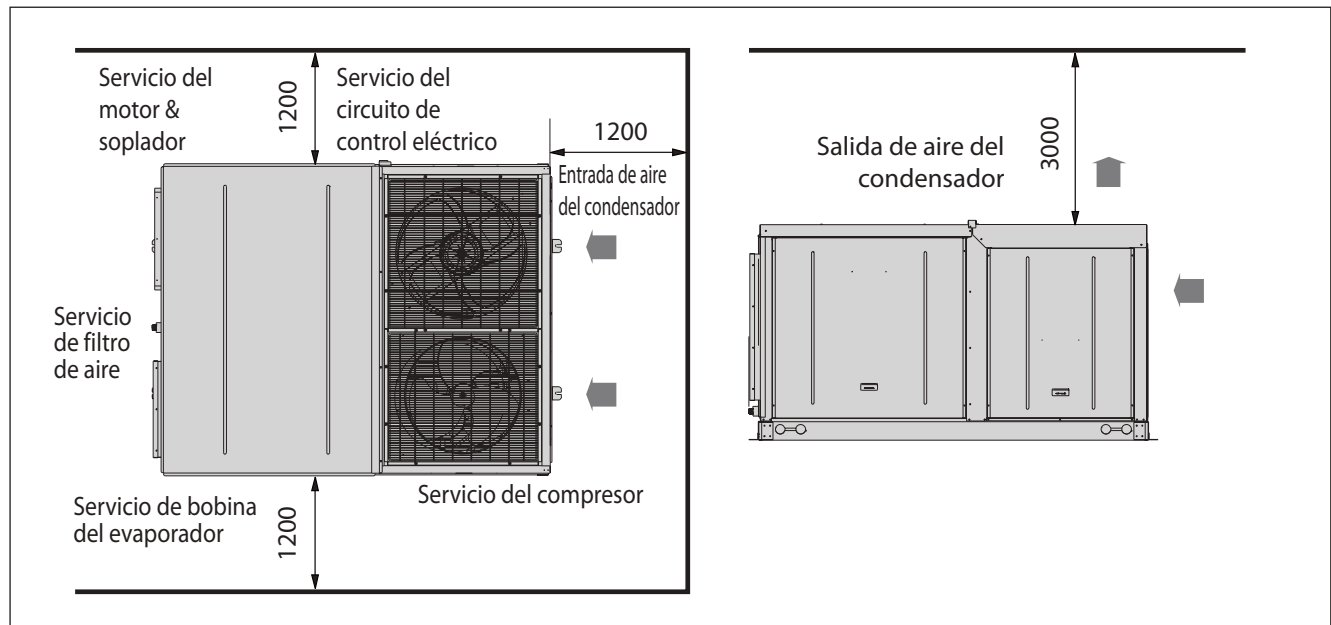
- ESP = Presión Estática Exterior

Rejilla de drenaje para condensación

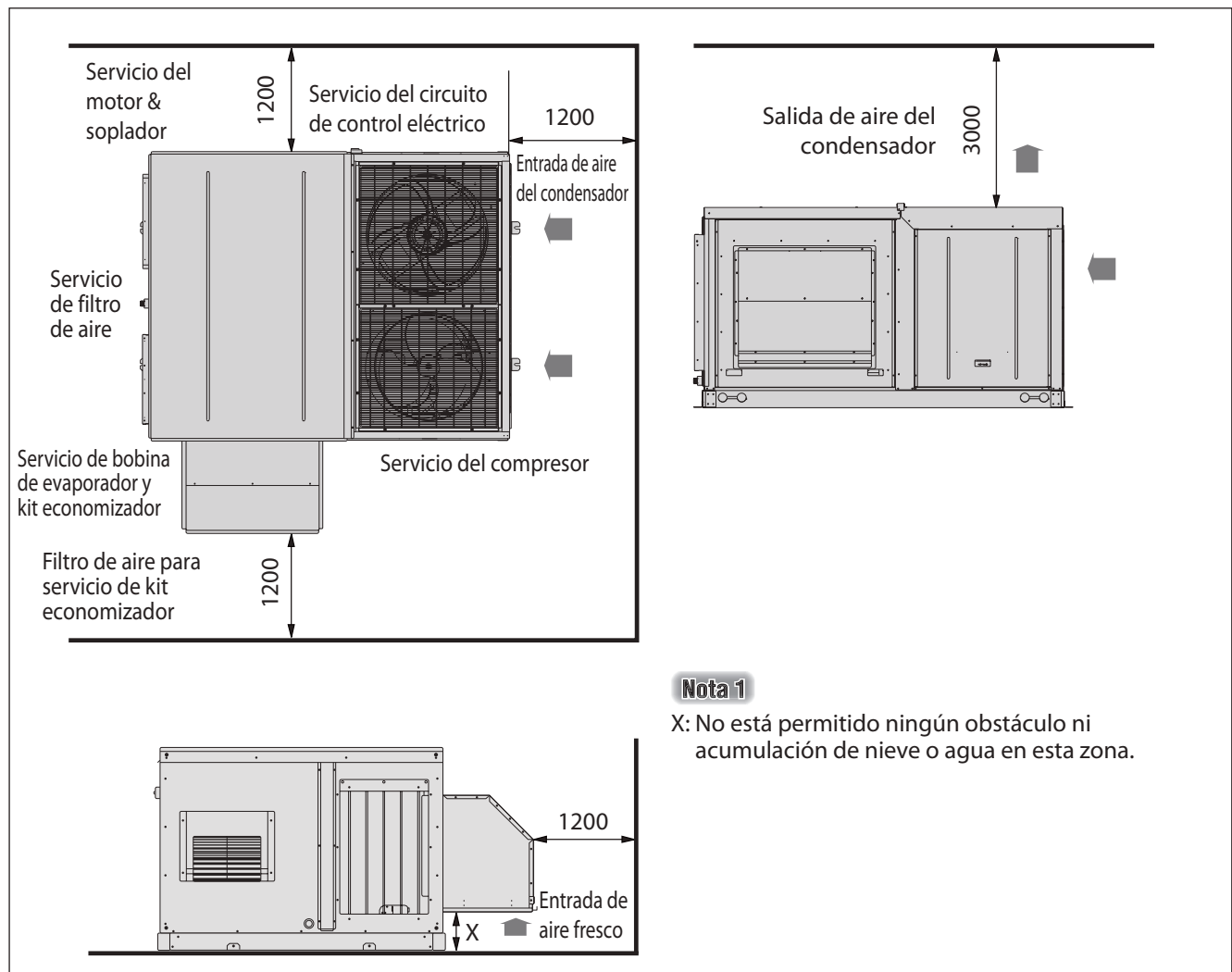
F Espacio necesario alrededor de la unidad

Consulte el esquema de abajo para el espacio necesario alrededor de la unidad. Asegúrese de lo siguiente:-

- Todas las dimensiones están en mm.
- Todos los valores de espacio son el espacio **mínimo necesario** para la unidad.
- La unidad indicada en el gráfico es UATYQ250. Otros modelos deberán seguir el mismo espacio.



Se necesita espacio adicional o separación cuando se instala el kit economizador. Siempre que la unidad está equipada con el kit economizador, el espacio necesario alrededor de la unidad con kit economizador tendrá que seguir el diagrama de abajo:-



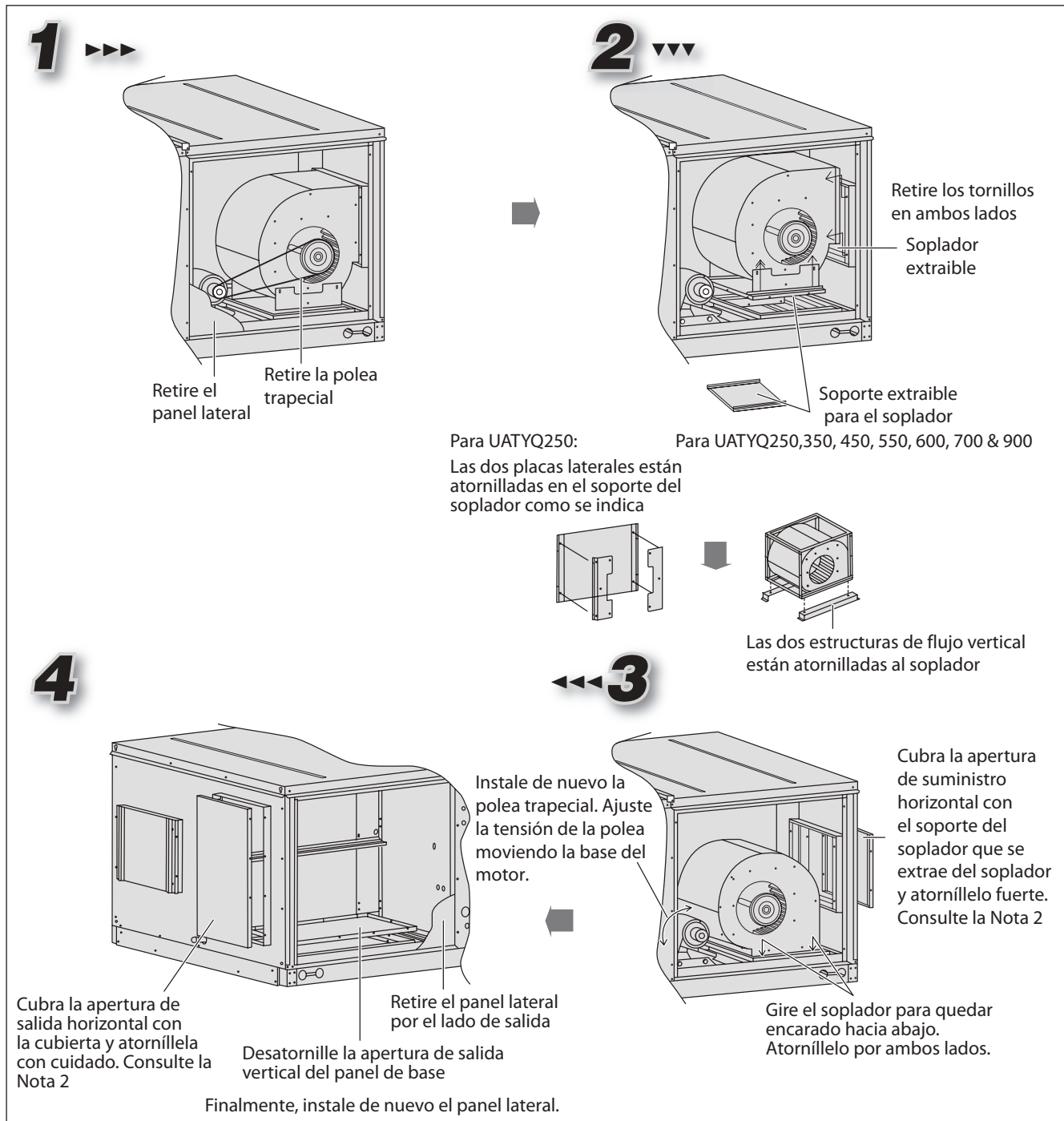
Nota 1

X: No está permitido ningún obstáculo ni acumulación de nieve o agua en esta zona.

G Conversión de unidad

En caso de convertir la unidad estándar a la unidad de flujo de hundimiento, siga los pasos de abajo:

UATYQ250, 350, 450, 550, 600, 700 & 900



Instale de nuevo la polea trapecial. Ajuste la tensión de la polea. Finalmente, instale de nuevo el panel lateral. Consulte la Nota 1.

Nota 1

Para la conversión de flujo de hundimiento, deberá cambiar la longitud de la polea.

Para una unidad con polea estándar, $a = a$ mm

La distancia de eje a eje para flujo de hundimiento, C-C = b mm

	UATYQ250	UATYQ350	UATYQ450	UATYQ550	UATYQ600	UATYQ700	UATYQ900
a	1432	1457	1382	1500	1500	1500	1500
b	425	430	345	420	420	440	445

Nota 2

Sellador como una junta (suministro de campo) debería estar colocado entre la cubierta de metal y la brida. Además de eso, se podría aplicar silicona a prueba de agua en todas las juntas, agujeros de tornillos y espacios para garantizar una la estanqueidad.

Nota 3

Consulte el libro de datos de ingeniería para la curva del soplador y los datos de la polea de emplazamiento variable.

DATOS FÍSICOS

Bomba de calor (R410A)

Modelo		UATYQ250	UATYQ350	UATYQ450	UATYQ550	UATYQ600	UATYQ700	UATYQ900
Refrigerante		R410A						
Carga de refrigerante	kg	6,1	5,8/5,8	7,2/7,2	8,7/8,7	10,4/10,4	11,6/11,6	11,6/11,6
Flujo de aire del evaporador	CFM	3300	4300	5650	6700	7300	8300	9600
	L/S	1557	2029	2667	3162	3445	3917	4531
Presión estática externa	mmAq	15			21			
	Pa	147			206			
Flujo de aire del condensador	CFM	8230	6000/6000	6050/6050	6450/6450	10100/10100	10600/10600	10600/10600
	L/S	3884	2831/2831	2855/2855	3044/3044	4767/4767	5003/5003	5003/5003
Control		Controlador del techo cableado						
Longitud de cable de control (Estándar/Máximo): Tamaño	m : mm ²	15 / 100 : 3						
Compresor (Tipo/Cantidad)		Scroll/1	Scroll/2	Scroll/2	Scroll/2	Scroll/2	Scroll/2	Scroll/2
Filtro de aire (Tipo/Cantidad)		Saranet lavable/2						
Dimensión del filtro de aire (Longitud x Anchura x Grosor)	mm	880 x 467 x 4	1126 x 385 x 4	1126 x 435 x 4	1497 x 392 x 4	1497 x 495 x 4	1497 x 595 x 4	1497 x 595 x 4

DATOS ELÉCTRICOS

Bomba de calor (R410A)

Modelo		UATYQ250	UATYQ350	UATYQ450	UATYQ550	UATYQ600	UATYQ700	UATYQ900
Fuente de alimentación eléctrica	V/Ph/Hz	380-415/3N~/50						
Corriente continua máxima (Comp)	A	26	17/17	19/19	26/26	28/28	29/29	40,0/40,0
Corriente de carga completa (FLA, Comp)	A	21	12/12	15/15	21/21	22/22	25/25	34,0/34,0
Corriente de rotor bloqueado (LRA, Comp)	A	111	74/74	101/101	111/111	118/118	118/118	174,0/174,0

El equipo cumple con los requerimientos en EN 61000-3-11 y está sujeto a una conexión condicional a la alimentación. Puede estar conectado de acuerdo con la autoridad de alimentación. El equipo sólo se puede conectar a la alimentación con una impedancia del sistema de menos del valor establecido en la siguiente tabla. La impedancia del sistema en el punto de la interfaz se puede obtener desde la autoridad de alimentación.

Modelo	Impedancia máxima (Z_{max}), ohm
UATYQ250	0,22
UATYQ350	0,23
UATYQ450	0,21
UATYQ550	0,21
UATYQ600	0,21
UATYQ700	0,21
UATYQ900	0,20

Si el suministro de alimentación tiene una impedancia del sistema más alta, pueden aparecer caídas de voltaje corto cuando el equipo se arranca o durante la operación. Esto puede influenciar o interrumpir la operación de otros aparatos, por ejemplo, lámparas parpadeantes, especialmente las conectadas a la misma alimentación.

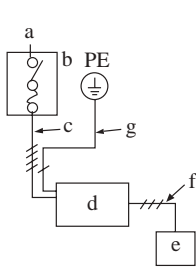
CONEXIÓN DE CABLES

- Toda la instalación eléctrica se deberá realizar por un electricista calificado y de acuerdo con las exigencias locales de suministro eléctrico y normativas relacionadas.

Método de conexión de cableado eléctrico

Antes de conectar el cable, consulte la empresa de suministro eléctrico de su jurisdicción.

1. El esquema general del cableado de la unidad



a	Fuente de alimentación eléctrica
b	Fusible/interruptor principal (suministro de campo)
c	Cableado de alimentación eléctrica para la unidad
d	Unidad
e	Control remoto
f	Cableado de conexión para la unidad y el control remoto
g	Conexión a tierra

2. Conexión de cableado a la unidad

Coloque los cables de suministro eléctrico y el cable de control a través de los agujeros ciegos o los agujeros de cable de la unidad.

Retire los paneles de reparación y conecte los cables de alimentación eléctrica de las unidades al bloque terminal de dentro de la caja de control, como se indica.

Utilice cables de enlace liberables de pulsación que están situados en la parte inferior de la caja de control para sujetar de forma adecuada los cables de alimentación eléctrica.

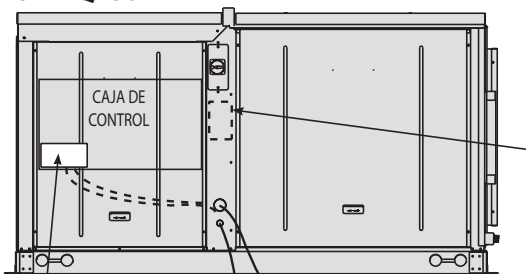
Nota

Mientras instale el disyuntor en la unidad, asegúrese de que los tornillos no dañen los componentes (ej. bobina) de dentro de la unidad.

La caja del interruptor también se puede instalar sin colocar la unidad.

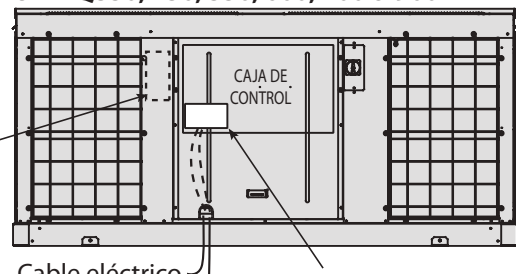
Los agujeros ciegos sólo están en UATYQ250; UATYQ350, UATYQ450, UATYQ550, UATYQ600, UATYQ700 & UATYQ900 viene con un agujero para el cable eléctrico.

UATYQ250



Bloque terminal
Cable de control
Cable eléctrico (sellar los orificios prepunzonados después de la instalación)

UATYQ350, 450, 550, 600, 700 & 900



Cable eléctrico
Cable de control
Bloque terminal

Posición recomendada para la caja del interruptor

Ejemplo de instalación de cableado y selección de disyuntor

Modelo	Cable eléctrico (mm ²)	Capacidad del disyuntor (A)	Interruptor de protección contra sobrecorriente (A)	Cable de conexión a tierra (mm ²)
UATYQ250	4	32	32	4
UATYQ350	6	40	40	6
UATYQ450	10	40	40	10
UATYQ550	10	50	50	10
UATYQ600	16	63	63	16
UATYQ700	25	80	80	25
UATYQ900	35	100	100	35

Nota

Se deberá incorporar un interruptor general u otros medios de desconexión, que tengan una separación de contacto en todos los polos, en el cable fijo de acuerdo con la legislación nacional y local.

- Los cables de la unidad se deberán instalar directamente desde el cuadro de distribución eléctrica mediante un disyuntor (preferido) o fusible HRC.
- Fije el cableado de alimentación eléctrica al módulo de control. Conecte el cableado de control al bloque terminal de control a través del agujero de la caja de control.
- Se deberá conectar el cableado de conexión a tierra.
- El cable de alimentación eléctrica deberá ser equivalente al H07RN-F que es el requisito mínimo, y deberá usarse en un tubo protector.
- Tiene que haber una desconexión en todos los polos en el suministro de corriente con una separación de contacto de al menos 3 mm.



ADVERTENCIA

- Antes de trabajar en esta unidad, aíslala de la alimentación eléctrica.
- El cableado eléctrico a esta unidad y el control remoto deberán instalarse de acuerdo con los requisitos adecuados del código local de instalación eléctrica.

Observe las notas indicadas abajo cuando realice la instalación de cableado en el bloque terminal. Precauciones a tomar para la instalación del cableado de alimentación eléctrica.

(Utilice un terminal de compresión redondo para la conexión con el bloque terminal. Si no se puede usar debido a razones inevitables, asegúrese de tener en cuenta la siguiente instrucción.)

Terminal redondo preformado

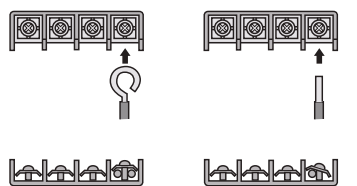


Cable trenzado



PRECAUCIÓN

Cuando conecte los cables de conexión al bloque terminal usando un único cable central, asegúrese de ondularlos. Los problemas con este proceso pueden provocar calentamiento e incendios.



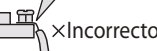
Pelar el cable en el bloque terminal

Pele el extremo del cable hasta este punto.



○ Correcto

Una longitud excesiva de pelado puede provocar descargas eléctricas o fugas.



× Incorrecto

- Tire del cable y asegúrese de que no se desconecte. Luego fije el cable en su sitio con un tope de cable.

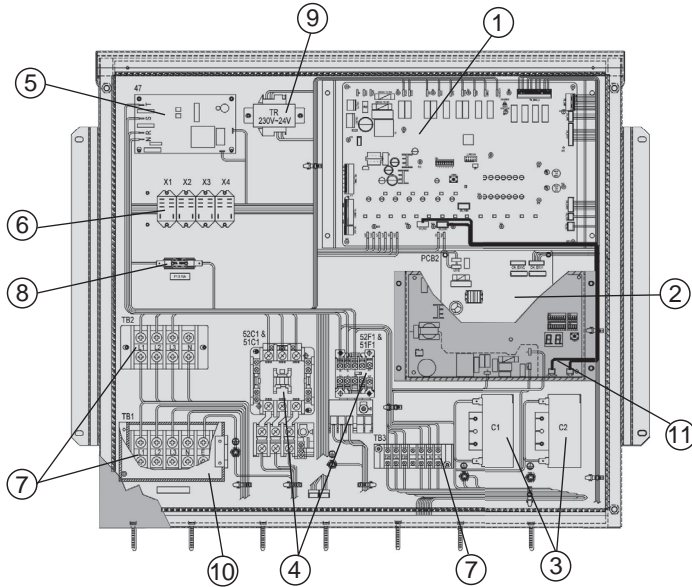


ADVERTENCIA

- Los cables de transmisión han de guiarse al menos 50mm lejos del cable de corriente.
- Los cables de transmisión deberían ser cables blindados.

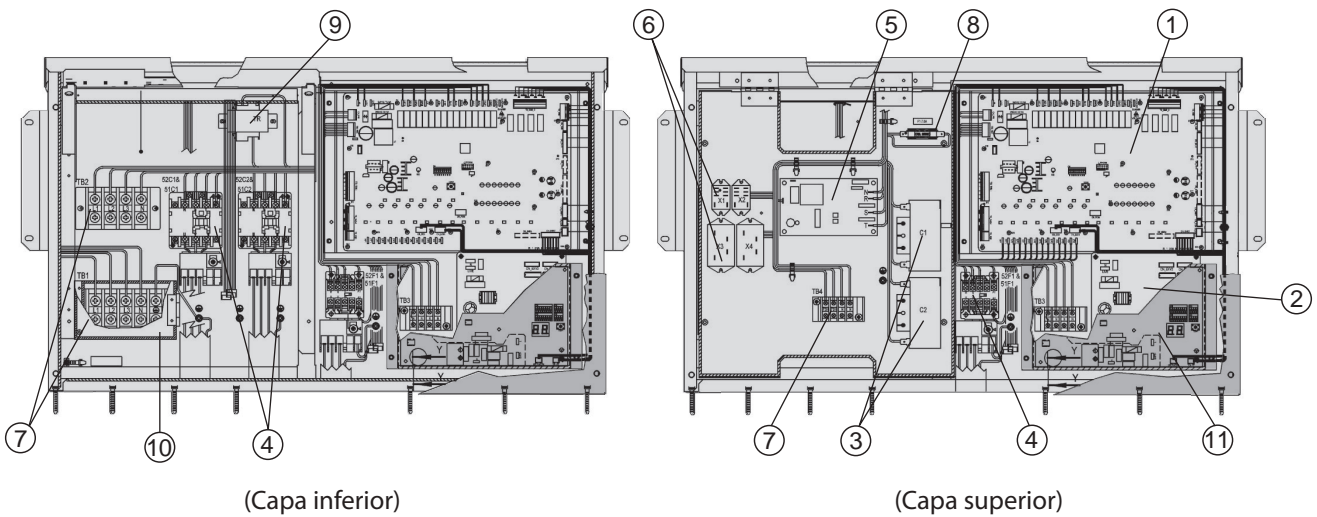
Continuación se muestra la disposición de bloques terminales y componentes para el controlador:

A Módulo de Control UATYQ250

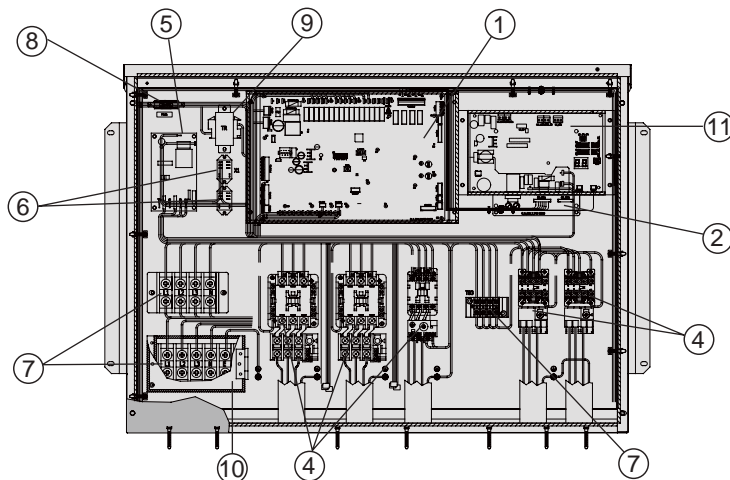


No.	Descripción del ítem
①	Placa Principal del Controlador
②	Tabla del controlador EXV
③	Capacitador
④	Contactor
⑤	Protector de fase
⑥	Relé
⑦	Bloque terminal
⑧	Fusible
⑨	Transformador
⑩	Cubierta de bloque terminal
⑪	Tablero de controlador del economizador

B Módulo de Control UATYQ350/450/550



C Módulo de Control UATYQ600/700/900



ADVERTENCIA

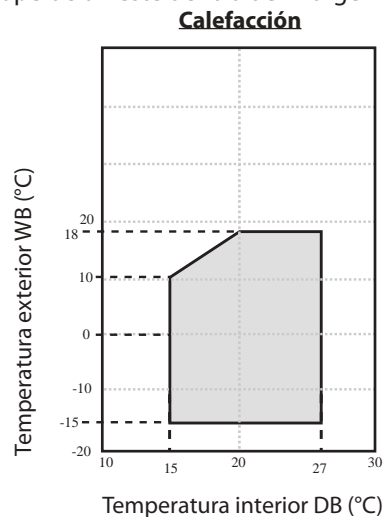
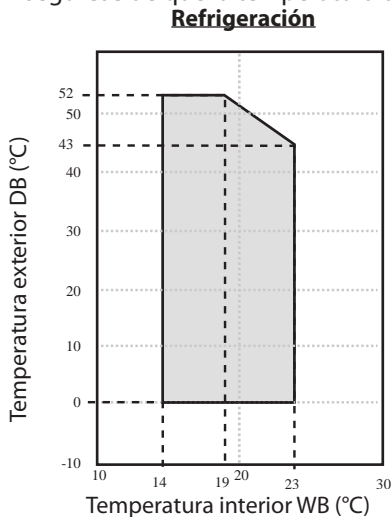
A menos que el interruptor principal de alimentación esté apagado, el bloque de terminales (TB1) permanecerá vivo cuando el aislador esté apagado.

Nota

El elemento 11 (Placa del controlador del economizador) deberá utilizar junto con el kit economizador que se proporciona por separado como el accesorio.

MARGEN DE OPERACIÓN

Asegúrese de que la temperatura de operación esté dentro del margen permitido, como indica el gráfico de abajo:



PRECAUCIÓN

El uso del aire acondicionado fuera del margen de la temperatura de funcionamiento y humedad puede provocar un fallo grave.

Nota

Consulte el rango operativo para la unidad con opción de economizador en la parte (E)(vi) en el capítulo "ACCESORIO OPCIONAL".

DB = Ampolla seca
WB = Ampolla húmeda

GUÍA DE OPERACIÓN DE CONTROL

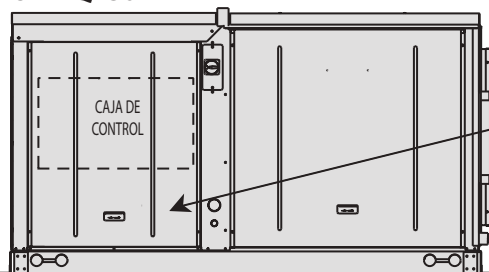
La unidad está equipada con una tabla principal del controlador. Un control remoto alámbrico está conectado a la placa principal del controlador.

Toda la configuración de la unidad viene predefinida de fábrica. No se recomienda cambiar la configuración, a menos que sea necesario.

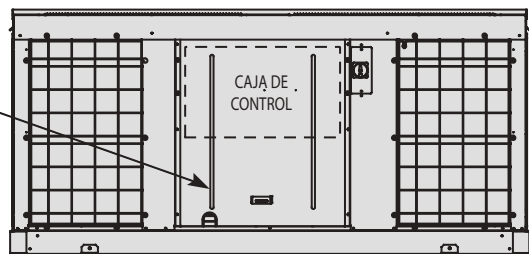
a) Ubicación del Control Remoto

El control remoto está situado en un soporte metálico detrás del panel de reparación. Está empaquetado junto con el manual de instalación.

UATYQ250



UATYQ350, 450, 550, 600, 700 & 900



Quitar panel

b) Pantalla LED (Placa Principal del Controlador)

El LED parpadeará cuando se encienda la unidad.

b) Pantalla LCD (Controlador Remoto)

En el funcionamiento normal, el LCD muestra el estado encendido/apagado del compresor, el modo, la temperatura definida y otros. Consulte el Manual de Operaciones para más detalles sobre la guía de operación. El LCD mostrará la pantalla principal después de encenderse. Cuando se produzca un fallo, aparecerá un mensaje pop-up en el LCD con el fondo parpadeando y un sonido "bip".

d) Configuraciones Opcionales

La placa principal del controlador se puede utilizar como interfaz para controlar el termostato y para el sistema BMS.

(i) Control del termostato (TB_THM-I)

- Para usar este control, configure las propiedades del Interruptor Dip: SW1-ON (por defecto en OFF).
- Siga el método de abajo para las entradas de control del termostato:

G	Y1	Y2	W1	W2	Modo	Operación
0	0	0	0	0	-	Unidad apagada
1	0	0	0	0	Ventilador	El ventilador interior en
X	1	0	X	X	Frío	Compresor de 1 fase
X	1	1	X	X	Frío	Compresor de 2 fase
X	0	X	1	0	Bomba de calor/Calentador	Compresor de 1 fase
X	0	X	1	1	Bomba de calor/Calentador	Compresor de 2 fase

Observaciones: X = No importa.



- Consulte la tabla de abajo para recomendaciones de instalación:

Entrada	Tensión nominal	Corriente nominal	Tamaño del cable
G	24V CA	5mA	AWG18~22
Y1			
Y2			
W1			
W2			

Nota

- Cuando la placa principal del controlador esté configurada como control del termostato, el controlador remoto se utilizará con finalidades de supervisión sólo.
- La unidad debe reiniciarse (apagar y encender) cuando se cambien las propiedades del interruptor Dip.

(ii) Control BMS (TB_BMS-I)

- Para usar este control, configure las propiedades del Interruptor Dip: SW3 - ON (por defecto en OFF) y el parámetro de panel G8 en '1' (por defecto en '0').

Note

- G8 = Tipo de control
- 0 = Panel
- 1 = BMS
- 2 = DEC



- Para TB_BMS-I, hay 3 entradas de control: encender/apagar unidad, modo de operación (fresco-0/calor-1); y punto de configuración (4~20mA).
- Consulte la tabla de abajo para recomendaciones de instalación:

Entrada TB_BMS-I	Tensión nominal	Corriente nominal	Tamaño del cable
Encendido/Apagado	24V CA	5mA	AWG18~22
Modo de operación	24V CA	5mA	
Punto de configuración de Refrigeración/Calefacción	-	4~20mA	

Nota

- Cuando la placa principal del controlador esté configurada como control del BMS, el controlador remoto se utilizará con finalidades de supervisión sólo.
- La unidad debe reiniciarse (apagar y encender) cuando se cambien las propiedades del interruptor Dip.

(iii) Salida de contacto seco (TB_BMS-O)

- Para TB_BMS-O, hay 4 salidas de supervisión: alarma de error; salida1; salida2; y señal de descongelación.
- Consulte la tabla de abajo para recomendaciones de instalación:

Entrada TB_BMS-O	Tensión nominal	Corriente nominal (A)	Tamaño del cable
Salida de alarma (AL)	230V AC/125V AC/30V DC	1/3/3	AWG18~22
Salida1 (O1)	230V AC/125V AC/30V DC	2/3/3	
Salida2 (O2)	230V AC/125V AC/30V DC	3/3/3	
Señal de descongelación (DFRT)	230V AC/125V AC/30V DC	4/3/3	

- Las señales de salida variarán dependiendo de la configuración de la placa principal del controlador, ya sea el control del termostato o el control BMS.

(1) Para el control del termostato, se indican las salidas en la tabla de abajo.

Entrada del termostato (SW1-ON)					ERROR	DESCONGELACIÓN	Salida de alarma	Salida1	Salida2	Señal de descongelación
G	Y1	Y2	W1	W2			(AL)	(O1)	(O2)	(DFRT)
0	0	0	0	0	X	X	X	0	0	X
1	0	0	0	0	X	X	X	0	1	X
X	1	0	X	X	X	X	X	1	0	X
X	1	1	X	X	X	X	X	1	0	X
X	0	X	1	0	X	X	X	1	1	X
X	0	X	1	1	X	X	X	1	1	X
X	X	X	X	X	1	X	1	X	X	X
X	X	X	X	X	X	1	X	X	X	1

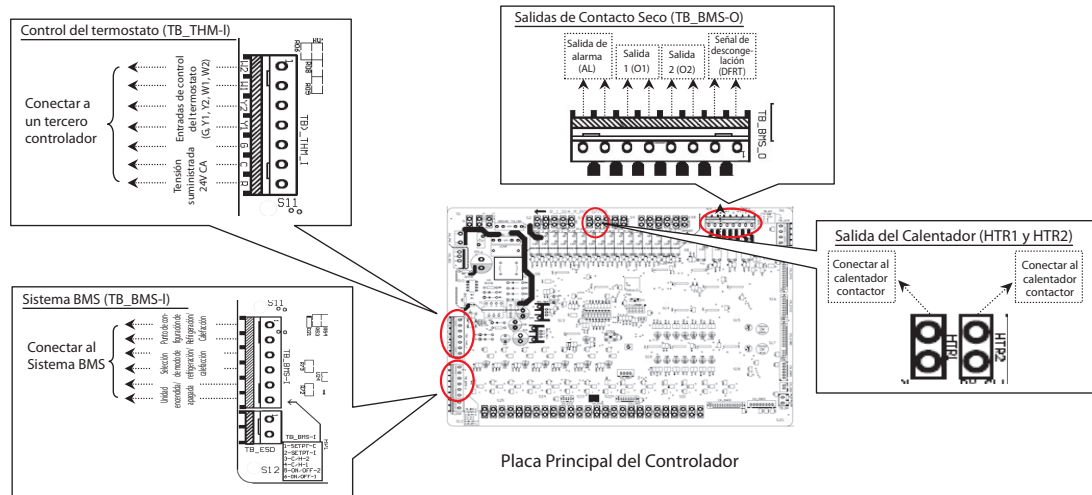
Observaciones: X = No importa.

(2) Para el control BMS, se indican las salidas en la tabla de abajo.

Entrada BMS (SW3-ON)			ERROR	DESCONGELACIÓN	Salida de alarma	Salida1	Salida2	Señal de descongelación
ENCENDIDO/APAGADO	MODO DE OPERACIÓN	REFRIGERACIÓN/CALEFACCIÓN PUNTO DE CONFIGURACIÓN			(AL)	(O1)	(O2)	(DFRT)
0	0	X	X	X	X	0	0	X
0	1	X	X	X	X	0	1	X
1	0	X	X	X	X	1	0	X
1	1	X	X	X	X	1	1	X
X	X	X	1	X	1	X	X	X
X	X	X	X	1	X	X	X	1

Observaciones: X = No importa.

El gráfico de abajo muestra la posición de los bloques terminales en la placa principal del controlador, que se utilizarán para controlar el termostato y para el sistema BMS. Además, también se muestran los pines de salida para el calefactor eléctrico auxiliar.



(iv) Salida del Calefactor Eléctrico Auxiliar (HTR1 y HTR2)

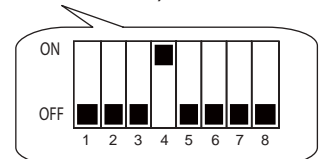
- Estos son los dos pines de salida (HTR1 y HTR2) en la placa principal del controlador, que se utilizan para dar energía al contactor del calefactor. El contactor deberá seleccionarse debidamente para evitar problemas de seguridad.
- El calefactor deberá instalarse de acuerdo con la legislación nacional y local. Deberá cumplir con EN60335-2-40.
- El(los) fusible(s) termal(es) deberá(n) instalarse en el calefactor para eliminar cualquier peligro o daño en el calefactor/unidad. Esto es especialmente crítico cuando se produce cualquier fallo en el soplador o placa principal del controlador.
- El calefactor deberá encontrarse en una ubicación segura, donde no se pueda producir ningún riesgo de daño en la unidad.
- Utilice el conducto no inflamable para la unidad que se instale con el calefactor.
- Utilice suministros eléctricos diferentes para el calefactor eléctrico e instale un disyuntor para cada calefactor.
- La temperatura máxima de la unidad no deberá sobrepasar los 60°C. La medición de temperatura se deberá tomar durante la instalación o puesta en funcionamiento para poder asegurar que la temperatura no sobrepase este valor.
- Seleccione el dispositivo de seguridad adecuado o protector termal debidamente.
- El calefactor nunca se deberá instalar dentro de la unidad. La ubicación recomendada para el calefactor se encuentra en el interior del conducto de suministro, donde la distancia del calefactor sea la suficiente para asegurar que la temperatura dentro de la unidad no sobrepase los 60°C.

(v) Control de economizador

- Asegúrese de que el kit economizador ha sido incorporado con una unidad de techo antes de activar la función del economizador en la placa principal del controlador. De lo contrario, ocurrirá un error.
- Para activar la función del economizador, configure las propiedades del Interruptor Dip: SW4 - ON (por defecto está en OFF) en la placa principal del controlador y parámetro de panel G6 a '1' (por defecto es '0').

Nota

G6 = Control de economizador
 0 = deshabilitar
 1 = habilitar.



- En la placa del controlador del economizador hay 4 interruptores dip y 3 conectores de derivación que proporcionan una selección flexible basada en diferentes requisitos:
 - Interruptor Dip 1: Ajuste de abertura de aire fresco mínimo en modo calefacción, donde con la selección de diferentes pines proporcionará diferente ajuste de abertura. SW1: 5%, SW2: 10%, SW3: 15%, SW4: 20%, SW5: 25%, SW6/7/8: sin función, por defecto: 0% (sin selección, todos OFF).
 - Interruptor Dip 2: Ajuste de abertura de aire fresco mínimo en modo refrigeración, donde con la selección de diferentes pines proporcionará diferentes ajustes de abertura. SW1: 0%, SW2: 5%, SW3: 15%, SW4: 20%, SW5: 25%, SW6/7/8: sin función, por defecto: 10% (sin selección, todos OFF).
 - Interruptor Dip 3: CO₂ PPM nivel de valor de límite de selección, donde por la selección de diferentes pines proporcionará diferentes valores de ajuste. SW1: 25%, SW2: 50%, SW3: 75%, SW4: 100%, Por defecto: 0% (sin selección, todos OFF).
 - Interruptor Dip 4: Tipo de operación que incluye la siguiente selección:
 - SW1: OFF = Operación de temperatura diferencial (por defecto), ON = Ninguna función en este momento.
 - SW2: OFF = Modo economizador (por defecto), ON = Modo de aire fresco.
 - SW3: OFF = La protección enfriada excesivamente está activada (por defecto), ON = La protección muy enfriada no está activada.

Conectores de derivación 1, 2 y 3: Ajuste de abertura de aire fresco mínimo en modo ventilador, donde con la selección de diferentes pins proporcionará diferentes ajustes de abertura. Permita nombrar el conector de derivación 1 = JP1, conector de derivación 2 = JP2 y conector de derivación 3 = JP3; consulte la tabla de abajo para diferentes selecciones de diferentes aberturas de aire fresco:-

Abertura de agua fresca (%)	JP1	JP2	JP3
0 (por defecto)	OFF	OFF	OFF
10	OFF	OFF	ON
20	OFF	ON	OFF
30	OFF	ON	ON
40	ON	OFF	OFF
50	ON	OFF	ON
70	ON	ON	OFF
85	ON	ON	ON

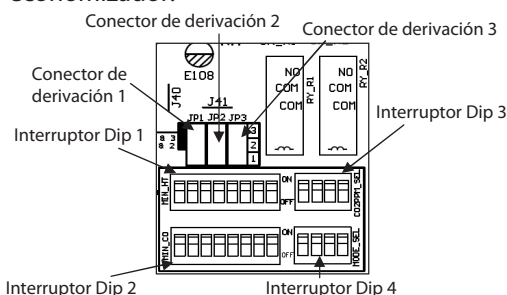
Leyenda: OFF = Pin corto 2 y pin 3
ON = Pin corto 1 y pin 2



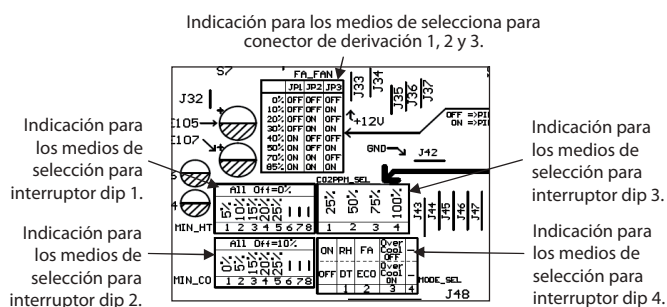
PRECAUCIÓN

Interruptor dip 1, 2 y 3 solo permiten 1 selección de pin. Selección múltiple de pins provocará errores y la operación volverá al ajuste por defecto. Mientras el interruptor dip 4 permite selecciones múltiples de pins.

Ubicación de interruptores dip y conectores de derivación en la placa de controlador del economizador:



Indicación en la placa del controlador del economizador:

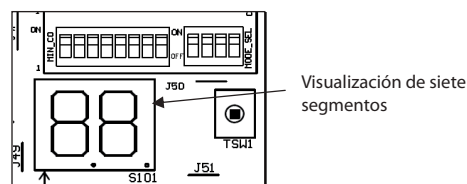


- Hay dos LED en la placa del controlador del economizador, un LED verde y otro LED rojo. El LED verde parpadeará cuando la placa del controlador del economizador esté encendida. El LED rojo parpadeará cuando haya errores. Consulte la tabla de abajo para códigos de error y su significado:-

Código de Error	Falla
F0	Fallo/malfuncionamiento de actuador de aire fresco
F1	Fallo/malfuncionamiento de actuador de aire de retorno
F2	Error de comunicación
F3	Sensor corto CO ₂
F4	Sensor abierto CO ₂
F5	Sensor corto RH de aire fresco
F6	Sensor abierto RH de aire fresco
F7	Sensor corto RH de aire de retorno
F8	Sensor abierto RH de aire de retorno
F9	Activación de protección de actuador
FA	Selección de múltiples pins en interruptor dip 1, 2 o 3

Nota

Los códigos de error se mostrarán en la visualización de siete segmentos en la placa del controlador del economizador.



Nota

Cuando haya errores y persistan los errores, llame a su vendedor/técnico local para resolver problemas. Sin embargo, todos los errores ocurren en la placa del controlador del economizador no afectarán al funcionamiento normal de la unidad del techo.

REPARACIONES Y MANTENIMIENTO

Nota es válido sólo para Turquía: La vida útil de nuestros productos es de diez (10) años

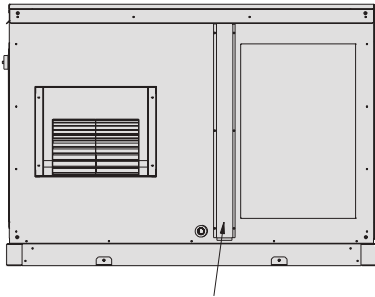
REPARACIÓN DEL FILTRO

- Elimine el polvo adherido al filtro mediante una aspiradora o lavándolo en agua templada (a menos de 40°C) con un jabón neutro.
- Enjuague y seque bien el filtro antes de volverlo a colocar en la unidad.
- No use gasolina, sustancias volátiles ni productos químicos para limpiar el filtro.
- Limpie el filtro por lo menos una vez cada 2 semanas. O con mayor frecuencia si es necesario.

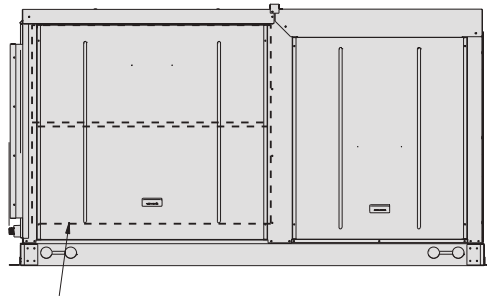
Posición del filtro

Los filtros se instalan delante del intercambiador de calor interior.

La unidad indicada en el gráfico es UATYQ250. Otros modelos deberán seguir el mismo método.

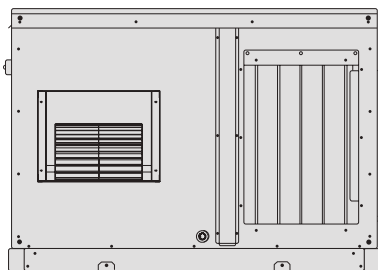


Retire la cubierta del filtro para reparación del filtro.



Alternativamente, retire el panel lateral para reparar del filtro.

Para la unidad que está instalada junto al kit del economizador, hay un filtro adicional que está montado en el lado inferior de la capucha de la lluvia. La unidad mostrada en el diagrama es UATYQ250 + kit economizador (instalado de campo). Otros modelos deberán seguir el mismo método.



Capucha de la lluvia (instalada de campo)

Quite la tapa del filtro en la capucha de lluvia para el servicio del filtro.



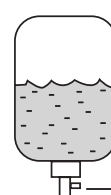
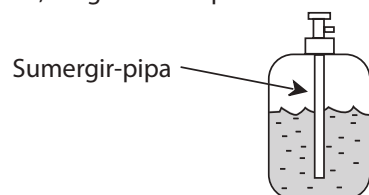
PRECAUCIÓN

Asegúrese de que el filtro está colocado de forma adecuada y que la cubierta del filtro está sujeta con tornillos fuertemente después del servicio para evitar fugas de agua. Si es necesario, el sellante a prueba de agua, debería aplicarse para asegurar un acabado a prueba de agua en la cubierta del filtro y la capucha de lluvia.

ASPIRACIÓN Y CARGA

Las unidades del paquete del techo vienen precargadas de fábrica con refrigerante suficiente. Sin embargo, puede necesitarse una recarga durante las obras de mantenimiento y reparación. Por lo tanto, se deberán tomar algunas precauciones para asegurar un funcionamiento óptimo del sistema sin problemas:

- (i) El sistema debería aspirarse totalmente para asegurar que no exista gas incompresible y humedad en el sistema.
- (ii) Utilice una bomba de vacío para R410A exclusivamente. Usar la misma bomba de vacío para diferentes refrigerantes podría dañar la bomba de vacío o la unidad.
- (iii) El refrigerante nunca se debería despedir directamente en la atmósfera.
- (iv) Cuando cague el R410A, asegúrese de que sólo se retire líquido del cilindro o del bidón.



Invertir cilindro sin sumergir-pipa

Retirada de líquido

Normalmente, el cilindro o bidón de R410A sólo está equipado con un sifón invertido para la retirada de líquido. Sin embargo, si el sifón invertido no está disponible, invierta el cilindro o bidón para poder retirar líquido de la válvula inferior.



PRECAUCIÓN

- R410A se debe cargar como líquido. El cilindro R410A se equipa generalmente de un sifón invertido para la retirada de líquido. Si no hay sifón invertido, el cilindro se debe invertir para retirar el líquido R410A de la válvula.
- No vuelva a llenar cuando el escape de mantenimiento, ya que esto reducirá el rendimiento de la unidad. Limpie la unidad con la aspiradora a fondo y después cargue la unidad con R410A fresco según la cantidad recomendada en la especificación.

LOCALIZACIÓN DE AVERIAS

Para consultas sobre piezas de recambio, póngase en contacto con un distribuidor autorizado. Si se detecta cualquier fallo en la unidad de aire acondicionado, compruebe las siguientes condiciones o causas de fallo como consejos de resolución de problemas.

Problema	Causas	Acción
La unidad no funciona.	<ul style="list-style-type: none"> ● Fallo de energía. ● Fusible fundido o disyuntor desactivado. ● Fase de cableado de alimentación eléctrica incorrecta. 	<ul style="list-style-type: none"> ▶ ● Pulse [ON/OFF] después de restaurar la energía. ▶ ● Sustituya el fusible o reinicie el disyuntor. ▶ ● Modifique la fase del cableado.
El compresor no funciona en 3 minutos después de iniciar la unidad.	<ul style="list-style-type: none"> ● Protección contra los arranques frecuentes. 	<ul style="list-style-type: none"> ▶ ● Espere 3 minutos hasta que se inicie el compresor.
El flujo de aire está bajo.	<ul style="list-style-type: none"> ● El filtro está lleno de polvo y suciedad. ● Hay obstáculos en la entrada o salida de aire de las unidades. 	<ul style="list-style-type: none"> ▶ ● Limpie el filtro. ▶ ● Retire los obstáculos.
El compresor funciona continuamente.	<ul style="list-style-type: none"> ● Filtro de aire sucio. ● La configuración de temperatura es demasiado baja (para la refrigeración). ● La configuración de temperatura es demasiado alta (para la calefacción). 	<ul style="list-style-type: none"> ▶ ● Limpie el filtro de aire. ▶ ● Reinicie la temperatura.
No se suministra aire frío durante el ciclo de refrigeración, o no se suministra aire caliente durante el ciclo de calefacción.	<ul style="list-style-type: none"> ● La configuración de temperatura es demasiado alta (para la refrigeración). ● La configuración de temperatura es demasiado baja (para la calefacción). 	<ul style="list-style-type: none"> ▶ ● Baje la temperatura. ▶ ● Suba la temperatura.
En el ciclo de calefacción, no se suministra aire (UATYQ250). O el aire suministrado no es suficientemente caliente (UATYQ350/450/550/600/700/900).	<ul style="list-style-type: none"> ● La unidad se encuentra en el ciclo de descongelación. 	<ul style="list-style-type: none"> ▶ ● Espere un momento. (Se reanudará después de la descongelación).

Si la avería persiste, póngase en contacto con el técnico o vendedor local autorizado.

KIT ECONOMIZADOR

A Introducción

El kit economizador es un accesorio proporcionado por la fábrica, pero precisa una instalación de campo. El kit economizador es compatible para modelos de techo R410A. Si no tiene seguridad de que este kit se pueda utilizar con su unidad en particular, póngase en contacto con la división de servicio autorizada. El kit economizador permite que el aire exterior se pueda mezclar con aire de retorno para una refrigeración "libre" si la temperatura de aire exterior es adecuada. La refrigeración de economizador se puede utilizar solo o junto a la refrigeración mecánica. Además de eso, el kit economizador se puede utilizar del mismo modo para proporcionar aire de ventilación y por eso puede mejorar la calidad del aire interior. Es vital realizar una elección correcta del kit economizador, consulte la tabla de abajo para ver las directrices de selección de kit:

Nº.	Unidad de techo	Kit economizador que es compatible con unidad de techo
1	UATYQ250	ECONO250
2	UATYQ350	ECONO350
3	UATYQ450	ECONO450
4	UATYQ550	ECONO550
5	UATYQ600	ECONO600
6	UATYQ700	ECONO700
7	UATYQ900	ECONO900

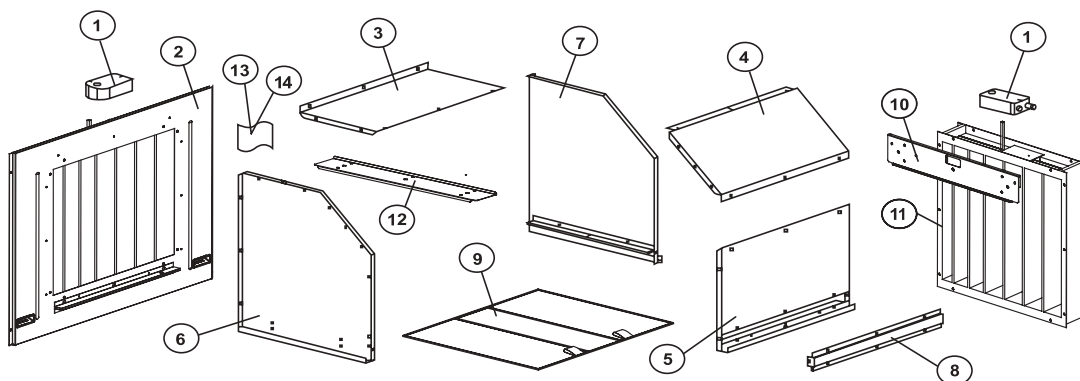
Nota

Una elección errónea puede provocar que el kit no se pueda montar con la unidad de techo.

B Comprobación previa a la instalación

(i) Los contenidos del kit economizador

Antes de la instalación, se recomienda comprobar los contenidos del kit economizador después de quitar el embalaje. El kit incluye a los siguientes componentes:

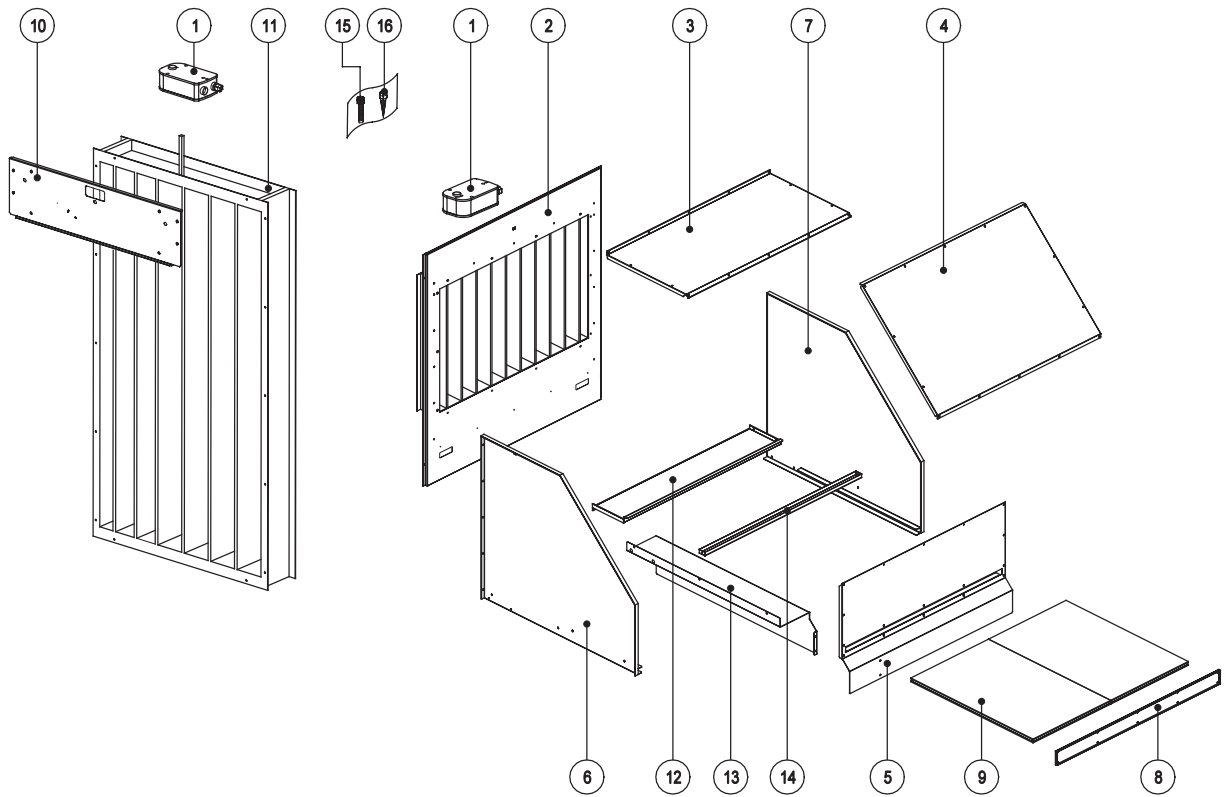


No.	Descripción del ítem	Cantidad (conjunto)
1	Actuador Belimo, LF24-SR 2	2
2	Panel lateral con amortiguador de aire exterior	1
3	Capucha, panel superior	1
4	Capucha, panel central	1
5	Capucha, panel inferior	1
6	Capucha, panel lateral izquierdo	1
7	Capucha, panel lateral derecho	1

No.	Descripción del ítem	Cantidad (conjunto)
8	Cubierta de filtro	1
9	Filtro	1
10	Soporte, amortiguador de aire de retorno	1
11	Amortiguador de aire de retorno	1
12	Soporte, flujo de hundimiento	1
13	Tornillo, M5x16	55
14	Tornillo, M4x12	4

* Soporte, dirección hacia abajo (elemento 12) no está disponible en ECONO700.

(ii) Los contenidos del kit economizador UATY900



No.	Descripción del ítem	Cantidad (conjunto)
1	Actuador Belimo, LF24-SR 2	2
2	Panel lateral con amortiguador de aire exterior	1
3	Capucha, panel superior	1
4	Capucha, panel central	1
5	Capucha, panel frontal	1
6	Capucha, panel lateral izquierdo	1
7	Capucha, panel lateral derecho	1
8	Cubierta de filtro	1

No.	Descripción del ítem	Cantidad (conjunto)
9	Filtro	1
10	Soporte, amortiguador de aire de retorno	1
11	Amortiguador de aire de retorno	1
12	Capucha, panel inferior	1
13	Brida, aire de la capucha 1	1
14	Filtro de soporte	1
15	Tornillo, M5x16	97
16	Tornillo, M4x12	4

Nota

Contacte con la división de servicio autorizada si el accesorio está dañado o esta incompleto.

(iii) Espaciado de unidad

Proporcione suficiente espacio para el flujo de aire, revise y realice el cableado después de montar el kit en la unidad. No tiene que haber ninguna obstrucción al flujo de aire en este espacio. Consulte la sección (F) en el capítulo "INSTALACIÓN DE LA UNIDAD" en este manual. No hacerlo puede provocar que haya poco flujo de aire o la unidad funcione mal.

(iv) Ubicación para la instalación

Siga las recomendaciones facilitadas en la parte (A) en el capítulo “INSTALACIÓN DE LA UNIDAD” en este manual. Además, hay una necesidad de tener en cuenta las condiciones de instalación alrededor del kit gracias al cual:

- El espaciado de la capucha de lluvia desde el suelo no debe tener acumulación de nieve ni de agua.
- La entrada de aire fresco no esta de cara a la dirección del aire predominante.
- El aire exterior debería estar siempre limpio y sin olor, cumplir con el límite de concentración para varios contaminantes establecidos por estándares locales, y no supera el valor de límite de selección para toxicidad especificado por estándares locales.

(v) Función de amortiguador

Compruebe los dos amortiguadores en el kit economizador, que son el elemento 2 y el elemento 11 girando el eje del amortiguador +90° y -90° (de totalmente abierto o totalmente cerrado o viceversa). El giro del amortiguador debería ser suave y fácil. Cualquier daño o anomalía debería ser notificado a la división de servicio autorizado.

C Herramientas y materiales necesarios para la instalación

- | | |
|--------------------------------------------------------|------------------------------------------------|
| (i) Destornillador eléctrico con diferentes conexiones | (vii) Llave inglesa ajustable (tamaño pequeño) |
| (ii) Taladro eléctrico con diferentes conexiones | (viii) Palanca y martillo |
| (iii) Destornillador plano pequeño | (ix) Sellante a prueba de agua (como silicona) |
| (iv) Cutter | (x) Junta |
| (v) Tipo Philip Destornillador | (xi) Etiquetado de bloqueo de seguridad |
| (vi) Cinta de medición o regla | (xii) Cable de enlace |

D Instrucciones de instalación

(i) Aplicación de retorno lateral (horizontal)

PASO 1

- Desconecte la alimentación eléctrica a la unidad e instale una etiqueta de bloqueo de seguridad antes de la instalación, puesta en servicio o servicio de la unidad economizadora. Prepare todas las herramientas necesarias como se indica arriba.

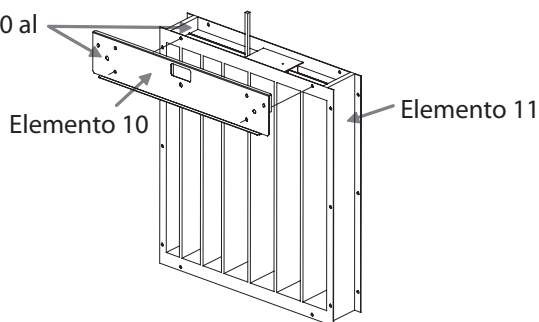
PASO 2

- Desempaque la caja de madera del kit economizador utilizando la palanca y el martillo. A continuación, quite las bolsas de plástico que contengan y piezas sueltas y cierres utilizando un cutter. Lleve a cabo la comprobación de la preinstalación como se indica arriba.

PASO 3

- Fije el soporte, amortiguador de aire de retorno (elemento 10) al amortiguador de aire de retorno (elemento 11) utilizando el tornillo M5x16 (elemento 13) proporcionado en el kit.

Atornille el elemento 10 al elemento 11



PASO 4

- Monte una unidad del actuador Belimo, LF24-SR (elemento 1) etiquetado con “RA” al amortiguador de retorno de aire (elemento 11). Alinee e inserte el agujero del actuador en el eje del amortiguador.



PRECAUCIÓN 1

El ajuste por defecto para el amortiguador del aire de retorno (elemento 11) debería abrirse del todo. Asegure que este amortiguador está en posición “totalmente abierta” antes de montarlo en el actuador. Si no lo hace así provocará errores durante el funcionamiento de la unidad.

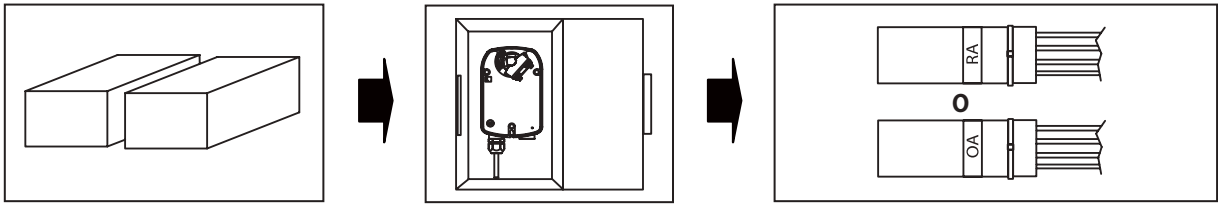


PRECAUCIÓN 2

La superficie del actuador que está hacia arriba / fuera debería estar etiquetada con el símbolo “L” para garantizar la rotación de modulación del actuador en dirección en el sentido de las agujas del reloj. Si no lo hace así provocará errores durante el funcionamiento de la unidad con función economizador.

Nota

Has 2pcs de actuador Belimo, LF24-SR (elemento 1) en el kit economizador que viene junto a las cajas de cartón. Abra las cajas y reconozca la etiqueta en el cable. El actuador utilizado en el paso 4 es el que tiene la etiqueta "RA".

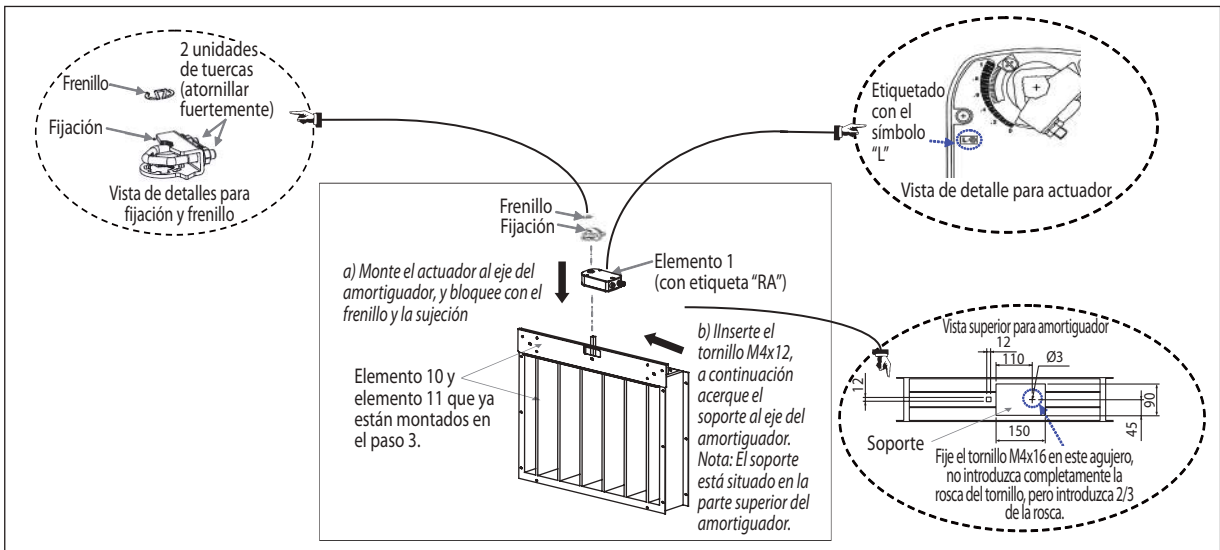


2 unidades de elemento 1 en cajas de cartón.

Abra la caja.

Reconozca la etiqueta en el cable. En uno de ellos tiene "RA" mientras que en el otro pone "OA".

- A continuación, sujeta 1 unidad de tornillo M4x12 (elemento 14) en el soporte del amortiguador. No introduzca totalmente la rosca del tornillo, solo 2/3 partes. Monte el actuador al soporte acercando el soporte al eje del amortiguador. La función del tornillo M4x12 es bloquear el actuador para que no resbale durante la modulación.
- A continuación, ponga la sujeción en el eje y bloquee el actuador con el frenillo. Sujete las tuercas de fijación firmemente utilizando la llave inglesa ajustable. Teniendo en cuenta que la fijación y el frenillo vienen junto al actuador como piezas estándar, puede encontrar estas piezas dentro de la caja del actuador.



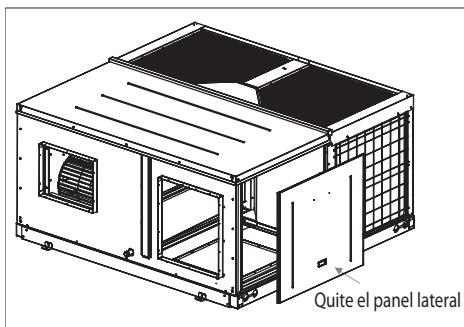
PASO 5

- Quite el panel lateral. A continuación, quite las 4 unidades de soporte de metal en el panel delantero. Instale el amortiguador de aire de retorno (elemento 11) + soporte, amortiguador de aire de retorno (elemento 10) + actuador Belimo, LF24-SR (elemento 1) que ya está montado en el paso 3 y paso 4 en el panel delantero de la unidad utilizando los mismos agujeros de tornillo. Utilice el tornillo M5x16 (elemento 13) para la sujeción.



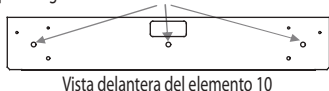
PRECAUCIÓN

Amplíe el sensor de aire de retorno que está dentro de la unidad (encima de la abertura de aire de retorno) a la zona exterior de la unidad. Esto se podría hacer dirigiendo el sensor a través de los pequeños agujeros en el soporte, amortiguador de aire de retorno (elemento 10). El sensor entonces se coloca adecuadamente dentro del conducto de aire de retorno utilizando los cables de enlace (suministro de campo). No hacerlo puede afectar el rendimiento de la unidad y provocar malestar térmico a los usuarios.

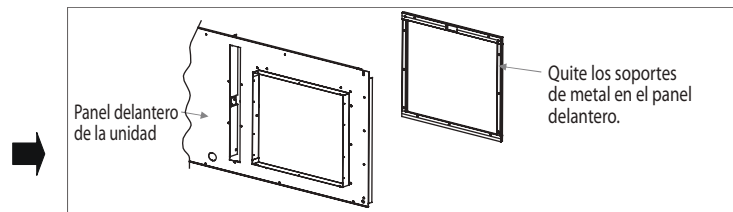


Quite el panel lateral

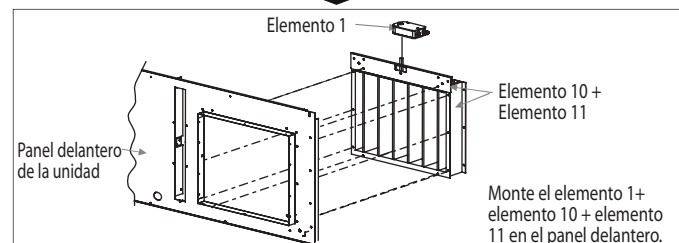
Utilice cualquiera de los tres agujeros abajo en el elemento 10 para dirigir el sensor de aire de retorno fuera de la unidad.



Vista delantera del elemento 10



Quite los soportes de metal en el panel delantero.



Elemento 10 + Elemento 11

Monte el elemento 1 + elemento 10 + elemento 11 en el panel delantero.

PASO 6

- Monte una unidad del actuador Belimo, LF24-SR (elemento 1) etiquetado con "OA" en el panel lateral con amortiguador de aire exterior (elemento 2). Alinee e inserte el agujero del actuador en el eje del amortiguador.



PRECAUCIÓN 1

El ajuste por defecto para el amortiguador de aire exterior (elemento 2) debería abrirse del todo. Asegure que este amortiguador está en posición "totalmente cerrada" antes de montar el actuador. Si no lo hace así provocará errores durante el funcionamiento normal de la unidad.

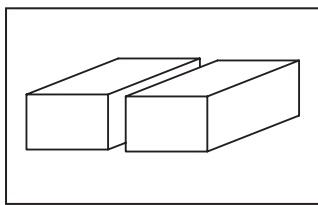


PRECAUCIÓN 2

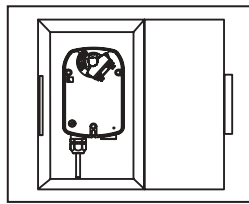
La superficie del actuador que está hacia arriba / fuera debería estar etiquetada con el símbolo "R" para garantizar la rotación de modulación del actuador en dirección en contra del sentido de las agujas del reloj. Si no lo hace así provocará errores durante el funcionamiento de la unidad con función economizador.

Nota

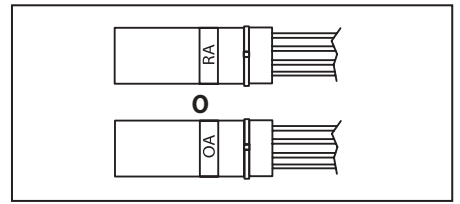
Has 2 unidades de actuador Belimo, LF24-SR (elemento 1) en el kit economizador que viene junto a las cajas de cartón. Abra las cajas y reconozca la etiqueta en el cable. El actuador utilizado en el paso 6 es el que tiene la etiqueta "OA".



2 unidades de elemento 1 en cajas de cartón.

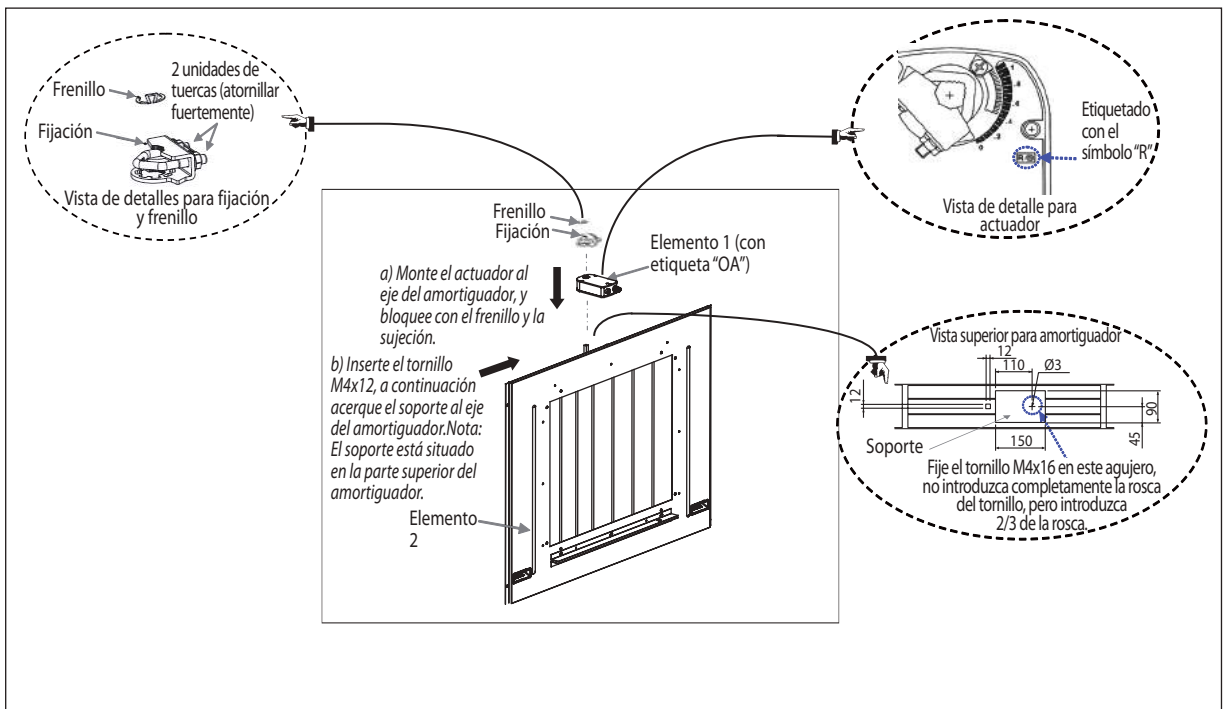


Abra la caja.



Reconozca la etiqueta en el cable. En uno de ellos tiene "RA" mientras que en el otro pone "OA".

- A continuación, sujeta 1 unidad de tornillo M4x12 (elemento 14) en el soporte del amortiguador. No introduzca totalmente la rosca del tornillo, solo 2/3 partes. Monte el actuador al soporte acercando el soporte al eje del amortiguador. La función del tornillo M4x12 es bloquear el actuador para que no resbale durante la modulación.
- A continuación, ponga la sujeción en el eje y bloquee el actuador con el frenillo. Sujete las tuercas de fijación firmemente utilizando la llave inglesa ajustable. Teniendo en cuenta que la fijación y el frenillo vienen junto al actuador como piezas estándar, puede encontrar estas piezas dentro de la caja del actuador.

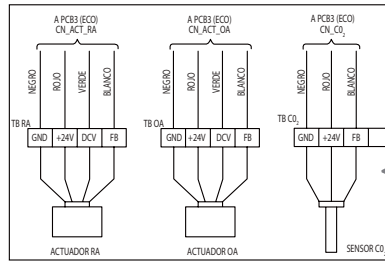


PASO 7

- Conecte el actuador Belimo, LF24-SR (elemento 1) con la etiqueta "RA", que ahora está localizada en el amortiguador de montaje en el frontal al bloque terminal con la etiqueta "RA" dentro de la caja de conexión.
- Hay cuatro cables en el actuador con diferentes colores (negro, rojo, verde y blanco). Conecte los cables como se muestra abajo:

- Cable negro - conéctelo al primer polo del bloque terminal con la etiqueta "GND".
- Cable rojo - conéctelo al segundo polo del bloque terminal con la etiqueta "+24V".
- Cable verde - conéctelo al tercer polo del bloque terminal con la etiqueta "DCV".
- Cable blanco - conéctelo al cuarto polo del bloque terminal con la etiqueta "FB".

(Pueden consultar la pegatina del diagrama de cableado que está situada en la cubierta delantera de la caja de conexiones.)



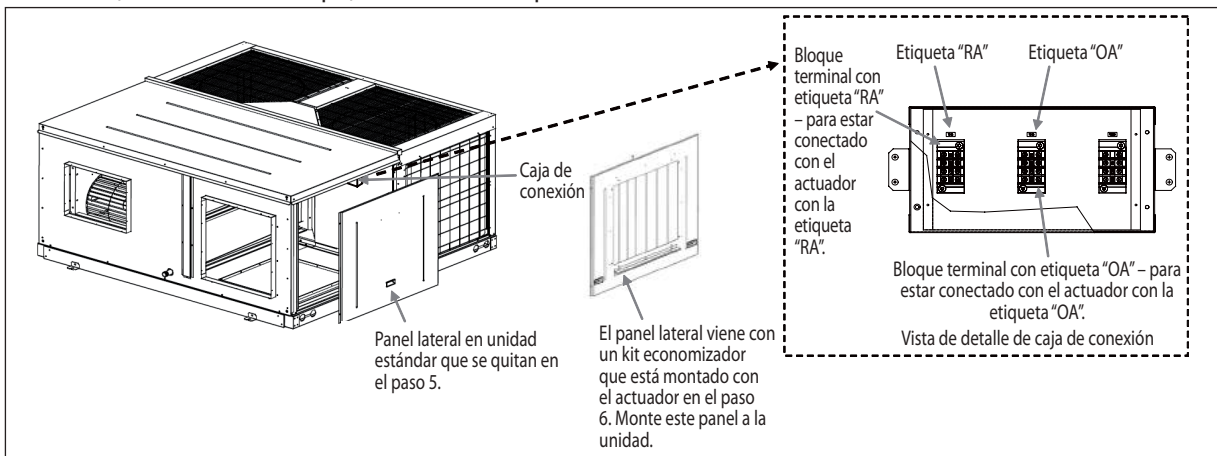
Pegatina de diagrama de cableado en la cubierta delantera del cuadro de conexión



PRECAUCIÓN

La conexión errónea de cable puede provocar el mal funcionamiento en el sensor de CO2 o tablero controlador economizador o ambos. Ate los cables con cables de enlace liberables bajo la caja de conexión.

- Conecte el actuador Belimo, LF24-SR (elemento 1) con la etiqueta "OA", que ahora está localizada en el amortiguador de montaje en el frontal al bloque terminal con la etiqueta "OA" dentro de la misma caja de conexión. Siga el mismo método utilizado conectar cables entre el actuador "RA" y el bloque terminal "RA". A continuación, conecte el panel lateral de la unidad. Puede necesitar realizar una disposición adecuada en los cables del actuador utilizando cables de enlace (suministro de campo) antes de unir el panel lateral a la unidad.

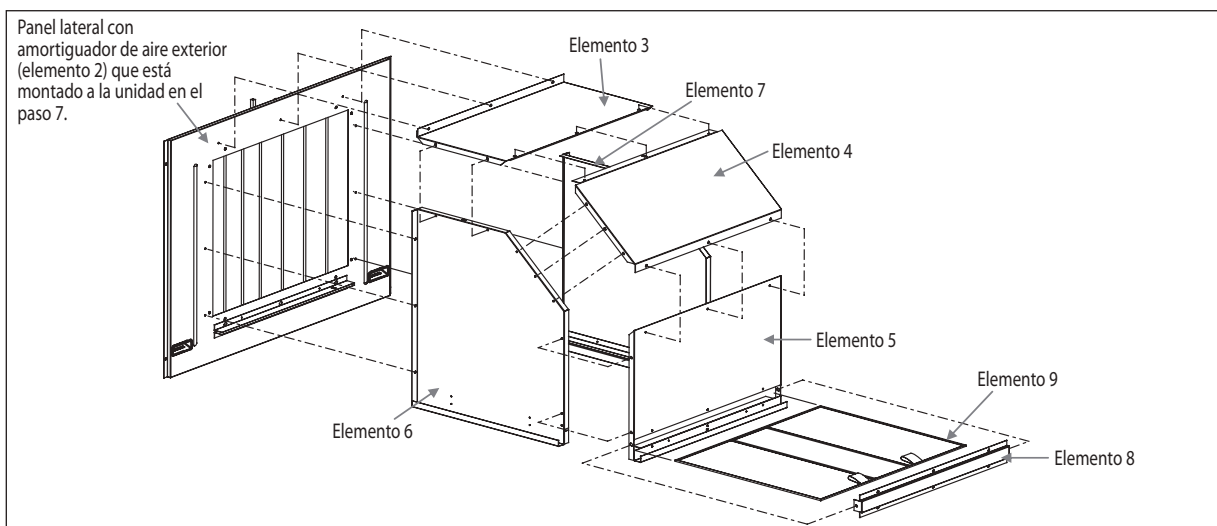


PASO 8

- Para montar la capucha de lluvia, monte las piezas sueltas (piezas de metal) al panel lateral. Antes de eso, coloque la junta (suministro de campo) en el panel lateral para sellarlo.
- A continuación, siga la secuencia de instalación para montar la capucha de lluvia:

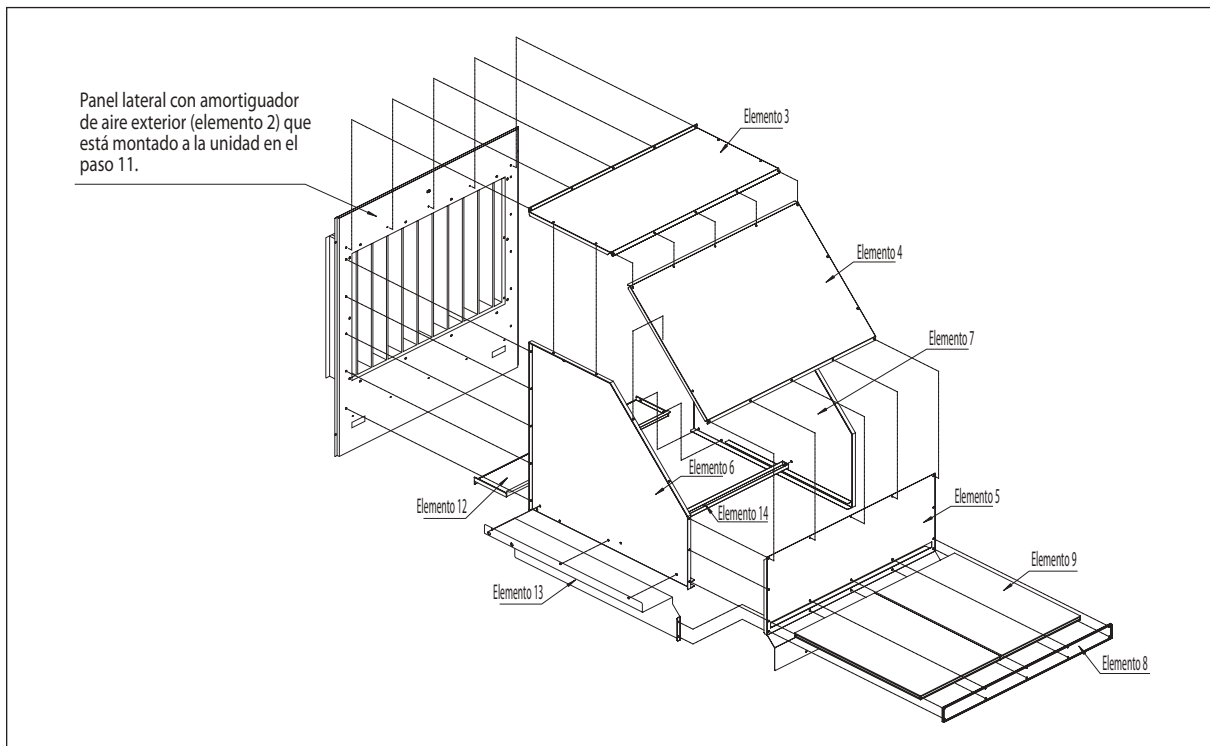
Modelo : UATYQ 250, 350, 450, 550, 600, 700

Junta
Elemento 2 ----->Elemento 6 ----->Elemento 7 ----->Elemento 3 ----->Elemento 4 ----->Elemento 5 ----->Elemento 9 ----->Elemento 8 -----> Sellante



Modelo : UATYQ 900

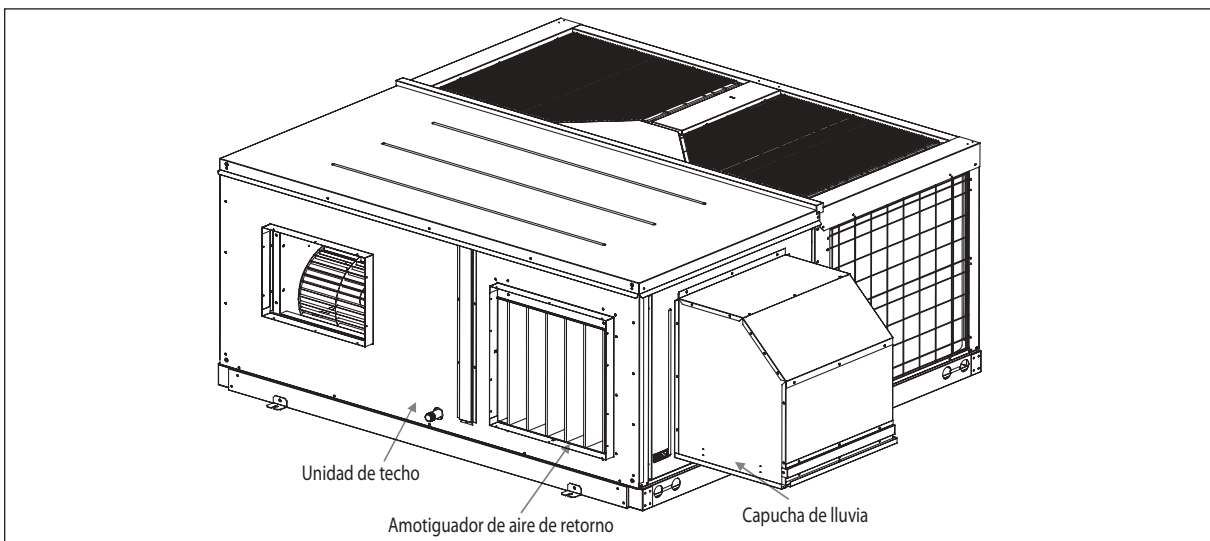
Junta
 Elemento 2 -----> Elemento 6 -----> Elemento 7 -----> Elemento 12 -----> Elemento 13 -----> Elemento 5 -----> Elemento 4 -----> Elemento 3 -----> Elemento 13 -----> Elemento 9 -----> Elemento 8 -----> Sellante



- Se recomienda precintar todas las juntas y espacios con sellante a prueba de agua (como silicona, elemento, suministro de campo) con el fin de garantizar un acabado a prueba de agua con la capucha de agua.

PASO 9

- Finalmente, puede ver la unidad con kit economizador como se muestra en el diagrama abajo:



Nota

Unidad mostrada en los diagramas desde el paso 1 al paso 9 son UATYQ350. Otros modelos deberán seguir el mismo método.

Unidad mostrada en los diagramas desde el paso 1 al paso 10 son UATYQ900. Otros modelos deberán seguir el mismo método.

(ii) Aplicación de retorno hacia abajo (vertical)

PASO 1

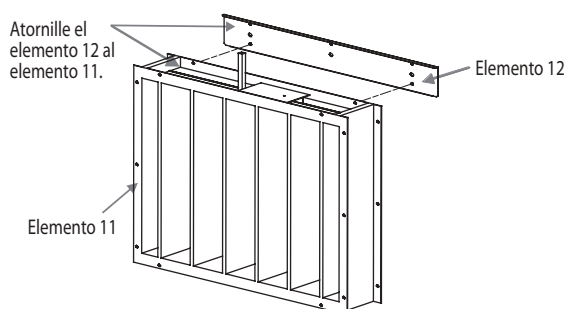
- Desconecte la alimentación eléctrica a la unidad e instale una etiqueta de bloqueo de seguridad antes de la instalación, puesta en servicio o servicio de la unidad economizadora. Prepare todas las herramientas necesarias como se indica arriba.

PASO 2

- Desempaque la caja de madera del kit economizador utilizando la palanca y el martillo. A continuación, quite las bolsas de plástico que contengan y piezas sueltas y cierres utilizando un cutter. Lleve a cabo la comprobación de la preinstalación como se indica arriba.

PASO 3

- Fije el soporte, flujo de hundimiento, (elemento 12) al amortiguador de aire de retorno (elemento 11) utilizando el tornillo M5x16 (elemento 13) proporcionado en el kit.



Nota

Soporte, dirección hacia abajo (elemento 12) no está disponible en ECONO 700 & 900. Para instalar el kit economizador para este modelo, ignore el paso 3 y salte al paso 4.

PASO 4

- Monte una unidad del actuador Belimo, LF24-SR (elemento 1) en el amortiguador de retorno de aire (elemento 11). Alinee e inserte el agujero del actuador en el eje del amortiguador.



PRECAUCIÓN 1

El ajuste por defecto para el amortiguador del aire de retorno (elemento 11) debería abrirse del todo. Asegure que este amortiguador está en posición "totalmente abierta" antes de montar el actuador. Si no lo hace así provocará errores durante el funcionamiento normal de la unidad.

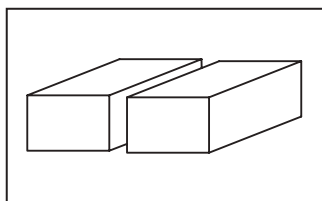


PRECAUCIÓN 2

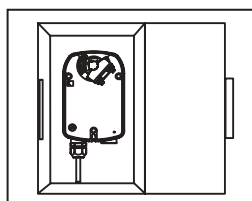
La superficie del actuador que está hacia arriba/fuera debería estar etiquetada con el símbolo "L" para garantizar la rotación de modulación del actuador en dirección en el sentido de las agujas del reloj. Si no lo hace así provocará errores durante el funcionamiento de la unidad con función economizador.

Nota

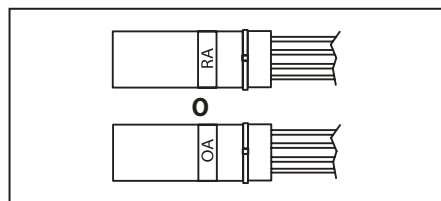
Has 2 unidades de actuador Belimo, LF24-SR (elemento 1) en el kit economizador que viene junto a las cajas de cartón. Abra las cajas y reconozca la etiqueta en el cable. El actuador utilizado en el paso 4 es el que tiene la etiqueta "RA".



2 unidades de elemento 1 en cajas de cartón.

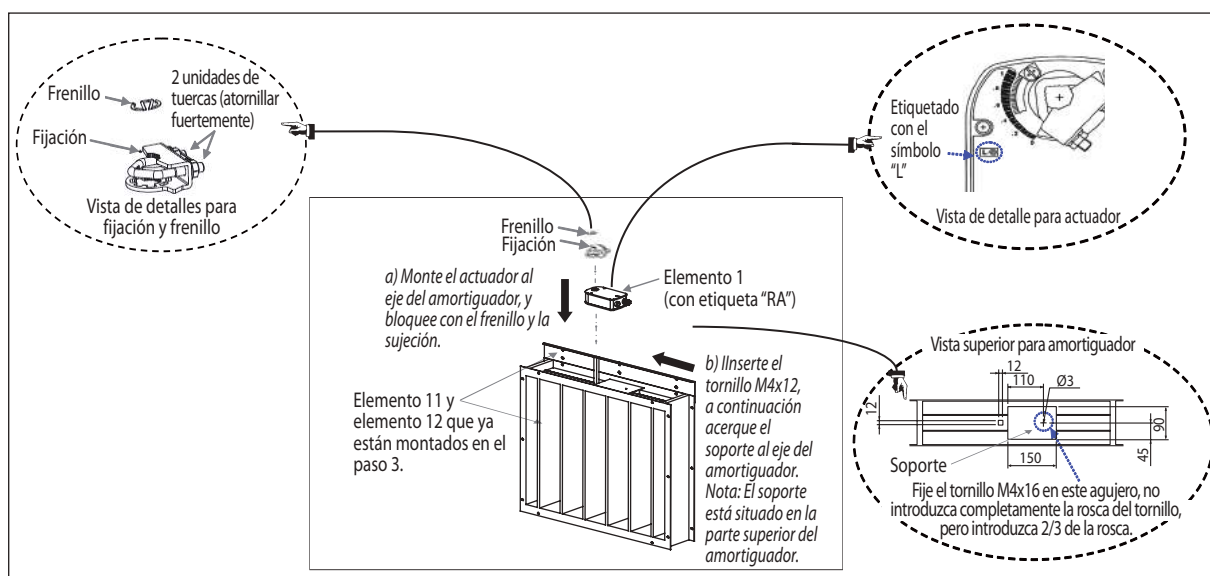


Abra la caja.



Reconozca la etiqueta en el cable. En uno de ellos tiene "RA" mientras que en el otro pone "OA".

- A continuación, sujeta 1 unidad de tornillo M4x12 (elemento 14) en el soporte del amortiguador. No introduzca totalmente la rosca del tornillo, solo 2/3 partes. Monte el actuador al soporte acercando el soporte al eje del amortiguador. La función del tornillo M4x12 es bloquear el actuador para que no resbale durante la modulación.
- A continuación, ponga la sujeción en el eje y bloquee el actuador con el frenillo. Sujete las tuercas de fijación firmemente utilizando la llave inglesa ajustable. Teniendo en cuenta que la fijación y el frenillo vienen junto al actuador como piezas estándar, puede encontrar estas piezas dentro de la caja del actuador.



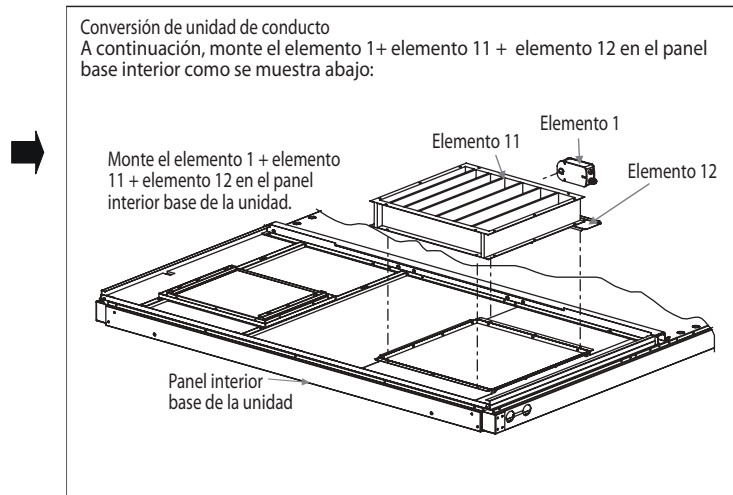
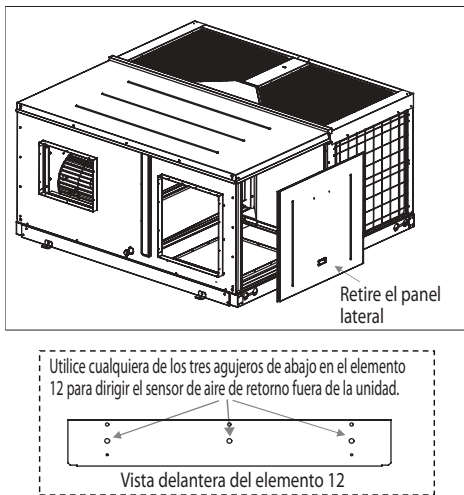
PASO 5

- Quite el panel lateral. Realice la conversión de unidad desde unidad estándar a unidad de hundimiento siguiendo los pasos indicados en la parte (G) en el capítulo "INSTALACIÓN DE LA UNIDAD" en este manual.
- A continuación, instale el amortiguador de aire de retorno (elemento 11) + soporte, flujo de hundimiento (elemento 12) + actuador Belimo, LF24-SR (elemento 1) que ya está montado en el paso 3 y paso 4 en el panel interior base de la unidad utilizando el tornillo M5x16 (elemento 13).



CAUTION

Amplíe el sensor de aire de retorno que está dentro de la unidad (encima de la abertura de aire de retorno) a la zona exterior de la unidad. Esto se puede hacer dirigiendo el sensor a través de los pequeños agujeros en el soporte, flujo de hundimiento (elemento 12). El sensor entonces se coloca adecuadamente dentro del conducto de aire de retorno utilizando los cables de enlace (suministro de campo). No hacerlo puede afectar el rendimiento de la unidad y provocar y provocar malestar térmico a los usuarios. Para el modelo ECON0700 y UATYQ0700, el enrutamiento de un sensor se puede realizar a través del pequeño agujero en la brida de metal de la abertura de aire de retorno en dirección hacia



PASO 6

- Monte una unidad del actuador Belimo, LF24-SR (elemento 1) en el panel lateral del amortiguador de retorno de aire (elemento 2). Alinee e inserte el agujero del actuador en el eje del amortiguador.



PRECAUCIÓN 1

El ajuste por defecto para el amortiguador de aire exterior (elemento 2) debería abrirse del todo. Asegure que este amortiguador está en posición "totalmente cerrada" antes de montar el actuador. Si no lo hace así provocará errores durante el funcionamiento normal de la unidad.

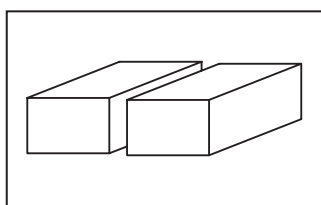


PRECAUCIÓN 2

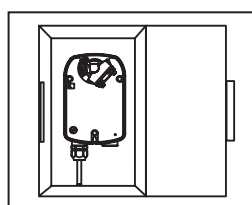
La superficie del actuador que está hacia arriba / fuera debería estar etiquetada con el símbolo "R" para garantizar la rotación de modulación del actuador en dirección en contra del sentido de las agujas del reloj. Si no lo hace así provocará errores durante el funcionamiento de la unidad con función economizador.

Nota

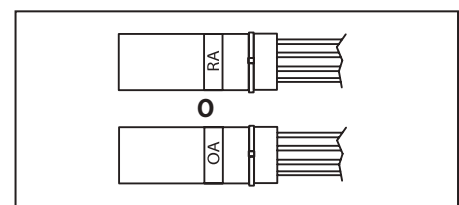
Has 2pcs de actuador Belimo, LF24-SR (elemento 1) en el kit economizador que viene junto a las cajas de cartón. Abra las cajas y reconozca la etiqueta en el cable. El actuador utilizado en el paso 6 es el que tiene la etiqueta "OA".



2 unidades de elemento 1 en cajas de cartón.

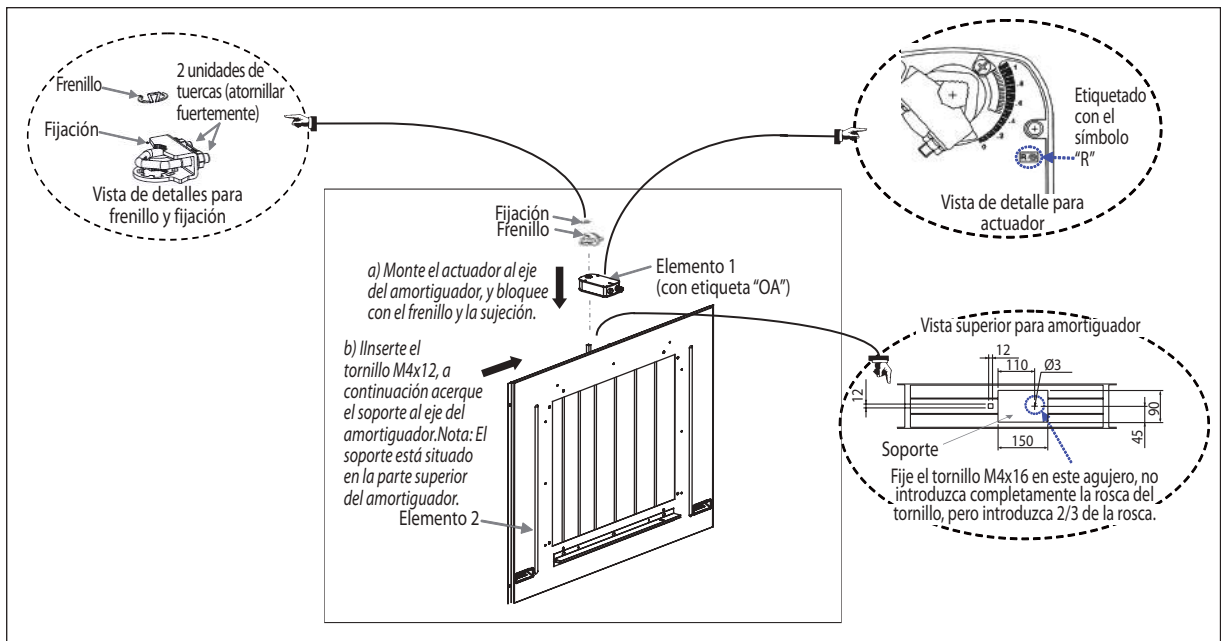


Abra la caja.



Reconozca la etiqueta en el cable. En uno de ellos tiene "RA" mientras que en el otro pone "OA".

- A continuación, sujete 1 unidad de tornillo M4x12 (elemento 14) en el soporte del amortiguador. No introduzca totalmente la rosca del tornillo, solo 2/3 partes. Monte el actuador al soporte acercando el soporte al eje del amortiguador. La función del tornillo M4x12 es bloquear el actuador para que no resbale durante la modulación.
- A continuación, ponga la sujeción en el eje y bloquee el actuador con el frenillo. Sujete las tuercas de fijación firmemente utilizando la llave inglesa ajustable. Teniendo en cuenta que la fijación y el frenillo vienen junto al actuador como piezas estándar, puede encontrar estas piezas dentro de la caja del actuador.

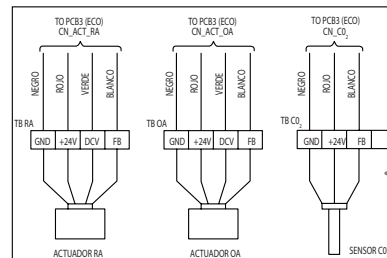


PASO 7

- Conecte el actuador Belimo, LF24-SR (elemento 1) con la etiqueta "RA", que ahora está localizada en el amortiguador de montaje en el frontal al bloque terminal con la etiqueta "RA" dentro de la caja de conexión.
- Hay cuatro cables en el actuador con diferentes colores (negro, rojo, verde y blanco). Conecte los cables como se muestra abajo:

- Cable negro - conéctelo al primer polo del bloque terminal con la etiqueta "GND".
- Cable rojo - conéctelo al segundo polo del bloque terminal con la etiqueta "+24V".
- Cable verde - conéctelo al tercer polo del bloque terminal con la etiqueta "DCV".
- Cable blanco - conéctelo al cuarto polo del bloque terminal con la etiqueta "FB".

(Pueden consultar la pegatina del diagrama de cableado que está situada en la cubierta delantera de la caja de conexiones.)

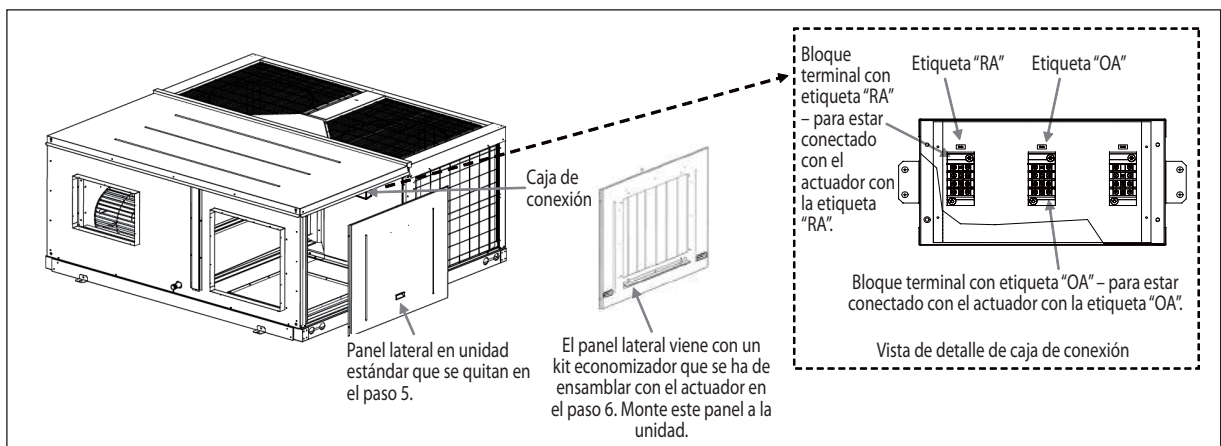


Pegatina de diagrama de cableado en la cubierta delantera del cuadro de conexión

PRECAUCIÓN

La conexión errónea de cables puede provocar el mal funcionamiento en el actuador o tablero controlador economizador o ambos. Ate los cables con cables de enlace liberables bajo la caja de conexión.

- Conecte el actuador Belimo, LF24-SR (elemento 1) con la etiqueta "OA", que ahora está localizada en el amortiguador de montaje en el frontal al bloque terminal con la etiqueta "OA" dentro de la misma caja de conexión. Siga el mismo método utilizado conectar cables entre el actuador "RA" y el bloque terminal "RA". A continuación, conecte el panel lateral de la unidad. Puede necesitar realizar una disposición adecuada en los cables del actuador utilizando cables de enlace (suministro de campo) antes de unir el panel lateral a la unidad.

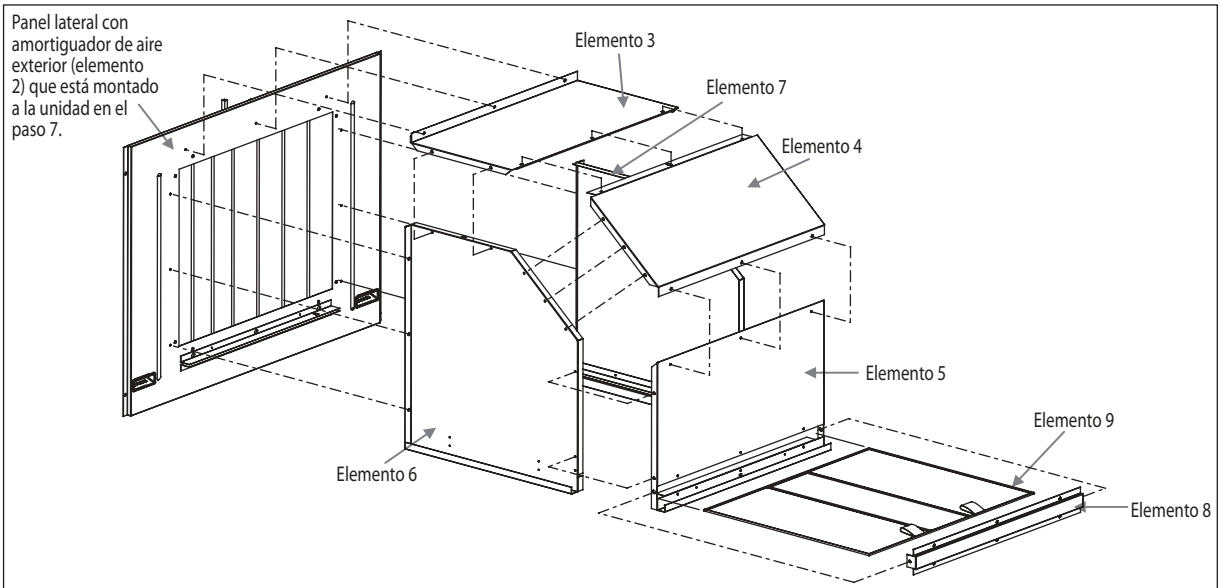


PASO 8

- Para montar la capucha de lluvia, monte las piezas sueltas (piezas de metal) al panel lateral. Antes de eso, coloque la junta (suministro de campo) en el panel lateral para sellarlo.
- A continuación, siga la secuencia de instalación para montar la capucha de lluvia:

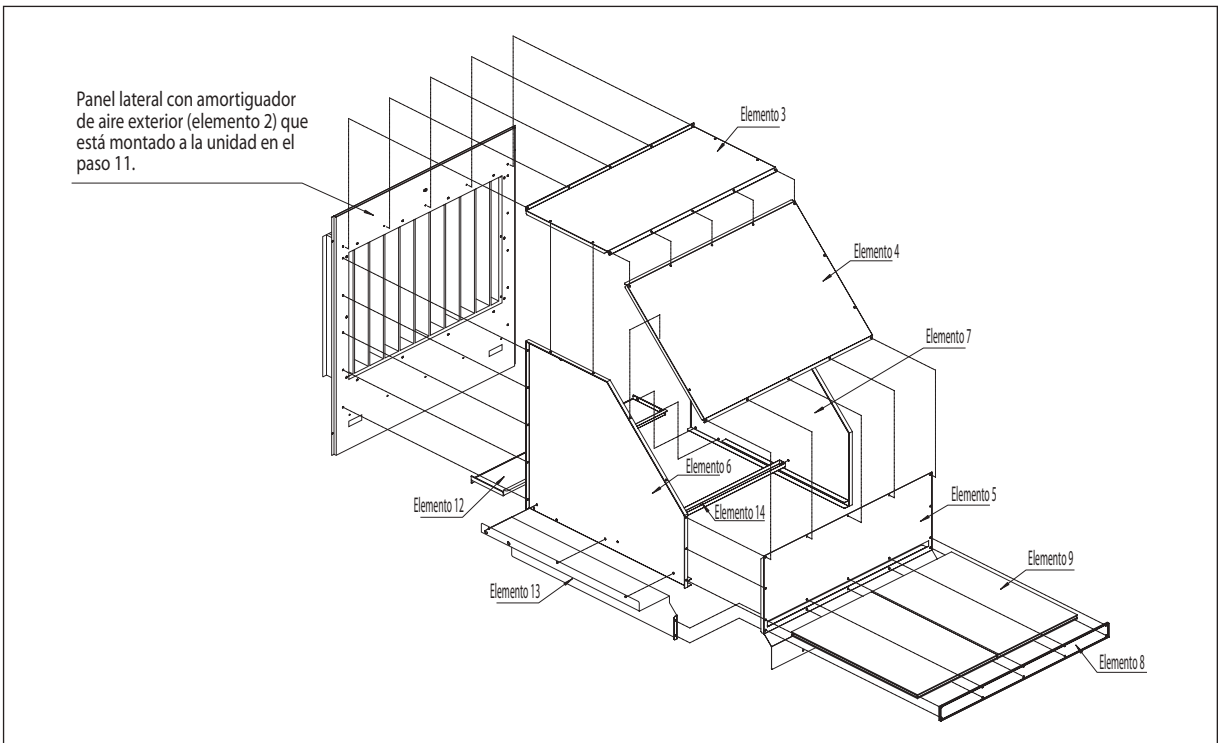
Modelo : UATYQ 250, 350, 450, 550, 600, 700

Junta
Elemento 2 -----> Elemento 6 -----> Elemento 7 -----> Elemento 3 -----> Elemento 4 -----> Elemento 5 -----> Elemento 9 -----> Elemento 8 -----> Sellante



Modelo : UATYQ 900

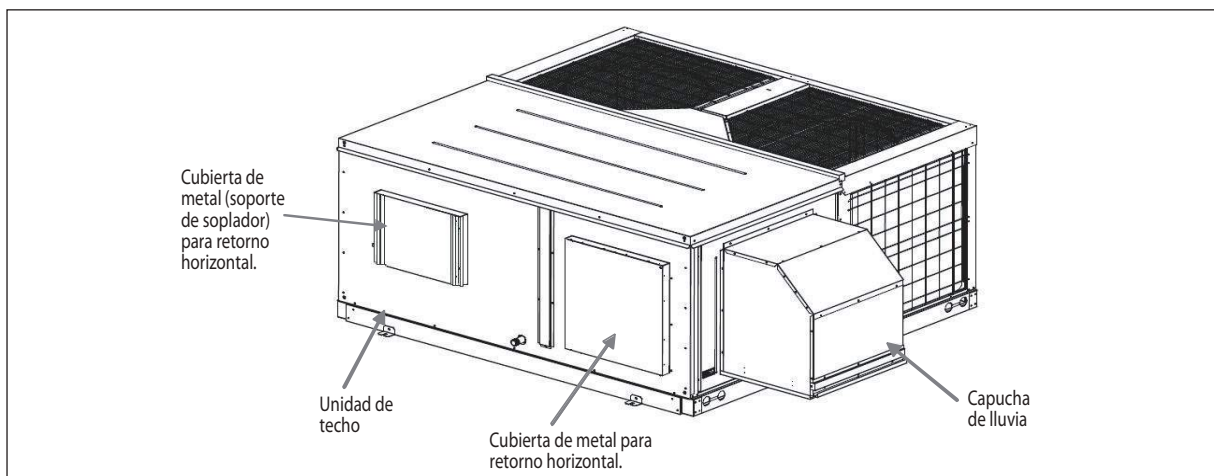
Junta
Elemento 2 -----> Elemento 6 -----> Elemento 7 -----> Elemento 12 -----> Elemento 13 -----> Elemento 5 -----> Elemento 4 -----> Elemento 3 -----> Elemento 13 -----> Elemento 9 -----> Elemento 8 -----> Sellante



- Se recomienda precintar todas las juntas y espacios con sellante a prueba de agua (como silicona, elemento, suministro de campo) con el fin de garantizar un acabado a prueba de agua con la capucha de agua.

PASO 9 & PASO 10 (solamente para UATYQ900).

- Finalmente, puede ver la unidad con kit economizador como se muestra en el diagrama abajo:
- Cuando se necesita el borde del techo para la aplicación de flujo de hundimiento, consulte la recomendación en la parte (C) en el capítulo "INSTALACIÓN DE LA UNIDAD" en este manual.



Nota

Unidad mostrada en los diagramas desde el paso 1 al paso 9 son UATYQ350. Otros modelos deberán seguir el mismo método.
Unidad mostrada en los diagramas desde el paso 1 al paso 10 son UATYQ900. Otros modelos deberán seguir el mismo método.

E Puesta en marcha

(i) Resistencia de flujo de aire

La resistencia del flujo de aire se refiere al descenso de la presión provocado por el kit de economizador. Antes de la instalación, se recomienda comprobar la tabla de descenso de presión que se proporciona en el libro de datos de ingeniería con el fin de hacer una selección de diseño correcto.

(ii) Ajuste de rendimiento

El rendimiento de la unidad disminuirá cuando la unidad funcione en modo de aire fresco, depende de la selección del usuario. Antes de la instalación, se recomienda comprobar la tabla de descenso de factor de corrección que se proporciona en el libro de datos de ingeniería con el fin de hacer una selección de diseño correcto.

(iii) Selección de modo

Por lo general, el kit proporciona dos selecciones de modo que son el modo de economizador y el modo de aire fresco.

- Modo economizador: Proporcione una refrigeración "libre" cuando la temperatura de aire exterior y humedad sea adecuada. Se puede utilizar sola o en conjunción con la refrigeración mecánica.
- Modo aire fresco: Proporciona aire fresco mínimo que es necesario para la ventilación o requisitos locales.

Nota

Consulte la directriz de ajuste de hardware proporcionada en la parte (D) (v) bajo el capítulo "GUÍA DE OPERACIÓN DE CONTROL" en este manual para la selección de modo.

(iv) Selección de aire fresco mínima

El kit proporciona la mínima selección de aire fresco desde 0~25% para ambos modos de refrigeración y calor. Mientras el modo economizador y modo de ventilador puede proporcionar hasta un máximo del 85% de aire fresco.

Nota

Consulte la directriz de ajuste de hardware proporcionada en la parte (D) (v) bajo el capítulo "GUÍA DE OPERACIÓN DE CONTROL" en este manual para la selección de aire fresco mínimo.

(v) Característica de protección de sobrefrigeración

El malestar térmico puede suceder durante ambiente frío debido a la abertura de la abertura del amortiguador de aire exterior. Esta situación se puede evitar cuando la característica de protección sobreenfriamiento está activada.

Nota

Consulte la directriz de ajuste de hardware proporcionada en la parte (D) (v) en el capítulo "GUÍA DE OPERACIÓN DE CONTROL" en este manual para la activación del ajuste de protección de sobrefrigeración.

(vi) RANGO OPERATIVO

El rango operativo aplicable para la unidad con característica de economizador es igual que la unidad normal. Consulte el capítulo "RANGO OPERATIVO" en este manual.

Sin embargo, la restricción de la abertura de aire fresco, ocurrirá en un ambiente alto o bajo con el fin de garantizar la fiabilidad de la unidad. Consulte el libro de datos de ingeniería para obtener información detallada.



PRECAUCIÓN

El rendimiento se reducirá en un ambiente alto o un ambiente bajo, consulte el elemento (E)(ii).

(vii) Filtro de aire opcional

Hay una ranura de filtro de 2" dentro de la unidad. El filtro opcional (suministrado de campo) está recomendado como la segunda filtración de capa ya que la abertura del amortiguador de aire exterior puede atraer polvo y suciedad.

F Servicio y mantenimiento

(i) Servicio del filtro

La resistencia del flujo de aire puede aumentar cuando el filtro se ensucia. Limpie el filtro por lo menos una vez cada 2 semanas. El filtro de aire en la capucha de lluvia que está expuesto al ambiente exterior puede ser dañado por bichos o animales. Sustituya el filtro de aire cuando está dañado.

(ii) Servicio del compartimiento interior

La abertura del amortiguador de aire exterior puede aún meter polvo ya que el filtro de capucha no puede filtrar totalmente las partículas de suciedad. De este modo, el compartimiento interior se ha de limpiar durante el servicio del filtro.

(iii) Servicio del amortiguador

Limpie el amortiguador sucio, especialmente el amortiguador de aire exterior que esta expuesto todo el tiempo al medio ambiente.

Nota

Consulte el capítulo "SERVICIO Y MANTENIMIENTO" en este manual.

G Exigencia de control de ventilación

- Una técnica para reducir el consumo de energía mientras mantienen la calidad de aire adecuada es requerir ventilación controlada. En lugar de establecer una tasa de recambio de aire fijo, sensor de dióxido de carbono (sensor de CO₂) se utiliza para controlar la tasa dinámicamente, basada en las emisiones de los ocupantes actuales de edificios.
- Sensor CO₂ es un componente opcional suministrado en campo. Consulte la información abajo para la recomendación para la selección de CO₂:

- Tipo: Tipo de conducto montado
- Entrada de corriente: 24 VDC, 50Hz
- Rango de temperatura operativa: 0 ~ 52°C
- Rango de temperatura ambiente: -15 ~ 52°C
- Rango de medición: 0 ~ 5000 PPM (depende de la aplicación)
- Voltaje de salida: 2 ~ 10 VDC
- Tamaño del cable: AWG18
- Corriente máxima permitida: 7A
- Estándares de conformidad: Para seguir regulaciones locales y nacionales

- El controlador de economizador viene con un software integrado que está listo con la integración de sensor CO₂. Está activado solo en modo economizador. El usuario puede elegir la selección de diferentes valores límite a través de interruptor Dip 3. Consulte la directriz de ajuste de hardware proporcionada en la parte (D) (v) en el capítulo "GUÍA DE DE OPERACIÓN DE CONTROL" en este manual para selección de valor de límite de valor de CO₂ PPM.

Por ejemplo: Para utilizar un sensor de CO₂ con un rango de medición entre 0 ~ 5000 PPM con el valor límite a 1250PPM, el usuario necesita realizar los siguientes pasos:-

- Paso 1: Habilite el SW4 en el único interruptor Dip en el tablero principal de controlador con la posición ON (ajuste de fábrica por defecto en posición OFF).
- Paso 2: Habilite el parámetro del panel G6 (control de economizador) en controlador remoto en la posición '1' (ON) (ajuste de fábrica por defecto en posición '0' (OFF)).
- Paso 3: Asegúrese de que SW2 en el interruptor Dip 4 (tablero de controlador de economizador) está en posición OFF (ajuste de fábrica por defecto en posición OFF).
- Paso 4: Habilitar SW1 en interruptor Dip 3 (Tablero de controlador de economizador) a posición ON (ajuste de fábrica por defecto está en posición OFF).
{SW1 en interruptor Dip 3 = 25%, mediante medios de cálculo del 25% de 5000 PPM o equivalente a 1250 PPM}.

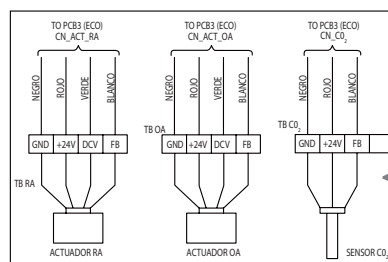
- Si el sensor de CO₂ está expuesto al ambiente exterior, cubra el sensor con una caja a prueba de salpicaduras (IPX4) con tornillo como mecanismo de cierre o un mecanismo similar para evitar la entrada de agua en el sensor de CO₂ y también para evitar el posible contacto con el sensor. La conexión del sensor de CO₂ está considerada una parte conductora.
- A continuación, conecte el cable del sensor de CO₂ a la caja de conexión en el compartimiento interior de la unidad. Hay tres cables en el sensor de CO₂. Conecte los cables como se muestra abajo:

Cable de sistema a tierra - conéctelo al primer polo del bloque terminal con la etiqueta "GND".

Hilo conductor +24VDC - conéctelo al segundo polo del bloque terminal con la etiqueta "+24V".

Señal de cable salida / retroalimentación - conéctelo al tercer polo del bloque terminal con la etiqueta "FB".

(Pueden consultar la pegatina del diagrama de cableado que está situada en la cubierta delantera de la caja de conexiones.)

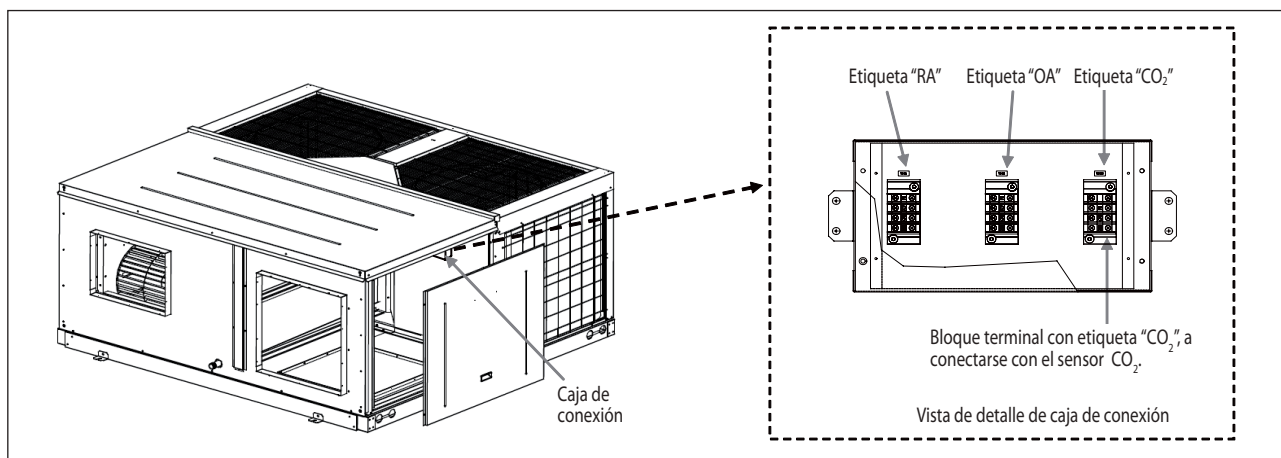


Pegatina de diagrama de cableado en la cubierta delantera del cuadro de conexión



PRECAUCIÓN

La conexión errónea de cable puede provocar el mal funcionamiento en el sensor de CO₂ o tablero controlador economizador o ambos. Ate los cables con cables de enlace liberables bajo la caja de conexión.



H Otros

(i) **Limitación del kit economizador en el control del termostato**

El control del termostato se utiliza con un controlador de terceros y por lo tanto no se puede conocer la temperatura de ajuste de una aplicación específica. Para este caso, se recomienda utilizar el controlador remoto para establecer el ajuste de temperatura necesario antes de llevar a cabo el ajuste de hardware para el control del termostato.

Nota

Consulte la directriz de ajuste de hardware proporcionada en la parte (D) (v) bajo el capítulo "GUÍA DE OPERACIÓN DE CONTROL" en este manual para la selección de modo.

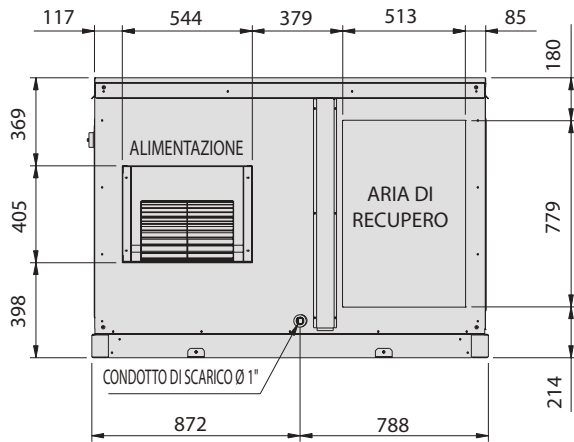
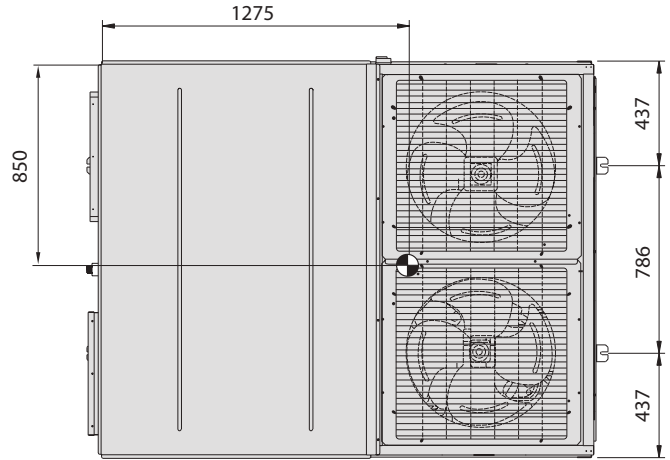
(ii) **Necesario para la liberación de presión**

La presencia de aire fresco puede provocar más presión alta en la habitación y malestar a los usuarios. Cuando sea necesario, se recomienda instalar un amortiguador de liberación de presión en el conducto de retorno.

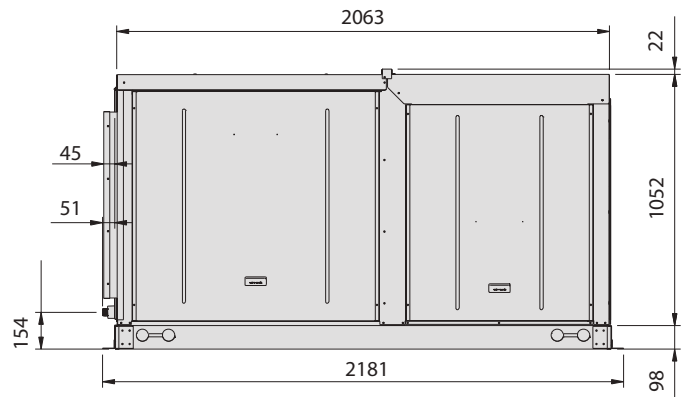
DISEGNI E DIMENSIONI

Modello: UATYQ250

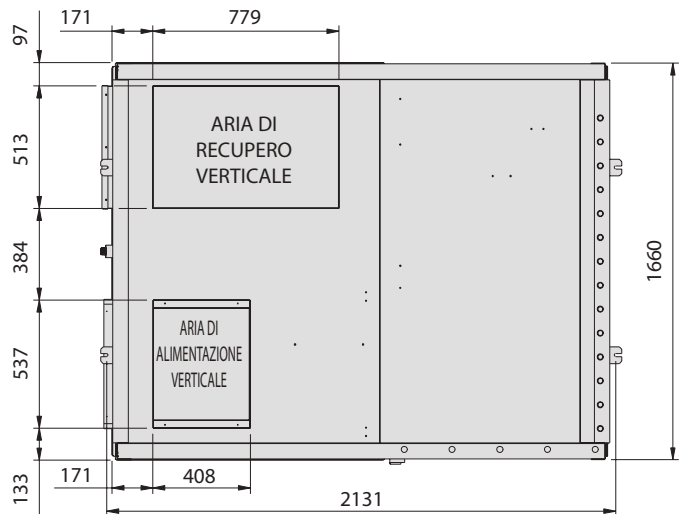
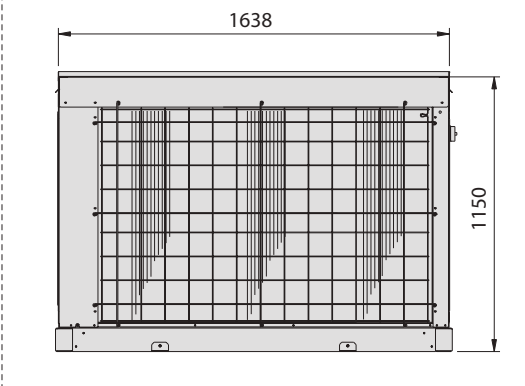
Tutte le dimensioni sono in mm



PER LO SCARICO ORIZZONTALE



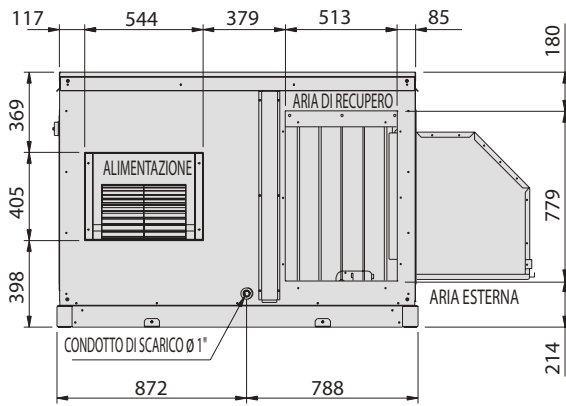
Panoramica dal lato posteriore dell'unità:



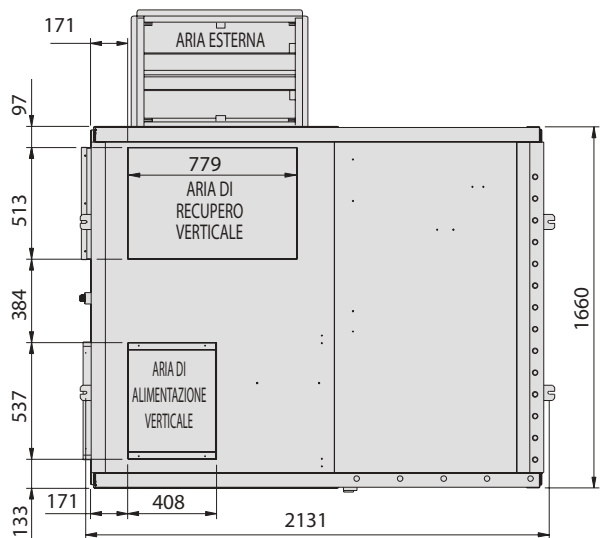
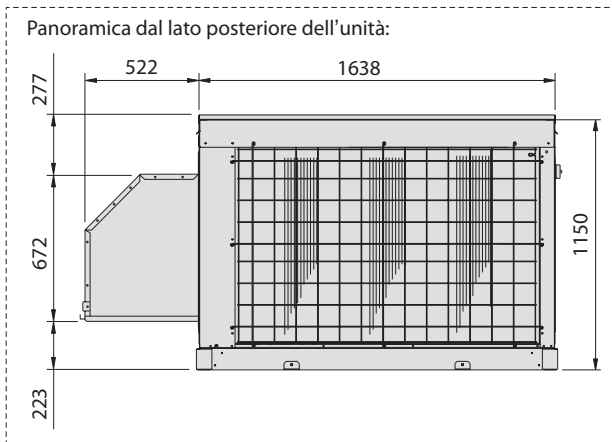
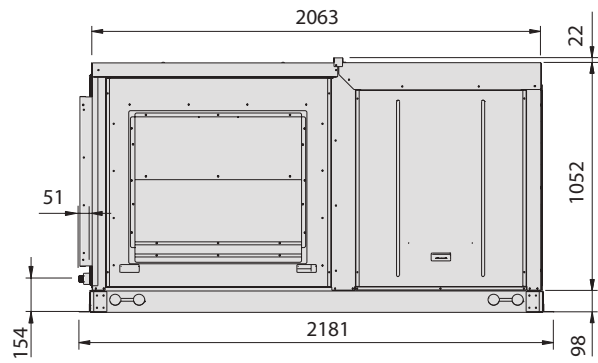
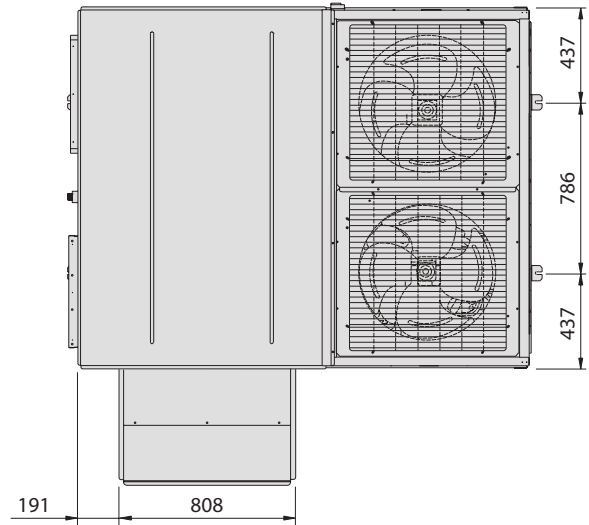
PER LO SCARICO VERTICALE

Modello: UATYQ250 CON OPZIONE DELL'ECONOMIZZATORE

Tutte le dimensioni sono in mm

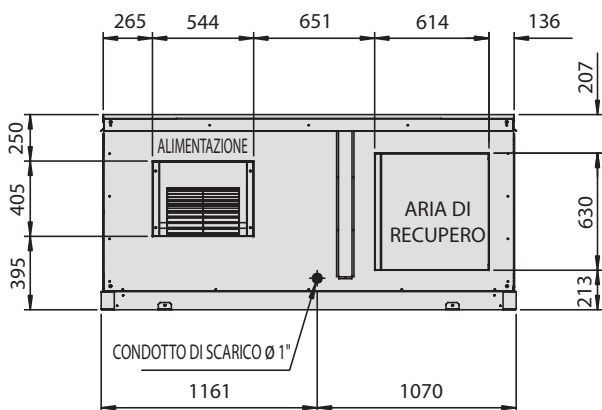
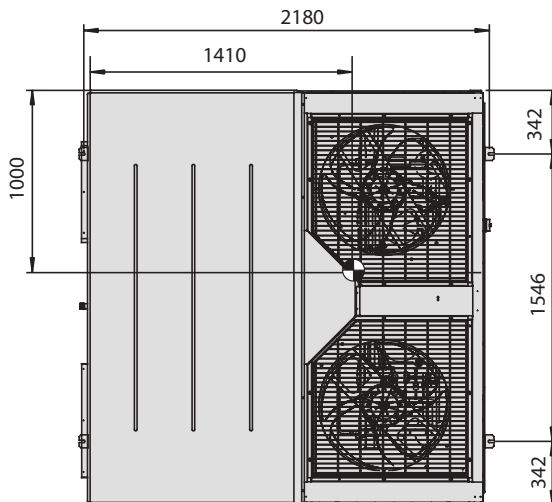


PER LO SCARICO ORIZZONTALE

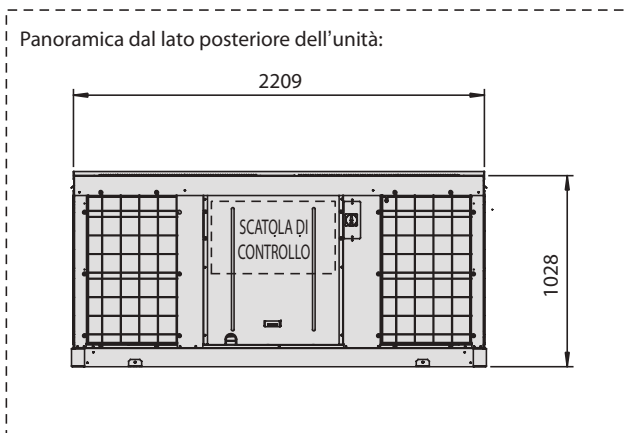
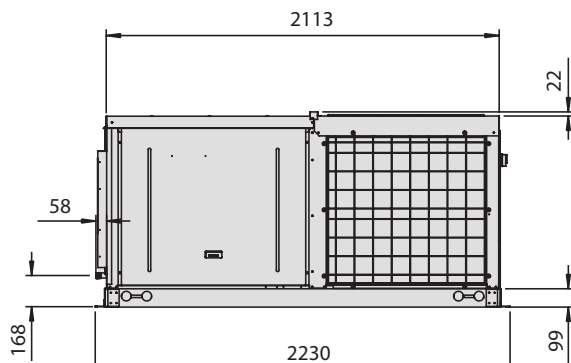


PER LO SCARICO VERTICALE

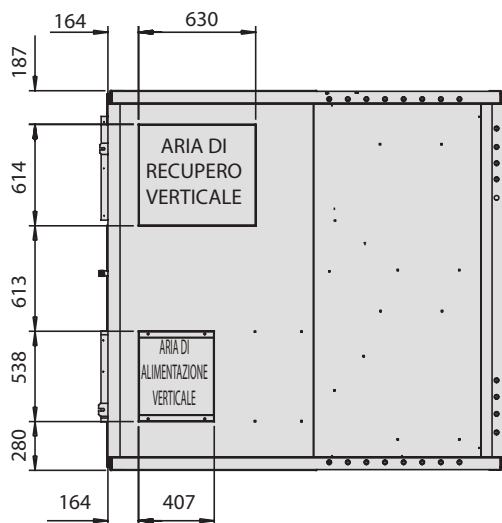
Tutte le dimensioni sono in mm



PER LO SCARICO ORIZZONTALE



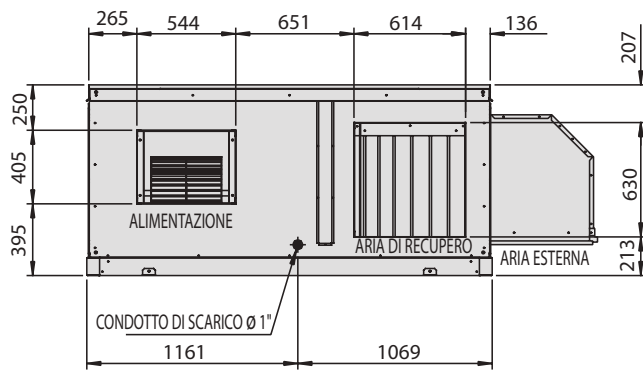
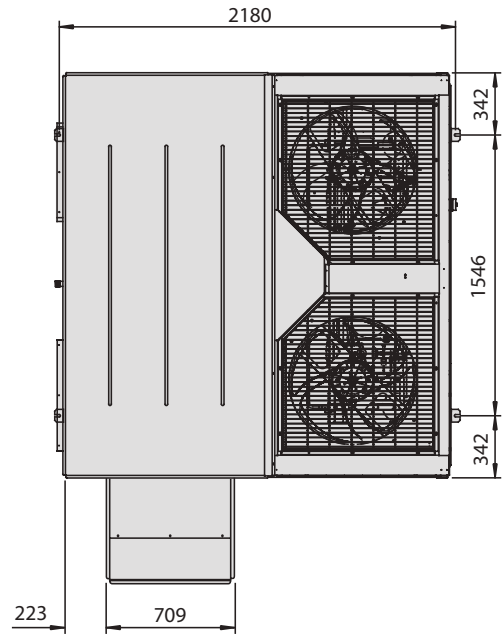
Panoramica dal lato posteriore dell'unità:



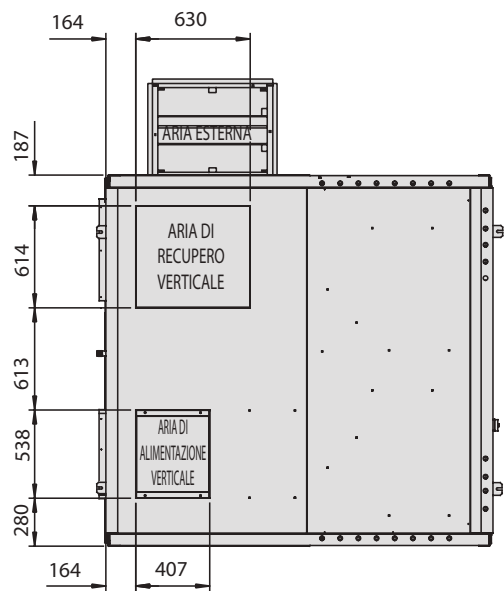
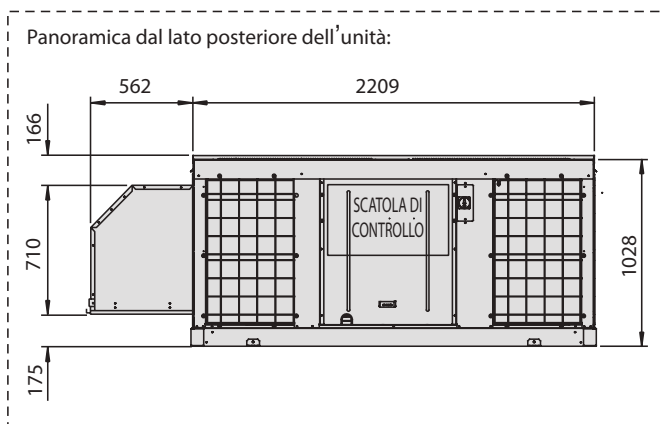
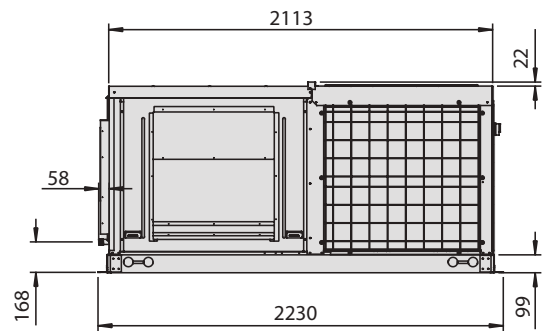
PER LO SCARICO VERTICALE

Modello: UATYQ350 CON OPZIONE DELL'ECONOMIZZATORE

Tutte le dimensioni sono in mm

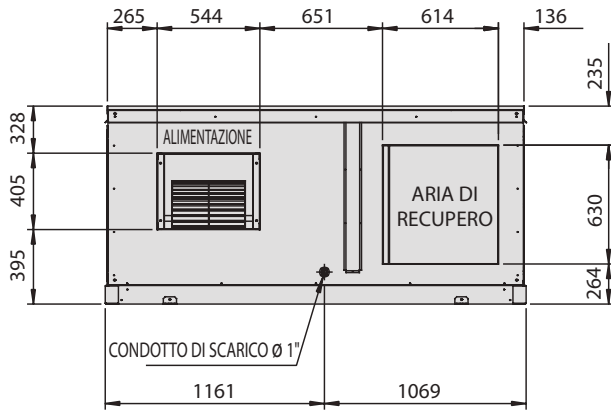


PER LO SCARICO ORIZZONTALE

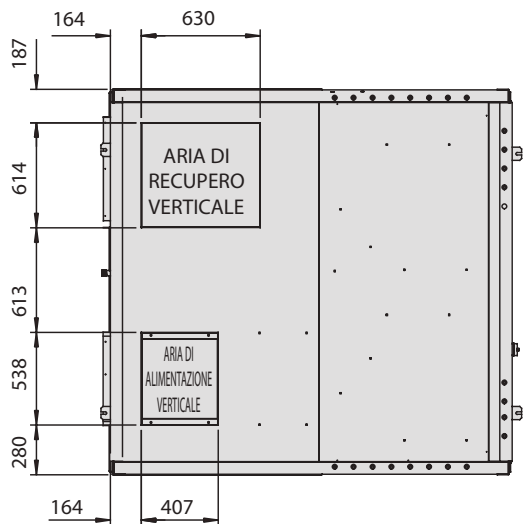
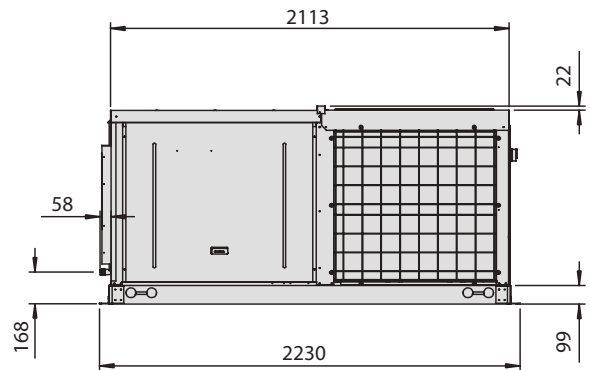
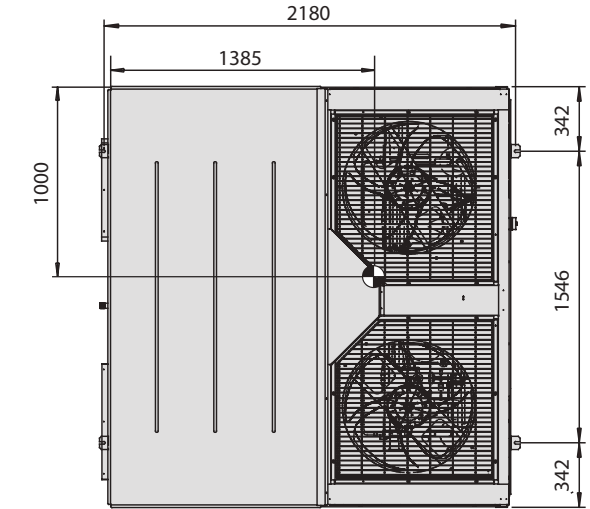


PER LO SCARICO VERTICALE

Tutte le dimensioni sono in mm



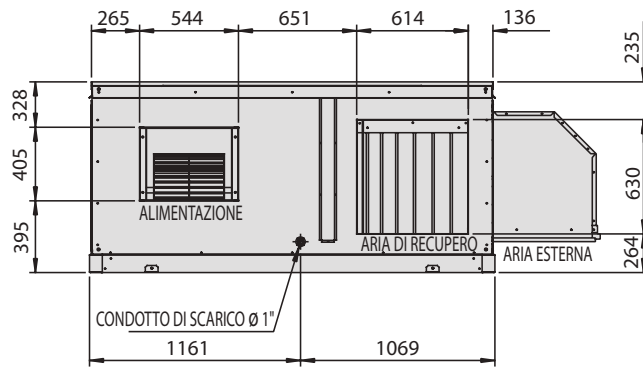
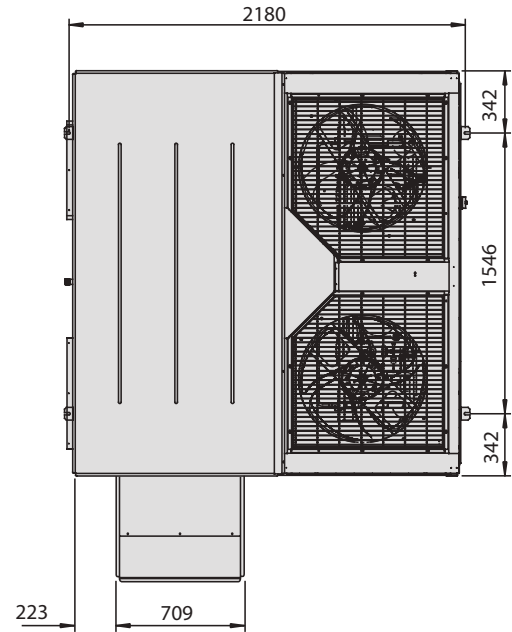
PER LO SCARICO ORIZZONTALE



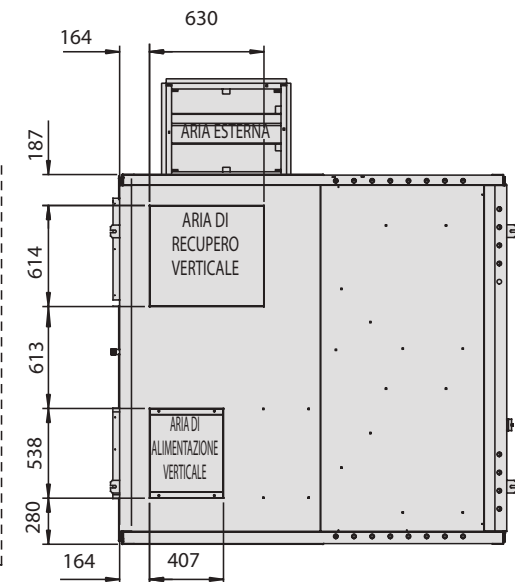
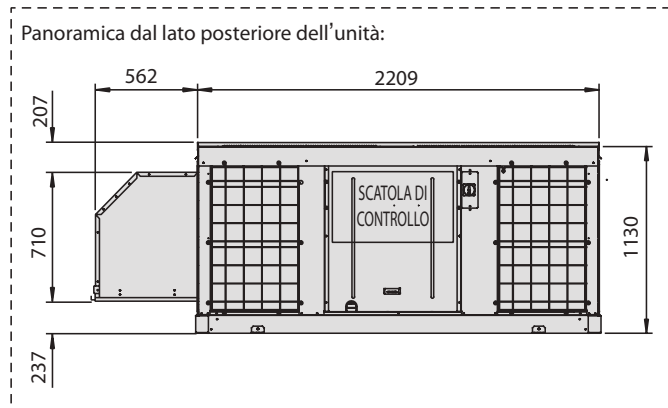
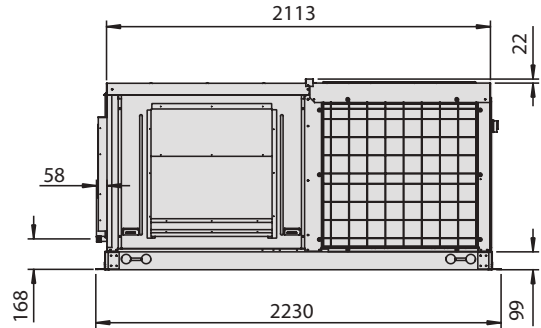
PER LO SCARICO VERTICALE

Modello: UATYQ450 CON OPZIONE DELL'ECONOMIZZATORE

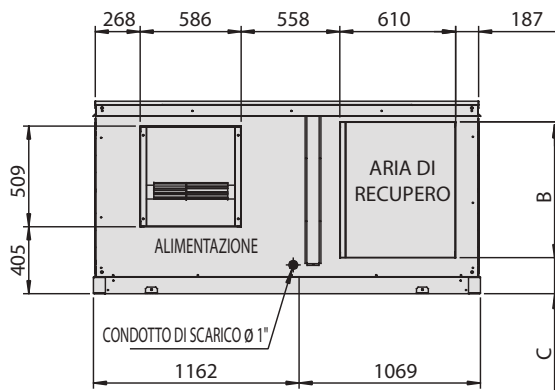
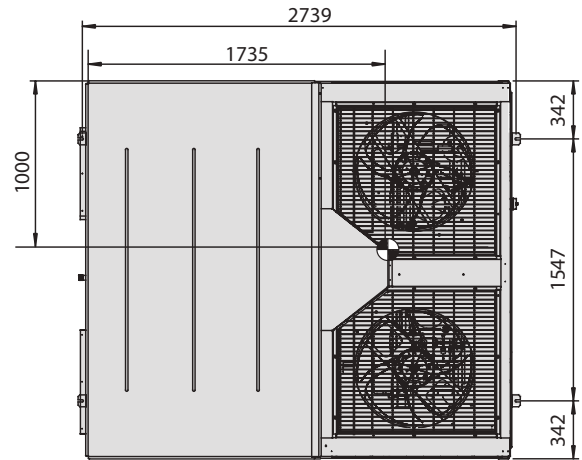
Tutte le dimensioni sono in mm



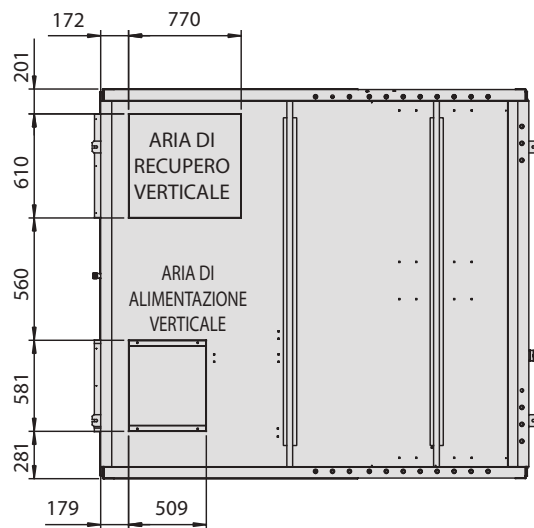
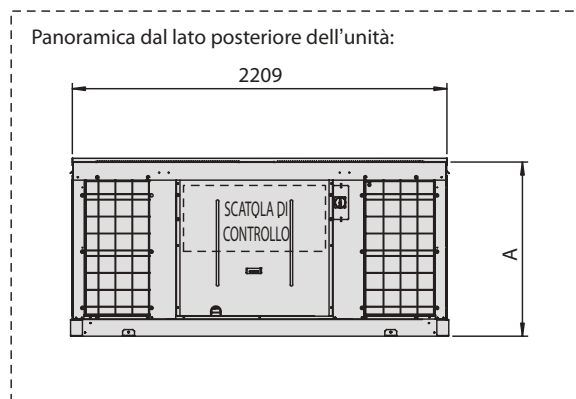
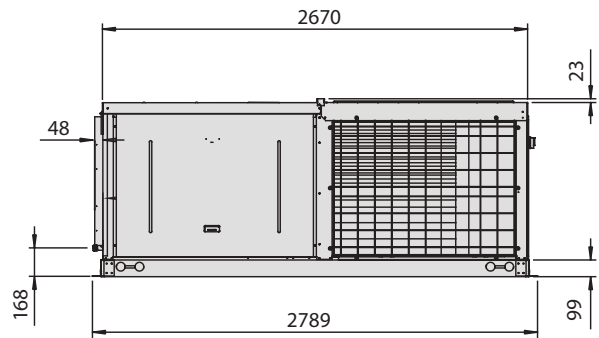
PER LO SCARICO ORIZZONTALE



PER LO SCARICO VERTICALE



PER LO SCARICO ORIZZONTALE

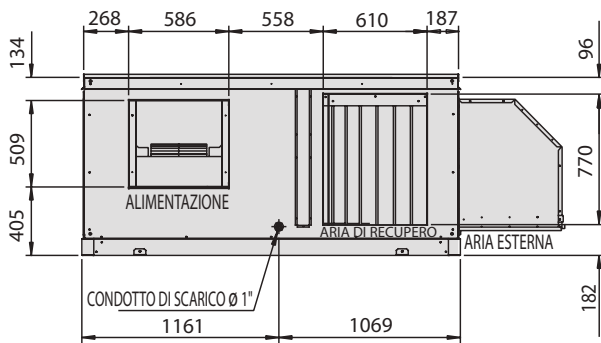
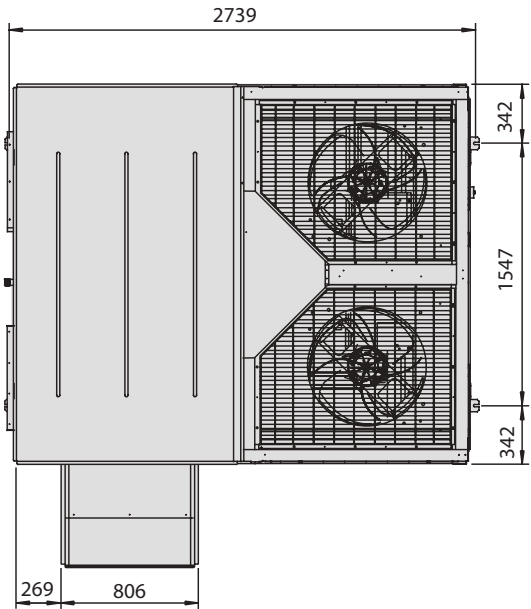


PER LO SCARICO VERTICALE

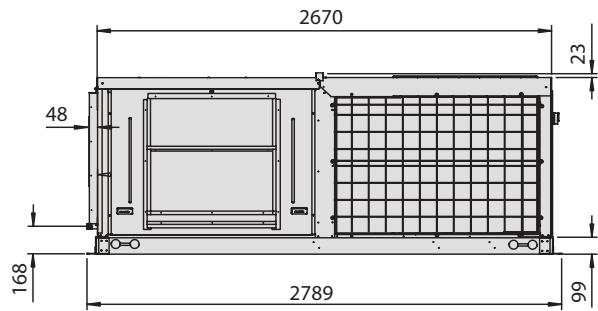
Modello (UATYQ)	550	600	700	900
A	1048	1302	1454	1454
B	770	770	1176	1176
C	182	322	182	182

Modello: UATYQ550 CON OPZIONE DELL'ECONOMIZZATORE

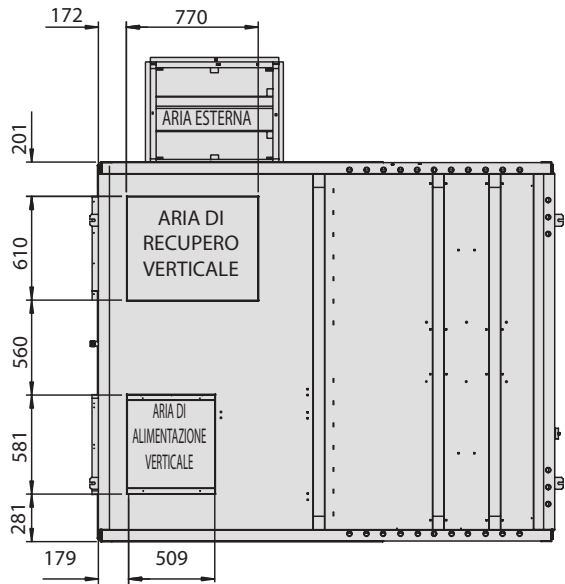
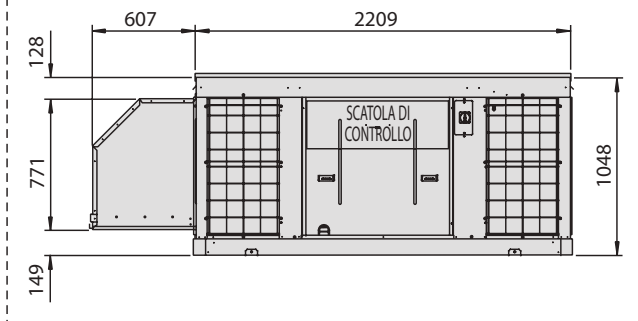
Tutte le dimensioni sono in mm



PER LO SCARICO ORIZZONTALE



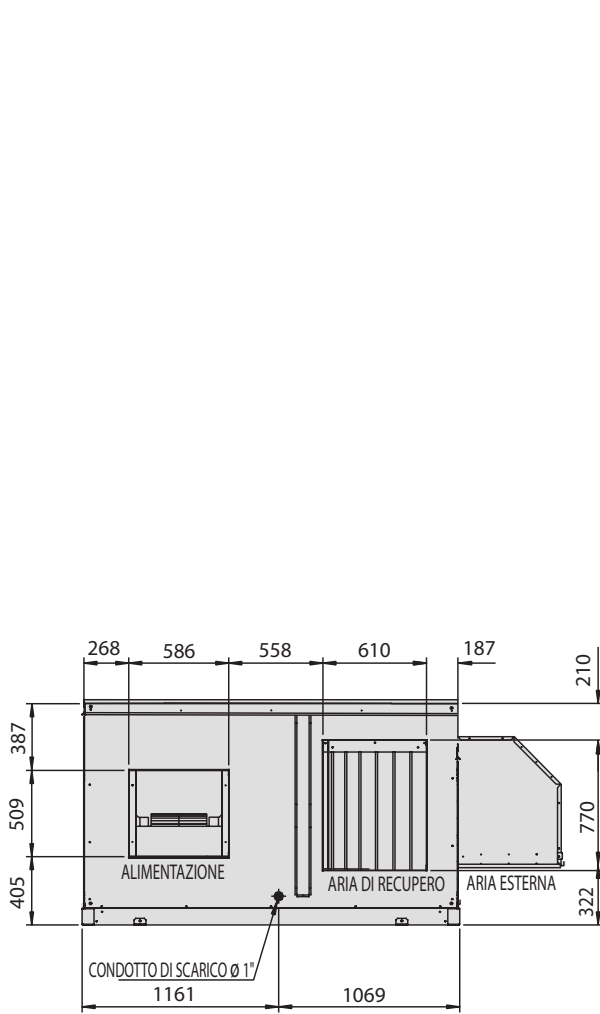
Panoramica dal lato posteriore dell'unità:



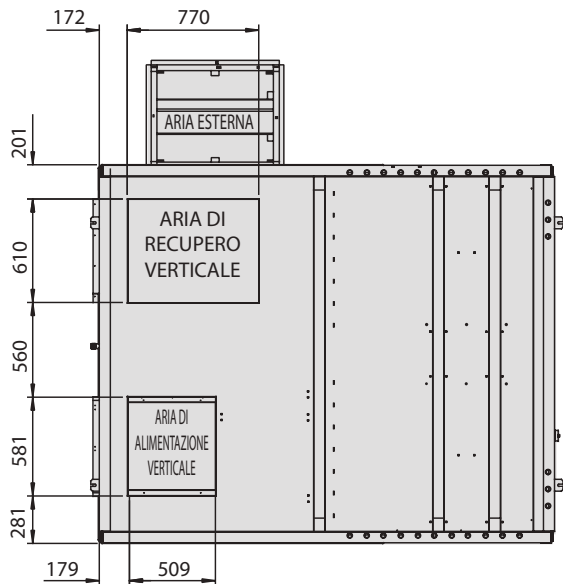
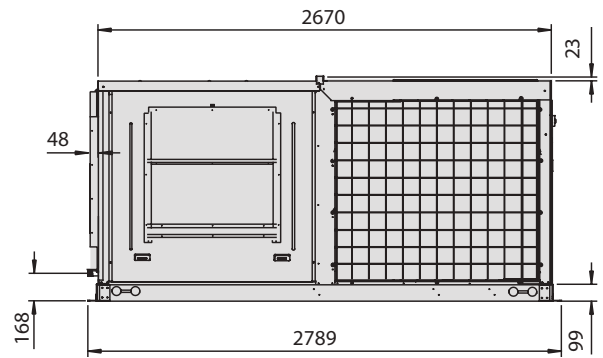
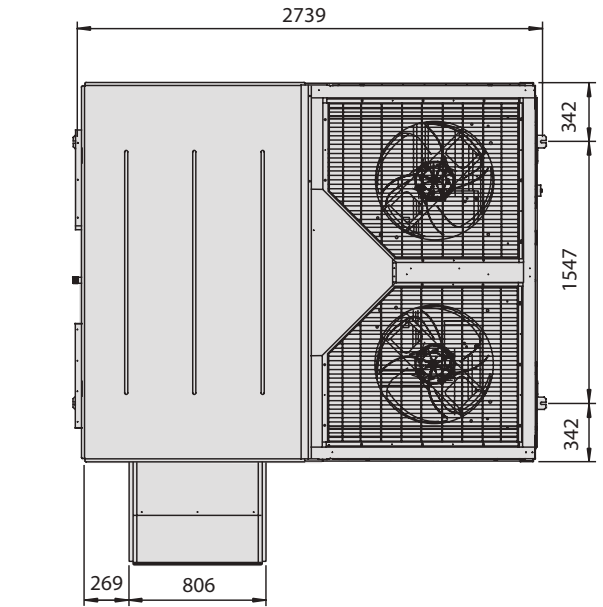
PER LO SCARICO VERTICALE

Modello: UATYQ600 CON OPZIONE DELL'ECONOMIZZATORE

Tutte le dimensioni sono in mm



PER LO SCARICO ORIZZONTALE

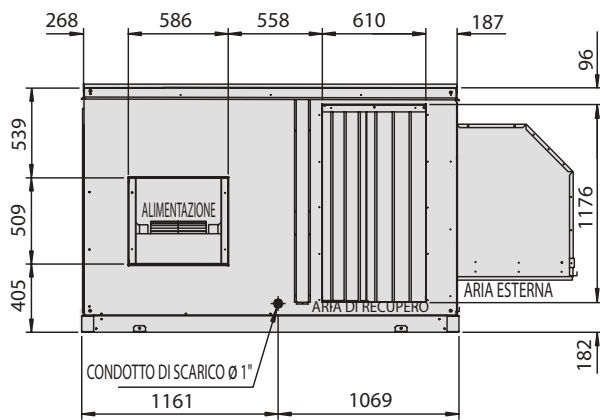
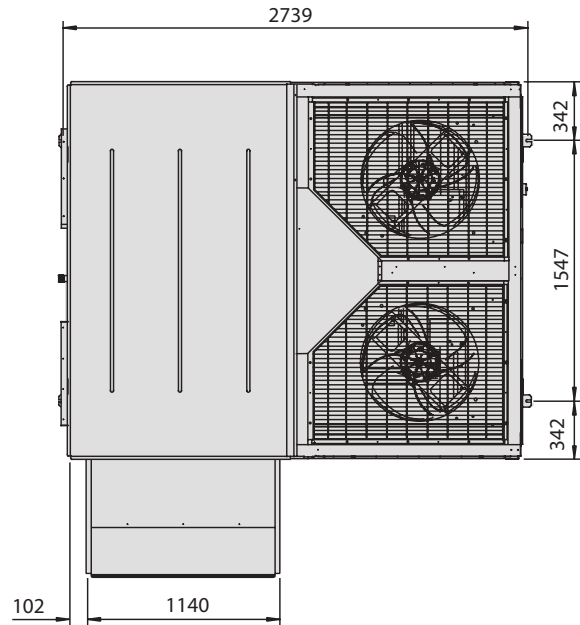


PER LO SCARICO VERTICALE

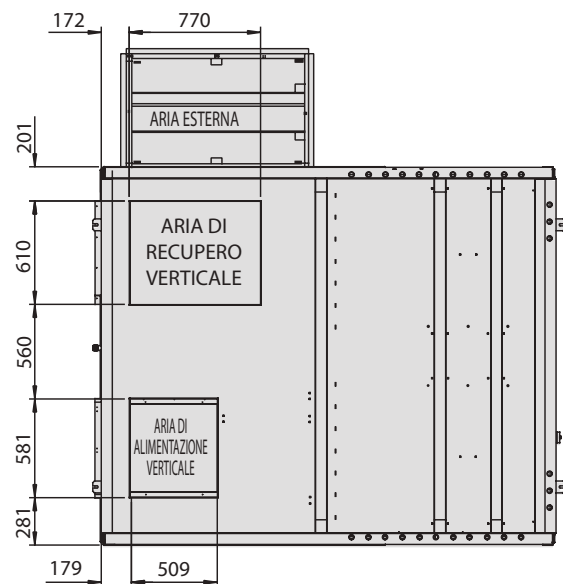
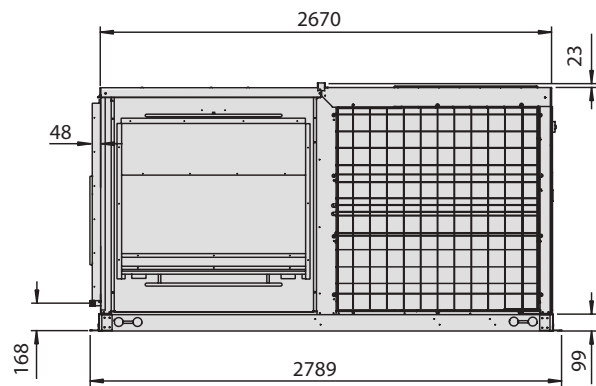
ITALIANO

Modello: UATYQ700 CON OPZIONE DELL'ECONOMIZZATORE

Tutte le dimensioni sono in mm



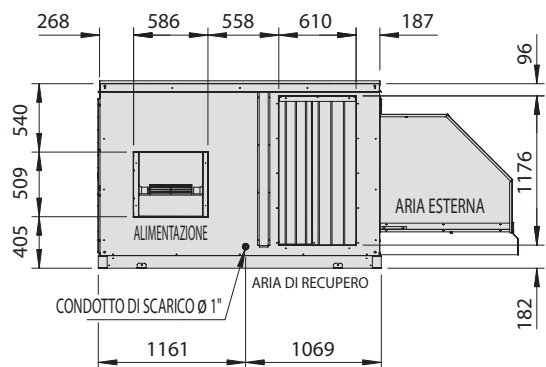
PER LO SCARICO ORIZZONTALE



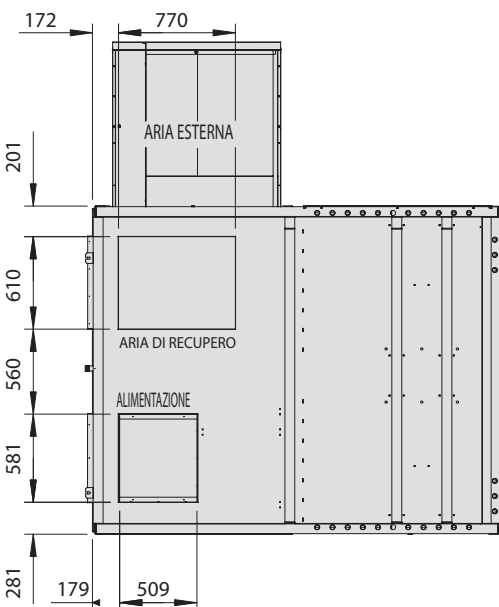
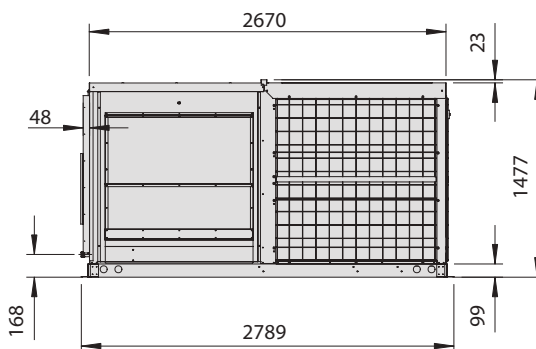
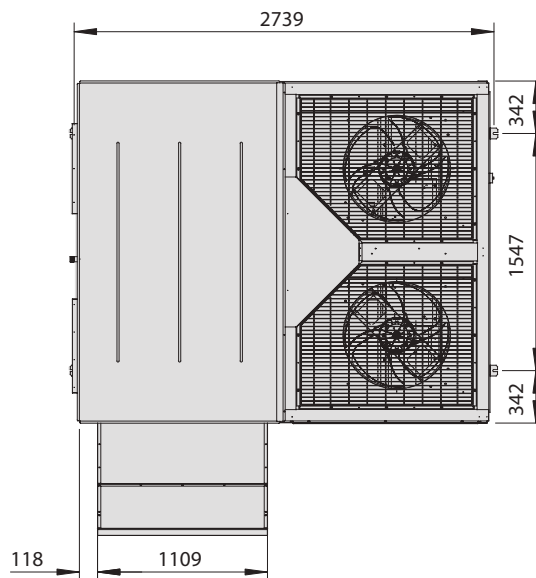
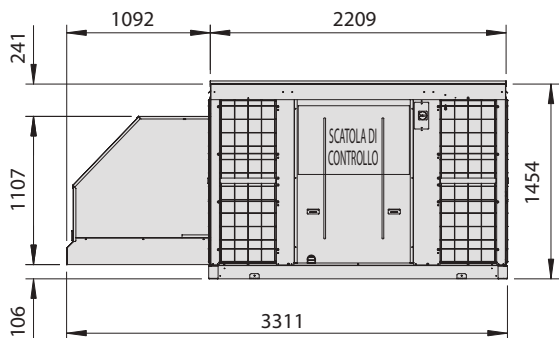
PER LO SCARICO VERTICALE

Modello: UATYQ900 CON OPZIONE DELL'ECONOMIZZATORE

Tutte le dimensioni sono in mm



PER LO SCARICO ORIZZONTALE



PER LO SCARICO VERTICALE

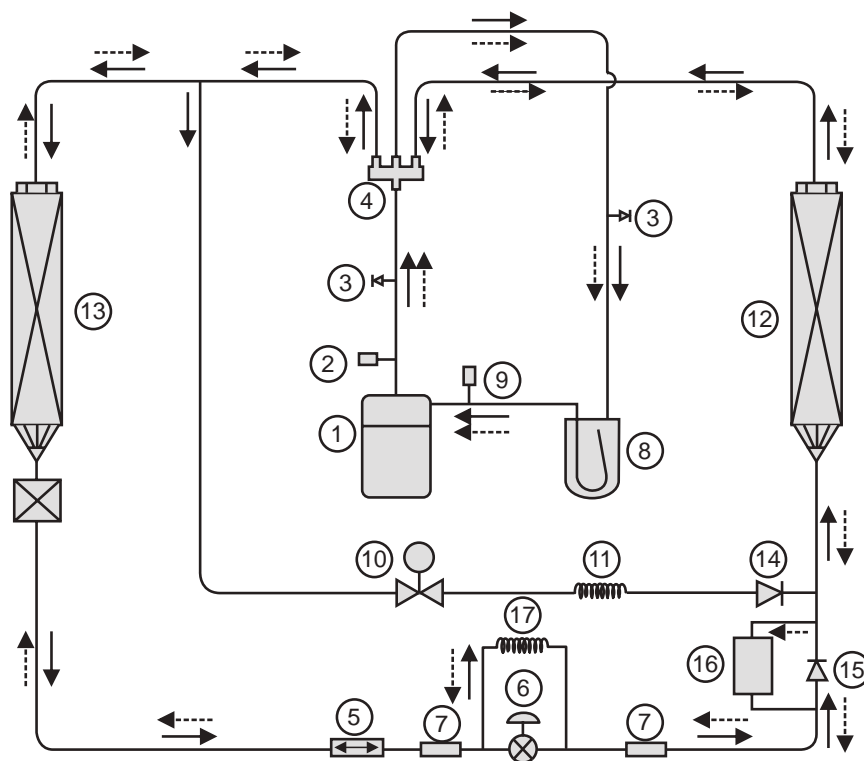
ITALIANO

DIAGRAMMI CIRCUITO REFRIGERANTE

Modello: UATYQ 250, 350, 450, 550, 600, 700 & 900

→	Funzione raffreddamento
←-----	Funzione riscaldamento

N.	Descrizione parte
①	Compressore
②	Interruttore Di Alta Pressione
③	Valvola di accesso
④	Valvola a 4 vie
⑤	Essiccatore a filtro
⑥	Valvola di espansione elettronica
⑦	Filtro
⑧	Accumulatore
⑨	Interruttore Di Bassa Pressione
⑩	Elettrovalvola
⑪	Tubo capillare di bypass
⑫	Scambiatore di calore interno
⑬	Scambiatore di calore esterno
⑭	Controllo valvola 1
⑮	Controllo valvola 2
⑯	Compensatore
⑰	Tubo Capillare



- Nota:**
- (a) UATYQ350, 450, 550, 600, 700 & 900 consiste di 2 circuiti nel sistema.
 - (b) I punti 15 e 16 sono applicabili solo per UATYQ350.
 - (c) I punti 17 sono applicabili solo per UATYQ700 & UATYQ900.

MANUALE D'INSTALLAZIONE

Il presente manuale descrive come procedere all'installazione del condizionatore per assicurarne il corretto funzionamento in condizioni di sicurezza. Degli adattamenti possono rivelarsi necessari per rispondere a particolari esigenze locali.

Prima di utilizzare il condizionatore, leggere attentamente le presenti istruzioni. Conservarle per ogni evenienza futura.

Questo apparecchio è destinato all'uso da parte di persone esperte o formate in negozi, nell'industria leggera o in aziende agricola o all'uso commerciale da parte di persone non addette.

Il presente apparecchio non è destinato all'uso da parte di persone, inclusi bambini, con ridotte capacità fisiche, sensoriali o mentali, o senza la dovuta esperienza e conoscenza, a meno che non vengano poste sotto la supervisione di una persona responsabile della loro sicurezza o che tale persona fornisca loro le istruzioni per l'uso dell'apparecchio.

Tenere i bambini sotto la supervisione di un adulto per evitare che giochino con l'apparecchio.

NORME DI SICUREZZA

IMPORTANTE

Informazioni importanti sul refrigerante utilizzato

Questo prodotto contiene gas fluorurati ad effetto serra. Non liberare tali gas nell'atmosfera.

Tipo di refrigerante: R410A

Valore GWP ⁽¹⁾: 2087,5

⁽¹⁾ GWP = potenziale di riscaldamento globale. La quantità di refrigerante è indicata sulla targhetta dati dell'unità. È possibile che siano necessarie ispezioni periodiche per controllare eventuali perdite di refrigerante secondo le normative locali e/o europee. Per informazioni più dettagliate, contattare il rivenditore locale.

NOTA

In Europa, si usano le **emissioni di gas a effetto serra** della carica totale di refrigerante nel sistema (espressa in tonnellate di CO₂ equivalente) per determinare gli intervalli di manutenzione. Seguire la legislazione vigente.

Formula per calcolare le emissioni di gas a effetto serra:

valore GWP del refrigerante × carica totale di refrigerante [in kg] / 1000



AVVERTENZA

- L'installazione e la manutenzione devono essere eseguite da personale qualificato, competente in questo genere di apparecchi e al corrente delle leggi e regolamenti in vigore.
- Tutti gli allacciamenti elettrici devono essere eseguiti conformemente alla regolamentazione elettrica in vigore.
- Prima di procedere agli allacciamenti secondo lo schema elettrico presentato più avanti, accertarsi che il voltaggio dell'apparecchio corrisponda a quello della rete.
- Dotare il condizionatore di una presa di TERRA al fine di prevenire i rischi originati da eventuali deficienze del sistema di isolamento.
- Evitare che i fili elettrici tocchino le tubazioni frigorifere o un qualsiasi organo rotante dei motori del ventilatore.
- Prima di installare il condizionatore o di procedere ad interventi di manutenzione, accertarsi che sia spento (OFF).
- Togliete sempre la corrente prima di effettuare la manutenzione del condizionatore.
- NON rimuovere il cavo di alimentazione quando il condizionatore è acceso. Questo può causare seri shock elettrici e pericolo d'incendio.
- Tenere le unità del condizionatore d'aria, il cavo di alimentazione e i cavi di trasmissione ad almeno 1 mt. di distanza da TV e radio al fine di evitare immagini distorte e staticità. (A seconda del tipo e sorgente di onde elettriche, si possono sentire scariche statiche anche a più di 1 m di distanza).
- L'apparecchio non è destinato all'uso in un ambiente dall'atmosfera potenzialmente esplosiva.



CAUTELA

Durante l'installazione, verificare accuratamente i punti seguenti.

- **Non procedere all'installazione in luoghi dove possano verificarsi fughe di gas.**



Pericolo d'incendio in caso di fughe o di concentrazioni di gas intorno al condizionatore.

- **Verificare che i condotti di drenaggio siano stati correttamente installati.**



Se le tubazioni di scarico non sono collegate correttamente, potrebbero verificarsi perdite d'acqua.

- **Non sovraccaricare il condizionatore.**



L'apparecchio è precaricato in fabbrica.

Qualsiasi sovraccarico provoca una sovracorrente e può danneggiare il compressore.

- **Dopo l'installazione o gli interventi di manutenzione accertarsi di rimettere a posto il pannello di chiusura.**



Una difettosa chiusura del pannello è causa di rumori durante il funzionamento.

- **I bordi affilati e le superfici della serpentina sono possibili aree che possono causare pericolo di lesioni. Evitare di entrare in contatto con tali aree.**

- **Prima di spegnere l'apparecchio, impostare l'interruttore ON/OFF del telecomando sulla posizione "OFF" in modo da evitare l'apertura nociva dell'unità.** In caso contrario, le ventole dell'unità iniziano a ruotare automaticamente quando si riaccende l'apparecchio, causando pericoli di lesioni al personale di servizio ed agli utenti.

- **Non utilizzare apparecchiature di riscaldamento nelle immediate vicinanze del condizionatore.**

- **Non usare cavi uniti o distorti per l'alimentazione in ingresso.**

Specifiche di smaltimento:

La demolizione dell'unità, nonché il recupero del refrigerante, dell'olio e di qualsiasi altra parte devono essere eseguiti in conformità alla legislazione vigente.

INSTALLAZIONE DELL'UNITÀ

A Luogo D'installazione

- Installare l'unità in modo che l'aria scaricata dalla stessa non possa essere aspirata di nuovo (come avverrebbe in caso di corto circuito dell'aria di scarico). Lasciare intorno all'unità uno spazio sufficiente per effettuarne la manutenzione.
- Quando si deve procedere all'installazione di due o più unità nel medesimo luogo, posizzarle in modo da evitare che l'aria di scarico dell'una possa essere aspirata dall'altra.
- Assicurarsi che non ci siano ostruzioni alla libera circolazione dell'aria all'interno ed all'esterno dell'unità. Rimuovere gli ostacoli che bloccano la presa o lo scarico dell'aria.
- Ben ventilato in modo che l'unità possa aspirare e distribuire una grande quantità d'aria.
- Si raccomanda di installare l'unità nei seguenti luoghi:-
 - Un luogo in grado di sostenere il peso dell'unità e di offrire isolamento da rumori e vibrazioni.
 - Un luogo con drenaggio adeguato.
 - Tale da evitare che l'unità possa essere ricoperta dalla neve.
 - Un punto in cui gli sbocchi di ingresso e uscita dell'aria non siano esposti a forte vento.
 - Tale da evitare che i rumori dell'aria in emissione come pure quelli dovuti al normale funzionamento possano recare disturbo ai vicini.
 - Un luogo non accessibile al pubblico generale.

Nota

- Per installare l'unità con il kit dell'economizzatore, seguire le raccomandazioni fornite nella sezione (B) (iii) del capitolo "ACCESSORI OPZIONALI" nel presente manuale.



CAUTELA

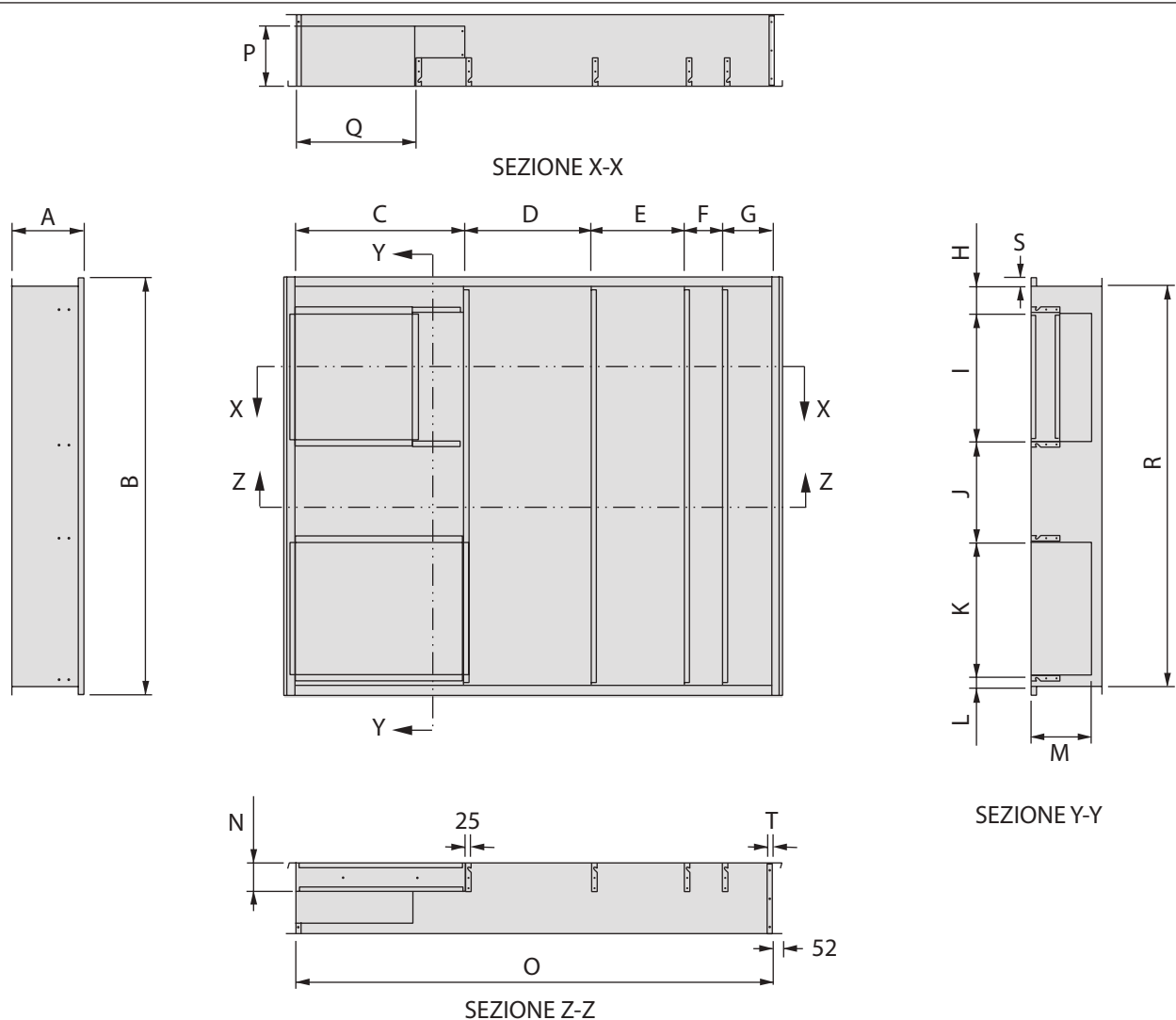
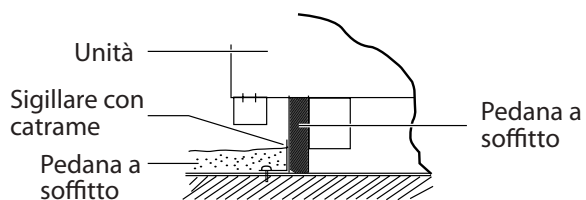
Non installare l'unità ad altitudini superiori a 2000 m.

B Costruzione del condotto

- L'unità dispone di bocchette di aria di alimentazione e di ritorno. Il collegamento tra il condotto e l'unità dovrebbe essere effettuato con flange per il condotto ed effettuato direttamente sulle aperture d'aria con connettori del condotto flessibili in modo da evitare la normale trasmissione del rumore.
- Per prevenire la perdita di aria, tutte le giunture del condotto dovrebbero essere sigillate.
- I condotti negli spazi senza il passaggio di aria condizionata devono essere isolati.
- I condotti esposti all'ambiente esterno devono essere protetti dagli agenti atmosferici.
- Per i condotti che accedono all'edificio dal soffitto, l'entrata deve essere sigillata con guarnizione di tenuta per evitare pioggia, sabbia, polvere, ecc. entrino nell'edificio.
- La dimensione corretta del filtro deve essere installata sul condotto dell'aria di ritorno.

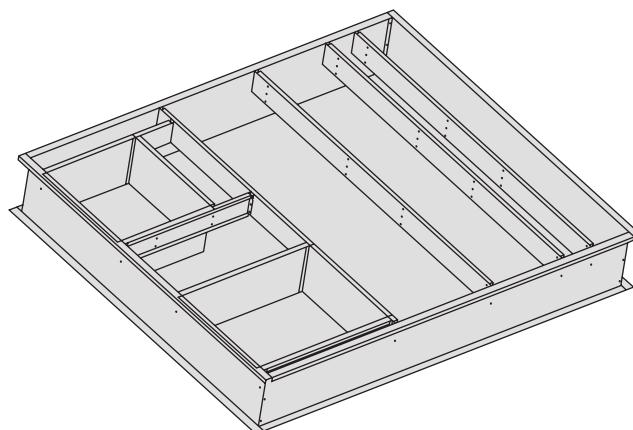
C Supporto unità (Solo per l'unità a gettito verso il basso)

- La figura mostra l'uso della struttura di tenuta a soffitto per il montaggio di queste unità.
- Tale struttura dovrebbe essere sigillata e fissata al soffitto da una guarnizione di tenuta. Un mezzo suggerito per la guarnizione dell'unità e la struttura di tenuta a soffitto come mostrato a destra.
- Le dimensioni della struttura di tenuta raccomandate sono mostrate di seguito.



Modello (UATYQ)	250	350/450	550/600/700/900
A	355	355	355
B	1506	2081	2081
C	840	700	840
D	315	410	625
E	315	410	462
F	0	0	190
G	314	287	248
H	0	131	131
I	607	600	646
J	322	544	495
K	540	682	676
L	0	42	51
M	300	300	300
N	141	141	141
O	1784	1807	2365
P	300	300	300
Q	481	477	590
R	1469	1998	1998
S	20	41,5	41,5
T	20	41,5	41,5

Nota: Tutte le dimensioni sono in mm

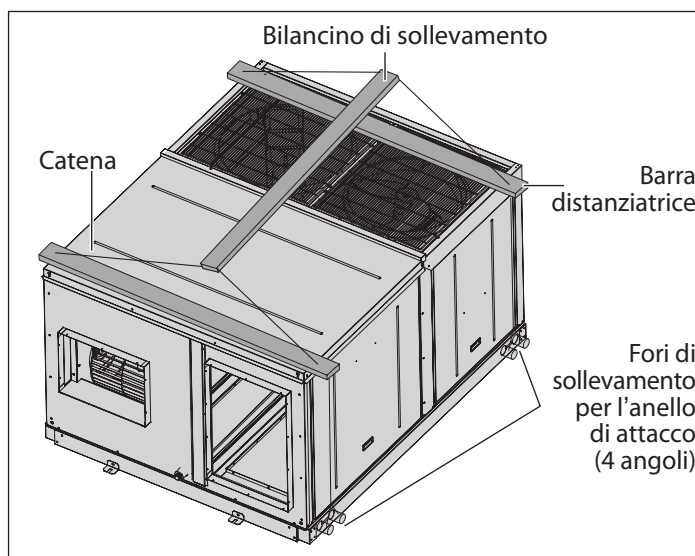


D Sollevamento dell'unità

- I fori nei 4 angoli della base dell'unità sono usati a scopo di sollevamento dell'unità.
- La barra distanziatrice deve essere leggermente più larga della larghezza dell'unità.
- Il materiale di isolamento deve essere aggiunto ai 4 angoli della catena per evitare danni al pannello durante il sollevamento.

Nota

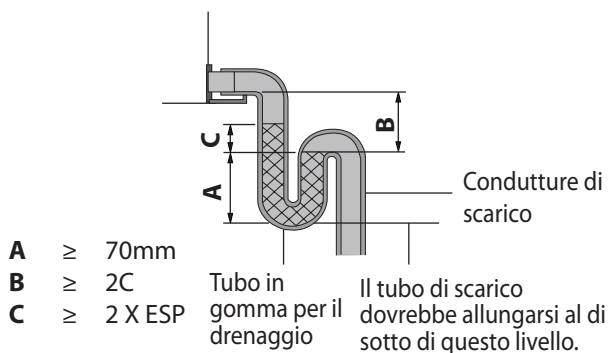
- L'unità mostrata nel diagramma è UATYQ250.
- Ad altri modelli è applicato lo stesso metodo di sollevamento.



E Condutture di scarico

- È fornito l'accessorio per lo scarico condensato A 1" MPT. La conduttura di scarico può essere fatta uscire sul lato anteriore.
- La conduttura di scarico deve essere fornita con un tubo in gomma nella parte esterna dell'unità e deve essere inoltre installata in posizione inclinata per un drenaggio corretto, come mostrato a destra.
- Per evitare la formazione di condensa e per evitare perdite, inserire nella conduttura del materiale di isolamento per salvaguardare l'unità dal gocciolamento.
- Al termine del lavoro relativo alle condutture, controllare che non ci siano perdite e che l'acqua venga scaricata correttamente.

Le condutture di scarico dovrebbero avere un tubo in gomma di drenaggio.



Nota

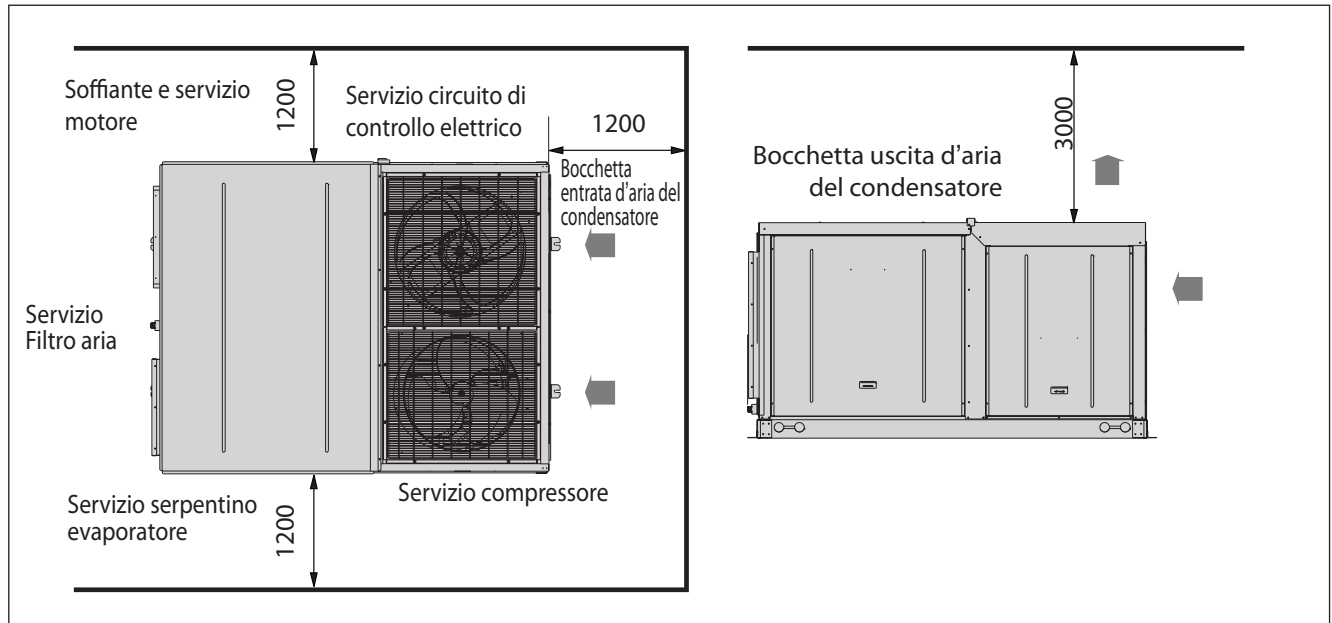
- ESP = Pressione Statica Esterna

Tubo di scarico in gomma per la condensa

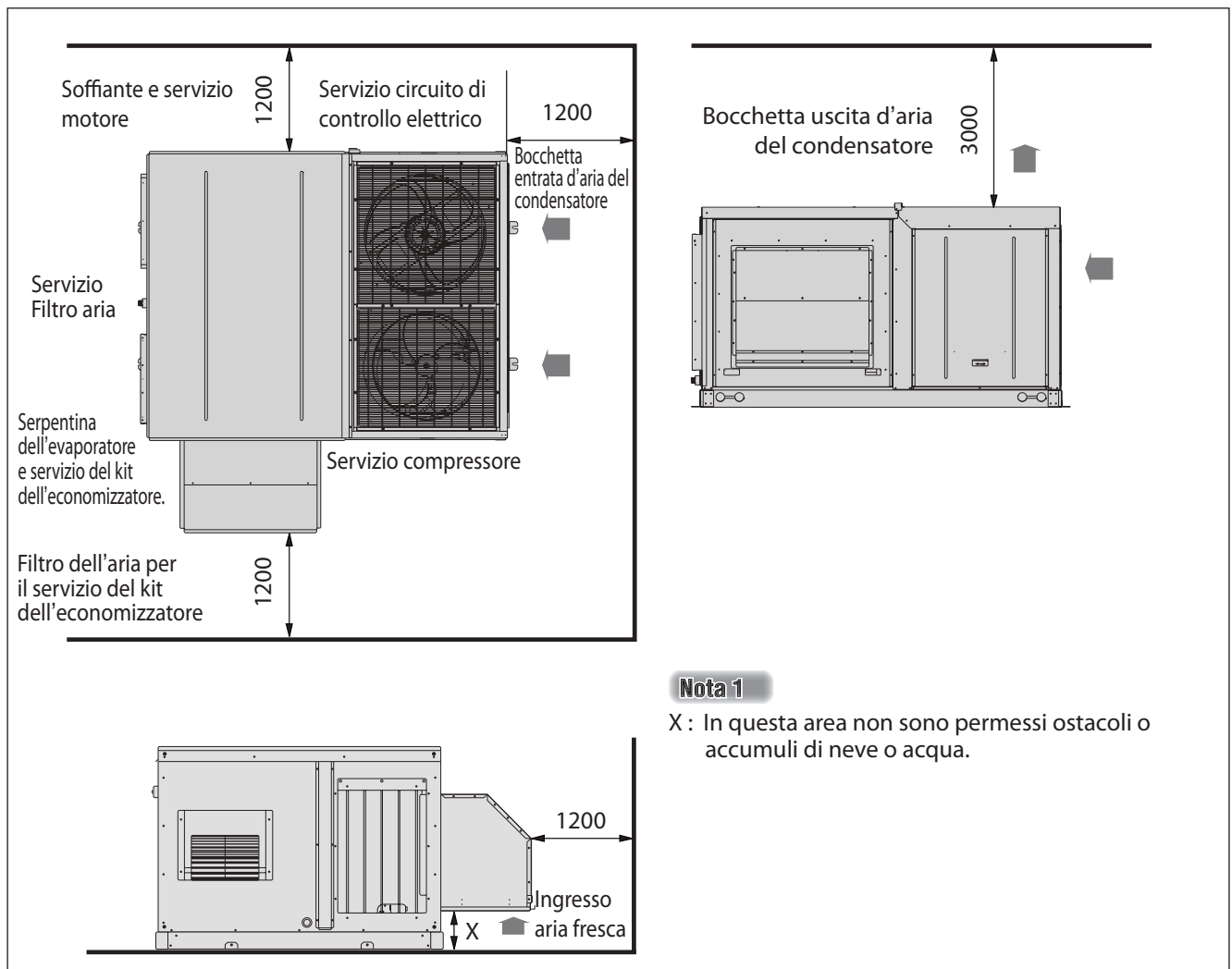
F Spazio necessario intorno all'unità

Per lo spazio necessario intorno all'unità, fare riferimento al diagramma di cui sotto. Da notare che:-

- Tutte le dimensioni mostrate sono in mm.
- Tutti i valori relativi allo spazio riguardano lo spazio **libero minimo** richiesto per l'unità.
- L'unità mostrata nel diagramma è UATYQ250. Ad altri modelli è attribuito lo stesso spazio libero.

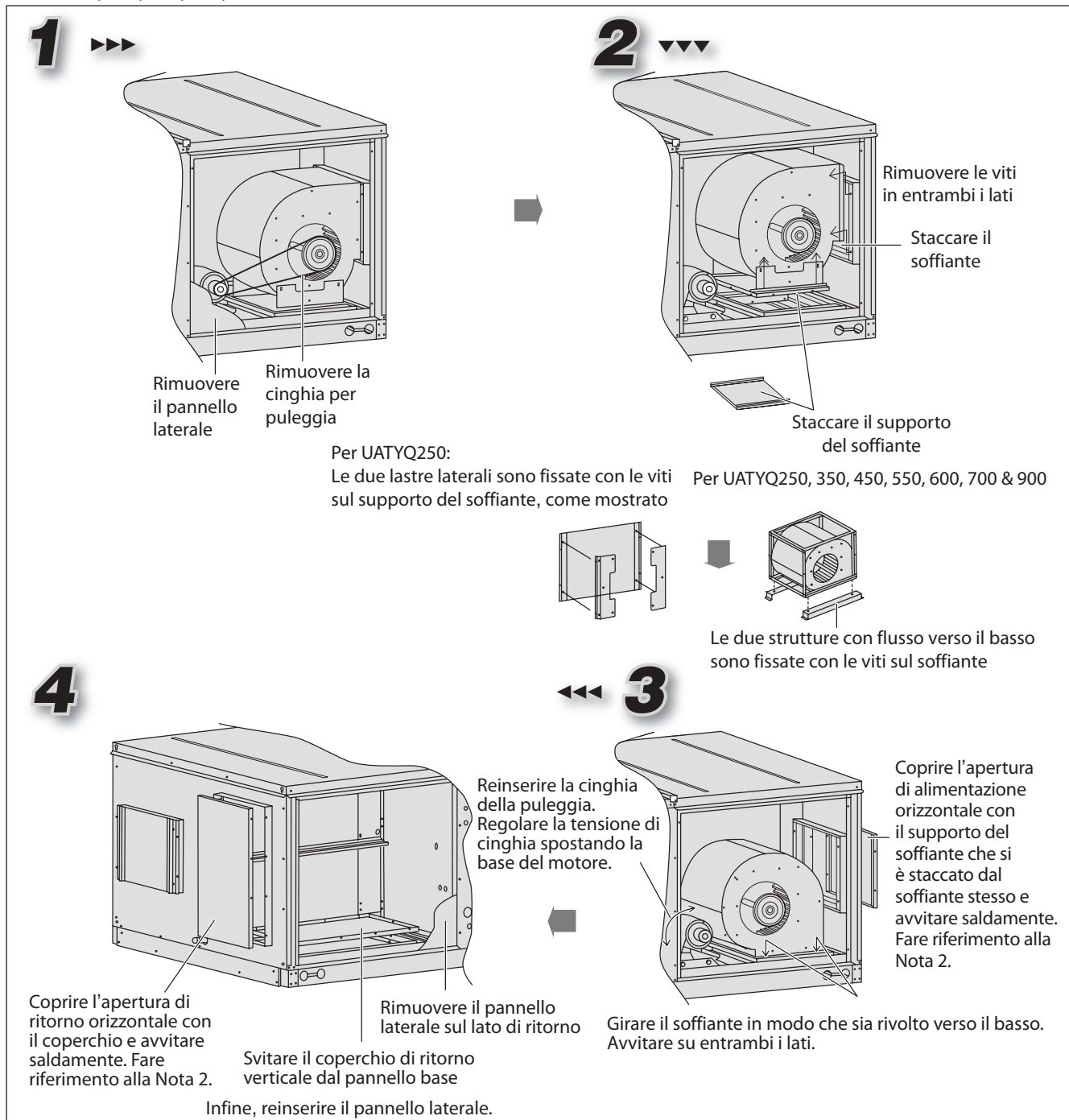


Spazio aggiuntivo o maggiore distanza sono richiesti quando si installa il kit dell'economizzatore. Ogni volta che l'unità è equipaggiata con il kit dell'economizzatore, lo spazio necessario intorno all'unità con kit dell'economizzatore deve seguire il diagramma di cui sotto:-



G Conversione unità

Nel caso della conversione di un'unità standard in un'unità con flusso inverso, seguire i passi illustrati di seguito:
UATYQ250, 350, 450, 550, 600, 700 & 900



Reinserire la cinghia della puleggia. Regolare la tensione della cinghia. Infine, reinserire il pannello laterale. Fare riferimento alla Nota 1.

Nota 1

Per la conversione del flusso inverso, la lunghezza della cinghia deve essere cambiata.
 Per le unità con una puleggia standard, la lunghezza della cinghia = a mm
 Distanza da pilastro a pilastro per il flusso inverso, C-C = b mm

	UATYQ250	UATYQ350	UATYQ450	UATYQ550	UATYQ600	UATYQ700	UATYQ900
a	1432	1457	1382	1500	1500	1500	1500
b	425	430	345	420	420	440	445

Nota 2

Del materiale sigillante, come la guarnizione (fornitura di campo), deve essere posizionato tra il coperchio metallico e la flangia. Oltre a ciò, del silicone resistente alle intemperie del tempo deve essere applicato su tutti i giunti, i fori delle viti e gli spazi per assicurare la massima condizione di tenuta stagna.

Nota 3

Fare riferimento al Registro dei Dati Tecnici per la curva della bocchetta e i dati tecnici della puleggia con larghezza variabile.

DATI FISICI

Pompa di riscaldamento (R410A)

Modello		UATYQ250	UATYQ350	UATYQ450	UATYQ550	UATYQ600	UATYQ700	UATYQ900
Refrigerante		R410A						
Carico del refrigerante	kg	6,1	5,8/5,8	7,2/7,2	8,7/8,7	10,4/10,4	11,6/11,6	11,6/11,6
Flusso aria evaporatore	CFM	3300	4300	5650	6700	7300	8300	9600
	L/S	1557	2029	2667	3162	3445	3917	4531
Pressione statica esterna	mmAq	15			21			
	Pa	147			206			
Flusso aria condensatore	CFM	8230	6000/6000	6050/6050	6450/6450	10100/10100	10600/10600	10600/10600
	L/S	3884	2831/2831	2855/2855	3044/3044	4767/4767	5003/5003	5003/5003
Controllo		Il controllo su cavo sul tetto						
Lunghezza fili di controllo (Standard/Max) : Dimensioni	m : mm ²	15 / 100 : 3						
Compressore (Tipo/Quantità)		Scroll/1	Scroll/2	Scroll/2	Scroll/2	Scroll/2	Scroll/2	Scroll/2
Filtro aria (Tipo/Quantità)		Saranet lavabile/2						
Dimensioni filtro aria (Lunghezza x Larghezza x Spessore)	mm	880 x 467 x 4	1126 x 385 x 4	1126 x 435 x 4	1497 x 392 x 4	1497 x 495 x 4	1497 x 595 x 4	1497 x 595 x 4

DATI ELETTRICI

Pompa di riscaldamento (R410A)

Modello		UATYQ250	UATYQ350	UATYQ450	UATYQ550	UATYQ600	UATYQ700	UATYQ900
Alimentazione Elettrica	V/Ph/Hz	380-415/3N~/50						
Corrente continua massima (Comp)	A	26	17/17	19/19	26/26	28/28	29/29	40,0/40,0
Corrente elettrica di pieno carico (FLA, Comp)	A	21	12/12	15/15	21/21	22/22	25/25	34,0/34,0
Corrente a rotore bloccato (LRA, Comp)	A	111	74/74	101/101	111/111	118/118	118/118	174,0/174,0

Questo apparecchio soddisfa i requisiti di EN 61000-3-11 ed è soggetto a connessione condizionale alla rete elettrica. Può essere collegato dopo aver consultato l'autorità preposta all'alimentazione. L'apparecchio può essere collegato all'alimentazione di rete colata con un'impedenza dell'impianto non inferiore al valore indicato nella tabella che segue. L'impedenza dell'impianto al punto di interfaccia si può ottenere dall'autorità preposta all'alimentazione.

Modello	Impedenza massima (Z_{max}), ohm
UATYQ250	0,22
UATYQ350	0,23
UATYQ450	0,21
UATYQ550	0,21
UATYQ600	0,21
UATYQ700	0,21
UATYQ900	0,20

Se l'alimentazione di rete ha impedenza dell'impianto maggiore, possono presentarsi delle cadute di tensione quando l'apparecchio viene avviato o durante il funzionamento. Questo può influenzare o disturbare il funzionamento di altri dispositivi per esempio luci lampeggianti, specialmente se collegati alla stessa rete di alimentazione.

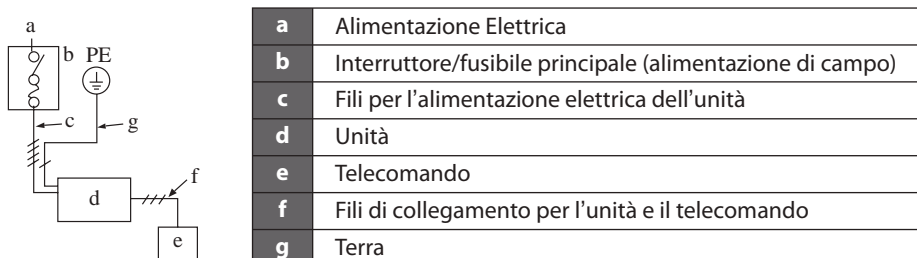
ALLACCIAMENTI ELETTRICI

- Atutto il lavoro per il sistema elettrico deve essere eseguito da un elettricista qualificato e deve rispettare i requisiti di fornitura locali e la legislazione ad essi associata.

Metodo per collegare i fili elettrici

Prima di collegare i fili, consultare l'azienda per la fornitura di energia elettrica di competenza.

1. L'intero diagramma del sistema elettrico dell'unità



2. Collegamento elettrico dell'unità

Fa passare i fili per l'alimentazione di corrente e il cavo di controllo attraverso i fori semitranciati o i fori dei cavi sull'unità.

Rimuovere i pannelli di servizio e collegare i cavi dell'alimentazione elettrica delle unità al blocco terminale all'interno della scatola di controllo, come mostrato.

Usare i lacci cavo sganciabili a spinta posizionati sulla base della scatola di controllo per tenere correttamente i fili elettrici di alimentazione della corrente.

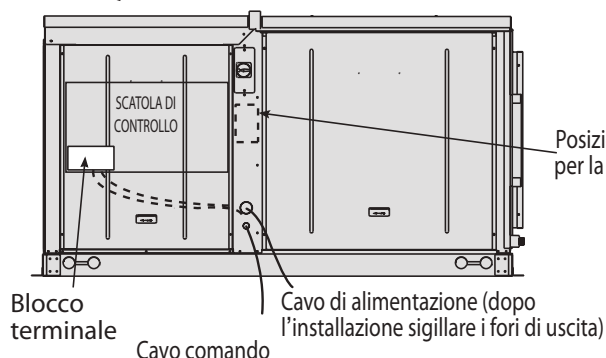
Nota

Mentre si installa l'interruttore di circuito sull'unità, assicurarsi che le viti non danneggino i componenti (ad es. serpentina) all'interno dell'unità.

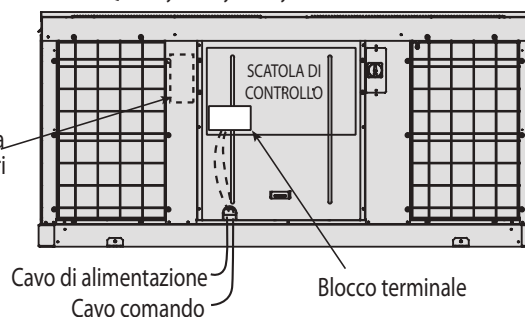
La scatola interruttori può inoltre essere installata senza fissarla all'unità.

I fori di uscita sono disponibili sono UATYQ250; UATYQ350, UATYQ450, UATYQ550, UATYQ600, UATYQ700 & UATYQ900 è dotato di un foro per il cavo di alimentazione.

UATYQ250



UATYQ350, 450, 550, 600 & 700 & 900



Esempio di cablaggio e Selezione dell'Interruttore di Circuito

Modello	Cavo di alimentazione (mm ²)	Capacità interruttore(A)	Interruttore di protezione da sovracorrente (A)	Cavo da messa a terra (mm ²)
UATYQ250	4	32	32	4
UATYQ350	6	40	40	6
UATYQ450	10	40	40	10
UATYQ550	10	50	50	10
UATYQ600	16	63	63	16
UATYQ700	25	80	80	25
UATYQ900	35	100	100	35

Nota

Essendo presente una separazione di contatto su tutti i poli, un interruttore principale o altri strumenti per lo scollegamento deve essere integrato ai cavi elettrici fissi adeguandosi alla normativa locale e nazionale.

- L'unità deve essere cablata direttamente su un quadro di distribuzione elettrica attraverso un interruttore di circuito (opzione preferita) o tramite un fusibile HRC.
- Installare l'insieme di cavi per l'alimentazione elettrica per controllare il modulo. Collegare i cavi di controllo per comandare il blocco terminale dal foro della scatola di controllo.
- Deve essere effettuata la messa a terra dei fili.
- Il cavo per la fornitura di corrente deve corrispondere a H07RN-F, cioè il requisito minimo previsto, e deve essere usato in un tubo protettivo.
- Tutti i poli devono essere scollegati nella rete di alimentazione, con una separazione di contatto di almeno 3 mm.



AVVERTENZA

- Prima di lavorare in questa unità, isolarla dalla corrente elettrica.
- I fili elettrici su questa unità e sul telecomando devono essere installati secondo i requisiti appropriati dettati dal codice sulle installazioni elettriche locali.

Quando si esegue il cablaggio del blocco terminale, leggere le note di cui sotto. Precauzioni da adottare per il cablaggio dell'alimentazione elettrica.

(Usare un terminale rotondo piegato per collegare il blocco terminale. In caso non possa essere usato per motivi imprescindibili, assicurarsi di osservare le seguenti istruzioni.)

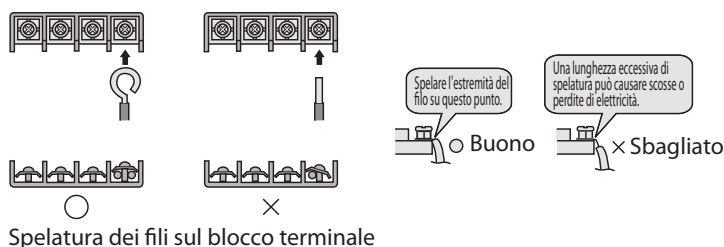
Terminale
rotondo piegato



CAUTELA

Quando si procede al collegamento tra i cavi di connessione e il blocco terminale con un filo a un singolo conduttore, accertarsi di eseguire l'arricciatura del filo.

I problemi nelle operazioni di lavoro possono causare calore e incendi.



- Tirare il filo e assicurarsi che non si scolleghi. Quindi fissare al suo posto il filo con un ferma filo.

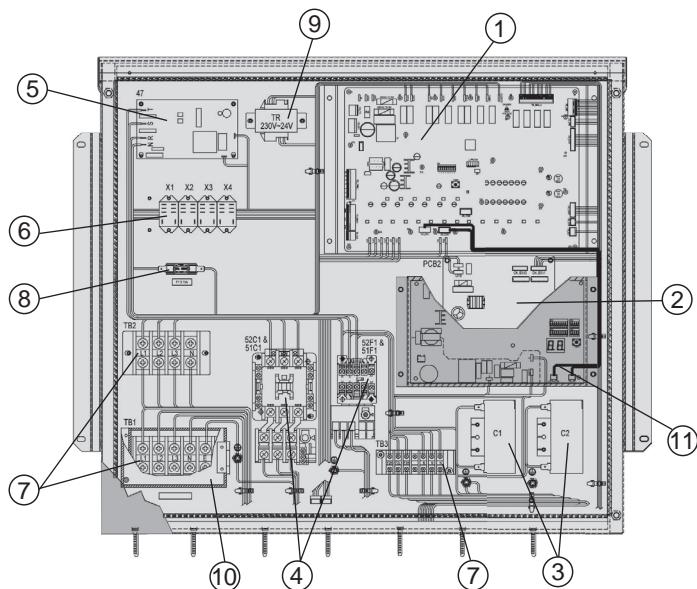


AVVERTENZA

- I cavi di trasmissione devono essere collegati ad almeno 50mm di distanza dal cavo di alimentazione.
- I cavi di trasmissione devono essere schermati.

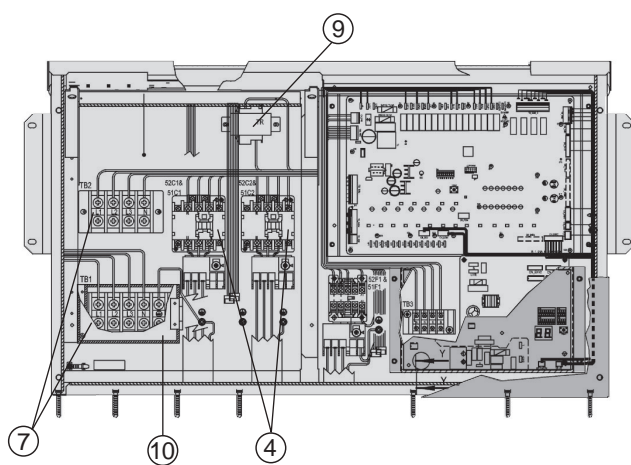
La disposizione dei blocchi terminali e dei componenti del telecomando è mostrata di seguito:

A Modulo di controllo UATYQ250

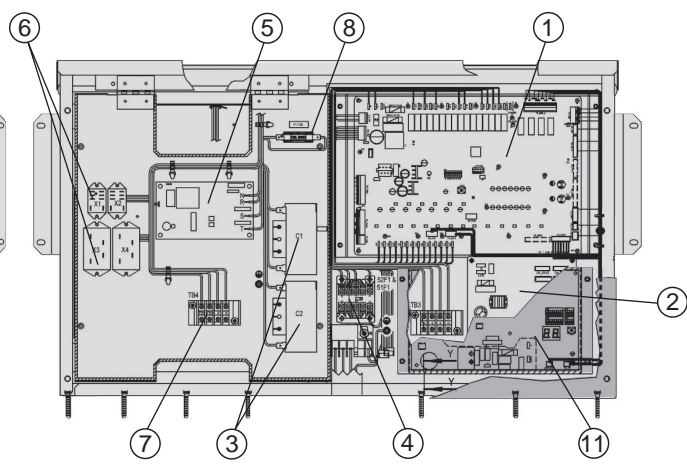


N.	Descrizione parte
①	Scheda principale di controllo
②	Scheda di controllo EXV
③	Condensatore
④	Contattore
⑤	Protezione Di Fase
⑥	Relè
⑦	Blocco Terminale
⑧	Fusibile
⑨	Trasformatore
⑩	Coperchio del Blocco Terminale
⑪	Scheda di controllo Economizzatore

B Modulo di controllo UATYQ350/450/550

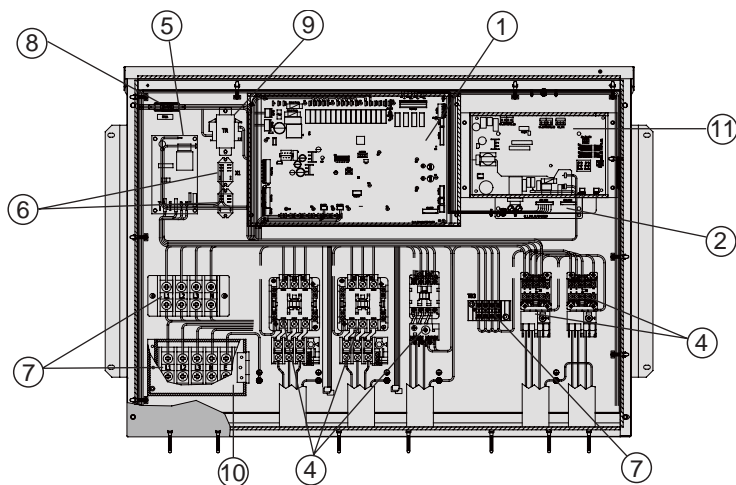


(Strato inferiore)



(Strato superiore)

C Modulo di controllo UATYQ600/700/900



⚠ AVVERTENZA

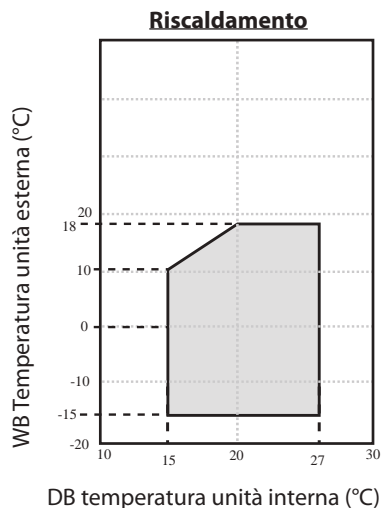
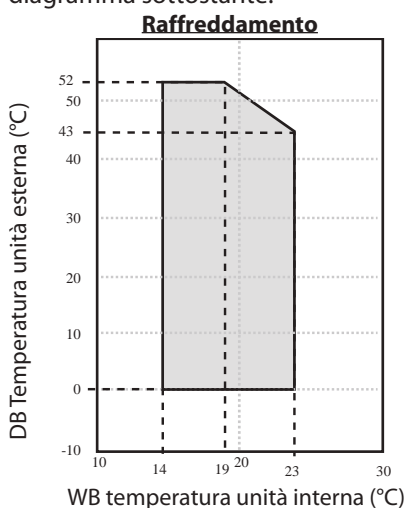
A meno che l'interruttore di alimentazione principale è spento, la morsetteria (TB1) rimarrà vivo quando il sezionatore è spento.

Nota

Articolo 11 (Scheda di controllo economizzatore) da usare assieme al kit economizzatore fornito separatamente come accessorio.

RANGE DI FUNZIONAMENTO

Assicurarsi che la temperatura di funzionamento rientri nei limiti del range previsto, secondo quanto illustrato nel diagramma sottostante:



CAUTELA

L'uso dell'aria condizionata al di fuori del range della temperatura e dell'umidità di funzionamento può risultare in un grave guasto.

Nota

Fare riferimento alla Gamma Operativa dell'unità con l'opzione dell'economizzatore nella sezione (E)(vi) del capitolo "ACCESSORI OPZIONALI".

DB = Termometro asciutto

WB = Termometro bagnato

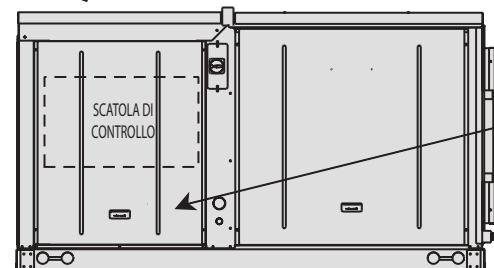
GUIDA OPERATIVA DI CONTROLLO

L'unità dispone di una scheda principale di controllo e un telecomando a filo è collegato a tale scheda principale. Tutte le impostazioni dell'unità sono predefinite dal fabbricante. Si raccomanda di non modificare questa impostazione, se non necessario o indicato in precedenza.

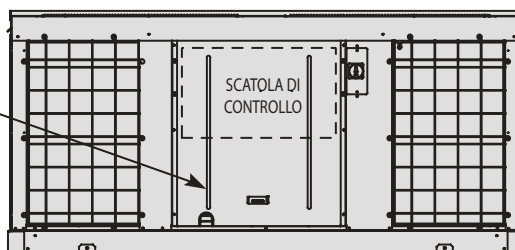
a) Posizione del telecomando

Il telecomando è situato su un supporto metallico dietro il pannello di servizio. È inserito nella confezione del manuale di installazione.

UATYQ250



UATYQ350, 450, 550, 600, 700 & 900



b) Display LED (Scheda principale di controllo)

La spia LED lampeggerà quando si accende l'unità.

c) Display LCD (Telecomando)

Durante il normale funzionamento, lo schermo LCD visualizza lo stato di acceso/spento del compressore, la modalità, la temperatura impostata e così via. Fare riferimento al Manuale Operativo per avere i dettagli delle istruzioni operative. All'accensione, lo schermo LCD visualizzerà la schermata principale. Quando si verifica un cattivo funzionamento, un messaggio a finestra apparirà sullo schermo LCD con la retroilluminazione lampeggiante e un suono tipo "bip".

d) Configurazioni opzionali

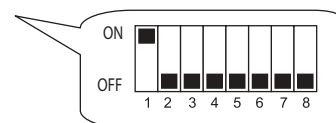
La scheda principale di controllo può essere usata come interfaccia del controllo del termostato e del sistema BMS.

(i) Controllo del termostato (TB_THM-I)

- Per usare questo comando, impostare la Posizione del Dip Switch: SW1-ON (predefinito è OFF).
- Seguire il metodo sottostante per le entrate del controllo del termostato:

G	Y1	Y2	W1	W2	Modalità	Funzione
0	0	0	0	0	-	Unità spenta
1	0	0	0	0	Ventola	Ventola interna attiva
X	1	0	X	X	Raffreddamento	1 fase compressore
X	1	1	X	X	Raffreddamento	2 fase compressore
X	0	X	1	0	Pompa di riscaldamento/Riscaldatore	1 fase compressore
X	0	X	1	1	Pompa di riscaldamento/Riscaldatore	2 fase compressore

Nota : X = Non richiede attenzione.



- Per i suggerimenti sull'installazione, fare riferimento alla tabella di cui sotto:

Entrata	Voltaggi nominali	Corrente nominale	Misura fili
G	24V CA	5mA	AWG18~22
Y1			
Y2			
W1			
W2			

Nota

- Quando la scheda principale di controllo è configurata per il controllo del termostato, il telecomando è utilizzato solo a scopo di monitoraggio.
- L'unità deve essere riavviata (spegnimento e accensione) ogni volta che l'impostazione dell'interruttore dip viene modificata.

(ii) Controllo BMS (TB_BMS-I)

- Per usare questo comando, impostare il Dip Switch: SW3 – ON (predefinito è OFF) e il parametro del pannello G8 su '1' (predefinito è '0').

Nota

- G8 = Tipo di comando
0 = Pannello
1 = BMS
2 = DEC
- Per TB_BMS-I, ci sono 3 opzioni di comando: unità accesa/spento; modalità operativa (freddo-0/caldo-1); e il valore di impostazione (4~20mA).
- Per i suggerimenti sull'installazione, fare riferimento alla tabella di cui sotto:



Entrata TB_BMS-I	Voltaggi nominali	Corrente nominale	Misura fili
Acceso/Spento	24V CA	5mA	AWG18~22
Modalità operativa	24V CA	5mA	
Punto di funzionamento freddo/caldo	-	4~20mA	

Nota

- Quando la scheda principale di controllo è configurata per il controllo del BMS, il telecomando è utilizzato solo a scopo di monitoraggio.
- L'unità deve essere riavviata (spegnimento e accensione) ogni volta che l'impostazione dell'interruttore dip viene modificata.

(iii) Uscita contatto secco (TB_BMS-O)

- Per TB_BMS-O, ci sono 4 uscite di monitoraggio: avviso di errore; uscita1; uscita2; e segnale di sbrinamento.
- Per i suggerimenti sull'installazione, fare riferimento alla tabella di cui sotto:

Entrata TB_BMS-O	Voltaggi nominali	Corrente nominale (A)	Misura fili
Uscita allarme (AL)	230V CA/125V CA/30V CC	1/3/3	AWG18~22
Uscita1 (O1)	230V CA/125V CA/30V CC	2/3/3	
Uscita2 (O2)	230V CA/125V CA/30V CC	3/3/3	
Segnale di sbrinamento (DFRT)	230V CA/125V CA/30V CC	4/3/3	

- I segnali di uscita varieranno in base alla configurazione della scheda principale del dispositivo di controllo, indipendentemente che si tratti del controllo del termostato o del controllo BMS.

(1) Per il controllo del termostato, le uscite sono indicate come mostrato nella tabella sottostante.

Ingresso termostato (SW1-ON)					ERRORE	SBRINAMENTO	Uscita allarme	Uscita1	Uscita2	Segnale di sbrinamento
G	Y1	Y2	W1	W2			(AL)	(O1)	(O2)	(DFRT)
0	0	0	0	0	X	X	X	0	0	X
1	0	0	0	0	X	X	X	0	1	X
X	1	0	X	X	X	X	X	1	0	X
X	1	1	X	X	X	X	X	1	0	X
X	0	X	1	0	X	X	X	1	1	X
X	0	X	1	1	X	X	X	1	1	X
X	X	X	X	X	1	X	1	X	X	X
X	X	X	X	X	X	1	X	X	X	1

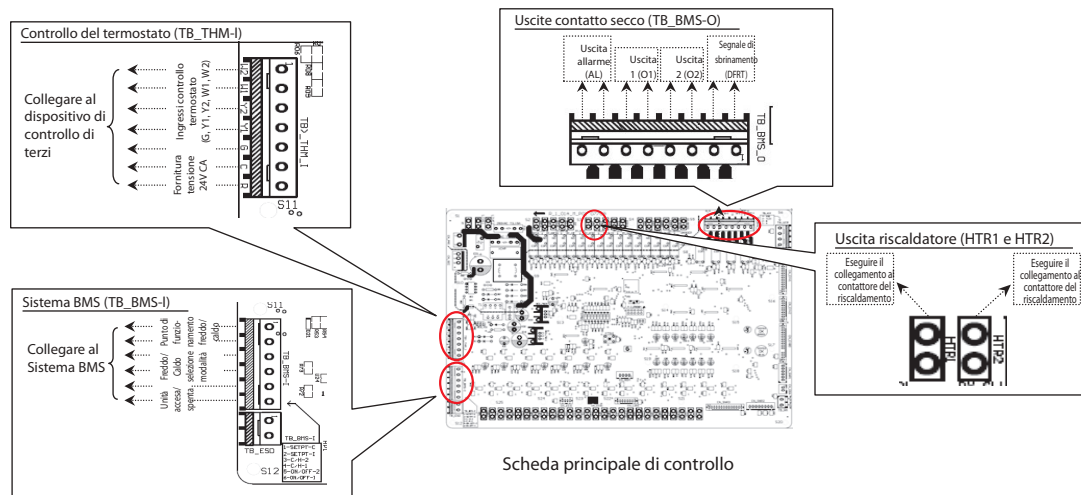
Nota : X = Non richiede attenzione.

(2) Per il controllo BMS, le uscite sono indicate come mostrato nella tabella sottostante.

Ingresso termostato (SW3-ON)			ERRORE	SBRINAMENTO	Uscita allarme	Uscita1	Uscita2	Segnale di sbrinamento
ACCESO/SPENTO	MODALITÀ OPERATIVA	FREDDO/CALDO IMPOSTAZIONE DI FUNZIONAMENTO			(AL)	(O1)	(O2)	(DFRT)
0	0	X	X	X	X	0	0	X
0	1	X	X	X	X	0	1	X
1	0	X	X	X	X	1	0	X
1	1	X	X	X	X	1	1	X
X	X	X	1	X	1	X	X	X
X	X	X	X	1	X	X	X	1

Nota : X = Non richiede attenzione.

Il seguente diagramma mostra la posizione dei blocchi terminali sulla scheda di controllo usata per il controllo del termostato e il sistema BMS. Oltre a questo, sono mostrati anche gli spinotti di uscita per il riscaldatore elettrico ausiliario.



(iv) Uscita Riscaldatore Elettrico Ausiliario (HTR1 e HTR2)

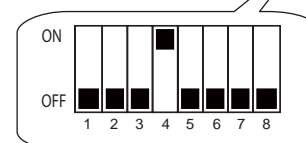
- Ci sono due spinotti di uscita (HTR1 e HTR2) sulla scheda principale di controllo, utilizzati per dare energia al contattore del riscaldatore. Il contattore deve essere selezionato in modo appropriato per evitare qualsiasi problema/i legato/i alla sicurezza.
- Il riscaldatore deve essere installato rispettando la normativa locale e nazionale. Esso deve essere conforme alla normativa EN60335-2-40.
- Il fusibile/i deve/ devono essere installato/i sul riscaldatore per eliminare la possibilità di qualsiasi pericolo o danno al riscaldatore/unità. Ciò risulta particolarmente cruciale quando si verifica un guasto alla scheda principale di controllo o al soffiante.
- Il riscaldatore deve trovarsi in un luogo sicuro, dove non ci sono rischi di danneggiamento all'unità.
- Usare un condotto non infiammabile per l'unità installata con il riscaldatore.
- Usare un'alimentazione di corrente diversa per il riscaldatore elettrico e installare un interruttore di circuito per ciascun riscaldatore.
- La temperatura massima nell'unità non deve superare 60°C. La rilevazione della temperatura deve avvenire durante l'installazione o la messa in opera al fine di garantire che la temperatura non superi questo valore.
- Di conseguenza, selezionare il dispositivo di sicurezza o di protezione termale corretto.
- Il riscaldatore non deve mai essere installato all'interno dell'unità. Il luogo raccomandato per il riscaldatore è all'interno del condotto di alimentazione, dove la distanza del riscaldatore è tale da assicurare che la temperatura all'interno dell'unità non ecceda 60°C.

(v) Controllo dell'economizzatore

- Assicurarsi che il kit dell'economizzatore sia stato incorporato con il tetto prima di attivare la funzione dell'economizzatore sulla scheda principale di controllo. Diversamente, si verificherà un errore.
- Per attivare la funzione dell'economizzatore, impostare la Posizione del Dip Switch: SW4 - ON (predefinito è su OFF) nella scheda principale del dispositivo di controllo e il paramentro sul pannello G6 su '1' (predefinito è '0').

Nota

G6 = Controllo dell'economizzatore
 0 = disattivazione
 1 = attivazione.



- Nella scheda del dispositivo di controllo dell'economizzatore, sono presenti 4 dip switch e 3 ponticelli di derivazione che forniscono una selezione flessibile sulla base di diversi requisiti:
 - Dip Switch 1: Posizione di apertura minima dell'aria fresca in modalità di riscaldamento, nella quale, attraverso la selezione di pin differenti, si potrà ottenere una posizione di aperta diversa. SW1: 5%, SW2: 10%, SW3: 15%, SW4: 20%, SW5: 25%, SW6/7/8: nessuna funzione, Predefinito: 0% (nessuna selezione, tutto su OFF).
 - Dip Switch 2: Posizione di apertura minima dell'aria fresca in modalità di raffreddamento, nella quale, attraverso la selezione di pin differenti, si potrà ottenere una posizione di aperta diversa. SW1: 0%, SW2: 5%, SW3: 15%, SW4: 20%, SW5: 25%, SW6/7/8: nessuna funzione, Predefinito: 10% (nessuna selezione, tutto su OFF).
 - Dip Switch 3: Selezione del valore di soglia per il livello del CO₂ PPM, in cui la scelta di pin differenti permette di ottenere una impostazione di valore diversa. SW1: 25%, SW2: 50%, SW3: 75%, SW4: 100%, Predefinito: 0% (nessuna selezione, tutto su OFF).
 - Dip Switch 4: Tipo di funzionamento, comprensivo della seguente selezione:-
 - SW1: OFF = Funzionamento della temperature differenziale (predefinito), ON = Nessun funzionamento in questo momento.
 - SW2: OFF = Modalità dell'economizzatore (predefinito), ON = Modalità aria fresca.
 - SW3: OFF = Protezione da raffreddamento eccessivo è attivata (predefinito), ON = Protezione da raffreddamento eccessivo non è attivata.

Ponticello di derivazione 1, 2 e 3: Posizione di apertura minima dell'aria fresca in modalità di ventilazione, nella quale, attraverso la selezione di pin differenti, si potrà ottenere una posizione di aperta diversa. Definire il ponticello di derivazione 1 = JP1, il ponticello di derivazione 2 = JP2 e il ponticello di derivazione 3 = JP3; fare riferimento alla tabella di cui sotto per la selezione di aperture dell'aria fresca differenti:

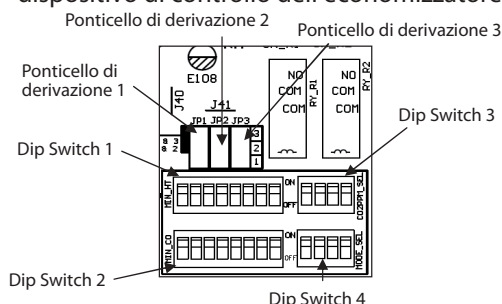
Apertura dell'aria fresca (%)	JP1	JP2	JP3
0 (predefinito)	OFF	OFF	OFF
10	OFF	OFF	ON
20	OFF	ON	OFF
30	OFF	ON	ON
40	ON	OFF	OFF
50	ON	OFF	ON
70	ON	ON	OFF
85	ON	ON	ON

Legenda: OFF = Pin 2 e pin 3 in corto
ON = Pin 1 e pin 2 in corto

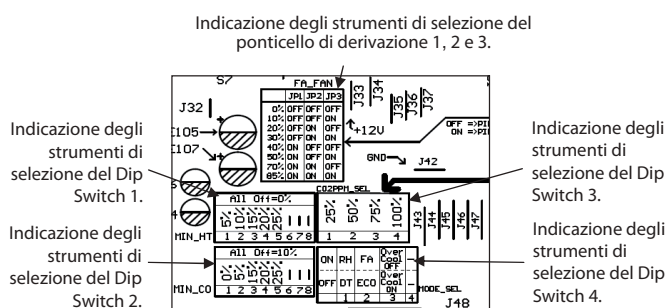


Dip Switch 1, 2 e 3 permettono di selezionare solamente 1 pin. La selezione di molteplici pin causerà un errore e la funzione ritornerà alla posizione predefinita. Invece il Dip Switch 4 consente la selezione di multipli pin.

Individuazione dei dip switch e dei ponticelli di derivazione nella scheda del dispositivo di controllo dell'economizzatore:



Indicazione sulla scheda del dispositivo di controllo dell'economizzatore:

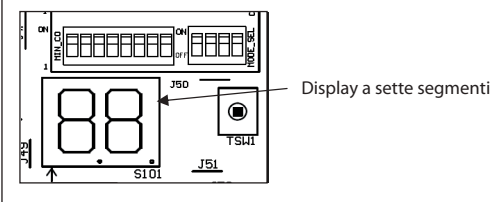


- Sulla scheda del dispositivo di controllo dell'economizzatore sono presenti due spie LED, una spia LED verde e una spia LED rossa. La spia LED verde lampeggerà quando la scheda del dispositivo di controllo dell'economizzatore è alimentata dalla corrente. La spia LED rossa lampeggerà quando si verifica un errore o più errori. Fare riferimento alla tabella di cui sotto per i codici di errore e il loro significato:-

Codice errore	Guasto
F0	Attuatore dell'aria fresca difettoso/ malfunzionamento
F1	Attuatore dell'aria di ritorno difettoso/ malfunzionamento
F2	Errore di comunicazione (perdita di dati)
F3	Sensore CO ₂ in corto
F4	Sensore CO ₂ aperto
F5	Sensore RH dell'aria fresca in corto
F6	Sensore RH dell'aria fresca aperto
F7	Sensore RH dell'aria di ritorno in corto
F8	Sensore RH dell'aria di ritorno aperto
F9	Attivazione della protezione dell'attuatore
FA	Selezione di pin multipli nel Dip Switch 1, 2 o 3

Nota

I codici di errore saranno visualizzati sul display a sette segmenti della scheda del dispositivo di controllo dell'economizzatore.



Nota

Quando si verifica un errore o più errori e i guasti sono ancora presenti, chiamare il rivenditore / tecnico autorizzato di zona per la risoluzione del problema. Tuttavia, tutti gli errori che si verificano nella scheda del dispositivo di controllo dell'economizzatore non influenzeranno il normale funzionamento dell'unità a tetto.

PULIZIA E MANUTENZIONE

Nota è valida per la Turchia solo: la durata dei nostri prodotti è di dieci (10) anni

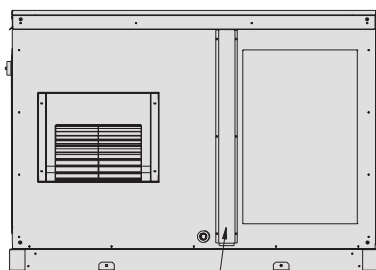
MANUTENZIONE DEL FILTRO

- Togliere la polvere dal filtro usando un'aspirapolvere o lavarlo in acqua tiepida (sotto ai 40°C) con detersivo neutro.
- Sciacquare bene e asciugare il filtro prima di rimetterlo nell'unità.
- Non usare mai benzina o prodotti chimici per pulire il filtro.
- Pulire il filtro almeno due volte al mese. O più spesso, se necessario.

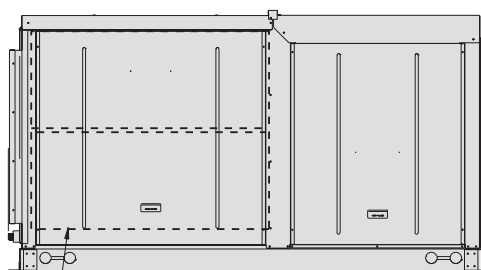
Posizione filtro

I filtri sono installati davanti allo scambiatore di calore interno.

L'unità mostrata nel diagramma è UATYQ250. Altri modelli seguono lo stesso metodo.

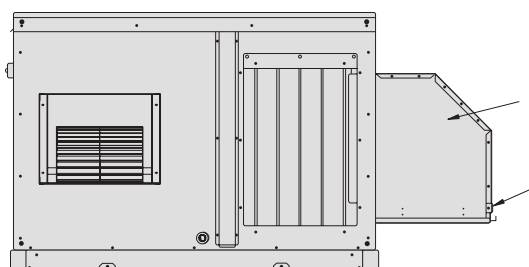


Rimuovere il coperchio del filtro per effettuare la manutenzione del filtro stesso.



In alternativa, rimuovere il pannello laterale per permettere la manutenzione del filtro.

Per l'unità installata insieme al kit dell'economizzatore, è presente un filtro aggiuntivo montato sul lato inferiore del parapioggia. L'unità mostrata nel diagramma è UATYQ250 + kit economizzatore (installata sul campo). Altri modelli seguono lo stesso metodo.



Parapioggia (installato sul campo)

Rimuovere il coperchio del filtro sul parapioggia per permettere la manutenzione del filtro.



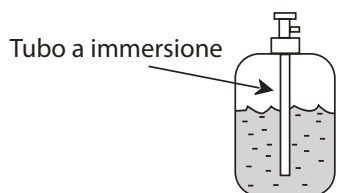
CAUTELA

Al termine della manutenzione, assicurarsi che il filtro sia posizionato correttamente e che il coperchio del filtro sia agganciato saldamente con le viti per evitare la perdita di acqua. Se necessario, deve essere applicato un sigillante resistente alle intemperie al fine di garantire una finitura impermeabile sul coperchio del filtro e il parapioggia.

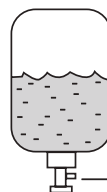
SPURGO E RICARICA

Le unità a cassa per il soffitto sono precaricate nello stabilimento di produzione con sufficiente refrigerante. Tuttavia, ci potrebbe essere la necessità di un ripristino della carica durante i lavori di manutenzione. Pertanto, si devono adottare alcune precauzioni per garantire il funzionamento ottimale e privo di problemi del sistema:

- (i) Il sistema deve essere completamente aspirato per assicurare che non ci sia gas non compatto o umidità nel sistema.
- (ii) Usare esclusivamente una pompa di aspirazione per l'R410A. Usando la stessa pompa di aspirazione per refrigeranti diversi si possono causare danni alla pompa o all'unità.
- (iii) Il refrigerante non deve mai essere rilasciato direttamente nell'ambiente.
- (iv) Quando si carica l'R410A, accertarsi che ad essere prelevato dalla bombola o dal contenitore di metallo sia solamente il liquido.



Tubo a immersione



Cilindro invertito senza il tubo a immersione

Prelevamento del liquido

Normalmente la bombola o il contenitore di metallo del R410A è munita di un tubo a sifone per il travaso del liquido. Tuttavia, se il tubo a sifone non è disponibile, girare la bombola o il contenitore di metallo in modo da travasare il liquido dalla valvola sul fondo.



CAUTELA

- Il refrigerante R410A deve essere caricato in forma liquida. Normalmente la bombola del R410A è munita di un tubo a sifone per il travaso del liquido. Se non ci fosse un tubo a sifone, la bombola dovrebbe essere capovolta per travasare il liquido R410A dalla valvola.
- Non rabboccare mentre si sta riparando una perdita, perché potrebbe ridurre la prestazione dell'apparecchio. Vuotare completamente l'apparecchio e poi caricare nuovo refrigerante R410A rispettando la quantità indicata nelle specifiche.

GUASTI E RIPARAZIONI

Per richieste di pezzi di ricambio contattare il rivenditore autorizzato. Non appena si nota che il condizionatore funziona male, controllare le situazioni e le cause di guasto riportate di seguito in modo da ottenere alcuni semplici suggerimenti sulla risoluzione dei problemi.

Problema	Origine	Intervento
L'unità non si avvia.	<ul style="list-style-type: none"> ● Interruzione di corrente. ● Fusibile bruciato o interruttore di circuito scattato. ● Fase di cablaggio dell'alimentazione di corrente incorretta. 	<ul style="list-style-type: none"> ▶ ● Premere [ON/OFF] dopo il ripristino della corrente. ▶ ● Sostituire il fusibile o reimpostare l'interruttore di circuito. ▶ ● Modificare la fase di cablaggio.
Il compressore non funziona dopo che l'unità è stata accesa da 3 min.	<ul style="list-style-type: none"> ● Protezione contro gli avvii riavvicinati. 	<ul style="list-style-type: none"> ▶ ● Attendere 3 min per l'avvio del compressore.
Il flusso dell'aria è debole.	<ul style="list-style-type: none"> ● Il filtro è pieno di polvere e sporco. ● Qualcosa ostruisce l'entrata o l'uscita dell'aria sulle unità. 	<ul style="list-style-type: none"> ▶ ● Pulire il filtro. ▶ ● Rimuovere gli ostacoli.
Il compressore funziona continuamente.	<ul style="list-style-type: none"> ● Filtro dell'aria sporco. ● La temperatura impostata è troppo bassa (per il raffreddamento). ● La temperatura impostata è troppo alta (per il riscaldamento). 	<ul style="list-style-type: none"> ▶ ● Pulire il filtro dell'aria. ▶ ● Reimpostare la temperatura.
Non esce aria fredda durante il ciclo di raffreddamento oppure non esce aria calda durante il ciclo di riscaldamento.	<ul style="list-style-type: none"> ● La temperatura impostata è troppo alta (per il raffreddamento). ● La temperatura impostata è troppo bassa (per il riscaldamento). 	<ul style="list-style-type: none"> ▶ ● Impostare una temperatura più bassa. ▶ ● Impostare una temperatura più alta.
Nel ciclo di riscaldamento, non esce aria (UATYQ250). Oppure l'aria che esce non è sufficientemente calda (UATYQ350/450/550/600/700/900).	<ul style="list-style-type: none"> ● L'unità opera il ciclo di sbrinamento. 	<ul style="list-style-type: none"> ▶ ● Attendere per un po. (Sarà ripresa dopo lo sbrinamento.)

Se il guasto persiste, rivolgersi al servizio di assistenza autorizzato.

KIT DELL'ECONOMIZZATORE

A Introduzione

Il kit dell'economizzatore è un accessorio fornito dal produttore, tuttavia richiede un'installazione in campo. Il kit dell'economizzatore è compatibile con i modelli a tetto R410A. Se non si è sicuri se questo kit possa essere usato con la propria specifica unità, contattare la divisione di servizio autorizzata. Il kit economizzatore permette di mescolare l'aria esterna con l'aria di ritorno per un raffreddamento 'naturale' se la temperatura dell'aria esterna è adatta. Il raffreddamento dell'economizzatore può essere usato singolarmente o insieme al raffreddamento meccanico. Oltre a ciò, il kit dell'economizzatore può essere usato anche per fornire un'aria ventilata, da cui risulta il miglioramento della qualità dell'aria interna. È vitale eseguire una corretta selezione sul kit dell'economizzatore, fare riferimento alla tabella sottostante per le linee guida sulla selezione del kit:

N.	Unità a tetto	Il kit dell'economizzatore è compatibile con l'unità a tetto
1	UATYQ250	ECONO250
2	UATYQ350	ECONO350
3	UATYQ450	ECONO450
4	UATYQ550	ECONO550
5	UATYQ600	ECONO600
6	UATYQ700	ECONO700
7	UATYQ900	ECONO900

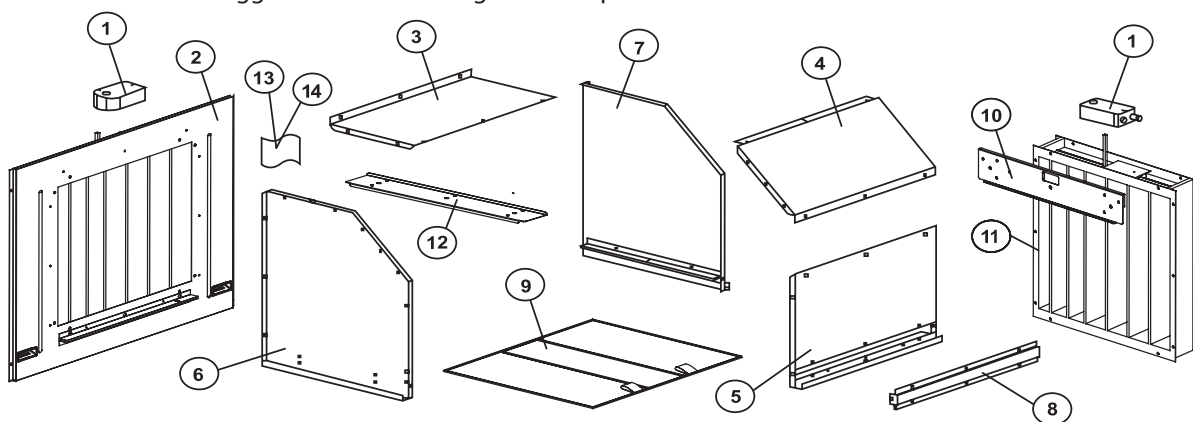
Nota

Una selezione sbagliata può causare l'impossibilità di assemblare il kit all'unità a tetto.

B Controllo prima dell'installazione

(i) Contenuti del kit dell'economizzatore

Prima dell'installazione, si raccomanda di controllare il contenuto del kit dell'economizzatore dopo aver rimosso il materiale d'imballaggio. Il kit include i seguenti componenti:

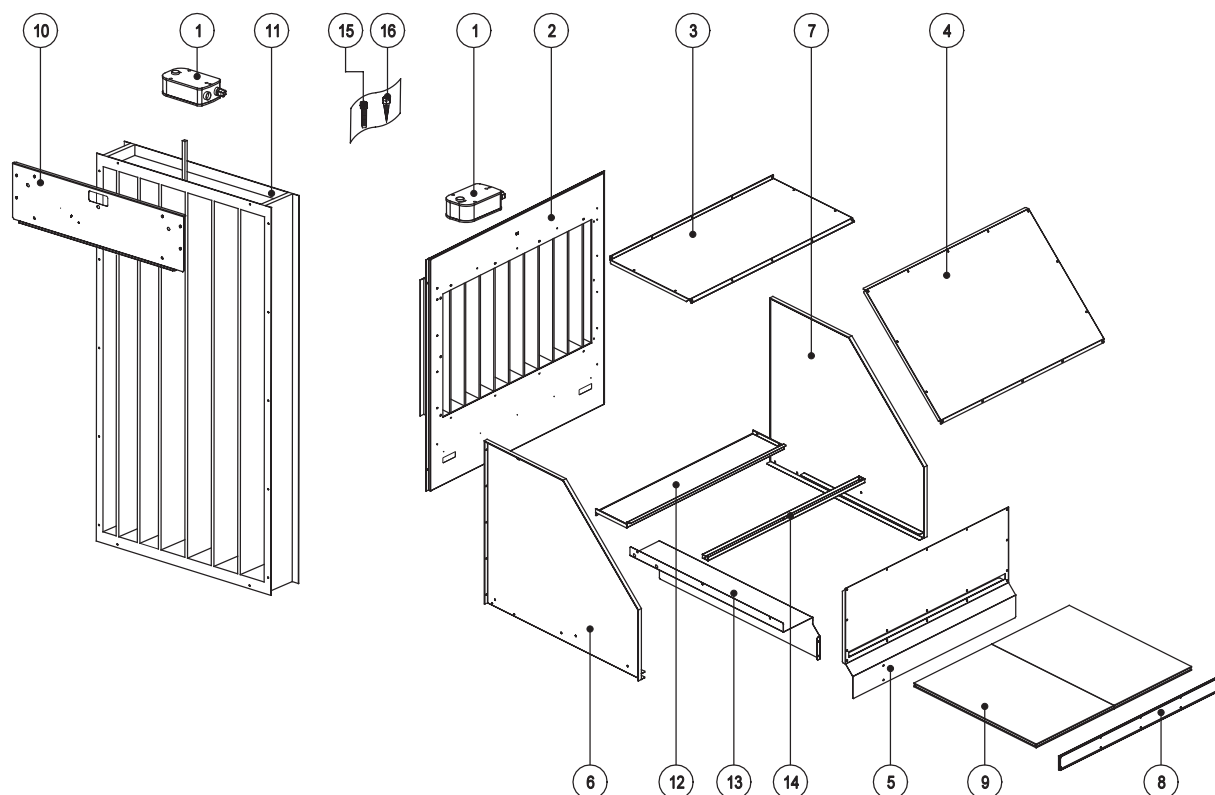


N.	Descrizione parte	Quantità (set)
1	Attuatore Belimo, LF24-SR	2
2	Pannello laterale con regolatore aria esterna	1
3	Cappa, pannello superiore	1
4	Cappa, pannello centrale	1
5	Cappa, pannello inferiore	1
6	Cappa, pannello laterale a sinistra	1
7	Cappa, pannello laterale a destra	1

N.	Descrizione parte	Quantità (set)
8	Coperchio del filtro	1
9	Filtro	1
10	Mensola di supporto, regolatore dell'aria di ritorno	1
11	Regolatore dell'aria di ritorno	1
12	Mensola di supporto, inversa	1
13	Vite, M5x16	55
14	Vite, M4x12	4

* Braccio di supporto, unità a raggio basso (articolo 12) non è disponibile nell'ECONO700.

(ii) Contenuti del kit dell'economizzatore UATY900



N.	Descrizione parte	Quantità (set)
1	Attuatore Belimo, LF24-SR	2
2	Pannello laterale con regolatore aria esterna	1
3	Cappa, pannello superiore	1
4	Cappa, pannello centrale	1
5	Cappa, pannello frontale	1
6	Cappa, pannello laterale a sinistra	1
7	Cappa, pannello laterale a destra	1
8	Coperchio del filtro	1

N.	Descrizione parte	Quantità (set)
9	Filtro	1
10	Mensola di supporto, regolatore dell'aria di ritorno	1
11	Regolatore dell'aria di ritorno	1
12	Cappa, pannello inferiore	1
13	Flangia, Aria Cappa 1	1
14	Supporto del filtro	1
15	Vite, M5x16	97
16	Vite, M4x12	4

Nota

Se l'accessorio è danneggiato o incomplete, contattare la divisione di servizio autorizzata.

(iii) Distanza dell'unità

Prevedere spazio sufficiente per il flusso d'aria, la manutenzione e i lavori di cablaggio dopo che il kit è stato montato sull'unità. In questo spazio, non ci devono essere ostruzioni al flusso dell'aria. Fare riferimento alla sezione (F) del capitolo "INSTALLAZIONE DELL'UNITÀ" nel presente manuale. La mancata esecuzione di tale istruzione può causare un lento flusso dell'aria o un malfunzionamento dell'unità.

(iv) Luogo per l'installazione

Seguire le raccomandazioni fornite nella sezione (A) del capitolo "INSTALLAZIONE DELL'UNITÀ" nel presente manuale. Inoltre, bisogna valutare le condizioni d'installazione attorno al kit qualora:

- Lo spazio del parapoggia dal pavimento deve sempre essere libero da accumuli di neve o pioggia.
- L'ingresso dell'aria fresca non è rivolto verso la direzione del vento dominante.
- L'aria esterna deve sempre essere pulita e priva di odori, deve osservare il limite di concentrazione di diversi di contaminanti determinati dagli standard locali e non deve superare la soglia del valore limite (TLV) previsto per la tossicità dagli standard locali.

(v) Funzione ammortizzatore

Controllare i due regolatori del kit dell'economizzatore, cioè la parte 2 e la parte 11, girando l'asse del regolatore a +90° e -90° (da completamente aperto a completamente chiuso o viceversa). La rotazione del regolatore deve essere agevole e facile. La divisione di servizio autorizzata deve essere informata di tutti i danni o le anomalie.

C Attrezzi e Materiali Necessari per l'Installazione

- | | |
|---------------------------------------------------|---------------------------------------------------------------|
| (i) Cacciavite elettrico con vari tipi di prese | (vii) Chiave inglese regolabile (di piccole dimensioni). |
| (ii) Perforatore elettrico con vari tipi di prese | (viii) Piede di porco e martello |
| (iii) Piccolo cacciavite a lama piatta | (ix) Sigillante resistente alle intemperie (come il silicone) |
| (iv) Taglierino | (x) Guarnizione |
| (v) Cacciavite a croce | (xi) Linguetta per il blocco di sicurezza |
| (vi) Metro a nastro o a stecche | (xii) Laccetto di cavi |

D Linee Guida d'Installazione

(i) Applicazione di ritorno laterale (orizzontale)

PUNTO 1

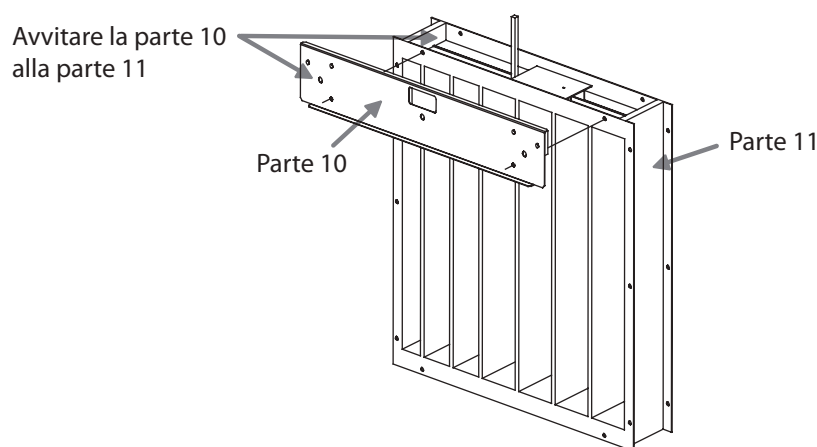
- Togliere l'alimentazione di corrente all'unità e installare una linguetta per il blocco di sicurezza prima dell'installazione, della messa in servizio o della manutenzione dell'unità dell'economizzatore. Preparare tutti gli attrezzi necessari, secondo quanto accennato precedentemente.

PUNTO 2

- Togliere il kit dell'economizzatore dal contenitore di legno usando un piede di porco e un martello. Rimuovere quindi i sacchetti di plastica contenenti le parti componibili e i ganci con un taglierino. Procedere al controllo prima dell'installazione, secondo quanto accennato precedentemente.

PUNTO 3

- Attaccare la mensola di supporto e il regolatore dell'aria di ritorno (parte 10) al regolatore dell'aria di ritorno (parte 11) usando una vite M5 x 16 (parte 13) fornita nel kit.



PUNTO 4

- Montare l'attuatore Belimo da 1 pz, LF24-SR (articolo 1) con l'etichetta "RA" sull'ammortizzatore dell'aria di ritorno (articolo 11). Allineare e inserire l'asse del regolatore nel foro dell'attuatore.



CAUTELA 1

L'impostazione predefinita dell'ammortizzatore dell'aria di ritorno (articolo 11) deve essere completamente aperta. Assicurarsi che l'ammortizzatore sia in posizione 'completamente aperta' prima di montare l'attuatore. Non farlo provocherà errori durante il normale funzionamento dell'unità. Istruzione provocherà errori durante il normale

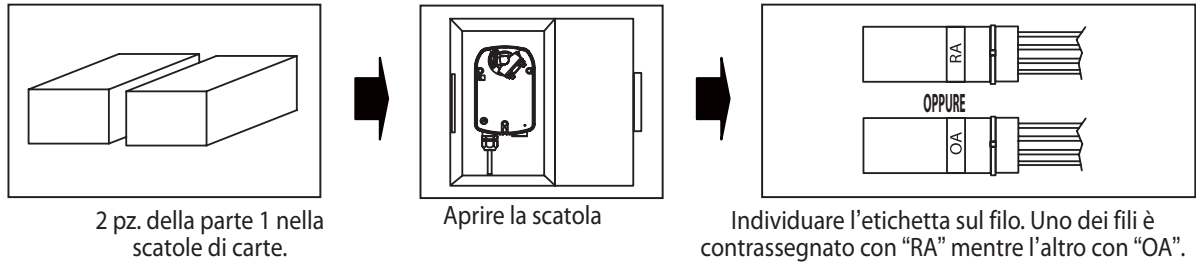


CAUTELA 2

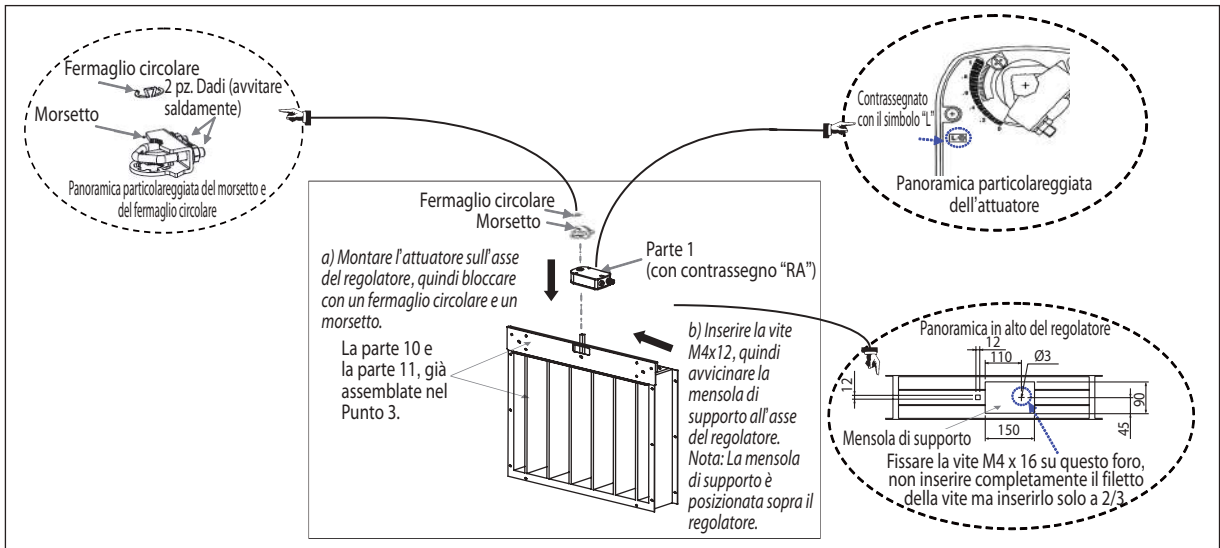
La superficie dell'attuatore rivolta in alto/all'esterno deve essere contrassegnata con il simbolo "L" al fine di garantire la rotazione della modulazione dell'attuatore in senso orario. Non farlo provocherà errori durante il normale funzionamento dell'unità con la funzione economizzatore.

Nota

Nel kit dell'economizzatore, sono presenti 2 pz. di attuatore Belimo, LF24-SR (parte 1), contenuti nelle scatole di cartone. Aprire le scatole e individuare l'etichetta sul filo. L'attuatore usato nel punto 4 è quello con l'etichetta "RA".



- Fissare quindi 1 pz. vite M4 x 12 (parte 14) sulla mensola di supporto del regolatore. Non inserire completamente il filetto della vite, inserire fino a 2/3 del filetto. Montare l'attuatore sulla mensola di supporto avvicinando quest'ultima all'asse del regolatore. La funzione della vite M4 x 12 è di bloccare l'attuatore in modo che non scivoli durante la modulazione.
- Di seguito, inserire il morsetto sull'asse e bloccare l'attuatore con il fermaglio circolare. Fissare saldamente i dadi del morsetto con una chiave inglese regolabile. Da notare che il morsetto e il fermaglio circolare sono aggiunte all'attuatore quali parti standard, è possibile trovare le parti all'interno della confezione dell'attuatore.



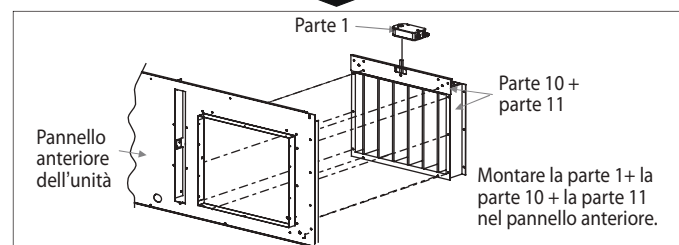
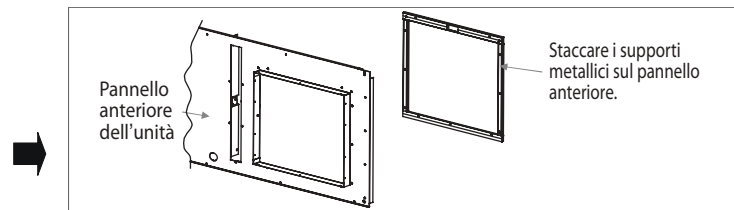
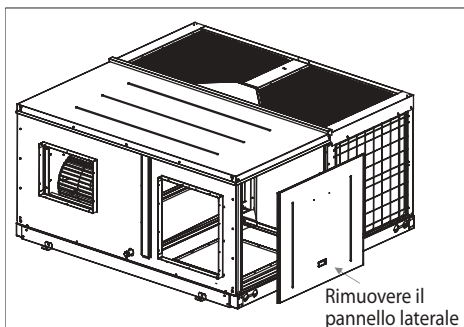
PUNTO 5

- Rimuovere il pannello laterale. Staccare quindi i 4 pz. del supporto metallico sul pannello anteriore. Installare il regolatore dell'aria di ritorno (parte 11) + la mensola di supporto, il regolatore dell'aria di ritorno (parte 10) + attuatore Belimo, LF24-SR (parte 1) già assemblati nel punto 3 e nel punto 4 sul pannello anteriore dell'unità usando gli stessi fori per le viti. Usare la vite M5x16 (parte 13) per il fissaggio.



CAUTELA

Allungare il sensore dell'aria di ritorno, situato all'interno dell'unità (sulla parte superiore dell'apertura dell'aria di ritorno), all'area esterna dell'unità. Ciò può essere attuato facendo passare il sensore attraverso piccoli fori sulla mensola di supporto, il regolatore dell'aria di ritorno (parte 10). Il sensore viene quindi posizionato correttamente all'interno del condotto dell'aria di ritorno usando i lacci per cavi (fornitura sul campo). La mancata esecuzione di tale istruzione potrebbe influire negativamente sulle prestazioni dell'unità e causare disagio termico agli utenti.



PUNTO 6

- Montare l'attuatore Belimo da 1 pz, LF24-SR (articolo 1) con l'etichetta 'OA' sul pannello laterale con l'ammortizzatore dell'aria di uscita (articolo 2). Allineare e inserire l'asse del regolatore nel foro dell'attuatore.



CAUTELA 1

La posizione predefinita per il regolatore dell'aria esterna (parte 2) deve essere completamente chiusa. Assicurarsi che il regolatore sia in posizione "completamente chiusa" prima di montare l'attuatore. Il mancato adempimento di tale istruzione provocherà errori durante il normale funzionamento dell'unità.

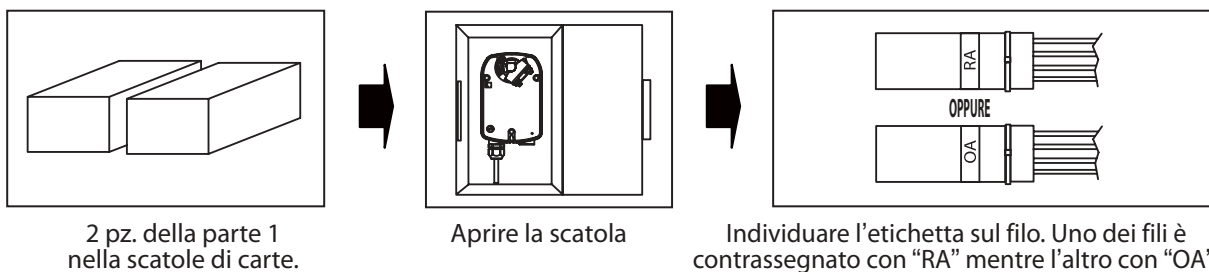


CAUTELA 2

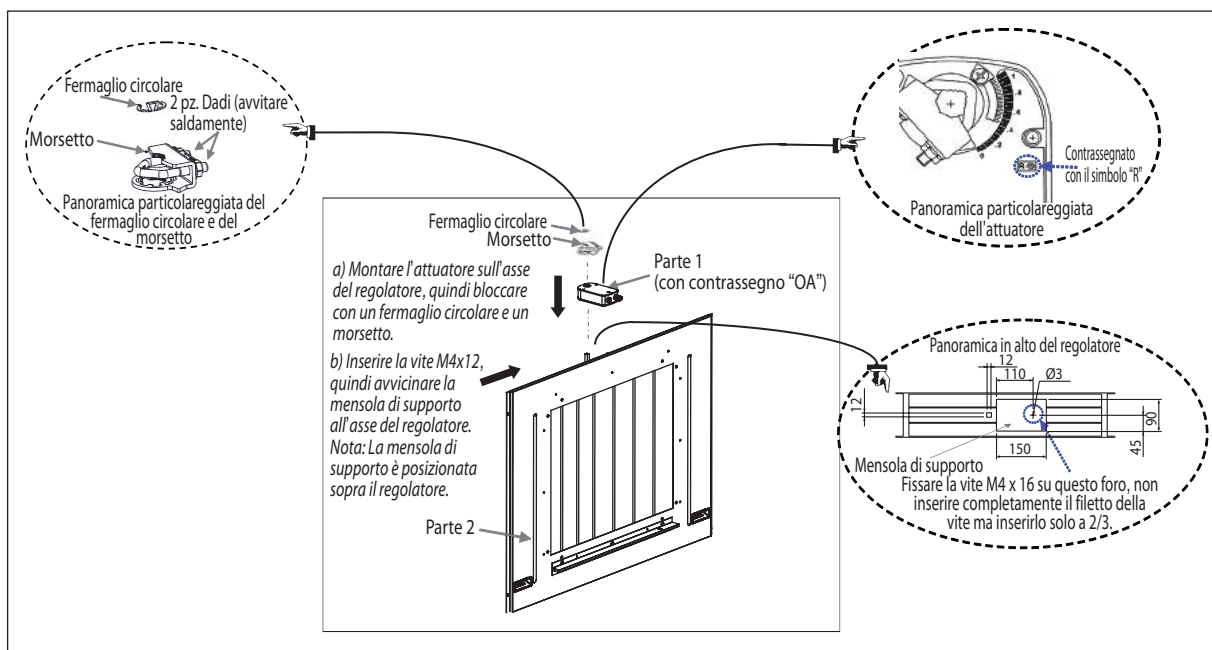
La superficie dell'attuatore rivolta in alto/all'esterno deve essere contrassegnata con il simbolo "R" al fine di garantire la rotazione della modulazione dell'attuatore in senso antiorario. Il mancato adempimento di tale istruzione provocherà errori durante il funzionamento dell'unità con economizzatore.

Nota

Nel kit dell'economizzatore, sono presenti 2 pz. di attuatore Belimo, LF24-SR (parte 1), contenuti nelle scatole di cartone. Aprire le scatole e individuare l'etichetta sul filo. L'attuatore usato nel punto 6 è quello con l'etichetta "OA".



- Fissare quindi 1 pz. vite M4 x 12 (parte 14) sulla mensola di supporto del regolatore. Non inserire completamente il filetto della vite, inserire fino a 2/3 del filetto. Montare l'attuatore sulla mensola di supporto avvicinando quest'ultima all'asse del regolatore. La funzione della vite M4 x 12 è di bloccare l'attuatore in modo che non scivoli durante la modulazione.
- Di seguito, inserire il morsetto sull'asse e bloccare l'attuatore con il fermaglio circolare. Fissare saldamente i dadi del morsetto con una chiave inglese regolabile. Da notare che il morsetto e il fermaglio circolare sono aggiunte all'attuatore quali parti standard, è possibile trovare le parti all'interno della confezione dell'attuatore.



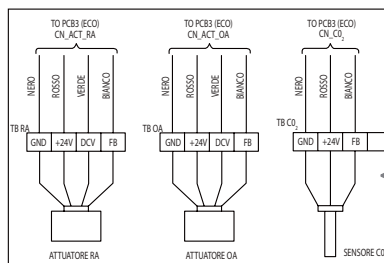
PUNTO 7

- Collegare l'attuatore Belimo, LF24-SR (parte 1), contrassegnato con "RA" e posizionato ora sul gruppo regolatore del pannello anteriore, al blocco terminale contrassegnato con "RA" all'interno della cassetta di giunzione.

- Sull'attuatore, sono presenti quattro fili con colori diversi (nero, rosso, verde e bianco). Collegare i fili nel seguente modo:

- Filo nero - collegare al primo polo del blocco terminale con etichetta "GND".
- Filo rosso - collegare al secondo polo del blocco terminale con etichetta "+24V".
- Filo verde - collegare al terzo polo del blocco terminale con etichetta "DCV".
- Filo bianco - collegare al quarto polo del blocco terminale con etichetta "FB".

(È possibile fare riferimento al diagramma adesivo dei fili, situato sul coperchio anteriore della cassetta di giunzione.)



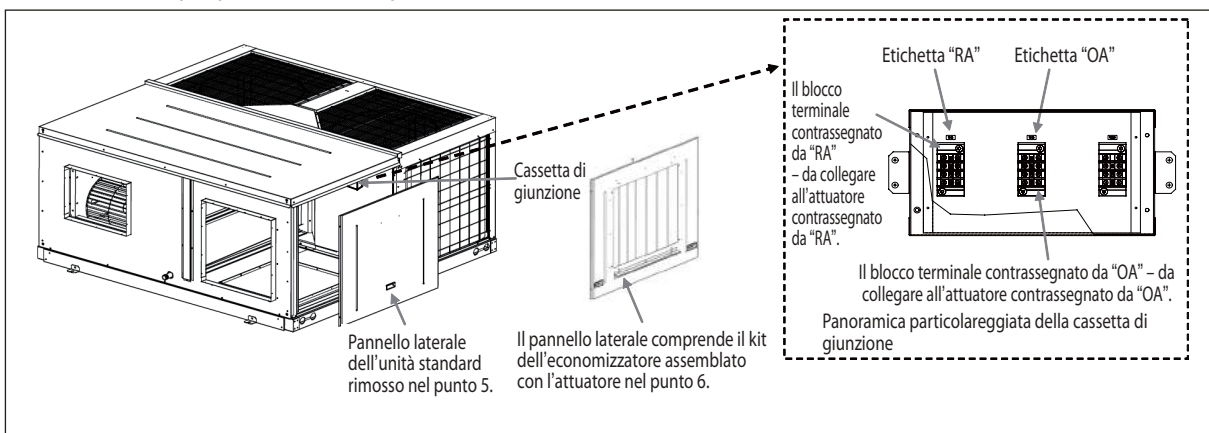
Il diagramma adesivo dei fili sul coperchio anteriore della cassetta di giunzione



CAUTELA

Un collegamento dei fili sbagliato può causare il malfunzionamento sull'attuatore o sulla scheda di controllo dell'economizzatore o su entrambi. Legare i fili con gli appositi lacci disinnestabili sotto la cassetta di giunzione.

- Collegare quindi l'attuatore Belimo, LF24-SR (parte 1), contrassegnato con "OA" e posizionato ora sul gruppo regolatore del pannello laterale, al blocco terminale contrassegnato con "OA" all'interno della stessa cassetta di giunzione. Seguire lo stesso metodo usato per il collegamento dei fili tra l'attuatore "RA" e il blocco terminale "RA". In seguito, fissare il pannello laterale all'unità. Potrebbe essere necessario attuare una corretta disposizione dei fili dell'attuatore usando i lacci per cavi (fornitura sul campo) prima di fissare il pannello laterale all'unità.

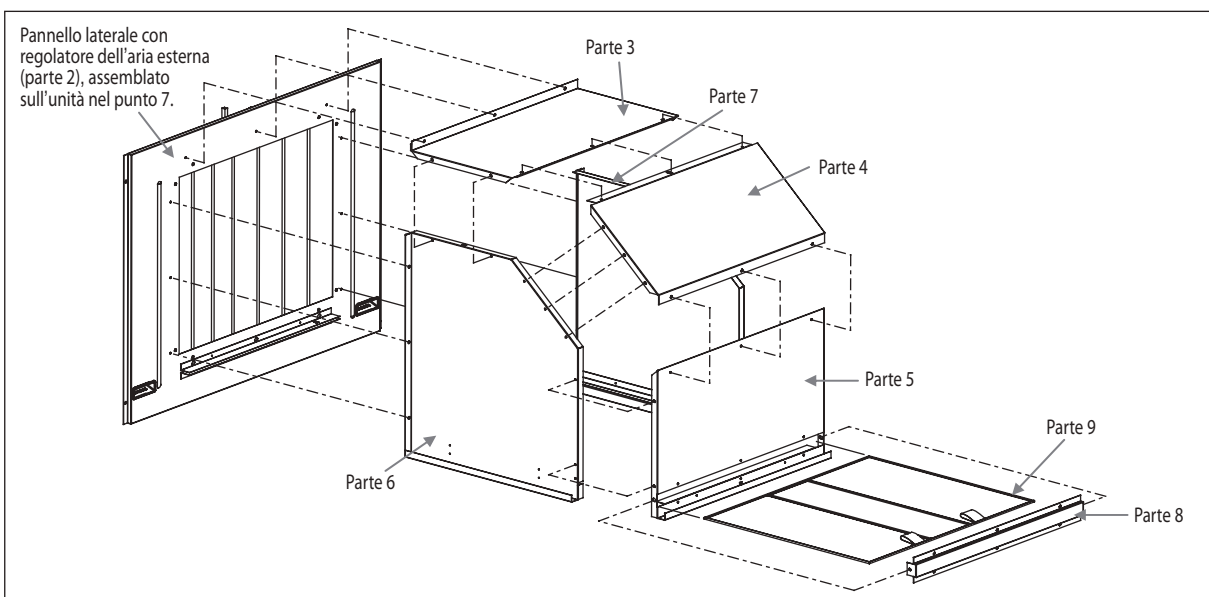


PUNTO 8

- Per costruire il parapoggia, installare le parti componibili (parti metalliche) sul pannello laterale. Prima di procedere, posizionare la guarnizione (fornitura sul campo) sul pannello laterale per sigillare.
- Quindi, osservare la sequenza di installazione indicata di seguito per creare il parapoggia:

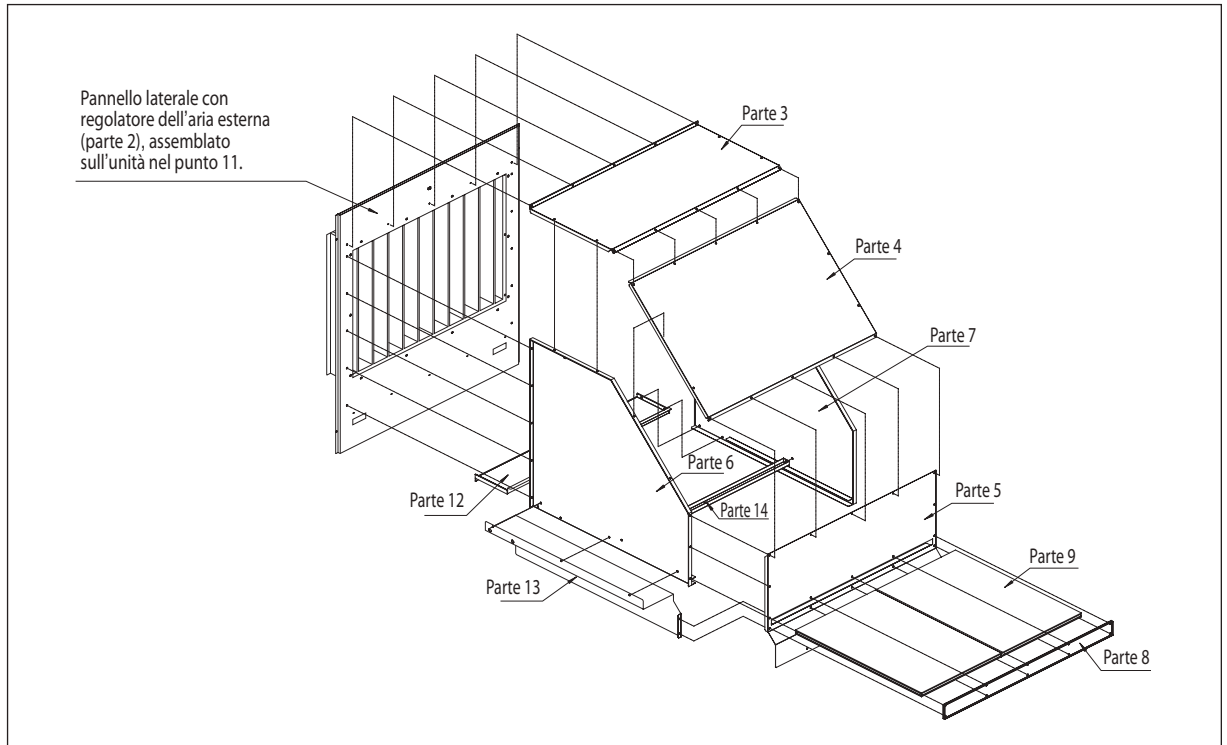
Modello : UATYQ 250, 350, 450, 550, 600, 700

Guarnizione
 Parte 2-----> Parte 6-----> Parte 7-----> Parte 3-----> Parte 4-----> Parte 5-----> Parte 9-----> Parte 8-----> Sigillante



Modello : UATYQ 900

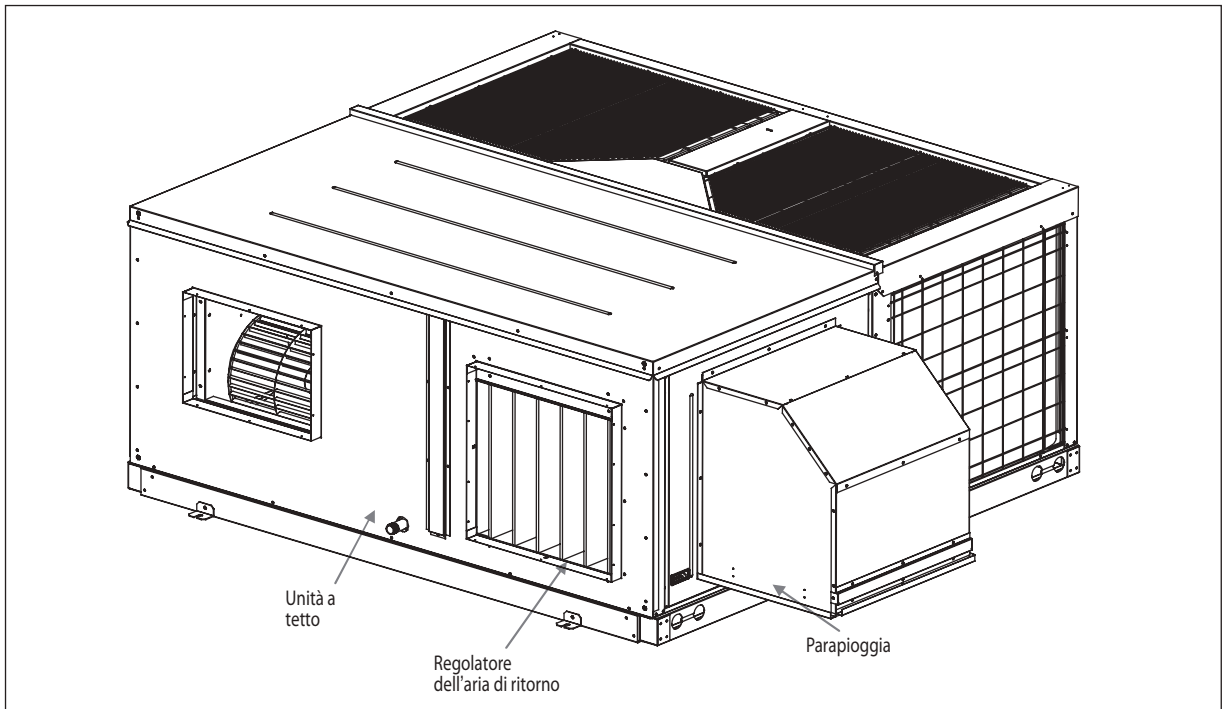
Guarnizione
 Parte 2-----> Parte 6 ----->Parte 7 ----->Parte 12 ----->Parte 14 ----->Parte 5 ----->Parte 4 ----->Parte 3 -----> Parte 13 ----->Parte 9 ----->Parte 8 -----> Sigillante



- Si raccomanda di sigillare tutte le giunture e gli spazi con un sigillante resistente alle intemperie (come il silicone, materiale fornito sul campo) al fine di garantire una finitura impermeabile sul parapioggia.

PUNTO 9

- Infine, è possibile osservare l'unità con il kit dell'economizzatore come mostrato nel seguente diagramma:



Nota

L'unità mostrata nei diagrammi dal punto 1 al punto 9 è UATYQ350. Altri modelli seguono lo stesso metodo.
 L'unità mostrata nei diagrammi dal punto 1 al punto 10 è UATYQ900. Altri modelli seguono lo stesso metodo.

(ii) Applicazione di ritorno verso il basso (verticale)

PUNTO 1

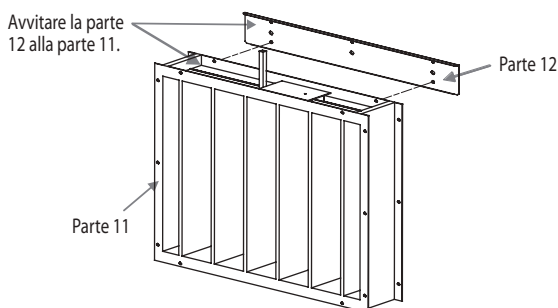
- Togliere l'alimentazione di corrente all'unità e installare una linguetta per il blocco di sicurezza prima dell'installazione, della messa in servizio o della manutenzione dell'unità dell'economizzatore. Preparare tutti gli attrezzi necessari, secondo quanto accennato precedentemente.

PUNTO 2

- Togliere il kit dell'economizzatore dal contenitore di legno usando un piede di porco e un martello. Rimuovere quindi i sacchetti di plastica contenenti le parti componibili e i ganci con un taglierino. Procedere al controllo prima dell'installazione, secondo quanto accennato precedentemente.

PUNTO 3

- Attaccare la mensola di supporto, inversa (parte 12) al regolatore dell'aria di ritorno (parte 11) usando una vite M5 x 16 (parte 13) fornita nel kit.



Nota

Braccio di supporto, unità a basso raggio (articolo 12) non è disponibile nell'ECONO 700 & 900. Per installare il kit di economizzazione per questo modello, ignorare il punto 3 e passare al punto 4.

PUNTO 4

- Montare l'attuatore Belimo da 1 pz, LF24-SR (parte 1) sul regolatore d'aria di ritorno (parte 11). Allineare e inserire l'asse del regolatore nel foro dell'attuatore.



CAUTELA 1

La posizione predefinita per il regolatore dell'aria di ritorno (parte 11) deve essere completamente aperta. Assicurarsi che il regolatore sia in posizione "completamente aperta" prima di montare l'attuatore. Il mancato adempimento di tale istruzione provocherà errori durante il normale funzionamento dell'unità.

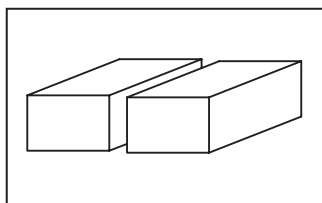


CAUTELA 2

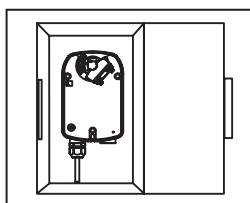
La superficie dell'attuatore rivolta in alto/ all'esterno deve essere contrassegnata con il simbolo "L" al fine di garantire la rotazione della modulazione dell'attuatore in senso orario. Il mancato adempimento di tale istruzione provocherà errori durante il funzionamento dell'unità con economizzatore.

Nota

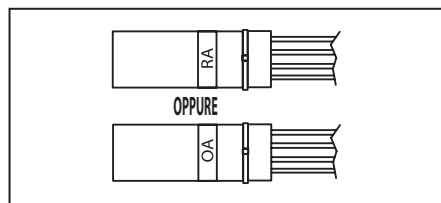
Nel kit dell'economizzatore, sono presenti 2 pz. di attuatore Belimo, LF24-SR (parte 1), contenuti nelle scatole di cartone. Aprire le scatole e individuare l'etichetta sul filo. L'attuatore usato nel punto 4 è quello con l'etichetta "RA".



2 pz. della parte 1 nella scatole di carte.

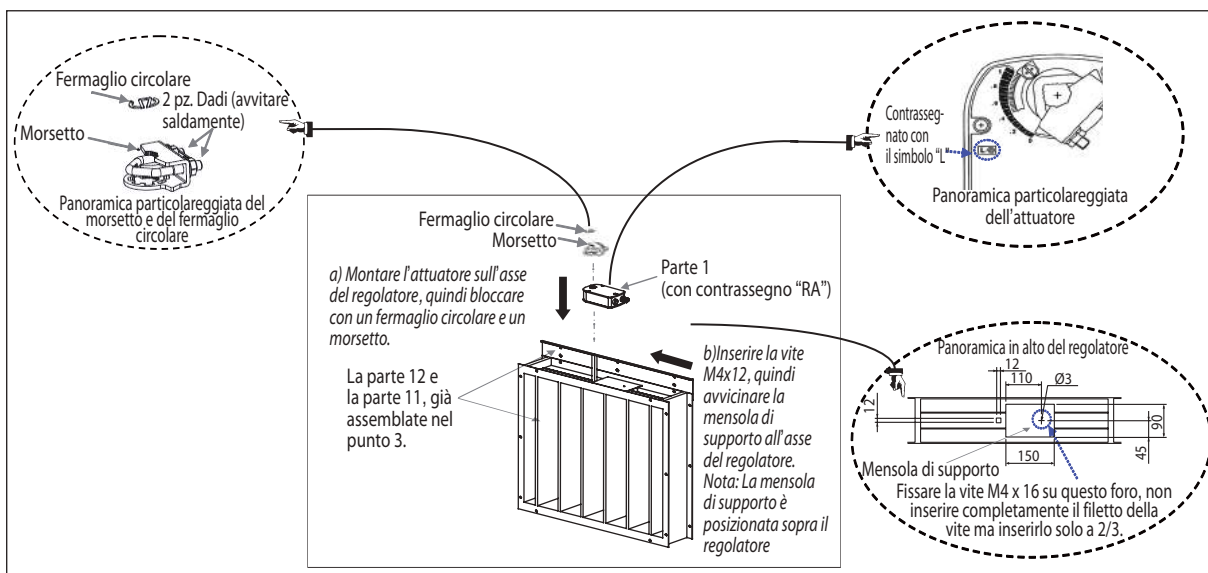


Aprire la scatola



Individuare l'etichetta sul filo. Uno dei fili è contrassegnato con "RA" mentre l'altro con "OA".

- Fissare quindi 1 pz. Vite M4 x 12 (parte 14) sulla mensola di supporto del regolatore. Non inserire completamente il filetto della vite, inserire fino a 2/3 del filetto. Montare l'attuatore sulla mensola di supporto avvicinando quest'ultima all'asse del regolatore. La funzione della vite M4 x 12 è di bloccare l'attuatore in modo che non scivoli durante la modulazione.
- Di seguito, inserire il morsetto sull'asse e bloccare l'attuatore con il fermaglio circolare. Fissare saldamente i dadi del morsetto con una chiave inglese regolabile. Da notare che il morsetto e il fermaglio circolare sono aggiunte all'attuatore quali parti standard, è possibile trovare le parti all'interno della confezione dell'attuatore.



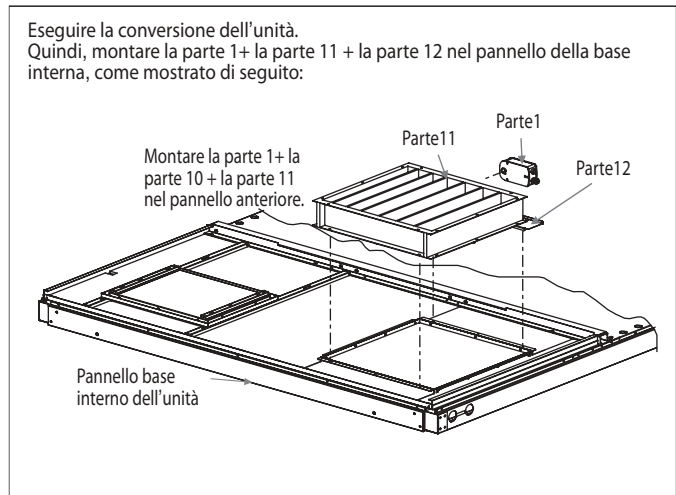
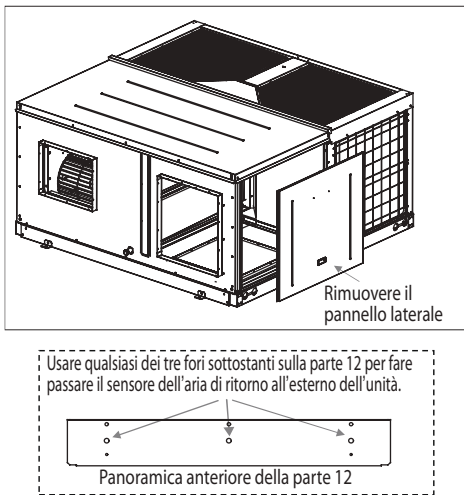
PUNTO 5

- Rimuovere il pannello laterale. Eseguire la conversione dell'unità dall'unità standard all'unità inversa seguendo i punti indicati nella sezione (G) del capitolo "INSTALLAZIONE DELL'UNITÀ" nel presente manuale.
- Installare quindi il regolatore dell'aria di ritorno (parte 11) + la mensola di supporto, inversa (parte 12) + attuatore Belimo, LF24-SR (parte 1) già assemblati nel punto 3 e nel punto 4 sul pannello della base interna dell'unità usando viti M5x16 (parte 13).



CAUTELA

Allungare il sensore dell'aria di ritorno, situato all'interno dell'unità (sulla parte superiore dell'apertura dell'aria di ritorno), all'area esterna dell'unità. Ciò può essere attuato facendo passare il sensore attraverso piccoli fori sulla mensola di supporto, inversa (parte 12). Il sensore viene quindi posizionato correttamente all'interno del condotto dell'aria di ritorno usando i lacci per cavi (fornitura sul campo). Per i modelli ECON0700 e UATYQ700, il sensore può essere introdotto e fatto passare lungo il piccolo foro della flangia metallica dell'apertura per l'aria di ricupero dell'unità a basso raggio.



PUNTO 6

- Montare 1 pz. dell'attuatore Belimo, LF24-SR (parte 1) sul pannello laterale con il regolatore dell'aria esterna (parte 2). Allineare e inserire l'asse del regolatore nel foro dell'attuatore.



CAUTELA 1

La posizione predefinita per il regolatore dell'aria esterna (parte 2) deve essere completamente chiusa. Assicurarsi che il regolatore sia in posizione "completamente chiusa" prima di montare l'attuatore. Il mancato adempimento di tale istruzione provocherà errori durante il normale funzionamento dell'unità.

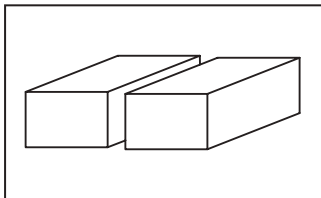


CAUTELA 2

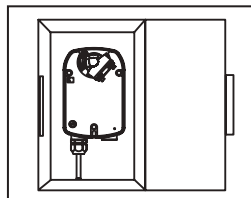
La superficie dell'attuatore rivolta in alto/ all'esterno deve essere contrassegnata con il simbolo "R" al fine di garantire la rotazione della modulazione dell'attuatore in senso antiorario. Il mancato adempimento di tale istruzione provocherà errori durante il funzionamento dell'unità con economizzatore.

Nota

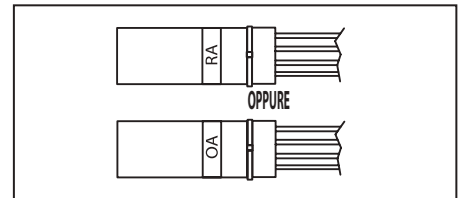
Nel kit dell'economizzatore, sono presenti 2 pz. di attuatore Belimo, LF24-SR (parte 1), contenuti nelle scatole di cartone. Aprire le scatole e individuare l'etichetta sul filo. L'attuatore usato nel punto 6 è quello con l'etichetta "OA".



2 pz. della parte 1
nella scatole di carte.

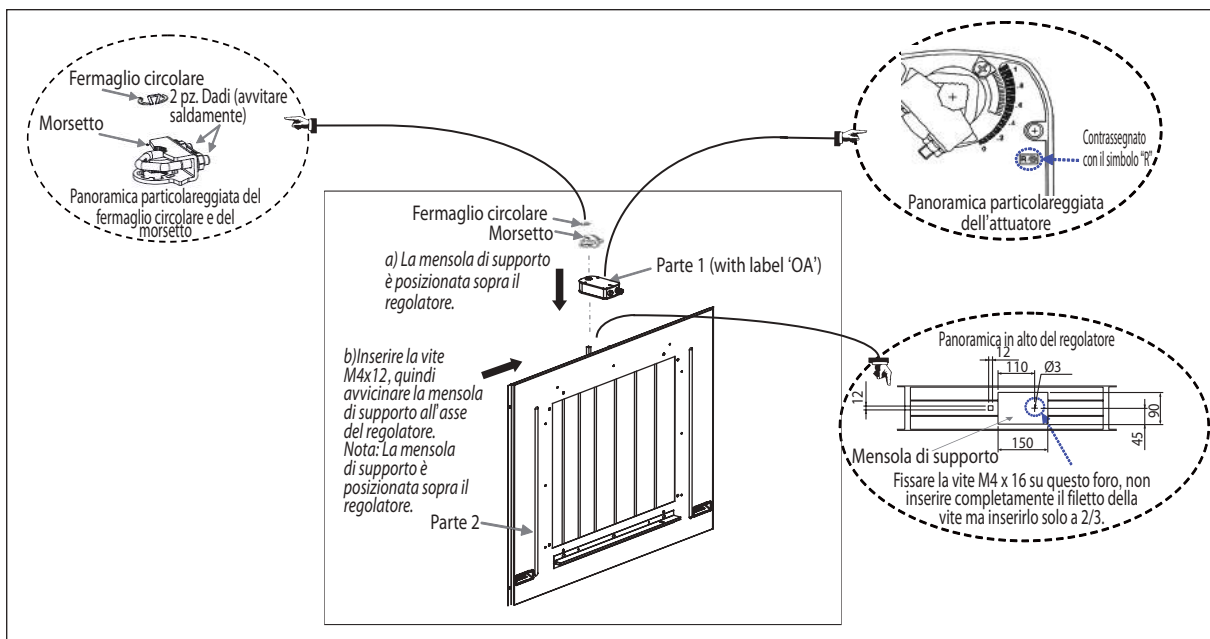


Aprire la scatola.



Individuare l'etichetta sul filo. Uno dei fili è contrassegnato con "RA" mentre l'altro con "OA".

- Fissare quindi 1 pz. Vite M4 x 12 (parte 14) sulla mensola di supporto del regolatore. Non inserire completamente il filetto della vite, inserire fino a 2/3 del filetto. Montare l'attuatore sulla mensola di supporto avvicinando quest'ultima all'asse del regolatore. La funzione della vite M4 x 12 è di bloccare l'attuatore in modo che non scivoli durante la modulazione.
- Di seguito, inserire il morsetto sull'asse e bloccare l'attuatore con il fermaglio circolare. Fissare saldamente i dadi del morsetto con una chiave inglese regolabile. Da notare che il morsetto e il fermaglio circolare sono aggiunte all'attuatore quali parti standard, è possibile trovare le parti all'interno della confezione dell'attuatore.

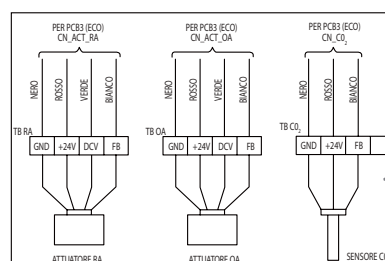


PUNTO 7

- Collegare l'attuatore Belimo, LF24-SR (parte 1), contrassegnato con "RA" e posizionato ora sul gruppo regolatore del pannello della base interna, al blocco terminale contrassegnato con "RA" all'interno della cassetta di giunzione.
- Sull'attuatore, sono presenti quattro fili con colori diversi (nero, rosso, verde e bianco). Collegare i fili nel seguente modo:

- Filo nero - collegare al primo polo del blocco terminale con etichetta "GND".
- Filo rosso - collegare al secondo polo del blocco terminale con etichetta "+24V".
- Filo verde - collegare al terzo polo del blocco terminale con etichetta "DCV".
- Filo bianco - collegare al quarto polo del blocco terminale con etichetta "FB".

(È possibile fare riferimento al diagramma adesivo dei fili, situato sul coperchio anteriore della cassetta di giunzione.)



Il diagramma adesivo dei fili sul coperchio anteriore della cassetta di giunzione

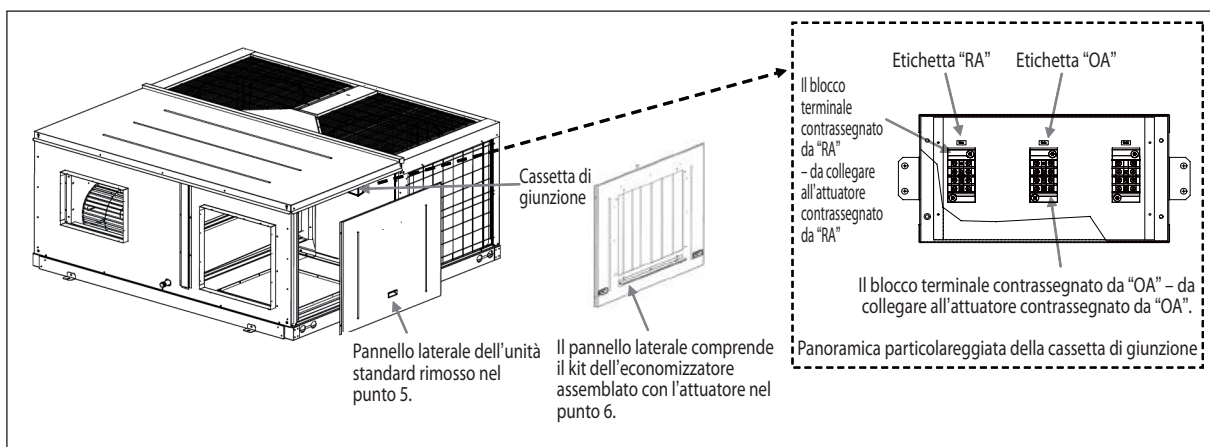
ITALIANO



CAUTELA

Un collegamento dei fili sbagliato può causare il malfunzionamento sull'attuatore o sulla scheda di controllo dell'economizzatore o su entrambi. Legare i fili con gli appositi lacci disinnestabili sotto la cassetta di giunzione.

- Collegare quindi l'attuatore Belimo, LF24-SR (parte 1), contrassegnato con "OA" e posizionato ora sul gruppo regolatore del pannello laterale, al blocco terminale contrassegnato con "OA" all'interno della stessa cassetta di giunzione. Seguire lo stesso metodo usato per il collegamento dei fili tra l'attuatore "RA" e il blocco terminale "RA". In seguito, fissare il pannello laterale all'unità. Potrebbe essere necessario attuare una corretta disposizione dei fili dell'attuatore usando i lacci per cavi (fornitura sul campo) prima di fissare il pannello laterale all'unità.

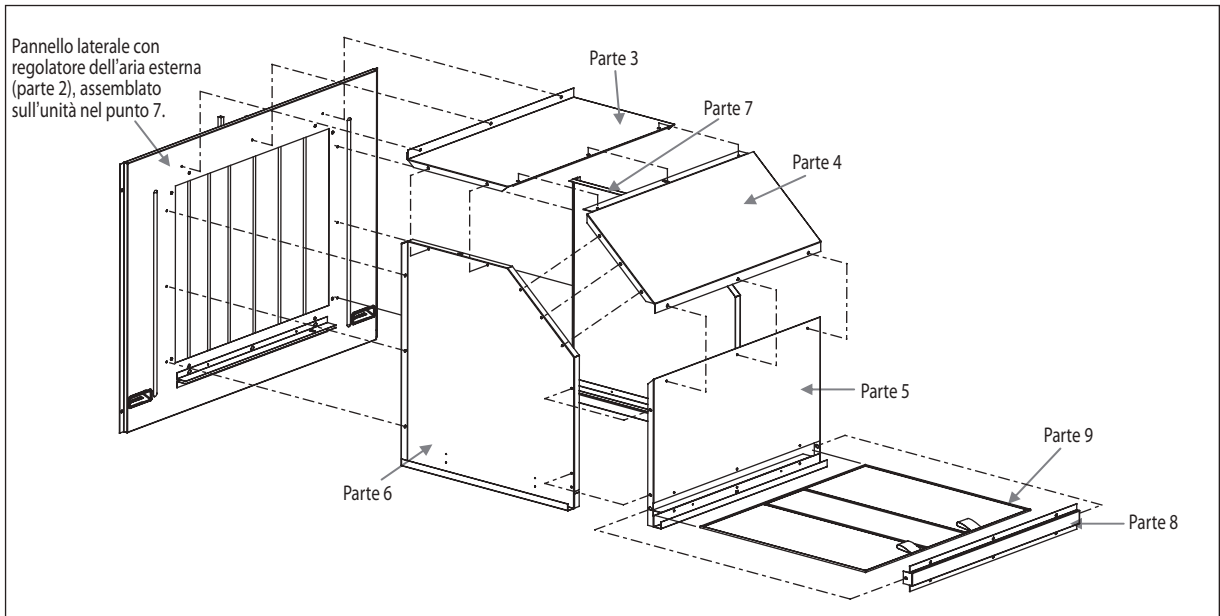


PUNTO 8

- Per costruire il parapioggia, installare le parti componibili (parti metalliche) sul pannello laterale. Prima di procedere, posizionare la guarnizione (fornitura sul campo) sul pannello laterale per sigillare.
- Quindi, osservare la sequenza di installazione indicata di seguito per creare il parapioggia:

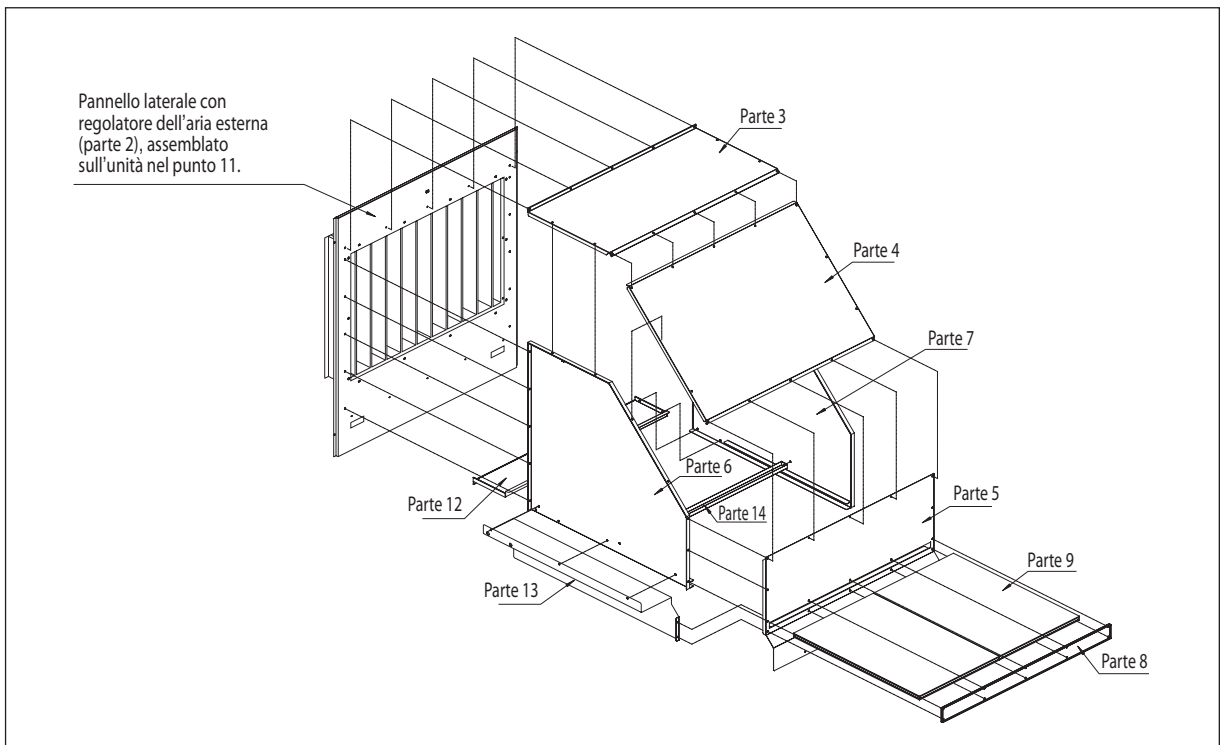
Modello : UATYQ 250, 350, 450, 550, 600, 700

Guarnizione
Parte 2-----> Parte 6-----> Parte 7-----> Parte 3-----> Parte 4-----> Parte 5-----> Parte 9-----> Parte 8-----> Sigillante



Modello : UATYQ 900

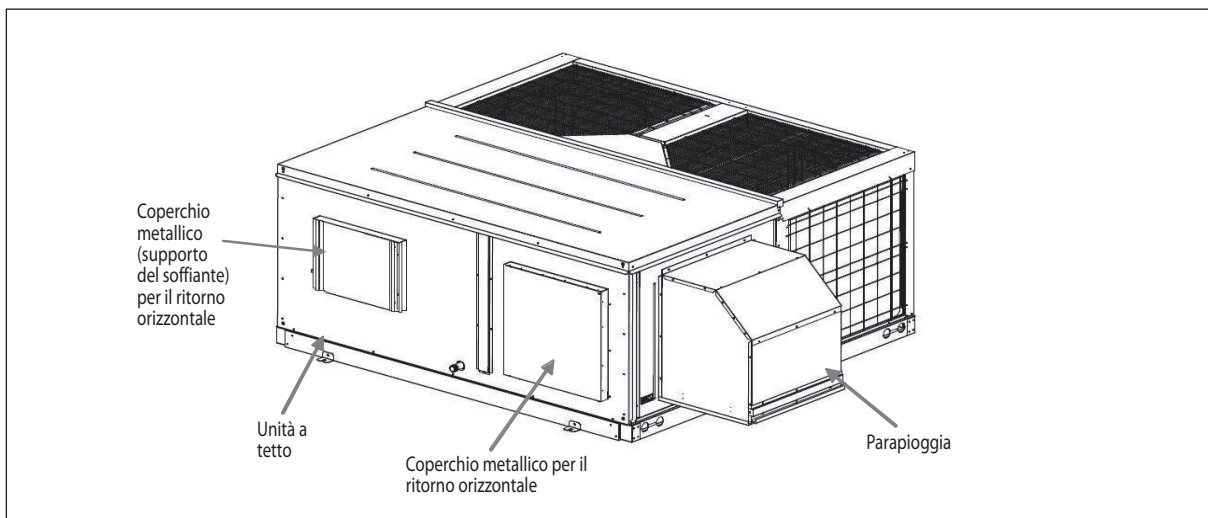
Guarnizione
Parte 2-----> Parte 6----->Parte 7----->Parte 12----->Parte 14----->Parte 5----->Parte 4----->Parte 3-----> Parte 13-----> Parte 9----->Parte 8-----> Sigillante



- Si raccomanda di sigillare tutte le giunture e gli spazi con un . sigillante resistente alle intemperie (come il silicone, materiale fornito sul campo) al fine di garantire una finitura impermeabile sul parapioggia.

PUNTO 9 & PUNTO 10 (solo per UATYQ900).

- Infine, è possibile osservare l'unità con il kit dell'economizzatore come mostrato nel seguente diagramma:
- Quando è necessaria la struttura di tenuta a soffitto per l'applicazione inversa, fare riferimento alle raccomandazioni della sezione (C) nel capitolo "INSTALLAZIONE DELL'UNITÀ" del presente manuale.



Nota

L'unità mostrata nei diagrammi dal punto 1 al punto 9 è UATYQ350. Altri modelli seguono lo stesso metodo.
L'unità mostrata nei diagrammi dal punto 1 al punto 10 è UATYQ900. Altri modelli seguono lo stesso metodo.

E Messa in servizio

(i) Resistenza del flusso d'aria

La resistenza del flusso d'aria si riferisce al calo di pressione causato dal kit dell'economizzatore. Prima dell'installazione, si raccomanda di controllare la tabella del calo di pressione fornita nel Registro dei Dati Tecnici, al fine di eseguire una corretta selezione del disegno.

(ii) Regolazione delle prestazioni

Le prestazioni dell'unità si riducono quando l'unità funziona in modalità aria fresca, in base alla selezione dell'utente, in base alla selezione dell'utente. Prima dell'installazione, si raccomanda di controllare la tabella dei fattori di correzione fornita nel Registro dei Dati Tecnici, al fine di eseguire una corretta selezione del disegno.

(iii) Selezione della modalità

Generalmente, il kit fornisce due modalità di selezione, cioè Modalità Economizzatore e Modalità Aria Fresca.

- Modalità Economizzatore: Assicura un raffreddamento 'naturale' quando la temperatura dell'aria esterna è adatta. Può essere usata singolarmente o insieme al raffreddamento meccanico.
- Modalità Aria Fresca: Fornisce aria fresca minima, per la ventilazione o per requisiti locali.

Nota

Fare riferimento alle linee guida della configurazione dell'hardware fornite nella sezione (D) (v) del capitolo "GUIDA OPERATIVA DEI COMANDI" nel presente manuale per la selezione della modalità.

(iv) Selezione dell'Aria Fresca Minima

Il kit fornisce una selezione dell'aria fresca minima da 0~25%, sia per la modalità di raffreddamento sia per la modalità di riscaldamento. Mentre la modalità dell'economizzatore e la modalità del ventilatore possono fornire massimo fino all'85% di aria fresca.

Nota

Fare riferimento alle linee guida della configurazione dell'hardware fornite nella sezione (D) (v) del capitolo "GUIDA OPERATIVA DEI COMANDI" nel presente manuale per la selezione dell'aria fresca minima.

(v) Funzione di Protezione da Sovraraffreddamento

Ci può essere disagio termico in caso di ambiente freddo a causa dell'apertura dell'ammortizzatore dell'aria esterna. Questa situazione può essere evitata quando la funzione di protezione da sovraraffreddamento è attivata.

Nota

R Fare riferimento alle linee guida della configurazione dell'hardware fornite nella sezione (D) (v) del capitolo "GUIDA OPERATIVA DI CONTROLLO" nel presente manuale per l'impostazione di protezione da sovraraffreddamento.

(vi) Gamma Operativa

La gamma operativa applicabile all'unità con economizzatore è la stessa dell'unità normale. Fare riferimento al capitolo "GAMMA OPERATIVA" nel presente manuale.

Tuttavia, la limitazione dell'apertura dell'aria fresca si verificherà in ambienti alti o ambienti bassi per garantire l'affidabilità dell'unità. Fare riferimento al Registro dei Dati Tecnici per le informazioni dettagliate.



CAUTELA

Le prestazioni si ridurranno ad ambiente alto o ambiente basso, fare riferimento all'articolo (E)(ii).

(vii) Filtro aria opzionale

Dentro l'unità è presente un alloggiamento per filtro da 5 cm. Il filtro opzionale (fornito sul campo) è raccomandato come filtrazione del secondo strato poiché l'apertura del regolatore dell'aria esterna può introdurre polvere e sporco.

F Assistenza e Manutenzione

(i) Manutenzione del filtro

La resistenza del flusso dell'aria può aumentare quando il filtro si sporca. Pertanto, pulire il filtro regolarmente almeno una volta ogni 2 settimane. Il filtro dell'aria nel parapiovia esposto all'ambiente esterno può essere danneggiato da insetti o animali. Sostituire il filtro dell'aria quando è danneggiato.

(ii) Manutenzione del comparto interno

L'apertura del regolatore dell'aria esterna può introdurre ancora polvere e sporco poiché il filtro della cappa non può filtrare completamente le particelle di sporco. Pertanto, il comparto interno deve essere pulito anche durante la manutenzione del filtro.

(iii) Manutenzione del regolatore

Pulire con un panno il regolatore sporco, specialmente il regolatore dell'aria esterna esposto continuamente alle condizioni ambientali.

Nota

Fare riferimento al capitolo "ASSISTENZA E MANUTENZIONE" nel presente manuale.

G Controllo della Richiesta di Ventilazione

- Una tecnica per ridurre il consumo energetico mantenendo un'adeguata qualità dell'aria è la richiesta di ventilazione controllata. Invece di impostare una produzione ad una velocità di riciclo dell'aria fissa, il sensore dell'anidride carbonica (sensore CO₂) viene usato per controllare dinamicamente la velocità, sulla base delle emissioni degli effettivi occupanti dell'edificio.
- Il sensore CO₂ è un componente opzionale, fornito sul campo. Fare riferimento alle informazioni sottostanti per la raccomandazione sulla selezione del sensore CO₂:
 - Tipo: Tipo con bocchetta installata
 - Ingresso potenza: 24 VCC, 50Hz
 - Gamma della temperatura operativa: 0 ~ 52°C
 - Gamma della temperatura ambiente: -15 ~ 52°C
 - Gamma di misurazione: 0 ~ 5000 PPM (in base all'applicazione)
 - Tensione di uscita: 2 ~ 10 VCC
 - Misura fili: AWG18
 - Corrente massima consentita: 7A
 - Standard di conformità: Seguire le disposizioni locali e nazionali
- Il dispositivo di controllo dell'economizzatore dispone di un software integrato pronto all'introduzione del sensore CO₂. È attivato solamente in modalità dell'economizzatore. All'utente è consentito di scegliere la selezione dei diversi valori di soglia attraverso il Dip switch 3. Fare riferimento alle linee guida della configurazione dell'hardware fornite nella sezione (D) (v) del capitolo "GUIDA OPERATIVA DEI COMANDI" nel presente manuale per la selezione del valore di soglia del PPM CO₂.

Ad esempio: Per usare un sensore CO₂ con una gamma di misurazione tra 0 ~ 5000 PPM e un valore di soglia a 1250 PPM, l'utente deve eseguire quanto segue:-

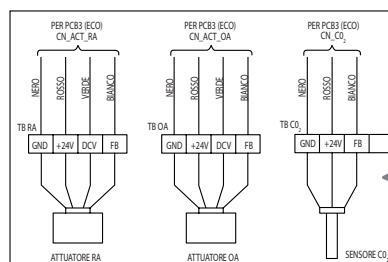
Passaggio 1: Attivare l'SW4 nell'unico Dip Switch della scheda principale del dispositivo di controllo portandolo nella posizione ON (l'impostazione predefinita di fabbrica è sulla posizione OFF).

Passaggio 2: Attivare il parametro G6 del pannello (controllo dell'economizzatore) nel dispositivo di controllo a distanza sulla posizione "1" (ON) (impostazione predefinita di fabbrica è sulla posizione "0" (OFF)).

Passaggio 3: Assicurarsi che l'SW2 sul Dip Switch 4 (scheda di controllo dell'economizzatore) sia in posizione OFF (l'impostazione predefinita di fabbrica è in posizione OFF).

Passaggio 4: Attivare l'SW1 sul Dip Switch 3 (scheda di controllo dell'economizzatore) in posizione ON (l'impostazione predefinita di fabbrica è in posizione OFF).
{L'SW1 nel Dip Switch 3 = 25%, dal calcolo significa il 25% di 5000 PPM o pari a 1250 PPM}.
- Se il sensore CO₂ è esposto all'ambiente esterno, coprire il sensore con una scatola anti schizzi (IPX4) comprensiva di viti per il meccanismo di chiusura o utilizzare un metodo equivalente per evitare che l'acqua entri nel sensore CO₂ e per evitare inoltre il possibile contattato con il sensore. Il collegamento del sensore CO₂ è considerato una parte SOTTO TENSIONE.
- Collegare quindi il filo dal sensore CO₂ alla cassetta di giunzione nel comparto interno dell'unità. Sono presenti tre fili sul sensore CO₂. Collegare i fili nel seguente modo:

- Filo del sistema a terra - collegare al primo polo del blocco terminale con etichetta "GND".
 - Filo sotto tensione +24VDC - collegare al secondo polo del blocco terminale con etichetta "+24V".
 - Filo con segnale di uscita/ feedback - collegare al terzo polo del blocco terminale con etichetta "FB".
- (È possibile fare riferimento al diagramma adesivo dei fili, situato sul coperchio anteriore della cassetta di giunzione.)

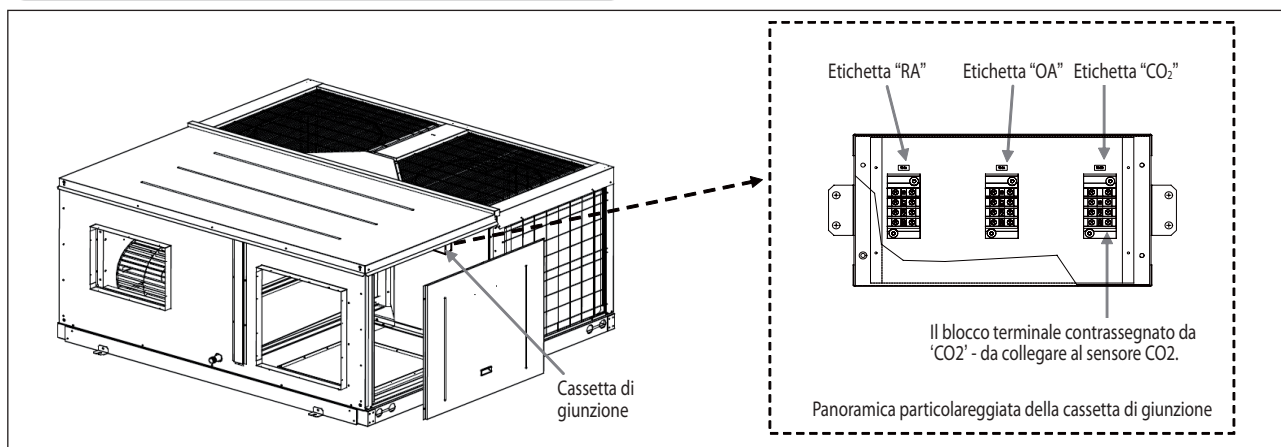


Il diagramma adesivo dei fili sul coperchio anteriore della cassetta di giunzione



CAUTELA

Un collegamento dei fili sbagliato può causare il malfunzionamento sul sensore CO₂ o sulla scheda di controllo dell'economizzatore o su entrambi. Legare i fili con gli appositi lacci disinnestabili sotto la cassetta di giunzione.



(i) Limitazione del Kit dell'Economizzatore Nel Controllo del Termostato

Il controllo del termostato è usato con il dispositivo di controllo di terzi e pertanto la temperatura impostata di una specifica applicazione non può essere conosciuta. In questo caso, si raccomanda di usare il dispositivo di controllo a distanza per definire la temperatura impostata prima di eseguire la configurazione dell'hardware per il controllo del termostato.

Nota

Fare riferimento alle linee guida della configurazione dell'hardware fornite nella sezione (D) (v) del capitolo "GUIDA OPERATIVA DEI COMANDI" nel presente manuale per la selezione della modalità.

(ii) Necessario Per la Riduzione della Pressione

La presenza di aria fresca può causare una pressione più elevata nella stanza e un disagio per gli utenti. In base alla necessità, si raccomanda di installare un regolatore di riduzione della pressione nel canale di ritorno.

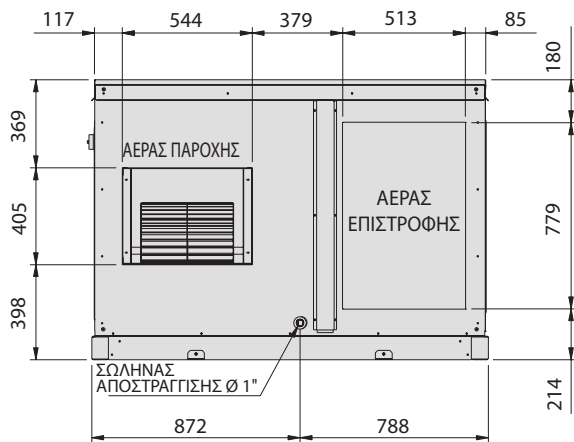
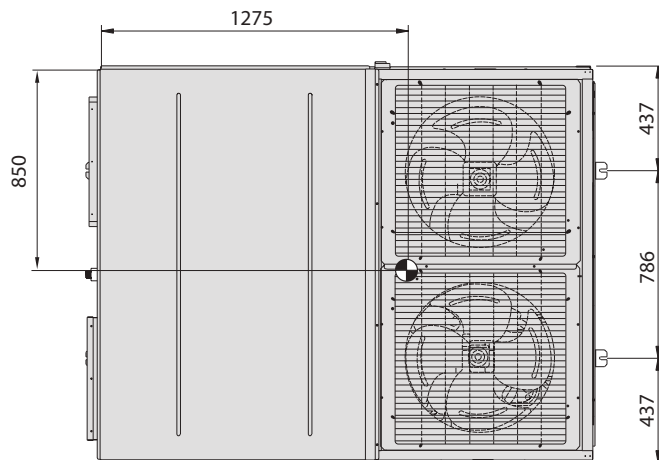
Nota

Fare riferimento al Registro dei Dati Tecnici per le informazioni dettagliate sul regolatore di riduzione della pressione.

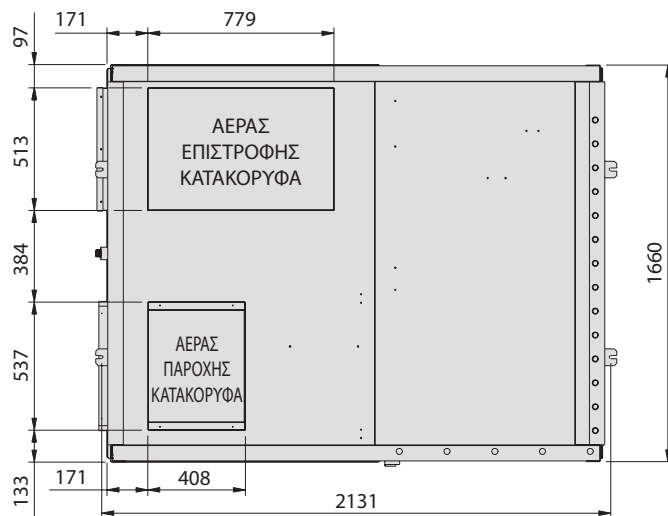
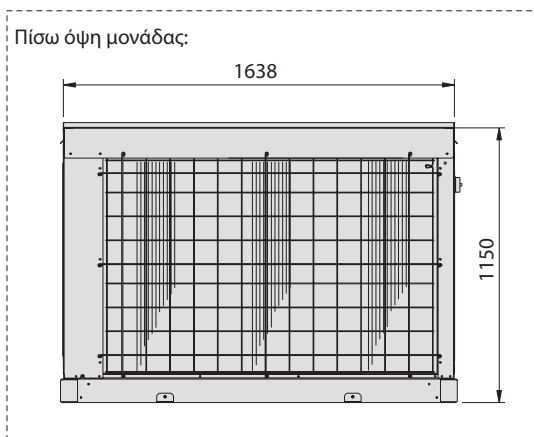
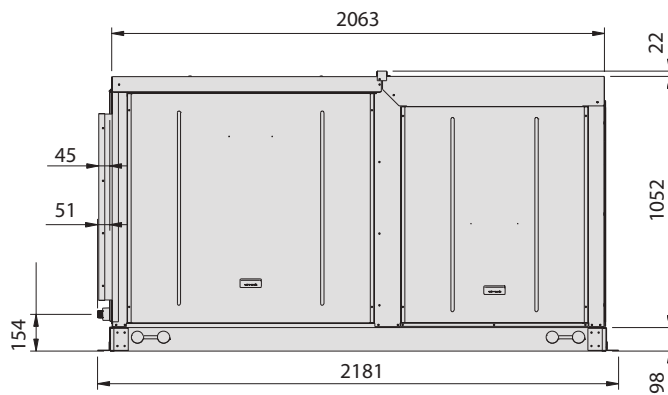
ΠΕΡΙΓΡΑΦΑ ΚΑΙ ΔΙΑΣΤΑΣΕΙΣ

Μοντέλο: UATYQ250

Όλες οι διαστάσεις είναι σε mm



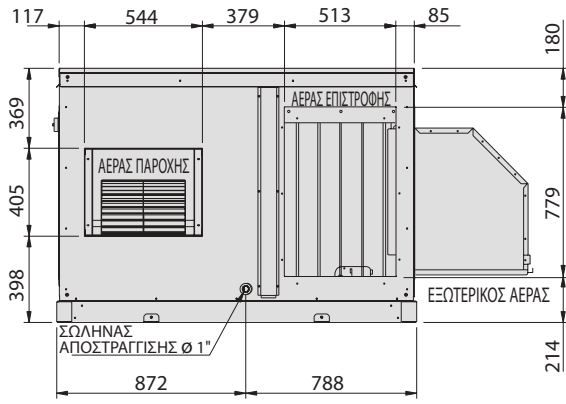
ΓΙΑ ΟΡΙΖΟΝΤΙΑ ΚΑΤΑΘΛΙΨΗ



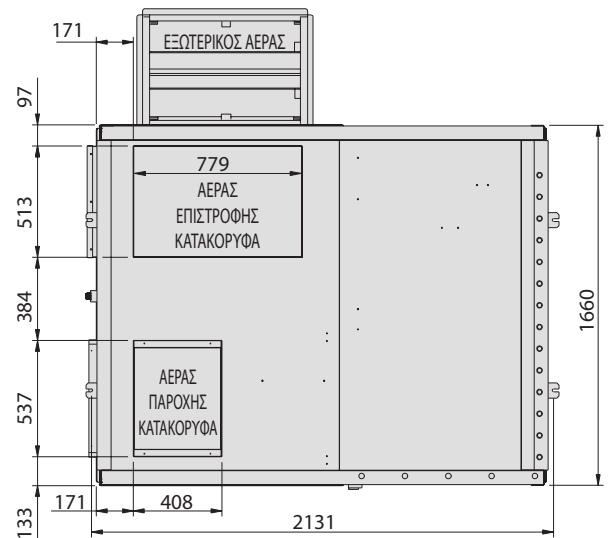
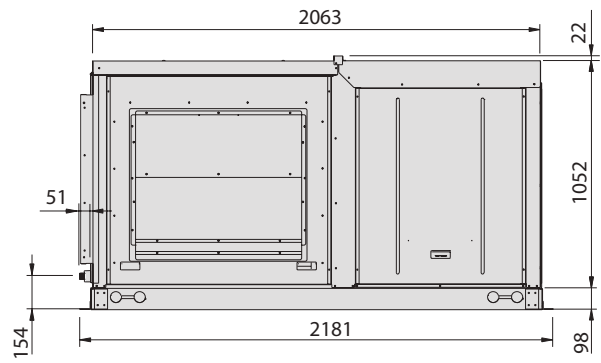
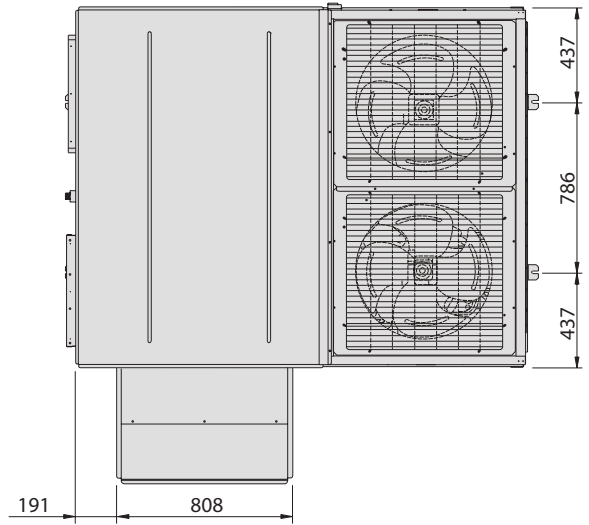
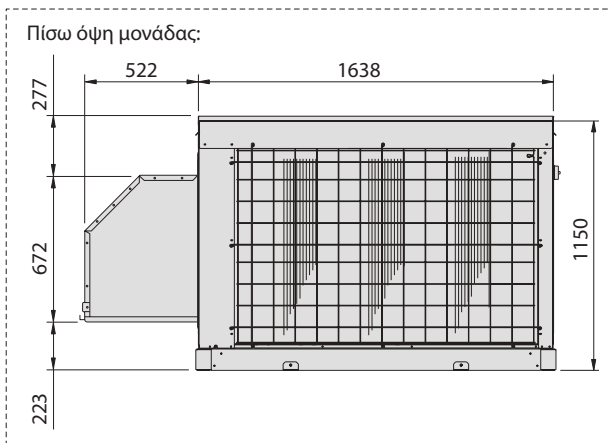
ΜΕ ΚΑΤΑΚΟΡΥΦΗ ΕΞΑΓΩΓΗ

Μοντέλο: ΥΑΥΤQ250 ΜΕ ΕΠΙΛΟΓΗ ΕΞΟΙΚΟΝΟΜΗΣΗΣ

Όλες οι διαστάσεις είναι σε mm

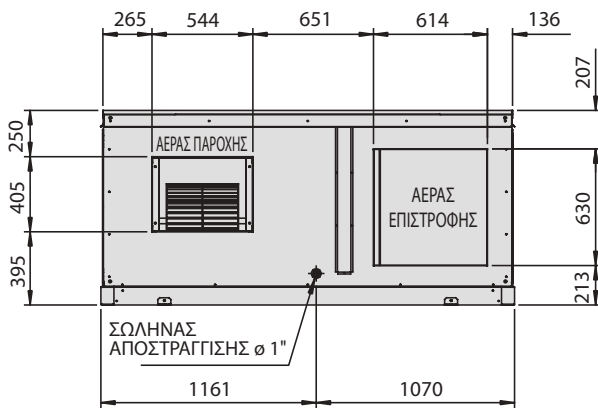
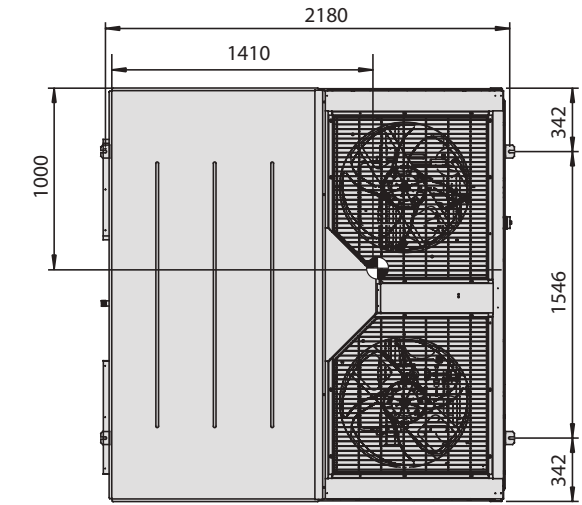


ΓΙΑ ΟΡΙΖΟΝΤΙΑ ΚΑΤΑΘΛΙΨΗ

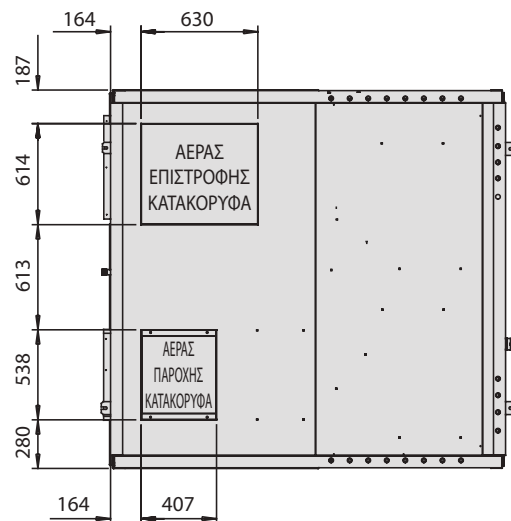
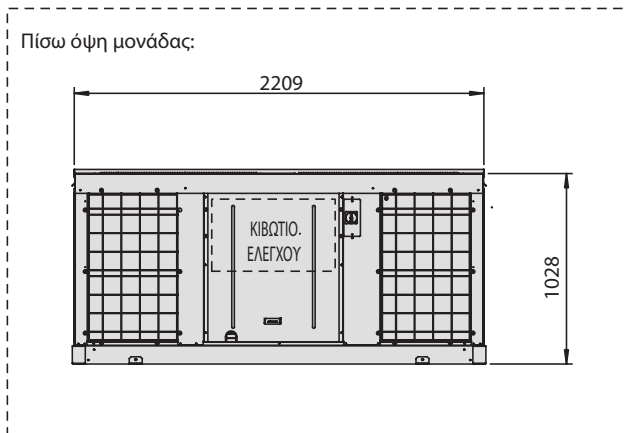
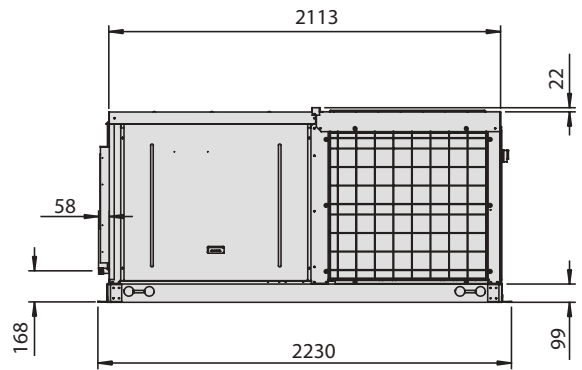


ΜΕ ΚΑΤΑΚΟΡΥΦΗ ΕΞΑΓΩΓΗ

Όλες οι διαστάσεις είναι σε mm



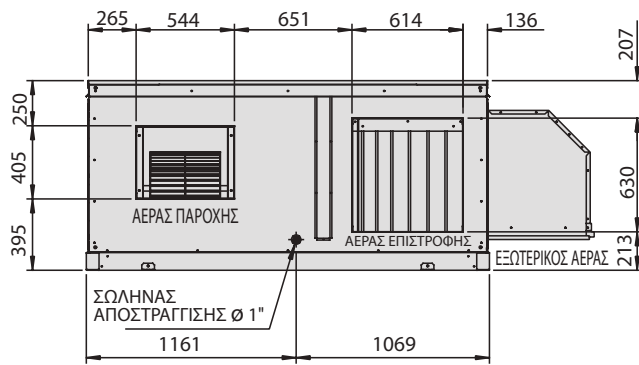
ΓΙΑ ΟΡΙΖΟΝΤΙΑ ΚΑΤΑΘΛΙΨΗ



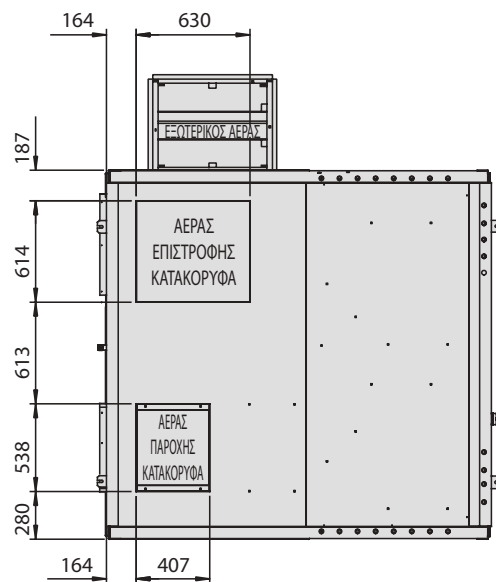
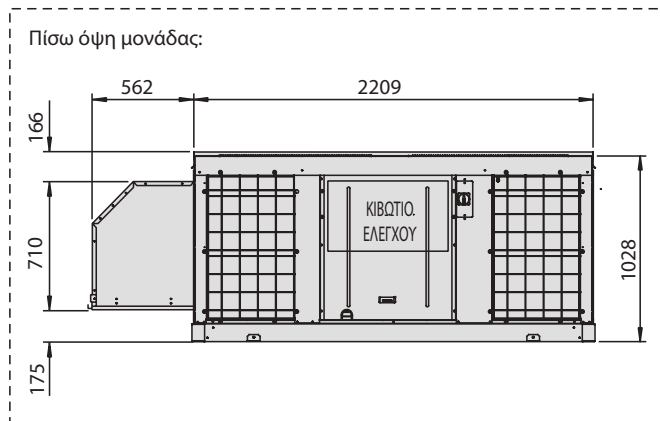
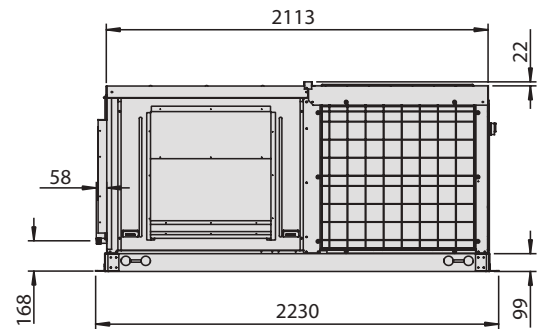
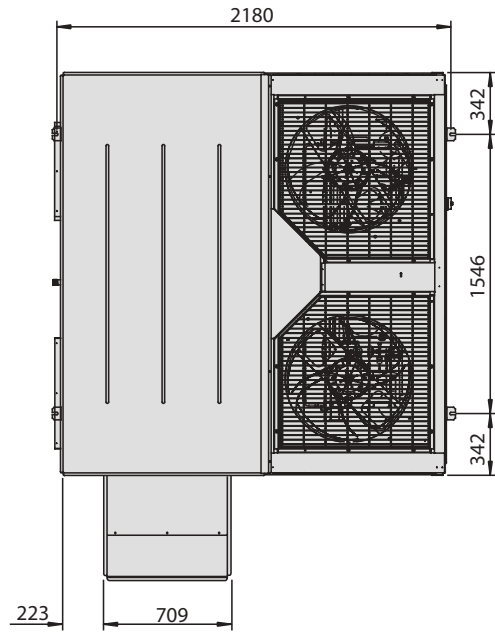
ΜΕ ΚΑΤΑΚΟΡΥΦΗ ΕΞΑΓΩΓΗ

Μοντέλο: ΥΑΥΤQ350 ΜΕ ΕΠΙΛΟΓΗ ΕΞΟΙΚΟΝΟΜΗΣΗΣ

Όλες οι διαστάσεις είναι σε mm

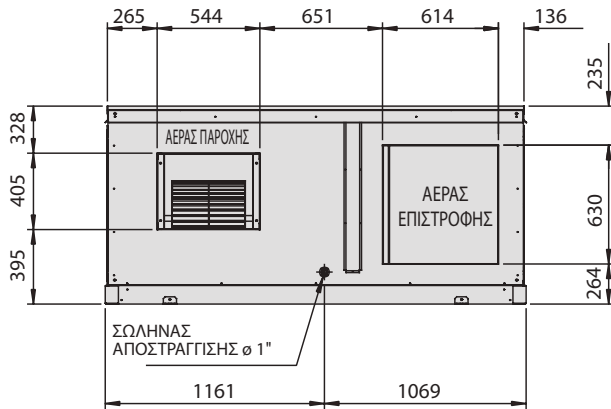


ΓΙΑ ΟΡΙΖΟΝΤΙΑ ΚΑΤΑΘΛΙΨΗ

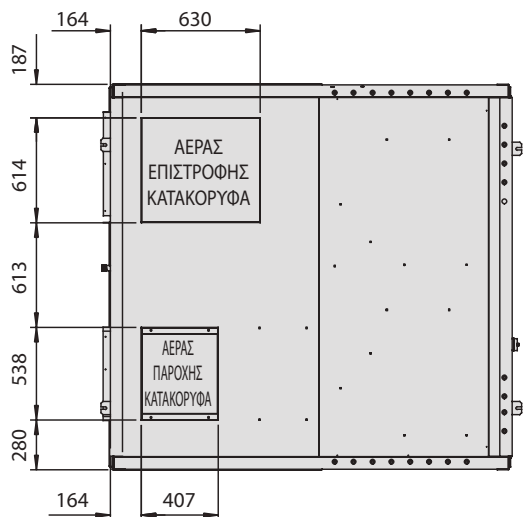
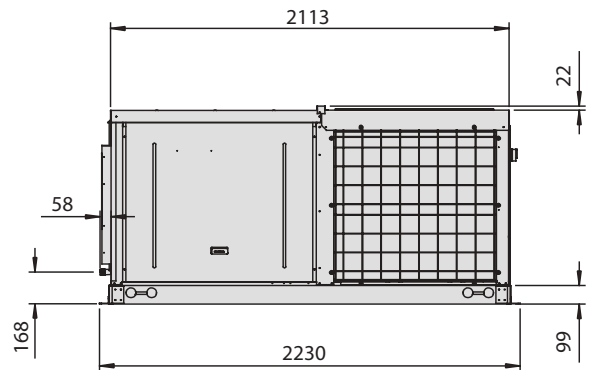
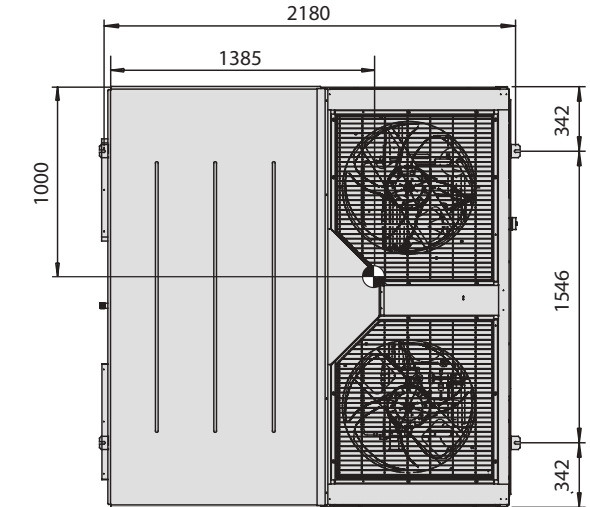
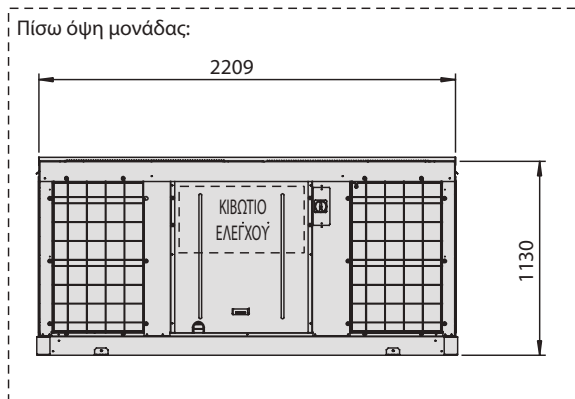


ΜΕ ΚΑΤΑΚΟΡΥΦΗ ΕΞΑΓΩΓΗ

Όλες οι διαστάσεις είναι σε mm



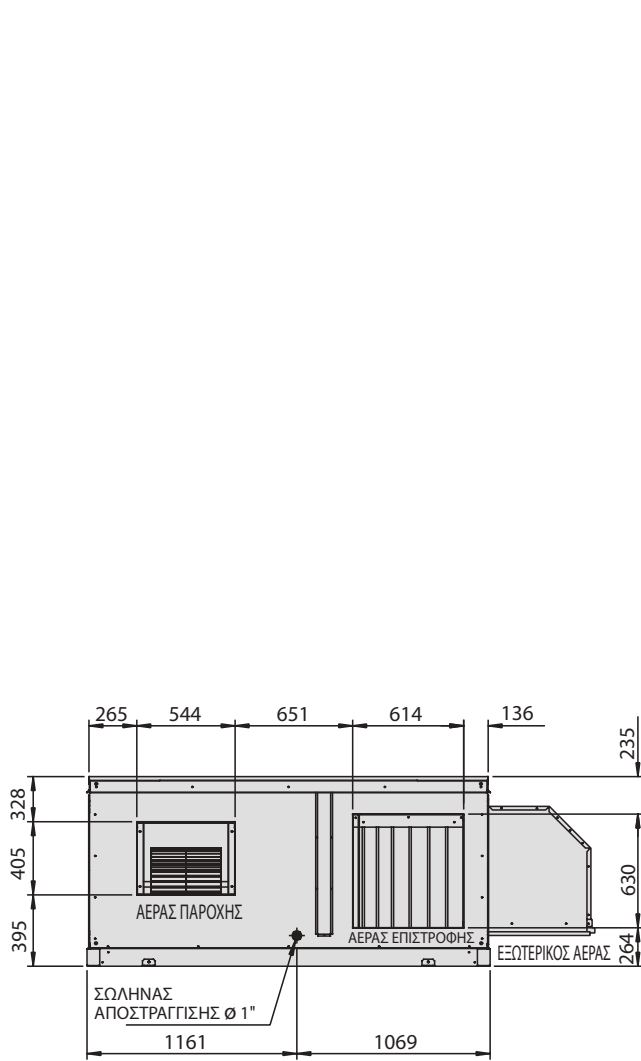
ΓΙΑ ΟΡΙΖΟΝΤΙΑ ΚΑΤΑΘΛΙΨΗ



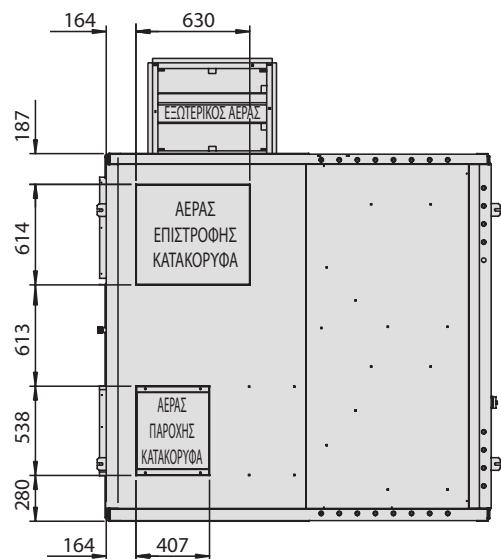
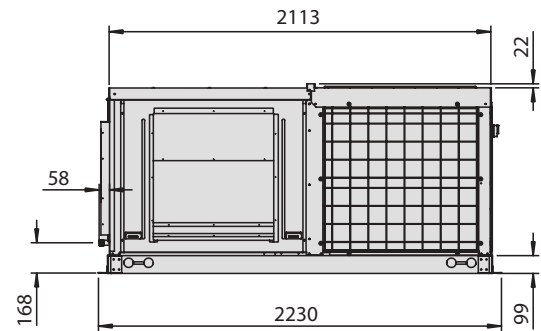
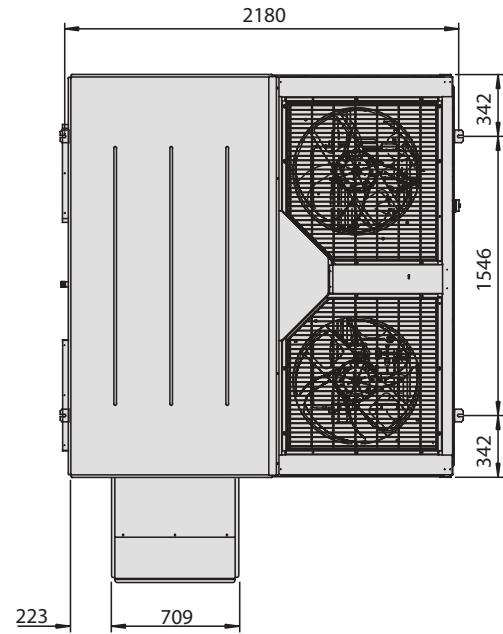
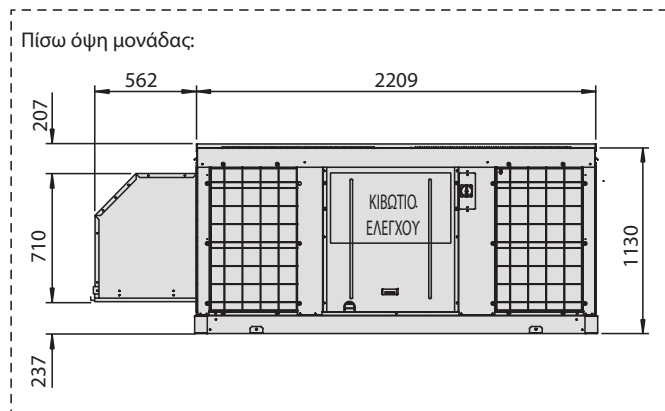
ΜΕ ΚΑΤΑΚΟΡΥΦΗ ΕΞΑΓΩΓΗ

Μοντέλο: UAΥQ450 ΜΕ ΕΠΙΛΟΓΗ ΕΞΟΙΚΟΝΟΜΗΣΗΣ

Όλες οι διαστάσεις είναι σε mm

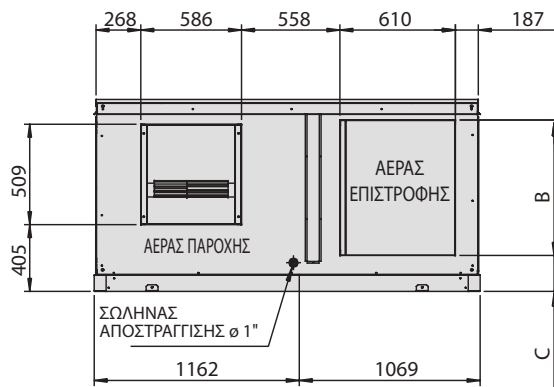
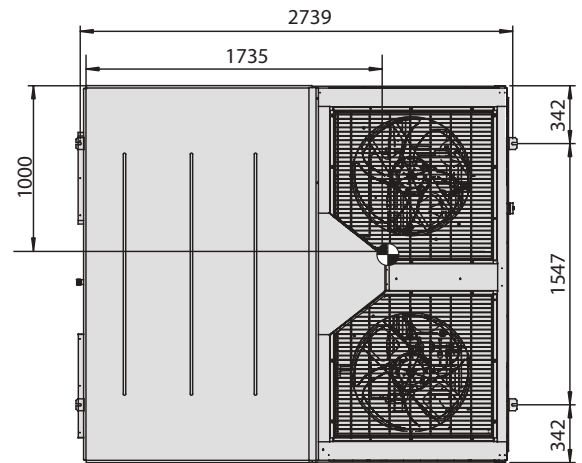


ΓΙΑ ΟΡΙΖΟΝΤΙΑ ΚΑΤΑΘΛΙΨΗ

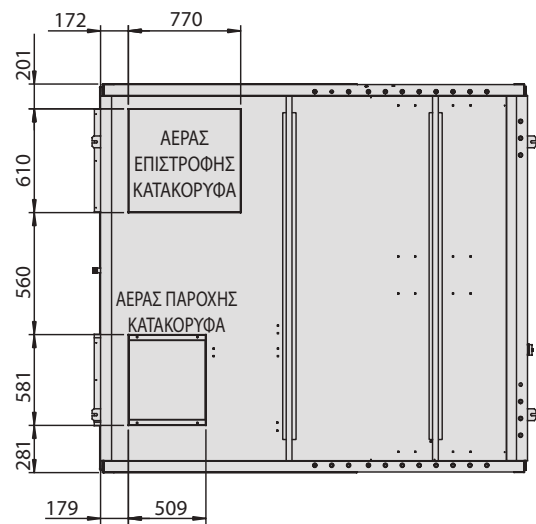
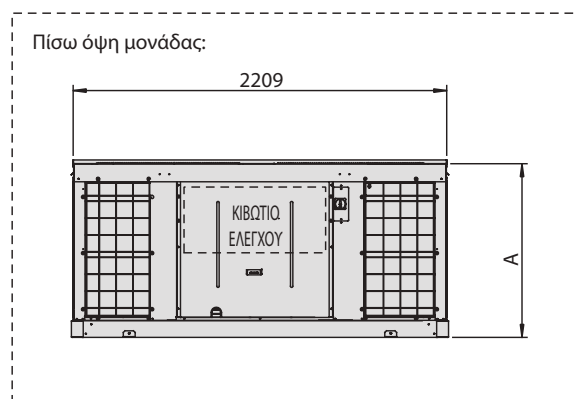
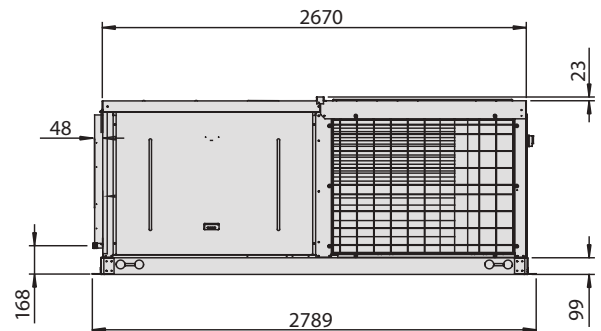


ΜΕ ΚΑΤΑΚΟΡΥΦΗ ΕΞΑΓΩΓΗ

Όλες οι διαστάσεις είναι σε mm



ΓΙΑ ΟΡΙΖΟΝΤΙΑ ΚΑΤΑΘΛΙΨΗ

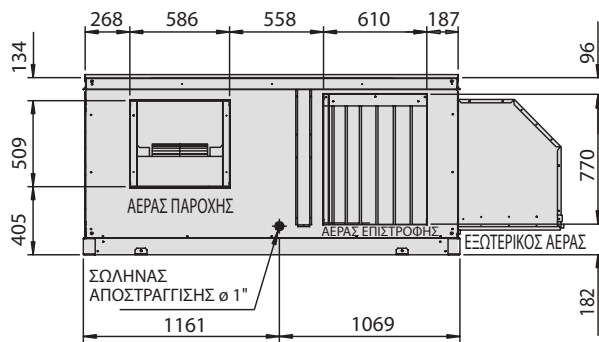


ΜΕ ΚΑΤΑΚΟΡΥΦΗ ΕΞΑΓΩΓΗ

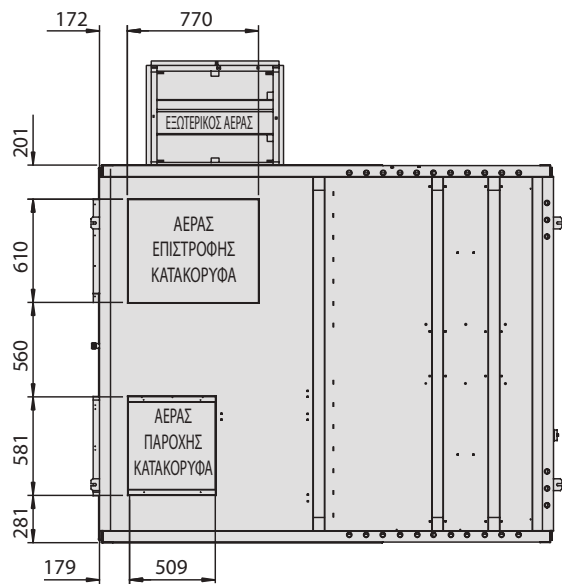
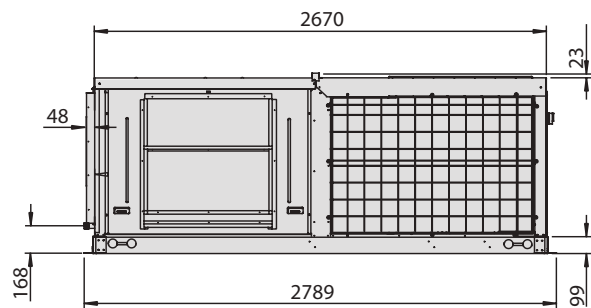
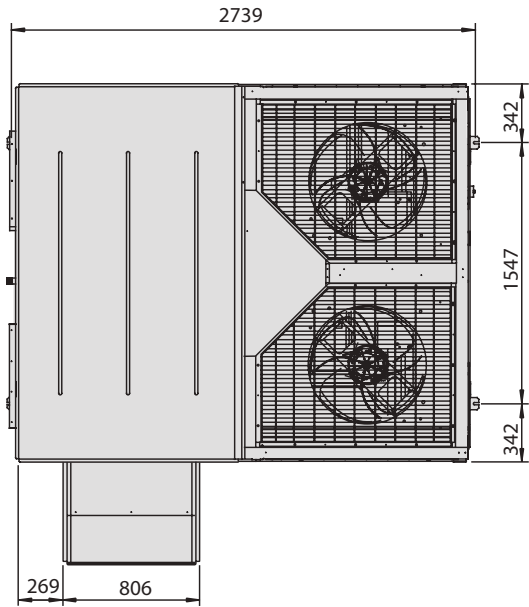
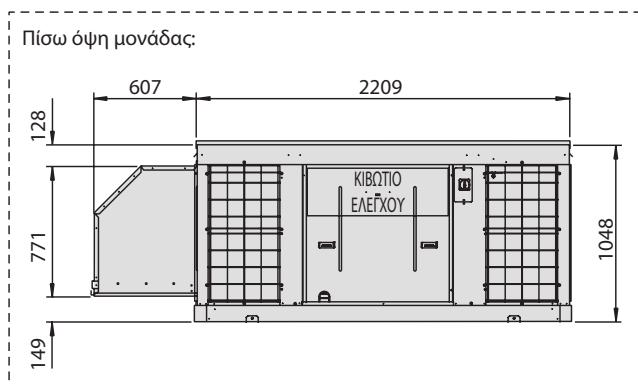
Μοντέλο (UATYQ)	550	600	700	900
A	1048	1302	1454	1454
B	770	770	1176	1176
C	182	322	182	182

Μοντέλο: ΥΑΤΥQ550 ΜΕ ΕΠΙΛΟΓΗ ΕΞΟΙΚΟΝΟΜΗΣΗΣ

Όλες οι διαστάσεις είναι σε mm



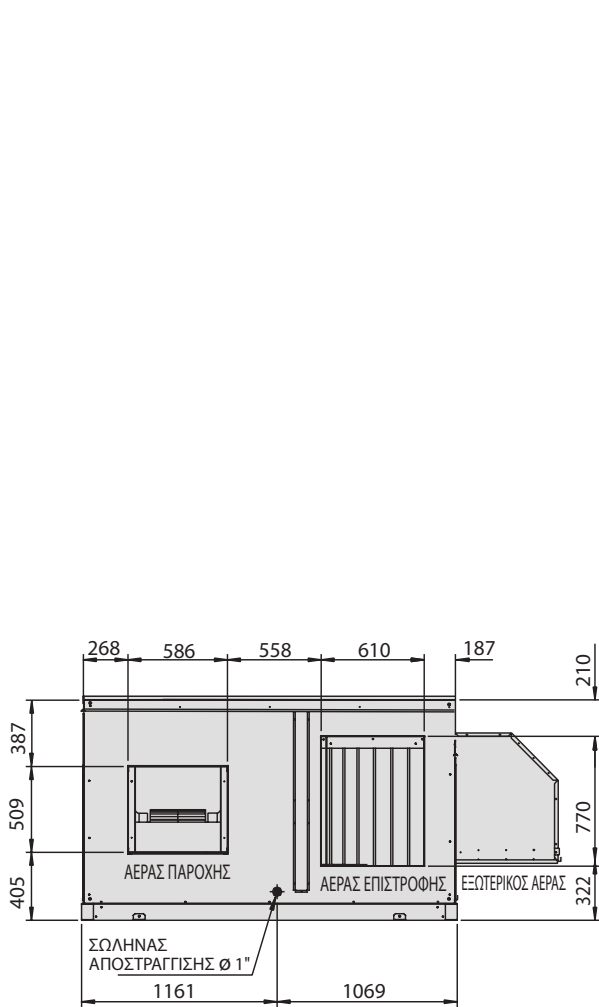
ΓΙΑ ΟΡΙΖΟΝΤΙΑ ΚΑΤΑΘΛΙΨΗ



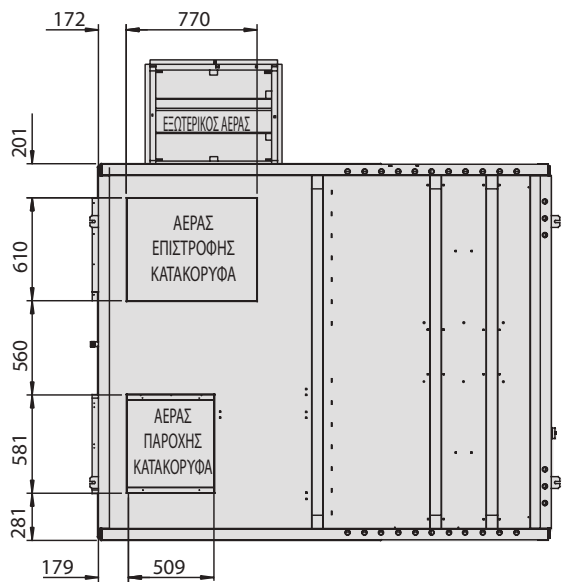
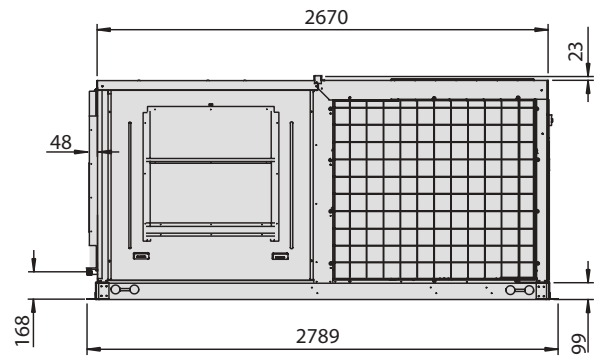
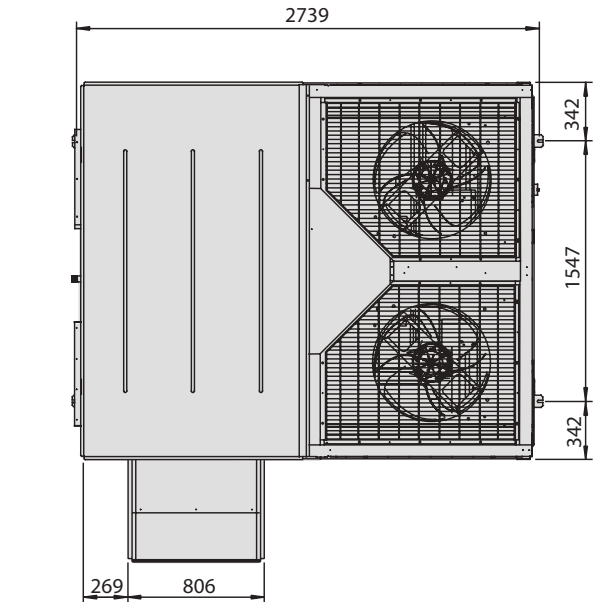
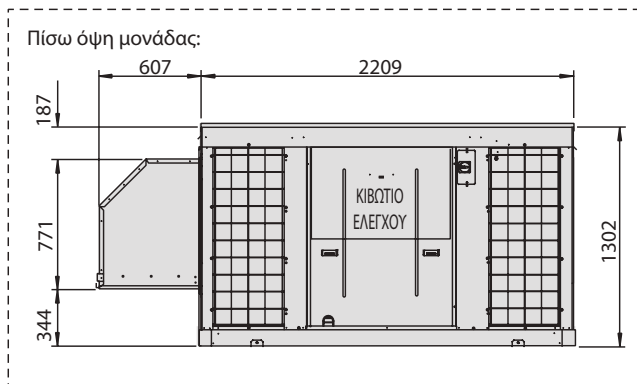
ΜΕ ΚΑΤΑΚΟΡΥΦΗ ΕΞΑΓΩΓΗ

Μοντέλο: UATYQ600 ΜΕ ΕΠΙΛΟΓΗ ΕΞΟΙΚΟΝΟΜΗΣΗΣ

Όλες οι διαστάσεις είναι σε mm



ΓΙΑ ΟΡΙΖΟΝΤΙΑ ΚΑΤΑΘΛΙΨΗ

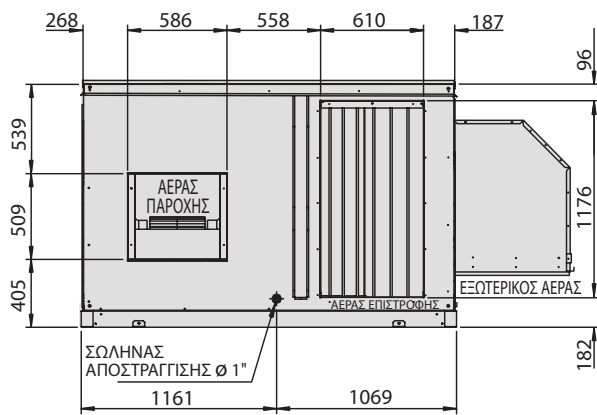
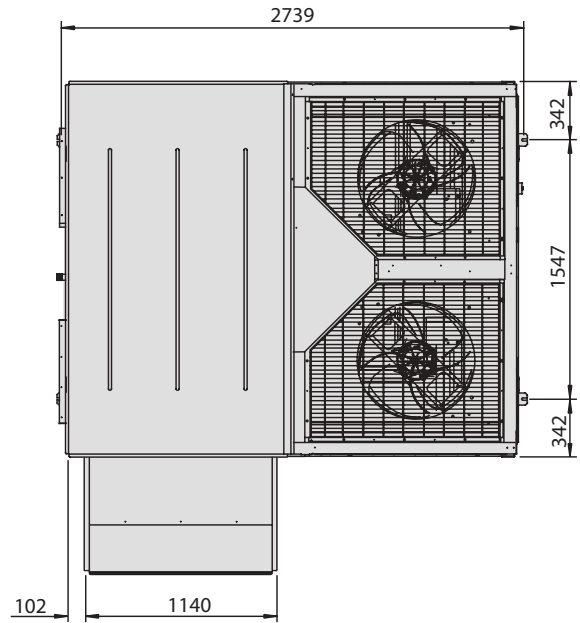


ΜΕ ΚΑΤΑΚΟΡΥΦΗ ΕΞΑΓΩΓΗ

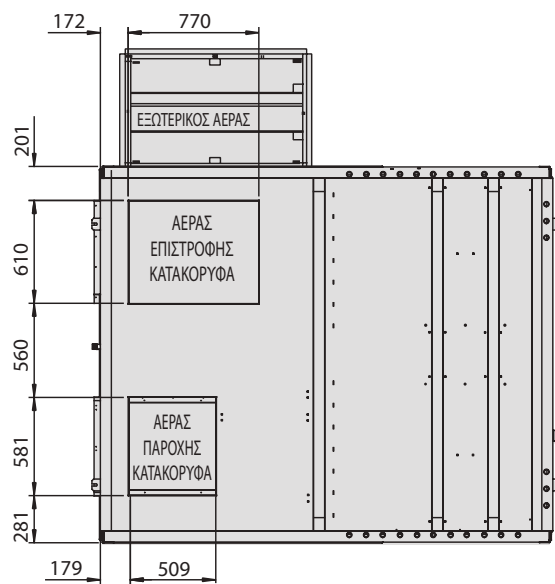
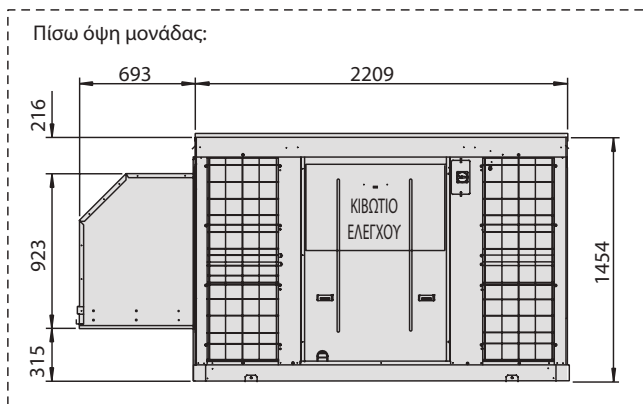
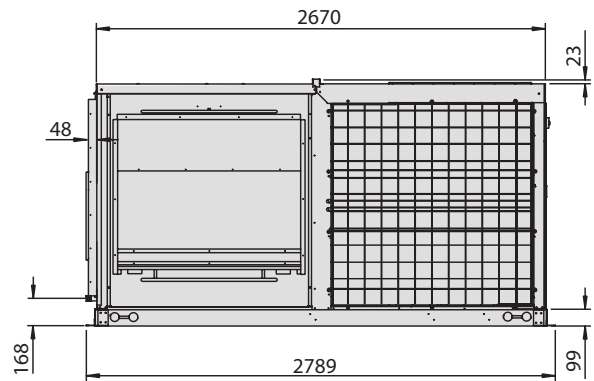
ΕΛΛΗΝΙΚΑ

Μοντέλο: ΥΑΤΥQ700 ΜΕ ΕΠΙΛΟΓΗ ΕΞΟΙΚΟΝΟΜΗΣΗΣ

Όλες οι διαστάσεις είναι σε mm



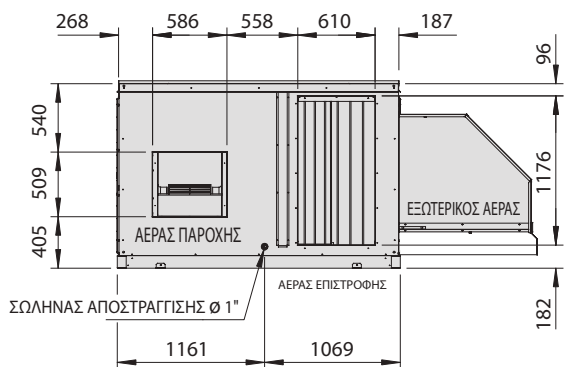
ΓΙΑ ΟΡΙΖΟΝΤΙΑ ΚΑΤΑΘΛΙΨΗ



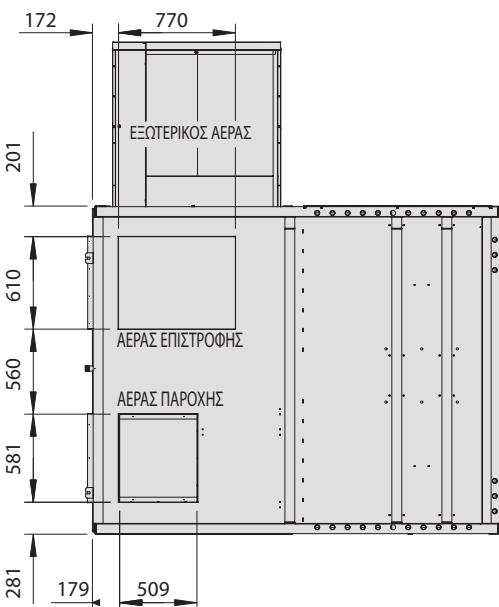
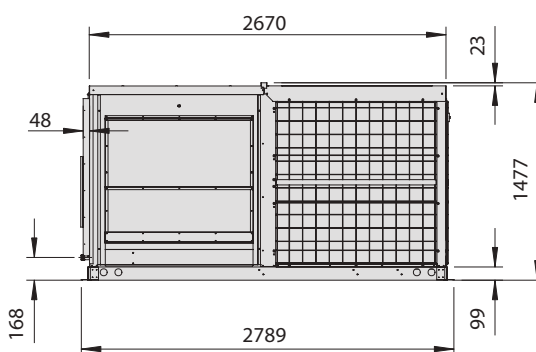
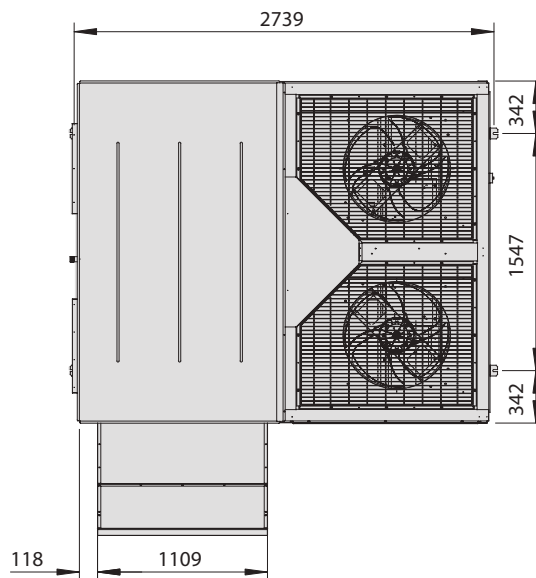
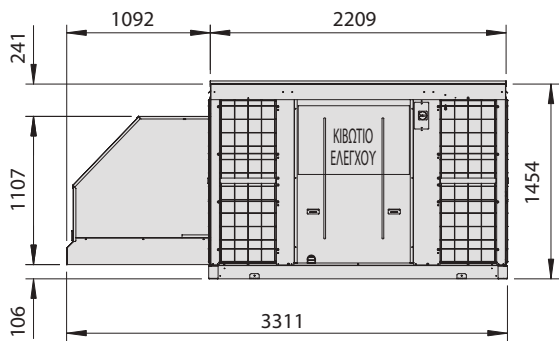
ΜΕ ΚΑΤΑΚΟΡΥΦΗ ΕΞΑΓΩΓΗ

Μοντέλο: ΥΑΤΥQ900 ΜΕ ΕΠΙΛΟΓΗ ΕΞΟΙΚΟΝΟΜΗΣΗΣ

Όλες οι διαστάσεις είναι σε mm



ΓΙΑ ΟΡΙΖΟΝΤΙΑ ΚΑΤΑΘΛΙΨΗ



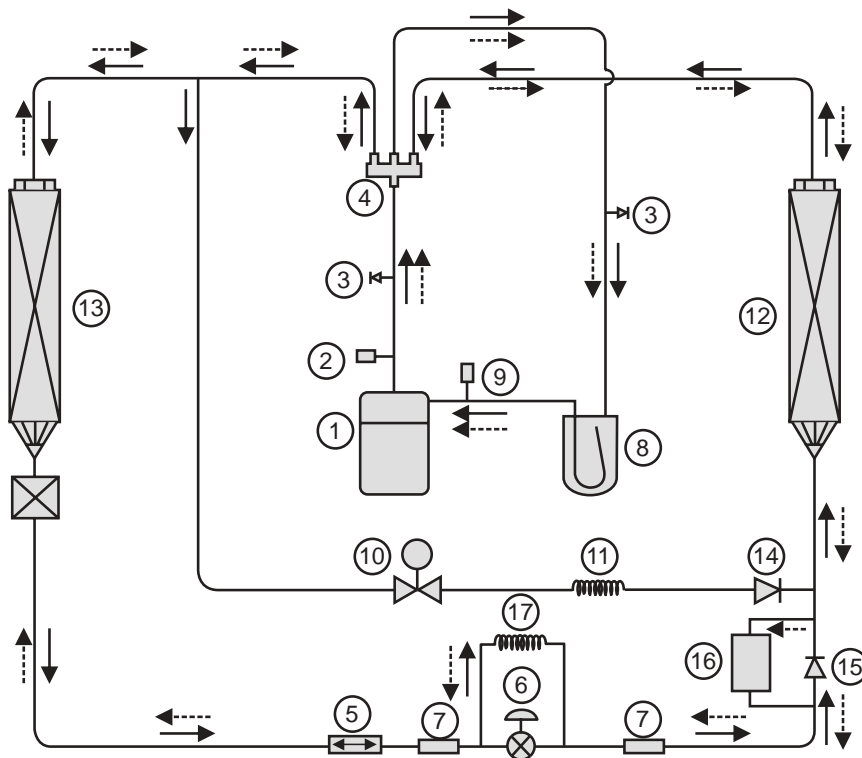
ΜΕ ΚΑΤΑΚΟΡΥΦΗ ΕΞΑΓΩΓΗ

ΔΙΑΓΡΑΜΜΑ ΚΥΚΛΩΜΑΤΟΣ ΨΥΚΤΙΚΟΥ ΜΕΣΟΥ

Μοντέλο: UATYQ 250, 350, 450, 550, 600, 700 & 900

→	Λειτουργία ψύξης
←-----	Λειτουργία θέρμανσης

Αρ.	Περιγραφή εξαρτήματος
①	Συμπιεστής
②	Διακόπτης υψηλής πίεσης
③	Βαλβίδα πρόσβασης
④	4-οδη βαλβίδα
⑤	Στεγνωτήρας φίλτρου
⑥	Ηλεκτρονική βαλβίδα εκτόνωσης
⑦	Σήτα
⑧	Συσσωρευτής
⑨	Διακόπτης χαμηλής πίεσης
⑩	Ηλεκτρομαγν. βαλβ.
⑪	Τριχοειδής σωλήνας παράκαμψης
⑫	Εσωτ. εναλλ. θερμ. (I/D)
⑬	Εξωτ. εναλλ. θερμ. (O/D)
⑭	Ελέγξτε τη Βαλβίδα 1
⑮	Ελέγξτε τη Βαλβίδα 2
⑯	Αντισταθμιστής
⑰	Τριχοειδής σωλήνας



- Σημείωση:**
- (α) Η μονάδα UATYQ350, 450, 550, 600, 700 & 900 αποτελείται από 2 κυκλώματα στο σύστημα.
 - (β) Τα στοιχεία υπ" αριθ. 15 & 16 μπορούν να εφαρμοστούν μόνο για το UATYQ350.
 - (γ) Τα στοιχεία υπ" αριθ. 17 μπορούν να εφαρμοστούν μόνο για το UATYQ700 & UATYQ900.

ΕΓΧΕΙΡΙΔΙΟ ΕΓΚΑΤΑΣΤΑΣΗΣ

Αυτό το εγχειρίδιο παρέχει τις διαδικασίες της εγκατάστασης για να εξασφαλίσει ένα ασφαλές και καλό πρότυπο λειτουργίας για τη μονάδα του κλιματιστικού.

Ειδική ρύθμιση μπορεί να είναι απαραίτητο να ανταποκρίνονται στις τοπικές ανάγκες.

Πριν από τη χρήση του κλιματιστικού σας, διαβάστε το παρόν εγχειρίδιο οδηγιών προσεκτικά και φυλάξτε το για μελλοντική αναφορά.

Αυτή η συσκευή προορίζεται να χρησιμοποιηθεί από τον εμπειρογνώμονα ή εκπαιδευμένους χρήστες σε καταστήματα, στην ελαφρά βιομηχανία και στις γεωργικές εκμεταλλεύσεις, είτε για εμπορική χρήση από απλούς ανθρώπους.

Αυτή η συσκευή δεν προορίζεται για χρήση από άτομα, συμπεριλαμβανομένων των παιδιών, με μειωμένες σωματικές, αισθητηριακές ή διανοητικές ικανότητες, ή έλλειψη εμπειρίας και γνώσης, εκτός και αν έχουν επιτήρηση ή οδηγίες σχετικά με τη χρήση της συσκευής από άτομο υπεύθυνο για την ασφάλειά τους.

Παιδιά πρέπει να επιτηρούνται για να εξασφαλιστεί ότι δεν παίζουν με τη συσκευή.

ΠΡΟΦΥΛΑΞΕΙΣ ΑΣΦΑΛΕΙΑΣ

ΣΗΜΑΝΤΙΚΟ

Σημαντικές πληροφορίες σχετικά με το χρησιμοποιούμενο ψυκτικό μέσο

Αυτό το προϊόν περιέχει φθοριούχα αέρια θερμοκηπίου, τα οποία καλύπτονται από το Πρωτόκολλο του Κιότο. Μην απορρίπτετε αέρια στην ατμόσφαιρα.

Τύπος ψυκτικού μέσου: R410A

Τιμή GWP ⁽¹⁾: 2087,5

⁽¹⁾ GWP = δυναμικό πλανητικής αύξησης της θερμοκρασίας. Η ποσότητα του ψυκτικού μέσου αναγράφεται στην πινακίδα τύπου της μονάδας. Ενδέχεται να απαιτούνται περιοδικοί έλεγχοι για τυχόν διαρροές ψυκτικού μέσου βάσει της ευρωπαϊκής ή της τοπικής νομοθεσίας. Επικοινωνήστε με τον τοπικό αντιπρόσωπο για περισσότερες πληροφορίες.

ΕΙΔΟΠΟΙΗΣΗ

Στην Ευρώπη, οι **εκπομπές αερίων θερμοκηπίου** της συνολικής ποσότητας πλήρωσης ψυκτικού στο σύστημα (εκφρασμένες σε τόνους ισοδύναμου CO₂) χρησιμοποιούνται για τον προσδιορισμό των διαστημάτων συντήρησης. Τηρείτε την ισχύουσα νομοθεσία.

Μαθηματικός τύπος για τον υπολογισμό των εκπομπών αερίων θερμοκηπίου:

Τιμή GWP του ψυκτικού x Συνολική ποσότητα πλήρωσης ψυκτικού [σε κιλά] / 1000







ΠΡΟΕΙΔΟΠΟΙΗΣΗ

- Η εγκατάσταση και η συντήρηση θα πρέπει να εκτελείται από εξειδικευμένα άτομα που γνωρίζουν τον τοπικό κώδικα και τους κανονισμούς, και έχουν πείρα με τέτοιου είδους συσκευές.
- Όλες οι επί τόπου καλωδιώσεις πρέπει να εγκαθίστανται σύμφωνα με τον εθνικό κανονισμό καλωδίωσης.
- Βεβαιωθείτε ότι η ονομαστική τάση τροφοδοσίας της μονάδας αντιστοιχεί σε αυτήν που αναγράφεται στην πινακίδα τύπου, πριν αρχίσετε την καλωδίωση σύμφωνα με το διάγραμμα συνδεσμολογίας.
- Η μονάδα πρέπει να ΓΕΙΩΝΕΤΑΙ προκειμένου να αποφευχθεί τυχόν κίνδυνος λόγω αστοχίας της μόνωσης.
- Απαγορεύεται να έλθει η ηλεκτρική καλωδίωση σε επαφή με τη σωλήνωση ψυκτικού μέσου ή οποιαδήποτε κινούμενα μέρη των μοτέρ ανεμιστήρων.
- Βεβαιωθείτε ότι η μονάδα είναι ΑΠΕΝΕΡΓΟΠΟΙΗΜΕΝΗ πριν την εγκαταστήσετε ή την συντηρήσετε.
- Αποσυνδέστε τη μονάδα κλιματισμού από το δίκτυο ηλεκτρικής τροφοδοσίας πριν εκτελέσετε σέρβις σε αυτήν.
- ΜΗΝ τραβάτε το καλώδιο ρεύματος ενόσω η τροφοδοσία είναι ΕΝΕΡΓΟΠΟΙΗΜΕΝΗ. Κάτι τέτοιο μπορεί να προκαλέσει σοβαρές ηλεκτρικές εκκένωσεις με κίνδυνο πυρκαγιάς.
- Τοποθετήστε τις μονάδες κλιματισμού, το καλώδιο ρεύματος και την καλωδίωση σηματοδότησης σε απόσταση 1 m τουλάχιστον από τηλεοράσεις και ραδιόφωνα, για να αποφύγετε την παραμόρφωση της εικόνας ή θόρυβο στον ήχο. (Ανάλογα με τον τύπο και την πηγή των ηλεκτρικών κυμάτων ενδέχεται να ακούγεται θόρυβος ακόμα και σε απόσταση μεγαλύτερη από 1 m).
- Ο εξοπλισμός δεν προορίζεται για χρήση σε δυνητικά εκρηκτική ατμόσφαιρα.



ΠΡΟΣΟΧΗ

Κατά την εγκατάσταση, λάβετε υπόψη τις παρακάτω σημαντικές παρατηρήσεις.

- **Μην εγκαθιστάτε τη μονάδα σε σημεία όπου ενδέχεται να σημειωθεί διαρροή εύφλεκτου αερίου.**
 Αν κάποιο αέριο διαρρεύσει και συσσωρευτεί γύρω από τη μονάδα, μπορεί να προκληθεί ανάφλεξη.
- **Βεβαιωθείτε ότι η σωλήνωση αποστράγγισης είναι συνδεδεμένη σωστά.**
 Αν η σωλήνωση αποστράγγισης δεν είναι συνδεδεμένη σωστά, ενδέχεται να εκρεύσει νερό.
- **Μην γεμίζετε υπερβολικά τη μονάδα.**
 Η πλήρωση της μονάδας έχει γίνει στο εργοστάσιο. Τυχόν υπερβολική πλήρωση θα προκαλέσει υπερένταση ή ζημιά στο συμπιεστή.
- **Βεβαιωθείτε ότι το πάνελ της μονάδας είναι κλειστό μετά το σέρβις ή την εγκατάσταση.**
 Αστερέωτα πάνελ θα προκαλέσουν θορυβώδη λειτουργία της μονάδας.
- **Οι αιχμηρές άκρες και οι επιφάνειες των σερπαντίνων είναι σημεία που κρύβουν κινδύνους τραυματισμού.**
Αποφύγετε την επαφή με τα σημεία αυτά.
- **Πριν απενεργοποιήσετε την τροφοδοσία, θέστε το διακόπτη ON/OFF (ΕΝΕΡΓΟΠΟΙΗΣΗΣ/ ΑΠΕΝΕΡΓΟΠΟΙΗΣΗΣ) του τηλεχειριστηρίου στη θέση "OFF" (ΑΠΕΝΕΡΓΟΠΟΙΗΣΗ) για να αποφύγετε το ενδεχόμενο ακούσιας ενεργοποίησης της μονάδας.** Σε διαφορετική περίπτωση, οι ανεμιστήρες της μονάδας θα αρχίσουν να λειτουργούν αυτόματα μόλις αποκατασταθεί η τροφοδοσία, γεγονός που εκθέτει το προσωπικό του σέρβις ή το χρήστη σε κινδύνους.
- **Μην χρησιμοποιείτε συσκευές θέρμανσης πολύ κοντά στη μονάδα κλιματισμού.**
- **Μην χρησιμοποιείτε ενωμένα και συνεστραμμένα καλώδια για την τροφοδοσία.**

Απαίτηση Απόρριψης :

Η αποσυναρμολόγηση της μονάδας, η επεξεργασία του ψυκτικού, λάδι και άλλα μέρη πρέπει να γίνουν σύμφωνα με την ισχύουσα νομοθεσία.

ΕΓΚΑΤΑΣΤΑΣΗ ΤΗΣ ΜΟΝΑΔΑΣ

A Θέση εγκατάστασης

- Εγκαταστήστε τη μονάδα κατά τέτοιο τρόπο ώστε ο αέρας που εξέρχεται από τη μονάδα να μην μπορεί να αναρροφάται πάλι (αυτή είναι η περίπτωση του κλειστού κύκλου του αέρα κατάθλιψης). Αφήστε γύρω από τη μονάδα αρκετό χώρο για τη συντήρησή.
- Αν σε κάποια θέση εγκατασταθούν δύο ή περισσότερες μονάδες, πρέπει να τοποθετηθούν κατά τέτοιο τρόπο, ώστε μία μονάδα να μην αναρροφά τον αέρα κατάθλιψης της άλλης.
- Βεβαιωθείτε ότι δεν εμποδίζεται η ροή του εξερχόμενου ή του εισερχόμενου αέρα της μονάδας. Αφαιρέστε τυχόν αντικείμενα που εμποδίζουν την αναρρόφηση ή την κατάθλιψη του αέρα.
- Ο χώρος εγκατάστασης πρέπει να αερίζεται καλά, έτσι ώστε η μονάδα να μπορεί να αναρροφά και να αποβάλλει άφθονο αέρα.
- Συνιστάται η μονάδα να εγκαθίσταται σε:-
 - Σημείο όπου υπάρχει επαρκής ικανότητα στήριξης του βάρους της μονάδας και δυνατότητα απομόνωσης του θορύβου και των κραδασμών.
 - Σημείο με επαρκή αποστράγγιση.
 - Σημείο όπου η μονάδα δεν πρόκειται να περικυκλωθεί από παχύ στρώμα χιονιού.
 - Σημείο όπου τα ανοίγματα εισόδου και εξόδου αέρα δεν είναι εκτεθειμένα σε ισχυρό αέρα.
 - Σημείο όπου η εξαγωγή αέρα και ο θόρυβος λειτουργίας δεν ενοχλεί τους γείτονες.
 - Σημείο όπου δεν υπάρχει πρόσβαση για το κοινό.

Σημείωση

- Για να εγκαταστήσετε τη μονάδα με το κιτ εξοικονόμησης, ακολουθήστε τις συστάσεις που δίνονται στο μέρος (B) (iii) στο κεφάλαιο "ΠΡΟΑΙΡΕΤΙΚΟΣ ΕΞΟΠΛΙΣΜΟΣ" σ' αυτό το εγχειρίδιο.



ΠΡΟΣΟΧΗ

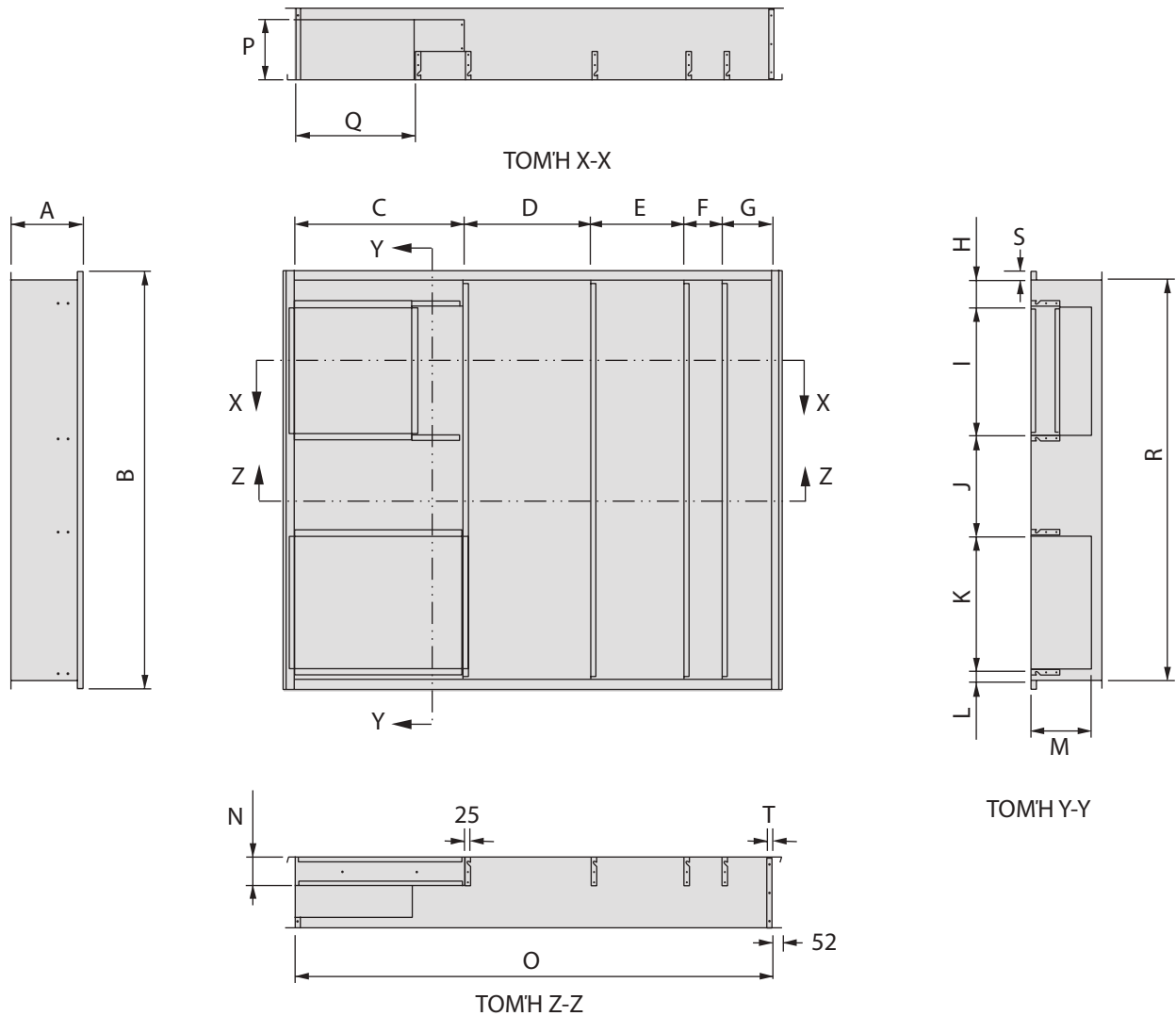
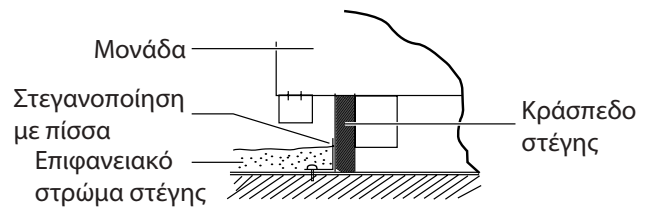
Μην εγκαθιστάτε τη μονάδα σε υψόμετρο άνω των 2000μ.

B Κατασκευή αεραγωγών

- Η μονάδα διαθέτει ανοίγματα για τον αέρα παροχής και επιστροφής. Η σύνδεση των αεραγωγών στη μονάδα θα πρέπει να πραγματοποιείται με φλάντζες για αεραγωγούς και να στερεώνεται απευθείας στα ανοίγματα αέρα μέσω συνδετήρων αεραγωγών από ελαστικό υλικό, προκειμένου να μην μεταδίδεται ο θόρυβος κανονικής λειτουργίας.
- Για την αποφυγή διαρροής του αέρα, όλες οι συνδέσεις των αεραγωγών πρέπει να στεγανοποιούνται.
- Στους χώρους που δεν κλιματίζονται οι αεραγωγοί πρέπει να φέρουν θερμομόνωση.
- Οι αεραγωγοί που βρίσκονται σε εξωτερικό χώρο πρέπει να προστατεύονται από τις καιρικές συνθήκες.
- Αν οι αεραγωγοί διαπερνούν την οροφή, το σημείο διέλευσης θα πρέπει να στεγανοποιείται με ανθεκτικό στις καιρικές συνθήκες υλικό, για να αποφευχθεί η εισχώρηση βροχής, άμμου, σκόνης κ.τ.λ. στο εσωτερικό του κτιρίου.
- Στον αεραγωγό επιστροφής αέρα πρέπει να τοποθετείται φίλτρο κατάλληλων διαστάσεων.

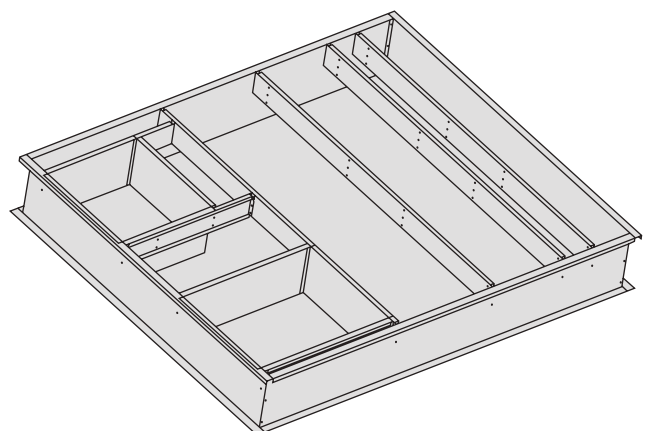
C Στήριξη της μονάδας (Μόνο για μονάδα "down throw")

- Το σχήμα δείχνει τη χρήση κράσπεδου στέγης για τη συναρμολόγηση αυτών των μονάδων.
- Το κράσπεδο θα πρέπει να στεγανοποιείται και να στερεώνεται στη στέγη με ανθεκτικό στις καιρικές συνθήκες υλικό. Στα δεξιά φαίνεται ένας προτεινόμενος τρόπος στεγανοποίησης της μονάδας και του κράσπεδου στέγης.
- Οι συνιστώμενες διαστάσεις του κράσπεδου στέγης φαίνονται πιο κάτω.



Μοντέλο (UATYQ)	250	350/450	550/600/700/900
A	355	355	355
B	1506	2081	2081
C	840	700	840
D	315	410	625
E	315	410	462
F	0	0	190
G	314	287	248
H	0	131	131
I	607	600	646
J	322	544	495
K	540	682	676
L	0	42	51
M	300	300	300
N	141	141	141
O	1784	1807	2365
P	300	300	300
Q	481	477	590
R	1469	1998	1998
S	20	41,5	41,5
T	20	41,5	41,5

Σημείωση: Όλες οι διαστάσεις είναι σε mm

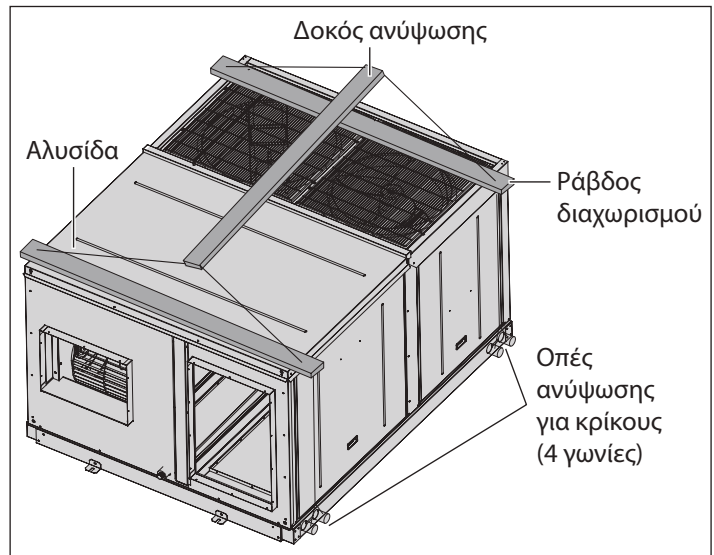


D Ανύψωση της μονάδας

- Οι οπές στις 4 γωνίες της βάσης μονάδας χρησιμοποιούνται για την ανύψωση της μονάδας.
- Η ράβδος διαχωρισμού πρέπει να είναι λίγο φαρδύτερη από τη μονάδα.
- Θα πρέπει να προστίθεται μονωτικό υλικό στις 4 γωνίες της αλυσίδα για την αποφυγή ζημιάς στα πάνελ κατά την ανύψωση.

Σημείωση

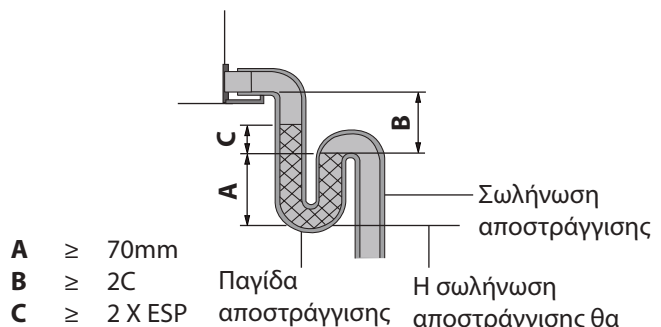
- Η μονάδα που εμφανίζεται στο διάγραμμα είναι η UATYQ250.
- Για τα άλλα μοντέλα ισχύει η ίδια μέθοδος ανύψωσης.



E Σωλήνωση αποστράγγισης

- Παρέχεται εξάρτημα σύνδεσης MPT 1" για την αποστράγγιση συμπυκνωμάτων. Ο σωλήνας αποστράγγισης μπορεί να δρομολογείται στην μπροστινή πλευρά.
- Η σωλήνωση αποστράγγισης πρέπει να διαθέτει παγίδα στο εξωτερικό της μονάδας και να εγκαθίσταται με σωστή κλίση, όπως φαίνεται δεξιά.
- Για να αποφευχθεί η δημιουργία και το στάξιμο συμπυκνωμάτων, μονώστε τη σωλήνωση αποστράγγισης κατά της εφίδρωσης.
- Όταν ολοκληρωθεί η σύνδεση της σωλήνωσης, βεβαιωθείτε ότι δεν υπάρχει διαρροή και ότι το νερό αποστραγγίζεται κανονικά.

Η σωλήνωση αποστράγγισης θα πρέπει να διαθέτει παγίδα αποστράγγισης.



A \geq 70mm

B \geq 2C

C \geq 2 X ESP

Σημείωση

- ESP = Εξωτερική στατική πίεση

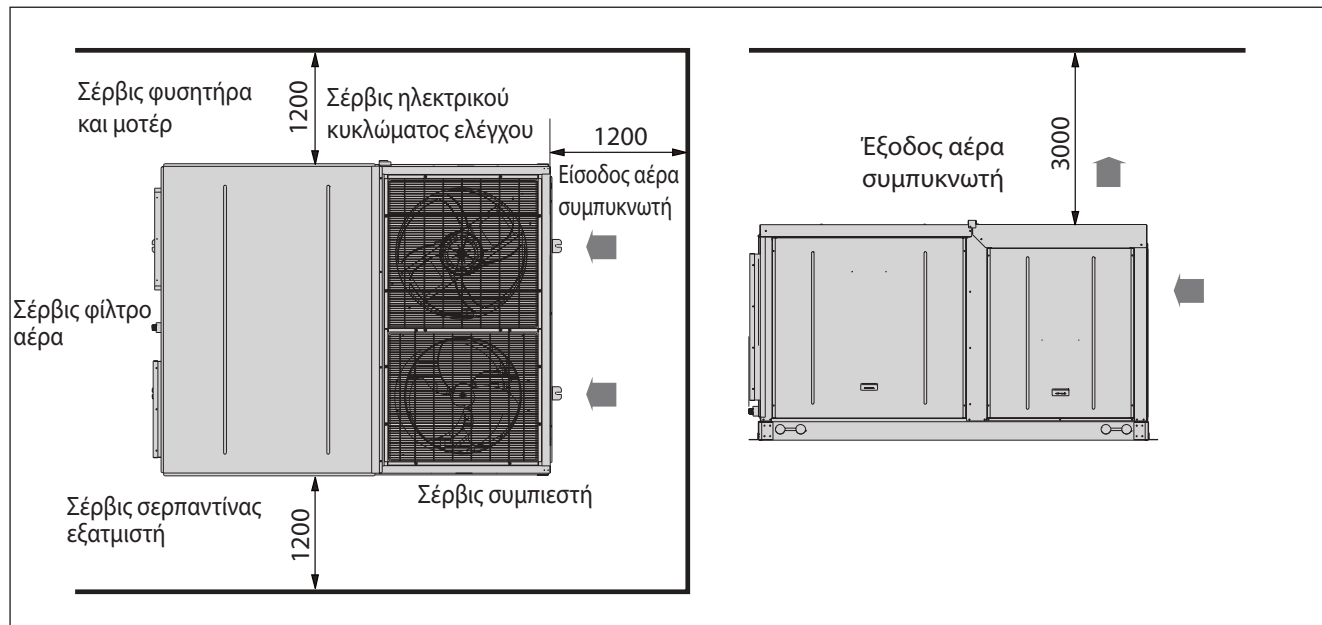
Η σωλήνωση αποστράγγισης θα πρέπει να επεκτείνεται κάτω από αυτό το ύψος.

Παγίδα αποστράγγισης για συμπυκνώματα

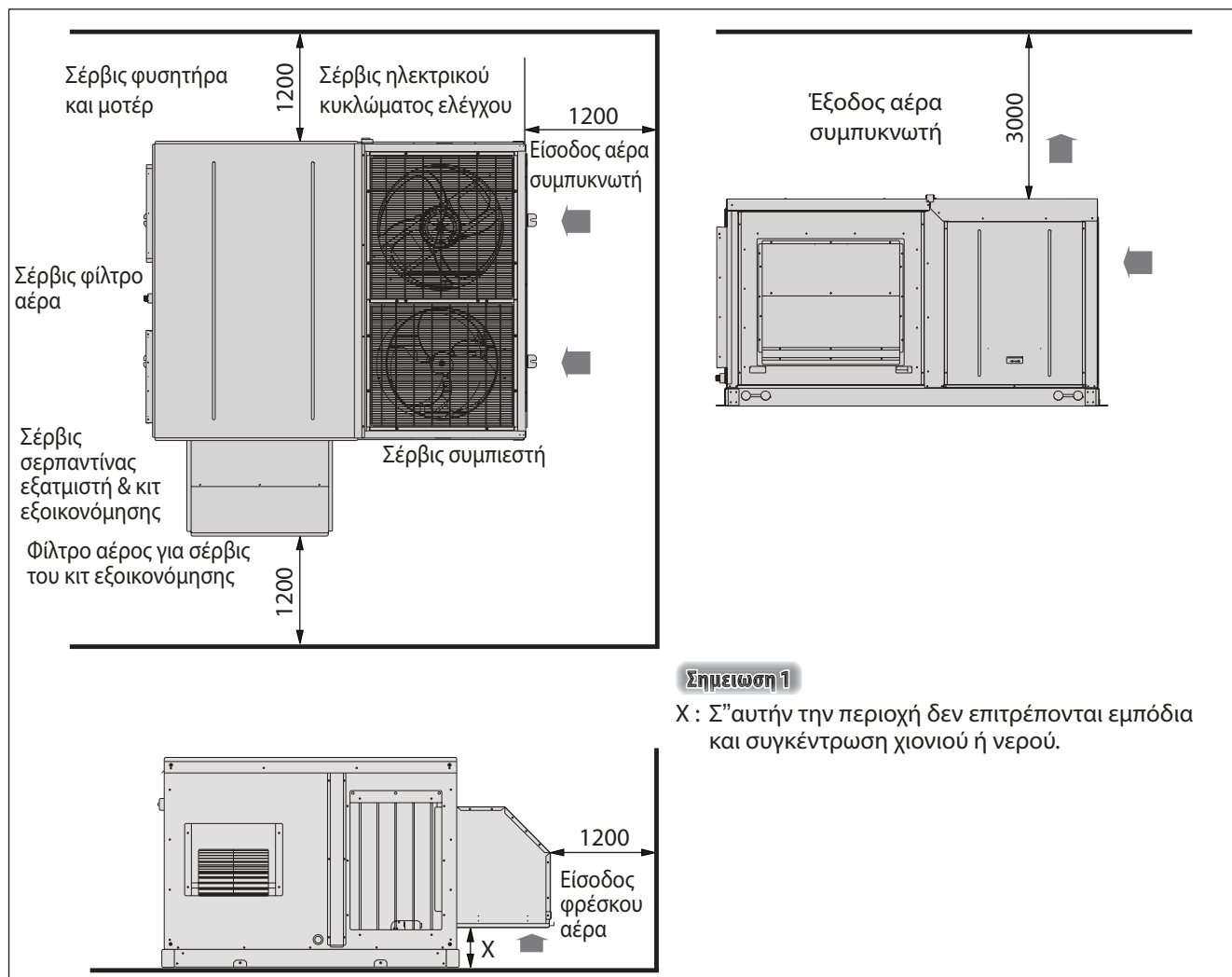
F Απαιτούμενος ελεύθερος χώρος γύρω από τη μονάδα

Ανατρέξτε στο παρακάτω διάγραμμα για τον απαιτούμενο ελεύθερο χώρο γύρω από τη μονάδα. Λάβετε υπόψη ότι:-

- Όλες οι διαστάσεις είναι σε mm.
- Όλες οι τιμές ελεύθερου χώρου είναι τα ελάχιστα διάκενα που απαιτούνται για τη μονάδα.
- Η μονάδα που απεικονίζεται είναι η UATYQ250. Για τα άλλα μοντέλα ισχύουν τα ίδια διάκενα.



Επιπλέον χώρος ή διάκενο απαιτείται όταν εγκαθίσταται το κιτ εξοικονόμησης. Όποτε η μονάδα είναι εξοπλισμένη με κιτ εξοικονόμησης, ο χώρος που απαιτείται γύρω από τη μονάδα με το κιτ εξοικονόμησης θα ακολουθεί το παρακάτω διάγραμμα:-



ΕΛΛΗΝΙΚΑ

G Μετατροπή μονάδας

Για να μετατρέψετε μια στάνταρ μονάδα σε μονάδα με καθοδική ροή, ακολουθήστε τα παρακάτω βήματα:
UATYQ250, 350, 450, 550, 600, 700 & 900

1

Αφαιρέστε το πλευρικό πάνελ

Αφαιρέστε τον ιμάντα μετάδοσης κίνησης

Για την UATYQ250:
Οι δύο πλευρικές πλάκες βιδώνονται στη βάση του φυσητήρα όπως φαίνεται στην εικόνα

2

Αφαιρέστε τις βίδες στις δύο πλευρές

Αφαιρέστε το φυσητήρα

Αφαιρέστε τη βάση του φυσητήρα

Για την UATYQ250, 350, 450, 550, 600, 700 & 900

Τα δύο δομικά στοιχεία καθοδικής ροής βιδώνονται στο φυσητήρα

4

Καλύψτε το άνοιγμα οριζόντιας επιστροφής με το κάλυμμα και βιδώστε σφιχτά. Ανατρέξτε σε Σημείωση 2.

Ξεβιδώστε το κάλυμμα κατακόρυφης επιστροφής από το πάνελ βάσης

Τέλος, επανατοποθετήστε το πλευρικό πάνελ.

3

Επανατοποθετήστε τον ιμάντα μετάδοσης κίνησης. Ρυθμίστε την τάση του ιμάντα μετακινώντας τη βάση του. Καλύψτε μοτέρ.

Αφαιρέστε το πλευρικό πάνελ στην πλευρά επιστροφής

Καλύψτε το άνοιγμα οριζόντιας παροχής με τη βάση φυσητήρα που αφαιρέσατε από το φυσητήρα και βιδώστε την σφιχτά. Ανατρέξτε σε Σημείωση 2.

Γυρίστε το φυσητήρα προς τα κάτω. Βιδώστε στις δύο πλευρές.

Επανατοποθετήστε τον ιμάντα μετάδοσης κίνησης. Ρυθμίστε την τάση του ιμάντα. Τέλος, επανατοποθετήστε το πλευρικό πάνελ. Ανατρέξτε σε Σημείωση 1.

Σημείωση 1

Για τη μετατροπή σε καθοδική ροή, πρέπει να αλλάξει το μήκος του ιμάντα.
 Για μονάδα με στάνταρ τροχαλία, μήκος ιμάντα = a mm
 Απόσταση από άξονα σε άξονα για καθοδική ροή, C-C = b mm

	UATYQ250	UATYQ350	UATYQ450	UATYQ550	UATYQ600	UATYQ700	UATYQ900
a	1432	1457	1382	1500	1500	1500	1500
b	425	430	345	420	420	440	445

Σημείωση 2

Στεγανοποιητικό όπως η ροδέλα (παρέχεται στον τόπο εγκατάστασης) θα τοποθετηθεί ανάμεσα στο μεταλλικό κάλυμμα και τη φλάντζα. Πέρα απ' αυτό, σιλικόνη αδιάβροχη θα μπει σε όλους τους συνδέσμους, στις τρύπες της βίδας και στα κενά για να διασφαλιστεί η αδιάβροχη κατάσταση.

Σημείωση 3

Ανατρέξτε στο Βιβλίο Μηχανικών Δεδομένων για την καμπύλη του φυσητήρα και τα τεχνικά δεδομένα της τροχαλίας αυξομειώσης.

ΤΕΧΝΙΚΑ ΧΑΡΑΚΤΗΡΙΣΤΙΚΑ

Αντλία θερμότητας (R410A)

Μοντέλο		UATYQ250	UATYQ350	UATYQ450	UATYQ550	UATYQ600	UATYQ700	UATYQ900
Ψυκτικό μέσο		R410A						
Πλήρωση ψυκτικού μέσου	kg	6,1	5,8/5,8	7,2/7,2	8,7/8,7	10,4/10,4	11,6/11,6	11,6/11,6
Ρυθμός ροής αέρα εξατμιστή	CFM	3300	4300	5650	6700	7300	8300	9600
	λίτρα/δευτ.	1557	2029	2667	3162	3445	3917	4531
Εξωτερική στατική πίεση	mm ΣΥ	15			21			
	Pa	147			206			
Ρυθμός ροής αέρα συμπυκνωτή	CFM	8230	6000/6000	6050/6050	6450/6450	10100/10100	10600/10600	10600/10600
	λίτρα/δευτ.	3884	2831/2831	2855/2855	3044/3044	4767/4767	5003/5003	5003/5003
Έλεγχος		Ενσύρματος Ελεγκτής Άκρου Οροφής						
Μήκος καλωδίου ελέγχου (Στάνταρ/Μέγ.): Μέγεθος	m : mm ²	15 / 100 : 3						
Συμπιεστής (τύπος/ποσότητα)		Σπειροειδής/1	Σπειροειδής/2	Σπειροειδής/2	Σπειροειδής/2	Σπειροειδής/2	Σπειροειδής/2	Σπειροειδής/2
Φίλτρο αέρα (τύπος/ποσότητα)		Πλενόμνο Saranet/2						
Διαστάσεις φίλτρου αέρα (Μήκος x Πλάτος x Πάχος)	mm	880 x 467 x 4	1126 x 385 x 4	1126 x 435 x 4	1497 x 392 x 4	1497 x 495 x 4	1497 x 595 x 4	1497 x 595 x 4

ΗΛΕΚΤΡΙΚΑ ΧΑΡΑΚΤΗΡΙΣΤΙΚΑ

Αντλία θερμότητας (R410A)

Μοντέλο		UATYQ250	UATYQ350	UATYQ450	UATYQ550	UATYQ600	UATYQ700	UATYQ900
Τροφοδοσία ρευματος	V/φάσεις/Hz	380-415/3N~/50						
Μέγ. ρεύμα διαρκείας (Συμπ)	A	26	17/17	19/19	26/26	28/28	29/29	40,0/40,0
Ρεύμα πλήρους φορτίου (FLA, Συμπ)	A	21	12/12	15/15	21/21	22/22	25/25	34,0/34,0
Ρεύμα με κλειδωμένο ρότορα (LRA, Συμπ)	A	111	74/74	101/101	111/111	118/118	118/118	174,0/174,0

Ο εξοπλισμός πληροί τις απαιτήσεις της EN 61000-3-11 και υπόκειται σε υπό προϋποθέσεις σύνδεση στο δίκτυο τροφοδοσίας. Μπορεί να συνδεθεί βάσει καθοδήγησης του επίσημο φορέα παροχής ηλεκτρικού ρεύματος. Ο εξοπλισμός μπορεί να συνδεθεί σε δίκτυο τροφοδοσίας με εμπέδηση συστήματος με τιμή μικρότερη από την αναγραφόμενη στον κατωτέρω πίνακα. Η εμπέδηση στο σημείο διασύνδεσης μπορεί να ληφθεί από τον επίσημο φορέα παροχής ηλεκτρικού ρεύματος.

Μοντέλο	Μέγιστη εμπέδηση (Z_{max}), ohm
UATYQ250	0,22
UATYQ350	0,23
UATYQ450	0,21
UATYQ550	0,21
UATYQ600	0,21
UATYQ700	0,21
UATYQ900	0,20

Αν το δίκτυο τροφοδοσίας έχει υψηλότερη εμπέδηση συστήματος, διακυμάνσεις οφειλόμενες σε βραχυκύκλωση μπορεί να εμφανιστούν όταν ο εξοπλισμός ξεκινάει ή κατά τη διάρκεια της λειτουργίας. Αυτό μπορεί να επηρεάσει ή παρενοχλήσει τη λειτουργία άλλων συσκευών, π.χ. λαμπτήρες αυξομειούμενης έντασης, ειδικά εκείνους που είναι συνδεδεμένοι στο ίδιο δίκτυο τροφοδοσίας.

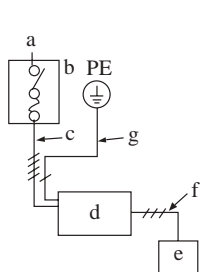
ΣΥΝΔΕΣΗ ΚΑΛΩΔΙΩΝ

- Όλες οι ηλεκτρολογικές εργασίες πρέπει να εκτελούνται από εξειδικευμένο ηλεκτρολόγο και σύμφωνα με τις τοπικές απαιτήσεις τροφοδοσίας και τους κανονισμούς του συλλόγου.

Μέθοδος για τη σύνδεση των ηλεκτρικών καλωδίων

Πριν συνδέσετε το καλώδιο, διαβουλευτείτε με την εταιρεία ηλεκτρικής ενέργειας της δικαιοδοσίας.

1. Το σύνολο διάγραμμα καλωδίωσης της μονάδα



a	Τροφοδοσία ρευματος
b	Γενικός διακόπτης/ ασφάλεια (παρέχεται από τον πελάτη)
c	Καλώδιο τροφοδοσίας ρεύματος για τη μονάδα
d	Μονάδα
e	Τηλεχειριστήριο
f	Καλώδιο σύνδεσης για μονάδα & τηλεχειριστήριο
g	Γείωση

2. Συνδέσεις καλωδίων στη μονάδα

Δρομολογήστε τα καλώδια τροφοδοσίας και ελέγχου μέσα από τα ήδη τρυπημένα ανοίγματα καλωδίου στη μονάδα. Αφαιρέστε τα πάνελ για το σέρβις και συνδέστε τα καλώδια τροφοδοσίας της μονάδας στη λωρίδα ακροδεκτών, στο εσωτερικό του κιβωτίου ελέγχου, όπως φαίνεται στο σχήμα.

Χρησιμοποιήστε τα καλώδια ελεγχόμενης απελευθέρωσης τα οποία βρίσκονται στο κάτω μέρος του πλαισίου ελέγχου για να συγκρατήσετε τα καλώδια ρεύματος κανονικά.

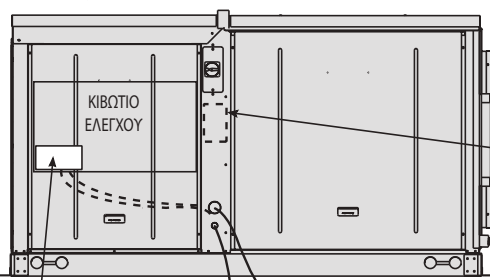
Σημείωση

Όταν εγκαθιστάτε τον ασφαλειοδιακόπτη στη μονάδα, βεβαιωθείτε ότι οι βίδες δεν προκαλούν ζημιά στα εξαρτήματα στο εσωτερικό της μονάδας (π.χ. σερπαντίνα).

Το κιβώτιο διακοπών μπορεί να εγκατασταθεί χωρίς να στερεωθεί στη μονάδα.

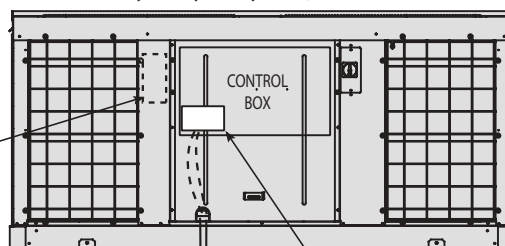
Μόνο η μονάδα UATYQ250 έχει τρυπημένα ανοίγματα. Η μονάδα UATYQ250, UATYQ350, UATYQ450, UATYQ550, UATYQ600, UATYQ700 & UATYQ900 παραδίδεται με οπή για το πέρασμα του καλωδίου τροφοδοσίας.

UATYQ250



Λωρίδα ακροδεκτών
Καλώδιο ελέγχου
Καλώδιο ρεύματος (στεγανοποίηση των οπών εξαγωγής μετά από την εγκατάσταση)

UATYQ350, 450, 550, 600, 700 & 900



Καλώδιο ρεύματος
Καλώδιο ελέγχου
Λωρίδα ακροδεκτών

Συνιστώμενη θέση κιβωτίου διακοπών

Παράδειγμα καλωδίωσης και επιλογή ασφαλειοδιακόπτη

Μοντέλο	Καλώδιο ρεύματος (mm ²)	Ικανότητα του ασφαλειοδιακόπτη (A)	Διακόπτης προστασίας από υπερένταση (A)	Καλώδιο γείωσης (mm ²)
UATYQ250	4	32	32	4
UATYQ350	6	40	40	6
UATYQ450	10	40	40	10
UATYQ550	10	50	50	10
UATYQ600	16	63	63	16
UATYQ700	25	80	80	25
UATYQ900	35	100	100	35

Σημείωση

Στη σταθερή καλωδίωση πρέπει να συμπεριληφθεί ένας γενικός διακόπτης ή άλλο μέσο αποσύνδεσης με διαχωρισμό όλων των πόλων, σύμφωνα με την τοπική και την εθνική νομοθεσία.

- Η μονάδα πρέπει να τροφοδοτείται απευθείας από πίνακα διανομής ρεύματος, είτε με ασφαλειοδιακόπτη (προτιμάται) είτε με ασφάλεια βραδείας τήξης (HRC).
- Συνδέστε την καλωδίωση τροφοδοσίας στη μονάδα ελέγχου. Συνδέστε το καλώδιο ελέγχου στη λωρίδα ακροδεκτών ελέγχου μέσω της οπής του κιβωτίου ελέγχου.
- Το καλώδιο γείωσης πρέπει να συνδεθεί.
- Το καλώδιο τροφοδοσίας πρέπει να είναι ισοδύναμο με H07RN-F, που είναι η ελάχιστη απαίτηση, και πρέπει να χρησιμοποιείται μέσα σε προστατευτικό σωλήνα.
- Θα πρέπει να υπάρχει αποσύνδεση όλων των πόλων στην πρίζα της παροχής ρεύματος με διαχωρισμό επαφής τουλάχιστον 3mm.



ΠΡΟΕΙΔΟΠΟΙΗΣΗ

- Πριν εκτελέσετε εργασίες μέσα σε αυτή τη μονάδα, αποσυνδέστε την από την τροφοδοσία.
- Η ηλεκτρική καλωδίωση σε αυτήν τη μονάδα και το τηλεχειριστήριο θα πρέπει να εγκαθίσταται σύμφωνα με τις αντίστοιχες απαιτήσεις του τοπικού κώδικα καλωδίωσης.

Τηρήστε τις σημειώσεις που αναφέρονται πιο κάτω κατά την καλωδίωση της λωρίδας ακροδεκτών. Προφυλάξεις για την καλωδίωση της τροφοδοσίας.

(Χρησιμοποιήστε κυκλικό πρεσαριστό ακροδέκτη για τη σύνδεση με τη λωρίδα ακροδεκτών. Σε περίπτωση που η χρήση του είναι απολύτως αδύνατη, τηρήστε οπωσδήποτε την παρακάτω οδηγία.)

Κυκλικός πρεσαριστός
ακροδέκτης

Πολύκλωνο
καλώδιο



ΠΡΟΣΟΧΗ

Αν χρησιμοποιήσετε μονόκλωνο καλώδιο για τη σύνδεση στη λωρίδα ακροδεκτών, δημιουργήστε οπωσδήποτε μια θηλιά. Αν η εργασία δεν εκτελεστεί σωστά, υπάρχει κίνδυνος υπερθέρμανσης και πυρκαγιάς.



Γυμνό καλώδιο στη λωρίδα ακροδεκτών

Απογυμνώστε το καλώδιο
μέχρι αυτό το σημείο.

○ Σωστό

Αν το μήκος απογύμνωσης είναι
υπερβολικά μεγάλο, υπάρχει κίνδυνος
ηλεκτροπληξίας ή διαρροής.

× Λάθος

- Τραβήξτε το καλώδιο και βεβαιωθείτε ότι δεν αποσυνδέεται. Στη συνέχεια, στερεώστε το καλώδιο με ένα σφιγκτήρα.

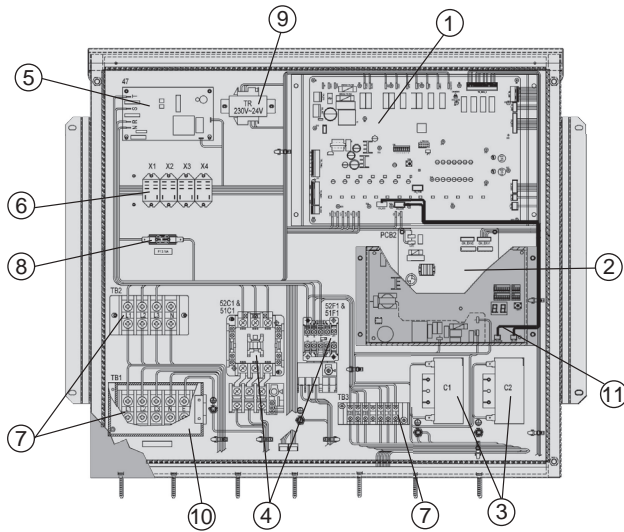


ΠΡΟΕΙΔΟΠΟΙΗΣΗ

- Το καλώδιο μετάδοσης πρέπει να δρομολογηθεί σε απόσταση τουλάχιστον 50mm από το καλώδιο τροφοδοσίας.
- Το καλώδιο μετάδοσης πρέπει να είναι θωρακισμένο.

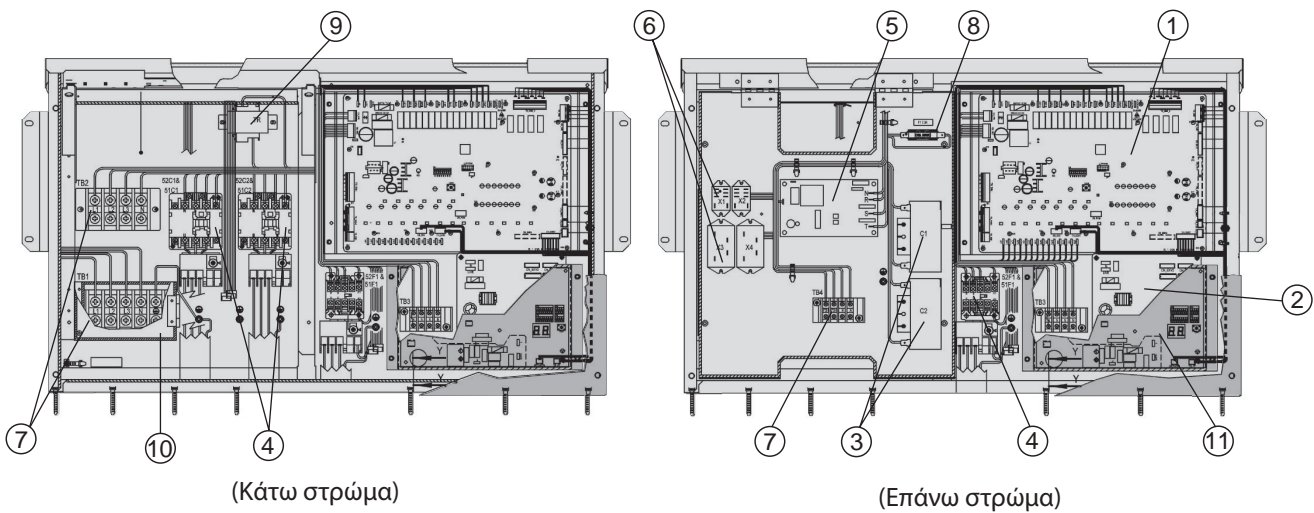
Η διάταξη των λωρίδων ακροδεκτών και των εξαρτημάτων για το σύστημα ελέγχου φαίνονται πιο κάτω:

A Μονάδα ελέγχου UATYQ250

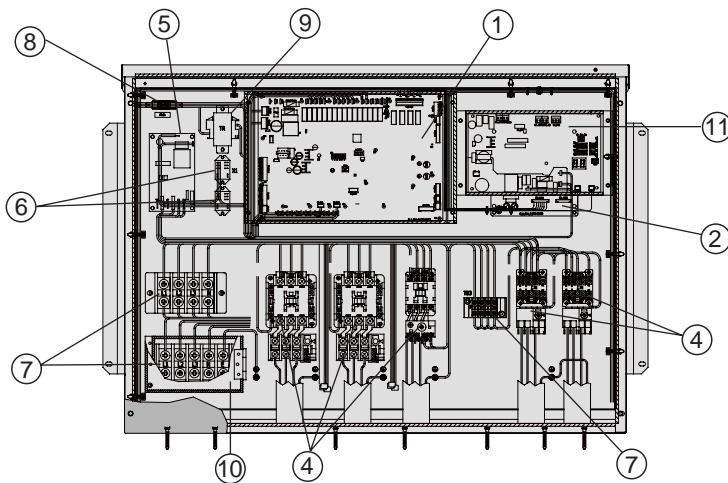


Αρ.	Περιγραφή εξαρτήματος
①	Κύρια πλακέτα συστήματος ελέγχου
②	Πλακέτα συστήματος ελέγχου EXV
③	Πυκνωτής
④	Επαφές
⑤	Προστασία φάσης
⑥	Ρελέ
⑦	Λωρίδα ακροδεκτών
⑧	Ασφάλεια
⑨	Μετασχηματιστής
⑩	Κάλυμμα ακροδεκτών
⑪	Πίνακας Ελεγκτή Εξοικονομητή

B Μονάδα ελέγχου UATYQ350/450/550



C Μονάδα ελέγχου UATYQ600/700/900



ΠΡΟΕΙΔΟΠΟΙΗΣΗ

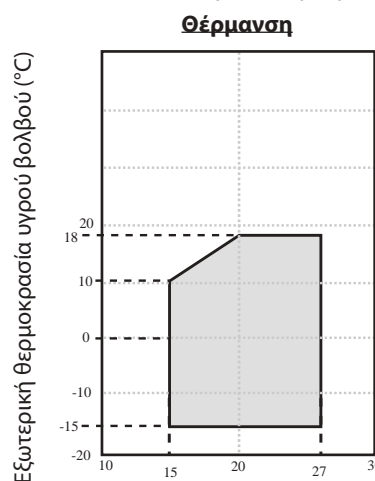
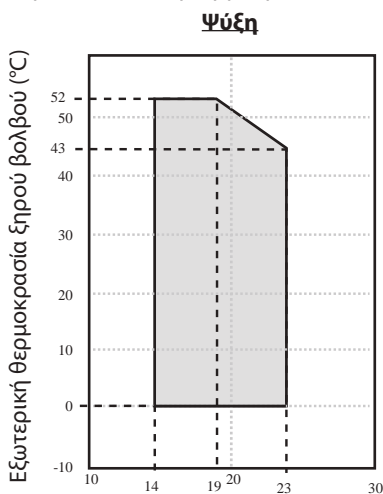
Εκτός και αν ο κύριος διακόπτης τροφοδοσίας είναι απενεργοποιημένος, το μπλοκ ακροδεκτών (TB1) θα παραμείνουν ζωντανά, όταν ο διακόπτης είναι απενεργοποιημένος.

Σημείωση

Αντικείμενο 11 (Πίνακας Ελεγκτή Εξοικονομητή) θα χρησιμοποιηθεί μαζί με το κιτ εξοικονόμησης το οποίο παρέχεται ξεχωριστά ως εξάρτημα.

ΦΑΣΜΑ ΛΕΙΤΟΥΡΓΙΑΣ

Βεβαιωθείτε ότι η θερμοκρασία λειτουργίας είναι εντός του επιτρεπτού φάσματος τιμών, όπως φαίνεται στο παρακάτω διάγραμμα:



ΠΡΟΣΟΧΗ

Η χρήση του κλιματιστικού εκτός της περιοχής τιμών θερμοκρασίας και υγρασίας λειτουργίας μπορεί να προκαλέσει σοβαρή βλάβη.

Σημείωση

Ανατρέξτε στο Εύρος Λειτουργίας για μονάδα με επιλογή εξοικονομητή στα μέρη (E)(vi) στο κεφάλαιο "ΠΡΟΑΙΡΕΤΙΚΟ ΒΟΗΘΗΜΑ".

DB = ηρός Γλόμπος
WB = Υγρός Γλόμπος

Εξωτερική θερμοκρασία ξηρού βολβού (°C) Εσωτερική θερμοκρασία υγρού βολβού (°C)

ΟΔΗΓΟΣ ΧΕΙΡΙΣΜΟΥ ΣΥΣΤΗΜΑΤΟΣ ΕΛΕΓΧΟΥ

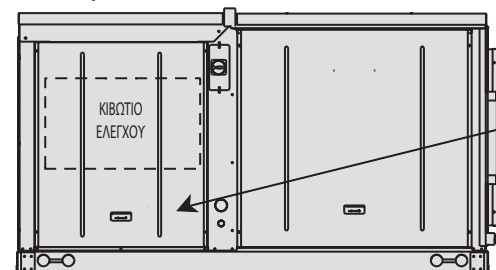
Η μονάδα διαθέτει μια κύρια πλακέτα συστήματος ελέγχου, και ένα ενσύρματο τηλεχειριστήριο είναι συνδεδεμένο στην κύρια πλακέτα συστήματος ελέγχου.

Όλες οι ρυθμίσεις της μονάδας έχουν ήδη πραγματοποιηθεί στο εργοστάσιο. Δεν συνιστάται να αλλάξουν οι ρυθμίσεις, εκτός αν είναι απαραίτητο.

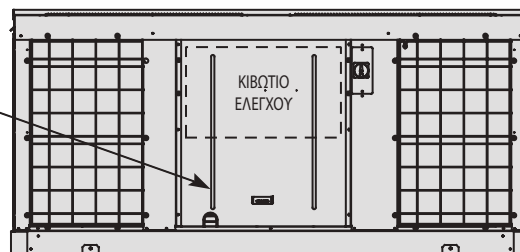
α) Θέση του τηλεχειριστηρίου

Το τηλεχειριστήριο βρίσκεται σε μεταλλική βάση στήριξης πίσω από το πάνελ του σέρβις. Είναι συσκευασμένο μαζί με το εγχειρίδιο εγκατάστασης.

UATYQ250



UATYQ350, 450, 550, 600, 700 & 900



Αφαίρεση πινάκα

β) Οθόνη LED (κύρια πλακέτα συστήματος ελέγχου)

Η λυχνία LED αναβοσβήνει κατά την τροφοδότηση της μονάδας.

γ) Οθόνη LCD (τηλεχειριστήριο)

Στην κανονική λειτουργία η οθόνη LCD εμφανίζει την κατάσταση ενεργοποίησης/απενεργοποίησης του συμπιεστή, τον τρόπο λειτουργίας, τη ρυθμισμένη θερμοκρασία κ.τ.λ. Ανατρέξτε στο εγχειρίδιο χειρισμού για λεπτομέρειες σχετικά με το χειρισμό. Κατά την τροφοδότηση, στην οθόνη LCD εμφανίζονται οι κύριες ενδείξεις. Αν παρουσιαστεί δυσλειτουργία, εμφανίζεται ένα αναδυόμενο μήνυμα στην οθόνη LCD σε φόντο που αναβοσβήνει και ακούγεται ένας ήχος "μπιπ".

δ) Προαιρετικός ρυθμιστής

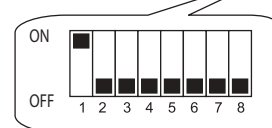
Η κύρια πλακέτα του συστήματος ελέγχου μπορεί να χρησιμοποιηθεί ως διεπαφή για τον έλεγχο του θερμοστάτη και του συστήματος BMS.

(i) Έλεγχος θερμοστάτη (TB_THM-I)

- Για να χρησιμοποιήσετε αυτό το σύστημα ελέγχου, ρυθμίστε διακόπτη Dip ως εξής: SW1-ON (η προεπιλογή είναι OFF).
- Ακολουθήστε την παρακάτω μέθοδο για τις εισόδους ελέγχου του θερμοστάτη:

G	Y1	Y2	W1	W2	Τρόπος λειτ.	Λειτουργία
0	0	0	0	0	-	Μονάδα απενεργοποιημένη
1	0	0	0	0	ανεμιστήρα	Εσωτ. ανεμ. ενεργ.
X	1	0	X	X	Ψύξη	Συμπιεστής 1 βαθμίδας
X	1	1	X	X	Ψύξη	Συμπιεστής 2 βαθμίδας
X	0	X	1	0	Αντλία θερμότητας/Θερμαντικό στοιχείο	Συμπιεστής 1 βαθμίδας
X	0	X	1	1	Αντλία θερμότητας/Θερμαντικό στοιχείο	Συμπιεστής 2 βαθμίδας

Παρατήρηση: X = Άνευ σημασίας.



- Ανατρέξτε στον παρακάτω πίνακα για συστάσεις σχετικά με την εγκατάσταση:

Είσοδος	Ονομαστική τάση	Ονομαστική ένταση ρεύματος	Μέγεθος καλωδίου
G	24V AC	5mA	AWG18~22
Y1			
Y2			
W1			
W2			

Σημείωση

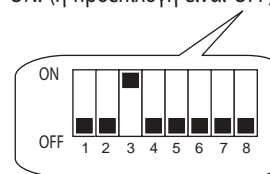
- Όταν ο κεντρικός πίνακας ελέγχου διαμορφώνεται ως θερμοστατικός έλεγχος, το τηλεχειριστήριο χρησιμοποιείται μόνο για λόγους παρακολούθησης.
- Η μονάδα πρέπει να επανεκκινείται (απενεργοποίηση και επανεργοποίηση της τροφοδοσίας) κάθε φορά που αλλάζει η ρύθμιση ενός διακόπτη Dip.

(ii) Έλεγχος BMS (TB_BMS-I)

- Για να χρησιμοποιήσετε αυτό το σύστημα ελέγχου, ρυθμίστε διακόπτη Dip ως εξής: SW3 - ON. (η προεπιλογή είναι OFF) και ο πίνακας παραμέτρων G8 στο '1' (προεπιλογή ως '0').

Σημείωση

- G8 = Τύπος Ελέγχου
0 = Πίνακας
1 = BMS
2 = DEC
- Για το TB_BMS-I υπάρχουν 3 είσοδοι ελέγχου: μονάδα ενεργ./απενεργ., τρόπος λειτουργίας (ψύξη-0/θέρμανση-1), και τιμή ρύθμισης (4~20 mA).
- Ανατρέξτε στον παρακάτω πίνακα για συστάσεις σχετικά με την εγκατάσταση:



Είσοδος TB_BMS-I	Ονομαστική τάση	Ονομαστική ένταση ρεύματος	Μέγεθος καλωδίου
Ενεργ./Απεν.	24V AC	5mA	AWG18~22
Τρόπος λειτουργίας	24V AC	5mA	
Τιμή ρύθμισης ψύξης/θέρμανσης	-	4~20mA	

Σημείωση

- Τα σήματα εξόδου θα ποικίλλουν αναλόγως της διαμόρφωσης του κεντρικού πίνακα ελέγχου, είτε πρόκειται για έλεγχο θερμοστάτη είτε για έλεγχο BMS.
- Η μονάδα πρέπει να επανεκκινείται (απενεργοποίηση και επανεργοποίηση της τροφοδοσίας) κάθε φορά που αλλάζει η ρύθμιση ενός διακόπτη Dip.

(iii) Έξοδος ζηρής επαφής (TB_BMS-O)

- Για το TB_BMS-O υπάρχουν 4 έξοδοι παρακολούθησης: συναγερμός σφάλματος, έξοδος1, έξοδος2 και σήμα απόψυξης.
- Ανατρέξτε στον παρακάτω πίνακα για συστάσεις σχετικά με την εγκατάσταση:

Είσοδος TB_BMS-O	Ονομαστική τάση	Ονομαστική ένταση ρεύματος (A)	Μέγεθος καλωδίου
Έξοδος συναγερμού (AL)	230V AC/125V AC/30V DC	1/3/3	AWG18~22
Έξοδος1 (O1)	230V AC/125V AC/30V DC	2/3/3	
Έξοδος2 (O2)	230V AC/125V AC/30V DC	3/3/3	
Σήμα απόψυξης (DFRT)	230V AC/125V AC/30V DC	4/3/3	

- Τα σήματα εξόδου θα ποικίλλουν αναλόγως της διαμόρφωσης του κεντρικού πίνακα ελέγχου, είτε πρόκειται για έλεγχο θερμοστάτη είτε για έλεγχο BMS.

(1) Για τον έλεγχο θερμοστάτη, οι έξοδοι επισημαίνονται με τον τρόπο που φαίνεται στον παρακάτω πίνακα.

Είσοδος θερμοστάτη (SW1-ON)					ΣΦΑΛΜΑ	ΑΠΟΨΥΞΗ	Έξοδος συναγερμού (AL)	Έξοδος1 (O1)	Έξοδος2 (O2)	Σήμα απόψυξης (DFRT)
G	Y1	Y2	W1	W2						
0	0	0	0	0	X	X	X	0	0	X
1	0	0	0	0	X	X	X	0	1	X
X	1	0	X	X	X	X	X	1	0	X
X	1	1	X	X	X	X	X	1	0	X
X	0	X	1	0	X	X	X	1	1	X
X	0	X	1	1	X	X	X	1	1	X
X	X	X	X	X	1	X	1	X	X	X
X	X	X	X	X	X	1	X	X	X	1

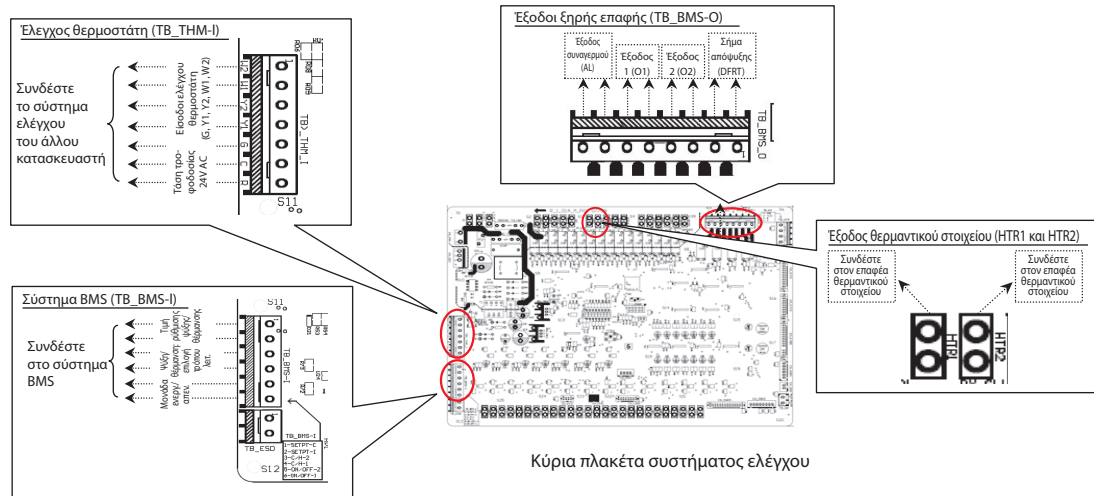
Παρατήρηση: X = Άνευ σημασίας.

(2) Για τον έλεγχο BMS, οι έξοδοι επισημαίνονται με τον τρόπο που φαίνεται στον παρακάτω πίνακα.

Είσοδος BMS (SW3-ON)			ΣΦΑΛΜΑ	ΑΠΟΨΥΞΗ	Έξοδος συναγερμού	Έξοδος1	Έξοδος2	Σήμα απόψυξης
ON/OFF	ΤΡΟΠΟΣ ΛΕΙΤΟΥΡΓΙΑΣ	ΨΥΞΗ/ΘΕΡΜΑΝΣΗ ΤΙΜΗ ΡΥΘΜΙΣΗΣ			(AL)	(O1)	(O2)	(DFRT)
0	0	X	X	X	X	0	0	X
0	1	X	X	X	X	0	1	X
1	0	X	X	X	X	1	0	X
1	1	X	X	X	X	1	1	X
X	X	X	1	X	1	X	X	X
X	X	X	X	1	X	X	X	1

Παρατήρηση: X = Άνευ σημασίας.

Το παρακάτω διάγραμμα δείχνει τη θέση των ακροδεκτών της πλακέτας του συστήματος ελέγχου, οι οποίες χρησιμοποιούνται για τον έλεγχο θερμο- στάτη και του συστήματος BMS. Επιπλέον, επισημαίνονται και οι ακίδες εξόδου για βοηθητικό ηλεκτρικό θερμαντικό στοιχείο.



(iv) Έξοδος βοηθητικού ηλεκτρικού θερμαντικού στοιχείου (HTR1 και HTR2)

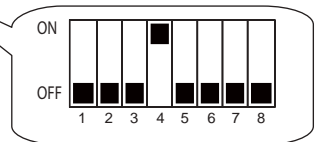
- Υπάρχουν δύο ακίδες εξόδου (HTR1 και HTR2) στην κύρια πλακέτα συστήματος ελέγχου, οι οποίες χρησιμοποιούνται για την ενεργοποίηση του επαφά του θερμαντικού στοιχείου. Ο επαφάς πρέπει να επιλέγεται αναλόγως για να αποφεύγονται προβλήματα ασφαλείας.
- Το θερμαντικό στοιχείο πρέπει να εγκαθίσταται σύμφωνα με την τοπική και εθνική νομοθεσία. Πρέπει να συμμορφώνεται με το EN60335-2-40.
- Θα πρέπει να εγκαθίσταται θερμική ασφάλεια (ή ασφάλειες) στο θερμαντικό στοιχείο για να εξαλείφεται κάθε κίνδυνος ή πρόκλησης ζημιάς στο θερμαντικό στοιχείο/τη μονάδα. Κάτι τέτοιο είναι ιδιαίτερα κρίσιμο σε περίπτωση που παρουσιαστεί δυσλειτουργία στην κύρια πλακέτα του συστήματος ελέγχου ή στο φυστήρα.
- Το θερμαντικό στοιχείο πρέπει να είναι σε ασφαλές χώρο, ώστε να μην υπάρχει κίνδυνος πρόκλησης ζημιάς στη μονάδα.
- Χρησιμοποιείτε αεραγωγούς από άφλεκτο υλικό για τη μονάδα που εξοπλίζεται με θερμαντικό στοιχείο
- Χρησιμοποιείτε διαφορετική τροφοδοσία ρεύματος για το ηλεκτρικό θερμαντικό στοιχείο και τοποθετείτε έναν ασφαλειοδιακόπτη για κάθε θερμαντικό στοιχείο.
- Η μέγιστη θερμοκρασία στη μονάδα δεν πρέπει να υπερβαίνει τους 60°C. Πρέπει να μετρηθεί η θερμοκρασία κατά την εγκατάσταση ή τη δοκιμαστική λειτουργία της παράδοσης για να διασφαλιστεί ότι η θερμοκρασία δεν υπερβαίνει αυτήν την τιμή.
- Επιλέξτε αναλόγως την κατάλληλη διάταξη ασφαλείας ή θερμική προστασία.
- Το θερμαντικό στοιχείο δεν πρέπει να εγκαθίσταται ποτέ στο εσωτερικό της μονάδας. Η συνιστώμενη θέση για θερμαντικό στοιχείο είναι στο εσωτερικό του αεραγωγού παροχής, και η απόσταση του θερμαντικού στοιχείου θα πρέπει να είναι τέτοια ώστε η θερμοκρασία στο εσωτερικό της μονάδας να μην υπερβαίνει τους 60°C.

(v) Έλεγχος εξοικονόμησης

- Βεβαιωθείτε ότι το κιτ εξοικονόμησης έχει ενσωματωθεί με τη μονάδα οροφής πριν ενεργοποιήσετε τη λειτουργία εξοικονόμησης στον κύριο πίνακα ελέγχου. Επίσης, θα προκύψει σφάλμα.
- Για να ενεργοποιήσετε τη λειτουργία εξοικονόμησης, ρυθμίστε τους διακόπτες Dip ως εξής: SW4 - ON (η προεπιλογή είναι OFF) στον κύριο πίνακα του ελεγκτή και παράμετρο πάνελ G6 to "1" (η προεπιλογή είναι "0").

Σημείωση

G6 = Έλεγχος εξοικονόμησης
0 = ανενεργός
1 = ενεργός



- Στον πίνακα ελέγχου εξοικονόμησης, υπάρχουν 4 διακόπτες dip και 3 παρακαμπτήρες οι οποίοι παρέχουν ευέλικτη επιλογή βάσει των διαφορετικών απαιτήσεων:
 - Διακόπτης Dip 1: Ρύθμιση ελάχιστου ανοίγματος φρέσκου αέρα στη λειτουργία θέρμανσης, όπου με την επιλογή διαφορετικών ακίδων θα δοθεί διαφορετική ρύθμιση ανοίγματος. SW1: 5%, SW2: 10%, SW3: 15%, SW4: 20%, SW5: 25%, SW6/7/8: Καμία λειτουργία, Προεπιλογή: 0% (καμία επιλογή, όλα OFF).
 - Διακόπτης Dip 2: Ρύθμιση ελάχιστου ανοίγματος φρέσκου αέρα στη λειτουργία ψύξης, όπου με την επιλογή διαφορετικών ακίδων θα δοθεί διαφορετική ρύθμιση ανοίγματος. SW1: 0%, SW2: 5%, SW3: 15%, SW4: 20%, SW5: 25%, SW6/7/8: Καμία λειτουργία, Προεπιλογή: 10% (καμία επιλογή, όλα OFF).
 - Διακόπτης Dip 3: Επιλογή επιπέδου τιμής κατωφλιού CO₂ PPM, όπου με την επιλογή διαφορετικών ακίδων θα δοθεί διαφορετική τιμή ρύθμισης. SW1: 25%, SW2: 50%, SW3: 75%, SW4: 100%, Προεπιλογή: 0% (καμία επιλογή, όλα OFF).
 - Διακόπτης Dip 4: Τύπος λειτουργίας, η οποία περιλαμβάνει την ακόλουθη επιλογή:-
SW1: OFF = Λειτουργία διαφορικής θερμοκρασίας (προεπιλογή), ON = Καμία λειτουργία αυτή τη στιγμή.
SW2: OFF = Λειτουργία Εξοικονόμησης (προεπιλογή), ON = λειτουργία Φρέσκου αέρα.
SW3: OFF = Προστασία υπερ-ψύξης είναι ενεργοποιημένη (προεπιλογή), ON = Προστασία υπερ-ψύξης δεν είναι ενεργοποιημένη.

Παρακαμπτήρας 1, 2 και 3: Ρύθμιση ελάχιστου ανοίγματος φρέσκου αέρα στη λειτουργία ανεμιστήρα, όπου με την επιλογή διαφορετικών ακίδων θα δοθεί διαφορετική ρύθμιση ανοίγματος. Ας δοθεί το όνομα στον παρακαμπτήρα 1 = JP1, παρακαμπτήρα 2 = JP2 και παρακαμπτήρα 3 = JP3, ανατρέξτε στον παρακάτω πίνακα για επιλογή διαφορετικού ανοίγματος φρέσκου αέρα:-

Είσοδος φρέσκου αέρα (%)	JP1	JP2	JP3
0 (προεπιλογή)	OFF	OFF	OFF
10	OFF	OFF	ON
20	OFF	ON	OFF
30	OFF	ON	ON
40	ON	OFF	OFF
50	ON	OFF	ON
70	ON	ON	OFF
85	ON	ON	ON

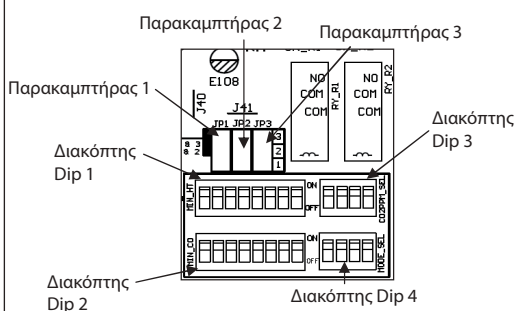
Λεζάντα: OFF = Μικρή ακίδα 2 και ακίδα 3
ON = Μικρή ακίδα 1 και ακίδα 2



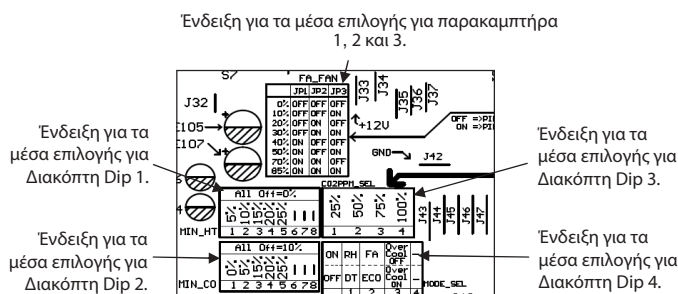
ΠΡΟΣΟΧΗ

Διακόπτης Dip 1, 2 και 3 επιτρέπει την επιλογή μόνο 1 ακίδας. Η επιλογή πολλαπλών ακίδων θα προκαλέσει σφάλμα και η λειτουργία θα μεταβεί πίσω στη ρύθμιση προεπιλογής. Ενώ ο Διακόπτης Dip 4 επιτρέπει την επιλογή πολλαπλών ακίδων.

Εντοπισμός των διακοπών dip και των παρακαμπτηρίων στον πίνακα του ελεγκτή εξοικονόμησης:



Ένδειξη στον πίνακα του ελεγκτή εξοικονόμησης:



- Υπάρχουν δύο λυχνίες LED στον πίνακα ελεγκτή εξοικονόμησης, πράσινου και κόκκινου χρώματος. Η πράσινη λυχνία LED θα αναβοσβήνει όταν ο πίνακας του ελεγκτή εξοικονόμησης είναι ενεργός. Η κόκκινη λυχνία θα αναβοσβήνει όταν προκύπτουν λάθη. Ανατρέξτε στον παρακάτω πίνακα για κωδικούς σφάλματος και τη σημασία τους:-

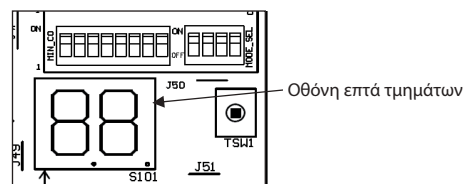
Κωδικός Σφάλματος	Σφάλμα
F0	Λάθος/δυσλειτουργία ενεργοποιητή φρέσκου αέρα
F1	Λάθος/δυσλειτουργία επιστροφής ενεργοποιητή αέρα
F2	Σφάλμα επικοινωνίας
F3	Μικρός αισθητήρας CO ₂
F4	Ανοικτός αισθητήρας CO ₂
F5	Μικρός δεξιός αισθητήρας φρέσκου αέρα
F6	Δεξιός αισθητήρας φρέσκου αέρα ανοικτός
F7	Μικρός δεξιός αισθητήρας επιστροφής αέρα
F8	Δεξιός αισθητήρας αέρα ανοικτός
F9	Ενεργοποίηση προστασίας ενεργοποιητή
FA	Επιλογή πολλαπλών ακίδων στο Διακόπτη Dip 1, 2 ή 3

Σημείωση

Όταν προκύψει το σφάλμα και παραμένει, παρακαλώ επικοινωνήστε με τον εξουσιοδοτημένο τοπικό αντιπρόσωπο/τον τεχνικό του σέρβις. Ωστόσο, όλα τα σφάλματα που συμβαίνουν στον πίνακα του ελεγκτή εξοικονόμησης δεν θα επηρεάσουν την κανονική λειτουργία της μονάδας οροφής.

Σημείωση

Οι κώδικες σφάλματος θα εμφανιστούν στο έβδομο τμήμα της οθόνης στον πίνακα του ελεγκτή εξοικονόμησης.



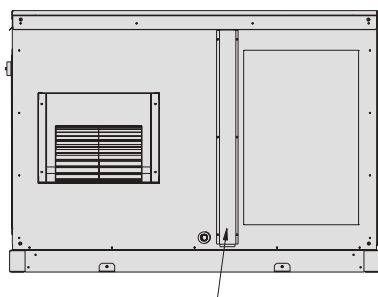
Σημείωση ισχύει μόνο για την Τουρκία: Η διάρκεια ζωής των προϊόντων μας είναι δέκα (10) έτη

ΣΕΡΒΙΣ ΤΟΥ ΦΙΛΤΡΟΥ

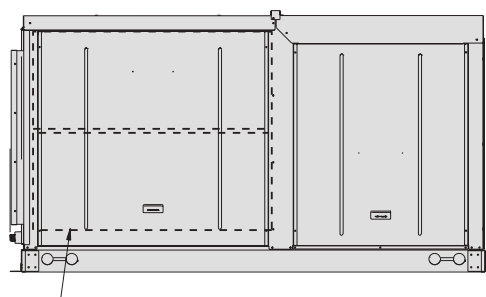
- Αφαιρέστε τη σκόνη που είναι προσκολλημένη στο φίλτρο με μια ηλεκτρική σκούπα ή χλιαρό νερό (κάτω από 40°C) με ουδέτερο απορρυπαντικό.
- Ξεπλύντε καλά το φίλτρο και στεγνώστε το πριν το επανατοποθετήσετε στη μονάδα.
- Μην χρησιμοποιείτε βενζίνη, πτητικές ουσίες ή χημικά για τον καθαρισμό του φίλτρου.
- Καθαρίζετε το φίλτρο τουλάχιστον μία φορά κάθε 2 εβδομάδες, ή πιο συχνά, αν είναι απαραίτητο.

Θέση του φίλτρου

Τα φίλτρα είναι τοποθετημένα μπροστά από τον εναλλάκτη θερμότητας εσωτερικού χώρου. Η μονάδα που απεικονίζεται είναι η UATYQ250. Για τα άλλα μοντέλα ισχύει η ίδια μέθοδος.

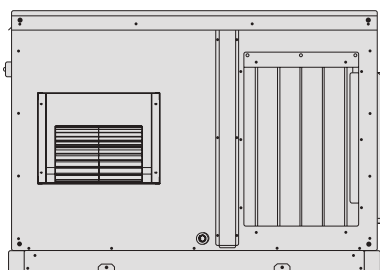


Αφαιρέστε το κάλυμμα του φίλτρου για να κάνετε σέρβις στο φίλτρο.



Εναλλακτικά, αφαιρέστε τον πλαϊνό πίνακα για να κάνετε σέρβις στο φίλτρο.

Για μονάδα που εγκαταστάθηκε μαζί με το κιτ εξοικονόμησης, υπάρχει ένα επιπλέον φίλτρο το οποίο είναι τοποθετημένο στην κάτω πλευρά του καλύμματος. Η μονάδα που απεικονίζεται στο διάγραμμα είναι η UATYQ250+το κιτ εξοικονόμησης (τοποθετείται στο χώρο εγκατάστασης). Για τα άλλα μοντέλα ισχύει η ίδια μέθοδος.



Κάλυμμα (τοποθετείται στο χώρο εγκατάστασης)

Αφαιρέστε το κάλυμμα του φίλτρου στο κάλυμμα για να κάνετε σέρβις στο φίλτρο.



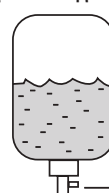
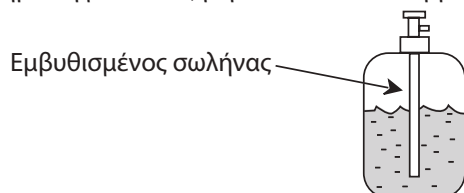
ΠΡΟΣΟΧΗ

Σιγουρευτείτε ότι το φίλτρο είναι σωστά τοποθετημένο και το κάλυμμα του φίλτρου είναι στερεωμένο με βίδες σφιχτά ύστερα από το σέρβις για να αποφευχθεί η διαρροή νερού. Αν χρειάζεται, το αδιάβροχο στεγανοποιητικό θα εφαρμοστεί για να διασφαλιστεί το αδιάβροχο φινίρισμα στο κάλυμμα του φίλτρου και στο κάλυμμα.

ΕΚΚΕΝΩΣΗ ΚΑΙ ΠΛΗΡΩΣΗ

Οι αυτόνομες μονάδες στέγης διαθέτουν εργοστασιακή πλήρωση με επαρκή ποσότητα ψυκτικού μέσου. Ωστόσο, ενδέχεται να χρειάζεται να ανακτηθεί η πλήρωση κατά το σέρβις ή τις εργασίες συντήρησης. Για το λόγο αυτόν, πρέπει να λαμβάνονται ορισμένες προφυλάξεις για να διασφαλιστεί η βέλτιστη λειτουργία χωρίς προβλήματα:

- Το σύστημα θα πρέπει να εκκενωθεί πλήρως για να διασφαλιστεί ότι δεν παραμένουν στο σύστημα ασυμπίεστα αέρια ή υγρασία.
- Χρησιμοποιήστε μια αντλία κενού αποκλειστικά για το R410A. Αν χρησιμοποιηθεί η ίδια αντλία κενού για διαφορετικά ψυκτικά μέσα, ενδέχεται να προκληθεί ζημιά στην αντλία κενού ή στη μονάδα.
- Το ψυκτικό μέσο δεν πρέπει να απελευθερώνονται ποτέ στην ατμόσφαιρα.
- Κατά την πλήρωση με R410A, βεβαιωθείτε ότι αναρροφάται μόνο υγρό από τον κύλινδρο ή το δοχείο.



Αναποδογυρίστε τον κύλινδρο αν δεν υπάρχει εμβυθισμένος σωλήνας

Αναρρόφηση υγρού

Κανονικά, ο κύλινδρος ή το δοχείο με R410A διαθέτει εμβυθισμένο σωλήνα, ώστε να αναρροφάται υγρό. Ωστόσο, αν δεν υπάρχει εμβυθισμένος σωλήνας, γυρίστε ανάποδα τον κύλινδρο ή το δοχείο, ώστε να αναρροφάται υγρό από τη βαλβίδα στο κάτω μέρος.



ΠΡΟΣΟΧΗ

- Η πλήρωση με R410A πρέπει να εκτελείται σε υγρή μορφή. Συνήθως ο κύλινδρος ή το δοχείο με R410A διαθέτει εμβυθισμένο σωλήνα, ώστε να αναρροφάται υγρό. Αν δεν υπάρχει εμβυθισμένος σωλήνας, ο κύλινδρος πρέπει να γυρίσει ανάποδα, ώστε να αναρροφάται υγρό R410A από τη βαλβίδα.
- Αν υπάρχει διαρροή κατά τη λειτουργία, μην συμπληρώνετε ψυκτικό μέσο, γιατί έτσι μειώνεται η απόδοση της μονάδας. Εκκενώστε πλήρως τη μονάδα και μετά εκτελέστε πλήρωση της μονάδας με την ποσότητα νωπού R410A η οποία συνιστάται στις προδιαγραφές.

ΕΠΙΛΥΣΗ ΠΡΟΒΛΗΜΑΤΩΝ

Για ερωτήσεις σχετικά με ανταλλακτικά, παρακαλούμε επικοινωνήστε με τον εξουσιοδοτημένο αντιπρόσωπο. Αν διαπιστώσετε δυσλειτουργία του κλιματιστικού, μελετήστε τις παρακάτω καταστάσεις και αιτίες σφάλματος για να βρείτε απλές συμβουλές για την επίλυση του προβλήματος.

Πρόβλημα	Αιτίες	Ενέργεια
Η μονάδα δεν λειτουργεί.	<ul style="list-style-type: none"> ● Διακοπή ρεύματος. ● Η ασφάλεια έχει καεί ή ο ασφαλειοδιακόπτης έχει ενεργοποιηθεί. ● Η φάση καλωδίωσης της τροφοδοσίας ρεύματος είναι εσφαλμένη. 	<ul style="list-style-type: none"> ▶ ● Πιέστε το κουμπί [ON/OFF] αφότου αποκατασταθεί η παροχή. ▶ ● Αντικαταστήστε την ασφάλεια ή επαναφέρατε τον ασφαλειοδιακόπτη. ▶ ● Αλλάξτε τη φάση καλωδίωσης.
Ο συμπιεστής δεν λειτουργεί εντός 3 λεπτών από την εκκίνηση της μονάδας.	<ul style="list-style-type: none"> ● Προστασία κατά της συχνούς εκκίνησης. 	<ul style="list-style-type: none"> ▶ ● Περιμένετε 3 λεπτά για την έναρξη λειτουργίας του συμπιεστή.
Ο ρυθμός ροής του αέρα είναι χαμηλός.	<ul style="list-style-type: none"> ● Το φίλτρο έχει μπουκώσει με σκόνη και ακαθαρσίες. ● Υπάρχει εμπόδιο στην είσοδο ή την έξοδο αέρα των μονάδων. 	<ul style="list-style-type: none"> ▶ ● Καθαρίστε το φίλτρο. ▶ ● Αφαιρέστε το εμπόδιο.
Ο συμπιεστής λειτουργεί διαρκώς.	<ul style="list-style-type: none"> ● Το φίλτρο αέρα είναι βρόμικο. ● Η ρυθμισμένη θερμοκρασία είναι πολύ χαμηλή (για ψύξη). ● Η ρυθμισμένη θερμοκρασία είναι πολύ υψηλή (για θέρμανση). 	<ul style="list-style-type: none"> ▶ ● Καθαρίστε το φίλτρο αέρα. ▶ ● Ρυθμίστε ξανά τη θερμοκρασία.
Δεν παρέχεται ψυχρός αέρας στη λειτουργία ψύξης ή δεν παρέχεται ζεστός αέρας στη λειτουργία θέρμανσης.	<ul style="list-style-type: none"> ● Η ρυθμισμένη θερμοκρασία είναι πολύ υψηλή (για ψύξη). ● Η ρυθμισμένη θερμοκρασία είναι πολύ χαμηλή (για θέρμανση). 	<ul style="list-style-type: none"> ▶ ● Ρυθμίστε τη θερμοκρασία σε χαμηλότερη τιμή. ▶ ● Ρυθμίστε τη θερμοκρασία σε υψηλότερη τιμή.
Δεν παρέχεται αέρας στον κύκλο θέρμανσης (UATYQ250). Ή ο παρεχόμενος αέρας δεν είναι αρκετά ζεστός (UATYQ 350/450/550/600/700/900).	<ul style="list-style-type: none"> ● Η μονάδα βρίσκεται στον κύκλο απόψυξης. 	<ul style="list-style-type: none"> ▶ ● Περιμένετε λίγο. (Η λειτουργία συνεχίζεται μετά την απόψυξη.)

Αν το σφάλμα παραμένει, επικοινωνήστε με τον εξουσιοδοτημένο τοπικό αντιπρόσωπο/τον τεχνικό του σέρβις.

ΠΡΟΑΙΡΕΤΙΚΟ ΒΟΗΘΗΜΑ

ΚΙΤ ΕΞΟΙΚΟΝΟΜΗΣΗΣ

A Εισαγωγή

Το κιτ εξοικονόμησης είναι ένα βοήθημα που παρέχεται εργοστασιακά, αλλά απαιτεί εγκατάσταση επιτόπου. Το κιτ εξοικονόμησης είναι συμβατό για μοντέλα οροφής R410A Αν δεν είστε σίγουροι αν αυτό το κιτ μπορεί να χρησιμοποιηθεί με τη συγκεκριμένη μονάδα σας, παρακαλώ επικοινωνήστε με το εξουσιοδοτημένο τμήμα σέρβις. Το κιτ εξοικονόμησης επιτρέπει στον εξωτερικό αέρα να ανακατευθεί με τον αέρα επιστροφής για "ελεύθερη" ψύξη αν η θερμοκρασία του εξωτερικού αέρα είναι κατάλληλη. Η ψύξη εξοικονομησης μπορεί να χρησιμοποιηθεί μονη της η σε συνδυασμο με τη μηχανική ψύξη. Πέρα απ' αυτό, το κιτ εξοικονομησης μπορεί να χρησιμοποιηθεί επίσης για να παρέχει εξαερισμο, πραγμα που θα βελτιώσει την ποιότητα του αερα στο εσωτερικο. Είναι ζωτικής σημασίας να κανετε σωστη επιλογη του κιτ εξοικονομησης, να ανατρεξετε στον πινακα παρακατω για οδηγιες επιλογης:

Αρ.	Μονάδα Οροφής	Κιτ εξοικονομησης συμβατο με τη μοναδα οροφής.
1	UATYQ250	ECONO250
2	UATYQ350	ECONO350
3	UATYQ450	ECONO450
4	UATYQ550	ECONO550
5	UATYQ600	ECONO600
6	UATYQ700	ECONO700
7	UATYQ900	ECONO900

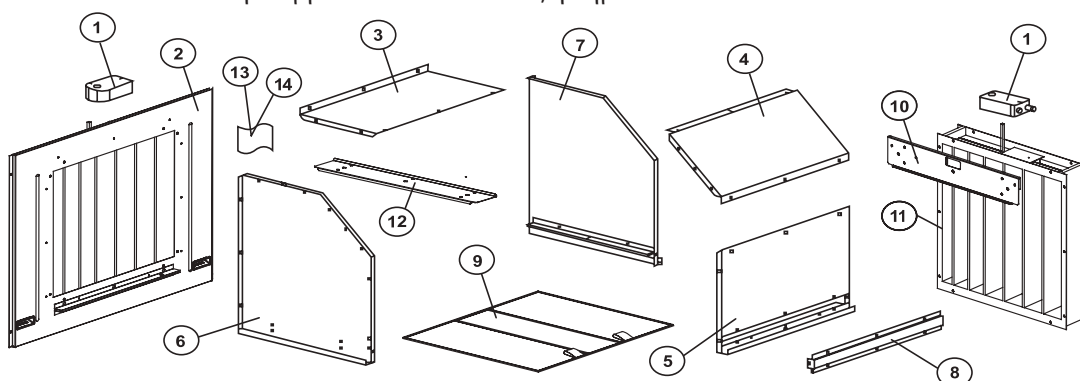
Σημείωση

Λαθος επιλογη μπορεί να καταστησει το κιτ ανικανο να συναρμολογηθει με τη μοναδα οροφής.

B Έλεγχος Προεγκαταστασης

(i) Περιεχόμενα του Κιτ Εξοικονόμησης

Πριν την εγκατάσταση, συνίσταται να ελέγξετε τα περιεχόμενα του κιτ εξοικονόμησης αφού αφαιρέσετε τη συσκευασία. Το κιτ περιλαμβάνει τα ακόλουθα εξαρτήματα:

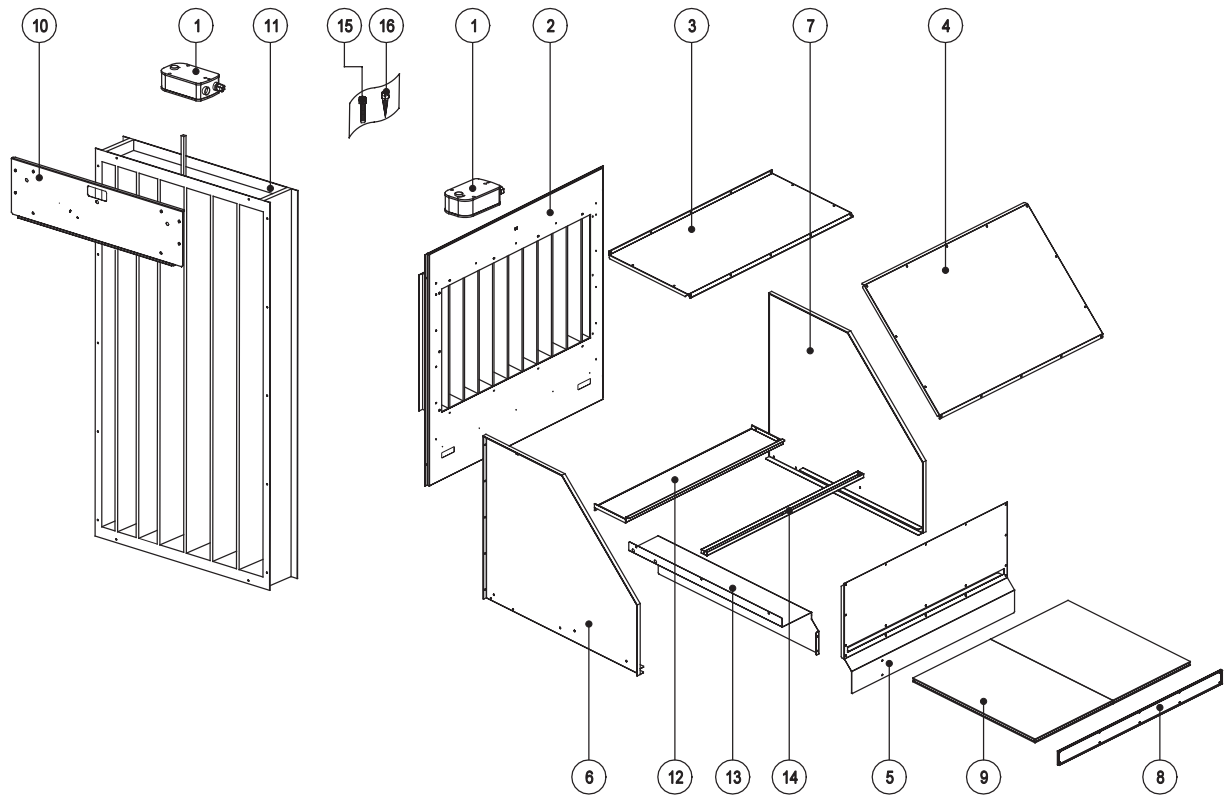


Αρ.	Περιγραφή εξαρτήματος	Ποσότητα (σετ)
1	Ενεργοποιητής Belimo, LF24-SR	2
2	Πλαϊνό πανελ με παροχέτευση του εξωτερικού αέρα	1
3	Περίβλημα, άνω πάνελ	1
4	Περίβλημα, κεντρικό πάνελ	1
5	Περίβλημα, κάτω πάνελ	1
6	Περίβλημα, πλαϊνό αριστερό πάνελ	1
7	Περίβλημα, πλαϊνό δεξί πάνελ	1

Αρ.	Περιγραφή εξαρτήματος	Ποσότητα (σετ)
8	Κάλυμμα φίλτρου	1
9	Φίλτρο	1
10	Βάση στήριξης, παροχέτευση αέρα επιστροφής	1
11	Παροχέτευση αέρα επιστροφής	1
12	Βάση στήριξης, ρήψη κάτω	1
13	Βίδα, M5x16	55
14	Βίδα, M4x12	4

* Η πλάκα υποστήριξης, καθοδική ροή (στοιχείο 12) δεν είναι διαθέσιμη στο μοντέλο ECONO700.

(ii) Περιεχόμενα του Κιτ Εξοικονόμησης UATY900



Αρ.	Περιγραφή εξαρτήματος	Ποσότητα (σετ)
1	Ενεργοποιητής Belimo, LF24-SR	2
2	Πλαϊνό πανελ με παροχέτευση του εξωτερικού αέρα	1
3	Περίβλημα, άνω πάνελ	1
4	Περίβλημα, κεντρικό πάνελ	1
5	Περίβλημα, εμπρός πάνελ	1
6	Περίβλημα, πλαϊνό αριστερό πάνελ	1
7	Περίβλημα, πλαϊνό δεξιό πάνελ	1
8	Κάλυμμα φίλτρου	1

Αρ.	Περιγραφή εξαρτήματος	Ποσότητα (σετ)
9	Φίλτρο	1
10	Βάση στήριξης, παροχέτευση αέρα επιστροφής	1
11	Παροχέτευση αέρα επιστροφής	1
12	Περίβλημα, κάτω πάνελ	1
13	Φλάντζα, αέρα Περίβλημα	1
14	υποστήριξη Φίλτρο	1
15	Βίδα, M5x16	97
16	Βίδα, M4x12	4

Σημείωση

Επικοινωνήστε με το τμήμα εξουσιοδοτημένου σερβις αν το εξάρτημα καταστραφεί ή είναι ελλιπές.

(iii) **Διάκενο Μονάδας (TITLE)**

Να παρέχετε αρκετό χώρο για τη ροή του αέρα, το σέρβις και την καλωδίωση αφού το κιτ τοποθετηθεί επάνω στη μονάδα. Δεν θα υπάρξει κανένα εμπόδιο ροής αέρα σ' αυτό το χώρο. Ανατρέξτε στο μέρος (F) στο κεφάλαιο "ΕΓΚΑΤΑΣΤΑΣΗ ΤΗΣ ΜΟΝΑΔΑΣ" στο παρόν εγχειρίδιο. Αποτυχία να γίνει αυτό μπορεί να προκαλέσει χαμηλή ροή αέρα ή δυσλειτουργία της μονάδας.

(iv) Τοποθεσία εγκατάστασης

Ακολουθήστε τις συστάσεις που σας δίνονται στο μέρος (Α) στο κεφάλαιο "ΕΓΚΑΤΑΣΤΑΣΗ ΤΗΣ ΜΟΝΑΔΑΣ" στο παρόν εγχειρίδιο. Επιπλέον, δεν είναι απαραίτητο να λάβετε υπόψη την εγκατάσταση γύρω από το κιτ, όπου:

- Το διάκενο του περιβλήματος βροχής από το πάτωμα δεν πρέπει να έχει χιόνι ούτε συγκέντρωση νερού.
- Η είσοδος φρέσκου αέρα δεν πρέπει να κοιτά στην κατεύθυνση του άνεμου.
- Ο εξωτερικός αέρας πρέπει να είναι καθαρός και χωρίς οσμή, να συμβαδίζει με το όριο συγκέντρωσης για αρκετά σετ μόλυνσης βάσει των τοπικών προτύπων, και να μην υπερβαίνει την τιμή του ορίου κατωφλιού (TLV) όσον αφορά την τοξικότητα που ορίζεται από τα τοπικά πρότυπα.

(v) Λειτουργία Παροχέτευσης

Ελέγξτε τις δυο παροχέτευσεις στο κιτ εξοικονόμησης, που είναι τα αντικείμενα 2 και 11 στρέφοντας τον άξονα της παροχέτευσης +90° και -90° (τελείως ανοικτό έως τελείως κλειστό και αντιστρόφως). Η παροχέτευση να είναι ομαλή και εύκολη. Οποιασδήποτε ζημιές ή ανωμαλίες θα πρέπει να γνωστοποιηθούν στο τμήμα εξουσιοδοτημένο σέρβις.

C Εργαλεία και Υλικά που Απαιτούνται για την Εγκατάσταση

- | | |
|-------------------------------------------|---------------------------------------------|
| (i) Ηλεκτρικό κατσαβίδι με ασορτί πρίζες. | (vii) Ρυθμιζόμενο κλειδί (μικρό μέγεθος) |
| (ii) Ηλεκτρικό τρυπάνι με ασορτί πρίζες. | (viii) Λοστος και σφυρί |
| (iii) Μικρό επίπεδο κατσαβίδι | (ix) Στεγανοποιητικό καιρού (οπως σιλικονη) |
| (iv) Κόφτης | (x) Ροδέλα |
| (v) Κατσαβίδι τύπου Philip | (xi) Ετικετα ασφαλους κλειδωματος |
| (vi) Μετρητικη ταινια η χαρακας | (xii) Κολάρο |

D Οδηγίες Εγκατάστασης

(i) Εφαρμογή πλαϊνής επιστροφής (οριζόντια)

ΒΗΜΑ 1

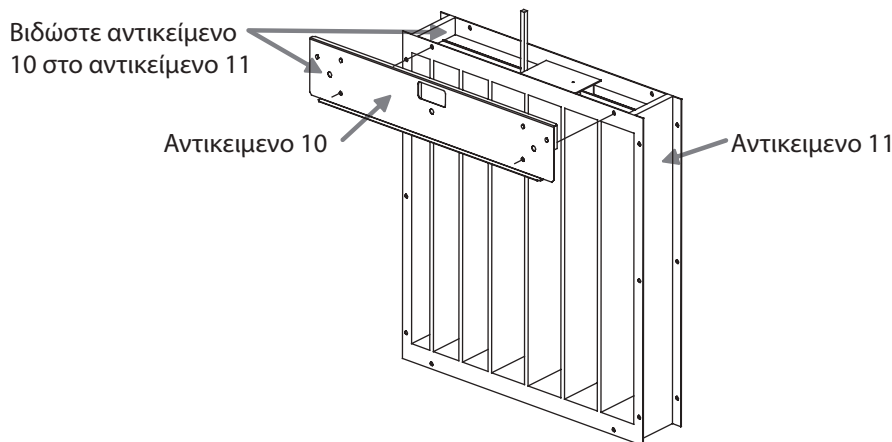
- Αποσυνδέστε την παροχή ρευματος στη μοναδα και εγκαταστήστε μια ετικετα ασφαλους κλειδωματος πριν την εγκατασταση, προμηθειας η επισκευης της μοναδας εξοικονομησης. Προετοιμάστε όλα τα εργαλεία που απαιτούνται όπως αναφέρεται παραπάνω.

ΒΗΜΑ 2

- Ξεπακετάρετε το ξύλινο κιβώτιο του κιτ εξοικονόμησης χρησιμοποιώντας λοστό και σφυρί. Μετά, αφαιρέστε τις πολυσακουλες που περιέχουν χαλαρά μέρη και δετικά, χρησιμοποιώντας τον κοφτή. Εκτελέστε έλεγχο προεγκαταστασης όπως αναφέρεται παραπάνω.

ΒΗΜΑ 3

- Προσαρτήστε τη βάση στήριξης, την παροχέτευση του αέρα επιστροφής (αντικείμενο 10) στην παροχέτευση του αέρα επιστροφής (αντικείμενο 11) χρησιμοποιώντας βίδα M5x16 (αντικείμενο 13) που παρέχεται στο κιτ.



ΒΗΜΑ 4

- Τοποθετήστε 1 κομμάτι ενεργοποιητη Belimo LF24-SR (αντικείμενο 1) με ετικετα RA στην παροχέτευση του αέρα επιστροφής (αντικείμενο 11). Ευθυγραμμίστε και εισάγετε την τρύπα του ενεργοποιητη στον άξονα της παροχέτευσης.



ΠΡΟΣΟΧΗ 1

Η ρύθμιση προεπιλογής για την παροχέτευση αέρα (αντικείμενο 11) θα ανοίξει τελείως. Σιγουρευτείτε ότι αυτή η παροχέτευση είναι στην "πλήρως ανοικτή" θέση πριν να τοποθετήσετε τον ενεργοποιητη. Αποτυχία να γίνει αυτό θα προκαλέσει σφάλματα κατά τη διάρκεια της λειτουργίας της μονάδας.

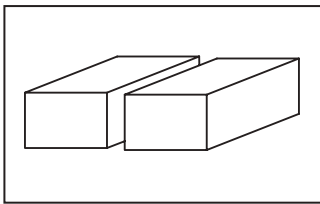


ΠΡΟΣΟΧΗ 2

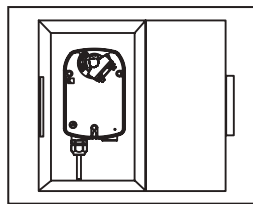
Η επιφάνεια του ενεργοποιητη η οποία κοιτά προς τα επάνω/εξω θα φέρει το σύμβολο 'L' για να διασφαλίσει την περιστροφή του ενεργοποιητη σε δεξιόστροφη κατεύθυνση. Αποτυχία να γίνει αυτό θα προκαλέσει σφάλματα κατά τη λειτουργία της μονάδας με τη λειτουργία του εξοικονομητη.

Σημείωση

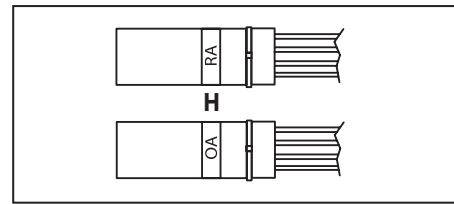
Υπάρχουν 2 τεμ. Ενεργοποιητή Belimo LF24-SR (αντικείμενο 1) με ετικέτα στο κιτ εξοικονομησης που συνοδεύει τα χάρτινα κιβώτια. Ανοίξτε τα κουτιά και αναγνωρίστε την ετικέτα στο καλώδιο. Ο ενεργοποιητής που χρησιμοποιείται στο βήμα 4 είναι αυτός με την ετικέτα "RA".



2 τεμ. Αντικείμενου 1 σε χάρτινα κουτιά.

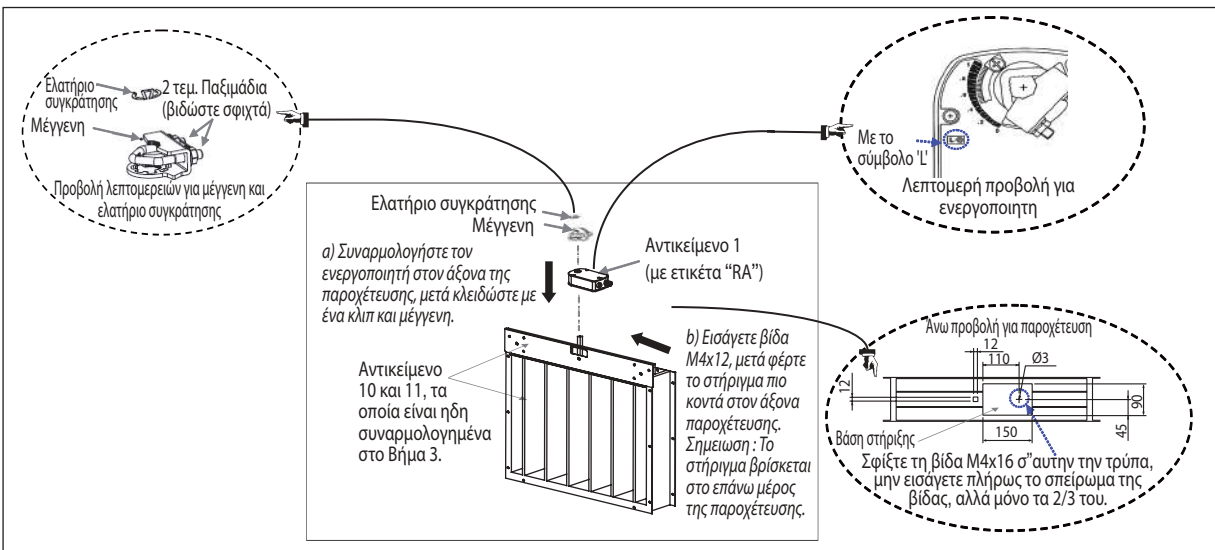


Ανοίξτε το κουτί.



Αναγνωρίστε την ετικέτα στο καλώδιο. Ένα από τα αντικείμενα υποδεικνύεται με το "RA", ενώ το άλλο με το "OA".

- Μετά, σφίγγει 1 βίδα M4x12 (αντικείμενο 14) στη βάση στήριξης της παροχέτευσης. Μην εισάγετε πλήρως το σπείρωμα της βίδας, αλλά μόνο τα 2/3 του. Τοποθετήστε τον ενεργοποιητή στη βάση στήριξης φέρνοντας τη βάση στήριξης πιο κοντά στον άξονα της παροχέτευσης. Η λειτουργία της βίδας M4x12 είναι να κλειδώνει τον ενεργοποιητή να μην γλιστρά κατά τη διαμόρφωση.
- Έπειτα, βάλτε τη μέγγενη μέσα στον άξονα και κλειδώστε τον ενεργοποιητή με ελατήριο συγκράτησης. Σφίξτε τα παξιμάδια της μέγγενης καλά χρησιμοποιώντας το ρυθμιζόμενο κλειδί. Σημειώστε ότι η μέγγενη και το ελατήριο συγκράτησης συνοδεύουν τον ενεργοποιητή όπως τα στάνταρ μέρη, θα τα βρείτε μέσα στο κουτί του ενεργοποιητή.

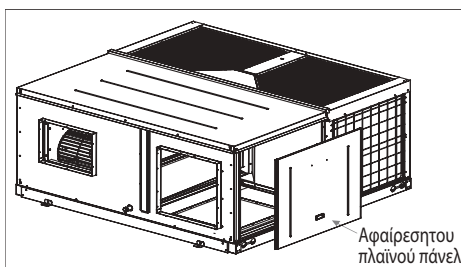


ΒΗΜΑ 5

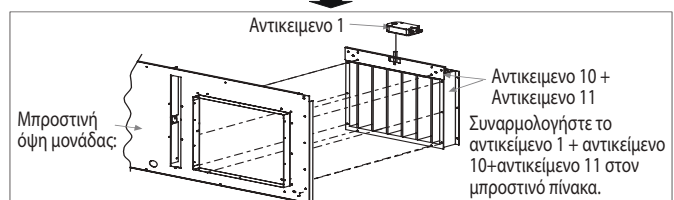
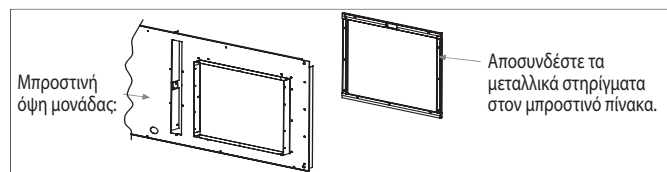
- Αφαίρεση του πλαινού πάνελ Μετά, αποσπάστε 4 τεμ. Μεταλλικού στηρίγματος στο μπροστινό πάνελ. Εγκαταστήστε την παροχέτευση του αέρα επιστροφής (αντικείμενο 11) + βάση στήριξης, παροχέτευση αέρα επιστροφής (αντικείμενο 10) + ενεργοποιητής Belimo, LF24-SR (αντικείμενο 1) που είναι ήδη συναρμολογημένα στο βήμα 3 και 4 στο μπροστινό πάνελ της μονάδας χρησιμοποιώντας τις ίδιες τρύπες βιδών. Χρησιμοποιήστε βίδα M5x16 (αντικείμενο 13) για να είναι σφιχτό.

ΠΡΟΣΟΧΗ

Επεκτείνετε τον αισθητήρα του αέρα επιστροφής ο οποίος βρίσκεται μέσα στη μονάδα (στο επάνω μέρος του ανοίγματος του αέρα επιστροφής) στην εξωτερική περιοχή της μονάδας. Αυτό μπορεί να γίνει δρομολογώντας τον αισθητήρα μέσω των μικρών οπών στη βάση στήριξης, παροχέτευση αέρα επιστροφής (αντικείμενο 10). Ο αισθητήρας τότε τοποθετείται κανονικά μέσα στον αεραγωγό του αέρα επιστροφής χρησιμοποιώντας τα κολάρα (παρέχεται στον τόπο εγκατάστασης). Αποτυχία τούτου, μπορεί να επηρεάσει την απόδοση της μονάδας και να προκαλέσει θερμική δυσφορία στους χρήστες.



Χρησιμοποιήστε οποιοδήποτε τρεις τρύπες στο αντικείμενο 10 για να δρομολογήσετε τον αισθητήρα του αέρα επιστροφής στο εξωτερικό μέρος της μονάδας.



ΒΗΜΑ 6

- Τοποθετήστε 1 κομμάτι ενεργοποιητή Belimo LF24-SR (αντικείμενο 1) 'ΟΑ' στο πλαϊνό πάνελ με την εξωτερική παροχέτευση του αέρα (αντικείμενο 2). Ευθυγραμμίστε και εισάγετε την τρύπα του ενεργοποιητή στον άξονα της παροχέτευσης.



ΠΡΟΣΟΧΗ 1

Η ρύθμιση προεπιλογής για την παροχέτευση εξωτερικού αέρα (αντικείμενο 2) θα κλείσει τελείως. Σιγουρευτείτε ότι αυτή η παροχέτευση είναι στην "πλήρως κλειστή" θέση πριν να τοποθετήσετε τον ενεργοποιητή. Αποτυχία να γίνει αυτό θα προκαλέσει σφάλματα κατά τη διάρκεια της κανονικής λειτουργίας της μονάδας.

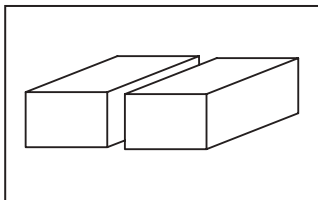


ΠΡΟΣΟΧΗ 2

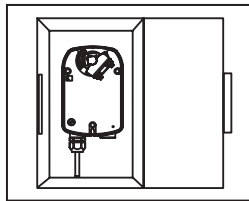
Η επιφάνεια του ενεργοποιητή η οποία κοιτά προς τα επάνω/εξω θα φέρει το σύμβολο 'R' για να διασφαλίσει την περιστροφή του ενεργοποιητή σε αριστερόστροφη κατεύθυνση. Αποτυχία να γίνει αυτό θα προκαλέσει σφάλματα κατά τη λειτουργία της μονάδας με τη λειτουργία του εξοικονομητή.

Σημείωση

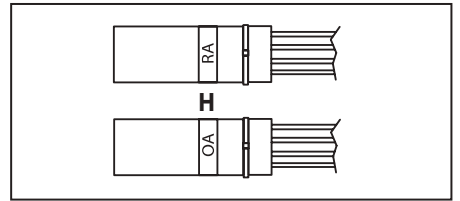
Υπάρχουν 2 τεμ. Ενεργοποιητή Belimo LF24-SR (αντικείμενο 1) στο κιτ εξοικονομησης που συνοδεύει τα χάρτινα κιβώτια. Ανοίξτε τα κουτιά και αναγνωρίστε την ετικέτα στο καλώδιο. Ο ενεργοποιητής που χρησιμοποιείται στο βήμα 6 είναι αυτός με την ετικέτα "ΟΑ".



2 τεμ. Αντικειμένου 1 σε χάρτινα κουτιά.

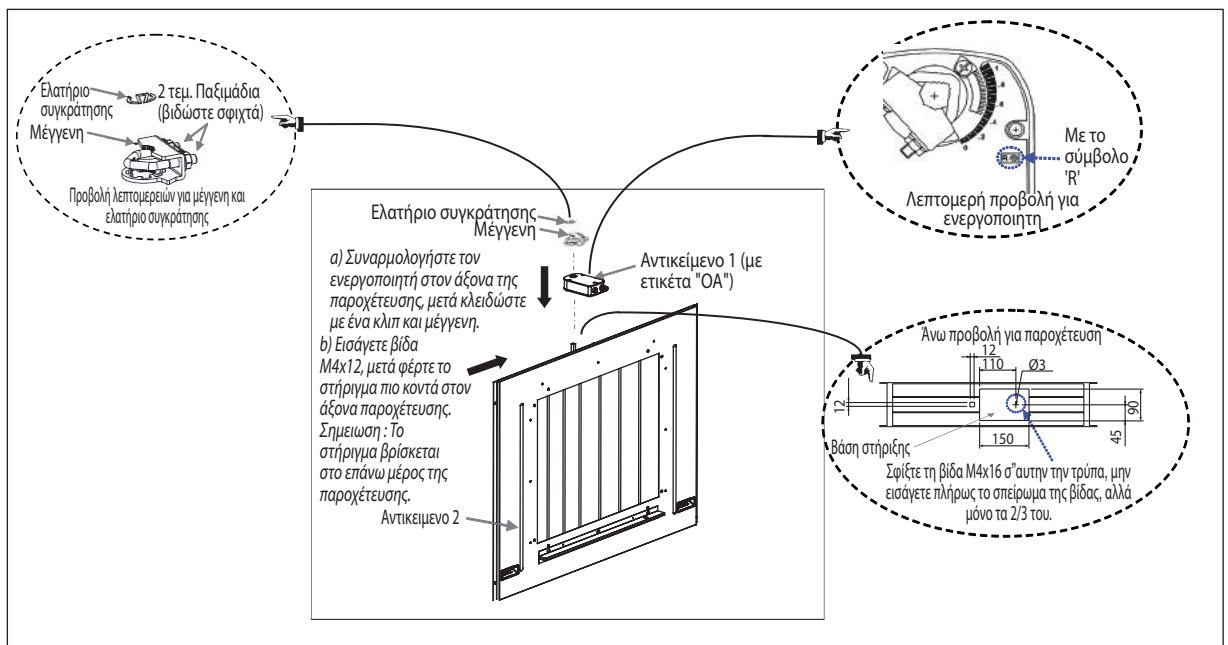


Ανοίξτε το κουτί.



Αναγνωρίστε την ετικέτα στο καλώδιο. Ένα από τα αντικείμενα υποδεικνύεται με το "RA", ενώ το άλλο με το "ΟΑ".

- Μετά, σφίγγει 1 βίδα M4x12 (αντικείμενο 14) στη βάση στήριξης της παροχέτευσης. Μην εισάγετε πλήρως το σπείρωμα της βίδας, αλλά μόνο τα 2/3 του. Τοποθετήστε τον ενεργοποιητή στη βάση στήριξης φέρνοντας τη βάση στήριξης πιο κοντά στον άξονα της παροχέτευσης., Η λειτουργία της βίδας M4x12 είναι να κλειδώνει τον ενεργοποιητή να μην γλιστρά κατά τη διαμόρφωση.
- Έπειτα, βάλτε τη μέγγενη μέσα στον άξονα και κλειδώστε τον ενεργοποιητή με ελατήριο συγκράτησης. Σφίξτε τα παξιμάδια της μέγγενης καλά χρησιμοποιώντας το ρυθμιζόμενο κλειδί. Σημειώστε ότι η μέγγενη και το ελατήριο συγκράτησης συνοδεύουν τον ενεργοποιητή όπως τα στάνταρ μέρη, θα τα βρείτε μέσα στο κουτί του ενεργοποιητή.

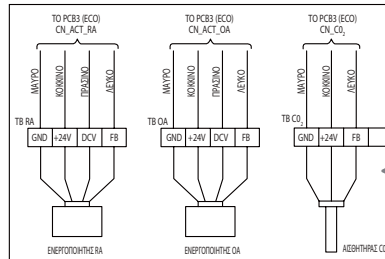


ΒΗΜΑ 7

- Συνδέστε τον ενεργοποιητή Belimo, LF24-SR (αντικείμενο 1) με ετικέτα "RA", η οποία τώρα τοποθετείται στην παροχέτευση συναρμολόγησης στον μπροστινό πάνελ μέχρι τη λωρίδα ακροδεκτών με ετικέτα "RA" μέσα στο κουτί συνδέσεων.
- Υπάρχουν τέσσερα καλώδια στον ενεργοποιητή με διαφορετικά χρώματα (μαύρο, κόκκινο, πράσινο και λευκό). Συνδέστε τα καλώδια όπως παρακάτω:

- Μαύρο καλώδιο - συνδέστε στον πρώτο πόλο της λωρίδας ακροδεκτών με ετικέτα "GND".
- Κόκκινο καλώδιο - συνδέστε στο δεύτερο πόλο της λωρίδας ακροδεκτών με ετικέτα "+24V".
- Πράσινο καλώδιο - συνδέστε στον τρίτο πόλο της λωρίδας ακροδεκτών με ετικέτα "DCV".
- Λευκό καλώδιο - συνδέστε στον τέταρτο πόλο της λωρίδας ακροδεκτών με ετικέτα "FB".

(Μπορείτε να ανατρέξετε στο αυτοκόλλητο διάγραμμα καλωδίωσης το οποίο τοποθετείται στο πρώτο κάλυμμα του κουτιού σύνδεσης.)



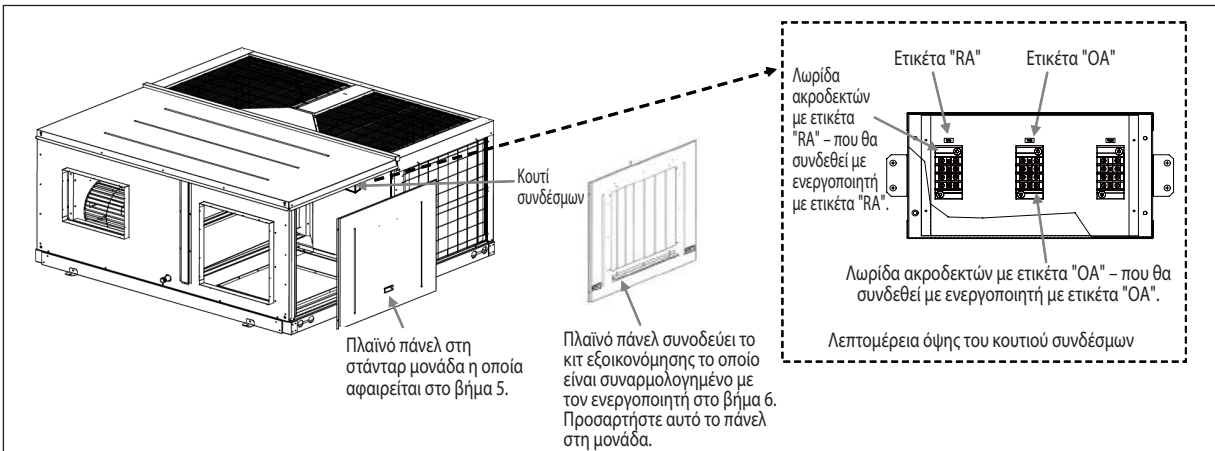
Το αυτοκόλλητο διάγραμμα καλωδίωσης στο μπροστινό κάλυμμα του κουτιού σύνδεσης.



ΠΡΟΣΟΧΗ

Λανθασμένη σύνδεση καλωδίων μπορεί να προκαλέσει τη δυσλειτουργία του ενεργοποιητή ή του πίνακα του ελεγκτή εξοικονόμησης ή και τα δύο. Δέστε τα καλώδια με κολάρα που αφαιρούνται στο κουτί συνδέσεων.

- Έπειτα, συνδέστε τον ενεργοποιητή Belimo, LF24-SR (αντικείμενο 1) με ετικέτα "OA", η οποία τώρα τοποθετείται στην παροχέτευση συναρμολόγησης στο πλαϊνό πάνελ μέχρι τη λωρίδα ακροδεκτών με ετικέτα "OA" μέσα στο κουτί συνδέσεων. Ακολουθήστε την ίδια μέθοδο που χρησιμοποιείται για σύνδεση καλωδίωσης ανάμεσα στον ενεργοποιητή "RA" και τη λωρίδα ακροδεκτών "RA". Έπειτα, προσαρτήστε το πλαϊνό πάνελ στη μονάδα. Μπορεί να χρειαστεί να κάνετε τις κατάλληλες διευθετήσεις στα καλώδια του ενεργοποιητή χρησιμοποιώντας κολάρα (παρέχεται στην εγκατάσταση) πριν προσαρτήσετε το πλαϊνό πάνελ στη μονάδα.

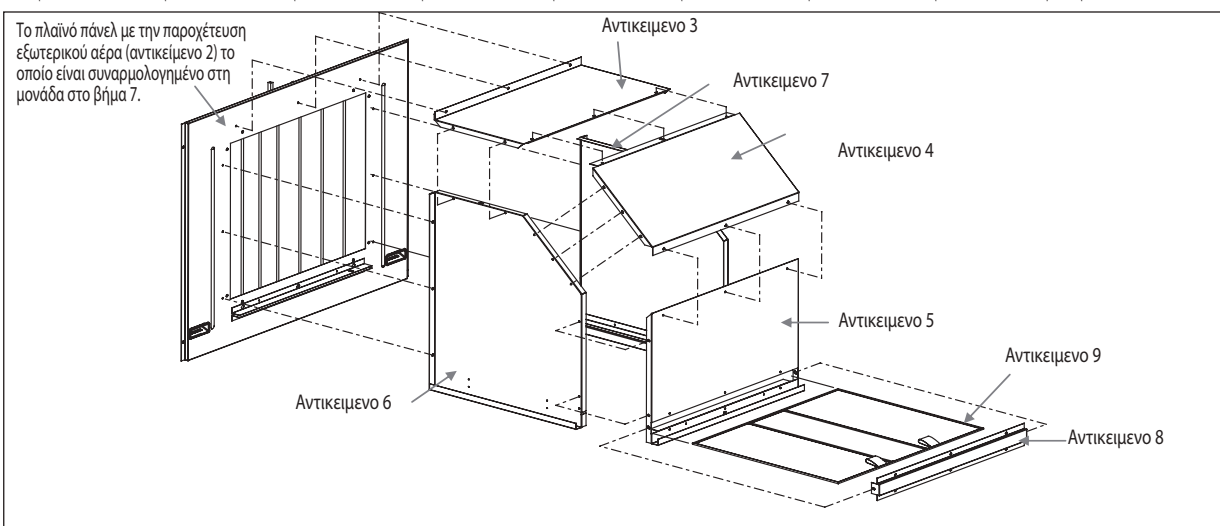


ΒΗΜΑ 8

- Για να δημιουργήσετε το περίβλημα βροχής, εγκαταστήστε τα χαλαρά μέρη (μεταλλικά μέρη) στο πλαϊνό πάνελ. Πριν απ' αυτό τοποθετήστε τη ροδέλα (παρέχεται στην εγκατάσταση) στο πλαϊνό πάνελ για λόγους στεγανοποίησης.
- Μετά, ακολουθήστε την αλληλουχία εγκατάστασης παρακάτω για να δημιουργήσετε το κάλυμμα βροχής:

Μοντέλο: UATYQ 250, 350, 450, 550, 600, 700

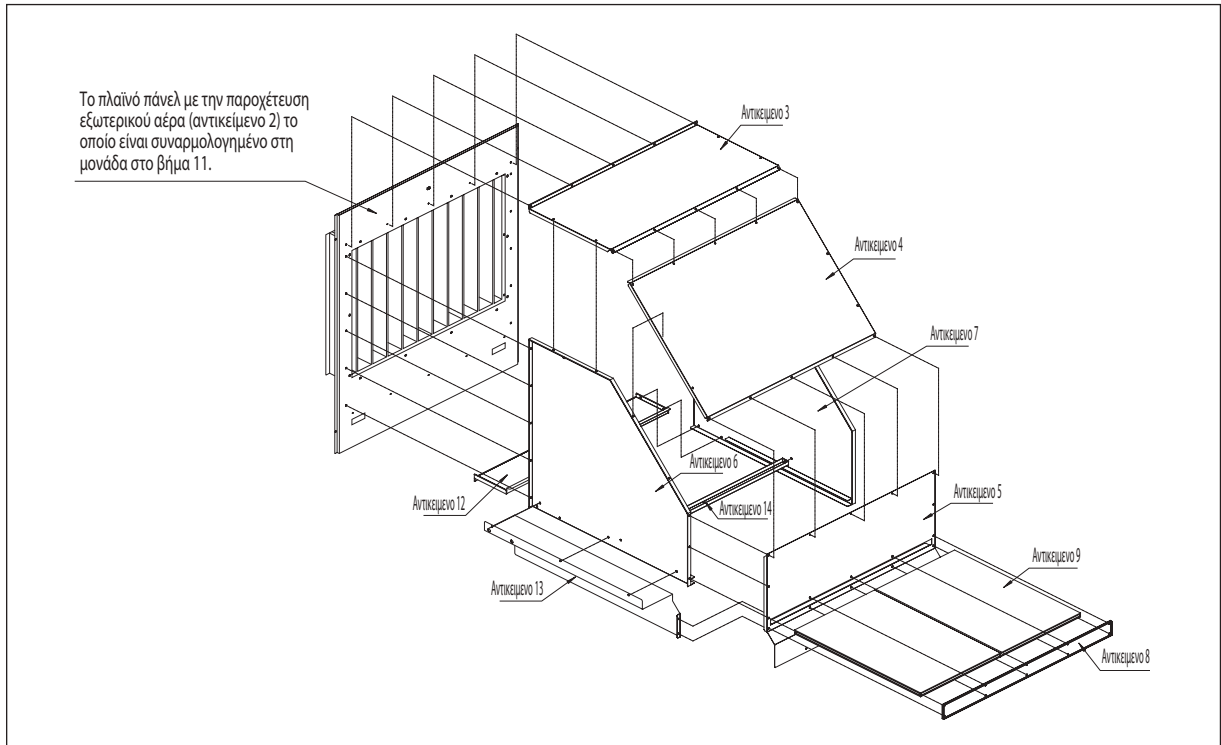
Βίδες
 Αντικείμενο 2 -----> Αντικείμενο 6 -----> Αντικείμενο 7 -----> Αντικείμενο 3 -----> Αντικείμενο 4 -----> Αντικείμενο 5 -----> Αντικείμενο 9 -----> Αντικείμενο 8 -----> Στεγανοποιητικό



- Συνιστάται να σφραγίσετε όλους τους συνδέσμους και τα κενά μ' αδιάβροχο στεγανωτικό υλικό (όπως σιλικόνη, που παρέχεται επιτόπου) έτσι ώστε να διασφαλιστεί ένα αδιάβροχο φινίρισμα στο κάλυμμα βροχής.

Μοντέλο: UATYQ 900

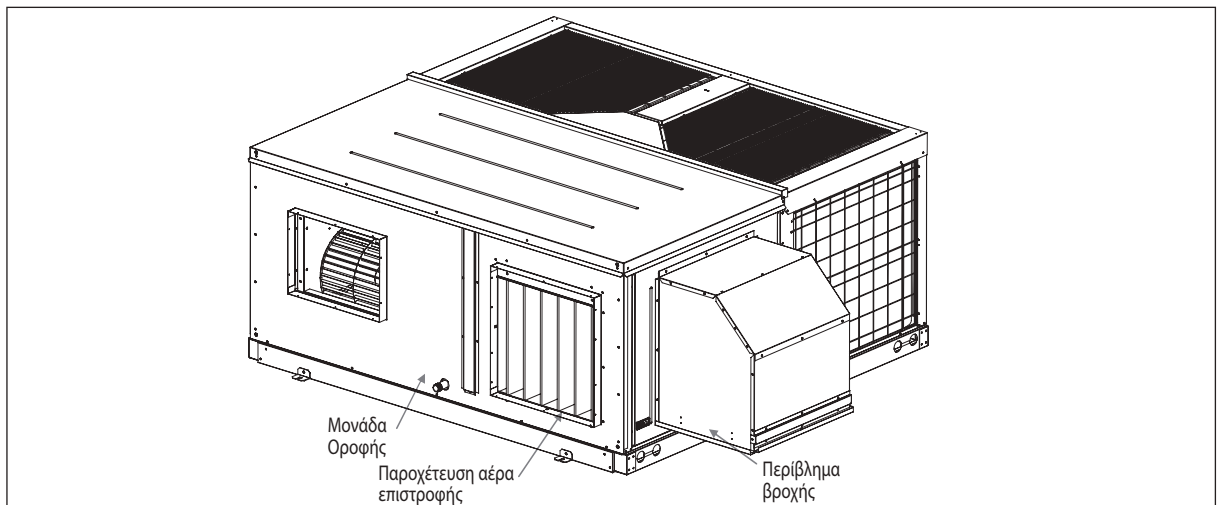
Βίδες
 Αντικείμενο 2 -----> Αντικείμενο 6 -----> Αντικείμενο 7 -----> Αντικείμενο 12 -----> Αντικείμενο 14 -----> Αντικείμενο 5 -----> Αντικείμενο 4 -----> Αντικείμενο 3 -----> Αντικείμενο 13 -----> Αντικείμενο 9 -----> Αντικείμενο 8 -----> Στεγανοποιητικό



- Συνιστάται να σφραγίσετε όλους τους συνδέσμους και τα κενά με αδιάβροχο στεγανωτικό υλικό (όπως σιλικόνη, που παρέχεται επιτόπου) έτσι ώστε να διασφαλιστεί ένα αδιάβροχο φινίρισμα στο κάλυμμα βροχής.

ΒΗΜΑ 9

- Τέλος, μπορείτε να δείτε τη μονάδα με το κιτ εξοικονόμησης όπως φαίνεται στο παρακάτω διάγραμμα:



Σημείωση

Η μονάδα που εμφανίζεται στα διαγράμματα από το βήμα 1 έως το βήμα 9 είναι UATYQ350. Για τα άλλα μοντέλα ισχύει η ίδια μέθοδος.

Η μονάδα που εμφανίζεται στα διαγράμματα από το βήμα 1 έως το βήμα 10 είναι UATYQ900. Για τα άλλα μοντέλα ισχύει η ίδια μέθοδος.

(ii) Εφαρμογή κάτω επιστροφής (κάθεται)

ΒΗΜΑ 1

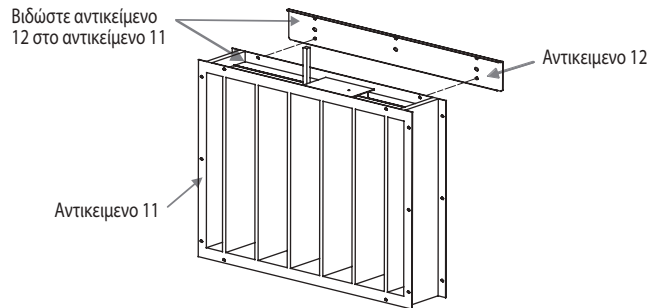
- Αποσυνδέστε την παροχή ρεύματος στη μονάδα και εγκαταστήστε μια ετικέτα ασφαλούς κλειδώματος πριν την εγκατάσταση, προμήθειας ή επισκευής της μονάδας εξοικονόμησης. Προετοιμάστε όλα τα εργαλεία που απαιτούνται όπως αναφέρεται παραπάνω.

ΒΗΜΑ 2

- Ξεπακετάρετε το ξύλινο κιβώτιο του κιτ εξοικονόμησης χρησιμοποιώντας λοστό και σφυρί. Μετά, αφαιρέστε τις πολυσακουλες που περιέχουν χαλαρά μέρη και δετικά, χρησιμοποιώντας τον κοφτή. Εκτελέστε έλεγχο προεγκατάστασης όπως αναφέρεται παραπάνω.

ΒΗΜΑ 3

- Προσαρτήστε τη βάση στήριξης, τη ρήψη κάτω (αντικείμενο 12) στην παροχέτευση του αέρα επιστροφής (αντικείμενο 11) χρησιμοποιώντας βίδα M5x16 (αντικείμενο 13) που παρέχεται στο κιτ.



Σημείωση

Η πλάκα υποστήριξης, καθοδική ροή (στοιχείο 12) δεν είναι διαθέσιμη στο μοντέλο ECONO 700 & 900. Για την εγκατάσταση του κιτ οικονομίας για αυτό το μοντέλο, αγνοήστε το βήμα 3 και προχωρήστε στο βήμα 4.

ΒΗΜΑ 4

- Τοποθετήστε 1 κομμάτι ενεργοποιητή Belimo LF24-SR (αντικείμενο 1) στην παροχέτευση του αέρα επιστροφής (αντικείμενο 11). Ευθυγραμμίστε και εισάγετε την τρύπα του ενεργοποιητή στον άξονα της παροχέτευσης.



ΠΡΟΣΟΧΗ 1

Η ρύθμιση προεπιλογής για την παροχέτευση αέρα (αντικείμενο 11) θα ανοίξει τελείως. Σιγουρευτείτε ότι αυτή η παροχέτευση είναι στην "πλήρως ανοικτή" θέση πριν να τοποθετήσετε τον ενεργοποιητή. Αποτυχία να γίνει αυτό θα προκαλέσει σφάλματα κατά τη διάρκεια της κανονικής λειτουργίας της μονάδας.

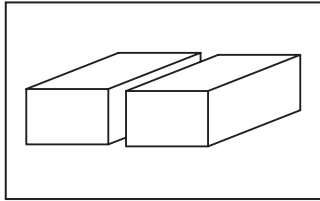


ΠΡΟΣΟΧΗ 2

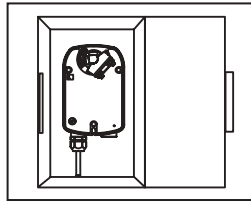
Η επιφάνεια του ενεργοποιητή η οποία κοιτά προς τα επάνω/εξω θα φέρει το σύμβολο 'L' για να διασφαλίσει την περιστροφή του ενεργοποιητή σε δεξιόστροφη κατεύθυνση. Αποτυχία να γίνει αυτό θα προκαλέσει σφάλματα κατά τη λειτουργία της μονάδας με τη λειτουργία του εξοικονομητή.

Σημείωση

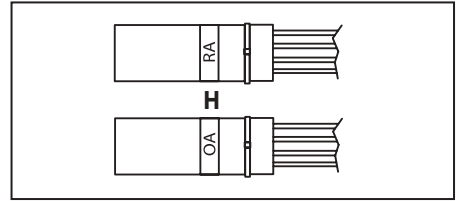
Υπάρχουν 2 τεμ. Ενεργοποιητή Belimo LF24-SR (αντικείμενο 1) στο κιτ εξοικονομησης που συνοδεύει τα χάρτινα κιβώτια. Ανοίξτε τα κουτιά και αναγνωρίστε την ετικέτα στο καλώδιο. Ο ενεργοποιητής που χρησιμοποιείται στο βήμα 4 είναι αυτός με την ετικέτα "RA".



2 τεμ. Αντικείμενου 1 σε χάρτινα κουτιά.

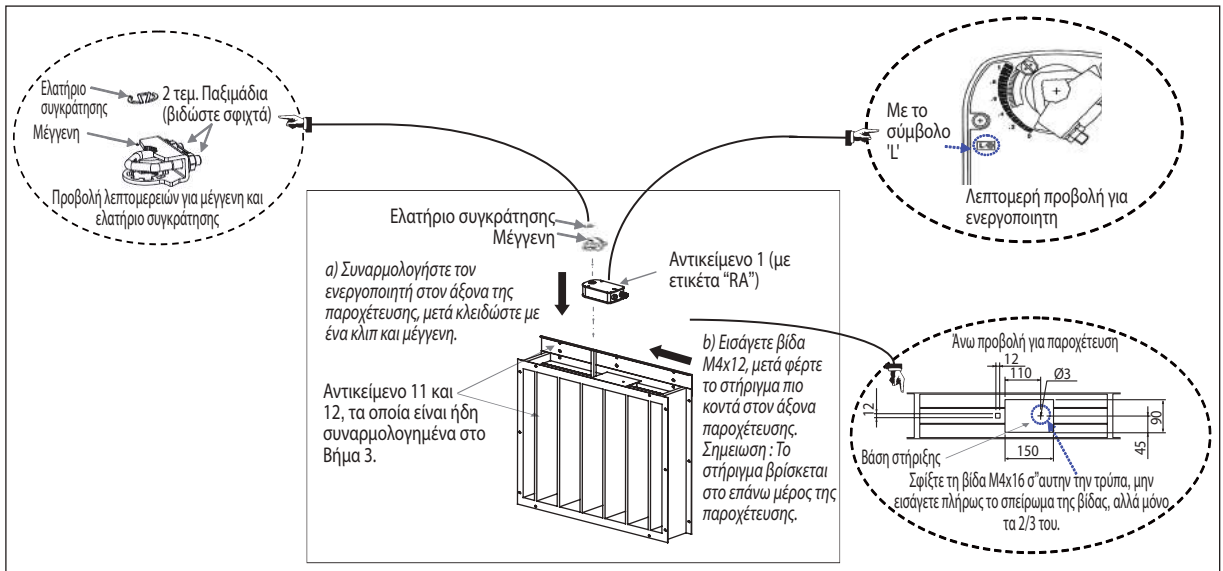


Ανοίξτε το κουτί.



Αναγνωρίστε την ετικέτα στο καλώδιο. Ένα από τα αντικείμενα υποδεικνύεται με το "RA", ενώ το άλλο με το "OA".

- Μετά, σφίγγει 1 βίδα M4x12 (αντικείμενο 14) στη βάση στήριξης της παροχέτευσης. Μην εισάγετε πλήρως το σπείρωμα της βίδας, αλλά μόνο τα 2/3 του. Τοποθετήστε τον ενεργοποιητή στη βάση στήριξης φέρνοντας τη βάση στήριξης πιο κοντά στον άξονα της παροχέτευσης., Η λειτουργία της βίδας M4x12 είναι να κλειδώνει τον ενεργοποιητή να μην γλιστρά κατά τη διαμόρφωση.
- Έπειτα, βάλτε τη μέγγενη μέσα στον άξονα και κλειδώστε τον ενεργοποιητή με ελατήριο συγκράτησης. Σφίξτε τα παξιμάδια της μέγγενης καλά χρησιμοποιώντας το ρυθμιζόμενο κλειδί. Σημειώστε ότι η μέγγενη και το ελατήριο συγκράτησης συνοδεύουν τον ενεργοποιητή όπως τα στάνταρ μέρη, θα τα βρείτε μέσα στο κουτί του ενεργοποιητή.



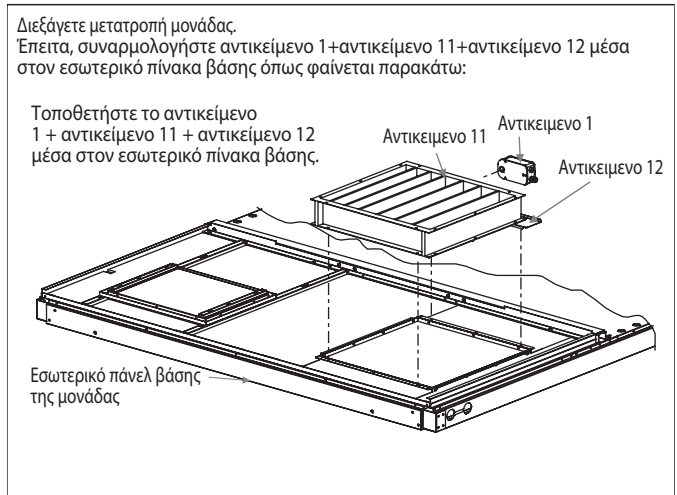
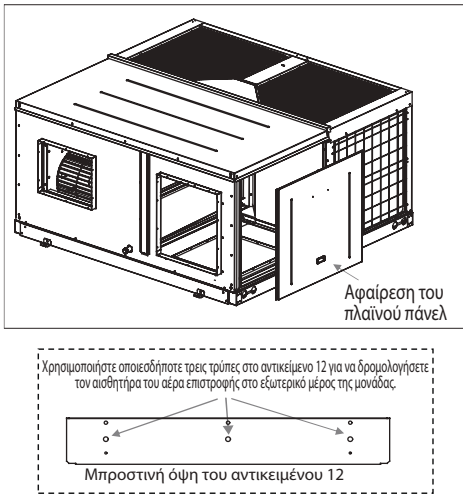
ΒΗΜΑ 5

- Αφαίρεση του πλαινού πάνελ Διεξάγετε μετατροπής μονάδας από τη στάνταρ μονάδα στη μονάδα ρήψης κάτω ακολουθώντας τα βήματα που ορίστηκαν στο μέρος (G) υπό το κεφάλαιο 'ΕΓΚΑΤΑΣΤΑΣΗ ΤΗΣ ΜΟΝΑΔΑΣ Σ' αυτό το εγχειρίδιο.
- Έπειτα, εγκαταστήστε την παροχέτευση του αέρα επιστροφής (αντικείμενο 11) + βάση στήριξης, ρήψη κάτω (αντικείμενο 12) + ενεργοποιητής Belimo, LF24-SR (αντικείμενο 1) που είναι ήδη συναρμολογημένα στο βήμα 3 και 4 μέσα στο εσωτερικό πάνελ βάσης της μονάδας χρησιμοποιώντας τη βίδα M5x16 (αντικείμενο 13).



ΠΡΟΣΟΧΗ

Επεκτείνετε τον αισθητήρα του αέρα επιστροφής ο οποίος βρίσκεται μέσα στη μονάδα (στο επάνω μέρος του ανοίγματος του αέρα επιστροφής) στην εξωτερική περιοχή της μονάδας. Αυτό μπορεί να γίνει δρομολογώντας τον αισθητήρα μέσω των μικρών οπών στη βάση στήριξης, ρήψη κάτω (αντικείμενο 12). Ο αισθητήρας τότε τοποθετείται κανονικά μέσα στον αεραγωγό του αέρα επιστροφής χρησιμοποιώντας τα κολάρα (παρέχεται στον τόπο εγκατάστασης). Αποτυχία τούτου, μπορεί να επηρεάσει την απόδοση της μονάδας και να προκαλέσει θερμική δυσφορία στους χρήστες. Για το μοντέλο ECON0700 και UATYQ700, η δρομολόγηση του αισθητήρα μπορεί να γίνει μέσα από τη μικρή οπή στη μεταλλική φλάντζα του ανοίγματος επιστροφής αέρα καθοδικής ροής.



ΒΗΜΑ 6

- Τοποθετήστε 1 κομμάτι ενεργοποιητή Belimo LF24-SR (αντικείμενο 1) στο πλαινό πάνελ με την εξωτερική παροχέτευση του αέρα (αντικείμενο 2). Ευθυγραμμίστε και εισάγετε την τρύπα του ενεργοποιητή στον άξονα της παροχέτευσης.



ΠΡΟΣΟΧΗ 1

Η ρύθμιση προεπιλογής για την παροχέτευση εξωτερικού αέρα (αντικείμενο 2) θα κλείσει τελείως. Σιγουρευτείτε ότι αυτή η παροχέτευση είναι στην "πλήρως κλειστή" θέση πριν να τοποθετήσετε τον ενεργοποιητή. Αποτυχία να γίνει αυτό θα προκαλέσει σφάλματα κατά τη διάρκεια της κανονικής λειτουργίας της μονάδας.

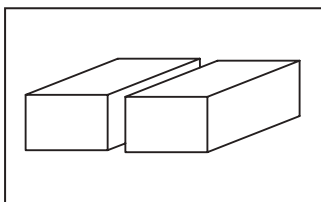


ΠΡΟΣΟΧΗ 2

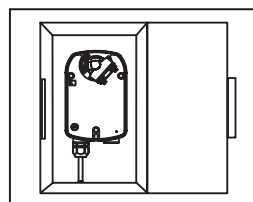
Η επιφάνεια του ενεργοποιητή η οποία κοιτά προς τα επάνω/εξω θα φέρει το σύμβολο 'R' για να διασφαλίσει την περιστροφή του ενεργοποιητή σε αριστερόστροφη κατεύθυνση. Αποτυχία να γίνει αυτό θα προκαλέσει σφάλματα κατά τη λειτουργία της μονάδας με τη λειτουργία του εξοικονομητή.

Σημείωση

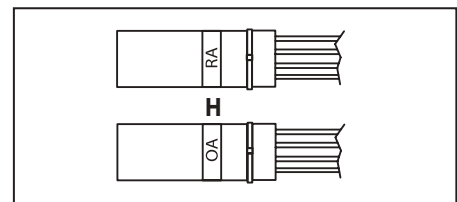
Υπάρχουν 2 τεμ. Ενεργοποιητή Belimo LF24-SR (αντικείμενο 1) στο κιτ εξοικονομησης που συνοδεύει τα χάρτινα κιβώτια. Ανοίξτε τα κουτιά και αναγνωρίστε την ετικέτα στο καλώδιο. Ο ενεργοποιητής που χρησιμοποιείται στο βήμα 6 είναι αυτός με την ετικέτα "OA".



2 τεμ. Αντικειμένου 1 σε χάρτινα κουτιά.

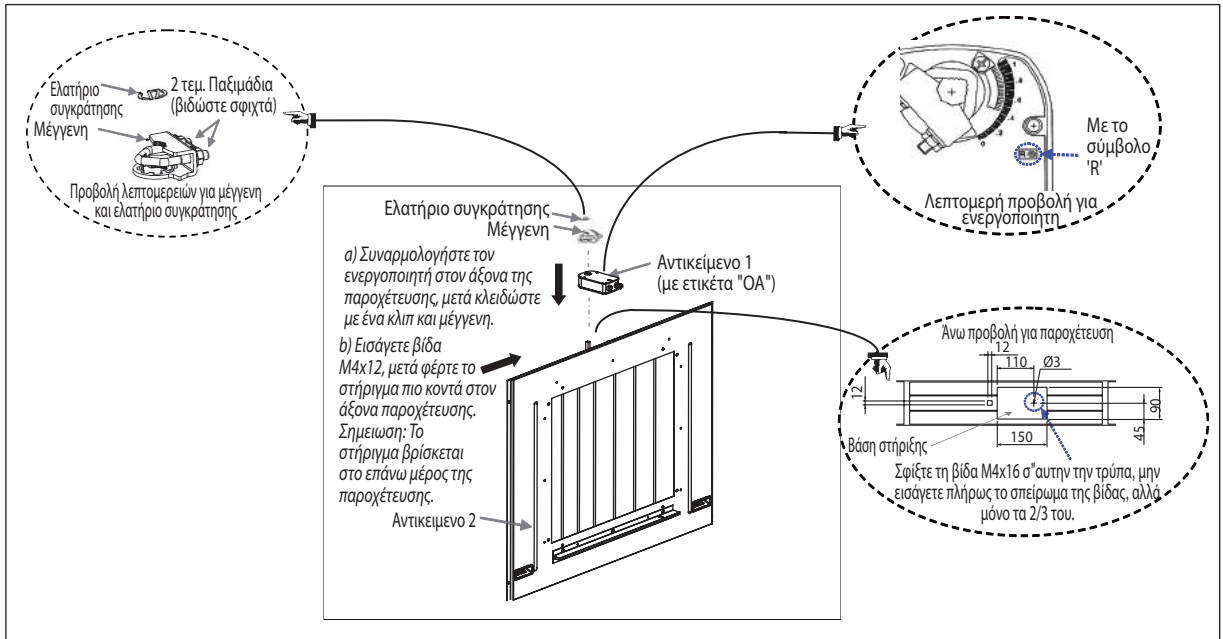


Ανοίξτε το κουτί.



Αναγνωρίστε την ετικέτα στο καλώδιο. Ένα από τα αντικείμενα υποδεικνύεται με το "RA", ενώ το άλλο με το "OA".

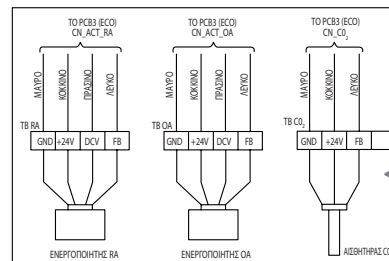
- Μετά, σφίγγει 1 βίδα M4x12 (αντικείμενο 14) στη βάση στήριξης της παροχέτευσης. Μην εισάγετε πλήρως το σπείρωμα της βίδας, αλλά μόνο τα 2/3 του. Τοποθετήστε τον ενεργοποιητή στη βάση στήριξης φέρνοντας τη βάση στήριξης πιο κοντά στον άξονα της παροχέτευσης. Η λειτουργία της βίδας M4x12 είναι να κλειδώνει τον ενεργοποιητή να μην γλιστρά κατά τη διαμόρφωση.
- Έπειτα, βάλτε τη μέγγενη μέσα στον άξονα και κλειδώστε τον ενεργοποιητή με ελατήριο συγκράτησης. Σφίξτε τα παξιμάδια της μέγγενης καλά χρησιμοποιώντας το ρυθμιζόμενο κλειδί. Σημειώστε ότι η μέγγενη και το ελατήριο συγκράτησης συνοδεύουν τον ενεργοποιητή όπως τα στάνταρ μέρη, θα τα βρείτε μέσα στο κουτί του ενεργοποιητή.



ΒΗΜΑ 7

- Συνδέστε τον ενεργοποιητή Belimo, LF24-SR (αντικείμενο 1) με την ετικέτα "RA", η οποία βρίσκεται τώρα στην παροχέτευση συναρμολόγησης στο εσωτερικό πάνελ βάσης μέχρι τη λωρίδα ακροδεκτών με την ετικέτα "RA" μέσα στο κουτί συνδέσμων.
- Υπάρχουν τέσσερα καλώδια στον ενεργοποιητή με διαφορετικά χρώματα (μαύρο, κόκκινο, πράσινο και λευκό). Συνδέστε τα καλώδια όπως παρακάτω:

- Μαύρο καλώδιο - συνδέστε στον πρώτο πόλο της λωρίδας ακροδεκτών με ετικέτα 'GND'.
- Κόκκινο καλώδιο - συνδέστε στο δεύτερο πόλο της λωρίδας ακροδεκτών με ετικέτα '+24V'.
- Πράσινο καλώδιο - συνδέστε στον τρίτο πόλο της λωρίδας ακροδεκτών με ετικέτα 'DCV'.
- Λευκό καλώδιο - συνδέστε στον τέταρτο πόλο της λωρίδας ακροδεκτών με ετικέτα 'FB'.
- (Μπορείτε να ανατρέξετε στο αυτοκόλλητο διάγραμμα καλωδίωσης το οποίο τοποθετείται στο πρώτο κάλυμμα του κουτιού σύνδεσης.)



Το αυτοκόλλητο διάγραμμα καλωδίωσης στο μπροστινό κάλυμμα του κουτιού σύνδεσης.

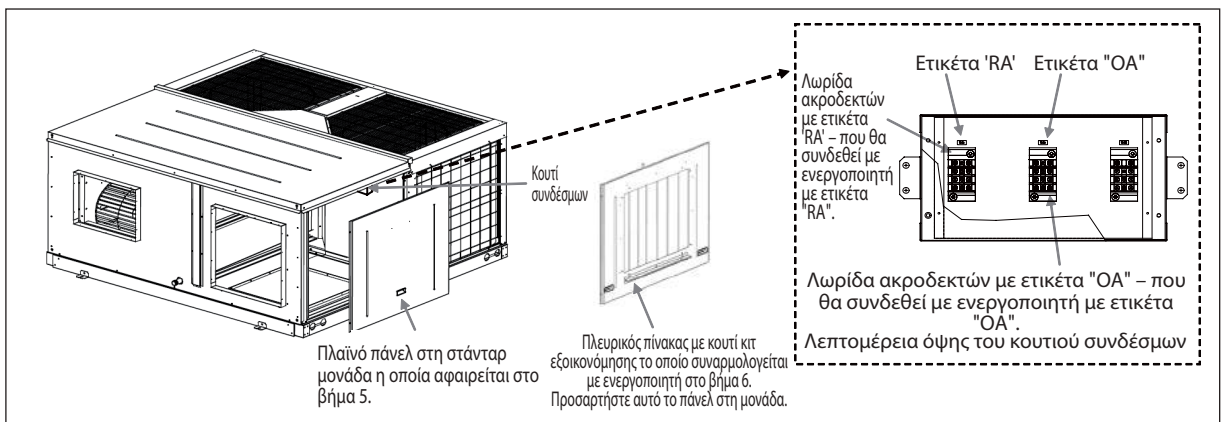
ΕΜΗΝΙΚΑ



ΠΡΟΣΟΧΗ

Λανθασμένη σύνδεση καλωδίων μπορεί να προκαλέσει τη δυσλειτουργία του ενεργοποιητή ή του πίνακα του ελεγκτή εξοικονόμησης ή και τα δύο. Δέστε τα καλώδια με κολάρα που αφαιρούνται στο κουτί συνδέσμων.

- Έπειτα, συνδέστε τον ενεργοποιητή Belimo, LF24-SR (αντικείμενο 1) με ετικέτα "OA", η οποία τώρα τοποθετείται στην παροχέτευση συναρμολόγησης στο πλαϊνό πάνελ μέχρι τη λωρίδα ακροδεκτών με ετικέτα "OA" μέσα στο κουτί συνδέσμων. Ακολουθήστε την ίδια μέθοδο που χρησιμοποιείται για σύνδεση καλωδίωσης ανάμεσα στον ενεργοποιητή "RA" και τη λωρίδα ακροδεκτών "RA". Έπειτα, προσαρτήστε το πλαϊνό πάνελ στη μονάδα. Μπορεί να χρειαστεί να κάνετε τις κατάλληλες διευθετήσεις στα καλώδια του ενεργοποιητή χρησιμοποιώντας κολάρα (παρέχεται στην εγκατάσταση) πριν προσαρτήσετε το πλαϊνό πάνελ στη μονάδα.

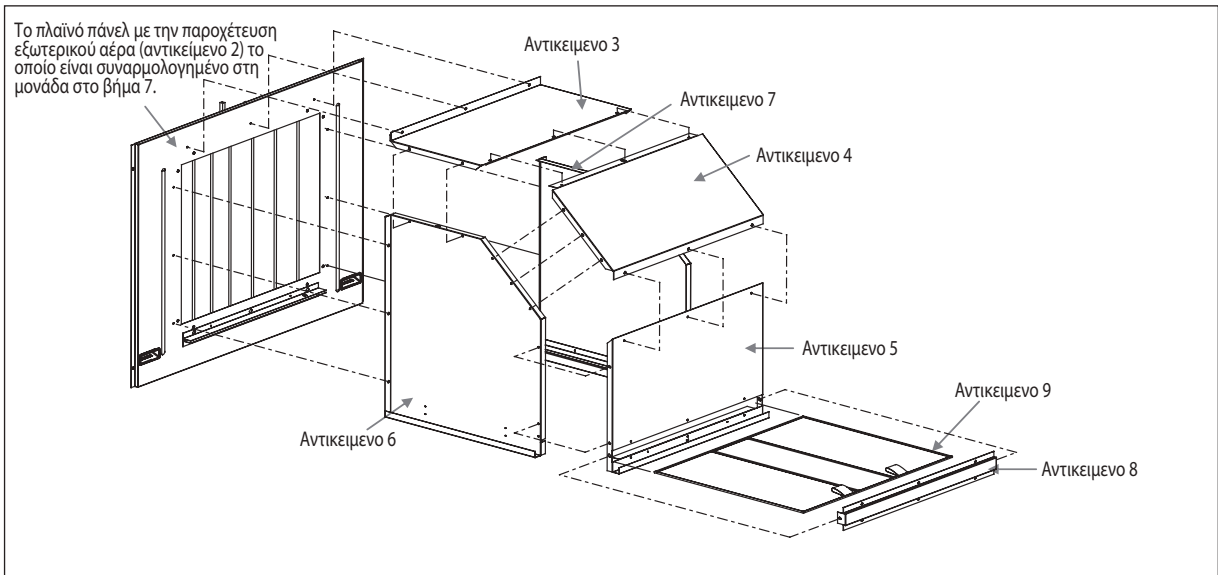


ΒΗΜΑ 8

- Για να δημιουργήσετε το περίβλημα βροχής, εγκαταστήστε τα χαλαρά μέρη (μεταλλικά μέρη) στο πλαίσιο πάνελ. Πριν απ' αυτό τοποθετήστε τη ροδέλα (παρέχεται στην εγκατάσταση) στο πλαίσιο πάνελ για λόγους στεγανοποίησης.
- Μετά, ακολουθήστε την αλληλουχία εγκατάστασης παρακάτω για να δημιουργήσετε το κάλυμμα βροχής:

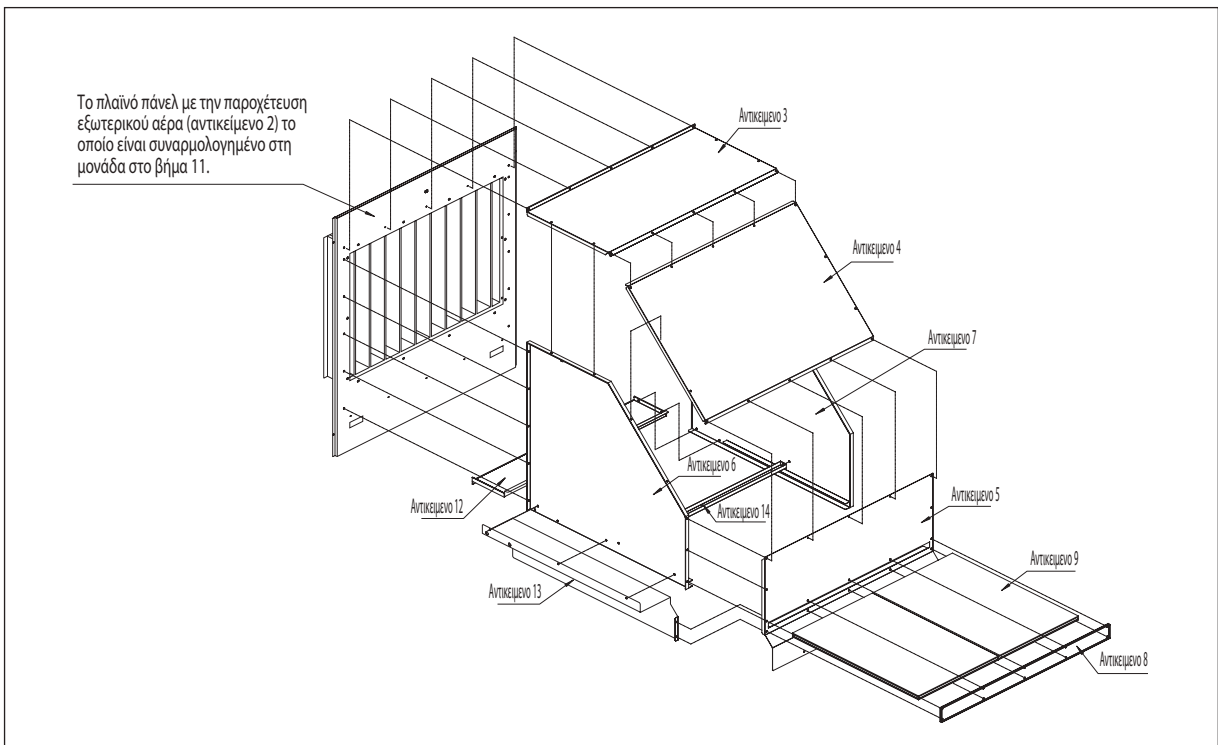
Μοντέλο: UATYQ 250, 350, 450, 550, 600, 700

Βίδες
Αντικείμενο 2 -----> Αντικείμενο 6 -----> Αντικείμενο 7 -----> Αντικείμενο 3 -----> Αντικείμενο 4 -----> Αντικείμενο 5 -----> Αντικείμενο 9 -----> Αντικείμενο 8 -----> Στεγανοποιητικό



Μοντέλο: UATYQ 900

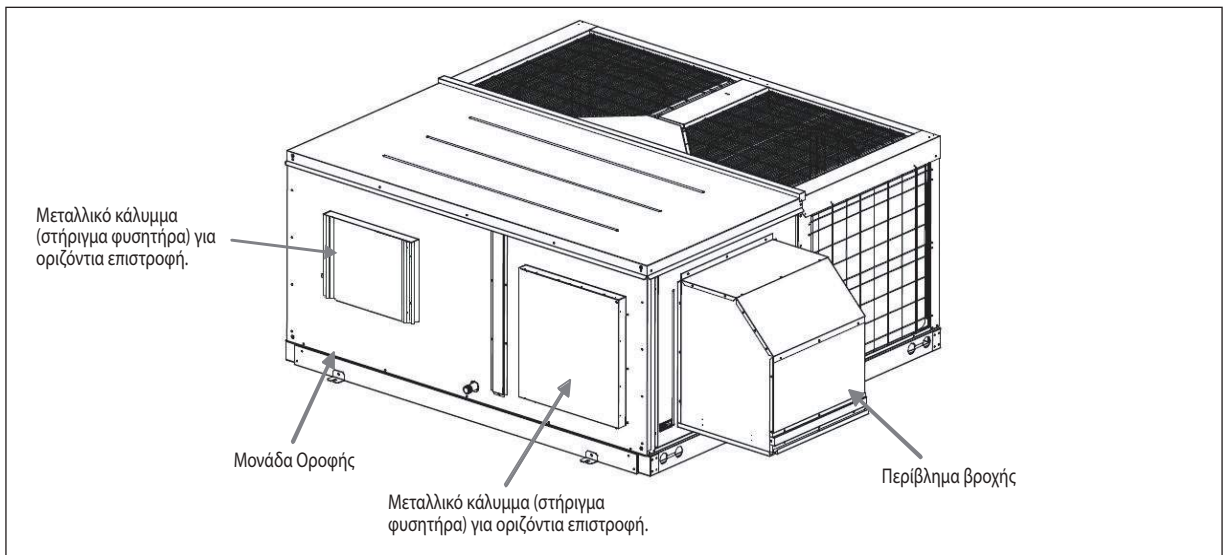
Βίδες
Αντικείμενο 2 -----> Αντικείμενο 6 -----> Αντικείμενο 7 -----> Αντικείμενο 12 -----> Αντικείμενο 14 -----> Αντικείμενο 5 -----> Αντικείμενο 4 -----> Αντικείμενο 3 -----> Αντικείμενο 13 -----> Αντικείμενο 9 -----> Αντικείμενο 8 -----> Στεγανοποιητικό



- Συνιστάται να σφραγίσετε όλους τους συνδέσμους και τα κενά με αδιάβροχο στεγανωτικό υλικό (όπως σιλικόνη, που παρέχεται επιτόπου) έτσι ώστε να διασφαλιστεί ένα αδιάβροχο φινίρισμα στο κάλυμμα βροχής.

ΒΗΜΑ 9 & ΒΗΜΑ 10 (εφαρμοστούν μόνο για το UATYQ900).

- Τέλος, μπορείτε να δείτε τη μονάδα με το κιτ εξοικονόμησης όπως φαίνεται στο παρακάτω διάγραμμα:
- Όταν η καμπύλη της οροφής απαιτείται για εφαρμογή της ρήψης κάτω, ανατρέξτε στις συστάσεις που σας δίνονται στο μέρος (Γ) στο κεφάλαιο "ΕΓΚΑΤΑΣΤΑΣΗ ΤΗΣ ΜΟΝΑΔΑΣ" στο παρόν εγχειρίδιο.



Σημείωση

Η μονάδα που εμφανίζεται στα διαγράμματα από το βήμα 1 έως το βήμα 9 είναι UATYQ350. Για τα άλλα μοντέλα ισχύει η ίδια μέθοδος.

Η μονάδα που εμφανίζεται στα διαγράμματα από το βήμα 1 έως το βήμα 10 είναι UATYQ900. Για τα άλλα μοντέλα ισχύει η ίδια μέθοδος.

E Προμήθεια

- (i) **Αντοχή Ροής Αέρος**
Η αντοχή ροής αέρα αναφέρεται στην πτώση της πίεσης που προκαλείται από το κιτ εξοικονόμησης. Πριν την εγκατάσταση, συνιστάται να ελέγξετε τον πίνακα της πτώσης πίεσης ο οποίος παρέχεται στο Βιβλίο Μηχανολογικών Δεδομένων έτσι ώστε να γίνει σωστή επιλογή σχεδίου.
- (ii) **Ρύθμιση Απόδοσης**
Η απόδοση της μονάδας θα αλλάξει όταν η μονάδα λειτουργεί στην κατάσταση φρέσκου αέρα, ανάλογα με την επιλογή του χρήστη. Πριν την εγκατάσταση, συνιστάται να ελέγξετε τον πίνακα συντελεστή διόρθωσης ο οποίος παρέχεται στο Βιβλίο Μηχανολογικών Δεδομένων έτσι ώστε να γίνει σωστή επιλογή σχεδίου.
- (iii) **Επιλογή Κατάστασης**
Γενικώς, το κιτ παρέχει δύο επιλογές κατάστασης, που είναι Κατάσταση Εξοικονομητή και Κατάσταση Φρέσκου Αέρα.
- Κατάσταση Εξοικονομητή: Να παρέχεται 'ελεύθερη' ψύξη όταν η θερμοκρασία του εξωτερικού αέρα και της υγρασίας είναι κατάλληλη, μόνο ή σε συνδυασμό με τη μηχανική ψύξη. Μπορεί να χρησιμοποιηθεί μόνο του ή σε συνδυασμό με τη μηχανολογική ψύξη.
 - Κατάσταση Φρέσκου Αέρα: Παρέχει ελάχιστο φρέσκο αέρα που είναι απαραίτητος για τον εξαερισμό ή τις τοπικές απαιτήσεις.
- Σημείωση**
Ανατρέξτε στις οδηγίες ρύθμισης υλικού που δίνονται στο μέρος (D) (v) στο κεφάλαιο "ΟΔΗΓΟΣ ΛΕΙΤΟΥΡΓΙΑΣ ΕΛΕΓΧΟΥ" στο παρόν εγχειρίδιο για επιλογή κατάστασης.
- (iv) **Επιλογή Ελάχιστου Φρέσκου Αέρα**
Το κιτ παρέχει επιλογή ελάχιστου φρέσκου αέρα από 0-25% και για την κατάσταση ψύξης και θέρμανσης. Ενώ η κατάσταση εξοικονόμησης & η κατάσταση ανεμιστήρα μπορούν να παρέχουν μέχρι το πολύ 85% φρέσκου αέρα.
- Σημείωση**
Ανατρέξτε στις οδηγίες ρύθμισης υλικού που δίνονται στο μέρος (D) (v) στο κεφάλαιο "ΟΔΗΓΟΣ ΛΕΙΤΟΥΡΓΙΑΣ ΕΛΕΓΧΟΥ" στο παρόν εγχειρίδιο για επιλογή κατάστασης.
- (v) **Χαρακτηριστικό Υπερψυγμένης Προστασίας**
Θερμική δυσφορία μπορεί να υπάρξει κατά το ψυχρό περιβάλλον λόγω του ανοίγματος παροχέτευσης εξωτερικού αέρα. Αυτή η περίπτωση μπορεί να αποφευχθεί όταν το χαρακτηριστικό υπερψυγμένης προστασίας ενεργοποιείται.
- Σημείωση**
Ανατρέξτε στην οδηγία ρύθμισης υλικού που δίνεται στο μέρος (Δ) (v) στο κεφάλαιο "ΟΔΗΓΟΣ ΛΕΙΤΟΥΡΓΙΑΣ ΕΛΕΓΧΟΥ" σ' αυτό το εγχειρίδιο για την ενεργοποίηση της προστατευτικής ρύθμισης από υπερψύξη.
- (vi) **Φάσμα Λειτουργίας**
Το εφαρμόσιμο φάσμα λειτουργίας για τη μονάδα με το χαρακτηριστικό εξοικονόμησης είναι το ίδιο όπως η κανονική μονάδα. Ανατρέξτε στο κεφάλαιο "ΦΑΣΜΑ ΛΕΙΤΟΥΡΓΙΑΣ" σ' αυτό το εγχειρίδιο.
Ωστόσο, ο περιορισμός του ανοίγματος φρέσκου αέρα θα συμβεί σε υψηλής ή χαμηλής θερμοκρασίας περιβάλλον έτσι ώστε να διασφαλίσετε την αξιοπιστία της μονάδας. Ανατρέξτε στο Βιβλίο Μηχανολογικών Δεδομένων για λεπτομερείς πληροφορίες.



ΠΡΟΣΟΧΗ

Η απόδοση θα μειωθεί στο υψηλό ή χαμηλό περιβάλλον, ανατρέξτε στα αντικείμενα (E)(ii).

- (vii) **Προαιρετικό**
Υπάρχει μια οπή φίλτρου 2" μέσα στη μονάδα. Προαιρετικό φίλτρο (παρέχεται στην εγκατάσταση) συνιστάται ως το δεύτερο επίπεδο φιλτραρίσματος αφού το άνοιγμα της παροχέτευσης εξωτερικού αέρα μπορεί να φέρει σκόνη και βρωμίες.

F Σέρβις Και Συντήρηση

- (i) **Σέρβις του φίλτρου**
Η αντοχή της ροής αέρος μπορεί να αυξηθεί όταν το φίλτρο βρωμίσει. Συνεπώς, καθαρίστε το φίλτρο κανονικά τουλάχιστον μια φορά κάθε 2 εβδομάδες. Το φίλτρο αέρα στο περίβλημα βροχής το οποίο εκτίθεται σε εξωτερικό περιβάλλον μπορεί να καταστραφεί από ζιζάνια ή ζώα. Αντικαταστήστε το φίλτρο αέρα όταν αυτό καταστρέφεται.
- (ii) **Σέρβις του εσωτερικού χώρου**
Άνοιγμα παροχέτευσης εξωτερικού αέρα μπορεί ακόμη να φέρει μέσα σκόνη και βρωμιά καθώς το φίλτρο του περιβλήματος δεν μπορεί πλήρως να φιλτράρει τα μόρια βρωμιάς. Συνεπώς, ο εσωτερικός χώρος πρέπει να καθαριστεί επίσης κατά το σέρβις του φίλτρου.
- (iii) **Σέρβις της παροχέτευσης**
Σκουπίστε τη βρωμική παροχέτευση, ειδικά την παροχέτευση εξωτερικού αέρα η οποία εκτίθεται στο περιβάλλον συνεχώς.

Σημείωση

Ανατρέξτε στο κεφάλαιο "ΣΕΡΒΙΣ ΚΑΙ ΣΥΝΤΗΡΗΣΗ" σ' αυτό το εγχειρίδιο.

G Έλεγχος Ζήτησης Εξαερισμού

- Μια τεχνική που μειώνει την κατανάλωση ενέργειας ενώ διατηρεί επαρκή ποιότητα αέρα αποτελεί τον εξαερισμό ελεγχόμενης ζήτησης. Αντίθετα από τη ρύθμιση σε σταθερό ρυθμό ανανέωσης αέρα, ο αισθητήρας του διοξειδίου του άνθρακα (αισθητήρας CO₂) χρησιμοποιείται για τον έλεγχο του ρυθμού δυναμικά, με βάση τις εκπομπές των πραγματικών ενοίκων του κτιρίου.
- Αισθητήρας CO₂ είναι ένα προαιρετικό συστατικό που παρέχεται στο πεδίο. Ανατρέξτε στις παρακάτω πληροφορίες για τη σύσταση της επιλογής του αισθητήρα CO₂:

- Τύπος: Τύπος αεραγωγού
- Είσοδος Ισχύος: 24 VDC, 50Hz
- Εύρος θερμοκρασίας λειτουργίας: 0 ~ 52°C
- Εύρος θερμοκρασίας περιβάλλοντος: -15 ~ 52°C
- Εύρος μέτρησης: 0 ~ 5000 PPM (εξαρτάται από την εφαρμογή)
- Τάση απόδοσης: 2 ~ 10 VDC
- Μέγεθος καλωδίου: AWG18
- Μέγιστο επιτρεπόμενο ρεύμα: 7A
- Πρότυπα Συμβατότητας: Να ακολουθήσετε τοπικούς και εθνικούς κανονισμούς

- Ο ελεγκτής εξοικονόμησης συνοδεύεται από ένα λογισμικό κτιρίου το οποίο είναι έτοιμο να ενσωματωθεί στον αισθητήρα CO₂. Ενεργοποιείται μόνο στην κατάσταση εξοικονόμησης. Ο χρήστης επιτρέπεται να επιλέξει τις διάφορες τιμές κατωφλιού μέσω του διακόπτη 3. Ανατρέξτε στις οδηγίες της ρύθμισης του υλικού που δίνονται στο μέρος (D) (v) στο κεφάλαιο "ΟΔΗΓΙΑ ΛΕΙΤΟΥΡΓΙΑΣ ΕΛΕΓΧΟΥ" σ' αυτό το εγχειρίδιο για επίπεδο κατωφλιού PPM CO₂.

Για παράδειγμα: Για να χρησιμοποιήσετε έναν αισθητήρα CO₂ με ευρος μέτρησης από 0 ~ 5000 PPM με την τιμή κατωφλιού στο 1250PPM, ο χρήστης πρέπει να κάνει τα ακόλουθα βήματα:-

- Βήμα 1: Ενεργοποιήστε το SW4 στο Διακόπτη Dip στον κύριο πίνακα ελεγκτή στη θέση ON (εργοστασιακή επιλογή είναι στη θέση OFF).
- Βήμα 2: Ενεργοποιήστε την παράμετρο πάνελ G6 (έλεγχος εξοικονομητή) στο τηλεχειριστήριο στο "1" θέση (ON) (ρυθμιστήρας εργοστασιακής προεπιλογής είναι στο "0" θέση (OFF).
- Βήμα 3: Σιγουρευτείτε ότι το SW2 στο Διακόπτη Dip 4 (πίνακας ελεγκτή εξοικονόμησης) είναι στη θέση OFF (ρυθμιστήρας εργοστασιακής προεπιλογής είναι στη θέση OFF).
- Βήμα 4: Ενεργοποιήστε το SW1 στο Διακόπτη Dip 3 (Πίνακας ελέγχου εξοικονόμησης) στη θέση ON (ρυθμιστήρας εργοστασιακής προεπιλογής είναι στη θέση OFF).
{SW1 στο Διακόπτη Dip 3 = 25%, με υπολογισμό σημαίνει 25% των 5000 PPM ή ισοδύναμο με 1250 PPM}.

- Αν ο αισθητήρας CO₂ είναι εκτεθειμένος στο εξωτερικό περιβάλλον, καλύψτε τον αισθητήρα με ένα κουτί κατά της υγρασίας (IPX4) με μια βίδα ως μηχανισμό ασφάλισης ή παρόμοια μέθοδο για την αποφυγή της εισροής νερού στον αισθητήρα CO₂ και επίσης για την αποφυγή πιθανής επαφής με τον αισθητήρα. Η σύνδεση του αισθητήρα CO₂ θεωρείται μέρος ΥΠΟ ΤΑΣΗ.

- Μετά, συνδέστε το καλώδιο από τον αισθητήρα CO₂ στο κουτί συνδέσεων στον εσωτερικό χώρο της μονάδας. Υπάρχουν τρία καλώδια στον αισθητήρα CO₂. Συνδέστε τα καλώδια όπως παρακάτω:

Καλώδιο γείωσης –

συνδέστε στον πρώτο πόλο της λωρίδας ακροδεκτών με ετικέτα "GND".

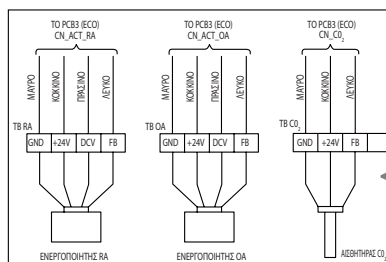
+24VDC καλώδιο live –

συνδέστε στο δεύτερο πόλο της λωρίδας ακροδεκτών με ετικέτα "+24V".

Καλώδιο σήματος Εξόδου/τροφοδοσίας –

συνδέστε στον τρίτο πόλο της λωρίδας ακροδεκτών με ετικέτα "FB".

(Μπορείτε να ανατρέξετε στο αυτοκόλλητο διάγραμμα καλωδίωσης το οποίο τοποθετείται στο πρώτο κάλυμμα του κουτιού σύνδεσης.)

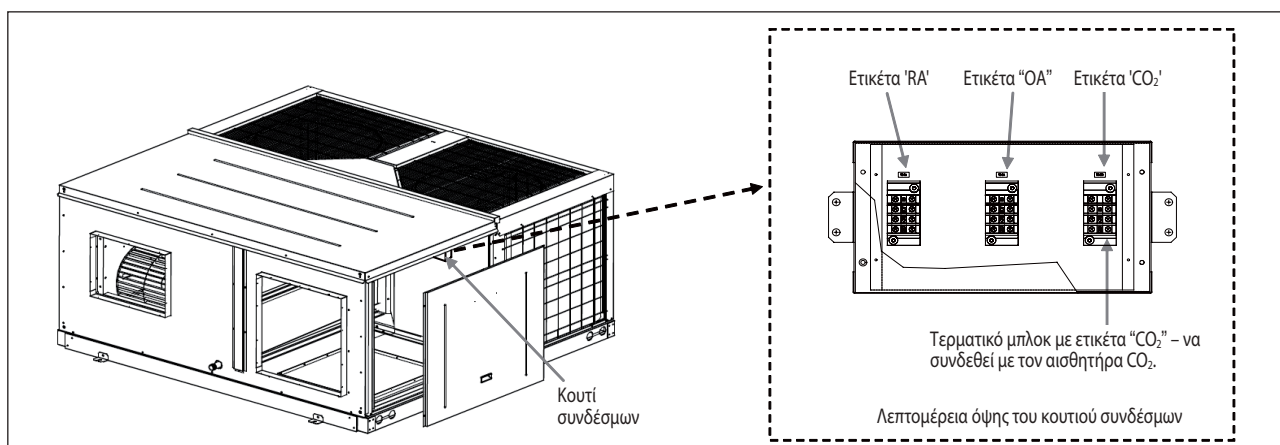


Το αυτοκόλλητο διάγραμμα καλωδίωσης στο μπροστινό κάλυμμα του κουτιού σύνδεσης.



ΠΡΟΣΟΧΗ

Λανθασμένη σύνδεση καλωδίου μπορεί να προκαλέσει τη δυσλειτουργία στον αισθητήρα ή στον πίνακα ελεγκτή εξοικονόμησης ή και στα δύο. Δέστε τα καλώδια με κολάρα που αφαιρούνται στο κουτί συνδέσεων.



(i) Περιορισμός του Κιτ Εξοικονόμησης στον Έλεγχο Θερμοστάτη

Ο έλεγχος θερμοστάτη χρησιμοποιείται με ελεγκτή τρίτου μέρους και συνεπώς η θερμοκρασία ρύθμισης της συγκεκριμένης εφαρμογής δεν μπορεί να είναι άγνωστη. Γι'αυτην την περίπτωση, συνιστάται να χρησιμοποιήσετε τηλεχειριστήριο για να ορίσετε την απαιτούμενη ρύθμιση θερμοκρασίας πριν τη διεξαγωγή της ρύθμισης υλικού για τον έλεγχο του θερμοστάτη.

Σημείωση

Ανατρέξτε στις οδηγίες ρύθμισης υλικού που δίνονται στο μέρος (D) (v) στο κεφάλαιο "ΟΔΗΓΟΣ ΛΕΙΤΟΥΡΓΙΑΣ ΕΛΕΓΧΟΥ" στο παρόν εγχειρίδιο για επιλογή κατάστασης.

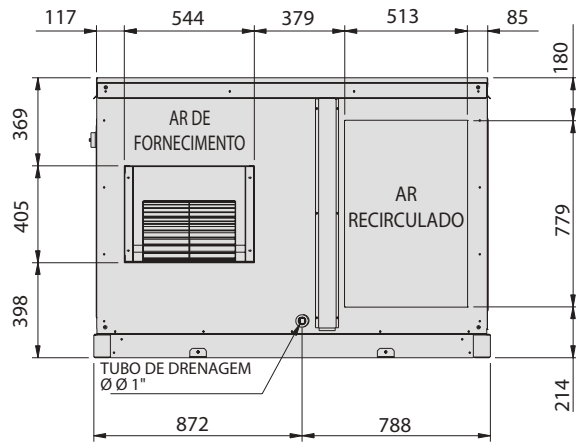
(ii) Απαραίτητο για την Εκτόνωση Πίεσης

Παρουσία του φρέσκου αέρα μπορεί να προκαλέσει υψηλότερη πίεση στο δωμάτιο και δυσφορία στους χρήστες. Όταν είναι απαραίτητο, συνιστάται να εγκαταστήσετε μια παροχέτευση εκτόνωσης πίεσης στον αεραγωγό επιστροφής.

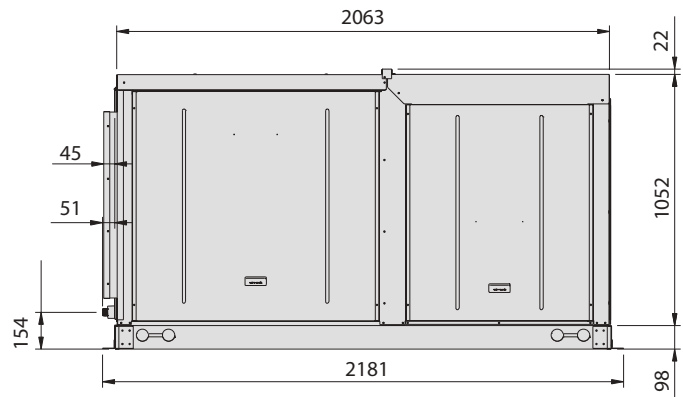
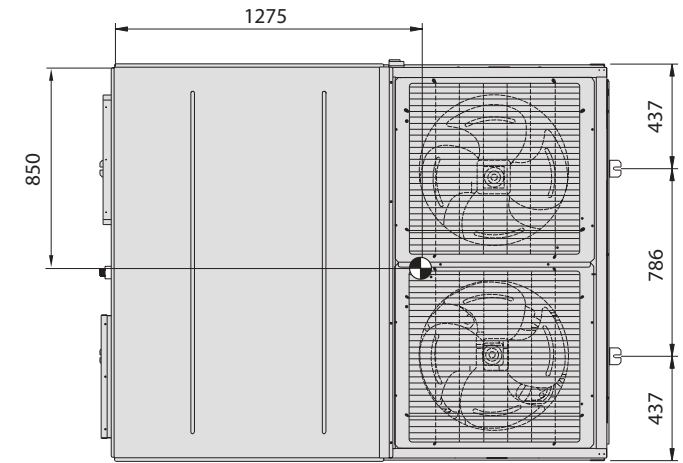
ESBOÇO E DIMENSÕES

Modelo: UATYQ250

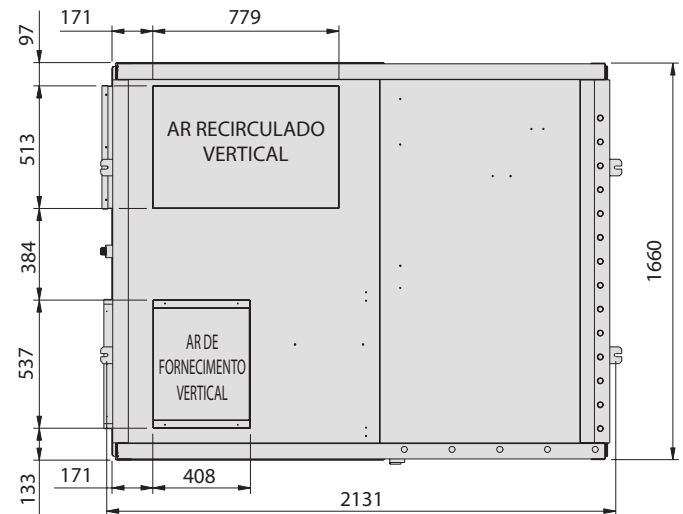
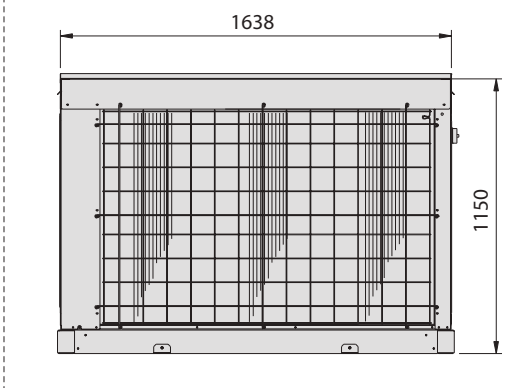
Todas as dimensões estão em mm



PARA DESCARGA HORIZONTAL



Vista traseira da unidade:



PARA DESCARGA VERTICAL

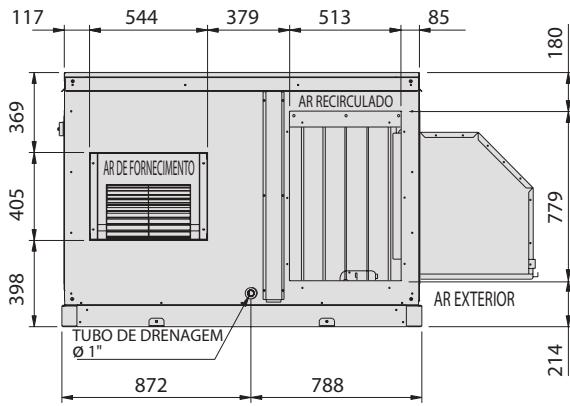
 CENTRO DE GRAVIDADE

PORTUGUÊS

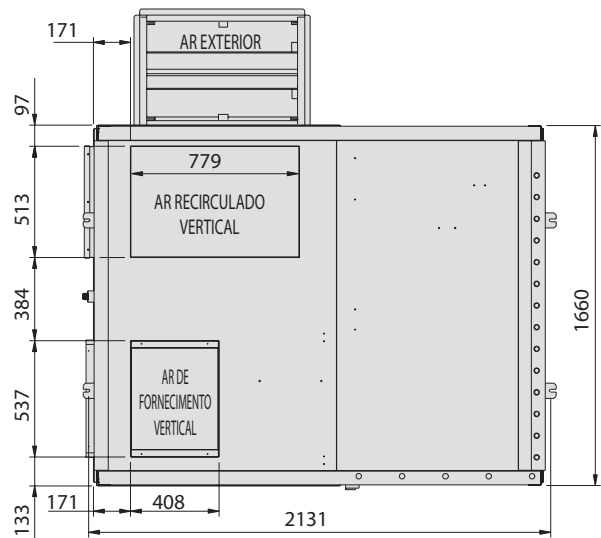
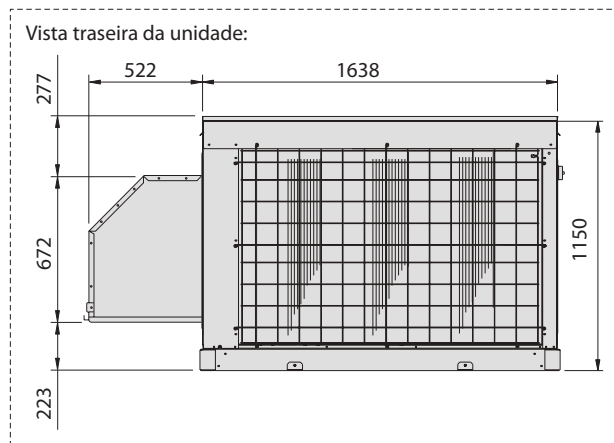
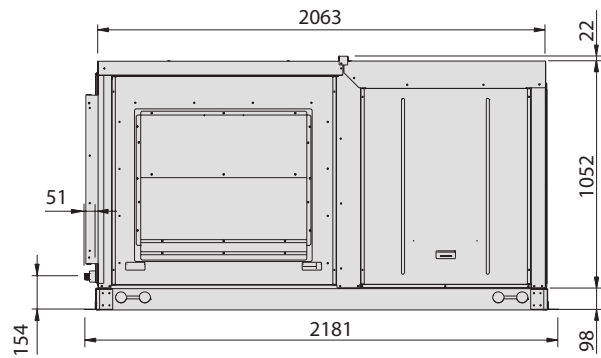
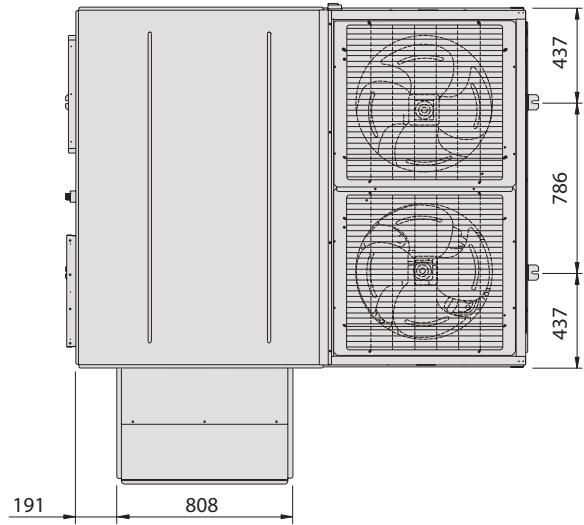
Tradução da instrução original

Modelo: UATYQ250 COM OPÇÃO DE ECONOMIZADOR

Todas as dimensões estão em mm

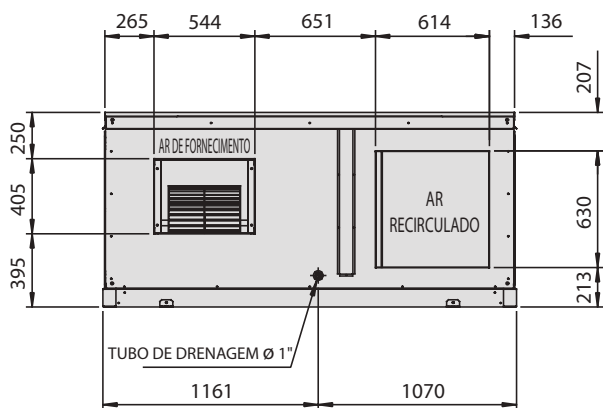


PARA DESCARGA HORIZONTAL

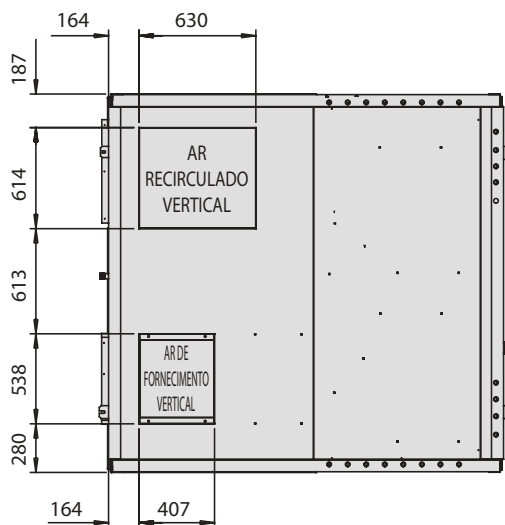
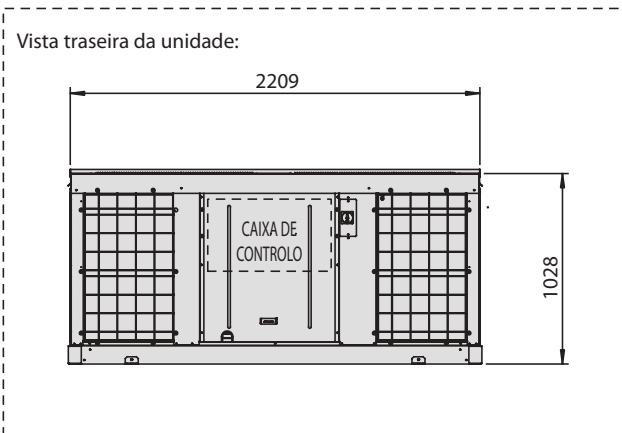
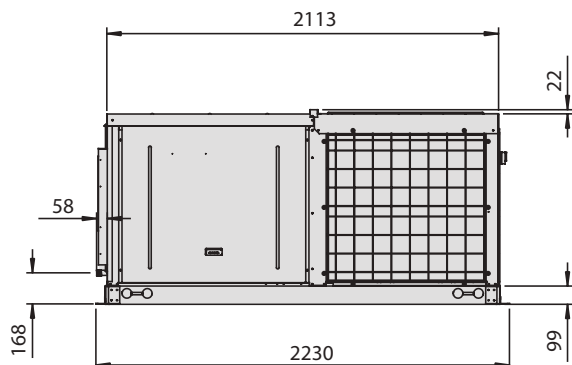
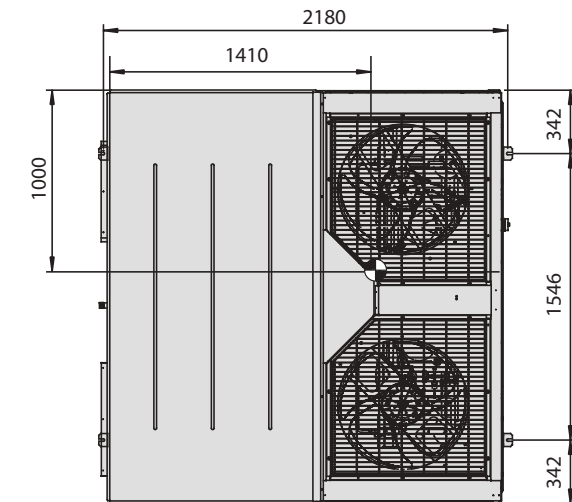


PARA DESCARGA VERTICAL

Todas as dimensões estão em mm



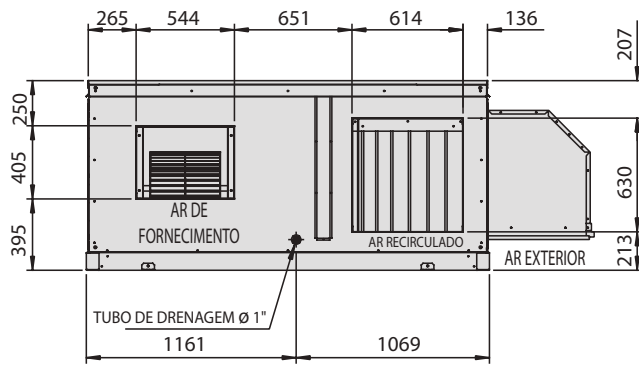
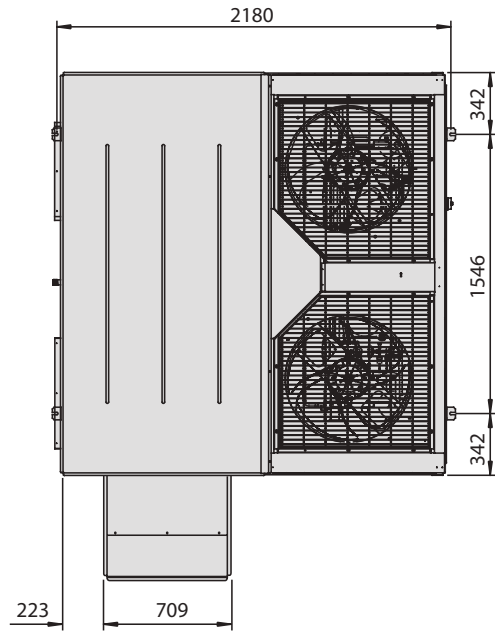
PARA DESCARGA HORIZONTAL



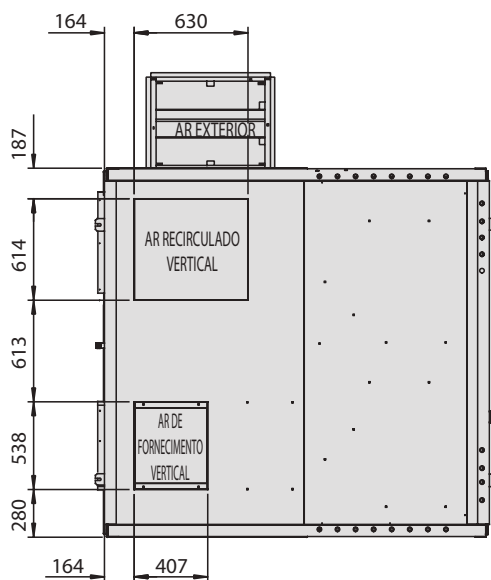
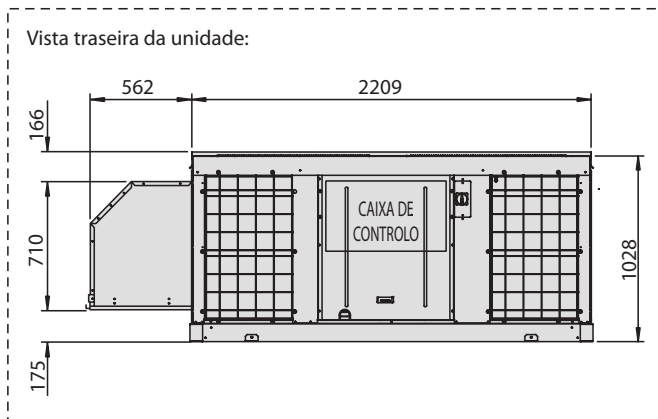
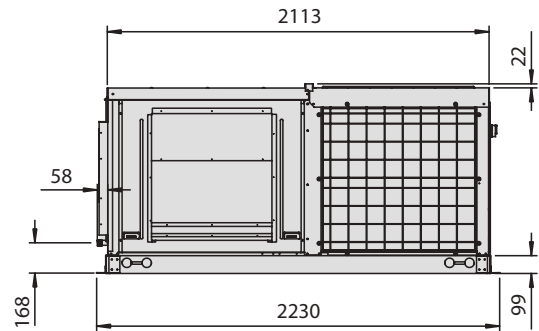
PARA DESCARGA VERTICAL

Modelo: UATYQ350 COM OPÇÃO DE ECONOMIZADOR

Todas as dimensões estão em mm

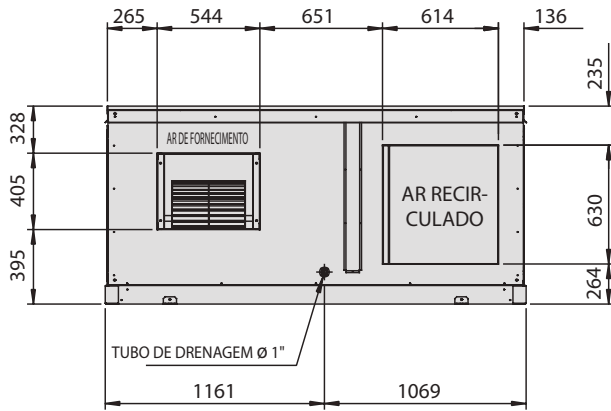


PARA DESCARGA HORIZONTAL

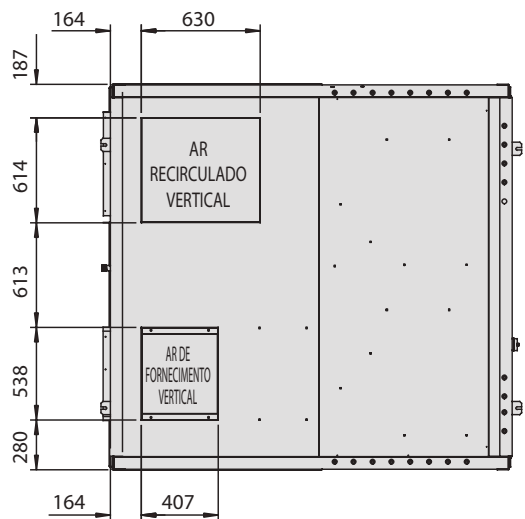
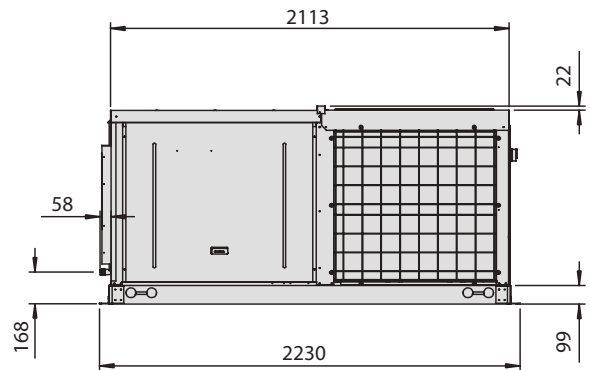
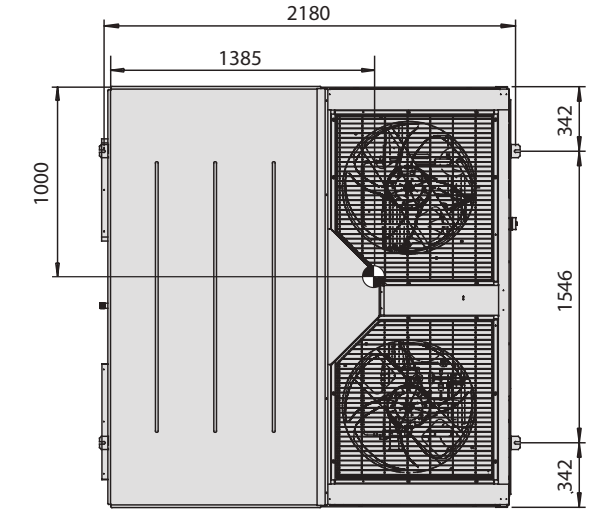
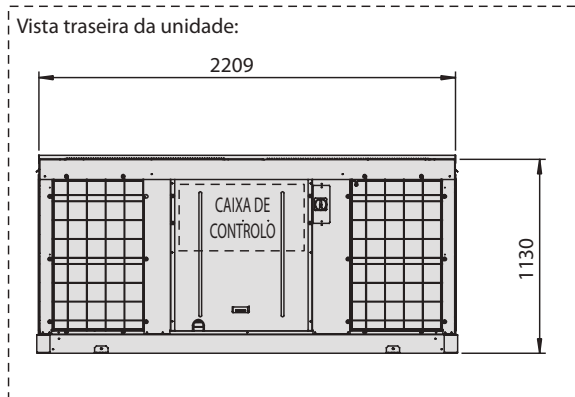


PARA DESCARGA VERTICAL

Todas as dimensões estão em mm



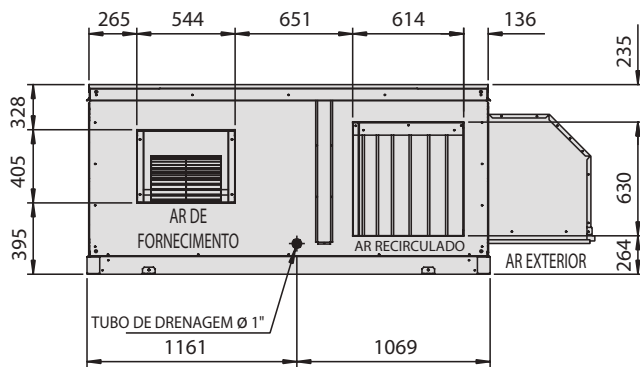
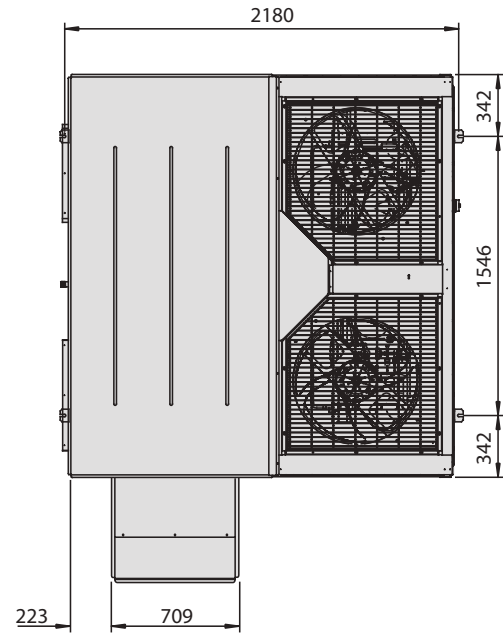
PARA DESCARGA HORIZONTAL



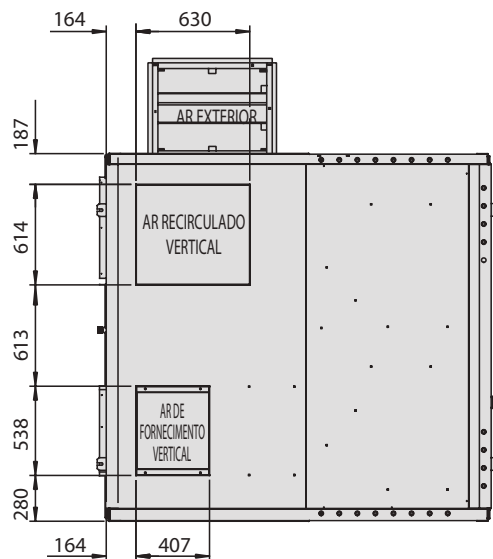
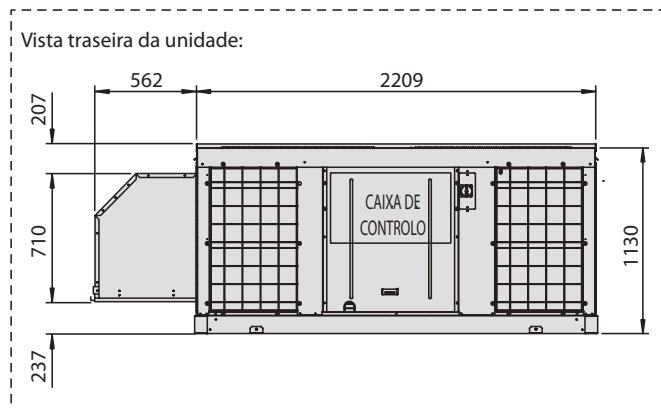
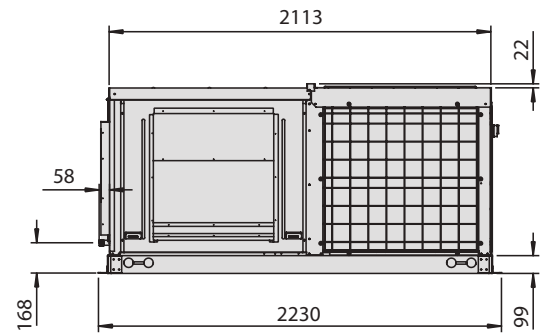
PARA DESCARGA VERTICAL

Modelo: UATYQ450 COM OPÇÃO DE ECONOMIZADOR

Todas as dimensões estão em mm

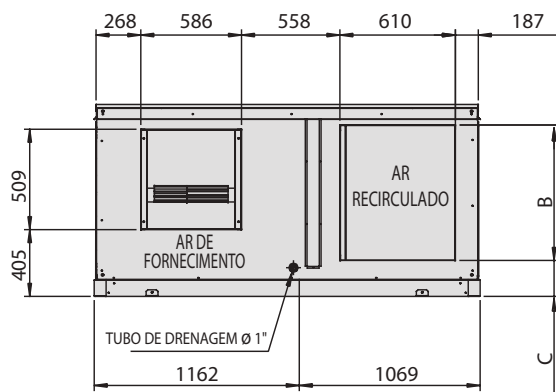
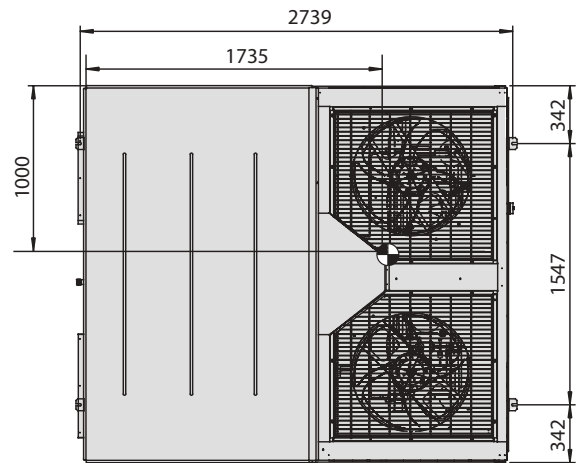


PARA DESCARGA HORIZONTAL

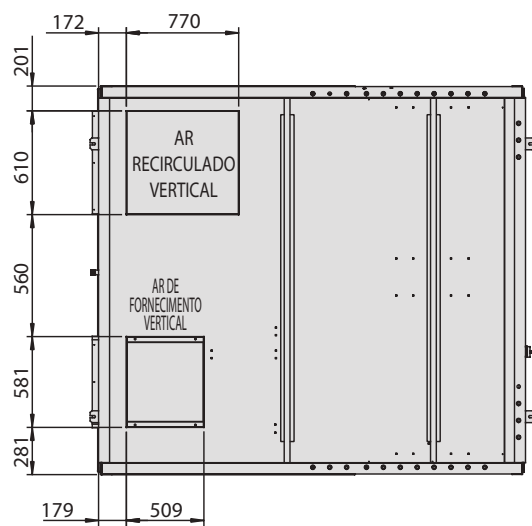
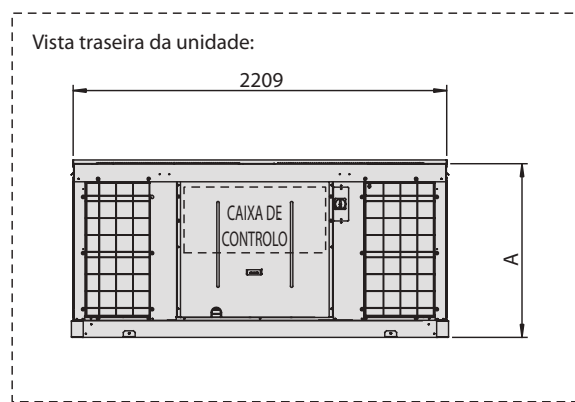
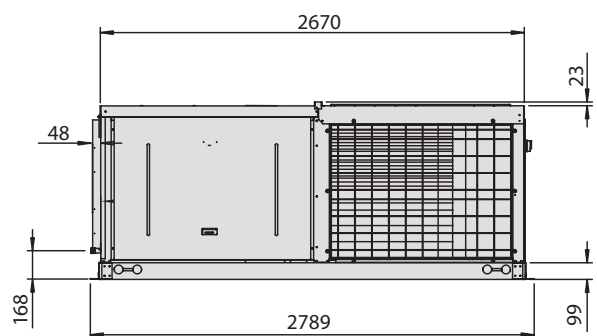


PARA DESCARGA VERTICAL

Todas as dimensões estão em mm



PARA DESCARGA HORIZONTAL



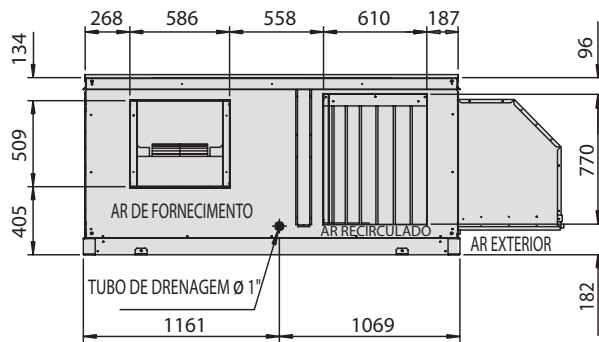
PARA DESCARGA VERTICAL

Modelo (UATYQ)	550	600	700	900
A	1048	1302	1454	1454
B	770	770	1176	1176
C	182	322	182	182

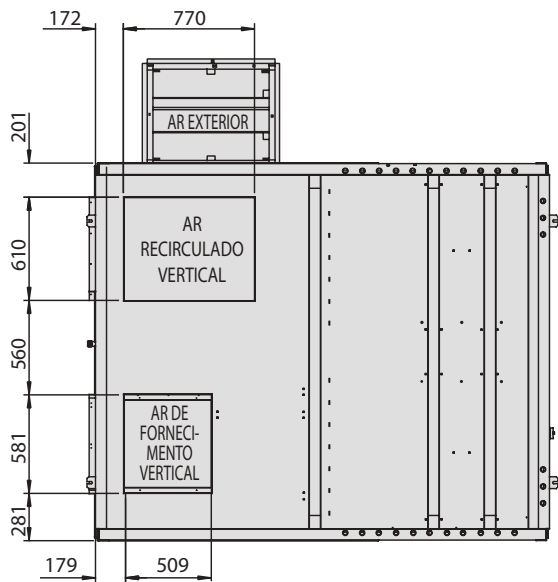
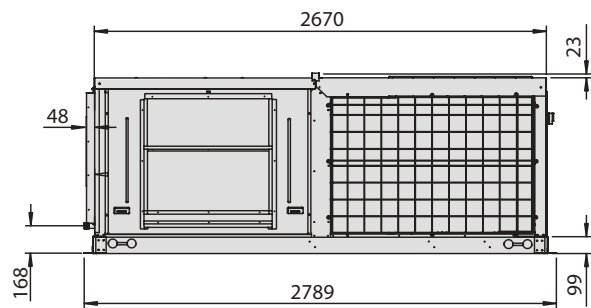
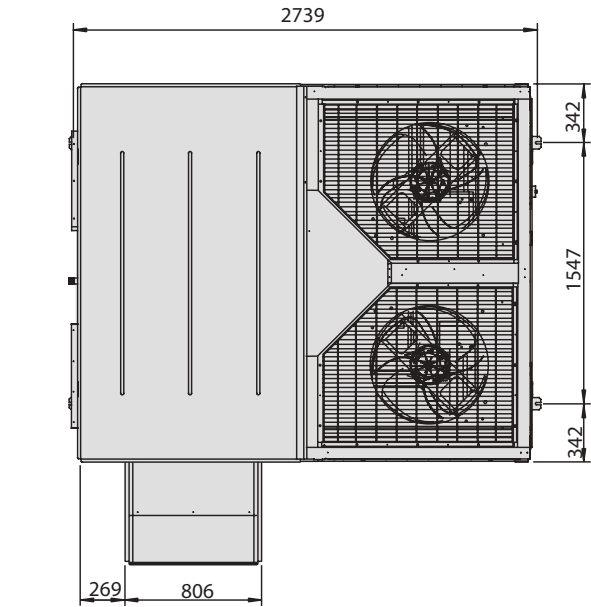
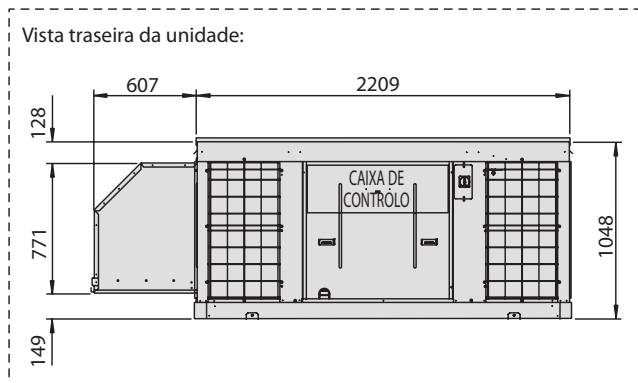
☉ CENTRO DE GRAVIDADE

Modelo: UATYQ550 COM OPÇÃO DE ECONOMIZADOR

Todas as dimensões estão em mm



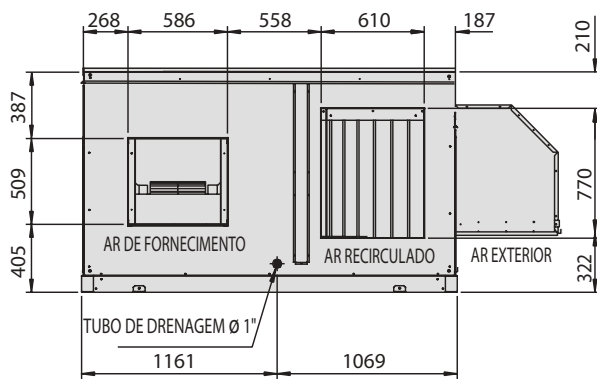
PARA DESCARGA HORIZONTAL



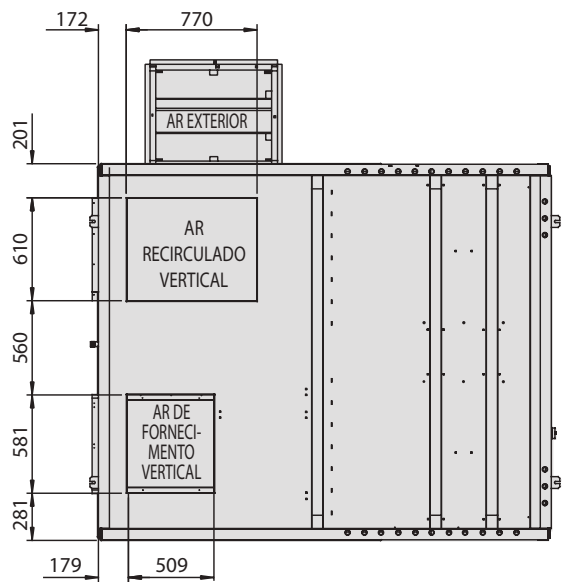
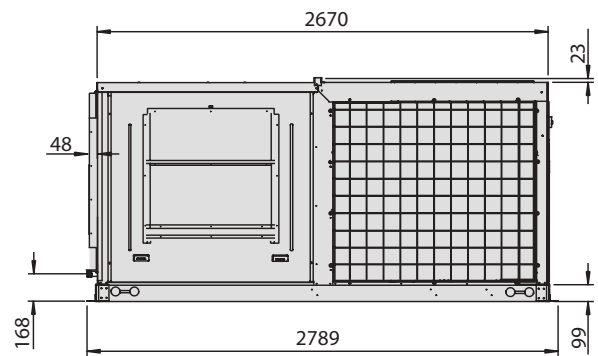
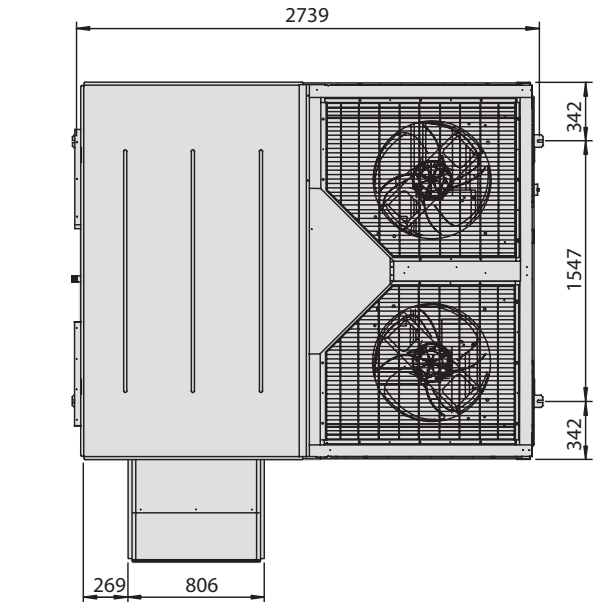
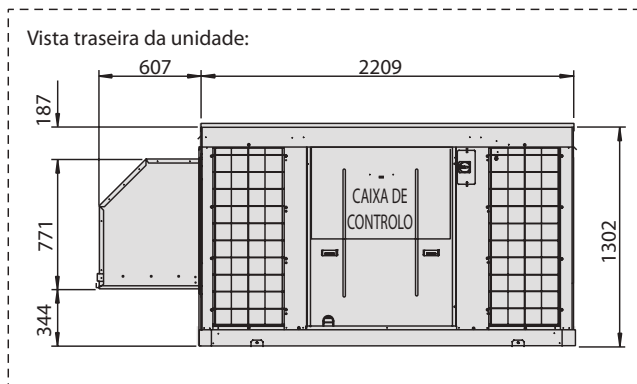
PARA DESCARGA VERTICAL

Modelo: UATYQ600 COM OPÇÃO DE ECONOMIZADOR

Todas as dimensões estão em mm



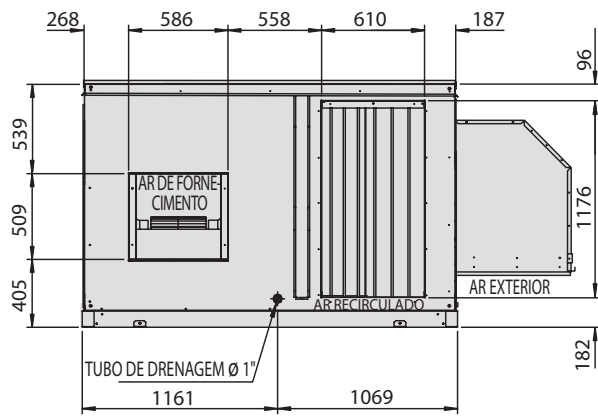
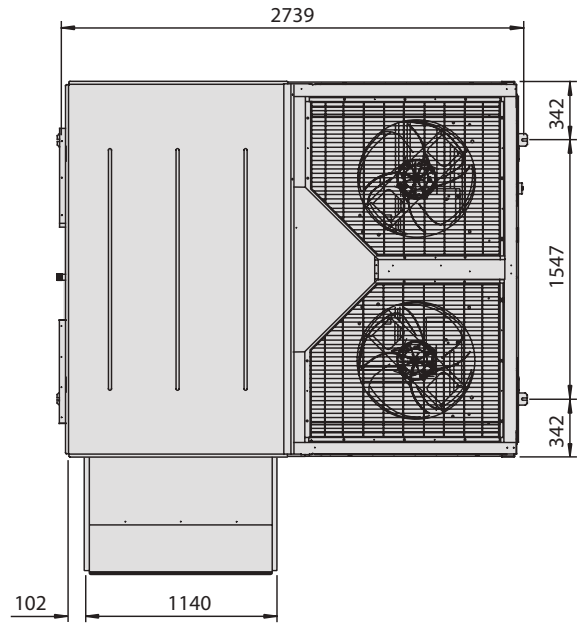
PARA DESCARGA HORIZONTAL



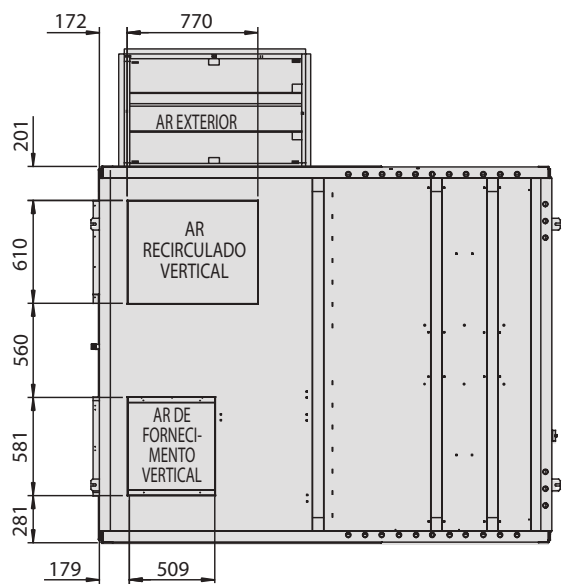
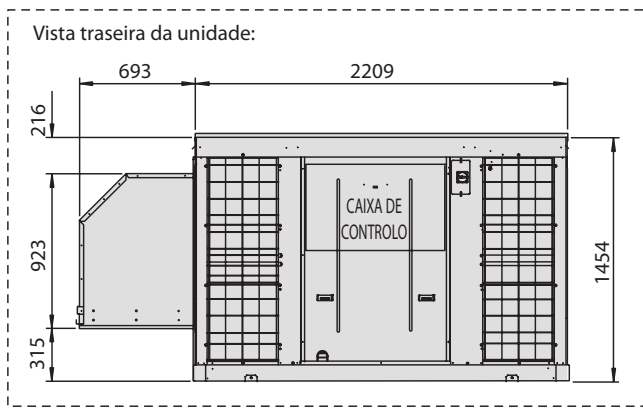
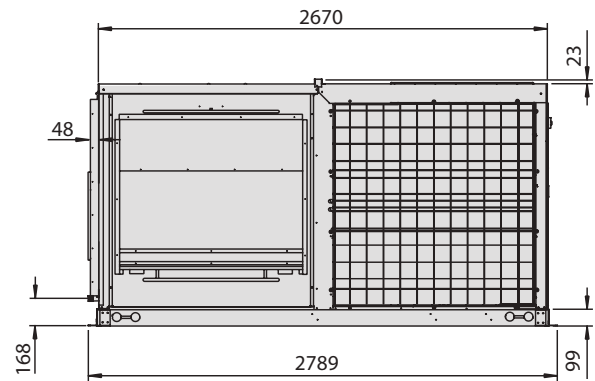
PARA DESCARGA VERTICAL

Modelo: UATYQ700 COM OPÇÃO DE ECONOMIZADOR

Todas as dimensões estão em mm

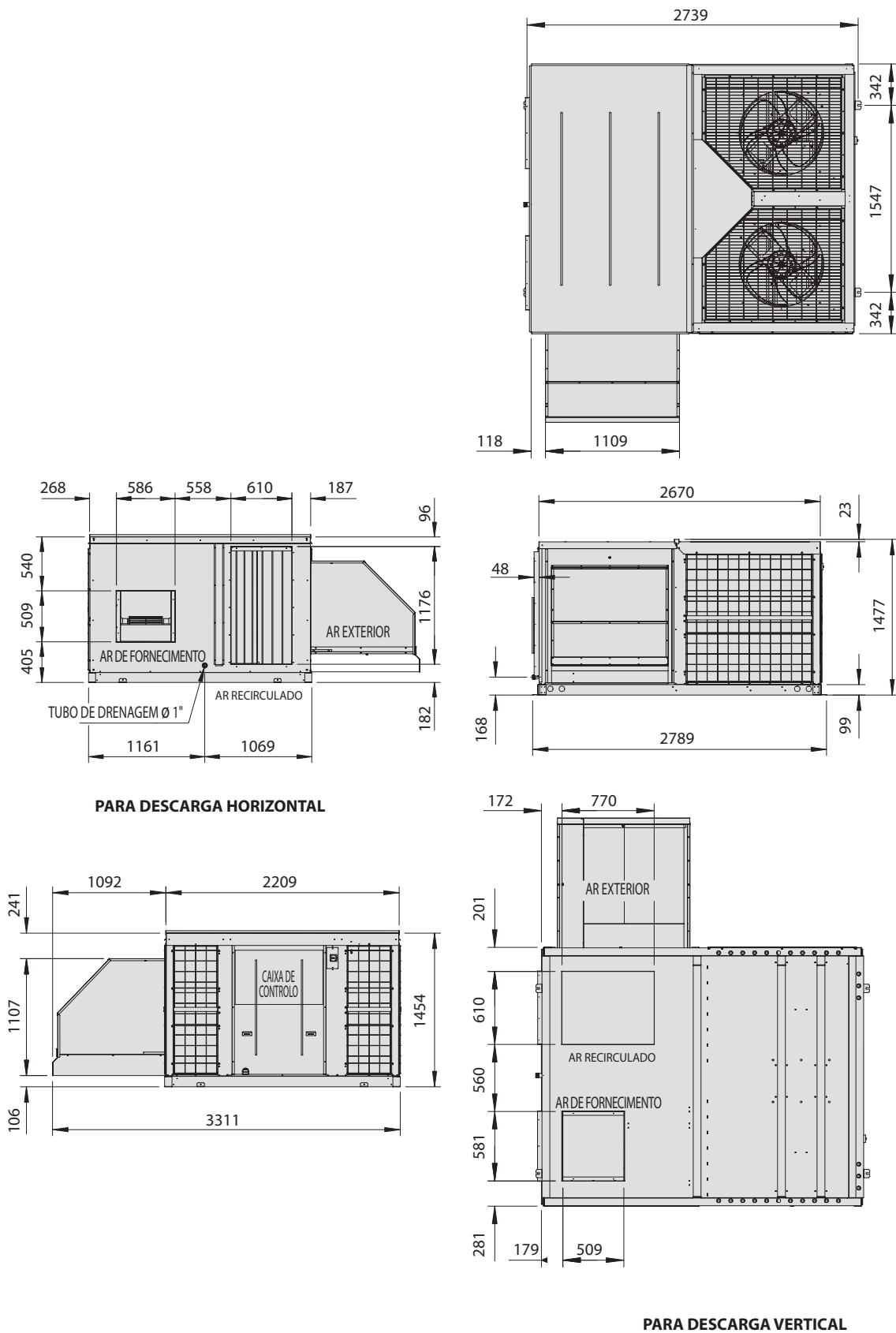


PARA DESCARGA HORIZONTAL



PARA DESCARGA VERTICAL

Todas as dimensões estão em mm

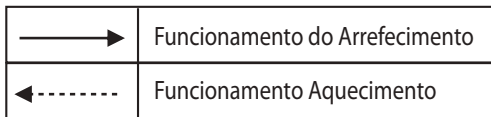


PARA DESCARGA HORIZONTAL

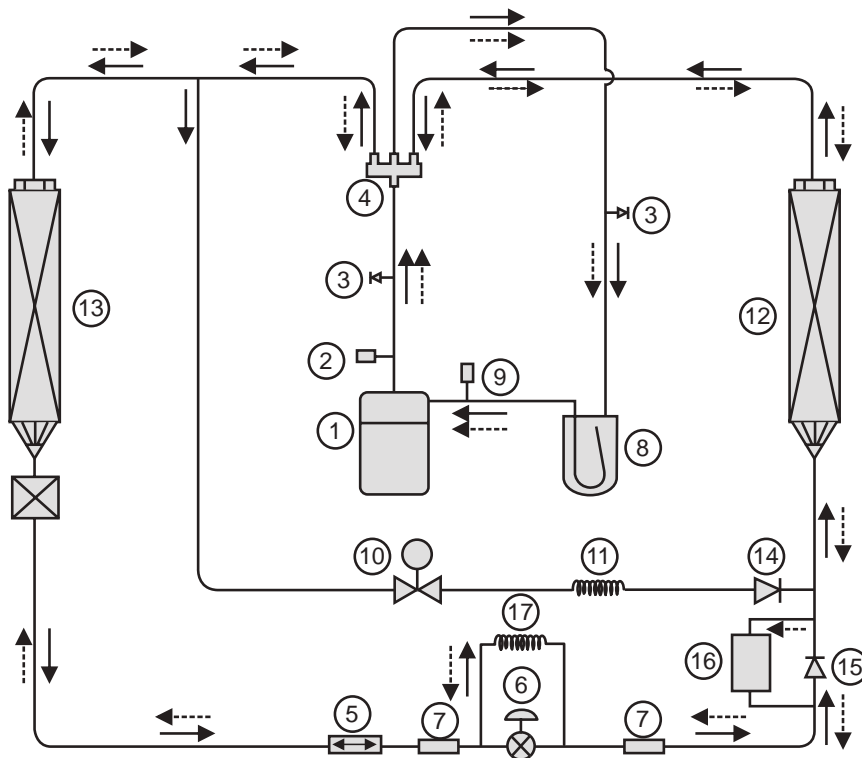
PARA DESCARGA VERTICAL

DIAGRAMA DO CIRCUITO DE REFRIGERAÇÃO

Modelo: UATYQ 250, 350, 450, 550, 600, 700 & 900



Não	Descrição do item
①	Compressor
②	Interruptor de Alta Pressão
③	Válvula de Acesso
④	Válvula de 4 Vias
⑤	Filtro Secador
⑥	Válvula de Expansão Electrónica
⑦	Ralo
⑧	Acumulador
⑨	Interruptor de Baixa Pressão
⑩	Válvula Solenóide
⑪	Tubo Capilar de Derivação
⑫	Permutador de Calor Interior
⑬	Permutador de Calor Exterior
⑭	Verificar Válvula 1
⑮	Verificar Válvula 2
⑯	Compensador
⑰	Tubo capilar



- Nota:**
- (a) UATYQ350, 450, 550, 600, 700 & 900 consiste em 2 circuitos no sistema.
 - (b) Os itens 15 e 16 são apenas aplicáveis à UATYQ350.
 - (c) Os itens 17 são apenas aplicáveis à UATYQ700 & UATYQ900.

MANUAL DE INSTALAÇÃO

Este manual fornece os procedimentos de instalação para garantir um padrão seguro e bom de funcionamento do aparelho de ar condicionado.

Ajuste especial pode ser necessário para atender às necessidades locais.

Antes de utilizar o aparelho, leia este manual de instruções cuidadosamente e guarde-o para referência futura.

Este aparelho se destina a ser utilizado por especialistas ou usuários treinados em lojas, na indústria leve e em fazendas, ou para uso comercial por leigos.

Este aparelho não se destina à utilização por pessoas, incluindo crianças, com reduzidas capacidades físicas, sensoriais ou mentais, ou falta de experiência e conhecimento, a menos que tenham recebido supervisão ou instruções relativas à utilização do aparelho por uma pessoa responsável pela sua segurança.

As crianças devem ser supervisionadas para garantir que elas não brinquem com o aparelho.

PRECAUÇÕES DE SEGURANÇA

IMPORTANTE

Informação importante em relação ao refrigerante utilizado

Este produto contém gases fluorados com efeito. Não ventile gases para a atmosfera.

Tipo de refrigerante: R410A

GWP ⁽¹⁾ valor: 2087,5

⁽¹⁾ GWP = Potencial de aquecimento global

A quantidade de refrigerante está indicada na placa do nome da unidade. Inspeções periódicas a fugas de refrigerante podem ser necessárias dependendo da legislação local ou Europeia. Por favor contacte o seu fornecedor local para mais informações.

NOTIFICAÇÃO

Na Europa, as **emissões de gases com efeito de estufa** da carga total de refrigerante no sistema (expressas em toneladas de equivalente de CO₂) são usadas para determinar os intervalos de manutenção. Siga a legislação aplicável.

Fórmula para calcular as emissões dos gases com efeito de estufa:

Valor GWP (potencial de aquecimento global) do refrigerante x carga total de refrigerante [em kg] / 1000



AVISO

- A instalação e manutenção deve ser executada por pessoas qualificadas que estejam familiarizadas com o código local e regulamento, e tenham experiência com este tipo de aparelhos.
- Todas as ligações devem ser feitas de acordo com o regulamento nacional para ligações eléctricas.
- Assegure-se que a voltagem nominal da unidade corresponde à que consta no nome da placa iniciando o trabalho eléctrico de acordo com o diagrama de ligação eléctrica.
- A unidade deve ter LIGAÇÃO TERRA para evitar possíveis perigos devidos a falha de isolamento.
- Todas as ligações eléctricas não devem tocar na tubagem de refrigeração, nem em qualquer das partes em movimento dos motores da ventoinha.
- Confirme que a unidade foi DESLIGADA antes de ser instalada ou fazer a manutenção.
- Desligue da principal fonte de energia antes de fazer manutenção à unidade de ar condicionado.
- NÃO puxe o cabo de energia quando a energia estiver LIGADA. Isto pode provocar graves choques eléctricos que podem resultar em perigosos incêndios.
- Mantenha as unidades de ar condicionado, cabo de energia e ligações de transmissão, afastadas pelo menos 1 m de TVs e rádios, para evitar imagens distorcidas e estática. (Dependendo do tipo e fonte das ondas eléctricas, a estática pode ser escutada mesmo a mais de 1 m de distância).
- O equipamento não se destina a ser utilizado numa atmosfera potencialmente explosiva.



CUIDADO

Por favor tome nota dos seguintes pontos importantes ao instalar.

- **Não instale a unidade onde possa ocorrer fuga de gás inflamável.**



Em caso de fuga de gás e este se acumular à volta da unidade, pode provocar incêndio.

- **Certifique-se que a tubagem de drenagem está adequadamente ligada.**



Se a tubagem de drenagem não estiver ligada correctamente pode provocar fuga de água.

- **Não sobrecarregar a unidade.**



Esta unidade é pre-carregada de fábrica.

A sobrecarga causará uma sobrecorrente ou danos no compressor.

- **Assegure-se que o painel da unidade está fechado após a manutenção ou instalação.**



Painéis inseguros causarão ruído no funcionamento da unidade.

- **Cantos afiados e as superfícies da bobina são locais potenciais que podem provocar o perigo de lesões.**

Evite entrar em contacto com estes locais.

- **Antes de desligar a fonte de energia, defina o interruptor LIGAR/DESLIGAR do controlo remoto para a posição "DESLIGADO" para evitar o disparo perturbador da unidade.**

Se isto não for feito, as ventoinhas da unidade poderão iniciar automaticamente quando a energia for reiniciada, colocando em perigo o pessoal de serviço ou o utilizador.

- **Não coloque em funcionamento nenhum aparelho de aquecimento demasiado perto da unidade de ar condicionado.**

- **Não utilize fios juntos e torcidos para a entrada da fonte de energia.**

Requisitos de Eliminação:

Desmontar a unidade, o tratamento do agente de refrigeração, do óleo e outras peças, deve ser feito em conformidade com a legislação aplicável.

INSTALAÇÃO DA UNIDADE

A Local para Instalação

- Instale a unidade de maneira que o ar descarregado pela unidade não possa ser novamente absorvido (como no caso de curto-circuito do ar descarregado). Deixe espaço suficiente à volta da unidade para a manutenção.
- Quando duas ou mais unidades são instaladas num local, devem ser posicionadas de maneira a uma unidade não absorver o ar de descarga da outra unidade.
- Assegure-se que não há obstruções do fluxo de ar ou fora da unidade. Remova obstáculos que bloqueiam a entrada de ar ou a descarga de ar.
- O local deve ser bem ventilado, para que a unidade possa extrair e distribuir bastante ar.
- É recomendado que a unidade seja instalada:-
 - Num local capaz de suportar o peso da unidade e seja isolado de ruído e vibração.
 - Um local com drenagem adequada.
 - Um local onde a unidade não fique enterrada na neve.
 - Um local onde a porta de entrada ou de saída de ar não esteja exposta a ventos fortes.
 - Um local onde a descarga de ar e o nível de som do funcionamento não perturbe os vizinhos.
 - Um local onde não seja acessível pelo público e geral.

Nota

- Para instalar a unidade com o kit económico, siga as recomendações indicadas no item (B) (iii) no capítulo “ACESSÓRIOS OPCIONAIS” neste manual.



CUIDADO

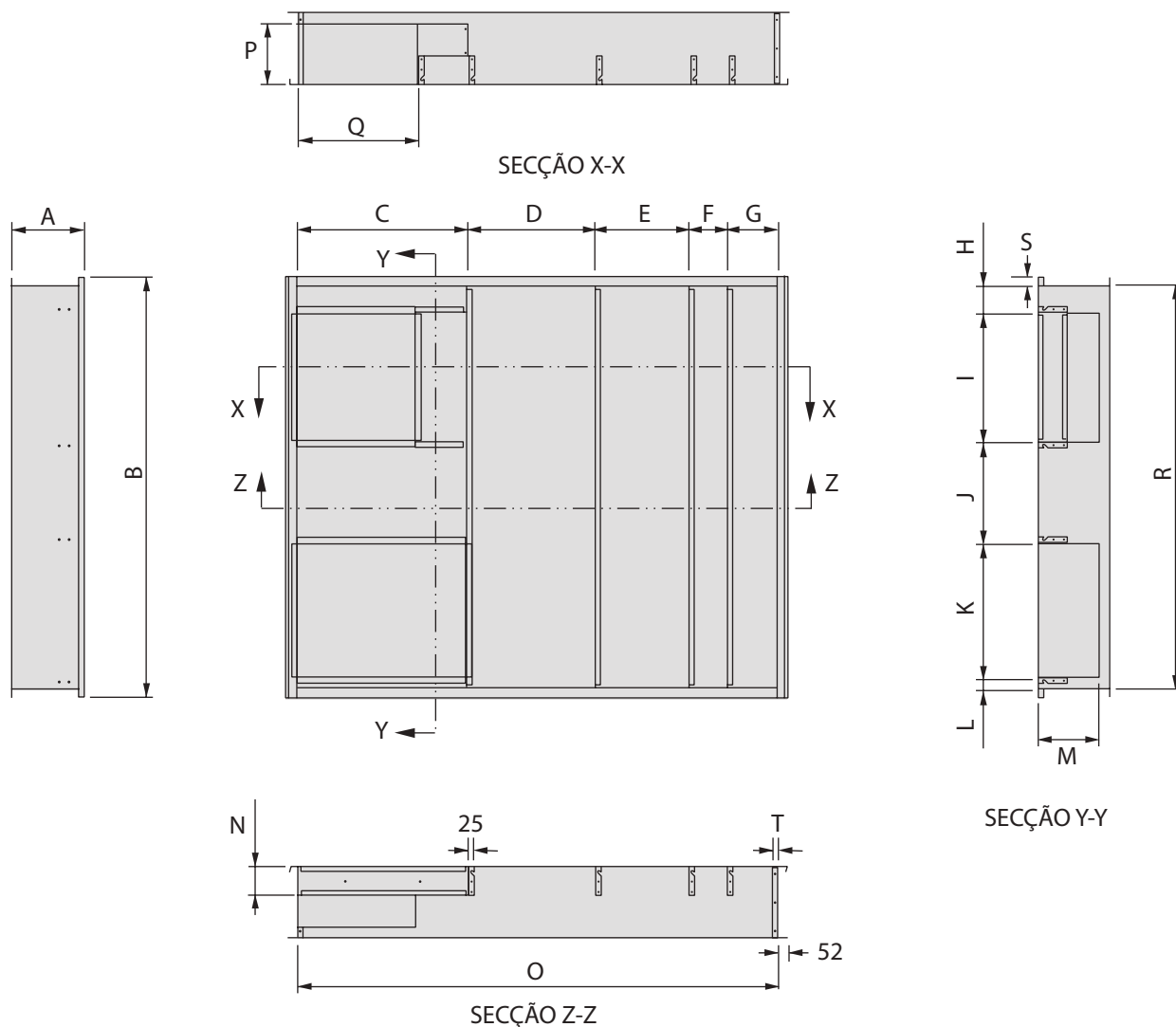
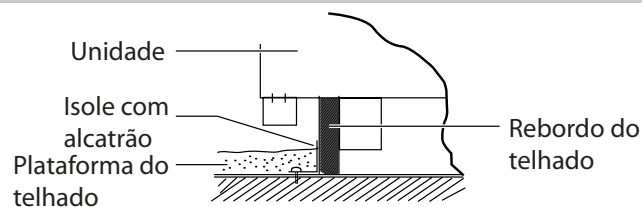
Não instale a unidade a uma altitude acima de 2000m.

B Construção da Conduta

- Esta unidade está equipada com aberturas de retorno e recirculação de ar. A ligação da conduta à unidade deve ser feita com flanges de conduta e fixa directamente às aberturas de ar com conectores de conduta flexíveis para evitar o ruído normal de transmissão.
- Para evitar fugas de ar, todas as fendas de conduta devem ser seladas.
- As condutas devem ser isoladas nos espaços sem ar condicionado.
- As condutas expostas ao exterior devem ser à prova do clima.
- As condutas com entrada pelo telhado, devem ter a entrada selada com calafetagem para evitar que chuva, areia, pó, etc, entrem no edifício.
- Deve ser instalado um filtro de tamanho correcto na conduta de ar recirculado.

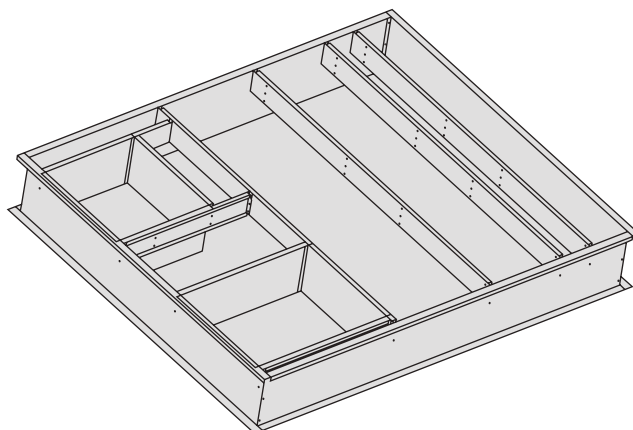
C Suporte da Unidade (Apenas para unidade virada para baixo)

- A figura mostra a utilização do rebordo do telhado para montar estas unidades.
- O rebordo deve ser selado e fixo ao telhado com calafetagem. Uma sugestão para selar a unidade e o rebordo do telhado como mostrado à direita.
- A dimensão do rebordo de telhado recomendado é mostrado abaixo.



Modelo (UATYQ)	250	350/450	550/600/700/900
A	355	355	355
B	1506	2081	2081
C	840	700	840
D	315	410	625
E	315	410	462
F	0	0	190
G	314	287	248
H	0	131	131
I	607	600	646
J	322	544	495
K	540	682	676
L	0	42	51
M	300	300	300
N	141	141	141
O	1784	1807	2365
P	300	300	300
Q	481	477	590
R	1469	1998	1998
S	20	41,5	41,5
T	20	41,5	41,5

Nota: Todas as dimensões estão em mm

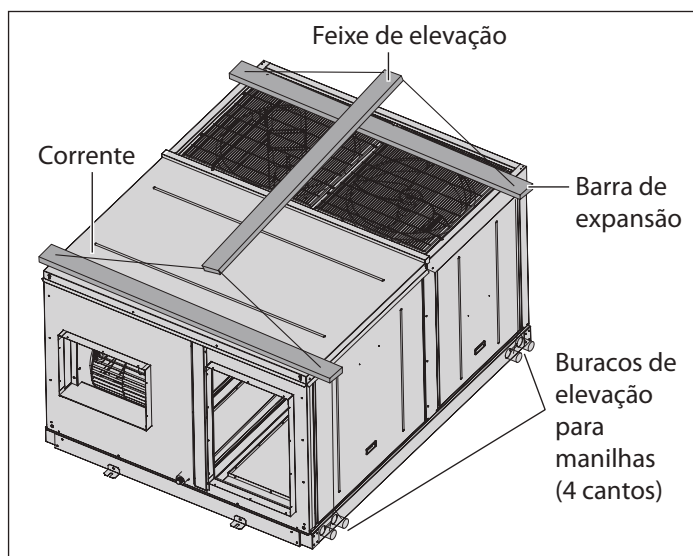


D Elevação da Unidade

- Buracos nos 4 cantos da unidade base são utilizados para a elevação da unidade.
- A barra de expansão deve ser ligeiramente mais larga do que a largura da unidade.
- O isolamento deve ser adicionado aos 4 cantos da corrente para evitar danos no painel ao levantar.

Nota

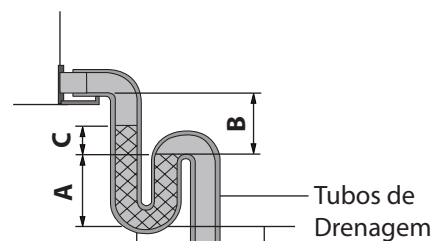
- A unidade mostrada no diagrama é UATYQ250.
- Outros modelos irão seguir o mesmo método de elevação.



E Tubos de Drenagem

- A 1" MPT é fornecida vedação de drenagem condensada. O tubo de drenagem pode ser retirado no lado frontal.
- O tubo de drenagem deve ser fornecido com uma curva fora da unidade e também ser instalado inclinado para uma drenagem apropriada, como mostrado à direita.
- Para evitar condensação e fugas, isole o tubo de drenagem para salvaguardar contra ressoado.
- Após completar o trabalho de tubagem, verifique se não há fugas e se a água é drenada adequadamente.

A tubagem de drenagem deve ter uma curva de drenagem.



A \geq 70mm

B \geq 2C

C \geq 2 X ESP

Curva de drenagem

Tubos de Drenagem

O tubo de drenagem deve estender-se abaixo deste nível.

Nota

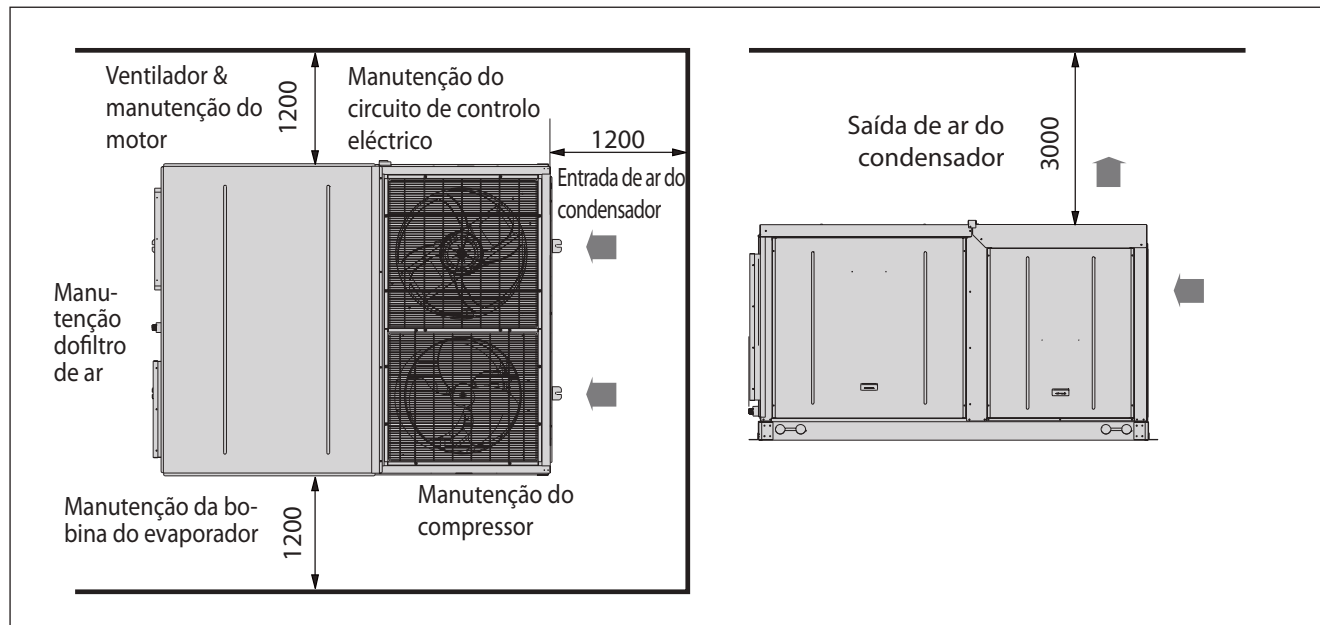
- ESP = Pressão Estática Externa

Curva de drenagem para condensar

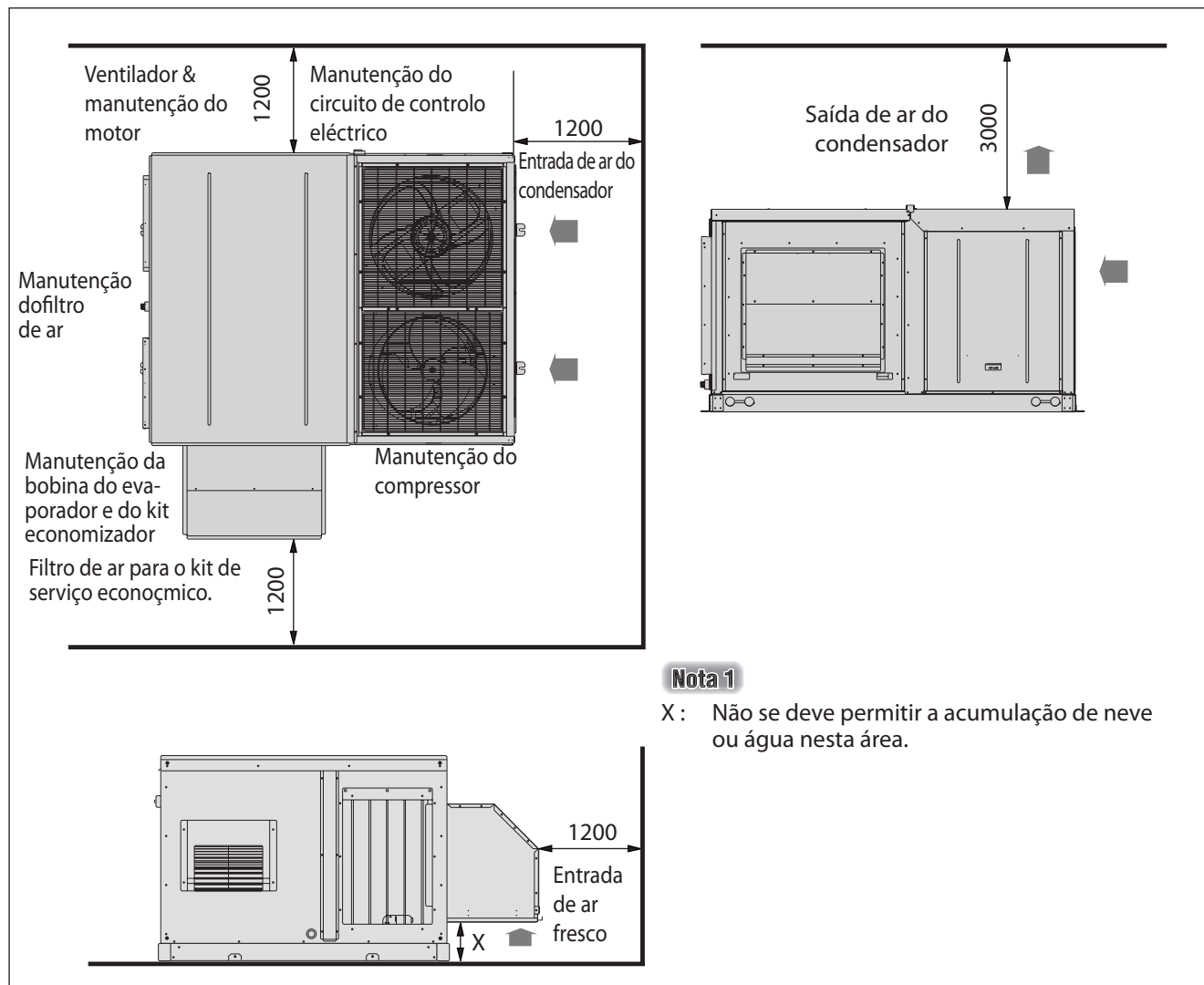
F Espaço Necessário em Redor da Unidade

Consulte o diagrama abaixo para o espaço necessário em redor da unidade. Note que:-

- Todas as dimensões mostradas estão em mm.
- Todos os valores de espaço mostrados são o **mínimo necessário** para a unidade.
- A unidade mostrada no diagrama é UATYQ250. Outros modelos devem seguir o mesmo espaço livre.



É necessário espaço adicional quando o kit economizador for instalado. Sempre que a unidade for equipada com o kit economizador, o espaço necessário em redor da unidade equipada com o kit economizador deve obedecer ao diagrama abaixo:-



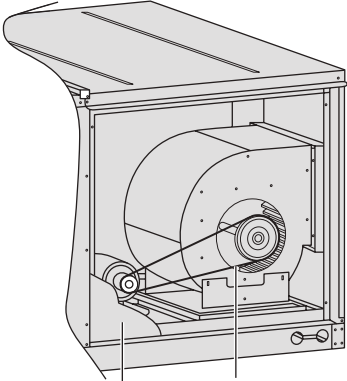
Nota 1

X: Não se deve permitir a acumulação de neve ou água nesta área.

G Conversão da unidade

Em caso de conversão da unidade padrão para unidade de deslocamento, siga as instruções indicadas a seguir:
UATYQ250, 350, 450, 550, 600, 700 & 900

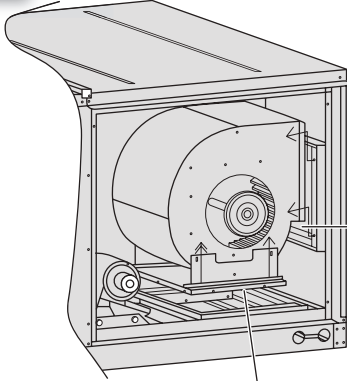
1



Remover o painel lateral

Remover as correias

2



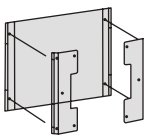
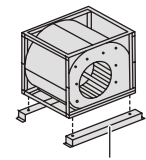
Remova os parafusos de ambos os lados

Destaque o ventilador

Destaque o suporte do ventilador

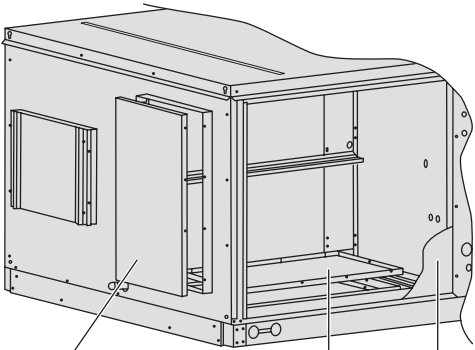
Para UATYQ250:
As duas placas laterais estão aparafusadas ao suporte do vaporizador como mostrado

Para UATYQ250, 350, 450, 550, 600, 700 & 900

As duas estruturas de fluxo descendente estão aparafusadas ao vaporizador

4



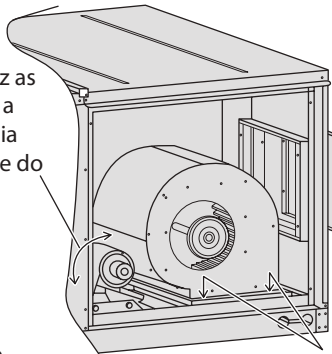
Cubra a abertura de recirculação horizontal com a tampa e aperte com firmeza. Consulte a Nota 2.

Desaparafuse a tampa de recirculação vertical do painel base

Remover o painel lateral do lado da recirculação

Por fim, inatale outra vez o painel lateral

3



Instale outra vez as correias. Ajuste a tensão da correia movendo a base do motor.

Cubra a abertura de fornecimento horizontal com o suporte do vaporizador que destacou do vaporizador e aperte com firmeza. Consulte a Nota 2.

Vire o vaporizador para baixo. Aparafuse de ambos os lados.

Instale outra vez as correias. Ajuste a tensão das correias. Por fim, inatale outra vez o painel lateral. Consulte a Nota 1.

Nota 1

Para conversão de unidade de deslocamento o comprimento da correia precisa ser alterado.
 Para uma unidade com correias padrão, comprimento = a mm
 A distância de um eixo ao outro para unidade de deslocamento, C-C = b mm

	UATYQ250	UATYQ350	UATYQ450	UATYQ550	UATYQ600	UATYQ700	UATYQ900
a	1432	1457	1382	1500	1500	1500	1500
b	425	430	345	420	420	440	445

Nota 2

O selante, tal como junta (abastecimento de campo) deve ser colocado entre a tampa metálica e a flange. Além disso, deve ser aplicado silicone resistente ao clima em todas as articulações, orifícios de parafusos e espaços para garantir estanquicidade.

Nota 3

Consulte o livro de dados de Engenharia para a curva do ventilador e os dados técnicos de variação da roldana.

DADOS FÍSICOS

Bomba de calor (R410A)

Modelo		UATYQ250	UATYQ350	UATYQ450	UATYQ550	UATYQ600	UATYQ700	UATYQ900
Refrigerante		R410A						
Carga do refrigerante	kg	6,1	5,8/5,8	7,2/7,2	8,7/8,7	10,4/10,4	11,6/11,6	11,6/11,6
Fluxo do ar do evaporador	CFM	3300	4300	5650	6700	7300	8300	9600
	L/S	1557	2029	2667	3162	3445	3917	4531
Pressão estática externa	mmAq	15			21			
	Pa	147			206			
Fluxo de ar do condensador	CFM	8230	6000/6000	6050/6050	6450/6450	10100/10100	10600/10600	10600/10600
	L/S	3884	2831/2831	2855/2855	3044/3044	4767/4767	5003/5003	5003/5003
Controlo		Controlador de telhado com fios						
Comprimento do controlo eléctrico (Padrão/Máx) : Tamanho	m : mm ²	15 / 100 : 3						
Compressor (Tipo/Quantidade)		Rolar/1	Rolar/2	Rolar/2	Rolar/2	Rolar/2	Rolar/2	Rolar/2
Filtro de ar (Tipo/Quantidade)		Saranet lavável/2						
Dimensão do filtro de ar (Comprimento x Largura x Espessura)	mm	880 x 467 x 4	1126 x 385 x 4	1126 x 435 x 4	1497 x 392 x 4	1497 x 495 x 4	1497 x 595 x 4	1497 x 595 x 4

DADOS ELÉCTRICOS

Bomba de calor (R410A)

Modelo		UATYQ250	UATYQ350	UATYQ450	UATYQ550	UATYQ600	UATYQ700	UATYQ900
Alimentation électrique	V/Ph/Hz	380-415/3N~/50						
Courant continu maxi (Comp)	A	26	17/17	19/19	26/26	28/28	29/29	40,0/40,0
Intensité de pleine charge (FLA, Comp)	A	21	12/12	15/15	21/21	22/22	25/25	34,0/34,0
Intensité à rotor bloqué (LRA, Comp)	A	111	74/74	101/101	111/111	118/118	118/118	174,0/174,0

O equipamento cumpre os requisitos da EN 61000-3-11 e está sujeito à ligação condicional à alimentação eléctrica. Pode ser ligado consultando a autoridade fornecedora de electricidade. O equipamento só pode ser ligado a uma alimentação eléctrica com sistema de impedância inferior ao valor indicado na tabela seguinte. A impedância do sistema no ponto da interface pode ser obtido através da autoridade fornecedora de electricidade.

Modelo	Impedância máxima (Z_{max}), ohm
UATYQ250	0,22
UATYQ350	0,23
UATYQ450	0,21
UATYQ550	0,21
UATYQ600	0,21
UATYQ700	0,21
UATYQ900	0,20

Se a alimentação eléctrica tiver uma impedância de sistema superior, poderão produzir-se descidas curtas de tensão quando o equipamento for iniciado ou durante o funcionamento. Este efeito pode influenciar ou afectar o funcionamento de outros aparelhos, como luzes a piscar, especialmente os que estão ligados à mesma alimentação eléctrica.

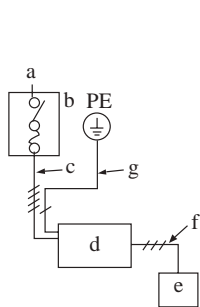
LIGAÇÃO ELÉCTRICA

- Todo o trabalho eléctrico deve ser efectuado por um electricista qualificado de acordo com os requisitos locais e regulamentos associados.

Método para conectar fios eléctricos

Antes de ligar o fio, consulte a companhia de energia eléctrica de jurisdição.

1. O esquema de ligação de toda a unidade



a	Alimentation eléctrica
b	Interruptor/fusível principal (campo de fornecimento)
c	Ligação da fonte de energia para a unidade
d	Unidade
e	Controlo remoto
f	Ligação eléctrica para a unidade & controlador remoto
g	Terra

2. Ligação eléctrica à unidade

Guie os fios da fonte de alimentação e de controlo através dos orifícios destapados ou orifícios para os cabos na unidade.

Remova os painéis de manutenção e ligue os fios de fornecimento de energia das unidades ao bloco de terminal dentro da caixa de controlo, como mostrado.

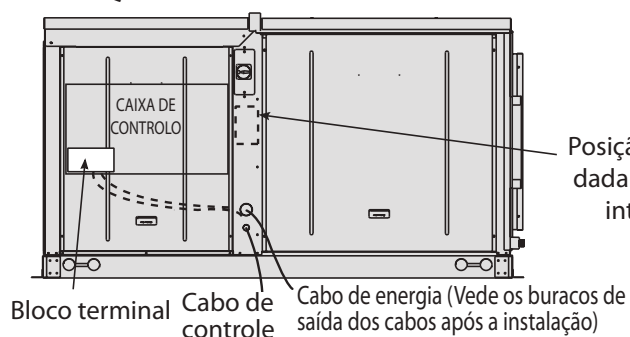
Utilize as abraçadeiras de abertura fácil por pressão que estão localizadas na parte inferior da caixa de controlo para suportar adequadamente os fios da fonte de alimentação.

Nota

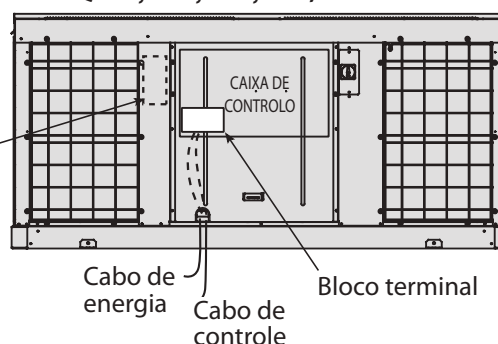
Ao instalar o disjuntor na unidade, certifique-se que os parafusos não danificam os componentes (e.x. bobina) dentro da unidade. A caixa do interruptor pode também ser instalada sem ser anexada à unidade.

Os buracos destapados estão apenas disponíveis para o UATYQ250; Os UATYQ350, UATYQ450, UATYQ550, UATYQ600, UATYQ700 e UATYQ900 vêm com um buraco de cabo de energia.

UATYQ250



UATYQ350, 450, 550, 600, 700 & 900



Exemplo de Electricidade e Seleção do Disjuntor

Modelo	Cabo de energia (mm ²)	Capacidade do disjuntor(A)	Interruptor de protecção de sobrecorrente (A)	Cabo Terra (mm ²)
UATYQ250	4	32	32	4
UATYQ350	6	40	40	6
UATYQ450	10	40	40	10
UATYQ550	10	50	50	10
UATYQ600	16	63	63	16
UATYQ700	25	80	80	25
UATYQ900	35	100	100	35

Nota

Um interruptor principal ou outros meios de desconexão, tendo uma separação de contacto em todos os pólos, deve ser incorporado na ligação eléctrica fixa de acordo com a legislação local e nacional.

- A unidade é para ser ligada directamente a partir de um quadro de distribuição eléctrica através de um disjuntor (preferencial) ou de um fusível HRC.
- Fixe a ligação da fonte de energia ao módulo de controlo. Conecte a ligação eléctrica de controlo ao bloco terminal de controlo através do buraco da caixa de controlo.
- A ligação Terra deve estar ligada.
- O cabo da fonte de energia deve ser equivalente a H07RN-F que é o requisito mínimo, e para ser utilizado no tubo protector.
- Deverá existir um disjuntor geral no fornecimento principal com um afastamento de pelo menos 3 mm.

AVISO

- Antes de trabalhar nesta unidade, isole-a da fonte de energia.
- A Ligação eléctrica a esta unidade e ao controlador remoto deve ser instalada com o requisito apropriado do código de ligação local.

Observe as notas mencionadas abaixo ao ligar ao bloco terminal. Precauções a ter na ligação da fonte de energia.

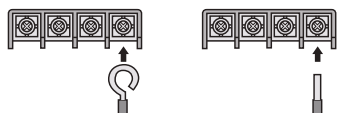
(Utilize um terminal redondo estilo aperto para ligação ao bloco terminal. No caso de não ser possível utilizar devido a razões inevitáveis, certifique-se que segue as seguintes instruções.)

Terminal redondo
estilo aperto



CUIDADO

Ao ligar os fios ao bloco terminal utilizando apenas um único fio central, certifique-se que os enrola. Problemas com o trabalho podem provocar calor e incêndio.



Calafetar o fio no bloco terminal

Calafetar a
extremidade do
fio neste ponto.



○ Certo

Comprimento de
calafetagem excessivo
pode provocar choque
eléctrico ou fuga.



× Errado

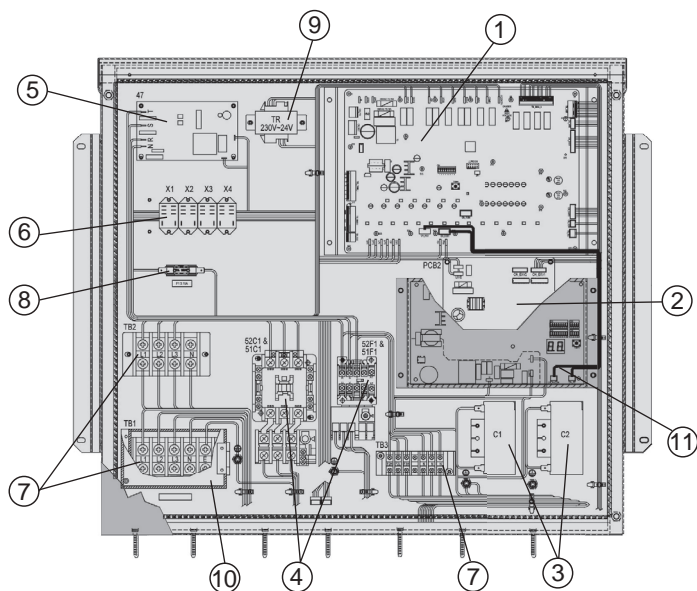
- Puxe o fio e certifique-se que ele não se desliga. Depois fixe o fio no sítio com um parador.

AVISO

- O fio de transmissão deve ser encaminhado para pelo menos 50mm longe do cabo de alimentação.
- O fio de transmissão deve ser um fio protegido.

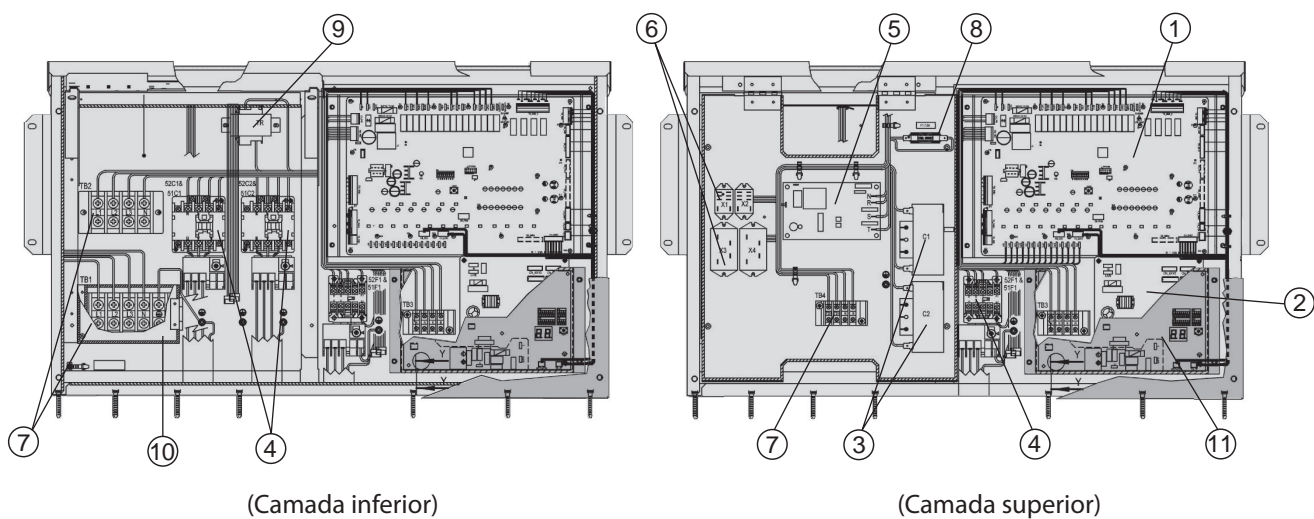
Arranjo de blocos terminal e componentes para controlador são mostrados como abaixo:

A Módulo de controlo UATYQ250



Nº.	Descrição do item
①	Quadro principal do controlador
②	Quadro do Controlador EXV
③	Condensador
④	Contactor
⑤	Protector de Fase
⑥	Relé
⑦	Bloco de terminal
⑧	Fusível
⑨	Transformador
⑩	Terminal do bloqueio da trava.
⑪	Quadro e Controlo Económico

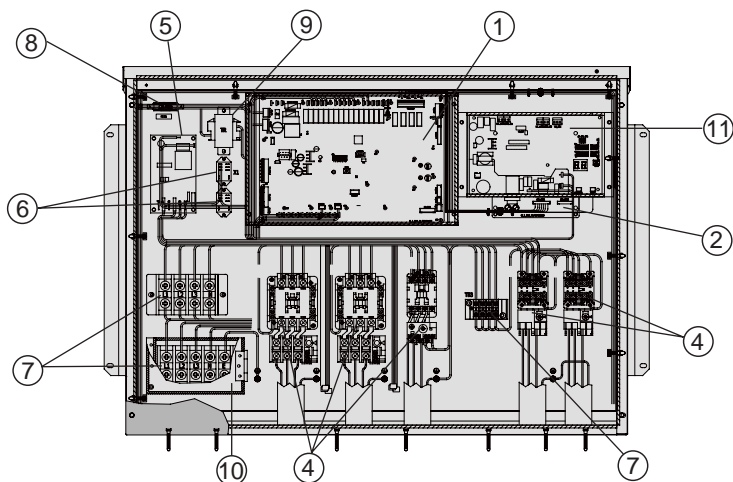
B Módulo de controlo UATYQ350/450/550



(Camada inferior)

(Camada superior)

C Módulo de controlo UATYQ600/700/900



AVISO

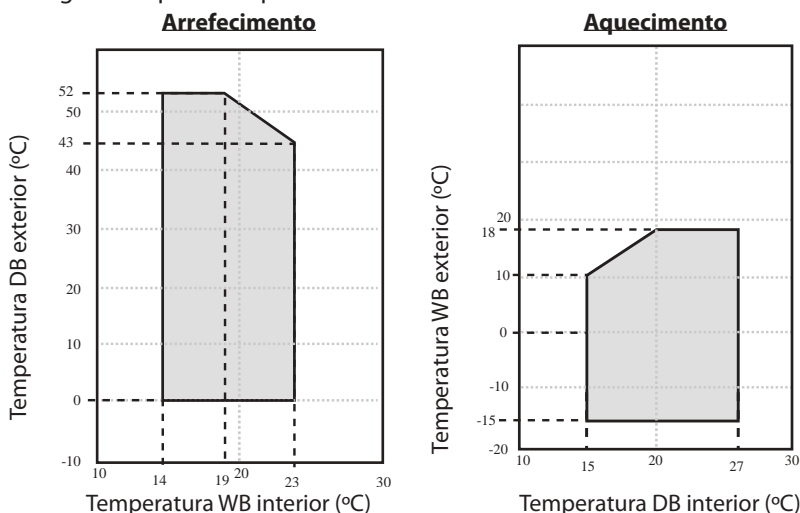
A menos que o interruptor de alimentação principal está desligada, o bloco terminal (TB1) permanecerá vivo quando o isolador está desligado.

Nota

Deve utilizar-se o item 11 (Quadro de Controlo Económico) juntamente com o kit economizador que é fornecido separadamente como acessório.

ALCANCE DE FUNCIONAMENTO

Assegure-se que a temperatura de funcionamento está dentro do alcance permitido, como no diagrama abaixo:



CUIDADO

A utilização do ar condicionado fora do alcance da temperatura de funcionamento e humidade pode resultar em falhas graves.

Nota

Consulte a unidade Faixa de Operação com a opção econômica na parte (E) (vi), no capítulo "ACESSÓRIO OPCIONAL".

DB = Bolbo Seco
WB = Bolbo Húmido

GUIA DA OPERAÇÃO DE CONTROLO

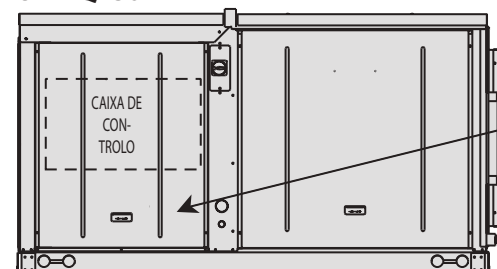
A unidade está equipada com um quadro principal de controlador, e um controlador remoto com fio está ligado ao quadro principal do controlador.

Todas as definições na unidade são pré-definidas pelo fabricante. Não é recomendado mudar as definições excepto se necessário.

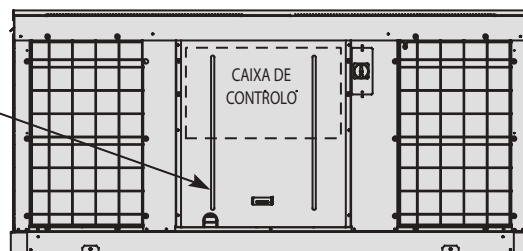
a) Localização do Controlador Remoto

O controlador remoto está localizado num suporte metálico atrás do painel de manutenção. É embalado juntamente com o manual de instalação.

UATYQ250



UATYQ350, 450, 550, 600, 700 & 900



Remova o painel

b) Mostrador LED (Quadro Principal do Controlador)

O LED piscará quando liga a unidade.

c) Mostrador LCD (Controlador Remoto)

Durante as operações normais, o LCD mostra o estado ligado/desligado do compressor, modo, temperatura definida etc. Consulte o Manual de Funcionamento para mais detalhes do guia de funcionamento. O LCD mostrará o ecrã principal quando ligado. Quando ocorre uma avaria, aparecerá uma mensagem no LCD com luz de fundo e um som "bip".

d) Configurações Opcionais

O quadro principal do controlador pode ser utilizado como interface para controlo do termostato e sistema BMS.

(i) Controlo do Termostato (TB_THM-I)

- Para utilizar este controlo, defina a configuração do Interruptor Dip: SW1-ON (padrão está OFF).
- Siga o método abaixo para as entradas de controlo de termostato:

G	Y1	Y2	W1	W2	Modo	Funcionamento
0	0	0	0	0	-	Unidade desligada
1	0	0	0	0	Ventoinha	Ventoinha interior ligada
X	1	0	X	X	Frio	1 fase compressor
X	1	1	X	X	Frio	2 fase compressor
X	0	X	1	0	Bomba de calor/Aquecedor	1 fase compressor
X	0	X	1	1	Bomba de calor/Aquecedor	2 fase compressor

Observação: X = Não interessa.



- Consulte a tabela abaixo para recomendações de instalação:

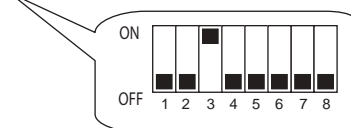
Entrada	Voltagem Nominal	Corrente nominal	Tamanho do fio
G	24V AC	5mA	AWG18~22
Y1			
Y2			
W1			
W2			

Note

- Quando o quadro principal do controlador está configurado como controlo do termóstato, o controlador remoto é utilizado apenas para monitorizar.
 - A unidade necessita ser reiniciada (energia desligada e ligada) sempre que a definição do interruptor dip é modificado.
- (ii) Controlo BMS (TB_BMS-I)
- Para utilizar este controle, defina a chave Dip em: SW3 – Ligado (o padrão está em OFF) e painel (padrão em '0').

Nota

- G8 = Tipo de Controlo
 - 0 = Painel
 - 1 = BMS
 - 2 = DEC
- Para TB_BMS-I, existem 3 entradas de controlo: unidade ligada/desligada; modo de funcionamento (frio-0/calor-1); e ponto de referência (4~20mA).
- Consulte a tabela abaixo para recomendações de instalação:



Entrada TB_BMS-I	Voltagem Nominal	Corrente nominal	Tamanho do fio
Ligado/Desligado	24V AC	5mA	AWG18~22
Modo de funcionamento	24V AC	5mA	
Ponto de referência Frio/Calor	-	4~20mA	

Note

- Os sinais de saída irão variar dependendo da configuração do quadro principal do controlador, quer seja controlo do termóstato ou controlo BMS.
 - A unidade necessita ser reiniciada (energia desligada e ligada) sempre que a definição do interruptor dip é modificado.
- (iii) Saída de contacto seco (TB_BMS-O)
- Para TB_BMS-O, existem 4 saídas monitorizadas: alarme de erro; saída1; saída2; e sinal de descongelar.
 - Consulte a tabela abaixo para recomendações de instalação:

Entrada TB_BMS-O	Voltagem Nominal	Corrente nominal (A)	Tamanho do fio
Saída de Alarme (AL)	230V AC/125V AC/30V DC	1/3/3	AWG18~22
Saída1 (O1)	230V AC/125V AC/30V DC	2/3/3	
Saída2 (O2)	230V AC/125V AC/30V DC	3/3/3	
Sinal de descongelar (DFRT)	230V AC/125V AC/30V DC	4/3/3	

- Os sinais de saída irão variar dependendo da configuração do quadro principal do controlador, quer seja controlo do termóstato ou controlo BMS.

(1) Para controlo do termóstato, as saídas são indicadas como mostra a tabela abaixo.

Entrada termóstato (SW1-ON)					ERRO	DEFROST (DESCONGELAR)	Saída de Alarme (AL)	Saída1 (O1)	Saída2 (O2)	Sinal de descongelar (DFRT)
G	Y1	Y2	W1	W2						
0	0	0	0	0	X	X	X	0	0	X
1	0	0	0	0	X	X	X	0	1	X
X	1	0	X	X	X	X	X	1	0	X
X	1	1	X	X	X	X	X	1	0	X
X	0	X	1	0	X	X	X	1	1	X
X	0	X	1	1	X	X	X	1	1	X
X	X	X	X	X	1	X	1	X	X	X
X	X	X	X	X	X	1	X	X	X	1

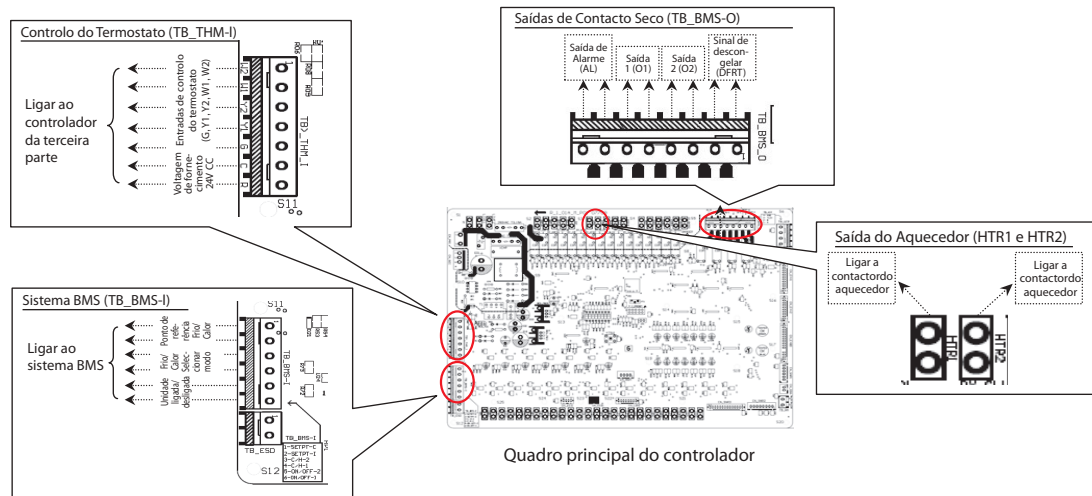
Observação: X = Não interessa.

(2) Para controlo BMS, as saídas são indicadas como mostra a tabela abaixo.

Entrada BMS (SW3-ON)			ERRO	DEFROST (DESCONGELAR)	Saída de Alarme (AL)	Saída1 (O1)	Saída2 (O2)	Sinal de descongelar (DFRT)
LIGADO/DESLIGADO	MODO DE FUNCIONAMENTO	FRIO/CALOR PONTO DE REFERÊNCIA						
0	0	X	X	X	X	0	0	X
0	1	X	X	X	X	0	1	X
1	0	X	X	X	X	1	0	X
1	1	X	X	X	X	1	1	X
X	X	X	1	X	1	X	X	X
X	X	X	X	1	X	X	X	1

Observação: X = Não interessa.

O diagrama abaixo mostra a posição para blocos terminais no quadro do controlador, que são utilizados para controlo do termostato e sistema BMS. Além disso, os pinos de saída para aquecedor eléctrico auxiliar também são mostrados.



(iv) Saída do Aquecedor Eléctrico Auxiliar (HTR1 e HTR2)

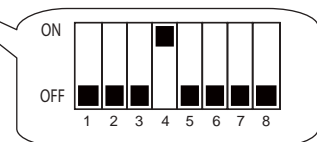
- Existem dois pinos de saída (HTR1 e HTR2) no quadro principal do controlador, que são utilizados para energizar o contactor do aquecedor. O contactor deve ser seleccionado de acordo para evitar qualquer questão de segurança.
- O aquecedor deve ser instalado de acordo com a legislação local e nacional. Deve estar de acordo com a norma EN60335-2-40.
- O(s) fusível(eis) deve(m) ser instalado(s) no aquecedor para eliminar qualquer perigo ou dano no aquecedor/unidade. Isto é especialmente crítico quando existe alguma avaria no quadro principal do controlador ou vaporizador.
- O aquecedor deve estar num local seguro, onde nenhum risco de danos pode acontecer à unidade.
- Utilize condutas não inflâmáveis para a unidade que está instalada com aquecedor
- Utilize uma fonte de energia diferente para o aquecedor eléctrico e instale um disjuntor para cada aquecedor.
- Temperatura máxima da unidade não deve exceder 60°C. A medição da temperatura deve ser feita durante a instalação ou na entrada em funcionamento para assegurar que a temperatura não ultrapassa este valor.
- Selecciono o dispositivo de segurança adequado ou protector termal de acordo.
- O aquecedor nunca deve ser instalado dentro da unidade. O local recomendado para o aquecedor é dentro da conduta de fornecimento, onde a distância do aquecedor é suficiente para assegurar que a temperatura no interior da unidade não excede os 60°C.

(v) Controlo do economizador

- Certifique-se de que o kit economizador foi incorporado com a unidade do topo do tecto antes de activar a função economizadora no quadro principal do controlador. Caso contrário, ocorrerá um erro.
- Para activar a função economizadora, defina a configuração do Interruptor Dip: SW4 - ON (padrão está OFF) no quadro principal do controlador e o parâmetro do painel G6 para '1' (padrão está '0').

Nota

G6 = Controlo do economizador
 0 = desactivar
 1 = activar.



- No quadro do controlador do economizador, existem 4 interruptores dip e 3 jumper de derivação que proporcionam uma selecção flexível com base em requisitos diferentes:
 - Interruptor Dip 1: Configuração de abertura mínima de ar fresco no modo de aquecimento, na qual a selecção de pinos diferentes resultará em configurações de abertura diferentes. SW1: 5%, SW2: 10%, SW3: 15%, SW4: 20%, SW5: 25%, SW6/7/8: nenhuma função, Padrão: 0% (nenhuma selecção, tudo OFF).
 - Interruptor Dip 2: Configuração de abertura mínima de ar fresco no modo de arrefecimento, na qual a selecção de pinos diferentes resultará em configurações de abertura diferentes. SW1: 0%, SW2: 5%, SW3: 15%, SW4: 20%, SW5: 25%, SW6/7/8: nenhuma função, Padrão: 10% (nenhuma selecção, tudo OFF).
 - Interruptor Dip 3: Selecção do valor limite do nível de ppm CO₂, na qual a selecção de pinos diferentes resultará em configurações de valores diferentes. SW1: 25%, SW2: 50%, SW3: 75%, SW4: 100%, Padrão: 0% (nenhuma selecção, tudo OFF).
 - Interruptor Dip 4: Tipo de funcionamento, que inclui a selecção seguinte:-
 - SW1: OFF = Funcionamento com diferencial de temperatura (padrão), ON = Nenhuma função neste momento.
 - SW2: OFF = Modo economizador (padrão), ON = Modo de ar fresco.
 - SW3: OFF = A protecção contra arrefecimento excessivo está activada (padrão), ON = A protecção contra arrefecimento excessivo não está activada.

Jumper de derivação 1, 2 e 3: Configuração de abertura mínima de ar fresco no modo de ventoinha, na qual a selecção de pinos diferentes resultará em configurações de abertura diferentes. Deixe o nome do jumper de derivação 1 = JP1, jumper de derivação 2 = JP2 e jumper de derivação 3 = JP3; consulte a tabela abaixo para a selecção de aberturas de ar fresco diferentes:-

Abertura de ar fresco (%)	JP1	JP2	JP3
0 (padrão)	OFF	OFF	OFF
10	OFF	OFF	ON
20	OFF	ON	OFF
30	OFF	ON	ON
40	ON	OFF	OFF
50	ON	OFF	ON
70	ON	ON	OFF
85	ON	ON	ON

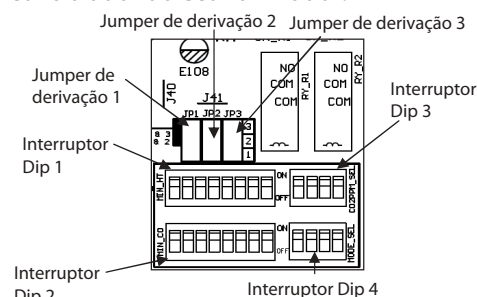
Legenda: OFF = Pino curto 2 e pino 3
ON = Pino curto 1 e pino 2



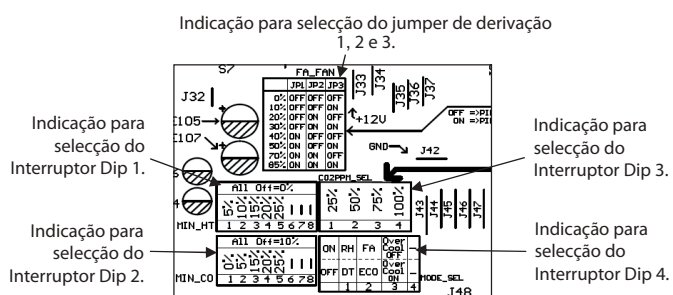
CUIDADO

Os interruptores Dip 1, 2 e 3 permitem apenas a selecção de 1 pino. A selecção de vários pinos irá provocar um erro e o funcionamento retomará a configuração padrão. No entanto, o Interruptor Dip 4 permite a selecção de vários pinos.

Localização de interruptores dip e de Jumpers de derivação no quadro do controlador do economizador:



Indicação no quadro do controlador do economizador:

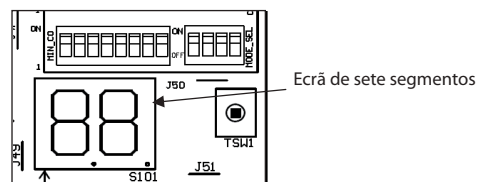


- Existem dois LEDs no quadro do controlador do economizador, um LED verde e um LED vermelho. O LED vermelho piscará quando o quadro do controlador do economizador for ligado. O LED vermelho piscará quando ocorrer um ou mais erros. Consulte a tabela abaixo para ver os códigos de erro e o seu significado:-

Código de erro	Falha
F0	Falha/ avaria do actuador de ar fresco
F1	Falha/ avaria do actuador de ar recirculado
F2	Erro de comunicação
F3	Curto-circuito do sensor de CO ₂
F4	Sensor de CO ₂ aberto
F5	Curto-circuito do sensor de HR do ar fresco
F6	Sensor de HR do ar fresco aberto
F7	Curto-circuito do sensor de HR do ar recirculado
F8	Sensor de HR do ar recirculado aberto
F9	Activação da protecção do actuador
FA	Seleccção de vários pinos no Interruptor Dip 1, 2 ou 3

Nota

Os códigos de erro serão mostrados no ecrã de sete segmentos do quadro do controlador do economizador.



Nota

Quando ocorrerem erros e se a falha persistir, por favor contacte o seu fornecedor/técnico local autorizado para resolver o problema. No entanto, todos os erros que ocorrerem no quadro do controlador do economizador não afectarão o normal funcionamento da unidade do topo do tecto.

REPARAÇÕES E MANUTENÇÃO

Nota é válido para a Turquia apenas: A vida útil de nossos produtos é de 10 (dez) anos

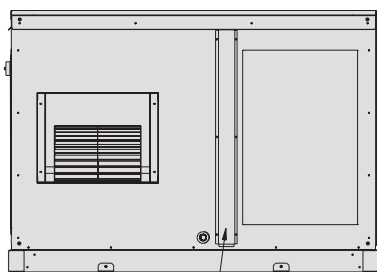
MANUTENÇÃO DO FILTRO

- Remova qualquer pó aderente ao filtro com um aspirador ou lave em água morna (abaixo de 40°C) com detergente de limpeza neutro.
- Limpe bem o filtro e seque-o antes de o colocar novamente na unidade.
- Não utilize gasolina, substâncias voláteis ou químicos para limpar o filtro.
- Limpe o filtro pelo menos de 1 em 2 semanas. Ou com mais frequência se necessário.

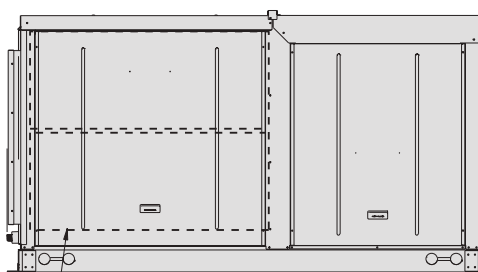
Posição do filtro

Os filtros estão montados em frente do permutador de calor interior.

A unidade mostrada no diagrama é UATYQ250. Outros modelos devem seguir o mesmo método.

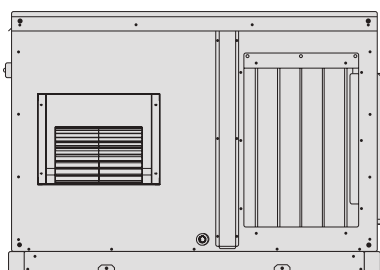


Remova a tampa do filtro para manutenção do filtro.



Como alternativa, remova o painel lateral para a manutenção do filtro.

Para a unidade que for instalada juntamente com o kit economizador, existe um filtro adicional que é montado na parte inferior da cobertura de chuva. A unidade mostrada no diagrama é UATYQ250 + kit economizador (instalado no local). Outros modelos devem seguir o mesmo método.



Cobertura de chuva (instalada no local)

Remova a tampa do filtro a cobertura de chuva para manutenção do filtro.



CUIDADO

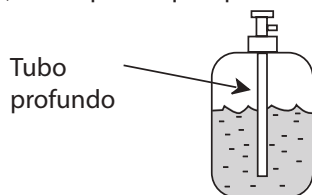
Certifique-se de que o filtro é colocado adequadamente e que a tampa do filtro é apertada firmemente com parafusos após a manutenção para evitar a fuga de água. Se for necessário, deve ser aplicado silicone resistente ao clima para garantir um acabamento estanque na tampa do filtro e na cobertura de chuva.

PORTUGUÊS

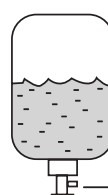
VÁCUO E CARREGAMENTO

As unidades do pacote do topo do tecto são precarregados de fábrica com refrigerante suficiente. No entanto, pode haver uma necessidade de recuperação de carga durante a reparação e trabalhos de manutenção. Por isso, algumas precauções devem ser tomadas para assegurar um funcionamento do sistema óptimo e livre de avarias:

- O sistema deve ser cuidadosamente limpo para assegurar ausência de gás incompressível e humidade.
- Use uma bomba de vácuo para o R410A exclusivamente. A utilização da mesma bomba de vácuo para diferentes refrigerantes pode danificar a bomba de vácuo ou a unidade.
- O refrigerante nunca deve ser libertado directamente para o ambiente.
- Quando carregar o R410A, certifique-se que apenas líquido está a ser retirado do cilindro ou lata.



Tubo profundo



Inverter o cilindro sem tubo profundo

Retirar líquido

Normalmente, o cilindro R410A ou lata está a ser equipado com um tubo profundo para retirar líquido. No entanto, se o tubo profundo não está disponível, inverta o cilindro ou lata de forma a retirar líquido à válvula na parte inferior.



CUIDADO

- R410A deve ser carregado como líquido. Normalmente o cilindro R410A está equipado com um tubo profundo para retirar líquido. Se não há nenhum tubo profundo, o cilindro deve ser invertido para retirar líquido R410A da válvula.
- Não reforce a reparação de uma fuga, pois isto irá reduzir o desempenho da unidade. Limpar a unidade cuidadosamente e depois carregá-la com novo R410A de acordo com a quantia recomendada na especificação.

RESOLUÇÃO DE PROBLEMAS

Para quaisquer questões sobre partes suplentes, por favor contacte o seu fornecedor autorizado. Se qualquer avaria é notada no ar condicionado, verifique as seguintes condições de falhas e causas para algumas dicas simples de resolução de problemas.

Problema	Causas	Acção
A unidade não funciona.	<ul style="list-style-type: none"> ● Falha de energia. ● Fusível queimou ou disjuntor disparou. ● Fase da ligação da fonte de energia incorrecta. 	<ul style="list-style-type: none"> ▶ ● Prima o [ON/OFF] após restabelecimento da energia. ▶ ● Substituir fusível ou reiniciar o disjuntor. ▶ ● Modificar a fase de ligação.
O compressor não funciona 3 min após a unidade ter iniciado.	<ul style="list-style-type: none"> ● Protecção contra o iniciar frequente. 	<ul style="list-style-type: none"> ▶ ● Espere 3 min para o compressor iniciar.
O fluxo de ar está baixo.	<ul style="list-style-type: none"> ● O filtro está cheio de pó e sujidade. ● Há alguns obstáculos na entrada ou saída das unidades. 	<ul style="list-style-type: none"> ▶ ● Limpe o filtro. ▶ ● Remover obstáculos.
O compressor funciona continuamente.	<ul style="list-style-type: none"> ● Filtro de ar sujo. ● A definição da temperatura é demasiado baixa (para arrefecimento). ● A definição da temperatura é demasiado alta (para aquecimento). 	<ul style="list-style-type: none"> ▶ ● Limpe o filtro de ar. ▶ ● Reiniciar a temperatura.
Nenhum ar fresco durante o ciclo de arrefecimento, ou nenhum ar quente durante o ciclo de aquecimento.	<ul style="list-style-type: none"> ● A definição da temperatura é demasiado alta (para arrefecimento). ● A definição da temperatura é demasiado baixa (para aquecimento). 	<ul style="list-style-type: none"> ▶ ● Baixe a temperatura. ▶ ● Aumente a temperatura.
No ciclo de aquecimento, nenhum ar fornecido (UATYQ250). Ou, o ar fornecido não é suficientemente quente (UATYQ350/450/550/600/700/900).	<ul style="list-style-type: none"> ● A unidade está no ciclo de descongelamento. 	<ul style="list-style-type: none"> ▶ ● Espere um pouco. (Será reiniciada após o descongelamento.)

Se a falha persistir, por favor ligue ao seu fornecedor/técnico local autorizado.

ACESSÓRIO OPCIONAL

KIT ECONÔMICO

A Introdução

O kit Econômico é um acessório fornecido pela fábrica, mas requer a instalação de campo. O kit econômico é compatível com os modelos R410-A externo. Se você não tem certeza se este kit pode ser utilizado com a sua unidade em particular, entre em contato com a divisão de serviços autorizados. O kit econômico permite que o ar vindo de fora possa ser misturado com o ar de retorno para um resfriamento “livre” se a temperatura do ar exterior for adequada. O resfriamento econômico pode ser usado sozinho ou em conjunto com a refrigeração mecânica. Além disso, o kit econômico pode ser utilizado também para fornecer ventilação de ar, assim, poderá melhorar a qualidade do ar interior. É fundamental fazer uma seleção correta do kit econômico, consulte a tabela abaixo para orientação na seleção:

Nº.	Componente Externo	O kit ECONÔMICO que é compatível com a componente externo
1	UATYQ250	ECONO250
2	UATYQ350	ECONO350
3	UATYQ450	ECONO450
4	UATYQ550	ECONO550
5	UATYQ600	ECONO600
6	UATYQ700	ECONO700
7	UATYQ900	ECONO900

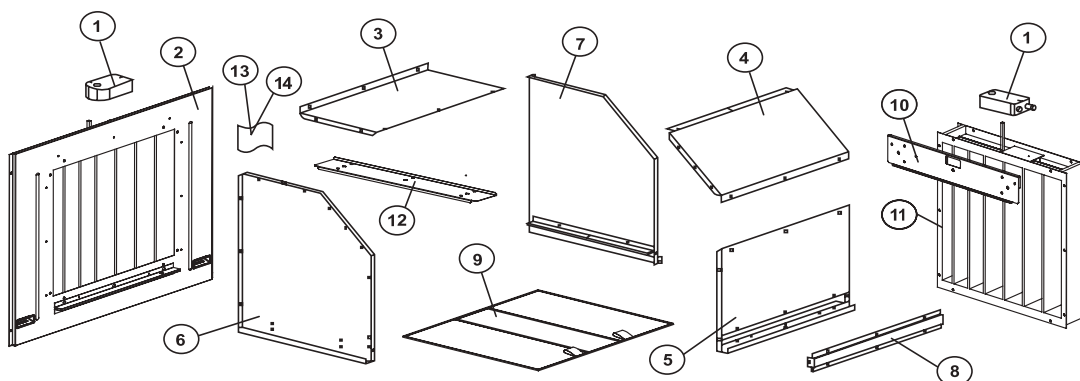
Nota

A seleção errada poderá causar que o kit não encaixe no componente externo.

B Verificação de pré-instalação

(i) O Conteúdo do Kit Economizador

Antes da instalação, é recomendável verificar o conteúdo do kit após a remoção da embalagem. O kit inclui os seguintes componentes:

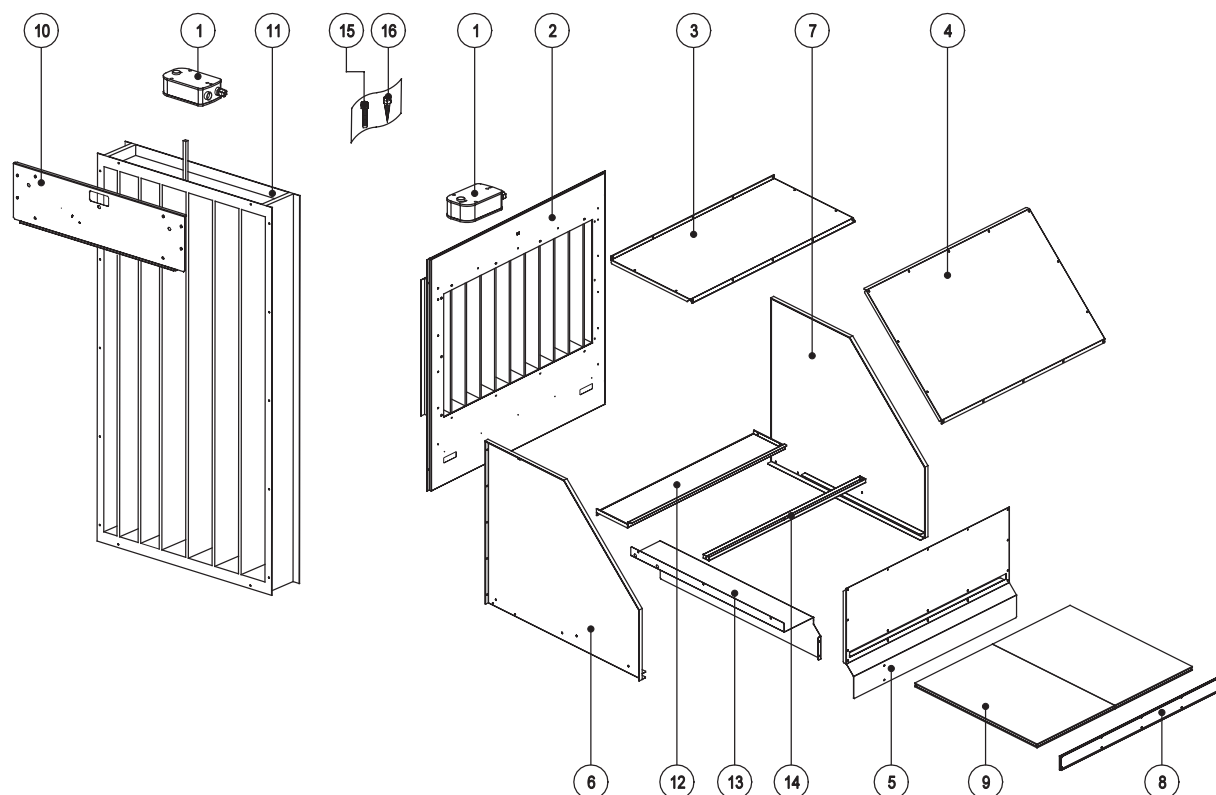


Nº.	Descrição do item	Quantidade (conjunto)
1	Atuador Belimo, LF24-SR	2
2	Painel lateral com filtro de ar exterior	1
3	Cobertura, painel superior	1
4	Cobertura, painel central	1
5	Cobertura, painel inferior	1
6	Cobertura, painel lateral esquerdo	1
7	Cobertura, painel lateral direito	1

Nº.	Descrição do item	Quantidade (conjunto)
8	Tampa do filtro	1
9	Filtro	1
10	Suporte, amortecedor de circulação de ar	1
11	Circulador de ar	1
12	Suporte de apoio, unidade de deslocamento	1
13	Parafuso, M5x16	55
14	Parafuso, M4x12	4

* Suporte de apoio, com ângulo descendente (item 12) não se encontra disponível no modelo ECONO700.

(ii) O Conteúdo do Kit Economizador UATY900



Nº.	Descrição do item	Quantidade (conjunto)	Nº.	Descrição do item	Quantidade (conjunto)
1	Atuador Belimo, LF24-SR	2	9	Filtro	1
2	Painel lateral com filtro de ar exterior	1	10	Suporte, amortecedor de circulação de ar	1
3	Cobertura, painel superior	1	11	Circulador de ar	1
4	Cobertura, painel central	1	12	Cobertura, painel inferior	1
5	Cobertura, painel frontal	1	13	Flange, Ar cobertura 1	1
6	Cobertura, painel lateral esquerdo	1	14	Filtro suporte	1
7	Cobertura, painel lateral direito	1	15	Parafuso, M5x16	97
8	Tampa do filtro	1	16	Parafuso, M4x12	4

Nota

Contate o serviço autorizado se o acessório estiver danificado ou incompleto.

(iii) De Espaço da Unidade

Fornece espaço suficiente para o fluxo de ar, manutenção e instalação antes do kit ser instalado na unidade. Não deverá haver obstrução do fluxo de ar neste espaço. Consulte a parte (F) no capítulo “INSTALAÇÃO DA UNIDADE” neste manual. Falha em fazê-lo poderá causar baixo fluxo de ar ou mau funcionamento da unidade.

(iv) local de instalação

Siga as recomendações indicadas no item (A) no capítulo “INSTALAÇÃO DA UNIDADE” neste manual. Além disso, existe a necessidade de considerar as condições de instalação em todo kit que:

- A abertura da cobertura de chuva no piso nunca deverá ter neve ou acúmulo de água.
- A entrada de ar fresco não ficará na direção predominante do vento.
- O ar exterior deverá ser sempre limpo e sem odor, em conformidade com o limite de concentração de vários contaminantes definidos pelos padrões locais, e não ultrapassar o valor do limite limiar (VLL) de toxicidade especificados pelas normas locais.

(v) Função Silencioso

Verifique os dois silenciadores no kit econômico, que estão no item 2 e 11, girando o eixo do silenciador em +90° e -90° (totalmente aberta a totalmente fechada, ou vice-versa). O botão do silenciador deve ser suave e fácil de girar. Quaisquer danos ou anomalias deverão ser informadas à divisão de serviços autorizados.

C Ferramentas e materiais necessários para instalação

- | | |
|----------------------------------------------------|------------------------------------------|
| (i) Chave de fenda elétrica com soquetes variados. | (vi) Fita métrica ou régua |
| (ii) Furadeira elétrica com brocas variadas | (vii) Chave inglesa (pequena) |
| (iii) Chave de fendas pequena | (viii) Pé de cabra e um martelo |
| (iv) Cortador | (ix) Selante à prova d'água (silicone) |
| (v) Chave de fendas do tipo Philip | (x) Vedação |
| | (xi) Etiqueta de Isolamento de segurança |
| | (xii) Braçadeira para cabo |

D Guia de Instalação

(i) Gira a aplicação para o lado (horizontal)

1º ETAPA

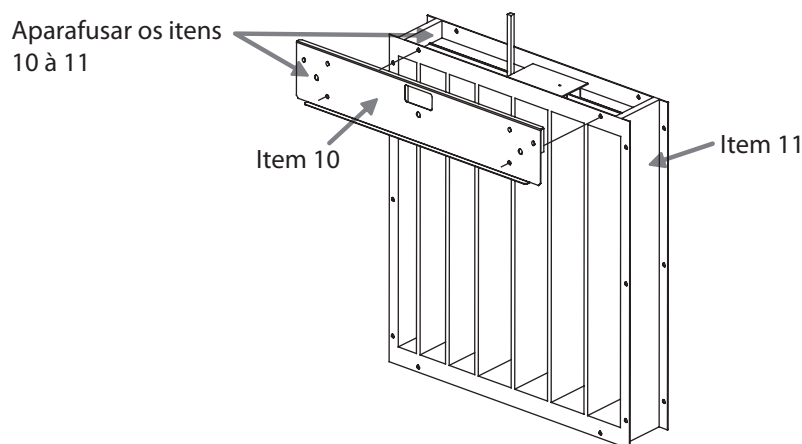
- Desligue a chave de força da unidade e instale a etiqueta de isolamento antes da instalação, comissionamento ou manutenção da unidade econômica. Prepare todas as ferramentas necessárias mencionadas acima.

2º ETAPA

- Retire o caixote de madeira do kit econômico utilizando o pé de cabra e um martelo. Em seguida, retire o plástico contendo as peças soltas e os parafusos usando um cortador. Faça a verificação de pré-instalação conforme mencionado acima.

3º ETAPA

- Encaixe o suporte, circulador de ar (item 10) para o circulador de ar (item 11) utilizando o parafuso M5x16 (item 13) fornecido no kit.



4º ETAPA

- Monte o atuador 1pc Belimo, LF24-SR (item 1) identificado como RA, para retornar o circulador de ar (item 11). Alinhe e insira o orifício do atuador ao eixo do amortecedor.



CUIDADO 1

A configuração padrão do circulador (item 11) deverá estar em totalmente aberta. Assegure-se de que o circulador esteja na posição “totalmente aberto” antes de montar o atuador. Falha em fazê-lo irá gerar erros durante a operação normal da unidade.

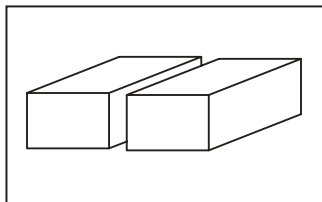


CUIDADO 2

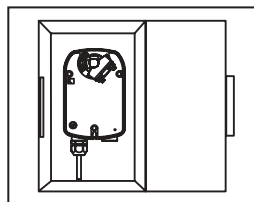
A superfície do atuador que é voltada para cima/externo deve ser rotulada com o símbolo “L” para garantir que a rotação da modulação se encontre na direção do relógio. Se deixar de fazê-lo irá causar erros durante a operação da unidade com a função econômica.

Nota

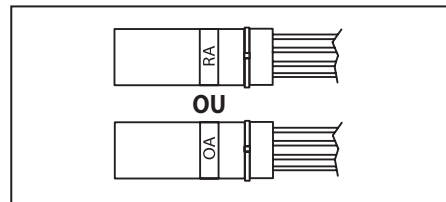
Há 2 peças de atuador Belimo, LF24-SR (item 1) no kit econômico que vêm nas caixas de papelão. Abra as caixas e identifique a etiqueta no fio. O atuador utilizado na etapa 4 é o que tem o rótulo 'RA'.



2 peças de item 1 na caixa de papelão.

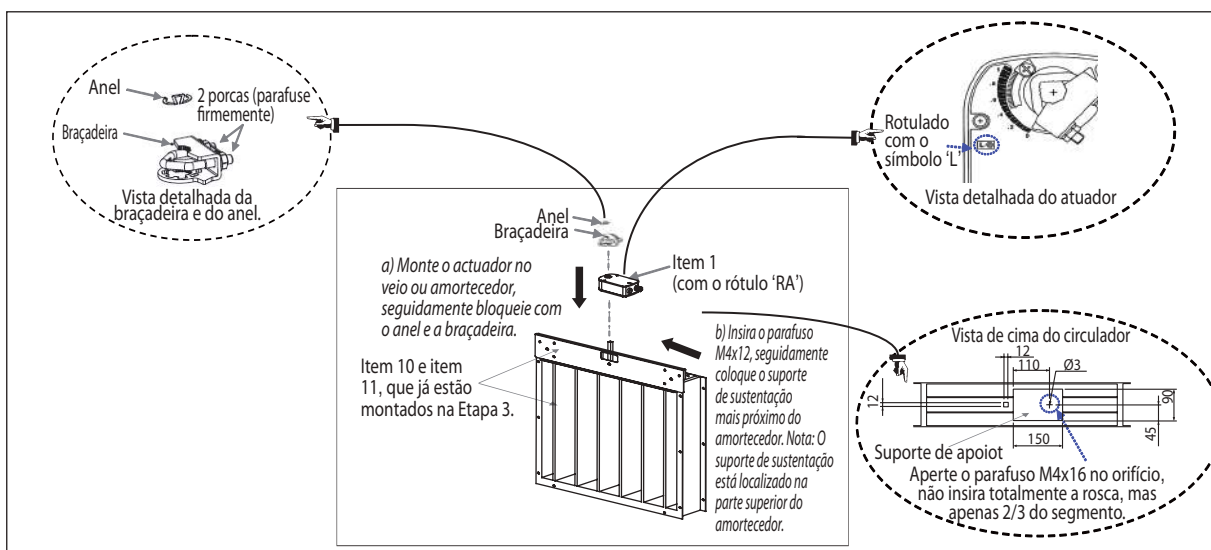


Abra a caixa.



Identifique o rótulo no fio. Um deles é indicado com 'RA', e o outro como 'OA'.

- Em seguida, aparafuse o 1pc M4x12 (item 14) no suporte de apoio do amortecedor. Não aperte totalmente o parafuso, mas somente até 2/3 da rosca do parafuso. Monte atuador no suporte, trazendo o suporte mais próximo do eixo do amortecedor. A função do parafuso M4x12 é o de impedir que o atuador escorregue durante a modulação.
- Em seguida, coloque a braçadeira no eixo e trave o atuador com o anel. Aperte as porcas da braçadeira firmemente utilizando a chave ajustável. Observe que as braçadeiras e os anéis vêm juntos com o atuador como as peças padrão, você poderá achar essas peças dentro da caixa.



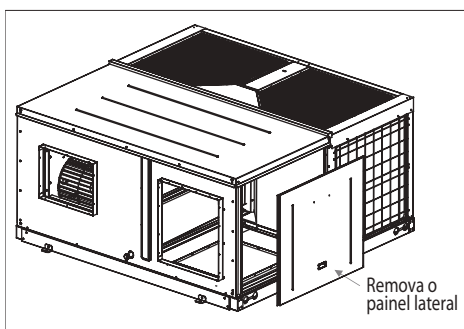
5º ETAPA

- Remova o painel lateral. Em seguida, retire as 4 peças de suporte de metal no painel frontal. Instale o circulador de ar (item 11) + o suporte de sustentação, amortecedor de circulação de ar (item 10) + o atuador Belimo, LF24-SR (item 1), que já estão montados na etapa 3 e etapa 4 no painel frontal da unidade utilizando os mesmos orifícios dos parafusos. Use o parafuso M5x16 (item 13) para fixação dos parafusos.



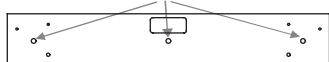
CUIDADO

Estenda o sensor de circulação de ar que está localizado no interior da unidade (na parte superior da abertura de ar) para a área externa da unidade. Isso poderá ser feito encaminhando o sensor através de pequenos orifícios no suporte de sustentação, amortecedor de circulação de ar (item 10). O sensor é, então, localizado corretamente dentro de circulação o cabo de ligação (alimentação de campo). Não o fazer pode afectar o desempenho da unidade e causar desconforto térmico para os utilizadores.

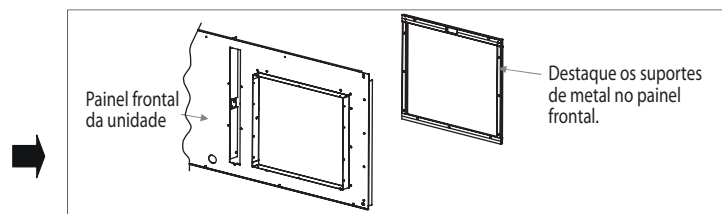


Remove o painel lateral

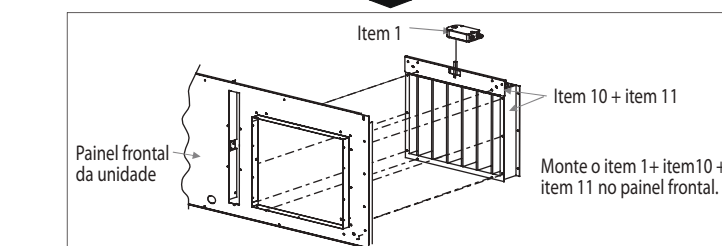
Use os três orifícios abaixo no item 10 para rotear o sensor de circulação de ar para o exterior da unidade.



Vista frontal do item 10



Destaque os suportes de metal no painel frontal.



Item 1

Item 10 + item 11

Monte o item 1+ item 10 + item 11 no painel frontal.

6º ETAPA

- Monte 1 peça do atuador Belimo, LF24-SR (item 1), identificado como "OA" ao painel lateral com o amortecedor exterior (item 2). Alinhe e insira o orifício do atuador ao eixo do amortecedor.



CUIDADO 1

A configuração padrão do amortecedor de ar exterior (item 2), deve estar completamente fechado. Certifique-se de que o amortecedor está na posição "completamente fechado" antes de montar o atuador. Falha nesta operação poderá causar erros durante a operação normal da unidade.

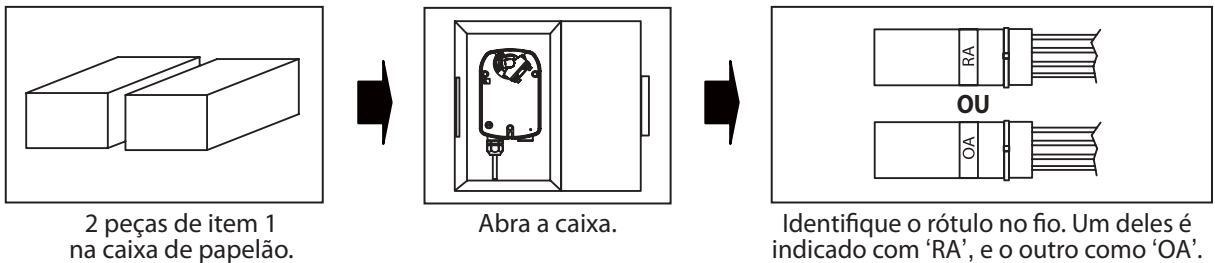


CUIDADO 2

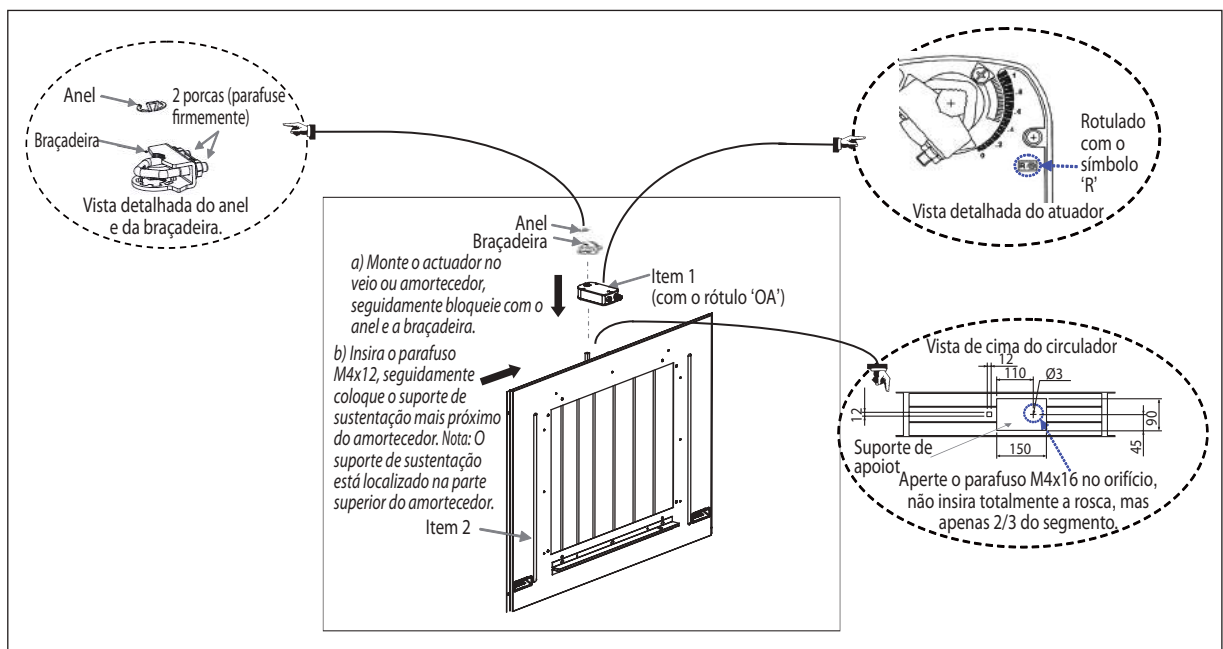
A superfície do atuador voltado para cima/externo deve estar rotulada com o símbolo 'R' para garantir a rotação da modulação do atuador na direção do relógio. Se deixar de fazê-lo irá causar erros durante a operação da unidade com a função econômica.

Nota

Há 2 peças de atuador Belimo, LF24-SR (item 1) no kit econômico que vêm nas caixas de papelão. Abra as caixas e identifique a etiqueta no fio. O atuador utilizado na etapa 6 é o que tem o rótulo "OA".



- Em seguida, aparafuse o 1pc M4x12 (item 14) no suporte de apoio do amortecedor. Não aperte totalmente o parafuso, mas somente até 2/3 da rosca do parafuso. Monte atuador no suporte, trazendo o suporte mais próximo do eixo do amortecedor. A função do parafuso M4x12 é o de impedir que o atuador escorregue durante a modulação.
- Em seguida, coloque a braçadeira no eixo e trave o atuador com o anel. Aperte as porcas da braçadeira firmemente utilizando a chave ajustável. Observe que as braçadeiras e os anéis vêm juntos com o atuador como as peças padrão, você poderá achar essas peças dentro da caixa.



7º ETAPA

- Ligue o atuador Belimo, LF24-SR (item 1) com o rótulo 'RA', que agora está localizado na montagem do amortecedor no painel frontal para bloquear o terminal com o rótulo 'RA' dentro da caixa de junção.
- Existem quatro fios no atuador com cores diferentes (preto, vermelho, verde e branco). Ligue os fios conforme abaixo:

- Fio de cor preta - ligue ao primeiro pólo do bloco de terminais com o selo "GND".
- Fio vermelho - conecte-o ao segundo pólo do bloco de terminais com o selo "+24V".
- Fio verde - conecte-o ao terceiro pólo do bloco de terminais com o selo "DCV".
- Fio branco - conecte-o ao quarto pólo de terminais com o rótulo "FB".

(Você poderá localizar o diagrama da fiação que se encontra na tampa frontal da caixa de junção.)

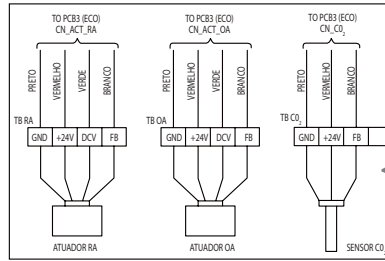


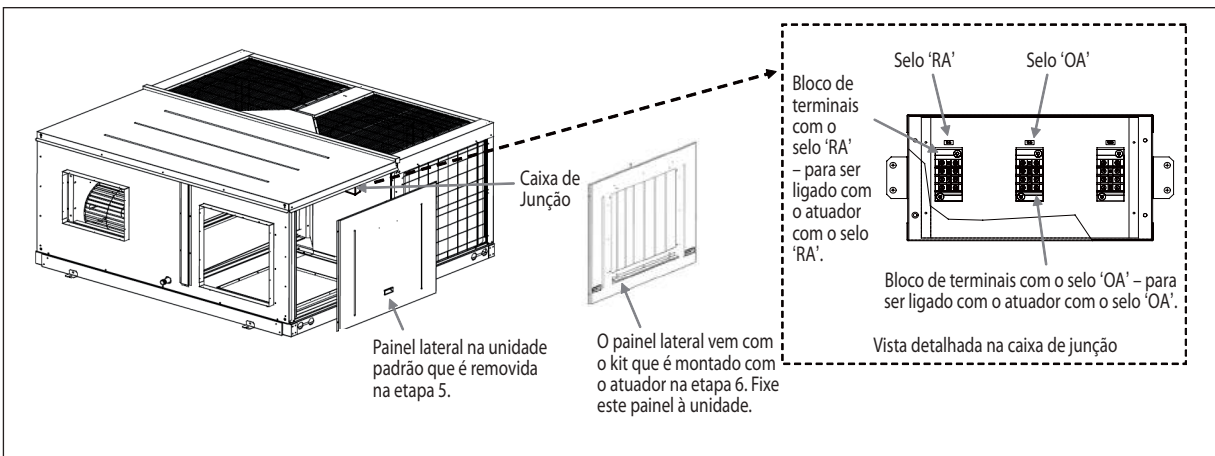
Diagrama de fiação na tampa frontal da caixa de junção.



CUIDADO

A conexão errada dos cabos poderá causar o mau funcionamento do actuador ou do controlo economizador, ou mesmo dos dois. Ligue os fios com abraçadeiras sob a caixa de junção.

- Ligue o atuador Belimo, LF24-SR (item 1) com o selo 'OA', que agora está localizado na montagem do amortecedor no painel lateral com o selo 'OA' dentro da mesma caixa de junção. Siga as mesmas instruções de conexão de fiação entre o atuador "RA" e o bloco do terminal 'RA'. Em seguida, coloque o painel à unidade. Você terá de executar uma boa disposição dos fios do atuador utilizando abraçadeiras (abastecimento de campo) antes de colocar o painel lateral à unidade.



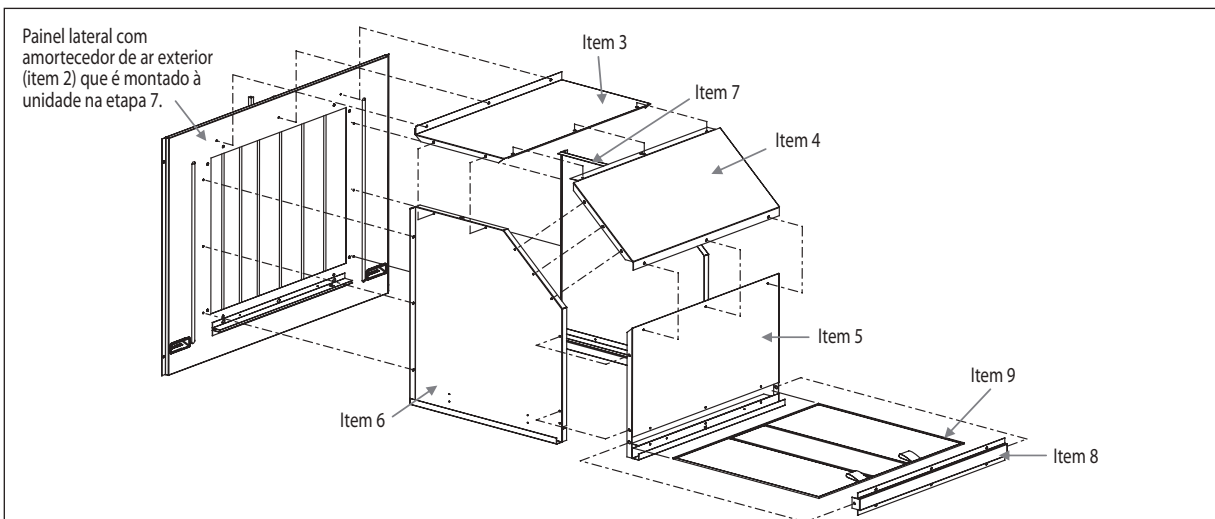
8º ETAPA

- Para montar a cobertura de chuva, instale as peças soltas (partes de metal) ao painel lateral. Antes disso, coloque a vedação (abastecimento de campo) no painel lateral para fixação.
- Seguidamente, siga a sequência de instalação abaixo para construir a capa de chuva:

Modelo : UATYQ 250, 350, 450, 550, 600, 700

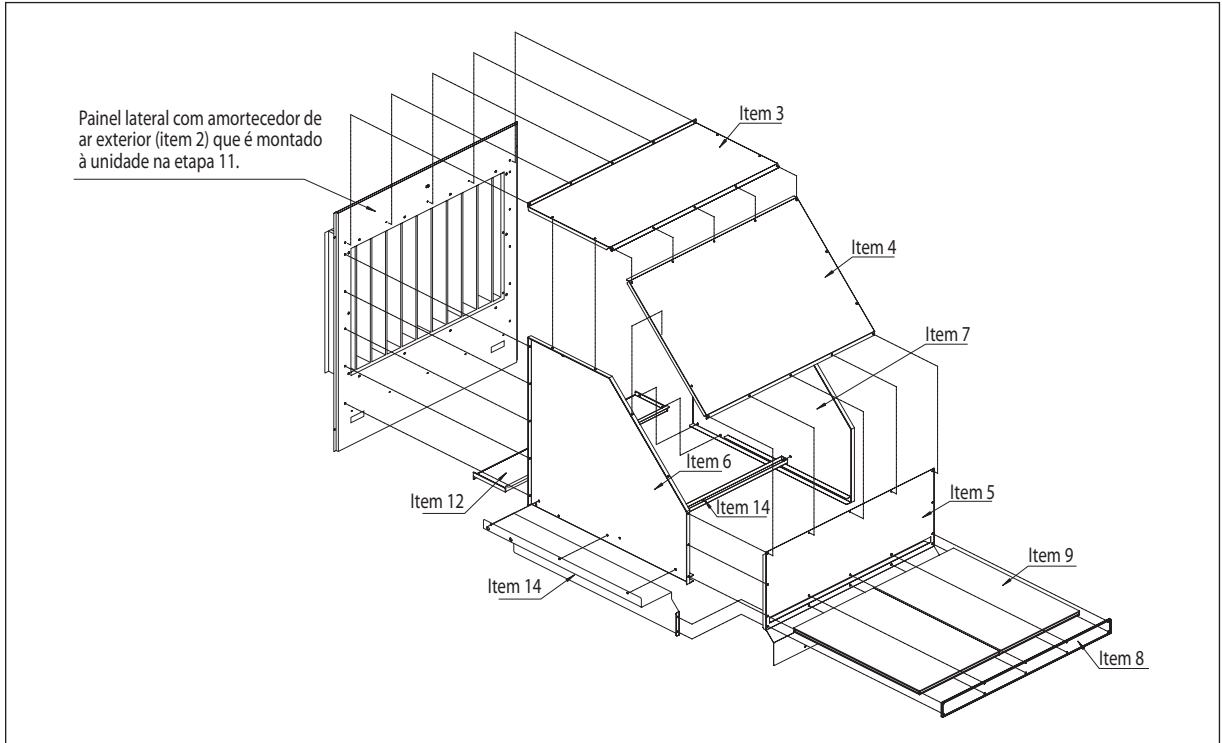
Parafusos

Item 2 ----->Item 6 ----->Item 7 ----->Item 3 ----->Item 4 ----->Item 5 ----->Item 9 ----->Item 8 ----->Selante



Modelo : UATYQ 900

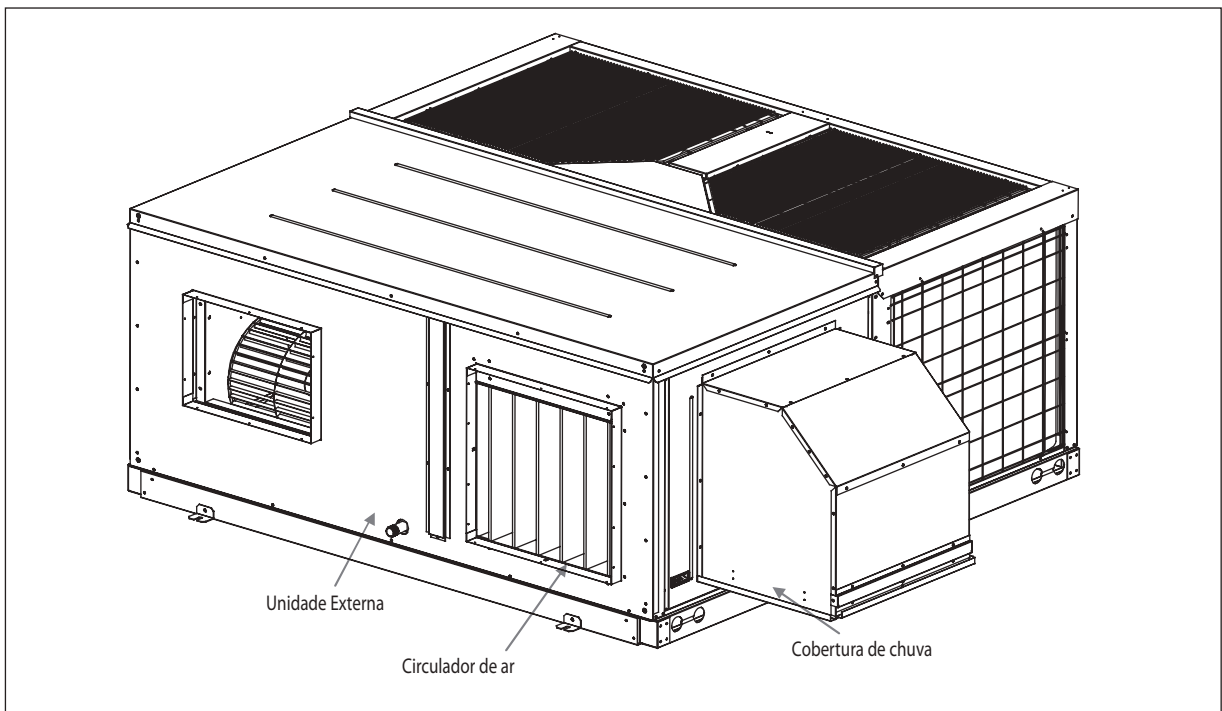
Parafusos
Item 2 -----> Item 6 -----> Item 7 -----> Item 12 -----> Item 14 -----> Item 5 -----> Item 4 -----> Item 3 -----> Item 13 -----> Item 9 -----> Item 8 -----> Selante



- É recomendado vedar todas as juntas e aberturas com selantes à prova de agentes climáticos (tais como silicone, ou um item fornecido) a fim de garantir um acabamento à prova de água na capa de chuva.

9º ETAPA

- Finalmente, você poderá ver a unidade com o kit econômico mostrado no diagrama abaixo:



Nota

A unidade mostrada nos diagramas da etapa 1 à etapa 9 são UATYQ350. Outros modelos deverão seguir o mesmo método.
A unidade mostrada nos diagramas da etapa 1 à etapa 10 são UATYQ900. Outros modelos deverão seguir o mesmo método.

(ii) Aplicação de abaixamento (vertical)

1º ETAPA

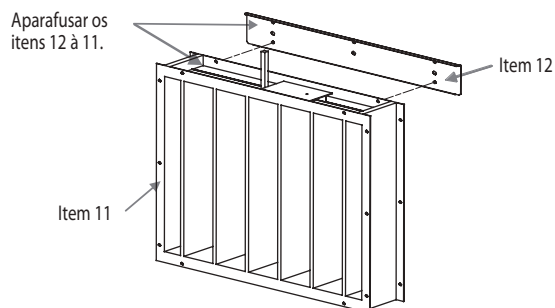
- Desligue a fonte de alimentação da unidade e instale a etiqueta de bloqueio de segurança antes da instalação, comissionamento ou manutenção da unidade econômica. Prepare todas as ferramentas necessárias mencionadas acima.

2º ETAPA

- Retire o caixote de madeira do kit econômico utilizando o pé de cabra e um martelo. Em seguida, retire o plástico contendo as peças soltas e os parafusos usando um cortador. Faça a verificação de pré-instalação conforme mencionado acima.

3º ETAPA

- Encaixe o suporte de apoio, unidade de deslocamento (item 12) para retornar o amortecedor de ar (item 11) utilizando o parafuso M5x16 (item 13) fornecido no kit.



Nota

Suporte de apoio, com ângulo descendente (item 12) não se encontra disponível no modelo ECONO 700 & 900. Ignore o passo 3 e passe para o passo 4 para instalar o kit economizador para este modelo.

4º ETAPA

- Monte o atuador 1pc Belimo, LF24-SR (item 1) para retornar o circulador de ar (item 11). Alinhe e insira o orifício do atuador ao eixo do amortecedor.



CUIDADO 1

A configuração padrão do circulador (item 11) deverá estar em totalmente aberta. Assegure-se de que o circulador esteja na posição "totalmente aberto" antes de montar o atuador. Falha em fazê-lo irá gerar erros durante a operação normal da unidade.

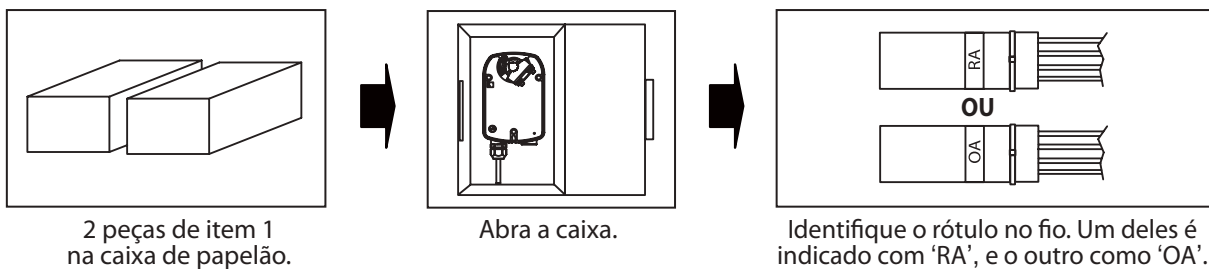


CUIDADO 2

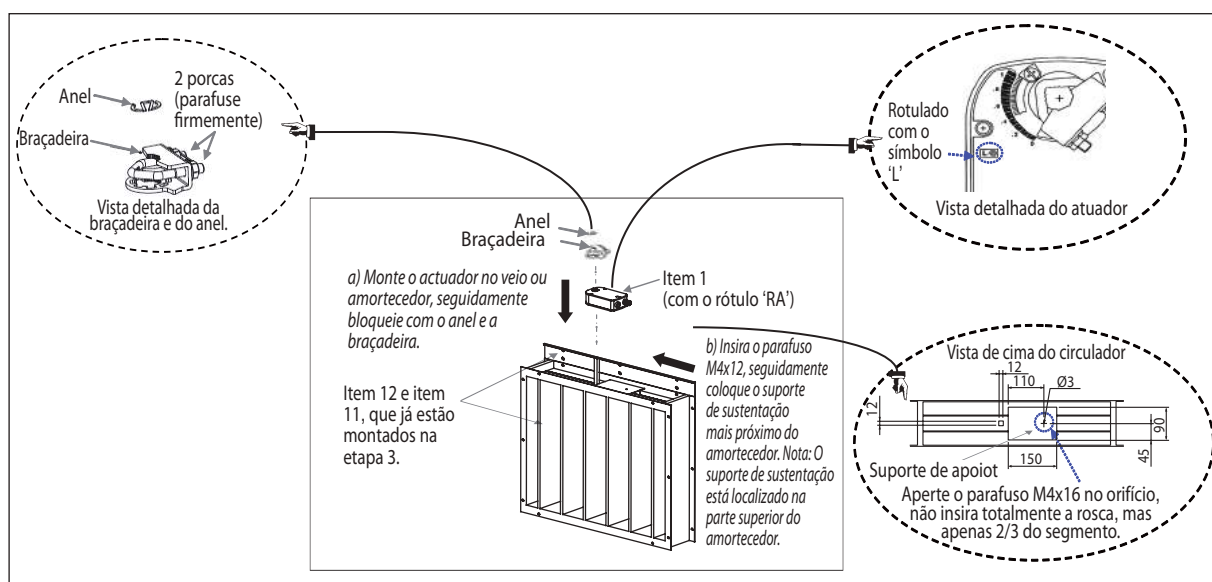
A superfície do atuador que é voltada para cima/externo deve ser rotulada com o símbolo 'L' para garantir que a rotação da modulação se encontre na direção do relógio. Se deixar de fazê-lo irá causar erros durante a operação da unidade com a função econômica.

Nota

Há 2 peças de atuador Belimo, LF24-SR (item 1) no kit econômico que vêm nas caixas de papelão. Abra as caixas e identifique a etiqueta no fio. O atuador utilizado na etapa 4 é o que tem o rótulo 'RA'.



- Em seguida, aparafuse o 1pc M4x12 (item 14) no suporte de apoio do amortecedor. Não aperte totalmente o parafuso, mas somente até 2/3 da rosca do parafuso. Monte atuador no suporte, trazendo o suporte mais próximo do eixo do amortecedor. A função do parafuso M4x12 é o de impedir que o atuador escorregue durante a modulação.
- Em seguida, coloque a braçadeira no eixo e trave o atuador com o anel. Aperte as porcas da braçadeira firmemente utilizando a chave ajustável. Observe que as braçadeiras e os anéis vêm juntos com o atuador como as peças padrão, você poderá achar essas peças dentro da caixa.



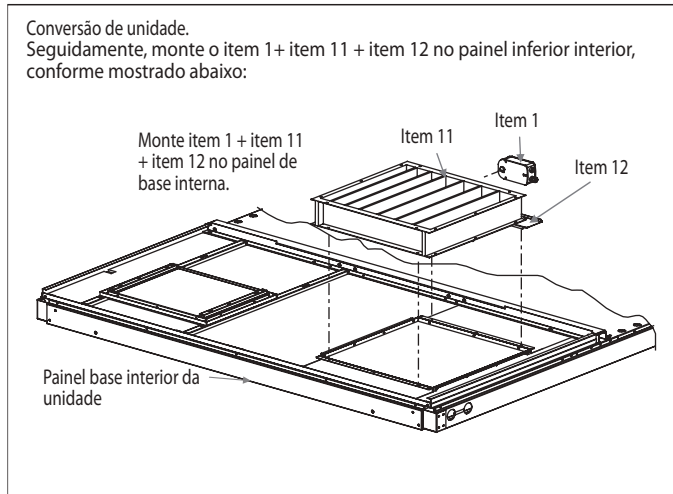
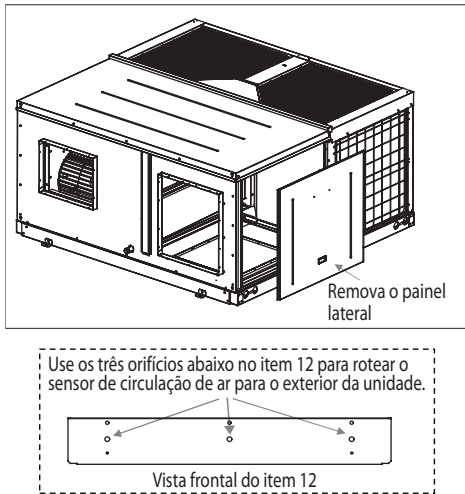
5ª ETAPA

- Remova o painel lateral. Conduza a conversão da unidade padrão para unidade de deslocamento, seguindo os passos indicados no item (G) no capítulo 'INSTALAÇÃO DA UNIDADE' neste manual.
- Em seguida, instale o amortecedor de circulação de ar (item 11) + suporte de sustentação, unidade de deslocamento (item 12) + atuador Belimo, LF24-SR (item 1), que já estão montados na etapa 3 e 4 no painel base interior da unidade utilizando o parafuso M5X16 (item 13).



CUIDADO

Estenda o sensor de circulação de ar que está localizado no interior da unidade (na parte superior da abertura de ar) para a área externa da unidade. Isto pode ser feito encaminhando o sensor através dos pequenos orifícios do suporte de sustentação, unidade de deslocamento (item 12). O sensor é, então, colocado corretamente dentro do duto de circulação de ar utilizando os cabos de alimentação (alimentação de campo). Não o fazer pode afectar o desempenho da unidade e causar desconforto térmico para os utilizadores. No caso dos modelos ECON0700 e UATYQ700, o encaminhamento do sensor pode ser efectuado através do pequeno orifício na flange metálica da abertura do ar de retorno com ângulo descendente.



6º ETAPA

- Monte 1 peça do atuador Belimo, LF24-SR (item 1) ao painel lateral com o amortecedor exterior (item 2). Alinhe e insira o orifício do atuador ao eixo do amortecedor.



CUIDADO 1

A configuração padrão do amortecedor de ar exterior (item 2), deve estar completamente fechado. Certifique-se de que o amortecedor está na posição "completamente fechado" antes de montar o atuador. Falha em fazê-lo irá gerar erros durante a operação normal da unidade.

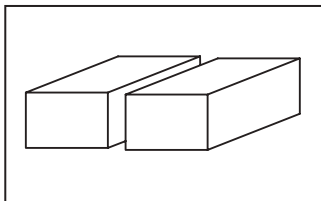


CUIDADO 2

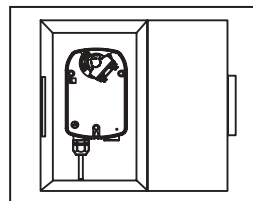
A superfície do atuador voltado para cima/externo deve estar rotulada com o símbolo 'R' para garantir a rotação da modulação do atuador na direção do relógio. Se deixar de fazê-lo irá causar erros durante a operação da unidade com a função econômica.

Nota

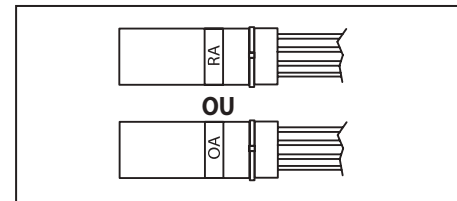
Há 2 peças de atuador Belimo, LF24-SR (item 1) no kit econômico que vêm nas caixas de papelão. Abra as caixas e identifique a etiqueta no fio. O atuador utilizado na etapa 6 é o que tem o rótulo 'OA'.



2 peças de item 1 na caixa de papelão.

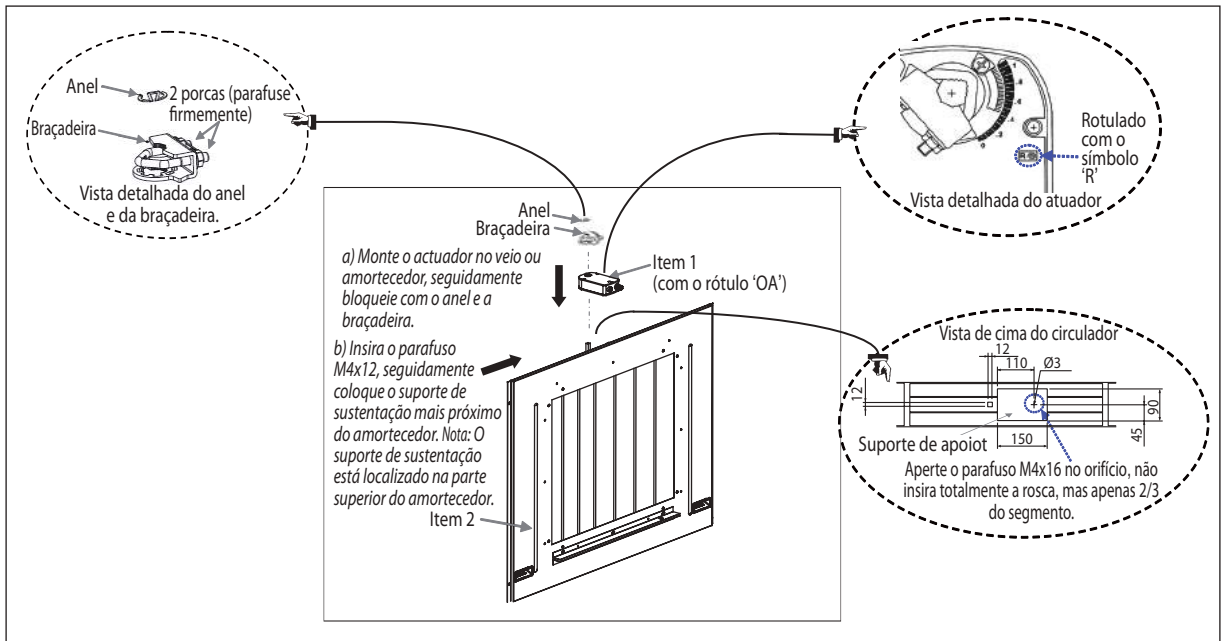


Abra a caixa.



Identifique o rótulo no fio. Um deles é indicado com 'RA', e o outro como 'OA'.

- Em seguida, aparafuse o 1pc M4x12 (item 14) no suporte de apoio do amortecedor. Não aperte totalmente o parafuso, mas somente até 2/3 da rosca do parafuso. Monte atuador no suporte, trazendo o suporte mais próximo do eixo do amortecedor. A função do parafuso M4x12 é o de impedir que o atuador escorregue durante a modulação.
- Em seguida, coloque a braçadeira no eixo e trave o atuador com o anel. Aperte as porcas da braçadeira firmemente utilizando a chave ajustável. Observe que as braçadeiras e os anéis vêm juntos com o atuador como as peças padrão, você poderá achar essas peças dentro da caixa.



7ª ETAPA

- Ligue o actuador Belimo, LF24-SR (item 1) com o rótulo "RA", que agora está localizado na montagem do amortecedor no painel inferior interior para bloquear o terminal com o rótulo "RA" dentro da caixa de junção.
- Existem quatro fios no actuador com cores diferentes (preto, vermelho, verde e branco). Ligue os fios conforme abaixo:

- Fio de cor preta - ligue ao primeiro pólo do bloco de terminais com o selo "GND".
- Fio vermelho - conecte-o ao segundo pólo do bloco de terminais com o selo '+24V'.
- Fio verde - conecte-o ao terceiro pólo do bloco de terminais com o selo "DCV".
- Fio branco - conecte-o ao quarto pólo de terminais com o rótulo "FB".

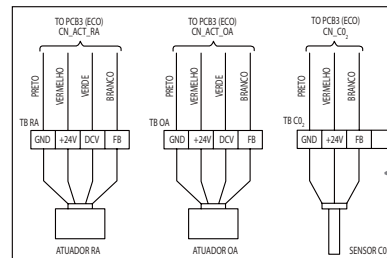


Diagrama de fiação na tampa frontal da caixa de junção.

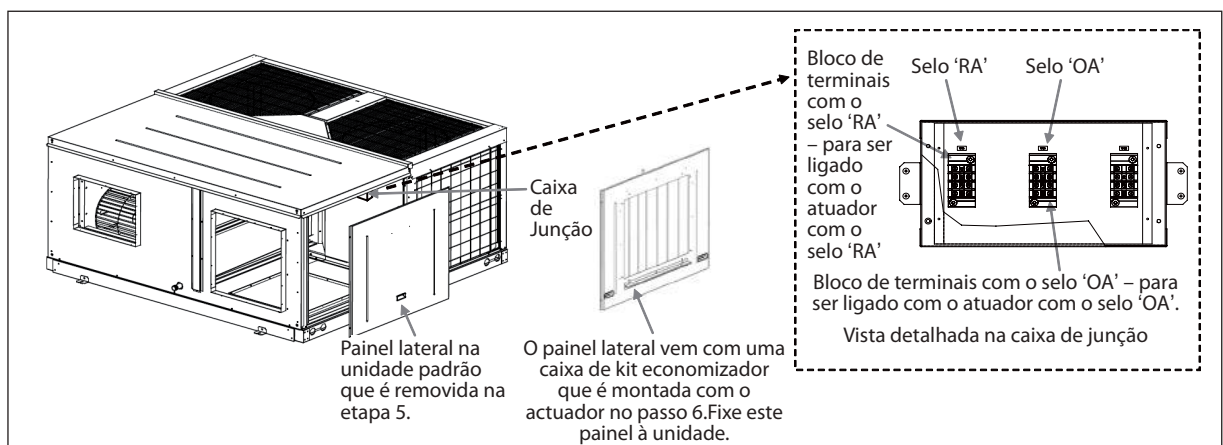
(Você poderá localizar o diagrama da fiação que se encontra na tampa frontal da caixa de junção.)



CUIDADO

A conexão errada dos cabos poderá causar o mau funcionamento do actuador ou do controlo economizador, ou mesmo dos dois. Ligue os fios com braçadeiras sob a caixa de junção.

- Ligue o actuador Belimo, LF24-SR (item 1) com o selo 'OA', que agora está localizado na montagem do amortecedor no painel lateral com o selo 'AO' dentro da mesma caixa de junção. Siga as mesmas instruções de conexão de fiação entre o actuador "RA" e o bloco do terminal 'RA'. Em seguida, coloque o painel à unidade. Você terá de executar uma boa disposição dos fios do actuador utilizando abraçadeiras (abastecimento de campo) antes de colocar o painel lateral à unidade.

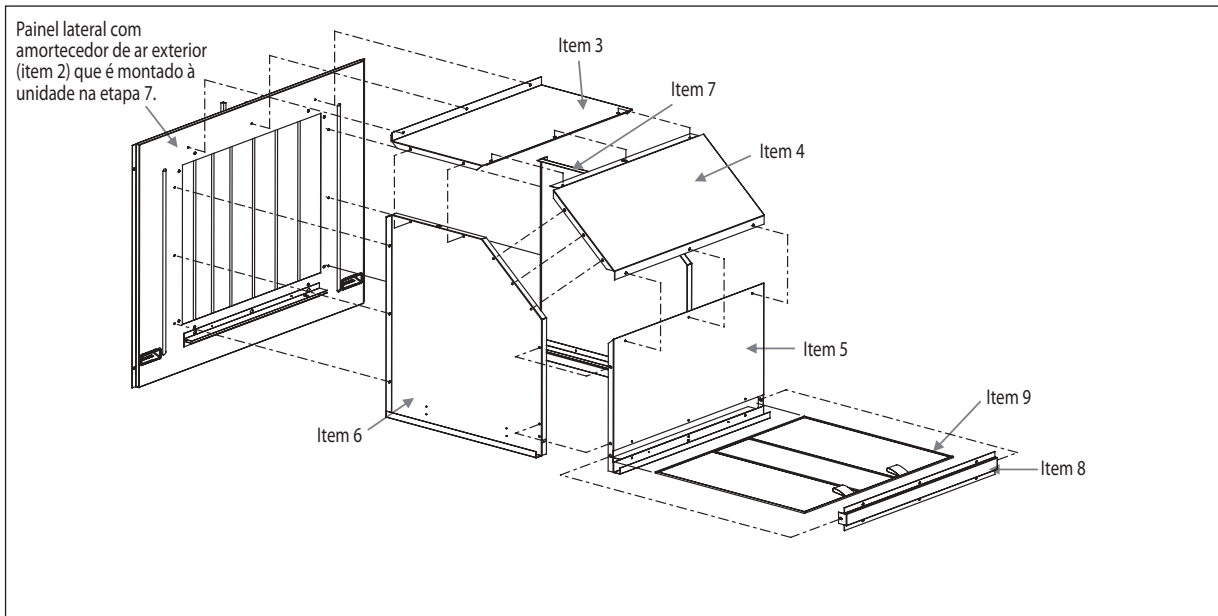


8º ETAPA

- Para montar a cobertura de chuva, instale as peças soltas (partes de metal) ao painel lateral. Antes disso, coloque a vedação (abastecimento de campo) no painel lateral para fixação.
- Seguidamente, siga a sequência de instalação abaixo para construir a capa de chuva:

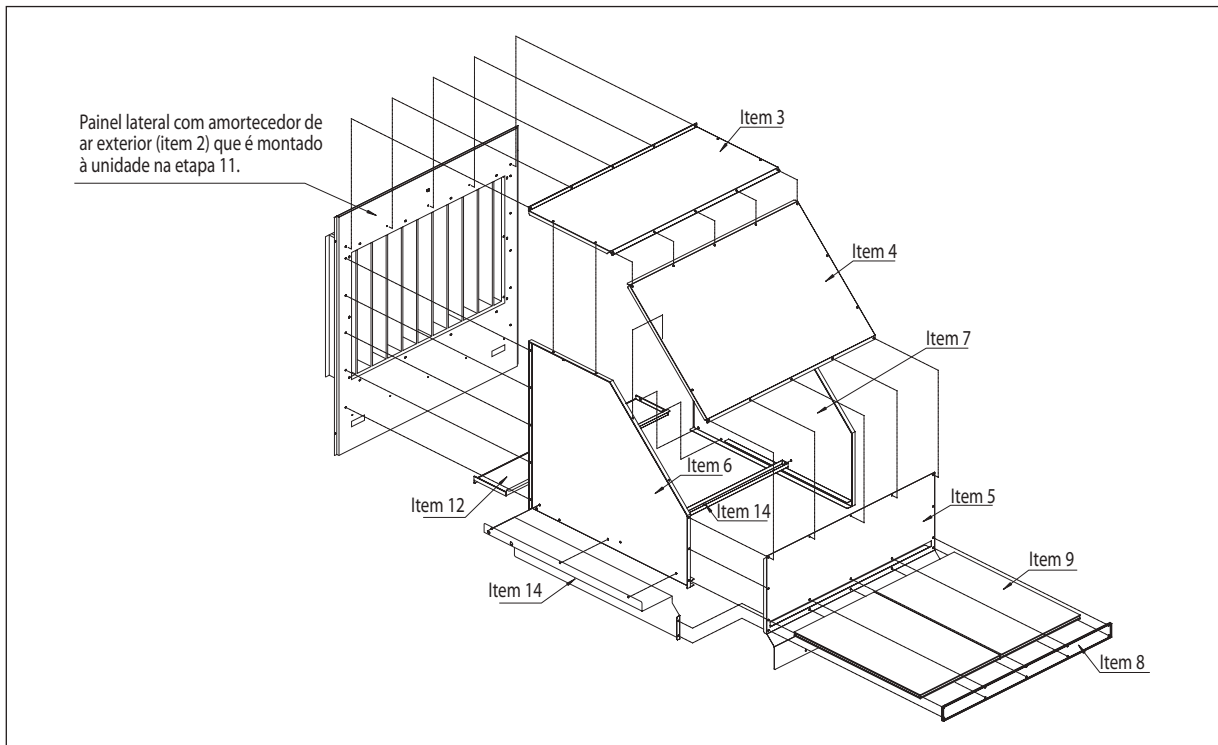
Modelo : UATYQ 250, 350, 450, 550, 600, 700

Parafusos
Item 2 -----> Item 6 -----> Item 7 -----> Item 3 -----> Item 4 -----> Item 5 -----> Item 9 -----> Item 8 -----> Selante



Modelo : UATYQ 900

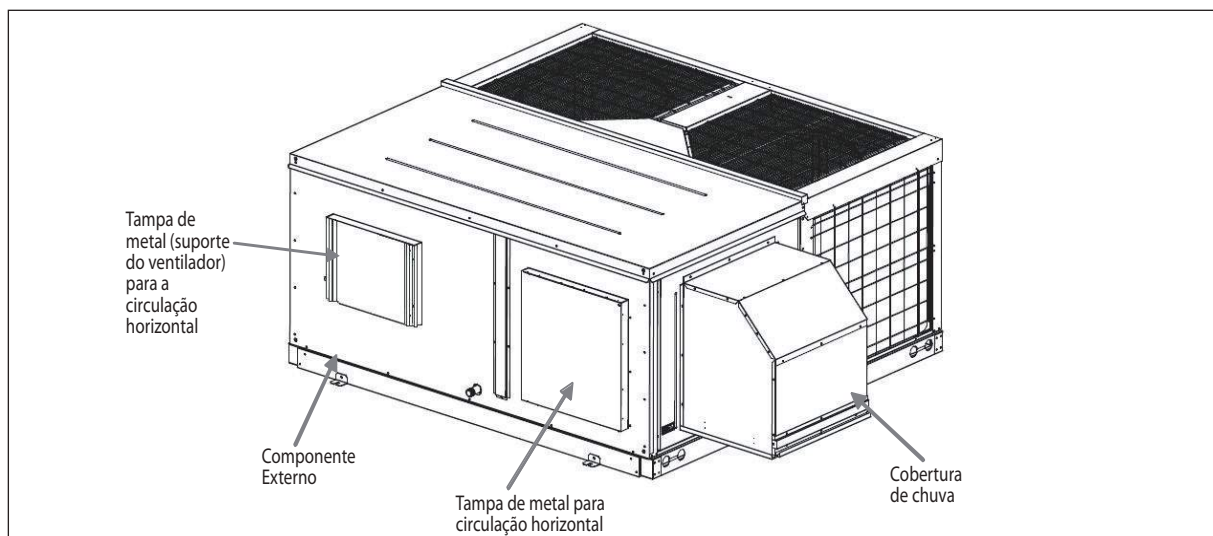
Parafusos
Item 2 -----> Item 6 -----> Item 7 -----> Item 12 -----> Item 14 -----> Item 5 -----> Item 4 -----> Item 3 -----> Item 13 -----> Item 9 -----> Item 8 -----> Selante



- É recomendado vedar todas as juntas e aberturas com selantes à prova de agentes climáticos (tais como silicone, ou um item fornecido) a fim de garantir um acabamento à prova de água na capa de chuva.

9º ETAPA & 10º ETAPA (apenas aplicáveis à UATYQ900).

- Finalmente, você poderá ver a unidade com o kit econômico mostrado no diagrama abaixo:
- Quando uma trava para o telhado é necessário para a aplicação da unidade de deslocamento, consulte a recomendação na parte (C) no capítulo 'INSTALAÇÃO DA UNIDADE' neste manual.



Nota

A unidade mostrada nos diagramas da etapa 1 à etapa 9 são UATYQ350. Outros modelos deverão seguir o mesmo método.

A unidade mostrada nos diagramas da etapa 1 à etapa 10 são UATYQ900. Outros modelos deverão seguir o mesmo método.

E Comissionamento

(i) Resistência ao Fluxo de Ar

A resistência ao fluxo de ar refere-se à queda de pressão causada pelo kit econômico. Antes da instalação, recomenda-se consultar a tabela de queda de pressão que é fornecida no Livro de Informações de Engenharia, a fim de se fazer a seleção correta.

(ii) Ajuste de Performance

O desempenho da unidade diminuirá quando a unidade trabalhar no modo de ar fresco, dependendo da seleção do utilizador. Antes da instalação, recomenda-se consultar a tabela de fator de correção que é fornecida no Livro de Dados de Engenharia, a fim de se fazer a seleção correta.

(iii) Seleção de Modo

Geralmente, o kit oferece duas seleções de modo, que são o modo econômico e o Modo Ventilação de Ar Fresco.

- Modo econômico: Fornece um resfriamento 'refrescante', Pode utilizar-se sozinho ou em conjunto com a refrigeração mecânica.
- Modo Ventilação de Ar Fresco: Fornece ar fresco mínimo necessário para a ventilação ou as exigências locais.

Nota

Consulte o guia de configuração do equipamento fornecido na etapa (D) (v), no capítulo 'GUIA DE OPERAÇÃO DE CONTROLE' neste manual para seleção de modo.

(iv) Seleção de Ventilação

O kit fornece uma seleção de ar fresco de 0~25% para refrigerar ou aquecer. Embora o modo econômico & o ventilador possam fornecer o máximo de 85% de circulação de ar fresco.

Nota

Consulte o guia de configuração do equipamento fornecido na etapa (D) (v), no capítulo 'GUIA DE CONTROLE DE OPERAÇÃO' neste manual para selecionar ventilação.

(v) Recurso de Proteção de Excesso de Refrigeração

O desconforto térmico pode ocorrer durante o ambiente fresco devido à abertura de ar no amortecedor externo. Esta situação poderá ser evitada quando o recurso de proteção de Excesso de Refrigeração for ativado.

Nota

Consulte o guia de configuração do equipamento fornecido na parte (D) (v), no capítulo 'GUIA DE OPERAÇÃO DE CONTROLE' para a activação da configuração de protecção de excesso de refrigeração.

(vi) Extensão de Operações

A variedade de operações aplicáveis à unidade com o recurso econômico é a mesma da unidade normal. Consulte o capítulo 'VARIEDADE DE OPERAÇÕES' neste manual.

Entretanto, a restrição da abertura de ar fresco poderá ocorrer em ambiente alto ou baixo, a fim de garantir a confiabilidade da unidade. Consulte o Livro de Dados de Engenharia para mais informações.



CUIDADO

A performance será reduzida em ambientes altos ou baixos, consulte o item (E)(ii).

(vii) Filtro de Ar Opcional

Existe uma abertura para um filtro de 2" dentro da unidade. Recomenda-se o uso de um filtro adicional, pois uma segunda camada de filtragem é necessária, pois, a abertura do amortecedor de ar externo poderá trazer pó e sujeira.

F Serviço e Manutenção

(i) Manutenção do Filtro

O impedimento ao fluxo de ar pode aumentar quando o filtro fica sujo. Assim, limpe o filtro regularmente pelo menos a cada duas semanas. O filtro de ar na cobertura de chuva que fica exposto ao ar livre poderá ser danificado por insetos ou animais. Substitua o filtro quando for danificado.

(ii) Manutenção do compartimento interno.

A abertura externa do amortecedor de ar poderá ainda acumular poeira, pois, o filtro exaustor não poderá filtrar completamente as partículas de sujeira. Assim, o compartimento interno deverá ser limpo juntamente com a manutenção do filtro.

(iii) Manutenção do Amortecedor

Limpe o amortecedor sujo, especialmente o amortecedor de ar externo, que fica exposto ao ambiente externo o tempo todo.

Nota

Consulte o capítulo 'SERVIÇO E MANUTENÇÃO' neste manual.

G Questões no Controle de Ventilação

- Uma técnica na redução de consumo de energia, enquanto mantém a qualidade do ar adequada são as questões do controle na ventilação. Em vez de definir um ritmo fixo de substituição de ar, o sensor de dióxido de carbono (sensor CO₂) é usado para controlar a taxa dinamicamente, com base nas emissões de ocupantes do edifício.
- O sensor de CO₂ é um componente opcional. Consulte as informações abaixo sobre as recomendações da seleção do sensor de CO₂.
 - (i) Tipo: Acoplado no Duto
 - (ii) Entrada de energia: 24 VDC, 50 Hz
 - (iii) Média de Temperatura de Funcionamento: 0 ~ 52°C
 - (iv) Média de Temperatura Ambiente: -15 ~ 52°C
 - (v) Escala de Medição: 0 ~ 5000 PPM (depende da aplicação)
 - (vi) Tensão de saída: 2 ~ 10 VDC
 - (vii) Tamanho do fio: AWG18
 - (viii) Máximo de corrente permitida: 7A
 - (ix) Conformidade Padrão: Siga os regulamentos nacionais e locais
- O controle econômico vem com um software que já está pronto com a integração do sensor CO₂. Já vem ativado somente no modo econômico. É permitido ao usuário escolher a seleção através da chave Dip 3. Consulte o guia de configuração do equipamento na etapa (D) (v), no capítulo "GUIA DE CONTROLE DE OPERAÇÃO" neste manual para seleção de valores dos níveis de CO₂ PPM.

Por exemplo: para usar um sensor de medição CO₂ com a média de 0 ~ 5000 PPM com o valor limiar de 1250PPM, o usuário precisa dos seguintes passos: -

- 1º Etapa: Ative SW4 na única chave Dip no quadro de controle principal para a posição ON (a configuração de fábrica vem na posição OFF).
- 2º Etapa: Ative o parâmetro G6 do painel (controle econômico) em controle remoto para posição '1', (ON). O ajuste padrão de fábrica vem na posição '0' (OFF).
- 3º Etapa: Certifique-se que a chave Dip 4 (quadro de controle econômico) esteja na posição OFF (o ajuste padrão de fábrica vem na posição OFF).
- 4º Etapa: Ative o SW1 na Chave Dip 3 (Quadro de controlador econômico) para posição ON (O ajuste padrão de fábrica vem na posição OFF).
{SW1 na Chave Dip 3 = 25%, por meio de cálculo significa 25% de 5000 PPM ou equivalente a 1250 PPM}.

- Se o sensor de CO₂ for exposto ao ambiente exterior, tape o sensor com uma caixa à prova de salpicos (IPX4) com um parafuso como mecanismo de bloqueio ou método semelhante para impedir a entrada de água no sensor de CO₂ e também para evitar um possível contacto com o sensor. A ligação do sensor de CO₂ é considerada uma peça **CÓM CORRENTE ELÉCTRICA ACTIVA**.
- Em seguida, conecte o cabo do sensor CO₂ à caixa de junção no compartimento interno da unidade. Existem três fios de sensor CO₂. Ligue os fios conforme abaixo:

Sistema de fio terra – conecte-o ao primeiro pólo do terminal com o rótulo 'GND'.

+ fio ativo 24VDC – conecte-o ao segundo pólo do terminal com o rótulo '+24V'.

Saída/Fio de alimentação de sinal – conecte ao terceiro pólo do terminal com o rótulo 'FB'.

(Você poderá localizar o diagrama da fiação que se encontra na tampa frontal da caixa de junção.)

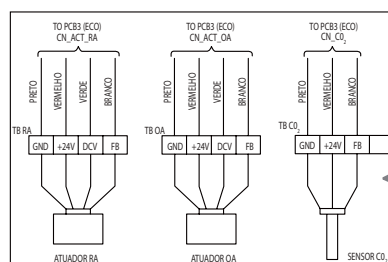
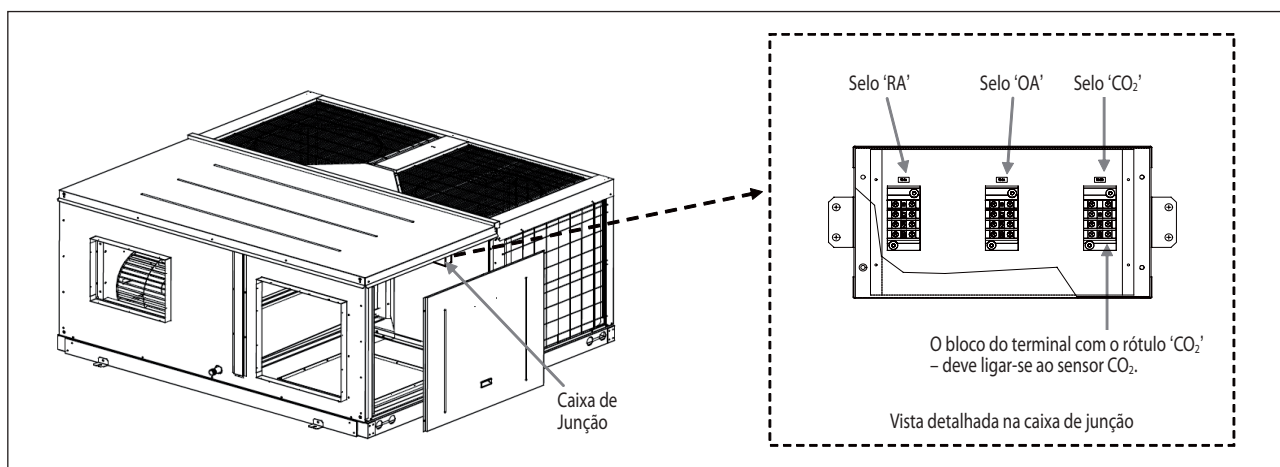


Diagrama de fiação na tampa frontal da caixa de junção.



CUIDADO

A conexão dos cabos errado poderá causar o mau funcionamento do sensor CO₂ ou do controle economizador, ou mesmo dos dois. Ligue os fios com braçadeiras sob a caixa de junção.



(i) Limitação do Kit econômico no Controle Termostato

O controle de termostato é usado com um terceiro controle e, portanto, o ajuste de temperatura da aplicação específica, pode não ser conhecido. Neste caso, é recomendado o uso do controle remoto para ajustar a configuração de temperatura antes que a configuração do equipamento para o controle do termostato seja conduzida.

Nota

Consulte o guia de configuração do equipamento fornecido na etapa (D) (v), no capítulo 'GUIA DE OPERAÇÃO DE CONTROLE' neste manual para seleção de modo.

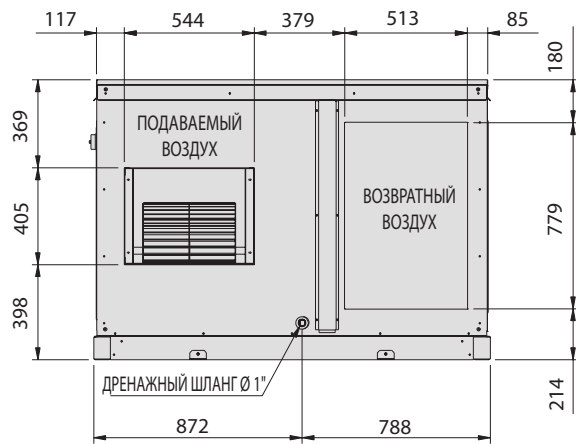
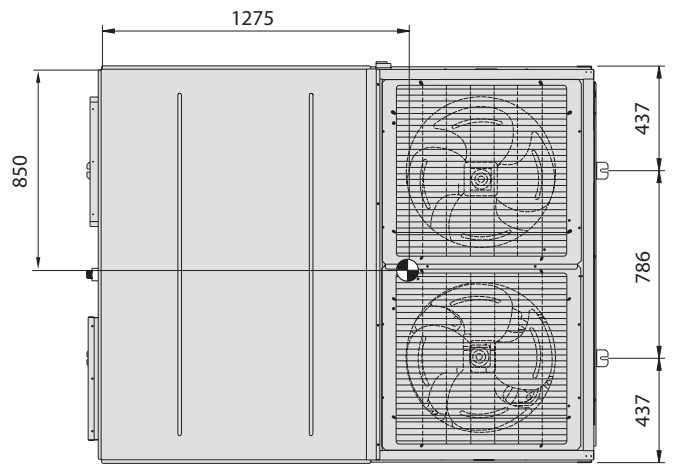
(ii) Necessário para Alívio de Pressão

A presença de ar fresco pode causar uma pressão maior no ambiente e desconforto aos usuários. Quando necessário, recomendase instalar uma válvula de alívio de pressão no duto de ventilação.

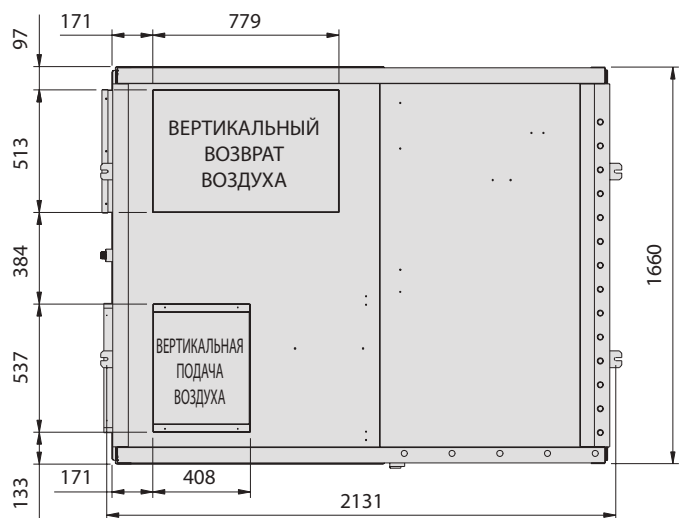
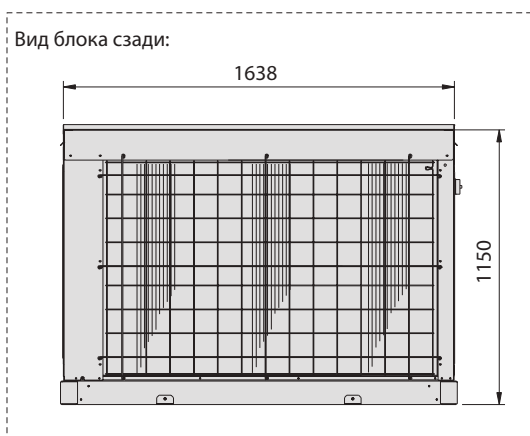
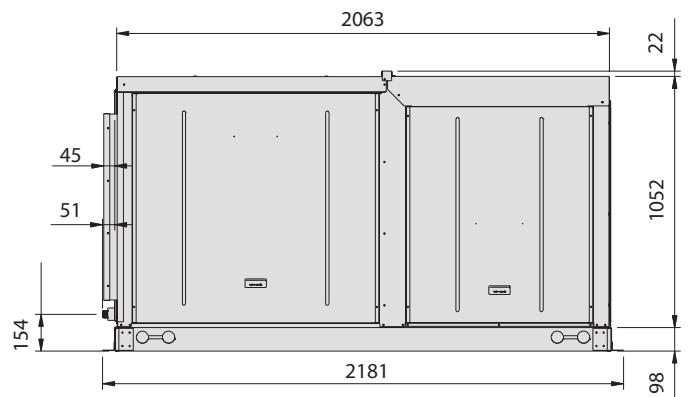
СХЕМА И РАЗМЕРЫ

Модель: UATYQ250

Все размеры указаны в мм



ДЛЯ ГОРИЗОНТАЛЬНОГО ВЫПУСКА



ДЛЯ ВЕРТИКАЛЬНОГО ВЫПУСКА

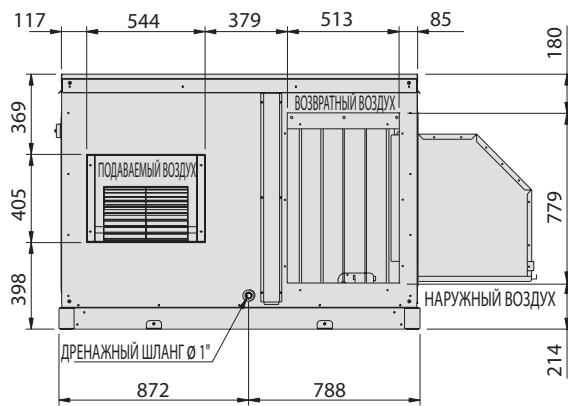


РУССКИЙ

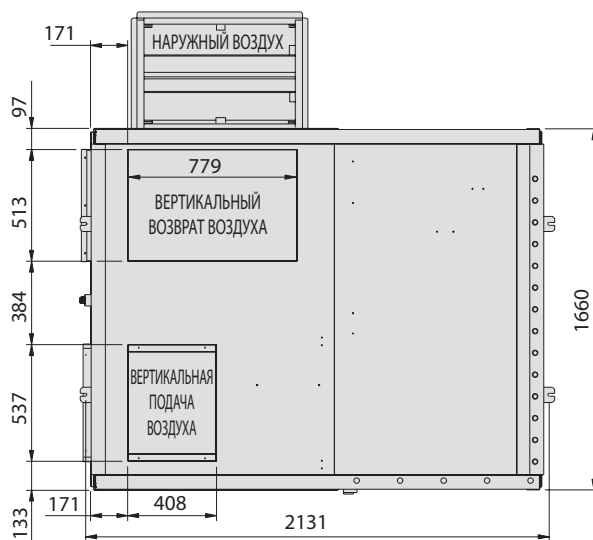
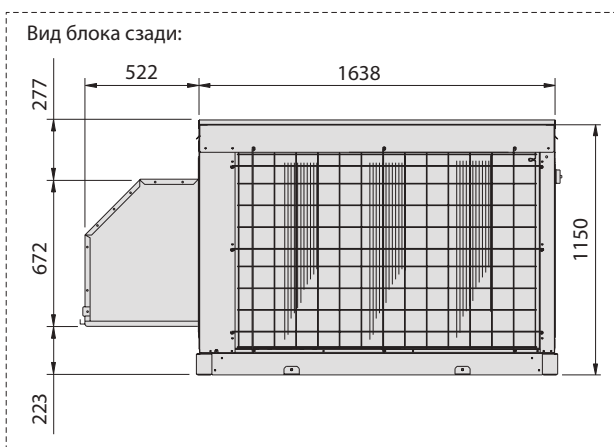
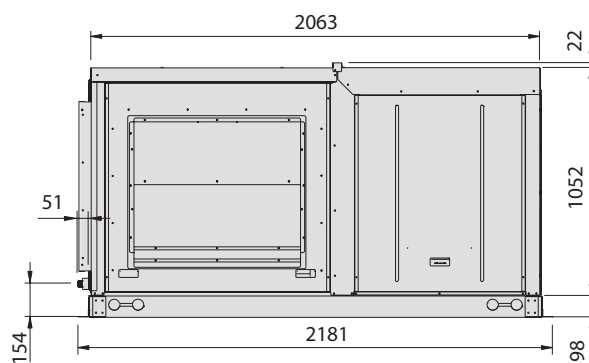
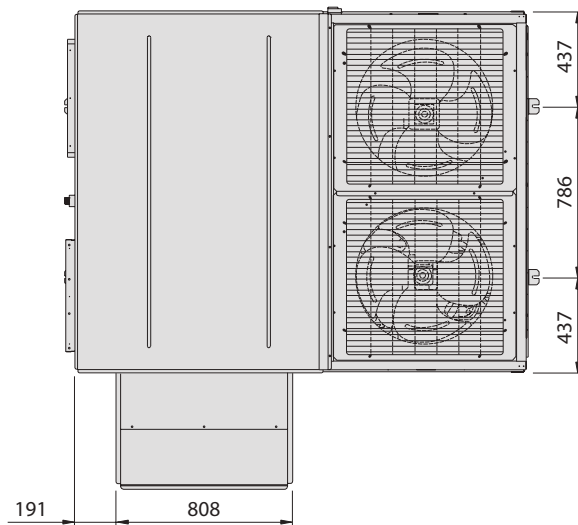
Перевод оригинальных инструкций

Модель: UATYQ250 С ОПЦИЕЙ ЭКОНОМАЙЗЕРА

Все размеры указаны в мм

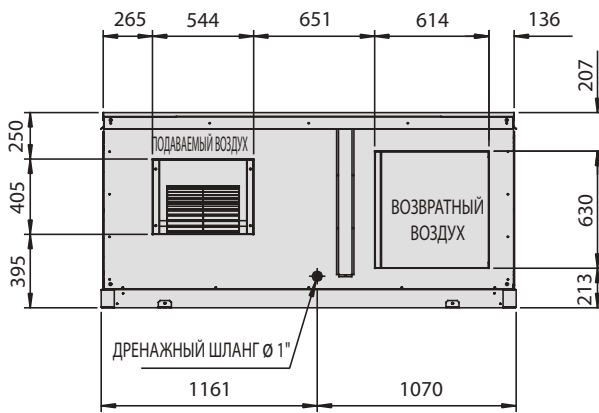
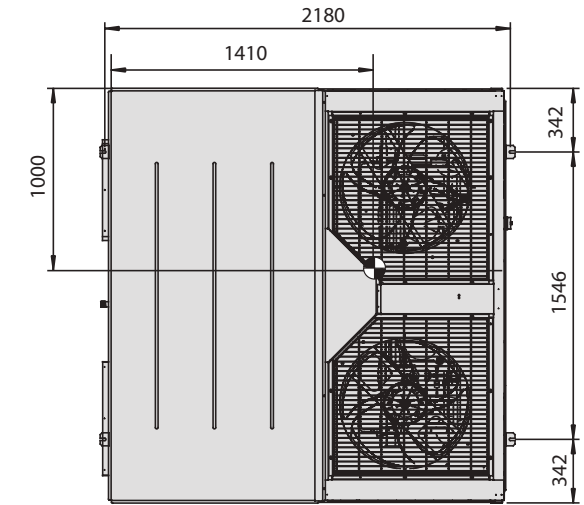


ДЛЯ ГОРИЗОНТАЛЬНОГО ВЫПУСКА

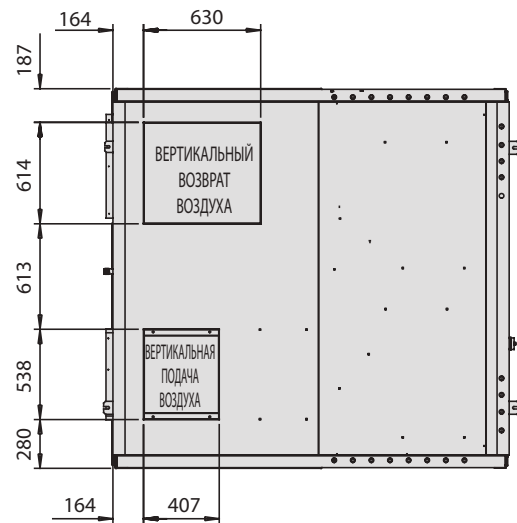
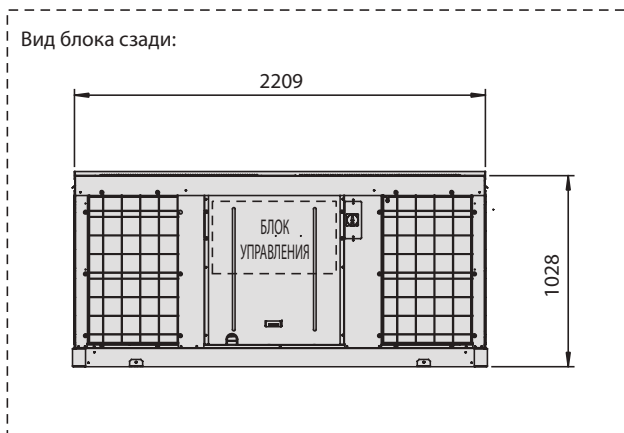
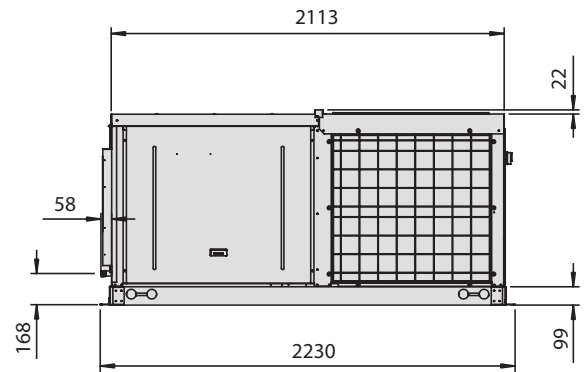


ДЛЯ ВЕРТИКАЛЬНОГО ВЫПУСКА

Все размеры указаны в мм



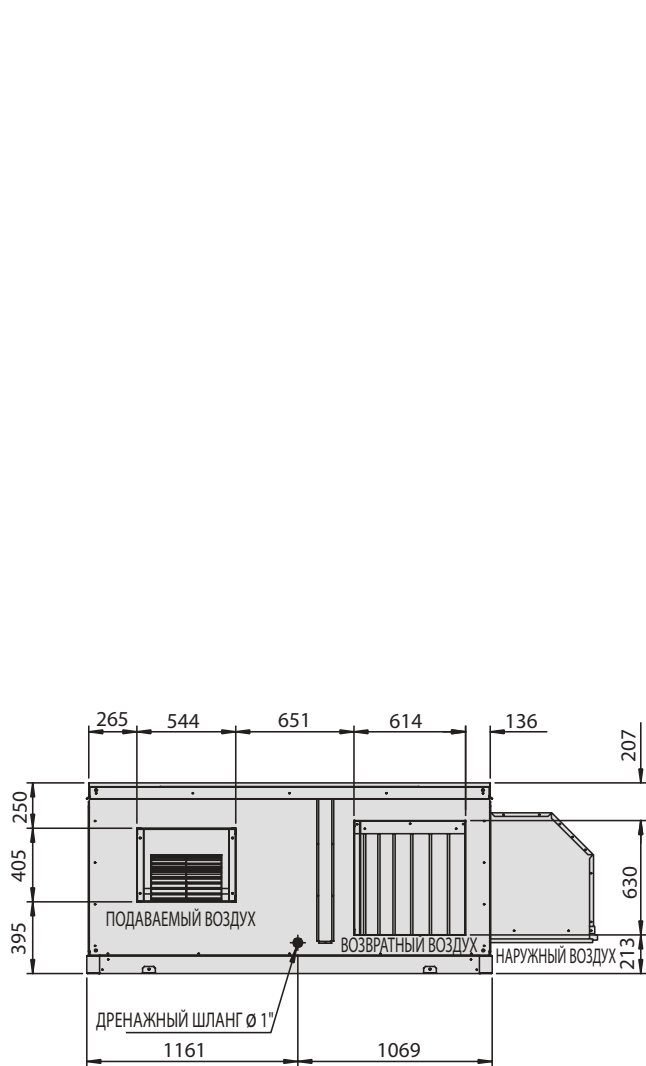
ДЛЯ ГОРИЗОНТАЛЬНОГО ВЫПУСКА



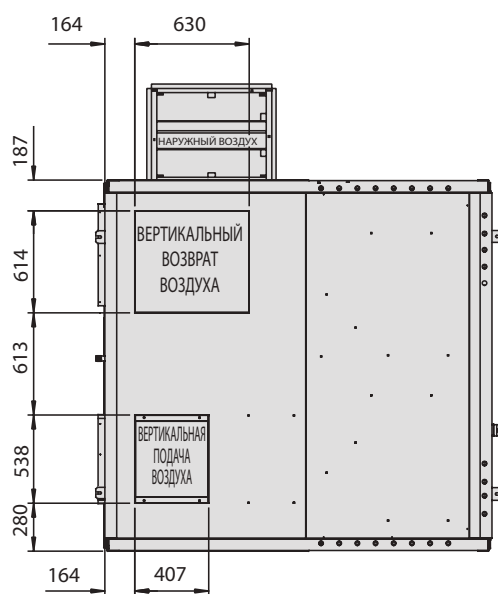
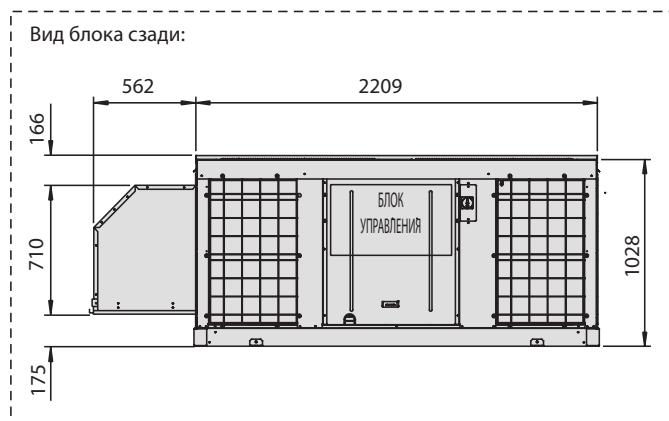
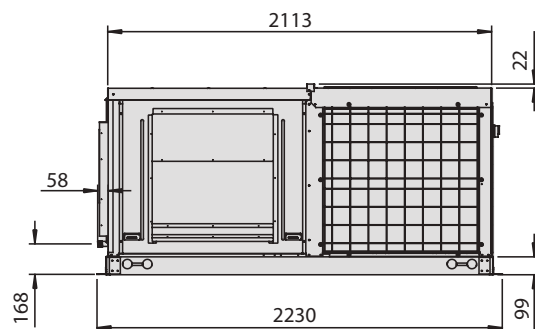
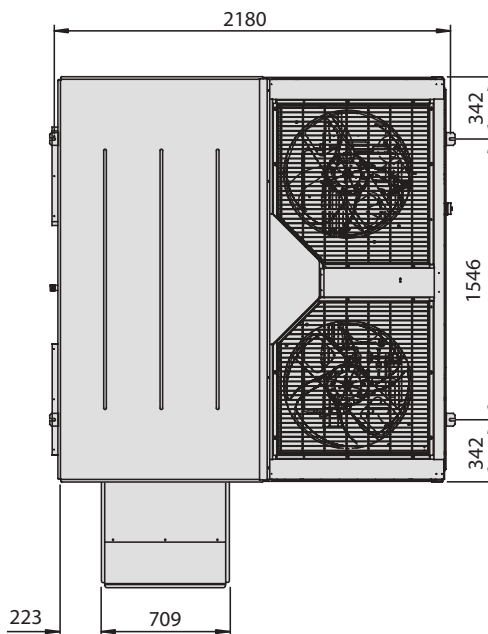
ДЛЯ ВЕРТИКАЛЬНОГО ВЫПУСКА

Модель: UATYQ350 С ОПЦИЕЙ ЭКОНОМАЙЗЕРА

Все размеры указаны в мм

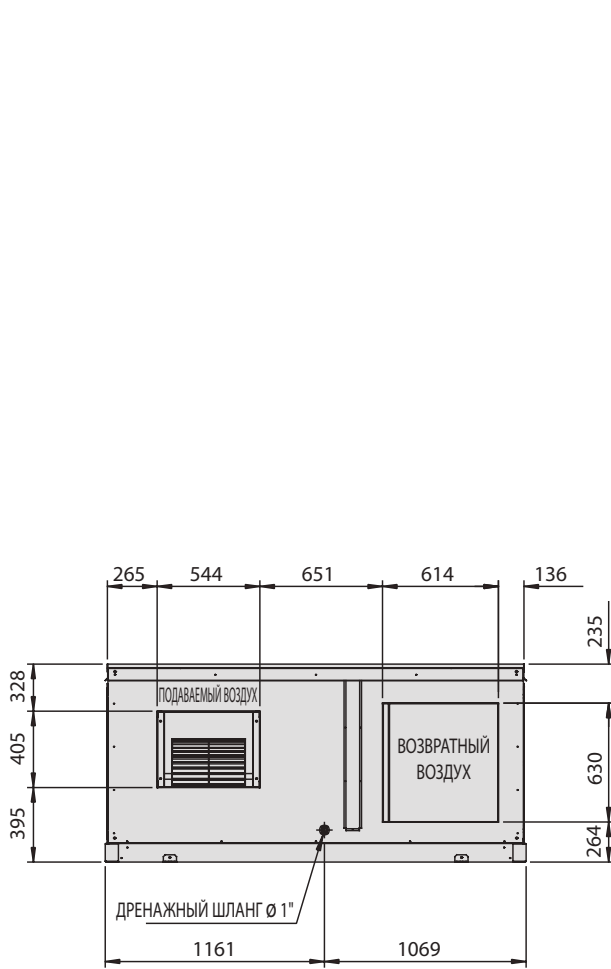


ДЛЯ ГОРИЗОНТАЛЬНОГО ВЫПУСКА

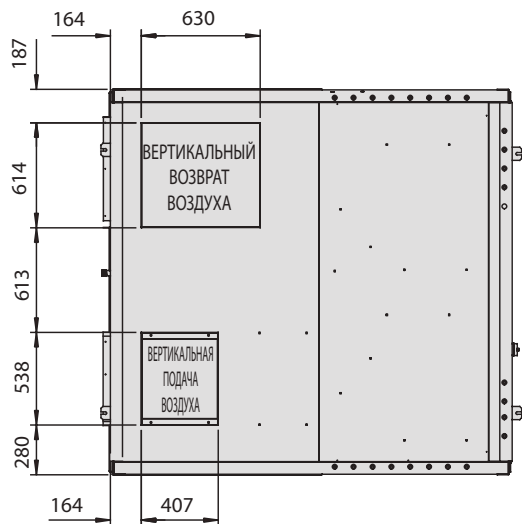
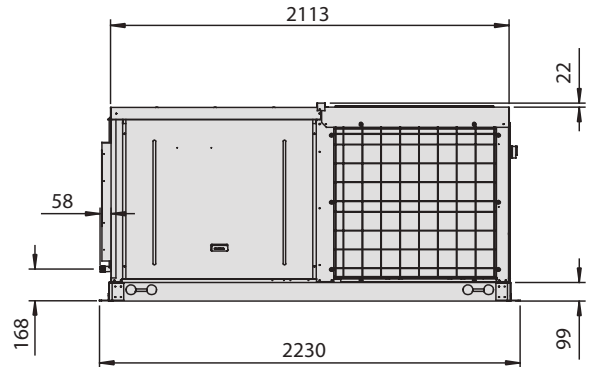
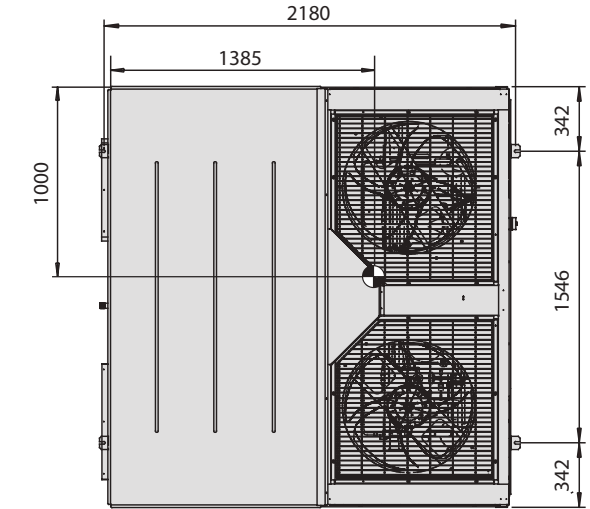
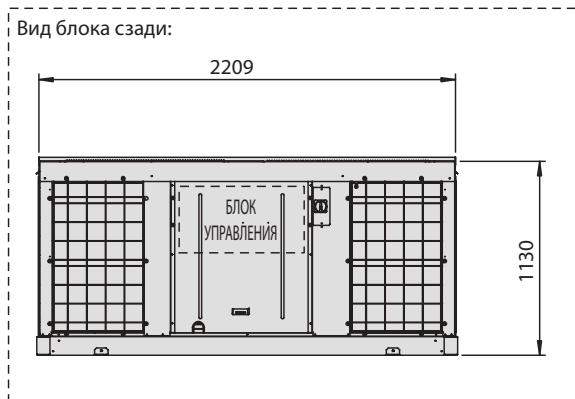


ДЛЯ ВЕРТИКАЛЬНОГО ВЫПУСКА

Все размеры указаны в мм



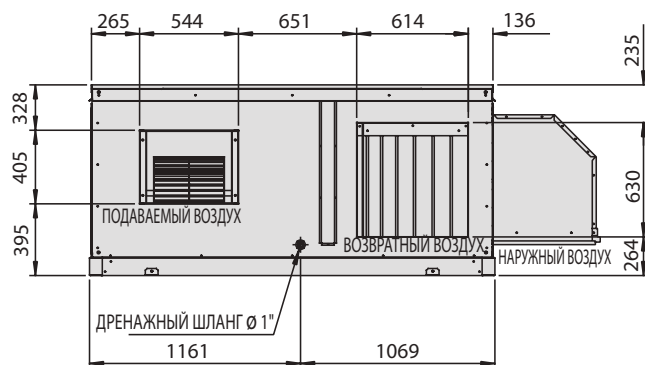
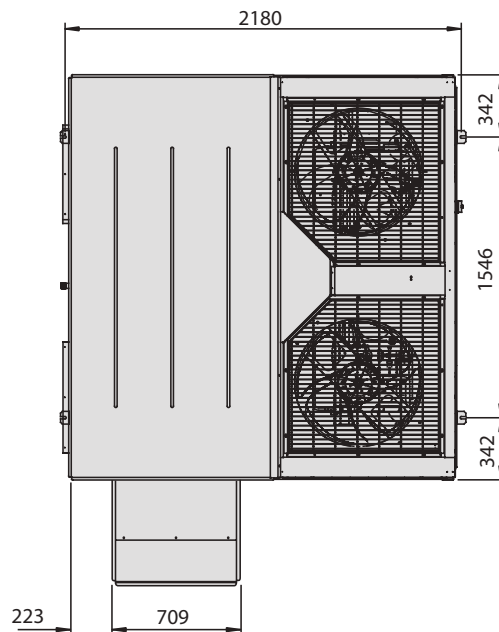
ДЛЯ ГОРИЗОНТАЛЬНОГО ВЫПУСКА



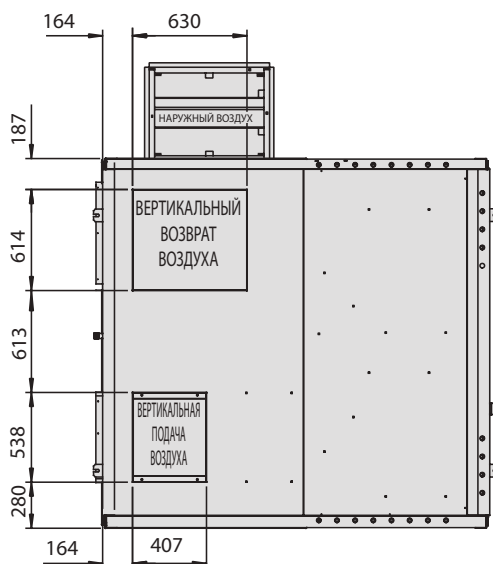
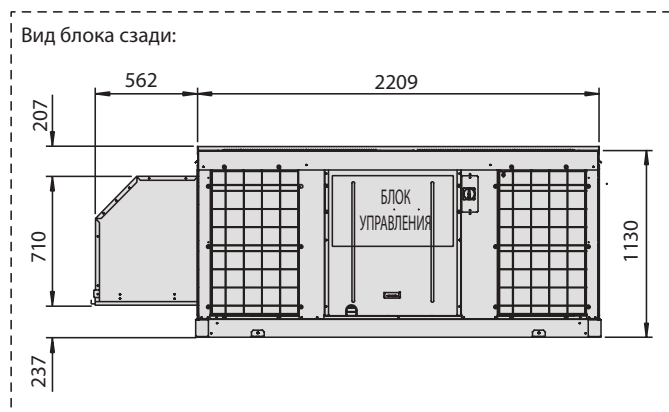
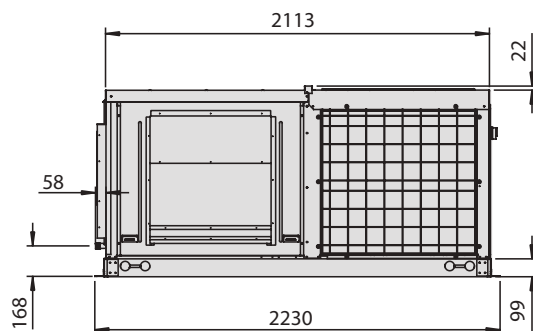
ДЛЯ ВЕРТИКАЛЬНОГО ВЫПУСКА

Модель: UATYQ450 С ОПЦИЕЙ ЭКОНОМАЙЗЕРА

Все размеры указаны в мм

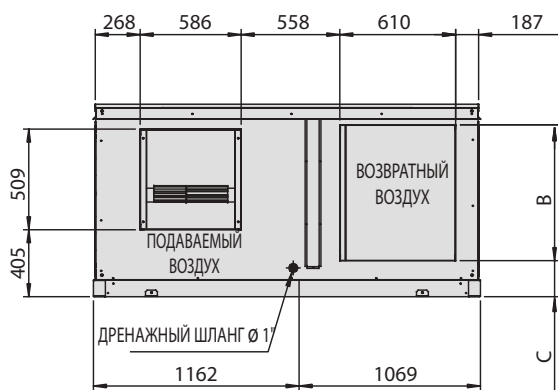
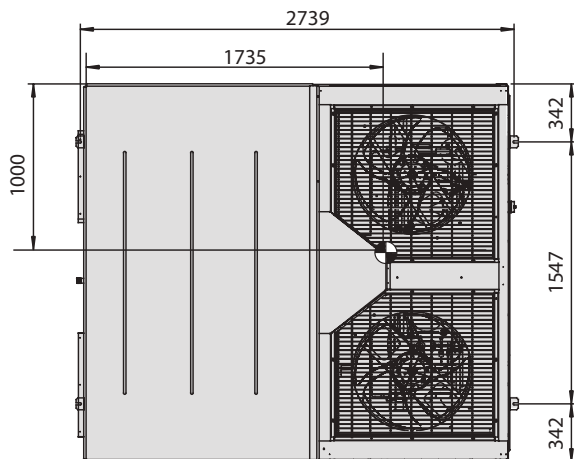


ДЛЯ ГОРИЗОНТАЛЬНОГО ВЫПУСКА

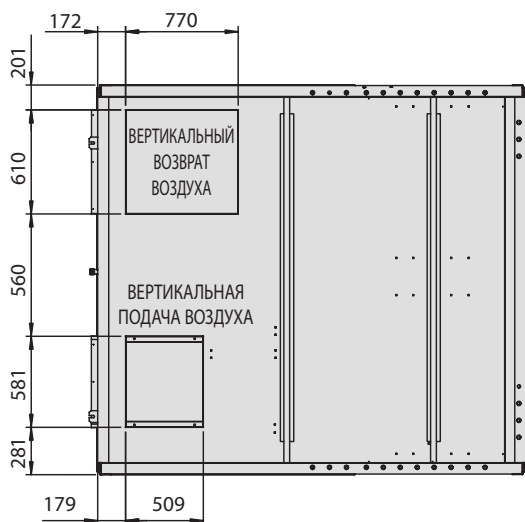
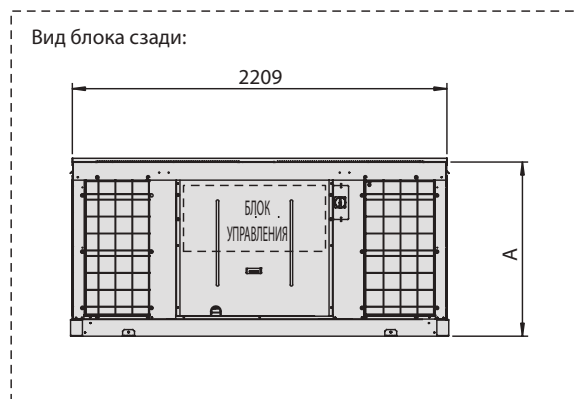
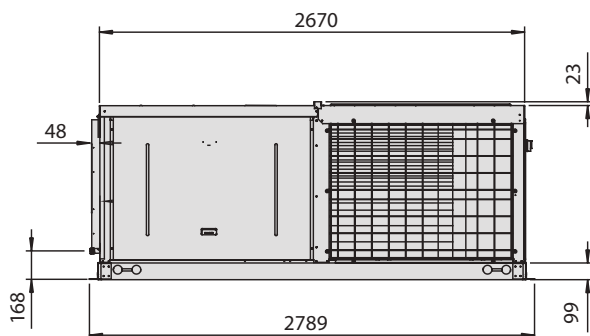


ДЛЯ ВЕРТИКАЛЬНОГО ВЫПУСКА

Все размеры указаны в мм



ДЛЯ ГОРИЗОНТАЛЬНОГО ВЫПУСКА



ДЛЯ ВЕРТИКАЛЬНОГО ВЫПУСКА

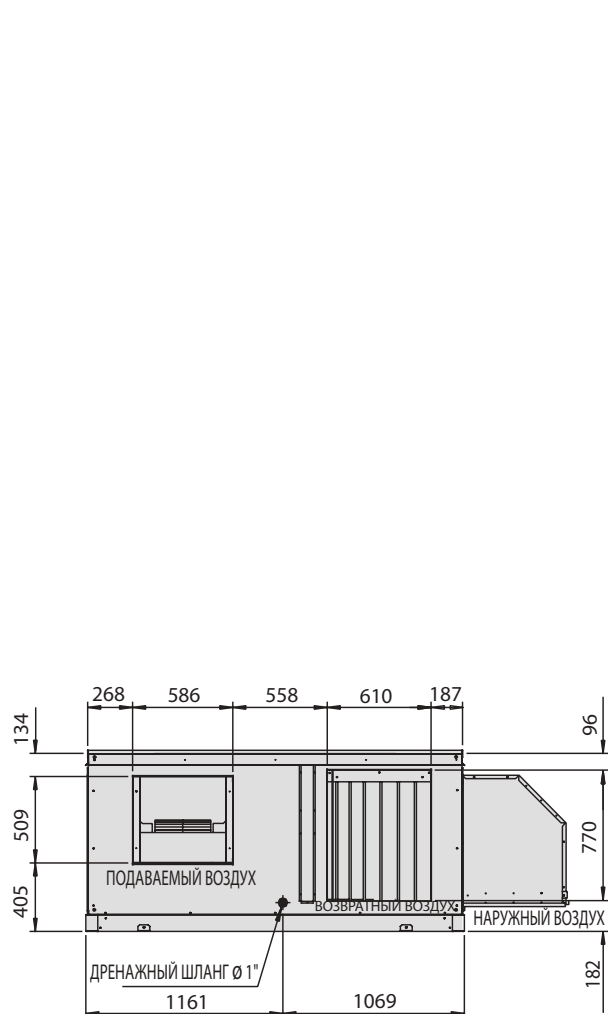
Модель (UATYQ)	550	600	700	900
A	1048	1302	1454	1454
B	770	770	1176	1176
C	182	322	182	182

☉ ЦЕНТР ТЯЖЕСТИ

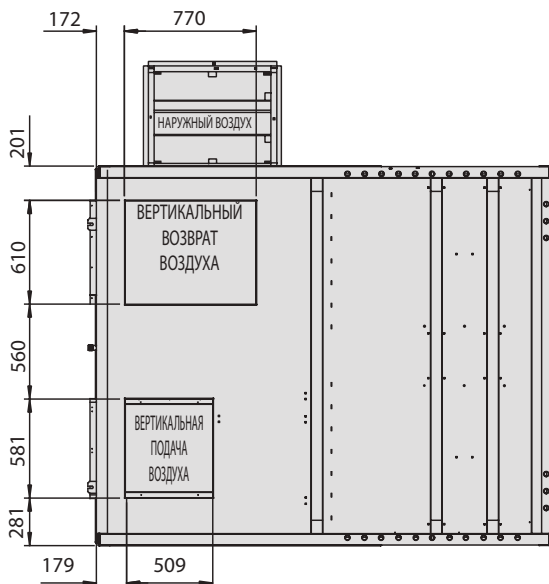
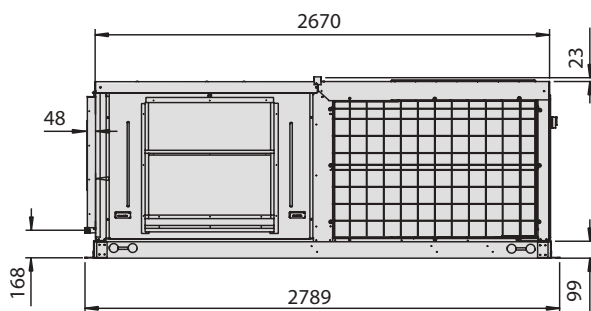
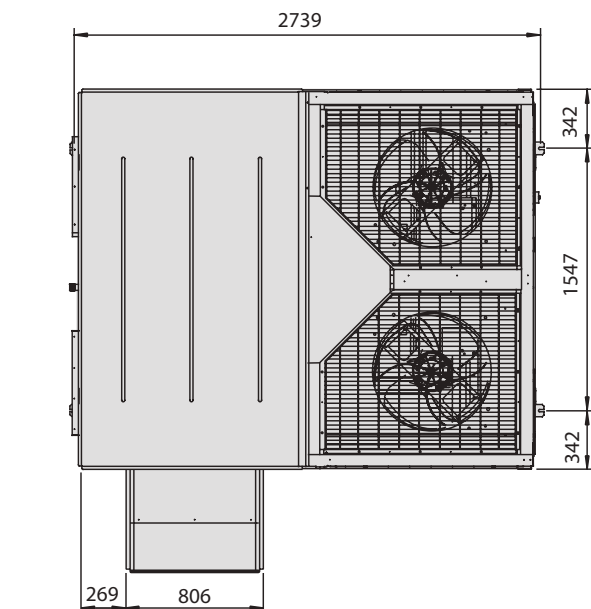
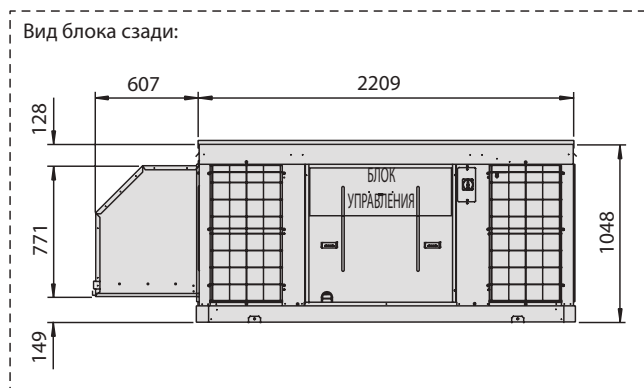
РУССКИЙ

Модель: UATYQ550 С ОПЦИЕЙ ЭКОНОМАЙЗЕРА

Все размеры указаны в мм



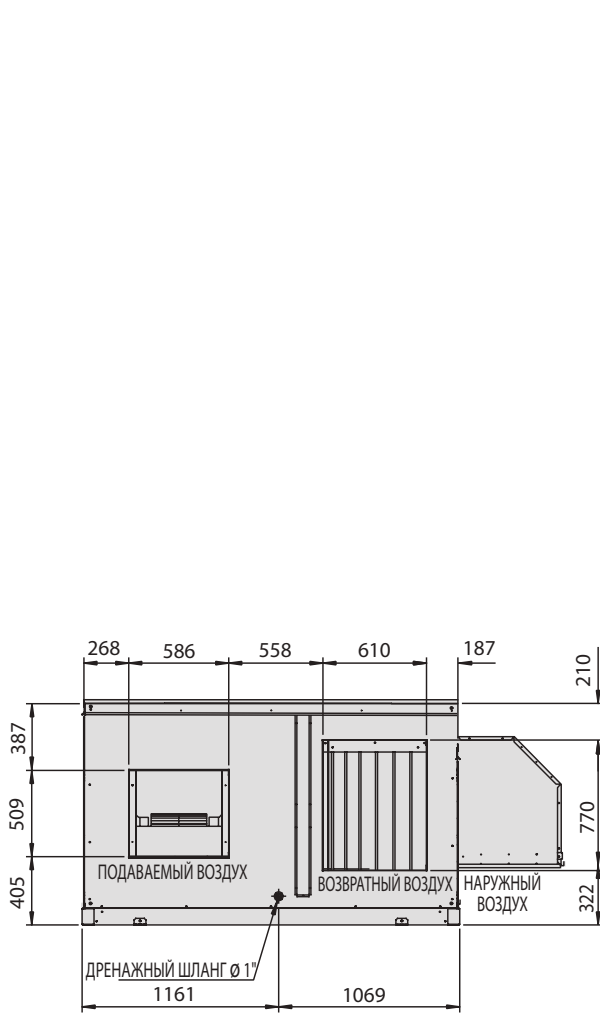
для ГОРИЗОНТАЛЬНОГО ВЫПУСКА



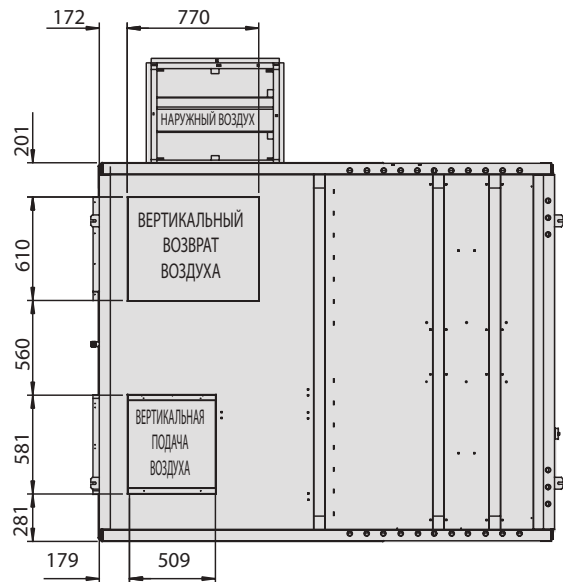
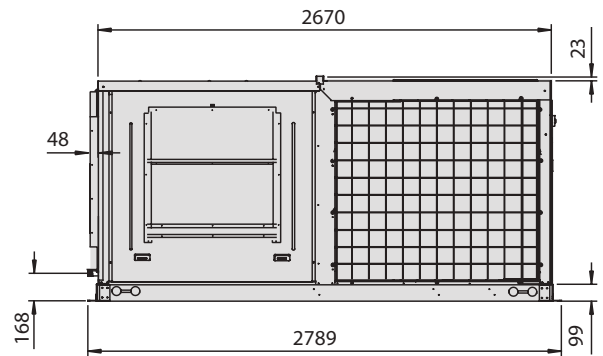
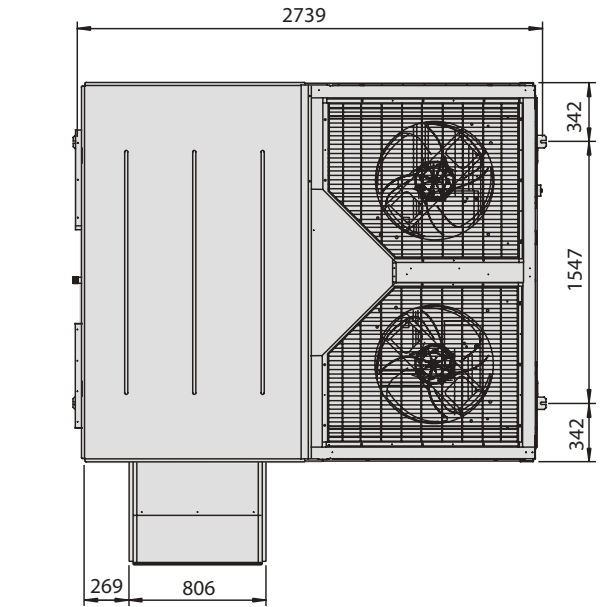
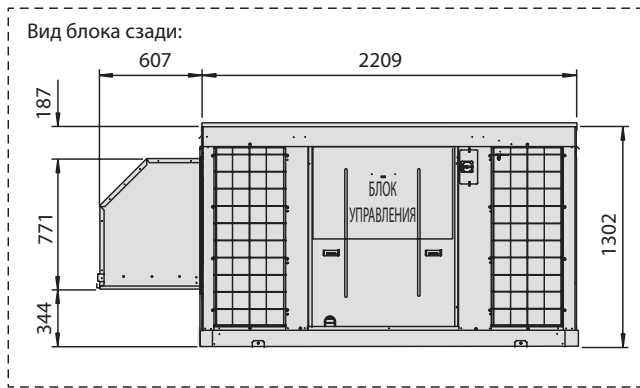
для ВЕРТИКАЛЬНОГО ВЫПУСКА

Модель: UATYQ600 С ОПЦИЕЙ ЭКОНОМАЙЗЕРА

Все размеры указаны в мм



ДЛЯ ГОРИЗОНТАЛЬНОГО ВЫПУСКА

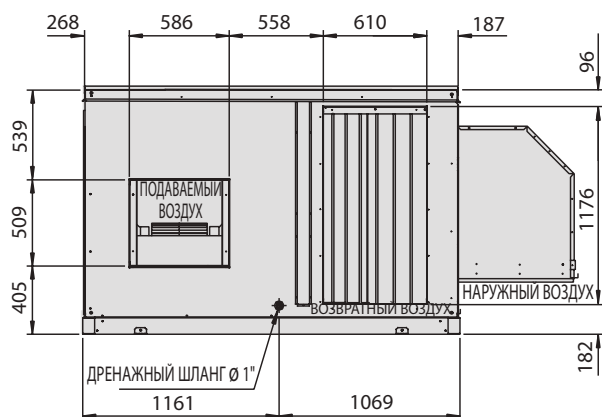
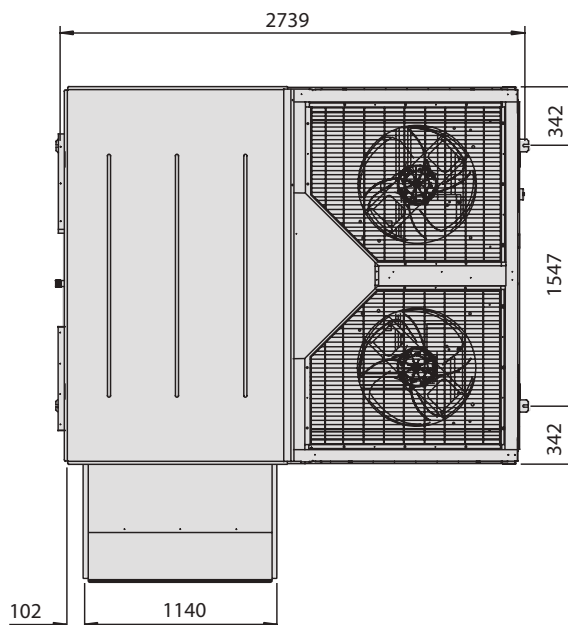


ДЛЯ ВЕРТИКАЛЬНОГО ВЫПУСКА

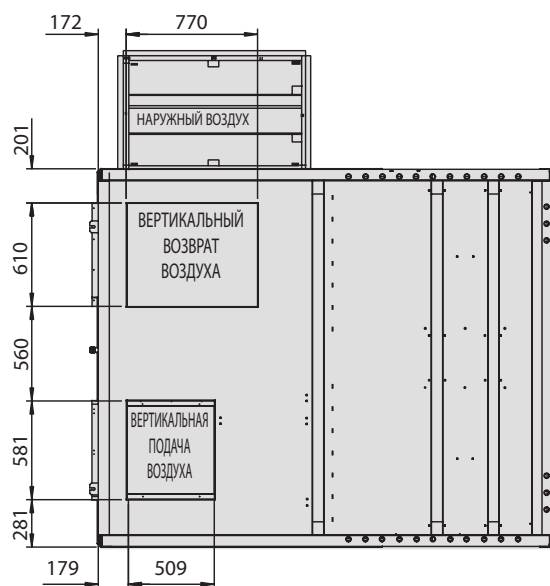
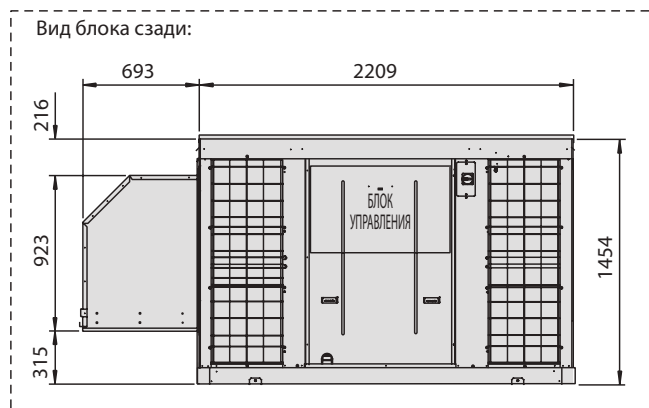
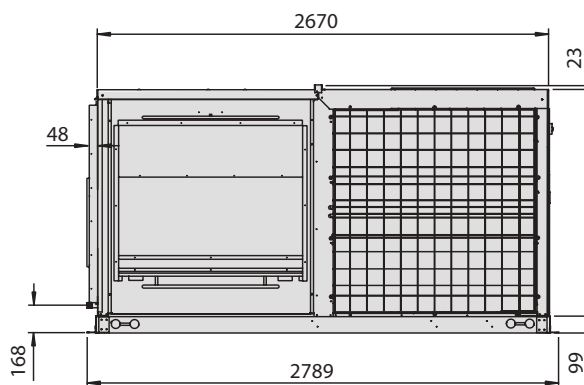
РУССКИЙ

Модель: UATYQ700 С ОПЦИЕЙ ЭКОНОМАЙЗЕРА

Все размеры указаны в мм



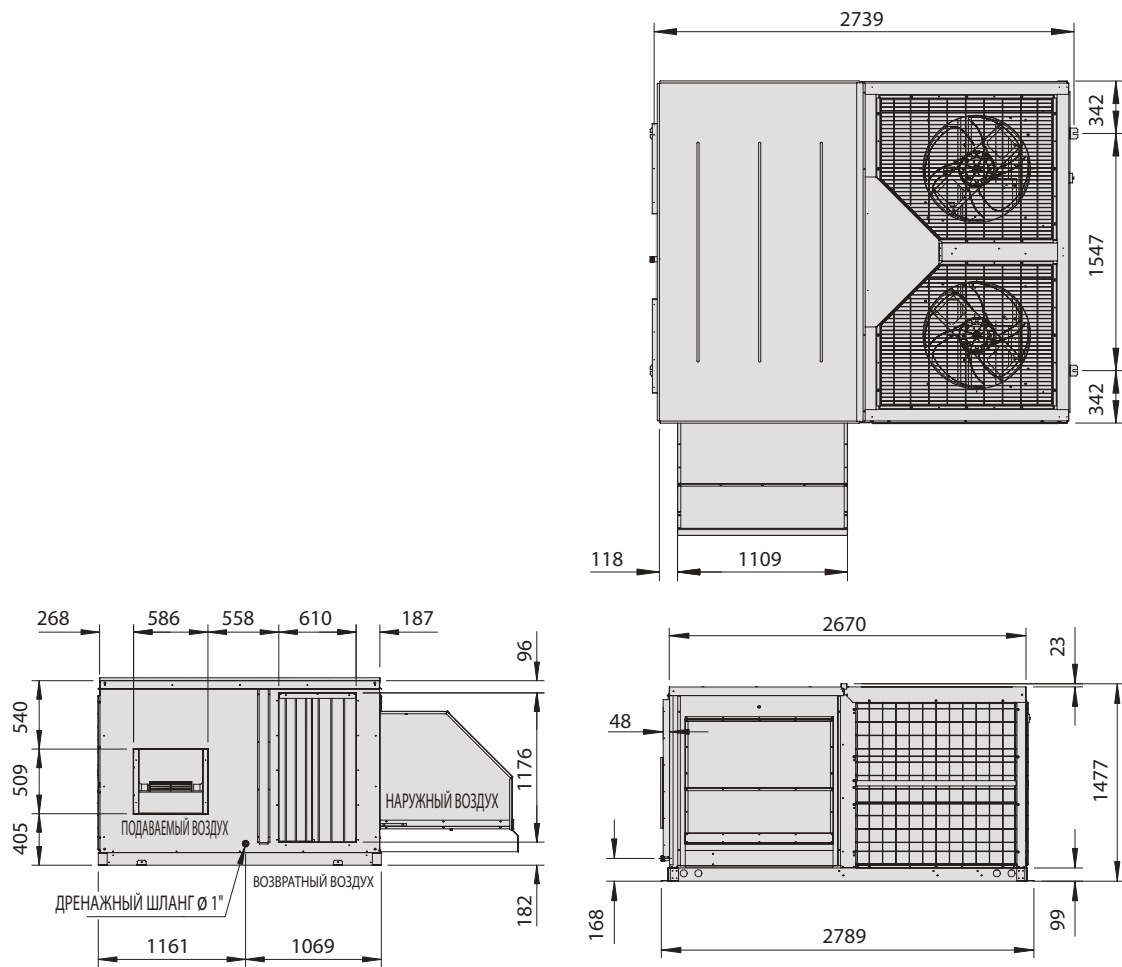
ДЛЯ ГОРИЗОНТАЛЬНОГО ВЫПУСКА



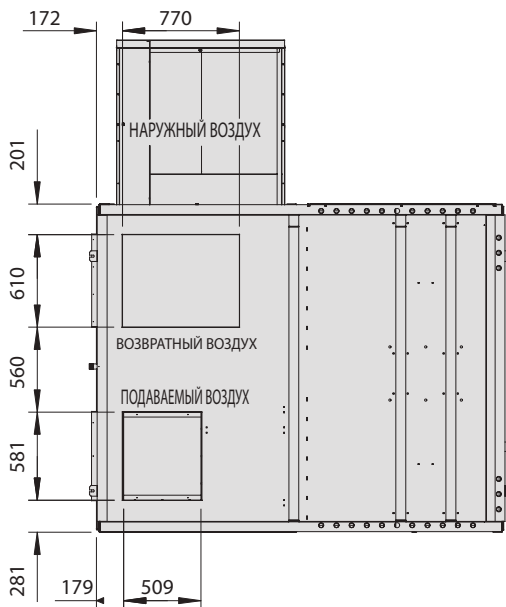
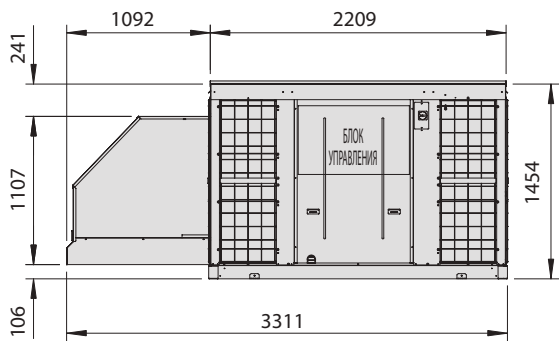
ДЛЯ ВЕРТИКАЛЬНОГО ВЫПУСКА

Модель: UATYQ900 С ОПЦИЕЙ ЭКОНОМАЙЗЕРА

Все размеры указаны в мм



ДЛЯ ГОРИЗОНТАЛЬНОГО ВЫПУСКА



ДЛЯ ВЕРТИКАЛЬНОГО ВЫПУСКА

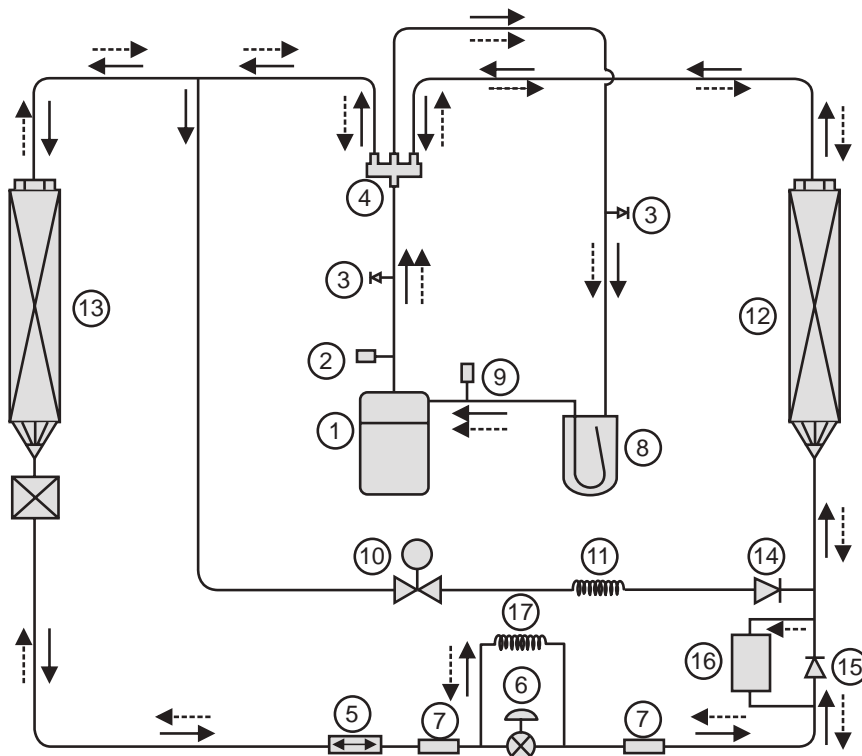
РУССКИЙ

СХЕМА ДВИЖЕНИЯ ХЛАДАГЕНТА

Модель: UATYQ 250, 350, 450, 550, 600, 700 & 900

→	Охлаждение
←-----	Нагревание

№	Описание детали
①	Компрессор
②	Реле высокого давления
③	Впускной клапан
④	4-ходовой клапан
⑤	Фильтр-влагоотделитель
⑥	Электронный расширительный клапан
⑦	Сетчатый фильтр
⑧	Аккумулятор
⑨	Реле низкого давления
⑩	Электромагнитный клапан
⑪	Обводная капиллярная трубка
⑫	Внутренний теплообменник
⑬	Наружный теплообменник
⑭	Проверка клапана 1
⑮	Проверка клапана 2
⑯	Компенсатор
⑰	Капиллярная трубка



Примечание: (a) Модель UATYQ350, 450, 550, 600, 700 & 900 включает 2 схемы движения хладагента в системе.
 (b) Пункты 15 и 16 применимы только к модели UATYQ350.
 (c) Пункты 17 применимы только к модели UATYQ700 & UATYQ900.

РУКОВОДСТВО ПО УСТАНОВКЕ

Это руководство рассматривает процедуру установки с целью обеспечения безопасности и соответствующих стандартов для функционирования блока кондиционера.

Специальная регулировка по месту установки может быть необходима.

Перед использованием Вашего кондиционера, прочитайте, пожалуйста, внимательно данное руководство по эксплуатации и сохраните его для обращения за справками в будущем.

Этот аппарат предусмотрен для использования опытным и обученным персоналом в магазинах, в легкой промышленности и сельском хозяйстве, или для коммерческого применения непрофессионалами.

Данное устройство не предназначено к эксплуатации лицами (включая детей) с ограниченными физическими, сенсорными или умственными возможностями, а равно и теми, у кого нет соответствующего опыта и знаний. Такие лица допускаются к эксплуатации устройства только под наблюдением или руководством лица, несущего ответственность за их безопасность.

За детьми необходим присмотр во избежание игр с устройством.

МЕРЫ ПРЕДОСТОРОЖНОСТИ

ВАЖНО

Важная информация об используемом хладагенте

Этот продукт содержит фторированные парниковые газы, на которые распространяется действие Киотского Протокола. Не выпускайте газы в атмосферу.

Марка хладагента:
R410A

Величина ПГП⁽¹⁾:
2087,5

⁽¹⁾ GWP = потенциал глобального потепления
Количество хладагента указано на табличке с заводскими характеристиками блока. В соответствии с общеевропейским или местным законодательством может быть необходима периодическая проверка на наличие утечек хладагента. За более подробной информацией обращайтесь к своему местному дилеру.

ПРИМЕЧАНИЕ

В Европе выбросы парниковых газов для полной заправки хладагента в системе (выражаются в тоннах CO₂-эквивалента) используются для определения интервалов технического обслуживания. Руководствуйтесь применимым законодательством.

Формула для расчета выбросов парниковых газов:

значение ПГП для хладагента × общая заправка хладагента (кг) / 1000







ВНИМАНИЕ

- Установка и техническое обслуживание должны проводиться квалифицированным персоналом, знающим местный код и положения и имеющим опыт работы с данным видом устройств.
- Весь монтаж проводов должен проводиться в соответствии с национальными правилами электромонтажа.
- Перед началом электромонтажа удостоверьтесь, что напряжение блока соответствует указанному на табличке, согласно электрической схеме.
- Блок должен быть ЗАЗЕМЛЕН для предотвращения возможной опасности в результате неправильной установки.
- Электропроводка не должна соприкасаться с трубопроводом хладагента или движущимися частями двигателей вентилятора.
- Удостоверьтесь, что блок ВЫКЛЮЧЕН перед установкой или обслуживанием.
- Прежде чем производить сервисные работы, кондиционер следует отключить от электросети.
- НЕ выдергивайте шнур при включенном питании. При этом можно получить серьезные удары током и вызвать угрозу пожара.
- Блоки кондиционера, кабель питания и передающая проводка должны располагаться на расстоянии не менее 1 м от теле- и радиопроводки, чтобы предотвратить искажение изображения и статические помехи. (В зависимости от типа и источника электрических волн, помехи могут быть услышаны даже при установке более чем на 1 м).
- Оборудование не предназначено для использования в потенциально взрывоопасной среде.



ОСТОРОЖНО

Пожалуйста, обратите внимание на нижеследующие важные моменты при установке.

- **Не устанавливайте блок в месте, где может произойти утечка взрывоопасного газа.**
 Если имеется утечка газа и его сбор рядом с блоком, то он может стать причиной возгорания.
- **Удостоверьтесь, что сливные трубы соединены надлежащим образом.**
 Если сливные трубы не соединены надлежащим образом, это может стать причиной утечки воды.
- **Не подвергайте перегрузке блок.**
 Данный блок установлен на определенную нагрузку на заводе-изготовителе.
Перегрузка вызовет перегрузку тока или повредит компрессор.
- **Удостоверьтесь, что панель блока закрыта после технического обслуживания или установки.**
 Удостоверьтесь, что панель блока закрыта после технического обслуживания или установки.
- **Острые края и поверхности змеевиков являются потенциальными местами нанесения травм. Остерегайтесь контакта с этими местами.**
- **Перед тем, как включить питание, переведите выключатель удаленного контроллера в положение "OFF" (Выкл.) во избежание случайного срабатывания устройства.** Если этого не сделать, при включении питания вентиляторы автоматически начнут вращаться и обслуживающий персонал или пользователь подвергнется опасности.
- **Не включайте вблизи кондиционера какое-либо нагревательное оборудование.**
- **Для входящего электропитания не следует использовать соединенные и скрученные многожильные провода.**

Требования по утилизации:

Разборка блока, обработка хладагента, масла и других деталей должна осуществляться в соответствии с применяемым законодательством.

УСТАНОВКА БЛОКА

А Место установки

- Установите блок таким образом, чтобы выпускаемый блоком воздух не затягивало внутрь снова (как в случае короткого замыкания воздуха на выпуске). Оставьте вокруг блока достаточно места для проведения технического обслуживания.
- При установке нескольких блоков в одном месте необходимо расположить их таким образом, чтобы один блок не захватывал воздух на выпуске из другого блока.
- Убедитесь, что на входе и выходе воздушного потока из блока нет препятствий. Удалите препятствия, которые блокируют впуск или выпуск воздуха.
- Место должно хорошо вентилироваться, чтобы блок мог втянуть и выпустить достаточного воздуха.
- Рекомендуются устанавливать блок в месте, которое соответствует следующим условиям:
 - способность выдержать вес блока, а также изолировать шум и вибрацию;
 - наличие соответствующего дренажа;
 - блок не засыпает снегом;
 - отверстия для впуска и выпуска воздуха не продуваются сильным ветром;
 - выпускаемый воздух и шум при работе блока не мешают соседям;
 - блок располагается вне пределов досягаемости прохожих.

Примечание

- Во время установки блока с комплектом экономайзера следуйте рекомендациям, представленным в части (В) (iii) главы “ВСПОМОГАТЕЛЬНОЕ ОБОРУДОВАНИЕ” данного руководства.



ОСТОРОЖНО

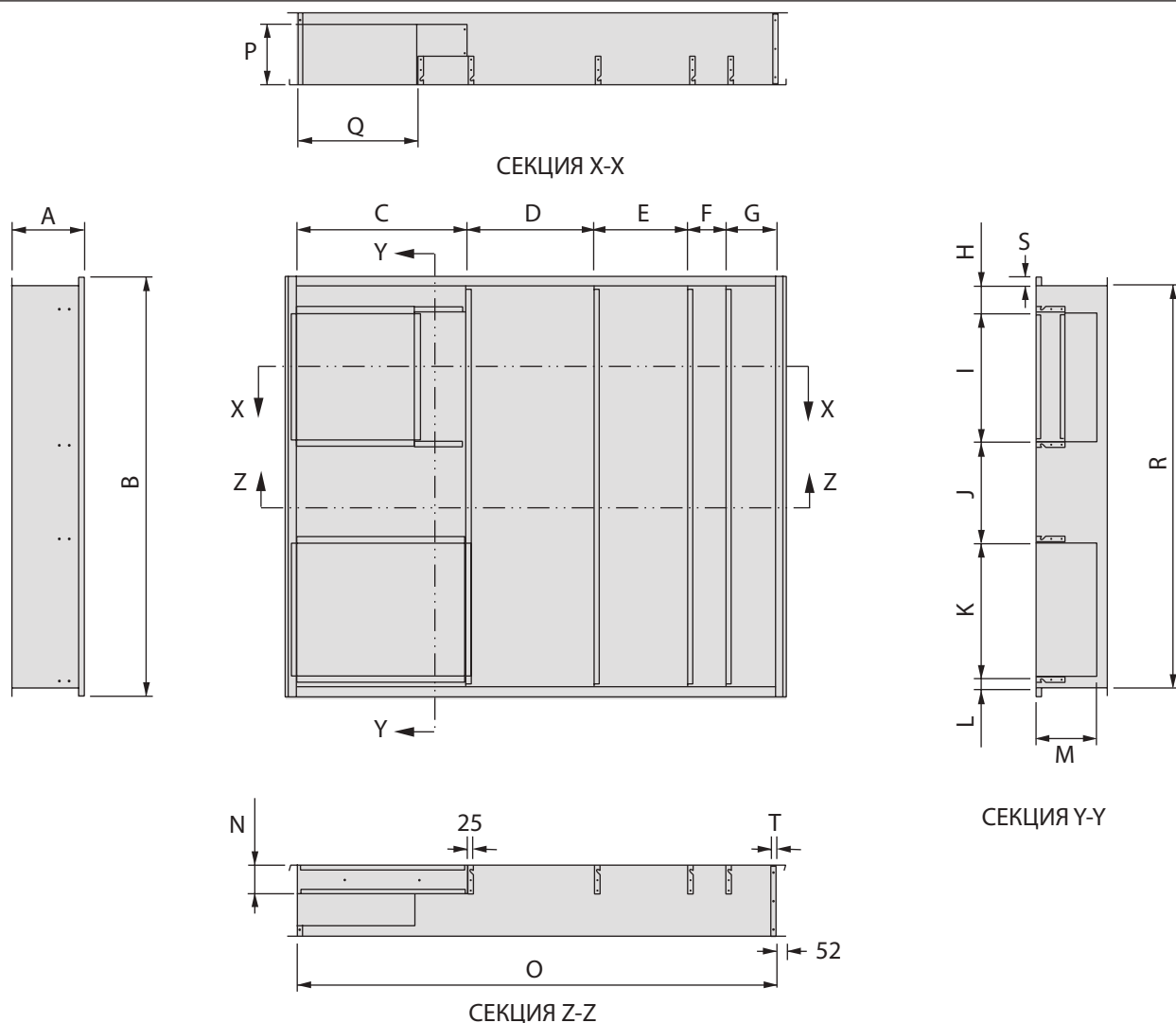
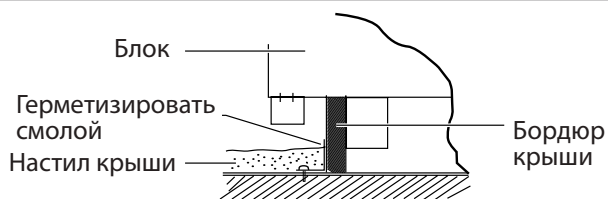
Запрещается устанавливать кондиционер на высоте свыше 2000 м.

В Конструкция трубопровода

- Данный блок оснащен отверстиями для подачи и возврата воздуха. Соединение трубопровода с блоком должно быть выполнено с помощью фланцев. Чтобы избежать излучения нормального шума, трубопровод крепится непосредственно к воздушным отверстиям с помощью гибких соединений.
- Для предотвращения утечки воздуха все швы трубопровода должны быть герметизированы.
- На некондиционируемых участках трубопровод должен быть изолирован.
- Выведенные наружу части трубопровода должны быть защищены от атмосферных воздействий.
- Если трубопровод заходит с крыши, входное отверстие должно быть герметизировано, чтобы предотвратить попадание в здание дождя, песка, пыли и т. д.
- На трубе возврата воздуха должен быть установлен фильтр правильного размера.

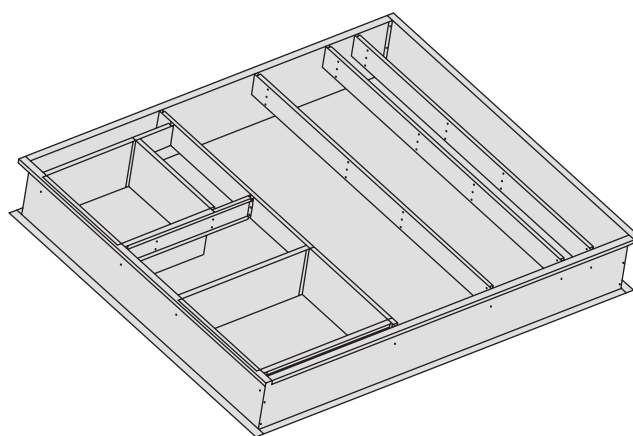
С Опора блока (только для блоков с нисходящим потоком)

- На рисунке показано использование бордюра крыши для монтажа таких блоков.
- Бордюр должен быть герметизирован и закреплен на крыше с помощью уплотнителя. Рекомендуется герметизировать блок и бордюр крыши, как показано на рисунке справа.
- Рекомендуемый размер бордюра крыши указан ниже.



Модель (УАТУQ)	250	350/450	550/600/700/900
A	355	355	355
B	1506	2081	2081
C	840	700	840
D	315	410	625
E	315	410	462
F	0	0	190
G	314	287	248
H	0	131	131
I	607	600	646
J	322	544	495
K	540	682	676
L	0	42	51
M	300	300	300
N	141	141	141
O	1784	1807	2365
P	300	300	300
Q	481	477	590
R	1469	1998	1998
S	20	41,5	41,5
T	20	41,5	41,5

Примечание: Все размеры указаны в мм

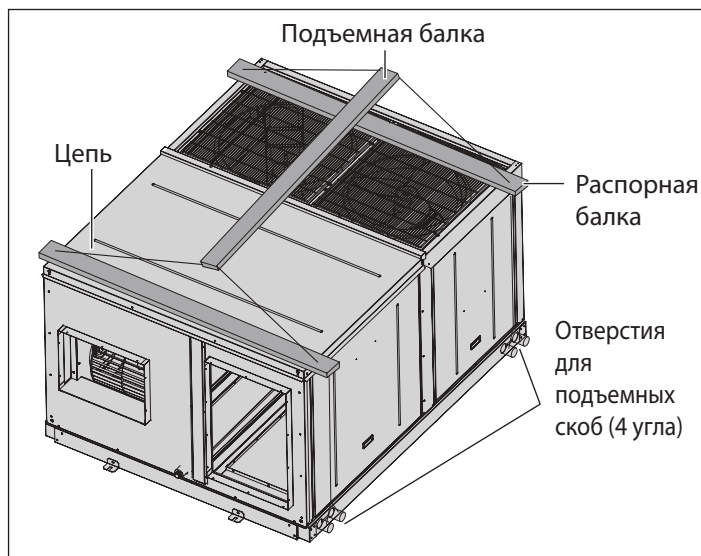


D Подъем блока

- Отверстия в 4 угла основания блока используются для подъема блока.
- Распорная балка должна быть немного шире самого блока.
- На 4 угла цепи можно наложить изоляцию, чтобы предотвратить повреждение панели при подъеме.

Примечание

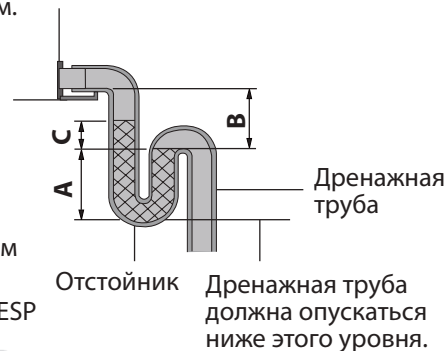
- На схеме изображена модель UATYQ250.
- Для других моделей используется такой же метод подъема.



E Дренажная труба

- 1" МРТ фиттинг для отвода конденсата предоставляется. Дренажная труба может быть выведена на переднюю сторону.
- Дренажная труба должна оснащаться отстойником снаружи блока и устанавливаться под углом для надлежащего отведения воды, как показано на рисунке справа.
- Чтобы предотвратить образование и утечку конденсата, изолируйте дренажную трубу для защиты от запотевания.
- После завершения монтажа трубопровода, убедитесь в отсутствии утечек и надлежащем отведении воды.

Дренажная труба должна быть оснащена отстойником.



A ≥ 70мм

B ≥ 2C

C ≥ 2 X ESP

Примечание:

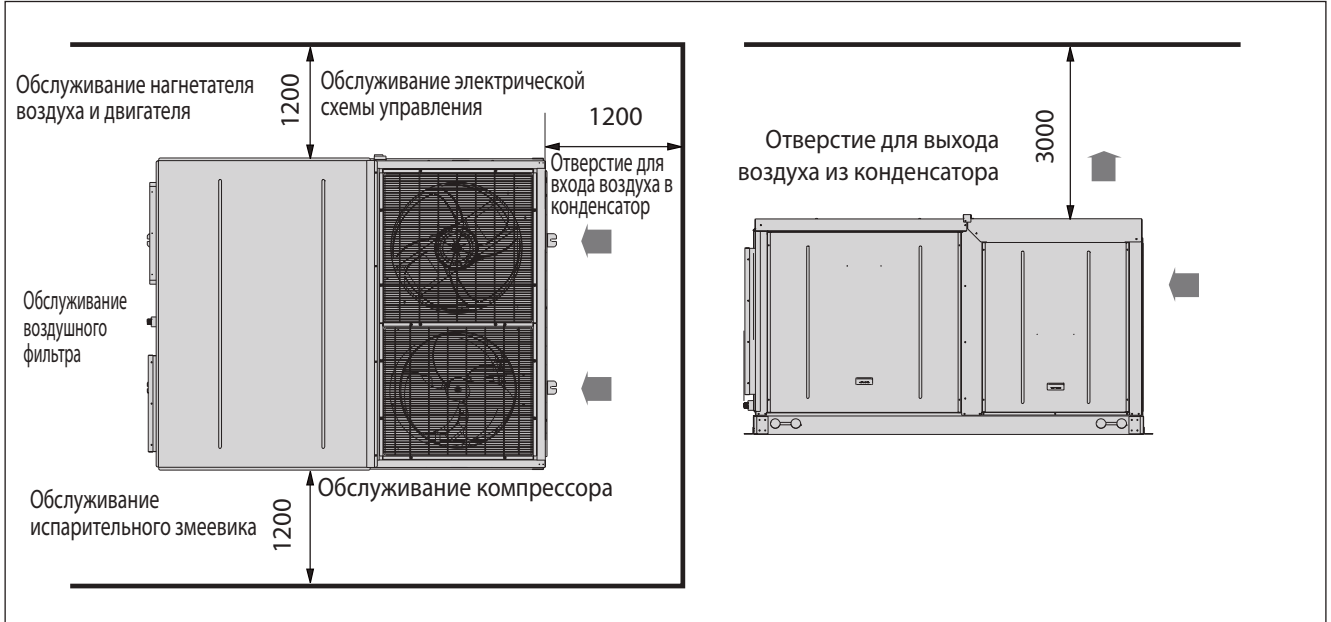
- ВСД = внешнее статическое давление

Отстойник для конденсата

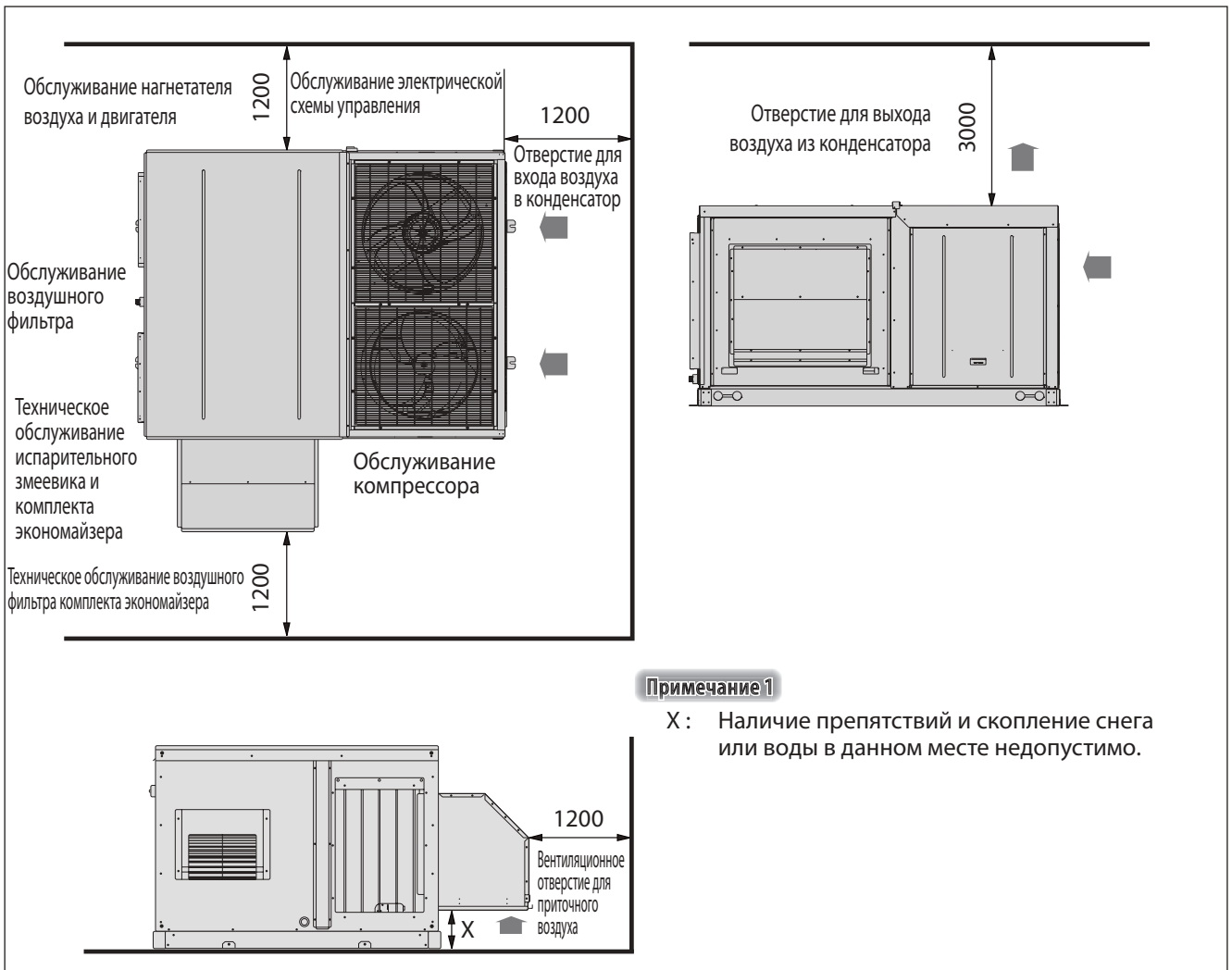
F Пространство вокруг блока

Требуемое пространство вокруг блока указано на схеме ниже. Примечание:

- Все размеры указаны в мм.
- Все расстояния соответствуют минимальному требуемому зазору для блока.
- На схеме показана модель UATYQ250. Для других моделей требуются такие же зазоры



При установке комплекта экономайзера необходимо обеспечить наличие дополнительного пространства или допуска. В случае если блок оборудован комплектом экономайзера, пространство, которое необходимо обеспечить вокруг блока с комплектом экономайзера, должно соответствовать данной схеме, представленной ниже:-

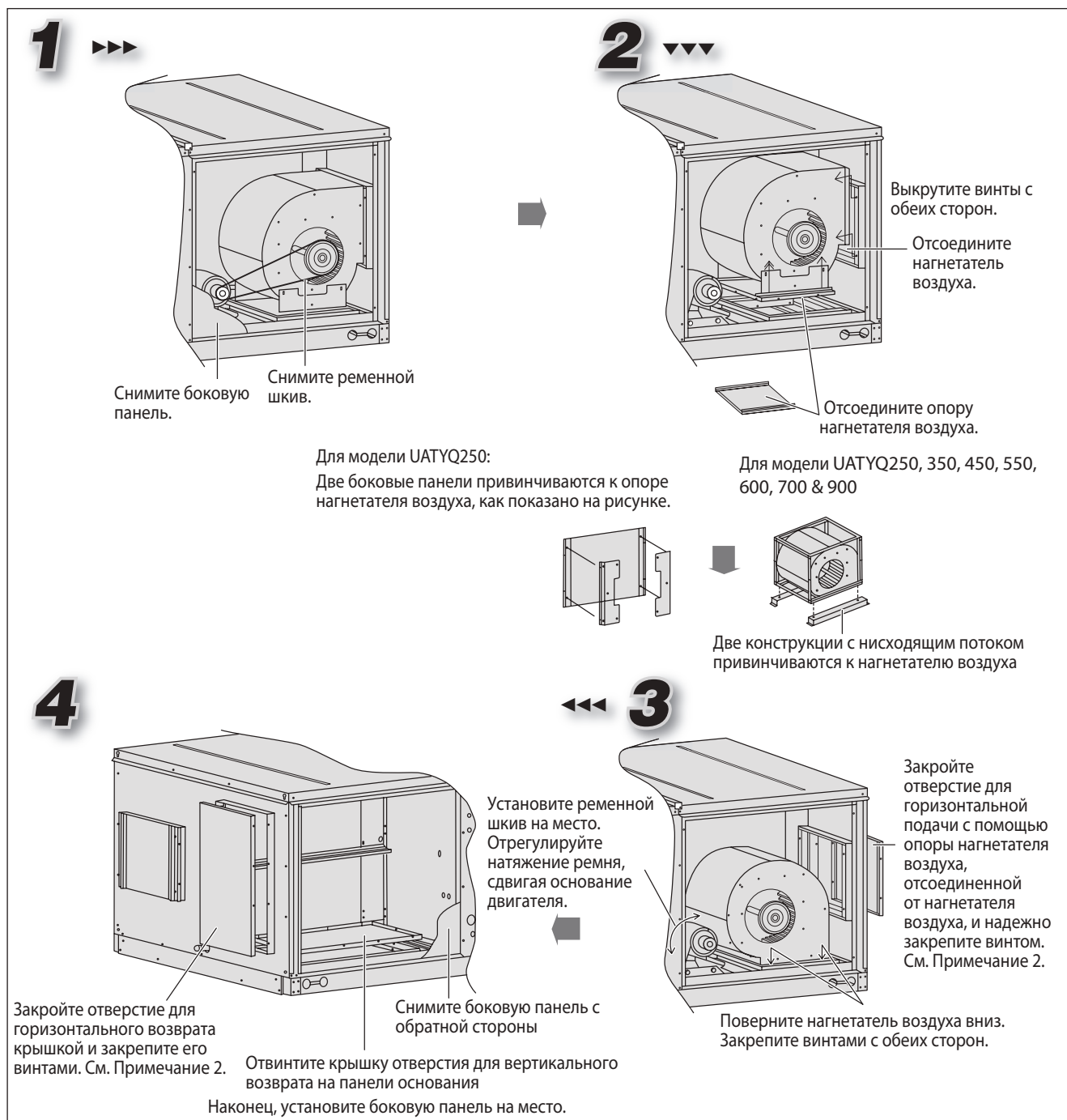


Примечание 1

X : Наличие препятствий и скопление снега или воды в данном месте недопустимо.

G Переоборудование блока

В случае переоборудования стандартного блока в блок с нижней подачей воздуха выполните шаги, указанные ниже:
UATYQ250, 350, 450, 550, 600, 700 & 900



Установите ременной шкив на место. Отрегулируйте натяжение ремня. Наконец, установите боковую панель на место. См. Примечание 1.

Примечание 1

Для переоборудования блока на нижнюю подачу воздуха необходимо изменить длину ремня.

Для блока со стандартным шкивом длина ремня = a мм

Расстояние между валами в блоке с нижней подачей воздуха, C-C = b мм

	UATYQ250	UATYQ350	UATYQ450	UATYQ550	UATYQ600	UATYQ700	UATYQ900
a	1432	1457	1382	1500	1500	1500	1500
b	425	430	345	420	420	440	445

Примечание 2

Уплотнительный материал, такой как сальник (приобретается на месте), следует размещать между металлической крышкой и фланцем. Помимо этого, для обеспечения водонепроницаемости на все соединения, винтовые отверстия и зазоры следует нанести силикон, устойчивый к атмосферным воздействиям.

Примечание 3

Информацию относительно изгиба нагнетателя воздуха и технических данных барабана с переменным шагом смотрите в Сборнике технической документации.

ФИЗИЧЕСКИЕ ДАННЫЕ

Тепловой насос (R410A)

Модель		UATYQ250	UATYQ350	UATYQ450	UATYQ550	UATYQ600	UATYQ700	UATYQ900
Хладагент		R410A						
Заряд хладагента	кг	6,1	5,8/5,8	7,2/7,2	8,7/8,7	10,4/10,4	11,6/11,6	11,6/11,6
Поток воздуха в испарителе	куб. футов/мин	3300	4300	5650	6700	7300	8300	9600
	л/с	1557	2029	2667	3162	3445	3917	4531
Внешнее статическое давление	мм.водн. ст.	15			21			
	Па	147			206			
Поток воздуха в конденсаторе	куб. футов/мин	8230	6000/6000	6050/6050	6450/6450	10100/10100	10600/10600	10600/10600
	л/с	3884	2831/2831	2855/2855	3044/3044	4767/4767	5003/5003	5003/5003
Управление		Проводной контроллер блока на крыше						
Длина провода управления (стандартная/ макс.): Размер	м : мм ²	15 / 100 : 3						
Компрессор (тип/количество)		Спиральный/1	Спиральный/2	Спиральный/2	Спиральный/2	Спиральный/2	Спиральный/2	Спиральный/2
Воздушный фильтр (тип/количество)		Промываемый Saranet/2						
Размеры воздушного фильтра (длина x ширина x толщина)	мм	880 x 467 x 4	1126 x 385 x 4	1126 x 435 x 4	1497 x 392 x 4	1497 x 495 x 4	1497 x 595 x 4	1497 x 595 x 4

ЭЛЕКТРИЧЕСКИЕ ДАННЫЕ

Тепловой насос (R410A)

Модель		UATYQ250	UATYQ350	UATYQ450	UATYQ550	UATYQ600	UATYQ700	UATYQ900
Источник питания	В/Фаза/Гц	380-415/3N~/50						
Макс. непрерывный ток (комп.)	А	26	17/17	19/19	26/26	28/28	29/29	40,0/40,0
Ток полной нагрузки (FLA, комп.)	А	21	12/12	15/15	21/21	22/22	25/25	34,0/34,0
Ток заторможенного ротора (LRA, комп.)	А	111	74/74	101/101	111/111	118/118	118/118	174,0/174,0

Оборудование отвечает требованиям, изложенным в EN 61000-3-11, и для подключения к сети требуется выполнение определенных условий. При подключении нужно проконсультироваться в службе, отвечающей за подачу электроэнергии. Оборудование может подключаться к питающей сети с полным сопротивлением, не превышающим указанное в следующей таблице значение. Полное сопротивление системы в точке подключения можно узнать в службе, отвечающей за подачу электроэнергии.

Модель	Максимальное полное сопротивление (Z_{max}), Ом
UATYQ250	0,22
UATYQ350	0,23
UATYQ450	0,21
UATYQ550	0,21
UATYQ600	0,21
UATYQ700	0,21
UATYQ900	0,20

Если полное сопротивление питающей сети превышает указанное значение, в момент запуска оборудования или в процессе его работы могут иметь место кратковременные провалы напряжения. Они могут привести к нарушению в работе другого оборудования, например, к миганию ламп (особенно если они подключены к этой же питающей сети).

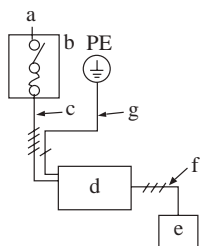
СОЕДИНЕНИЕ ЭЛЕКТРОПРОВОДКИ

- Все работы с электропроводкой должен выполнять квалифицированный электрик в соответствии с применимыми местными требованиями и нормативами.

Метод соединения электрических проводов

Перед подключением проводки обратитесь в компанию, которая поставяет электроэнергию в этой местности.

1. Полная схема электропроводки блока



a	Источник питания
b	Главный выключатель/ предохранитель (приобретается на месте)
c	Разводка питания для блока
d	Блок
e	Пульт дистанционного управления
f	Соединительная проводка для блока и пульта дист. управления
g	Заземление

2. Подключение блока к питанию

Проведите провода питания и провод цепи управления через выбиваемые отверстия в блоке или отверстия для кабеля.

Снимите панели для обслуживания и подключите провода питания к клеммной колодке внутри блока управления, как показано на рисунке.

Для правильной фиксации проводов питания используйте кабельные стяжки, открывающиеся нажатием, которые расположены у основания блока управления.

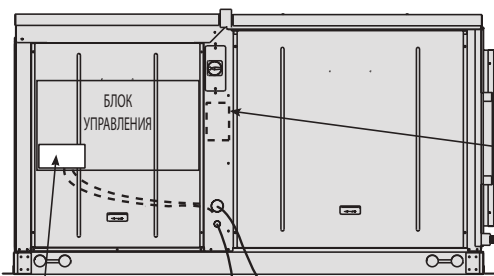
Примечание

При установке прерывателя на блок убедитесь в том, что винты не повредят элементы (например, змеевик) внутри блока.

Распределительную коробку также можно установить, не прикрепляя ее к блоку.

Выбиваемыми отверстиями оснащена только модель UATYQ250; модель UATYQ350, UATYQ450, UATYQ550, UATYQ600, UATYQ700 & UATYQ900 оснащена отверстием для кабеля питания.

UATYQ250



Клеммная колодка Провод цепи управления
Кабель питания (закупорьте выбиваемые отверстия после установки)

UATYQ350, 450, 550, 600, 700 & 900



Кабель питания Клеммная колодка
Провод цепи управления

Рекомендуемое положение распределительной коробки

Пример электропроводки и выбор прерывателя

Модель	Кабель питания (мм ²)	Объем прерывателя (А)	Переключатель для защиты от максимального тока (А)	Кабель заземления (мм ²)
UATYQ250	4	32	32	4
UATYQ350	6	40	40	6
UATYQ450	10	40	40	10
UATYQ550	10	50	50	10
UATYQ600	16	63	63	16
UATYQ700	25	80	80	25
UATYQ900	35	100	100	35

Примечание

Главный выключатель или другие устройства для отключения блока, которые имеют зазор между разомкнутыми контактами на всех полюсах, должны быть включены в жесткую разводку в соответствии с местными и национальными законами.

- Блок должен быть подключен непосредственно к электрическому распределительному щиту с помощью прерывателя цепи (рекомендуется) или плавкого предохранителя с большой отключающей способностью.
- Прикрепите разводку питания к модулю управления. Подключите провод управления к клеммной колодке блока управления через отверстие в блоке управления.
- Провод заземления должен быть подключен.
- Кабель питания должен как минимум соответствовать H07RN-F и он должен быть заключен в защитную трубу.
- Разъединение в питающей сети должно быть полюсным, при этом зазоры между замыкающими контактами реле должны быть не менее 3 мм.

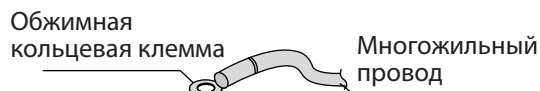


ВНИМАНИЕ

- Перед началом работы с блоком изолируйте его от источника питания.
- Электрическая проводка к данному блоку и пульту дистанционного управления устанавливается в соответствии с применимыми местными требованиями к электропроводке.

Соблюдайте указанные ниже рекомендации при подключении проводки к клеммной колодке. При работе с проводами питания соблюдайте меры предосторожности.

(Используйте обжимную кольцевую клемму для подсоединения проводов к клеммной колодке. Если по какой-либо причине ее нельзя использовать, обязательно соблюдайте следующие инструкции.)



ОСТОРОЖНО

При подключении проводки к клеммной колодке с помощью одножильного провода обязательно выполните скручивание.

Неисправная работа может вызвать нагревание и пожар.



- Потяните провод, чтобы убедиться в том, что он не отсоединяется. Затем закрепите провод на месте с помощью проволочного упора.

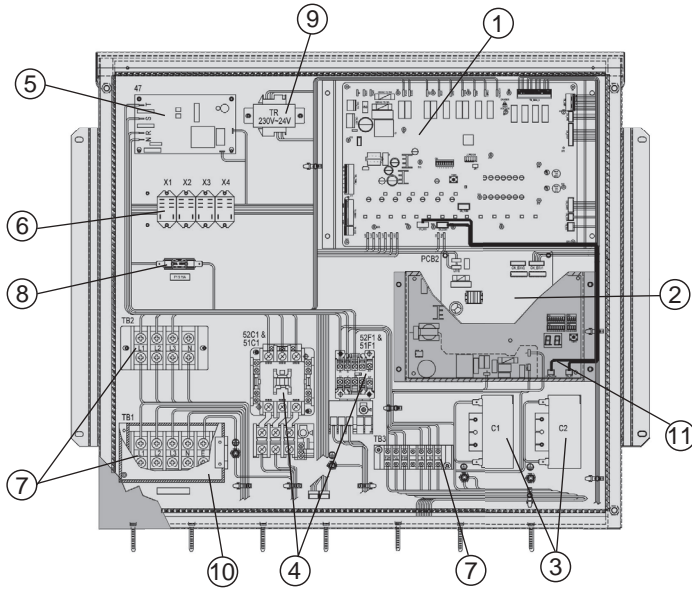


ВНИМАНИЕ

- Прокладку провода передачи следует производить на расстоянии не менее 50мм от кабеля питания.
- Провод передачи должен быть экранированным.

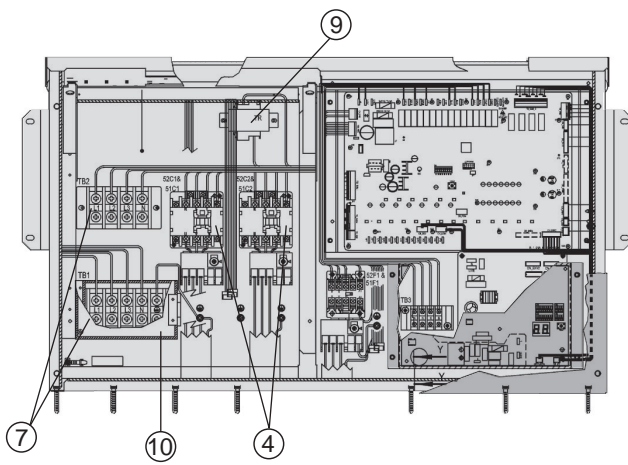
Расположение клеммных колодок и элементов контроллера показано на рисунке внизу:

A Модуль управления UATYQ250

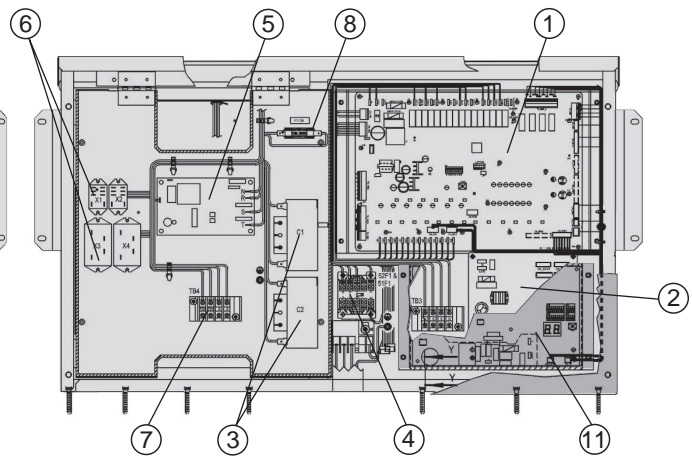


№	Описание детали
1	Главный пульт управления
2	Плата контроллера EXV
3	Конденсатор
4	Замыкатель
5	Фазовый Предохранитель
6	Реле
7	Клеммная колодка
8	Предохранитель
9	Трансформатор
10	Крышка клеммного блока
11	Плата контроллера экономайзера

B Модуль управления UATYQ350/450/550

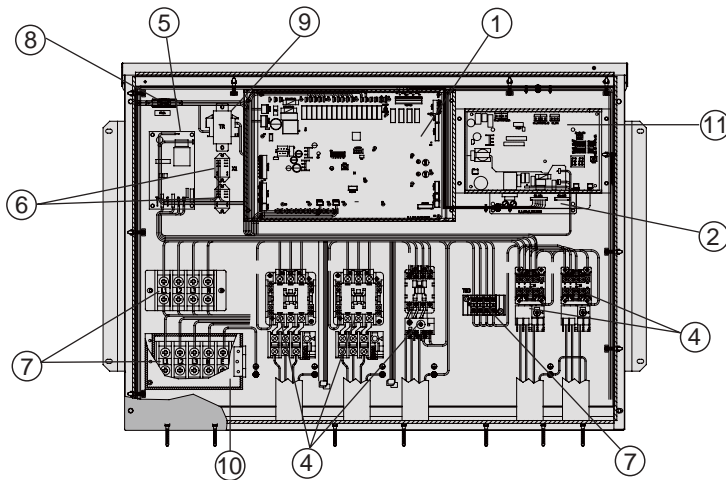


(нижний слой)



(верхний слой)

C Модуль управления UATYQ600/700/900



ВНИМАНИЕ

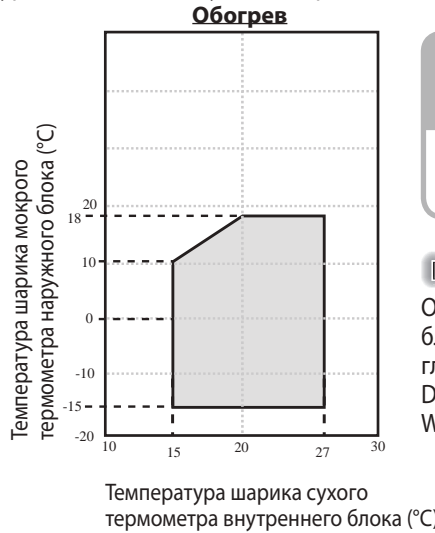
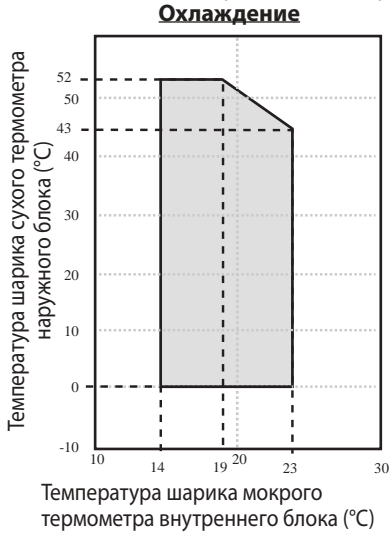
Если главный выключатель питания не отключается, клеммный блок (ТВ1) останется жить, когда изолятор выключен.

Примечание

Деталь 11 (Плата контроллера экономайзера) будет использоваться вместе с комплектом экономайзера, предоставляемого отдельно в качестве вспомогательного оборудования.

РАБОЧИЙ ДИАПАЗОН

Убедитесь в том, что рабочая температура находится в допустимых пределах, как указано на схеме внизу:



ОСТОРОЖНО

Эксплуатация кондиционера вне пределов диапазона рабочей температуры и влажности может привести к серьезной неисправности.

Примечание

Ознакомьтесь с Рабочим диапазоном для блока с опцией экономайзера в части (E)(vi) главы “ВСПОМОГАТЕЛЬНОЕ ОБОРУДОВАНИЕ”.
DB = по сухому термометру
WB = по влажному термометру

РУКОВОДСТВО ПО ОПЕРАЦИЯМ УПРАВЛЕНИЯ

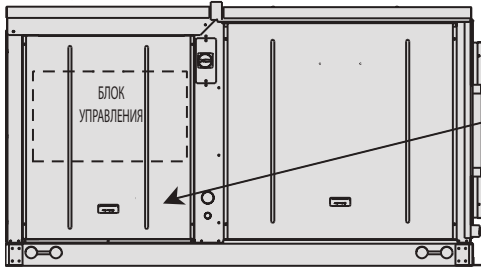
Блок оснащен главным пультом управления, а проводной пульт дистанционного управления подключается к главному пульту управления.

Все настройки блока предварительно устанавливаются производителем. Не рекомендуется изменять настройку без необходимости.

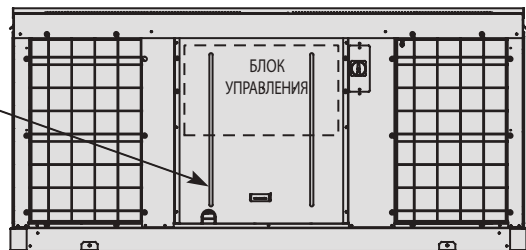
а) Расположение пульта дистанционного управления

Пульт дистанционного управления располагается на металлическом кронштейне за панелью обслуживания. Он упакован вместе с руководством по установке.

UATYQ250



UATYQ350, 450, 550, 600, 700 & 900



Снимите панель

б) Светодиодный дисплей (главный пульт управления)

При подключении блока к питанию светодиод мигает.

в) ЖК-дисплей (пульт дистанционного управления)

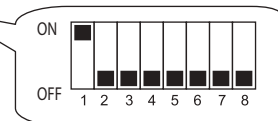
В режиме нормальной работы ЖК-дисплей показывает состояние компрессора (вкл/выкл), режим работы, заданную температуру и т. д. Более подробные сведения см. в руководстве по эксплуатации. После включения питания на ЖК-дисплее отображается главный экран. В случае сбоя в работе на ЖК-дисплее появляется всплывающее сообщение, которое сопровождается мигающей подсветкой и звуковым сигналом.

д) Дополнительные конфигурации

Главный пульт управления можно использовать в качестве интерфейса для управления термостатом и системой BMS.

(i) Управление термостатом (TB_THM-I)

- Чтобы использовать этот элемент управления, выполните следующие настройки Dip-переключателя: SW1 в положение ON (Вкл) (по умолчанию находится в положении OFF (Выкл)).
- Используйте следующую методику для настройки управления термостатом:



G	Y1	Y2	W1	W2	Режим	Операция
0	0	0	0	0	-	Блок выключен
1	0	0	0	0	Вентиляция	Внутренний вентилятор включен
X	1	0	X	X	Охлаждение	1-ступенчатый компрессор
X	1	1	X	X	Охлаждение	2-ступенчатый компрессор
X	0	X	1	0	Тепловой насос/Нагреватель	1-ступенчатый компрессор
X	0	X	1	1	Тепловой насос/Нагреватель	2-ступенчатый компрессор

Примечание: X = Не имеет значения.

- Рекомендации по установке см. в таблице ниже:

Вход	Номинальное напряжение	Номинальная сила тока	Размер провода
G	24 В перемен. тока	5мА	AWG18~22
Y1			
Y2			
W1			
W2			

Примечание

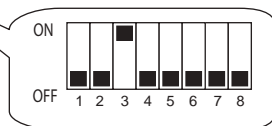
- Если главная плата контроллера сконфигурирована на управление термостатом, пульт дистанционного управления используется только для слежения.
- После каждого изменения настроек двухрядного переключателя необходимо выключить и включить блок.

(ii) BMS-контроль (TB_BMS-I)

- Чтобы использовать этот элемент управления, выполните следующие настройки Dip-переключателя: SW3 - ON (по умолчанию OFF) и параметр панели G8 на "1" (по умолчанию на "0").

Примечание

- G8 = Тип управления
- 0 = Панель
- 1 = BM
- 2 = DEC



- Для TB_BMS-I имеются 3 входных сигнала: режимы on/off (вкл/выкл); режим работы (охлаждение-0/обогрев-1); и заданное значение (4~20мА).
- Рекомендации по установке см. в таблице ниже:

Вход TB_BMS-I	Номинальное напряжение	Номинальная сила тока	Размер провода
вкл/выкл	24 В перемен. тока	5мА	AWG18~22
Режим работы	24 В перемен. тока	5мА	
Заданное значение охлаждения/ обогрева	-	4~20 мА	

Примечание

- Если главный пульт управления настроен на управление термостатом, пульт дистанционного управления используется только для слежения.
- После каждого изменения настроек двухрядного переключателя необходимо выключить и включить блок.

(iii) Выход сухого контакта (TB_BMS-O)

- Для TB_BMS-O существует 4 выходных сигнала: сигнал ошибки, сигнал1, сигнал2 и сигнал разморозки.
- Рекомендации по установке см. в таблице ниже:

Вход TB_BMS-O	Номинальное напряжение	Номинальная сила тока (А)	Размер провода
Сигнал тревоги (AL)	230 В перемен./125 В перемен./30 В пост.тока	1/3/3	AWG18~22
Сигнал1 (O1)	230 В перемен./125 В перемен./30 В пост.тока	2/3/3	
Сигнал2 (O2)	230 В перемен./125 В перемен./30 В пост.тока	3/3/3	
Сигнал разморозки (DFRT)	230 В перемен./125 В перемен./30 В пост.тока	4/3/3	

- Выходные сигналы изменяются в зависимости от конфигурации главной платы контроллера: настройка на управление термостатом или системой BMS.

(1) В таблице ниже показаны выходные сигналы для управления термостатом.

Термостат, входной сигнал (SW1-ON)					ОШИБКА	РАЗМОРОЗКА	Сигнал тревоги	Сигнал1	Сигнал2	Сигнал разморозки
G	Y1	Y2	W1	W2			(AL)	(O1)	(O2)	(DFRT)
0	0	0	0	0	X	X	X	0	0	X
1	0	0	0	0	X	X	X	0	1	X
X	1	0	X	X	X	X	X	1	0	X
X	1	1	X	X	X	X	X	1	0	X
X	0	X	1	0	X	X	X	1	1	X
X	0	X	1	1	X	X	X	1	1	X
X	X	X	X	X	1	X	1	X	X	X
X	X	X	X	X	X	1	X	X	X	1

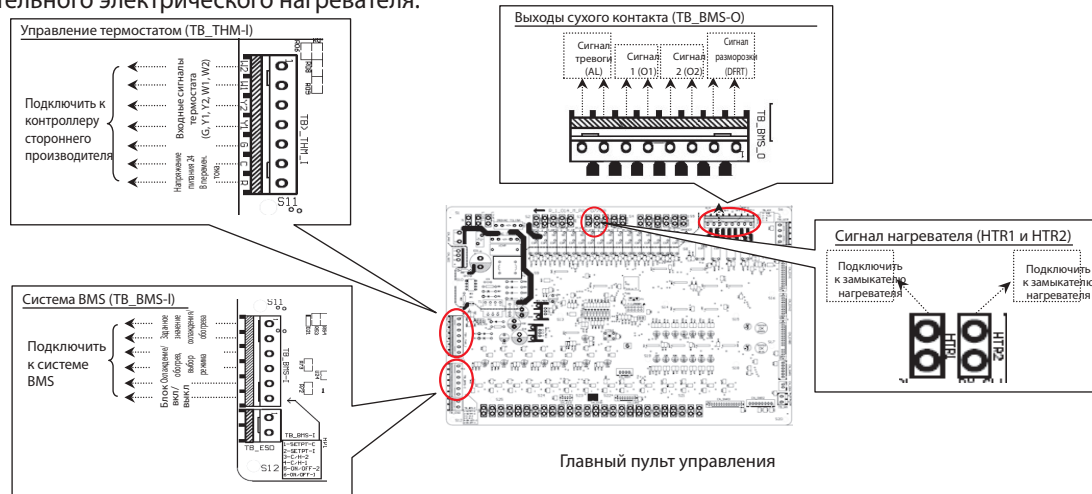
Примечание: X = Не имеет значения.

(2) В таблице ниже показаны выходные сигналы для управления системой BMS.

BMS, входной сигнал (SW3-ON)			ОШИБКА	РАЗМОРОЗКА	Сигнал тревоги	Сигнал1	Сигнал2	Сигнал разморозки
ВКЛ/ВЫКЛ	РЕЖИМ РАБОТЫ	ОХЛАЖДЕНИЕ/ОБОГРЕВ ЗАДАННОЕ ЗНАЧЕНИЕ			(AL)	(O1)	(O2)	(DFRT)
0	0	X	X	X	X	0	0	X
0	1	X	X	X	X	0	1	X
1	0	X	X	X	X	1	0	X
1	1	X	X	X	X	1	1	X
X	X	X	1	X	1	X	X	X
X	X	X	X	1	X	X	X	1

Примечание: X = Не имеет значения.

В схеме ниже показано расположение клеммных блоков на главной плате контроллера, использующихся для управления терморегулятором и для системы BMS. Кроме того, в таблице также указаны выходные контакты для вспомогательного электрического нагревателя.



(iv) Выходы для вспомогательного электрического нагревателя (HTR1 и HTR2)

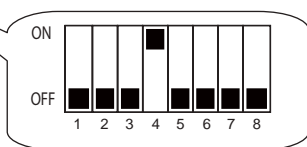
- На главном пульте управления находится два выходных контакта (HTR1 и HTR2), которые используются для питания замыкателя нагревателя. Чтобы обеспечить безопасную работу, необходимо выбрать соответствующий замыкатель.
- Нагреватель должен быть установлен в соответствии с местными и национальными законами. Он должен соответствовать стандарту EN60335-2-40.
- На нагревателе должен быть установлен один или несколько плавких предохранителей, чтобы предотвратить опасность или повреждение нагревателя или блока. Это особенно важно в случае сбоев в работе главного пульта управления или нагнетателя воздуха.
- Нагреватель должен быть установлен в безопасном месте, где он не будет представлять угрозу для блока.
- Нагреватель должен соединяться с блоком с помощью огнестойкого трубопровода.
- Используйте отдельный источник питания для электрического нагревателя и установите прерыватель для каждого нагревателя.
- Максимальная температура в блоке не должна превышать 60°C. Температуру необходимо измерять во время установки ввода оборудования в эксплуатацию, чтобы убедиться в том, что температура не превышает это значение.
- Выберите соответствующее защитное устройство или тепловую защиту.
- Запрещается устанавливать нагреватель внутри блока. Рекомендуется устанавливать нагреватель внутри подающей трубы, где расстояние до нагревателя будет достаточным, чтобы температура внутри блока не превышала 60°C.

(v) Управление экономайзером

- Перед активацией функции экономайзера на главной плате контроллера следует убедиться, что комплект экономайзера установлен в крышный кондиционер. В противном случае возможно возникновение ошибки.
- Для активации функции экономайзера установите настройку Dip-переключателя: SW4 - ON (настройка по умолчанию - OFF) на главной плате контроллера, а параметр панели G6 на '1' (настройка по умолчанию '0').

Примечание

G6 = Управление экономайзером
0 = выключено
1 = включено.



- На плате контроллера экономайзера имеется 4 Dip-переключателя и 3 шунтовых джампера, обеспечивающих гибкий выбор на основании различных требований:
 - Dip-переключатель 1: Минимальная настройка отверстия приточного воздуха в режиме обогрева, в котором различные установки отверстия достигаются посредством выбора различных штырьков. SW1: 5%, SW2: 10%, SW3: 15%, SW4: 20%, SW5: 25%, SW6/7/8: нет функции, настройка по умолчанию: 0% (нет выбора, все OFF).
 - Dip-переключатель 2: Минимальная настройка отверстия приточного воздуха в режиме охлаждения, в котором различные установки отверстия достигаются посредством выбора различных штырьков. SW1: 0%, SW2: 5%, SW3: 15%, SW4: 20%, SW5: 25%, SW6/7/8: нет функции, настройка по умолчанию: 10% (нет выбора, все OFF).
 - Dip-переключатель 3: Выбор порогового значения уровня CO₂ PPM, в котором различные значения настройки достигаются посредством выбора различных штырьков. SW1: 25%, SW2: 50%, SW3: 75%, SW4: 100%, Настройка по умолчанию: 0% (нет выбора, все OFF).
 - Dip-переключатель 4: Тип операции, которая включает следующий выбор:
 - SW1: OFF = Управление дифференциальной температурой (настройка по умолчанию), ON = На данный момент нет функционирования.
 - SW2: OFF = Режим экономайзера (настройка по умолчанию), ON = Режим приточного воздуха.
 - SW3: OFF = Защита от переохлаждения активирована (настройка по умолчанию), ON = Защита от переохлаждения не активирована.

Шунтовый джампер 1, 2 и 3: Минимальная настройка отверстия приточного воздуха в режиме вентиляции, в котором различные установки отверстия достигаются посредством выбора различных штырьков. Присвойте имя шунтовому джамперу 1 = JP1, шунтовому джамперу 2 = JP2 и шунтовому джамперу 3 = JP3; для выбора различных положений джампера для отверстия приточного воздуха смотри таблицу ниже:-

Отверстие приточного воздуха (%)	JP1	JP2	JP3
0 (настройка по умолчанию)	OFF	OFF	OFF
10	OFF	OFF	ON
20	OFF	ON	OFF
30	OFF	ON	ON
40	ON	OFF	OFF
50	ON	OFF	ON
70	ON	ON	OFF
85	ON	ON	ON

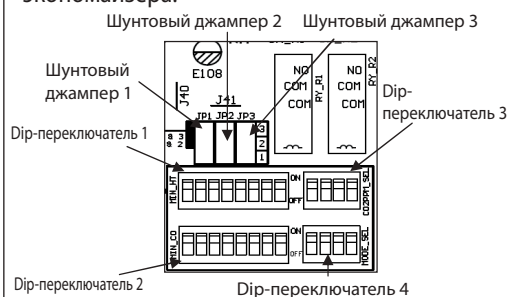
Условные обозначения: OFF = Короткий штырек 2 и штырек 3
ON = Короткий штырек 1 и штырек 2



ОСТОРОЖНО

Dip-переключатель 1, 2 и 3 позволяют выбрать только 1 штырек. Выбор нескольких штырьков приведет к возникновению ошибки и операция вернется к настройке по умолчанию. Тем не менее Dip-переключатель 4 позволяет сделать выбор нескольких штырьков.

Расположение dip-переключателей и шунтовых джамперов на плате контроллера экономайзера:

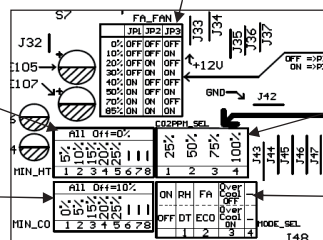


Обозначения на плате контроллера экономайзера:

Обозначения для значений выбора для шунтового джампера 1, 2 и 3.

Обозначения для значений выбора для Dip-переключателя 1.

Обозначения для значений выбора для Dip-переключателя 2.



Обозначения для значений выбора для Dip-переключателя 3.

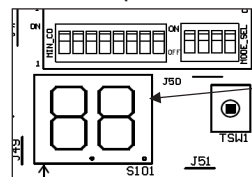
Обозначения для значений выбора для Dip-переключателя 4.

- На плате контроллера экономайзера имеется два светодиодных индикатора - зеленый и красный. Зеленый светодиодный индикатор мигает, когда включена плата контроллера экономайзера. Красный светодиодный индикатор мигает при возникновении ошибки (ок). Смотри коды ошибок и их значения в таблице ниже:-

Код ошибки	Неисправность
F0	Дефектный/неисправный актуатор приточного воздуха
F1	Дефектный/неисправный актуатор возвратного воздуха
F2	Ошибка коммуникации
F3	Датчик CO ₂ замкнут
F4	Датчик CO ₂ разомкнут
F5	Датчик приточного воздуха RH замкнут
F6	Датчик приточного воздуха RH разомкнут
F7	Датчик возвратного воздуха RH замкнут
F8	Датчик возвратного воздуха RH разомкнут
F9	Включение актуатора защиты
FA	Выбор нескольких штырьков Dip-переключателя 1, 2 или 3

Примечание

Коды ошибок будут показаны на семи сегментном дисплее на плате контроллера экономайзера.



Семи сегментный дисплей

Примечание

При возникновении ошибки (ок) и невозможности устранить неисправностей для их обнаружения и устранения обращайтесь к официальному местному дилеру/ специалисту по техническому обслуживанию. Тем не менее, все ошибки, возникающие в плате контроллера экономайзера, никоим образом не влияют на нормальную работу кондиционера, устанавливаемого на крыше.

Примечание действительна только для Турции: срок службы нашей продукции в десять (10) лет

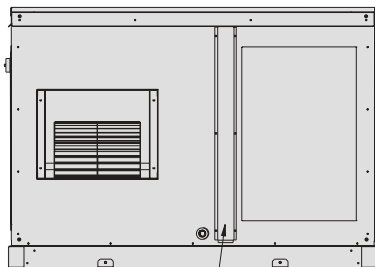
ОБСЛУЖИВАНИЕ ФИЛЬТРА

- Уберите налипшую на фильтр пыль с помощью пылесоса или промойте его в теплой воде (ниже 40°C) с нейтральным моющим средством.
- Хорошо прополоскайте и высушите фильтр перед установкой его обратно в блок.
- Не используйте бензиновые, легкоиспаряющиеся вещества или химические средства для очистки фильтра.
- Очищайте фильтр не реже одного раза в 2 недели. Можно очищать фильтр чаще по мере необходимости.

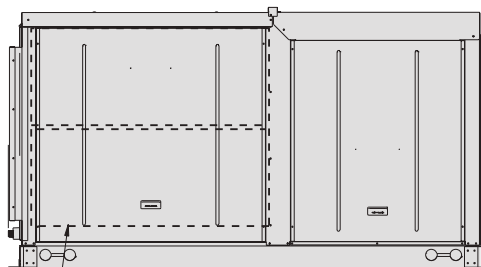
Положение фильтра

Фильтры устанавливаются перед внутренним теплообменником.

На схеме показана модель UATYQ250. Для других моделей используется аналогичный способ.

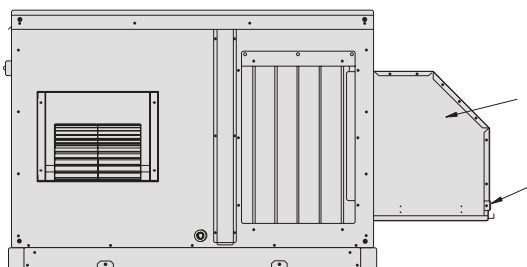


Снимите крышку фильтра для обслуживания фильтра.



Также для технического обслуживания фильтра можно снять боковую панель.

Для блока, устанавливаемого вместе с комплектом экономайзера, имеется дополнительный фильтр, который монтируется на нижней части защитного кожуха от дождя. На схеме показан кондиционер UATYQ250 + комплект экономайзера (монтируется на месте). Для других моделей используется аналогичный способ.



Защитный кожух от дождя (монтируется на месте)

Для проведения технического обслуживания фильтра снимите крышку фильтра, расположенную на защитном кожухе от дождя.



ОСТОРОЖНО

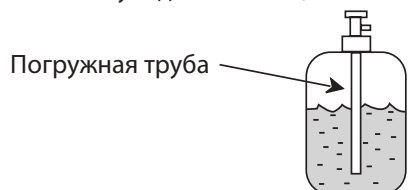
Во избежание утечек воды после проведения технического обслуживания убедитесь, что фильтр установлен правильно и крышка фильтра надежно закреплена винтами. При необходимости для обеспечения водонепроницаемости на крышке фильтра и защитном кожухе от дождя нанесите герметик, устойчивый к атмосферным воздействиям.

РУССКИЙ

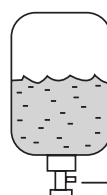
ОТКАЧКА ВОЗДУХА И ЗАПРАВКА

Блоки, монтируемые на крыше, предварительно заряжаются достаточным количеством хладагента на заводе. Однако при проведении технического обслуживания может возникнуть необходимость в дозаправке хладагента. Для обеспечения оптимальной и бесперебойной работы системы необходимо соблюдать некоторые меры предосторожности:

- Необходимо тщательно откачать из системы весь несжимаемый газ и влагу.
- Используйте вакуумный насос только для хладагента R410A. Использование этого вакуумного насоса для других хладагентов может повредить вакуумный насос или блок.
- Запрещается выпускать хладагент непосредственно в окружающую среду.
- Во время заправки R410A убедитесь в том, что из баллона или контейнера поступает только жидкость.



Погружная труба



Опрокинутый цилиндр без погружной трубы

Отвод жидкости

Обычно баллон или контейнер с R410A оснащается погружной трубкой для отбора жидкости. Если погружная трубка отсутствует, переверните баллон или контейнер, чтобы отбирать жидкость через клапан внизу.



ОСТОРОЖНО

- Хладагент R410A необходимо заряжать в жидком виде. Обычно баллон с R410A оснащается погружной трубкой для отбора жидкости. Если погружная трубка отсутствует, переверните баллон, чтобы отбирать жидкий R410A через клапан.
- Не доливайте хладагент в случае утечки, так как это влияет на производительность блока. Тщательно откачайте хладагент, а затем заправьте свежий хладагент R410A в количестве, указанном в спецификациях.

МЕРЫ ПО УСТРАНЕНИЮ

С любыми вопросами по поводу запасных частей обращайтесь, пожалуйста, к уполномоченному дилеру. В случае обнаружения сбоев в работе блока кондиционера проверьте следующие условия и причины неисправностей, чтобы получить простые советы по устранению неисправностей.

Проблема	Причины	Действия
Блок не работает.	<ul style="list-style-type: none"> ● Нет питания. ● Перегорел плавкий предохранитель или разомкнулся прерыватель цепи. ● Неправильно подключены фазы электропроводки. 	<ul style="list-style-type: none"> ▶ ● Нажмите [ON/OFF], когда питание будет восстановлено. ▶ ● Замените плавкий предохранитель или произведите сброс прерывателя цепи. ▶ ● Поменяйте фазы местами.
Компрессор не включился через 3 минуты после запуска блока.	<ul style="list-style-type: none"> ● Защита от частого включения. 	<ul style="list-style-type: none"> ▶ ● Подождите 3 минуты до запуска компрессора.
Слабый поток воздуха.	<ul style="list-style-type: none"> ● Фильтр засорен пылью и грязью. ● Что-то блокирует отверстие для подачи или выпуска воздуха. 	<ul style="list-style-type: none"> ▶ ● Прочистите фильтр. ▶ ● Устраните препятствия.
Компрессор работает постоянно.	<ul style="list-style-type: none"> ● Засорение воздушного фильтра. ● Слишком низкая температура (для охлаждения). ● Слишком высокая температура (для обогрева). 	<ul style="list-style-type: none"> ▶ ● Прочистите воздушный фильтр. ▶ ● Произведите сброс температуры.
В режиме охлаждения не поступает холодный воздух, в режиме обогрева не поступает горячий воздух.	<ul style="list-style-type: none"> ● Слишком высокая температура (для охлаждения). ● Слишком низкая температура (для обогрева). 	<ul style="list-style-type: none"> ▶ ● Установите более низкую температуру. ▶ ● Установите более высокую температуру.
В режиме обогрева воздух не поступает (UATYQ250). Или подаваемый воздух недостаточно теплый (UATYQ350/450/550/600/700/900).	<ul style="list-style-type: none"> ● Блок работает в режиме разморозки. 	<ul style="list-style-type: none"> ▶ ● Подождите немного. (Он возобновит нормальную работу после завершения разморозки.)

Если неисправность не удастся устранить, обратитесь к уполномоченному местному дилеру или в сервисный центр.

КОМПЛЕКТ ЭКОНОМАЙЗЕРА

А Введение

Комплект экономайзера является дополнительным оборудованием, предоставляемым заводом-изготовителем. Его монтаж осуществляется на месте. Комплект экономайзера совместим с моделями крышных кондиционеров, работающих на хладагенте R410A. Если Вы не уверены, что данный комплект может использоваться с Вашим кондиционером, обратитесь в официальную службу технического обслуживания. При подходящих показателях температуры наружного воздуха комплект экономайзера позволяет осуществлять 'свободное' охлаждение посредством подмеса воздуха из внешней среды к рециркуляционному воздуху. Охлаждение с использованием экономайзера может использоваться как отдельно, так и вместе с механическим охлаждением. Кроме того, комплект экономайзера может использоваться для подачи вентиляционного воздуха, что улучшает качество воздуха в помещении. Правильный выбор комплекта экономайзера является очень важным моментом. Для этого ознакомьтесь с рекомендациями по выбору комплекта, представленными в таблице ниже:

№	Крышный кондиционер	Комплект экономайзера, совместимый с крышным кондиционером
1	UATYQ250	ECONO250
2	UATYQ350	ECONO350
3	UATYQ450	ECONO450
4	UATYQ550	ECONO550
5	UATYQ600	ECONO600
6	UATYQ700	ECONO700
7	UATYQ900	ECONO900

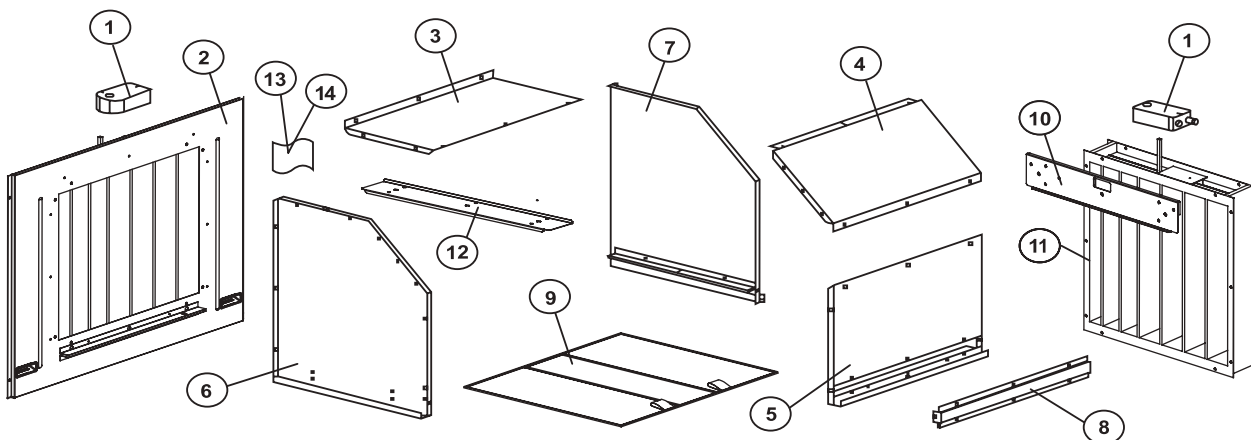
Примечание

Неправильный выбор комплекта может привести к тому, что его монтаж на крышном кондиционере будет невозможен.

В Предмонтажная проверка

(i) Содержимое комплекта экономайзера

Перед установкой извлеките комплект экономайзера из упаковки и проверьте его содержимое. В комплект входят следующие компоненты:

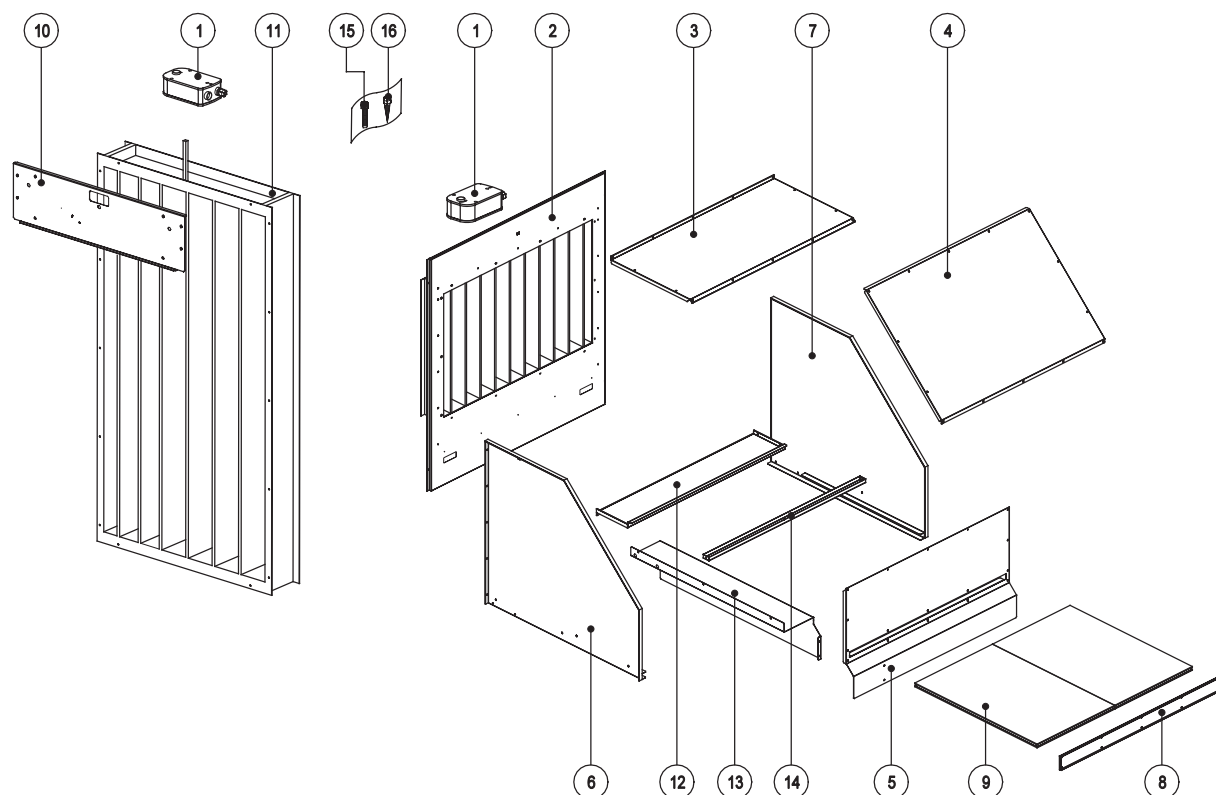


№	Описание детали	Количество (набор)
1	Привод Belimo, LF24-SR	2
2	Боковая панель с заслонкой на входе наружного воздуха	1
3	Защитный кожух, верхняя панель	1
4	Защитный кожух, центральная панель	1
5	Защитный кожух, нижняя панель	1
6	Защитный кожух, левая боковая панель	1
7	Защитный кожух, правая боковая панель	1

№	Описание детали	Количество (набор)
8	Крышка фильтра	1
9	Фильтр	1
10	Опорный кронштейн заслонки на возврате воздуха	1
11	Заслонка на возврате воздуха	1
12	Опорный кронштейн, нисходящий сброс	1
13	Винт, M5x16	55
14	Винт, M4x12	4

* Поддерживающий кронштейн, нижняя часть (деталь 12) недоступна в ECONO700.

(ii) **Содержимое комплекта экономайзера UATY900**



№	Описание детали	Количество (набор)
1	Привод Belimo, LF24-SR	2
2	Боковая панель с заслонкой на входе наружного воздуха	1
3	Защитный кожух, верхняя панель	1
4	Защитный кожух, центральная панель	1
5	Защитный кожух, передняя панель	1
6	Защитный кожух, левая боковая панель	1
7	Защитный кожух, правая боковая панель	1
8	Крышка фильтра	1

№	Описание детали	Количество (набор)
9	Фильтр	1
10	Опорный кронштейн заслонки на возврате воздуха	1
11	Заслонка на возврате воздуха	1
12	Защитный кожух, нижняя панель	1
13	Фланец, воздух Защитный кожух 1	1
14	Поддержка Фильтр	1
13	Винт, M5x16	97
16	Винт, M4x12	4

Примечание

При обнаружении повреждений или некомплектности вспомогательного оборудования обратитесь в официальную службу технического обслуживания.

(iii) **Зазоры блока**

После монтажа комплекта на блоке необходимо обеспечить наличие достаточного пространства для свободной циркуляции потока воздуха, осуществления технического обслуживания и прокладки электропроводки. Наличие препятствий для воздушного потока в этом месте недопустимо. Ознакомьтесь с частью (F) главы “УСТАНОВКА БЛОКА” данного руководства. Невыполнение данного требования может привести к ослаблению воздушного потока или возникновению неисправности в кондиционере.

(iv) Место установки

Следуйте рекомендациям, представленным в части (А) главы “УСТАНОВКА БЛОКА” данного руководства. Кроме того, необходимо принять во внимание условия установки вокруг комплекта:

- В пространстве между защитным кожухом от дождя и полом не должно быть снега или скопления воды.
- Отверстие впуска приточного воздуха должно быть ориентировано таким образом, чтобы не попадать под воздействие господствующего направления ветров.
- Подаваемый наружный воздух должен быть всегда чистым, не иметь запаха, соответствовать норме по предельным показателям концентрации для отдельных загрязняющих веществ, установленной местными стандартами, а также не превышать предельно допустимую концентрацию (ПДК) для токсичных веществ, определенных местными стандартами.

(v) Функция заслонки

Проверьте две заслонки, входящие в комплект экономайзера, детали 2 и 11, поворачивая вал заслонки на +90° и -90° (от полного открытия до полного закрытия или наоборот). Поворот заслонки должен быть плавным и легким. Об обнаружении любых повреждений или дефектов следует сообщить в официальную службу технического обслуживания.

C Инструменты и материалы, необходимые для установки

- | | |
|----------------------------------------------|--------------------------------------------------------------------------|
| (i) Электрическая отвертка с набором насадок | (vii) Разводной ключ (небольшого размера) |
| (ii) Электрическая дрель с набором насадок | (viii) Монтажный лом и молоток |
| (iii) Небольшая прямощицевая отвертка | (ix) Герметик, устойчивый к атмосферным воздействиям (такой как силикон) |
| (iv) Ножницы | (x) Сальник |
| (v) Крестовая отвертка типа Phillips | (xi) Блокировочная бирка безопасности |
| (vi) Рулетка или линейка | (xii) Кабельная стяжка |

D Руководство по установке

(i) Боковая возвратная (горизонтальная) подача воздуха

ШАГ 1

- Отключите подачу электропитания к блоку и перед выполнением монтажа, пуска или технического обслуживания экономайзера установите блокировочную бирку безопасности. Подготовьте все необходимые инструменты, указанные выше.

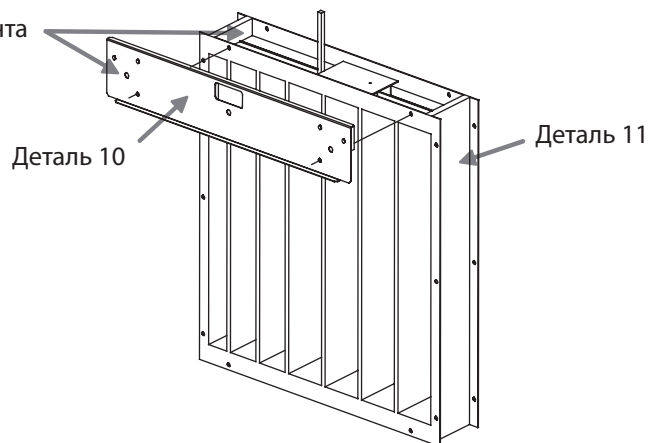
ШАГ 2

- Откройте деревянный ящик комплекта экономайзера с помощью лома и молотка. Затем с помощью ножниц откройте полиэтиленовые пакеты с запасными и крепежными деталями. Выполните предустановочную проверку, как указано выше.

ШАГ 3

- Прикрепите опорный кронштейн заслонки на возврате воздуха (деталь 10) к заслонке на возврате воздуха (деталь 11) с помощью винта M5x16 (деталь 13), предоставляемого вместе с комплектом.

Прикрепите с помощью винта
деталь 10 к детали 11



ШАГ 4

- Установите 1 привод Belimo LF24-SR (деталь 1) с маркировкой “RA” на заслонку возврата воздуха (деталь 11). Выровняйте и вставьте вал заслонки в отверстие привода.



ОСТОРОЖНО 1

Стандартной настройкой для заслонки на возврате воздуха (деталь 11) является настройка, в которой она полностью открыта. Перед монтажом привода убедитесь, что эта заслонка находится в положении “полностью открыта”. Невыполнение данного требования приведет к возникновению ошибок во время штатного функционирования кондиционера.

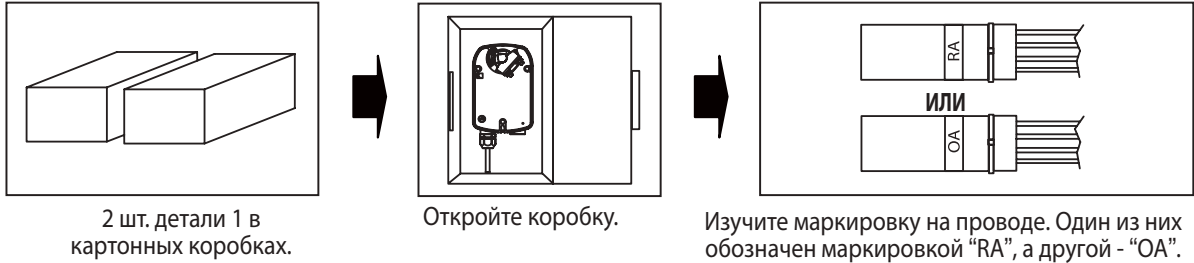


ОСТОРОЖНО 2

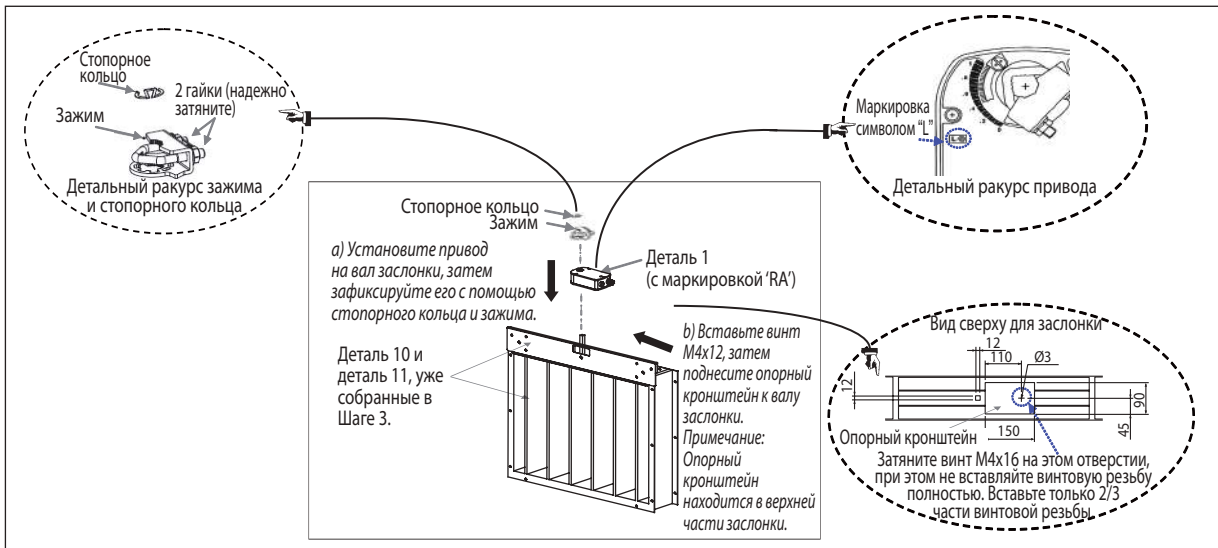
В целях обеспечения вращения модуля привода в направлении по часовой стрелке поверхность привода, обращенная кверху/ наружу, должна быть маркирована символом “L”. Невыполнение данного требования приведет к возникновению ошибок во время работы кондиционера в функции экономайзера.

Примечание

В комплекте экономайзера в картонных коробках поставляются 2 привода Belimo LF24-SR (деталь 1). Откройте коробки и изучите маркировку на проводе. Привод, используемый в шаге 4, имеет маркировку "RA".



- Затем затяните на опорном кронштейне заслонки 1 винт M4x12 (деталь 14). Не следует полностью вставлять винтовую резьбу. Вставьте только 2/3 уасти винтовой резьбы. Установите привод на опорном кронштейне, приблизив опорный кронштейн к валу заслонки. Функция винта M4x12 – фиксация привода для предотвращения его скольжения во время модуляции.
- Затем установите зажим в вал и зафиксируйте привод с помощью стопорного кольца. Надежно затяните гайки зажима с помощью разводного гаечного ключа. Примечание: зажим и стопорное кольцо являются стандартными деталями и поставляются вместе с приводом. Вы можете найти их в упаковочном ящике привода.



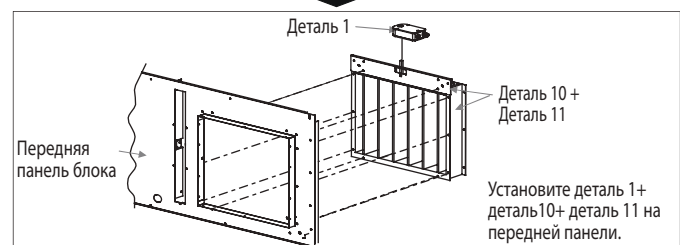
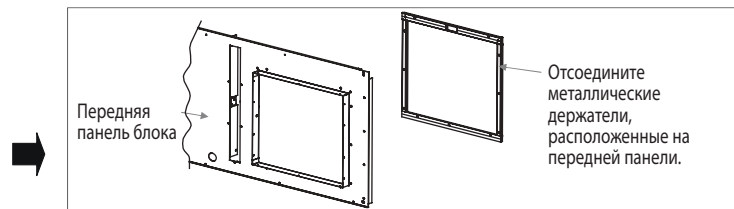
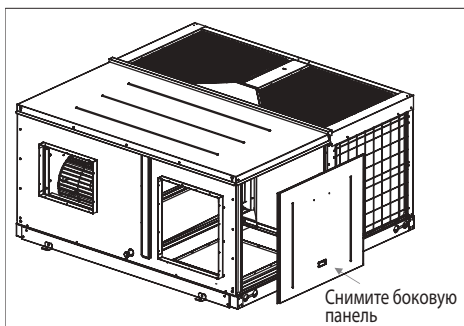
ШАГ 5

- Снимите боковую панель. Затем отсоедините 3 металлических держателя, расположенные на передней панели. Установите заслонку на возврате воздуха (деталь 11) + опорный кронштейн заслонки на возврате воздуха (деталь 10) + привод Belimo LF24-SR (деталь 1), которые уже были собраны на передней панели блока с помощью тех же отверстий для винтов в ходе выполнения действий шага 3 и 4. Для затягивания используйте винт M5x16 (деталь 13).



ОСТОРОЖНО

Переместите датчик температуры потока рециркуляционного воздуха, расположенный внутри блока (над отверстием рециркуляционного воздуха) к наружной поверхности блока. Это можно сделать, проложив провода датчика через небольшие отверстия на опорном кронштейне заслонки на возврате воздуха (деталь 10). Теперь при использовании кабельных стяжек (приобретаются на месте) Вы сможете правильно расположить датчик внутри воздушного всасывающего канала. Невыполнение данного требования может оказать влияние на эксплуатационные характеристики и вызвать температурный дискомфорт потребителей.



ШАГ 6

- Установите 1 привод Belimo LF24-SR (деталь 1) с маркировкой "OA" на боковую панель с заслонкой на входе наружного воздуха (деталь 2). Выровняйте и вставьте вал заслонки в отверстие привода.



ОСТОРОЖНО 1

Стандартной настройкой для заслонки на входе наружного воздуха (деталь 2) является настройка, в которой она полностью закрыта. Перед монтажом привода убедитесь, что эта заслонка находится в положении "полностью закрыта". Невыполнение данного требования приведет к возникновению ошибок во время штатного функционирования кондиционера.

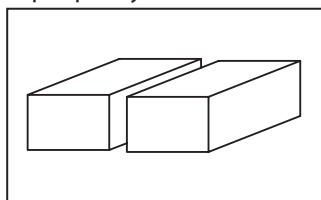


ОСТОРОЖНО 2

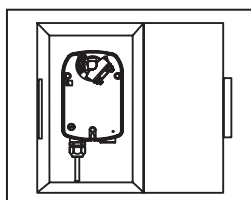
В целях обеспечения вращения модуляции привода в направлении против часовой стрелки поверхность привода, обращенная кверху/наружу, должна быть маркирована символом "R". Невыполнение данного требования приведет к возникновению ошибок во время работы кондиционера в функции экономайзера.

Примечание

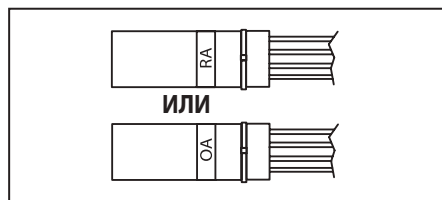
В комплекте экономайзера в картонных коробках поставляются 2 привода Belimo LF24-SR (деталь 1). Откройте коробки и изучите маркировку на приводе. Привод, используемый в шаге 6, имеет маркировку "OA".



2 шт. детали 1 в картонных коробках.

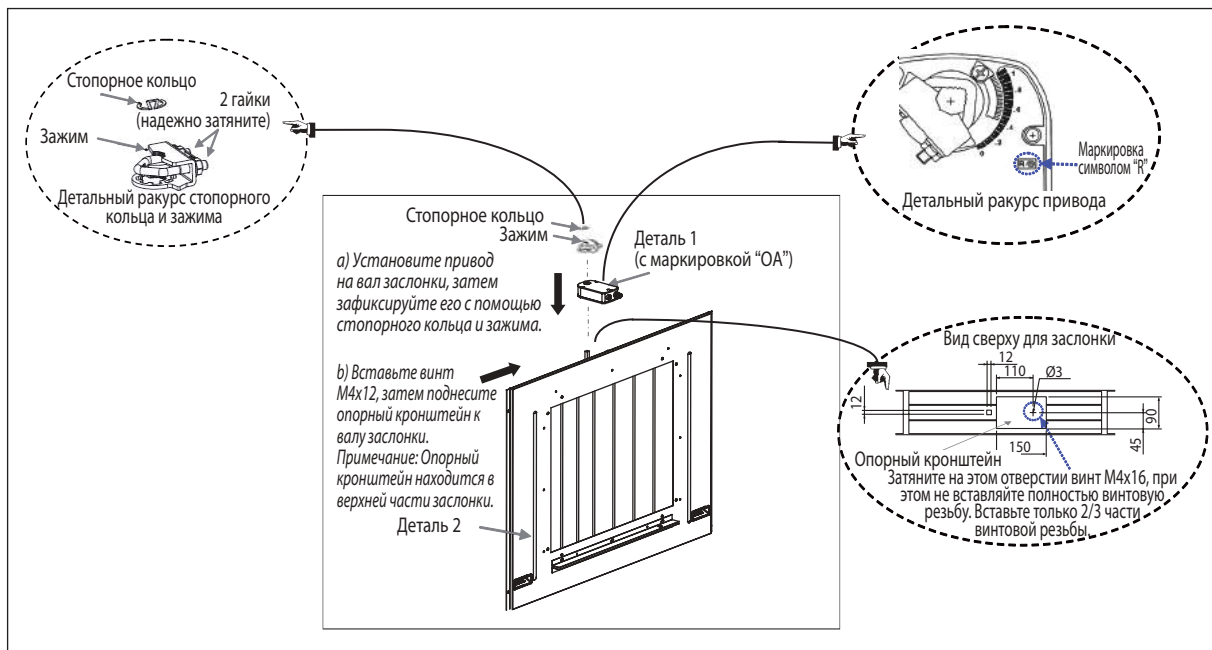


Откройте коробку.



Изучите маркировку на приводе. Один из них обозначен маркировкой "RA", а другой - "OA".

- Затем затяните на опорном кронштейне заслонки 1 винт M4x12 (деталь 14). Не следует полностью вставлять винтовую резьбу. Вставьте только 2/3 винтовой резьбы. Установите привод на опорном кронштейне, приблизив опорный кронштейн к валу заслонки. Функция винта M4x12 – фиксация привода для предотвращения его скольжения во время модуляции.
- Затем установите зажим в вал и зафиксируйте привод с помощью стопорного кольца. Надежно затяните гайки зажима с помощью разводного гаечного ключа. Примечание: зажим и стопорное кольцо являются стандартными деталями и поставляются вместе с приводом. Вы можете найти их в упаковочном ящике привода.

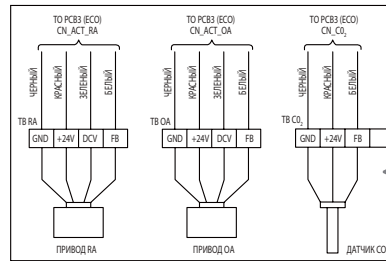


ШАГ 7

- Подключите привод Belimo LF24-SR (деталь 1) с маркировкой "RA", который теперь расположен на собранной на передней панели заслонке, к клеммному блоку с маркировкой "RA", расположенному внутри соединительной клеммной коробки.
- На приводе имеется четыре провода разного цвета (черный, красный, зеленый и белый). Выполните подключение проводов, как указано ниже:

- Провод черного цвета - подсоедините к первому полюсу клеммного блока с маркировкой "GND".
- Провод красного цвета - подсоедините ко второму полюсу клеммного блока с маркировкой "+24V".
- Провод зеленого цвета - подсоедините к третьему полюсу клеммного блока с маркировкой "DCV".
- Провод белого цвета - подсоедините к четвертому полюсу клеммного блока с маркировкой "FB".

(Вы можете свериться с наклейкой, содержащей схему проводки, расположенной на передней крышке соединительной клеммной коробки.)



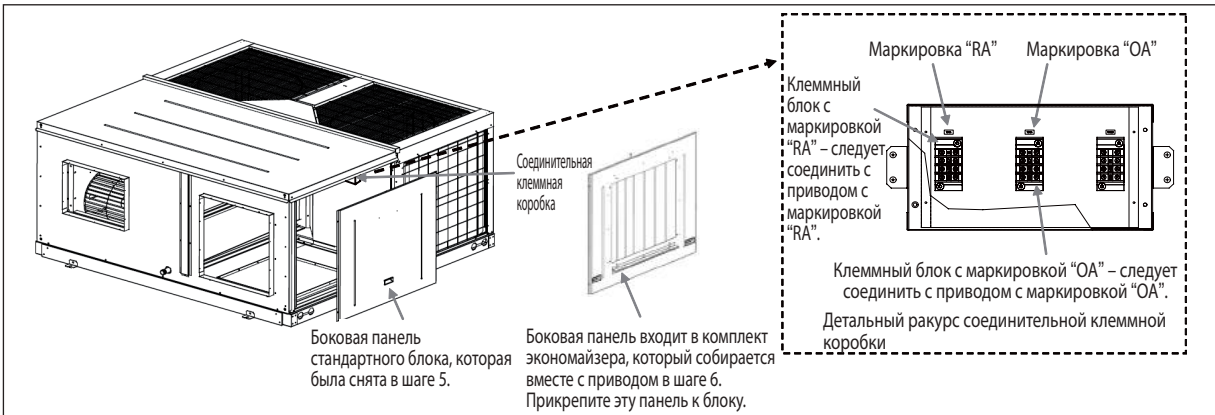
Наклейка со схемой проводки на передней крышке соединительной клеммной коробки



ОСТОРОЖНО

Неправильное подсоединение проводов может привести к нарушению функционирования привода или платы контроллера экономайзера, или сбою в работе обоих устройств. Соедините провода с помощью разъемных кабельных стяжек под соединительной клеммной коробкой.

- Затем подключите привод Belimo LF24-SR (деталь 1) с маркировкой "OA", который теперь расположен на собранной на боковой панели заслонке, к клеммному блоку с маркировкой "OA", расположенному внутри той же соединительной клеммной коробки. При подсоединении проводов следуйте тому же принципу, который использовался при соединении проводки между приводом "RA" и клеммным блоком "RA". Затем прикрепите боковую панель к блоку. Перед тем, как прикрепить боковую панель к блоку, возможно, потребуется упорядочить с помощью кабельных стяжек (приобретаются на месте) расположение проводов привода.

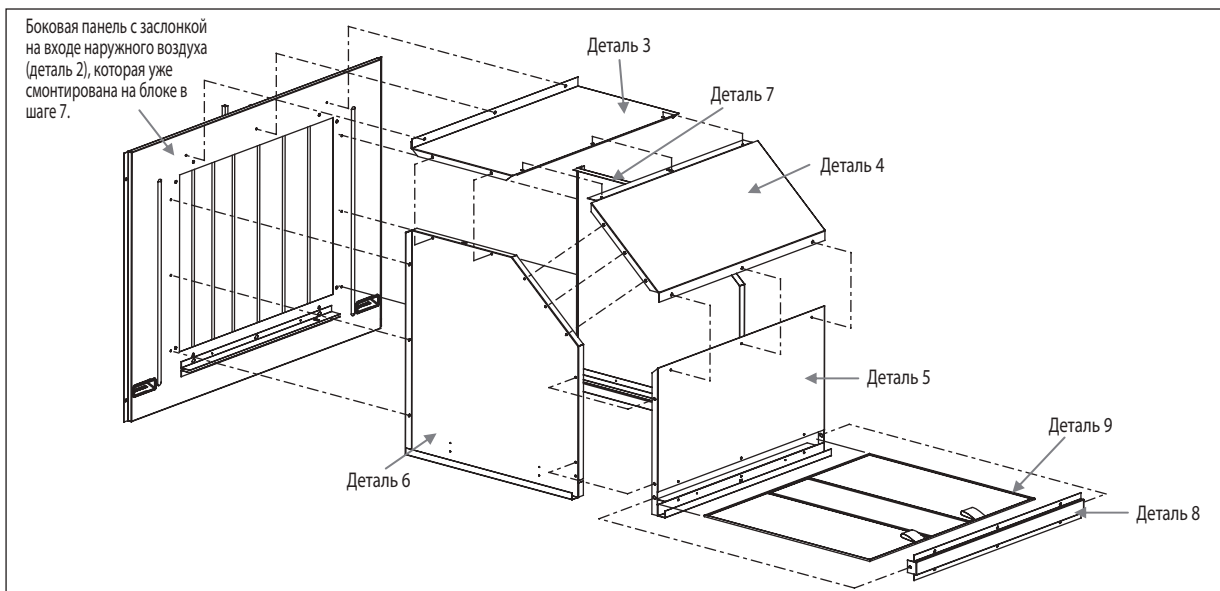


ШАГ 8

- Для сборки защитного кожуха от дождя установите на боковой панели отдельные съемные детали (металлические детали). Перед этим в целях герметизации разместите на боковой панели сальник (приобретается на месте).
- Для сборки защитного кожуха соблюдайте последовательность по установке деталей, представленную ниже:

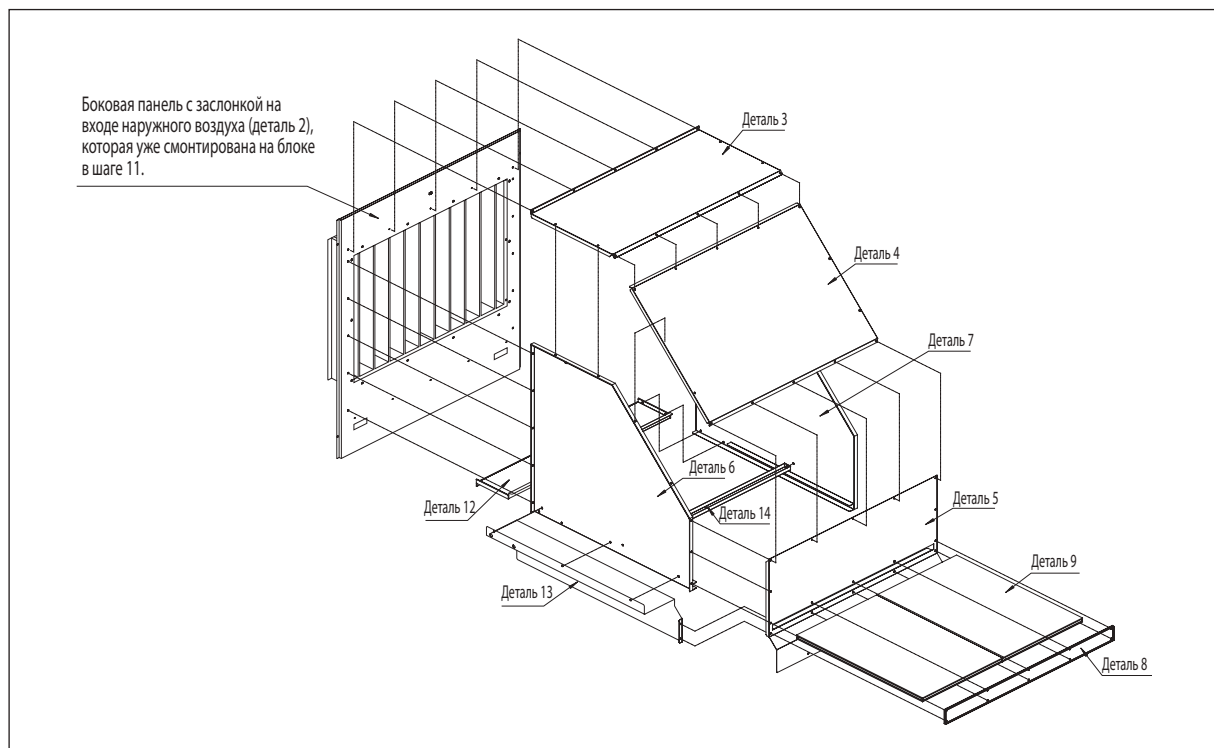
Модель: UATYQ 250, 350, 450, 550, 600, 700

Сальник
 Деталь 2 -----> Деталь 6 -----> Деталь 7 -----> Деталь 3 -----> Деталь 4 -----> Деталь 5 -----> Деталь 9 -----> Деталь 8 -----> Герметик



Модель: UATYQ 900

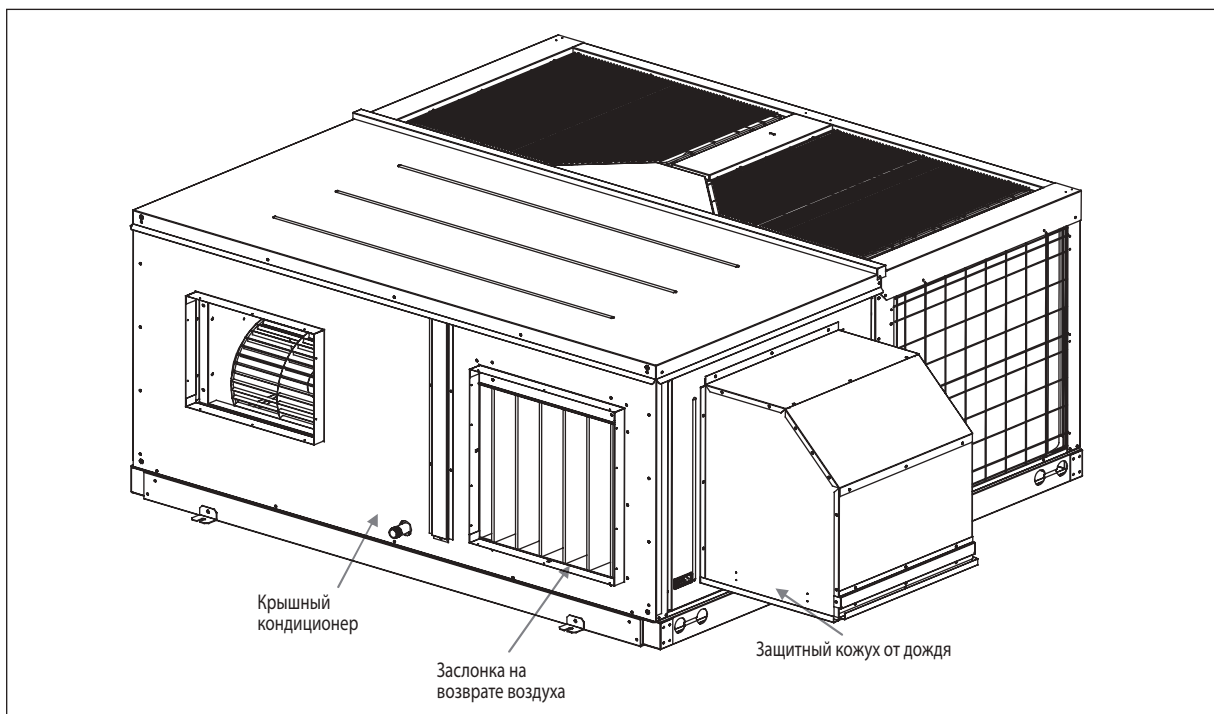
Сальник
Деталь 2-----> Деталь 6-----> Деталь 7-----> Деталь 12-----> Деталь 14-----> Деталь 5-----> Деталь 4-----> Деталь 3-----> Деталь 13-----> Деталь 9-----> Деталь 8-----> Герметик



- Для обеспечения водонепроницаемости покрытия защитного кожуха от дождя рекомендуется обработать все соединения и щели герметиком, устойчивым к атмосферным воздействиям (таким как силикон, материал приобретается на месте).

ШАГ 9

- В итоге блок с комплектом экономайзера будет выглядеть, как на схеме, представленной ниже:



Примечание

На схемах шагов 1-9 представлен кондиционер модели UATYQ350. Для других моделей используется аналогичный способ.

На схемах шагов 1-10 представлен кондиционер модели UATYQ900. Для других моделей используется аналогичный способ.

(ii) **Нижняя возвратная (вертикальная) подача воздуха**

ШАГ 1

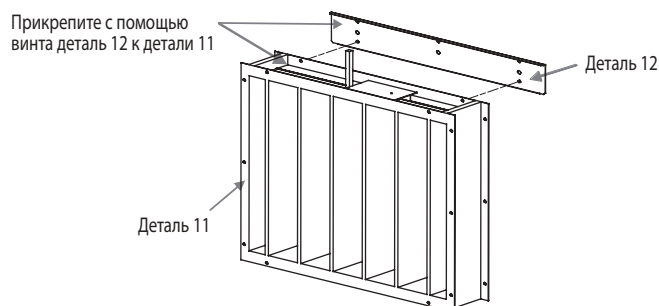
- Отключите подачу электропитания к блоку и перед выполнением монтажа, пуска или технического обслуживания экономайзера установите блокировочную бирку безопасности. Подготовьте все необходимые инструменты, указанные выше.

ШАГ 2

- Откройте деревянный ящик комплекта экономайзера с помощью лома и молотка. Затем с помощью ножниц откройте полиэтиленовые пакеты с запасными и крепежными деталями. Выполните предустановочную проверку, как указано выше.

ШАГ 3

- Прикрепите опорный кронштейн нижней подачи воздуха (деталь 12) к заслонке на возврате воздуха (деталь 11) с помощью винта M5x16 (элемент 13), предоставляемого вместе с комплектом.



Примечание

Поддерживающий кронштейн, нижняя часть (деталь 12) недоступна в ECONO 700 & 900. При установке комплекта экономайзера для этой модели пропустите шаг 3 и перейдите к шагу 4.

ШАГ 4

- Установите 1 привод Belimo LF24-SR (деталь 1) на заслонку возврата воздуха (деталь 11). Выровняйте и вставьте вал заслонки в отверстие привода.



ОСТОРОЖНО 1

Стандартной настройкой для заслонки на возврате воздуха (деталь 11) является настройка, в которой она полностью открыта. Перед монтажом привода убедитесь, что эта заслонка находится в положении "полностью открыта". Невыполнение данного требования приведет к возникновению ошибок во время штатного функционирования кондиционера.

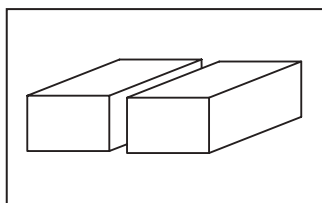


ОСТОРОЖНО 2

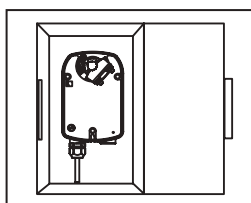
В целях обеспечения вращения модуля привода в направлении по часовой стрелке поверхность привода, обращенная кверху/ наружу, должна быть маркирована символом "L". Невыполнение данного требования приведет к возникновению ошибок во время работы кондиционера в функции экономайзера.

Примечание

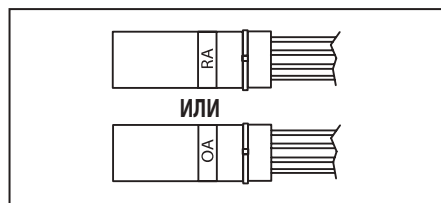
В комплекте экономайзера в картонных коробках поставляются 2 привода Belimo LF24-SR (деталь 1). Откройте коробки и изучите маркировку на проводе. Привод, используемый в шаге 4, имеет маркировку "RA".



2 шт. детали 1 в картонных коробках.

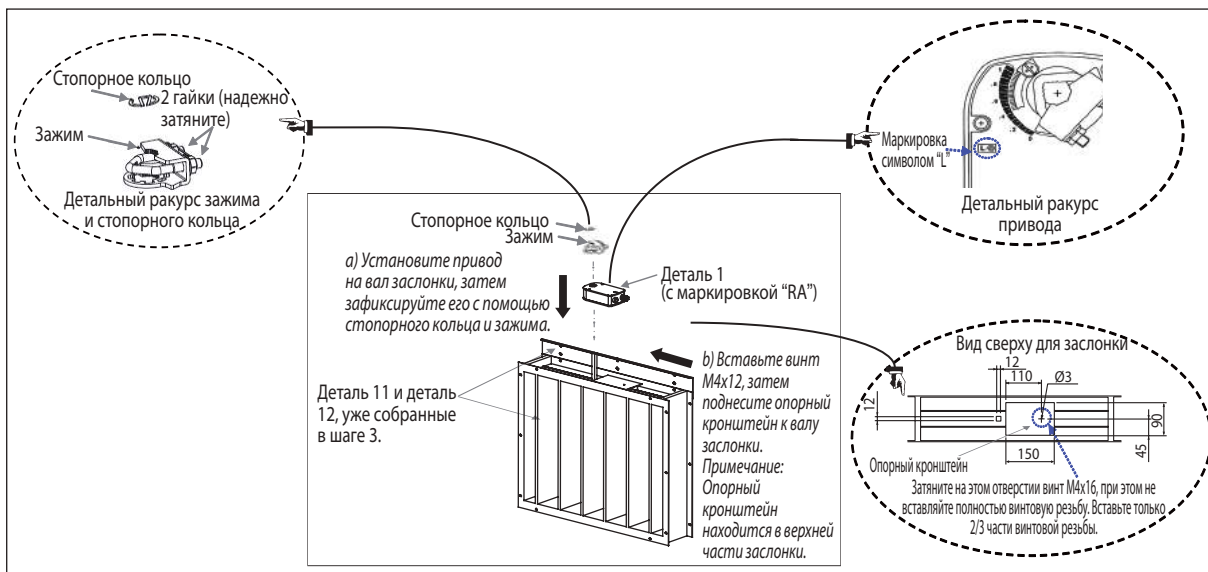


Откройте коробку.



Изучите маркировку на проводе. Один из них обозначен маркировкой "RA", а другой - "OA".

- Затем затяните на опорном кронштейне заслонки 1 винт M4x12 (деталь 14). Не следует полностью вставлять винтовую резьбу. Вставьте только 2/3 винтовой резьбы. Установите привод на опорном кронштейне, приблизив опорный кронштейн к валу заслонки. Функция винта M4x12 – фиксация привода для предотвращения его скольжения во время модуляции.
- Затем установите зажим в вал и зафиксируйте привод с помощью стопорного кольца. Надежно затяните гайки зажима с помощью разводного гаечного ключа. Примечание: зажим и стопорное кольцо являются стандартными деталями и поставляются вместе с приводом. Вы можете найти их в упаковочном ящике привода.



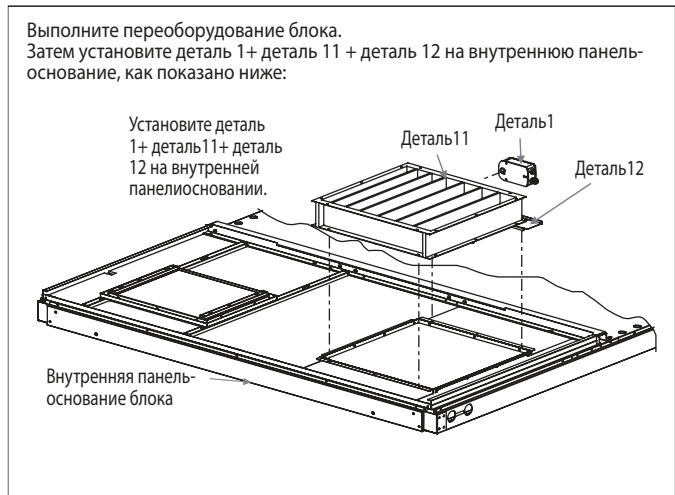
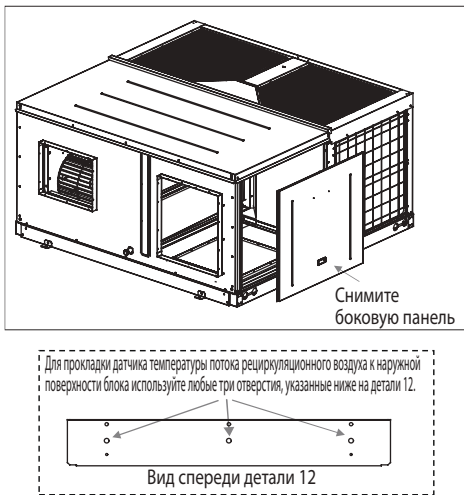
ШАГ 5

- Снимите боковую панель. Выполните переоборудование блока из стандартного в блок с нижней подачей воздуха, следуя действиям, указанным в части (G) главы "УСТАНОВКА БЛОКА" данного руководства.
- Затем установите заслонку возвратного воздуха (деталь 11) + опорный кронштейн нижней подачи воздуха (деталь 12) + привод Belimo LF24-SR (деталь 1), которые уже были собраны в ходе выполнения действий шага 3 и 4 на внутренней панели-основании блока с помощью винта M5x16 (деталь 13).



ОСТОРОЖНО 2

Переместите датчик температуры потока рециркуляционного воздуха, расположенный внутри блока (над отверстием рециркуляционного воздуха) к наружной поверхности блока. Это можно сделать, проложив провода датчика через небольшие отверстия на опорном кронштейне нижней подачи воздуха (деталь 12). Теперь при использовании кабельных стяжек (приобретаются на месте) Вы сможете правильно расположить датчик внутри воздушного всасывающего канала. Невыполнение данного требования может оказать влияние на эксплуатационные характеристики и вызвать температурный дискомфорт потребителей. Для моделей ECON0700 и UATYQ700 прокладка датчика может быть выполнена через маленькое отверстие, расположенное на металлической кромке нижней части отверстия рециркуляционного воздуха.



ШАГ 6

- Установите 1 привод Belimo LF24-SR (деталь 1) на боковую панель с заслонкой на входе наружного воздуха (деталь 2). Выровняйте и вставьте вал заслонки в отверстие привода.



ОСТОРОЖНО 1

Стандартной настройкой для заслонки на входе наружного воздуха (деталь 2) является настройка, в которой она полностью закрыта. Перед монтажом привода убедитесь, что эта заслонка находится в положении "полностью закрыта". Невыполнение данного требования приведет к возникновению ошибок во время штатного функционирования кондиционера.

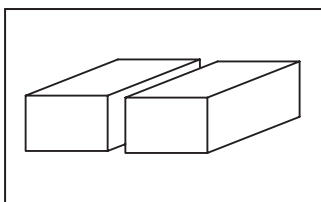


ОСТОРОЖНО 2

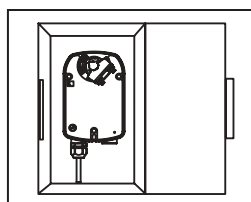
В целях обеспечения вращения модуляции привода в направлении против часовой стрелки поверхность привода, обращенная кверху/наружу, должна быть маркирована символом "R". Невыполнение данного требования приведет к возникновению ошибок во время работы кондиционера в функции экономайзера.

Примечание

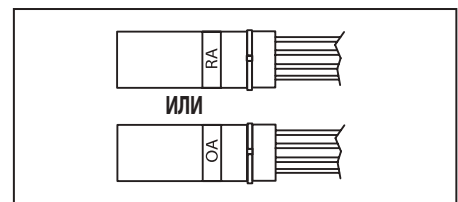
В комплекте экономайзера в картонных коробках поставляются 2 привода Belimo LF24-SR (деталь 1). Откройте коробки и изучите маркировку на проводе. Привод, используемый в шаге 6, имеет маркировку "OA".



2 шт. детали 1 в картонных коробках.

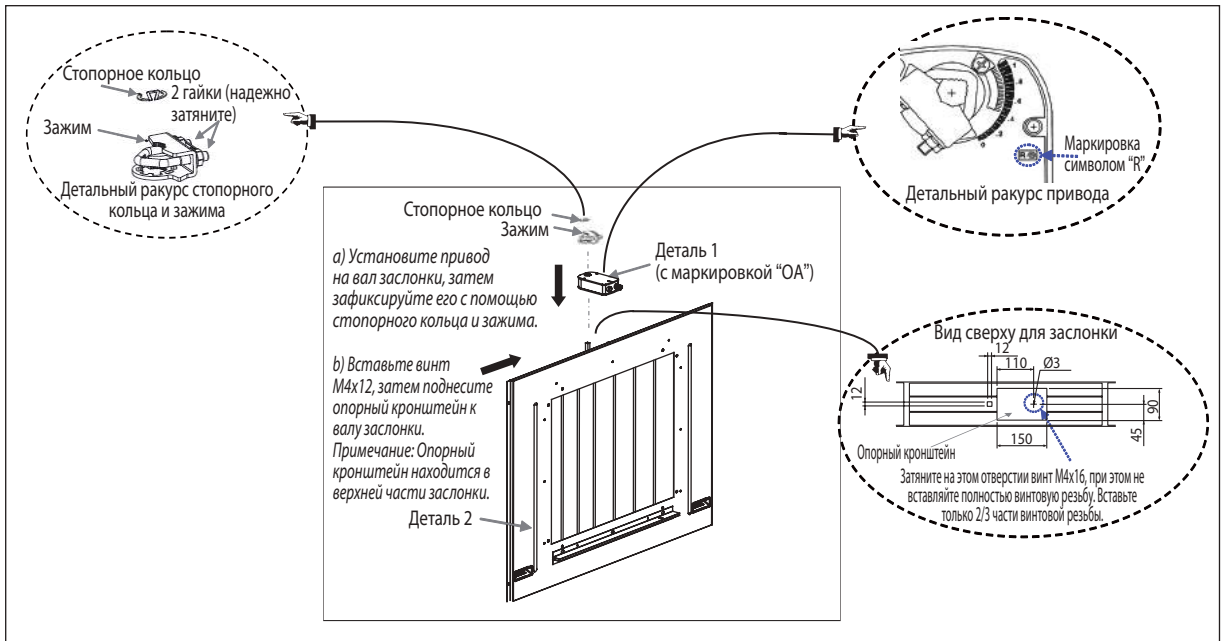


Откройте коробку.



Изучите маркировку на проводе. Один из них обозначен маркировкой "RA", а другой - "OA".

- Затем затяните на опорном кронштейне заслонки 1 винт M4x12 (деталь 14). Не следует полностью вставлять винтовую резьбу. Вставьте только 2/3 винтовой резьбы. Установите привод на опорном кронштейне, приблизив опорный кронштейн к валу заслонки. Функция винта M4x12 – фиксация привода для предотвращения его скольжения во время модуляции.
- Затем установите зажим в вал и зафиксируйте привод с помощью стопорного кольца. Надежно затяните гайки зажима с помощью разводного гаечного ключа. Примечание: зажим и стопорное кольцо являются стандартными деталями и поставляются вместе с приводом. Вы можете найти их в упаковочном ящике привода.

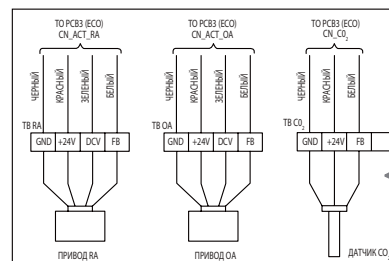


ШАГ 7

- Подключите привод Velimo LF24-SR (деталь 1) с маркировкой 'RA', который теперь расположен на собранной на внутренней панели-основании заслонке, к клеммному блоку с маркировкой 'RA', расположенному внутри соединительной клеммной коробки.
- На приводе имеется четыре провода разного цвета (черный, красный, зеленый и белый). Выполните подключение проводов, как указано ниже:

- Провод черного цвета - подсоедините к первому полюсу клеммного блока с маркировкой "GND".
- Провод красного цвета - подсоедините ко второму полюсу клеммного блока с маркировкой "+24V".
- Провод зеленого цвета - подсоедините к третьему полюсу клеммного блока с маркировкой "DCV".
- Провод белого цвета - подсоедините к четвертому полюсу клеммного блока с маркировкой "FB".

(Вы можете свериться с наклейкой, содержащей схему проводки, расположенной на передней крышке соединительной клеммной коробки.)



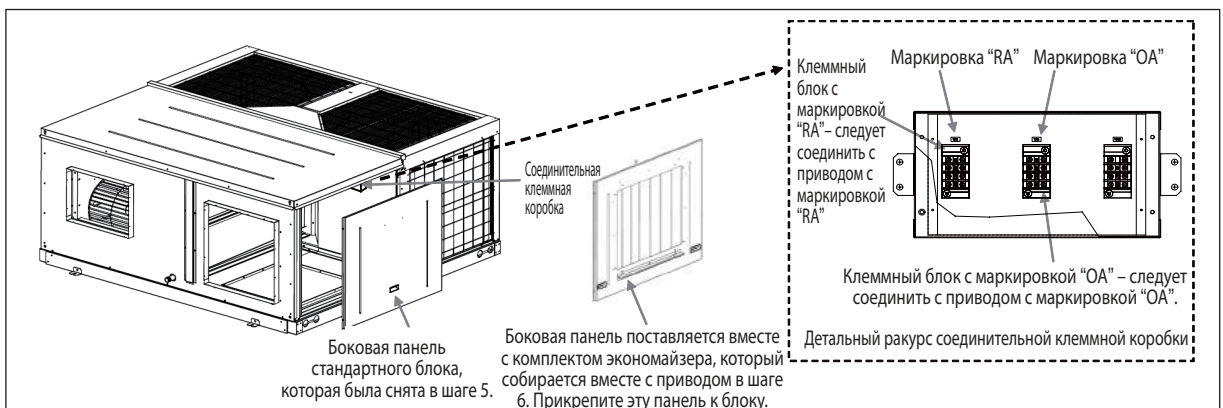
Наклейка со схемой проводки на передней крышке соединительной клеммной коробки



ОСТОРОЖНО

Неправильное подсоединение проводов может привести к нарушению функционирования привода или платы контроллера экономайзера, или сбою в работе обоих устройств. Соедините провода с помощью разъемных кабельных стяжек под соединительной клеммной коробкой.

- Затем подключите привод Velimo LF24-SR (деталь 1) с маркировкой "OA", который теперь расположен на собранной на боковой панели заслонке, к клеммному блоку с маркировкой "OA", расположенному внутри той же соединительной клеммной коробки. При подсоединении проводов следуйте тому же принципу, который использовался при соединении проводки между приводом "RA" и клеммным блоком "RA". Затем прикрепите боковую панель к блоку. Перед тем, как прикрепить боковую панель к блоку, возможно, потребуется упорядочить с помощью кабельных стяжек (приобретаются на месте) расположение проводов привода.

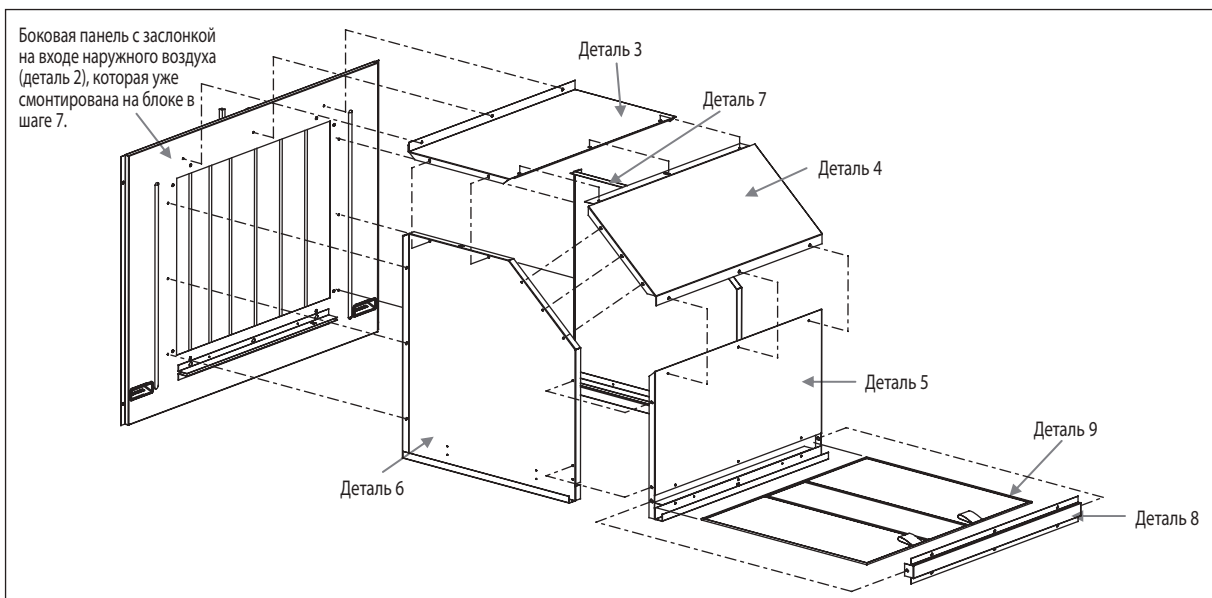


ШАГ 8

- Для сборки защитного кожуха от дождя установите на боковой панели отдельные съемные детали (металлические детали). Перед этим в щелях герметизации разместите на боковой панели сальник (приобретается на месте).
- Для сборки защитного кожуха соблюдайте последовательность по установке деталей, представленную ниже:

Модель: UATYQ 250, 350, 450, 550, 600, 700

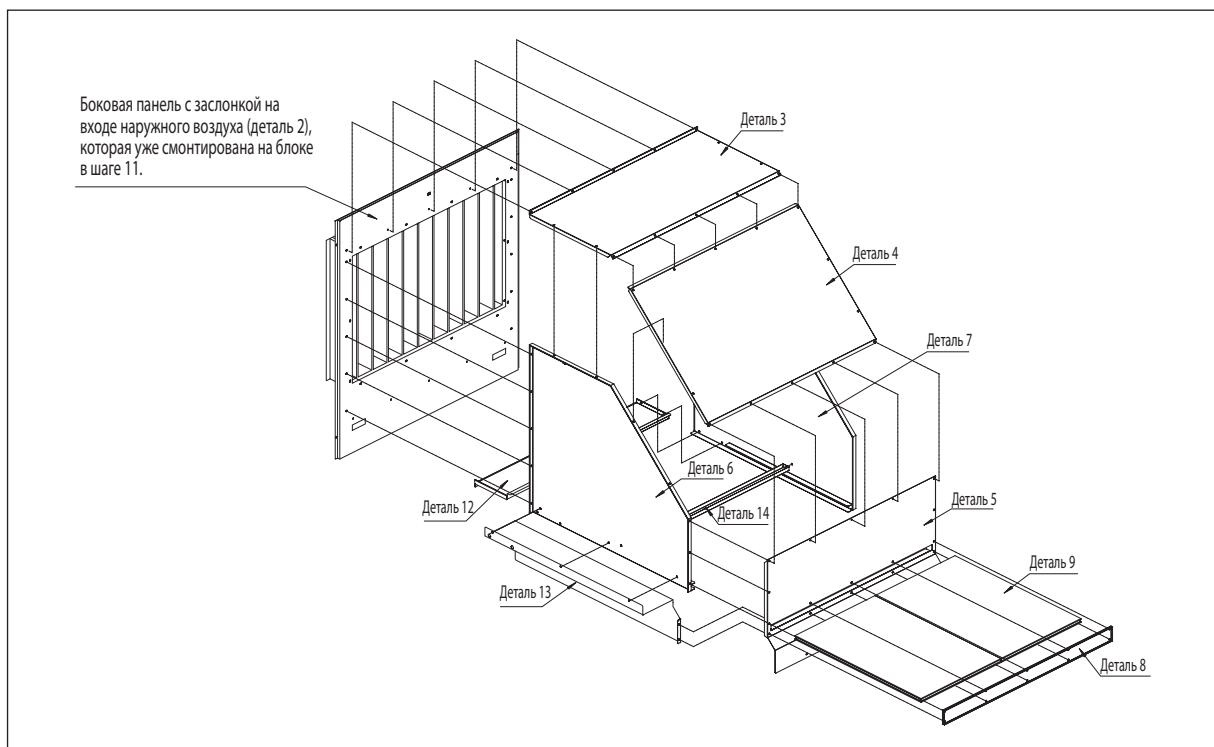
Сальник
Деталь 2 -----> Деталь 6 -----> Деталь 7 -----> Деталь 3 -----> Деталь 4 -----> Деталь 5 -----> Деталь 9 -----> Деталь 8 -----> Герметик



- Для обеспечения водонепроницаемости покрытия защитного кожуха от дождя рекомендуется обработать все соединения и щели герметиком, устойчивым к атмосферным воздействиям (таким как силикон, материал приобретается на месте).

Модель: UATYQ 900

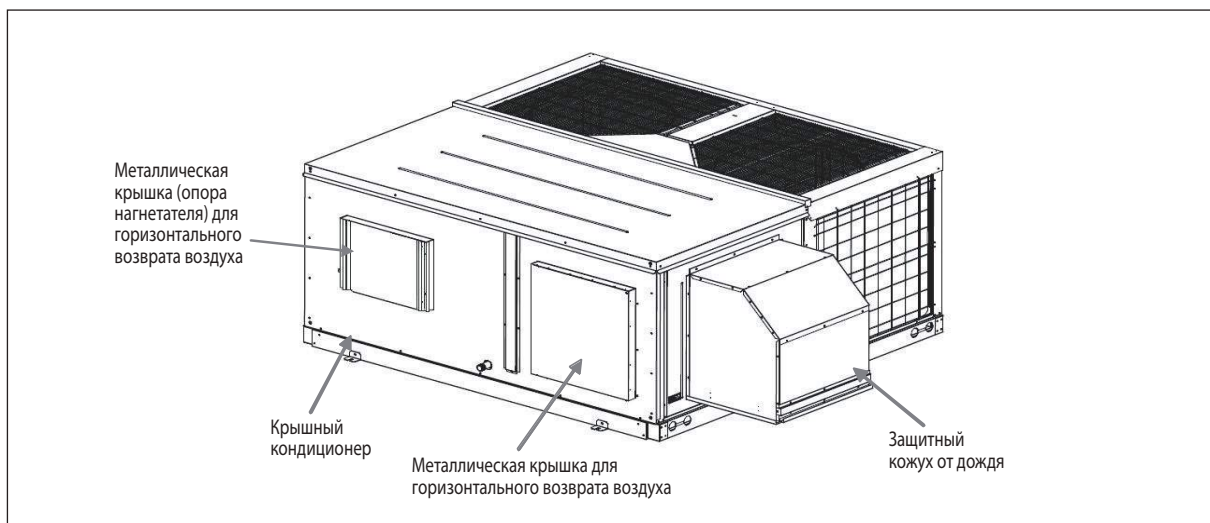
Сальник
Деталь 2 -----> Деталь 6 -----> Деталь 7 -----> Деталь 12 -----> Деталь 14 -----> Деталь 5 -----> Деталь 4 -----> Деталь 3 -----> Деталь 13 -----> Деталь 9 -----> Деталь 8 -----> Герметик



- Для обеспечения водонепроницаемости покрытия защитного кожуха от дождя рекомендуется обработать все соединения и щели герметиком, устойчивым к атмосферным воздействиям (таким как силикон, материал приобретается на месте).

ШАГ 9 & ШАГ 10 (применимы только UATYQ900).

- В итоге блок с комплектом экономайзера будет выглядеть, как на схеме, представленной ниже:
- Если для осуществления нижней подачи воздуха требуется крышный короб, ознакомьтесь с рекомендациями, представленными в части (С) главы "УСТАНОВКА БЛОКА" данного руководства.



Примечание

На схемах шагов 1-9 представлен кондиционер модели UATYQ350. Для других моделей используется аналогичный способ.

На схемах шагов 1-10 представлен кондиционер модели UATYQ900. Для других моделей используется аналогичный способ.

Е Пуск

(i) **Сопrotивление воздушного потока**

Сопrotивление воздушного потока связано с перепадом давления, возникающим вследствие использования комплекта экономайзера. Для правильного выбора проектного решения перед установкой рекомендуется свериться с таблицей перепада давления, представленной в Сборнике технической документации.

(ii) **Настройка эксплуатационных характеристик**

При работе блока в режиме свежего воздуха, что зависит от выбора потребителя, эксплуатационные характеристики блока ухудшатся. Для правильного выбора проектного решения перед установкой рекомендуется свериться с таблицей корректирующих факторов, представленной в Сборнике технической документации.

(iii) **Выбор режима**

Обычно комплект предоставляет возможность выбора двух режимов – Режим экономайзера и Режим свежего воздуха.

- Режим экономайзера: При подходящих показателях температуры наружного воздуха обеспечивает 'свободное' охлаждение. Может использоваться отдельно или совместно с механическим охлаждением.
- Режим свежего воздуха: Обеспечивает минимальную подачу свежего воздуха, необходимого для вентиляции или удовлетворения локальных потребностей.

Примечание

Для выбора режима ознакомьтесь с рекомендациями по настройке оборудования, представленными в части (D) (v) главы "ИНСТРУКЦИИ ПО РАБОТЕ С ОРГАНАМИ УПРАВЛЕНИЯ" данного руководства.

(iv) **Выбор минимальной подачи свежего воздуха**

Комплект предоставляет возможность выбора минимальной подачи свежего воздуха от 0~25% как для режима охлаждения, так и для режима нагрева. В режиме экономайзера и вентилирования комплект может обеспечивать подачу до 85% свежего воздуха.

Примечание

Для выбора значения минимальной подачи свежего воздуха ознакомьтесь с рекомендациями по настройке оборудования, представленными в части (D) (v) главы "ИНСТРУКЦИИ ПО РАБОТЕ С ОРГАНАМИ УПРАВЛЕНИЯ" данного руководства.

(v) **Функция защиты от переохлаждения**

При низкой температуре внешнего воздуха в результате открытия заслонки на входе наружного воздуха может возникнуть температурный дискомфорт. Этой ситуации можно избежать при активировании функции защиты от переохлаждения.

Примечание

Для активирования настройки защиты от переохлаждения ознакомьтесь с рекомендациями по настройке оборудования, представленными в части (D) (v) главы "ИНСТРУКЦИИ ПО РАБОТЕ С ОРГАНАМИ УПРАВЛЕНИЯ" данного руководства.

(vi) **Диапазон рабочих характеристик**

К блоку с экономайзером применяется такой же диапазон рабочих характеристик, как и к обычному блоку. Ознакомьтесь с главой "ДИАПАЗОН РАБОЧИХ ХАРАКТЕРИСТИК" данного руководства.

Тем не менее, для обеспечения надежного функционирования блока в условиях высокой или низкой температуры окружающей среды могут иметь место ограничения по открытию отверстия подачи свежего воздуха. Подробную информацию смотрите в Сборнике технической документации.



ОСТОРОЖНО

Рабочие характеристики будут уменьшены при высокой или низкой температуре среды, подробнее в пункте (E)(ii).

(vii) **Дополнительный воздушный фильтр**

Внутри блока имеется 2" установочное отверстие для фильтра. Если при открытии заслонки на входе наружного воздуха происходит проникновение пыли или грязи, в качестве второго слоя фильтрации рекомендуется использовать дополнительный фильтр (приобретается на месте).

Ф Техническое обслуживание и уход

(i) **Техническое обслуживание фильтра**

Загрязнение фильтра может привести к увеличению сопротивления воздушного потока. Поэтому необходимо производить регулярную чистку фильтра не реже одного раза в 2 недели. Воздушный фильтр, расположенный в защитном кожухе от дождя, подвергается воздействию факторов внешней среды и может получить повреждения в результате воздействия вредителей или животных. В случае повреждения следует произвести замену воздушного фильтра.

(ii) **Техническое обслуживание отсека, монтируемого в помещении**

Поскольку фильтр, расположенный в кожухе, не может обеспечить полную защиту от частиц грязи, открытие заслонки на входе наружного воздуха может привести к проникновению пыли и грязи. Поэтому во время проведения технического обслуживания фильтра необходимо также чистить отсек, монтируемый в помещении.

(iii) **Техническое обслуживание заслонки**

Протирайте загрязнившуюся заслонку, особенно заслонку на входе наружного воздуха, которая постоянно находится под воздействием внешней среды.

Примечание

Ознакомьтесь с главой "ТЕХНИЧЕСКОЕ ОБСЛУЖИВАНИЕ И УХОД" данного руководства.

G Вентиляция, регулируемая по потребности (DVC)

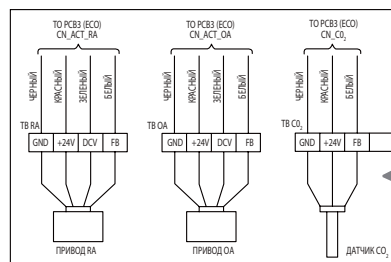
- Вентиляция, регулируемая по потребности, является одним из приемов, позволяющих уменьшить потребление энергии и поддерживать при этом необходимый уровень качества воздуха. Вместо установки пропускной мощности на коэффициент замещения углекислого газа, датчик углекислого газа (датчик CO₂) используется для динамического управления коэффициентом на основании значений углекислого газа, выделяемого фактическими посетителями здания.
- Датчик CO₂ является дополнительным оборудованием и приобретается на месте. Ознакомьтесь с информацией ниже, представленной в качестве рекомендаций по выбору датчика CO₂:
 - Тип: Монтируемый в воздуховоде
 - Потребляемая мощность: 24 В пост.ток, 50 Гц
 - Диапазон рабочих температур: 0 ~ 52°C
 - Диапазон температуры окружающей среды: -15 ~ 52°C
 - Пределы измерения: 0 ~ 5000 PPM (в зависимости от применения)
 - Выходное напряжение: 2 ~ 10 В пост. ток
 - Размер провода: AWG18
 - Максимально допустимый ток: 7А
 - Соответствие стандартам: Следовать местным и национальным правилам
- Контроллер экономайзера имеет встроенное программное обеспечение, готовое к интеграции датчика CO₂. Датчик активируется только при работе в режиме экономайзера. Потребитель может осуществить выбор различных пороговых значений с помощью Dip-переключателя 3. Для выбора порогового значения уровня CO₂ PPM ознакомьтесь с рекомендациями по настройке оборудования, представленными в части (D) (v) главы "ИНСТРУКЦИИ ПО РАБОТЕ С ОРГАНАМИ УПРАВЛЕНИЯ" данного руководства.
 Например: Для использования датчика CO₂ с пределами измерения 0 ~ 5000 PPM с пороговым значением, равным 1250PPM, потребителю необходимо выполнить следующие действия:
 - Шаг 1: Включите SW4 на единственном Dip-переключателе на главной плате контроллера в положение ON (заводская настройка – положение OFF)
 - Шаг 2: Установите параметр панели G6 (управление экономайзером) на пульте дистанционного управления в положение '1' (ON) (заводская настройка - положение '0' (OFF)).
 - Шаг 3: Убедитесь, что SW2 на Dip-переключателе 4 (плата контроллера экономайзера) находится в положении OFF (заводская настройка – положение OFF).
 - Шаг 4: Включите SW1 на Dip-переключателе 3 (плата контроллера экономайзера) в положении ON (заводская настройка – положение OFF).
 {SW1 в Dip-переключателе 3 = 25%, путем расчета 25% от 5000 PPM или равно 1250 PPM}.
- Если датчик CO₂ находится под воздействием окружающей среды, закройте его кожухом для защиты от брызг (IPX4), оснащенный винтом, выполняющим роль фиксатора, или подобным устройством, предотвращающим попадание воды в датчик CO₂ и ее возможный контакт с датчиком. Соединение датчика CO₂ находится под напряжением.
- Затем подключите провод, идущий от датчика CO₂, к соединительной клеммной коробке, расположенной в отсеке блока, устанавливаемом в помещении. На датчике CO₂ имеется три провода. Выполните подключение проводов, как указано ниже:

Провод заземления - подсоедините к первому полюсу клеммного блока с маркировкой "GND".

Провод под напряжением +24 В пост.тока - подсоедините во второму полюсу клеммного блока с маркировкой "+24V".

выходной провод/провод сигнала обратной связи - подсоедините к третьему полюсу клеммного блока с маркировкой "FB".

(Вы можете свериться с наклейкой, содержащей схему проводки, расположенной на передней крышке соединительной клеммной коробки.)

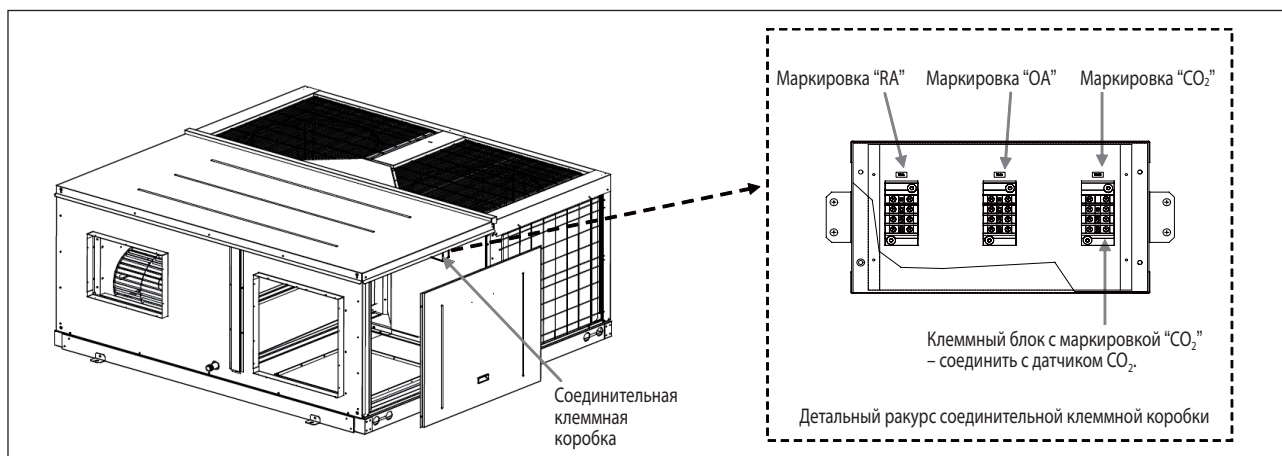


Наклейка со схемой проводки на передней крышке соединительной клеммной коробки



ОСТОРОЖНО

Неправильное подсоединение проводов может привести к нарушению функционирования датчика CO₂ или платы контроллера экономайзера, или сбою в работе обоих устройств. Соедините провода с помощью разъемных кабельных стяжек под соединительной клеммной коробкой.



(i) Ограничение комплекта экономайзера в управлении терморегулятором

Терморегулятор используется со сторонним контроллером, вследствие чего начальная температура специального применения не может быть известна. В этом случае для установки необходимой начальной температуры перед проведением настройки оборудования для терморегулятора рекомендуется использовать дистанционный контроллер.

Примечание

Для выбора режима ознакомьтесь с рекомендациями по настройке оборудования, представленными в части (D) (v) главы “ИНСТРУКЦИИ ПО РАБОТЕ С ОРГАНАМИ УПРАВЛЕНИЯ” данного руководства.

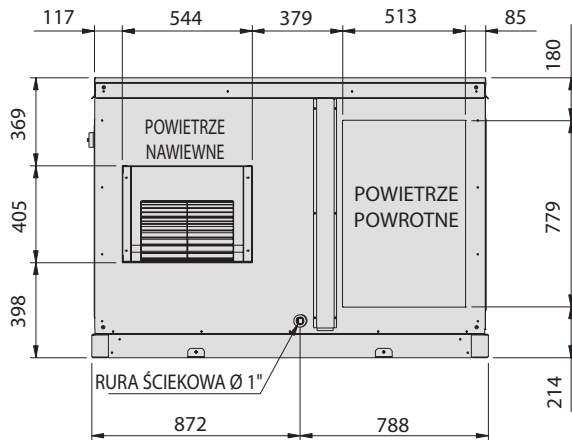
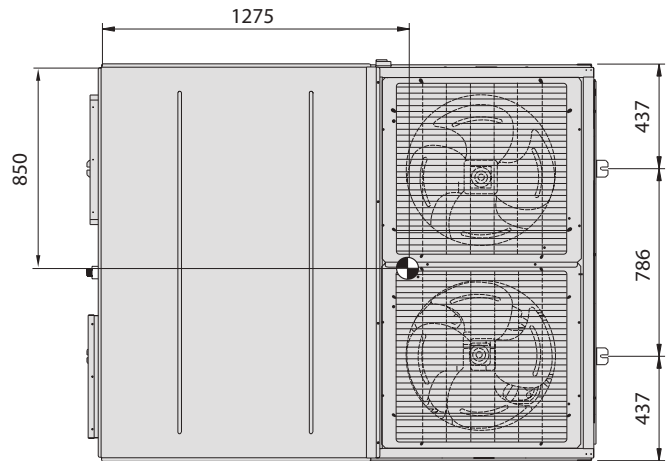
(ii) Необходимость понижения давления

Присутствие свежего воздуха может привести к повышению давления в помещении и дискомфорту посетителей. При необходимости рекомендуется установить во всасывающий канал демпфер сброса давления.

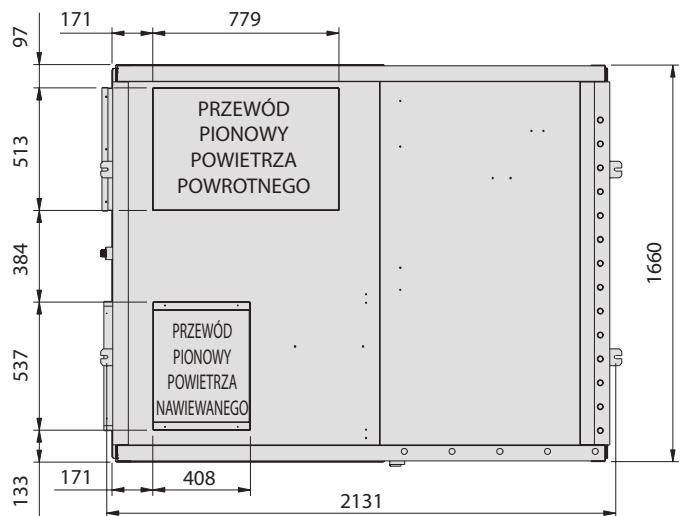
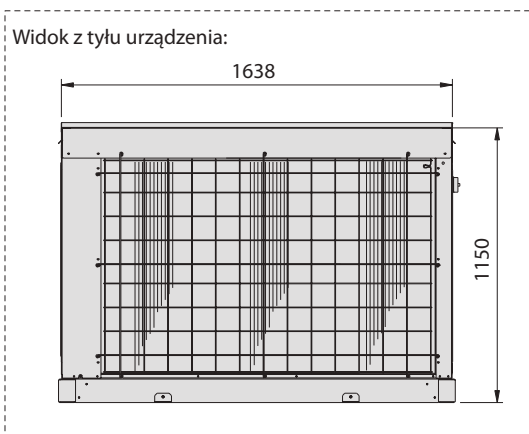
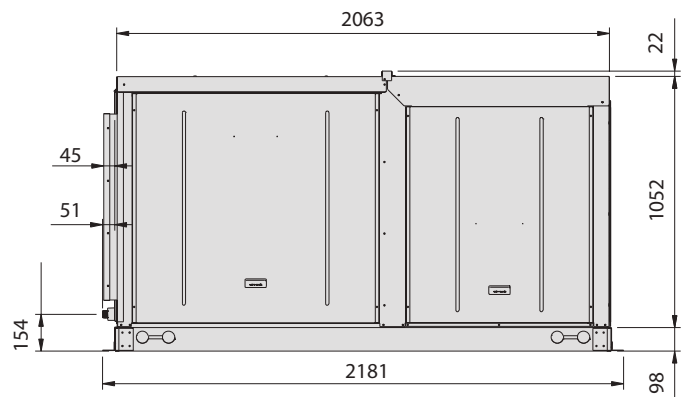
OBRYS I WYMIARY

Model: UATYQ250

Wszystkie wymiary w mm



DO POZIOMEGO PRZEWODU TŁOCZNEGO



DO PIONOWEGO PRZEWODU TŁOCZNEGO

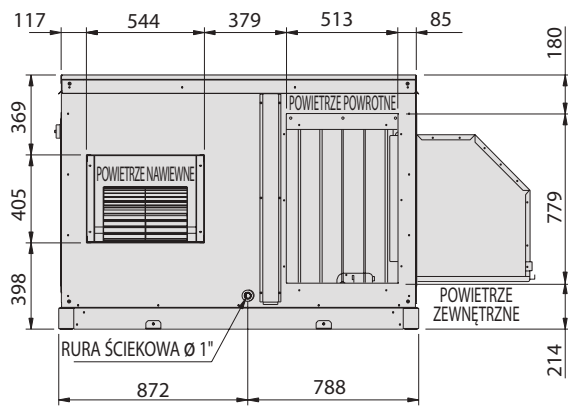


POLSKI

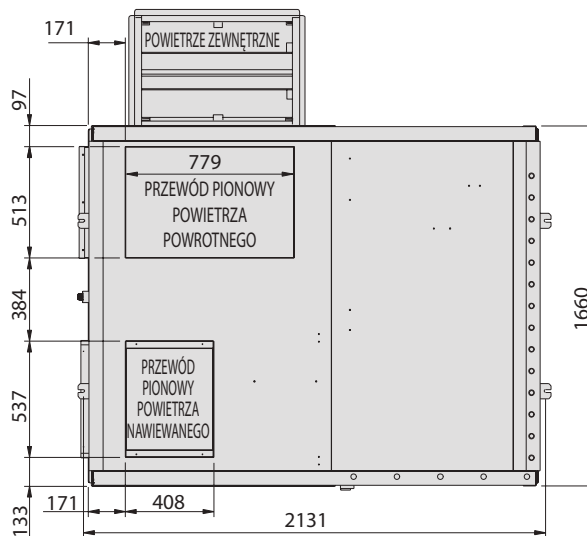
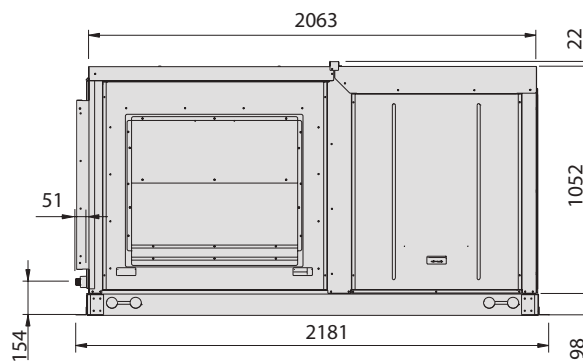
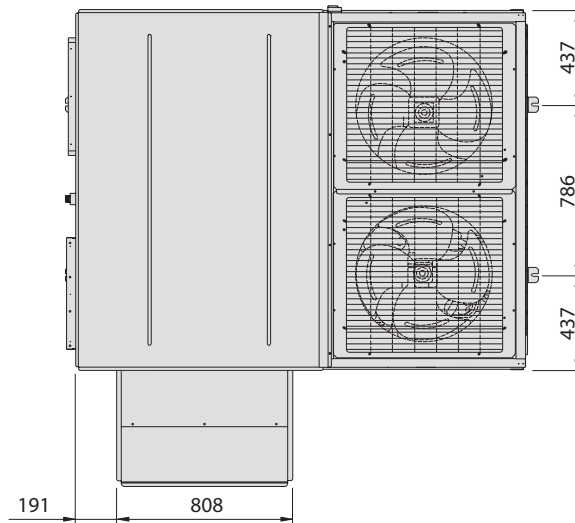
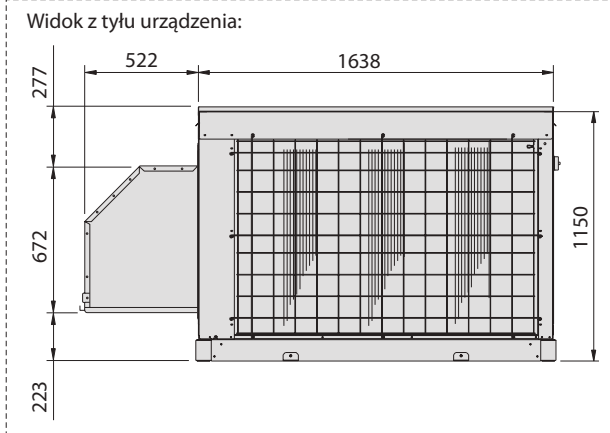
Tłumaczenie oryginalnej instrukcji

Model: UATYQ250 z opcjonalnym podgrzewaczem

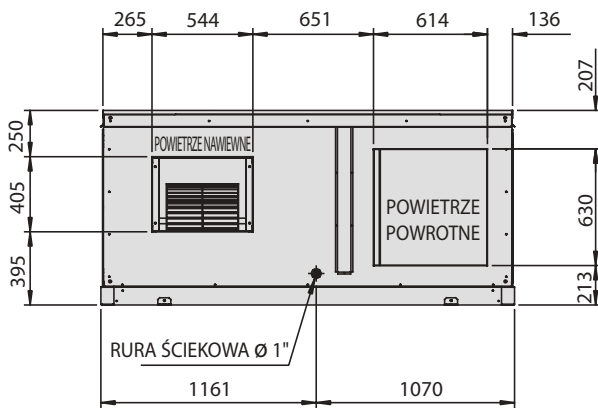
Wszystkie wymiary w mm



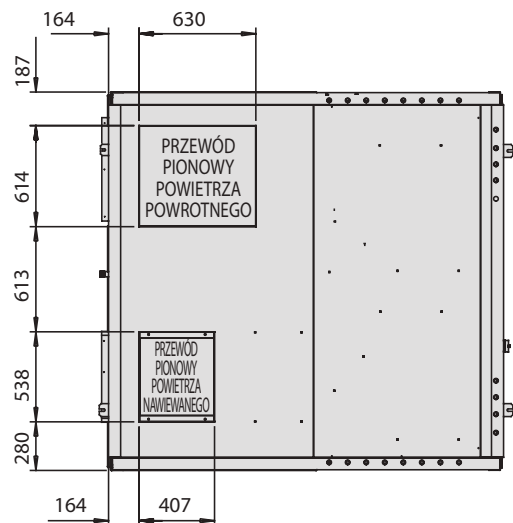
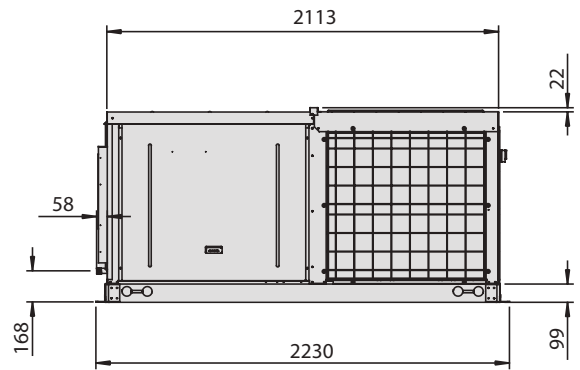
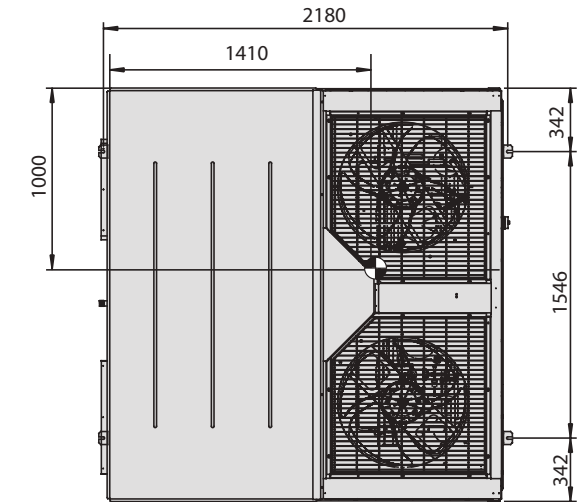
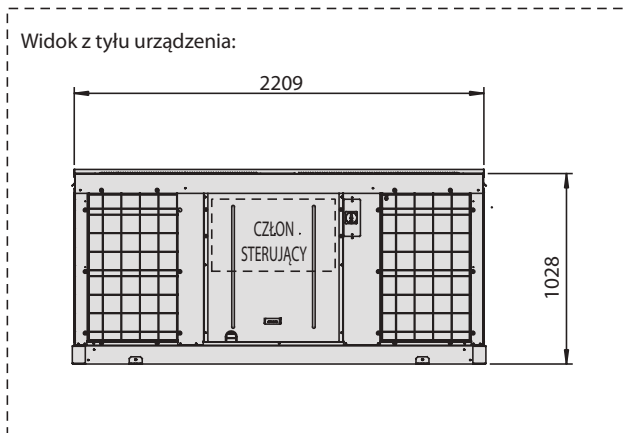
DO POZIOMEGO PRZEWODU TŁOCZNEGO



DO PIONOWEGO PRZEWODU TŁOCZNEGO



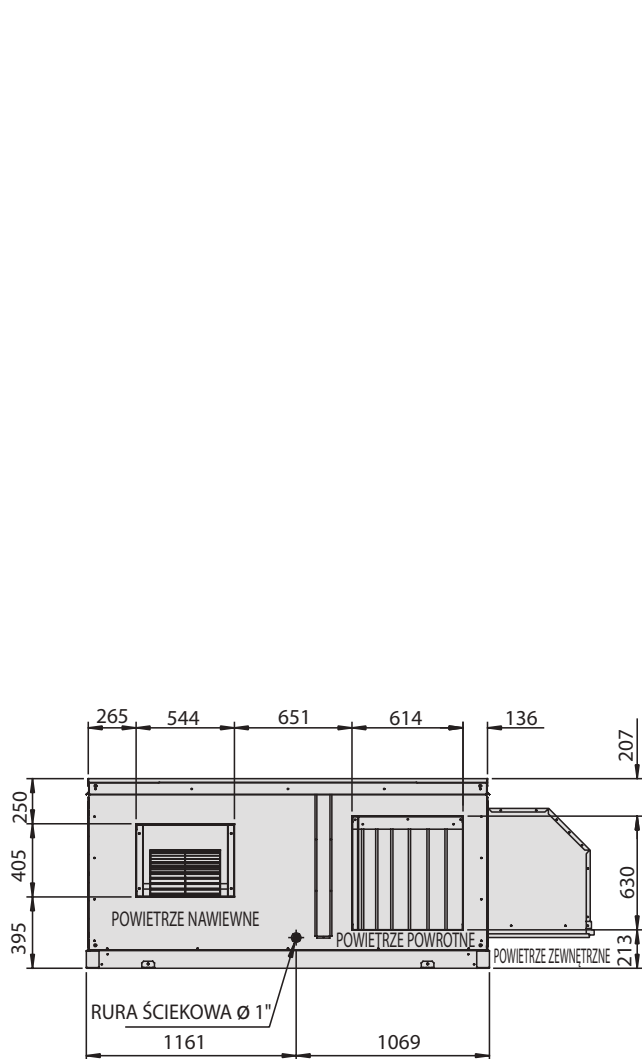
DO POZIOMEGO PRZEWODU TŁOCZNEGO



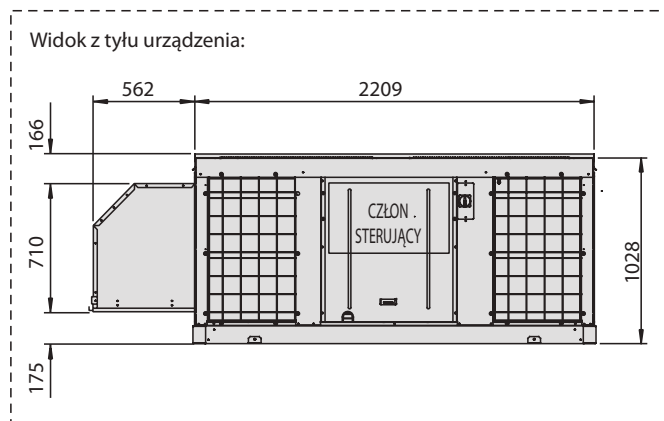
DO PIONOWEGO PRZEWODU TŁOCZNEGO

Model: UATYQ350 z opcjonalnym podgrzewaczem

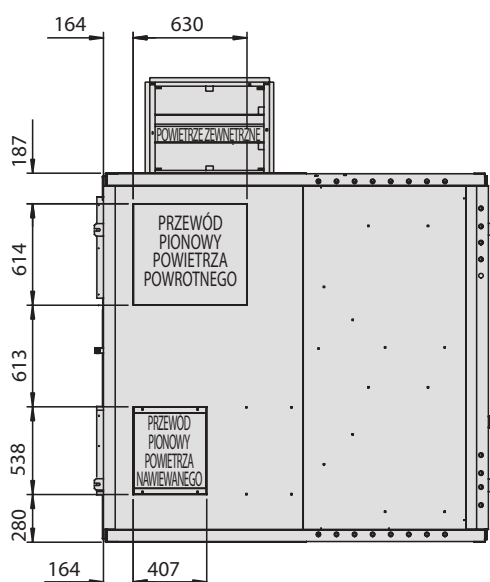
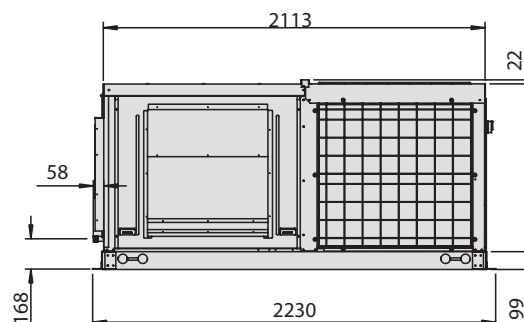
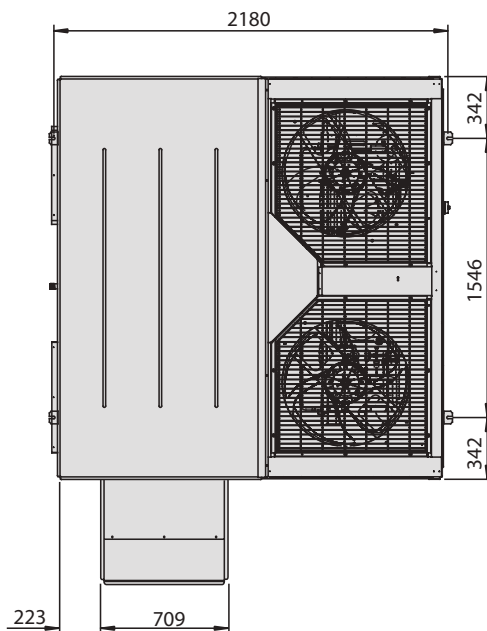
Wszystkie wymiary w mm



DO POZIOMEGO PRZEWODU TŁOCZNEGO

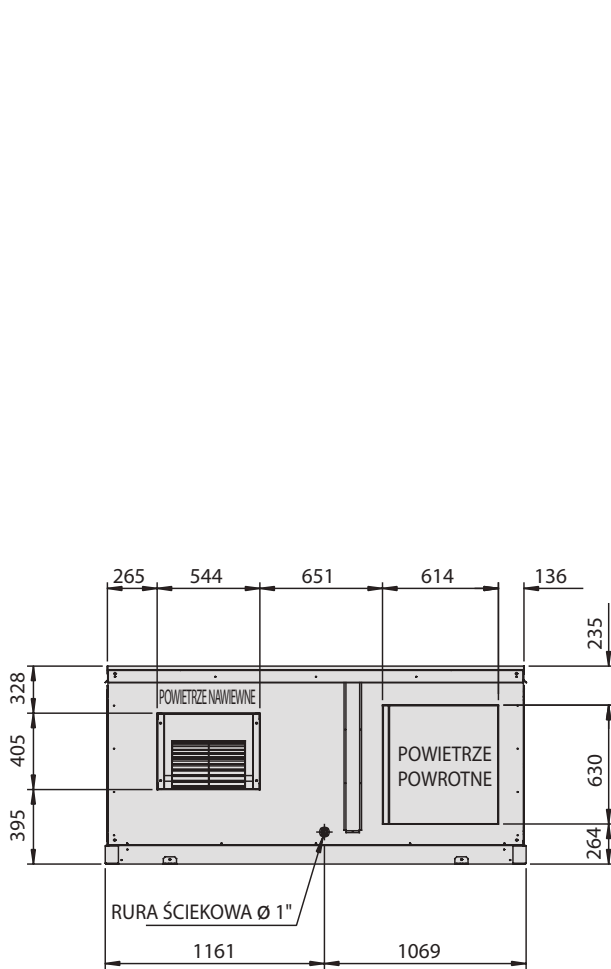


Widok z tyłu urządzenia:

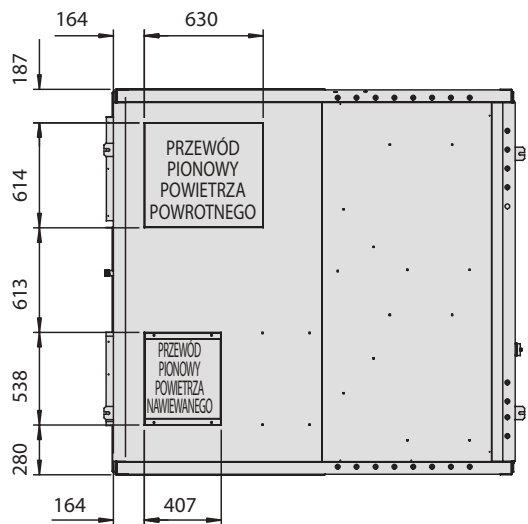
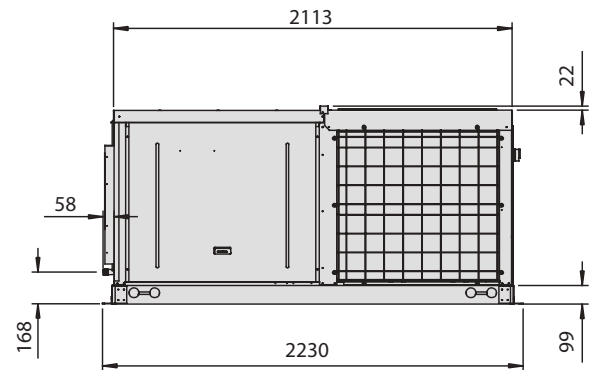
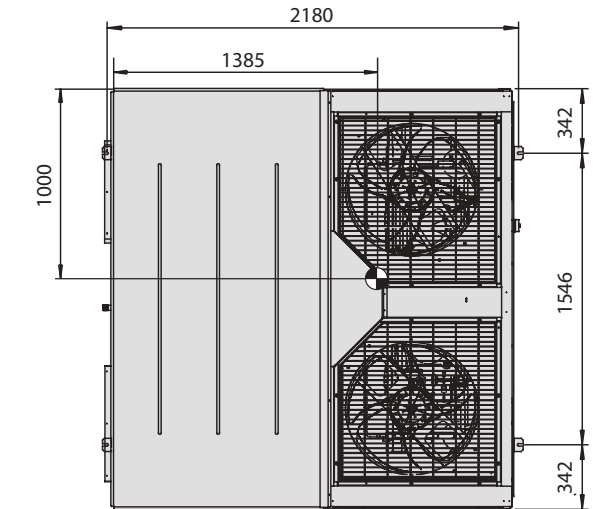
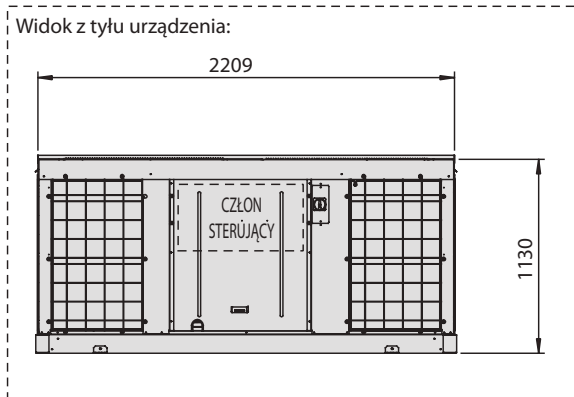


DO PIONOWEGO PRZEWODU TŁOCZNEGO

Wszystkie wymiary w mm



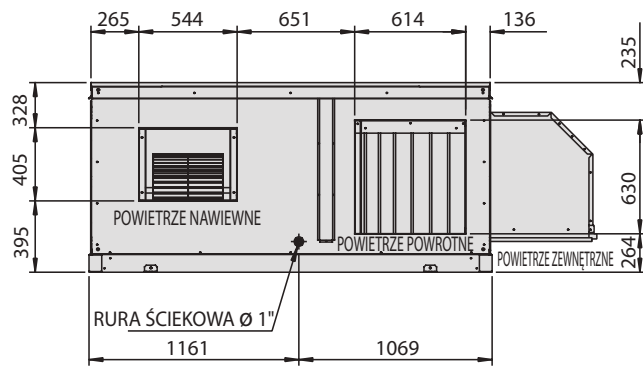
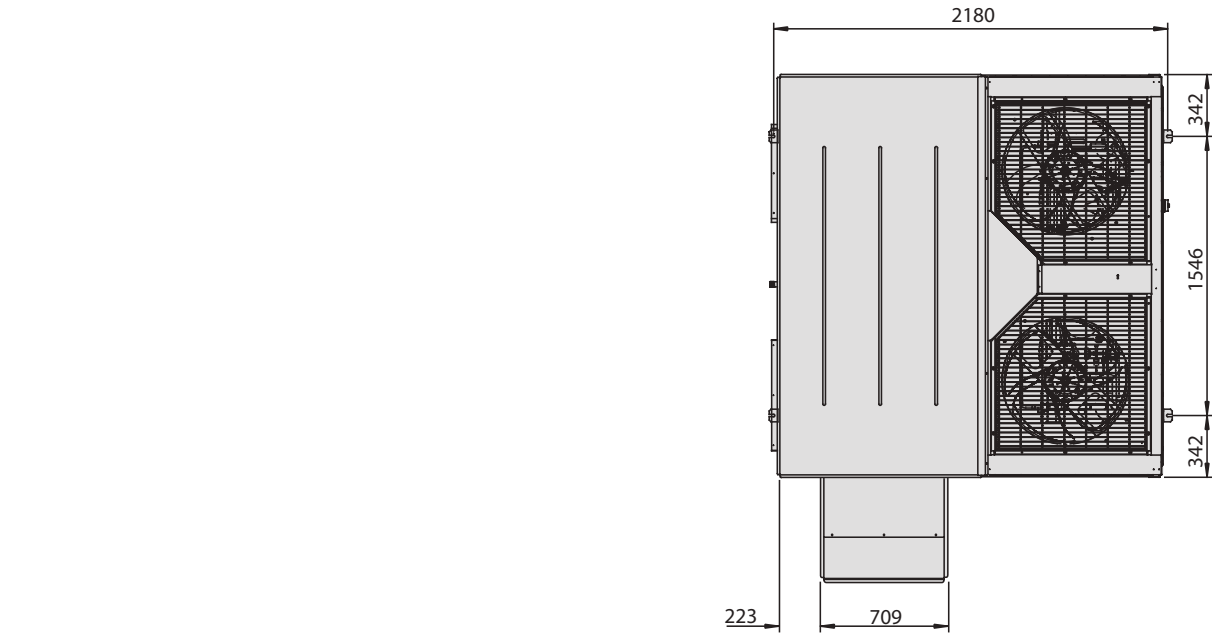
DO POZIOMEGO PRZEWODU TŁOCZNEGO



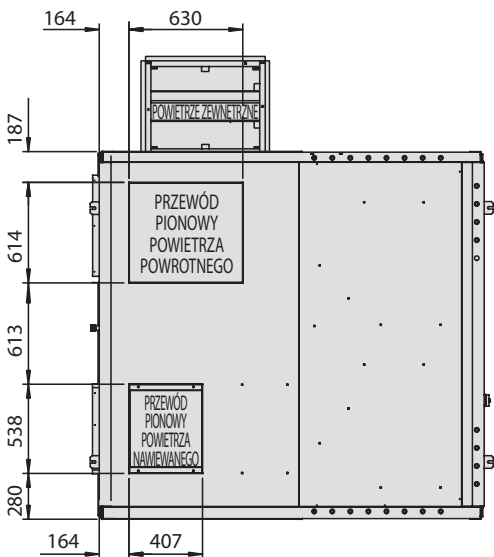
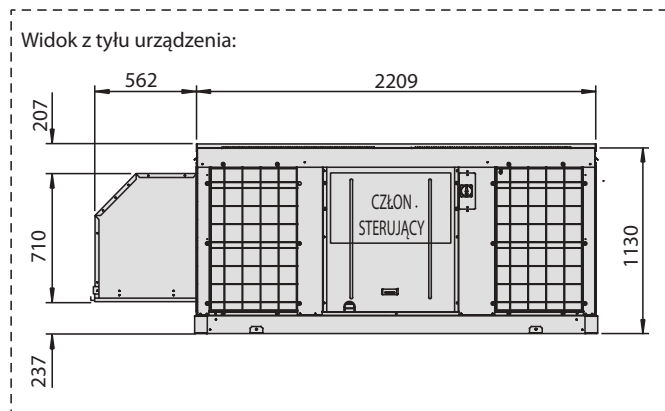
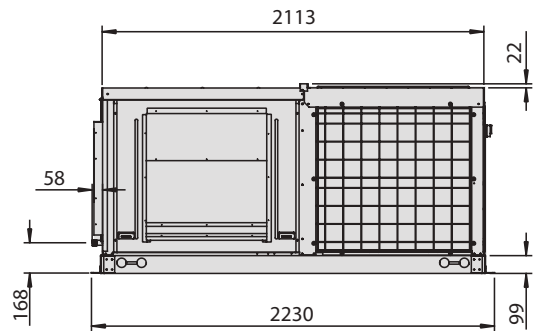
DO PIONOWEGO PRZEWODU TŁOCZNEGO

Model: UATYQ450 z opcjonalnym podgrzewaczem

Wszystkie wymiary w mm

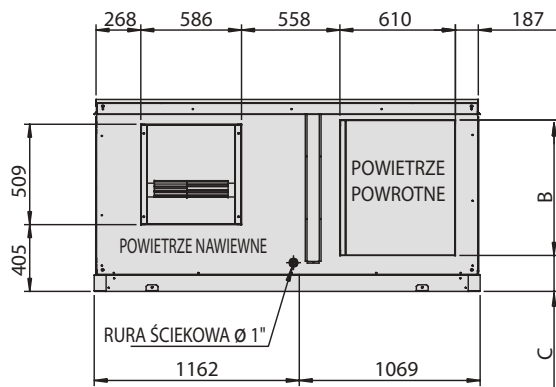
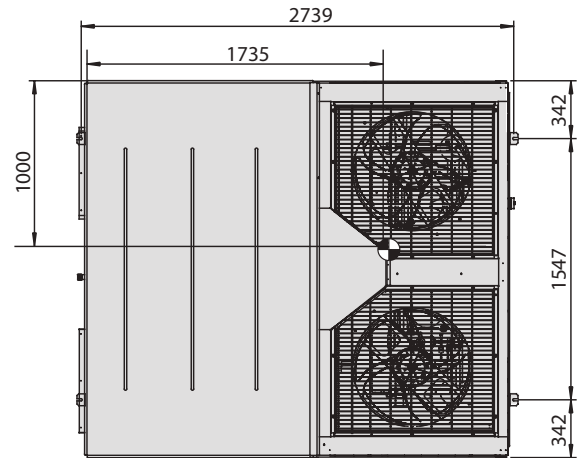


DO POZIOMEGO PRZEWODU TŁOCZNEGO

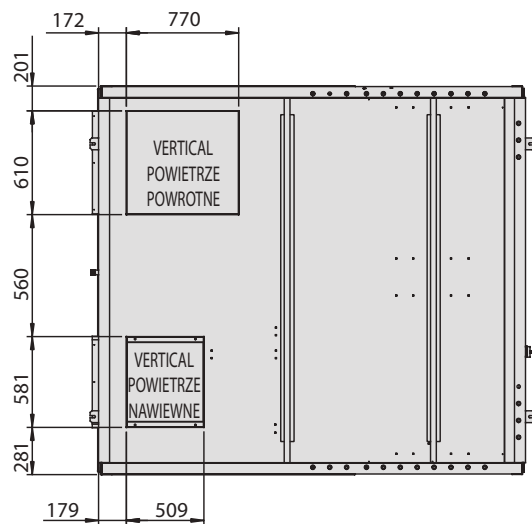
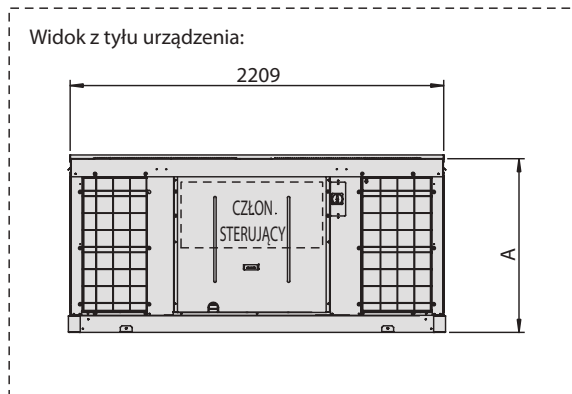
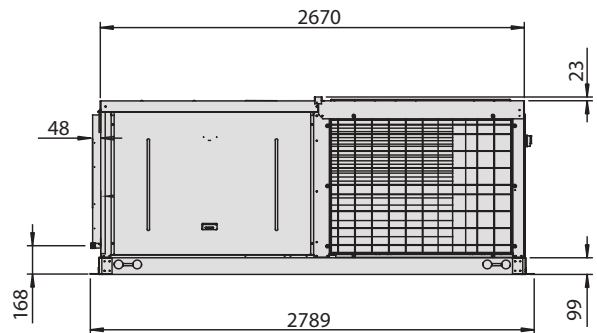


DO PIONOWEGO PRZEWODU TŁOCZNEGO

Wszystkie wymiary w mm



DO POZIOMEGO PRZEWODU TŁOCZNEGO



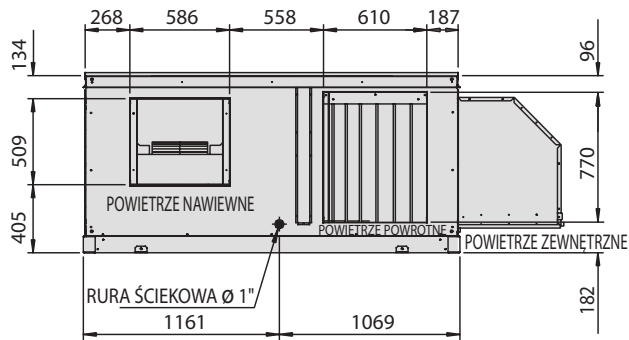
DO PIONOWEGO PRZEWODU TŁOCZNEGO

Model (UATYQ)	550	600	700	900
A	1048	1302	1454	1454
B	770	770	1176	1176
C	182	322	182	182

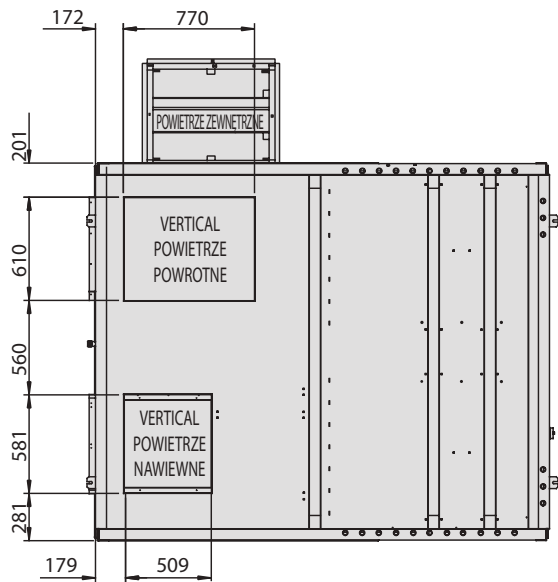
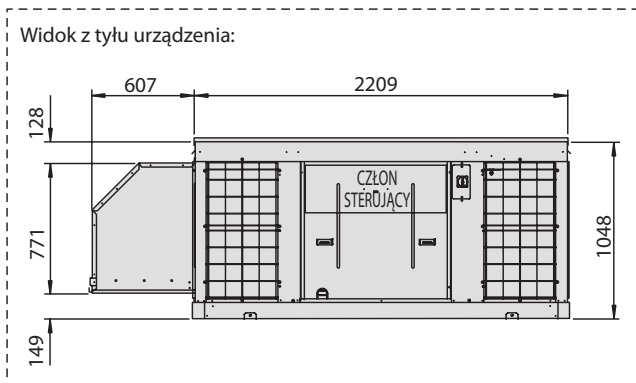
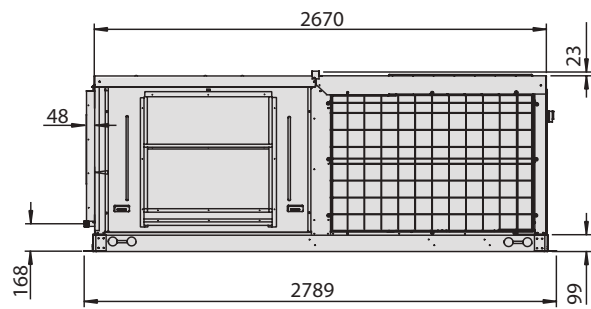
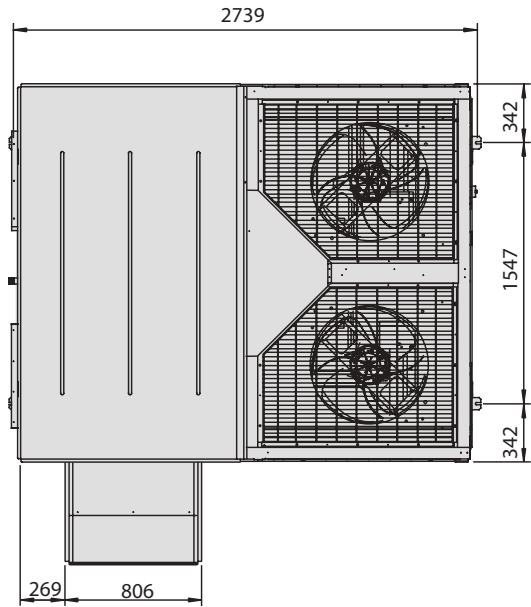
☉ ŚRODEK CIĘŻKOŚCI

Model: UATYQ550 z opcjonalnym podgrzewaczem

Wszystkie wymiary w mm



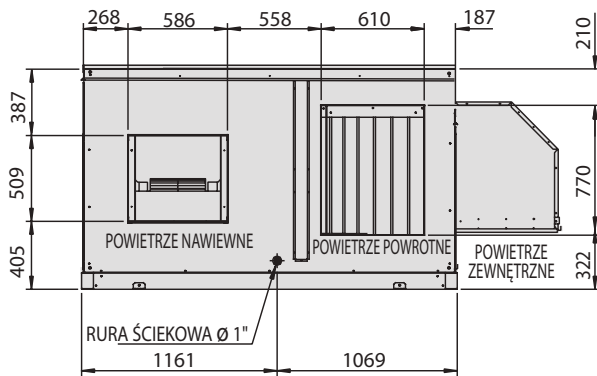
DO POZIOMEGO PRZEWODU TŁOCZNEGO



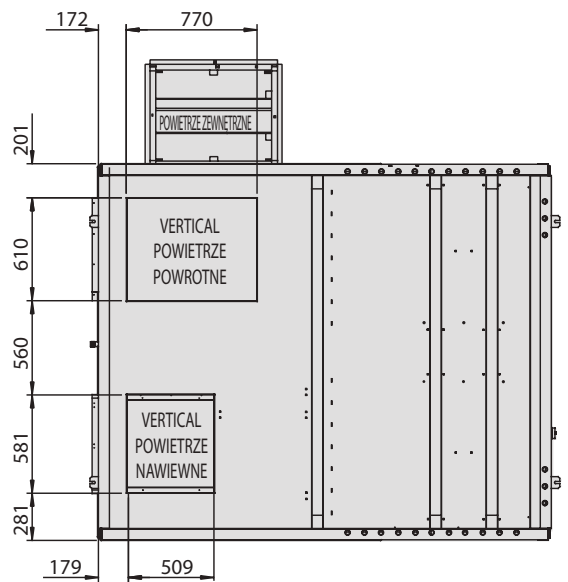
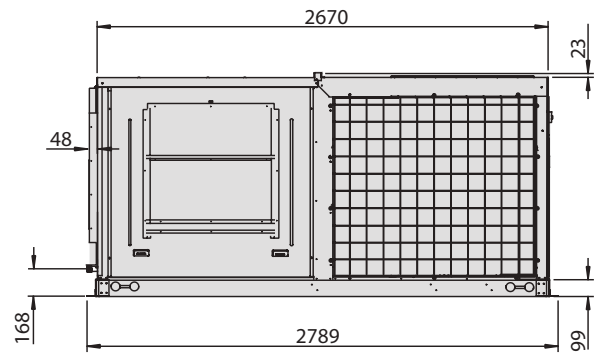
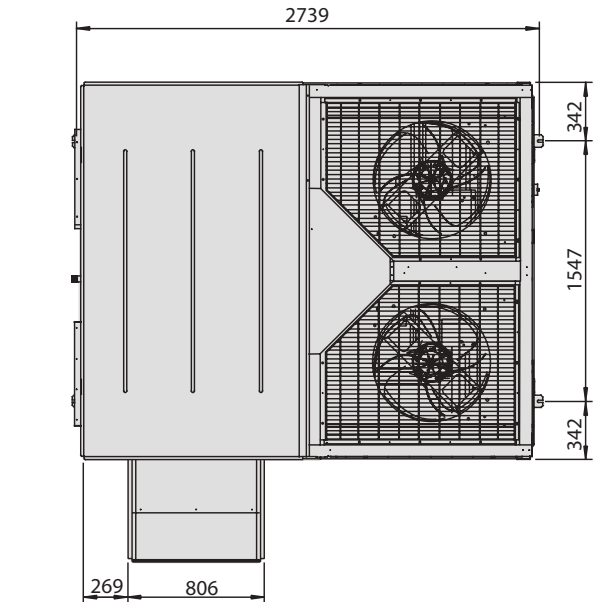
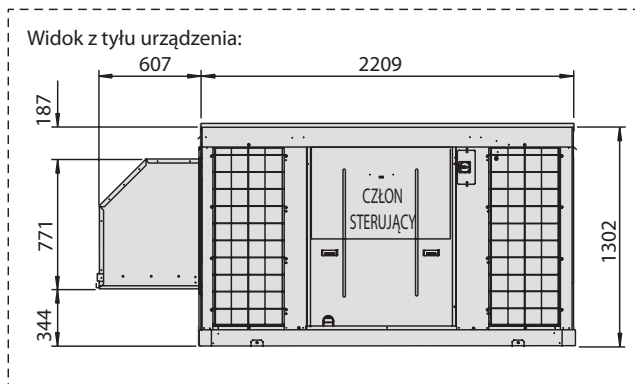
DO PIONOWEGO PRZEWODU TŁOCZNEGO

Model: UATYQ600 z opcjonalnym podgrzewaczem

Wszystkie wymiary w mm



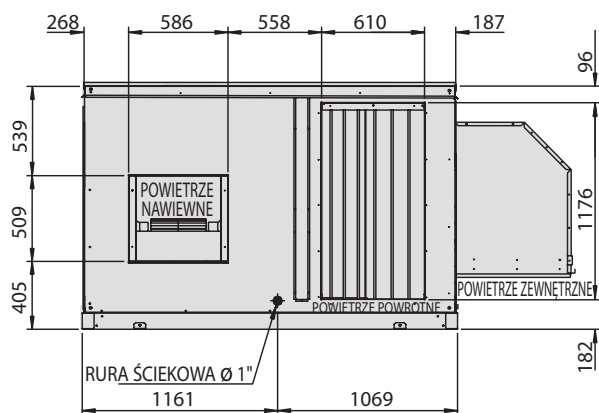
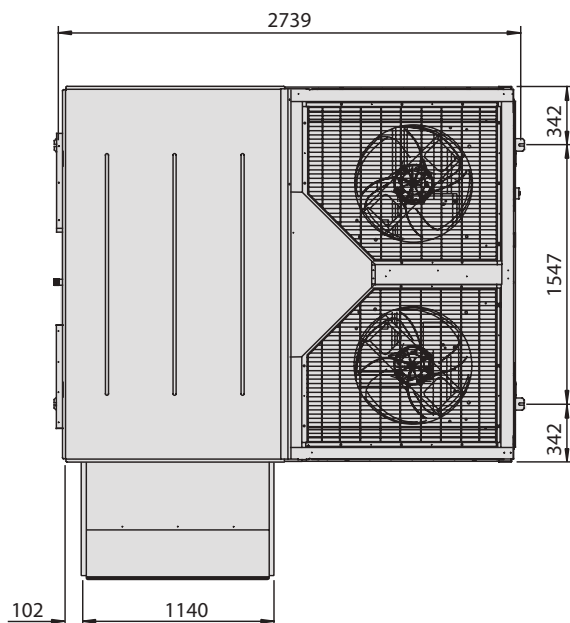
DO POZIOMEGO PRZEWODU TŁOCZNEGO



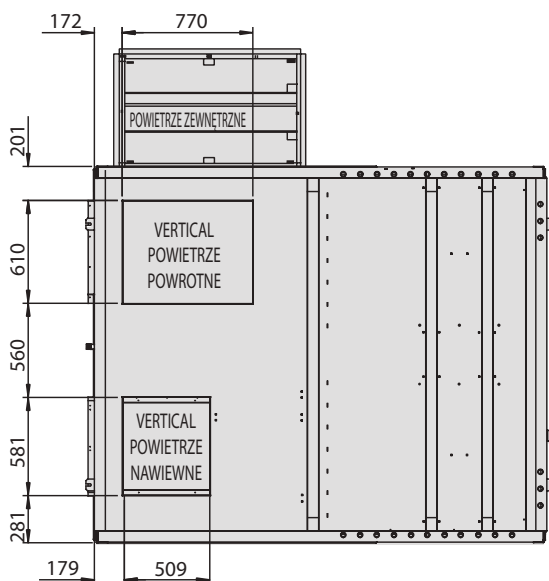
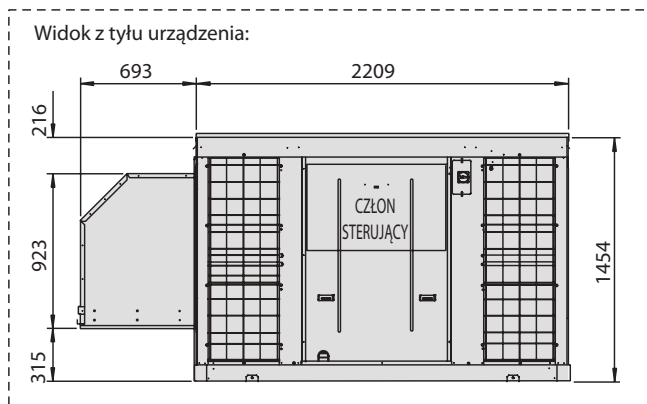
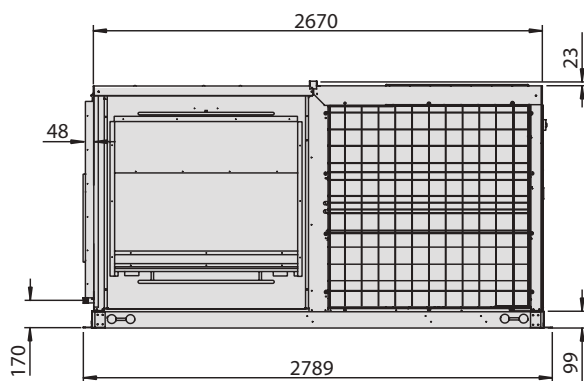
DO PIONOWEGO PRZEWODU TŁOCZNEGO

Model: UATYQ700 z opcjonalnym podgrzewaczem

Wszystkie wymiary w mm



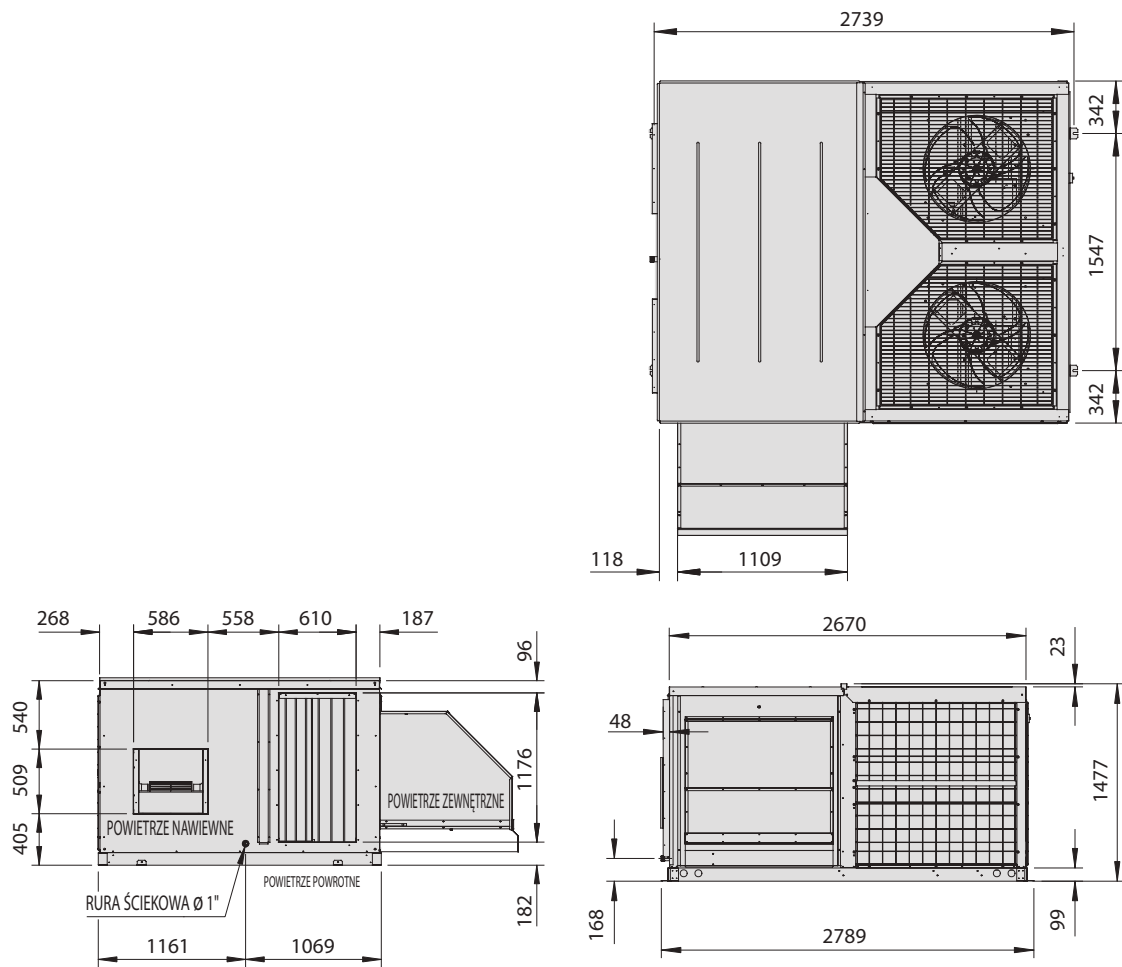
DO POZIOMEGO PRZEWODU TŁOCZNEGO



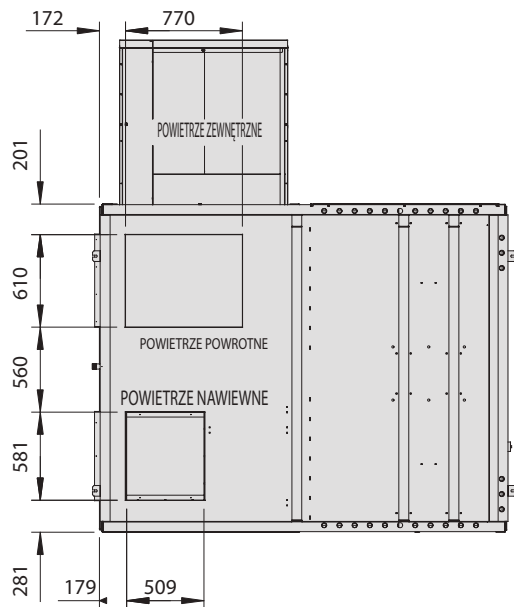
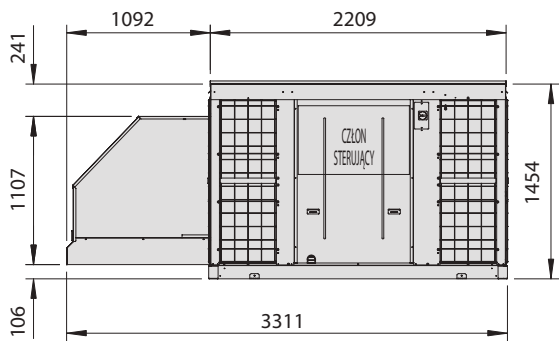
DO PIONOWEGO PRZEWODU TŁOCZNEGO

Model: UATYQ900 z opcjonalnym podgrzewaczem

Wszystkie wymiary w mm



DO POZIOMEGO PRZEWODU TŁOCZNEGO

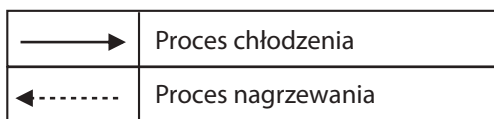


DO PIONOWEGO PRZEWODU TŁOCZNEGO

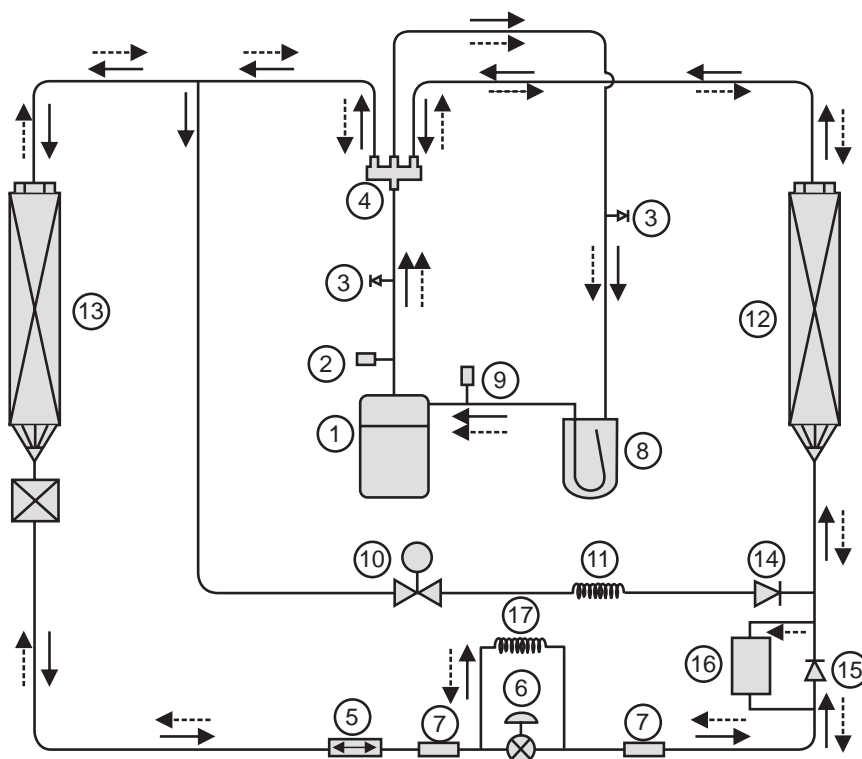
POLSKI

SCHEMAT OBIEGU CZYNNIKA CHŁODNICZEGO

Model: UATYQ 250, 350, 450, 550, 600, 700 & 900



Nr	Opis elementów
①	Sprężarka
②	Przełącznik wysokiego ciśnienia
③	Zawór dostępowy
④	Zawór 4-drożny
⑤	Osuszacz filtr
⑥	Elektroniczny zawór rozprężny
⑦	Sitko
⑧	Akumulator
⑨	Przełącznik niskiego ciśnienia
⑩	Zawór elektromagnetyczny
⑪	Rurka kapilarna obejściowa
⑫	Wewnętrzny wymiennik ciepła
⑬	Zewnętrzny wymiennik ciepła
⑭	Zawór kontrolny 1
⑮	Zawór kontrolny 2
⑯	Sprężarka
⑰	Rurka kapilarna



Uwaga: (a) Model UATYQ350, 450, 550, 600, 700 & 900 zawiera 2 obwody w systemie.
 (b) Pozycje nr 15 i 16 mają zastosowanie tylko dla modelu UATYQ350.
 (c) Pozycje nr 17 mają zastosowanie tylko dla modelu UATYQ700 & UATYQ900.

INSTRUKCJA INSTALACJI

Ta instrukcja zawiera procedur instalacji, aby zapewnić bezpieczne i dobry standard pracy dla jednostki klimatyzatora.

Specjalna regulacja może być konieczna do lokalnych wymagań.

Przed rozpoczęciem korzystania z klimatyzatora, należy uważnie przeczytać instrukcję obsługi i zachować ją na przyszłość.

To urządzenie jest przeznaczone do stosowania przez eksperta lub przeszkolonych użytkowników w sklepach, w przemyśle lekkim oraz w gospodarstwach lub w celach komercyjnych przez osoby świeckie.

To urządzenie nie jest przeznaczone do użytkowania przez osoby, w tym dzieci, o ograniczonej zdolności fizycznej, czuciowej lub psychicznej, lub braku doświadczenia i wiedzy, chyba że będą one nadzorowane lub zostaną poinstruowane na temat korzystania z urządzenia przez osobę odpowiedzialną za ich bezpieczeństwo.

Dzieci powinny być nadzorowane, aby nie bawiły się urządzeniem

ŚRODKI OSTROŻNOŚCI

WAŻNE

Ważne informacje dotyczące używanego czynnika chłodniczego

Ten produkt zawiera fluorowane gazy cieplarniane. Tych gazów nie można odprowadzać do atmosfer.

Rodzaj czynnika chłodniczego: R410A

**GWP⁽¹⁾ wartość:
2087,5**

⁽¹⁾ GWP = potencjał tworzenia efekt ilości czynnika chłodniczego jest wskazana na tabliczce znamionowej urządzenia. W zależności od prawa europejskiego lub miejscowego, mogą być wymagane okresowe kontrole mające na celu sprawdzenie, czy nie ma wycieku czynnika chłodniczego. Więcej informacji można uzyskać u miejscowego dealera.

UWAGA

W Europie do określania okresów konserwacyjnych używana jest emisja gazów cieplarnianych łącznej ilości czynnika chłodniczego (w wyrażona w tonach ekwiwalentu CO₂). Należy postępować zgodnie ze stosownymi przepisami prawa.

Wzór na obliczanie emisji gazów cieplarnianych:
wartość GWP czynnika chłodniczego x łączna ilość czynnika chłodniczego [w kg] / 1000



OSTRZEŻENIE

- Instalacja i konserwacja powinna być przeprowadzana przez wykwalifikowane osoby, które znają miejscowe przepisy i zarządzenia oraz mają doświadczenia z tym rodzajem urządzeń.
- Wszystkie połączenia elektryczne dokonywane w miejscu użytkowania sprzętu muszą być wykonane zgodnie z krajowymi przepisami dotyczącymi instalacji elektrycznych.
- Przed doprowadzeniem prądu do instalacji elektrycznej należy upewnić się, że napięcie znamionowe urządzenia odpowiada temu, które jest podane na tabliczce znamionowej.
- Urządzenie musi być UZIEMIŁONE, aby zabezpieczyć się przed możliwym zagrożeniem spowodowanym uszkodzeniem izolacji.
- Żaden z przewodów elektrycznych nie może dotykać przewodów z czynnikiem chłodniczym, ani też stykać się z żadną częścią silników wentylatora.
- Przed przystąpieniem do instalowania lub obsługi urządzenia, należy potwierdzić, że zostało ono WYŁĄCZONE.
- Przed obsługą zespołu klimatyzatora należy odłączyć główne zasilanie.
- NIE DOTYKAĆ przewodu zasilającego znajdującego się pod napięciem. Może to spowodować poważne porażenie prądem elektrycznym oraz stać się przyczyną pożaru.
- Zespoły klimatyzatora, kabel zasilający i przewody transmisyjne należy umieszczać przynajmniej 1 m od odbiorników telewizyjnych i radiowych, aby nie powodować zakłóceń w ich odbiorze. (W zależności od rodzaju i źródła fal elektrycznych, zakłócenia mogą być odczuwane nawet dalej niż w odległości 1 m).
- Urządzenia nie wolno używać w warunkach w których byłoby potencjalne ryzyko jego wybuchu.



UWAGA

Przy pracach instalacyjnych należy wziąć pod uwagę przedstawione poniżej ważne zalecenia.

- **Nie instalować urządzenia tam, gdzie może nastąpić wyciek łatwopalnego gazu.**



Jeżeli gaz wycieka i gromadzi się wokół urządzenia, to może nastąpić jego zapalenie się.

- **Należy zapewnić prawidłowe podłączenie rury ściekowej.**



Jeżeli rura ściekowa nie będzie prawidłowo podłączona, może spowodować wyciek wody.

- **Nie przeladowywać urządzenia.**



Urządzenie jest naładowane fabrycznie.

Przeladowanie będzie powodować powstawanie nadprądu lub spowoduje uszkodzenie sprężarki.

- **Upewnić się, że po obsłudze lub instalacji poszycie urządzenia jest zamknięte.**



Niezabezpieczone poszycia będą powodować hałaśliwą pracę urządzenia.

- **Ostre krawędzie i powierzchnie cewki są miejscami, które mogą być przyczyną poważnych obrażeń.**

Należy unikać kontaktu z takimi miejscami.

- **Przed wyłączeniem zasilania przełącznik ON/OFF zdalnego urządzenia sterującego należy ustawić w położeniu „OFF”, aby uniknąć samoczynnego wyzwolenia urządzenia.**

W przeciwnym razie wentylatory urządzenia uruchomią się automatycznie, gdy pojawi się zasilanie, stwarzając zagrożenie dla personelu obsługi lub użytkownika.

- **Nie przystawiać żadnych urządzeń grzewczych zbyt blisko zespołu klimatyzatora**
- **Nie używać połączonych lub skręconych przewodów do doprowadzania zasilania.**

Zasady utylizacji

Demontaż urządzenia, obchodzenie się z czynnikiem chłodniczym, olejem oraz innymi częściami urządzenia muszą być zgodne z obowiązującym prawem.

INSTALOWANIE URZĄDZENIA

A Miejsce instalacji

- Urządzenie należy zainstalować w taki sposób, aby powietrze podawane przez urządzenie było ponownie przez nie pobierane (tak jak w przypadku niskiego obwodu powietrza wylotowego). Wokół urządzenia należy pozostawić odpowiednio dużą przestrzeń, umożliwiającą jego obsługę.
- Gdy w jednym miejscu są instalowane dwa lub więcej urządzeń, muszą być one ustawione tak, aby jedno urządzenie nie pobierało powietrza wylotowego pochodzącego z drugiego urządzenia.
- Należy zapewnić ustawienie takie, aby nie występowały żadne przeszkody na drodze powietrza wpływającego do urządzenia lub wypływającego z niego. Należy usunąć przeszkody, które blokują powietrze wlotowe lub wylotowe.
- Miejsce musi być dobrze wentylowane tak, aby urządzenie mogło pobrać i wydalić dużo powietrza.
- Zaleca się instalowanie urządzenia w:-
 - Miejscu, które może przenieść wagę urządzenia i wyizoluje hałas i drgania.
 - Miejscu, gdzie znajduje się odpowiedni drenaż.
 - Miejscu, gdzie urządzenie nie będzie pokrywane śniegiem.
 - Miejscu, gdzie porty powietrza wlotowego i wylotowego nie były wystawione na działanie silnego wiatru.
 - Miejscu, gdzie poziom hałasu wylatującego powietrza i pracującego urządzenia nie będzie dokuczliwy dla sąsiedztwa.
 - Miejscu, które nie jest powszechnie dostępne.

Uwaga

- W celu zamontowania urządzenia z zestawem podgrzewającym należy postępować zgodnie z opisem z części (B) (iii) w rozdziale „AKCESORIA DODATKOWE” w tej instrukcji obsługi.



UWAGA

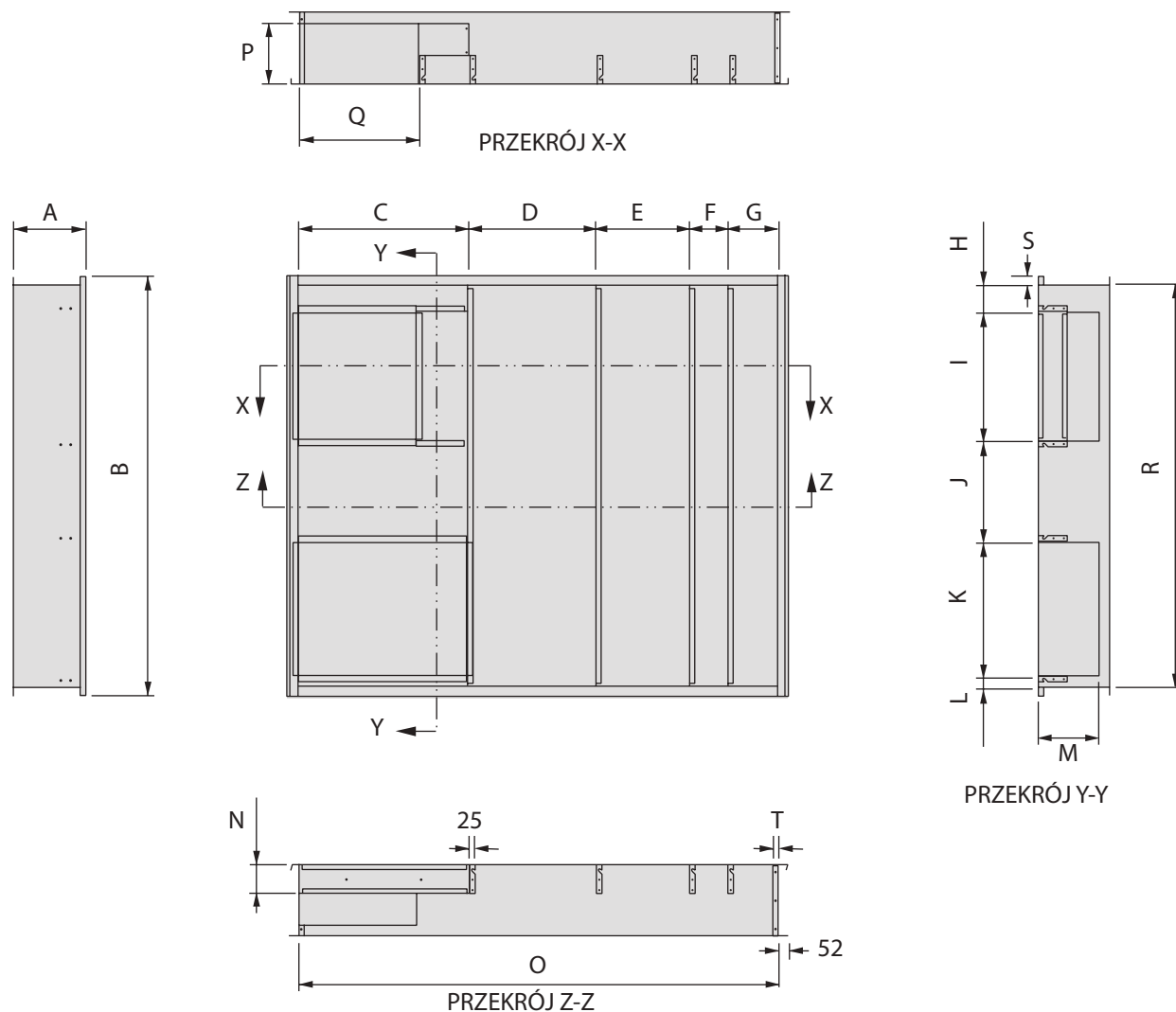
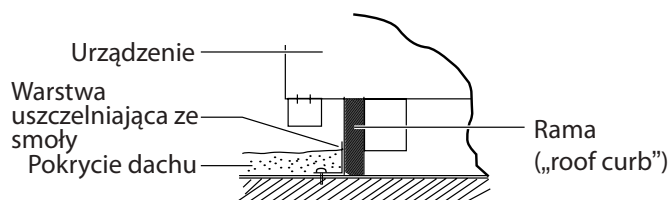
Nie należy instalować urządzenia na wysokości wyższej niż 2000m.

B Budowa przewodów powietrznych

- Urządzenie wyposażone jest w otwory powietrzne nawiewowe i powrotne. Połączenie przewodu do urządzenia powinno być wykonane za pomocą kołnierzy przewodów, które muszą być pewnie przymocowane do otworów powietrznych wyposażonych w elastyczne złącza, celem uniknięcia przenoszenia hałasu towarzyszącego pracy urządzenia.
- Celem uniknięcia wycieku powietrza, wszystkie szwy przewodów powietrznych powinny być uszczelnione.
- Przewody powietrza znajdujące się w obszarach, które nie są klimatyzowane, muszą być izolowane.
- Przewody powietrzne wystawione na zewnątrz muszą być zabezpieczone przed wpływami czynników atmosferycznych.
- Przewody powietrzne, które wychodzą na zewnątrz budynku poprzez dach, powinny być uszczelnione tak, aby deszcz, piach, kurz, itp. nie mógł dostać się do wnętrza budynku.
- W przewodach powietrza powrotnego muszą być zainstalowane właściwego rozmiaru filtry.

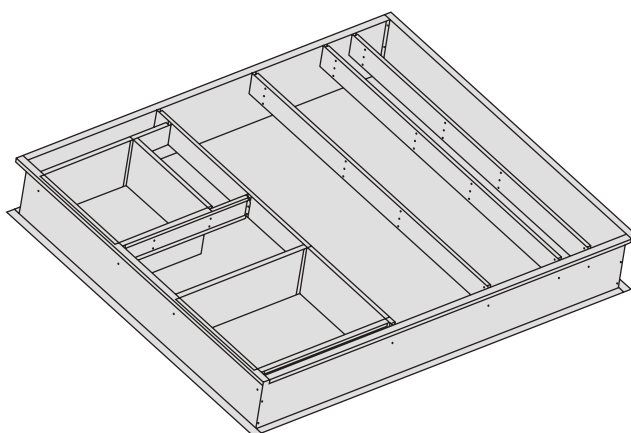
C Podpora urządzenia (tylko dla urządzeń z dolnym wyrzutem)

- Na rysunku pokazano wykorzystanie ramy (konstrukcja typu „roof curb”) do zamontowania tych urządzeń.
- Rama powinna być właściwie uszczelniona i zamocowana na dachu. Sugerowane środki do uszczelnienia urządzenia i ramy pokazano na rysunku po prawej stronie.
- Zalecane wymiary ramy („roof curb”) przedstawione są poniżej.



Modal (UATYQ)	250	350/450	550/600/700/900
A	355	355	355
B	1506	2081	2081
C	840	700	840
D	315	410	625
E	315	410	462
F	0	0	190
G	314	287	248
H	0	131	131
I	607	600	646
J	322	544	495
K	540	682	676
L	0	42	51
M	300	300	300
N	141	141	141
O	1784	1807	2365
P	300	300	300
Q	481	477	590
R	1469	1998	1998
S	20	41,5	41,5
T	20	41,5	41,5

Uwaga: Wszystkie wymiary w mm

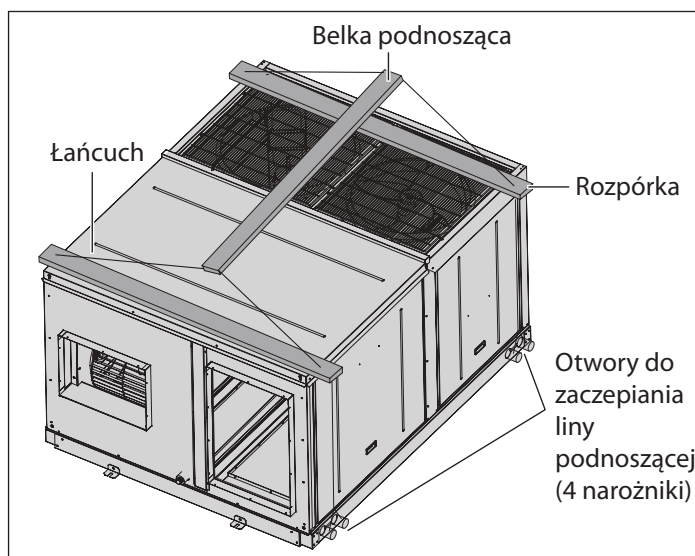


D Podnoszenie urządzenia

- Do podnoszenia urządzenia używane są otwory znajdujące się w czterech narożnikach podstawy urządzenia.
- Rozmiar rozpórki powinien być nieco większy niż szerokość urządzenia.
- W czterech narożach pod łańcuch należy włożyć podkładkę, która podczas podnoszenia zabezpieczy posycie urządzenia przed uszkodzeniem.

Uwaga

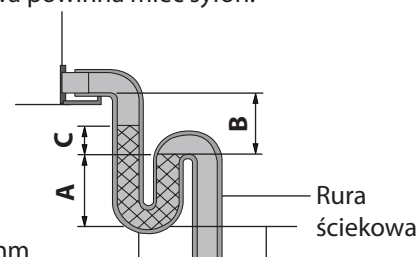
- Na rysunku pokazano urządzenie UATYQ250.
- Inne modele należy podnosić tą samą metodą.



E Rura ściekowa

- A 1" MPT — dostarczany zestaw odwadniający. Rura ściekowa może być wyprowadzona na zewnątrz od przodu.
- Rura ściekowa musi być wyposażona w syfon znajdujący się na zewnątrz urządzenia i musi być zainstalowana z nachyleniem tak, aby zapewnić właściwy spływ, jak pokazano to na rysunku po prawej stronie.
- Aby zapobiec tworzeniu się kondensatu i wyciekom, przewidziana jest rura spustowa z izolacją, zabezpieczająca przed poceniem.
- Po zakończeniu łączenia rur należy sprawdzić, czy nie występują wycieki oraz czy woda spływa poprawnie.

Rura ściekowa powinna mieć syfon.



- A** \geq 70mm
- B** \geq 2C
- C** \geq 2 X ESP

Uwaga

- ESP = Zewnętrzne ciśnienie statyczne

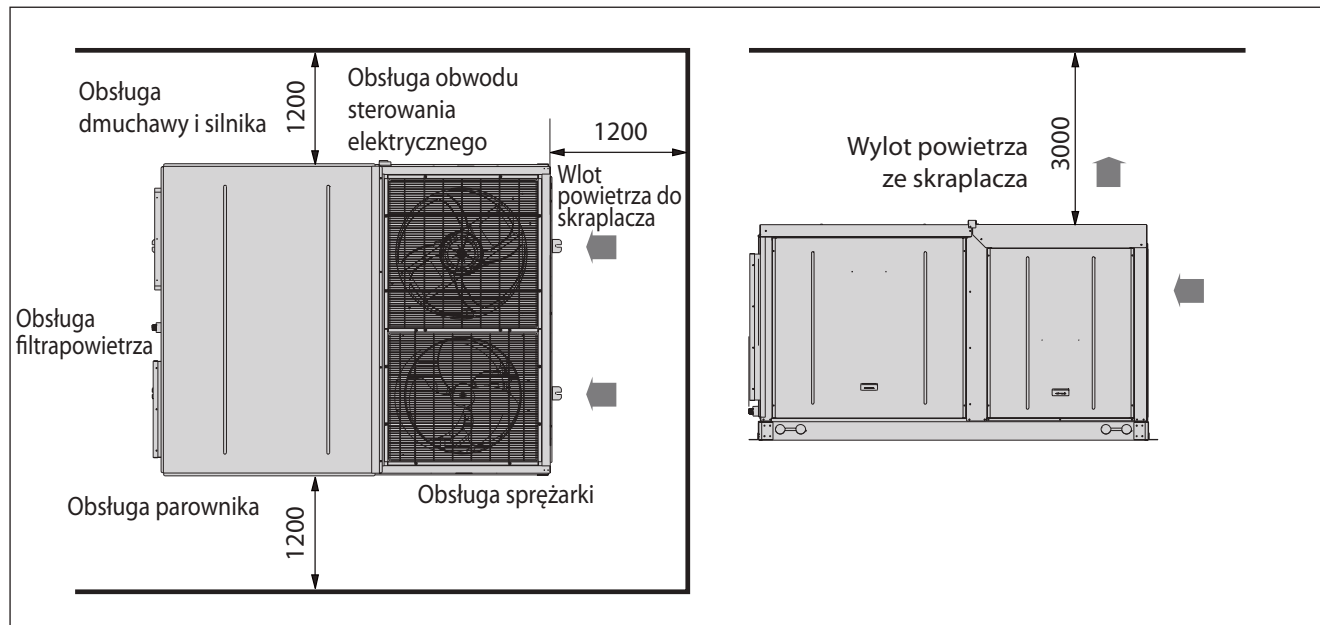
Rura ściekowa powinna przebiegać poniżej tego poziomu.

Syfon zbierający kondensat

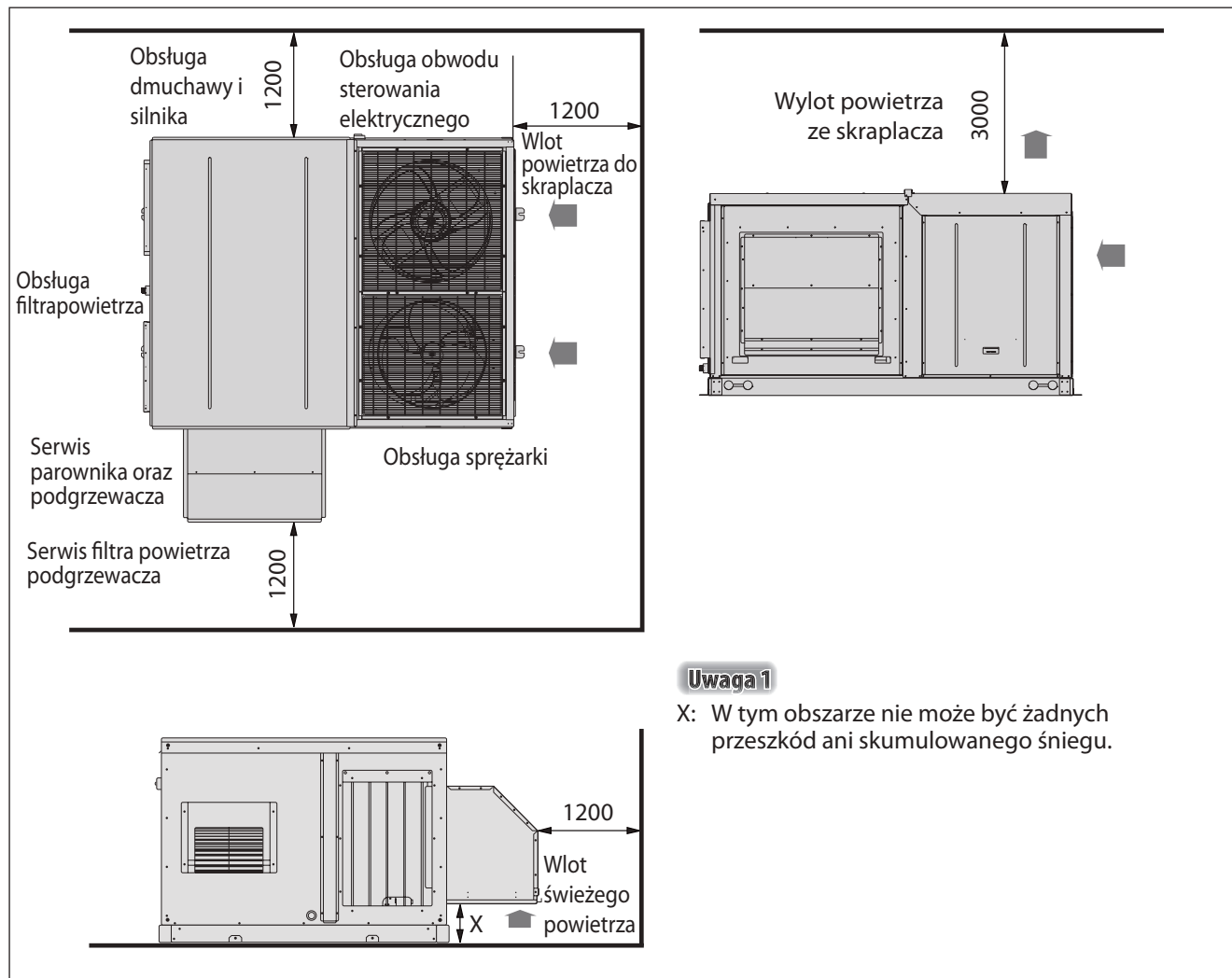
F Wymagana przestrzeń wokół urządzenia

Na poniższym rysunku przedstawiono wymaganą przestrzeń wokół urządzenia. Należy zauważyć, że:-

- Wszystkie pokazane wymiary są podane w mm.
- Wszystkie pokazane wartości przestrzeni określają minimalny prześwit wymagany dla urządzenia.
- Na rysunku pokazano urządzenie model UATYQ250. Inne modele wymagają takiej samej przestrzeni.



W przypadku instalacji podgrzewacza wymagana jest dodatkowa przestrzeń. Jeśli urządzenie zostało wyposażone w podgrzewacz, dodatkowe miejsce wokół urządzenia z podgrzewaczem powinno wyglądać tak, jak na poniższym diagramie:-



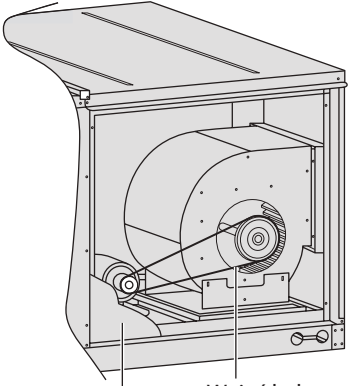
Uwaga 1

X: W tym obszarze nie może być żadnych przeszkód ani skumulowanego śniegu.

G Konwersja urządzenia

W przypadku konwersji standardowego urządzenia w urządzenie pionowe należy wykonać czynności przedstawione poniżej: **UATYQ250, 350, 450, 550, 600, 700 & 900**

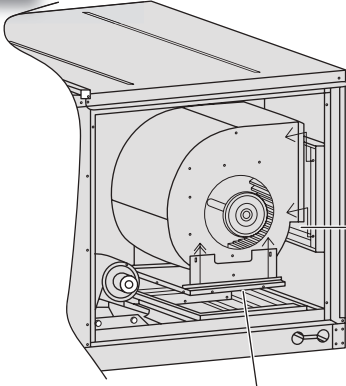
1



Zdjąć poszycie boczne

Wyjąć koło pasowe

2



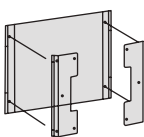
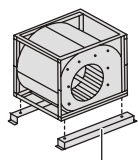
Wyjąć wkręty z obu stron

Odłączyć dmuchawę

Odłączyć wspornik dmuchawy

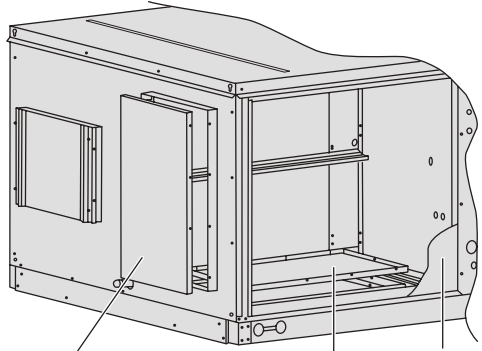
Dla UATYQ250:
Dwa boczne poszycia są przykręcone do wspornika dmuchawy, jak pokazano

Dla UATYQ250, 350, 450, 550, 600, 700 & 900

Dwie podpory są przykręcone do dmuchawy

4



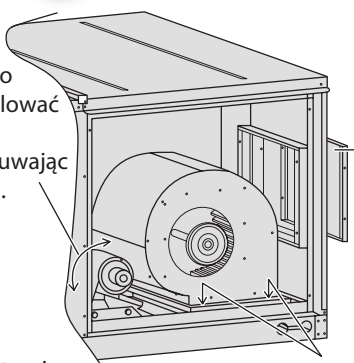
Pokryć poziomy otwór powrotny pokrywą i mocno dokręcić. Wytyczna 2.

Zdjąć poszycie boczne po stronie powrotnej

Odkręcić pokrywę pionowego otworu powietrza powrotnego od poszycia podstawy

Na koniec z powrotem zamontować poszycie boczne.

3



Ponownie zamontować koło pasowe. Wyregulować napięcie paska klinowego przesuwając podstawę silnika.

Za pomocą pokrywy przykryj poziomy otwór nawiewny ze wspornikiem dmuchawy, który odłączono od dmuchawy, a następnie mocno go przytwierdź. Wytyczna 2.

Obrócić dmuchawę czołem do dołu. Przykręcić po obu stronach.

Ponownie zamontować koło pasowe. Wyregulować napięcie paska. Na koniec z powrotem zamontować poszycie boczne. Wytyczna 1.

Uwaga 1

W przypadku konwersji na układ pionowy konieczny jest pasek o innej długości.

Dla urządzenia ze standardowym kołem pasowym, długość paska = a mm

Odległość pomiędzy wałkami dla układu pionowego, C-C = b mm

	UATYQ250	UATYQ350	UATYQ450	UATYQ550	UATYQ600	UATYQ700	UATYQ900
a	1432	1457	1382	1500	1500	1500	1500
b	425	430	345	420	420	440	445

Uwaga 2

Uszczelniacze takie jak uszczelki (w zakresie dostawy) powinny być umieszczone pomiędzy metalową pokrywą a kołnierzem. Poza tym na wszystkich łączeniach oraz otworach należy nałożyć silikon odporny na warunki pogodowe w celu zapewnienia wodoodporności.

Uwaga 3

Odnies się do Podręcznika z Danymi Inżynierskimi, aby uzyskać dane techniczne krzywej modułu zmiennej kąta rolki.

DANE TECHNICZNE

Pompa ciepła (R410A)

Model		UATYQ250	UATYQ350	UATYQ450	UATYQ550	UATYQ600	UATYQ700	UATYQ900
Czynnik chłodniczy		R410A						
Ładunek czynnika chłodniczego	kg	6,1	5,8/5,8	7,2/7,2	8,7/8,7	10,4/10,4	11,6/11,6	11,6/11,6
Przepływ powietrza przez parownik	CFM	3300	4300	5650	6700	7300	8300	9600
	L/S	1557	2029	2667	3162	3445	3917	4531
Zewnętrzne ciśnienie statyczne	mmAq	15			21			
	Pa	147			206			
Przepływ powietrza przez skraplacz	CFM	8230	6000/6000	6050/6050	6450/6450	10100/10100	10600/10600	10600/10600
	L/S	3884	2831/2831	2855/2855	3044/3044	4767/4767	5003/5003	5003/5003
Sterowanie		Kontroler połączeń elektrycznych dachu						
Długość przewodu sterującego (standardowa/maksymalna): Rozmiar	m : mm ²	15 / 100 : 3						
Sprężarka (typ/ilosc)		Scroll/1	Scroll/2	Scroll/2	Scroll/2	Scroll/2	Scroll/2	Scroll/2
Filtr powietrza (typ/ilosc)		Zmywalny Saranet/2						
Wymiary filtra powietrza (długość x szerokość x grubość)	mm	880 x 467 x 4	1126 x 385 x 4	1126 x 435 x 4	1497 x 392 x 4	1497 x 495 x 4	1497 x 595 x 4	1497 x 595 x 4

DANE ELEKTRYCZNE

Pompa ciepła (R410A)

Model		UATYQ250	UATYQ350	UATYQ450	UATYQ550	UATYQ600	UATYQ700	UATYQ900
Zasilanie	V/Ph/Hz	380-415/3N~/50						
Maksymalny prąd ciągły (Comp)	A	26	17/17	19/19	26/26	28/28	29/29	40,0/40,0
Prąd pełnego obciążenia (FLA, Comp)	A	21	12/12	15/15	21/21	22/22	25/25	34,0/34,0
Prąd rozruchowy (LRA, Comp)	A	111	74/74	101/101	111/111	118/118	118/118	174,0/174,0

Wyposażenie spełnia wymagania EN 61000-3-11 i warunki podłączania urządzeń do sieci energetycznej. Podłączanie urządzenia powinno zostać dokonane pod nadzorem zakładu energetycznego. Wyposażenie może być podłączone do sieci energetycznej tylko z systemem o impedancji nie mniejszej niż wartość podana w poniższej tabeli. Impedancja systemu w punkcie podłączenia może zostać uzyskana za pośrednictwem zakładu energetycznego.

Model	Maksymalna impedancja (Z_{max}), ohm
UATYQ250	0,22
UATYQ350	0,23
UATYQ450	0,21
UATYQ550	0,21
UATYQ600	0,21
UATYQ700	0,21
UATYQ900	0,20

W przypadku wyższego systemu impedancji sieci energetycznej, mogą występować krótkie spadki napięcia podczas uruchamiania urządzenia lub w trakcie jego eksploatacji. Taka sytuacja może być powodem zakłóceń innych urządzeń elektrycznych, np. migotanie lamp, zwłaszcza tych podłączonych do tego samego gniazdka zasilającego.

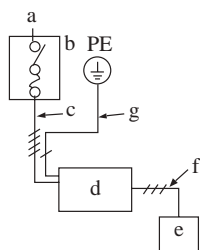
POŁĄCZENIA KABLOWE

- Wszystkie roboty elektryczne muszą być wykonywane przez wykwalifikowanych elektryków i zgodnie z miejscowymi wymaganiami i stosowanym prawem.

Łączenie przewodu elektrycznego

Przed podłączeniem przewodu należy skonsultować się z właściwym przedsiębiorstwem energetycznym.

1. Cały schemat elektryczny urządzenia



a	Zasilanie
b	Przełącznik główny/ bezpiecznik (pole zasilania)
c	Instalacja zasilająca urządzenie
d	Urządzenie
e	Zdalne sterowanie
f	Podłączenie instalacji elektrycznej do urządzenia i zdalne sterowanie
g	Uziemienie

2. Podłączenie instalacji elektrycznej do urządzenia

Przeprowadź przewody zasilające i przewód sterujący poprzez wyłamywane otwory oraz otwory na przewody w urządzeniu. Zdjąć poszycia obsługowe i podłączyć przewody zasilające urządzenia do listwy zaciskowej wewnątrz członu sterującego, jak pokazano. W celu poprawnego zamontowania przewodów elektrycznych skorzystaj ze zwalnianych przez nacisk zacisków zlokalizowanych u spodu terminalu.

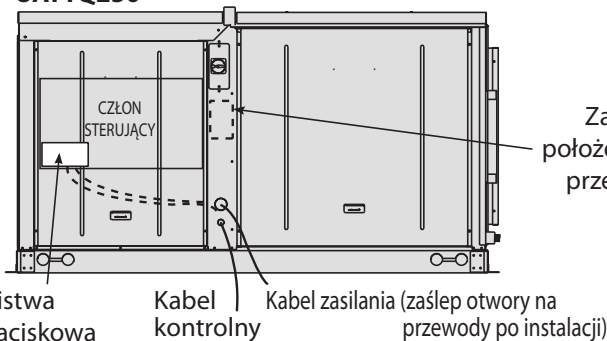
Uwaga

Podczas instalowania wyłącznika automatycznego (bezpiecznika) w urządzeniu należy upewnić się, że wkręty nie uszkodziły komponentów (np. cewki) wewnątrz urządzenia.

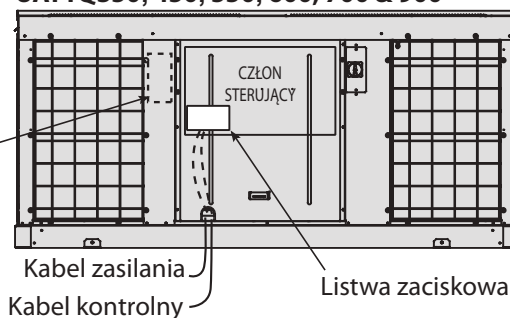
Puszka przełącznika również może być instalowana bez mocowania do urządzenia.

Wyłamywane otwory na przewody znajdują się wyłącznie w modelu UATYQ250; model UATYQ350, UATYQ450, UATYQ550, UATYQ600, UATYQ700 & UATYQ900 dostarczany jest z otworem na kabel zasilania.

UATYQ250



UATYQ350, 450, 550, 600, 700 & 900



Zalecane
położenie
puszki
przełącznika

Przykład instalacji elektrycznej i wybór bezpiecznika

Model	Kabel zasilania (mm ²)	Zdolność wyłączenia bezpiecznika (A)	Przełącznik zabezpieczenia nadprądowego (A)	Kabel uziemienia (mm ²)
UATYQ250	4	32	32	4
UATYQ350	6	40	40	6
UATYQ450	10	40	40	10
UATYQ550	10	50	50	10
UATYQ600	16	63	63	16
UATYQ700	25	80	80	25
UATYQ900	35	100	100	35

Uwaga

Przełącznik główny lub inne środki odłączające, mające wyłącznik wielobiegunowy, muszą być umieszczone w instalacji stałej zgodnie z miejscowym i krajowym prawem.

- Urządzenie jest połączone przewodem bezpośrednio z elektrycznej tablicy rozdzielczej albo przez wyłącznik automatyczny (rozwiązanie preferowane) albo przez bezpiecznik HRC.
- Przymocować przewód zasilania do modułu sterowania. Podłączyć przewód sterowania do listwy zaciskowej sterowania poprzez otwór członu sterującego.
- Musi być podłączony przewód uziemiający.
- Kabel zasilania musi być równoważny H07RN-F, co jest minimalnym wymaganiem, oraz musi być używany w rurce zabezpieczającej.
- Wszystkie styki sieci energetycznej muszą być odłączone z wyłącznikiem wielobiegunowym z przynajmniej 3mm.



OSTRZEŻENIE

- Przed rozpoczęciem prac w obszarze urządzenia należy odizolować je od zasilania.
- Instalacja elektryczna urządzenia i zdalnego sterowania musi być wykonywana zgodnie z odpowiednimi wymaganiami miejscowych przepisów dotyczących instalacji elektrycznych.

Podczas podłączania przewodów do listwy zaciskowej należy przestrzegać uwag przedstawionych poniżej. Przy instalacji zasilania należy zachować szczególne środki ostrożności.

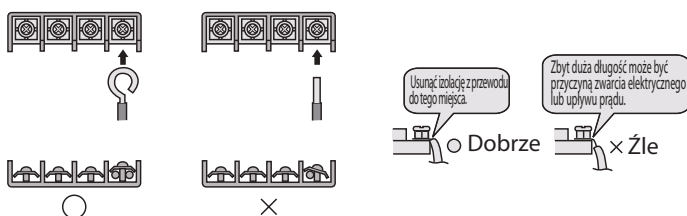
(do podłączenia do listwy zaciskowej należy używać przewodów z płaską końcówką oczkową. W przypadku, gdy nie można ich użyć z uzasadnionych przyczyn, należy przestrzegać poniższych instrukcji.)

Przewód z płaską końcówką zaciskową



UWAGA

Gdy do listwy zaciskowej podłączane są przewody z pojedynczą żyłą, należy ją owinąć wokół trzpienia śruby zaciskowej. Nieprawidłowo wykonane połączenie może powodować wytwarzanie się ciepła i pożar.



Przewód bez izolacji wsuwany w listwę zaciskową

- Pociągnąć przewód i sprawdzić, czy się nie rozłącza. Następnie zamocować przewód na miejscu.

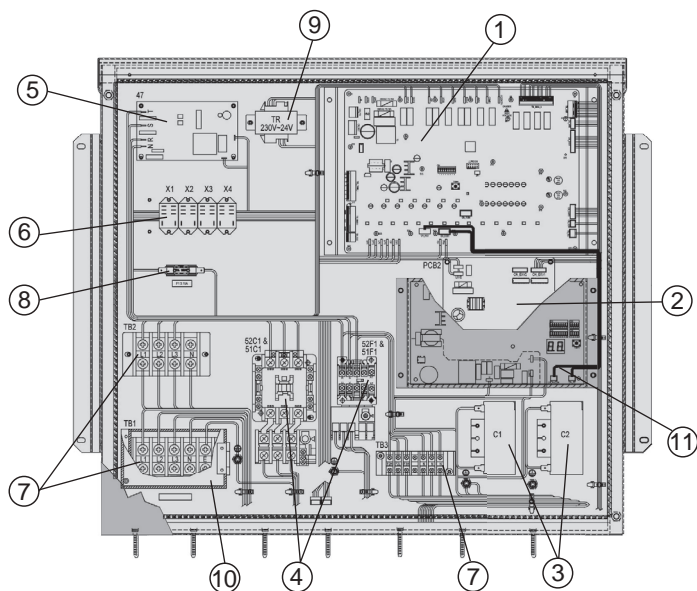


OSTRZEŻENIE

- Przewód transmisyjny należy poprowadzić co najmniej 50 mm od kabla zasilania.
- Przewód transmisyjny powinien być przewodem ekranowanym.

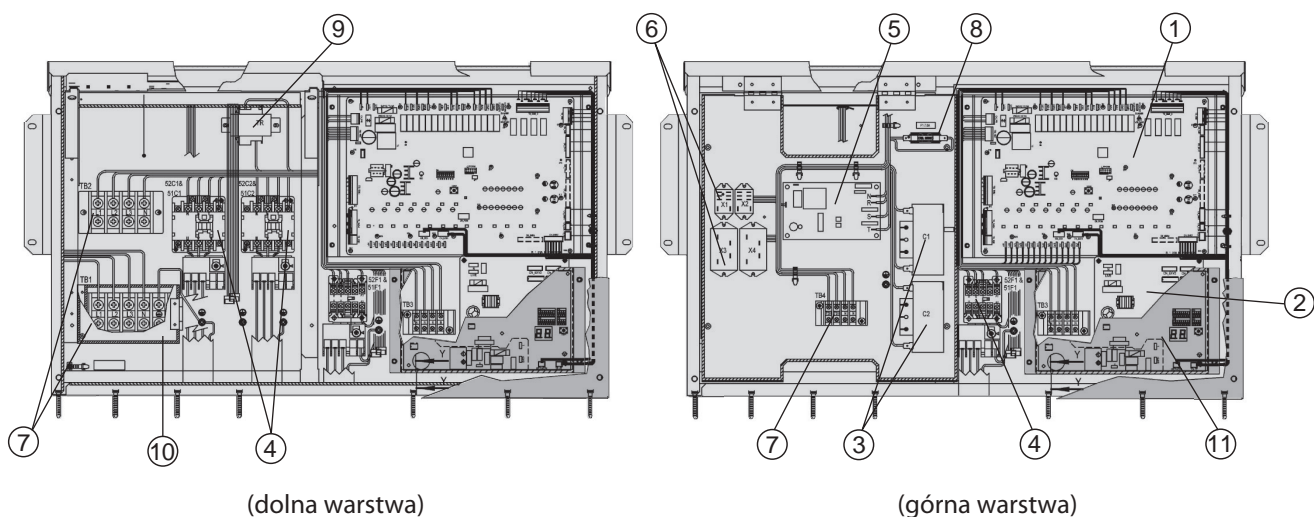
Poniżej przedstawiono rozmieszczenie listew zaciskowych i komponentów urządzenia sterującego:

A Moduł sterowania UATYQ250



Nr	Opis elementów
1	Płyta główna urządzenia sterującego
2	Płyta sterownika EXV
3	Kondensator
4	Stycznik
5	Ochronnik fazowy
6	Przełącznik
7	Listwa zaciskowa
8	Bezpiecznik
9	Transformator
10	Pokrywa terminalu
11	Tablica kontrolna podgrzewacza

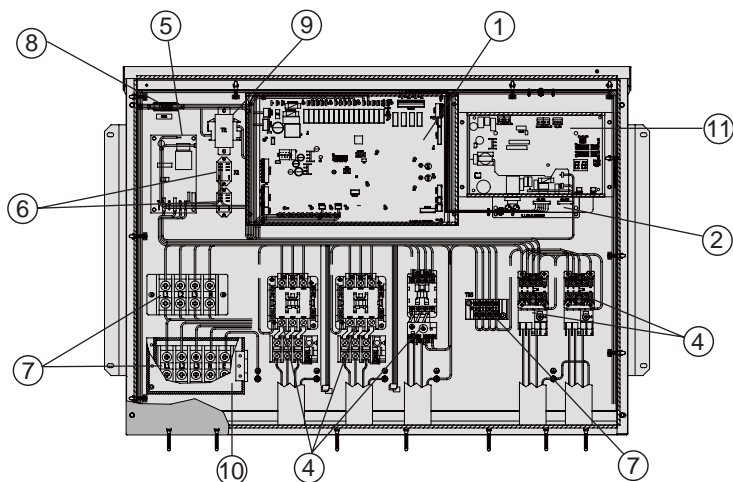
B Moduł sterowania UATYQ350/450/550



(dolna warstwa)

(górną warstwa)

C Moduł sterowania UATYQ600/700/900



⚠ OSTRZEŻENIE

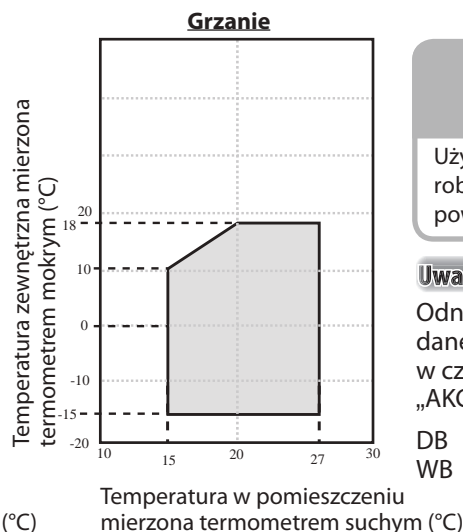
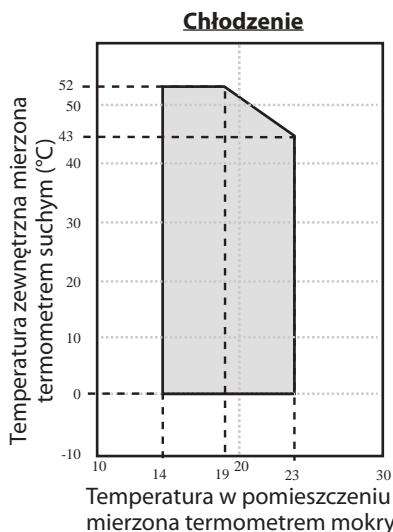
Jeżeli główny wyłącznik zasilania jest wyłączony, blok zacisków (TB1) pozostanie na żywo, gdy izolator jest wyłączony

Uwaga

Element 11 (Tablica Kontrolna Podgrzewacza) może być używana razem z zestawem podgrzewacza który dołączony jest osobno jako dodatek.

ZAKRES ROBOCZY

Należy mieć na uwadze fakt, czy temperatura robocza mieści się w dopuszczalnym zakresie, jak określono to na poniższym rysunku:



PRZESTROGA

Użycie klimatyzatora poza zakresem temperatur roboczych i wilgotności może spowodować poważne uszkodzenia.

Uwaga

Odnieś się do Obszar Działania, aby uzyskać dane dla urządzenia z opcją podgrzewacza w części (E)(vi) rozdziału „AKCESORIA DODATKOWE”.

DB = Żarówka termostatu

WB = Żarówka z knotem parowym

PRZEWODNIK OPERACJI STEROWANIA

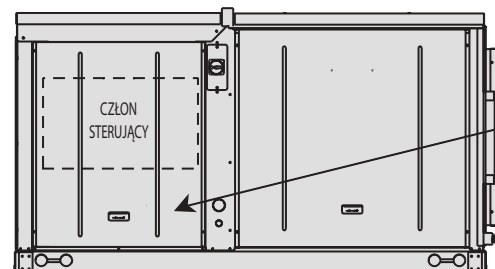
Urządzenie jest wyposażone w płytę główną urządzenia sterującego, a przewodowe zdalne urządzenie sterujące jest do niej podłączone.

Wszystkie ustawienia urządzenia zostały dokonane przez producenta. Nie zaleca się dokonywania zmian tych ustawień, o ile nie jest to niezbędne lub zalecane.

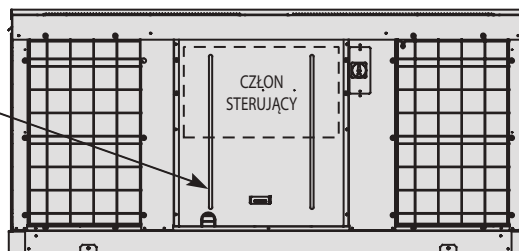
a) Lokalizacja zdalnego urządzenia sterującego

Zdalne urządzenie sterujące jest umieszczone na metalowym wsporniku za panelem obsługowym. Wraz z nim znajduje się instrukcja instalacji.

UATYQ250



UATYQ350, 450, 550, 600, 700 & 900



Usuń panel

b) Wyświetlacz diodowy (płyta główna urządzenia sterującego)

Wyświetlacz będzie migotał, gdy urządzenie jest zasilane.

c) Wyświetlacz LCD (zdalne urządzenie sterujące)

Podczas normalnej pracy wyświetlacz pokazuje, czy sprężarka jest włączona/wyłączona, tryb, ustawioną temperaturę, itp. Szczegółowe informacje dotyczące pracy tego urządzenia podane są w Instrukcji obsługi. Na wyświetlaczu LCD po włączeniu zasilania zostanie wyświetlony główny ekran. W przypadku wadliwego działania na wyświetlaczu LCD pojawi się komunikat w okienku z podświetlonym tłem oraz słyszalny będzie sygnał dźwiękowy „beep”.

d) Opcjonalne konfiguracje

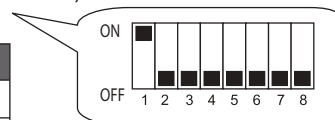
Opcjonalne konfiguracje Płyta główna urządzenia sterującego może być używana jako interfejs dla sterowania termostatem i systemu BMS.

(i) Sterowanie termostatu (TB_THM-I)

- Aby użyć tego sterowania, należy ustawić przełącznik DIP: SW1-ON (domyślnie ustawione jest OFF).
- Do wejść sterowania termostatem należy wykorzystać poniższą metodę:

G	Y1	Y2	W1	W2	Tryb	działania
0	0	0	0	0	-	Urządzenie wyłączone (OFF)
1	0	0	0	0	Wentylatora	Wewnętrzny wentylator włączony (ON)
X	1	0	X	X	Chłodzenie	1 stopień sprężarki
X	1	1	X	X	Chłodzenie	2 stopień sprężarki
X	0	X	1	0	Pompa ciepła/nagrzewnica	1 stopień sprężarki
X	0	X	1	1	Pompa ciepła/nagrzewnica	2 stopień sprężarki

Uwaga: X = Nie dotyczy.



- W poniższej tabeli zawarte są zalecenia dotyczące instalacji:

Wejście	Napięcie znamionowe	Prąd znamionowy	Rozmiar przewodu
G	24V AC	5mA	AWG18~22
Y1			
Y2			
W1			
W2			

Uwaga

- Gdy płyta główna urządzenia sterującego jest skonfigurowana jako sterowanie termostatem, zdalne urządzenie sterujące jest używane tylko do celów monitoringu.
- Urządzenie wymaga ponownego uruchomienia (zasilanie wyłączone i włączone) za każdym razem, gdy zmienione jest ustawienie przełącznika DIP.

(ii) Sterowanie BMS (TB_BMS-I)

- Aby użyć tego sterowania, należy ustawić przełącznik DIP: SW3 - ON (domyślnie ustawione jest OFF), a parametr G8 na '1' (domyślnie ustawione jest '0').

Uwaga

- G8 = Rodzaj ustawienia
0 = Panel
1 = BMS
2 = DEC
- Dla TB_BMS-I, są 3 wejścia sterujące: urządzenie ON/OFF; tryb roboczy (chłodzenie-0/grzanie-1); punkt nastawczy (4~20mA),
- W poniższej tabeli zawarte są zalecenia dotyczące instalacji:



Wejście TB_BMS-I	Napięcie znamionowe	Prąd znamionowy	Rozmiar przewodu
ON/OFF	24V AC	5mA	AWG18~22
Tryb roboczy	24V AC	5mA	
Chłodzenie/grzanie — punkt ustawczy	-	4~20mA	

Uwaga

- Gdy płyta główna urządzenia sterującego jest skonfigurowana jako sterowanie BMS, zdalne urządzenie sterujące jest używane tylko do celów monitoringu.
- Urządzenie wymaga ponownego uruchomienia (zasilanie wyłączone i włączone) za każdym razem, gdy zmienione jest ustawienie przełącznika DIP.

(iii) Wyjście bezprądowe (TB_BMS-O)

- Dla TB_BMS-O są 4 monitorowane wyjścia: alarm błędu; wyjście1; wyjście2; sygnał rozmrażania.
- W poniższej tabeli zawarte są zalecenia dotyczące instalacji:

Wejście TB_BMS-O	Napięcie znamionowe	Prąd znamionowy (A)	Rozmiar przewodu
Wyjście alarmu (AL)	230V AC/125V AC/30V DC	1/3/3	AWG18~22
Wyjście1 (O1)	230V AC/125V AC/30V DC	2/3/3	
Wyjście2 (O2)	230V AC/125V AC/30V DC	3/3/3	
Sygnał rozmrażania (DFRT)	230V AC/125V AC/30V DC	4/3/3	

- Sygnały wyjściowe będą różnić się w zależności od konfiguracji płyty głównej urządzenia sterującego, niezależnie od tego, czy jest to sterowanie termostatu czy sterowanie BMS.

(1) W przypadku sterowania termostatu wyjścia są określone tak, jak pokazano to w poniższej tabeli.

Wejście termostatu (SW1-ON)					BŁĄD	ROZMRAŻANIE	Wyjście alarmu	Wyjście 1	Wyjście 2	Sygnał rozmrażania
G	Y1	Y2	W1	W2			(AL)	(O1)	(O2)	(DFRT)
0	0	0	0	0	X	X	X	0	0	X
1	0	0	0	0	X	X	X	0	1	X
X	1	0	X	X	X	X	X	1	0	X
X	1	1	X	X	X	X	X	1	0	X
X	0	X	1	0	X	X	X	1	1	X
X	0	X	1	1	X	X	X	1	1	X
X	X	X	X	X	1	X	1	X	X	X
X	X	X	X	X	X	1	X	X	X	1

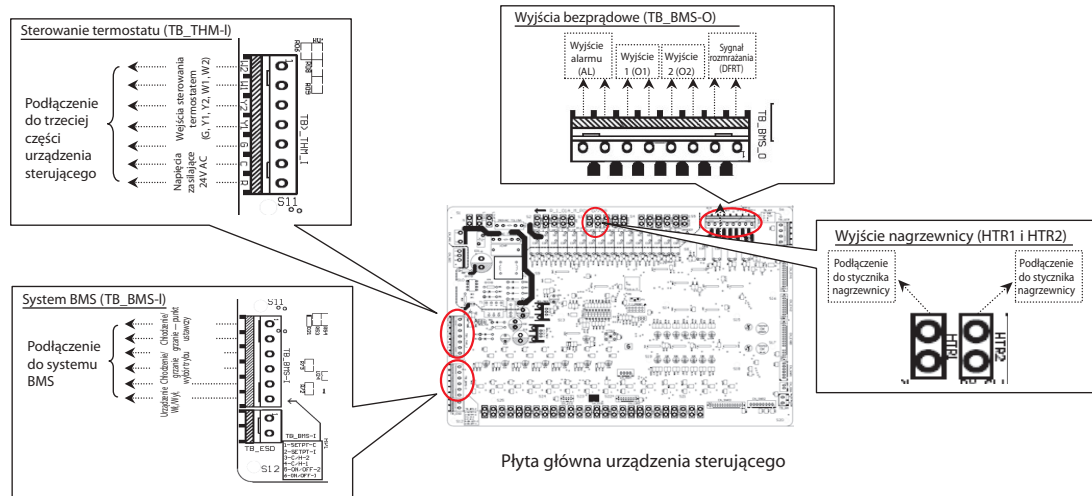
Uwaga: X = Nie dotyczy.

(2) W przypadku sterowania BMS, wyjścia są określone tak, jak pokazano to w poniższej tabeli.

Wejście BMS (SW3-ON)			BŁĄD	ROZMRAŻANIE	Wyjście alarmu	Wyjście 1	Wyjście 2	Sygnał rozmrażania
ON/OFF	TRYB ROBOCZY	CHŁODZENIE/GRZANIE PUNKT USTAWCZY			(AL)	(O1)	(O2)	(DFRT)
0	0	X	X	X	X	0	0	X
0	1	X	X	X	X	0	1	X
1	0	X	X	X	X	1	0	X
1	1	X	X	X	X	1	1	X
X	X	X	1	X	1	X	X	X
X	X	X	X	1	X	X	X	1

Uwaga: X = Nie dotyczy.

Na poniższym rysunku pokazano położenie listew zaciskowych w płycie urządzenia sterującego, które są używane do sterowania termostatem i systemem BMS. Oprócz tego, pokazano również piny wyjścia dla pomocniczej nagrzewnicy elektrycznej.



(iv) Wyjście pomocniczej nagrzewnicy elektrycznej (HTR1 i HTR2)

- Na płycie głównej urządzenia sterującego znajdują się dwa piny wyjściowe (HTR1 i HTR2), które używane są do zasilania stycznika nagrzewnicy. Stycznik musi być odpowiednio wybrany, aby uniknąć wszelkich kwestii związanych z bezpieczeństwem.
- Nagrzewnica musi być zainstalowana zgodnie z miejscowym i krajowym prawem. Musi być zgodna z EN60335-2-40.
- W nagrzewnicy musi być zainstalowany bezpiecznik (lub bezpieczniki) termiczne, aby wyeliminować wszelkie zagrożenia lub uszkodzenia nagrzewnicy/urządzenia. Jest to szczególnie ważne, gdy zdarzy się jakiegokolwiek wadliwe działanie płyty głównej urządzenia sterującego lub dmuchawy.
- Nagrzewnica musi być umieszczona w bezpiecznym miejscu, ażeby nie wystąpiło żadne ryzyko uszkodzenia urządzenia.
- W urządzeniach, w których zainstalowana jest nagrzewnica należy używać przewodów powietrznych z niepalnych materiałów.
- Należy używać różnych źródeł zasilania dla elektrycznej nagrzewnicy i zainstalować wyłącznik automatyczny dla każdej nagrzewnicy.
- Maksymalna temperatura urządzenia nie może przekroczyć 60°C. Pomiar temperatury powinien być dokonany podczas instalacji lub pierwszego uruchomienia, ażeby sprawdzić, czy temperatura nie jest wyższa niż ta wartość.
- Należy odpowiednio dobrać właściwe urządzenie bezpieczeństwa lub zabezpieczenie termiczne.
- Nagrzewnica nigdy nie może być zainstalowana wewnątrz urządzenia. Zalecane miejsce dla nagrzewnicy to wnętrze przewodu nawiewnego, przez co odległość nagrzewnicy jest wystarczająca do zapewnienia, że temperatura wewnątrz urządzenia nie przekroczy 60°C.

(v) Terminal podgrzewacza

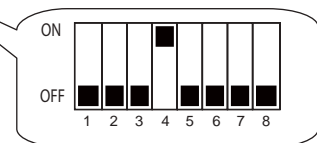
- Upewnij się, że podgrzewacz został zamontowany przy urządzeniu dachowym zanim uruchomisz funkcję podgrzewacza na głównej tablicy terminala. W innym przypadku wystąpi błąd.
- W celu aktywacji podgrzewacza ustaw przełącznik DIP: SW4 - ON (domyślnie OFF) na głównej tablicy terminalu oraz parametr panelu G6 na '1' (domyślnie '0').

Uwaga

G6 = Terminal podgrzewacza

0 = wyłącz

1 = włącz.



- Na terminalu podgrzewacza znajdują się 4 przełączniki typu DIP oraz 3 zworki, które w zależności od potrzeb dają dużą elastyczność ustaw:

 - Przełącznik DIP 1: Minimalne ustawienie otwarcia wlotu świeżego powietrza w trybie podgrzewania, gdzie wybór różnych bolców pozwala na różne ustawienia otwarcia. SW1: 5%, SW2: 10%, SW3: 15%, SW4: 20%, SW5: 25%, SW6/7/8: brak funkcji, Domyślnie: 0% (brak wyboru, wszystko wyłączone).
 - Przełącznik DIP 2: Minimalne ustawienie otwarcia wlotu świeżego powietrza w trybie chłodzenia, gdzie wybór różnych bolców pozwala na różne ustawienia otwarcia. SW1: 0%, SW2: 5%, SW3: 15%, SW4: 20%, SW5: 25%, SW6/7/8: brak funkcji, Domyślnie: 10% (brak wyboru, wszystko wyłączone).
 - Przełącznik DIP 3: Wybór wartości poziomu progu CO₂ PPM, gdzie wybór odpowiednich bolców pozwala na ustawienie różnych wartości. SW1: 25%, SW2: 50%, SW3: 75%, SW4: 100%, Domyślnie: 0% (brak wyboru, wszystko wyłączone).
 - Przełącznik DIP 4: Typ operacji wymagający następujących ustawień:-
SW1: OFF = Działanie różnicujące temperaturę (domyślnie), ON = Brak funkcji w danym momencie.
SW2: OFF = Tryb podgrzewacza (domyślnie), ON = Tryb świeżego powietrza.
SW3: OFF = Ochrona przed zbyt dużym wychłodzeniem jest aktywna (domyślnie), ON = Ochrona przed zbyt dużym wychłodzeniem nie jest aktywna.

Zworki 1, 2 oraz 3: wlotu świeżego powietrza w trybie wiatraka, gdzie wybór różnych bolców pozwala na różne ustawienia otwarcia. Nazwy zwerek 1 = JP1, 2 = JP2 oraz 3 = JP3; poniższa tabela reprezentuje różne warianty otwarcia wlotu świeżego powietrza:-

Poziom wlotu świeżego powietrza (%)	JP1	JP2	JP3
0 (domyślnie)	OFF	OFF	OFF
10	OFF	OFF	ON
20	OFF	ON	OFF
30	OFF	ON	ON
40	ON	OFF	OFF
50	ON	OFF	ON
70	ON	ON	OFF
85	ON	ON	ON

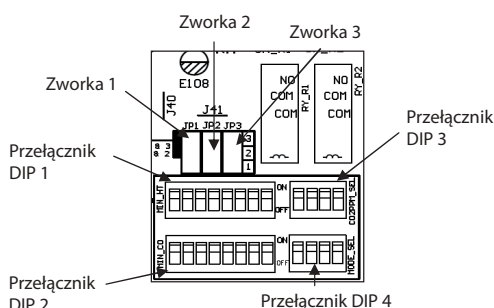
Legenda: OFF = Krótki bolec 2 oraz 3
ON = Krótki bolec 1 oraz 2



UWAGA

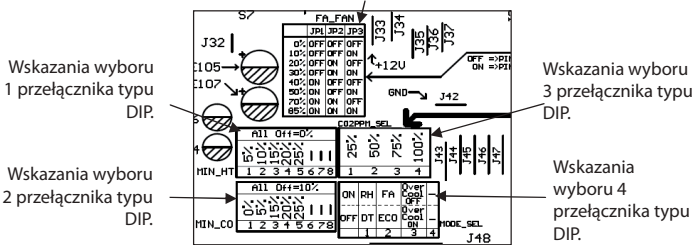
1, 2 oraz 3 przełącznik typu DIP pozwalają na wybór tylko jednego bolca. Wybór kilku bolców spowoduje błąd, a urządzenie przejdzie w domyślny tryb działania. 4 przełącznik typu DIP pozwala na wybór kilku bolców.

Lokalizacja przełączników typu DIP oraz zwerek na terminalu podgrzewacza:



Wskazania na terminalu podgrzewacza:

Wskazania sposobów wyboru zwerek 1, 2 oraz 3.

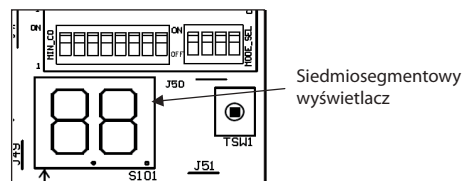


- Na terminalu podgrzewacza znajdują się dwie diody LED: czerwona oraz zielona. Zielona dioda będzie mrgała, kiedy terminal podgrzewacza jest podłączony do zasilania. Czerwona dioda będzie mrgała w przypadku pojawienia się błęd(ów). W poniższej tabeli opisano znaczenie kodów błędów:-

Kod błędu	Usterka
F0	Uszkodzenie / usterka siłownika świeżego powietrza
F1	Uszkodzenie / usterka siłownika powietrza powrotnego
F2	Błąd komunikacyjny
F3	Zwarcie czujnika CO ₂
F4	Otwarty czujnik CO ₂
F5	Zwarcie czujnika RH świeżego powietrza
F6	Otwarty czujnik RH świeżego powietrza
F7	Zwarcie czujnika RH powietrza powracającego
F8	Otwarty czujnik RH powietrza powracającego
F9	Aktywacja ochrony siłownika
FA	Wybór kilku bolców w przełącznikach typu DIP 1, 2 oraz 3

Uwaga

Kody błędów wyświetlane będą na siedmiosegmentowym wyświetlaczu terminala podgrzewacza.



Uwaga

Jeśli pojawi się błąd, a usterka nie ustąpi prosimy o kontakt z autoryzowanym dystrybutorem lub serwisantem w celu naprawy. Zapewniamy, że wszelkie błędy terminala podgrzewacza nie będą miały wpływu na pracę urządzenia znajdującego się na dachu.

Uwaga jest ważny dla Turcji tylko: żywotność naszych produktów jest dziesięć (10) lat

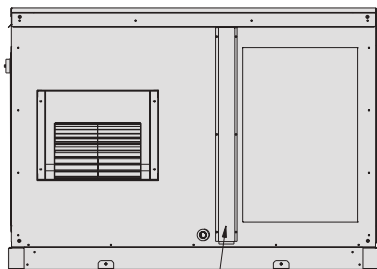
OBSŁUGA FILTRA

- Usunąć wszelki kurz przyczepiony do filtra za pomocą odkurzacza lub przemyć w letniej wodzie (poniżej 40°C) z neutralnym detergentem.
- Przed ponownym umieszczeniem filtra w urządzeniu należy go dokładnie wypłukać i wysuszyć.
- Do czyszczenia filtra nie używać benzyny, substancji lotnych lub środków chemicznych.
- Filtr czyścić przynajmniej raz na dwa tygodnie. Ewentualnie częściej, jeżeli jest to niezbędne.

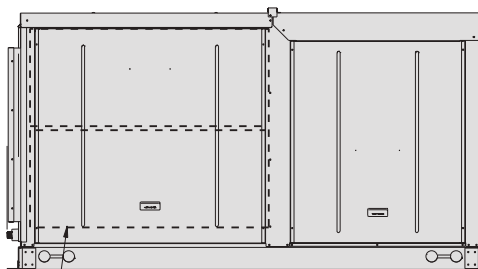
Położenie filtra

Filtry są zamontowane z przodu wewnętrznego wymiennika ciepła.

Na rysunku pokazano urządzenie model UATYQ250. W przypadku innych modeli należy postępować w taki sam sposób.

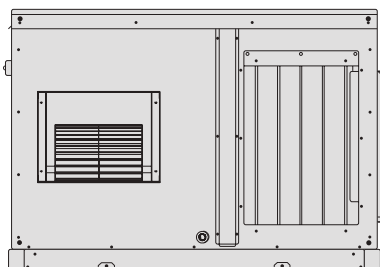


W celu obsługi filtra należy zdjąć jego pokrywę.



Alternatywnie, w celu serwisowania filtra można zdjąć panel obsługowy.

Urządzenia, które instalowane są razem z podgrzewaczem posiadają jeden dodatkowy filtr montowany na dole kaptura przeciwdeszczowego. Urządzenie pokazane na diagramie to UATYQ250 + podgrzewacz. W przypadku innych modeli należy postępować w taki sam sposób.



Kaptur przeciwdeszczowy

Usuń pokrywę filtra z kaptura przeciwdeszczowego podczas serwisowania filtra.



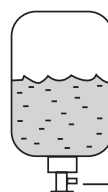
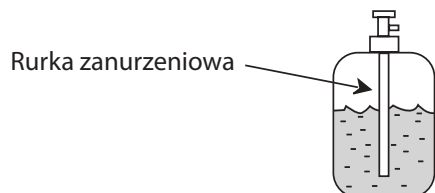
UWAGA

Upewnij się, że filtr został umieszczony poprawnie, a pokrywa filtra, chroniąca przed przeciekaniem wody, została mocno przytwierdzona po zakończonym serwisie. Jeśli to konieczne, należy zastosować wodoodporny uszczelniać, w celu upewnienia się, że pokrywa filtra oraz kaptur przeciwdeszczowy nie przeciekają.

WYTWARZANIE PODCIŚNIENIA I ŁADOWANIE

Urządzenia dachowe (typu „rooftop”) są fabrycznie wstępnie ładowane odpowiednim czynnikiem chłodniczym. Jednakże może zachodzić potrzeba doładowania podczas prac obsługowych i konserwacyjnych. Dlatego też, należy przedsięwziąć stosowne środki ostrożności, aby zapewnić optymalne i bezproblemowe działanie systemu:

- W systemie należy wytworzyć próżnię tak, aby nie występowały w nim czynniki nieściśliwe (gaz i wilgoć).
- Używać pompy próżniowej przeznaczonej wyłącznie dla R410A. Używanie tej samej pompy próżniowej do różnych czynników chłodniczych może spowodować uszkodzenie pompy lub klimatyzatora.
- Czynnik chłodniczy nigdy nie powinien być wyprowadzany bezpośrednio do otoczenia.
- Gdy ładowany jest R410A, należy upewnić się, że tylko płyn jest wycofywany z cylindra lub komory.



Odwrócić cylinder bez rurki zanurzeniowej

Wycofywanie płynu

Cylinder R410A lub komora wyposażone są generalnie w rurki zanurzeniowe do wycofania płynu. Jednakże, jeżeli rurka zanurzeniowa nie jest dostępna, należy odwrócić cylinder lub komorę tak, aby wycofać płyn z zaworu na dnie.



PRZESTROGA

- R410A musi być ładowany jako płyn. Zwykle cylinder R410A jest wyposażony w rurkę zanurzeniową do wycofywania płynu. Jeżeli rurka zanurzeniowa nie występuje, cylinder powinien być odwrócony tak, aby wycofać płyn R410A z zaworu.
- Nie uzupełniać w przypadku wycieku w czasie obsługi, gdyż obniża to wydajność urządzenia. Należy w urządzeniu wytworzyć próżnię, a następnie załadować je świeżym płynem R410A do objętości zalecanej w specyfikacji.

ROZWIĄZYWANIE PROBLEMÓW

W przypadku potrzeby zamówienia części zamiennych należy skontaktować się z autoryzowanym dilerem. W przypadku wadliwego działania zespołu klimatyzatora należy sprawdzić, czy usterka nie jest ujęta w poniższych opisach, sprawdzić przyczynę jej powstawania i postępować zgodnie z proponowanym sposobem jej usunięcia.

Problem	Przyczyny	Działanie
Urządzenie nie pracuje.	<ul style="list-style-type: none"> ● Awaria zasilania. ● Przepalony bezpiecznik lub wyrzucony wyłącznik automatyczny. ● Nieprawidłowa faza instalacji zasilającej. 	<ul style="list-style-type: none"> ▶ ● Wcisnąć [ON/OFF] po przywróceniu zasilania. ▶ ● Wymienić bezpiecznik lub zresetować wyłącznik automatyczny. ▶ ● Zmodyfikować fazę instalacji.
Sprężarka nie pracuje w 3 minucie po uruchomieniu urządzenia.	<ul style="list-style-type: none"> ● Zabezpieczenie przed częstym uruchamianiem. 	<ul style="list-style-type: none"> ▶ ● Odczekać 3 minuty na uruchomienie sprężarki.
Słaby przepływ powietrza.	<ul style="list-style-type: none"> ● Filtr zatkany kurzem i brudem. ● Przeszkody we wlocie lub wylocie powietrza z urządzenia. 	<ul style="list-style-type: none"> ▶ ● Oczyszczyć filtr. ▶ ● Usunąć przeszkody.
Sprężarka ciągle pracuje.	<ul style="list-style-type: none"> ● Brudny filtr powietrza. ● Ustawienie temperatury zbyt niskie (dla chłodzenia). ● Ustawienie temperatury zbyt wysokie (dla grzania). 	<ul style="list-style-type: none"> ▶ ● Oczyszczyć filtr powietrza. ▶ ● Zresetować temperaturę.
Nie jest dostarczane zimne powietrze podczas cyklu chłodzenia lub nie jest dostarczane gorące powietrze podczas cyklu grzania.	<ul style="list-style-type: none"> ● Ustawienie temperatury zbyt wysokie (dla chłodzenia). ● Ustawienie temperatury zbyt niskie (dla grzania). 	<ul style="list-style-type: none"> ▶ ● Ustawić niższą temperaturę. ▶ ● Ustawić wyższą temperaturę.
W cyklu grzania nie jest dostarczane powietrze (UATYQ250). Ewentualnie, dostarczane powietrze nie jest dostatecznie ciepłe (UATYQ350/450/550/600/700/900).	<ul style="list-style-type: none"> ● Urządzenie jest w cyklu rozmrażania. 	<ul style="list-style-type: none"> ▶ ● Odczekać chwilę. (po zakończeniu rozmrażania rozpocznie się ponowne dostarczanie ciepłego powietrza.)

Jeżeli usterki utrzymują się, należy skontaktować się z miejscowym autoryzowanym dilerem lub pracownikiem serwisu.

PODGRZEWACZ

A Wstęp

Zestaw podgrzewacza jest akcesorium dostarczonym przez producenta, ale wymaga instalacji na miejscu. Zestaw podgrzewacza jest kompatybilny z modelami dachowymi R410A. Jeśli nie ma pewności czy zestaw może być wykorzystany w danym urządzeniu, należy skontaktować się z autoryzowanym serwisantem. Dzięki podgrzewaczowi można mieszać powietrze zewnętrzne z powietrzem powracającym, co "darmowo" schładza temperaturę jeśli temperatura zewnętrzna jest odpowiednia. Chłodzenie ochładzaczem może być używane samodzielnie lub w połączeniu z chłodzeniem mechanicznym. Poza tym ochładzacz może być używany do wentylacji, co zwiększy jakość powietrza wewnątrz pomieszczenia. Jest to szczególnie ważne, aby wybrać odpowiedni zestaw ochładzacza. W celu wykonania odpowiedniego wyboru odnieś się do tabeli poniżej:

Nr	Urządzenie dachowe	Ochładzacz kompatybilny z urządzeniem dachowym
1	UATYQ250	ECONO250
2	UATYQ350	ECONO350
3	UATYQ450	ECONO450
4	UATYQ550	ECONO550
5	UATYQ600	ECONO600
6	UATYQ700	ECONO700
7	UATYQ900	ECONO900

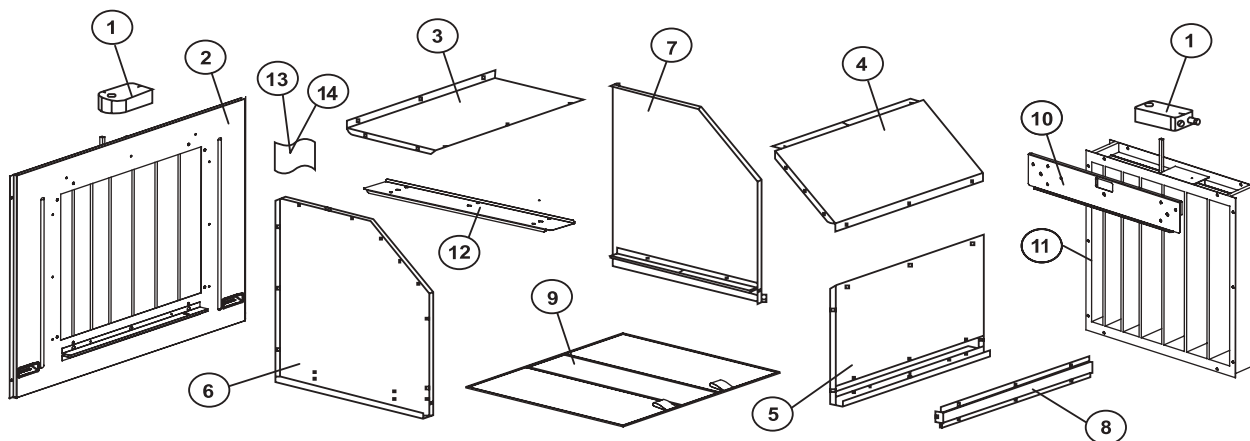
Uwaga

Nieprawidłowy wybór może uniemożliwić instalację ochładzacza przy urządzeniu dachowym.

B Kontrola przedinstalacyjna

(i) Części Zestawu Podgrzewacza

Przed instalacją zaleca się sprawdzenie zawartości zestawu ochładzacza zaraz po wyjęciu go z opakowania. Zestaw zawiera następujące komponenty:

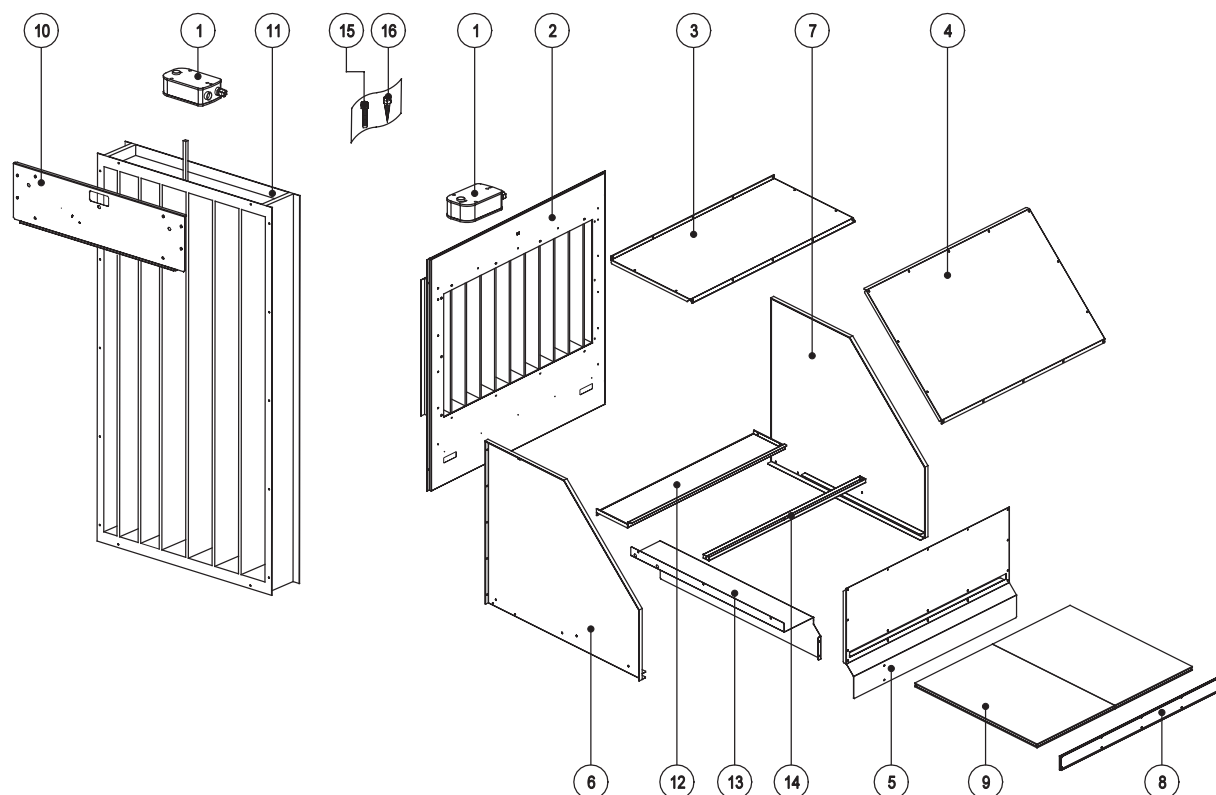


Nr	Opis elementów	Ilość (zestaw)
1	Siłownik Belimo, LF24-SR	2
2	Panel boczny z zewnętrznym zwilżaczem powietrza	1
3	Pokrywa, panel górny	1
4	Pokrywa, panel środkowy	1
5	Pokrywa, panel dolny	1
6	Pokrywa, panel boczny lewy	1
7	Pokrywa, panel boczny prawy	1

Nr	Opis elementów	Ilość (zestaw)
8	Pokrywa filtra	1
9	Filtr	1
10	Wspornik podporowy, zwilżacz powietrza powracającego	1
11	Zwilżacz powietrza powracającego	1
12	Podpórka wspierająca spodnia	1
13	Śruby, M5x16	55
14	Śruby, M4x12	4

* Wspornik podtrzymujący, wejście od dołu (element 12) nie jest dostępny z ECONO700.

(ii) Części Zestawu Podgrzewacza UATY900



Nr	Opis elementów	Ilość (zestaw)
1	Siłownik Belimo, LF24-SR	2
2	Panel boczny z zewnętrznym zwilżaczem powietrza	1
3	Pokrywa, panel górny	1
4	Pokrywa, panel środkowy	1
5	Pokrywa, panel przedni	1
6	Pokrywa, panel boczny lewy	1
7	Pokrywa, panel boczny prawy	1
8	Pokrywa filtra	1

Nr	Opis elementów	Ilość (zestaw)
9	Filtr	1
10	Wspornik podporowy, zwilżacz powietrza powracającego	1
11	Zwilżacz powietrza powracającego	1
12	Pokrywa, panel dolny	1
13	Kołnierz powietrza Pokrywa 1	1
14	Filtr wsparcie	1
15	Śruby, M5x16	97
16	Śruby, M4x12	4

Uwaga

Skontaktuj się z autoryzowanym serwisem jeśli akcesoria są niekompletne lub uszkodzone.

(iii) **Prześwit urządzenia**

Upewnij się, że urządzenie po instalacji będzie posiadało wystarczającą ilość wolnego miejsca na swobodne: przepływ powietrza, serwisowanie oraz okablowanie. Na wlocie powietrza nie powinno być, żadnych przeszkód. Odnieś się do części (F) w rozdziale 'INSTALACJZ URZĄDZENIA, który znajduje się w tym podręczniku. Nie zastosowanie się do tych wskazówek może skutkować niskim przepływem powietrza lub uszkodzeniem urządzenia.

(iv) Miejsce instalacji

Zastosuj się do zaleceń w części (A) w rozdziale „INSTALACJI URZĄDZENIA”, który znajduje się w tym podręczniku. Dodatkowo, należy sprawdzić warunki montażu w pobliżu zestawu, gdzie:

- W prześwicie pomiędzy kapturem przeciwdeszczowym oraz podłożem nie powinna zbierać się woda ani śnieg.
- Wlot świeżego powietrza nie powinien być skierowany w kierunku wiatru.
- Powietrze na zewnątrz nie powinno być czyste i bezzapachowe, zgodne z ustalonymi limitami nagromadzenia się kilku zanieczyszczeń, oraz nie przekracza ustalonego progu wartości (TLV) toksyczności.

(v) Działanie nawilżacza

Sprawdź obydwa nawilżacze w ochładzacz. Są to elementy nr 2 oraz 11 obracając szyb zwilżacza o +90° oraz -90° (z w pełni otwartego do w pełni zamkniętego i vice versa). Obracanie zwilżacza powinno przebiegać gładko i lekko. Jeśli wystąpią jakiegokolwiek uszkodzenia lub odstępstwa od normalności należy powiadomić autoryzowany serwis.

C Narzędzia i materiały wymagane do instalacji

- | | |
|------------------------------------------------|---------------------------------------------------------------------|
| (i) Wkrętarka z różnymi końcówkami | (vii) Klucz francuz (mały) |
| (ii) Wiertarka elektryczna z różnymi wiertłami | (viii) Łom oraz młotek |
| (iii) Mały płaski śrubokręt | (ix) Odporny na zmienne warunki pogodowe uszczelniacz (np. silikon) |
| (iv) Przecinak | (x) Uszczelka |
| (v) Śrubokręt krzyżakowy | (xi) Blokada bezpieczeństwa |
| (vi) Linijka lub metr | (xii) Pasek zaciskowy |

D Wskazówki do instalacji

(i) Montaż poziomy (horyzontalny)

Krok 1

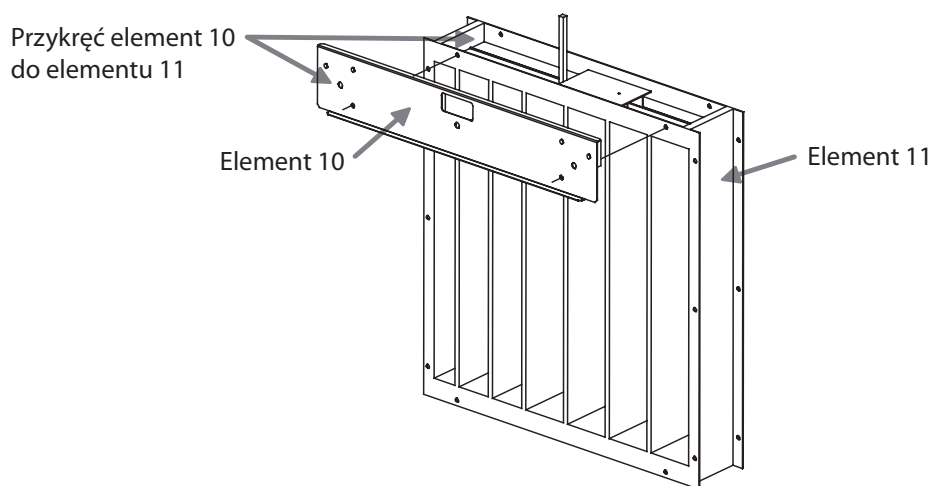
- Odłącz urządzenie od zasilania oraz zamontuj blokadę bezpieczeństwa przed rozpoczęciem instalacji, zlecenie lub serwis urządzenia schładzającego. Przygotuj wszystkie wspomniane powyżej narzędzia.

Krok 2

- Rozpakuj drewnianą skrzynkę, w której znajduje się zestaw ochładzacza używając łomu oraz młotka. Następnie wyciągnij foliowe woreczki zawierające części oraz łączniki używając przecinaka. Rozpocznij sprawdzanie przedinstalacyjne tak jak wspomniano powyżej.

Krok 3

- Zamontuj wspornik, zwilżacz powietrza powracającego (element 10) do zwilżacza powietrza powracającego (element 11) używając śrub M5x16 (element 13). Wszystko dołączono do zestawu.



Krok 4

- Zamontuj siłowniko Belimo, LF24-SR (element 1) oznaczony jako „RA” do zwilżacza powietrza powracającego (element 11). Zamocuj oraz wsuń otwór siłownika do szybu zwilżacza.



PRZESTROGA 1

Domyślnie zwilżacza powietrza powracającego (element 11) jest „całkowicie otwarty”. Przed montażem siłownika upewnij się, czy zwilżacz jest „całkowicie otwarty”. Nie zastosowanie się może wywołać błędy podczas zwykłego działania urządzenia.

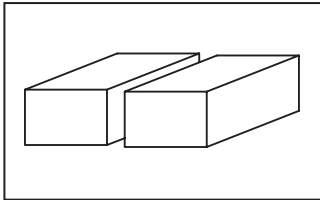


PRZESTROGA 2

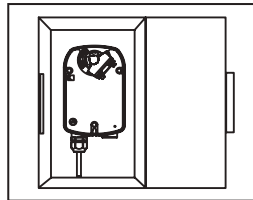
Powierzchnia siłownika umieszczona do góry/na zewnątrz powinna być oznaczona symbolem „L” w celu zapewnienia, że obrót modulatora następuje w kierunku zgodnym z ruchem wskazówek zegara. Nie zastosowanie się może wywołać błędy podczas działania urządzenia z funkcją ochładzacza.

Uwaga

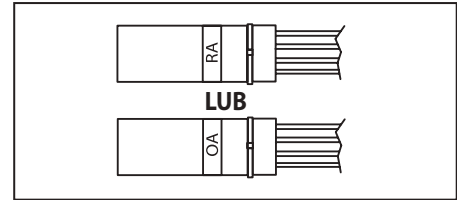
W zestawie ochładzacza znajdują się 2 siłowniki Belimo LF24-SR (element 1), które znajdują się w kartonowych pudełkach. Otwórz pudełka i sprawdź opisy na przewodzie. Siłownik wykorzystany w kroku 4 posiada opis „RA”.



2 sztuki elementu 1 w kartonowych pudełkach.

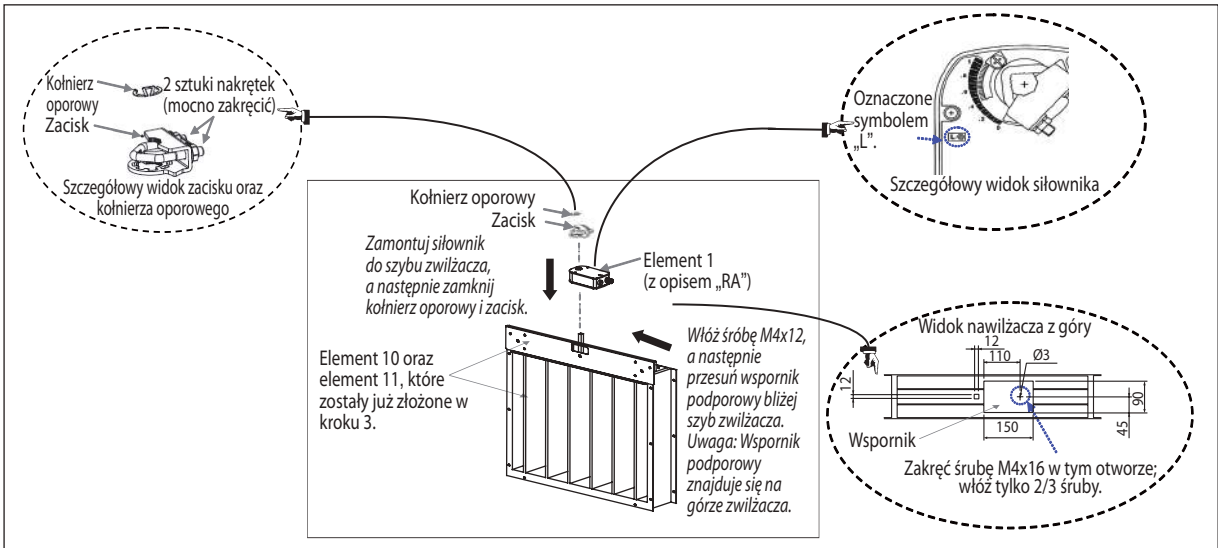


Otwórz pudełko.



Odczytaj opis znajdujący się na przewodzie. Jeden z nich opisany jest jako „RA”, a drugi „OA”.

- Następnie przykręć śrubę M4x12 (element 14) do wspornika zwilżacza. Nie wkręcaj śruby do końca. Pozostaw 2/3 śruby wykręconej. Zamontuj siłownik do wspornika przybliżając go do szyby zwilżacza. Zadaniem śrub M4x12 jest uniemożliwienie siłownikowi wyslizgnięcia się podczas modulacji.
- Następnie umieść zacisk w szybie oraz zablokuj siłownik za pomocą kołnierza oporowego. Za pomocą klucza francuskiego zakręć śruby opaski. Biorąc pod uwagę, że zacisk oraz kołnierz oporowy dostarczane są z siłownikiem jako części standardowe, mogą one znajdować się w opakowaniu siłownika.



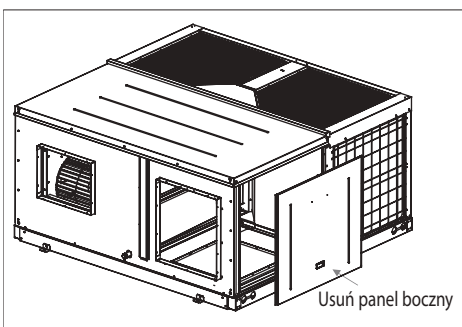
Krok 5

- Usuń panel. Następnie usuń 4 sztuki metalowych zacisków znajdujących się na przednim panelu. Zamontuj nawilżacza powietrza wracającego (element 11) + klamrę wspornikową nawilżacza powietrza wracającego (element 10) + Siłownik Belimo LF24-SR (element 1), które zostały już zamontowane w krokach 3 oraz 4 do przedniego panela urządzenia, za pomocą tych samych otworów. Użyj śruby M5x16 (element 13), aby zamontować urządzenia.



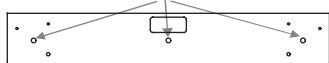
PRZESTROGA

Wysuń czujnik powietrza powracającego znajdujący się wewnątrz urządzenia (u góry wlotu powietrza wracającego) na zewnątrz urządzenia. Należy zrobić to, przez przeprowadzenie czujnika przez małe otwory znajdujące się na wsporniku nawilżacza powietrza wracającego (element 10). Czujnik wówczas będzie odpowiednio ułożony wewnątrz kanału powietrza powracającego. Do mocowania należy użyć zacisków (we własnym zakresie). Nie zastosowanie się do tych wskazówek może wpłynąć na działanie urządzenia i spowodować dyskomfort dla użytkowników.

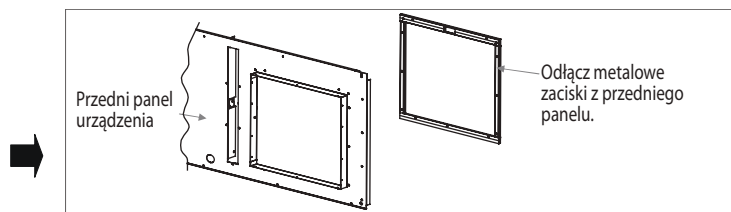


Usuń panel boczny

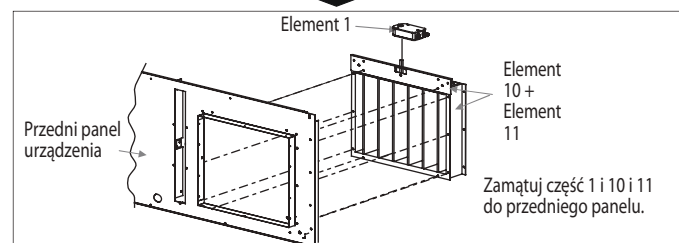
Użyj jednego z trzech otworów w elemencie 10 poniżej do przeprowadzenia czujnika powietrza powracającego na zewnątrz urządzenia.



Widok elementu 10 z przodu



Odlącz metalowe zaciski z przedniego panelu.



Zamontuj część 1 i 10 i 11 do przedniego panelu.

Krok 6

- Zamontuj siłownik Belimo, LF24-SR (element 1) oznaczony jako „OA” do panelu zwłżacza powietrza powracającego (element 2). Zamocuj oraz wsuń otwór siłownika do szybu zwłżacza.



PRZESTROGA 1

Domyślnie zwłżacza powietrza powracającego (element 2) powinien być ustawiony na całkowicie zamknięty. Przed montażem siłownika upewnij się, czy zwłżacz jest „całkowicie zamknięty”. Nie zastosowanie się może wywołać błędy podczas zwykłego działania urządzenia.

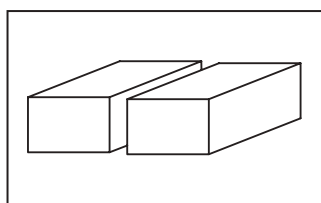


PRZESTROGA 2

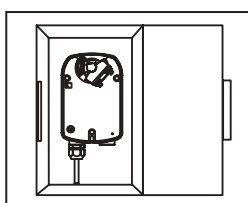
Powierzchnia siłownika umieszczona do góry/na zewnątrz powinna być oznaczona symbolem „R” w celu upewnienia się, że obrót modulacji siłownika następuje w kierunku przeciwnym do kierunku ruchu wskazówek zegara. Nie zastosowanie się może wywołać błędy podczas działania urządzenia z funkcją ochładzacza.

Uwaga

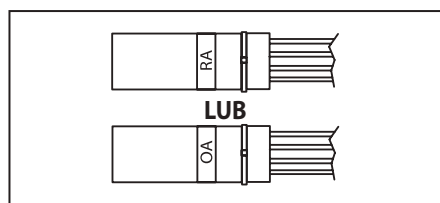
W zestawie ochładzacza znajdują się 2 siłowniki Belimo LF24-SR (element 1), które znajdują się w kartonowych pudełkach. Otwórz pudełko i sprawdź opisy na przewodzie. Siłownik wykorzystany w kroku 6 posiada opis „OA”.



2 sztuki elementu 1 w kartonowych pudełkach.

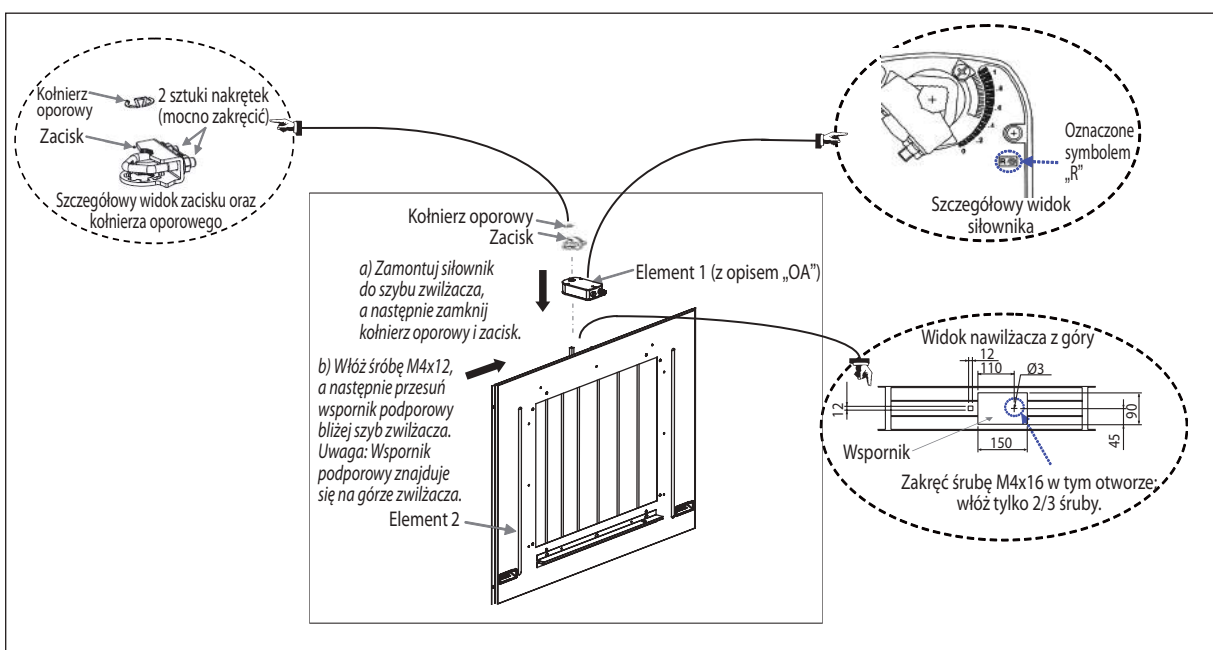


Otwórz pudełko.



Odczytaj opis znajdujący się na przewodzie. Jeden z nich opisany jest jako „RA”, a drugi „OA”.

- Następnie przykręć jedną śrubę M4x12 (element 14) do wspornika zwłżacza. Nie wkręcaj śruby do końca. Pozostaw 2/3 śruby wykręconej. Zamontuj siłownik do wspornika przybliżając go do szybu zwłżacza. Zadaniem śrub M4x12 jest uniemożliwienie siłownikowi wyslizgnięcia się podczas modulacji.
- Następnie umieść zacisk w szybie oraz zablokuj siłownik za pomocą kołnierza oporowego. Za pomocą klucza francuskiego zakręć śruby opaski. Biorąc pod uwagę, że zacisk oraz kołnierz oporowy dostarczane są z siłownikiem jako części standardowe, mogą one znajdować się w opakowaniu siłownika.



KROK 7

- Podłącz siłownik LF24-SR (element 1) opisany jako „RA”; który teraz znajduje się na nawilżaczu na przednim panelu terminala opisanego jako „RA”. Opis znajduje się wewnątrz puszkki.
- Z siłownika wychodzą cztery przewody o różnych kolorach (czarny, czerwony, zielony oraz biały). Podłącz przewody tak jak pokazano to poniżej:

- Czarny przewód - podłącz do pierwszego styku terminalu oznaczonego „GND”.
- Czerwony przewód - podłącz do drugiego styku terminala oznaczonego „+24V”.
- Zielony przewód - podłącz do trzeciego styku terminala oznaczonego „DCV”.
- Czerwony przewód - podłącz do czwartego styku terminala oznaczonego „FB”.
- (Zawsze możesz odnieść się do diagramu okablowania znajdującego się na przedniej pokrywie puszkki.)

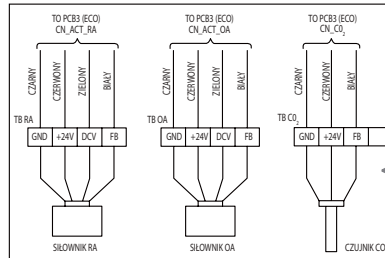


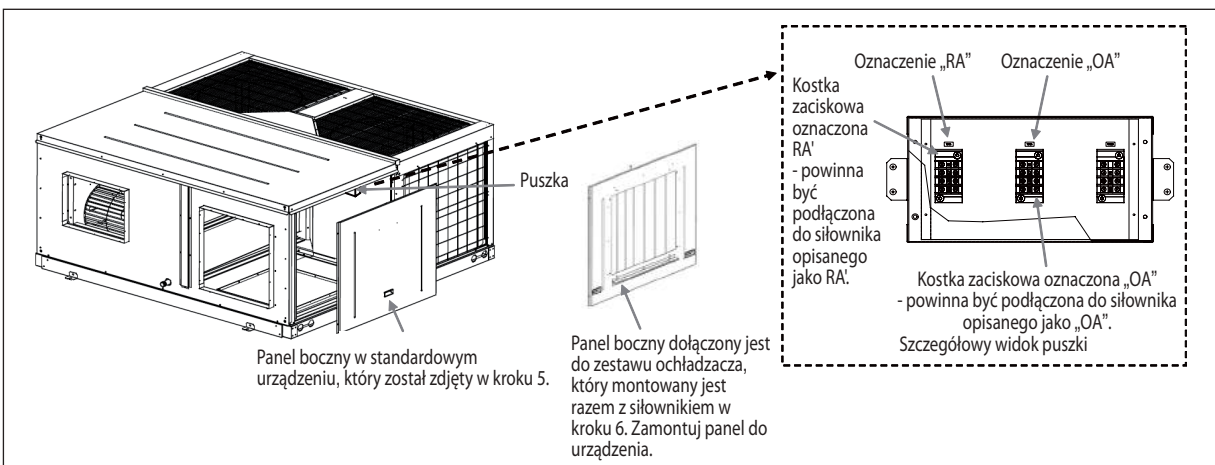
Diagram okablowania znajdujący się na przedniej pokrywie puszkki



PRZESTROGA

Nieprawidłowe podłączenie okablowania może spowodować wadliwe działanie siłownika lub terminalu podgrzewacza lub obydwóch. Przytnij kable pod puszką za pomocą zacisków.

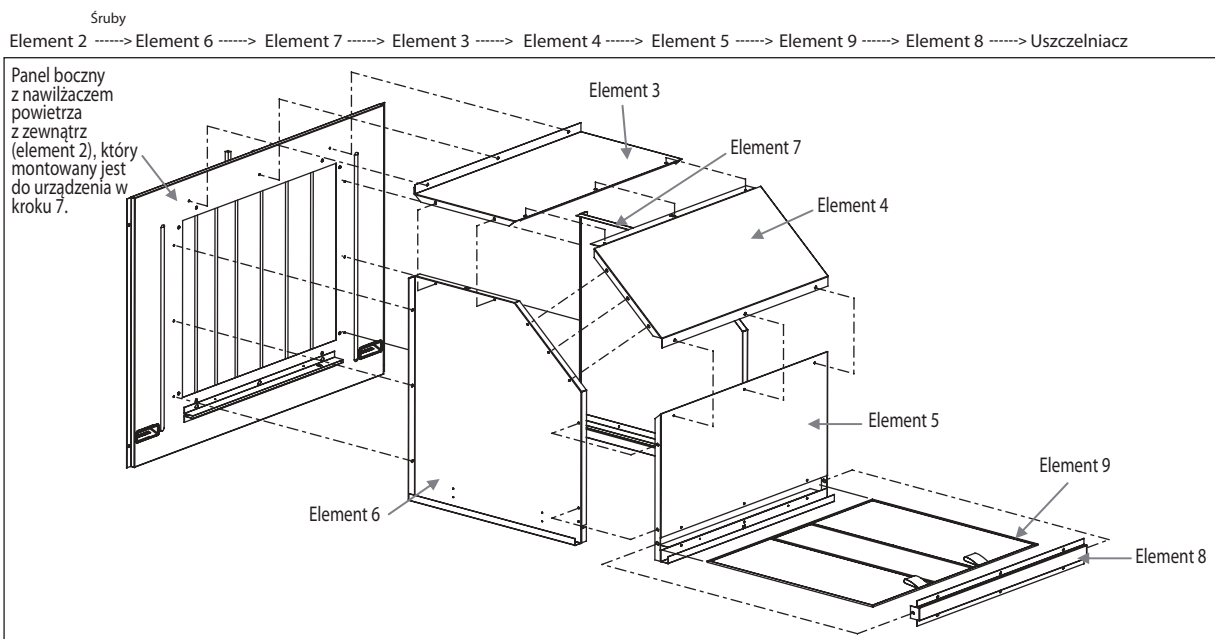
- Podłącz siłownik LF24-SR (element 1) opisany jako „OA”, który teraz znajduje się na nawilżaczu na przednim panelu terminala opisanego jako „OA”, który znajduje się wewnątrz puszkki. Skorzystaj z tej samej metody okablowania siłownika „RA”; oraz terminala „RA”. Następnie zamontuj panel boczny do urządzenia. Być może będziesz musiał posegregować przewody siłownika za pomocą zacisków (we własnym zakresie) zanim założysz boczny panel urządzenia.



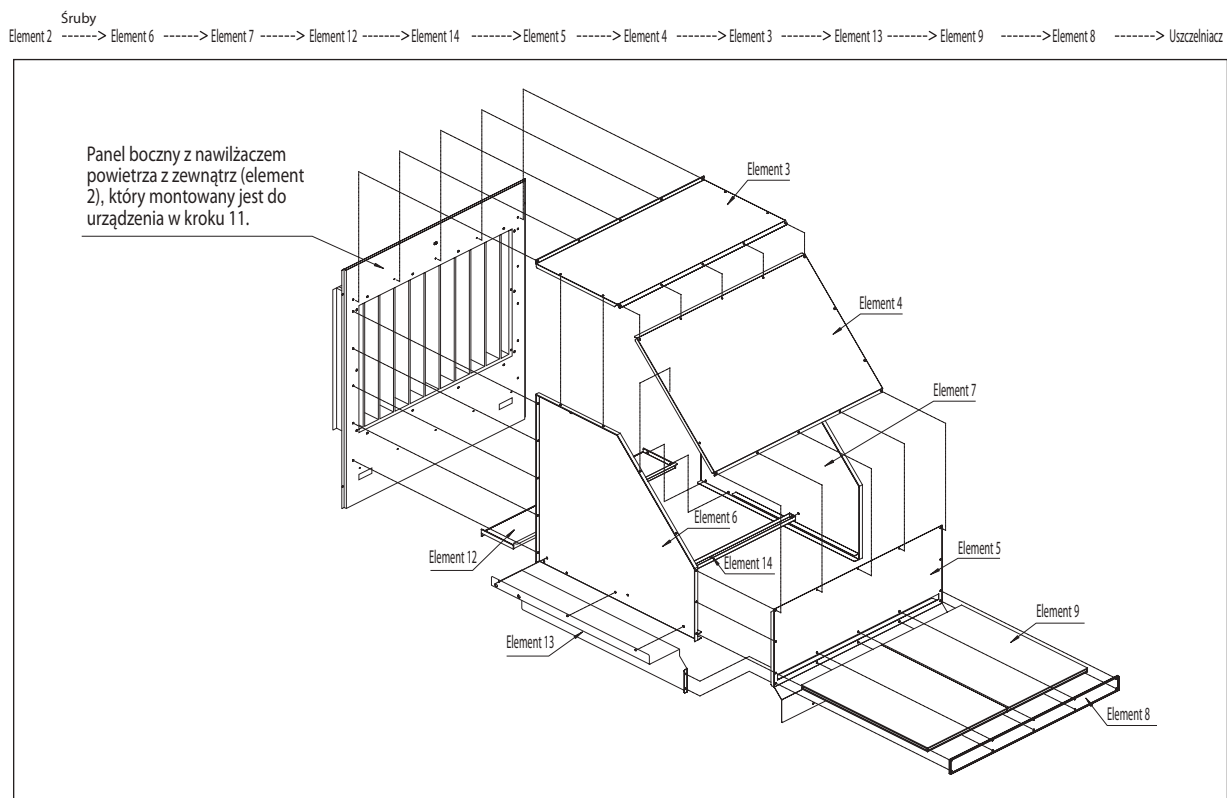
KROK 8

- Aby zbudować kaptur przeciwdeszczowy zamontuj pozostałe części (metalowe) na panelu bocznym. Przed tym jednak, w celu uszczelnienia należy umieścić uszczelkę na panelu bocznym.
- Następnie wykonaj kolejno kroki z poniższej instrukcji aby zbudować kaptur przeciwdeszczowy:

Model : UATYQ 250, 350, 450, 550, 600, 700



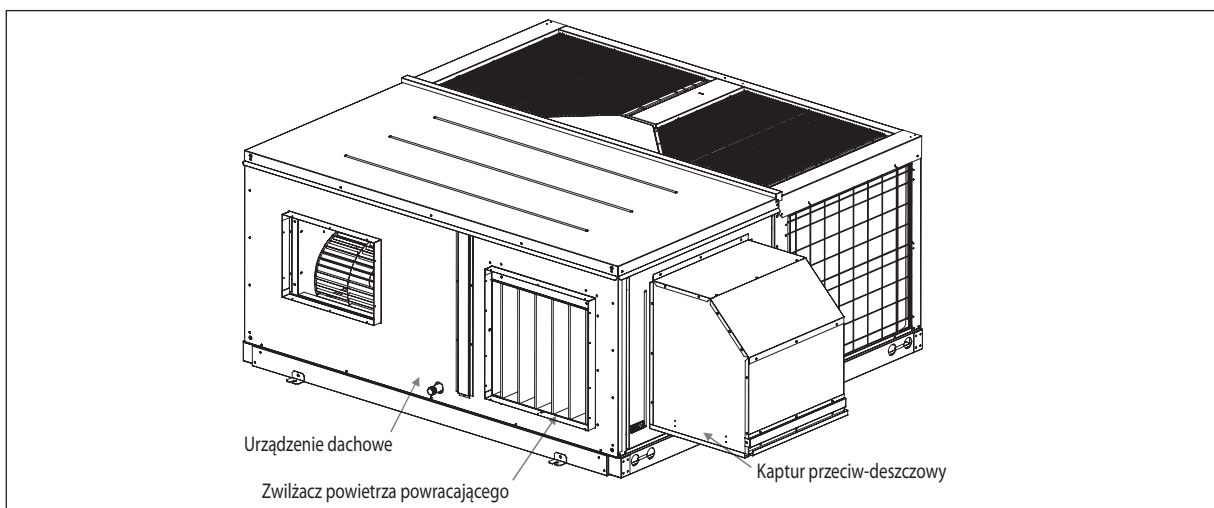
Model : UATYQ 900



- Zalecamy uszczelnić wszystkie złącza oraz otwory za pomocą odpornego na warunki pogodowe uszczelnacza (np. silikonem, lub podobnym produktem) aby zapewnić nieprzemakalność wykończeń kaptura przeciwdeszczowego.

KROK 9

- Ostatecznie, urządzenie wraz z ochładzaczem powinno wyglądać jak na diagramie poniżej:



Uwaga

Urządzenie pokazane na diagramach w krokach od 1 do 9 to UATYQ350. W przypadku innych modeli należy postępować w taki sam sposób.

Urządzenie pokazane na diagramach w krokach od 1 do 10 to UATYQ900. W przypadku innych modeli należy postępować w taki sam sposób.

(ii) Montaż pionowy (wertykalny)

KROK 1

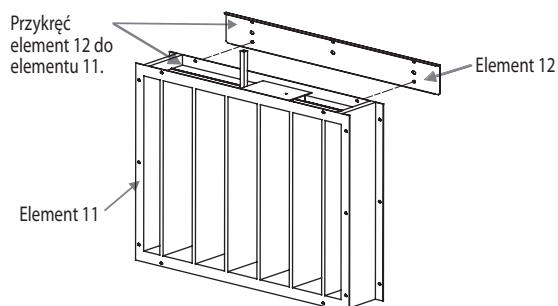
- Odłącz urządzenie od zasilania oraz zamontuj blokadę bezpieczeństwa przed rozpoczęciem instalacji, zlecenie lub serwis urządzenia schładzającego. Przygotuj wszystkie wspomniane powyżej narzędzia.

KROK 2

- Rozpakuj drewnianą skrzynkę, w której znajduje się zestaw ochładzacza używając łomu oraz młotka. Następnie wyciągnij foliowe woreczki zawierające części oraz łączniki używając przecinaka. Rozpocznij sprawdzanie przedinstalacyjne tak jak wspomniano powyżej.

KROK 3

- Zamontuj wspornik, wyrzutnik pionowy (element 12) do zwilżacza powietrza powracającego (element 11) używając śrub M5x16 (element 13). Wszystko dołączono do zestawu.



Uwaga

Wspornik podtrzymujący, wejście od dołu (element 12) nie jest dostępny z ECONO 700 & 900. W celu zainstalowania zestawu ekonomizera do tego modelu należy zignorować krok 3 i przejść do kroku 4.

KROK 4

- Zamontuj siłownik Belimo, LF24-SR (element 1) do zwilżacza powietrza powracającego (element 11). Zamocuj oraz wsuń otwór siłownika do szybu zwilżacza.



PRZESTROGA 1

Domyślnie zwilżacza powietrza powracającego (element 11) jest całkowicie otwarty. Przed montażem siłownika upewnij się, czy zwilżacz jest „w pełni otwarty”. Nie zastosowanie się może wywołać błędy podczas zwykłego działania urządzenia.

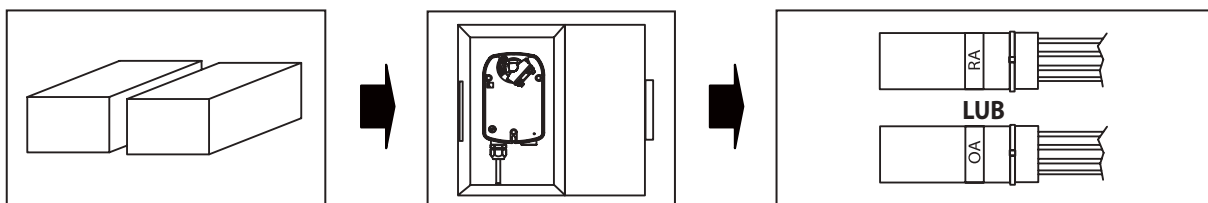


PRZESTROGA 2

Powierzchnia siłownika umieszczona do góry/na zewnątrz powinna być oznaczona symbolem „L” w celu zapewnienia, że obrót modułacji siłownika następuje w kierunku zgodnym z ruchem wskazówek zegara. Nie zastosowanie się może wywołać błędy podczas działania urządzenia z funkcją ochładzacza.

Uwaga

W zestawie ochładzacza znajdują się 2 siłowniki Belimo LF24-SR (element 1), które znajdują się w kartonowych pudełkach. Otwórz pudełko i sprawdź opisy na przewodzie. Siłownik wykorzystany w kroku 4 posiada opis „RA”.

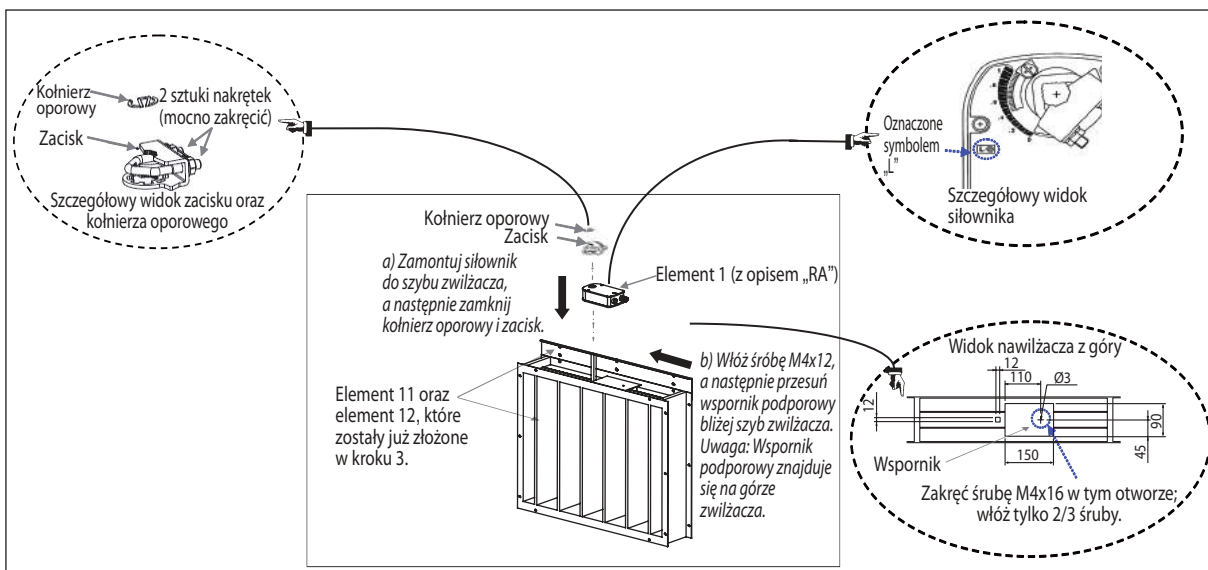


2 sztuki elementu 1 w kartonowych pudełkach.

Otwórz pudełko.

Odczytaj opis znajdujący się na przewodzie. Jeden z nich opisany jest jako „RA”, a drugi „OA”.

- Następnie przykręć jedną śrubę M4x12 (element 14) do wspornika zwilżacza. Nie wkręcaj śruby do końca. Pozostaw 2/3 śruby wykręconej. Zamontuj siłownik do wspornika przybliżając go do szyby zwilżacza. Zadaniem śrub M4x12 jest uniemożliwienie siłownikowi wyslizgnięcia się podczas modułacji.
- Następnie umieść zacisk w szybie oraz zablokuj siłownik za pomocą kołnierza oporowego. Za pomocą klucza francuskiego zakręć śruby opaski. Biorąc pod uwagę, że zacisk oraz kołnierz oporowy dostarczane są z siłownikiem jako części standardowe, mogą one znajdować się w opakowaniu siłownika.



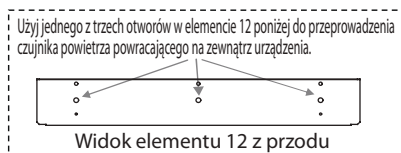
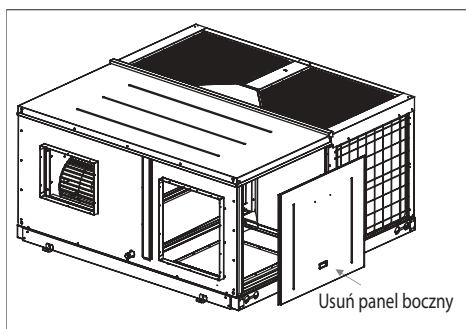
KROK 5

- Usuń panel. Przeprowadź konserwację z urządzenia standardowego do urządzenia o wylocie poziomym postępując według kroków w części (G) w rozdziale „INSTALACJI URZĄDZENIA”, znajdującego się w niniejszym podręczniku.
- Zamontuj nawilżacz powietrza wracającego (element 11) + klamrę wspornikową, wylot poziomy (element 12) + Siłownik Belimo LF24-SR (element 1), które zostały już zamontowane w krokach 3 oraz 4 do wewnętrznej bazy panela urządzenia, za pomocą M5x16 (element 13).

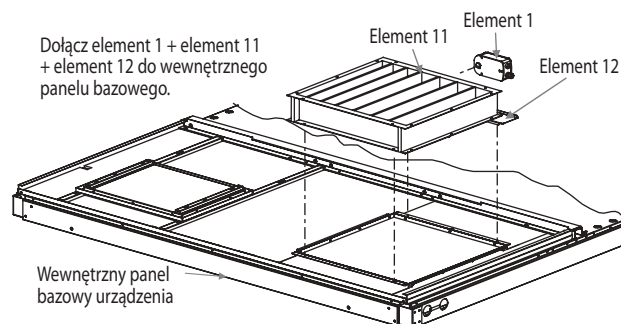


Uwaga

Wsuń czujnik powietrza powracającego znajdujący się wewnątrz urządzenia (u góry wlotu powietrza wracającego) na zewnątrz urządzenia. Należy zrobić to, przez przeprowadzenie czujnika przez małe otwory znajdujące się na wsporniku wyrzutnika poziomego (element 12). Czujnik wówczas będzie odpowiednio ułożony wewnątrz kanału powietrza powracającego. Do mocowania należy użyć zacisków (we własnym zakresie). Nie zastosowanie się do tych wskazówek może wpłynąć na działanie urządzenia i spowodować dyskomfort dla użytkowników. W modelu ECON0700 oraz UATYQ700, czujnik rutingu może być połączony przez małą dziurę w metalowym kołnierzu dolnego wpustu powietrza.



Przeprowadź konwersję urządzenia.
Następnie zamontuj element 1 + element 11 + element 12 do wewnętrznego panelu bazowego jak na obrazku niżej:



KROK 6

- Zamontuj jeden siłownik Belimo, LF24-SR (element 1) do zwilżacza powietrza powracającego (element 2). Zamocuj oraz wsuń otwór siłownika do szybu zwilżacza.



PRZESTROGA 1

Domyślnie zwilżacza powietrza powracającego (element 2) powinien być ustawiony na całkowicie zamknięty. Przed montażem siłownika upewnij się, czy zwilżacz jest w „całkowicie zamknięty”. Nie zastosowanie się może wywołać błędy podczas zwykłego działania urządzenia.

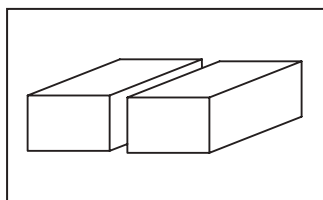


PRZESTROGA 2

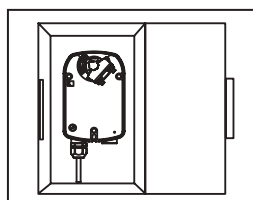
Powierzchnia siłownika umieszczona do góry/na zewnątrz powinna być oznaczona symbolem „R” w celu upewnienia się, że obrót modułacji siłownika następuje w kierunku przeciwnym do kierunku ruchu wskazówek zegara. Nie zastosowanie się może wywołać błędy podczas działania urządzenia z funkcją ochładzacza.

Uwaga

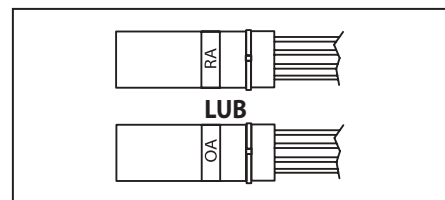
W zestawie ochładzacza znajdują się 2 siłowniki Belimo LF24-SR (element 1), które znajdują się w kartonowych pudełkach. Otwórz pudełko i sprawdź opisy na przewodzie. Siłownik wykorzystany w kroku 6 posiada opis „OA”.



2 sztuki elementu 1 w kartonowych pudełkach.

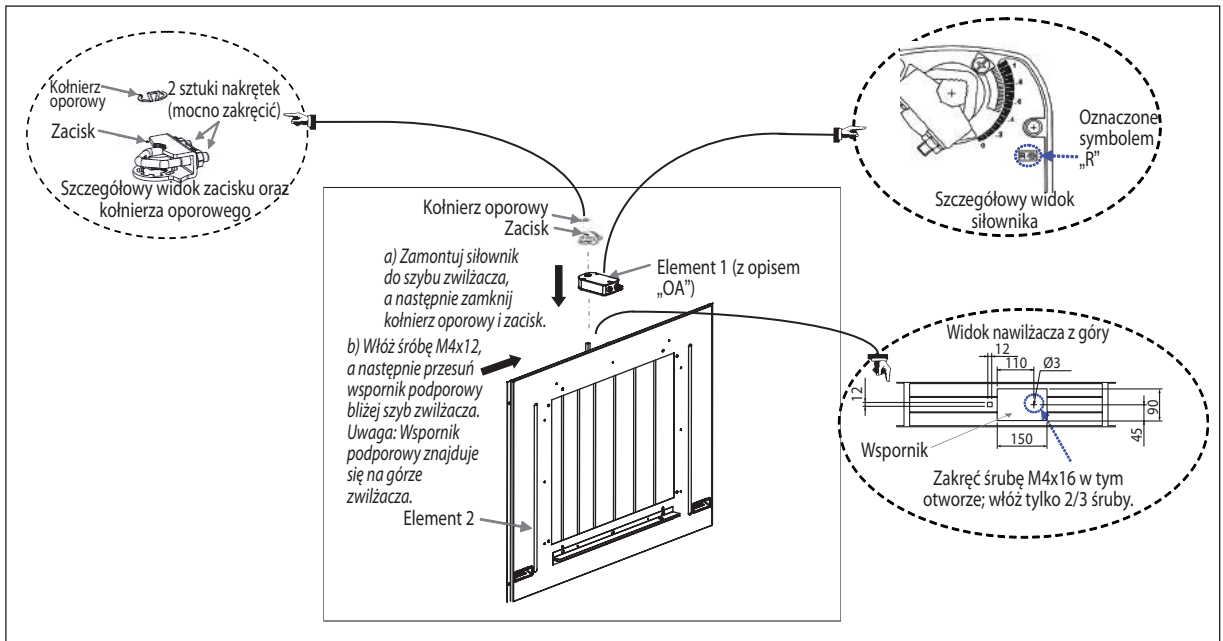


Otwórz pudełko.



Odczytaj opis znajdujący się na przewodzie. Jeden z nich opisany jest jako „RA”, a drugi „OA”.

- Następnie przykręć jedną śrubę M4x12 (element 14) do wspornika zwilżacza. Nie wkręcaj śruby do końca. Pozostaw 2/3 śruby wykręconej. Zamontuj siłownik do wspornika przybliżając go do szybu zwilżacza. Zadaniem śrub M4x12 jest uniemożliwienie siłownikowi wyslizgnięcia się podczas modulacji.
- Następnie umieść załącznik w szybie oraz zablokuj siłownik za pomocą kołnierza oporowego. Za pomocą klucza francuskiego zakręć śruby opaski. Biorąc pod uwagę, że zacisk oraz kołnierz oporowy dostarczane są z siłownikiem jako części standardowe, mogą one znajdować się w opakowaniu siłownika.



KROK 7

- Podłącz silownik LF24-SR (element 1) opisany jako „RA”, który teraz znajduje się na nawilżaczu na przednim panelu bazowym do kostki zaciskowej, która wewnątrz puszkii opisana jest jako „RA”.
- Z silownika wychodzą cztery przewody o różnych kolorach (czarny, czerwony, zielony oraz biały). Podłącz przewody tak jak pokazano to poniżej:

- Czarny przewód - podłącz do pierwszego styku terminalu oznaczonego „GND”.
- Czerwony przewód - podłącz do drugiego styku terminala oznaczonego +24V”.
- Zielony przewód - podłącz do trzeciego styku terminala oznaczonego „DCV”.
- Biały przewód - podłącz do czwartego styku terminala oznaczonego „FB”.

(Zawsze możesz odnieść się do diagramu okablowania znajdującego się na przedniej pokrywie puszkii.)

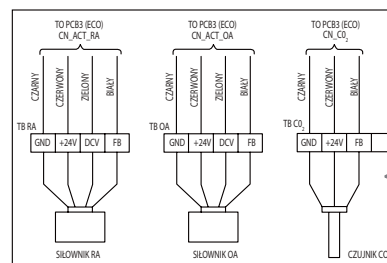


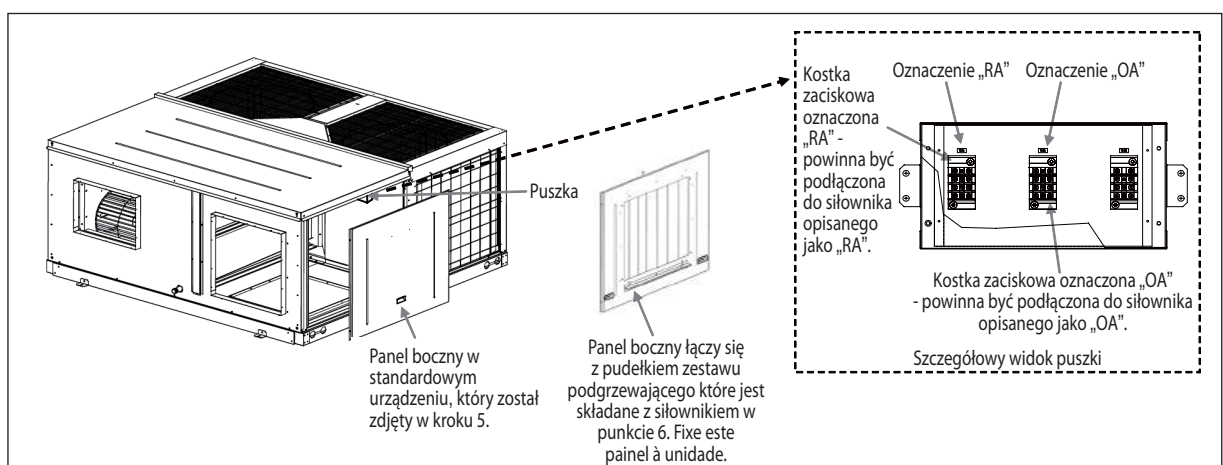
Diagram okablowania znajdujący się na przedniej pokrywie puszkii



PRZESTROGA

Nieprawidłowe podłączenie okablowania może spowodować wadliwe działanie silownika lub terminalu podgrzewacza lub obydwóch. Przypnij kable pod puszką za pomocą zacisków.

- Podłącz silownik LF24-SR (element 1) opisany jako „OA”, który teraz znajduje się na nawilżaczu na przednim panelu terminala opisanego jako „OA”, który znajduje się wewnątrz puszkii. Skorzystaj z tej samej metody okablowania silownika „RA”; oraz terminala „RA”. Następnie zamontuj panel boczny do urządzenia. Być może będziesz musiał posegregować przewody silownika za pomocą zacisków (we własnym zakresie) zanim założysz boczny panel urządzenia.

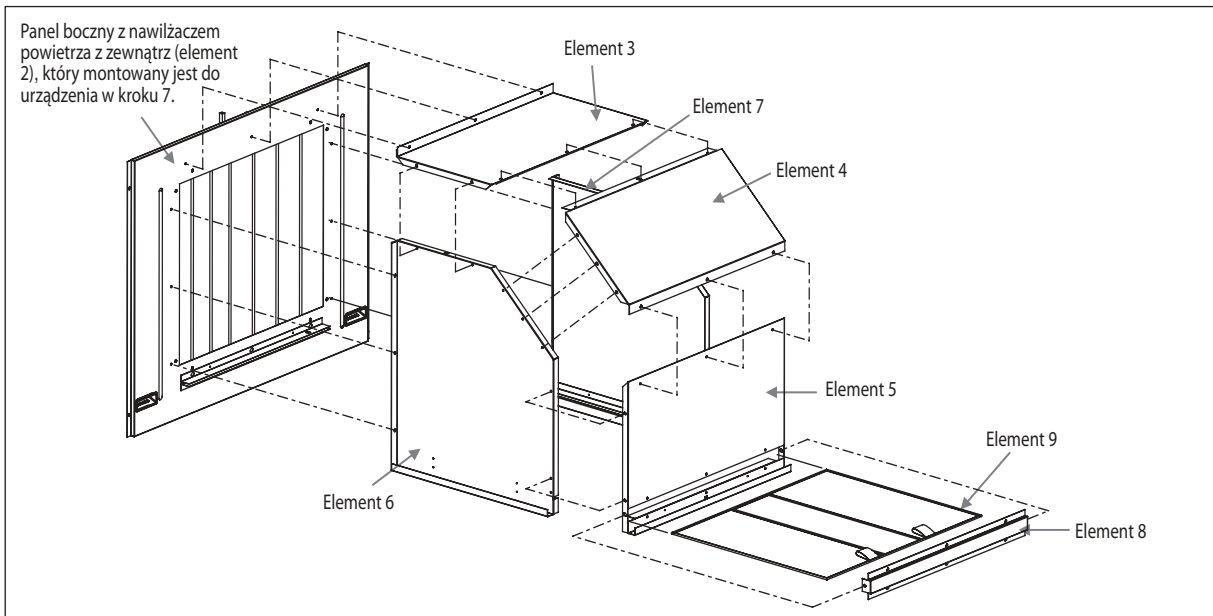


KROK 8

- Aby zbudować kaptur przeciwdeszczowy zamontuj pozostałe części (metalowe) na panelu bocznym. Przed tym jednak, w celu uszczelnienia należy umieścić uszczelkę na panelu bocznym.
- Następnie wykonaj kolejno kroki z poniższej instrukcji aby zbudować kaptur przeciwdeszczowy.

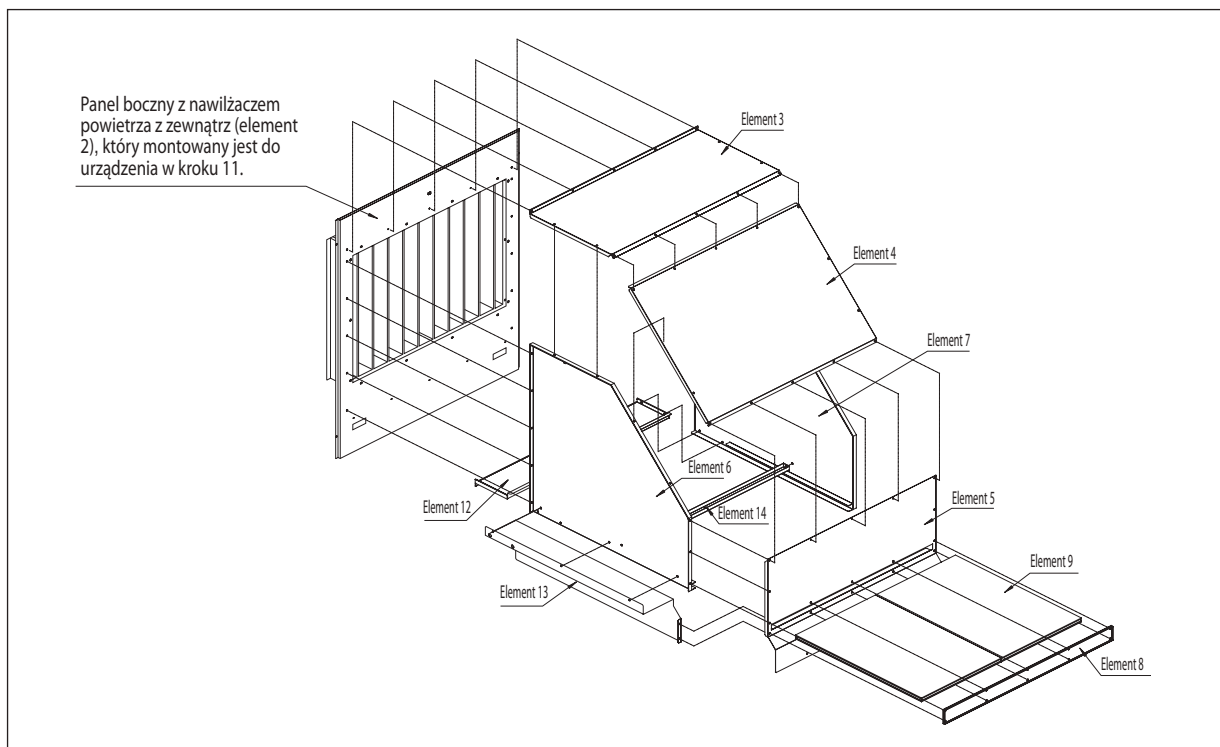
Model : UATYQ 250, 350, 450, 550, 600, 700

Śruby
Element 2 -----> Element 6 -----> Element 7 -----> Element 3 -----> Element 4 -----> Element 5 -----> Element 9 -----> Element 8 -----> Uszczelniacz



Model : UATYQ 900

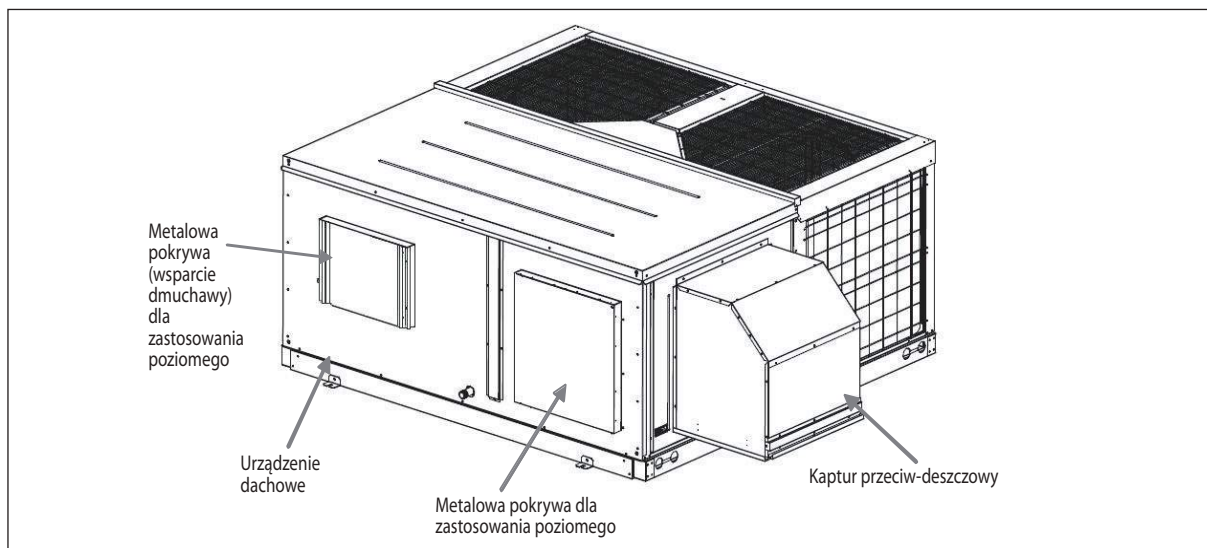
Śruby
Element 2 -----> Element 6 -----> Element 7 -----> Element 12 -----> Element 14 -----> Element 5 -----> Element 4 -----> Element 3 -----> Element 13 -----> Element 9 -----> Element 8 -----> Uszczelniacz



- Zalecamy uszczelnić wszystkie złącza oraz otwory za pomocą odpornego na warunki pogodowe uszczelniacza (np. silikonem, lub podobnym produktem) aby zapewnić nieprzemakalność wykończeń kaptura przeciwdeszczowego.

KROK 9 & KROK 10 (zastosowanie tylko dla UATYQ900).

- Ostatecznie, urządzenie wraz z ochładzaczem powinno wyglądać jak na diagramie poniżej:
- Do zastosowania poziomego wymagany jest krawężnik na dachu. Należy odnieść się do zaleceń w części (C) w rozdziale „INSTALACJI URZĄDZENIA”, który znajduje się niniejszym podręczniku.



Uwaga

Urządzenie pokazane na diagramach w krokach od 1 do 9 to UATYQ350. W przypadku innych modeli należy postępować w taki sam sposób.
Urządzenie pokazane na diagramach w krokach od 1 do 10 to UATYQ900. W przypadku innych modeli należy postępować w taki sam sposób.

E Zlecenie

(i) Opór przepływu powietrza

Opór przepływu powietrza odnosi się do spadku ciśnienia spowodowanego przez ochładzacz. Przed instalacją zaleca się sprawdzenie tabeli spadku ciśnienia, która znajduje się w Podręczniku Danych Inżynierskich w celu poczynienia poprawnych wyborów podczas projektowania montażu.

(ii) Dostosowywanie wydajności

Wydajność urządzenia pogorszy się kiedy urządzenie operować będzie w Trybie świeżego powietrza, co zależy od ustawień użytkownika. Przed instalacją zaleca się sprawdzenie tabeli czynnika do poprawy, która znajduje się w Podręczniku Danych Inżynierskich w celu poczynienia poprawnych wyborów podczas projektowania montażu.

(iii) Wybór trybu

Ogólnie, zestaw dopuszcza dwa tryby: Tryb Ochładzacza oraz Tryb Świeżego Powietrza.

- Tryb ochładzacza: "Darmowo" schładza powietrze jeśli zewnętrzna temperatura na to pozwala. Schładzanie może być samodzielne lub łączone ze schładzaniem mechanicznym.
- Tryb świeżego powietrza: Dostarcza minimalną ilość świeżego powietrza potrzebną do wentylacji lub wymaganą przez lokalne prawo.

Uwaga

Odniesz się do ustawień sprzętu znajdującego się w części (D) (v) w rozdziale „INSTRUKCJA OBSŁUGI STEROWANIA”, który znajduje się w tym podręczniku, aby ustawić tryb.

(iv) Wybór minimalnej ilości świeżego powietrza

Zestaw pozwala na wybór minimalnej ilości świeżego powietrza od 0~25% dla trybów ochładzania oraz ocieplania. Tryb ochładzacza oraz tryb wiatraka mogą dostarczyć maksymalnie 85% świeżego powietrza.

Uwaga

Odniesz się do ustawień sprzętu znajdującego się w części (D) (v) w rozdziale „INSTRUKCJA OBSŁUGI STEROWANIA”, który znajduje się w tym podręczniku, aby manualnie wybrać minimalną ilość dostarczanego świeżego powietrza.

(v) Funkcja ochrony przed przechłodzeniem

Gdy na zewnątrz panuje chłodna temperatura, z powodu otwartej przepustnicy nawilzacza powietrza zewnętrznego można odczuć dykomfort termalny. Sytuacji tej można zapobiec włączając funkcję ochrony przed przechłodzeniem.

Uwaga

Przeczytaj instrukcje ustawienia urządzenia z części (D) (v) w rozdziale „INSTRUKCJA OBSŁUGI STEROWNIKA” w niniejszej instrukcji aby aktywować ustawienia ochrony przed przechłodzeniem.

(vi) Zakres pracy

Odpowiedni zakres pracy dla urządzenia z ochładzaczem jest taka sama jak dla urządzenia bez ochładzacza. Odniesz się do rozdziału „ZAKRES PRACY”, który znajduje się w tym podręczniku.

Jednakże, aby zapewnić niezawodność urządzenia mogą pojawić się ograniczenia wlotu świeżego powietrza jeśli temperatura zewnętrzna jest niska lub wysoka. Odniesz się do Podręcznika Danych Inżynierskich w celu pozyskania bardziej szczegółowych informacji.



PRZESTROGA

Wydajność zostanie zmniejszona jeśli temperatura zewnętrzna jest zbyt niska lub zbyt wysoka, odnieś się do (E)(ii).

(vii) Opcjonalny filtr powietrza

Wewnątrz urządzenia znajduje się 2" otwór filtra. Zaleca się użycie dodatkowego filtra (we własnym zakresie) jako drugiej powłoki filtrującej, jako że nawilzacz powietrza zewnętrznego może wpuszczać kurz i pył.

F Serwisowanie i konserwacja

(i) Serwisowanie filtra

Opór przepływu powietrza może wzrosnąć jeśli filtr będzie brudny. Filtr należy czyścić przynajmniej raz na dwa tygodnie. Filtr powietrza znajdującego się w kapturze przeciwdeszczowym narażony na działanie środowiska zewnętrznego może zostać uszkodzony przez szkodniki lub zwierzęta. Uszkodzony filtr należy wymienić.

(ii) Serwisowanie komory wewnątrz pomieszczenia

Wlot nawilzacza powietrza zewnętrznego nadal może zbierać pył i brud jako, że filtr kaptura nie jest w stanie całkowicie oczyścić powietrze. Komora wewnątrz pomieszczenia, więc, musi również być czyszczona podczas serwisowania filtra.

(iii) Serwisowanie nawilzacza

Wytrzyj brudny nawilzacz, w szczególności nawilzacz powietrza zewnętrznego, który jest przez cały czas wystawiony na działanie środowiska.

Uwaga

Odniesz się do rozdziału „KONSERWACJA”, który znajduje się w tym podręczniku.

G Kontrola wymaganej wentylacji

- Jedną z technik ograniczającą zużycie energii podczas dostarczania odpowiedniej jakości powietrza to kontrola wymaganej wentylacji. Zamiast ustalania ustalonej wartości wymiany powietrza, czujnik dwutlenku węgla (czujnik CO₂) na podstawie emisji CO₂ przez osoby znajdujące się w budynku dynamicznie kontroluje poziom wymiany powietrza.
- Czujnik CO₂ jest komponentem dodatkowym. Przeczytaj poniższe informacje, aby dowiedzieć się o zaleceniach wyboru czujnika CO₂:

- Typ: Montowany w przewodzie
- Zasilanie: 24 VDC, 50Hz
- Zakres temperatury pracy: 0 ~ 52°C
- Zakres temperatury otoczenia: -15 ~ 52°C
- Zakres pomiaru: 0 ~ 5000 PPM (w zależności od zastosowania)
- Napięcie wyjściowe: 2 ~ 10 VDC
- Rozmiar przewodu: AWG18
- Maksymalnie dostępny prąd: 7A
- Uwzględnianie standardów: Należy postępować zgodnie z lokalnymi i krajowymi przepisami

- Terminal ochładzacza dostarczany jest z wbudowanym oprogramowaniem gotowym do pracy z czujnikiem CO₂. Aktywowany jest tylko w trybie ochładzacza. Za pomocą różnych ustawień 3 przełącznika typu Dip użytkownik może wybrać różne wartości progowe. Odnieś się do wskazówek na temat ustawienia sprzętu, znajdujących się w części (D) (v) rozdziału „INSTRUKCJI OBSŁUGI STEROWANIA”, niniejszego podręcznika, aby wybrać wartość progu poziomu PPM CO₂.

Na przykład: Aby korzystać z czujnika CO₂ z zakresem pomiaru od 0 ~ 5000 PPM, ustawionym na progu 1250PPM, użytkownik musi wykonać następujące kroki:-

- Krok 1: Włącz SW4 w jednym przełączniku typu DIP na głównej tablicy sterującej na pozycję ON (ustawienia fabryczne to OFF).
- Krok 2: Na panelu włącz parametr G6 (obsługa ochładzacza) na pilocie przełącz na „1” (ON) (ustawienia fabryczne to '0' (OFF))
- Krok 3: Upewnij się, że SW2 na 4 przełączniku Dip (Tablica kontrolna ochładzacza) jest w pozycji OFF (OFF jest ustawieniem fabrycznym).
- Krok 4: Włącz SW1 na 3 przełączniku typu DIP (Tablica kontrolna ochładzacza) na pozycję ON (OFF to ustawienia fabryczne).
{SW1 na 3 przełączniku typu DIP = 25 %; przeliczając 25% z 5000 PPM jest równe 1250 PPM}.

- W przypadku gdy czujnik CO₂ wystawiony jest na zewnątrz budynku, należy przykryć czujnik na przykład pudełkiem wodoodpornym (IPX4) lub w podobny sposób aby woda nie dostała się do czujnika CO₂ i również w celu uniknięcia ewentualnego kontaktu z czujnikiem. Połączenie z czujnikiem CO₂ uważane jest za połączenie BIEŻĄCE.
- Podłącz przewód czujnika CO₂ do puszek urządzenia znajdującego się w pomieszczeniu. Czujnik CO₂ posiada trzy przewody. Podłącz przewody tak jak pokazano to poniżej:

Czarny przewód - podłącz do pierwszego styku terminalu oznaczonego „GND”.
przewód napięciowy +24VDC - podłącz do drugiego styku terminala oznaczonego „+24V”.
Wyjściowy przewód sygnały - podłącz do trzeciego styku terminala oznaczonego „FB”.
(Zawsze możesz odnieść się do diagramu okablowania znajdującego się na przedniej pokrywie puszek.)

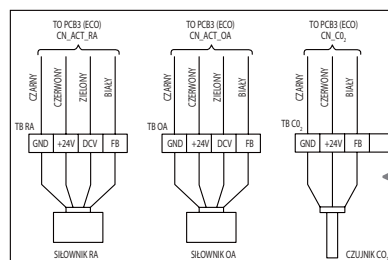
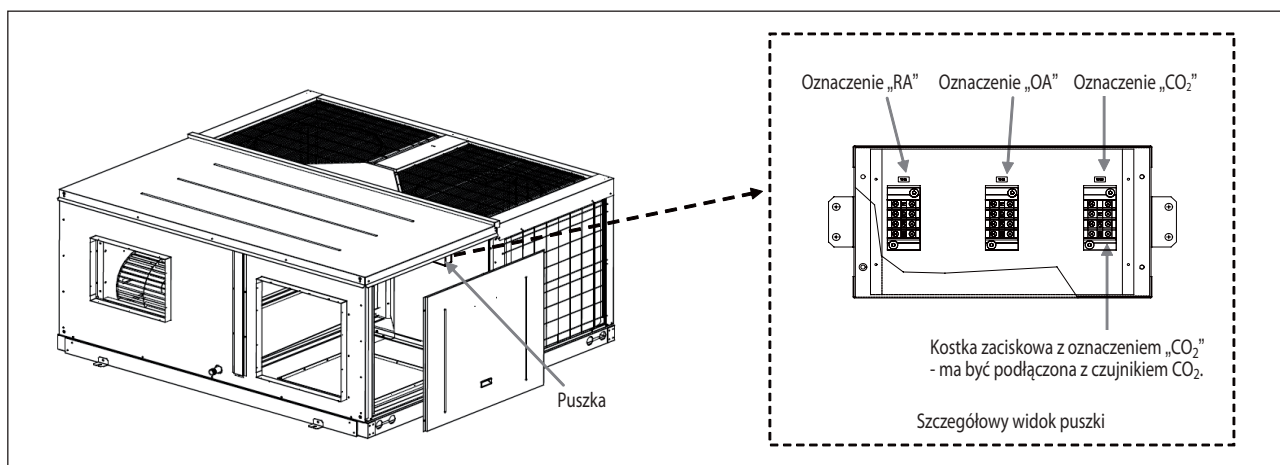


Diagram okablowania znajdujący się na przedniej pokrywie puszek



PRZESTROGA

Nieprawidłowe podłączenie okablowania może spowodować uszkodzenie czujnika CO₂ lub tablicy kontrolnej ochładzacza lub obojgu. Przypnij kable pod puszką za pomocą zacisków.



(i) Ograniczenia zestawu ochładzacza z kontrolą termostatu

Kontrola termostatu używana jest jako trzeciorzędny kontroler dlatego też zastosowanie danej temperatury nie może być przewidziane. Do tego przypadku przed przeprowadzeniem ustawień sprzętu kontroli termostatu zaleca się skorzystanie z pilota, aby ustawić żądaną temperaturę.

Uwaga

Odnieś się do ustawień sprzętu znajdującego się w części (D) (v) w rozdziale „INSTRUKCJA OBSŁUGI STEROWANIA”, który znajduje się w tym podręczniku, aby ustawić tryb.

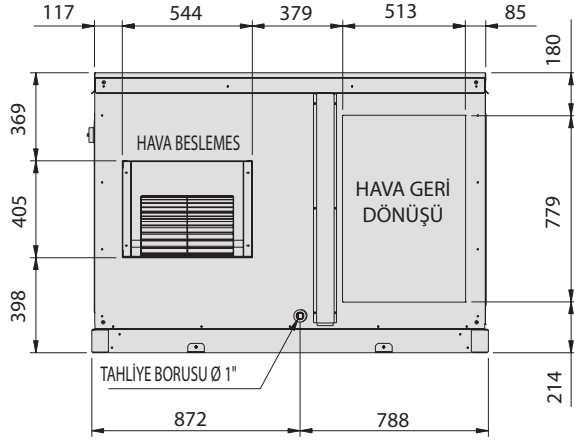
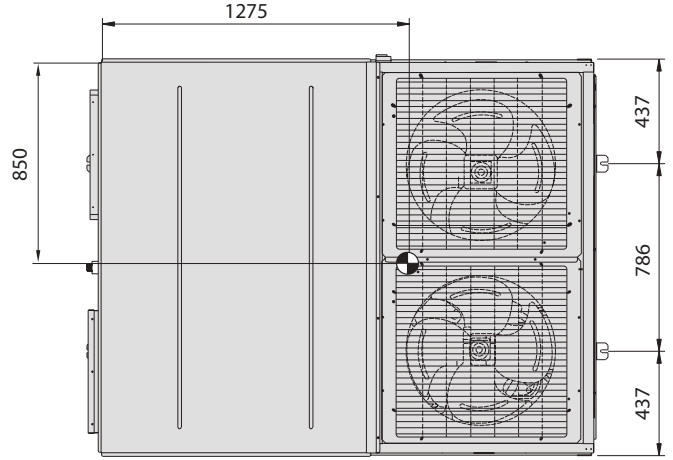
(ii) Niezbędne dla pozbycia się ciśnienia

Obecność świeżego powietrza może spowodować wzrost ciśnienia, co może zmniejszyć komfort. Jeśli to konieczne zaleca się zainstalowanie urządzenia obniżającego ciśnienie w przewodzie powrotnym.

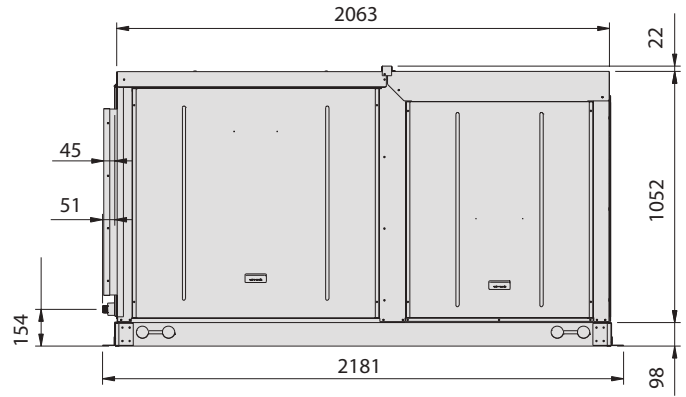
DIŐ HATLAR VE EBATLAR

Modeller: UATYQ250

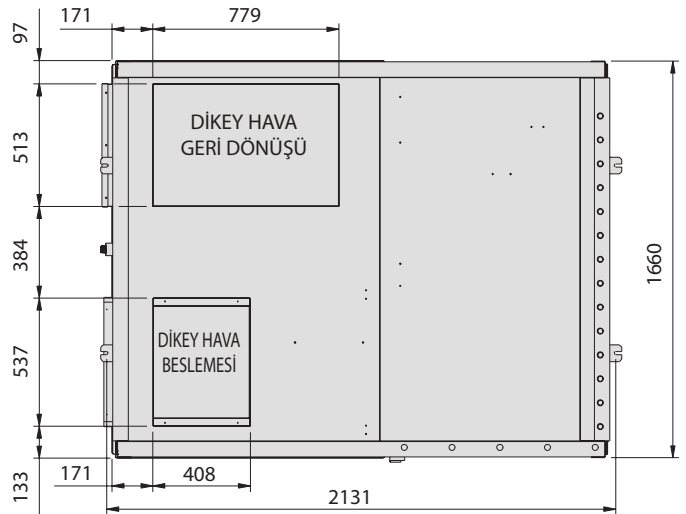
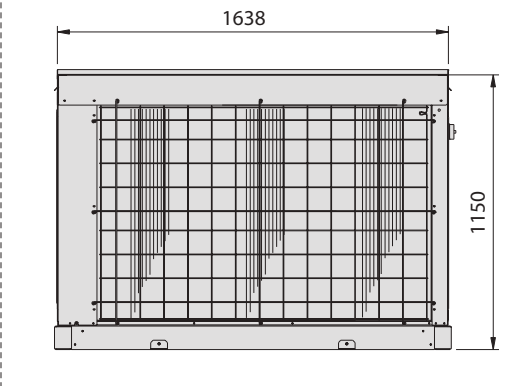
Tüm boyutlar mm olarak verilmiştir



YATAY BOŐALTIMA İÇİN



Ünitenin arkadan görünümü:



DIKEY BOŐALTIMA İÇİN

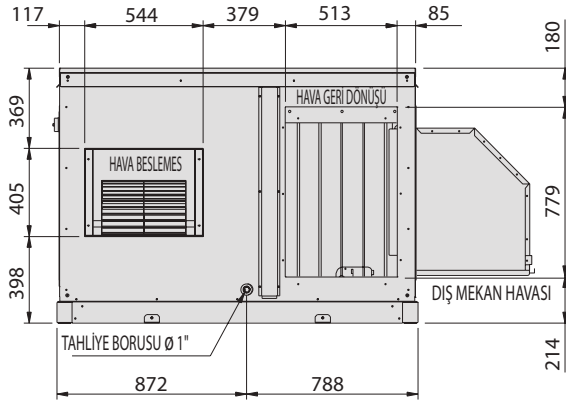
AGIRLIK MERKEZİ

TÜRKÇE

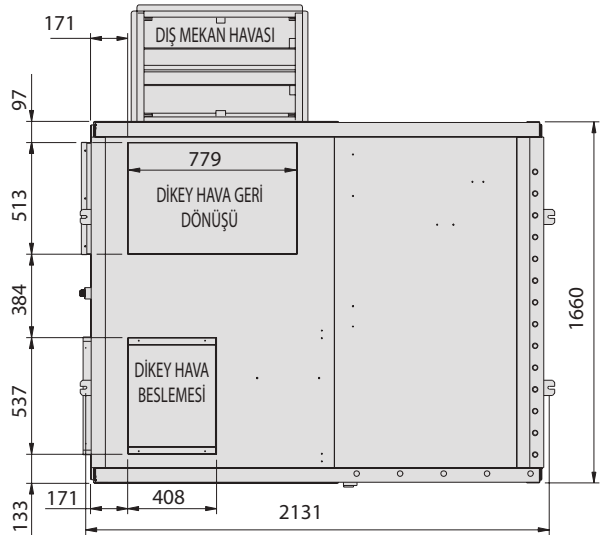
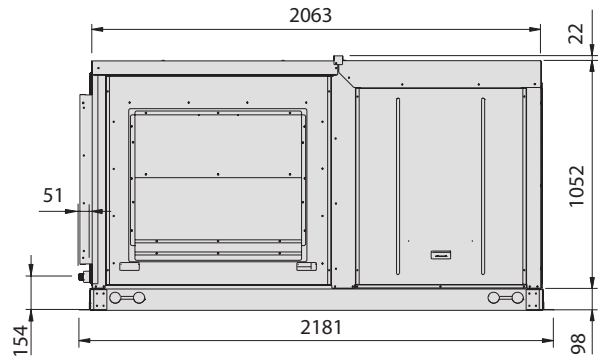
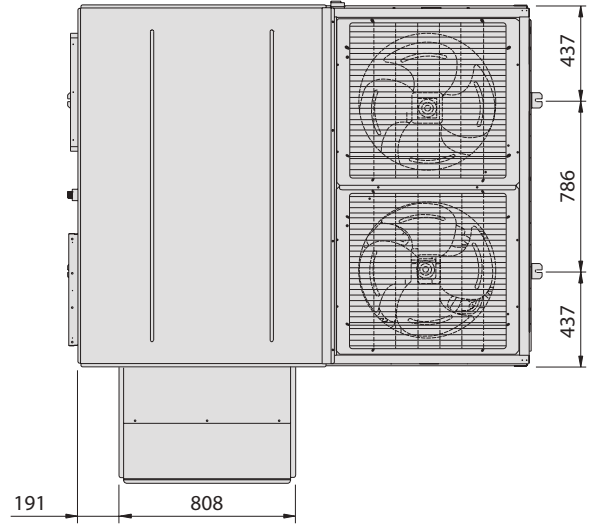
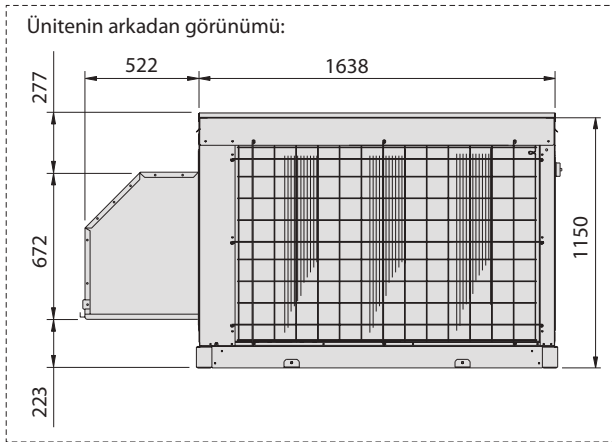
Orijinal talimatların çevirisi

Modeller: EKONOMİZÖRLÜ UATYQ250

Tüm boyutlar mm olarak verilmiştir

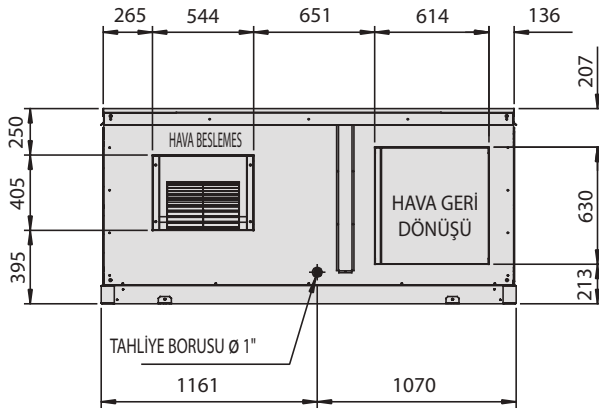
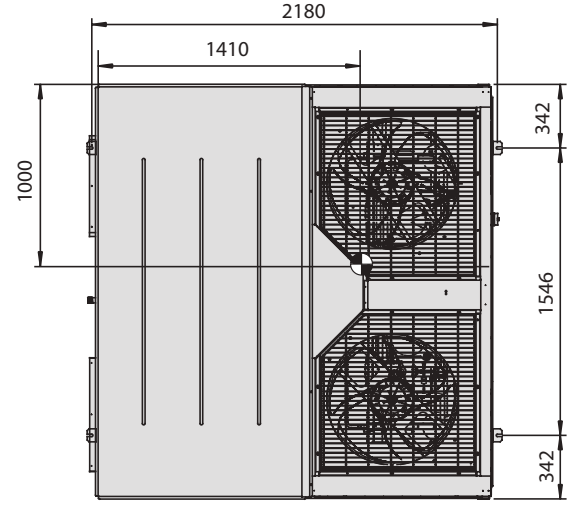


YATAY BOŞALTIMA İÇİN

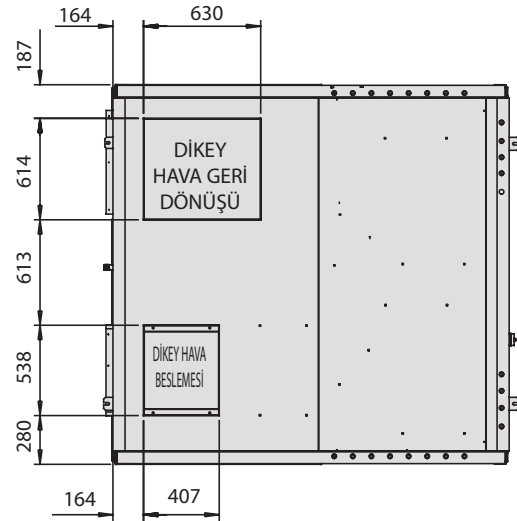
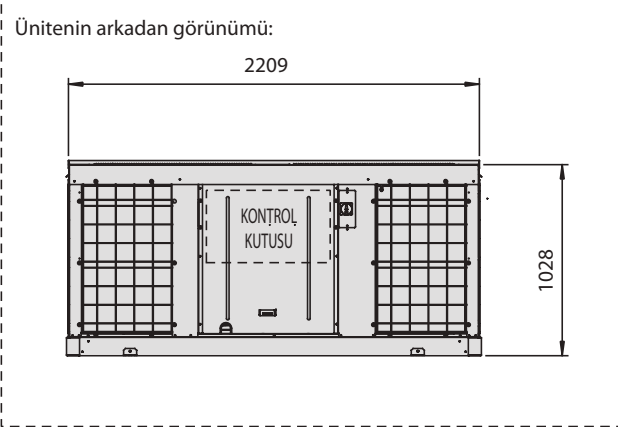
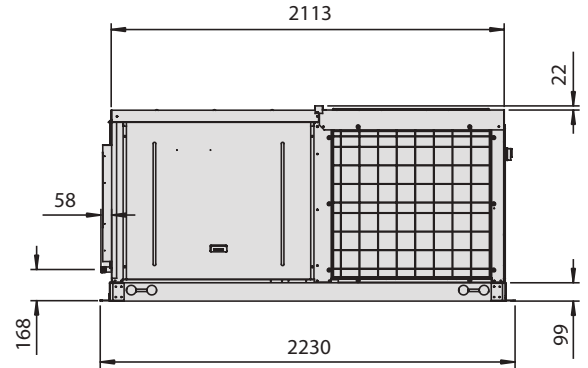


DİKEY BOŞALTIMA İÇİN

Tüm boyutlar mm olarak verilmiştir



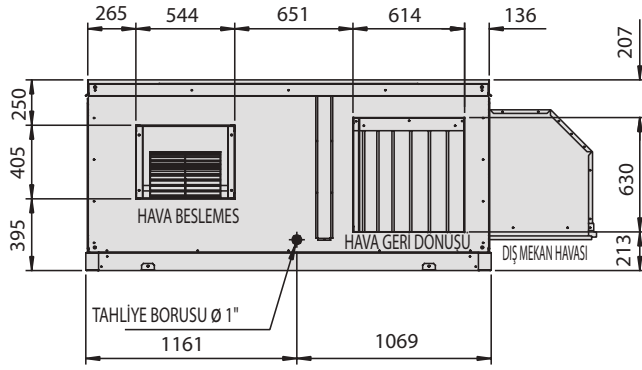
YATAY BOŞALTIMA İÇİN



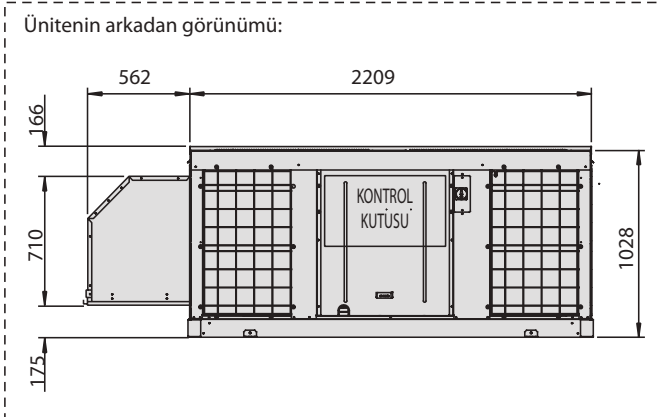
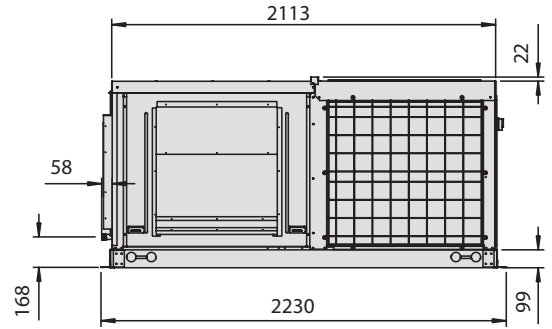
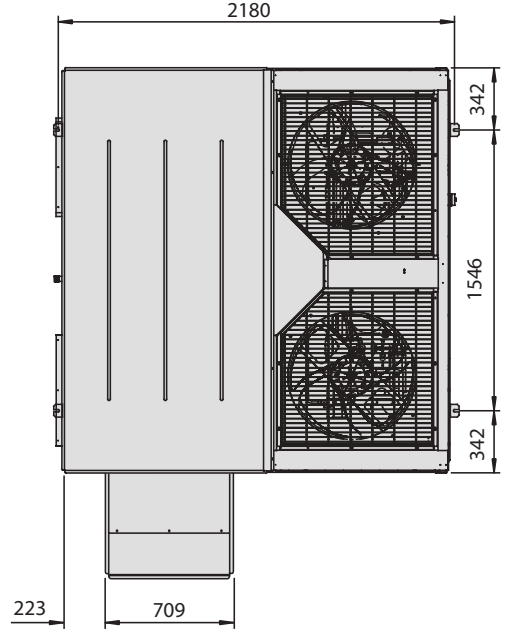
DİKEY BOŞALTIMA İÇİN

Modeller: EKONOMİZÖRLÜ UATYQ350

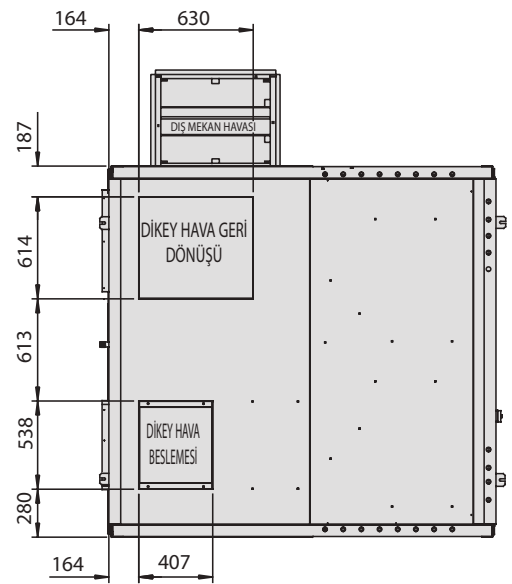
Tüm boyutlar mm olarak verilmiştir



YATAY BOŞALTIMA İÇİN

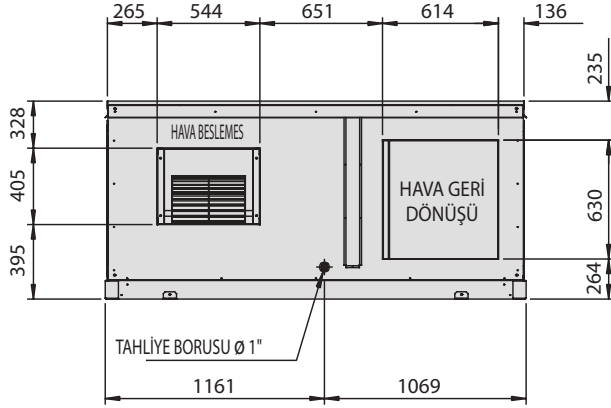


Ünitenin arkadan görünümü:

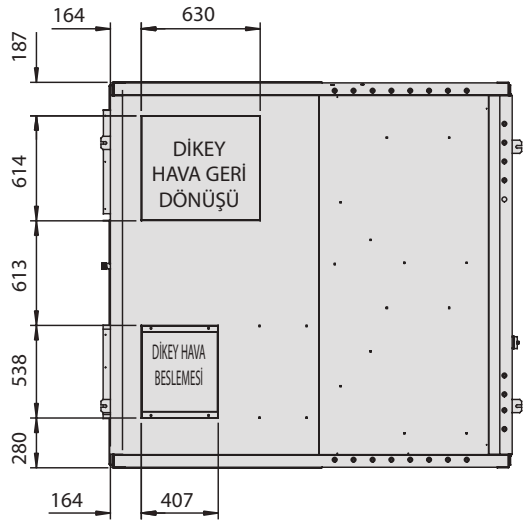
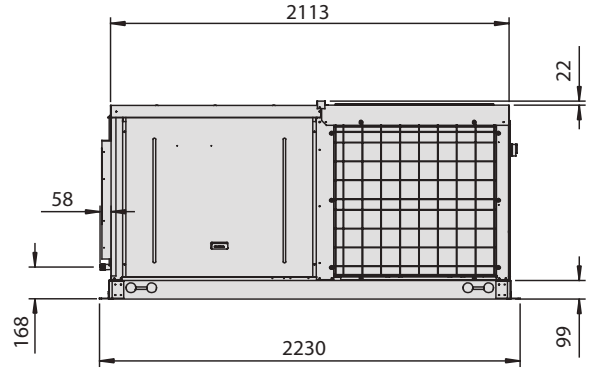
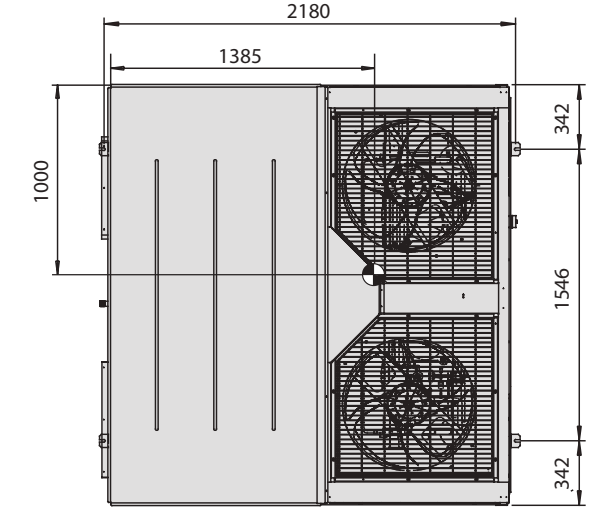
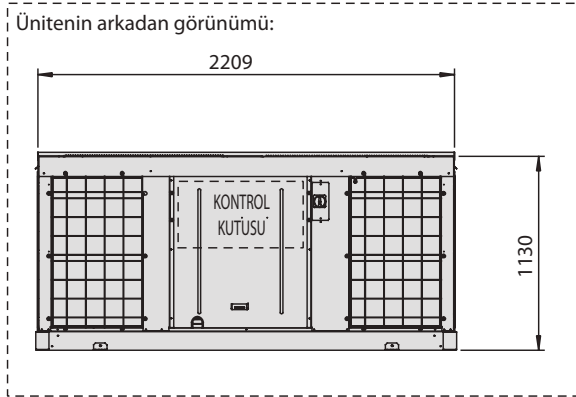


DIKEY BOŞALTIMA İÇİN

Tüm boyutlar mm olarak verilmiştir



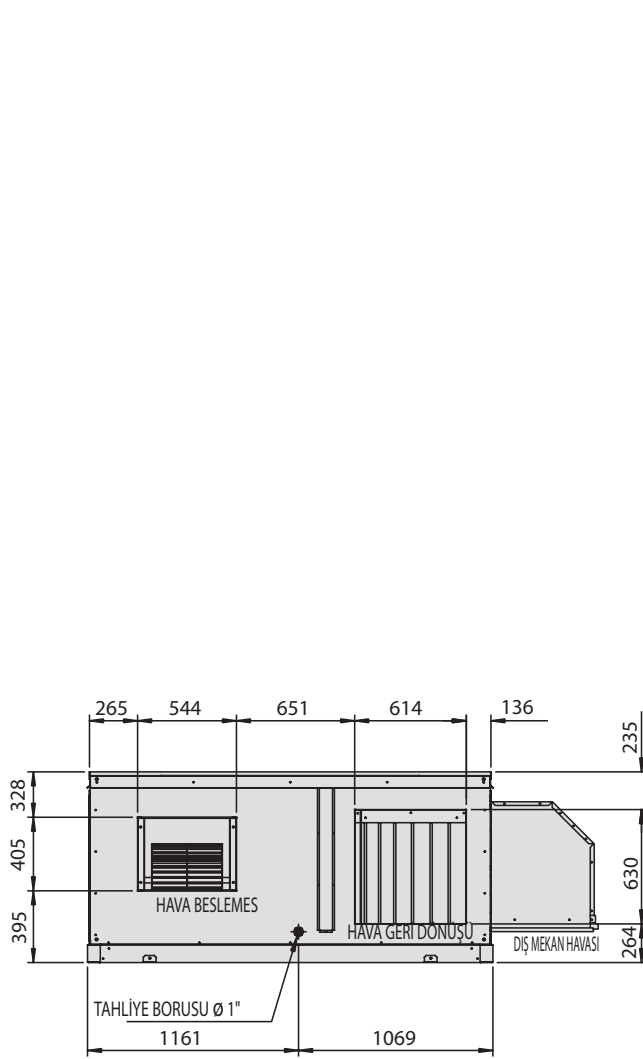
YATAY BOŞALTIMA İÇİN



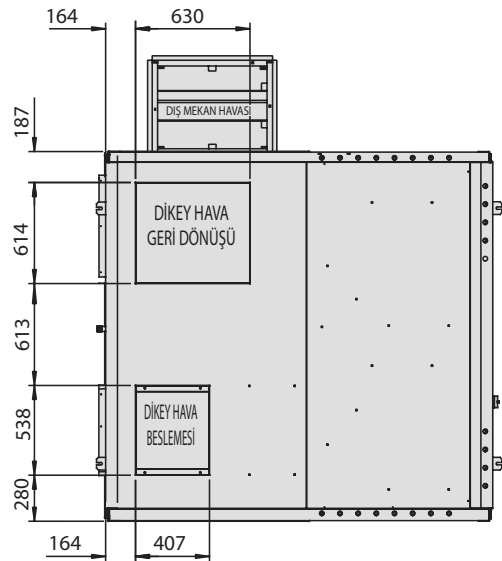
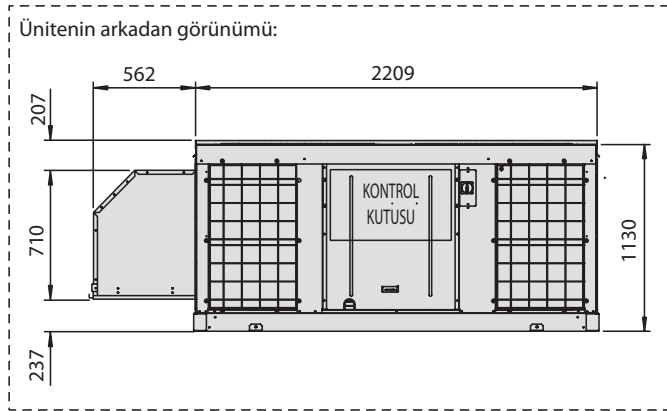
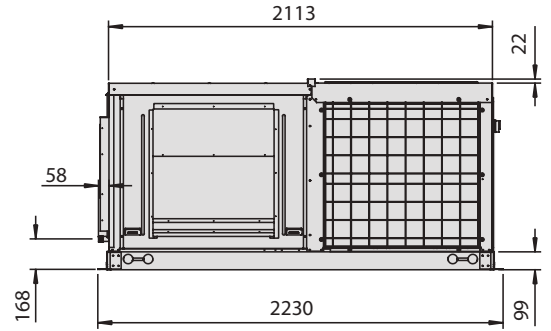
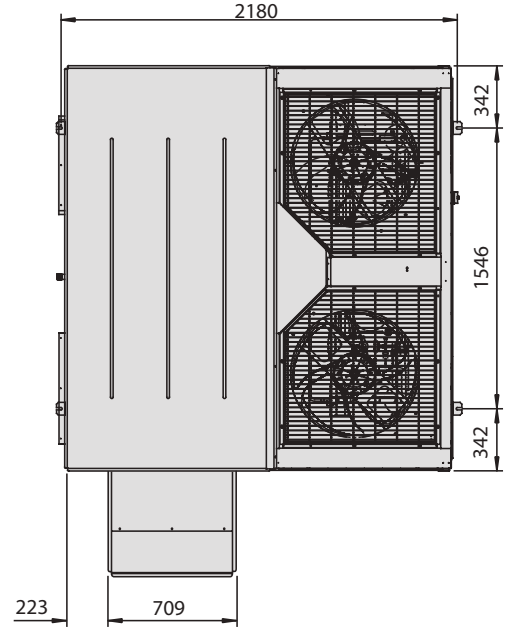
DİKEY BOŞALTIMA İÇİN

Modeller: EKONOMİZÖRLÜ UATYQ450

Tüm boyutlar mm olarak verilmiştir

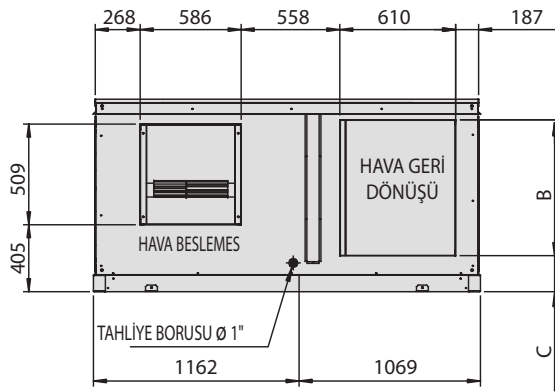
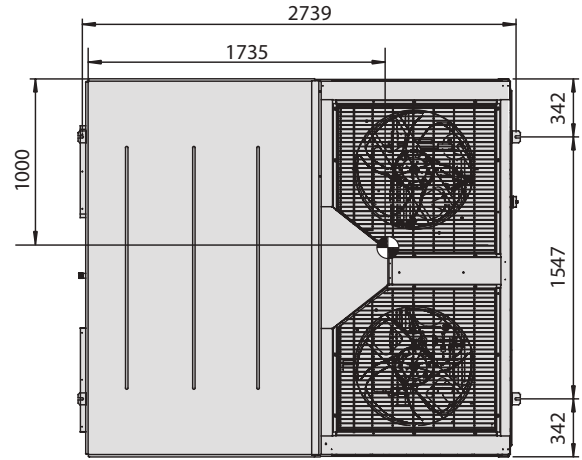


YATAY BOŞALTMA İÇİN

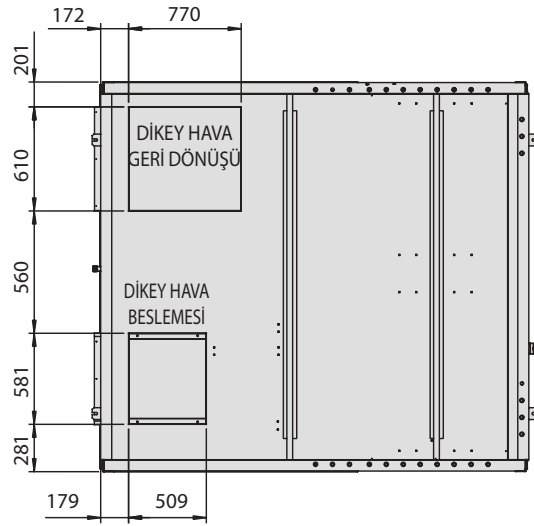
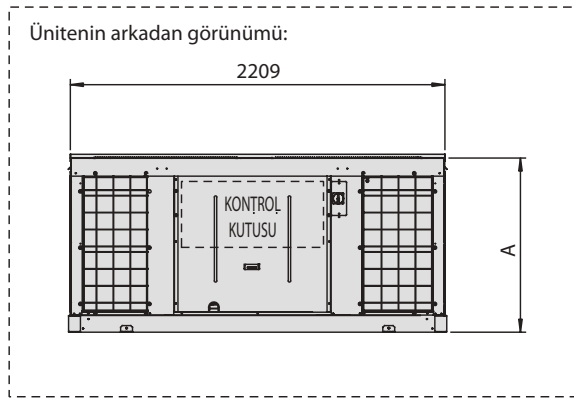
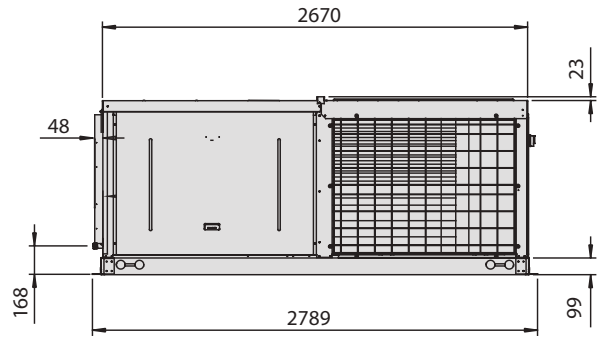


DIKEY BOŞALTMA İÇİN

Tüm boyutlar mm olarak verilmiştir



YATAY BOŞALTIMA İÇİN

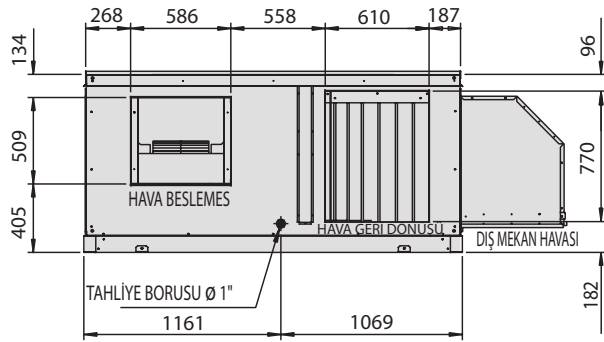


DİKEY BOŞALTIMA İÇİN

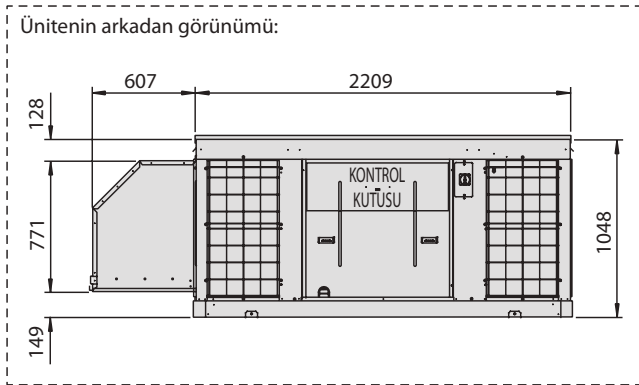
Modeller (UATYQ)	550	600	700	900
A	1048	1302	1454	1454
B	770	770	1176	1176
C	182	322	182	182

Modeller: EKONOMİZÖRLÜ UATYQ550

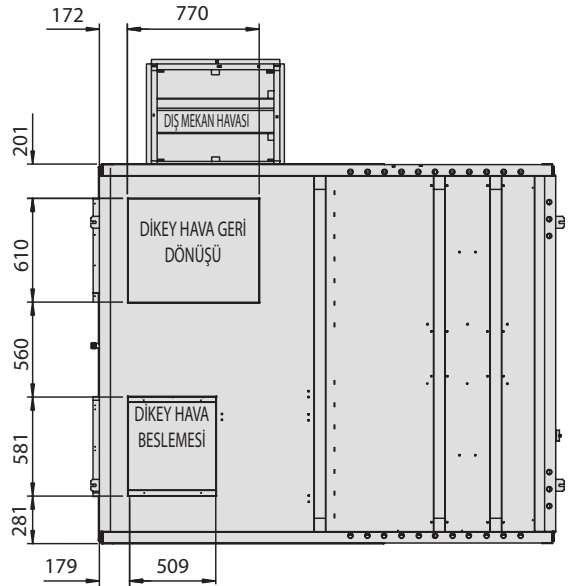
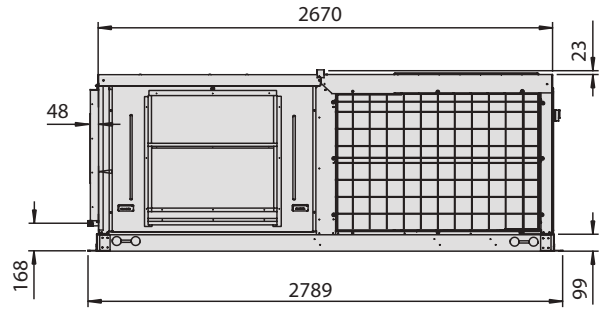
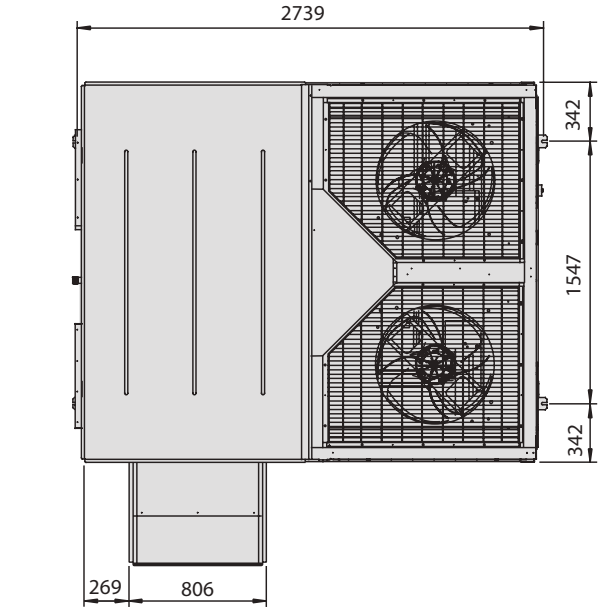
Tüm boyutlar mm olarak verilmiştir



YATAY BOŞALTIMA İÇİN

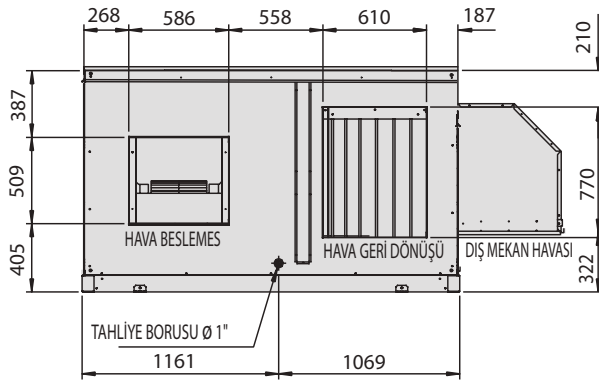


Ünitenin arkadan görünümü:



DIKEY BOŞALTIMA İÇİN

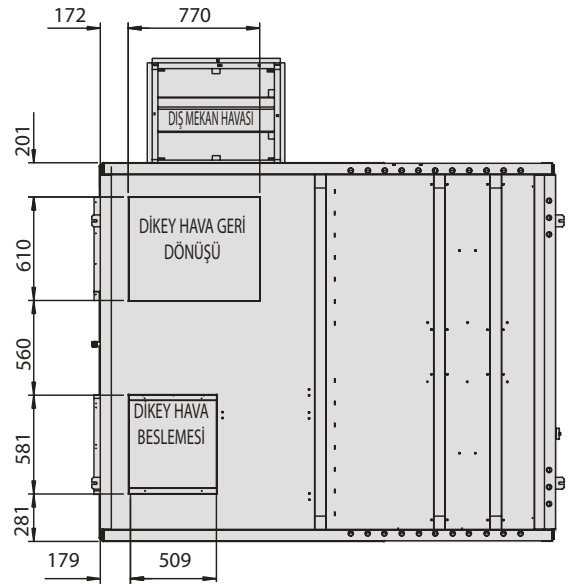
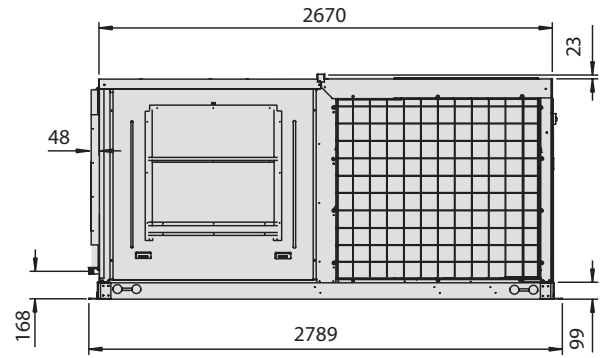
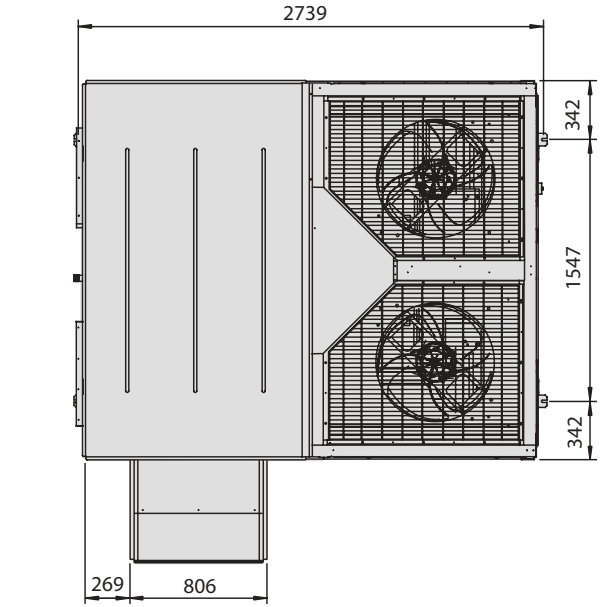
Tüm boyutlar mm olarak verilmiştir



YATAY BOŞALTIMA İÇİN



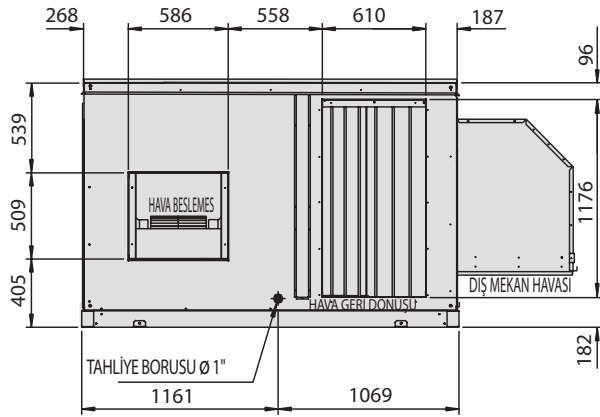
Ünitenin arkadan görünümü:



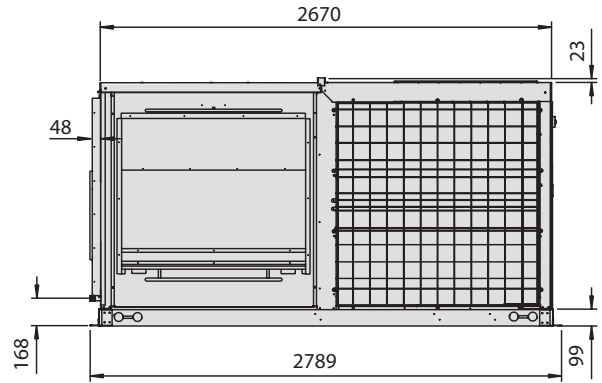
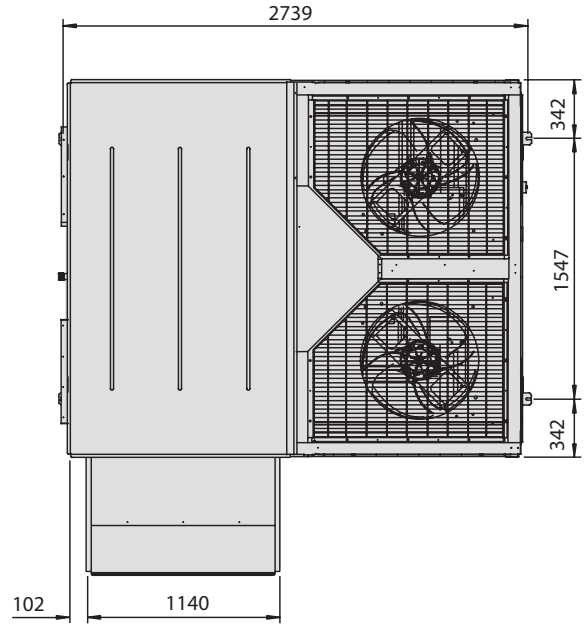
DIKEY BOŞALTIMA İÇİN

Modeller: EKONOMİZÖRLÜ UATYQ700

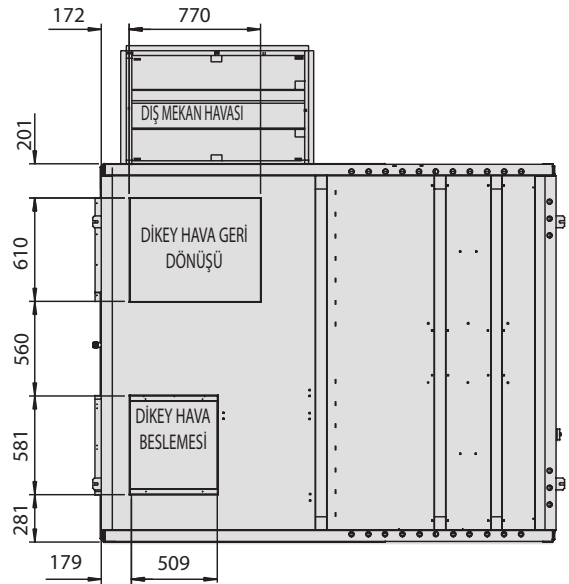
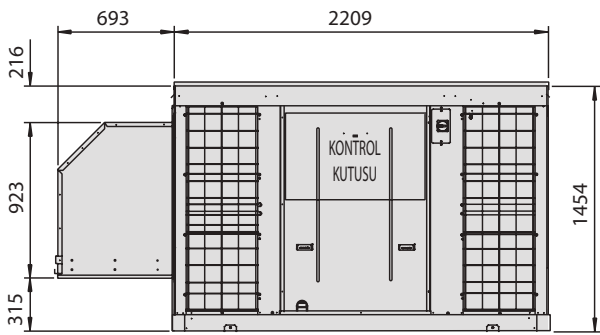
Tüm boyutlar mm olarak verilmiştir



YATAY BOŞALTIMA İÇİN

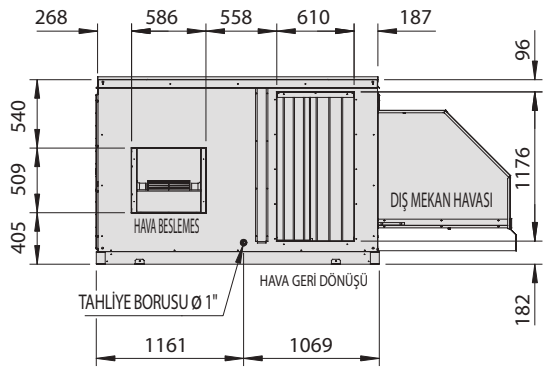


Ünitenin arkadan görünümü:

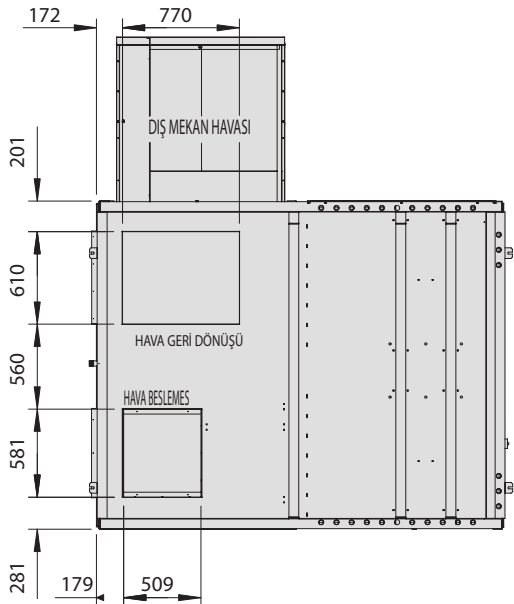
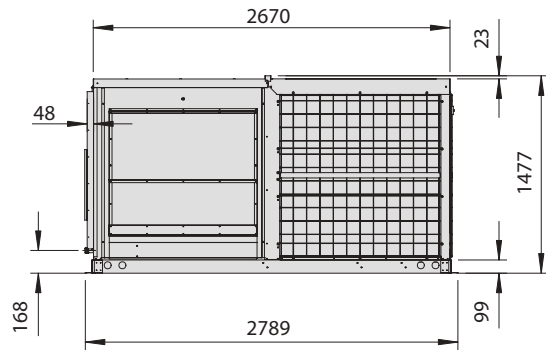
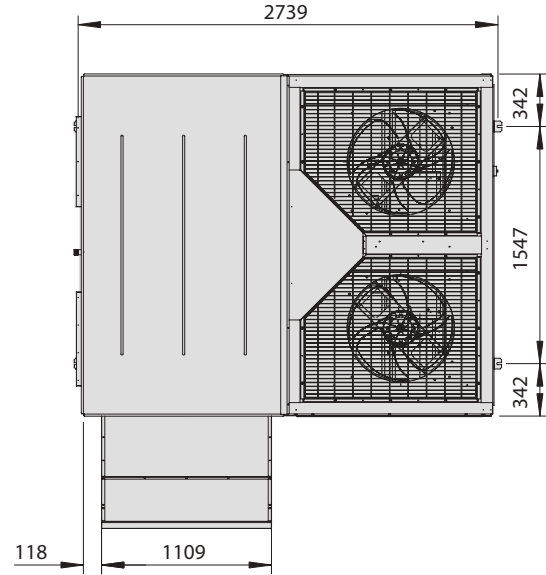
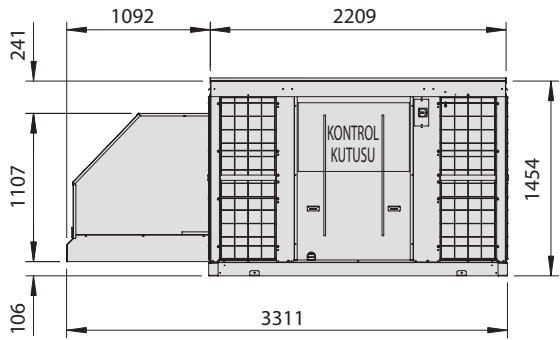


DİKEY BOŞALTIMA İÇİN

Tüm boyutlar mm olarak verilmiştir



YATAY BOŞALTMA İÇİN



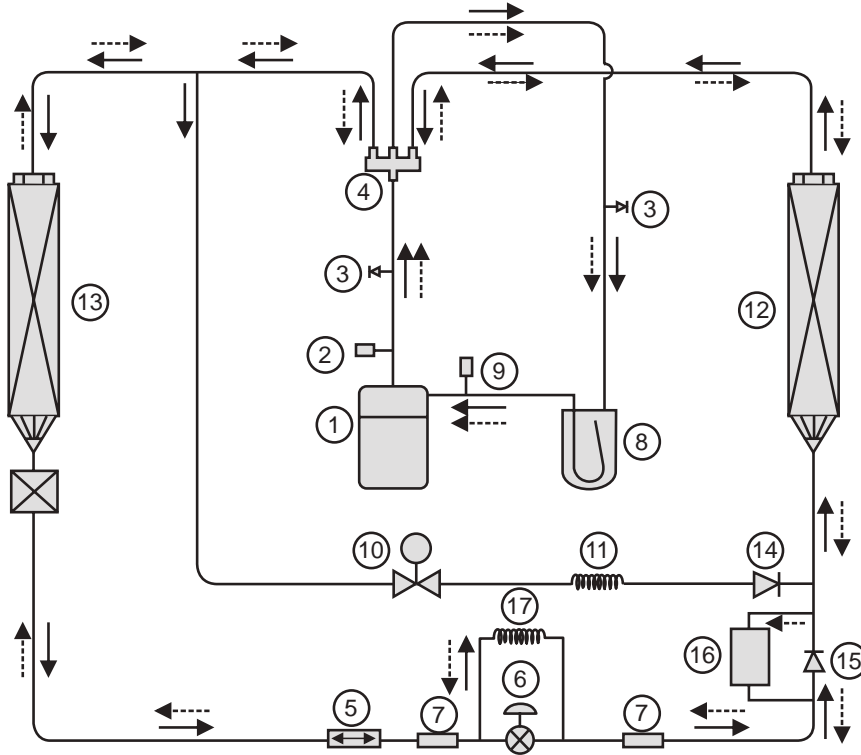
DIKEY BOŞALTMA İÇİN

SĞUTUCU DEVRE ŐEMASI

Modeller: UATYQ 250, 350, 450, 550, 600, 700 & 900

→	Soğutma İşlemi
←-----	Isıtma İşlemi

No.	Parça Tanımı
①	Kompresör
②	Yüksek Basınç Anahtarı
③	Erişim Valfi
④	4 Yollu Valf
⑤	Filtre Kurutucu
⑥	Elektronik Genleşme Valfi
⑦	Süzgeç
⑧	Akümülatör
⑨	Alçak Basınç Anahtarı
⑩	Solenoid Vanası
⑪	Yan Kapiler Tüpü
⑫	İç Mekan Isı Eşanjörü
⑬	Dış Mekan Isı Eşanjörü
⑭	Vana 1'i kontrol edin
⑮	Vana 2'i kontrol edin
⑯	Kompanzator
⑰	Kılcal Boru



- Not:**
- (a) UATYQ350, 450, 550, 600, 700 & 900 sistemde 2 devreden oluşmaktadır.
 - (b) 15 & 16 numaralı parçalar sadece UATYQ350'de kullanılabilir.
 - (c) 17 numaralı parçalar sadece UATYQ700'de & UATYQ900'de kullanılabilir.

KURULUM KILAVUZU

Bu el kitabında, klima ünitesi için güvenli ve iyi çalışma standardı sağlamak için gerekli kurulum prosedürleri verilmektedir.

Yerel gereksinimlere uyum sağlamak için özel ayarlama gerekli olabilir.

Klimanızı kullanmadan önce, lütfen bu talimat el kitabını dikkatli bir şekilde okuyun ve ileride başvurmak üzere saklayın.

Bu cihaz, uzman veya eğitimli kişiler tarafından mağazalarda, aydınlatma endüstrisinde ve çiftliklerde veya meslekten olmayan kişiler tarafından ticari amaçlı olarak kullanılacak şekilde tasarlanmıştır.

Bu cihaz, güvenliklerinden sorumlu bir kimse tarafından cihazın kullanımıyla ilgili nezaret veya talimat sağlanmadıkça çocuklar dahil düşük fiziksel, duysal veya zihni yeteneklere sahip veya deneyimden ve bilgiden yoksun kişilerin kullanımına yönelik değildir.

Cihazla oynamadıklarının garantiye alınması için çocuklar gözetim altında bulundurulmalıdır.

GÜVENLİK ÖNLEMLERİ

ÖNEMLİ

Kullanılan soğutucuyla ilgili önemli bilgiler

Bu ürün, florlu sera gazları içerir. Gazları atmosfere salmayın.

Soğutucu türü:
R410A

GWP⁽¹⁾ değeri:
2087,5

⁽¹⁾ GWP = dünyayı ısıtma potansiyeli Soğutucu miktarı ünite isim plakasında belirtilmektedir. Avrupa veya yerel yasalara bağlı olarak periyodik soğutucu sızıntısı muayeneleri gerekli olabilir. Lütfen daha fazla bilgi için yerel satıcınızla irtibata geçin.

BİLDİRİM

Avrupa'da, toplam soğutucu akışkanın şarjının **sera gazı emisyonları** (ton CO₂ eşdeğeri olarak ifade edilir), bakım aralıklarının belirlenmesi için kullanılmaktadır. İlgili mevzuata uygun hareket edin.

Sera gazı emisyonlarının hesaplanması için kullanılacak formül:

Soğutucu akışkanın GWP değeri
× Toplam soğutucu akışkanın şarjı [kg] / 1000



UYARI

- Kurulum ve bakım işlemleri, yerel kuralları ve yönetmelikleri bilen, bu tür cihazlar konusunda tecrübesi olan kalifiye kişiler tarafından yapılmalıdır.
- Sahadaki tüm elektrik tesisatı, ulusal kablolama yönetmeliklerine uygun bir şekilde yapılmalıdır.
- Elektrik tesisat şemasına göre kabloları çekmeye başlamadan önce ünitenin voltaj değerinin, işletim değerleri plakasındaki değerle aynı olduğuna emin olunuz.
- Yalıtım yetersizliğinin neden olabileceği olası tehlikeleri önlemek için ünite TOPRAKLANMALIDIR.
- Hiçbir elektrik kablosu, soğutucu borularına veya fan motorlarının hareketli kısımlarına temas etmemelidir.
- Üniteyi kurmadan veya üniteye bakım yapmadan önce ünitenin KAPALI duruma getirildiğinden emin olunuz.
- Klimaya bakım yapmadan önce ünitenin kablosunu ana elektrik şebekesinden çıkarınız.
- Güç açık durumdayken güç kablosunu ÇEKMEYİN. Bu, yangın tehlikesiyle sonuçlanabilen ciddi elektrik çarpmalarına neden olabilir.
- Resim bozulmasını ve statik elektrik önlemek için klima üniteleri, güç kablosu ve iletim kablolarını TV ve radyolardan en az 1m uzakta tutun. (Elektrik dalgalarının türü ve kaynağına bağlı olarak, 1m'den uzakta bile statik elektrik duyulabilir).
- Bu cihaz potansiyel patlayıcı bir atmosferde kullanım için üretilmemiştir.



DİKKAT

Lütfen kurulum yaparken aşağıdaki önemli noktalara dikkat edin.

- **Üniteyi yanıcı gaz sızıntısının olabileceği yerlere kurmayın.**



Ünite etrafında gaz sızır ve birikirse, yangına neden olabilir.

- **Tahliye borularının doğru bağlandığından emin olun.**



Tahliye boruları düzgün bağlanmazsa, su sızıntısına neden olabilir.

- **Üniteyi aşırı yüklemeyin.**



Bu ünite fabrikada önceden yüklenmiştir.

Aşırı yükleme aşırı akıma veya kompresör hasarına neden olur.

- **Bakım veya kurulumdan sonra ünite panelinin kapatıldığından emin olun.**



Emniyete alınmamış paneller ünitenin gürültülü çalışmasına neden olur.

- **Keskin kenarlar ve bobin yüzeyleri yaralanma tehlikesinin olabileceği yerlerdir. Bu yerlere temas etmekten kaçınınız.**

- **Güç kaynağını kapatmadan önce, ünitenin sıkıntı çıkarmasını önlemek için uzaktan kumandanın ON/OFF anahtarını "OFF" konumuna getirin.** Bu yapılmazsa, elektrik yeniden geldiğinde ünitenin fanları otomatik olarak çalışmaya başlar ve bu durum bakım personeli veya kullanıcıya karşı tehlike oluşturur.

- **Isıtma aygıtlarını klima ünitesine çok yakın çalıştırmayın.**

- **Gelen güç kaynağında ekli veya kıvrılmış kablolar kullanmayın.**

Atım Şartları:

Ünitenin sökülmesi, soğutucu, yağ ve diğer parçaların atım işlemleri ilgili mevzuata uygun olarak yapılmalıdır.

ÜNİTENİN KURULMASI

A Kurulum Yeri

- Üniteyi, ünite tarafından boşaltılan hava tekrar içeri çekilmeyecek şekilde kurun (hava boşaltma kısa devresi durumundaki gibi). Ünite etrafında bakım için yeterli alan bırakın.
- Bir yere iki veya daha fazla ünite kurulduğunda, üniteler diğer üniteden boşaltılan havayı almayacak şekilde yerleştirilmelidir.
- Birimin içine veya dışına hava akışı engeli olmadığından emin olun. Hava alımını veya boşaltımını önleyen engelleri kaldırın.
- Kurulum yeri ünitenin bol miktarda havayı çekip dağıtabilmesi için iyi havalandırılmalıdır.
- Ünitenin kurulması önerilen yerler:-
 - Ünitenin ağırlığına dayanabilen ve gürültü ve titreşimi yalıtılabilen bir yer.
 - Yeterli tahliye sahip bir yer.
 - Ünitenin kar altında kalmayacağı bir yer.
 - Hava giriş ve çıkışı deliklerinin güçlü rüzgarlara maruz kalmayacağı bir yer.
 - Hava boşaltma ve çalışma ses düzeyinin komşuları rahatsız etmeyeceği bir yer.
 - Herkesin erişemeyeceği bir yer.

Not

ü Ekonomizörlü birimin kurulumu için bu el kitabının “İSTEĞE BAĞLI AKSESUARLAR” bölümü altındaki (B) (iii) kısmında verilen tavsiyelere göre hareket ediniz.



DİKKAT

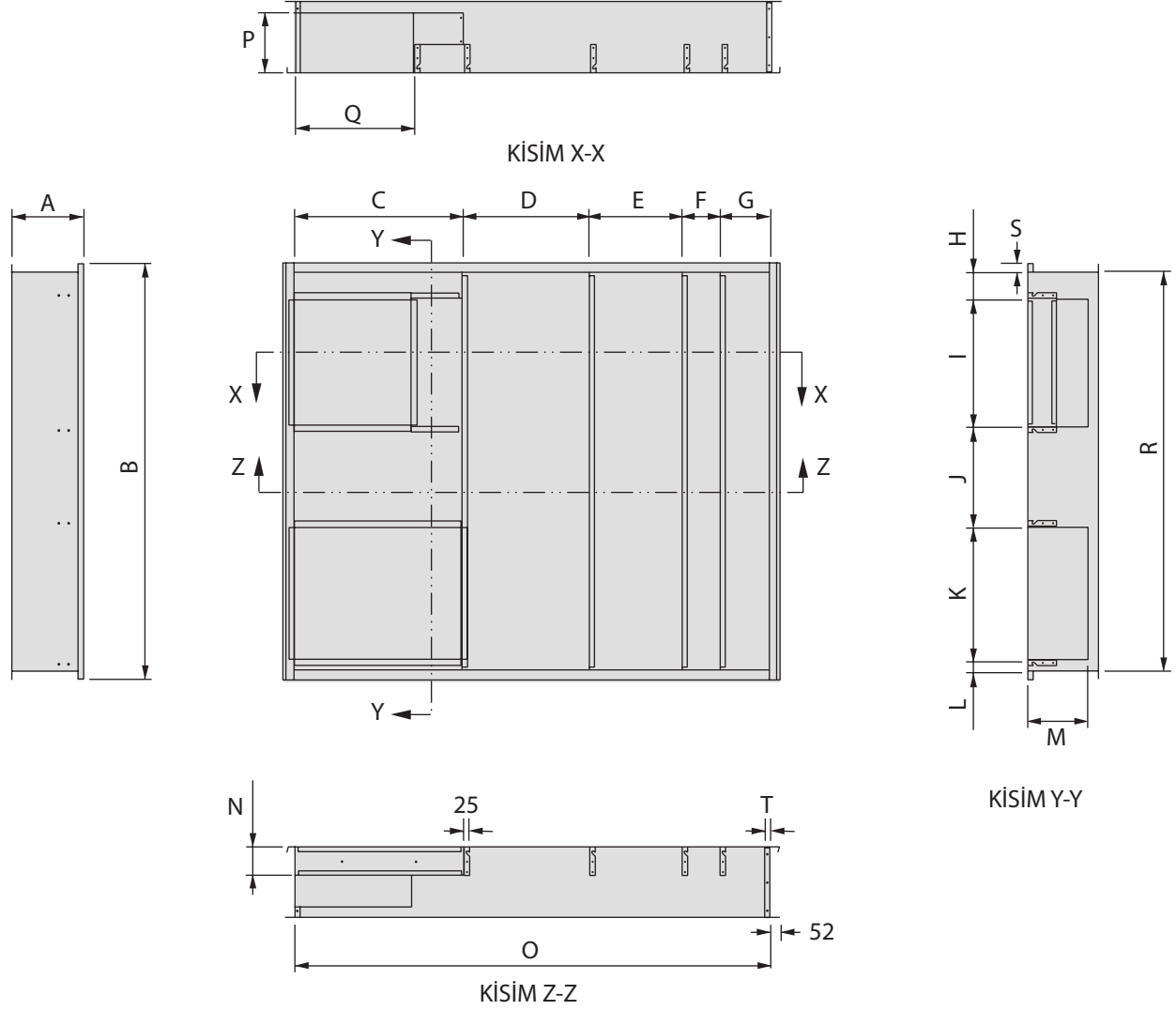
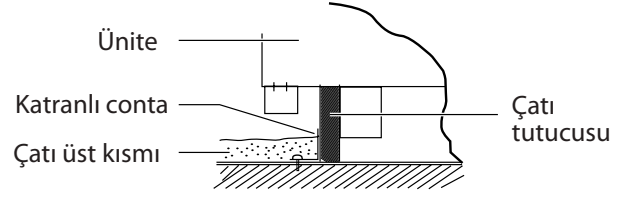
Denizden yüksekliği 2000m üzerinde ünite monte etmeyin.

B Kanal İnşası

- Bu ünite hava besleme ve geri dönüş delikleriyle donatılmıştır. Üniteye kanal bağlantısı kanal flanşlarıyla yapılmalıdır ve normal gürültü iletimini önlemek için hava deliklerine esnek kanal konnektörleriyle doğrudan bağlanmalıdır.
- Hava sızıntısını önlemek için tüm kanal bağlantı yerleri contalanmalıdır.
- Havalandırılmayan yerlerdeki kanallar izole edilmelidir.
- Dışarıda bulunan kanallar hava şartlarına dayanıklı olmalıdır.
- Binaya çatıdan giren kanallarda binaya yağmur kum, toz, vb. girmesini önlemek için hava yalıtımıyla contalanmalıdır.
- Hava kanalı geri dönüşüne doğru boyutta filtre takılmalıdır.

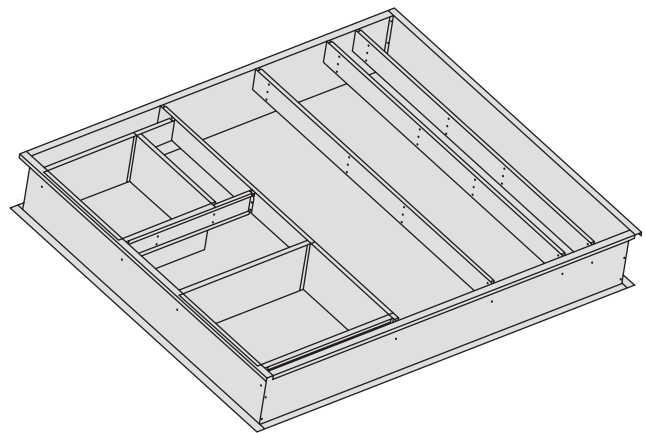
C Ünite Desteği (Yalnızca aşağıya bükülü ünite için)

- Şekilde bu üniteleri monte etmek için çatı tutucusu kullanımı gösterilmektedir.
- Tutucu hava yalıtımıyla çatıya contalanıp sabitlenmelidir. Önerilen ünite ve çatı tutucusu contalama şekli sağda gösterilmektedir.
- Önerilen çatı tutucusu boyutları aşağıda gösterilmektedir.



Modeller (UATYQ)	250	350/450	550/600/700/900
A	355	355	355
B	1506	2081	2081
C	840	700	840
D	315	410	625
E	315	410	462
F	0	0	190
G	314	287	248
H	0	131	131
I	607	600	646
J	322	544	495
K	540	682	676
L	0	42	51
M	300	300	300
N	141	141	141
O	1784	1807	2365
P	300	300	300
Q	481	477	590
R	1469	1998	1998
S	20	41,5	41,5
T	20	41,5	41,5

Not: Tüm boyutlar mm olarak verilmiştir

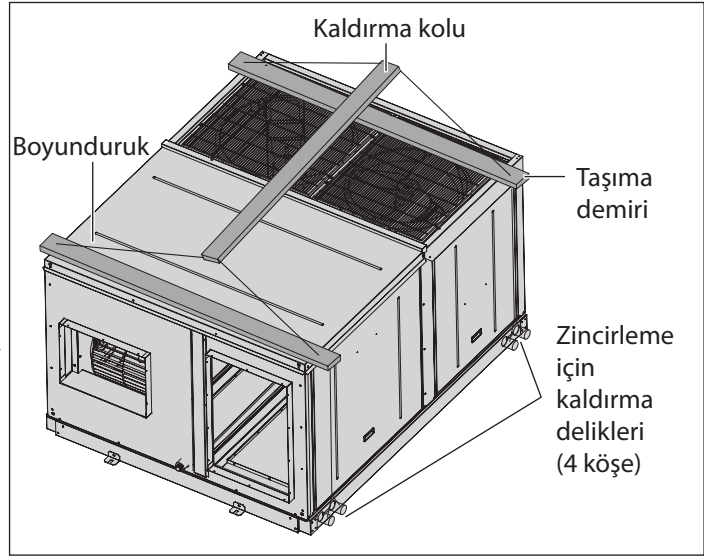


D Üniteyi Kaldırma

- Ünite tabanının 4 köşesindeki delikler ünitenin kaldırılması amacıyla kullanılır.
- Taşıma demiri ünite genişliğinden biraz geniş olmalıdır.
- Kaldırırken panele hasar vermemek için boyunduruğun 4 köşesine yalıtım maddesi eklenmelidir.

Not

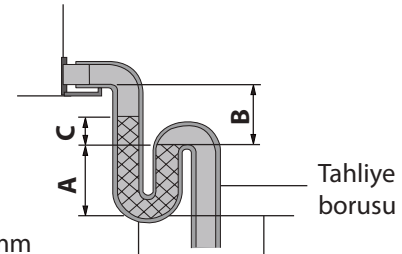
- Şemada gösterilen ünite UATYQ250'dir.
- Diğer modeller aynı kaldırma yöntemi uygulanmalıdır.



E Tahliye Borusu

- A 1" MPT kondansatör tahliyesi bağlantı parçası verilir. Tahliye borusu ön taraftan dışarı çıkarılabilir.
- Tahliye borusu ünitenin dış tarafında sifonla olmalıdır ve sağda gösterildiği gibi düzgün tahliye için eğimli takılmalıdır.
- Yoğuşma oluşumu ve sızıntıyı önlemek için terlemeye karşı korumak üzere tahliye borusuna yalıtım uygulayın.
- Boru takma işlemi tamamlandığında sızıntı olmadığını ve suyun düzgün tahliye edildiğini kontrol edin.

Tahliye borusunda bir tahliye sifonu olmalıdır.



A \geq 70mm

B \geq 2C

C \geq 2 X ESP

Tahliye sifonu Tahliye borusu bu seviyenin altına uzamalıdır.

Not

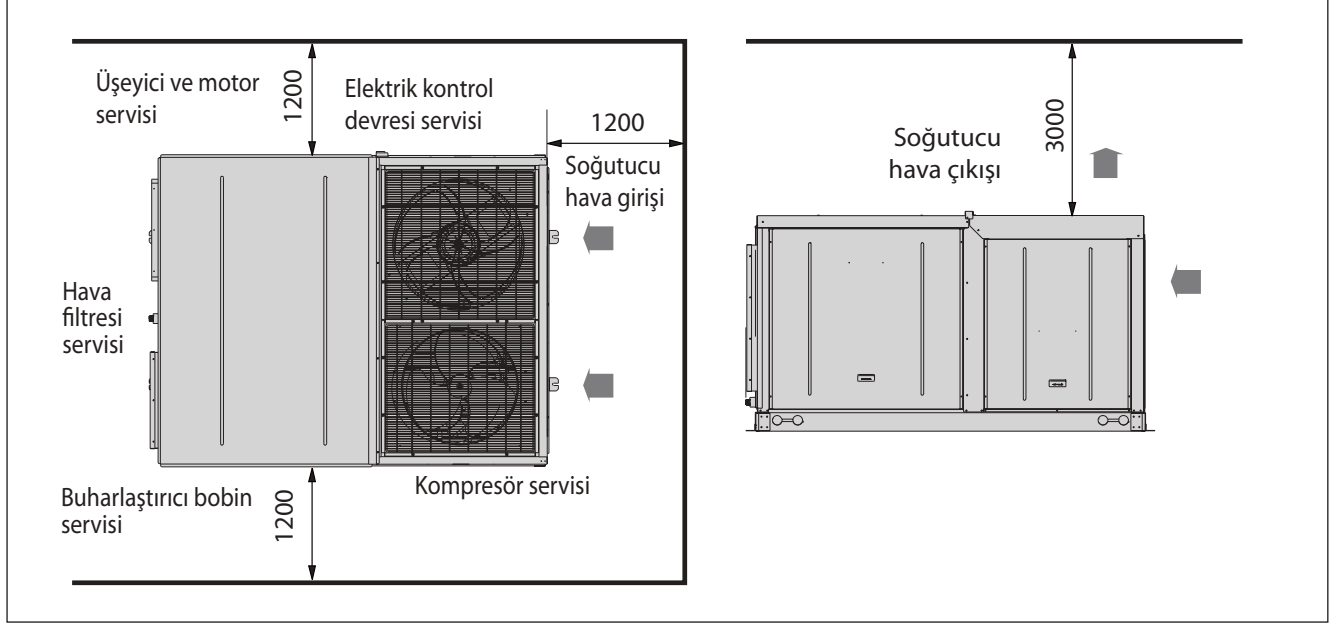
- ESP = Dış Statik Basınç

Kondensatör için tahliye sifonu

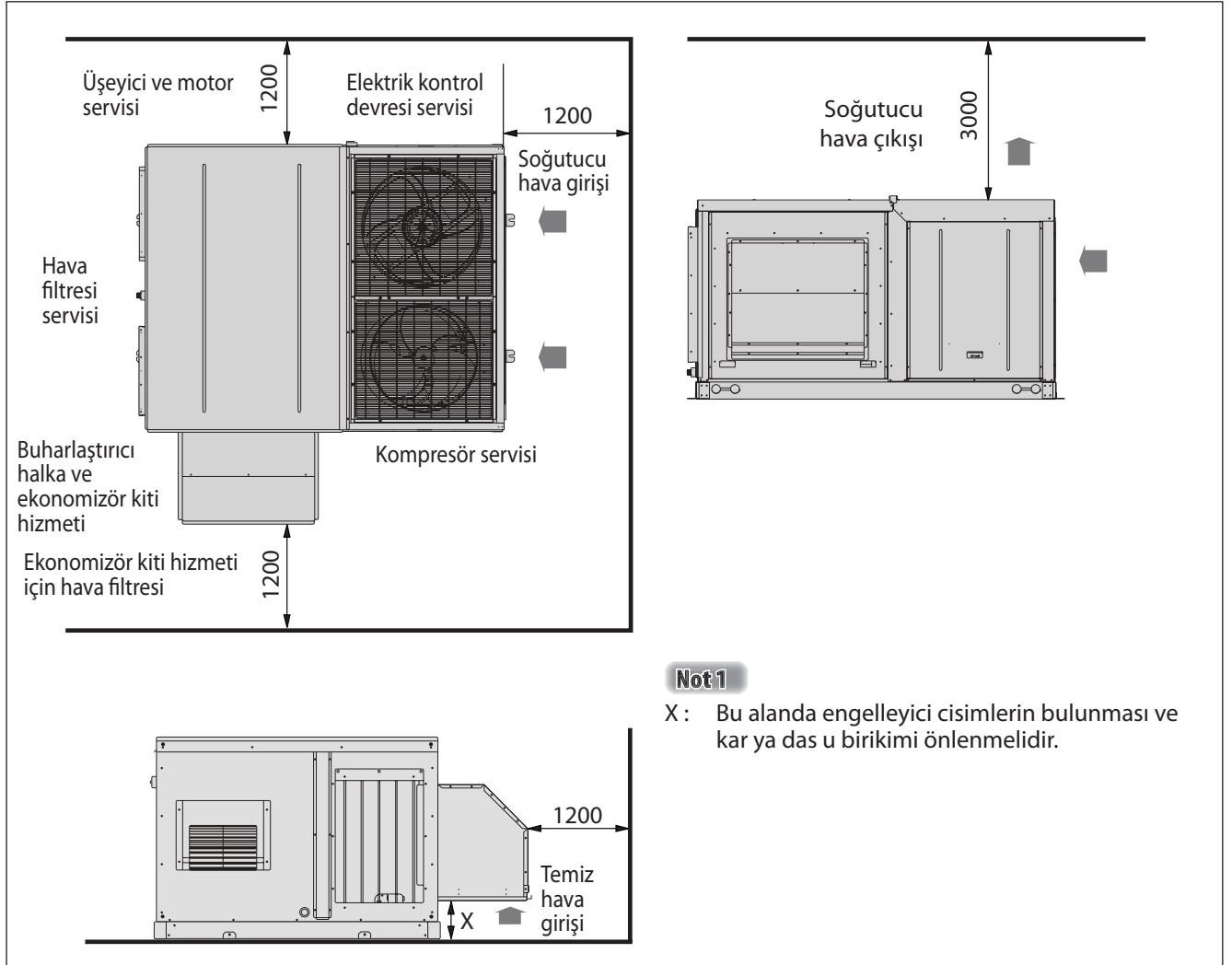
F Ünitenin Etrafında Boşluk Olmalıdır

Ünitenin etrafında gerekli olan boşluk için aşağıdaki şemaya bakın. Not:-

- Tüm boyutlar mm olarak gösterilmektedir.
- Gösterilen tüm boşluk değerleri ünite için gerekli **en az açıklıktır**.
- Şemada gösterilen ünite UATYQ250'dir. Diğer modeller aynı açıklık uygulanacaktır.



Ekonomizör kiti takıldığında ek alan veya boşluk gereklidir. Ünite ekonomizör kitiyle donatıldığında, ekonomizör kitli ünitenin etrafında gerekli olan boşluk aşağıdaki şemaya uygun olmalıdır:-



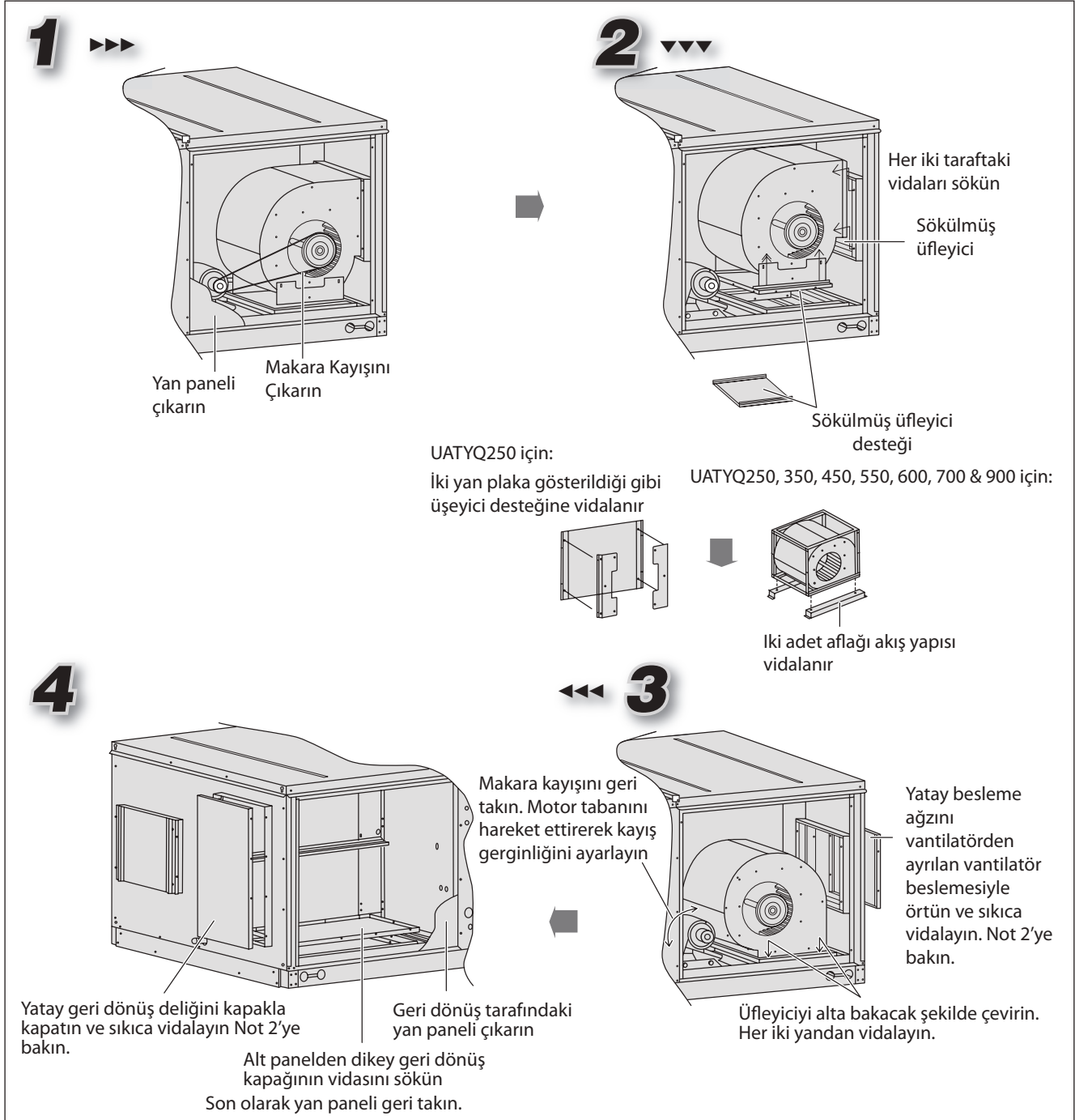
Not1

X : Bu alanda engelleyici cisimlerin bulunması ve kar ya das u birikimi önlenmelidir.

G Üniteyi Çevirme

Standart birimin atma birimine çevrilmesi durumunda aşağıda belirtilen adımları izleyiniz:

UATYQ250, 350, 450, 550, 600, 700 & 900



Makara kayışını geri takın. Kayış gerginliğini ayarlayın. Son olarak yan paneli geri takın. Not 1'ye bakın.

Not 1

Atma çevrimi için kemer uzunluğu değiştirilmelidir.
Standart kayışlı ünite için, kayış uzunluğu = a mm
Atma için şaftlar arası mesafe, C-C = b mm

	UATYQ250	UATYQ350	UATYQ450	UATYQ550	UATYQ600	UATYQ700	UATYQ900
a	1432	1457	1382	1500	1500	1500	1500
b	425	430	345	420	420	440	445

Not 2

Metal kapak ve flanş arasına conta benzeri (saha beslemesi) sızdırmazlık sağlayıcı yerleştirilmelidir. Ayrıca, su sızdırmazlığını sağlamak için tüm ek yerlerine, vida deliklerine ve boşluklara hava sızdırmaz silikon uygulanmalıdır.

Not 3

Vantilatör eğrisi ve değişken derece makarası teknik verileri için Mühendislik Veri Kitabına bakınız.

FİZİKSEL VERİLER

Isı Pompası (R410A)

Modeller		UATYQ250	UATYQ350	UATYQ450	UATYQ550	UATYQ600	UATYQ700	UATYQ900
Soğutucu		R410A						
Soğutucu doldurma	kg	6,1	5,8/5,8	7,2/7,2	8,7/8,7	10,4/10,4	11,6/11,6	11,6/11,6
Buharlaştırıcı hava akışı	CFM	3300	4300	5650	6700	7300	8300	9600
	L/S	1557	2029	2667	3162	3445	3917	4531
Dış statik basınç	mmAq	15			21			
	Pa	147			206			
Kondensatör hava akışı	CFM	8230	6000/6000	6050/6050	6450/6450	10100/10100	10600/10600	10600/10600
	L/S	3884	2831/2831	2855/2855	3044/3044	4767/4767	5003/5003	5003/5003
Kontrol		Kablolu Rooftop Denetleyicisi						
Kontrol kablosu uzunluğu (Standart/Maks.): Boyut	m : mm ²	15 / 100 : 3						
Kompresör (Tür/Miktar)		kaydırma/1	kaydırma/2	kaydırma/2	kaydırma/2	kaydırma/2	kaydırma/2	kaydırma/2
Hava filtresi (Tür/Miktar)		Yıkabilir Saranet/2						
Hava filtresi boyutu (Uzunluk x Genişlik x Kalınlık)	mm	880 x 467 x 4	1126 x 385 x 4	1126 x 435 x 4	1497 x 392 x 4	1497 x 495 x 4	1497 x 595 x 4	1497 x 595 x 4

ELEKTRİK VERİLER

Isı Pompası (R410A)

Modeller		UATYQ250	UATYQ350	UATYQ450	UATYQ550	UATYQ600	UATYQ700	UATYQ900
Güç kaynağı	V/Ph/Hz	380-415/3N~/50						
Maks. sürekli akım (Komp)	A	26	17/17	19/19	26/26	28/28	29/29	40,0/40,0
Tam yük akımı (FLA, Komp)	A	21	12/12	15/15	21/21	22/22	25/25	34,0/34,0
Kilitlenmiş rotor akımı (LRA, Komp)	A	111	74/74	101/101	111/111	118/118	118/118	174,0/174,0

Ekipman, EN 61000-3-11 in gereksinimlerini karşılamaktadır ve ana elektrik tesisatına koşullu bağlantıya tabidir. Elektrik tedariki hususunda yetkili makama danışılarak da bağlanabilir. Ekipman, ancak ve ancak aşağıdaki tabloda belirtilen değerden daha düşük empedans değerli bir sistem ile ana elektrik tesisatına bağlanabilir. Arayüz noktasındaki sistem empedansı, elektrik tedariki hususunda yetkili makamdan öğrenilebilir.

Modeller	Maksimum empedans (Z_{maks}), ohm
UATYQ250	0,22
UATYQ350	0,23
UATYQ450	0,21
UATYQ550	0,21
UATYQ600	0,21
UATYQ700	0,21
UATYQ900	0,20

Şebeke kaynağının sistem empedansı daha yüksek ise ekipman çalıştırıldığında veya çalışırken kısa gerilim düşüşleri yaşanabilir. Bu durum, özellikle aynı şebeke hattına bağlı lambalar gibi diğer aparatların çalışmalarını etkileyebilir.

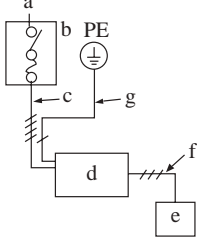
KABLO BAĞLANTISI

- Tüm elektrik işleri kalifiye bir elektrikçi tarafından ve yerel besleme gereksinimi ve ilgili düzenlemelere göre gerçekleştirilmelidir.

Elektrik kablosunu bağlama yöntemi

Kabloyu bağlamadan önce, elektrik şirketi yetkilisine danışın.

1. Ünitenin tam kablo şeması



a	Güç kaynağı
b	Ana anahtar/sigorta (saha beslemesi)
c	Ünite için güç kaynağı kablosu
d	Ünite
e	Uzaktan kumanda
f	Ünite ve uzaktan kumanda için kablo bağlantısı
g	Toprak

2. Ünite kablo bağlantısı

Güç beslemesi kabloları ve denetim kablosunu üniteye darbe delikleri veya kablo deliklerinden geçirin.

Servis panellerini çıkarın ve ünitelerin güç kaynağı kablolarını kontrol kutusundaki bağlantı kutusuna gösterildiği gibi bağlayın.

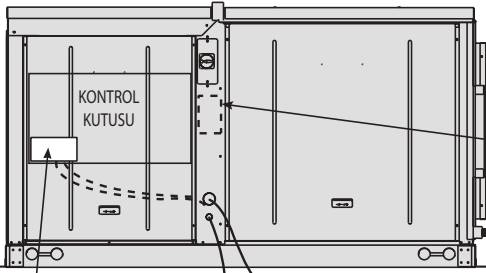
Güç beslemesi kablolarını düzgün tutmak için denetim kutusu altındaki itmeye bırakan kablo bağlarını kullanın.

Not

Devre kesiciyi üniteye takarken, vidaların ünite içindeki bileşenlere (örneğin, bobin) hasar vermediğinden emin olun. Ayrıca, anahtar kutusu üniteye takmadan yerleştirilebilir.

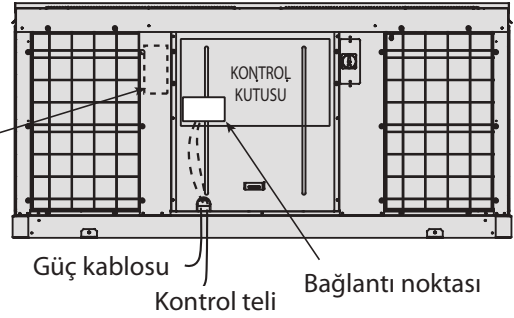
Darbe delikleri yalnızca güç kablosu deliğiyle birlikte gelen UATYQ250, UATYQ350, UATYQ450, UATYQ550, UATYQ600, UATYQ700 & UATYQ900 güç kablosu deliğiyle gelir.

UATYQ250



Bağlantı noktası Kontrol teli Güç kablosu (kurulumun ardından çıkartma deliklerini kapayın)

UATYQ350, 450, 550, 600, 700 & 900



Önerilen anahtar kutusu konumu

Güç kablosu Kontrol teli Bağlantı noktası

Devre Kesici Kablo Örneği Ve Seçimi

Modeller	Güç kablosu (mm ²)	Kesici kapasitesi (A)	Afflı akım koruma anahtarı (A)	Toprak kablosu (mm ²)
UATYQ250	4	32	32	4
UATYQ350	6	40	40	6
UATYQ450	10	40	40	10
UATYQ550	10	50	50	10
UATYQ600	16	63	63	16
UATYQ700	25	80	80	25
UATYQ900	35	100	100	35

Not

Tüm kutuplarda kontak ayırıcıya sahip olan ana anahtar veya diğer ayırma araçları yerel ve ulusal yasalara göre sabit kabloyla birleştirilmelidir.

- Ünite elektrik dağıtım kartından devre kesici (tercih edilen) veya HRC sigortası ile doğrudan kablolanmalıdır.
- Güç kaynağı kablosunu kontrol modülüne sabitleyin. Kontrol kablosunu kontrol kutusu deliğinden kontrol bağlantı kutusuna bağlayın.
- Toprak kablosu bağlanmalıdır.
- Güç kaynağı kablosu en az gereksinim olan H07RN-F ile eşdeğer olmalıdır ve koruyucu tip içinde kullanılmalıdır.
- Şebeke bağlantısındaki tüm kutup ayırıcılar en az 3 mm'lik bir kontak ayırıcısına sahip olmalıdır.



UYARI

- Bu üniteye çalışma yapmadan önce, güç kaynağından ayırın.
- Bu ünitenin elektrik kabloları ve uzaktan kumandası yerel kablolama kanunlarının gereklerine uygun olarak olarak takılmalıdır.

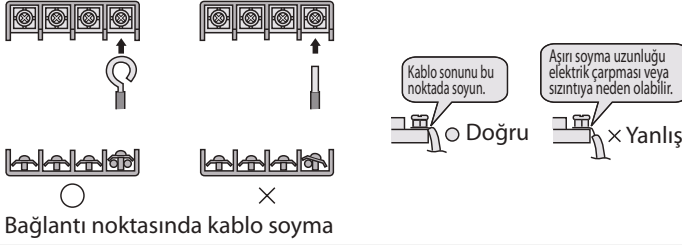
Bağlantı noktasına kablo takarken aşağıda bahsedilen hususları dikkate alın. Güç kaynağı kabloları için alınması gereken önlemler. (Bağlantı noktası bağlantısı için yuvarlak sıkıştırılmalı tip bağlantı ucu kullanın. Kaçınılmaz nedenlerle kullanılmadığında, aşağıdaki yönergeleri uygulayın.)

Yuvarlak sıkıştırılmalı
tip bağlantı ucu



DİKKAT

Tek göbekli kabloyla bağlantı kablolarını bağlantı noktasına bağlarken, kıvrıdığınızdan emin olun. Çalışmayla ilgili sorunlar ısı veya yangına neden olabilir.



- Kabloyu çekin ve bağlantının kesilmediğinden emin olun. Ardından kabloyu kablo sonlandırıcıyla yerine sabitleyin.

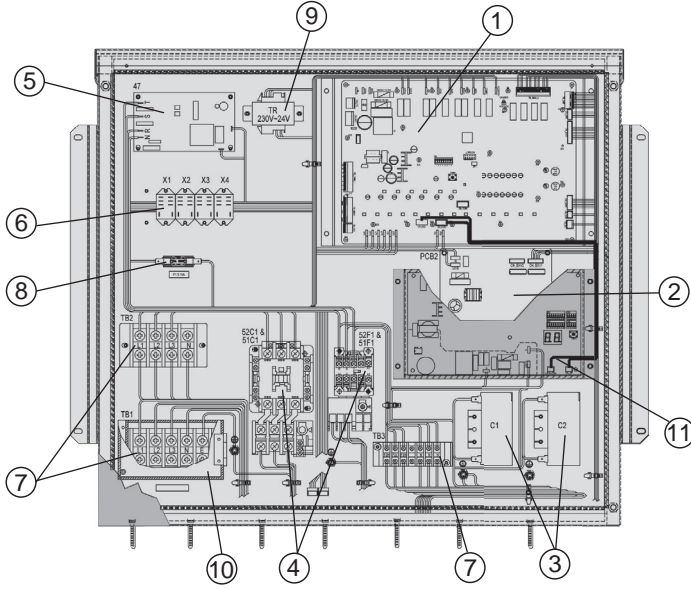


UYARI

- İletim kablosu, güç kablosunun en az 50mm uzağından geçirilmelidir.
- İletim kablosu kılıflı kablo tipinde olmalıdır.

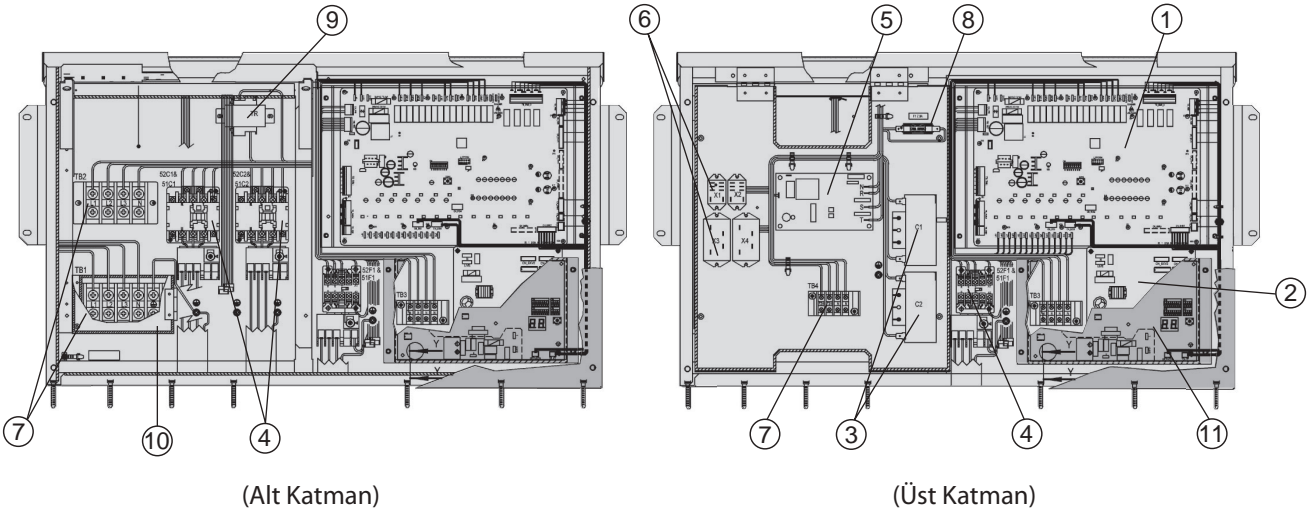
Denetleyici bağlantı noktaları ve bileşenlerin düzenlenmesi aşağıda gösterilmektedir:

A UATYQ250 Kontrol Modülü

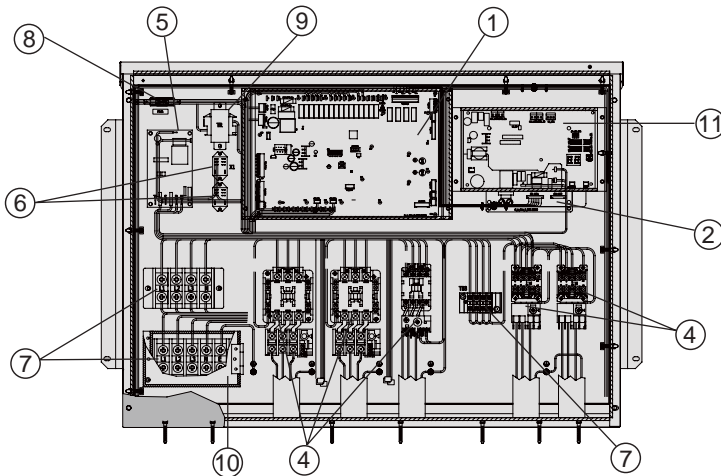


No.	Parça Tanımı
1	Denetleyici Ana Kartı
2	EXV Denetleyici Kartı
3	Kapasitör
4	Kontaktör
5	Faz Korumucusu
6	Röle
7	Bağlantı Noktası
8	Sigorta
9	Transformatör
10	Terminal Blok Kapağı
11	Ekonomizör Kontrol Paneli

B UATYQ350/450/550 Kontrol Modülü



C UATYQ600/700/900 Kontrol Modülü



UYARI

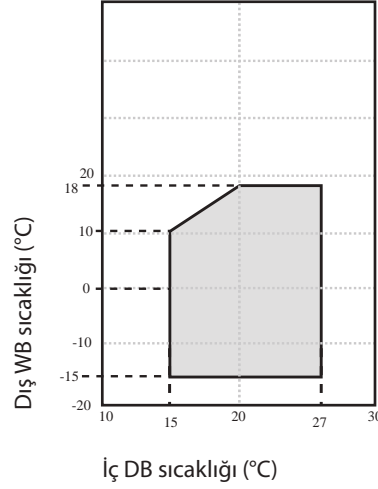
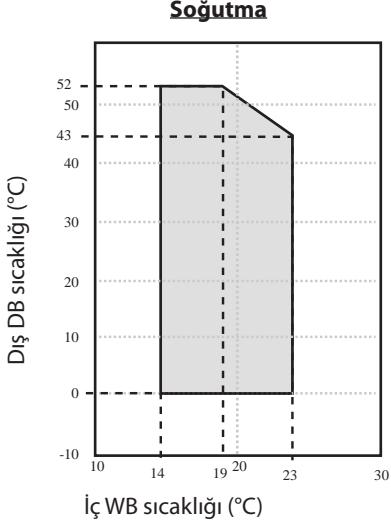
Ana besleme düğmesi kapalı olmadıkça izolatör kapatıldığında, terminal bloğu (TB1) Canlı kalacaktır.

Not

Öge 11 (Ekonomizör Kontrol Paneli) aksesuar olarak ayrıca verilen ekonomizör ile birlikte kullanılacaktır.

ÇALIŞMA ARALIĞI

Çalışma aralığının aşağıdaki şemada belirtilen izin verilen aralıkta olduğundan emin olun:



DİKKAT

Klimanın çalışma sıcaklığı ve nem aralığı dışında kullanılması önemli arızalara neden olabilir.

Not

Ekonomizörlü birim için "İSTEĞE BAĞLI AKSESUARLAR" bölümünde (E) (vi) kısmın altındaki İşletim Aralığı değerlerine bakınız.

DB = Kuru Hazneli Termometre
WB = Islak Hazneli Termometre

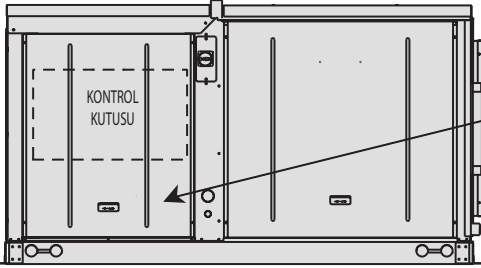
KONTROL ÇALIŞMASI KILAVUZU

Ünite denetleyici ana kartıyla donatılmıştır ve kablolu uzaktan kumanda denetleyicisi denetleyici ana kartına bağlıdır. Üniteye tüm ayarlar üretici tarafından önceden ayarlanmıştır. Gereksiz ayarları değiştirmeniz tavsiye edilmez.

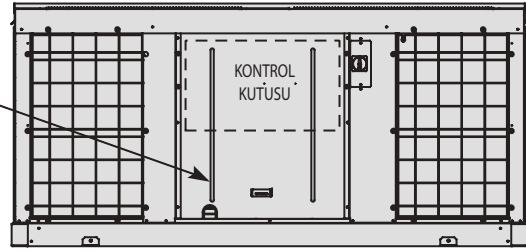
a) Uzaktan Kumandanın Yeri

Uzaktan kumanda servis panelinin arkasındaki metal destek üzerinde bulunur. Kurulum el kitabıyla birlikte paketlenmiştir.

UATYQ250



UATYQ350, 450, 550, 600, 700 & 900



b) LED Gösterge (Denetleyici Ana Kartı)

Üniteye güç verildiğinde LED yanıp söner.

c) LCD Gösterge (Uzaktan Kumanda)

Normal çalışma sırasında, LCD'de kompresör açık/kapalı durumu, mod, ayarlanan sıcaklık, vb. gösterilir. Çalıştırma kılavuzu ayrıntıları için Çalıştırma El Kitabına bakın. Çalıştırdıktan sonra LCD'de ana ekran gösterilir. Arıza olduğunda, arka ışığı yanıp sönen bir açılan iletici görünür ve uyarı sesi duyulur.

d) İsteğe Bağlı Yapılandırmalar

Denetleyici ana kartı termostat kontrolü ve BMS sistemi arabirimi olarak kullanılabilir.

(i) Termostat kontrolü (TB_THM-I)

- Bu kontrolü kullanmak için için, DIP Anahtarı Ayarını ayarlayın: SW1-ON (varsayılan OFF'dır).
- Termostat kontrol girdileri için aşağıdaki yöntemi uygulayın:

G	Y1	Y2	W1	W2	Mod	Çalışma
0	0	0	0	0	-	Ünite kapalı
1	0	0	0	0	Fanı	İç mekan fanı açık
X	1	0	X	X	Soğuk	1 aşamalı kompresör
X	1	1	X	X	Soğuk	2 aşamalı kompresör
X	0	X	1	0	Isı Pompası/Isıtıcı	1 aşamalı kompresör
X	0	X	1	1	Isı Pompası/Isıtıcı	2 aşamalı kompresör

Not: X = Dikkate almayın.



- Kurulum önerileri için aşağıdaki tabloya bakın:

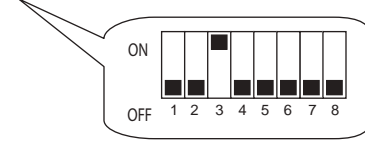
Giriş	Anma voltajı	Anma akımı	Kablo boyutu
G	24V AC	5mA	AWG18~22
Y1			
Y2			
W1			
W2			

Not

- Ana kontrol panosu termostat kontrolü olarak yapılandırıldığında, uzaktan kumanda sadece izleme amacıyla kullanılır.
 - Yapılandırma anahtarı ayarı değiştirildiğinde ünitenin yeniden başlatılması (kapatıp açma) gerekir.
- (ii) BMS kontrolü (TB_BMS-I)
- Bu kontrolü kullanmak için, DIP Anahtarı Ayarını ayarlayın: SW 3 – ON (varsayılan konum OFF) ve panel parametresi G8 - '1' dir (varsayılan değer '0').

Not

- G8 = Kontrol Türü
0 = Panel
1 = BMS
2 = DEC
- TB_BMS-I için, 3 adet kontrol girişi vardır: ünite açık/kapalı; çalışma modu (soğuk-0/hısıcak-1); ve ayar noktası (4~20mA).



TB_BMS-I girişi	Anma voltajı	Anma akımı	Kablo boyutu
Açık/Kapalı	24V AC	5mA	AWG18~22
Çalışma modu	24V AC	5mA	
Soğuk/Sıcak ayar noktası	-	4~20mA	

Not

- Ana kontrol paneli BMS kontrolü olarak yapılandırıldığında, uzaktan kumanda sadece izleme amacıyla kullanılır.
 - Yapılandırma anahtarı ayarı değiştirildiğinde ünitenin yeniden başlatılması (kapatıp açma) gerekir.
- (iii) Kesik kontak çıkışı (TB_BMS-O)
- TB_BMS-O için, 4 izleme çıkışı vardır: hata alarmı; çıkış1; çıkış2; ve buz çözme sinyali.
 - Kurulum önerileri için aşağıdaki tabloya bakın:

TB_BMS-O girişi	Anma voltajı	Anma akımı (A)	Kablo boyutu
Alarm çıkışı (AL)	230V AC/125V AC/30V DC	1/3/3	AWG18~22
Çıkış1 (O1)	230V AC/125V AC/30V DC	2/3/3	
Çıkış2 (O2)	230V AC/125V AC/30V DC	3/3/3	
Buz çözme sinyali (DFRT)	230V AC/125V AC/30V DC	4/3/3	

- Çıkış sinyalleri kontrol ana paneli konfigürasyonuna göre, termostat kontrolü yada BMS kontrolü olarak, değişiklik gösterecektir.

(1) Termostat kontrolü için, çıkışlar aşağıdaki tabloda gösterildiği gibi belirtilir.

Termostat girişi (SW1-ON)					HATA	BUZ ÇÖZME	Alarm çıkışı	Çıkış1	Çıkış2	Buz çözme sinyali
G	Y1	Y2	W1	W2			(AL)	(O1)	(O2)	(DFRT)
0	0	0	0	0	X	X	X	0	0	X
1	0	0	0	0	X	X	X	0	1	X
X	1	0	X	X	X	X	X	1	0	X
X	1	1	X	X	X	X	X	1	0	X
X	0	X	1	0	X	X	X	1	1	X
X	0	X	1	1	X	X	X	1	1	X
X	X	X	X	X	1	X	1	X	X	X
X	X	X	X	X	X	1	X	X	X	1

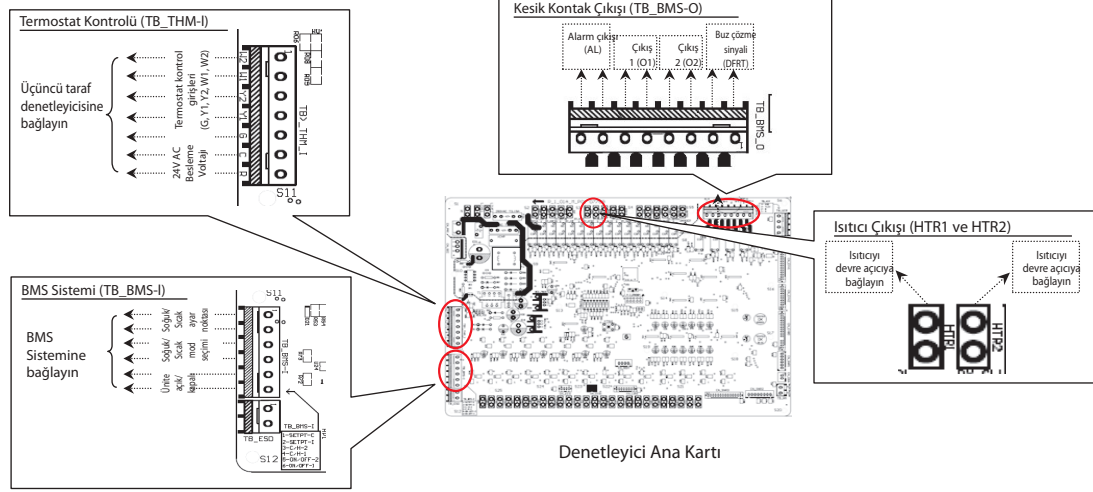
Not: X = Dikkate almayın.

(2) BMS kontrolü için, çıkışlar aşağıdaki tabloda gösterildiği gibi belirtilir.

BMS girişi (SW3-ON)			HATA	BUZ ÇÖZME	Alarm çıkışı	Çıkış1	Çıkış2	Buz çözme sinyali
AÇIK/KAPALI	ÇALIŞMA MODU	SICAK/SOĞUK AYAR NOKTASI						
0	0	X	X	X	X	0	0	X
0	1	X	X	X	X	0	1	X
1	0	X	X	X	X	1	0	X
1	1	X	X	X	X	1	1	X
X	X	X	1	X	1	X	X	X
X	X	X	X	1	X	X	X	1

Not: X = Dikkate almayın.

Aşağıdaki şekil termostat kontrolü ve BMS sistemi için kullanılan ana kontrol panelindeki bağlantı kutularının konumunu göstermektedir. Bunun yanı sıra, yardımcı elektrikli ısıtıcı çıkış pimleri de gösterilir.



(iv) Yardımcı Elektrikli Isıtıcı Çıkışı (HTR1 ve HTR2)

- Isıtıcı kontaktörüne enerji vermek için kullanılan ana kartta iki adet çıkış pimi (HTR1 ve HTR2) vardır. Güvenlik sorunlarını önlemek için kontaktör buna göre seçilmelidir.
- Isıtıcı yerel ve ulusal yasalara göre takılmalıdır. EN60335-2-40'a uygun olmalıdır.
- Isıtıcıda/ünitede tehlike veya hasarı önlemek için ısıtıcıya termal sigortalar takılmalıdır. Denetleyici ana kart veya üşeyicide arıza olduğunda bu özellikle önemlidir.
- Isıtıcı üniteye zarar verme riskinin olmadığı güvenli bir yerde olmalıdır.
- Isıtıcıya takılan ünite için yanmaz kanal kullanın.
- Elektrikli ısıtıcı için farklı güç kaynağı kullanın ve her ısıtıcı için devre kesici takın.
- Ünite en fazla sıcaklık 60°C'yi aşmamalıdır. Sıcaklığın bu değeri aşmadığından emin olmak için kurulum veya hizmete alma sırasında sıcaklık ölçümü yapılmalıdır.
- Buna göre uygun güvenlik aygıtı veya termal koruyucu seçin.
- Isıtıcı kesinlikle ünite içine takılmamalıdır. Isıtıcı için önerilen yer ısıtıcının ünite içindeki sıcaklığın 60°C'yi aşmamasını sağlayacak kadar yeterli mesafe olduğu besleme kanalının içidir.

(v) Ekonomizör denetimi

- Ana kontrol panelinde ekonomizör işlevini etkinleştirmeden önce, ekonomizör kitinin tavan ünitesi ile birleştirildiğinden emin olun. Aksi takdirde arıza meydana gelecektir.
- Ekonomizör işlevini etkinleştirmek için, DIP Anahtarı Ayarını ayarlayın: Denetleyici ana kartında SW4 - ON (varsayılan OFF) ve G6 panel parametresi '1' (varsayılan '0').

Not

G6 = Ekonomizör denetimi
0 = devredışı
1 = etkin.



- Ekonomizör denetleyicisi kartında, farklı gereksinimlere göre esnek seçim sağlayan 4 DIP anahtarı ve 3 zönt bağlantı teli vardır:
 - DIP Anahtarı 1: Isıtma modunda minimum temiz hava girişi ayarı, farklı pimler seçildiğinde farklı açıklık ayarı sağlar. SW1: %5, SW2: %10, SW3: %15, SW4: %20, SW5: %25, SW6/7/8: işlevsiz, Varsayılan: %0 (seçim yok, tümü OFF).
 - DIP Anahtarı 2: Soğutma modunda minimum temiz hava girişi ayarı, farklı pimler seçildiğinde farklı açıklık ayarı sağlar. SW1: %0, SW2: %5, SW3: %15, SW4: %20, SW5: %25, SW6/7/8: işlevsiz, Varsayılan: %10 (seçim yok, tümü OFF).
 - DIP Anahtarı 3: CO₂ PPM seviyesi eşik değeri seçimi, farklı pimler seçildiğinde farklı ayar değeri sağlar. SW1: %25, SW2: %50, SW3: %75, SW4: %100, Varsayılan: %0 (seçim yok, tümü OFF).
 - DIP Anahtarı 4: Çalışma tipi, aşağıdaki seçimi içerir:-
 - SW1: OFF = Farklı sıcaklıkta çalışma (varsayılan), ON = Şu anda işlevi yok.
 - SW2: OFF = Ekonomizör modu (varsayılan), ON = Temiz hava modu.
 - SW3: OFF = Aşırı soğutma koruması etkin (varsayılan), ON = Aşırı soğutma koruması etkin değil.

Şönt bağlama teli 1, 2 ve 3: Fan modunda minimum temiz hava girişi, farklı pimler seçildiğinde farklı açıklık ayarı sağlar. Şönt bağlama teli 1 = JP1, şönt bağlama teli 2 = JP2 ve şönt bağlama teli 3 = JP3 olarak adlandırılır; farklı temiz hava girişi seçimi için aşağıdaki tabloya bakın:-

Temiz hava girişi (%)	JP1	JP2	JP3
0 (varsayılan)	OFF	OFF	OFF
10	OFF	OFF	ON
20	OFF	ON	OFF
30	OFF	ON	ON
40	ON	OFF	OFF
50	ON	OFF	ON
70	ON	ON	OFF
85	ON	ON	ON

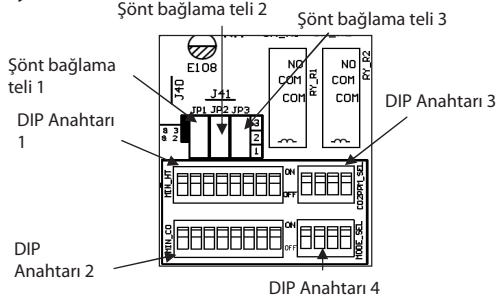
Açıklayıcı Bilgi: OFF = Pim 2 ve pim 3 kısa
ON = Pim 1 ve pim 2 kısa



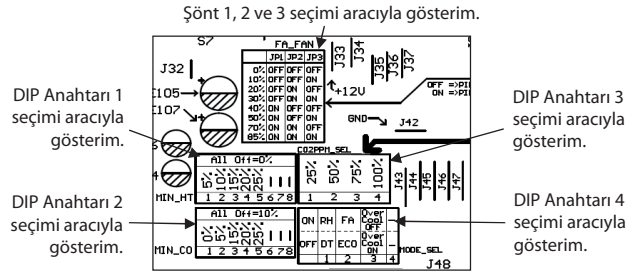
DİKKAT

DIP Anahtarı 1, 2 ve 3 yalnızca 1 pim seçimine izin verir. Birden fazla pim seçimi hataya neden olur ve çalışma varsayılan ayara geri döner. DIP Anahtarı 4 birden fazla pim seçimine izin verir.

Ekonomizör denetleyicisi kartındaki DIP anahtarlarının ve şönt bağlama tellerinin yeri:



Ekonomizör denetleyicisi kartındaki gösterim:

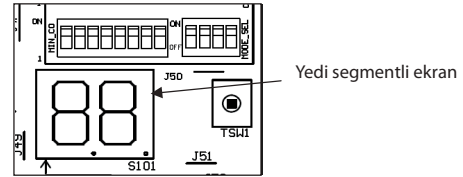


- Ekonomizör denetleyicisi kartında yeşil ve kırmızı olmak üzere iki LED vardır. Ekonomizör denetleyicisi kartı çalıştığında yeşil LED yanıp söner. Hata oluştuğunda kırmızı LED yanıp söner. Hata kodları ve anlamları için aşağıdaki tabloya bakın:-

Hata Kodu	Arıza
F0	Temiz hava aktüatörü arızası/aksaklığı
F1	Geridönüş havası aktüatörü arızası/ aksaklığı
F2	İletişim hatası (veri kaybı)
F3	CO ₂ sensörü kısa
F4	CO ₂ sensörü açık
F5	Temiz hava RH sensörü kısa
F6	Temiz hava RH sensörü açık
F7	Geridönüş havası RH sensörü kısa
F8	Geridönüş havası RH sensörü açık
F9	Aktüatör korumasını etkinleştirme
FA	DIP Anahtarı 1, 2 veya 3'te birden fazla pim seçimi

Not

Hata kodları ekonomizör denetleyicisi kartındaki yedi segmentli ekranda gösterilir.



Not

Hata ortaya çıkar ve arızalar devam ederse, lütfen sorunu gidermek için yetkili yerel satıcınızı/servis personelinizi arayın. Ancak, ekonomizör denetleyicisi kartında ortaya çıkan tüm hatalar çatı ünitesinin normal çalışmasını etkilemez.

SERVİS VE BAKIM

Bu not sadece Türkiye için geçerlidir: Ürünlerimizin kullanım ömrü 10 yıldır

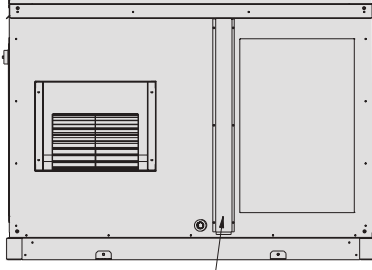
FİLTREYE SERVİS VERİLMESİ

- Elektrikli süpürgeyle veya nötr temizlik deterjanıyla ılık suda yıkayarak filtreye yapışan tozları çıkarın (40°C'ın altında).
- Filtreyi iyice durulayın ve üniteye takmadan önce kurutun.
- Filtreyi temizlemek için benzin, uçucu maddeler veya kimyasallar kullanmayın.
- Filtreyi en az 2 haftada bir defa temizleyin. Ya da, gerekirse daha sık.

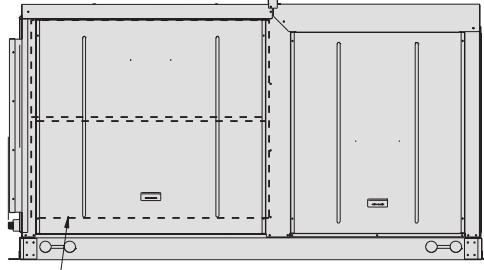
Filtre Konumu

Filtreler iç mekan ısı eşanjörünün önüne monte edilir.

Şemada gösterilen ünite UATYQ250'dir. Diğer modeller aynı yöntemi takip eder.

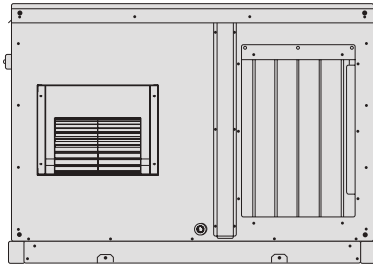


Filtreye servis vermek için filtre kapağını çıkarın.



Filtre ile ilgili işlemler için yan paneli çıkarın.

Ekonomizör kitiyle birlikte takılan üniteye, yağmur örtüsünün alt tarafına takılı bir adet ek filtre vardır. Şemada gösterilen ünite UATYQ250 + ekonomizör kitidir (sahada monteli). Diğer modeller aynı yöntemi takip eder.



Yağmur örtüsü (sahada monteli)

Filtre hizmeti için yağmur örtüsündeki filtre kapağını çıkarın.



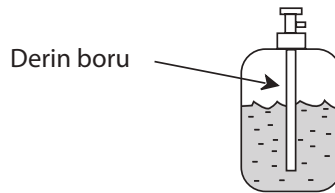
DİKKAT

Su sızıntısını önlemek için hizmetten sonra filtrenin düzgün yerleştirildiğinden ve filtre kapağının vidalarla sıkıca sabitlendiğinden emin olun. Gerekirse, filtre kapağı ve yağmur örtüsünde su sızdırmaz kaplama için hava geçirmez sızdırmazlık uygulanmalıdır.

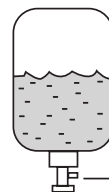
VAKUMLAMA VE DOLDURMA

Çatı üstü paketi üniteleri yeterli soğutucuyla fabrikada önceden doldurulmuştur. Ancak, servis ve bakım işleri sırasında dolun kurtarma gerekebilir. Bu nedenle, optimum ve sorunsuz sistem çalışması için bazı önlemleri alınmalıdır:

- Sistemde sıkıştırılmaz gaz ve nem olmadığından emin olmak için sistem tamamen vakumlanmalıdır.
- Özellikle R410A vakum pompası kullanın. Farklı soğutucular için bazı vakum pompalarının kullanılması vakum pompası veya üniteye hasar verebilir.
- Soğutucu kesinlikle doğrudan çevreye salınmamalıdır.
- R410A doldururken, silindir veya kutudan yalnızca sıvı çekildiğinden emin olun.



Derin boru



Derin boru yoksa
silindiri ters çevirin

Sıvı çekme

Normal olarak, R410A silindiri veya kutusunda sıvı çekme için derin boru bulunur. Ancak, derin boru yoksa, sıvıyı alttaki valften çekmek için silindiri veya kutuyu ters çevirin.



DİKKAT

- R410A sıvı olarak doldurulmalıdır. Genellikle R410A silindirde sıvı çekem için derin boru bulunur. Derin boru yoksa, R410A sıvısını valften çekmek için silindir ters çevrilmelidir.
- Ünite performansını azaltacağından sızıntı servisinde doldurma yapmayın. Üniteyi tamamen vakumlayın ve ardından üniteyi teknik özelliklerde önerilen miktara göre yeni R410A ile doldurun.

SORUN GİDERMELİ

Yedek parçalarla ilgili sorularınız için lütfen yetkili bayi ile görüşün. Klimada bir arıza olduğu farkedilirse, bazı sorun giderme ipuçları için aşağıdaki durumları ve nedenleri kontrol edin.

Sorun	Nedenler	Yapılacak İşlem
Ünite çalışmıyor.	<ul style="list-style-type: none">● Elektrik kesilmesi.● Sigorta attı veya devre kesici düştü.● Besleme kaynağı kablosunun fazı yanlış.	<ul style="list-style-type: none">▶ ● Elektrik tekrar [ON/OFF] düğmesine basın.▶ ● Sigortayı değiştirin veya devre kesiciyi sıfırlayın.▶ ● Kablo fazını değiştirin.
Ünite çalıştırdıktan sonra kompresör 3 dakika içinde çalışmıyor.	<ul style="list-style-type: none">● Sık sık başlatmalara karşı koruyun.	<ul style="list-style-type: none">▶ ● Kompresörün başlatılması için 3 dakika bekleyin.
Hava akışı az.	<ul style="list-style-type: none">● Filtre toz ve kirle dolu.● Ünitenin hava girişi veya çıkışında bazı engeller var.	<ul style="list-style-type: none">▶ ● Filtreyi temizleyin.▶ ● Engelleri kaldırın.
Kompresör sürekli çalışıyor.	<ul style="list-style-type: none">● Kirli hava filtresi.● Sıcaklık ayarı çok düşük (soğutma için).● Sıcaklık ayarı çok yüksek (ısıtma için).	<ul style="list-style-type: none">▶ ● Hava filtresini temizleyin.▶ ● Sıcaklığı sıfırlayın.
Soğutma döngüsü sırasında soğuk hava vermiyor veya ısıtma döngüsü sırasında sıcak hava vermiyor.	<ul style="list-style-type: none">● Sıcaklık ayarı çok yüksek (soğutma için).● Sıcaklık ayarı çok düşük (ısıtma için).	<ul style="list-style-type: none">▶ ● Sıcaklığı daha düşük ayarlayın.▶ ● Sıcaklığı daha yüksek ayarlayın.
Isıtma döngüsünde, hava vermiyor (UATYQ250). Ya da, verilen hava yeterince sıcak değil (UATYQ350/450/550/600/700/900).	<ul style="list-style-type: none">● Ünite buz çözme döngüsünde.	<ul style="list-style-type: none">▶ ● Bir süre bekleyin. (Buz çözmeden sonra devam edilir.)

Arıza devam ederse, lütfen yerel yetkili satıcınızı/servis personelinizi arayın.

İSTEĞE BAĞLI AKSESUARLAR

EKONOMİZÖR KİTİ

A Giriş

Ekonomizör kiti fabrika tarafından tedarik edilen bir aksesuar olup alan kurulumu gerektirmektedir. Ekonomizör kiti R410A çatı modelleri ile uyumludur. Biriminiz ile bu kitin kullanılabilir olup olmadığından emin değilseniz lütfen ilgili servis birimi ile görüşün. Ekonomizör kit dış mekan hava sıcaklığı uygun ise serbest soğutma için dış mekan havasının geri dönüş havası ile karışmasını sağlar. Ekonomizör soğutması tek başına yada mekanik soğutma ile birlikte kullanılabilir. Bunun yanı sıra ekonomizör kit havalandırma sağlamak ve iç mekan hava kalitesini artırmak için de kullanılabilir. Ekonomizör kiti üzerinde doğru seçimlerin yapılması son derece önemlidir, kit üzerinde seçimlerle ilgili olarak aşağıda verilen tabloya bakınız:

No.	Çatı birimi	Çatı birimi ile uyumlu ekonomizör kiti
1	UATYQ250	ECONO250
2	UATYQ350	ECONO350
3	UATYQ450	ECONO450
4	UATYQ550	ECONO550
5	UATYQ600	ECONO600
6	UATYQ700	ECONO700
7	UATYQ900	ECONO900

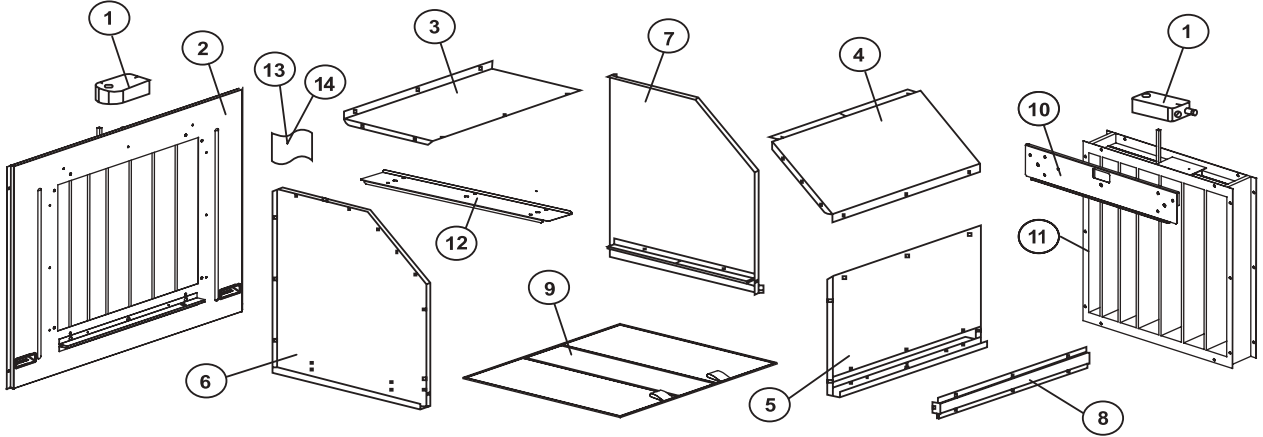
Not

Yanlış seçimler kitin çatı birimi ile montajını imkansız kılabilir.

B Kurulum öncesi kontrol

(i) Ekonomizör Kitinin İçindekiler

Kurulum öncesinde paketi açılan ekonomizör kitinin içeriğinin kontrol edilmesi önerilir. Kit içerisinde aşağıdaki elemanlar bulunmaktadır:

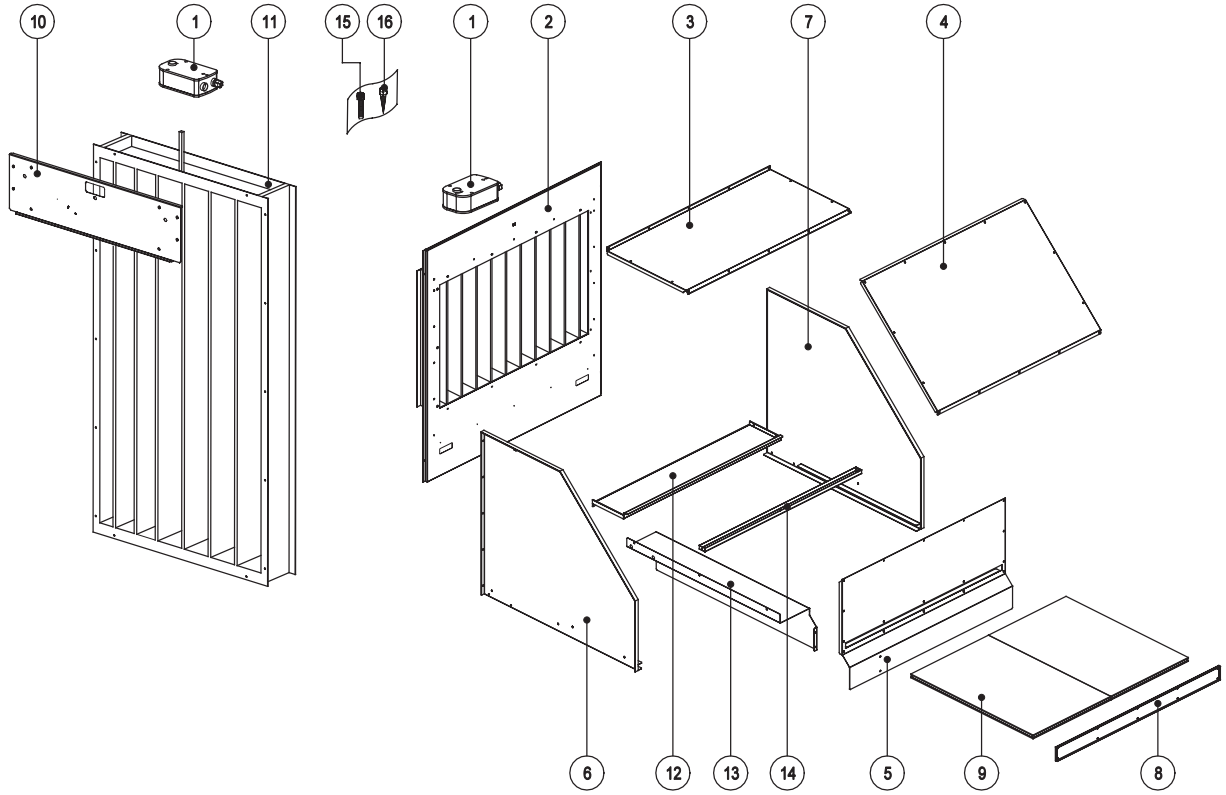


No.	Parça Tanımı	Miktar (set)
1	Belimo aktüatör, LF24-SR	2
2	Dış mekan hava damperli yan panel	1
3	Örtü, üst panel	1
4	Örtü, orta panel	1
5	Örtü, alt panel	1
6	Örtü, yan sol panel	1
7	Örtü, yan sağ panel	1

No.	Parça Tanımı	Miktar (set)
8	Filtre kapağı	1
9	Filtre	1
10	Destek rafı, geri dönüş hava damperi	1
11	Geri dönüş hava damperi	1
12	Destek rafı, atma	1
13	Vida, M5x16	55
14	Vida, M4x12	4

* Destek parçası, devrilme bağlantısı (öge 12) ECON0700'de bulunmamaktadır.

(ii) Ekonomizör Kitinin İçindekiler UATY900



No.	Parça Tanımı	Miktar (set)
1	Belimo aktüatör, LF24-SR	2
2	Dış mekan hava damperli yan panel	1
3	Örtü, üst panel	1
4	Örtü, orta panel	1
5	Örtü, ön panel	1
6	Örtü, yan sol panel	1
7	Örtü, yan sağ panel	1
8	Filtre kapağı	1

No.	Parça Tanımı	Miktar (set)
9	Filtre	1
10	Destek rafı, geri dönüş hava damperi	1
11	Geri dönüş hava damperi	1
12	Örtü, alt panel	1
13	Flanş, Hava Örtü 1	1
14	Destek Filtre	1
15	Vida, M5x16	97
16	Vida, M4x12	4

Not

Aksesuar hasarlı yada eksik ise lütfen ilgili servis bölümü ile iletişime geçiniz.

(iii) Ünite Boşluğu

Hava akışı, hizmet ve tesisat için birim üzerine kitin monte edilmesinden sonra hava akışı amacıyla yeterli boşluk bırakın. Bu kısımda hava akışını engelleyecek hiçbir şey bulunmamalıdır. Bu el kitabının "BİRİMİN KURULUMU" bölümü altındaki (F) maddesine bakınız. Belirtilenlerin sağlanmaması düşük hava akışı yada birimin bozulmasına yol açabilir.

(iv) **Montaj Yeri**

Bu el kitabının "BİRİMİN KURULUMU" bölümü altındaki (A) maddesinde verilen tavsiyeleri dikkate alın. Ayrıca kit etrafında kurulum koşullarını göz önünde bulundurmanızda fayda vardır, zira:

- Yağmur örtüsü ile zemin arasındaki mesafede hiçbir zaman için kar yada su birikimi olmamalıdır.
- Temiz hava girişi hakim rüzgar yönüne dönük olmamalıdır.
- Dış mekan havası temiz ve kokusuz olmalı, yerel standartlarca belirlenen kirletici konsantrasyonu sınırlarına uymalı, yerel standartlarca belirlenen zehir içeriği eşik limit değerini geçmemelidir.

(v) **Damper İşlevi**

2 ve 11 numaralı kalemleri damper şaftını + ve - 90° çevirerek ekonomizör kitine ait iki damperi kontrol ediniz (tamamen açıktan tamamen kapalıya). Damper dönüşü pürüzsüz ve kolay olmalıdır. Her türlü hasar yada anormalliği ilgili servis birimine bildiriniz.

C Kurulum için gerekli olan Aletler ve Malzemeler

- | | |
|----------------------------------------------------|--------------------------------------------|
| (i) Çeşitli soketleri bulunan elektrikli tornavida | (vii) Ayarlanabilir somun anahtarı (küçük) |
| (ii) Çeşitli soketleri bulunan elektrikli matkap | (viii) Kol demiri ve çekiç |
| (iii) Küçük düz tornavida | (ix) Hava geçirmez macun (silicon vb) |
| (iv) Kesici | (x) Conta |
| (v) Philip tipi tornavida | (xi) Güvenlik kilidi |
| (vi) Ölçüm bandı yada cetveli | (xii) Kablo bağı |

D Kurulum Ana hatları

(i) **Yan geri dönüş (yatay) uygulaması**

ADIM 1

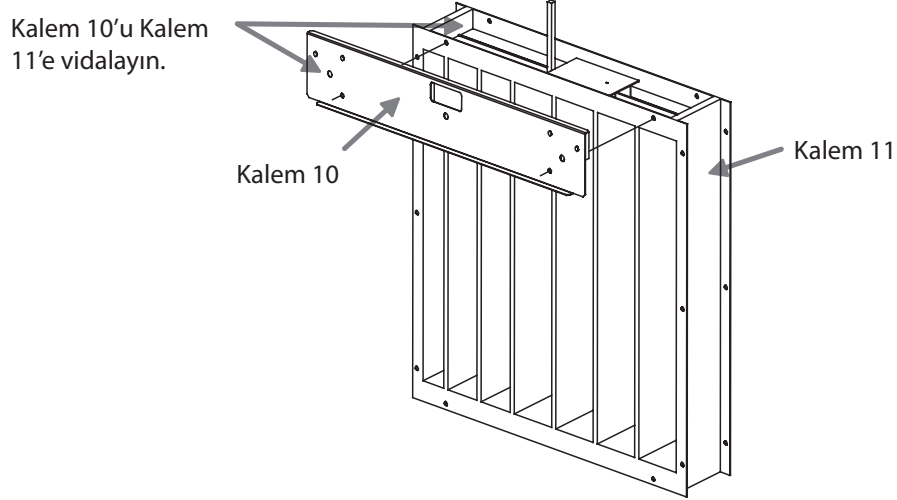
- Birimin güç beslemesini kesin ve ekonomizör kitinin kurulum, görevlendirme yada hizmeti öncesi güvenlik kilidini takın. Yukarıda belirtilen tüm aletleri hazırlayın.

ADIM 2

- Kol demiri ve çekiç yardımı ile ekonomizör kitinin ahşap kasasını açın. Daha sonra, kesici yardımı ile parça ve mandalların paketlerini açın. Yukarıda belirtilen şekilde kurulum öncesi kontrolü gerçekleştirin.

ADIM 3

- Destek rafını, geri dönüş havası damperini (kalem 10) geri dönüş havası damperine (kalem 11) kit içerisinde verilen M5x16 (kalem 13) tipi vida ile bağlayın.



ADIM 4

- 1 adet Belimo aktüatörü, "RA" etiketli LF24-SR (öge 1) geri dönüş havası damperine (öge 11) monte edin. Aktüatörün deliğini damperin şaftına göre hizalayın ve takın.



DİKKAT 1

Geri dönüş hava damperi için varsayılan ayarlar (öge 11) tamamen açık durumda olacaktır. Aktüatörü monte etmeden önce damperin "tamamen açık" konumunda olduğundan emin olun. Aksi halde ünitenin normal çalışması sırasında arıza meydana gelebilir.

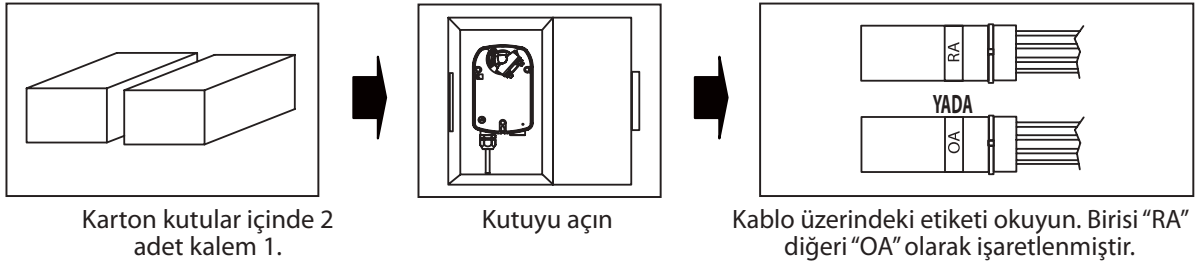


DİKKAT 2

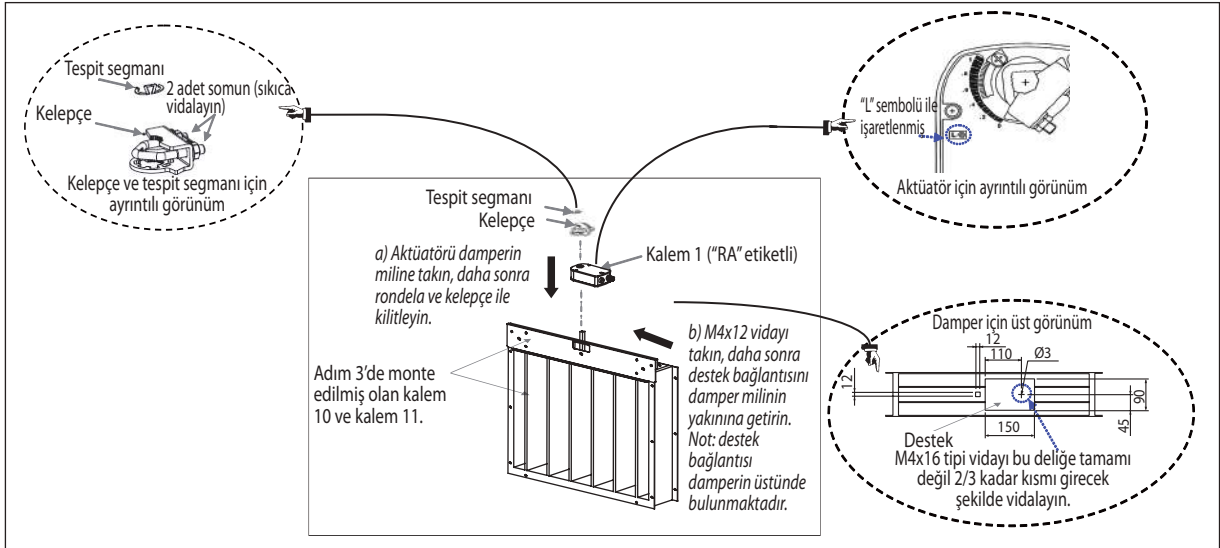
Aktüatörün yukarı /dışarı bakan yüzeyi aktüatör modülasyon rotasyonunun saat yönünde olmasını sağlamak üzere "L" sembolü ile işaretlenecektir. Aksi halde ekonomizör işlevli ünitenin normal çalışması sırasında arıza meydana gelebilir.

Not

Ekonomizör kiti içinde karton kutular içinde gelen 2 adet Belimo aktüatör, LF24-SR (kalem 1) bulunmaktadır. Kutuları açın ve kablo üzerindeki etiketi okuyun. Adım 4 dahilinde kullanılan aktüatör "RA" ile etiketlenmiş olmalıdır.



- Daha sonra damperin destek rafı üzerine 1 adet M4x12 (kalem 14) tipi vidayı uygulayın. Vidayı tamamen sıkmak yerine 2/3 kadar kısmını sokun. Destek rafını damper şaftına yaklaştırarak aktüatörü destek rafına monte edin. M4x12 tipi vidanın işlevi modülasyon sırasında aktüatörün sabit durmasını sağlamaktır.
- Daha sonra kelepçeyi şafta takarak aktüatörü tespit segmanı ile kilitleyin. Kelepçe somunlarını uygun sıkıştırıcı ile sıkarak ayarlayın. Kelepçe ve tespit segmanı aktüatör ile standart parçalar olarak birlikte gelecektir, bu parçaları aktüatör kutusu içinde bulabilirsiniz.

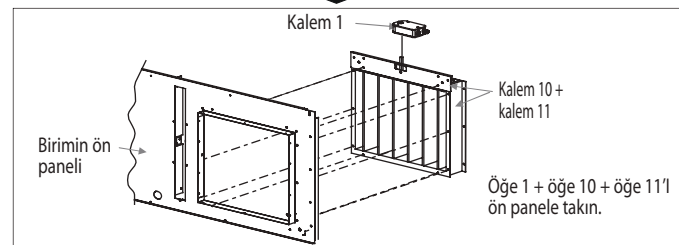
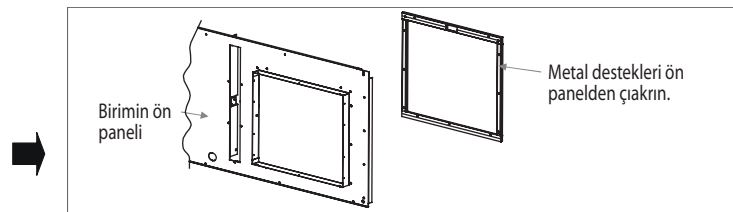
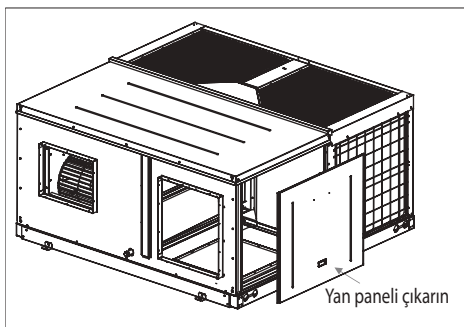


ADIM 5

- Yan paneli sökün. Daha sonra ön panel üzerindeki 4 adet metal rafı çıkarın. Aynı vida deliklerini kullanarak adım 3 ve adım 4 dahilinde monte edilmiş olan geri dönüş hava damperi (kalem 11) + destek rafı, geri dönüş hava damperi (kalem 10) + Belimo aktüatörü, LF24-SR (kalem 1) birimin ön paneline kurun. Sabitleme amacıyla M5x16 (kalem 13) tipi vidayı kullanın.

⚠ DİKKAT

Birimin içerisinde bulunan geri dönüş hava sensörünü (geri dönüş hava girişi üzerinde) birimin dış bölümüne doğru uzatın. Bunu sensörü destek rafı üzerindeki küçük delikler içerisinden geçirerek yapabilirsiniz (kalem 10). Sensör daha sonra kablo bağları (alan beslemesi) kullanılarak geri dönüş hava kanalı içine yerleştirilir. Bunun yapılmaması ünitenin performansını etkileyebilir ve kullanıcılara ısı yönünde rahatsızlık verebilir.



ADIM 6

- "OA" etiketli 1 adet Belimo aktüatörü LF24-SR (öğe 1)'i dış hava damperli (öğe 2) yan panele monte edin. Aktüatörün deliğini damperin şaftına göre hizalayın ve takın.



DİKKAT 1

Dış hava damperi için varsayılan ayarlar (kalem 2) tamamen kapalı durumda olacaktır. Aktüatörü monte etmeden evvel damperin "tamamen kapalı" konumda olduğundan emin olun. Aksi halde birimin normal işletimi esnasında hatalar oluşabilir.

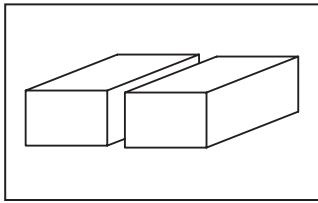


DİKKAT 2

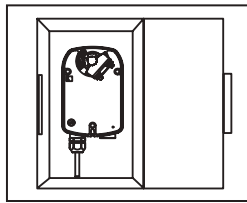
Aktüatörün yukarı/dışarı bakan yüzeyi aktüatör modülasyon rotasyonunun saat yönünün tersinde olmasını sağlamak üzere "R" sembolü ile işaretlenecektir. Aksi halde ekonomizör işlevli birimin normal işletimi esnasında hatalar oluşabilir.

Not

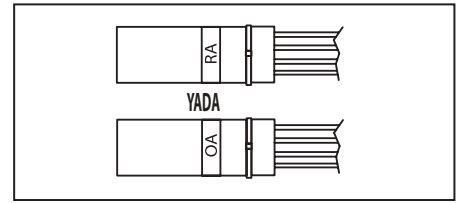
Ekonomizör kiti içinde karton kutular içinde gelen 2 adet Belimo aktüatör, LF24-SR (kalem 1) bulunmaktadır. Kutuları açın ve kablo üzerindeki etiketi okuyun. Adım 6 dahilinde kullanılan aktüatör "OA" ile etiketlenmiştir.



Karton kutular içinde 2 adet kalem 1.

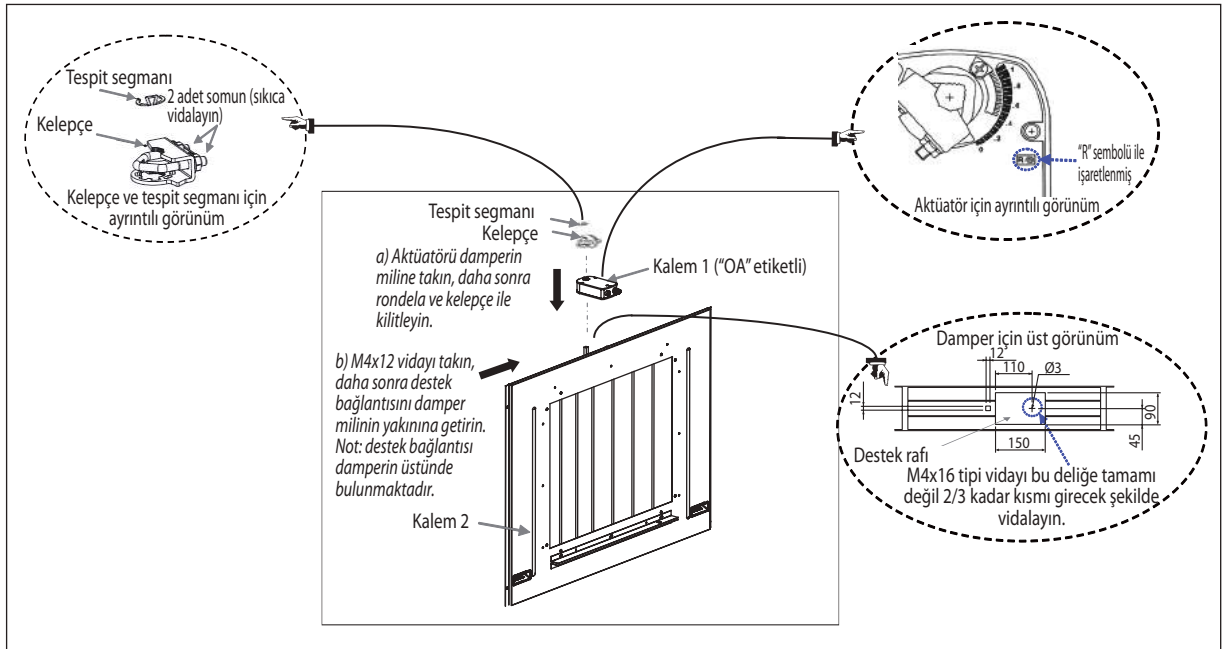


Kutuyu açın



Kablo üzerindeki etiketi okuyun. Birisi "RA" diğeri "OA" olarak işaretlenmiştir.

- Daha sonra damperin destek rafı üzerine 1 adet M4x12 (kalem 14) tipi vidayı uygulayın. Vidayı tamamen sıkarak yerine 2/3 kadar kısmını sokun. Destek rafını damper şaftına yaklaştırarak aktüatörü destek rafına monte edin. M4x12 tipi vidanın işlevi modülasyon sırasında aktüatörün sabit durmasını sağlamaktır.
- Daha sonra kelepçeyi şafta takarak aktüatörü tespit segmanı ile kilitleyin. Kelepçe somunlarını uygun sıkıştırıcı ile sıkarak ayarlayın. Kelepçe ve tespit segmanı aktüatör ile standart parçalar olarak birlikte gelecektir, bu parçaları aktüatör kutusu içinde bulabilirsiniz.

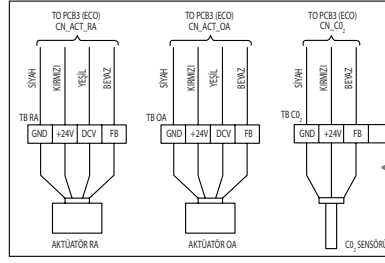


ADIM 7

- Ön panel üzerindeki montaj damperinde bulunan "RA" ile işaretli Belimo aktüatörünü, LF24-SR (kalem 1) kutu içerisinde "RA" ile işaretli terminal bloğuna bağlayın.
- Aktüatör üzerinde farklı renklerde dört adet kablo bulunmaktadır (siyah, kırmızı, yeşil ve beyaz). Kabloları şu şekilde bağlayın:

- Siyah renkli kablo - "GND" olarak işaretlenmiş terminal bloğunun ilk kutbuna bağlayın.
- Kırmızı renkli kablo - "+24V" olarak işaretlenmiş terminal bloğunun ikinci kutbuna bağlayın.
- Yeşil renkli kablo - "DCV" olarak işaretlenmiş terminal bloğunun üçüncü kutbuna bağlayın.
- Beyaz renkli kablo - "FB" olarak işaretlenmiş terminal bloğunun dördüncü kutbuna bağlayın.

(Bağlantı kutusu ön kapağında yer alan kablolama şemasına bakabilirsiniz)



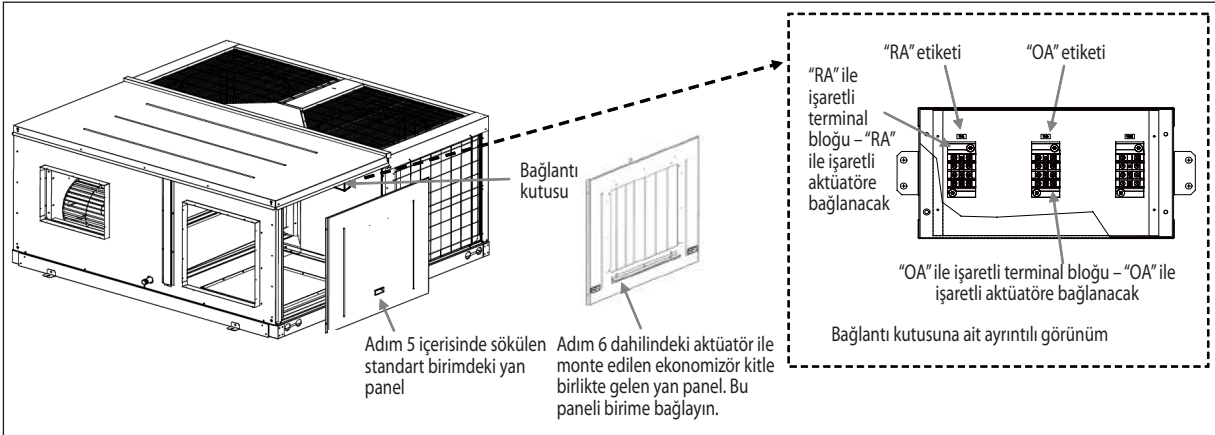
Bağlantı kutusu ön kapağında bulunan kablo diyagram çıkartması



DİKKAT

Hatalı kablo bağlantısı aktüatörde veya ekonomizörde ya da her ikisinde arızaya neden olabilir. Bağlantı kutusu altında bulunan kablo bağları ile kabloları bağlayın.

- Ön panel üzerindeki montaj damperinde bulunan "OA" ile işaretli Belimo aktüatörünü, LF24-SR (kalem 1) kutu içerisinde "OA" ile işaretli terminal bloğuna bağlayın. "RA" aktüatörü ile "RA" bloğu arasındaki kablo bağlantısı için aynı yöntemi izleyin. Daha sonra yan paneli birime bağlayın. Yan paneli birime bağlamadan evvel kablo bağlarını (alan beslemesi) kullanarak aktüatör kablolarını ayarlamazın gerekebilir.

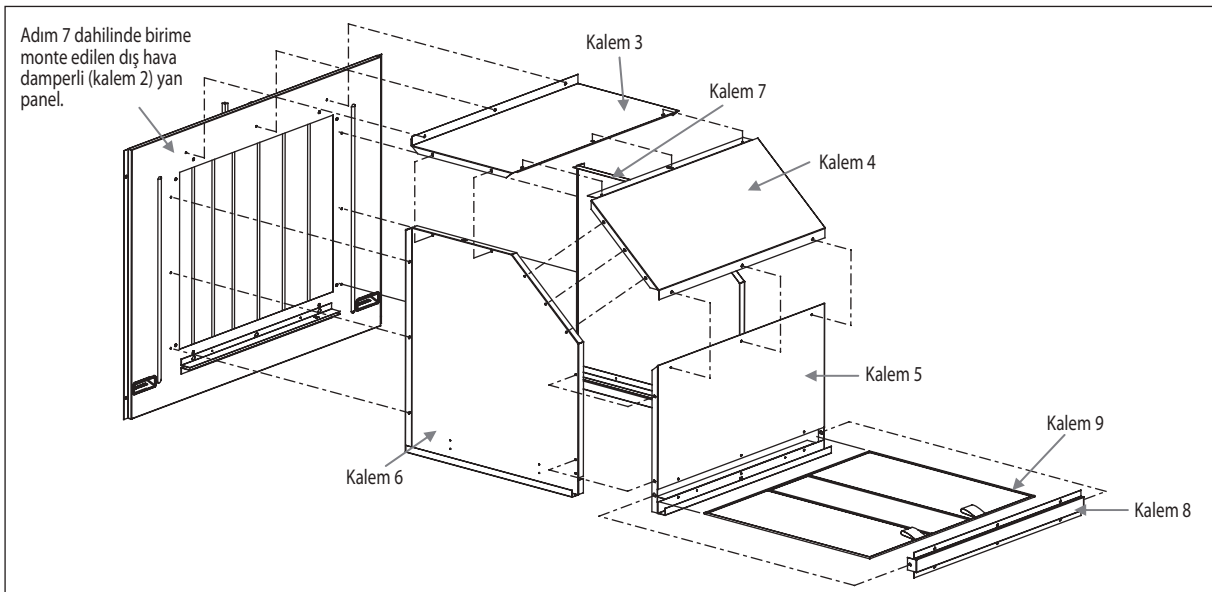


ADIM 8

- Yağmur örtüsünü kurmak için metal parçaları yan panele takın. Bundan önce contayı (alan beslemesi) yalıtım amacıyla yan panel üzerine yerleştirin.
- Bunu yaptıktan sonra, yağmurluğu yapmak için aşağıdaki montaj sırasını takip edin:

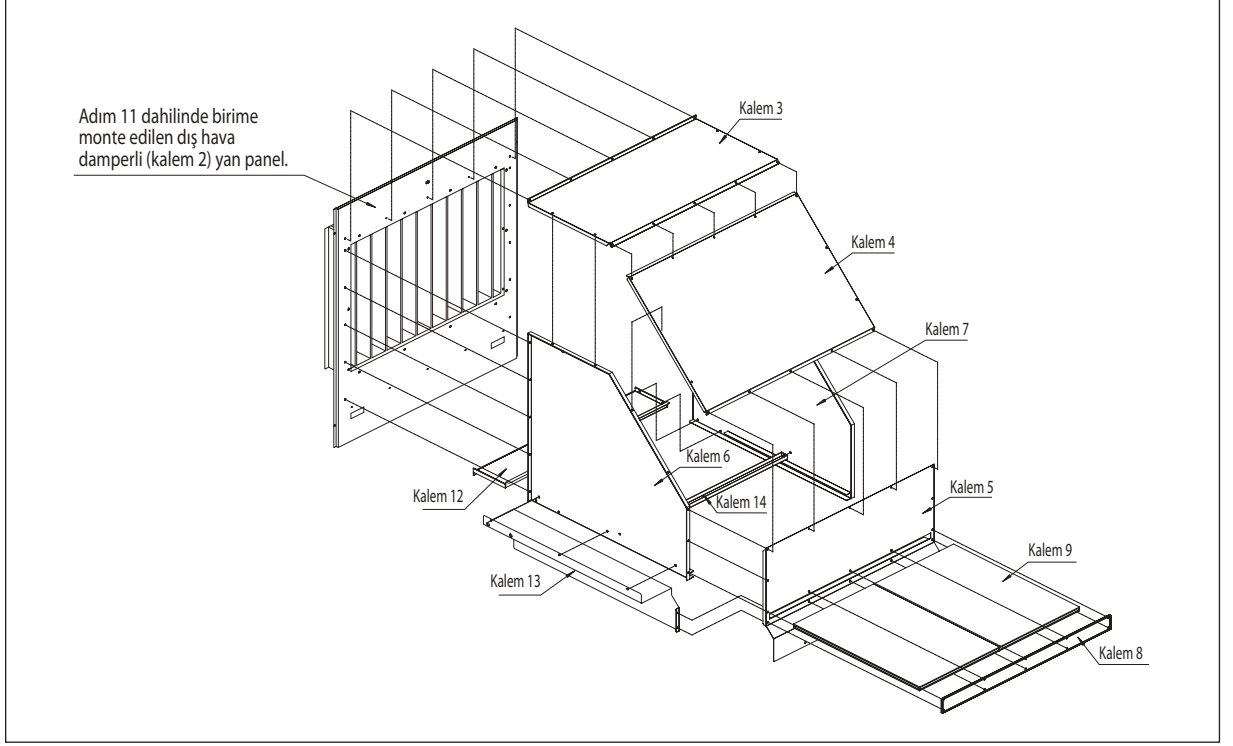
Modeller : UATYQ 250, 350, 450, 550, 600, 700

Conta
Kalem 2 -----> Kalem 6 -----> Kalem 7 -----> Kalem 3 -----> Kalem 4 -----> Kalem 5 -----> Kalem 9 -----> Kalem 8 -----> Dolgu macunu



Modeller : UATYQ 900

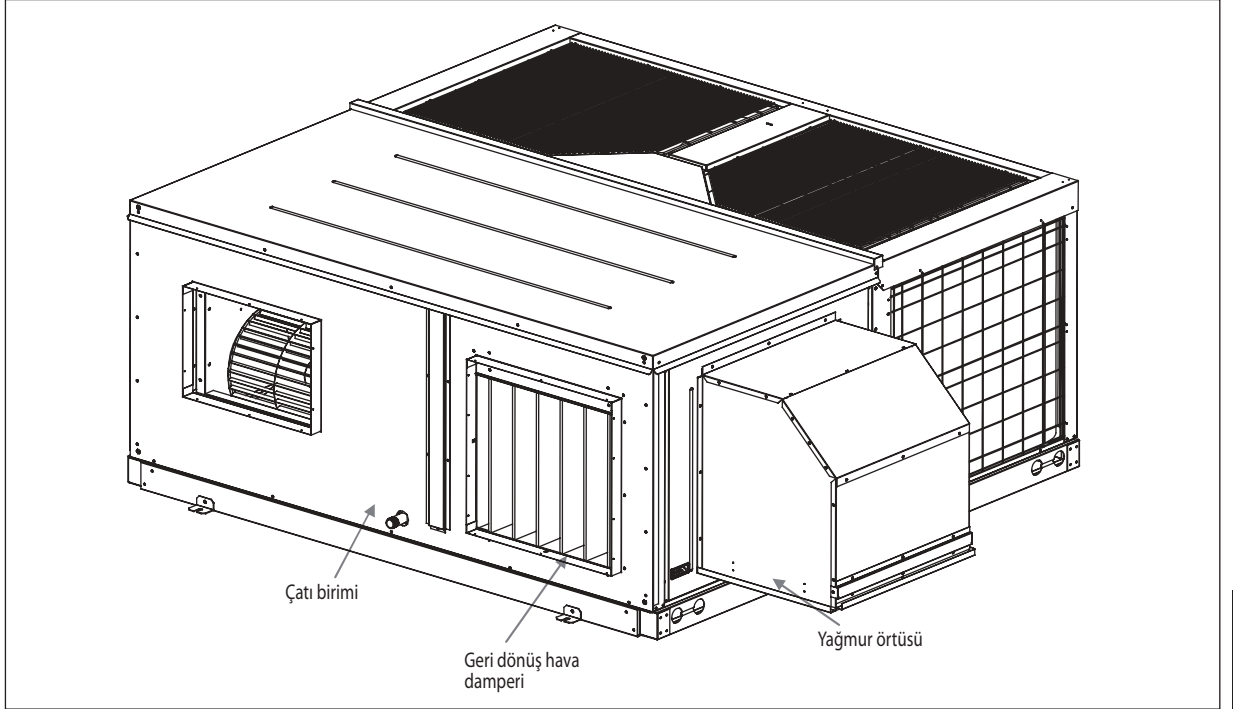
Conta
Kalem 2 -----> Kalem 6 -----> Kalem 7 -----> Kalem 12 -----> Kalem 14 -----> Kalem 5 -----> Kalem 4 -----> Kalem 3 -----> Kalem 13 -----> Kalem 9 -----> Kalem 8 -----> Dolgu macunu



- Tüm eklem ve silikon gibi hava geçirmez mastik ile (boşlukları kapatmak için tavsiye edilir, saha öge) için su geçirmez yağmur örtünün üzerinde terbiye sağlamak için verilir.

ADIM 9

- Sonuç olarak aşağıda verilen çizimde gösterildiği şekilde ekonomizör kitli birimi elde edeceksiniz:



Not

Adım 1'den Adım 9'a kadar çizimlerde gösterilen birim UATYQ350. Diğer modeller aynı yöntemi takip eder. Adım 1'den Adım 10'a kadar çizimlerde gösterilen birim UATYQ900. Diğer modeller aynı yöntemi takip eder.

(ii) **Aşağı geri dönüş (dikey) uygulaması**

ADIM 1

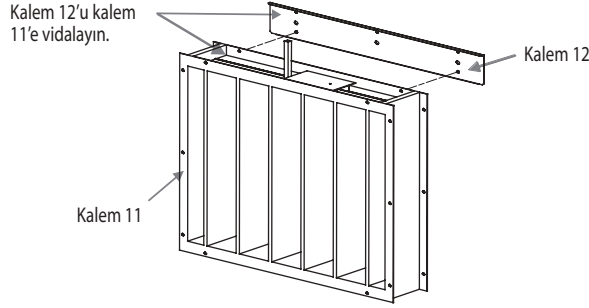
- Birimin güç beslemesini kesin ve ekonomizör kitinin kurulum, görevlendirme yada hizmeti öncesi güvenlik kilidini takın. Yukarıda belirtilen tüm aletleri hazırlayın.

ADIM 2

- Kol demiri ve çekiç yardımı ile ekonomizör kitinin ahşap kasasını açın. Daha sonra, kesici yardımı ile parça ve mandalların paketlerini açın. Yukarıda belirtilen şekilde kurulum öncesi kontrolü gerçekleştirin.

ADIM 3

- Destek rafını, atmayı (kalem 12) geri dönüş havası damperine (kalem 11) kit içerisinde verilen M5x16 (kalem 13) tipi vida ile bağlayın.



Not

Destek parçası, devrilme bağlantısı (öğe 12) ECONO 700 & 900'de bulunmamaktadır. Bu modele ekonomizör kiti kurmak için, adım 3'ü bakmayın ve adım 4'e geçin.

ADIM 4

- 1 adet Belimo aktüatörü, LF24-SR (kalem 1) geri dönüş havası damperine (kalem 11) monte edin. Aktüatörün deliğini damperin şaftına göre hizalayın ve takın.



DİKKAT 1

Geri dönüş hava damperi için varsayılan ayarlar (kalem 11) tamamen açık durumda olacaktır. Aktüatörü monte etmeden evvel damperin "tamamen açık" konumda olduğundan emin olun. Aksi halde birimin normal işletimi esnasında hatalar oluşabilir.

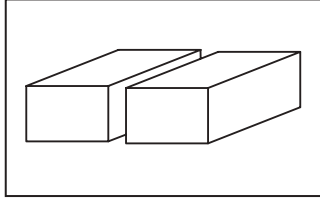


DİKKAT 2

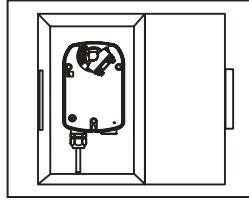
Aktüatörün yukarı/dışarı bakan yüzeyi aktüatör modülasyon rotasyonunun saat yönünde olmasını sağlamak üzere "L" sembolü ile işaretlenecektir. Aksi halde ekonomizör işlevli birimin normal işletimi esnasında hatalar oluşabilir.

Not

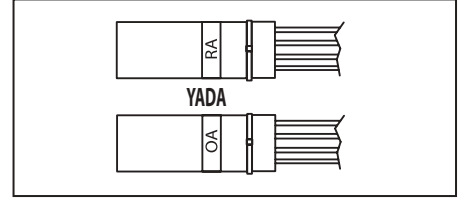
Ekonomizör kiti içinde karton kutular içinde gelen 2 adet Belimo aktüatör, LF24-SR (kalem 1) bulunmaktadır. Kutuları açın ve kablo üzerindeki etiketi okuyun. Adım 4 dahilinde kullanılan aktüatör "RA" ile etiketlenmiş olmalıdır.



Karton kutular içinde 2 adet kalem 1.

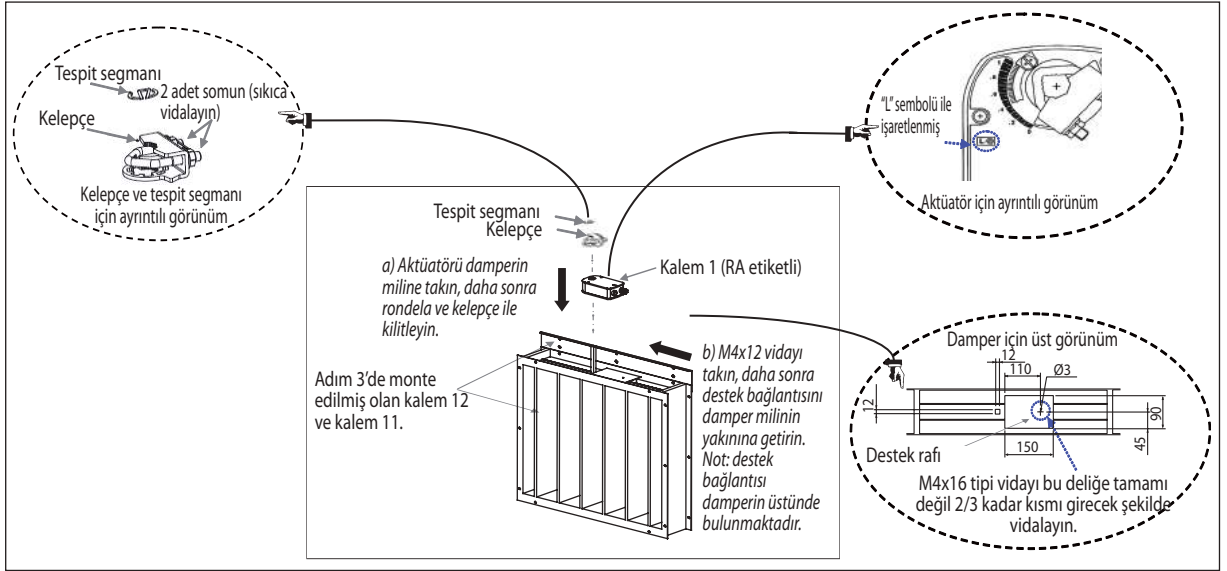


Kutuyu açın



Kablo üzerindeki etiketi okuyun. Birisi "RA" diğeri "OA" olarak işaretlenmiştir.

- Daha sonra damperin destek rafı üzerine 1 adet M4x12 (kalem 14) tipi vidayı uygulayın. Vidayı tamamen sıkmak yerine 2/3 kadar kısmını sokun. Destek rafını damper şaftına yaklaştırarak aktüatörü destek rafına monte edin. M4x12 tipi vidanın işlevi modülasyon sırasında aktüatörün sabit durmasını sağlamaktır.
- Daha sonra kelepçeyi şafta takarak aktüatörü tespit segmanı ile kilitleyin. Kelepçe somunlarını uygun sıkıştırıcı ile sıkarak ayarlayın. Kelepçe ve tespit segmanı aktüatör ile standart parçalar olarak birlikte gelecektir, bu parçaları aktüatör kutusu içinde bulabilirsiniz.



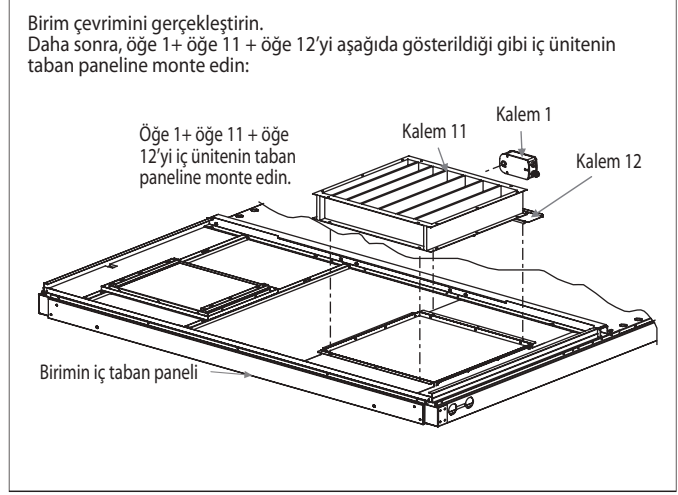
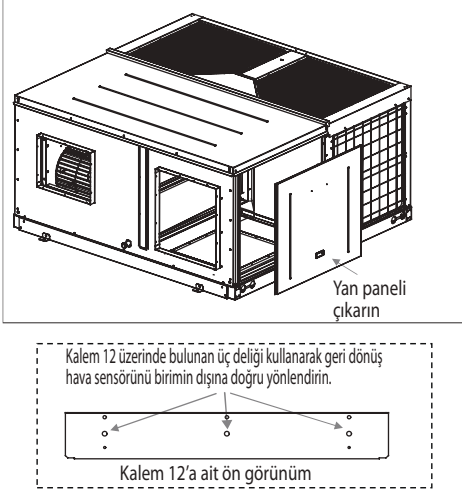
ADIM 5

- Yan paneli sökün. Bu el kitabının "BİRİMİN KURULUMU" bölümü altında (G) kısmında belirtilen adımları takip ederek standart birimden atma birimine birim çevirmeni gerçekleştirin.
- Aynı vida deliklerini kullanarak adım 3 ve adım 4 dahilinde monte edilmiş olan geri dönüş hava damperi (kalem 11) + destek rafı, atma (kalem 12) + Belimo aktüatörü, LF24-SR (kalem 1) birimin iç tabanına M5x16 (kalem 13) tipi vida kullanarak kurun.



DİKKAT

Birimin içerisinde bulunan geri dönüş hava sensörünü (geri dönüş hava girişi üzerinde) birimin dış bölümüne doğru uzatın. Bunu sensörü destek rafı üzerindeki küçük delikler içerisinden geçirerek yapabilirsiniz (kalem 12) Sensör daha sonra kablo bağları (alan beslemesi) kullanılarak geri dönüş hava kanalı içine yerleştirilir. Bunun yapılmaması ünitenin performansını etkileyebilir ve kullanıcılara ısı yönünde rahatsızlık verebilir. ECON0700 ve UATYQ700 modelinde, sensör dağıtımı devrilmeye bağlantısının dönüş havası girişinin metal kenarındaki küçük delikten yapılabilir.



ADIM 6

- 1 adet Belimo aktüatörü, LF24-SR (kalem 1) yan panel dış hava damperine (Kalem 2) monte edin. Aktüatörün deliğini damperin şaftına göre hizalayın ve takın.



DİKKAT 1

Dış hava damperi için varsayılan ayarlar (kalem 2) tamamen kapalı durumda olacaktır. Aktüatörü monte etmeden evvel damperin "tamamen kapalı" konumda olduğundan emin olun. Aksi halde birimin normal işletimi esnasında hatalar oluşabilir.

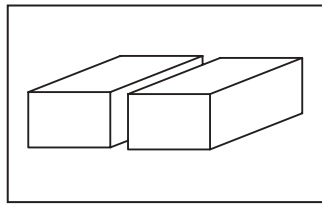


DİKKAT 2

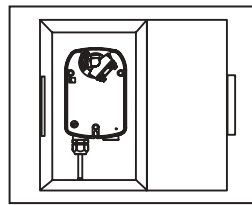
Aktüatörün yukarı /dışarı bakan yüzeyi aktüatör modülasyon rotasyonunun saat yönünün tersinde olmasını sağlamak üzere "R" sembolü ile işaretlenecektir. Aksi halde ekonomizör işlevli birimin normal işletimi esnasında hatalar oluşabilir.

Not

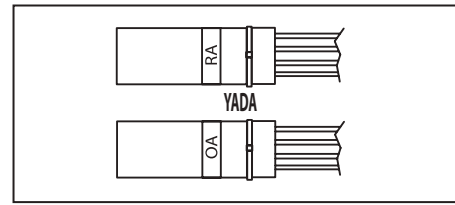
Ekonomizör kiti içinde karton kutular içinde gelen 2 adet Belimo aktüatör, LF24-SR (kalem 1) bulunmaktadır. Kutuları açın ve kablo üzerindeki etiketi okuyun. Adım 6 dahilinde kullanılan aktüatör "OA" ile etiketlenmiş olmalıdır.



Karton kutular içinde 2 adet kalem 1.

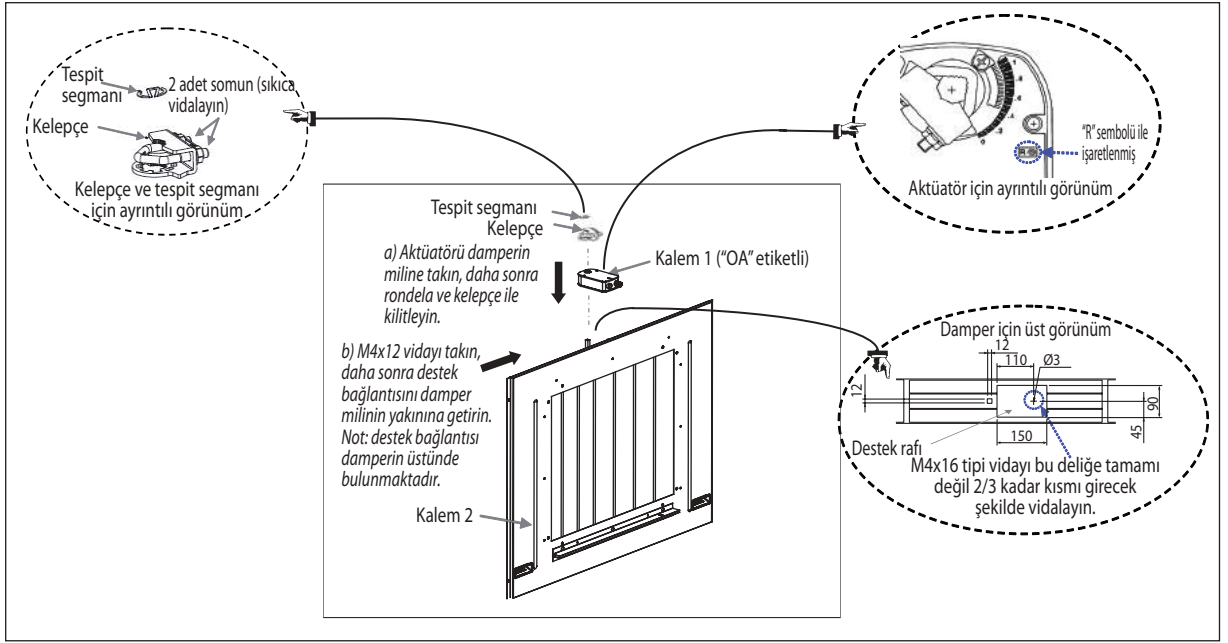


Kutuyu açın.



Kablo üzerindeki etiketi okuyun. Birisi "RA" diğeri "OA" olarak işaretlenmiştir.

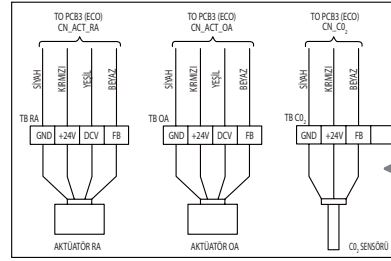
- Daha sonra damperin destek rafı üzerine 1 adet M4x12 (kalem 14) tipi vidayı uygulayın. Vidayı tamamen sıkmak yerine 2/3 kadar kısmını sokun. Destek rafını damper şaftına yaklaştırarak aktüatörü destek rafına monte edin. M4x12 tipi vidanın işlevi modülasyon sırasında aktüatörün sabit durmasını sağlamaktır.
- Daha sonra kelepçeyi şafta takarak aktüatörü tespit segmanı ile kilitleyin. Kelepçe somunlarını uygun sıkıştırıcı ile sıkarak ayarlayın. Kelepçe ve tespit segmanı aktüatör ile standart parçalar olarak birlikte gelecektir, bu parçaları aktüatör kutusu içinde bulabilirsiniz.



ADIM 7

- İç taban panelindeki montaj damperinde bulunan, "RA" ile işaretli LF24-SR (kalem 1) Belimo aktüatörünü, bağlantı kutusunun içindeki "RA" ile işaretli terminal bloğuna bağlayın.
- Aktüatör üzerinde farklı renklerde dört adet kablo bulunmaktadır (siyah, kırmızı, yeşil ve beyaz) Kaboları şu şekilde bağlayın:

- Siyah renkli kablo - "GND" olarak işaretlenmiş terminal bloğunun ilk kutbuna bağlayın
- Kırmızı renkli kablo - "+24V" olarak işaretlenmiş terminal bloğunun ikinci kutbuna bağlayın.
- Yeşil renkli kablo - "DCV" olarak işaretlenmiş terminal bloğunun üçüncü kutbuna bağlayın.
- Beyaz renkli kablo - "FB" olarak işaretlenmiş terminal bloğunun dördüncü kutbuna bağlayın.



Bağlantı kutusu ön kapağında bulunan kablo diyagram çıkartması

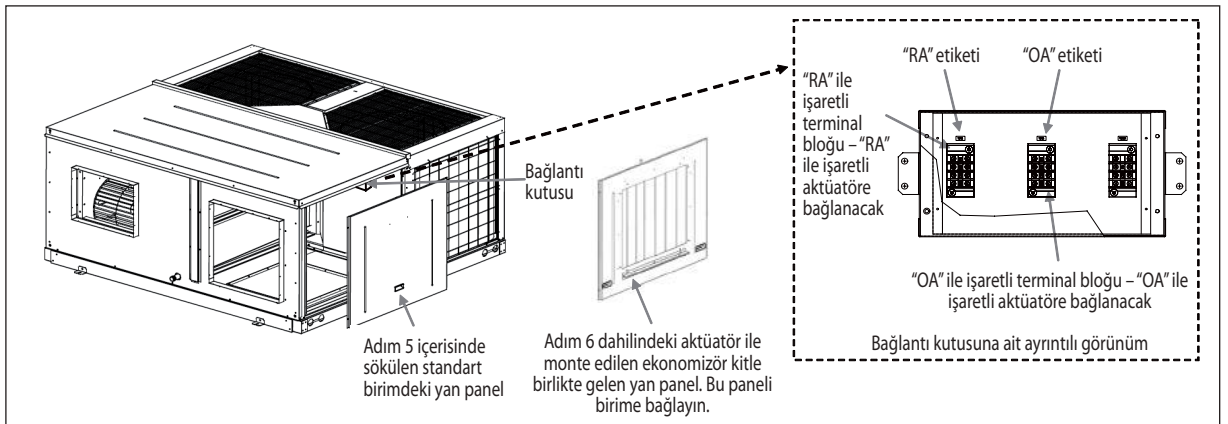
(Bağlantı kutusu ön kapağında yer alan kablolama şemasına bakabilirsiniz)



DİKKAT

Hatalı kablo bağlantısı aktüatörde veya ekonomizörde ya da her ikisinde arızaya neden olabilir. Bağlantı kutusu altında bulunan kablo bağları ile kabloları bağlayın.

- Ön panel üzerindeki montaj damperinde bulunan "OA" ile işaretli Belimo aktüatörünü, LF24-SR (kalem 1) kutu içerisinde "OA" ile işaretli terminal bloğuna bağlayın. "RA" aktüatörü ile "RA" bloğu arasındaki kablo bağlantısı için aynı yöntemi izleyin. Daha sonra yan paneli birime bağlayın. Yan paneli birime bağlamadan evvel kablo bağlarını (alan beslemesi) kullanarak aktüatör kablolarını ayarlamanız gerekebilir.

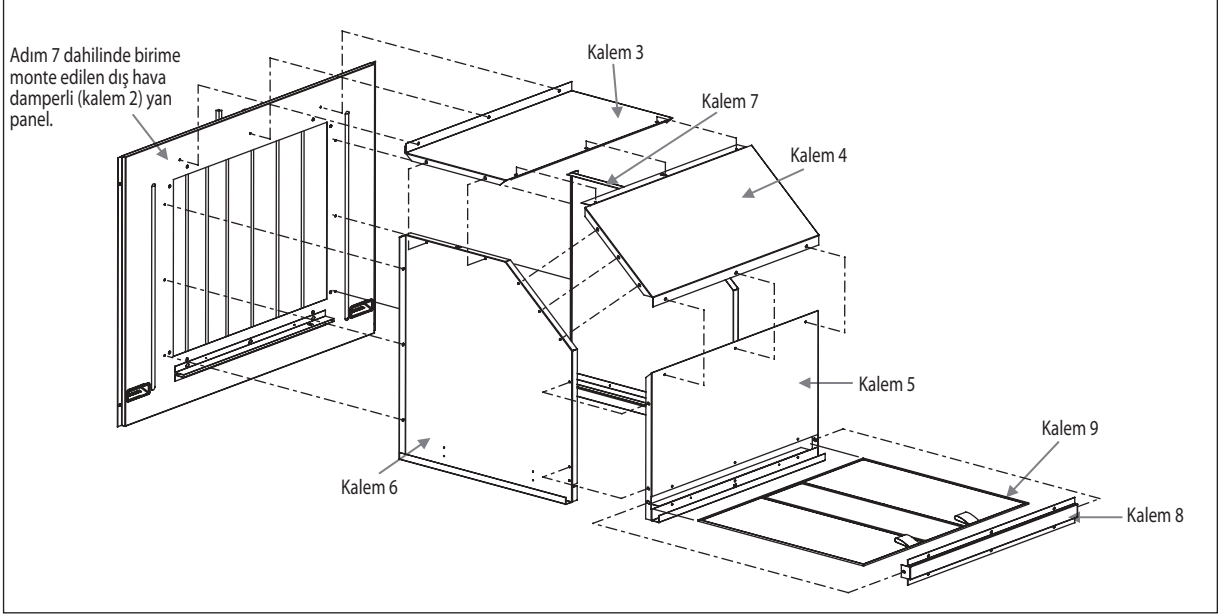


ADIM 8

- Yağmur örtüsünü kurmak için metal parçaları yan panele takın. Bundan önce contayı (alan beslemesi) yalıtım amacıyla yan panel üzerine yerleştirin.
- Bunu yaptıktan sonra, yağmurluğu yapmak için aşağıdaki montaj sırasını takip edin:

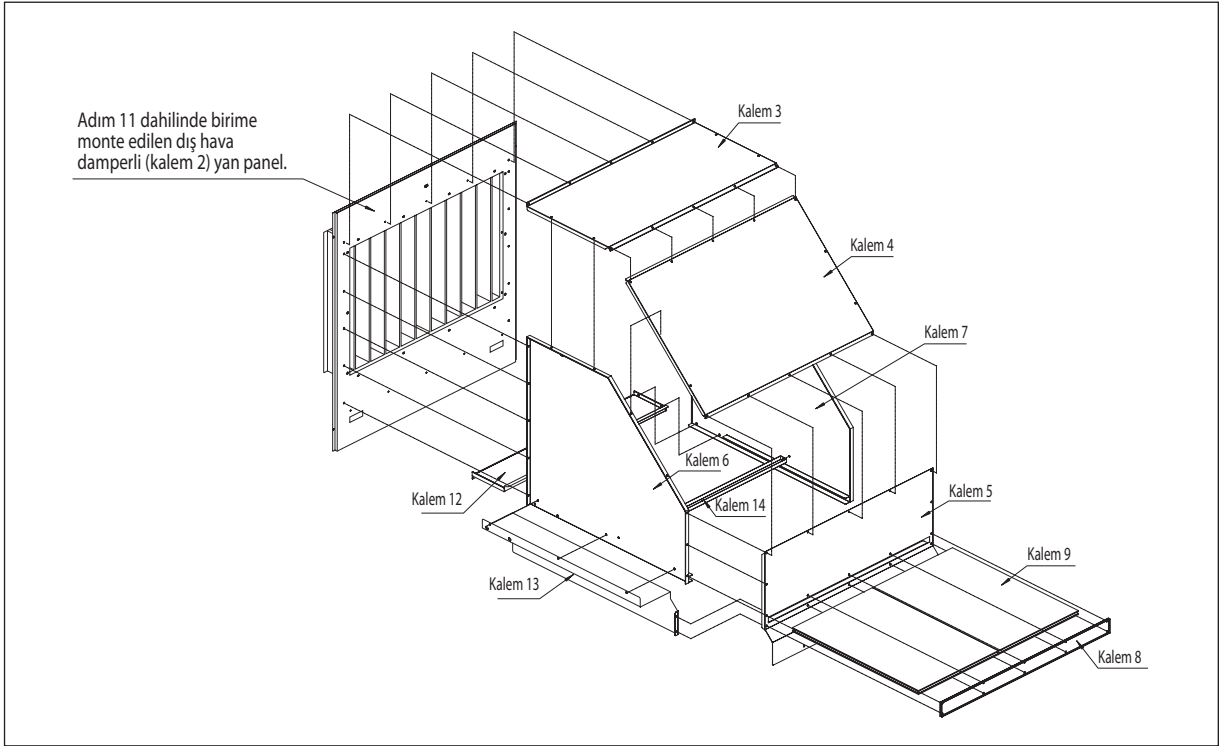
Modeller : UATYQ 250, 350, 450, 550, 600, 700

Conta
Kalem 2 -----> Kalem 6 -----> Kalem 7 -----> Kalem 3 -----> Kalem 4 -----> Kalem 5 -----> Kalem 9 -----> Kalem 8 -----> Dolgu macunu



Modeller : UATYQ 900

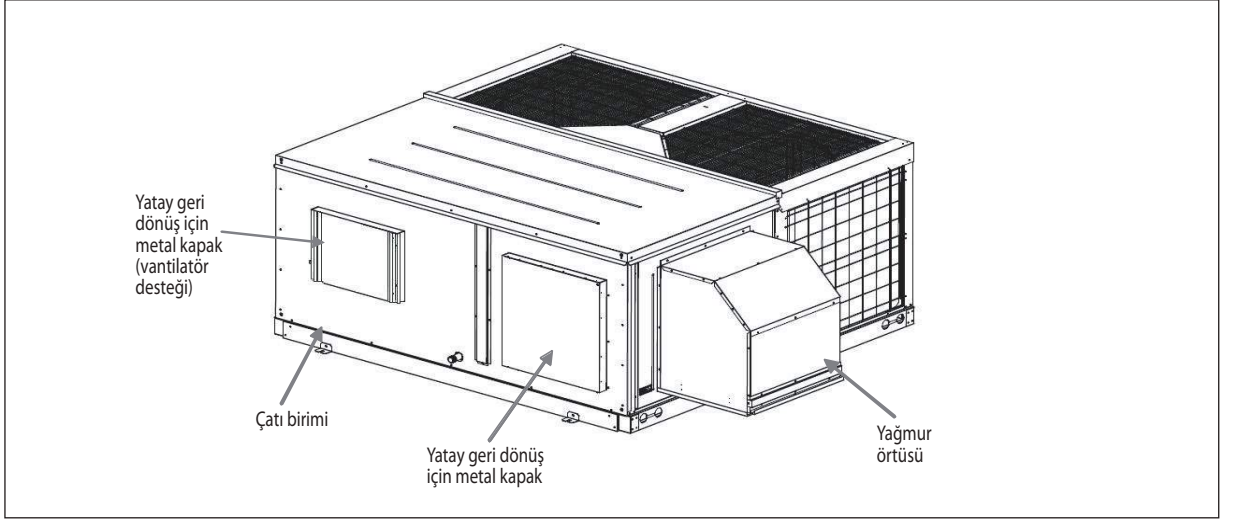
Conta
Kalem 2 -----> Kalem 6 -----> Kalem 7 -----> Kalem 12 -----> Kalem 14 -----> Kalem 5 -----> Kalem 4 -----> Kalem 3 -----> Kalem 13 -----> Kalem 9 -----> Kalem 8 -----> Dolgu macunu



- Tüm eklem ve silikon gibi hava geçirmez mastik ile (boşlukları kapatmak için tavsiye edilir, saha öge) için su geçirmez yağmur örtünün üzerinde terbiye sağlamak için verilir.

ADIM 9 & ADIM 10 (sadece UATYQ900'de kullanılabilir).

- Sonuç olarak aşağıda verilen çizimde gösterildiği şekilde ekonomizör kitli birimi elde edeceksiniz:
- Atma uygulaması için çatı kenarı gerektiğinde bu el kitabının "birimin kurulumu" bölümü altındaki (c) kısmında verilen tavsiyeleri dikkate alın.



Not

Adım 1'den Adım 9'a kadar çizimlerde gösterilen birim UATYQ350. Diğer modeller aynı yöntemi takip eder.
Adım 1'den Adım 10'a kadar çizimlerde gösterilen birim UATYQ900. Diğer modeller aynı yöntemi takip eder.

E Görevlendirme

- (i) **Hava akış direnci**
Hava akış direnci ekonomizör kit tarafından oluşturulan basınç düşüşünü ifade eder. Kurulum öncesinde, doğru tasarım seçimi yapabilmek için Mühendislik Veri Kitabında verilen basın düşüş tablosuna bakmanız önerilir.
- (ii) **Performans Ayarlaması**
Ünite temiz hava modunda çalıştırıldığında, ünitenin performansı düşecektir, bu kullanıcının tercihine bağlıdır. Kurulum öncesinde, doğru tasarım seçimi yapabilmek için Mühendislik Veri Kitabında verilen düzeltme faktörü tablosuna bakmanız önerilir.
- (iii) **Mod seçimi**
Genel olarak kit iki adet mod seçimi sunmaktadır, bunlar Ekonomizör Modu ve Temiz Hava Modu'dur.
- Ekonomizör modu: Dış mekan hava sıcaklığı uygun ise serbest soğutma sağlayın. Tek başına veya mekanik soğutma ile birlikte kullanılabilir.
- Temiz Hava Modu: Havalandırma yada yerel gereksinimlerin gerektirdiği minimum temiz havayı sağlar.
- Not**
Mod seçimi için bu el kitabının "KONTROL İŞLEM REHBERİ" bölümü altındaki (D) (v) kısmında verilen donanım ayarları kılavuzuna bakınız.
- (iv) **Minimum Temiz Hava Seçimi**
Kit hem soğuk hem de sıcak mod için %0 ila 25 arasında minimum temiz hava seçimi sunar. Ekonomizör modu ve fan modu %85'e kadar temiz hava sağlar.
- Not**
Minimum temiz hava seçimi için bu el kitabının "KONTROL İŞLEM REHBERİ" bölümü altındaki (D) (v) kısmında verilen donanım ayarları kılavuzuna bakınız.
- (v) **Fazla soğutma Koruma Özelliği**
Dış hava damper girişine bağlı olarak serin ortam içerisinde sıcaklıkla ilgili uyumsuzluklar oluşabilir. Bu durum fazla soğutma koruma özelliği devreye sokularak önlenebilir.
- Not**
Bakın donanım ayarı kılavuz kısmen (D) (v) bölüm altında overcooled koruma ayarı etkinleştirme için kılavuzda "KONTROL İŞLEM REHBERİ" sağladı.
- (vi) **İşletim Aralığı**
Ekonomizör özellikli birimin uygun işletim aralığı normal birim ile aynıdır. Bu el kitabına ait "İŞLETİM ARALIĞI" bölümüne bakınız.
Ancak, birimin güvenilirliğini sağlamak üzere yüksek yada düşük ortam sıcaklığında temiz hava girişi kapanabilir. Ayrıntılı bilgi için Mühendislik Veri Kitabına bakınız.



DİKKAT

Yüksek yada düşük sıcaklık ortamında performans düşecektir, bakınız madde (E) (ii).

- (vii) **İsteğe bağlı hava filtresi**
Birim içerisinde 2"lik bir filtre bulunmaktadır. Dış mekan havasındaki nem toz ve kir gibi maddelerin girişine neden olabileceğinden isteğe bağlı ikinci bir filtre kullanımı tavsiye edilir.

F Servis ve Bakım

- (i) **Filtrenin işlevi**
Hava akış direnci filtre kirlendiğine artabilir. Bu nedenle en az 2 haftada bir filtreyi düzenli olarak temizleyin. Dış mekana maruz kalan yağmur örtüsündeki hava filtresi kemirgenler yada hayvanlar tarafından hasar görebilir. Filtre hasar gördüğünde değiştirin.
- (ii) **İç kompartman servisi**
Dış mekan hava damper girişi, örtü filtresi toz parçacıklarını tamamen filtreleyemediğinden toz ve kir girmesine yol açabilir. Bu nedenle iç kompartman filtrenin bakımı sırasında temizlenmelidir.
- (iii) **Damper bakımı**
Kirli damperi, özellikle de dış mekan havasına ve ortamına maruz kalan damperi silerek temizleyin.
- Not**
Bu el kitabına ait "SERVIS VE BAKIM" bölümüne bakınız.

G Talep Havalandırma Kontrolü

- Yeterli hava kalitesini sağlarken enerji tüketimini azaltmak için kullanılabilir bir yöntem de talep kontrollü havalandırma. Hava değişim hızını sabit olarak ayarlamak yerine karbondioksit sensörü (CO₂ sensörü) bu hızı mevcut bina sakinlerinin emisyonunu esas alarak dinamik olarak kontrol edecektir.
- CO₂ sensörü bu alanda tedarik edilen isteğe bağlı bir elemandır. CO₂ sensörü seçimi ile ilgili olarak aşağıda verilen bilgi ve tavsiyeleri inceleyiniz:

- Türü: Kanala monteli
- Güç beslemesi: 24 VDC, 50Hz
- İşletim sıcaklık aralığı: 0 ~ 52°C
- Ortam sıcaklık aralığı: -15 ~ 52°C
- Ölçüm aralığı: 0 ~ 5000 PPM (uygulamaya bağlı olarak)
- Çıkış gerilimi: 2 ~ 10 VDC
- Kablo boyutu: AWG18
- Maksimum izin verilen akım: 7A
- Uyum standartları: Yerel ve milli yönetmelikler

- Ekonomizör kontrolü CO₂ sensörü entegrasyonu ile birlikte kurulu bir yazılımla gelmektedir. Yalnızca ekonomizör modunda aktif hale getirilir. Kullanıcı 3 numaralı DIP anahtarı vasıtasıyla farklı eşik değerleri arasında seçim yapabilir. CO₂ PPM seviye eşik değeri seçimi ile ilgili olarak bu el kitabının "KONTROL İŞLETİM REHBERİ" bölümü altında (D) (v) kısmında belirtilen donanım ayarları rehberini kullanınız.

Örneğin: 0 ila 5000 PPM ölçüm aralığında 1250PPM eşik değerinde CO₂ sensörünü kullanmak için kullanıcı aşağıdaki adımları izlemelidir:

Adım 1: DIP Anahtarındaki SW4 anahtarını ON konumuna getiriniz (varsayılan fabrika ayarı OFF konumudur)

Adım 2: Uzaktan kumandadaki G6 (ekonomizör kontrolü) parametresini "1" (ON) konumuna getirin (varsayılan fabrika ayarı OFF "0" konumudur).

Adım 3: 4 numaralı DIP Anahtarındaki SW2 anahtarını OFF konumuna getirin (varsayılan fabrika ayarı OFF konumudur)

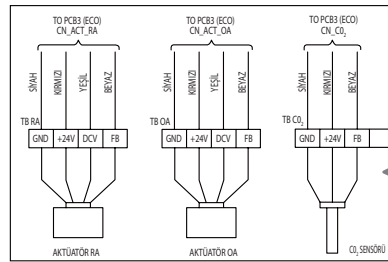
Adım 4: 3 numaralı DIP Anahtarındaki SW1 anahtarını açın (Ekonomizör kontrol paneli) ON konumuna getirin (varsayılan fabrika ayarı OFF konumudur)

{DIP Anahtarı 3'teki SW1 = %25 çarpım açısından 5000 PPM'in %25'i yada 1250PPM dengi anlamına gelmektedir.}

- CO₂ sensörü dışarıdaki ortamla temas ediyorsa, sensörü kilitleme mekanizması olarak vida bulunan su sıçraması korumalı (IPX4) bir kutu ya da CO₂ sensörüne su girişini veya ayrıca sensörüle olası su temasını önleyen benzeri bir yöntemle kapatın. CO₂ sensörü ELEKTRİKLİ bir parçadır.
- Daha sonra CO₂ sensöründen gelen kabloyu birimin iç kompartımanındaki bağlantı kutusuna bağlayın. CO₂ sensörü üzerinde üç adet kablo bulunmaktadır. Kaboları şu şekilde bağlayın:

- Sistem zemin kablosu - "GND" olarak işaretlenmiş terminal bloğunun ilk kutbuna bağlayın
- +24VDC kablosu - "+24V" olarak işaretlenmiş terminal bloğunun ikinci kutbuna bağlayın
- Çıkış geri bildirim sinyali kablosu - "FB" olarak işaretlenmiş terminal bloğunun üçüncü kutbuna bağlayın

(Bağlantı kutusu ön kapağında yer alan kablolama şemasına bakabilirsiniz)

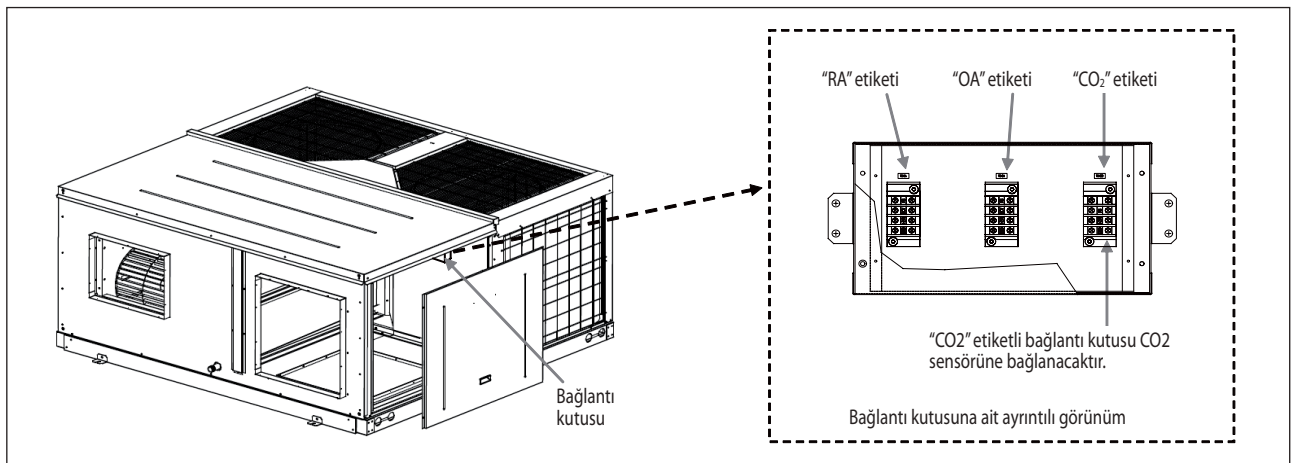


Bağlantı kutusu ön kapağında bulunan kablo diyagramı çıkartması

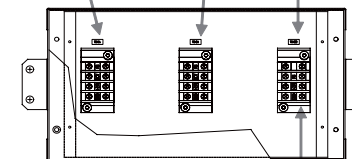


DİKKAT

Kabloların yanlış bağlanması CO₂ sensörünün yada ekonomizör kontrol panelinin yada her ikisinin hata vermesine yol açabilir. Bağlantı kutusu altında bulunan kablo bağlantıları ile kabloları bağlayın.



"RA" etiketi "OA" etiketi "CO₂" etiketi



"CO₂" etiketli bağlantı kutusu CO₂ sensörüne bağlanacaktır.

Bağlantı kutusuna ait ayrıntılı görünüm

H Diğer

(i) Ekonomizör Kitinin Termostat Kontrolü içinde Sınırlandırılması

Termostat kontrolü üçüncü şahıs kontrolleri ile birlikte kullanılır, bu nedenle belli uygulamalara ait ayar sıcaklığı bilinemez. Bu durumda termostat kontrolü için donanım ayarları gerçekleştirilmeden evvel gerekli ayar sıcaklığını belirlemek için uzaktan kumanda kullanılması tavsiye edilir.

Not

Mod seçimi için bu el kitabının "KONTROL İŞLEM REHBERİ" bölümü altındaki (D) (v) kısmında verilen donanım ayarları kılavuzuna bakınız.

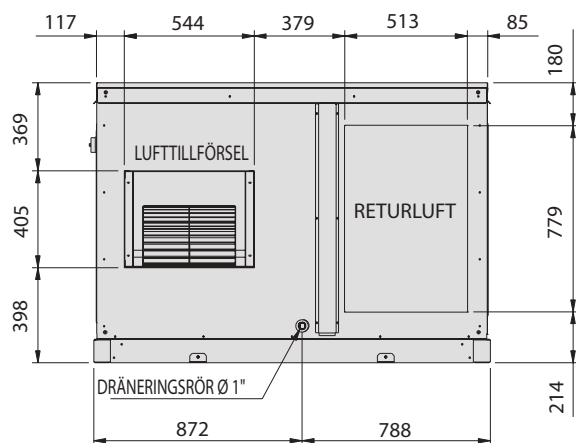
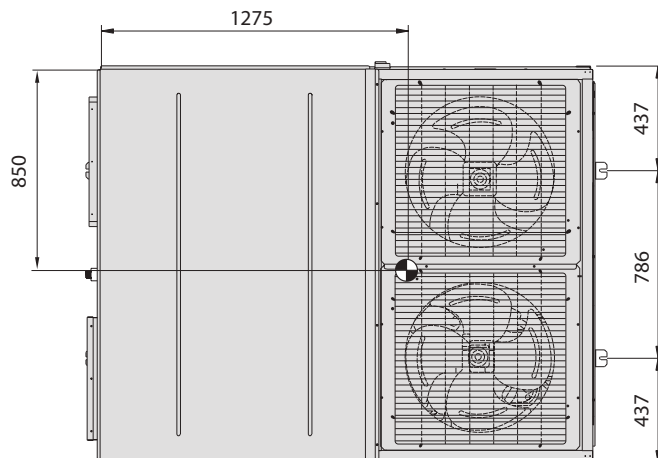
(ii) Basınç Rahatlaması için Gerekenler

Temiz hava mevcudiyeti oda içerisinde daha yüksek basınç oluşturacağı gibi kullanıcılar için de rahatsızlık verebilir. Gerekli görüldüğünde geri dönüş kanalına Basınç Rahatlatma damperi kurulması tavsiye edilir.

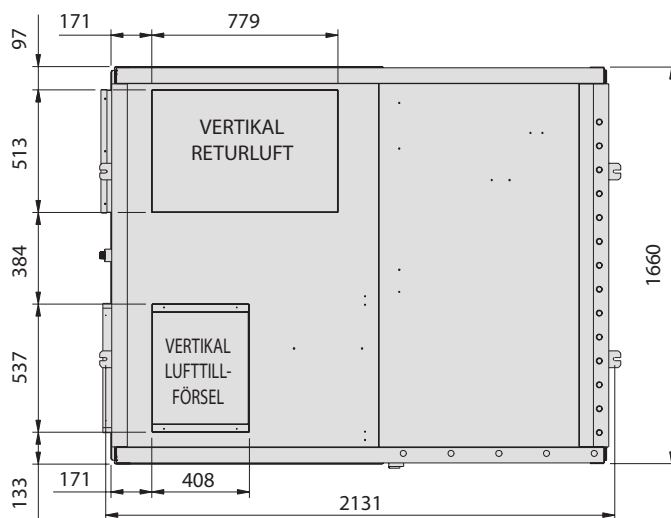
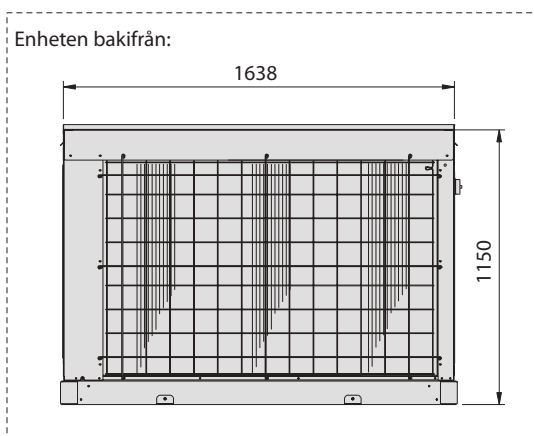
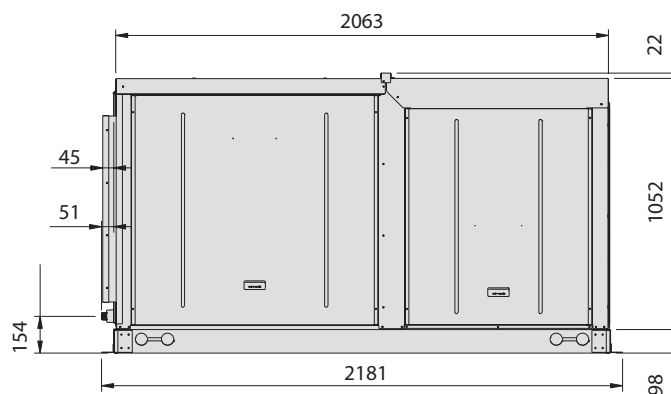
UTSEENDE OCH MÅTT

Modell: UATYQ250

Alla mått är i mm



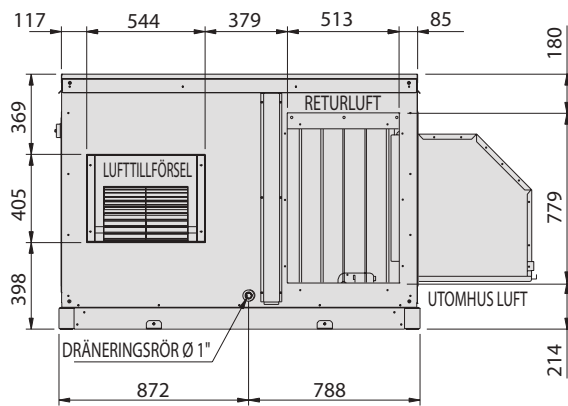
FÖR HORIZONTELLT UTSLÄPP



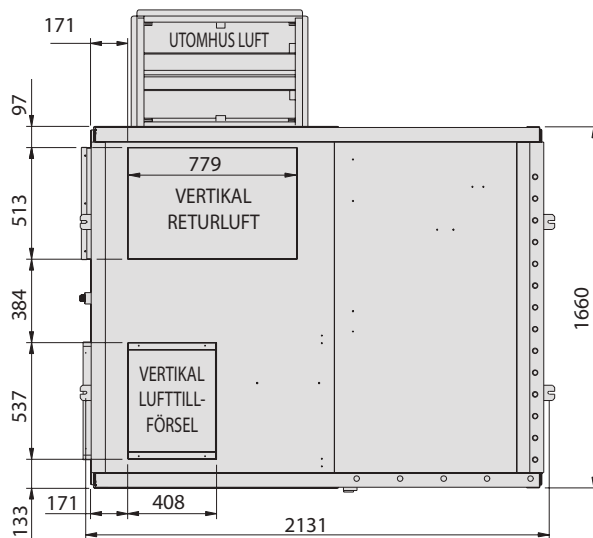
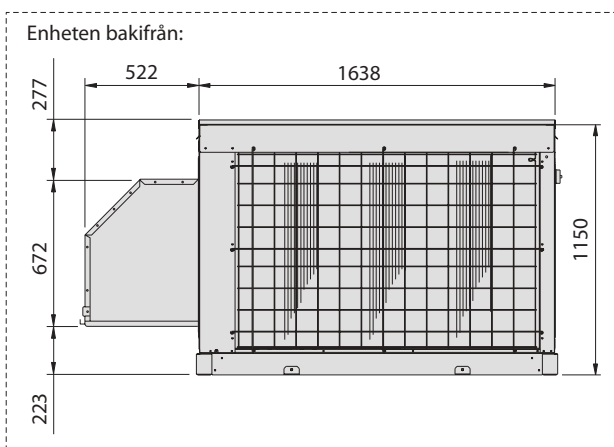
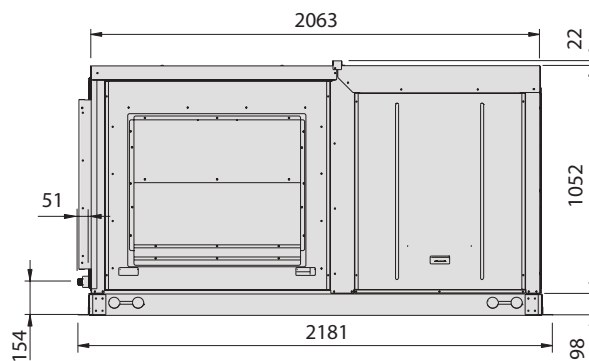
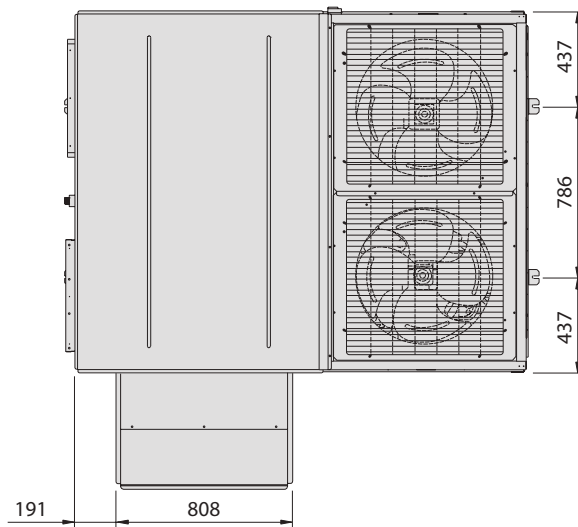
FÖR VERTIKALT UTSLÄPP

Modell: UATYQ250 MED EKONOMIFUNKTION

Alla mått är i mm

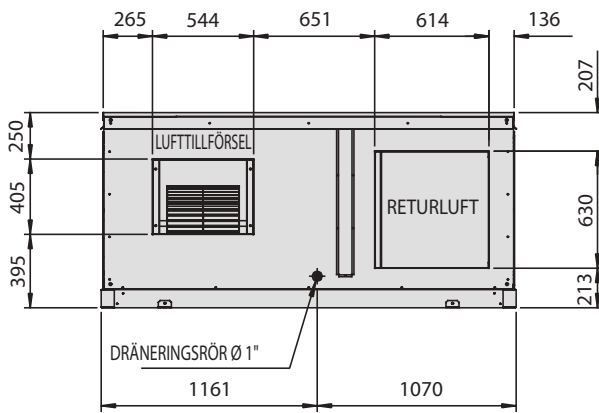
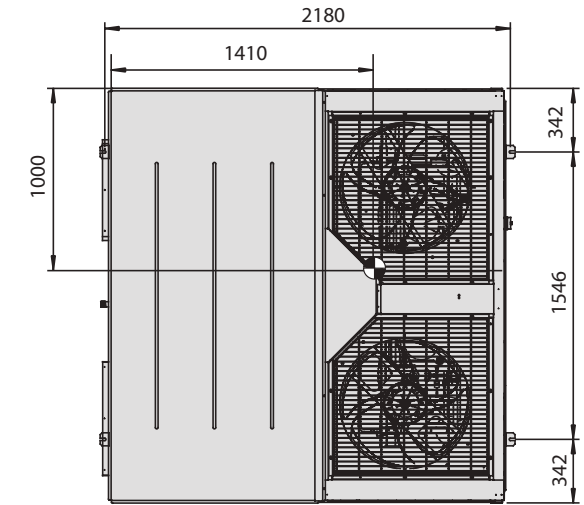


FÖR HORIZONTELLT UTSLÄPP

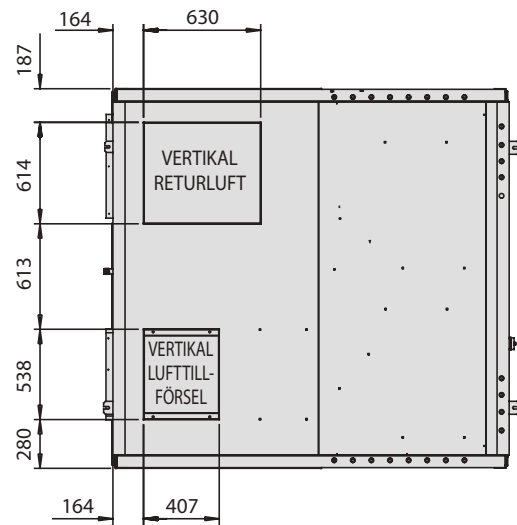
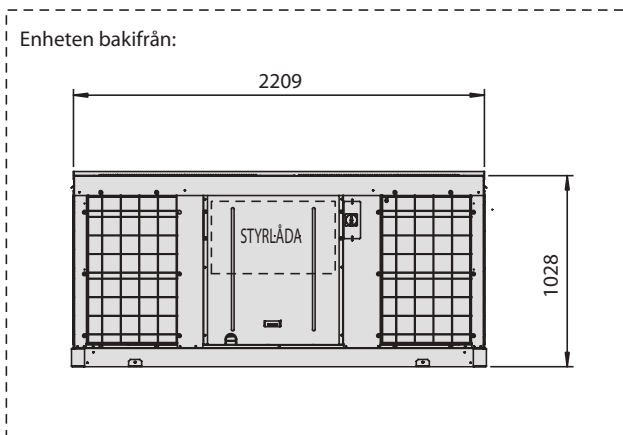
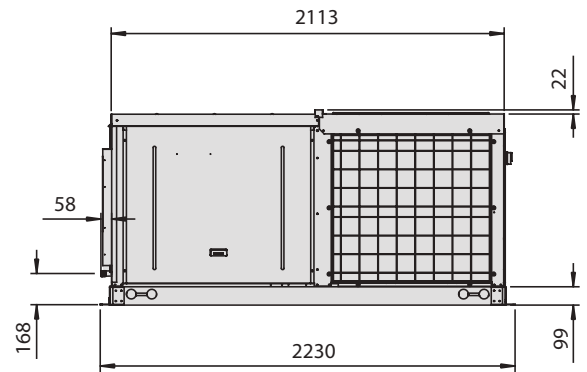


FÖR VERTIKALT UTSLÄPP

Alla mått är i mm



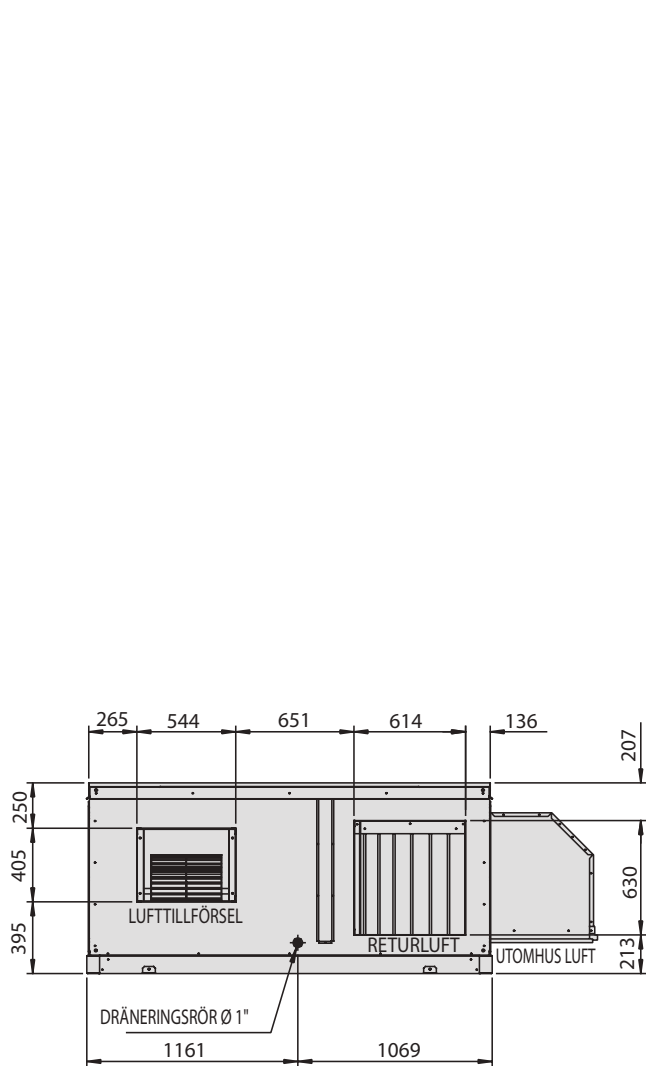
FÖR HORIZONTELLT UTSLÄPP



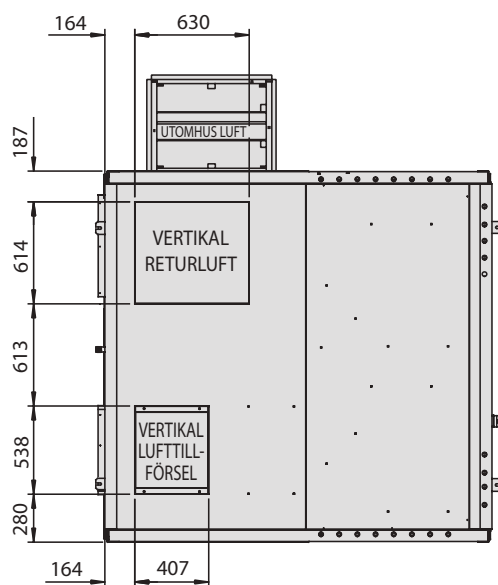
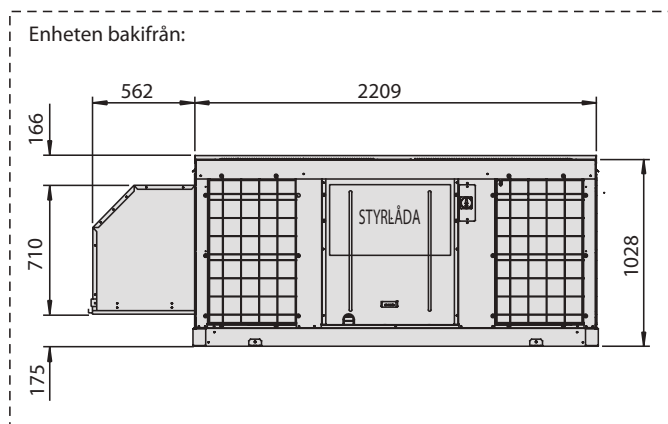
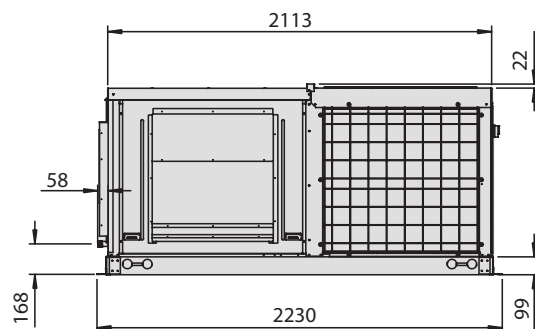
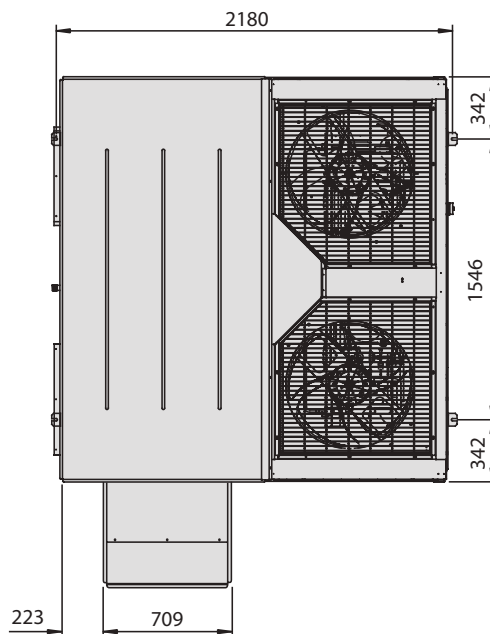
FÖR VERTIKALT UTSLÄPP

Modell: UATYQ350 MED EKONOMIFUNKTION

Alla mått är i mm

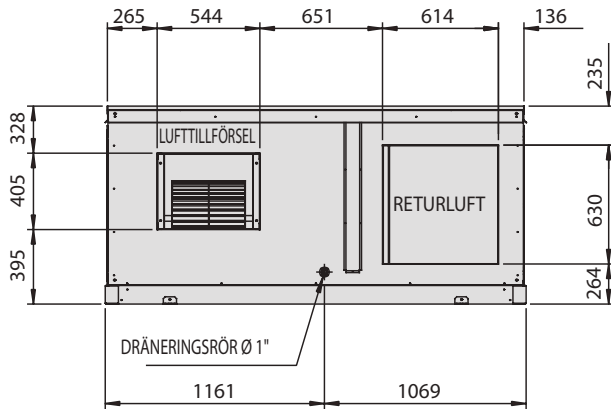


FÖR HORIZONTELLT UTLÄPP

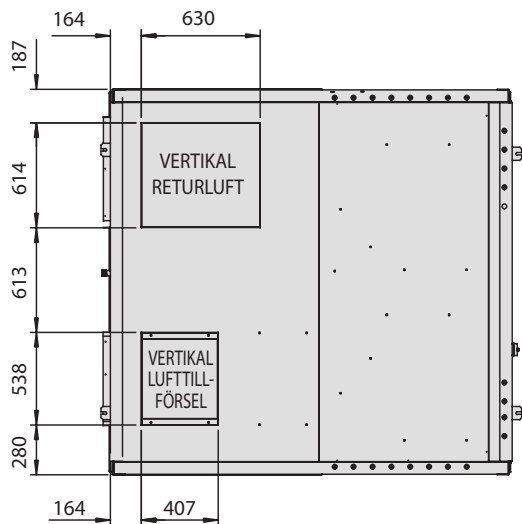
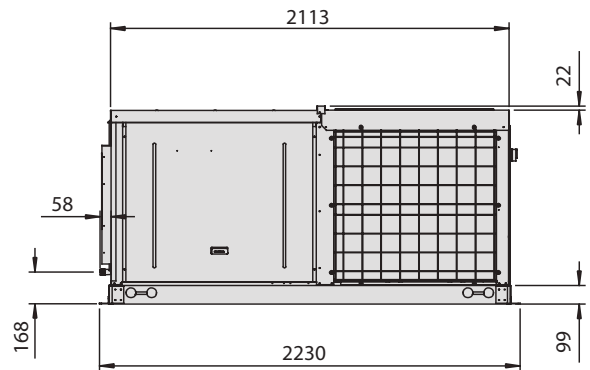
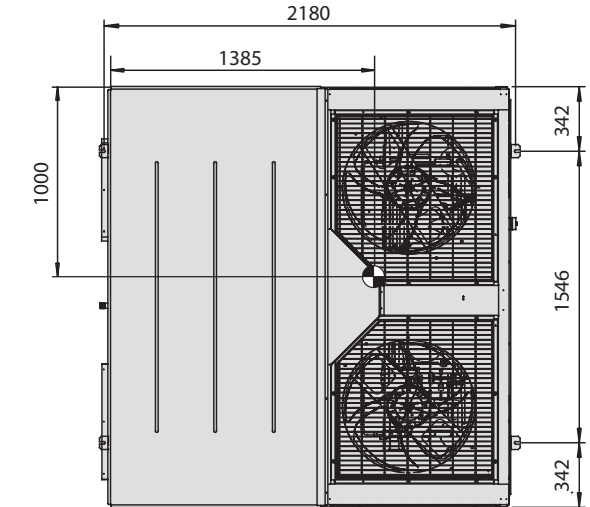
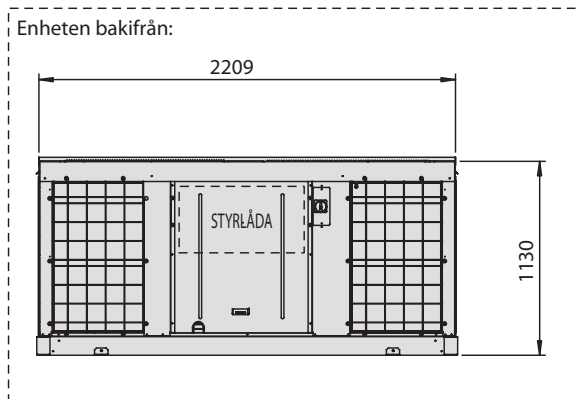


FÖR VERTIKALT UTLÄPP

Alla mått är i mm



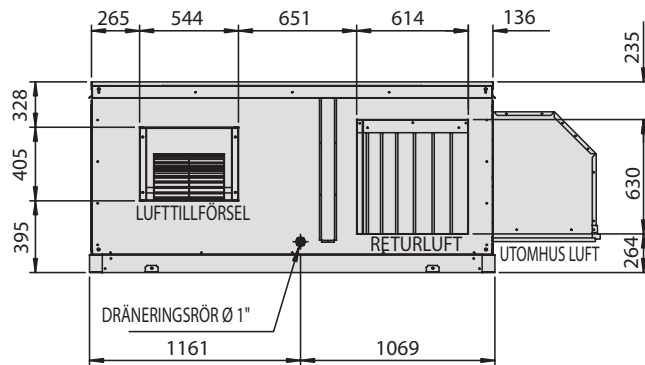
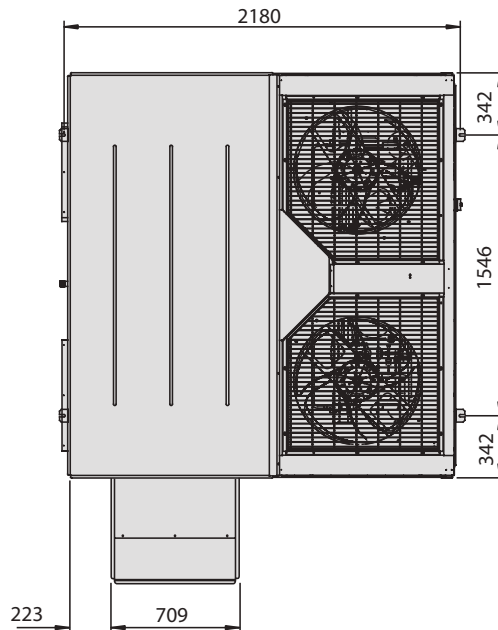
FÖR HORIZONTELLT UTSLÄPP



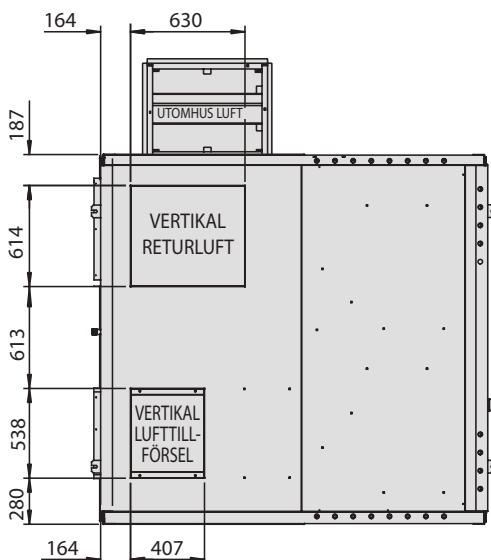
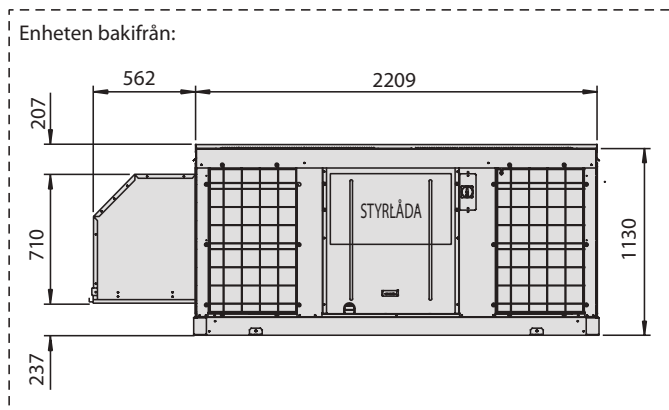
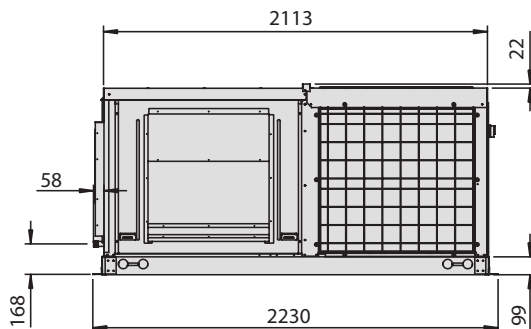
FÖR VERTIKALT UTSLÄPP

Modell: UATYQ450 MED EKONOMIFUNKTION

Alla mått är i mm

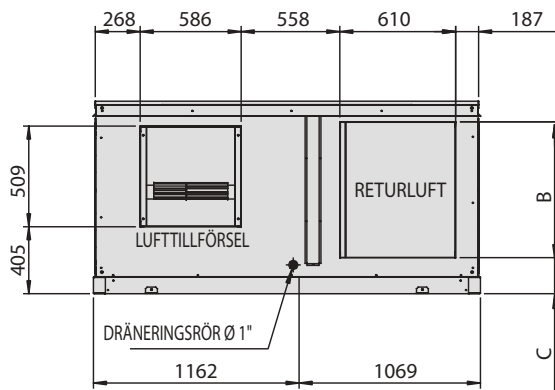
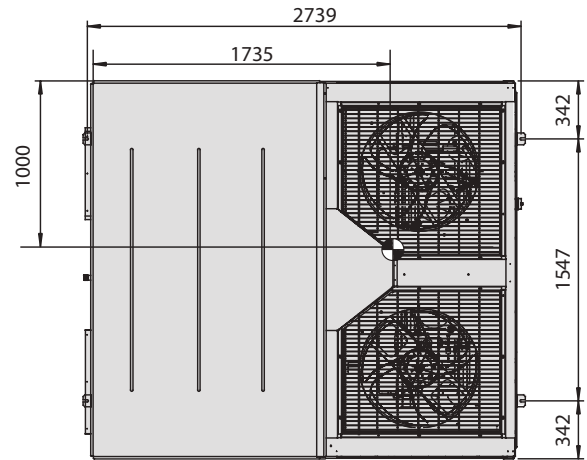


FÖR HORIZONTALT UTSLÄPP

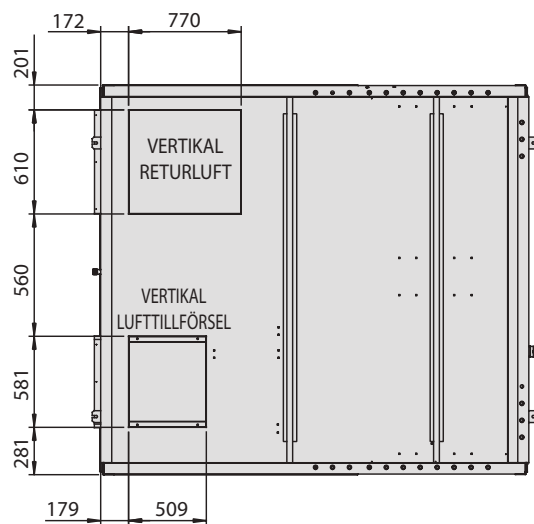
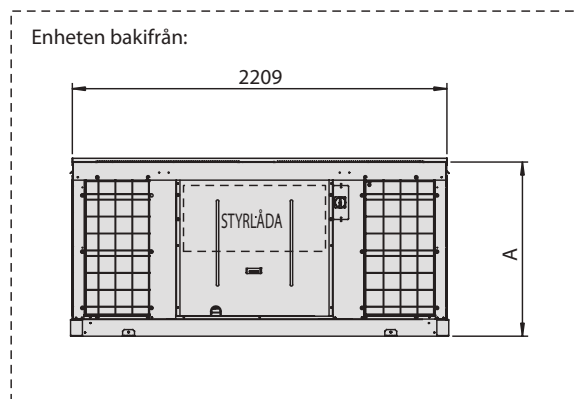
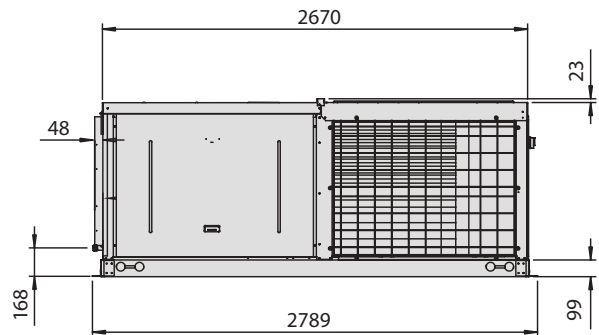


FÖR VERTIKALT UTSLÄPP

Alla mått är i mm



FÖR HORIZONTELLT UTSLÄPP

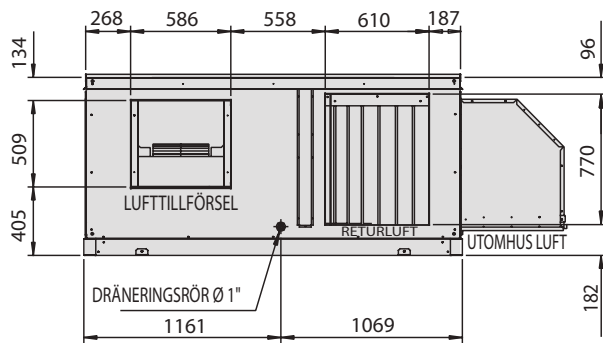


FÖR VERTIKALT UTSLÄPP

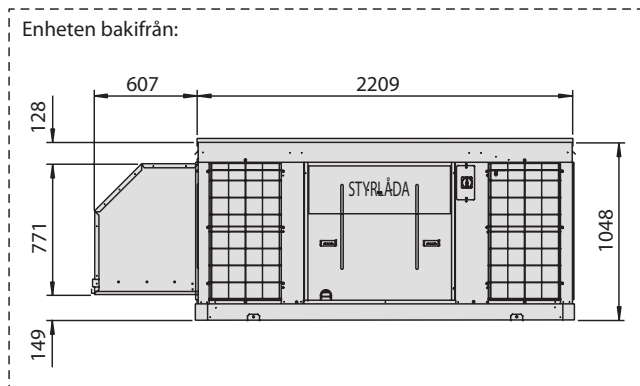
Modell (UATYQ)	550	600	700	900
A	1048	1302	1454	1454
B	770	770	1176	1176
C	182	322	182	182

Modell: UATYQ550 MED EKONOMIFUNKTION

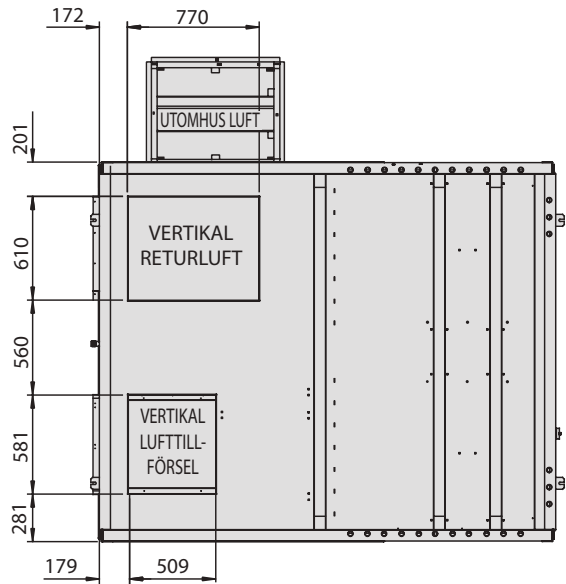
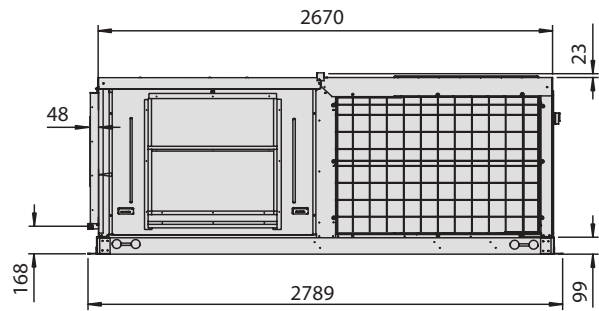
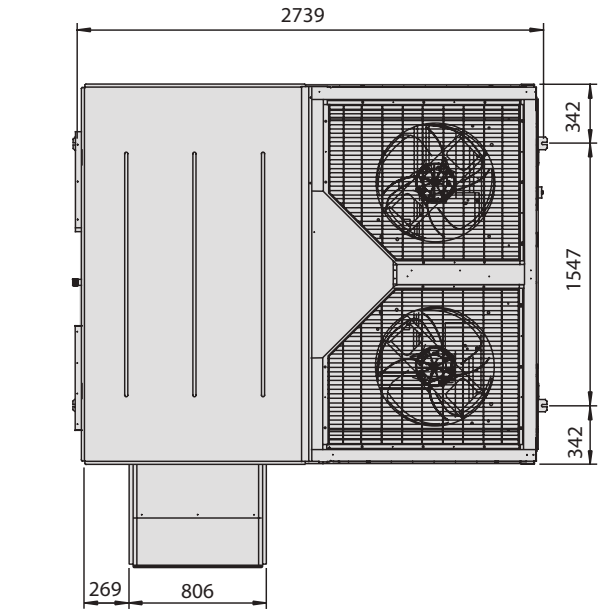
Alla mått är i mm



FÖR HORIZONTELLT UTSLÄPP



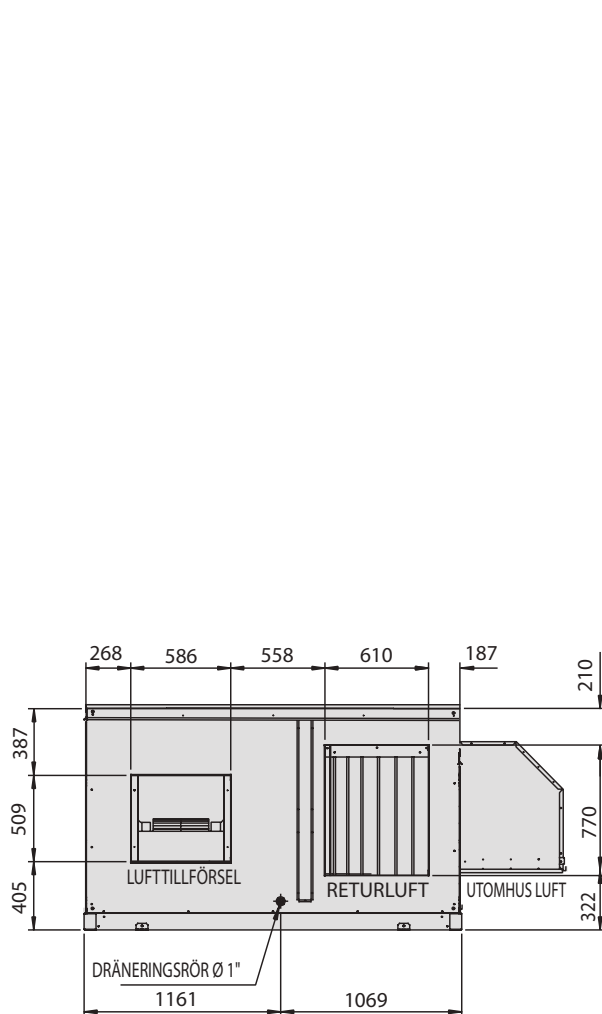
Enheten bakifrån:



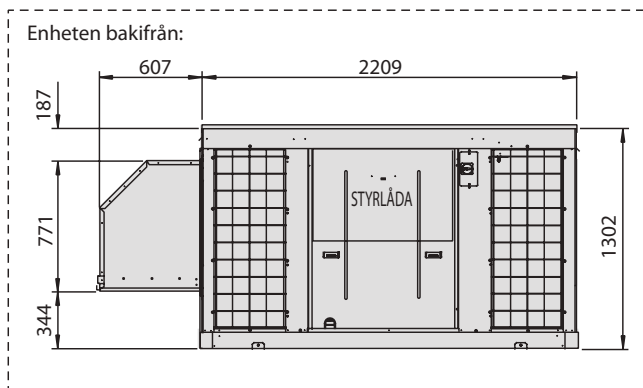
FÖR VERTIKALT UTSLÄPP

Modell: UATYQ600 MED EKONOMIFUNKTION

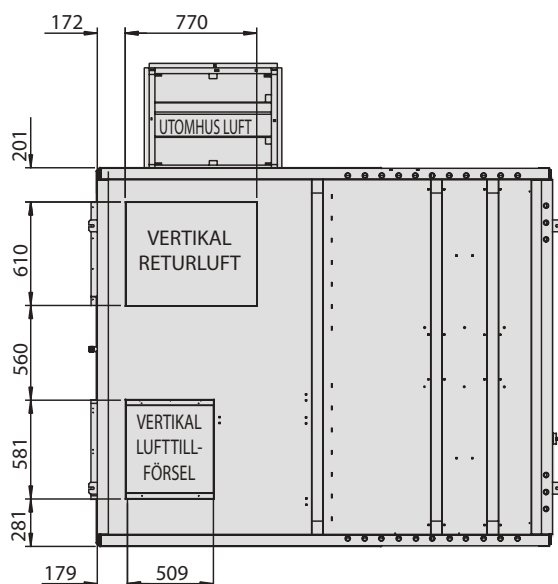
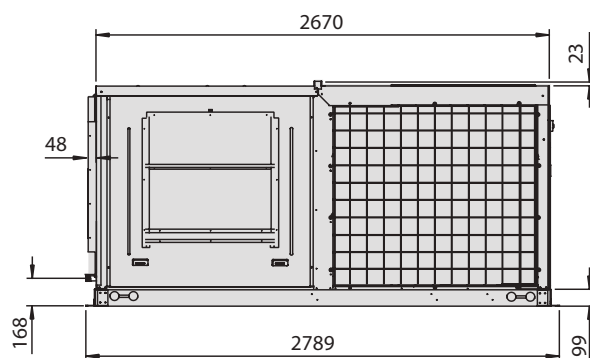
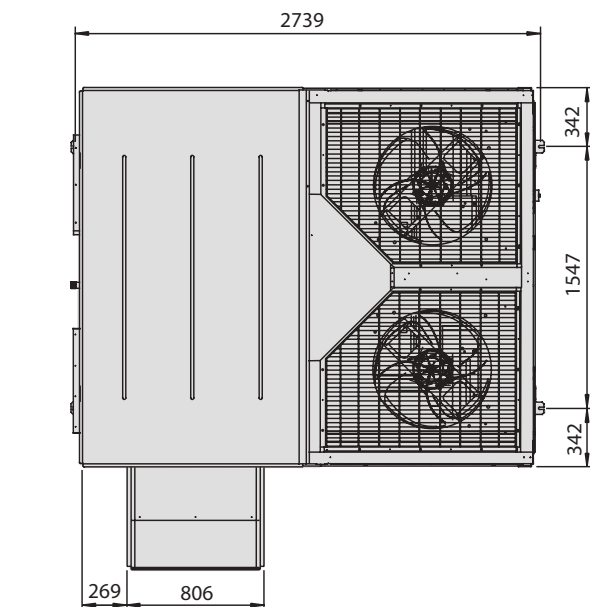
Alla mått är i mm



FÖR HORIZONTELLT UTSLÄPP



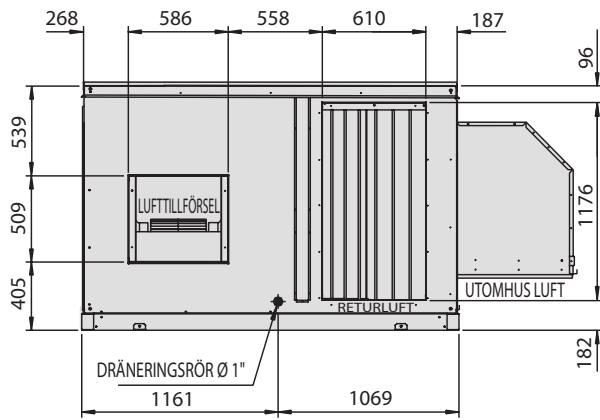
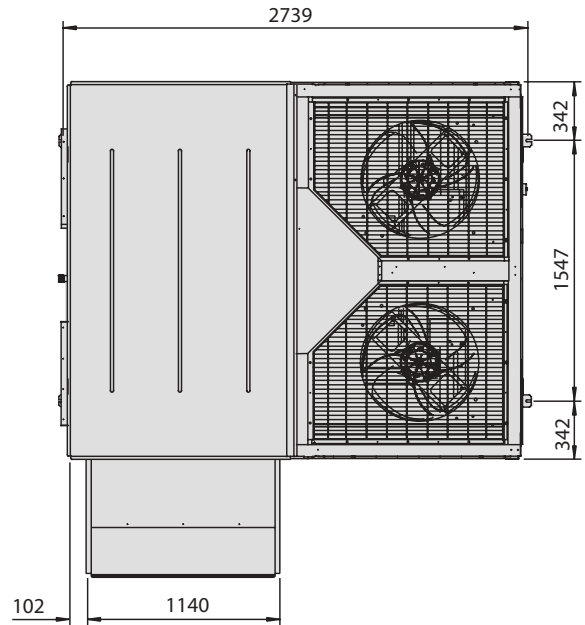
Enheten bakifrån:



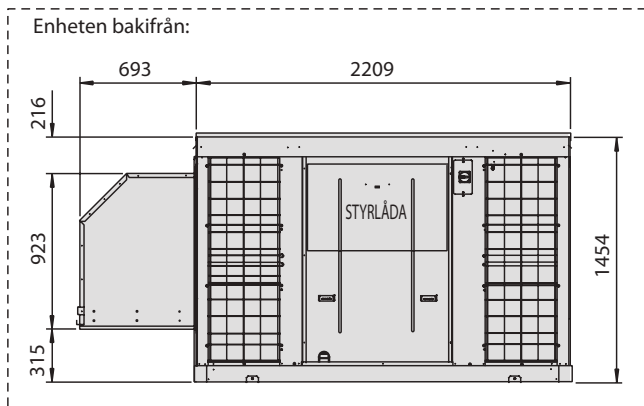
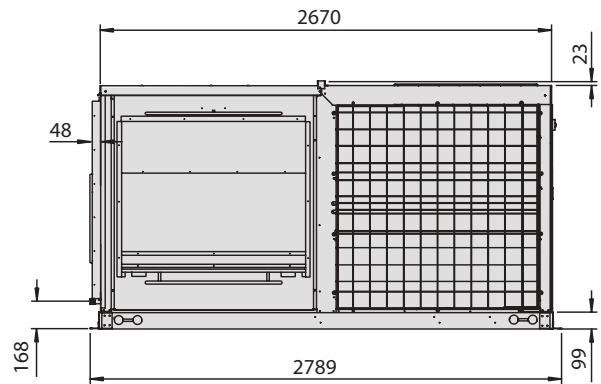
FÖR VERTIKALT UTSLÄPP

Modell: UATYQ700 MED EKONOMIFUNKTION

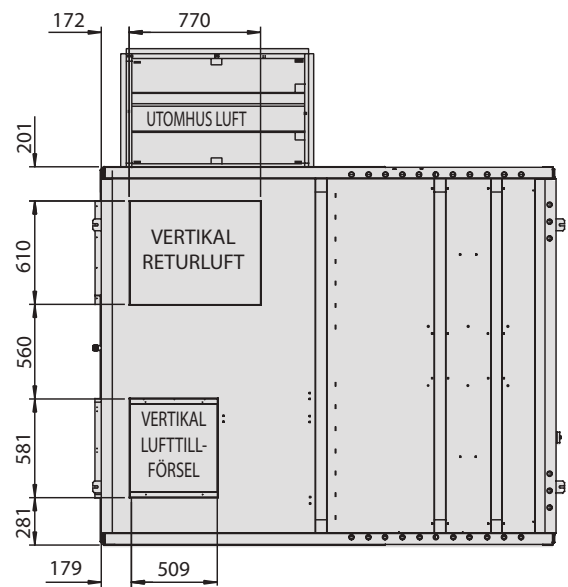
Alla mått är i mm



FÖR HORIZONTELLT UTSLÄPP



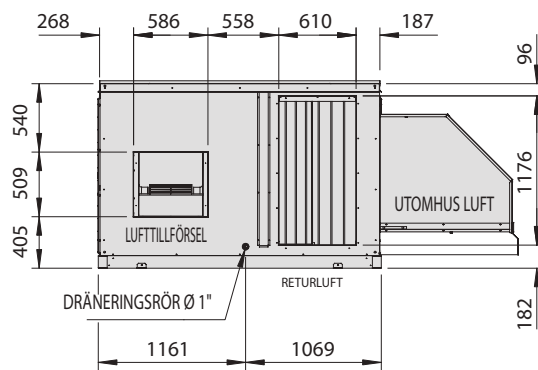
Enheten bakifrån:



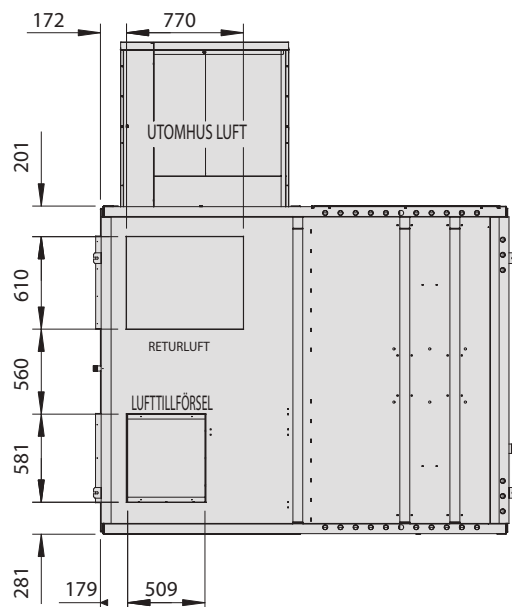
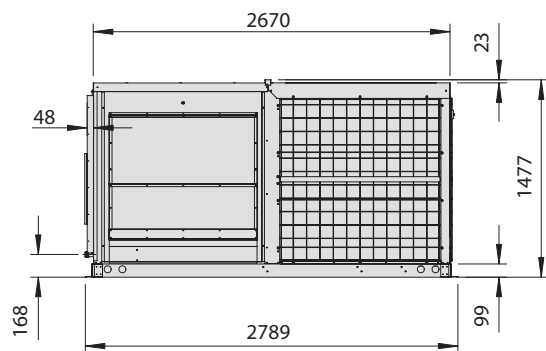
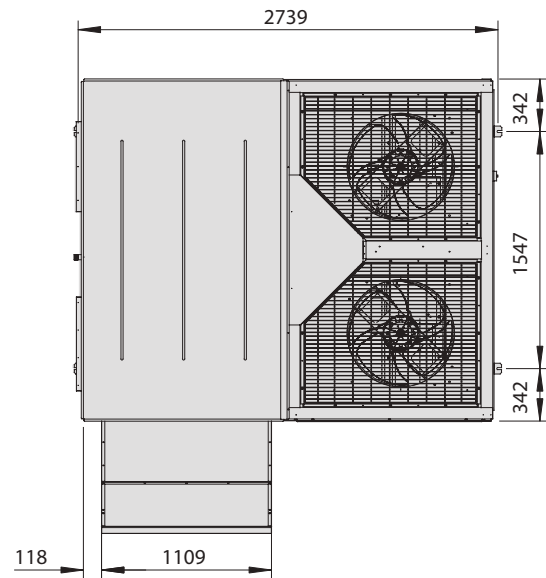
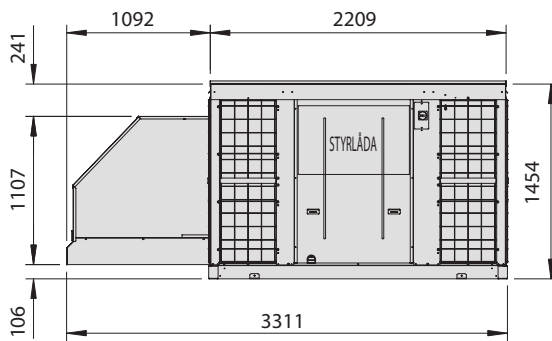
FÖR VERTIKALT UTSLÄPP

Modell: UATYQ900 MED EKONOMIFUNKTION

Alla mått är i mm



FÖR HORIZONTELLT UTSLÄPP



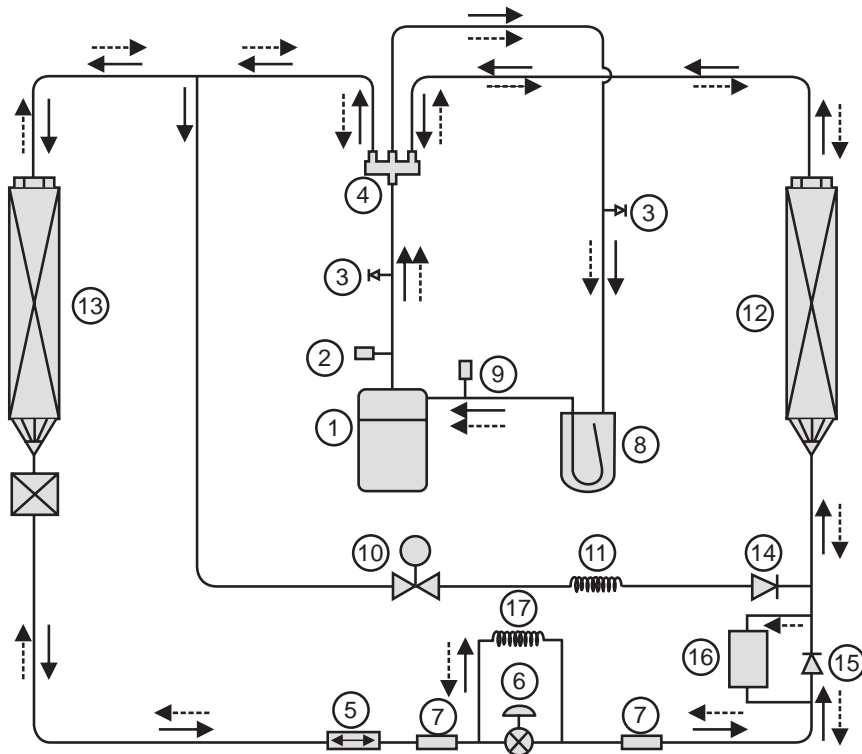
FÖR VERTIKALT UTSLÄPP

KÖLDMEDIUM KRETSDIAGRAM

Modell: UATYQ 250, 350, 450, 550, 600, 700 & 900



Nr	Postbeskrivning
①	Kompressor
②	Högtrycksväxlare
③	Åtkomstventil
④	4-vägsventil
⑤	Filtertork
⑥	Elektronisk Expansionsventil
⑦	Sil
⑧	Ackumulator
⑨	Lågtrycksväxlare
⑩	Solenoidventil
⑪	Förbiströmningskapillärrör
⑫	Inomhusvärmewäxlare
⑬	Utomhusvärmewäxlare
⑭	Backventil 1
⑮	Backventil 2
⑯	Kompensator
⑰	Kapillärrör



- Obs:** (a) UATYQ350, 450, 550, 600, 700 & 900 består av 2 kretsar i systemet.
 (b) Post nr. 15 & 16 är tillämpliga för UATYQ350 endast.
 (c) Post nr. 17 är tillämplig för UATYQ700 & UATYQ900 endast.

INSTALLATIONS MANUAL

Den här manualen ger förfarandena i installationen för att säkerställa en säker och bra standard på drift i ventilationsaggregatet

Särskild Justeringen kan behövas för att passa lokala krav.

Pred uporabo klimatske naprave natančno preberite navodila za uporabo in jih shranite za poznejšo uporabo.

Denna apparat är avsedd att användas av expert eller utbildade användare i butiker, inom lätt industri och på gårdar, eller för kommersiell användning av lekmän.

Denna apparat är inte avsedd att användas av personer, inklusive barn, med nedsatt fysisk eller mental förmåga eller brist på erfarenhet och kunskap, såvida de inte övervakas eller får instruktioner angående användning av apparaten av en person som ansvarar för deras säkerhet.

Barn ska hållas under uppsikt så att de inte leker med apparaten.

SÄKERHETS FÖRESKRIFTER

VIKTIGT

Viktig information angående det köldmedium som används

Denna produkt innehåller fluorerade växthusgaser. Släpp ej ut gaserna i atmosfären.

**Typ av köldmedium:
R410A**

**GWP⁽¹⁾-value:
2087,5**

⁽¹⁾ GWP = global uppvärmningspotential (global warming potential) Kvantiteten för köldmediet står angivet på enhetens namnplåt. Krav på periodiskt återkommande undersökningar efter köldmediumläckage kan förekomma beroende på Europeisk eller lokal lagstiftning. Var god kontakta din lokala återförsäljare för mer information.

NOTERING

I Europa används **utsläppen av växthusgaser** genom total mängd köldmedie i systemet (uttrycks som ton CO₂-motsvarighet) för att fastställa underhållsintervallen.

Följ tillämplig lagstiftning:

GWP-värde på köldmediet × total mängd köldmedie i systemet [i kg] / 1000







VARNING

- Installation och underhåll skall utföras av behöriga personer som känner till lokala lagar och förordningar, och är erfarna av denna typ av apparater.
- All fältkabeldragning måste utföras i enlighet med nationella kabeldragningsföreskrifter.
- Försäkradig om att enhetens märkspänning motsvarar den på märkplåten innan du påbörjar kabeldragningsarbete enligt kabeldragningsdiagrammet.
- Enheten måste JORDAS för att undvika möjlig fara på grund av isoleringsfel.
- Ingen elektrisk kabeldragning får komma i kontakt med köldmediumrörledningen, eller några av fläktmotorernas rörliga delar.
- Bekräfta att enheten har slagits OFF innan du installerar eller utför service på enheten.
- Koppla ur luftkonditionerarenheten från strömuttaget innan du utför service på den.
- **DRA INTE** ur strömsladden då strömmen är ON. Detta kan orsaka allvarliga elstötar som kan resultera i eldsvåda.
- Håll luftkonditionerarenheterna, strömkabeln och sändningskabeldragningen på ett avstånd på minst 1m från TV- och radioapparater för att undvika förvrängd bild och atmosfäriska störningar. (Beroende på typ och källa för de elektriska vågorna kan atmosfäriska störningar höras även vid ett avstånd på mer än 1m bort).
- Utrustningen är ej ämnad för användning i en miljö med risk för explosion.



VARNING

Observera följande viktiga punkter under installationen.

- **Installera inte enheten där läckande antändbar gas kan förekomma.**
 Om gas läcker och ansamlas runt enheten kan det orsaka eldsvåda.
- **Försäkra dig om att dräneringsrörledningen är riktigt ansluten.**
 Om dräneringsrörledningen inte är riktigt ansluten kan det orsaka vattenläckage.
- **Överladda inte enheten.**
 Enheten är fabriksladdad. Överladdning orsakar överström eller skada på kompressorn.
- **Försäkra dig om att enhetens panel stängs efter service eller installation.**
 Osäkrade paneler gör att enheten för oljud under drift.
- **Vassa kanter och spolytor är områden som kan ge upphov till personskador. Undvik att komma i kontakt med dessa områden.**
- **Innan du stänger av strömmen, ställ in fjärrkontrollens ON/OFF-växlare till läget "OFF" för att undvika felaktig fränslagning av enheten.** Om detta inte görs kommer enhetens fläktar att starta automatiskt när strömmen åter kopplas till, vilket utgör en fara för serviceanställda eller användaren.
- **Använd inga värmningsapparater för nära luftkonditionerarenheten.**
- **Använd inte sammanfogade eller snodda kablar till den ingående strömmen.**

Avfallshanteringskrav:

Demontering av enheten, behandling av kylmedel, olja och andra delar måste göras i enlighet med gällande lagstiftning.

INSTALLATION AV ENHETEN

A Plats För Installation

- Installera enheten på ett sådant sätt att luft som kommer från enheten inte kan komma in i den igen (som vid kortslutet luftutsläppslopp). Bered tillräckligt med plats för underhåll av enheten runt den.
- Om två eller fler enheter är installerade på en plats måste de vara placerade så att en enhet inte tar in den utsläppta luften från en annan enhet.
- Se till så att det inte finns något hinder för luftflödet in i eller ut ur enheten. Avlägsna hinder som blockerar luftintag eller luftutsläpp.
- Platsen måste vara väl ventilerad, så att enheten kan ta in och ge ifrån sig mycket luft.
- Enheten rekommenderas att installeras på:-
 - En plats som kan bära enhetens vikt och där störljud och vibrationer hålls isolerade.
 - En plats med tillräcklig dränering.
 - En plats där enheten inte kommer att täckas av snö.
 - En plats där luftintag och luftutsläpp inte utsätts för stark vind.
 - En plats där luftutsläppet och driftljudnivån inte kan störa grannarna.
 - Plats där den inte kan kommas åt av allmänheten.

Obs

- För att installera enheten med ekonomisats, följ rekommendationerna som ges i del (B) (iii) enligt kapitel "VALFRIA TILLBEHÖR" i denna handbok.



VARNING

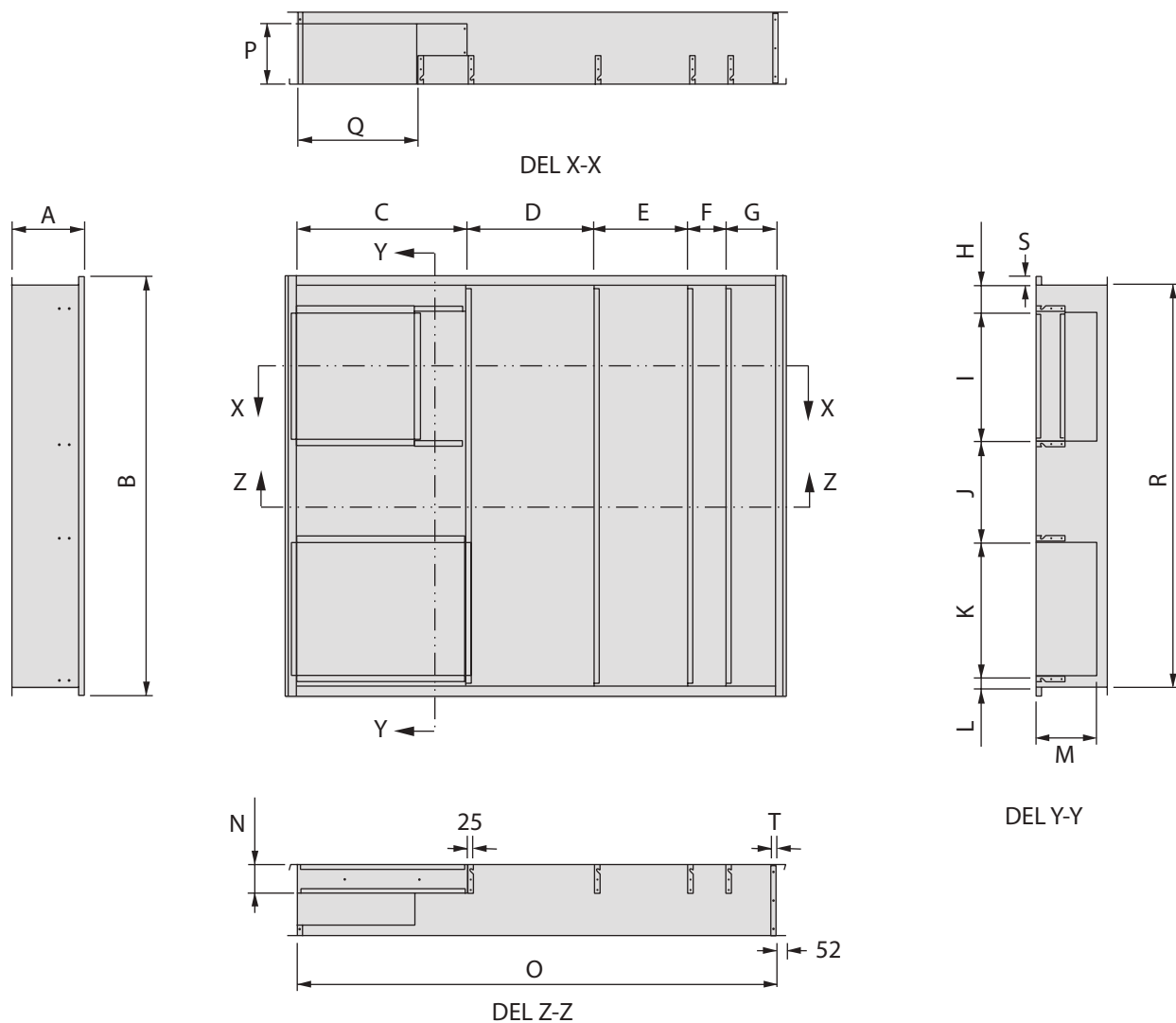
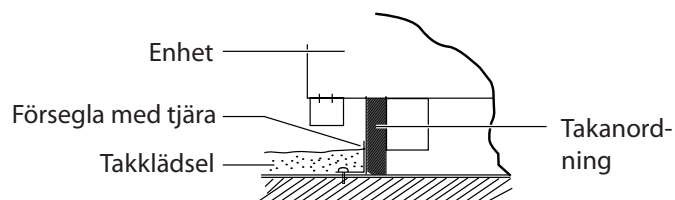
Installera inte enheten på höjder över 2000m.

B Rörkonstruktion

- Enheten är utrustad med tillförsel- och returluftöppningar. Röranslutning till enheten skall utföras med rörfänsar och så att den säkras direkt mot luftöppningarna med anpassningsbara röranslutningar för att undvika att normala störljud släpps igenom.
- För att undvika luftläckage skall alla rörfogar förseglas.
- Rör på utrymmen som inte luftkonditioneras måste vara isolerade.
- Rör som är ledda utomhus måste vara väderskyddade.
- Om rör går in i byggnader genom taket skall öppningen de går in igenom vara förseglad med tätninglist för att undvika regn, sand, damm mm. från att komma in i byggnaden.
- Filter av rätt storlek måste installeras vid returluftsroret.

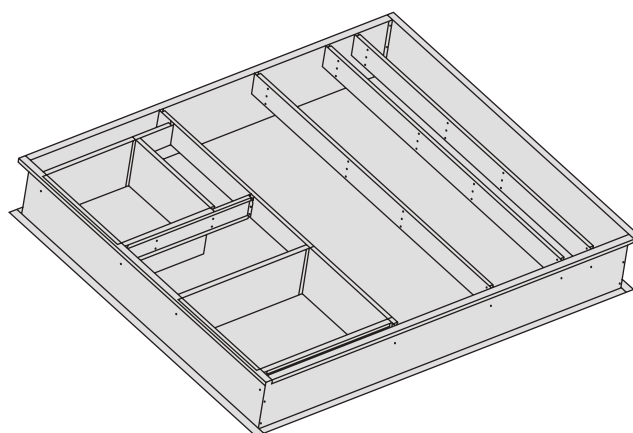
C Enhetsstöd (För nedsänkt enhet endast)

- Bilden visar hur du använder takanordningen för monteringen av dessa enheter på ovsidan av tak.
- Anordningen bör vara förseglad och fäst mot taket med tätningslist. Ett föreslaget sätt att försegla mellan enheten och takanordningen visas till höger.
- Rekommenderade takanordningsmått visas nedan.



Modell (UATYQ)	250	350/450	550/600/700/900
A	355	355	355
B	1506	2081	2081
C	840	700	840
D	315	410	625
E	315	410	462
F	0	0	190
G	314	287	248
H	0	131	131
I	607	600	646
J	322	544	495
K	540	682	676
L	0	42	51
M	300	300	300
N	141	141	141
O	1784	1807	2365
P	300	300	300
Q	481	477	590
R	1469	1998	1998
S	20	41,5	41,5
T	20	41,5	41,5

Obs: Alla mått är i mm

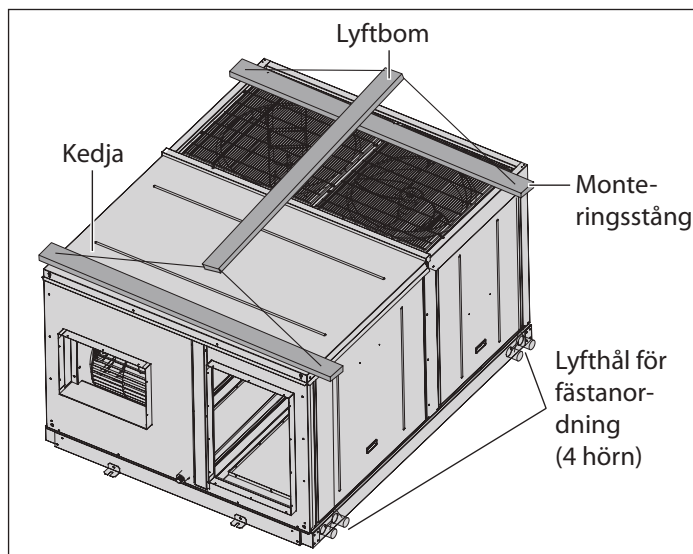


D Lyftande av Enheten

- Hål finns i 4 hörn på enhetens bas för användning vid lyftande av enheten.
- Monteringsstången skall vara lite bredare än enhetens bredd.
- Isolering skall tillföras vid de 4 kedjehålen för att förhindra skada på panelen under lyftande.

Obs

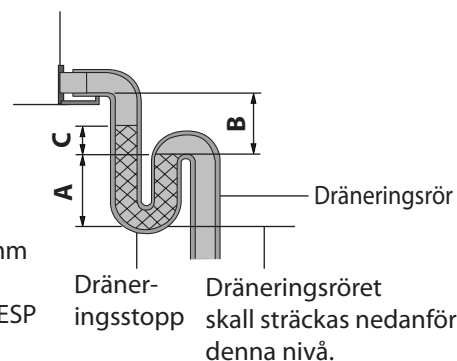
- Enheten som visas i diagrammet är UATYQ250.
- Andra modeller följer samma lyftmetod.



E Dräneringsrör

- En 1" MPT kondensdränerings-anslutningsdel medföljer. Dräneringsröret kan ledas ut på den främre sidan.
- Dräneringsröret måste vara försett med ett stopp på utsidan av enheten och även installerat i en lutning för riktig dränering, så som visas till höger.
- För att förhindra uppkomst av kondens och läckage, förse dräneringsröret med isolering för att skydda mot svettning.
- Då rörledningsarbetet slutförts, kontrollera så att det inte finns något läckage och att vattnet dräneras riktigt.

Dräneringsröret skall ha ett dräneringsstopp.



A \geq 70mm

B \geq 2C

C \geq 2 X ESP

Dräneringsröret skall sträckas nedanför denna nivå.

Obs

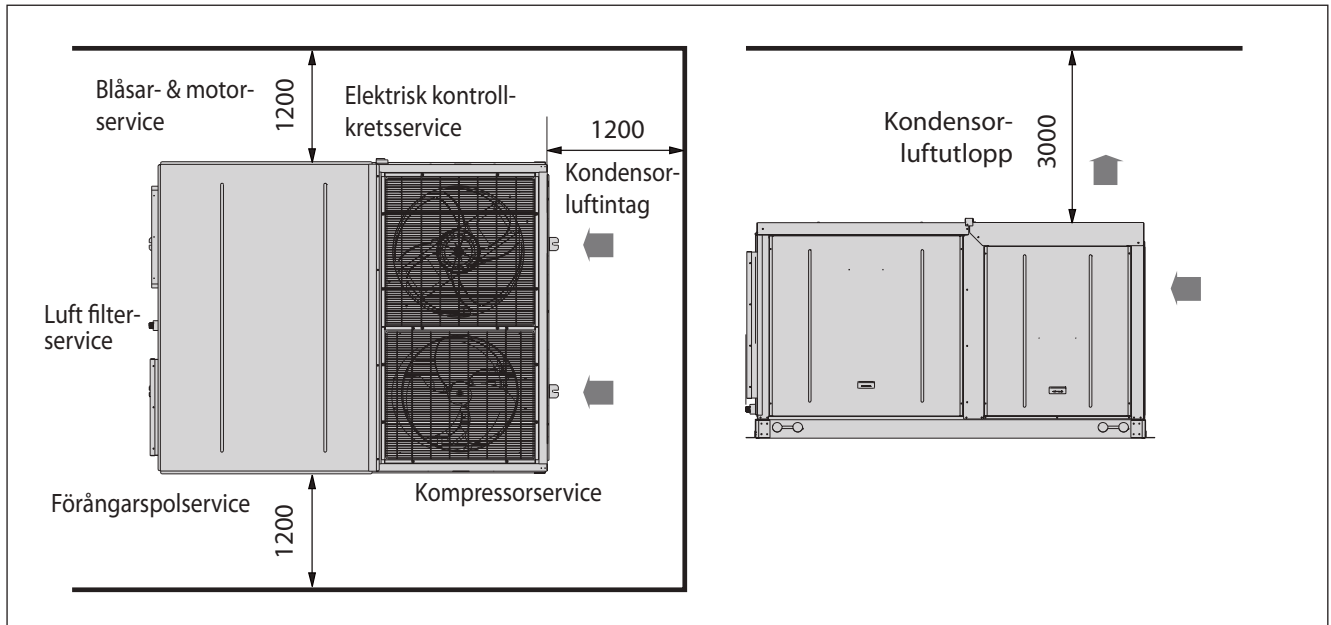
- ESP = Externt Statiskt Tryck

Dräneringsstopp för kondens

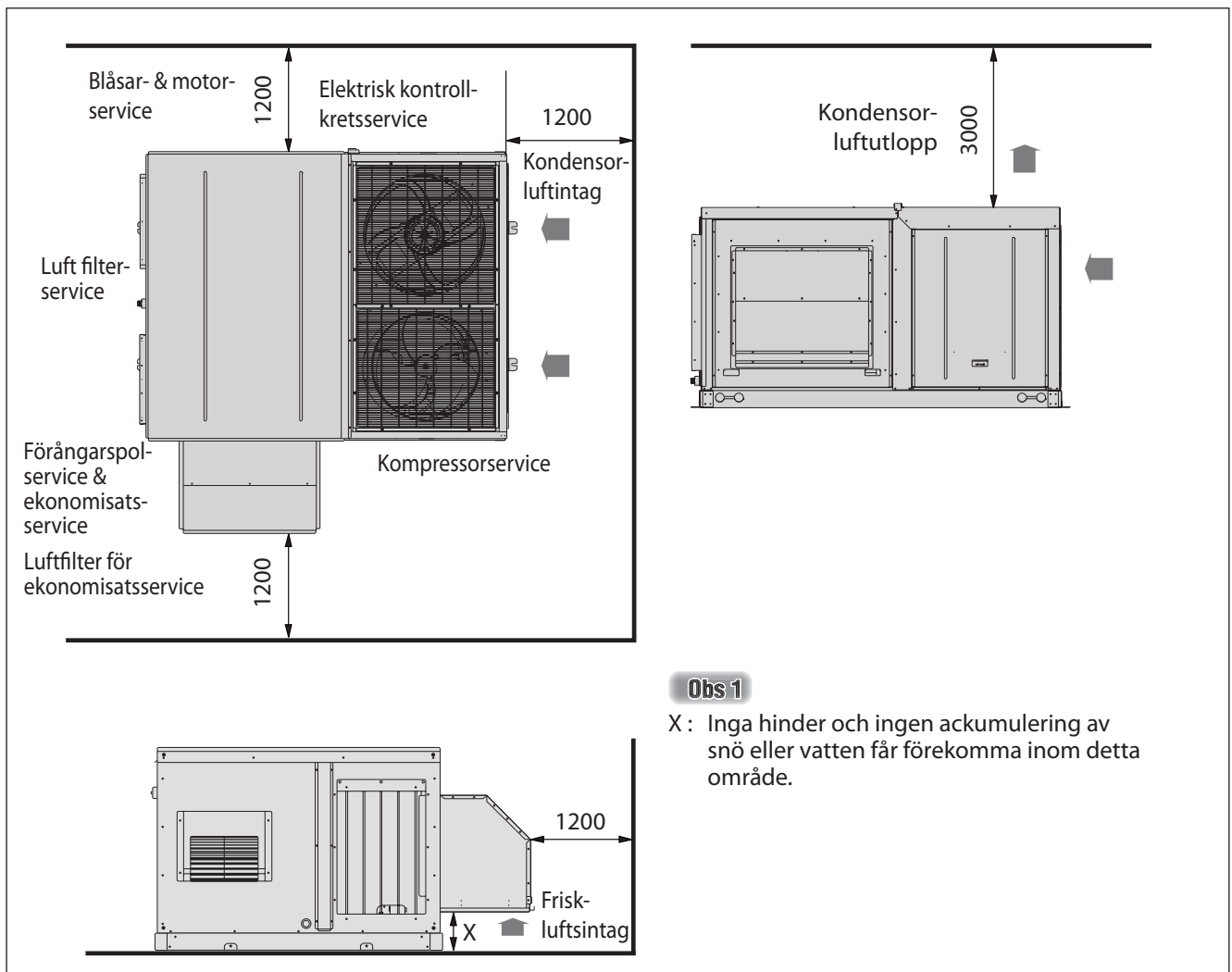
F Utrymme som Behövs Runt Enheten

Se diagrammet nedan för att se vilket utrymme som behövs runt enheten. Observera att:-

- Alla mått som visas är i mm.
- Alla utrymmesvärden som visas är **minsta fria utrymme** som krävs för enheten.
- Enheten som visas i diagrammet är UATYQ250. Andra modeller skall följa samma krav på fritt utrymme.



Ytterligare utrymme eller fritt spelrum krävs när ekonomisatsen installeras. När enheten är utrustad med ekonomisatsen skall det erforderade utrymmet runt enheten med ekonomisatsen följa ritningen nedan:-



Obs 1

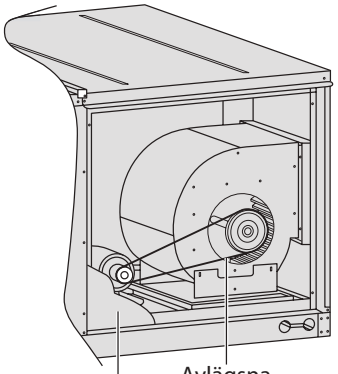
X: Inga hinder och ingen ackumulering av snö eller vatten får förekomma inom detta område.

G Enhetsomvandling

Om standardenhet skall omvandlas till nedåtflödesenhet, följ stegen nedan:

UATYQ250, 350, 450, 550, 600, 700 & 900

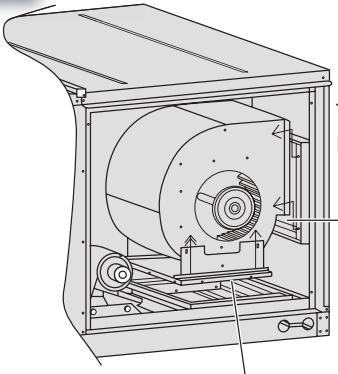
1



Avlägsna sidopanelen

Avlägsna Skivremmen

2



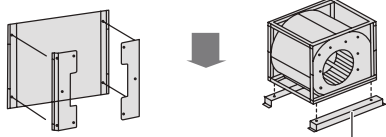
Ta bort skruvarna på båda sidor

Losstagen blåsare

Ta loss blåsarstödet

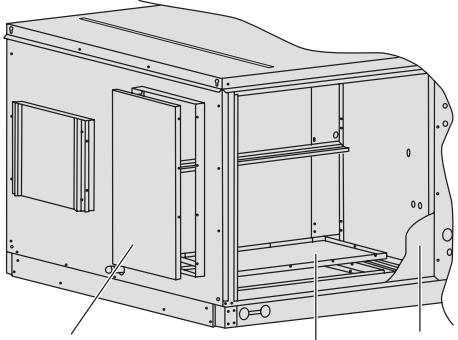
För UATYQ250: De två sidoplattornas skruvning på blåsarstödet är så som visas

För UATYQ250, 350, 450, 550, 600, 700 & 900



De två nedåtflödesstrukturerna skruvas på på blåsaren

4



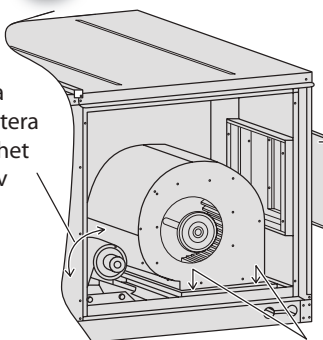
Täck den horisontella returöppningen med höljet och skruva åt tätt. Se Notering 2.

Avlägsna sidopanelen på retursidan

Skruva loss det vertikala returhöljet från baspanelen

Slutligen, installera tillbaka sidopanelen.

3



Installera tillbaka skivremmen. Justera remmens spändhet genom rörelse av motorbasen.

Vänd blåsaren så att den är vänd nedåt. Skruva ur skruvarna på båda sidorna.

Täck den horisontella tillförselöppningen med blåsarstödet som tagits loss från blåsaren och skruva fast hårt. Se Notering 2.

Installera tillbaka skivremmen. Justera remmens spändhet. Slutligen, installera tillbaka sidopanelen. Se Notering 1.

Obs 1

För nedåtflödesomvandling behöver remlängden ändras.

För enhet med standarddrivenhet, remlängd = a mm

Axel till axel-avstånd för nedåtflöde, C-C = b mm

	UATYQ250	UATYQ350	UATYQ450	UATYQ550	UATYQ600	UATYQ700	UATYQ900
a	1432	1457	1382	1500	1500	1500	1500
b	425	430	345	420	420	440	445

Obs 2

Tätningmedel som packning (anskaffas separat) skall placeras mellan metallhöljet och flänsen. Utöver det skall vattentät silikon appliceras vid alla sammanfogningsställen, skruvhål och öppningar för att säkra vattentätet.

Obs 3

Se tekniska data för fläktkurvan och tekniska uppgifter om ställbar remskiva.

FYSISKA DATA

Värmepump (R410A)

Modell		UATYQ250	UATYQ350	UATYQ450	UATYQ550	UATYQ600	UATYQ700	UATYQ900
Köldmedium		R410A						
Köldmedumladdning	kg	6,1	5,8/5,8	7,2/7,2	8,7/8,7	10,4/10,4	11,6/11,6	11,6/11,6
Förångarluftflöde	CFM	3300	4300	5650	6700	7300	8300	9600
	L/S	1557	2029	2667	3162	3445	3917	4531
Externt statiskt tryck	mmAq	15			21			
	Pa	147			206			
Kondensor-luftflöde	CFM	8230	6000/6000	6050/6050	6450/6450	10100/10100	10600/10600	10600/10600
	L/S	3884	2831/2831	2855/2855	3044/3044	4767/4767	5003/5003	5003/5003
Kontroll		Kabelkopplad Takkontroll						
Kontrollkabel längd (Standard/Max) : Storlek	m : mm ²	15 / 100 : 3						
Kompressor (Typ/Kvantitet)		Scroll/1	Scroll/2	Scroll/2	Scroll/2	Scroll/2	Scroll/2	Scroll/2
Luftfilter (Typ/Kvantitet)		Rengöringsbar Saranet/2						
Luftfiltermått (Längd x Bredd x Tjocklek)	mm	880 x 467 x 4	1126 x 385 x 4	1126 x 435 x 4	1497 x 392 x 4	1497 x 495 x 4	1497 x 595 x 4	1497 x 595 x 4

ELEKTRISKA DATA

Värmepump (R410A)

Modell		UATYQ250	UATYQ350	UATYQ450	UATYQ550	UATYQ600	UATYQ700	UATYQ900
Strömtilförsel	V/Ph/Hz	380-415/3N~/50						
Max likström (Komp)	A	26	17/17	19/19	26/26	28/28	29/29	40,0/40,0
Full belastningsström (FLA, Komp)	A	21	12/12	15/15	21/21	22/22	25/25	34,0/34,0
Låst rotorström (LRA, Komp)	A	111	74/74	101/101	111/111	118/118	118/118	174,0/174,0

Utrustningen uppfyller kraven i EN 61000-3-11 och samtliga erforderade förutsättningar för anslutning till strömuttaget skall uppfyllas. Den kan anslutas i samråd med aktuell myndighet för elfrågor. Utrustningen kan endast anslutas till ett strömuttag med en systemimpedans på mindre än det värde som står i tabellen nedan. Systemimpedansen i interfacepunkten kan erhållas från aktuell myndighet för elfrågor.

Modell	Maximal impedans (Z_{max}), ohm
UATYQ250	0,22
UATYQ350	0,23
UATYQ450	0,21
UATYQ550	0,21
UATYQ600	0,21
UATYQ700	0,21
UATYQ900	0,20

Om eluttaget har en högre systemimpedans kan korta spänningsfall inträffa när utrustningen startas eller under drift. Detta kan påverka eller störa driften av andra apparater, t.ex. att lampljus börjar flimra, speciellt de som är anslutna till samma eluttag.

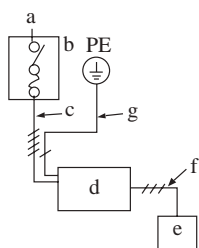
KABELANSLUTNING

- Allt elektriskt arbete måste utföras av behörig elektriker och i enlighet med lokala lagar och bestämmelser.

Metod för anslutning av elkabel

Innan du ansluter kabeln, rådfråga elföretaget i din jurisdiktion.

1. Det fullständiga kabeldragningsdiagrammet för enheten



a	Strömtillförsel
b	Huvudväxlare/säkring (lokal anskaffning)
c	Strömtillförsel-kabel för enhet
d	Enhet
e	Fjärrkontroll
f	Anslutningskabeldragning för enhet & fjärrkontroll
g	Jordning

2. Kabelanslutning till enheten

Led strömkablarna och kontrollkabeln genom de avsedda hålen eller kabelhålen i enheten.

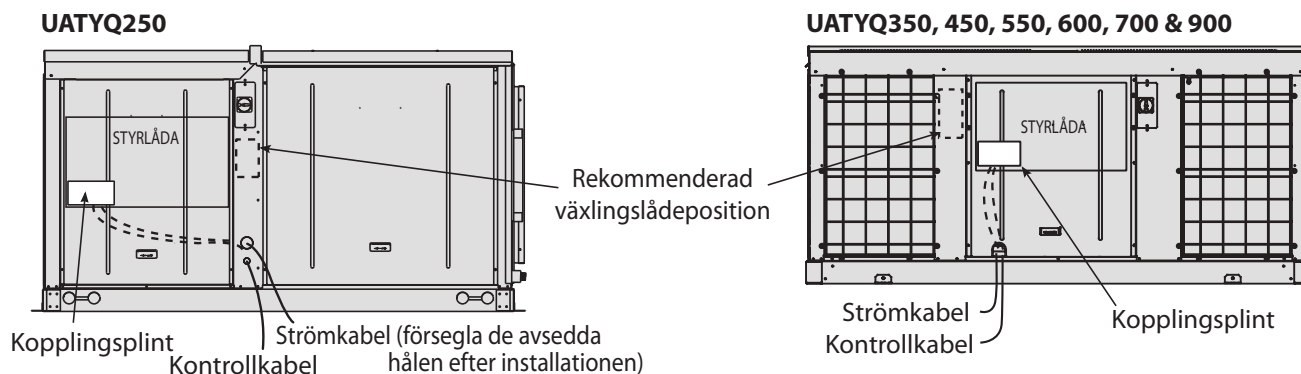
Ta bort servicepanelerna och anslut enhetens strömkablar till kopplingsplinten inuti styrlådan, så som visas.

Använd de löstagbara buntband som ligger i botten av kontrollboxen till att hålla ihop strömkablarna ordentligt.

Obs

Då kretsbrytaren installeras på enheten, se till så att skruvarna inte skadar komponenterna (t.ex. spolen) inuti enheten. Växlingslådan kan även installeras utan fastsättning till enheten.

De avsedda hålen finns bara på UATYQ250; UATYQ350, UATYQ450, UATYQ550, UATYQ600, UATYQ700 & UATYQ900 kommer med ett strömkabelhål.



Kabeldragnings exempel Och Val Av Krets brytare

Modell	Strömkabel (mm ²)	Brytarkapacitet (A)	Överströmskyddsväxlare (A)	Jordkabel (mm ²)
UATYQ250	4	32	32	4
UATYQ350	6	40	40	6
UATYQ450	10	40	40	10
UATYQ550	10	50	50	10
UATYQ600	16	63	63	16
UATYQ700	25	80	80	25
UATYQ900	35	100	100	35

Obs

En huvudväxlare eller annan anordning för urkoppling, med en kontaktseparatoring för alla poler, måste finnas med i den fasta kabeldragningen i enlighet med lokal och nationell lagstiftning.

- Enheten skall kabelanslutas direkt från ett elfördelningskort antingen genom en krets brytare (att föredra) eller HRC-säkring.
- Fäst elkabeln till kontrollmodulen. Anslut kontrollkabeldragningen till styrkopplingsplinten genom styrlådans hål.
- Jordkabel måste anslutas.
- Strömkabeln måste vara likvärdig med H07RN-F vilket är minimikravet, och måste användas i skyddande rör.
- Det måste finnas en allpolig fränkoppling i elnätet med ett kontaktavstånd på minst 3 mm.



VARNING

- Innan arbete utförs med denna enhet, isolera den från strömtilförseln.
- Installation av elektrisk kabeldragning till denna enhet och fjärrkontrollen skall utföras enligt aktuella regler och lagar för kabeldragning.

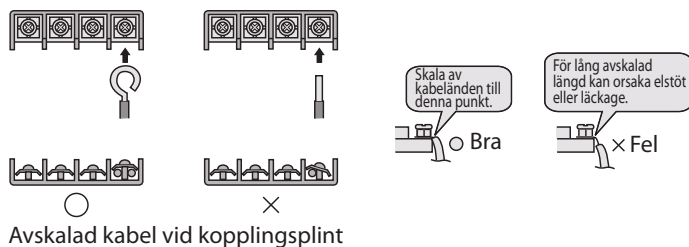
Observera nedan nämnda då du utför kabeldragning till kopplingsplinten. Försiktighetsåtgärder ska vidtas vid elkabeldragning. (Använd en rund krimptypskoppling för anslutning till kopplingsplinten. Ifall sådan inte kan användas av oundvikliga skäl, se till att följa följande instruktion.)

Rund
krimptypskoppling



VARNING

Vid anslutning av anslutningskablarna till kopplingsplinten med en entrådig kabel, se till att ge en kragning. Problem med utförandet kan orsaka hetta och eldsvåda.



- Dra i kabeln för att se så att den inte lossnar och kopplas ur. Fäst sedan kabeln på plats med ett kabelstopp.

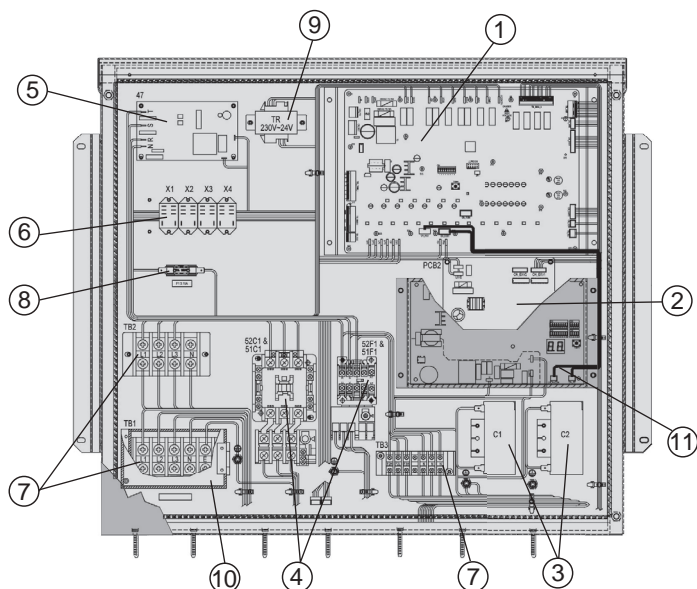


VARNING

- Sändningskabeln måste befinna sig minst 50mm från strömkabeln.
- Sändningskabeln skall vara en avskärmd kabel.

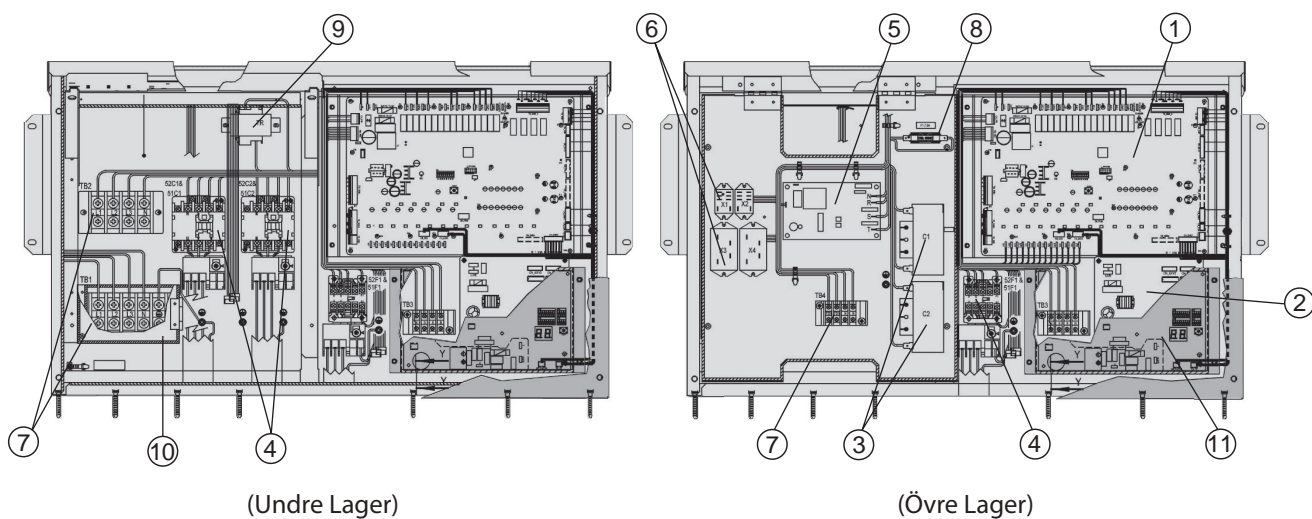
Anordning av kopplingsplintar och komponenter för kontrollenhet är som visas nedan:

A Kontrollmodul UATYQ250

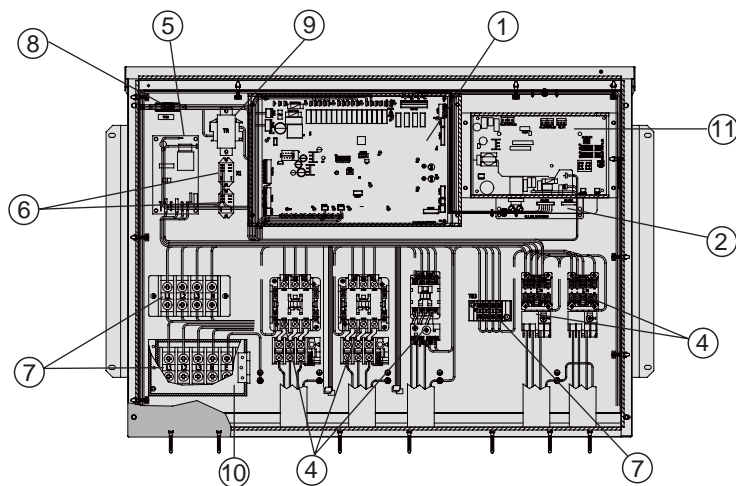


Nr.	Postbeskrivning
1	Kontrollhuvudkort
2	EXV-styrkort
3	Kondensator
4	Kontaktor
5	Fasskydd
6	Relä
7	Kopplingsplint
8	Säkring
9	Transformator
10	Kopplingsplintshölje
11	Ekonomikontrollpanel

B Kontrollmodul UATYQ350/450/550



C Kontrollmodul UATYQ600/700/900



! VARNING

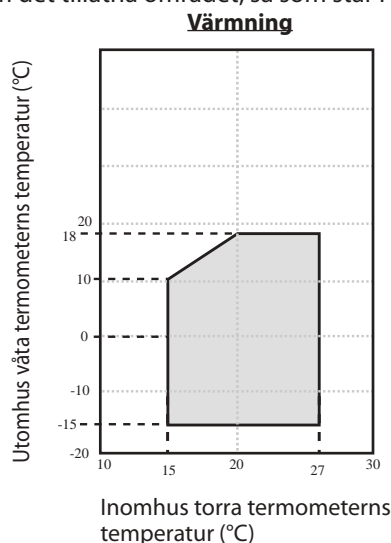
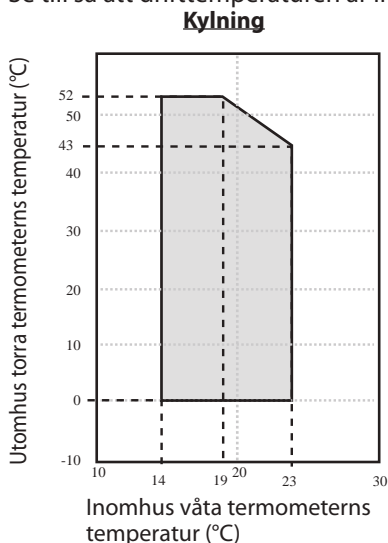
Om inte huvudtillförseln är avstängd, kommer kopplingsplint (TB1) förblir Live när isolatorn är avstängd.

Obs

Punkt 11 (Ekonomisatsens kontrollpanel) skall användas tillsammans med ekonomisatsen som levereras separat som tillbehör.

DRIFTOMRÅDE

Se till så att drifttemperaturen är inom det tillåtna området, så som står i diagrammet nedan:



VARNING

Användning av luftkonditioneraren utanför drifttemperatur- och driftfuktighetsområdet kan resultera i allvarliga fel.

Obs

Se driftområde för enhet med ekonomialternativ i del (E)(vi) i kapitlet "VALFRIA TILLBEHÖR".

DB = torrtemperatur
WB = våttemperatur

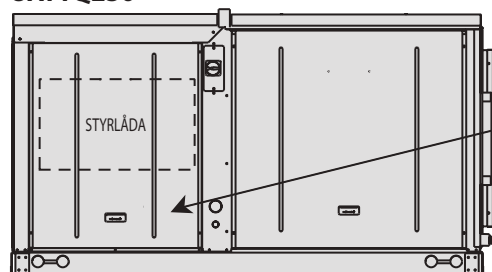
KONTROLLANVÄNDNINGSGUIDE

Enheten är utrustad med ett kontrollhuvudkort, och en kabelkopplad fjärrkontroll är ansluten till kontrollhuvudkortet. Alla inställningar i enheten är förinställda av tillverkaren. Du rekommenderas att inte ändra inställningarna om det inte är nödvändigt eller nämns nedan.

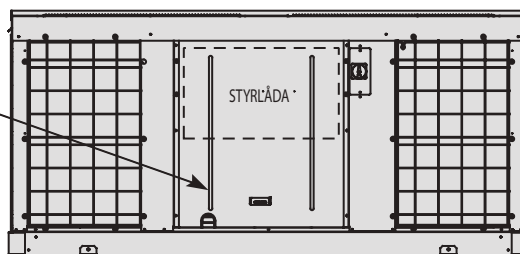
a) Fjärrkontrollplats

Fjärrkontrollen är placerad på ett metallfäste bakom servicepanelen. Den är ihoppackad tillsammans med installationsmanualen.

UATYQ250



UATYQ350, 450, 550, 600 & 700



b) LED-display (Kontrollhuvudkort)

LED:n blinkar när enheten sätts på.

c) LCD-display (Fjärrkontroll)

Under normal drift visar LCD:n kompressorns på/av-status, läge, inställd temperatur och så vidare. Se användarmanualen för närmare användarinstruktioner. LCD:n visar huvudskärmen vid påslagning. Vid tekniska fel visas ett pop-up-meddelande på LCD:n med blinkande bakgrundsljus och "pip"-ljud.

d) Valfria Konfigureringar

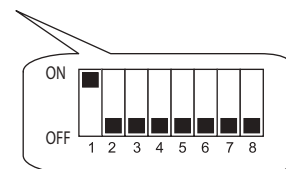
Kontrollhuvudkortet kan användas som interface för termostatkontroll och BMS-system.

(i) Termostatkontroll (TB_THM-I)

- För att använda denna kontroll, ställ in Dipkontakt-inställning: SW1-ON (standard är OFF).
- Följ metoden nedan för termostatkontrollingångar:

G	Y1	Y2	W1	W2	Läge	Drift
0	0	0	0	0	-	Enhet av
1	0	0	0	0	Fläkt	Inomhusfläkt på
X	1	0	X	X	Kylning	1-stegskompressor
X	1	1	X	X	Kylning	2-stegskompressor
X	0	X	1	0	Värmepump/Värmare	1-stegskompressor
X	0	X	1	1	Värmepump/Värmare	2-stegskompressor

Anmärkning: X = Ignorera.



- Se tabellen nedan för installationsrekommendationer:

Ingång	Märkspänning	Märkström	Kabelstorlek
G	24V AC	5mA	AWG18~22
Y1			
Y2			
W1			
W2			

Obs

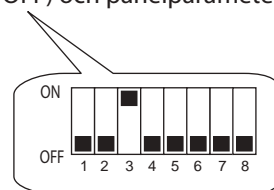
- När kontrollmoderkortet är konfigurerat som termostatkontroll används fjärrkontrollen endast för övervakningsändamål.
- Enheten behöver omstartas (stäng av och sätt på) när dipkontakt-inställning ändras.

(ii) BMS-kontroll (TB_BMS-I)

- För att använda denna kontroll, ställ in Dipkontakt-inställning: SW3 - ON (standard är OFF) och panelparameter G8 till '1' (standard är '0').

Note

- G8 = Kontrolltyp
0 = Panel
1 = BMS
2 = DEC
- För TB_BMS-I finns 3 kontrollgångar: enhet på/av; driftläge (kylning-0/värmning-1); och inställningspunkt (4~20mA).
- Se tabellen nedan för installationsrekommendationer:



Ingång TB_BMS-I	Märkspänning	Märkström	Kabelstorlek
På/Av	24V AC	5mA	AWG18~22
Driftläge	24V AC	5mA	
Kylnings/ Värmningsinställningspunkt	-	4~20mA	

Obs

- När kontrollhuvudkortet är konfigurerat som BMS-kontroll används fjärrkontrollen för övervaknings syften endast.
- Enheten behöver omstartas (stäng av och sätt på) när dipkontakt-inställning ändras.

(iii) Torr kontaktutgång (TB_BMS-O)

- För TB_BMS-O finns 4 övervakningsutgångar: fellarm; utgång1; utgång2; och avfrostningssignal.
- Se tabellen nedan för installationsrekommendationer:

Ingång TB_BMS-O	Märkspänning	Märkström (A)	Kabelstorlek
Larmutgång (AL)	230V AC/125V AC/30V DC	1/3/3	AWG18~22
Utgång1 (O1)	230V AC/125V AC/30V DC	2/3/3	
Utgång2 (O2)	230V AC/125V AC/30V DC	3/3/3	
Avfrostningssignal (DFRT)	230V AC/125V AC/30V DC	4/3/3	

- Signalerna kommer att variera beroende på konfiguration av kontrollmoderkortet, om det är termostatkontroll eller BMS-kontroll.

(1) För termostatkontroll är utgångarna indikerade så som visas i tabellen nedan.

Termostatgång (SW1-ON)					FEL	AVFROSTNING	Larmutgång	Utgång1	Utgång2	Avfrostningssignal
G	Y1	Y2	W1	W2			(AL)	(O1)	(O2)	(DFRT)
0	0	0	0	0	X	X	X	0	0	X
1	0	0	0	0	X	X	X	0	1	X
X	1	0	X	X	X	X	X	1	0	X
X	1	1	X	X	X	X	X	1	0	X
X	0	X	1	0	X	X	X	1	1	X
X	0	X	1	1	X	X	X	1	1	X
X	X	X	X	X	1	X	1	X	X	X
X	X	X	X	X	X	1	X	X	X	1

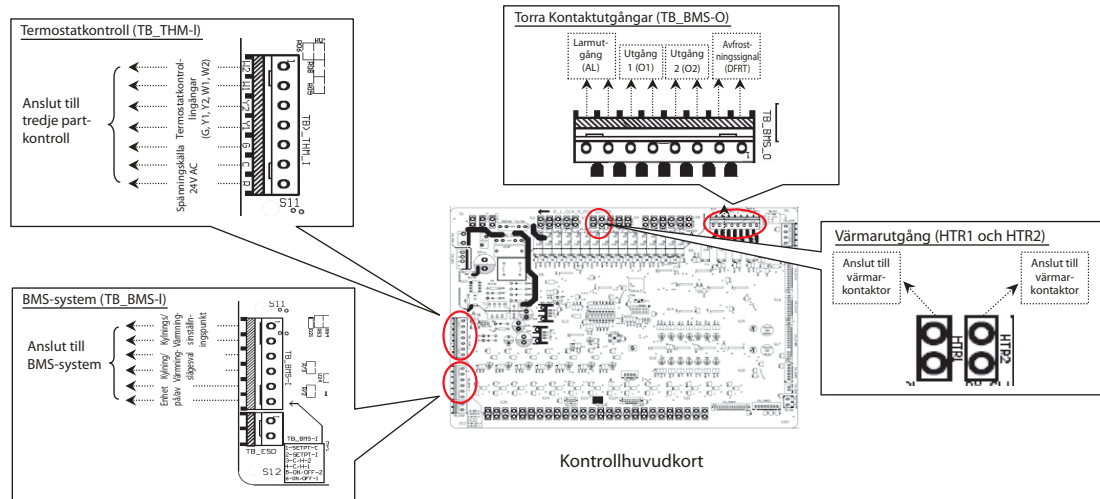
Anmärkning: X = Ignorera.

(2) För BMS-kontroll är utgångarna indikerade så som visas i tabellen nedan.

BMS-ingång (SW3-ON)			FEL	AVFROSTNING	Larmutgång	Utgång1	Utgång2	Avfrostningssignal
PÅ/AV	DRIFTLÄGE	KYLNING/UP- PVARMNINGSIN- STÄLLNINGSPUNKT			(AL)	(O1)	(O2)	(DFRT)
0	0	X	X	X	X	0	0	X
0	1	X	X	X	X	0	1	X
1	0	X	X	X	X	1	0	X
1	1	X	X	X	X	1	1	X
X	X	X	1	X	1	X	X	X
X	X	X	X	1	X	X	X	1

Anmärkning: X = Ignorera.

Diagrammet nedan visar positionen för kopplingsplintar i styrkortet vilka används för termostatkontroll och BMS-system. Utöver detta visas även utgångsstiften för tillsats-elvärmare.



(iv) Tillsats-elvärmartgång (HTR1 och HTR2)

- Det finns två utgångsstift (HTR1 och HTR2) på kontrollhuvudkortet, vilka används för att ge energi till värmarekontaktorn. Kontaktorn måste väljas så att den är i enlighet med dessa för att undvika säkerhetsrisk(er).
- Värmaren skall installeras i enlighet med lokal och nationell lagstiftning. Den måste uppfylla kraven i EN60335-2-40.
- Värmesäkring(ar) skall installeras på värmaren för att förhindra fara eller skada på värmaren/enheten. Detta är speciellt viktigt om det är något tekniskt fel på kontrollhuvudkortet eller blåsaren.
- Värmaren skall finnas på en säker plats, där ingen risk för skada kan ske på enheten.
- Använd icke-antändbara rör till enheten som installeras med värmaren.
- Använd en annan strömkälla till elvärmaren och installera en krets brytare till varje värmare.
- Maximal temperatur i enheten får inte överskrida 60°C. Temperaturmätning skall göras under installation eller systemigångkörning för att säkra att temperaturen inte överskrider detta värde.
- Välj rätt säkerhetsanordning eller värmeskydd enligt vad som behövs.
- Värmaren får aldrig vara installerad inuti enheten. Den rekommenderade platsen för värmaren är inuti tillförselröret, där avståndet för värmaren är tillräckligt för att säkra att temperaturen inuti enheten inte överskrider 60°C.

(v) Ekonomikontroll

- Se till så att ekonomisatsen har byggts in i takovanside-enheten innan du aktiverar ekonomifunktionen på kontrollhuvudkortet. Annars kommer fel att uppstå.
- För att aktivera ekonomifunktionen, ställ in Dipkontakt-inställning: SW4 - ON (standard är OFF) på kontrollhuvudkortet och panelparametern G6 till '1' (standard är '0').

Obs

G6 = Ekonomikontroll
 0 = inaktivera
 1 = aktivera.



- På ekonomistyrkortet finns 4 dipkontakter och 3 shuntkopplingar som ger flexibla valmöjligheter baserat på olika krav:
 - Dipkontakt 1: Minsta friskluftsöppningsinställning i värmingsläge, där valet av olika stift ger olika öppningsinställning. SW1: 5%, SW2: 10%, SW3: 15%, SW4: 20%, SW5: 25%, SW6/7/8: ingen funktion, Standard: 0% (inget val, alla OFF).
 - Dipkontakt 2: Minsta friskluftsöppningsinställning i kylningsläge, där valet av olika stift ger olika öppningsinställning. SW1: 0%, SW2: 5%, SW3: 15%, SW4: 20%, SW5: 25%, SW6/7/8: ingen funktion, Standard: 10% (inget val, alla OFF).
 - Dipkontakt 3: CO₂ PPM-nivå-tröskelvärdesval, där valet av olika stift ger olika värdesinställning. SW1: 25%, SW2: 50%, SW3: 75%, SW4: 100%, Standard: 0% (inget val, alla OFF).
 - Dipkontakt 4: Typ av drift, vilket inkluderar följande val:-
 SW1: OFF = Differentialtemperaturdrift (standard), ON = Ingen funktion här.
 SW2: OFF = Ekonomiläge (standard), ON = Friskluftsläge.
 SW3: OFF = Överkylningsskydd är aktiverat (standard), ON = Överkylningsskydd är inte aktiverat.

Shuntkoppling 1, 2 och 3: Minsta friskluftsöppningsinställning i fläktläge, där valet av olika stift ger olika öppningsinställning. Låt oss kalla shuntkoppling 1 = JP1, shuntkoppling 2 = JP2 och shuntkoppling 3 = JP3; se tabellen nedan för olika friskluftsöppningsval:-

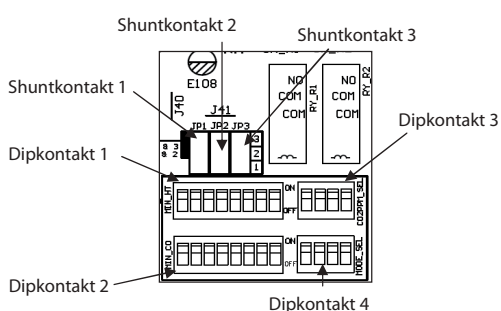
Friskluftsintag (%)	JP1	JP2	JP3
0 (standard)	OFF	OFF	OFF
10	OFF	OFF	ON
20	OFF	ON	OFF
30	OFF	ON	ON
40	ON	OFF	OFF
50	ON	OFF	ON
70	ON	ON	OFF
85	ON	ON	ON

Förklaring: OFF = Kortslutning stift 2 och stift 3
ON = Kortslutning stift 1 och stift 2

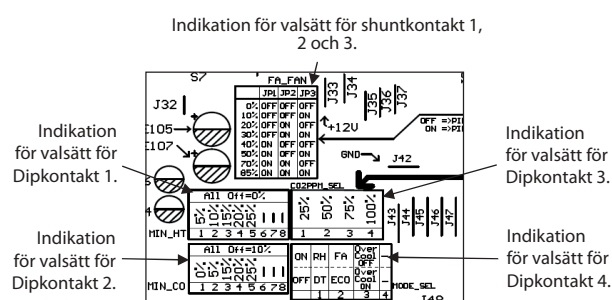
! VARNING

Dipkontakt 1, 2 och 3 tillåter endast 1 stiftval. Flera stiftval orsakar fel och driften går tillbaka till standardinställning. Dipkontakt 4 tillåter däremot flera stiftval.

Plats för dipkontakter och shuntkontakter på ekonomistyrkortet:



Indikation på ekonomistyrkortet:

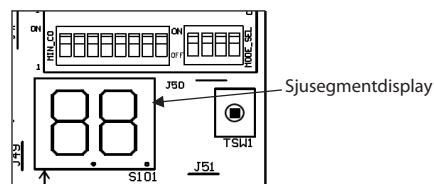


- Det finns två LED:er på ekonomistyrkortet, grön LED och röd LED. Den gröna LED:n blinkar när ekonomistyrkortet sätts på. Den röda LED:n blinkar när ett/(flera) fel förekommer. Se tabellen nedan för felkoder och deras betydelse:-

Felkod	Fel
F0	Friskluftsaktivatorn problem/ fel
F1	Returluftsaktivatorn problem/ fel
F2	Kommunikationsfel
F3	CO ₂ -sensor kortslutning
F4	CO ₂ -sensor öppen
F5	Frisklufts-RH-sensor kortslutning
F6	Frisklufts-RH-sensor öppen
F7	Returlufts-RH-sensor kortslutning
F8	Returlufts-RH-sensor öppen
F9	Aktivering av aktivatorskydd
FA	Flera stiftval för Dipkontakt 1, 2 eller 3

Obs

Felkoderna visas på sjusegmentdisplayen på ekonomistyrkortet.



Obs

Om fel uppstår och det/(de) sedan även kvarstår, vänligen ring auktoriserad lokal återförsäljare/serviceman för felsökning. Men alla fel som uppstår hos ekonomistyrkortet påverkar inte den normala driften för takovanside-enhet.

SERVICE OCH UNDERHÅLL

Obs gäller Turkiet endast: Livslängden på våra produkter är tio (10) år

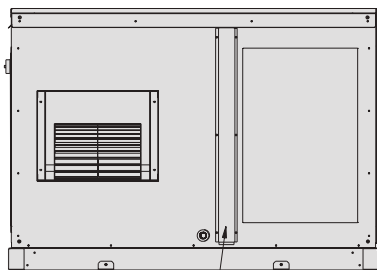
SERVICE AV FILTRET

- Avlägsna eventuellt damm som fastnat på filtret med en dammsugare eller tvätta i ljummet vatten (under 40°C) med neutralt rengöringsmedel.
- Skölj filtret väl och torka innan du sätter tillbaka det på enheten.
- Använd inte bensin, flyktiga eller kemiska ämnen för att rengöra filtret.
- Rengör filtret minst en gång per 2-veckorsperiod. Eller oftare om det behövs.

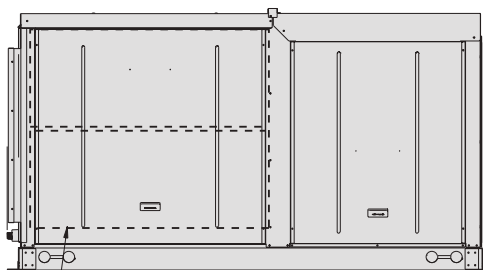
Filterposition

Filtren monteras framför inomhusvärmexlaren.

Enheten som visas i diagrammet är UATYQ250. För andra modeller skall samma metod följas.

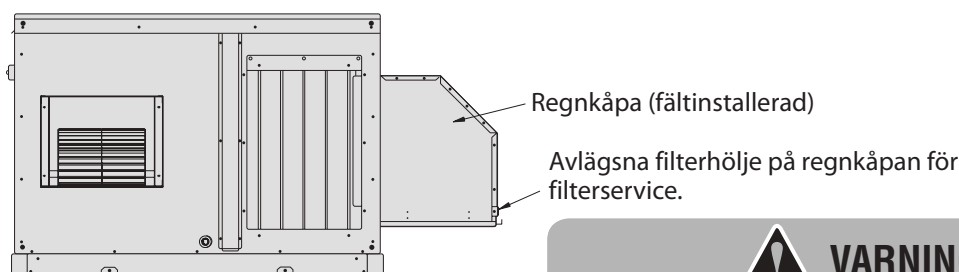


Avlägsna filterhölje för filterservice.



Alternativt, avlägsna servicepanelen för filterservice.

För enhet som installeras ihop med ekonomisats finns det ett ytterligare filter som monteras på regnkåpans botten sida. Enheten som visas på bilden är UATYQ250 + ekonomisats (fältinstallerat). För andra modeller skall samma metod följas.



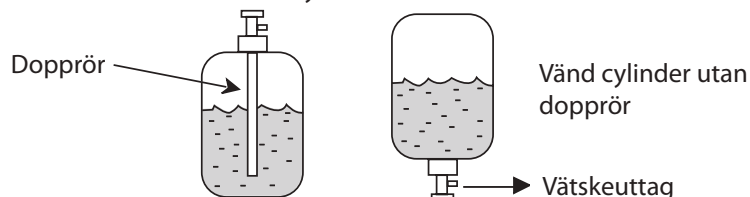
VARNING

Se till så att filtret är rätt placerat och att filterhöljet sitter hårt fast med skruvar efter service för att undvika vattenläckage. Om det behövs skall vattentätt tätningsmedel appliceras för att säkra vattentätthet hos filterhöljet och regnkåpan.

VAKUUMPUMPNING OCH LADDNING

Paketenheter för takovansidor är fabriks-förladdade med tillräckligt med köldmedium. Men det kan finnas behov av återladdning under service- och underhållsarbeten. Därför måste vissa försiktighetsåtgärder vidtas för att säkra optimal och problemfri systemanvändning:

- Systemet bör vakuumsugas noggrant för att säkra att inga inkompressibla gaser eller fukt finns i systemet.
- Använd en vakuumpump för R410A endast. Om du använder samma vakuumpump för olika köldmedier kan det skada vakuumpumpen eller enheten.
- Köldmediet får aldrig släppas ut direkt i miljön.
- När du laddar R410A, se till att endast vätska tas från cylindern eller kannan.



R410A-cylindern eller -kannan är vanligtvis utrustad med ett dopprör för vätskeuttag. Men om dopprör inte finns tillgängligt, vänd cylindern eller kannan för att få vätskan från ventilen i botten.



VARNING

- R410A måste laddas som vätska. R410A-cylindern är vanligtvis utrustad med ett dopprör för vätskeuttag. Om det inte finns något dopprör får du vända cylindern för att få R410A-vätskan från ventilen.
- Fyll inte på fullt vid service av läcka eftersom detta sänker enhetens prestanda. Vakuumsug enheten noggrant och ladda sedan enheten med ny R410A enligt den mängd som rekommenderas i specifikationen.

FELSÖKNING

För eventuella frågor om reservdelar, vänligen kontakta auktoriserad återförsäljare. Om något tekniskt fel på luftkonditionerarenheten märks, kontrollera följande felförhållanden och orsaker för att få några enkla felsökningstips.

Problem	Orsaker	Åtgärd
Enheten är inte igång.	<ul style="list-style-type: none"> ● Strömfel. ● Säkring har gått eller krets brytare har lösts ut. ● Strömförsörjnings-kabelfas inkorrekt. 	<ul style="list-style-type: none"> ▶ ● Tryck på [ON/OFF] efter strömåterställning. ▶ ● Byt ut säkring eller återställ krets brytare. ▶ ● Rätta kabelfasen.
Kompressorn drivs inte 3 minuter efter att enheten startats.	<ul style="list-style-type: none"> ● Skydd mot för ofta utförd start. 	<ul style="list-style-type: none"> ▶ ● Vänta i 3 minuter på att kompressorn ska starta.
Luftflödet är lågt.	<ul style="list-style-type: none"> ● Filtret är fyllt med damm och smuts. ● Det finns hinder vid luftinloppet eller -utloppet på enheterna. 	<ul style="list-style-type: none"> ▶ ● Rengör filtret. ▶ ● Avlägsna hindren.
Kompressorn är i drift oavbrutet.	<ul style="list-style-type: none"> ● Smutsigt luftfilter. ● Temperaturinställningen är för låg (för kylning). ● Temperaturinställningen är för hög (för värmning). 	<ul style="list-style-type: none"> ▶ ● Rengör luftfiltret. ▶ ● Återställ temperaturen.
Ingen kall luft ges under kylningscykeln, eller ingen varm luft ges under värmningscykeln.	<ul style="list-style-type: none"> ● Temperaturinställningen är för hög (för kylning). ● Temperaturinställningen är för låg (för värmning). 	<ul style="list-style-type: none"> ▶ ● Ställ in lägre temperatur. ▶ ● Ställ in högre temperatur.
Under värmningscykeln ges ingen luft (UATYQ250). Eller, luften som ges är inte tillräckligt varm (UATYQ350/450/550/600/700/900).	<ul style="list-style-type: none"> ● Enheten är i avfrostningscykeln. 	<ul style="list-style-type: none"> ▶ Vänta en stund. (Återupptagning sker efter avfrostning.)

Om felet kvarstår, vänligen ring auktoriserad lokal återförsäljare/serviceman.

EKONOMISATS

A Inledning

Ekonomisats är ett tillbehör tillhandahållet av fabriken, men kräver installation på plats. Ekonomisats är kompatibel med R410A takmodeller. Om du är osäker på om denna sats kan användas med din enhet, kontakta auktoriserad serviceavdelning. Ekonomisatsen tillåter att uteluft blandas med returluftintag för "gratis" kylning om utomhustemperaturen är lämplig. Ekonomiskylning kan användas enbart eller i kombination med mekanisk kylning. Förutom det kan ekonomisatsen användas för att tillhandahålla ventilationsluft vilket kan förbättra inomhusluftens kvalitet. Det är viktigt att göra ett korrekt urval av ekonomisats, se tabellen nedan för urvalsriktlinjer:

Nr.	Takenhet	Ekonomisats kompatibel med takenhet
1	UATYQ250	ECONO250
2	UATYQ350	ECONO350
3	UATYQ450	ECONO450
4	UATYQ550	ECONO550
5	UATYQ600	ECONO600
6	UATYQ700	ECONO700
7	UATYQ900	ECONO900

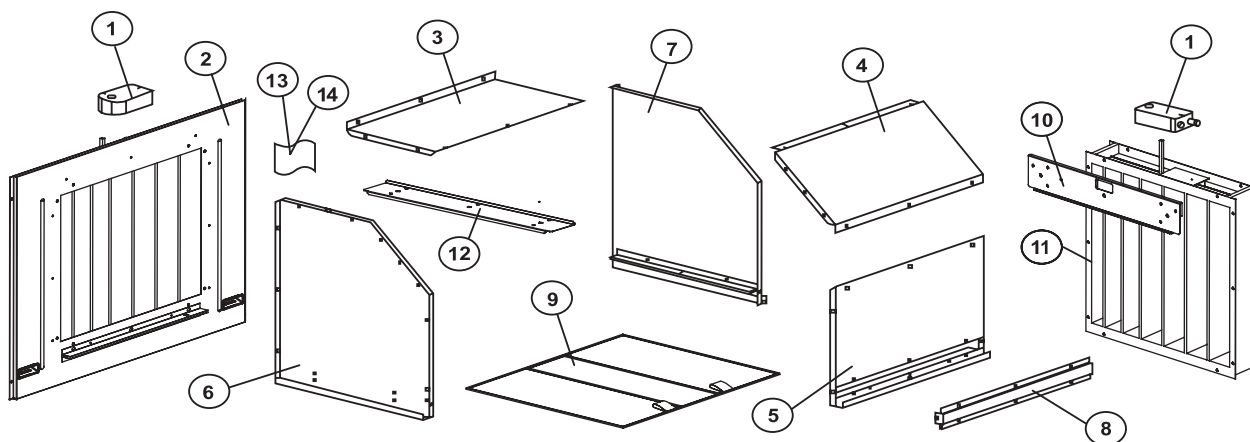
Obs

Fel val kan orsaka att satsen inte kan monteras med takenheten.

B Kontroll före installation

(i) Innehållet i ekonomisatsen

Före installationen rekommenderas det att kontrollera innehållet i ekonomisatsen efter att emballaget avlägsnats. Satsen innehåller följande komponenter:

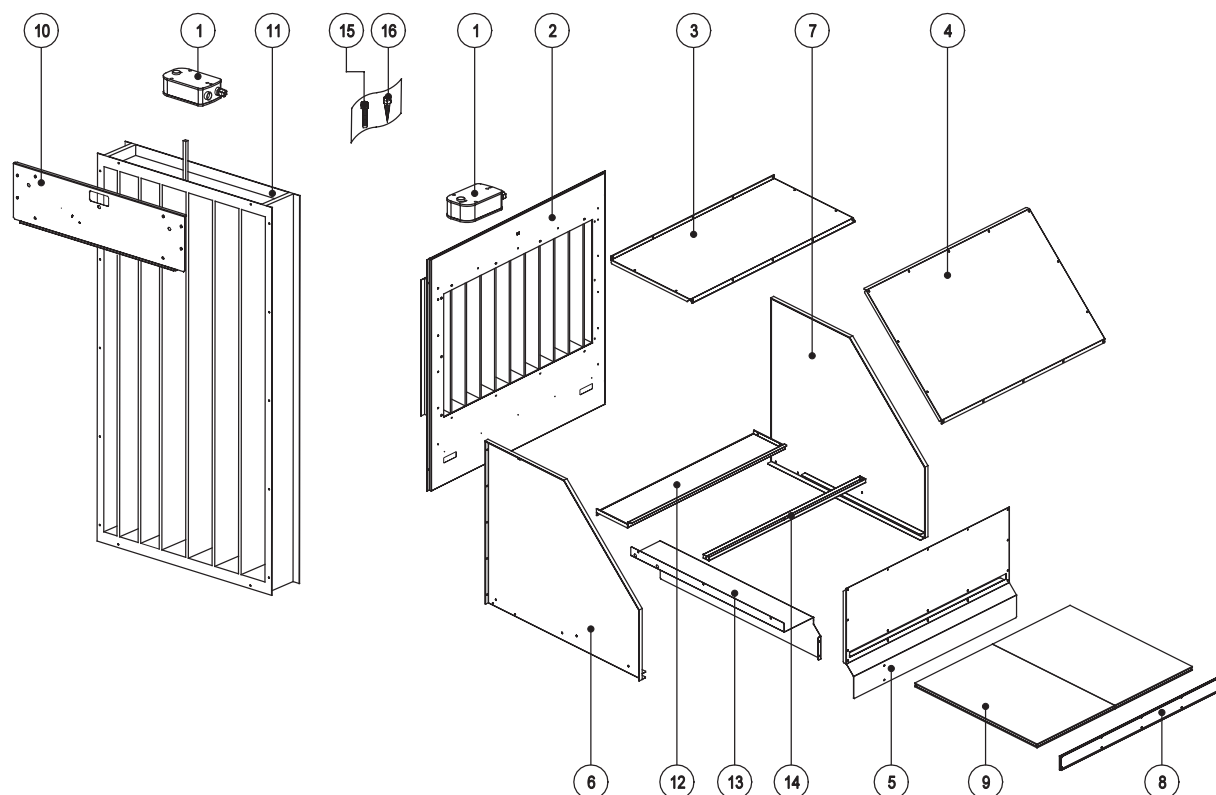


Nr.	Postbeskrivning	Kvantitet (set)
1	Belimo ställdon, LF24-SR 2	2
2	Sidopanel med uteluftspjäll	1
3	Skydd, övre panel	1
4	Skydd, mittpanel	1
5	Skydd, bottenpanel	1
6	Skydd, sidopanel vänster	1
7	Skydd, sidopanel höger	1

Nr.	Postbeskrivning	Kvantitet (set)
8	Filterhölje	1
9	Filter	1
10	Fäste, returluftspjäll	1
11	Returluftspjäll	1
12	Fäste, nedåttflöde	1
13	Skruv, M5x16	55
14	Skruv, M4x12	4

* Stödhållare, nedsänkt modell (föremål 12) är inte tillgängligt för ECONO700.

(ii) Innehållet i ekonomisatsen UATY900



Nr.	Postbeskrivning	Kvantitet (set)
1	Belimo ställdon, LF24-SR 2	2
2	Sidopanel med uteluftspjäll	1
3	Skydd, övre panel	1
4	Skydd, mittpanel	1
5	Skydd, frontpanel	1
6	Skydd, sidopanel vänster	1
7	Skydd, sidopanel höger	1
8	Filterhölje	1

Nr.	Postbeskrivning	Kvantitet (set)
9	Filter	1
10	Fäste, returluftspjäll	1
11	Returluftspjäll	1
12	Skydd, bottenpanel	1
13	Flange, Luft Skydd 1	1
14	Stöd Filter	1
15	Skruv, M5x16	97
16	Skruv, M4x12	4

Obs

Kontakta auktoriserad serviceavdelning, om tillbehören är skadade eller ofullständiga.

(iii) **Enhetens frigång**

Lämna tillräckligt utrymme för luftflöde, service och ledningar efter att satsen är monterad på enheten. Det får inte finnas något hinder för luftflöde i detta utrymme. Se del (F) under kapitlet "INSTALLATION AV ENHETEN" i denna handbok. Underlåtenhet att göra detta kan orsaka lågt luftflöde eller fel på enheten.

(iv) Installationsplats

Följ rekommendationerna som ges i del (A) under kapitlet "INSTALLATION AV ENHETEN" i denna handbok. Dessutom finns ett behov av att överväga installationsförhållandena runt satsen såsom:

- Regnskyddets frigång från golvet skall aldrig ackumulera någon snö eller vatten.
- Friskluftsintaget är inte vänt i den rådande vindriktningen.
- Uteluften skall alltid vara ren och luktlös, uppfylla gränsvärdet för koncentration av flera föroreningar enligt lokala normer, och inte överstiga gränsvärdet (TLV) för giftighet angivet i lokala normer.

(v) Spjällfunktion

Kontrollera de två spjällen i ekonomisatsen, som är punkt 2 och 11 genom att vrida spjällets axel +90° och -90° (fullt öppet till helt stängt eller vice versa). Vridningen av spjället skall gå enkelt och lätt. Eventuella skador eller avvikelser skall rapporteras till auktoriserad serviceavdelning.

C Verktyg och material som krävs för installation

- | | |
|----------------------------------------------|-------------------------------------------------------|
| (i) Elektrisk skruvmejsel med diverse hylsor | (vii) Skiftnyckel (liten storlek) |
| (ii) Elektrisk bormaskin med diverse hylsor | (viii) Kofot och hammare |
| (iii) Liten platt skruvmejsel | (ix) Väderbeständigt tätningsmaterial (t.ex. silikon) |
| (iv) Kniv | (x) Packning |
| (v) Stjärnskruvmejsel | (xi) Säkerhetsläsflik |
| (vi) Måttband eller linjal | (xii) Buntband |

D Riktlinjer för installation

(i) Montering för sidoutblås (horisontellt)

STEG 1

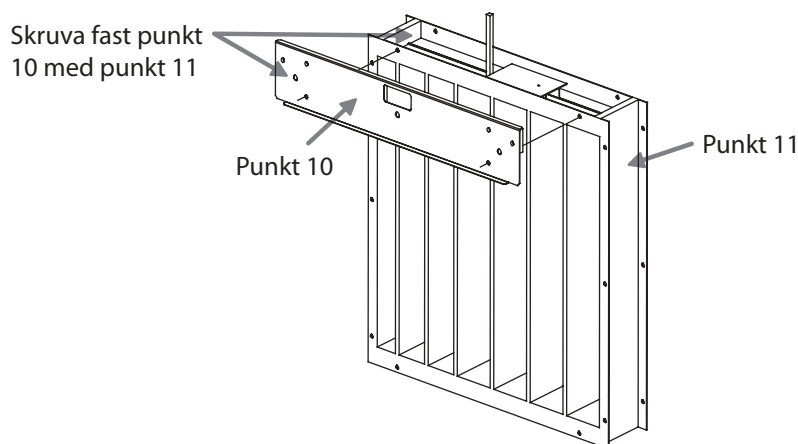
- Bryt strömförsörjningen till enheten och installera en säkerhetsläsflik före installation, driftsättning eller service av ekonomienheten. Förbered alla verktyg som krävs enligt ovan.

STEG 2

- Packa upp trälådan med ekonomisatsen med hjälp av kofot och hammare. Ta sedan bort påsarna som innehåller lösa delar och fästelement med hjälp av kniven. Utför kontroll före installation enligt ovan.

STEG 3

- Montera fästet, returluftspjäll (punkt 10) med returluftspjäll (punkt 11) med hjälp av skruv M5x16 (punkt 13) som medföljer satsen.



STEG 4

- Montera 1st Belimo ställdon, LF24-SR (punkt 1) märkt "RA" med returluftspjäll (punkt 11). Rikta in och för in hålet på ställdonet mot spjällets axel.



VARNING 1

Standardinställningen för returluftspjället (punkt 11) skall vara helt öppen. Säkerställ att detta spjället är i "helt öppen" position innan montering av ställdonet. Underlåtenhet att göra detta kan orsaka fel under enhetens normaldrift.

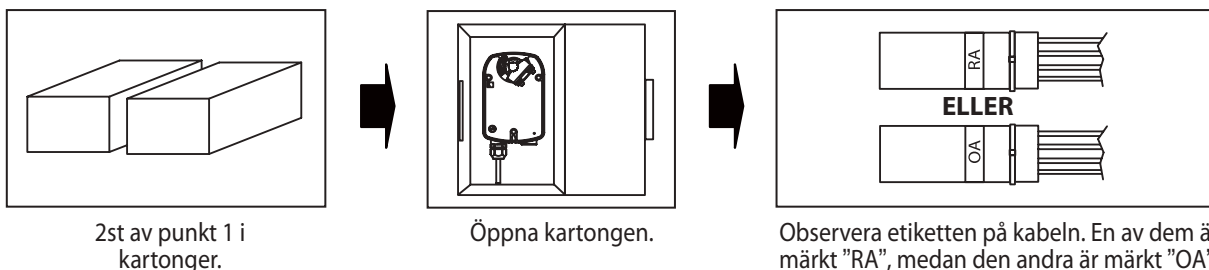


VARNING 2

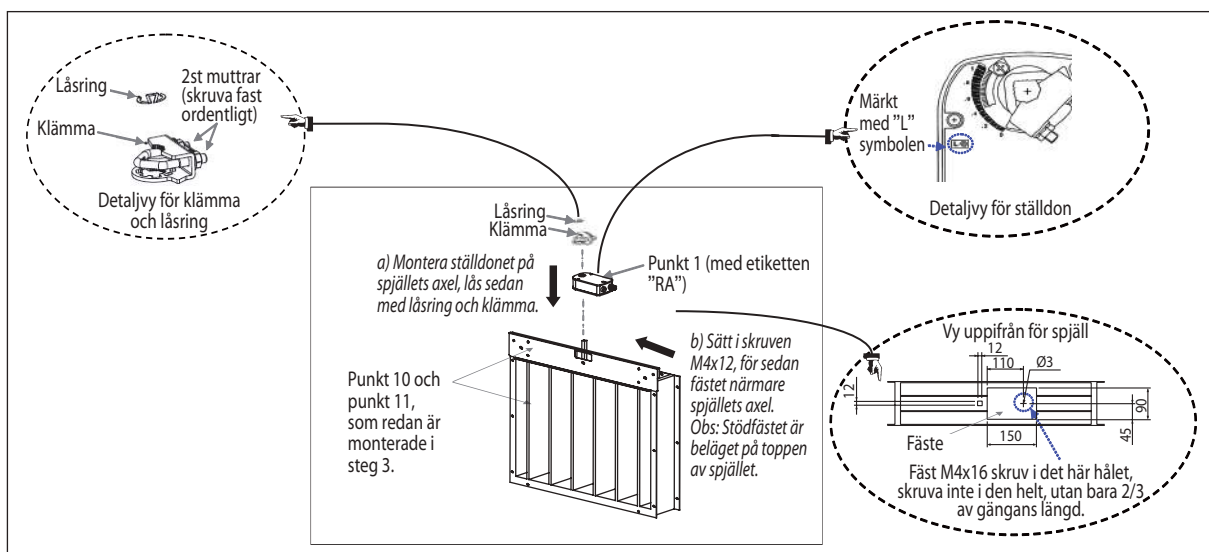
Ytan på ställdonet som är vänd uppåt/ utomhus skall vara märkt med "L" symbolen för att säkerställa rotationen av ställdonsmoduleringen medurs. Underlåtenhet att göra detta kan orsaka fel under enhetens ekonomidrift.

Obs

Det finns 2st Belimo ställdon, LF24-SR (punkt 1) i ekonomisatsen som levereras tillsammans i kartonger. Öppna kartongerna och observera etiketten på kabeln. Ställdonet som används i steg 4 är det med etiketten "RA".



- Fäst sedan 1st skruv M4x12 (punkt 14) på fästet i spjället. Skruva inte i skruven helt, bara upp till 2/3 av gängans längd. Montera ställdonet på fästet genom att föra fästet närmare spjällets axel. Funktionen för skruv M4x12 är att låsa ställdonet från att glida under modulering.
- Därefter, sätt klämmen i axeln och lås ställdonet med låsringen. Spänn klämmans muttrar ordentligt med skiftnyckel. Notera att klämma och låsring medföljer ställdonet som standarddelar, du kan hitta dessa delar inuti ställdonslådan.



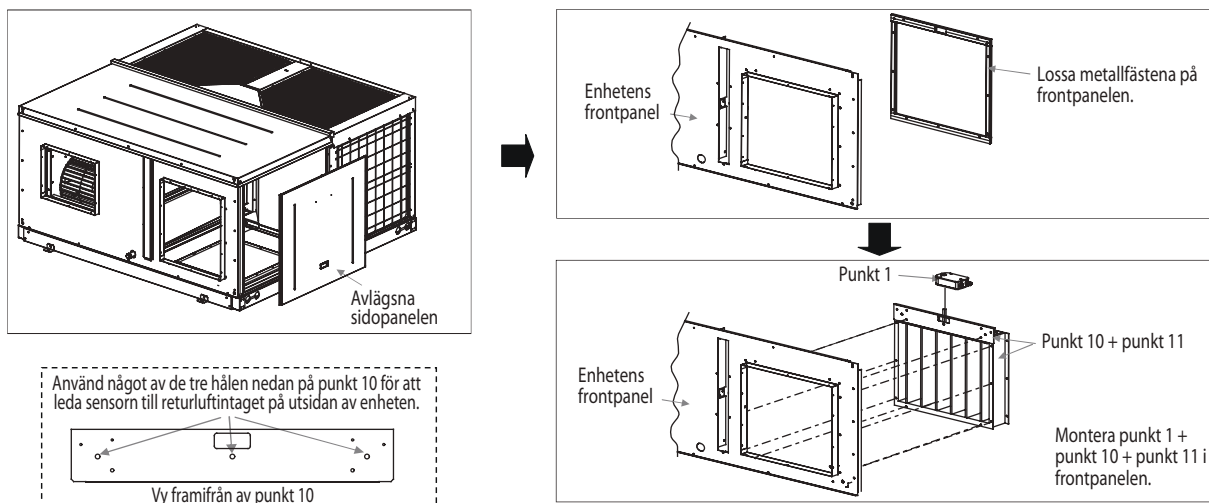
STEG 5

- Avlägsna sidopanelen Ta sedan bort 4st metallhållare på frontpanelen. Installera returluftspjäll (punkt 11) + fästet, returluftspjäll (punkt 10) + Belimo ställdon, LF24-SR (punkt 1) som redan monterats i steg 3 och 4 i enhetens frontpanel genom att använda samma skruvhål. Använd skruv M5x16 (punkt 13) för fastsättning.



VARNING

Utvidga returluftssensorn som är placerad inuti enheten (över returluftintagsöppningen) till utsidan av enheten. Detta kan göras genom att leda sensorn genom små hål på fästet, returluftspjäll (punkt 10). Sensorn är då korrekt placerad inuti returluftkanalen genom att använda buntband (medföljer ej). Att inte göra detta kan påverka enhetens prestanda och orsaka termiskt obehag för användarna.



STEG 6

- Montera 1st Belimo ställdon, LF24-SR (punkt 1) märkt "OA" vid sidopanelen med utomhusluftspjället (punkt 2). Rikta in och för in hålet på ställdonet mot spjällets axel.



VARNING 1

Standardinställningen för utomhusluftspjället (punkt 2) skall vara helt stängd. Säkerställ att detta spjället är i "helt stängd" position innan montering av ställdonet. Underlåtenhet att göra detta kan orsaka fel under enhetens normaldrift.

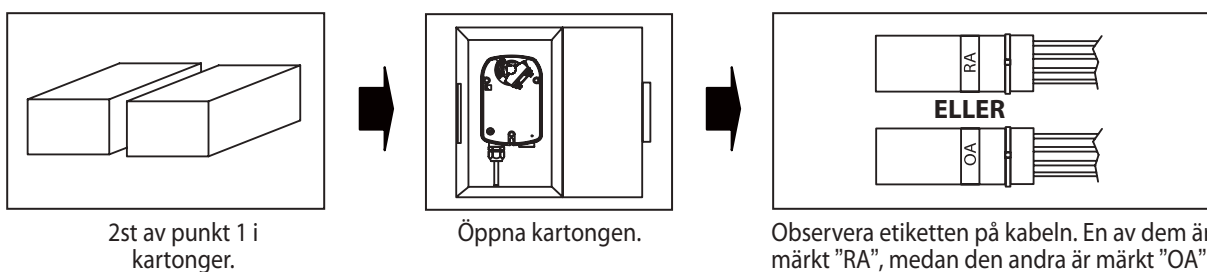


VARNING 2

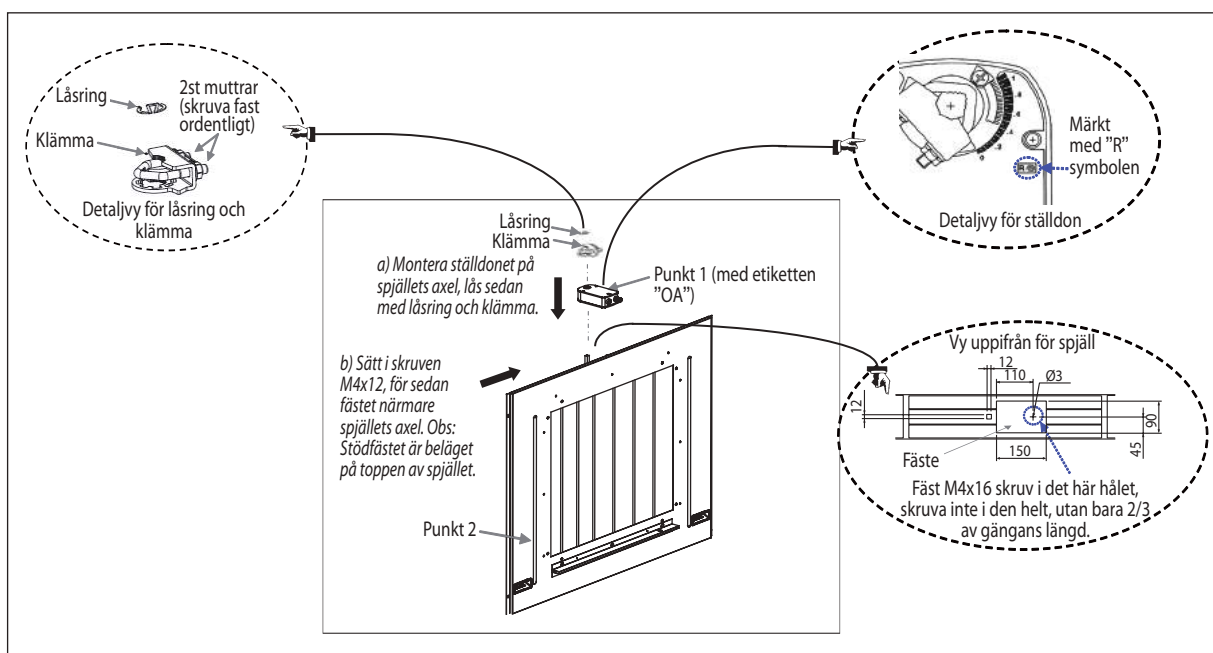
Ytan på ställdonet som är vänd uppåt/ utomhus skall vara märkt med "R" symbolen för att säkerställa rotationen av ställdonsmoduleringen moturs. Underlåtenhet att göra detta kan orsaka fel under enhetens ekonomidrift.

Obs

Det finns 2st Belimo ställdon, LF24-SR (punkt 1) i ekonomisatsen som levereras tillsammans i kartonger. Öppna kartongerna och observera etiketten på kabeln. Ställdonet som används i steg 6 är det med etiketten "OA".



- Fäst sedan 1st skruv M4x12 (punkt 14) på fästet i spjället. Skruva inte i skruven helt, bara upp till 2/3 av gängans längd. Montera ställdonet på fästet genom att föra fästet närmare spjällets axel. Funktionen för skruv M4x12 är att låsa ställdonet från att glida under modulering.
- Därefter, sätt klämman i axeln och lås ställdonet med låsringen. Spänn klämmans muttrar ordentligt med skiftnyckel. Notera att klämma och låsring medföljer ställdonet som standarddelar, du kan hitta dessa delar inuti ställdonslådan.

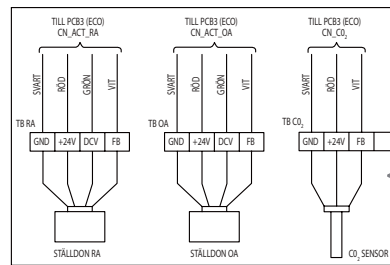


STEG 7

- Anslut Belimo ställdon, LF24-SR (punkt 1) med etiketten "RA", som nu finns på monteringsspjället på frontpanelen till plinten med etiketten "RA" inuti kopplingsdosan.
- Det finns fyra kablar på ställdonet med olika färger (svart, röd, grön och vit färg). Anslut kablarna enligt nedan:

- Svart kabel - anslut till första polen på plinten med etiketten "GND".
- Röd kabel - anslut till andra polen på plinten med etiketten "+24V".
- Grön kabel - anslut till tredje polen på plinten med etiketten "DCV".
- Vit kabel - anslut till fjärde polen på plinten med etiketten "FB".

(Ni kan hänvisa till kopplingschemadekalen som finns på frontpanelen på kopplingsdosan.)



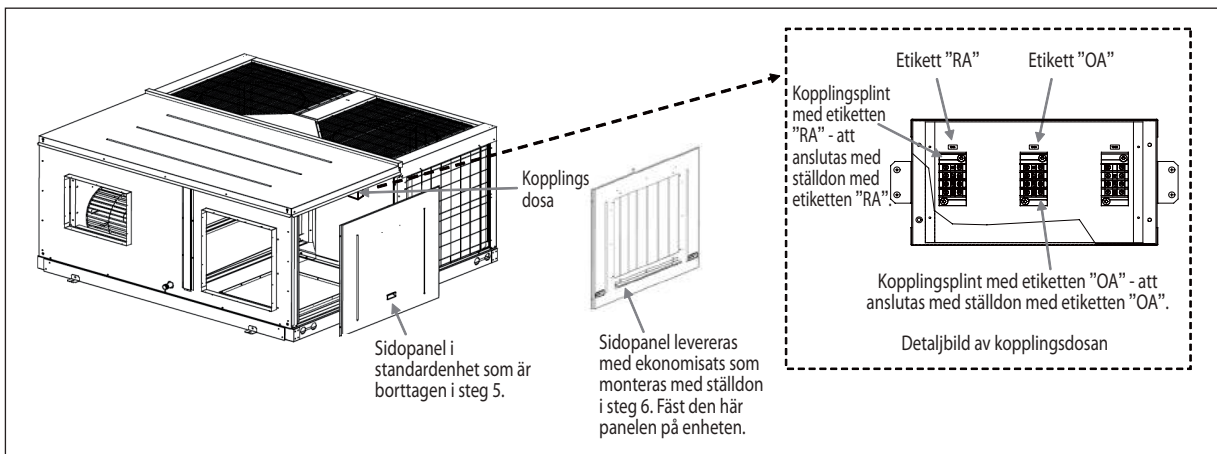
Kopplingschemadekalen som finns på frontpanelen på kopplingsdosan



VARNING

Felaktig kabelanslutning kan orsaka fel på ställdonet eller ekonomisatsens styrkort eller båda. Förbind kablarna med löstagbara buntband under kopplingsdosan.

- Anslut sedan Belimo ställdon, LF24-SR (punkt 1) med etiketten "OA", som nu finns på monteringsspjället på sidopanelen till plinten med etiketten "OA" inuti samma kopplingsdosa. Följ samma metod som användes för kabelanslutning mellan ställdon "RA" och plinten "RA". Därefter fästs sidopanelen till enheten. Du kan behöva bunta ihop ställdonskablar ordentligt med hjälp av buntband (medföljer ej) innan du fäster sidopanelen till enheten.



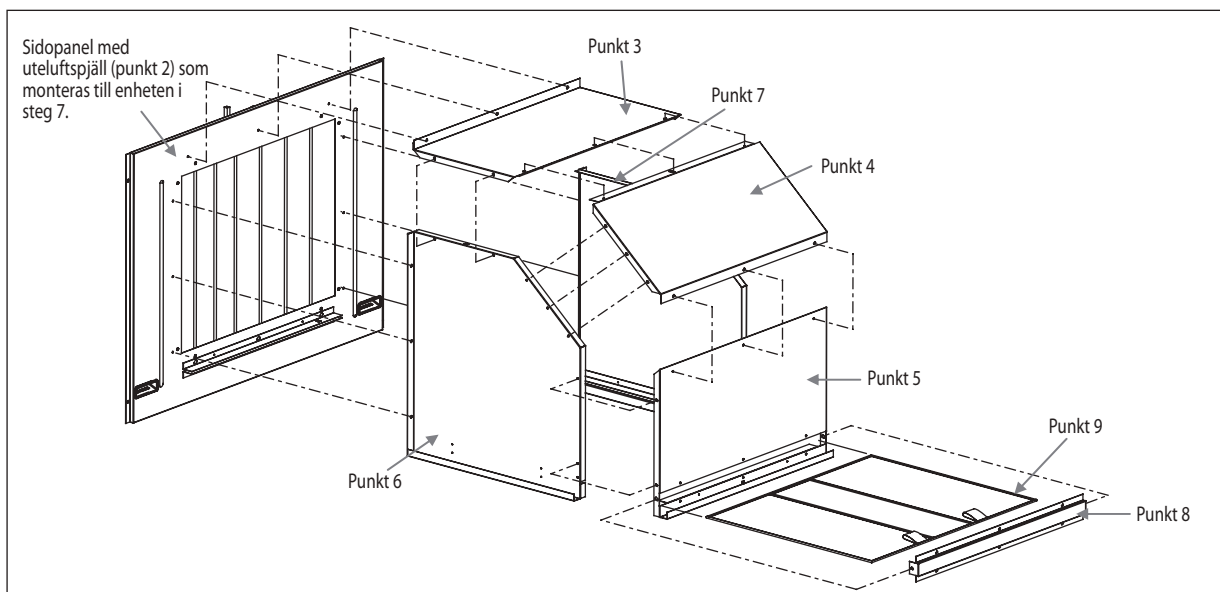
STEG 8

- Att bygga regnskydd, installera lösa delar (metalldelar) till sidopanelen. Innan dess, placera packningen (medföljer ej) på sidopanelen för förseglingsändamål.
- Följ sedan installationssekvensen nedan för att bygga regnskyddet:

Modell : UATYQ 250, 350, 450, 550, 600, 700

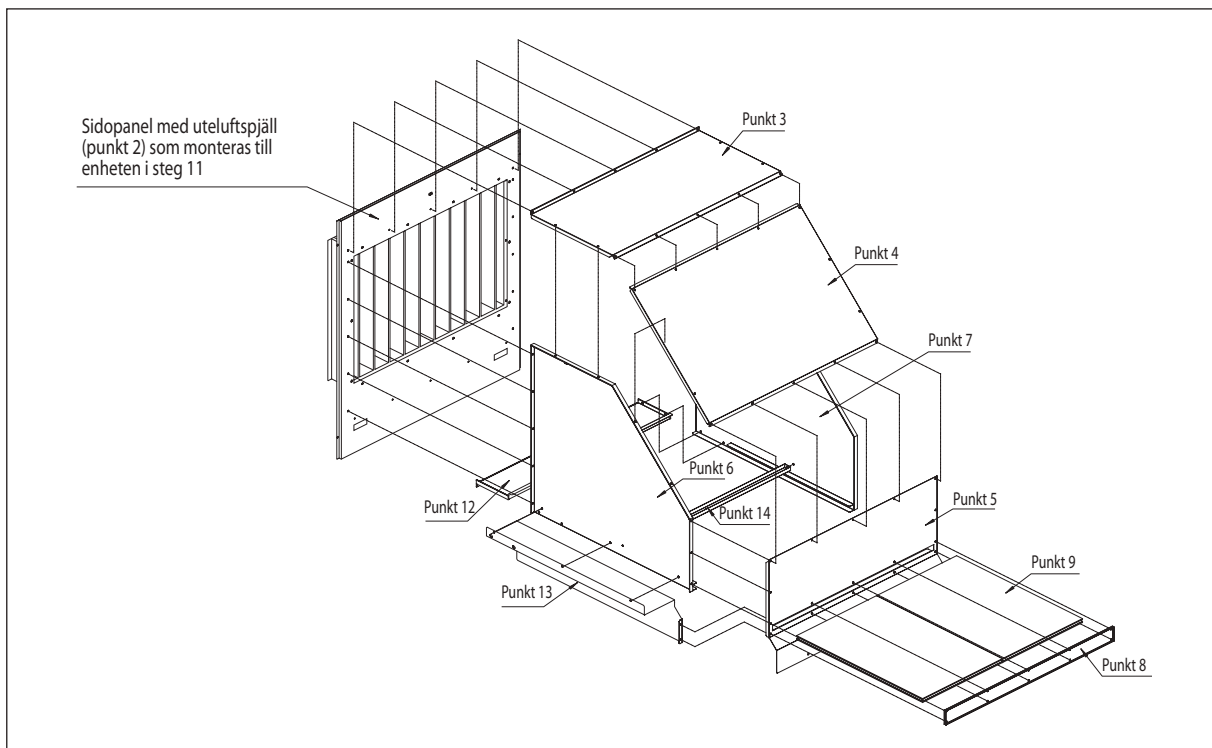
Packning

Punkt 2 -----> Punkt 6 -----> Punkt 7 -----> Punkt 3 -----> Punkt 4 -----> Punkt 5 -----> Punkt 9 -----> Punkt 8 -----> Tätningsmedel



Modell : UATYQ 900

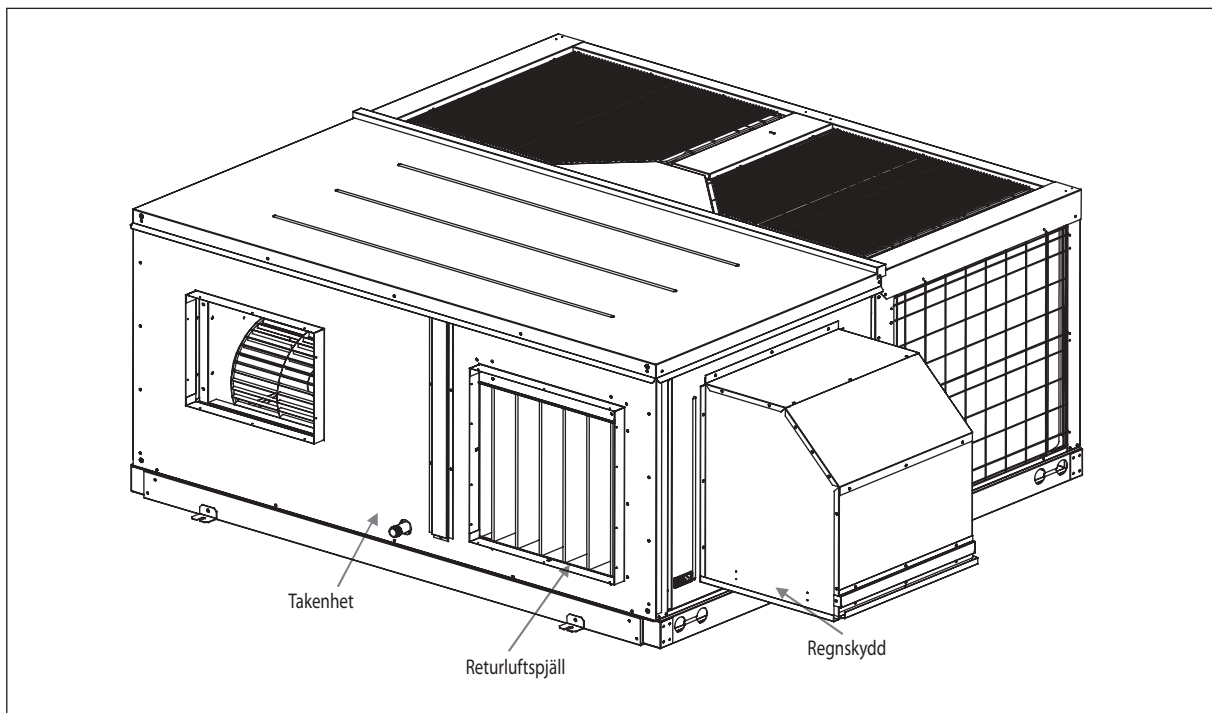
Packning
Punkt 2 -----> Punkt 6 -----> Punkt 7 -----> Punkt 12 -----> Punkt 14 -----> Punkt 5 -----> Punkt 4 -----> Punkt 3 -----> Punkt 13 -----> Punkt 9 -----> Punkt 8 -----> Tätningsmedel



- Det rekommenderas att täta alla skarvar och glipor med väderbeständigt tätningsmaterial (t.ex. silikon, anskaffas separat) för att säkerställa ett vattentätt avslut på regnskyddet.

STEG 9

- Slutligen kan du se enheten med ekonomisats som visas i diagrammet nedan:



Obs

Enheten som visas i diagrammen från steg 1 till steg 9 är UATYQ350. För andra modeller skall samma metod följas.
Enheten som visas i diagrammen från steg 1 till steg 10 är UATYQ900. För andra modeller skall samma metod följas.

(ii) Montering för nedåtlöde (vertikalt)

STEG 1

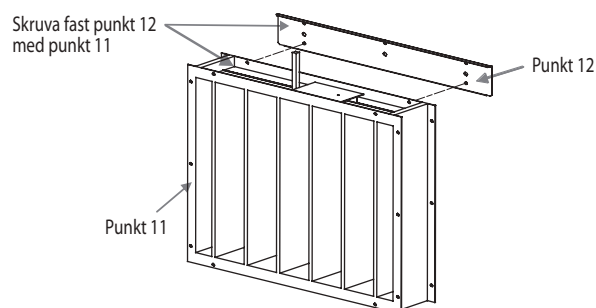
- Bryt strömförsörjningen till enheten och installera en säkerhetslåsflik före installation, driftsättning eller service av ekonomienheten. Förbered alla verktyg som krävs enligt ovan.

STEG 2

- Packa upp trälådan med ekonomisatsen med hjälp av kofot och hammare. Ta sedan bort påsarna som innehåller lösa delar och fästelement med hjälp av kniven. Utför kontroll före installation enligt ovan.

STEG 3

- Montera fästet, nedåtlöde (punkt 12) med returluftspjäll (punkt 11) med hjälp av skruv M5x16 (punkt 13) som medföljer satsen.



Obs

Stödhållare, nedsänkt modell (föremål 12) är inte tillgängligt för ECONO 700 & 900. För att installera ekonomisats för denna modell, hoppa över steg 3 och gå till steg 4.

STEG 4

- Montera 1st Belimo ställdon, LF24-SR (punkt 1) med returluftspjäll (punkt 11). Rikta in och för in hålet på ställdonet mot spjällets axel.



VARNING 1

Standardinställningen för returluftspjället (punkt 11) skall vara helt öppen. Säkerställ att detta spjället är i "helt öppen" position innan montering av ställdonet. Underlåtenhet att göra detta kan orsaka fel under enhetens normaldrift.

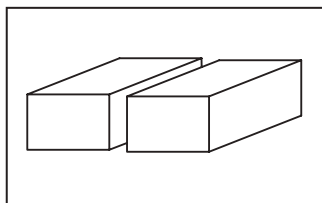


VARNING 2

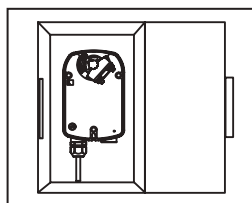
Ytan på ställdonet som är vänd uppåt/ utomhus skall vara märkt med "L" symbolen för att säkerställa rotationen av ställdonsmoduleringen medurs. Underlåtenhet att göra detta kan orsaka fel under enhetens ekonomidrift.

Obs

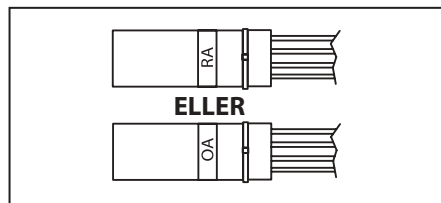
Det finns 2st Belimo ställdon, LF24-SR (punkt 1) i ekonomisatsen som levereras tillsammans i kartonger.



2st av punkt 1 i kartonger.

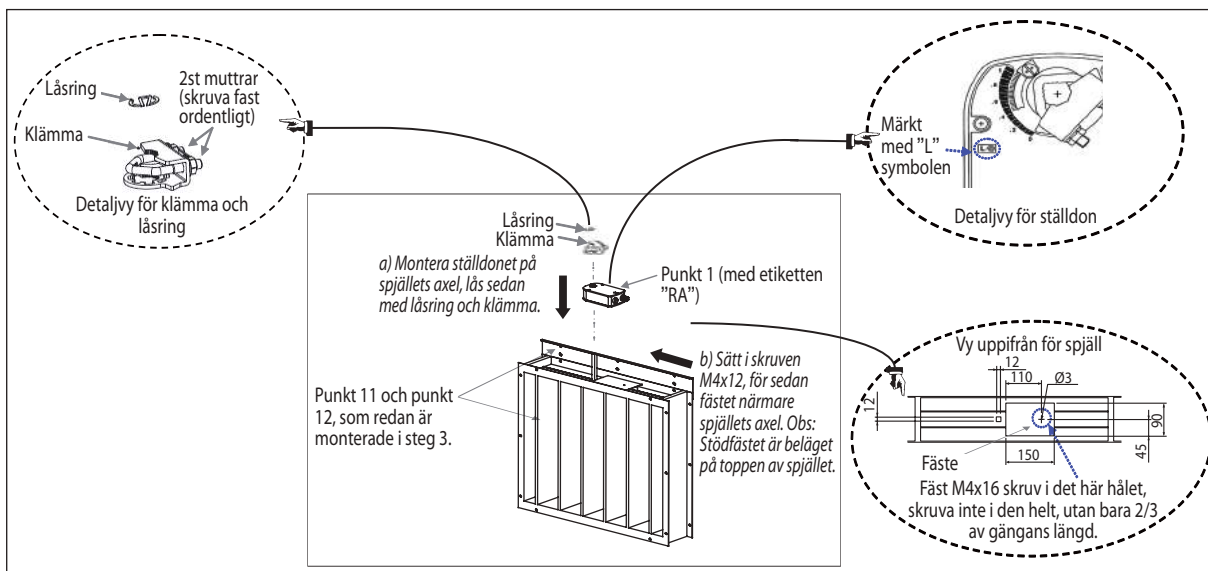


Öppna kartongen.



Observera etiketten på kabeln. En av dem är märkt "RA", medan den andra är märkt "OA".

- Fäst sedan 1st skruv M4x12 (punkt 14) på fästet i spjället. Skruva inte i skruven helt, bara upp till 2/3 av gängans längd. Montera ställdonet på fästet genom att föra fästet närmare spjällets axel. Funktionen för skruv M4x12 är att låsa ställdonet från att glida under modulering.
- Därefter, sätt klämman i axeln och lås ställdonet med låsringen. Spänn klämmans muttrar ordentligt med skiftnyckel. Notera att klämma och låsring medföljer ställdonet som standarddelar, du kan hitta dessa delar inuti ställdonslådan.



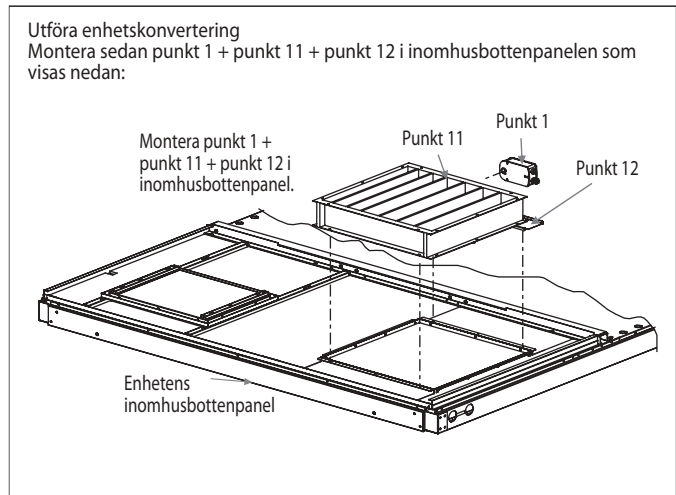
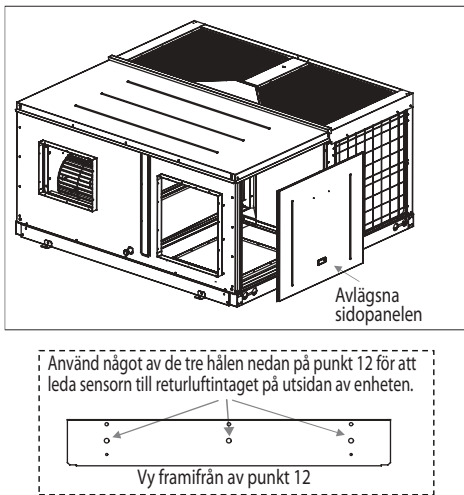
STEG 5

- Avlägsna sidopanelen Utför enhetskonvertering från standardenhet till nedåtfloresenhet genom att följa stegen som anges i del (G) under kapitlet "INSTALLATION AV ENHETEN" i denna handbok.
- Installera sedan returluftspjäll (punkt 11) + fästet, nedåtflores (punkt 12) + Belimo ställdon, LF24-SR (punkt 1) som redan monterats i steg 3 och 4 i enhetens inomhusbottenpanel genom att använda skruv M5x16 (punkt 13).



VARNING

Utvidga returluftssensorn som är placerad inuti enheten (över returluftintagsöppningen) till utsidan av enheten. Detta kan göras genom att leda sensorn genom små hål på fästet, nedåtflores (punkt 12). Sensorn är då korrekt placerad inuti returluftkanalen genom att använda buntband (medföljer ej). Att inte göra detta kan påverka enhetens prestanda och orsaka termiskt obehag för användarna. För modell ECON0700 och UATYQ700 kan sensorledning utföras genom det lilla hålet i metallflänsen för nedsänkt modells returluftöppning.



STEG 6

- Montera 1st Belimo ställdon, LF24-SR (punkt 1) vid sidopanelen med utomhusluftspjället (punkt 2). Rikta in och för in hålet på ställdonet mot spjällets axel.



VARNING 1

Standardinställningen för utomhusluftspjället (punkt 2) skall vara helt stängd. Säkerställ att detta spjället är "helt stängd" position innan montering av ställdonet. Underlåtenhet att göra detta kan orsaka fel under enhetens normaldrift.

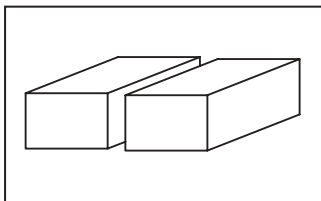


VARNING 2

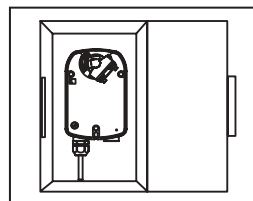
Ytan på ställdonet som är vänd uppåt/ utomhus skall vara märkt med "R" symbolen för att säkerställa rotationen av ställdonsmoduleringen moturs. Underlåtenhet att göra detta kan orsaka fel under enhetens ekonomidrift.

Obs

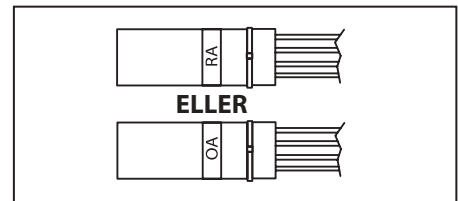
Det finns 2st Belimo ställdon, LF24-SR (punkt 1) i ekonomisatsen som levereras tillsammans i kartonger. Öppna kartongerna och observera etiketten på kabeln. Ställdonet som används i steg 6 är det med etiketten "OA".



2st av punkt 1 i kartonger.

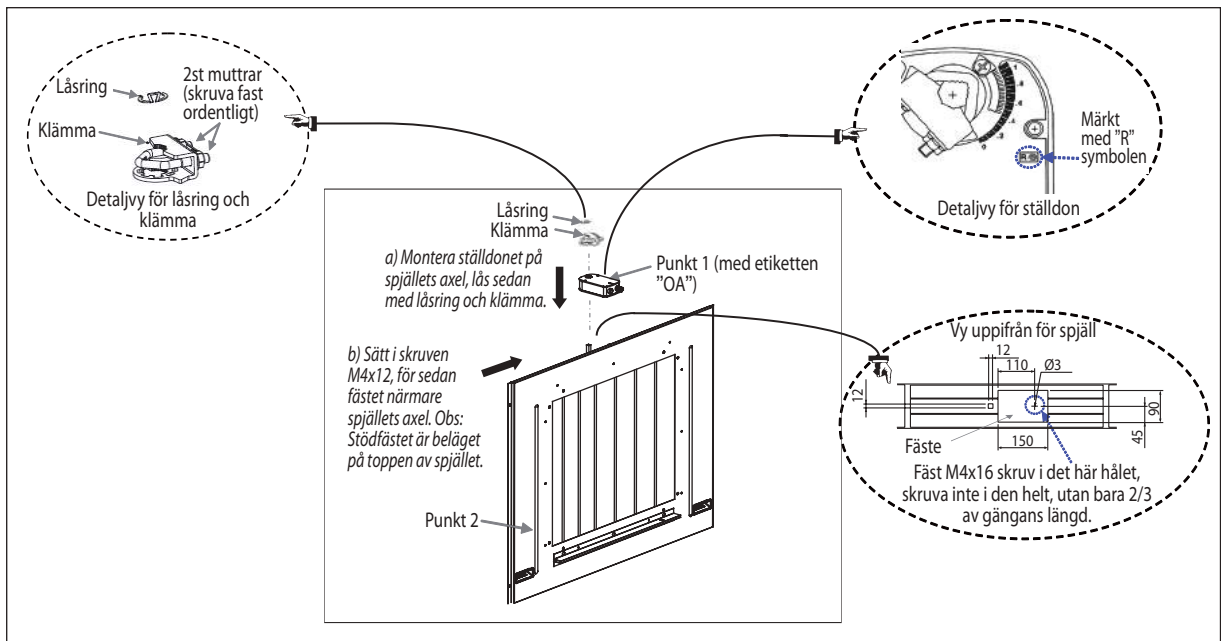


Öppna kartongen.



Observera etiketten på kabeln. En av dem är märkt "RA", medan den andra är märkt "OA".

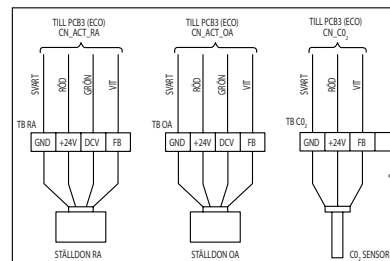
- Fäst sedan 1st skruv M4x12 (punkt 14) på fästet i spjället. Skruva inte i skruven helt, bara upp till 2/3 av gängans längd. Montera ställdonet på fästet genom att föra fästet närmare spjällets axel. Funktionen för skruv M4x12 är att låsa ställdonet från att glida under modulering.
- Därefter, sätt klämman i axeln och lås ställdonet med låsringen. Spänn klämmans muttrar ordentligt med skiftnyckel. Notera att klämma och låsring medföljer ställdonet som standarddelar, du kan hitta dessa delar inuti ställdonslådan.



STEG 7

- Anslut Belimo ställdon, LF24-SR (punkt 1) med etiketten "RA", som nu sitter på monteringsspjället på inomhusbottenpanelen till kopplingsplinten med etiketten "RA" inuti kopplingsdosan.
- Det finns fyra kablar på ställdonet med olika färger (svart, röd, grön och vit färg). Anslut kablarna enligt nedan:

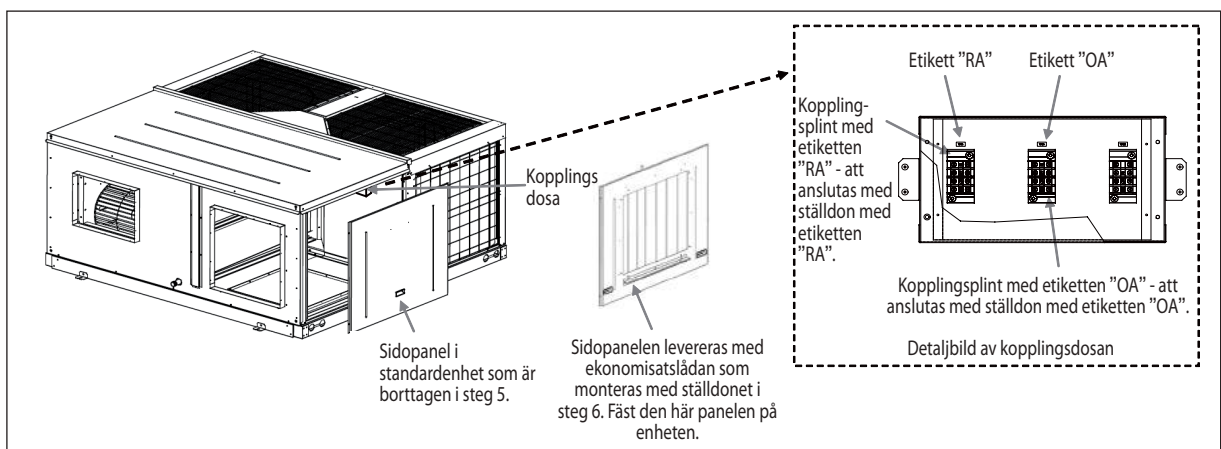
- Svart kabel - anslut till första polen på plinten med etiketten "GND".
- Röd kabel - anslut till andra polen på plinten med etiketten "+24V".
- Grön kabel - anslut till tredje polen på plinten med etiketten "DCV".
- Vit kabel - anslut till fjärde polen på plinten med etiketten "FB".
- (Ni kan hänvisa till kopplingschemadekalen som finns på frontpanelen på kopplingsdosan.)



VARNING

Felaktig kabelanslutning kan orsaka fel på ställdonet eller ekonomisatsens styrkort eller båda. Förbind kablarna med löstagbara buntband under kopplingsdosan.

- Anslut sedan Belimo ställdon, LF24-SR (punkt 1) med etiketten "OA", som nu finns på monteringsspjället på sidopanelen till plinten med etiketten "OA" inuti samma kopplingsdosa. Följ samma metod som användes för kabelanslutning mellan ställdon "RA" och plinten "RA". Därefter fästs sidopanelen till enheten. Du kan behöva bunta ihop ställdonskablarna ordentligt med hjälp av buntband (medföljer ej) innan du fäster sidopanelen till enheten.

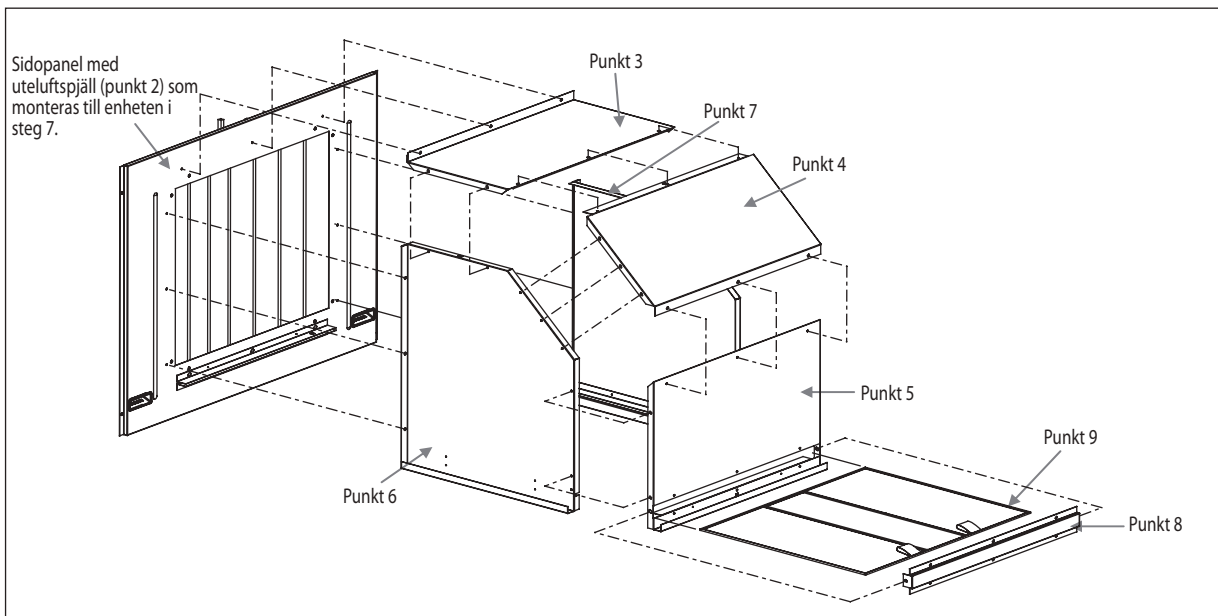


STEG 8

- Att bygga regnskydd, installera lösa delar (metalldelar) till sidopanelen. Innan dess, placera packningen (medföljer ej) på sidopanelen för förseglingsändamål.
- Följ sedan installationssekvensen nedan för att bygga regnskyddet:

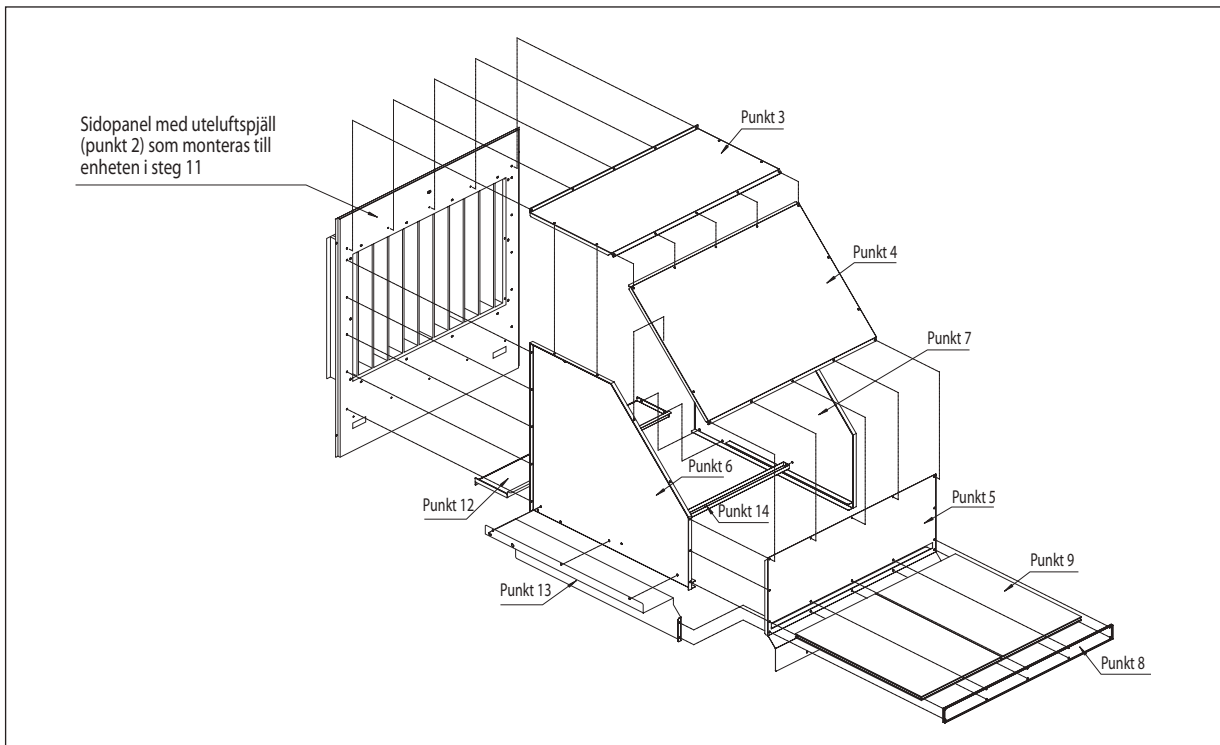
Modell : UATYQ 250, 350, 450, 550, 600, 700

Packning
Punkt 2 -----> Punkt 6 -----> Punkt 7 -----> Punkt 3 -----> Punkt 4 -----> Punkt 5 -----> Punkt 9 -----> Punkt 8 -----> Tätningsmedel



Modell : UATYQ 900

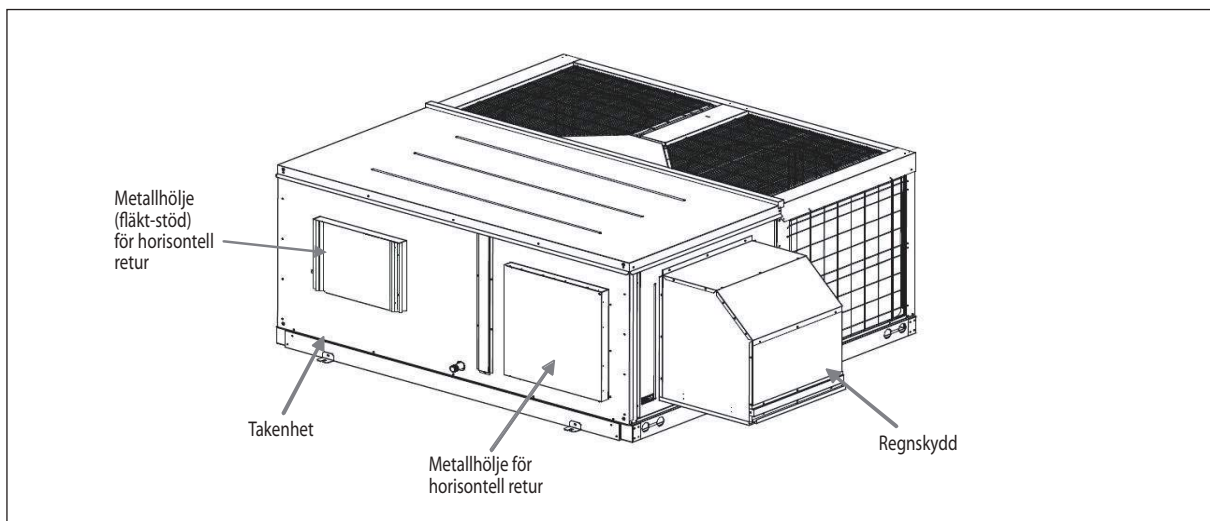
Packning
Punkt 2 -----> Punkt 6 -----> Punkt 7 -----> Punkt 12 -----> Punkt 14 -----> Punkt 5 -----> Punkt 4 -----> Punkt 3 -----> Punkt 13 -----> Punkt 9 -----> Punkt 8 -----> Tätningsmedel



- Det rekommenderas att täta alla skarvar och glipor med väderbeständigt tätningsmaterial (t.ex. silikon, anskaffas separat) för att säkerställa ett vattentätt avslut på regnskyddet.

STEG 9 & STEG 10 (är tillämplig UATYQ900 endast).

- Slutligen kan du se enheten med ekonomisats som visas i diagrammet nedan:
- När takkant krävs för nedåtlödesmontering hänvisas till rekommendationen i del (C) under kapitlet "INSTALLATION AV ENHETEN" i denna handbok.



Obs

Enheten som visas i diagrammen från steg 1 till steg 9 är UATYQ350. För andra modeller skall samma metod följas.

Enheten som visas i diagrammen från steg 1 till steg 10 är UATYQ900. För andra modeller skall samma metod följas.

E Driftsättning

(i) Luftflödesmotstånd

Luftflödesmotstånd avser tryckfallet orsakat av ekonomisatsen. Före installationen rekommenderas det att kontrollera i tryckfallstabellen som finns i tekniska data i syfte att göra ett korrekt utförandeval.

(ii) Justering av prestanda

Enhetens prestanda kommer att försämrats när enheten drivs med friskluftsläge, det beror på användarens val. Före installationen rekommenderas det att kontrollera i korrektionsfaktortabellen som finns i tekniska data i syfte att göra ett korrekt utförandeval.

(iii) Lägesval

Generellt ger satsen två val av läge, som är ekonomiläge och friskluftsläge.

- Ekonomiläge: Ger "gratis" kylning när utomhusluftens temperatur är lämplig. Kan användas separat eller tillsammans med mekanisk kylning.
- Friskluftsläge: Ger minsta möjliga mängd frisk luft som är nödvändig för ventilation eller lokala krav.

Obs

Se hårdvaruinställningsriktlinjer som visas i del (D) (v) under kapitlet "KONTROLLGUIDE" i denna handbok för val av läge.

(iv) Lägsta friskluftsväl

Satsen ger minsta friskluftsväl från 0~25% för både kylningsoch värmeläge. Medan ekonomiläge och fläktläge kan ge upp till maximalt 85% frisk luft.

Obs

Se hårdvaruinställningsriktlinjer som visas i del (D) (v) under kapitlet "KONTROLLGUIDE" i denna handbok för val av friskluftsläge.

(v) Skyddsfunktion för överkylning

Temperaturobehag kan inträffa i kall omgivningstemperatur på grund av utomhusluftspjällets öppnande. Denna situation kan undvikas när skyddsfunktionen för överkylning är aktiverad.

Obs

Se hårdvaruinställningsriktlinjerna som visas i del (D) (v) under kapitlet "KONTROLLANVÄNDNINGSGUIDE" i denna handbok för aktivering av inställning av överkylningsskydd.

(vi) Driftområde

Det tillämpliga driftområdet för enhet med ekonomifunktion är detsamma som för en vanlig enhet.

Se kapitlet "DRIFTOMRÅDE" i denna handbok.

Begränsning av friskluftsöppning sker dock i hög omgivningstemperatur eller låg omgivningstemperatur för att garantera tillförlitligheten i enheten. Se tekniska data för detaljerad information.



VARNING

Prestandan kommer att sänkas vid hög omgivningstemperatur eller låg omgivningstemperatur, se punkt (E)(ii).

(vii) Valfritt luftfilter

Det finns ett 2" filterfack inuti enheten. Valfritt filter (medföljer ej) rekommenderas som andra stegs filtrering eftersom när uteluftspjället öppnas kan damm och smuts tränga in.

F Service och underhåll

(i) Service av filtret

Luftflödesmotståndet kan öka när filtret blir smutsigt. Rengör filtret minst en gång per 2-veckorsperiod. Luftfilter i regnskydd som är utsatt för utemiljö kan skadas av ohyra eller djur. Byt ut luftfiltret när det är skadat.

(ii) Service av inomhusutrymmet

Uteluftspjällets öppning kan fortfarande ta in damm och smuts eftersom skyddsfiltret inte fullt ut kan filtrera smutspartiklar. Följaktligen får även inomhusutrymmet rengöras under servicen av filtret.

(iii) Service av spjället

Torka av det smutsiga spjället, särskilt uteluftsspjället som är utsatt för miljön hela tiden.

Obs

Se kapitlet "SERVICE OCH UNDERHÅLL" i denna handbok.

G Behovsstyrd ventilation

- En teknik för att minska energiförbrukningen och samtidigt bibehålla tillräcklig luftkvalitet är behovsstyrd ventilation. Istället för en inställning på en fast luftersättningsnivå, används en koldioxidssensor (CO₂ sensor) för att kontrollera nivån dynamiskt, baserat på utsläpp av byggnadens inneboende.
- CO₂ sensor är en valfri komponent som finns som tillbehör. Se följande information för rekommendation av val av CO₂ sensor:

- Typ: Rörmonterad typ
- Effektförbrukning: 24 VDC, 50Hz
- Drifttemperatur: 0 ~ 52°C
- Omgivningstemperatur: -15 ~ 52°C
- Mätområde: 0 ~ 5000 ppm (beror på användning)
- Utspänning: 2 ~ 10 VDC
- Kabelstorlek: AWG18
- Högsta tillåtna ström: 7A
- Efterlevnadsstandarder: För att följa lokala och nationella bestämmelser

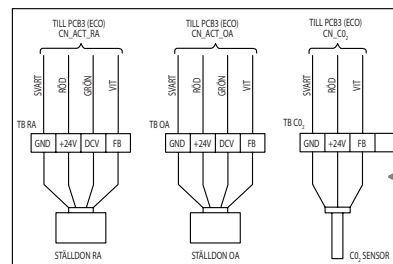
- Ekonomikontrollen levereras med en inbyggd programvara som är klar för integration med CO₂ sensor. Den aktiveras endast i ekonomiläge. Användaren har möjlighet att välja olika tröskelvärden via Dip-kontakt 3. Se hårdvaruinställningsriktlinjer som visas i del (D) (v) under kapitlet "KONTROLLGUIDE" i denna handbok för val av CO₂ PPM nivåtröskelvärden.

Till exempel: För att använda en CO₂ sensor med mätområde från 0 ~ 5000 ppm med tröskelvärdet 1250PPM måste användaren göra följande åtgärder:-

- Steg 1: Aktivera SW4 i den enda Dipkontakten i kontrollpanelens moderkort till ON (standard fabriksinställning är i läge OFF).
- Steg 2: Aktivera panelparameter G6 (ekonomikontroll) i fjärrkontrollen till "1" (ON) läge (standard fabriksinställning är i "0" (OFF) läge).
- Steg 3: Se till att SW2 i Dip-kontakt 4 (ekonomistyrkort) är i läge OFF (standard fabriksinställning är i läge OFF).
- Steg 4: Aktivera SW1 i Dip-kontakt 3 (Ekonomistyrkort) till läge ON (standard fabriksinställning är i läge OFF).
{ SW1 i Dip-kontakt 3 = 25%, beräkning motsvarar 25% av 5000 ppm eller motsvarande 1250 PPM }.

- Om CO₂-sensorn utsätts för utomhusmiljö, täck sensorn med ett stänkskydd (IPX4) med skruv som låsmekanism eller liknande metod för att förhindra att vatten kommer in i CO₂-sensorn och även för att undvika möjlig kontakt med sensorn. Anslutningen till CO₂-sensorn är spänningsförande.
- Anslut sedan kabeln från CO₂ sensor till kopplingsboxen i inomhusutrymmet i enheten. Det finns tre kablar på CO₂ sensorn. Anslut kablarna enligt nedan:

- | | |
|--------------------------------|------------------------------------------------------------|
| Systemets jordkabel | - anslut till första polen på plinten med etiketten "GND". |
| +24VDC live kabel | - anslut till andra polen på plinten med etiketten "+24V". |
| Uteffekt/ feedback signalkabel | - anslut till tredje polen på plinten med etiketten "FB". |
- (Ni kan hänvisa till kopplings-schemadekalen som finns på frontpanelen på kopplingsdosan.)

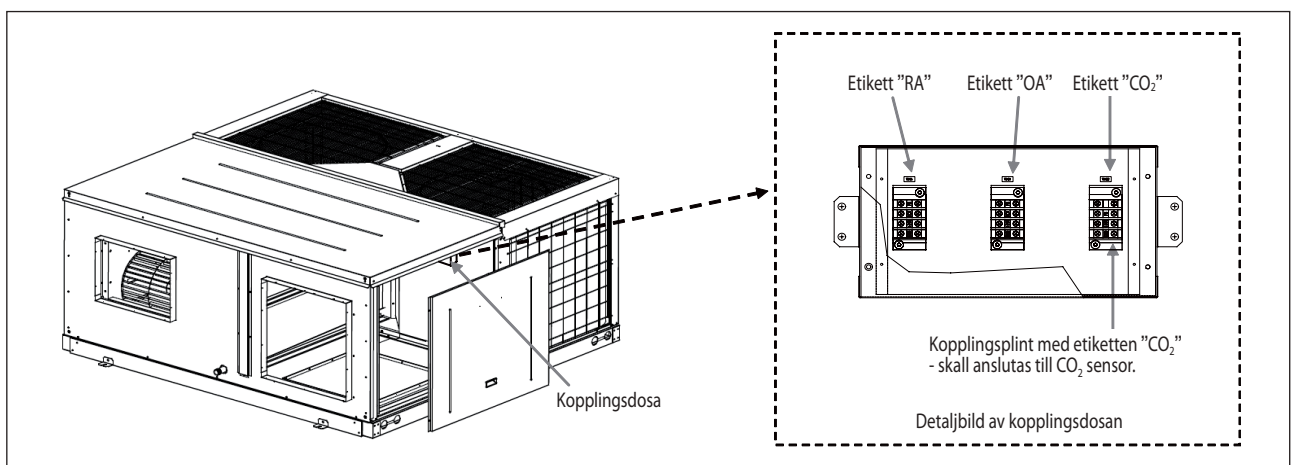


Kopplings-schemadekalen som finns på frontpanelen på kopplingsdosan



VARNING

Felaktig kabelanslutning kan orsaka fel på CO₂-sensorn eller ekonomistyrkortet eller båda. Förbind kablarna med löstagbara buntband under kopplingsdosan.



(i) Begränsning av ekonomisatsen i termostatkontrollen

Termostatkontrollen används tillsammans med tredje parts styrenhet och därmed kan fastställandet av temperaturen för specifik tillämpning inte kännas till. I detta fall är det rekommenderat att använda fjärrkontrollen för att ställa in önskad inställning av temperatur innan hårdvaruinställningen för termostatkontrollen sker.

Obs

Se hårdvaruinställningsriktlinjer som visas i del (D) (v) under kapitlet "KONTROLLGUIDE" i denna handbok för val av läge.

(ii) Nödvändigt för tryckavlastning

Förekomst av frisk luft kan orsaka högre tryck i rummet och obehag för användarna. Vid behov rekommenderas det att installera ett spjäll för tryckavlastning i returröret.

**MEMO / MITTEILUNG / LE MÉMO / MEMO / EL MEMORÁNDUM /
PROMEMORIA / ΣΗΜΕΙΩΜΑ / MEMO / ПАМЯТКА / NOT**

**MEMO / MITTEILUNG / LE MÉMO / MEMO / EL MEMORÁNDUM /
PROMEMORIA / ΣΗΜΕΙΩΜΑ / MEMO / ПАМЯТКА / NOT**

- In the event that there is any conflict in the interpretation of this manual and any translation of the same in any language, the English version of this manual shall prevail.
- The manufacturer reserves the right to revise any of the specification and design contain herein at any time without prior notification.
- Im Falle einer widersprüchlichen Auslegung der vorliegenden Anleitung bzw. einer ihrer Übersetzungen gilt die Ausführung in Englisch.
- Änderungen von Design und technischen Merkmalen der in dieser Anleitung beschriebenen Geräte bleiben dem Hersteller jederzeit vorbehalten.
- En cas de désaccord sur l'interprétation de ce manuel ou une de ses traductions, la version anglaise fera autorité.
- Le fabricant se réserve le droit de modifier à tout moment et sans préavis la conception et les caractéristiques techniques des appareils présentés dans ce manuel.
- In het geval dat een versie van deze handleiding in vertaling anders kan worden geïnterpreteerd dan de Engelse versie, geldt de Engelse versie.
- De fabrikant behoudt zich het recht voor specificaties en ontwerpkenmerken die in dezes worden vermeld, te allen tijde te herzien zonder voorafgaande kennisgeving.
- En caso de conflicto en la interpretación de este manual, y en su traducción a cualquier idioma, prevalecerá la versión inglesa.
- El fabricante se reserva el derecho a modificar cualquiera de las especificaciones y diseños contenidos en el presente manual en cualquier momento y sin notificación previa.
- Nel caso ci fossero conflitti nell'interpretazione di questo manuale o delle sue stesse traduzioni in altre lingue, la versione in lingua inglese prevale.
- Il fabbricante mantiene il diritto di cambiare qualsiasi specificazione e disegno contenuti qui senza precedente notifica.
- Σε περίπτωση διαφορών μεταξύ του εγχειριδίου αυτού και τυχόν μετάφρασής του σε οποιαδήποτε γλώσσα, υπερισχύει η Αγγλική έκδοση αυτού του εγχειριδίου.
- Ο κατασκευαστής διατηρεί το δικαίωμα αναθεώρησης των προδιαγραφών και σχεδίων που περιέχονται στο παρόν οποιαδήποτε στιγμή χωρίς προηγούμενη ειδοποίηση.
- A versão em inglês do Manual prevalecerá na eventualidade de qualquer conflito na interpretação deste Manual e de qualquer tradução do mesmo.
- O fabricante reserva-se o direito de rever qualquer uma das especificações e concepção/design aqui contido a qualquer altura sem aviso prévio.
- В случае противоречия перевода данного руководства с другими переводами одного и того же текста, английский вариант рассматривается как приоритетный.
- Завод-изготовитель оставляет за собой право изменять характеристики и конструкцию в любое время без предварительного уведомления.
- W przypadku gdy występuje niezgodność interpretacji tej instrukcji oraz tłumaczenia w jakimkolwiek języku, obowiązuje wersja angielska.
- Producent zastrzega sobie prawo do zmiany specyfikacji i projektu tutaj zawartego w dowolnej chwili bez uprzedniego powiadomienia.
- Bu kılavuzun anlaşılmasında bir çatişma olduğunda ve farklı dillerdeki tercümelemler farklılık gösterdiğinde, bu kılavuzun İngilizce sürümünü üstün tutulacaktır.
- Üretici burada bulunan teknik özellikleri ve tasarımları herhangi bir zamanda ve önceden haber vermeden değiştirme hakkını saklı tutar.
- I händelse av attdet finns någonkonflikti tolkningens avdenna handbok ocheventuella översättningarav sammapå alla språk, skaden engelska versionen avden här handbokensom gäller.
- Tillverkaren förbehållersig rätten att revideranågonav specifikationenoch designinnehållerhärnär som helst utanföregående meddelande.

DAIKIN EUROPE N.V.

Zandvoordestraat 300, B-8400 Oostende,
Belgium

DAIKIN MIDDLE EAST AND AFRICA FZE

P.O.Box 18674, Jebel Ali Free Zone, Dubai-UAE
Email: info@daikinmea.com
Web: www.daikinmea.com

Importer for Turkey

DAIKIN ISITMA ve SOĞUTMA SİSTEMLERİ SAN TIC A.Ş.

Allianz Plaza-Kucukbakkalkoy Mah.Kayisdagi Cad.No:1 34750
Atasehir-ISTANBUL / TURKIYE

DAIKIN INDUSTRIES, LTD.

Head office:
Umeda Center Bldg., 2-4-12, Nakazaki-Nishi,
Kita-ku, Osaka, 530-8323 Japan

Tokyo office:
JR Shinagawa East Bldg., 2-18-1, Konan,
Minato-ku, Tokyo, 108-0075 Japan
<http://www.daikin.com/global/>

- اذا حدث اي تعارض في تفسير هذا الكتيب واي اختلاف في الترجمة نفسها بأية لغة كانت. تكون النسخة الانكليزية هي السائدة.
- يحتفظ المصنع بحق تعديل التصميم واية مواصفات موجودة هنا في اي وقت من دون إشعار مسبق.

DAIKIN INDUSTRIES, LTD.

Head office:
Umeda Center Bldg., 2-4-12, Nakazaki-Nishi,
Kita-ku, Osaka, 530-8323 Japan

Tokyo office:
JR Shinagawa East Bldg., 2-18-1, Konan,
Minato-ku, Tokyo, 108-0075 Japan
<http://www.daikin.com/global/>

DAIKIN EUROPE N.V.

Zandvoordestraat 300, B-8400 Oostende,
Belgium

DAIKIN MIDDLE EAST AND AFRICA FZE

P.O.Box 18674, Jebel Ali Free Zone, Dubai-UAE
Email: info@daikinmea.com
Web: www.daikinmea.com

Importer for Turkey

DAIKIN ISITMA ve SOĞUTMA SİSTEMLERİ SAN TİC A.Ş.

Allianz Plaza-Kucukbakkalkoy Mah.Kayısdagi Cad.No:1 34750
Atasehir-İSTANBUL / TÜRKİYE

مذكرة

(i) تقييد مجموعة الموقر في تحكم الثيرموستات يستعمل تحكم الثرموستات مع جهاز سيطرة الطرف الثالث ولهذا لا يمكن التعرف على ضبط درجة حرارة للتطبيق المحدد. لهذه الحالة. يوصي باستعمال جهاز السيطرة عن بعد لضبط درجة حرارة المكان المطلوبة قبل إجراء ضبط الأجهزة لتحكم الثرموستات.

ملاحظة

ارجع إلى دليل ضبط البرنامج المزود في القسم (D) (v) تحت الفصل "دليل تشغيل السيطرة" في هذا الدليل لاختيار الوضع.

(ii) **ضروري لتخفيف الضغط** يمكن أن يسبب وجود الهواء النقي ضغط أعلى في الغرفة ويزعج المستعملين. عند الضرورة، يوصي بتركيب دامبر تخفيف الضغط في قناة الرجوع.

- إحدى التقنيات لتخفيض استهلاك الطاقة الكهربائية مع المحافظة جودة الهواء الكافية هي التحكم في التهوية حسب الطلب. بدلا من ضبط الطاقة الإنتاجية على معدل استبدال هواء ثابت، يستعمل متحسس ثاني أكسيد الكربون (متحسس CO₂) للسيطرة على المعدل بفاعلية. اعتمادا على انبعاث غازات شاغلي البناية الفعلي.

- متحسس CO₂ هو مكون اختياري يزود في الموقع. ارجع إلى المعلومات في الأسفل لتوصية اختيار متحسس CO₂:

- (i) النوع: نوع تركيب - أنبوب
- (ii) دخل الطاقة: 24 فولت تيار مباشر DC، 50 هرتز
- (iii) مدى درجة الحرارة التشغيل: 0 ~ 52° م
- (iv) مدى درجة الحرارة المحيطة: 15 ~ 52° م
- (v) مدى القياس: 0 ~ 5000 PPM (اعتمادا على التطبيق)
- (vi) فولتية الخرج: 2 ~ 10 فولت تيار مباشر DC
- (vii) مقياس السلك: AWG18
- (viii) التيار الأقصى المسموح به: 7 أمبير
- (ix) معايير الالتزام: لإتباع التعليمات المحلية والوطنية

- يأتي جهاز سيطرة الموفر مع برامج داخلي وجاهز لتكامل متحسس CO₂. يتم تنشيطه فقط في وضع الموفر. يسمح للمستعمل باختيار قيمة البداية المختلفة عن طريق مفتاح الغطس 3. ارجع إلى دليل ضبط البرنامج المزود في القسم (D) (V) تحت الفصل "دليل تشغيل السيطرة" في هذا الدليل لاختيار قيمة بداية مستوى PPM CO₂.

- على سبيل المثال: متحسس CO₂ بمدى قياس من 0 ~ 5000 PPM بقيمة بداية على 1250 PPM. يحتاج المستعمل لعمل الخطوات التالية:

- الخطوة 1: اضبط SW4 في مفتاح الغطس فقط في اللوحة الرئيسية لجهاز السيطرة على وضع تشغيل ON (الضبط الأصلي في المصنع هو إيقاف OFF).
- الخطوة 2: اضبط بارامتر اللوحة G6 (التحكم في الموفر) في جهاز السيطرة عن بعد على وضع '1' تشغيل (ON) (الضبط الأصلي في المصنع هو '0' إيقاف OFF).
- الخطوة 3: اضبط SW2 في مفتاح الغطس 4 (لوحة جهاز سيطرة الموفر) على وضع إيقاف OFF (الضبط الأصلي في المصنع هو إيقاف OFF).
- الخطوة 4: اضبط SW1 في مفتاح الغطس 3 (لوحة جهاز سيطرة الموفر) على وضع تشغيل ON (الضبط الأصلي في المصنع هو إيقاف OFF).

{SW1 في مفتاح الغطس 3 = 25%، بالحساب يعني 25% من 5000 PPM أو ما يعادل 1250 PPM}

- إذا كان جهاز استشعار CO₂ معرض للبيئة الخارجية، قم بتغطية جهاز الاستشعار بصندوق منع النفاذ (IPX4) مع البرغي كطريقة للقفل أو طريقة مشابهة لمنع الماء من الدخول لجهاز استشعار CO₂ وأيضا لتجنب الاتصال المحتمل مع جهاز الاستشعار. وصلات جهاز استشعار CO₂ تعتبر جزء هام وضروري.

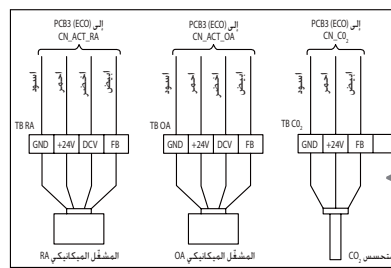
- ثم، أوصل السلك من متحسس CO₂ إلى صندوق التوصيل داخل الحجرة الخارجية للوحدة. يوجد ثلاثة أسلاك على متحسس CO₂. أوصل الأسلاك كما هو في الأسفل:

سلك تأريض النظام - أوصل مع القطب الأول لمجموعة الأطراف المميزة بالعلامة "GND".

السلك الحي +24VDC - أوصل مع القطب الثاني لمجموعة الأطراف المميزة بالعلامة "+24V".

سلك إشارة الخرج/التغذية الراجعة - أوصل مع القطب الرابع لمجموعة الأطراف المميزة بالعلامة "FB".

(يمكنك الرجوع لملصق مخطط الأسلاك الموجود على الغطاء الأمامي لصندوق التوصيل).

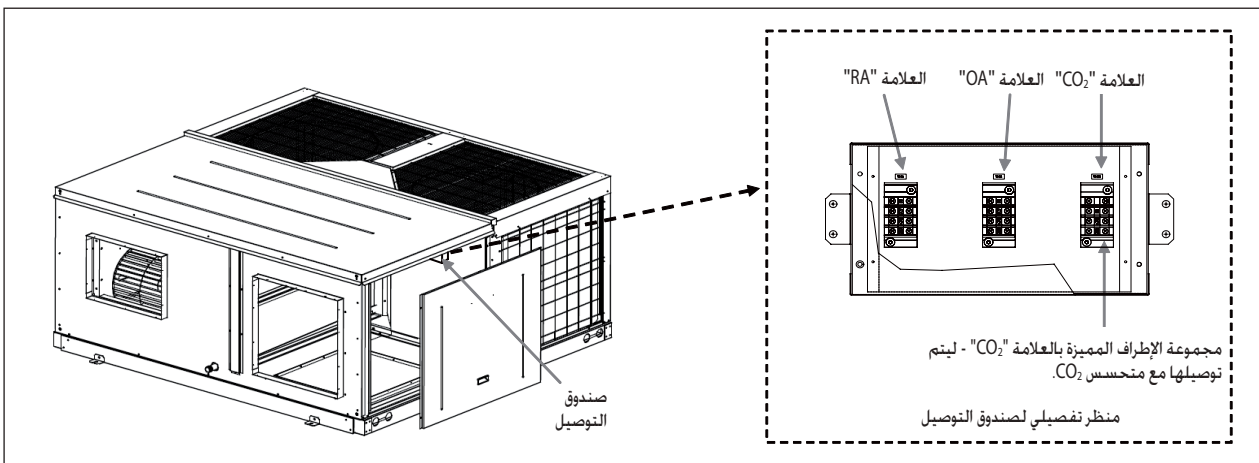


ملصق مخطط الأسلاك الموجود على الغطاء الأمامي لصندوق التوصيل

تنبيه



يمكن أن تسبب الأسلاك الخاطئة عطل في متحسس CO₂ أو لوحة جهاز سيطرة الموفر أو كلاهما. اربط الأسلاك بواسطة روابط سلك قابل للتحرير تحت صندوق التوصيل.



(i)

مقاومة تدفق الهواء

المقصود بمقاومة تدفق الهواء هو هبوط الضغط بسبب مجموعة الموقر. قبل التركيب. يوصى بفحص جدول هبوط الضغط المزود في كتاب البيانات الهندسية من أجل عمل اختيار التصميم الصحيح.

(ii)

تعديل الأداء

سوف يتم إعادة تقدير أداء الوحدة عندما تشتغل الوحدة بوضع الهواء النقي. ويعتمد على اختيار المستعمل. قبل التركيب. يوصى بفحص جدول عامل التصحيح المزود في كتاب البيانات الهندسية من أجل عمل اختيار التصميم الصحيح.

(iii)

اختيار الوضع

- بشكل عام، تزود المجموعة اختبارين للوضع، وهي وضع الموقر و وضع الهواء النقي.
- وضع الموقر: يزود هذا الوضع تبريد "حر" عندما تكون درجة حرارة الهواء الخارجية مناسبة. يمكن استعمال هذا الوضع على انفراد أو بالتزامن مع التبريد الميكانيكي.
 - وضع الهواء النقي: يزود هذا الوضع هواء نقي بأدنى حد و ضروري للتهوية أو المتطلبات المحلية.

ملاحظة

ارجع إلى دليل ضبط البرنامج المزود في القسم (D) (v) تحت الفصل "دليل تشغيل السيطرة" في هذا الدليل لاختيار الوضع.

(iv)

اختيار الهواء النقي الأدنى

تزود المجموعة اختبار هواء نقي من 0 ~ 25% لكلا من وضع التبريد والتدفئة. بينما وضع الموقر و وضع المروحة يزود لغاية 85% من الهواء النقي كحد الأعلى.

ملاحظة

ارجع إلى دليل ضبط البرنامج المزود في القسم (D) (v) تحت الفصل "دليل تشغيل السيطرة" في هذا الدليل لاختيار الهواء النقي بأدنى حد.

(v)

ميزة الحماية من زيادة التبريد

يمكن أن تحدث مضايقة حرارية أثناء البيئة الباردة بسبب فتح دامبر الهواء الخارجي. يمكن تجنب هذه الحالة عندما تكون ميزة الحماية من زيادة التبريد منشطة.

ملاحظة

ارجع إلى دليل ضبط البرنامج المزود في القسم (D) النقطة (v) تحت فصل "دليل تشغيل السيطرة" في هذا الدليل لتنشيط ضبط حماية التبريد الزائد.

(vi)

مدى التشغيل

مدى التشغيل القابل للتطبيق للوحدة مع ميزة الموقر هو نفسه مثل الوحدة العادية. ارجع إلى فصل "مدى التشغيل" في هذا الدليل. على أية حال، سوف يحدث التقييد بفتح الهواء النقي في بيئة الحرارة العالية أو بيئة الحرارة المنخفضة من أجل ضمان الثقة بالوحدة. ارجع إلى كتاب البيانات الهندسية من أجل المعلومات المفصلة.

تنبيه

سوف تقل التأدية في البيئة العالية أو البيئة المنخفضة. ارجع إلى البند (E) من الفصل (ii).

(vii)

مرشح الهواء الاختياري

يوجد شق مرشح 2" داخل الوحدة. المرشح الاختياري (مزود في الموقر) موصى به كمرشح طبقة ثانية لأن فتح دامبر الهواء قد يجلب غبار و أوساخ.

الخدمة والصيانة

و

(i)

خدمة المرشح

يمكن أن تزداد مقاومة تدفق الهواء عندما يصبح المرشح وسخا. لهذا، نظف المرشح بانتظام على الأقل مرة كل 2 أسبوع. يمكن أن يتلف مرشح الهواء، الموجود داخل غطاء المطر والمعرض للبيئة الخارجية، من قبل الآفات أو الحيوانات. استبدل مرشح الهواء عندما يتضرر.

(ii)

خدمة الحجرة الداخلية

يمكن أن يجلب فتح دامبر الهواء غبار و أوساخ لأن مرشح الغطاء لا يستطيع ترشيح جزيئات الوسخ بالكامل. لهذا، يجب تنظيف الحجرة الداخلية أيضا أثناء خدمة المرشح.

(iii)

خدمة الدامبر

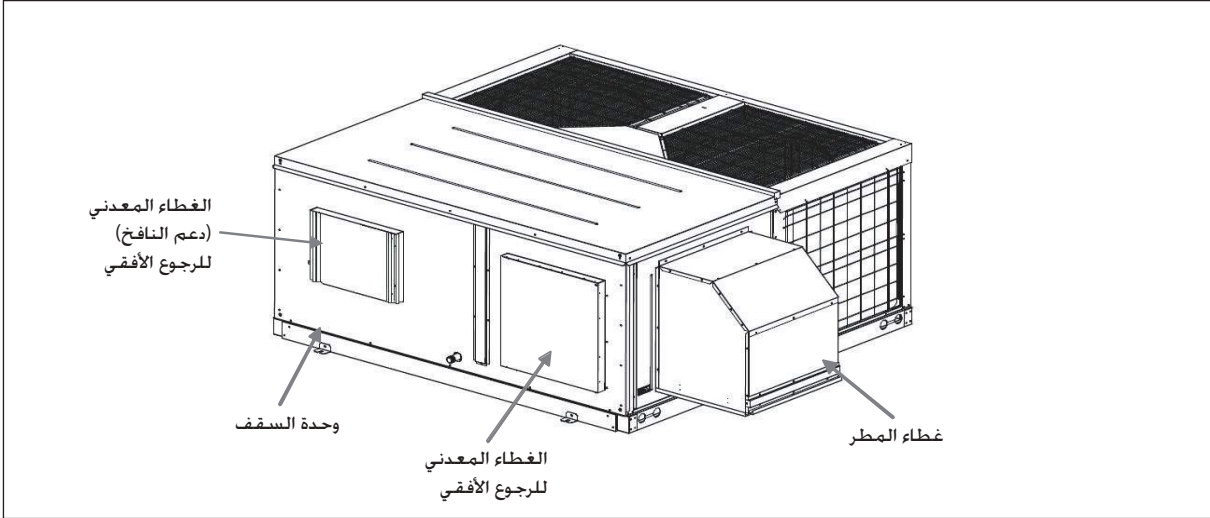
امسح الدامبر الوسخ، خصوصا دامبر الهواء الخارجي المعرض دائما إلى البيئة الخارجية في كل الأوقات.

ملاحظة

ارجع إلى فصل "الخدمة والصيانة" في هذا الدليل.

الخطوة 9 الخطوة 10 (UATYQ900 فقط).

- أخيراً، يمكنك مشاهدة الوحدة مع مجموعة الموقر كما هو مبين في الرسم أدناه:
- عندما يكون مطلوب قيد لتطبيق القذف للأسفل، ارجع إلى التوصية في القسم (C) تحت فصل "تركيب الوحدة" في هذا الكتيب.



ملاحظة

الوحدة المبنية في المخططات من الخطوة 1 إلى الخطوة 9 هي للموديل UATYQ350. بالنسبة للموديلات الأخرى يجب إتباع نفس الطريقة.

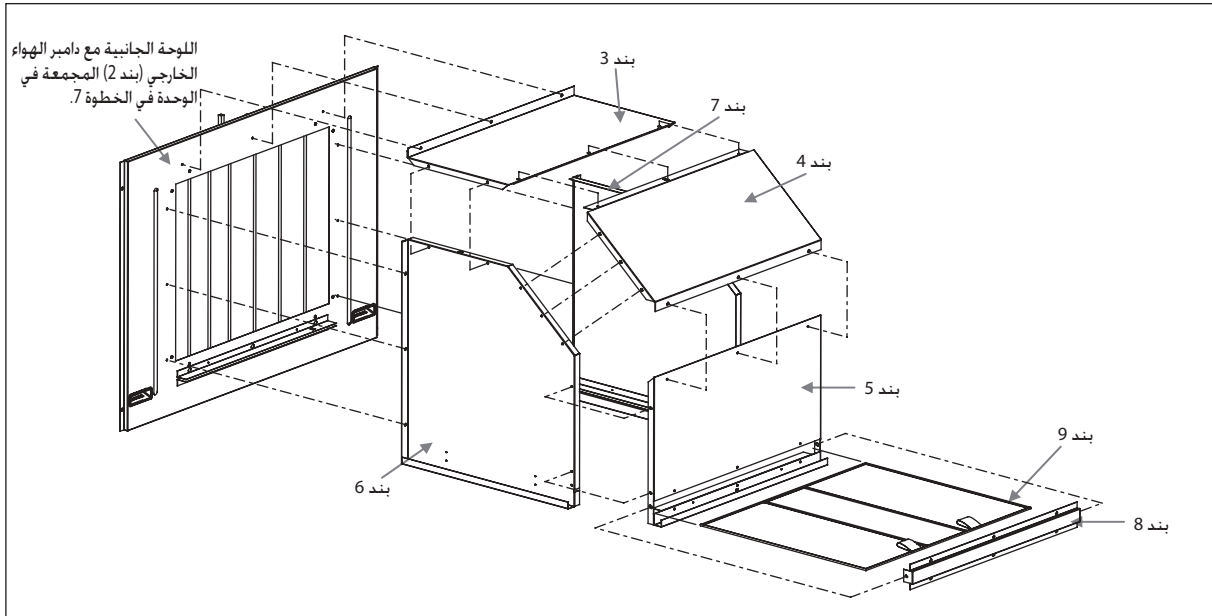
الوحدة المبنية في المخططات من الخطوة 1 إلى الخطوة 10 هي للموديل UATYQ900. بالنسبة للموديلات الأخرى يجب إتباع نفس الطريقة.

الخطوة 8

- لبناء غطاء المطر. ركب الأجزاء المفككة (الأجزاء المعدنية) على اللوحة الجانبية. قبل ذلك. ضع الحشية (تزويد في الموقع) على اللوحة الجانبية لغرض الختم.
- بعد ذلك. اتبع تسلسل التركيب في الأسفل لبناء غطاء المطر.

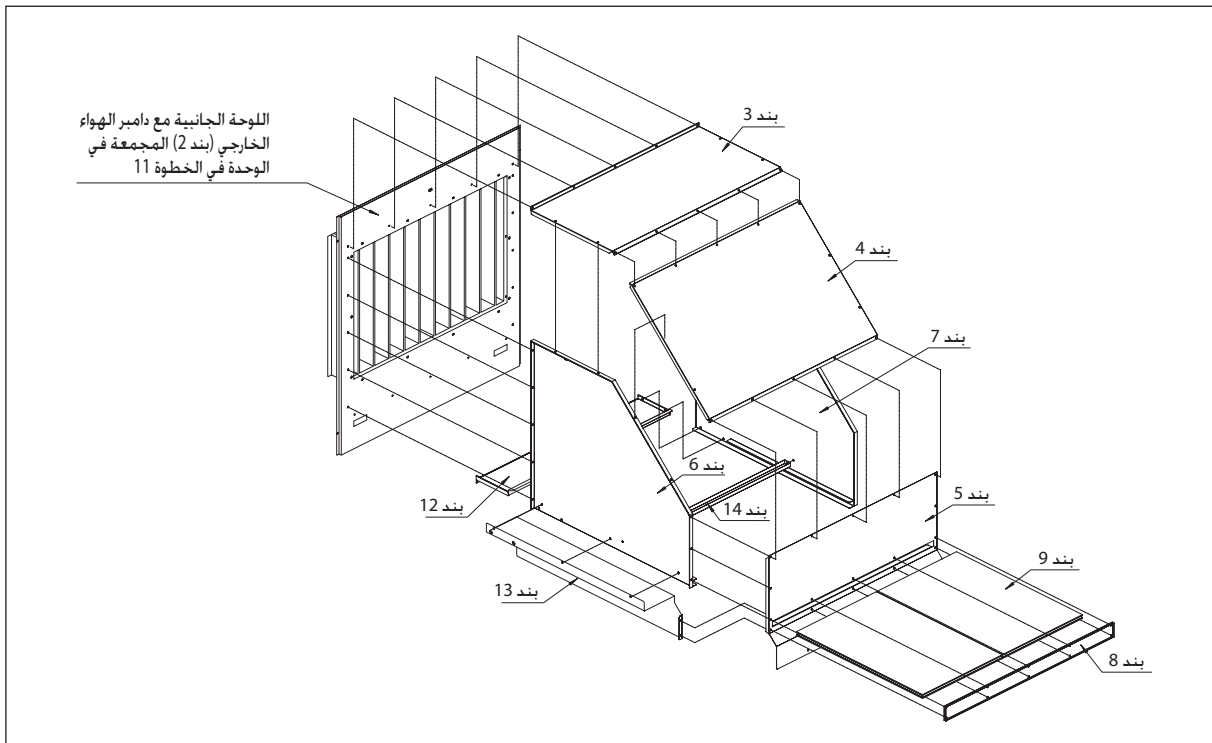
للموديل UATYQ 250, 350, 450, 550, 600, 700

الحشية
بنود 2 <----- بنود 6 <----- بنود 7 <----- بنود 3 <----- بنود 4 <----- بنود 5 <----- بنود 9 <----- بنود 8 <----- مانع تسرب

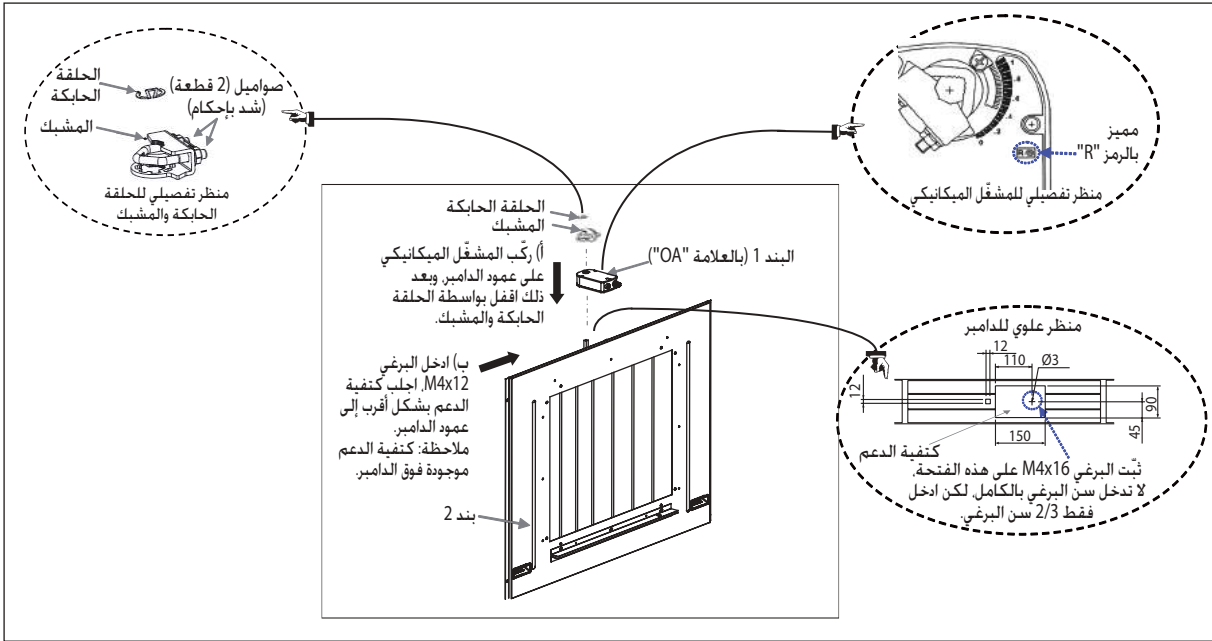


للموديل UATYQ 900

الحشية
بنود 2 <----- بنود 6 <----- بنود 7 <----- بنود 12 <----- بنود 14 <----- بنود 5 <----- بنود 4 <----- بنود 3 <----- بنود 13 <----- بنود 9 <----- بنود 8 <----- مانع تسرب



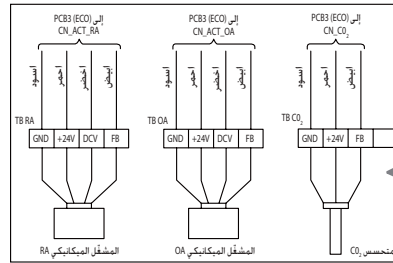
- ينصح بختم كل المفاصل والفجوات بممانع تسرب مقاوم - للطقس (مثل السيلكون. مادة مزودة في الموقع) من اجل ضمان انجاز مقاوم - للماء لغطاء المطر.



الخطوة 7

- أوصل المشغل الميكانيكي LF24-SR, Belimo (بند 1) المميز بالعلامة "RA". الموجود الآن على مجموعة الدامبر على لوحة القاعدة الداخلية مع مجموعة الأطراف المميزة بالعلامة "RA" داخل صندوق التوصيل.
- يوجد أربعة أسلاك على المشغل الميكانيكي بألوان مختلفة (أسود، أحمر، أخضر و أبيض). أوصل الأسلاك كما هو في الأسفل.

- السلك الأسود - أوصل مع القطب الأول لمجموعة الأطراف المميزة بالعلامة "GND".
 - السلك الأحمر - أوصل مع القطب الثاني لمجموعة الأطراف المميزة بالعلامة "+24V".
 - السلك الأخضر - أوصل مع القطب الثالث لمجموعة الأطراف المميزة بالعلامة "DCV".
 - السلك الأبيض - أوصل مع القطب الرابع لمجموعة الأطراف المميزة بالعلامة "FB".
- (يمكنك الرجوع لملصق مخطط الأسلاك الموجود على الغطاء الأمامي لصندوق التوصيل).



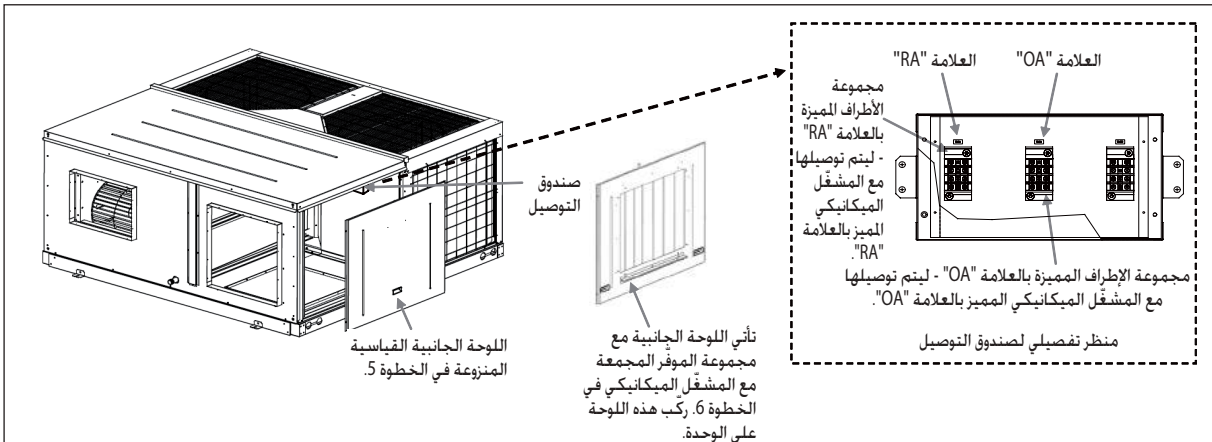
ملصق مخطط
الأسلاك الموجود
على الغطاء
الأمامي لصندوق
التوصيل

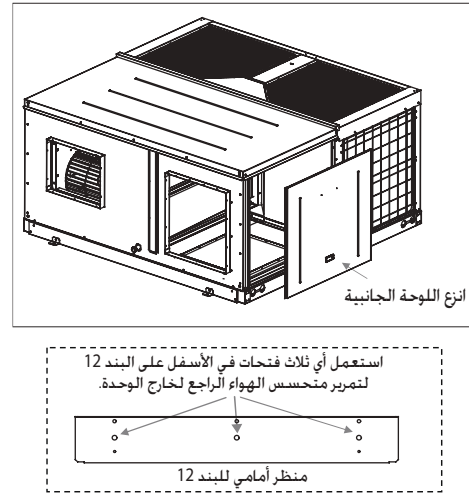
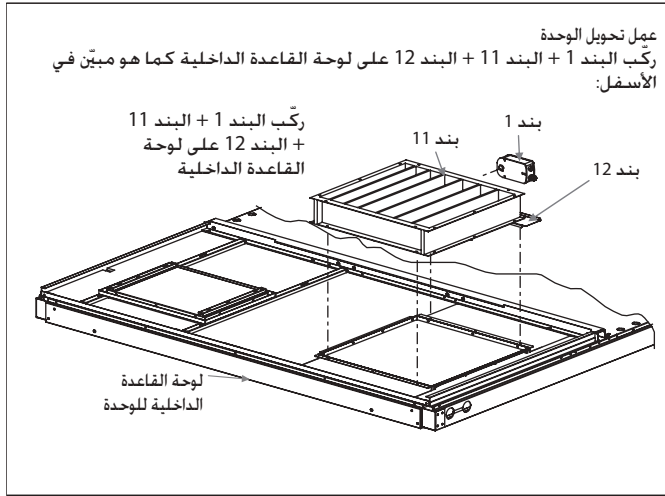
تنبيه



يمكن أن تسبب الأسلاك الخاطئة عطل في المشغل الميكانيكي أو للوحة جهاز سيطرة الموقر أو لكليهما. اربط الأسلاك بواسطة روابط سلك قابل للتحرير تحت صندوق التوصيل.

- ثم، أوصل المشغل الميكانيكي LF24-SR, Belimo (بند 1) المميز بالعلامة "OA". الموجود الآن على مجموعة الدامبر على اللوحة الجانبية مع مجموعة الأطراف المميزة بالعلامة "OA" داخل صندوق التوصيل. اتبع نفس الطريقة المستعملة لتوصيل الأسلاك بين المشغل الميكانيكي "RA" و مجموعة الأطراف المميزة بالعلامة "RA". تاليا، ركب اللوحة الجانبية على الوحدة. يمكن أن تحتاج لعمل الترتيب الصحيح على أسلاك المشغل الميكانيكي باستعمال ربطة السلك (تزويد في الموقع) قبل تركيب اللوحة الجانبية على الوحدة.





الخطوة 6

- ركب المشغل الميكانيكي Belimo (1 قطعة) LF24-SR (بند 1) على اللوحة الجانبية (بند 2) مع على دامبر الهواء الخارجي. وازن وادخل فتحة المشغل الميكانيكي في عمود الدامبر.

تنبيه 1



يجب إغلاق الضبط الأصلي لدامبر الهواء الخارجي (بند 2) بصورة كاملة. تأكد من أن هذا الدامبر على وضع "مغلق بالكامل" قبل تركيب المشغل الميكانيكي. سوف يسبب عدم التقيد في ذلك حصول أخطاء أثناء التشغيل العادي للوحدة.

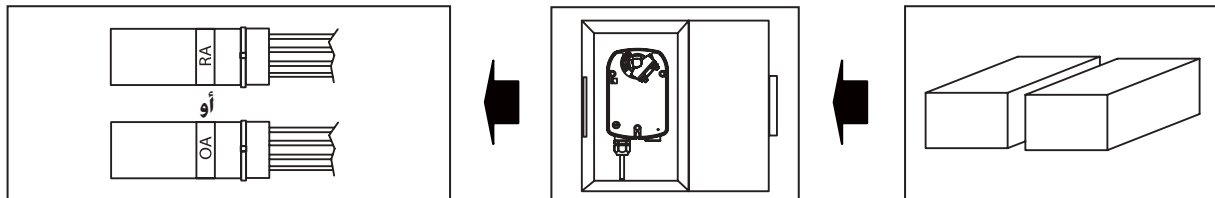
تنبيه 2



يجب تمييز سطح المشغل الميكانيكي الذي يواجه للأعلى/للخارج بالرمز "R" لضمان دوران تعديل المشغل الميكانيكي باتجاه عكس عقرب الساعة. سوف يسبب عدم التقيد في ذلك حصول أخطاء أثناء التشغيل الوحدة مع وظيفة الموقر.

ملاحظة

يوجد مشغل ميكانيكي Belimo (2 قطعة) LF24-SR (بند 1) في مجموعة الموقر والتي تجيء سوية بصناديق الكرتون. افتح الصناديق وتعرف على المصنوع الموجود على السلك. المشغل الميكانيكي المستعمل في الخطوة 6 هو المشغل المميز بالعلامة "OA".



تعرف على العلامة الموجودة على السلك. احدهم ميبين بالرمز "RA" والآخر بالرمز "OA".

افتح الصناديق.

(2 قطعة) للبند 1 في صناديق الكرتون.

- ثم، ثبت البرغي M4x12 (1 قطعة) (بند 14) على كتفية دعم الدامبر. لا تدخل سن البرغي بالكامل. لكن ادخل فقط 2/3 سن البرغي. ركب المشغل الميكانيكي على كتفية الدعم بواسطة جلب كتفية الدعم بشكل أقرب إلى عمود الدامبر. إن وظيفة البرغي M4x12 هي لقفل المشغل الميكانيكي لمنعه من الانزلاق أثناء التعديل.
- تاليا، ضع المشبك داخل العمود واقفل المشغل الميكانيكي بواسطة الحلقة الحابكة. شد صواميل المشبك بإحكام باستعمال مفتاح الربط القابل للتعديل. لاحظ أن المشبك والحلقة الحابكة يأتان سوية مع المشغل الميكانيكي كالأجزاء القياسية. يمكن أن تجد هذه الأجزاء داخل صندوق المشغل الميكانيكي.

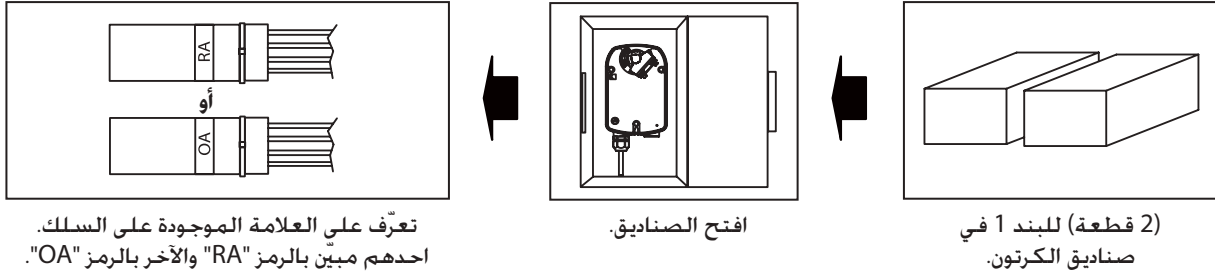
تنبيه 2



يجب تمييز سطح المشغّل الميكانيكي الذي يواجه للأعلى/للخارج بالرمز "L" لضمان دوران تعديل المشغّل الميكانيكي باتجاه عقرب الساعة. سوف يسبب عدم التقيد في ذلك حصول أخطاء أثناء التشغيل الوحدة مع وظيفة الموقر.

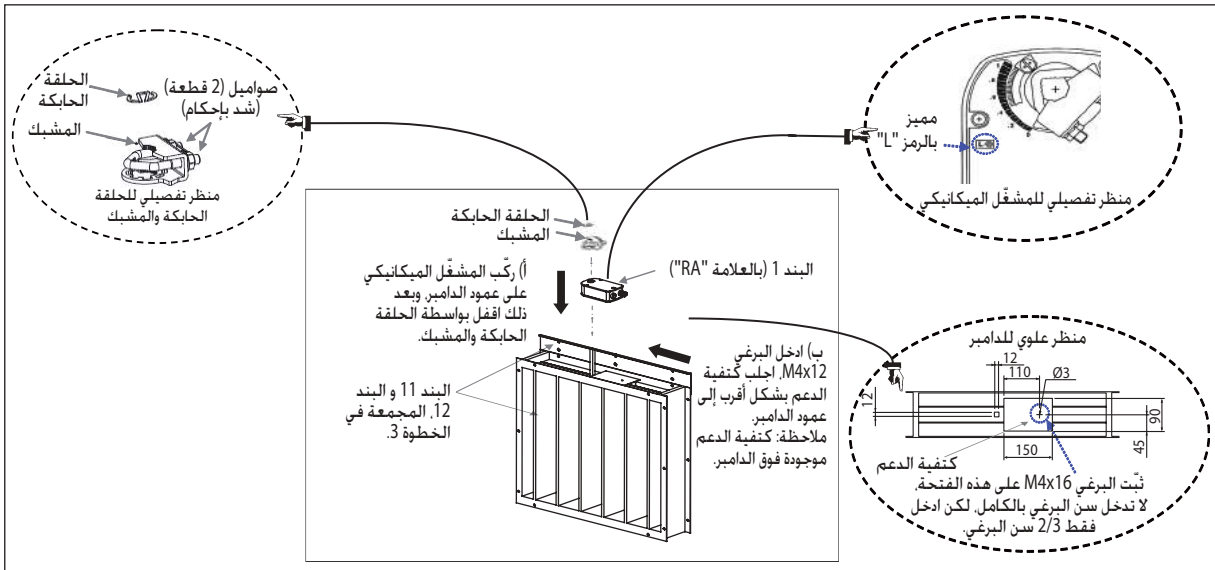
ملاحظة

يوجد مشغّل ميكانيكي Belimo (2 قطعة) LF24-SR (بند 1) في مجموعة الموقر والتي تجيء سوية بصناديق الكرتون. افتح الصناديق وتعرّف على الملتصق الموجود على السلك. المشغّل الميكانيكي المستعمل في الخطوة 4 هو المشغّل المميز بالعلامة "RA".



تعرّف على العلامة الموجودة على السلك. احدهم مبین بالرمز "RA" والآخر بالرمز "OA".

- ثم، تبت البرغي M4x12 (1 قطعة) (بند 14) على كتفية دعم الدامبر. لا تدخل سن البرغي بالكامل. لكن ادخل فقط 2/3 سن البرغي. ركب المشغّل الميكانيكي على كتفية الدعم بواسطة جلب كتفية الدعم بشكل أقرب إلى عمود الدامبر. إن وظيفة البرغي M4x12 هي لقفل المشغّل الميكانيكي لمنعه من الانزلاق أثناء التعديل.
- تاليا، ضع المشبك داخل العمود واقل المشغّل الميكانيكي بواسطة الحلقة الحابكة. شد صواميل المشبك بإحكام باستعمال مفتاح الربط القابل للتعديل. لاحظ أن المشبك والحلقة الحابكة يتيان سوية مع المشغّل الميكانيكي كالأجزاء القياسية. يمكن أن تجد هذه الأجزاء داخل صندوق المشغّل الميكانيكي.



الخطوة 5

- انزع اللوحة الجانبية. اعمل تحويل الوحدة من الوحدة القياسية إلى وحدة قذف للأسفل بإتباع الخطوات الموضحة القسم (G) تحت فصل "تركيب الوحدة" في هذا الكتيب.
- ثم، ركب دامبر الهواء الراجع (بند 11) + كتفية الدعم. قذف للأسفل (بند 12) + المشغّل الميكانيكي LF24-SR.Belimo (بند 1) التي تم تجميعها في الخطوة 3 والخطوة 4 على لوحة القاعدة الداخلية باستعمال البرغي M5x16 (بند 13).

تنبيه



مدّد متحسس الهواء الراجع الموجود داخل الوحدة (على قمة فتحة الهواء الراجع) إلى المنطقة الخارجية من الوحدة. يمكن أن يتم عمل هذا بتمرير المتحسس من خلال الفتحات الصغيرة على كتفية الدعم. قذف للأسفل (بند 12). بعد ذلك يتم وضع المتحسس بشكل صحيح داخل أنبوب الهواء الراجع باستعمال ربطة السلك (تزويد في الموقع). عدم عمل ذلك يمكن أن يؤثر على أداء الوحدة ويسبب مضايقة حرارية للمستعملين. بالنسبة للموديل ECON0700 والموديل UATYQ700، فإنه يمكن توجيه جهاز الاستشعار من خلال ثقب صغير على الحافة المعدنية لفتحة إعادة الهواء بالجانب الهابط.

(ii) تطبيق الرجوع (عمودي) للأسفل

الخطوة 1

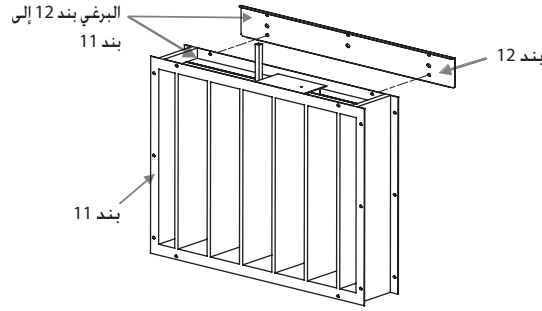
- افصل تزويد الطاقة الكهربائية للوحدة وركّب بطاقة قفل الأمان قبل التركيب. اختبار الجهاز أو خدمة وحدة الموفّر. حضّر كل الأدوات المطلوبة كما هو مذكور في الأعلى.

الخطوة 2

- افتح صندوق الشحن الخشبي لمجموعة الموفّر باستعمال المخل والمطرقة. ثم، انزع الأكياس التي تحتوي على الأجزاء والمثبتات المفككة باستعمال القطاعة. اعمل فحص قبل التركيب كما هو مذكور أعلاه.

الخطوة 3

- ضع كتفية الدعم، قذف للأسفل (بند 12) على دامبر الهواء الراجع (بند 11) باستعمال البرغي M5x16 (بند 13) المزودة في المجموعة.



ملاحظة

- الشريحة الداعمة الموجودة للأسفل (العنصر 12) غير موجودة في ECONO 700 & 900. لتثبيت الأدوات الاقتصادية لهذا الموديل، تجاهل الخطوة 3 واذهب مباشرة إلى الخطوة 4.

الخطوة 4

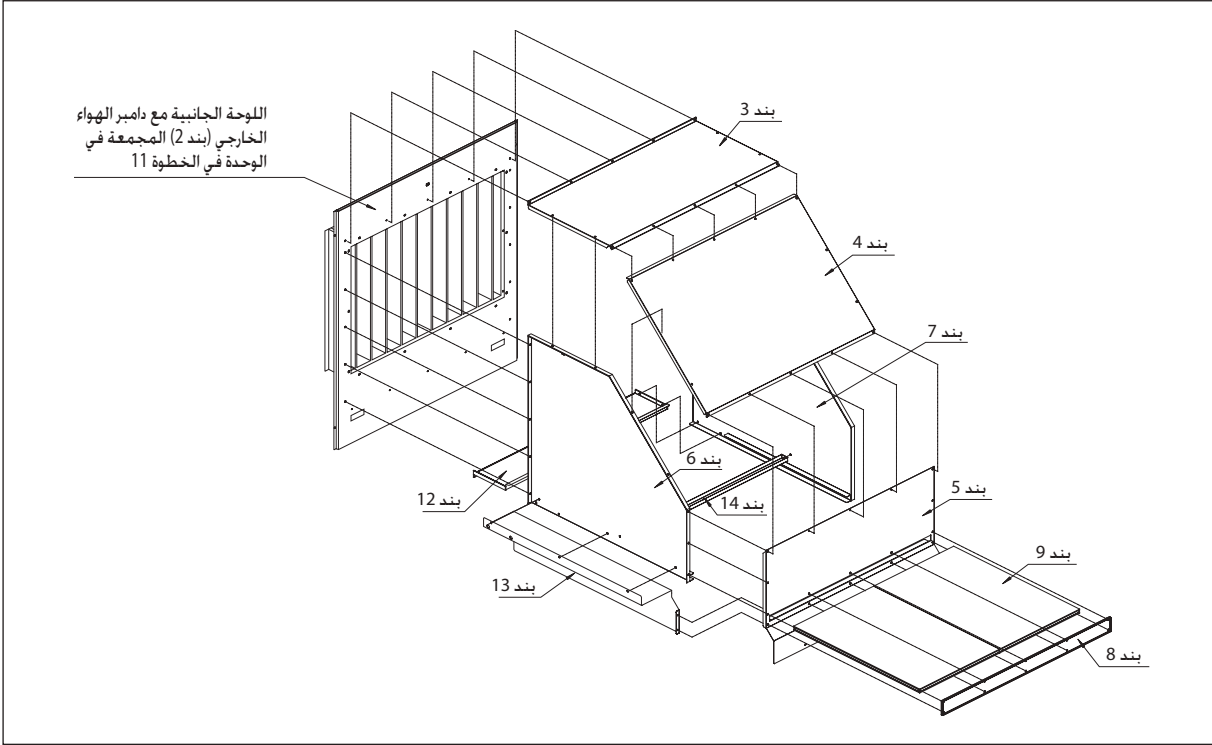
- ركّب المشغّل الميكانيكي Belimo (1 قطعة) LF24-SR (بند 1) على دامبر الهواء الراجع (بند 11). وازن وادخل فتحة المشغّل الميكانيكي في عمود الدامبر.

تنبيه 1



يجب فتح الضبط الأصلي لدامبر الهواء الراجع (بند 11) بصورة كاملة، تأكد من أن هذا الدامبر على وضع "مفتوح بالكامل" قبل تركيب المشغّل الميكانيكي. سوف يسبب عدم التقيد في ذلك حصول أخطاء أثناء التشغيل العادي للوحدة.

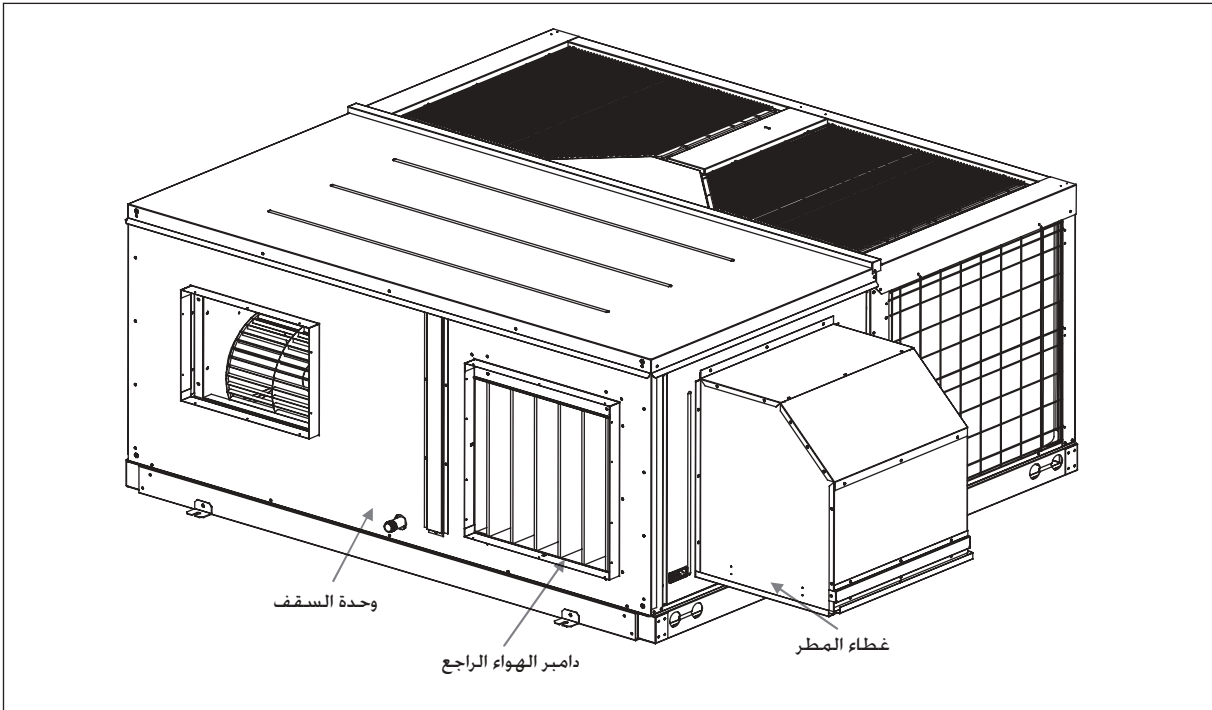
2 بند <----- 6 بند <----- 7 بند <----- 12 بند <----- 14 بند <----- 5 بند <----- 4 بند <----- 3 بند <----- 13 بند <----- 9 بند <----- 8 بند <----- مانع تسرب



- ينصح بختم كل المفاصل والفجوات بمانع تسرب مقاوم - للطقس (مثل السيلكون. مادة مزودة في الموقع) من اجل ضمان انجاز مقاوم - للماء لغطاء المطر.

الخطوة 9

- أخيرا، يمكنك مشاهدة الوحدة مع مجموعة الموقر كما هو مبين في الرسم أدناه:



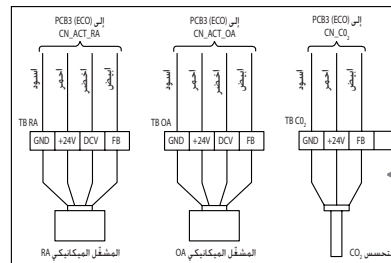
ملاحظة

الوحدة المبينة في المخططات من الخطوة 1 إلى الخطوة 9 هي للموديل UATYQ350. بالنسبة للموديلات الأخرى يجب إتباع نفس الطريقة.
الوحدة المبينة في المخططات من الخطوة 1 إلى الخطوة 12 هي للموديل UATYQ900. بالنسبة للموديلات الأخرى يجب إتباع نفس الطريقة.

الخطوة 7

- أوصل المشغّل الميكانيكي LF24-SR, Belimo (بند 1) المميز بالعلامة "RA". الموجود الآن على مجموعة الدامبر على اللوحة الأمامية مع مجموعة الأطراف المميزة بالعلامة "RA" داخل صندوق التوصيل.
- يوجد أربعة أسلاك على المشغّل الميكانيكي بألوان مختلفة (أسود، أحمر، أخضر و أبيض). أوصل الأسلاك كما هو في الأسفل.

- السلك الأسود - أوصل مع القطب الأول لمجموعة الأطراف المميزة بالعلامة "GND".
 - السلك الأحمر - أوصل مع القطب الثاني لمجموعة الأطراف المميزة بالعلامة "+24V".
 - السلك الأخضر - أوصل مع القطب الثالث لمجموعة الأطراف المميزة بالعلامة "DCV".
 - السلك الأبيض - أوصل مع القطب الرابع لمجموعة الأطراف المميزة بالعلامة "FB".
- (يمكنك الرجوع لملصق مخطط الأسلاك الموجود على الغطاء الأمامي لصندوق التوصيل).



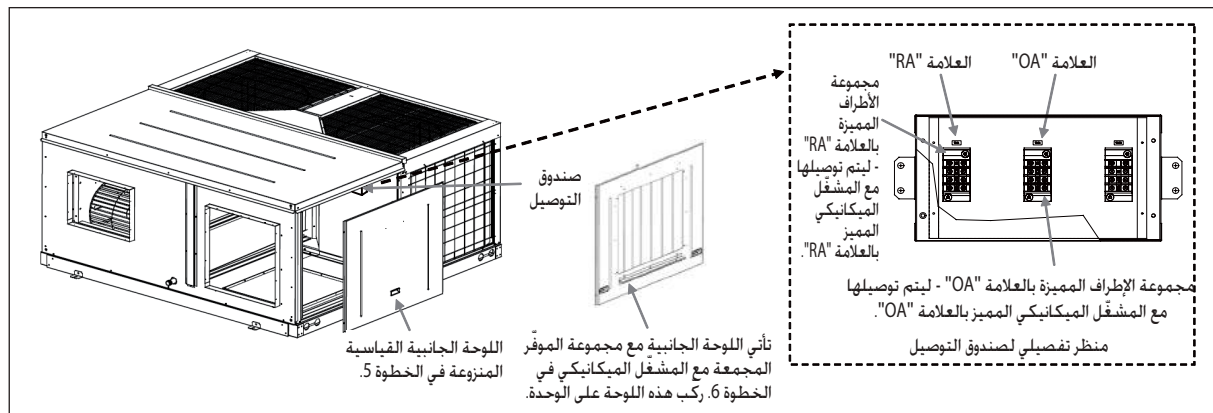
ملصق مخطط
الأسلاك الموجود
على الغطاء
الأمامي لصندوق
التوصيل

تنبيه



يمكن أن تسبب الأسلاك الخاطئة عطل في المشغّل الميكانيكي أو ل لوحة جهاز سيطرة الموقر أو لكليهما. اربط الأسلاك بواسطة روابط سلك قابل للتحريك تحت صندوق التوصيل.

- ثم، أوصل المشغّل الميكانيكي LF24-SR, Belimo (بند 1) المميز بالعلامة "OA". الموجود الآن على مجموعة الدامبر على اللوحة الجانبية مع مجموعة الأطراف المميزة بالعلامة "OA" داخل صندوق التوصيل. اتبع نفس الطريقة المستعملة لتوصيل الأسلاك بين المشغّل الميكانيكي "RA" و مجموعة الأطراف "RA". تأليا، ركب اللوحة الجانبية على الوحدة. يمكن أن تحتاج لعمل الترتيب الصحيح على أسلاك المشغّل الميكانيكي باستعمال ربطة السلك (تزويد في الموقع) قبل تركيب اللوحة الجانبية على الوحدة.



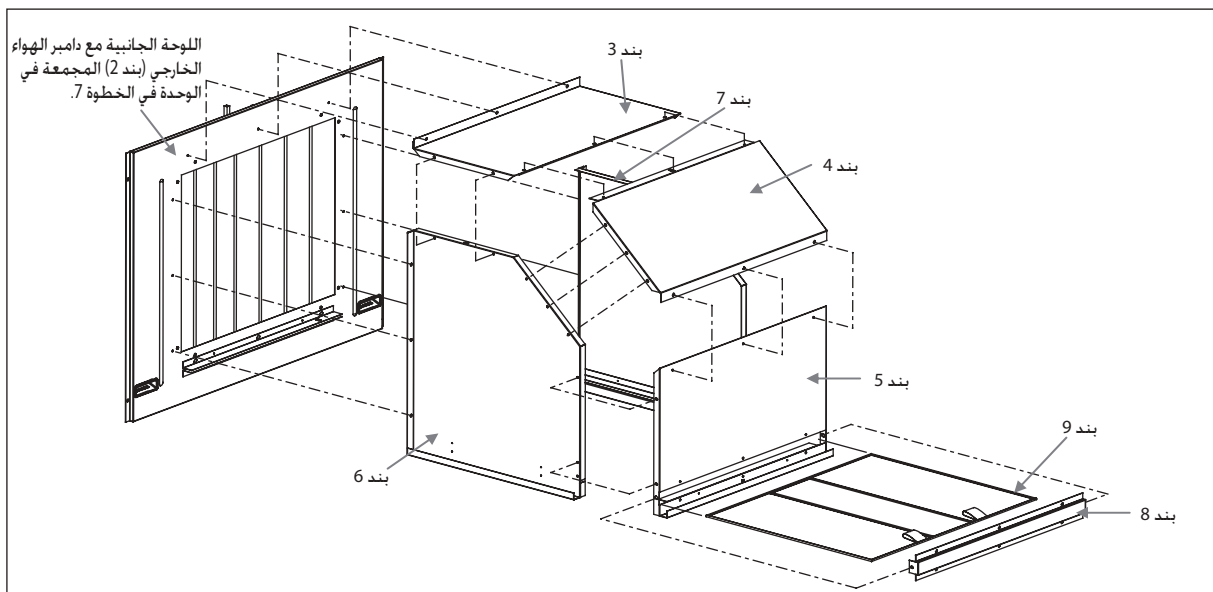
الخطوة 8

- لبناء غطاء المطر. ركب الأجزاء المفككة (الأجزاء المعدنية) على اللوحة الجانبية. قبل ذلك، ضع الحشية (تزويد في الموقع) على اللوحة الجانبية لغرض الختم.
- بعد ذلك، اتبع تسلسل التركيب في الأسفل لبناء غطاء المطر.

للموديل UATYQ 250, 350, 450, 550, 600, 700

الحشية

بند 2 <----- بند 6 <----- بند 7 <----- بند 3 <----- بند 4 <----- بند 5 <----- بند 9 <----- بند 8 <----- مانع تسرب



- ركب المشغل الميكانيكي Belimo (1 قطعة). LF24-SR (بند 1) المميزة بالعلامة "OA" على اللوحة الجانبية مع دامبر الهواء الراجع (بند 2). وازن وادخل فتحة المشغل الميكانيكي في عمود الدامبر.

تنبيه 1



يجب إغلاق الضبط الأصلي لدامبر الهواء الخارجي (بند 2) بصورة كاملة. تأكد من أن هذا الدامبر على وضع "مغلق بالكامل" قبل تركيب المشغل الميكانيكي. سوف يسبب عدم التقيد في ذلك حصول أخطاء أثناء التشغيل العادي للوحدة.

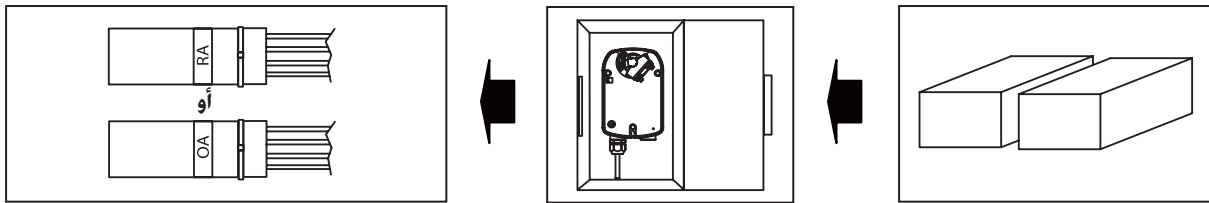
تنبيه 2



يجب تمييز سطح المشغل الميكانيكي الذي يواجه للأعلى/للخارج بالرمز "R" لضمان دوران تعديل المشغل الميكانيكي باتجاه عكس عقرب الساعة. سوف يسبب عدم التقيد في ذلك حصول أخطاء أثناء التشغيل الوحدة مع وظيفة المؤقت.

ملاحظة

يوجد مشغل ميكانيكي Belimo (2 قطعة). LF24-SR (بند 1) في مجموعة المؤقت والتي تجيء سوية بصناديق الكارتون. افتح الصناديق وتعرف على الملصق الموجود على السلك. المشغل الميكانيكي المستعمل في الخطوة 6 هو المشغل المميز بالعلامة "OA".

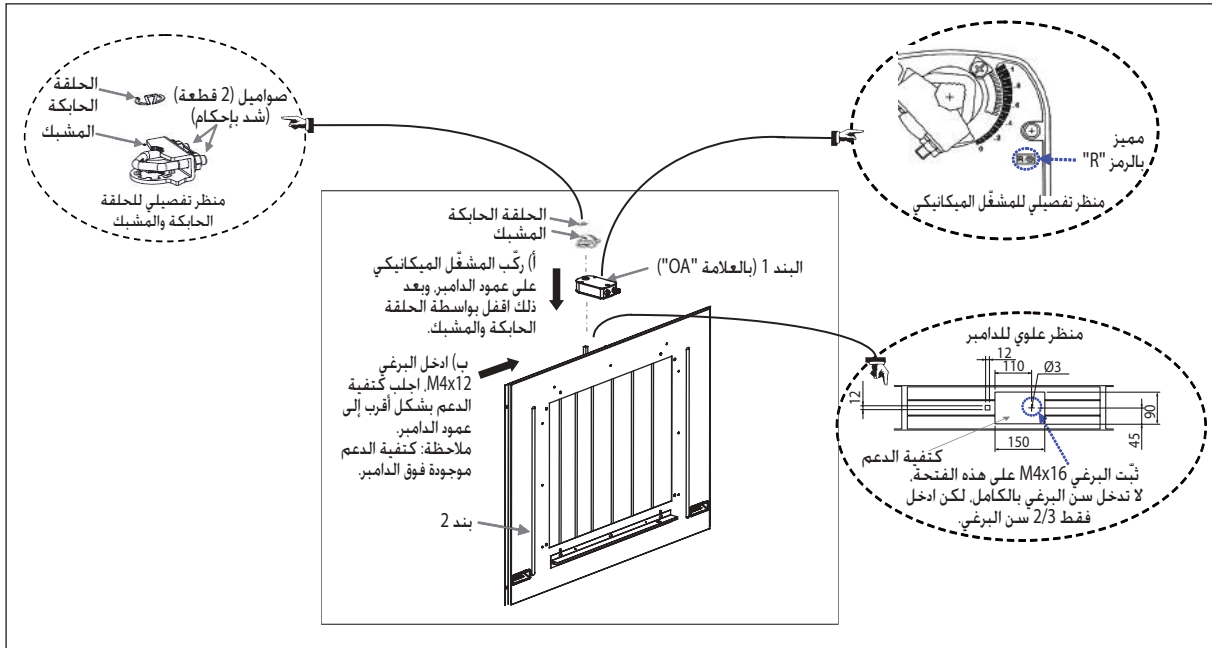


تعرف على العلامة الموجودة على السلك. احدهم مبيّن بالرمز "RA" والآخر بالرمز "OA".

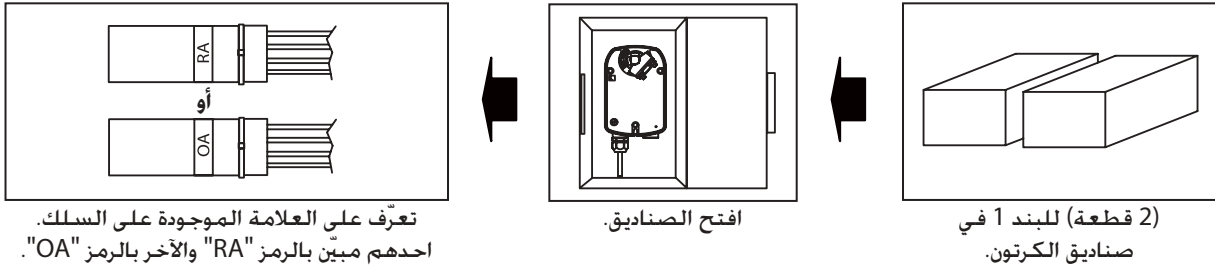
افتح الصناديق.

(2 قطعة) للبند 1 في صناديق الكرتون.

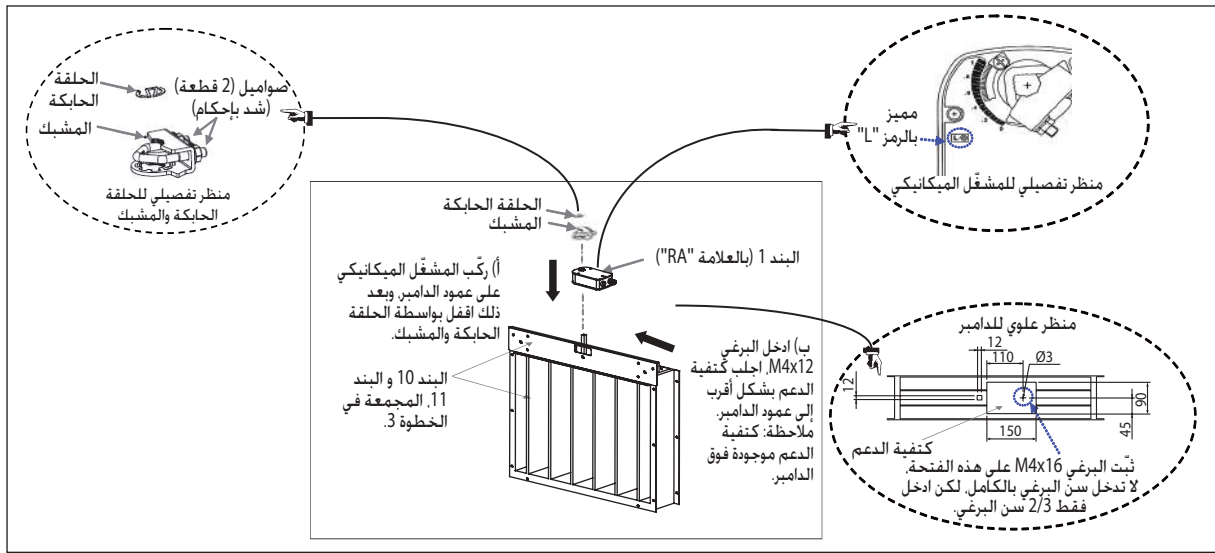
- ثم، نبت البرغي M4x12 (1 قطعة) (بند 14) على كتفية دعم الدامبر. لا تدخل سن البرغي بالكامل. لكن ادخل فقط 2/3 سن البرغي. ركب المشغل الميكانيكي على كتفية الدعم بواسطة جلب كتفية الدعم بشكل أقرب إلى عمود الدامبر. إن وظيفة البرغي M4x12 هي لفضل المشغل الميكانيكي لمنعه من الانزلاق أثناء التعديل.
- تاليا، ضع المشبك داخل العمود واقفل المشغل الميكانيكي بواسطة الحلقة الحابكة. شد صواميل المشبك بإحكام باستعمال مفتاح الربط القابل للتعديل. لاحظ أن المشبك والحلقة الحابكة يأتيان سوية مع المشغل الميكانيكي كالأجزاء القياسية. يمكن أن تجد هذه الأجزاء داخل صندوق المشغل الميكانيكي.



يوجد مشغّل ميكانيكي Belimo (2 قطعة) LF24-SR (بند 1) في مجموعة المؤقّر والتي تجيء سوية بصناديق الكارتون. افتح الصناديق وتعرّف على العلامة الموجودة على السلك. المشغّل الميكانيكي المستعمل في الخطوة 4 هو المشغّل المميز بالعلامة "RA".



- ثم، نثبت البرغي M4x12 (1 قطعة) (بند 14) على كتفية دعم الدامبر. لا تدخل سن البرغي بالكامل. لكن ادخل فقط 2/3 سن البرغي. ركب المشغّل الميكانيكي على كتفية الدعم بواسطة جلب كتفية الدعم بشكل أقرب إلى عمود الدامبر. إن وظيفة البرغي M4x12 هي لقفل المشغّل الميكانيكي لمنع من الانزلاق أثناء التعديل.
- تاليا، ضع المشبك داخل العمود واقفل المشغّل الميكانيكي بواسطة الحلقة الحابكة. شد صواميل المشبك بإحكام باستعمال مفتاح الربط القابل للتعديل. لاحظ أن المشبك والحلقة الحابكة يأتيان سوية مع المشغّل الميكانيكي كالأجزاء القياسية، يمكن أن تجد هذه الأجزاء داخل صندوق المشغّل الميكانيكي.



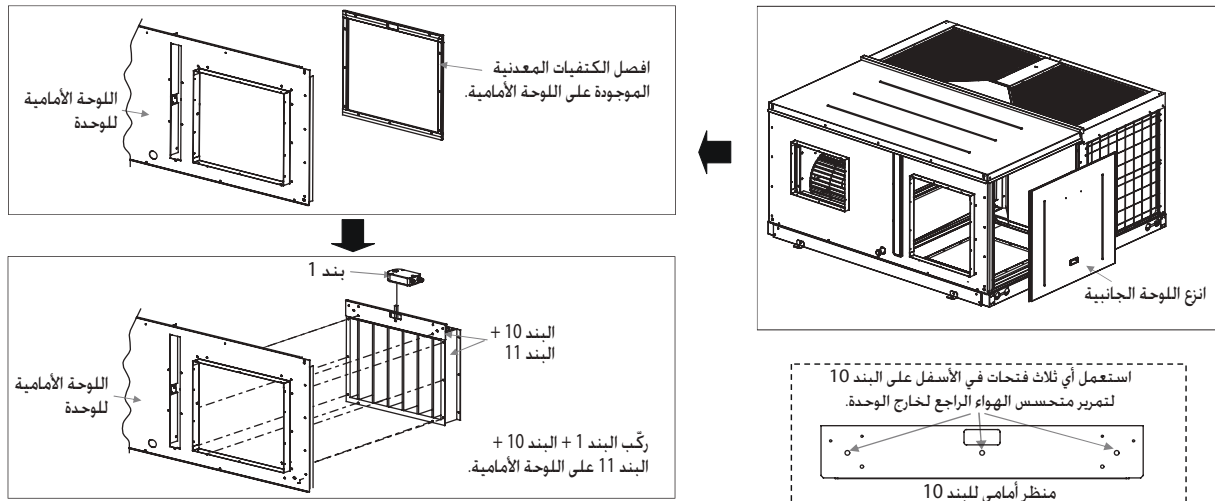
الخطوة 5

- انزع اللوحة الجانبية. ثم، افصل الكتفية المعدنية (4 قطع) الموجودة على اللوحة الأمامية. ركب دامبر الهواء الراجع (بند 11) + كتفية الدعم، دامبر الهواء الراجع (بند 10) + المشغّل الميكانيكي LF24-SR (بند 1) التي تم تجميعها في الخطوة 3 والخطوة 4 على اللوحة الأمامية من الوحدة باستعمال نفس فتحات البراغي. استعمال البرغي M5x16 (بند 13) لغرض الربط.

تنبيه



مَدّد متحسس الهواء الراجع الموجود داخل الوحدة (على قمة فتحة الهواء الراجع) إلى المنطقة الخارجية من الوحدة. يمكن أن يتم عمل هذا بتمرير المتحسس من خلال الفتحات الصغيرة على كتفية الدعم. دامبر الهواء الراجع (مادة 10). بعد ذلك يتم وضع المتحسس بشكل صحيح داخل أنبوب الهواء الراجع باستعمال ربطة السلك (تزويد في الموقع). عدم عمل ذلك يمكن أن يؤثر على أداء الوحدة ويسبب مضايقة حرارية للمستعملين.



(iv)

مكان التركيب

- اتبع التوصيات المبينة في القسم (A) تحت فصل "تركيب الوحدة" في هذا الكتيب. بالإضافة إلى ذلك، هناك حاجة لاعتبار حالة التركيب حول المجموعة حيث:
- يجب أن لا يحتوي فراغ غطاء المطر من الأرضية لا على ثلج ولا على تراكم للماء.
 - يجب أن لا يواجه مدخل الهواء النقي اتجاه الهواء السائد.
 - يجب أن يكون الهواء الخارجي دائماً نظيفاً وبدون رائحة. ويمثل لحد تركيز عدة ملونات موضوعة من قبل المعايير المحلية، ولا يتجاوز حد القيمة المحدودة (TLV) للسمية المحددة بالمعايير المحلية.

(v)

وظيفة الدامبر

افحص الدامبرين في مجموعة الموقر، وهي البند 2 والبند 11 بواسطة تدوير عمود الدامبر $+90^\circ$ و -90° (فتح بالكامل إلى إغلاق بالكامل أو العكس بالعكس). يجب أن يكون تدوير الدامبر ناعم وسهل. يجب إعلام قسم الخدمة عن أية أضرار أو حالات غير طبيعية.

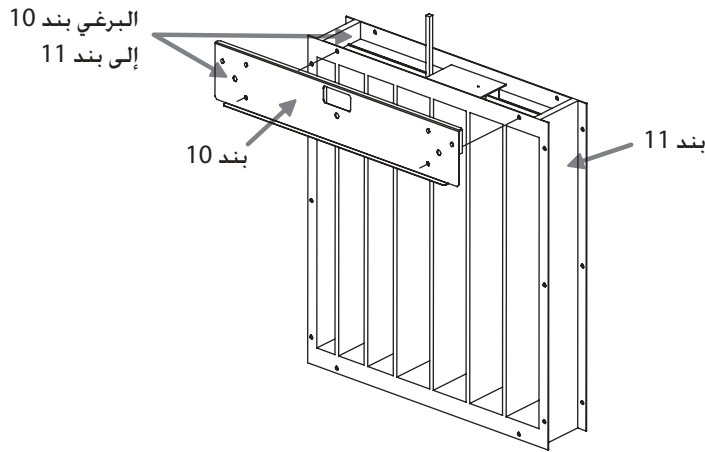
ج الأدوات والمواد المطلوبة للتركيب

(i)	مفك براغي كهربائي مع فتحات متنوعة	(vii)	مفتاح ربط قابل للتعديل (حجم صغير)
(ii)	مثقب كهربائي مع فتحات متنوعة	(viii)	مخل ومطرقة
(iii)	مفك النصل مستوي صغير	(ix)	مانع تسرب مقاوم - للطقس (مثل السيلكون)
(iv)	قطاعه	(x)	حشوية
(v)	مفك براغي نوع فيليب	(xi)	بطاقة إغلاق الأمان
(vi)	شريط قياس أو مسطرة	(xii)	رطة سلك

د تعليمات تركيب

(i) تطبيق الرجوع (الأفقي) الجانبي

- الخطوة 1
- افصل تزويد الطاقة الكهربائية للوحدة وركّب بطاقة قفل الأمان قبل التركيب. اختبار الجهاز أو خدمة وحدة الموقر. حضّر كل الأدوات المطلوبة كما هو مذكور في الأعلى.
- الخطوة 2
- افتح صندوق الشحن الخشبي لمجموعة الموقر باستعمال المخل والمطرقة. ثم، انزع الأكياس التي تحتوي على الأجزاء والمنبتات المفككة باستعمال القطاعه. اعمل فحص قبل التركيب كما هو مذكور أعلاه.
- الخطوة 3
- ضع كتفية الدعم، دامبر الهواء الراجع (بند 10) على دامبر الهواء الراجع (بند 11) باستعمال البرغي M5x16 (بند 13) المزودة في المجموعة.



الخطوة 4

- ركب المشغّل الميكانيكي Belimo (1 قطعة). LF24-SR (بند 1) المميزة بالعلامة "RA" على دامبر الهواء الراجع (بند 11). وازن وادخل فتحة المشغّل الميكانيكي في عمود الدامبر.

تنبيه 1

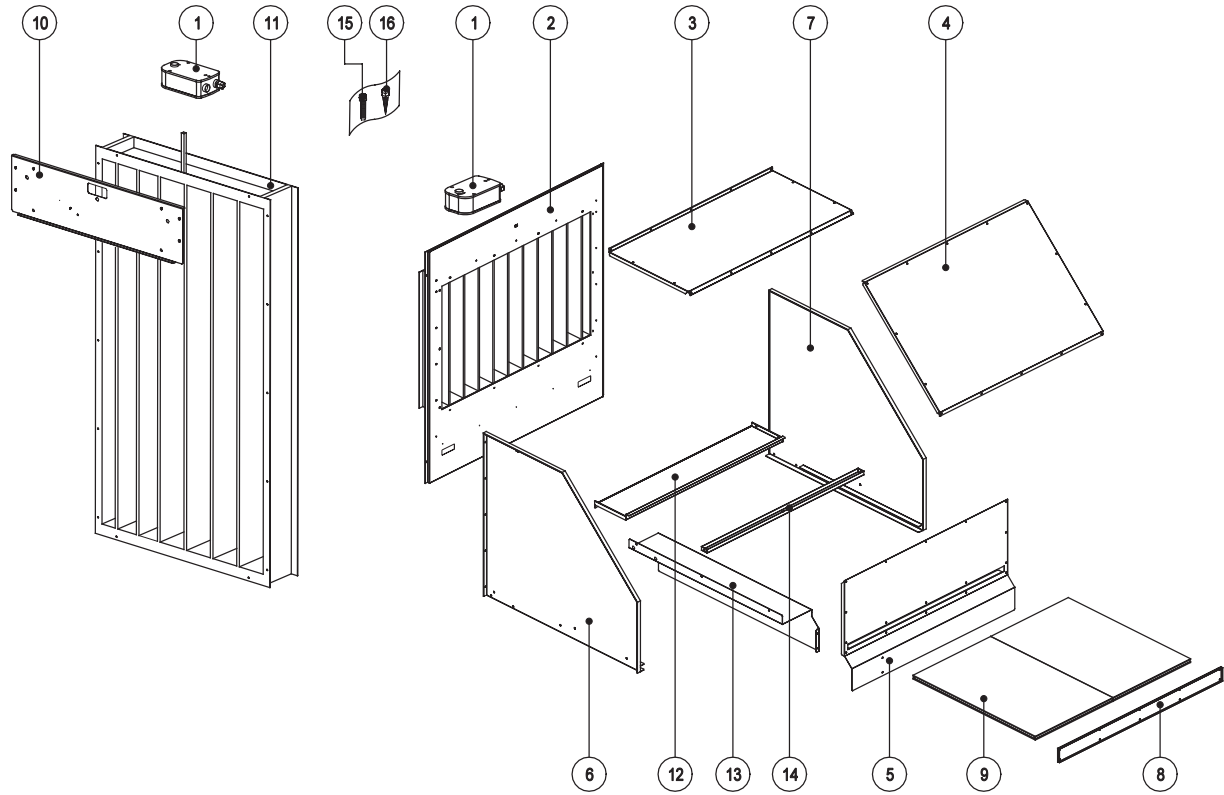


يجب فتح الضبط الأصلي لدامبر الهواء الراجع (بند 11) بصورة كاملة. تأكد من أن هذا الدامبر على وضع "مفتوح بالكامل" قبل تركيبه على المشغّل الميكانيكي. سوف يسبب عدم التقيد في ذلك حصول أخطاء أثناء التشغيل العادي للوحدة.

تنبيه 2



يجب تميز سطح المشغّل الميكانيكي الذي يواجه للأعلى/للخارج بالرمز "L" لضمان دوران تعديل المشغّل الميكانيكي باتجاه عقرب الساعة. سوف يسبب عدم التقيد في ذلك حصول أخطاء أثناء التشغيل الوحدة مع وظيفة الموقر.



الكمية (المجموعة)	وصف البند	الرقم
1	المرشح	9
1	كتفية الدعم، دامبر الهواء الراجع	10
1	دامبر الهواء الراجع	11
1	الغطاء، اللوحة السفلية	12
1	شفة، الهواء هود 1	13
1	تصفية الدعم	14
97	البرغي، M5x16	15
4	البرغي، M4x12	16

الكمية (المجموعة)	وصف البند	الرقم
2	المشغل الميكانيكي LF24-SR، Belimo	1
1	اللوحة الجانبية مع دامبر الهواء الخارجي	2
1	الغطاء، اللوحة العلوية	3
1	الغطاء، اللوحة المركزية	4
1	الغطاء، اللوحة جبهة	5
1	الغطاء، اللوحة الجانبية اليسرى	6
1	الغطاء، اللوحة الجانبية اليمنى	7
1	غطاء المرشح	8

ملاحظة

اتصل بقسم الخدمة إذا كانت الملحقات متضررة أو غير كاملة.

(iii) مسافة الوحدة

اترك فراغا كافيا لتدفق الهواء، والصيانة وتوصيل الأسلاك بعد تركيب الوحدة. يجب أن لا يكون هناك عوائق لتدفق الهواء في هذا الفراغ. ارجع إلى القسم (F) تحت فصل "تركيب الوحدة" في هذا الكتيب. يمكن أن يسبب عدم التقيد بترك الفراغات حصول تدفق منخفض للهواء أو حصل عطل بالوحدة.

مجموعة الموقر هي ملحقة مزودة من قبل المصنع. لكن تتطلب تركيب في الموقع. مجموعة الموقر متوافقة مع موديلات R410A السقفية. إذا كنت غير من متأكد من إمكانية استعمال هذه المجموعة مع وحدتك الخصوصية، يرجى الاتصال مع قسم الخدمة المفوض. تسمح مجموعة الموقر بمزج الهواء الخارجي مع الهواء الراجع للتبريد "الحار" إذا كانت درجة حرارة الهواء الخارجية مناسبة. يمكن استعمال تبريد الموقر على انفراد أو بالتزامن مع التبريد الميكانيكي. إضافة إلى ذلك، يمكن أيضا استعمال مجموعة الموقر لتزويد هواء التهوية وهكذا يمكن أن تتحسن جودة الهواء الداخلي. من الضروري اختيار مجموعة الموقر الصحيحة. ارجع للجدول في الأسفل لدليل اختيار المجموعة:

الرقم	وحدة السقف	مجموعة الموقر التي تكون متوافقة مع وحدة السقف
1	UATYQ250	ECONO250
2	UATYQ350	ECONO350
3	UATYQ450	ECONO450
4	UATYQ550	ECONO550
5	UATYQ600	ECONO600
6	UATYQ700	ECONO700
7	UATYQ900	ECONO900

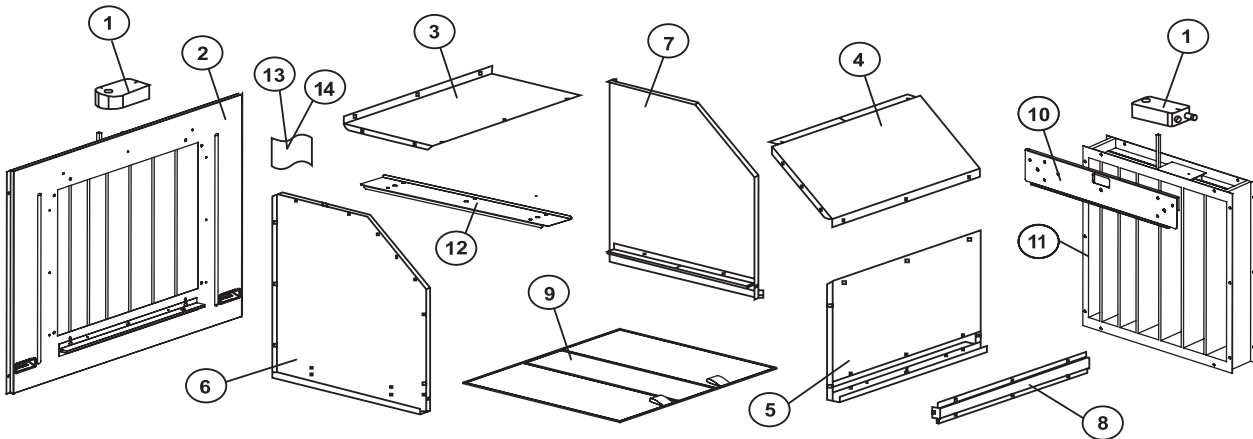
ملاحظة

يمكن أن يسبب الاختيار الخاطئ عدم المقدرة على التجميع مع وحدة السقف.

الفحص قبل التركيب

(i) محتويات مجموعة الموقر

قبل التركيب، ينصح بفحص محتويات مجموعة الموقر بعد نزع التغليف. تتضمن المجموعة المكونات التالية:



الرقم	وصف البند	الكمية (المجموعة)
8	غطاء المرشح	1
9	المرشح	1
10	كتفية الدعم، دامبر الهواء الراجع	1
11	دامبر الهواء الراجع	1
12	كتفية الدعم، قذف سفلي	1
13	البرغي، M5x16	55
14	البرغي، M4x12	4

الرقم	وصف البند	الكمية (المجموعة)
1	المشغل الميكانيكي LF24-SR.Belimo	2
2	اللوحة الجانبية مع دامبر الهواء الخارجي	1
3	الغطاء، اللوحة العلوية	1
4	الغطاء، اللوحة المركزية	1
5	الغطاء، اللوحة السفلية	1
6	الغطاء، اللوحة الجانبية اليسرى	1
7	الغطاء، اللوحة الجانبية اليمنى	1

* الشريحة الداعمة الموجودة بالأسفل (العنصر 12) غير موجودة في ECONO700.

عادة، اسطوانة او علبة مادة التبريد R410A مجهزة بانبوب - غطس لسحب السائل. مع ذلك، اذا لم يتوفر انبوب - الغطس، اقلب الاسطوانة او العلبة لسحب السائل من الصمام الموجود في الاسفل.

تنبيه



- يجب شحن مادة التبريد R410A كسائل. عادة اسطوانة او علبة مادة التبريد R410A مجهزة بانبوب - غطس لسحب السائل. في حالة عدم وجود انبوب - غطس، يجب قلب الاسطوانة لسحب السائل R410A من الصمام.
- لا تضيف مادة تبريد فوق المادة الموجودة سابقاً عند اجراء تصليح للتسرب. لان ذلك سوف يقلل من أداء الوحدة. افرغ ونظف الوحدة بالكامل و بعد ذلك اشحن مادة تبريد R410A جديدة حسب الكمية الموصى بها في قسم المواصفات.

دليل التحري عن الخلل و الصلاحه

من اجل المعلومات حول قطع احتياط يرجى الاتصال بوكيل المرخص. اذا تم ملاحظة أي قصور بوحدة مكيف الهواء، افحص حالات العطل والأسباب التالية من اجل بعض النقاط البسيطة المفيدة في البحث عن العطل وإصلاحه.

العمل	الأسباب	المشكلة
<ul style="list-style-type: none"> ● اضغط الزر [ON/OFF] بعد استعادة الطاقة الكهربائية. ● استبدل الفاصمة او اعد ضبط قاطع الدائرة الكهربائية. ● عدّل طور الأسلاك. 	<ul style="list-style-type: none"> ● عطل بالطاقة الكهربائية. ● انفجرت الفاصمة او انفصل قاطع الدائرة الكهربائية. ● طور اسلاك تزويد الطاقة الكهربائية غير صحيح. 	الوحدة لا تشتغل.
<ul style="list-style-type: none"> ● انتظر لمدة 3 دقائق لبدء تشتغل الضاغطة. 	<ul style="list-style-type: none"> ● الحماية ضد التشغيل المتكرر. 	الضاغطة لا تشتغل خلال 3 دقائق بعد بدء تشغيل الوحدة.
<ul style="list-style-type: none"> ● نظّف المرشح. ● ازل العوائق. 	<ul style="list-style-type: none"> ● المرشح ممتلئ بالغبار والأوساخ. ● يوجد هناك بعض العوائق على فتحة دخول او خروج الهواء للوحدات. 	تدفق الهواء منخفض.
<ul style="list-style-type: none"> ● نظّف مرشح الهواء. ● اعد ضبط درجة الحرارة. 	<ul style="list-style-type: none"> ● مرشح الهواء غير نظيف. ● ضبط درجة الحرارة منخفض جداً (للتبريد). ● ضبط درجة الحرارة مرتفع جداً (للتدفئة). 	الضاغطة تشتغل بشكل مستمر.
<ul style="list-style-type: none"> ● اضبط درجة الحرارة على درجة اقل. ● اضبط درجة الحرارة على درجة اعلى. 	<ul style="list-style-type: none"> ● ضبط درجة الحرارة مرتفع جداً (للتبريد). ● ضبط درجة الحرارة منخفض جداً (للتدفئة). 	لا يتم خروج هواء بارد اثناء دورة التبريد، او لا يتم خروج هواء ساخن اثناء دورة التدفئة.
<ul style="list-style-type: none"> ● انتظر لمدة قليلة. (سوف يستأنف التشغيل بعد إزالة الجليد). 	<ul style="list-style-type: none"> ● الوحدة في وضع إزالة الجليد. 	في ضع دورة التدفئة، لا يتم خروج هواء ساخن (UATYQ250). او الهواء الخارج غير ساخن بشكل كافي (UATYQ350/450/550/600/700/900).

إذا استمرت بقاء العطل، يرجى الاتصال بوكيلك المحلي المرخص / فني الصيانة.

ملاحظة صالحة لتركيب فقط: عمر منتجاتنا هو عشر (10) سنوات

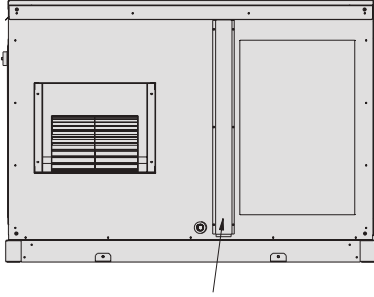
خدمة المرشح

- ازل ونظف الغبار المتراكم على المرشح بواسطة استعمال مكنسة كهربائية او اغسل بالماء الفاتر (تحت 40°م) مع مادة تنظيف متعادلة.
- اشطف المرشح بصورة جيدة وجففه قبل إعادته الى الوحدة.
- لا تستعمل البنزين. المواد المتطايرة او الكيماوية لتنظيف المرشح.
- نظف المرشح مرة واحدة كل 2 اسبوع على الأقل. او مرات اكثر عند الضرورة.

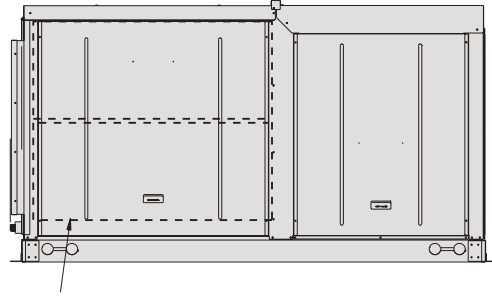
مكان المرشح

المرشحات مركبة في مقدمة المبادل الحراري الداخلي.

الوحدة المبينة في المخطط هي للموديل UATYQ250. الموديلات الاخرى يجب ان تتبع نفس الطريقة.

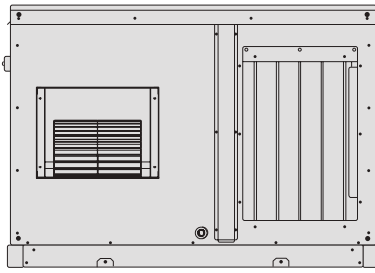


انزع غطاء المرشح لصيانة المرشح.



بدلاً عن ذلك، انزع اللوحة الجانبية لصيانة المرشح.

للوحدة المركبة مع مجموعة الموقر، يوجد مرشح إضافي واحد مركب في الجانب السفلي من غطاء المطر. الوحدة المبينة في المخطط هي الموديل UATYQ250 + مجموعة الموقر (تركيب في الموقع). بالنسبة للموديلات الأخرى يجب إتباع نفس الطريقة.



غطاء المطر (تركيب في الموقع)

انزع غطاء المرشح الموجود على غطاء المطر لصيانة المرشح.

تنبيه

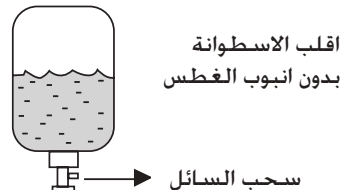
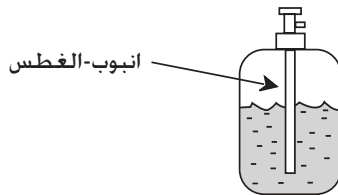


تأكد من أن المرشح موضوع بشكل صحيح وغطاء المرشح مثبت بالبرغي بإحكام بعد الخدمة لتجنب تسرب الماء. عند الضرورة، يجب وضع مانع تسرب مقاوم - للطقس لضمان مقاومة - للماء على غطاء المرشح وغطاء المطر.

التفريغ والشحن

وحدات صندوق السقف مشحونة مسبقاً في المصنع بمادة تبريد كافية. مع ذلك، يمكن ان يكون هناك حاجة للشحن اثناء اعمال التصليح والصيانة. لذلك، يجب اخذ بعض الاحتياطات لضمان تشغيل النظام بافضل ما يمكن وخالي من المشاكل:

- يجب تفريغ وتنظيف النظام بالكامل لضمان عدم وجود غاز غير قابل للانضغاط او رطوبة داخل النظام.
- استعمل مضخة تفريغ مخصصة لمادة التبريد R410A. استعمال نفس مضخة التفريغ لمادة تبريد مختلفة يمكن ان يضرر مضخة التفريغ او الوحدة.
- يجب عدم اطلاق مادة التبريد مباشرة في الجو والبيئة.
- عند شحن مادة التبريد R410A، تأكد من انه يتم فقط سحب السائل من الاسطوانة او العلبه.



اقلب الاسطوانة بدون انبوب الغطس

سحب السائل

وصلة العبور التحويلية 1 و 2 و 3: ضبط فتحة الهواء النقي بحد أدنى في وضع المروحة. حيث باختبار الدبابيس المختلفة سوف يتم إعطاء ضبط فتحة مختلف. وصلة العبور التحويلية 1 = JP1، وصلة العبور التحويلية 2 = JP2، وصلة العبور التحويلية 3 = JP3. ارجع إلى الجدول في الأسفل من اجل اختيار فتحة الهواء النقي المختلفة:-

JP3	JP2	JP1	فتحة الهواء النقي (%)
OFF	OFF	OFF	0 (ضبط أولي)
ON	OFF	OFF	10
OFF	ON	OFF	20
ON	ON	OFF	30
OFF	OFF	ON	40
ON	OFF	ON	50
OFF	ON	ON	70
ON	ON	ON	85

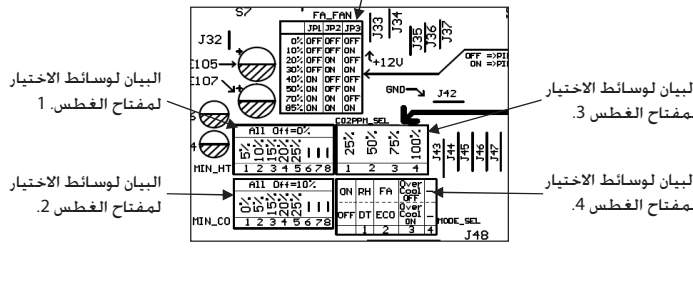
مفتاح المصطلحات: OFF = الدبوس 2 والدبوس 3 القصيرة
ON = الدبوس 1 والدبوس 2 القصيرة



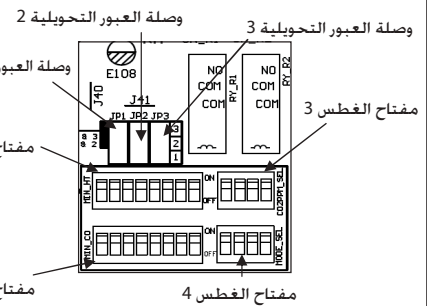
تمكّن مفاتيح الغطس 1 و 2 و 3 من اختيار الدبوس 1 فقط. سوف يسبب الاختيار المتعدد للدبابيس خطأ وسوف يذهب التشغيل إلى الضبط الأولي. ولكن مفاتيح الغطس 4 يمكن من الاختيار المتعدد للدبابيس.

البيان على لوحة جهاز سيطرة الموقر:

البيان لوسائط الاختيار لوصلة العبور التحويلية 1 و 2 و 3.



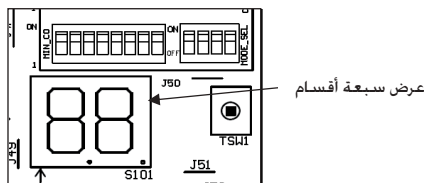
أماكن وجود مفاتيح الغطس و وصلات العبور التحويلية في لوحة جهاز سيطرة الموقر:



• يوجد مبينان LED في لوحة جهاز سيطرة الموقر، وهي مبيّن LED الأخضر و مبيّن LED الأحمر. سوف يومض مبيّن LED الأخضر عندما تشتغل لوحة جهاز سيطرة الموقر. سوف يومض مبيّن LED الأحمر عندما يحصل خطأ (أخطاء). ارجع إلى الجدول في الأسفل لمعرفة رموز الأخطاء ومعانيها:-

ملاحظة

سوف يتم عرض رموز الخطأ في عرض سبعة أقسام على لوحة جهاز سيطرة الموقر.

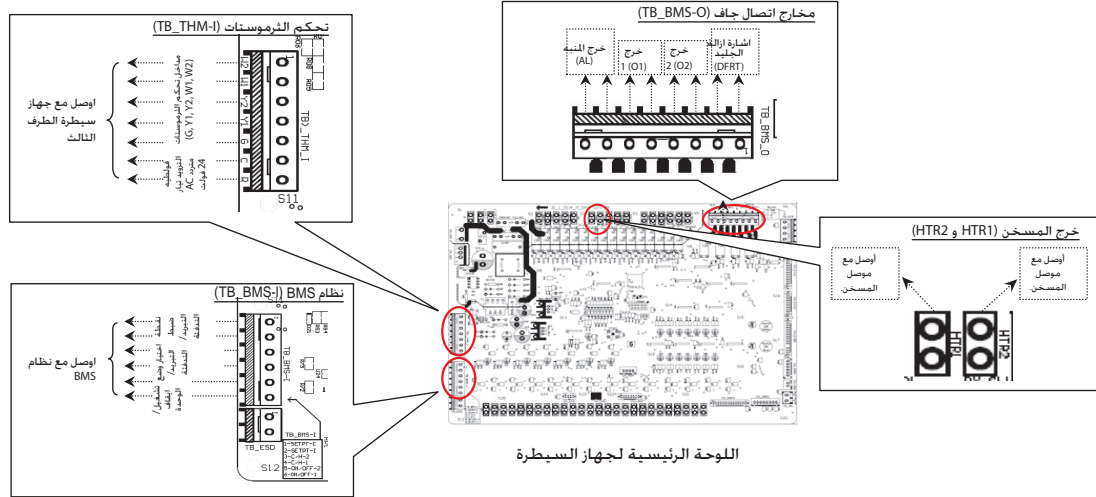


رمز الخطأ	العطل
F0	خطأ في مشغّل الهواء النقي/عطل
F1	خطأ في مشغّل الهواء الراجع/عطل
F2	خطأ اتصال
F3	تقصير متحسس CO ₂
F4	فتح متحسس CO ₂
F5	تقصير متحسس الهواء النقي RH
F6	فتح متحسس الهواء النقي RH
F7	تقصير متحسس الهواء الراجع RH
F8	فتح متحسس الهواء الراجع RH
F9	تنشيط واقى المشغّل
FA	اختيار متعدد للدبابيس في مفتاح الغطس 1 و 2 و 3

ملاحظة

عندما يحصل عطل (أعطال) وتستمر الأعطال، يرجى استدعاء العميل المحلي/فني التصليح المرخص من اجل البحث عن الأعطال والإصلاح. ومع ذلك، سوف لا تؤثر كل الأعطال التي تحدث في لوحة جهاز سيطرة الموقر على التشغيل العادي لوحدة السقف.

يبين المخطط الموجود في الاسفل موضع مجموعات الاطراف داخل لوحة جهاز السيطرة التي تستخدم لنظام تحكم الثرموستات و BMS. بالإضافة الى ذلك، معروض أيضا دبابيس الخرج للمسخن الكهربائي الاضافي.

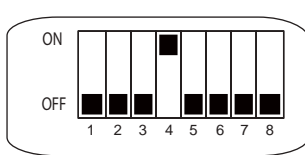


(iv) خرج المسخن الكهربائي الاضافي (HTR1 و HTR2)

- يوجد دبوسي خرج (HTR1 و HTR2) على اللوحة الرئيسية لجهاز السيطرة، والتي تستعمل لتزويد الطاقة لموصل المسخن. يجب اختيار الموصل وفقاً لذلك لتجنب خطر اي مسألة (مسائل) تتعلق بالامان.
- يجب تركيب المسخن حسب القوانين المحلية والوطنية. يجب ان يتطابق مع شروط EN60335-2-40.
- يجب تركيب فاصمة (فاصمات) حرارية على المسخن لازالة اي خطر او ضرر عن المسخن/الوحدة. هذا خطير خصوصاً عندما يحصل أي عطل في اللوحة الرئيسية لجهاز السيطرة او في المروحة.
- يجب ان يكون المسخن في مكان امين. بحيث لا يكون هناك خطر حدوث ضرر على الوحدة.
- استعمل انبوب غير قابل للاشتعال للوحدة المركبة مع مسخن.
- استعمل تزويد طاقة كهربائية مختلف للمسخن الكهربائي وركب قاطع دائرة كهربائية لكل مسخن.
- يجب ان لا يتجاوز الحد الأقصى لدرجة الحرارة داخل الوحدة 60°م. يجب ان يتم اخذ قياس درجة الحرارة اثناء التركيب او التجريب من اجل ضمان ان درجة الحرارة لا تتجاوز هذه القيمة.
- اختر جهاز امان مناسب او واقى حراري وفقاً لذلك.
- يجب عدم تركيب المسخن مطلقاً داخل الوحدة. المكان الموصى به للمسخن هو داخل انبوب التزويد. بحيث تكون مسافة المسخن كافية من اجل ضمان ان درجة الحرارة داخل الوحدة لا تتجاوز 60°م.

(v) التحكم بالموقر

- تأكد من دمج مجموعة الموقر بوحدة السقف قبل أن تنشأ وظيفة الموقر في اللوحة الرئيسية لجهاز السيطرة. بخلاف ذلك، سيحدث خطأ.
- لتنشأ وظيفة الموقر. اضبط ضبط مفتاح الغطس: تشغيل ON - SW4 (الضبط الداخلي هو إيقاف OFF) في اللوحة الرئيسية لجهاز السيطرة وبارامتر اللوحة G6 على '1' (الضبط الداخلي هو صفر '0').



ملاحظة

G6 = التحكم بالموقر
0 = إيقاف
1 = تشغيل

- في لوحة جهاز سيطرة الموقر، يوجد 4 مفاتيح غطس و 3 وصلات عبور تحويلية التي تزود اختيار مرناً استناداً على المتطلبات المختلفة:
 - مفتاح غطس 1: ضبط فتحة الهواء النقي بحد أدنى في وضع التدفئة، حيث باختيار الدبابيس المختلفة سوف يتم إعطاء ضبط فتحة مختلف. SW1 : 5% . SW2 : 10% . SW3 : 15% . SW4 : 20% . SW5 : 25% . SW6/7/8 : بدون وظيفة. ضبط أولي: 0% (بدون اختيار، الكل إيقاف OFF).
 - مفتاح غطس 2: ضبط فتحة الهواء النقي بحد أدنى في وضع التبريد. حيث باختيار الدبابيس المختلفة سوف يتم إعطاء ضبط فتحة مختلف. SW1 : 0% . SW2 : 5% . SW3 : 15% . SW4 : 20% . SW5 : 25% . SW6/7/8 : بدون وظيفة. ضبط أولي: 10% (بدون اختيار، الكل إيقاف OFF).
 - مفتاح غطس 3: اختبار قيمة مرحلة مستوى CO₂ PPM. حيث باختيار الدبابيس المختلفة سوف يتم إعطاء ضبط قيمة مختلف. SW1 : 25% . SW2 : 50% . SW3 : 75% . SW4 : 100% (بدون اختيار، الكل إيقاف OFF).
 - مفتاح غطس 4: نوع التشغيل، الذي يتضمن الاختيار التالي:-
 - SW1: OFF = تشغيل درجة الحرارة التفاضلية (أولي). ON = لا يوجد وظيفة في هذه اللحظة.
 - SW2: OFF = وضع الموقر (أولي). ON = وضع الهواء النقي.
 - SW3: OFF = الحماية من التبريد المفرط نشيطة (أولي). ON = الحماية من التبريد المفرط غير نشيطة.

- ارجع للجدول بالاسفل لتوصيات التركيب:

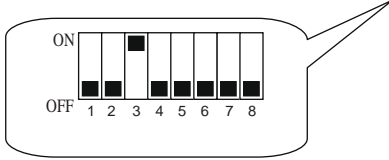
مقاس السلك	معدل التيار	معدل الفولطية	دخل
AWG18~22	5mA	24V AC	G
			Y1
			Y2
			W1
			W2

ملاحظة

- عند تشكيل اللوحة الرئيسية لجهاز السيطرة كمتحكم ثيرموستات. تستعمل وحدة السيطرة عن بعد لغرض المراقبة فقط.
- تحتاج الوحدة الى اعادة بدء التشغيل (توصيل وفصل الطاقة الكهربائية) كلما تم تغيير ضبط مفتاح الغطس.

(TB_BMS-I) تحكم BMS (ii)

- لاستعمال هذا الضبط. اضبط ضبط مفتاح الغطس: تشغيل SW3 - ON (الضبط الداخلي هو إيقاف OFF) و بارامتر اللوحة G8 على '1' (الضبط الداخلي هو صفر '0').



ملاحظة

- نوع التحكم = G8
- اللوحة = 0
- BMS = 1
- DEC = 2

- للوضع TB_BMS-I. يوجد 3 مداخل تحكم: تشغيل/إيقاف الوحدة: وضع التشغيل (تبريد/0-تدفئة-1). و نقطة الضبط (4~20 مللي امبير)
- ارجع للجدول في الاسفل لتوصيات التركيب:

مقاس السلك	معدل التيار	معدل الفولطية	دخل TB_BMS-I
AWG18~22	5mA	24V AC	تشغيل/إيقاف
	5mA	24V AC	وضع التشغيل
	4~20mA	-	نقطة ضبط التبريد/التدفئة

ملاحظة

- عند ضبط اللوحة الرئيسية لجهاز السيطرة كتحكم BMS. تستعمل وحدة التحكم عن بعد لغرض المراقبة فقط.
- تحتاج الوحدة الى اعادة بدء التشغيل (توصيل وفصل الطاقة الكهربائية) كلما تم تغيير ضبط مفتاح الغطس.

(iii) خرج اتصال جاف TB_BMS-O

- للوضع TB_BMS-O. يوجد 4 مداخل مراقبة: منبه الخطأ: خرج 1. و إشارة ازالة الجليد: خرج 2.
- ارجع للجدول بالاسفل لتوصيات التركيب:

مقاس السلك	معدل التيار (A)	معدل الفولطية	دخل TB_BMS-O
AWG18~22	1/3/3	230V AC/125V AC/30V DC	خرج المنبه (AL)
	2/3/3	230V AC/125V AC/30V DC	خرج 1 (O1)
	3/3/3	230V AC/125V AC/30V DC	خرج 2 (O2)
	4/3/3	230V AC/125V AC/30V DC	إشارة ازالة الجليد (DFRT)

- سوف تختلف إشارات الخرج اعتماداً على ضبط اللوحة الرئيسية لجهاز السيطرة. فيما إذا كانت تحكم ثرموستات أو تحكم BMS.

(1) لتحكم الثرموستات. المخارج مبينة كما هو معروض في الجدول في الاسفل.

مقاس السلك	معدل التيار (A)	معدل الفولطية	دخل TB_BMS-O
AWG18~22	1/3/3	230V AC/125V AC/30V DC	خرج المنبه (AL)
	2/3/3	230V AC/125V AC/30V DC	خرج 1 (O1)
	3/3/3	230V AC/125V AC/30V DC	خرج 2 (O2)
	4/3/3	230V AC/125V AC/30V DC	إشارة ازالة الجليد (DFRT)

ملاحظة: X = لا تبالي.

(2) لتحكم BMS. المخارج مبينة كما هو معروض في الجدول في الاسفل.

مقاس السلك	معدل التيار (A)	معدل الفولطية	دخل TB_BMS-O
AWG18~22	1/3/3	230V AC/125V AC/30V DC	خرج المنبه (AL)
	2/3/3	230V AC/125V AC/30V DC	خرج 1 (O1)
	3/3/3	230V AC/125V AC/30V DC	خرج 2 (O2)
	4/3/3	230V AC/125V AC/30V DC	إشارة ازالة الجليد (DFRT)

ملاحظة: X = لا تبالي.

مدى التشغيل

تأكد من ان درجة حرارة التشغيل هي ضمن النطاق المسموح به. كما هو مشروح في المخطط في الاسفل:

تنبيه



يمكن ان ينتج عن استعمال مكيف الهواء خارج نطاق درجة حرارة التشغيل والرطوبة إخفاق خطير بالتشغيل.

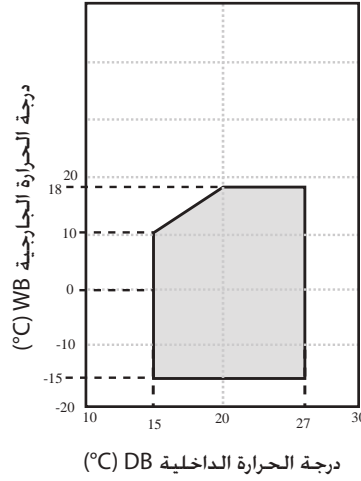
ملاحظة

ارجع إلى مدى تشغيل الوحدة مع اختبار الموفر. في القسم (E) النقطة (vi) في فصل "الملحقات الإضافية".

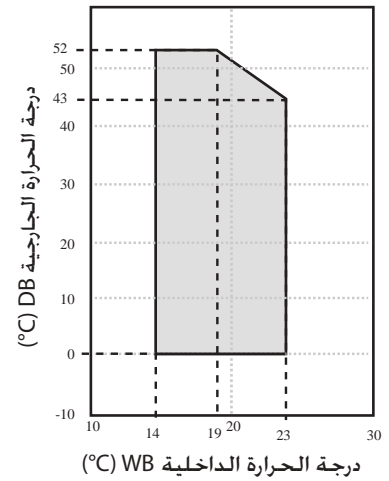
DB = بصيلة جافة

WB = بصيلة رطبة

التدفئة



التبريد



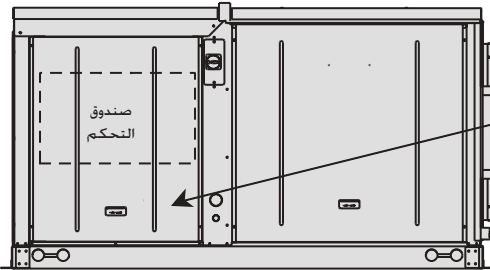
دليل تشغيل التحكم

الوحدة مجهزة بلوحة رئيسية لجهاز السيطرة. و وحدة تحكم عن بعد موصولة مع اللوحة الرئيسية لجهاز السيطرة. جميع الضبوطات في الوحدة هي مضبوطة مسبقا من قبل المصنع. لا يوصي بتغيير الضبط إلا في حالة الضرورة أو كما هو مذكور في الأسفل.

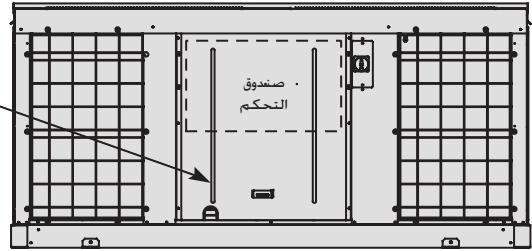
(أ) مكان وحدة التحكم عن بعد

وحدة التحكم عن بعد موجودة على كتيفة معدنية خلف لوحة الصيانة. مرفقة مع كتيب التركيب.

UATYQ250



UATYQ350, 450, 550, 600, 700 & 900



انزع اللوحة

(ب) شاشة LED (اللوحة الرئيسية لجهاز السيطرة)

سوف تومض شاشة LED عندما يتم توصيل الطاقة للوحدة.

(ج) شاشة LCD (وحدة التحكم عن بعد)

اثناء التشغيل العادي، تعرض شاشة LCD حالة تشغيل/إيقاف الضاغطة، الوضع، درجة الحرارة المضبوطة وهكذا. ارجع الى كتيب التشغيل من اجل تفاصيل دليل التشغيل. سوف تعرض شاشة LCD الشاشة الرئيسية عند توصيل الطاقة الكهربائية، عند حدوث عطل بالتشغيل، سوف تظهر رسالة على شاشة LCD مع وميض باضاعة خلفية وصوت "بيب".

(د) الترتيب الاختياري

يمكن استعمال اللوحة الرئيسية لجهاز السيطرة كتوصيل للتحكم الترموستات ونظام BMS.

(i) تحكم الترموستات (TB_THM-I)

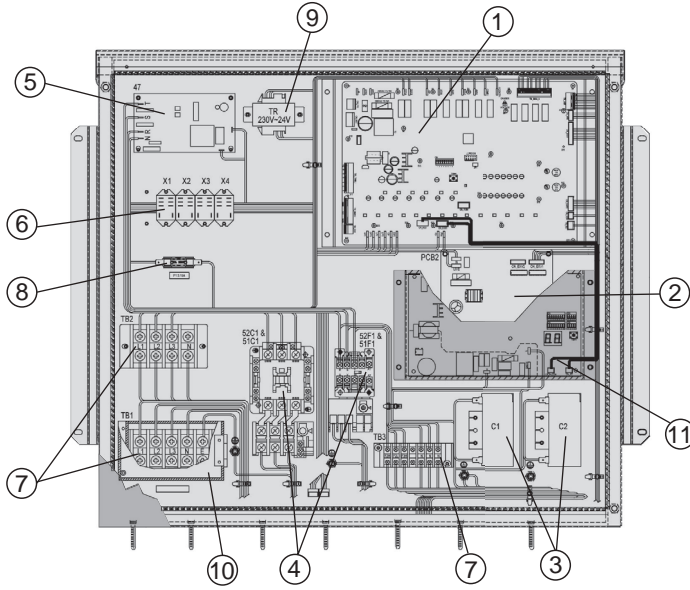
- لاستعمال هذا التحكم، اضبط ضبط مفتاح الغطس: تشغيل SW1-ON (الضبط الداخلي هو إيقاف OFF).
- اتبع الطريقة بالاسفل لمداخل التحكم بالترموستات:



التشغيل	الوضع	W2	W1	Y2	Y1	G
إيقاف الوحدة	-	0	0	0	0	0
تشغيل المروحة الداخلية	المروحة	0	0	0	0	1
الضاغطة المرحلة 1	تبريد	X	X	0	1	X
الضاغطة المرحلة 2	تبريد	X	X	1	1	X
الضاغطة المرحلة 1	المضخة الحرارية/المسخن	0	1	X	0	X
الضاغطة المرحلة 2	المضخة الحرارية/المسخن	1	1	X	0	X

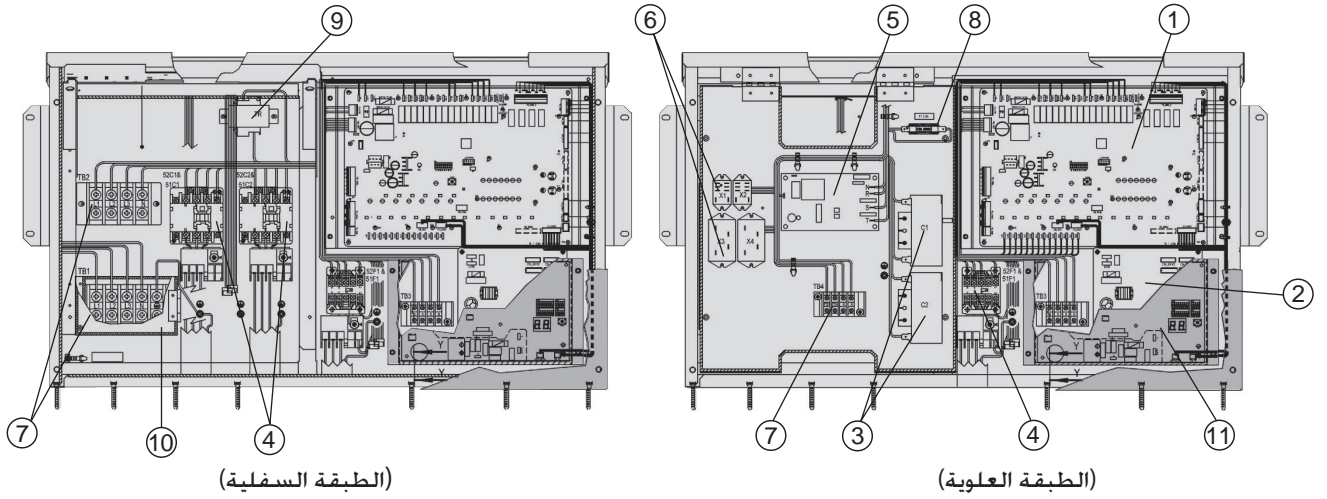
ملاحظة: X = لا تبالي.

قسم التحكم UATYQ250 أ

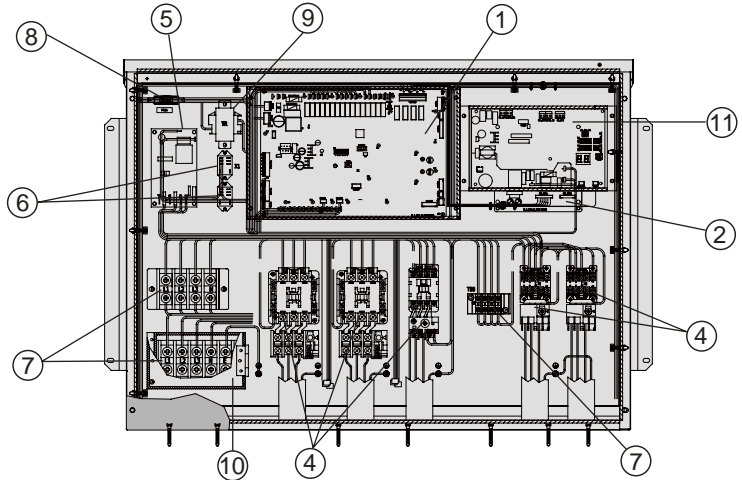


الرقم	شرح البند
①	اللوحة الرئيسية لجهاز السيطرة
②	لوحة جهاز السيطرة EXV
③	مكثف
④	موصل
⑤	واقى الطور
⑥	مرحل
⑦	مجموعة الاطراف
⑧	فاصمة
⑨	محوّل
⑩	غطاء مجموعة الاطراف
⑪	لوحة جهاز سيطرة الموقر

قسم التحكم UATYQ350/450/550 ب



قسم التحكم UATYQ600/700/900 ج



تحذير



ما لم يتم تشغيل مفتاح الإمداد الرئيسي قبالة، فإن محطة كتلة (TB1) تظل حية عند تشغيل خارج المعزل.

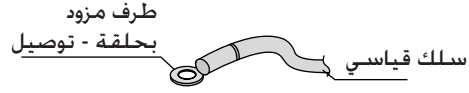
ملاحظة

يجب استعمال البند 11 (لوحة جهاز سيطرة الموقر) مع مجموعة الموقر مع بعض والمزودة بشكل منفصل كملحقة.

تحذير



- قبل العمل في هذه الوحدة، اعزلها وافصلها من تزويد الطاقة الكهربائية.
- يجب تركيب الأسلاك الكهربائية لهذه الوحدة ولوحدة التحكم عن بعد حسب المتطلبات الصحيحة لشيفرة الأسلاك المحلية.

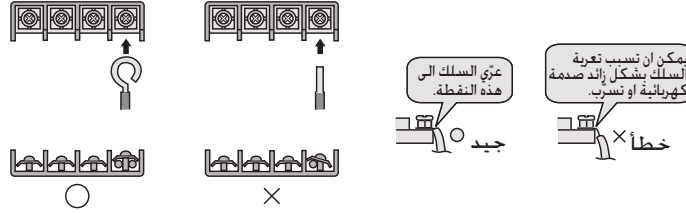


لاحظ الملاحظات المذكورة بالأسفل عن التوصيل مع مجموعة الأطراف.
يجب اخذ الحيطه والحذر عند توصيل شبكة تزويد الطاقة الكهربائية.
(استعمل اطراف مزودة بحلقة توصيل للتوصيل مع مجموعة الأطراف.
في حالة عدم إمكانية استعمالها بسبب عدم التوفر. تأكد من ملاحظة
التعليمات التالية.)

تنبيه



عند توصيل أسلاك التوصيل مع مجموعة الأطراف استعمال سلك قلب مفرد. وتأكد من عمل السلك على شكل ضفيرة.
المشاكل في العمل يمكن ان تسبب حرارة وحريق.



تعرية السلك عند مجموعة الأطراف

- اسحب السلك وتأكد من انه لا ينفصل. بعد ذلك تثبت السلك في المكان بمثبت سلك.

تحذير



- يجب تمديد سلك الإرسال على مسافة 50م على الأقل بعيدا من سلك الطاقة الكهربائية.
- يجب أن يكون سلك الإرسال محجوبا.

توصيل الاسلاك

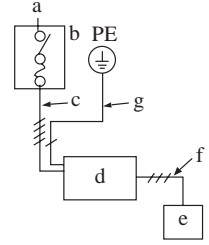
- جب القيام بجميع اعمال الاسلاك الكهربائية من قبل فني كهربائي مختص ومؤهل وحسب متطلبات التزويد المحلية والقوانين المتعلقة بذلك.

طريقة توصيل الاسلاك الكهربائية

قبل توصيل الاسلاك، استشر شركة الطاقة الكهربائية واحصل على التصاريح القانونية المتعلقة بالتركيب.

1. مخطط شبكة الاسلاك الكامل للوحدة

a	تزويد الطاقة الكهربائية
b	المفتاح الرئيسي/الفاصمة (تزويد في الموقع)
c	اسلاك تزويد الطاقة الكهربائية للوحدة
d	الوحدة
e	وحدة التحكم عن بعد
f	توصيل الاسلاك للوحدة ولوحدة التحكم عن بعد
g	تأريض



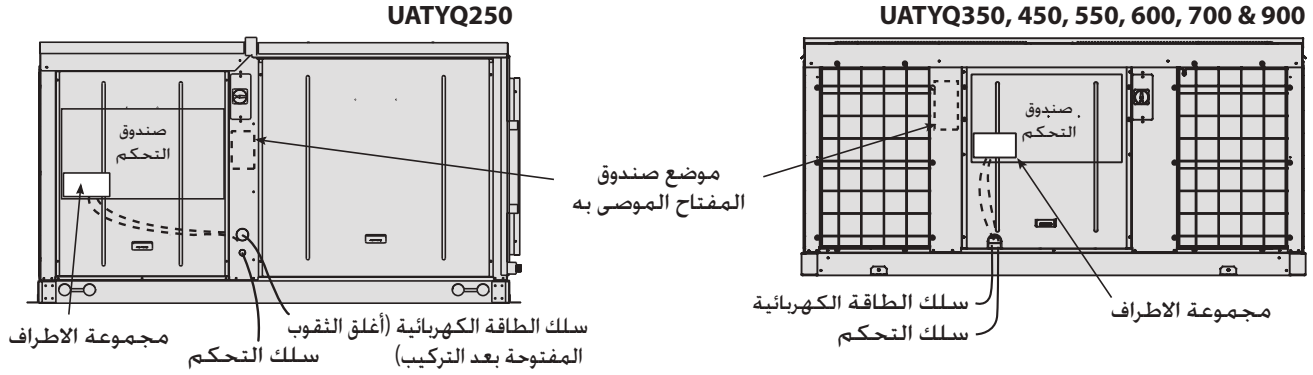
2. توصيل الاسلاك للوحدة

مرر أسلاك تزويد الطاقة الكهربائية وسلك التحكم عن بعد من خلال الثقوب القابلة للكسر أو ثقبو الأسلاك في الوحدة. انزع لوحات الصيانة ثم اوصل اسلاك تزويد الطاقة الكهربائية للوحدات مع مجموعة الاطراف داخل صندوق التحكم. كما هو معروض. استعمل روابط السلك القابلة للدفع والتحرير الموجودة في أسفل صندوق التحكم لتثبيت أسلاك تزويد الطاقة الكهربائية بشكل صحيح.

ملاحظة

اثناء تركيب قاطع الدائرة الكهربائية على الوحدة. تأكد من ان البراغي لا تضرر المكونات (مثال الملف) داخل الوحدة. يمكن ايضا تركيب صندوق المفتاح بدون التوصيل مع الوحدة.

الثقوب القابلة للكسر فقط متوفرة للموديل UATYQ250, UATYQ350, UATYQ450, UATYQ550, UATYQ600, UATYQ700 و UATYQ900 و تأتي مع ثقب سلك الطاقة.



مثال على شبكة الاسلاك واختيار قاطع الدائرة الكهربائية

سلك التأريض (مم ²)	مفتاح الحماية من زيادة التيار (امبير)	سعة القاطع (امبير)	سلك الطاقة الكهربائية (مم ²)	طراز
4	32	32	4	UATYQ250
6	40	40	6	UATYQ350
10	40	40	10	UATYQ450
10	50	50	10	UATYQ550
16	63	63	16	UATYQ600
25	80	80	25	UATYQ700
35	100	100	35	UATYQ900

ملاحظة

- المفتاح الرئيسي او وسائل الفصل الاخرى يجب ان تمتلك فاصل بين نقاط التوصيل على جميع الاقطاب. ويجب ان تركيب الاسلاك بشكل ثابت حسب القوانين المحلية والوطنية.
- يجب ان يتم توصيل اسلاك الوحدة مباشرة من لوحة توزيع كهربائية اما بواسطة قاطع دائرة كهربائية (يفضل) او فاصمة HRC.
- تثبيت اسلاك تزويد الطاقة الكهربائية مع قسم التحكم. اوصل اسلاك التحكم مع مجموعة اطراف التحكم من خلال ثقب صندوق التحكم.
- يجب توصيل سلك التأريض.
- يجب ان يتطابق سلك تزويد الطاقة الكهربائية مع شروط H07RN-F والتي هي الحد الأدنى للمتطلبات. ويجب ان تستعمل داخل انبوب واقفي.
- يجب أن يكون هناك فصل قطب كلي في مصدر الطاقة الكهربائية الرئيس مع فصل تلامس على الأقل 3 مم.

البيانات الفيزيائية

وحدة ضخ التدفئة (R410A)

UATYQ900	UATYQ700	UATYQ600	UATYQ550	UATYQ450	UATYQ350	UATYQ250	طراز
R410A							مادة التبريد
11.6/11.6	11.6/11.6	10.4/10.4	8.7/8.7	7.2/7.2	5.8/5.8	6.1	كجم شحن مادة التبريد
9600	8300	7300	6700	5650	4300	3300	CFM تدفق هواء المبخر
4531	3917	3445	3162	2667	2029	1557	L/S
21			15				mmAq الضغط الساكن الخارجي
206			147				Pa
10600/10600	10600/10600	10100/10100	6450/6450	6050/6050	6000/6000	8230	CFM تدفق هواء المكثف
5003/5003	5003/5003	4767/4767	3044/3044	2855/2855	2831/2831	3884	L/S
وحدة تحكم سقفية سلكية							التحكم
15 / 100 : 3							طول سلك التحكم (قياسي/حد أقصى) : قياس م : مم
2/لوبي	2/لوبي	2/لوبي	2/لوبي	2/لوبي	2/لوبي	1/لوبي	الضاغطة (النوع/الكمية)
سارانت قابل للغسيل/2							مرشح الهواء (النوع/الكمية)
1497 x 595 x 4	1497 x 595 x 4	1497 x 495 x 4	1497 x 392 x 4	1126 x 435 x 4	1126 x 385 x 4	880 x 467 x 4	م ابعاد مرشح الهواء (الطول x العرض x السماكة)

البيانات الكهربائية

وحدة ضخ التدفئة (R410A)

UATYQ900	UATYQ700	UATYQ600	UATYQ550	UATYQ450	UATYQ350	UATYQ250	طراز
380-415/3N~/50							V/Ph/Hz تزويد الطاقة الكهربائية
40.0/40.0	29/29	28/28	26/26	19/19	17/17	26	A الحد الأقصى للتيار المستمر (Comp)
34.0/34.0	25/25	22/22	21/21	15/15	12/12	21	A تيار حمل كامل (FLA, Comp)
174.0/174.0	118/118	118/118	111/111	101/101	74/74	111	A التيار الدوار المقفل (LRA, Comp)

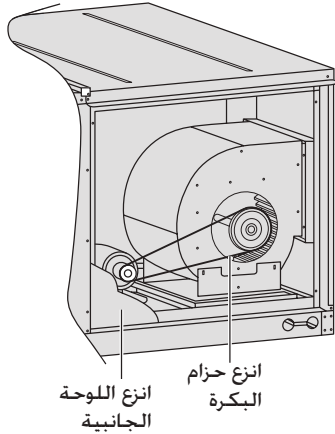
يحقق هذا المكيف المتطلبات في EN 61000-3-11 وخاضع للتوصيل المشروط مع مصدر تزويد الطاقة الكهربائية الرئيس. يمكن توصيله بالتشاور مع شركة تزويد الطاقة الكهربائية. يمكن توصيل المكيف مع مصدر تزويد الطاقة الكهربائية الرئيس مع نظام مقاومة أقل من القيمة المذكورة في الجدول في الأسفل. يمكن الحصول على مقاومة النظام في نقطة التوصيل من شركة تزويد الطاقة الكهربائية.

المقاومة القصوى (Z_{max})، اوم	طراز
0.22	UATYQ250
0.23	UATYQ350
0.21	UATYQ450
0.21	UATYQ550
0.21	UATYQ600
0.21	UATYQ700
0.20	UATYQ900

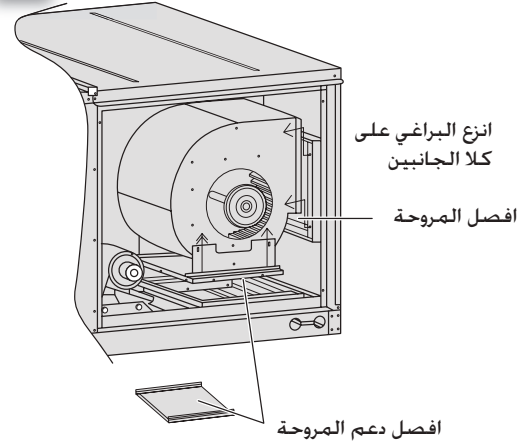
إذا امتلك مصدر تزويد الطاقة الكهربائية الرئيس مقاومة نظام أعلى. يمكن أن تظهر تضحكات قصيرة في الفولطية عندما يبدأ تشغيل المكيف أو أثناء التشغيل. يمكن أن يؤثر ذلك أو يعيق تشغيل الأجهزة الأخرى. مثل ارتعاش اللمبات الكهربائية. خصوصاً اللمبات الكهربائية الموصولة مع نفس مصدر تزويد الطاقة الكهربائية الرئيس.

في حالة تحويل الوحدة القياسية إلى وحدة قذف للأسفل. اتبع الخطوات كما هو مبين أدناه:
UATYQ250, 350, 450, 550, 600, 700 & 900

1



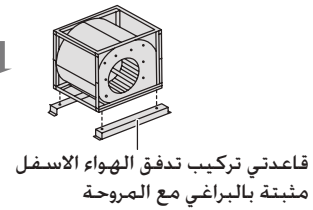
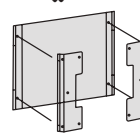
2



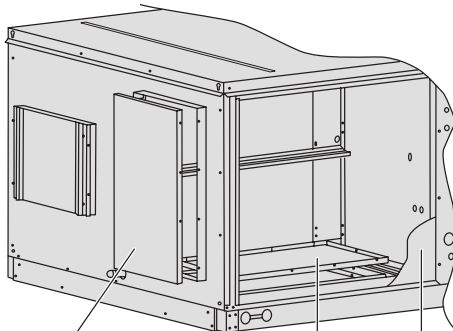
للموديل UATYQ250:

للموديل UATYQ250, 350, 450, 550, 600, 700 & 900

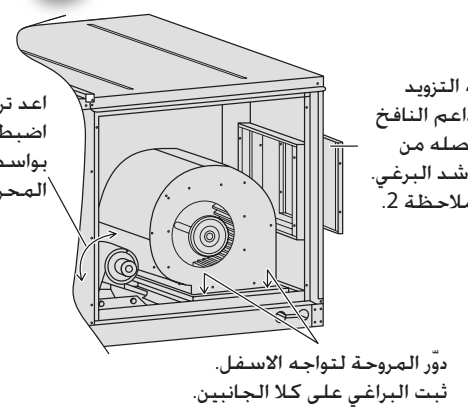
اللوحان الجانبيان مثبتان على داعم المروحة كما هو معروض



4



3



اعد تركيب حزام البكرة. اضبط شد الحزام بواسطة تحريك قاعدة المحرك

اعد تركيب حزام البكرة. اضبط شد الحزام. اخيراً. اعد تركيب اللوحة الجانبية. ارجع إلى ملاحظة 1.

ملاحظة 1

لتحويل القذف للأسفل. من الضروري تغيير طول الحزام. للوحدة ذات البكرة القياسية. طول الحزام $a =$ المسافة بين العمود والعمود للقذف للأسفل. $b = C - C$

UATYQ900	UATYQ700	UATYQ600	UATYQ550	UATYQ450	UATYQ350	UATYQ250	
1500	1500	1500	1500	1382	1457	1432	a
445	440	420	420	345	430	425	b

ملاحظة 2

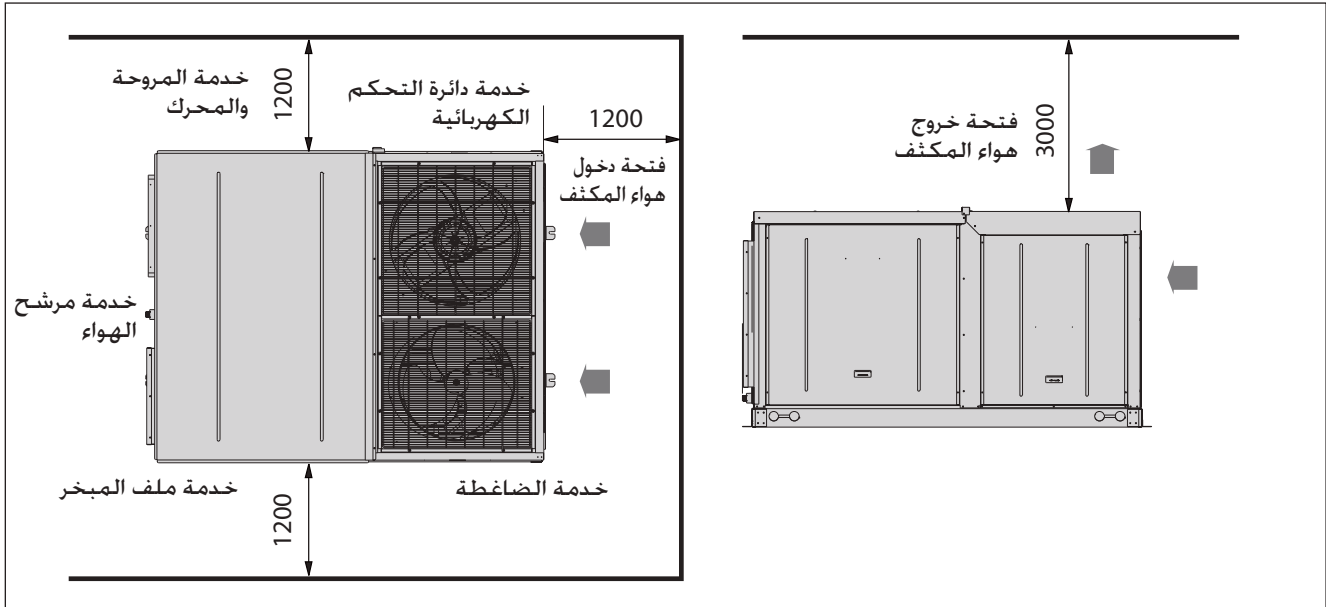
يجب وضع مانع تسرب مثل الحشوية (تزويد في الموقع) بين الغطاء والحافة المعدنية. إضافة إلى ذلك، يجب وضع سيلكون مقاوم - للطقس على كل المفاصل. ثقب البراغي والشقوق لضمان عدم تسرب الماء.

ملاحظة 3

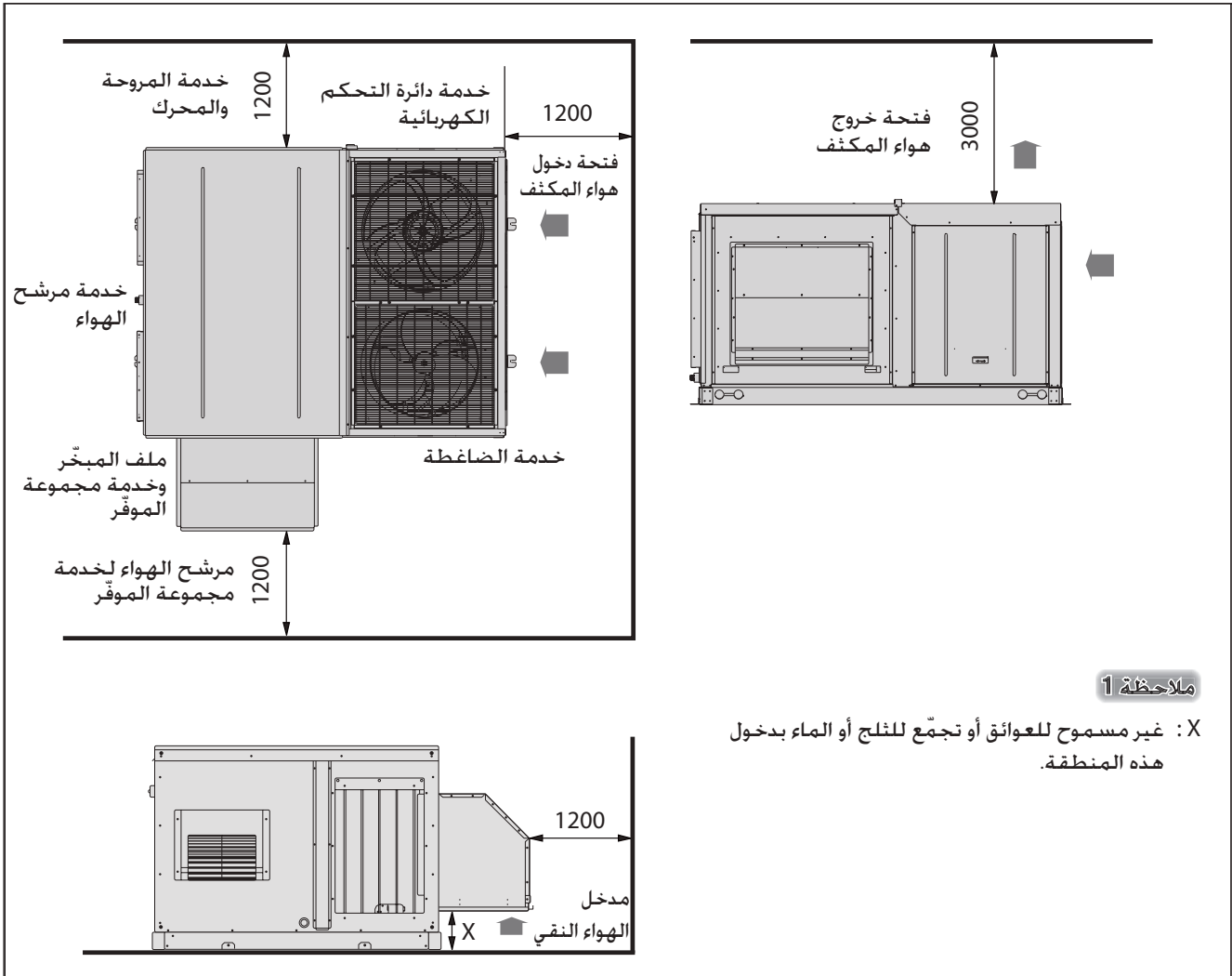
ارجع إلى كتاب البيانات الهندسية لمنحنى النافخ والبيانات التقنية لبكرة الدرجة المتغيرة.

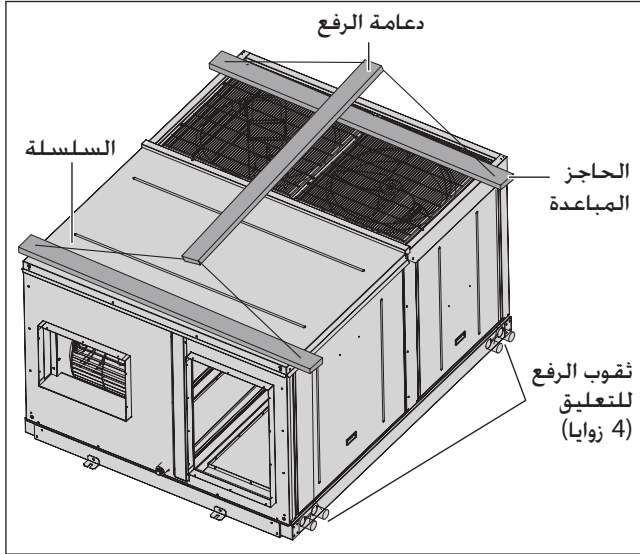
ارجع الى المخطط في الاسفل من اجل معرفة الفراغ المطلوب حول الوحدة. لاحظ ان:-

- جميع الابعاد المبينة هي بالمليمتر.
- جميع قيم الفراغ المبينة هي الحد الادنى للخلوص المطلوب للوحدة.
- الوحدة المعروضة في المخطط هي للموديل UATYQ250. الموديلات الاخرى سوف تتبع نفس الخلووص.



مطلوب فراغ او فسخة إضافية عندما يكون الموقر مركبا. عندما تكون الوحدة مجهزة بمجموعة الموقر، فانه يجب أن يكون الفراغ المطلوب حول الوحدة المجهزة بمجموعة الموقر حسب المخطط في الأسفل:-

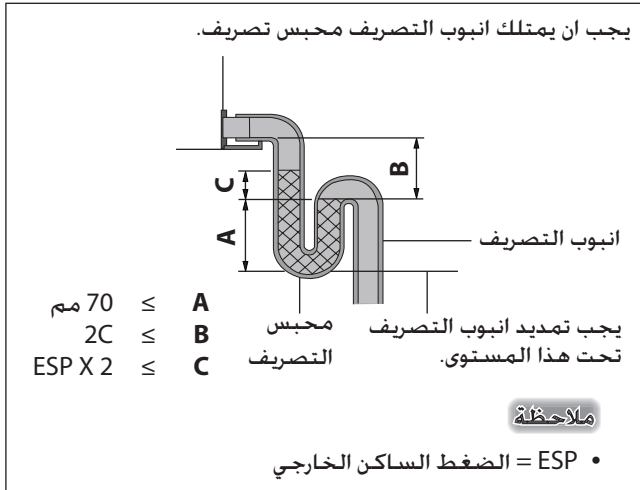




- تستخدم الثقوب الموجودة على الـ 4 زوايا لقاعدة الوحدة لغرض رفع الوحدة.
- يجب ان يكون الحاجز الفاصل اوسع بقليل من عرض الوحدة.
- يجب وضع العازل على الـ 4 زوايا للسلسلة لمنع حصول ضرر للوحة عند الرفع.

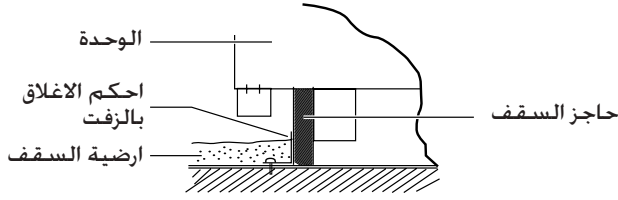
ملاحظة

- الوحدة المعروضة في المخطط هي للموديل UATYQ250.
- الموديلات الاخرى تتبع نفس الطريقة بالرفع.

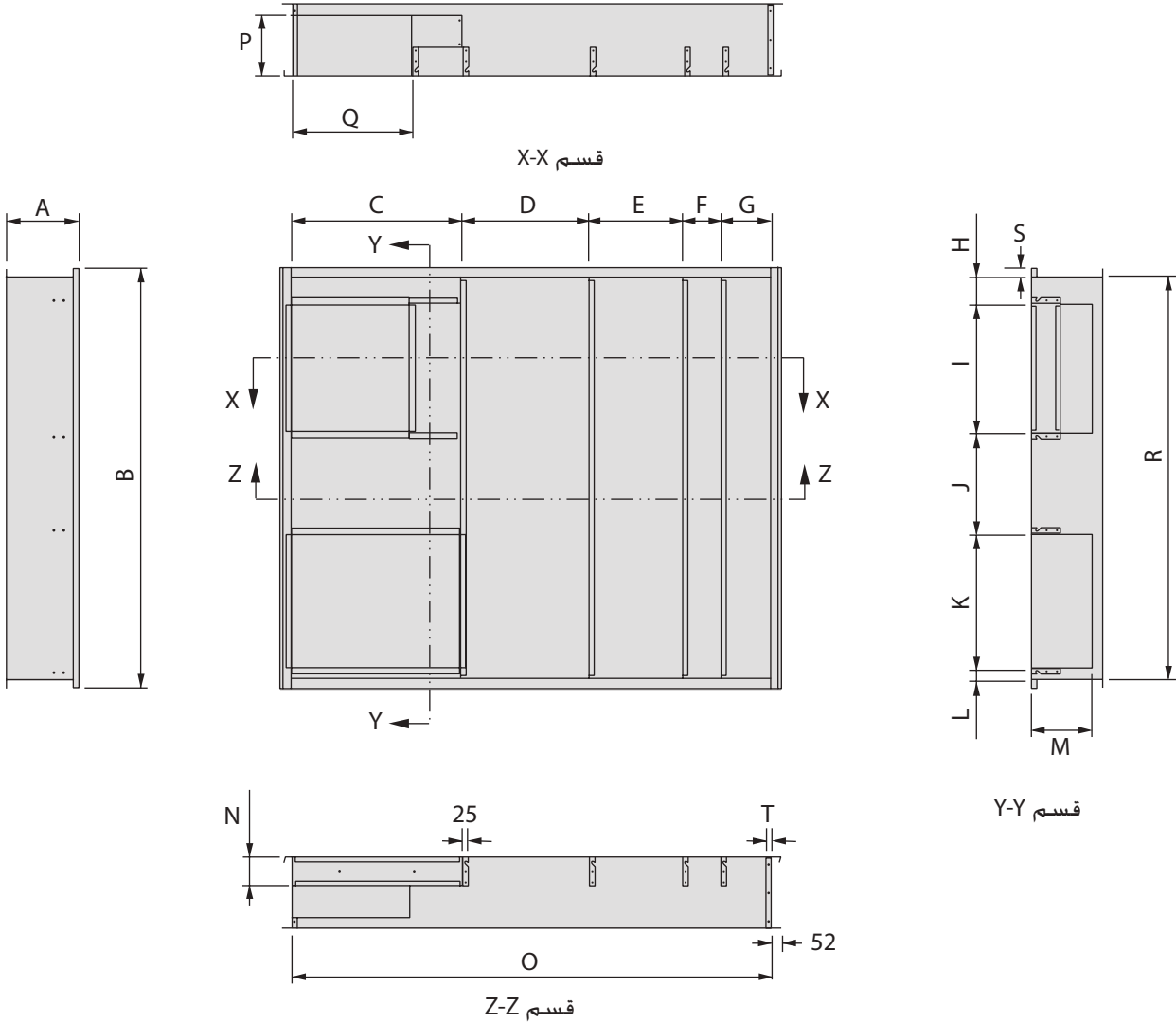


- تجهيزات تصريف الماء المتكاثف MPT 1" مزودة. يمكن تمديد انبوب التصريف للخارج على الجانب الامامي.
- يجب تزويد انبوب التصريف بمحبس على الجانب الخارجي للوحدة ويركب ايضاً بشكل مائل من اجل التصريف الصحيح. كما هو مبين على اليمين.
- لمنع تكوين التكاثف والتسرب. زود انبوب التصريف بعازل من اجل الوقاية ضد التعرق.
- بعد الانتهاء من اعمال شبكة الانابيب. افحص لتتأكد من عدم وجود تسرب والماء يتم تصريفه بشكل صحيح.

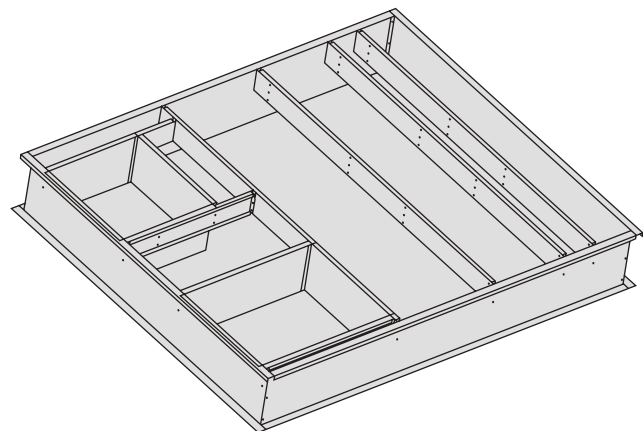
محبس التصريف للتكاثف



- يبين الشكل استعمال حاجز السقف لتعليق هذه الوحدات.
- يجب سدّ وثبيت الحاشية المطوقة مع السقف بواسطة اشرطة مقاومة لتقلبات الطقس. الوسائل المقترحة لسدّ الوحدة وحاجز السقف كما هو مبين على اليمين.
- ابعاد حاجز السقف الموصى بها مبينة في الاسفل.



550/600/700/900	350/450	250	طراز (UATYQ)
355	355	355	A
2081	2081	1506	B
840	700	840	C
625	410	315	D
462	410	315	E
190	0	0	F
248	287	314	G
131	131	0	H
646	600	607	I
495	544	322	J
676	682	540	K
51	42	0	L
300	300	300	M
141	141	141	N
2365	1807	1784	O
300	300	300	P
590	477	481	Q
1998	1998	1469	R
41.5	41.5	20	S
41.5	41.5	20	T



ملاحظة: جميع الأبعاد هي بالمليمتر مم

تركيب الوحدة

أ مكان التركيب

- ركب الوحدة بطريقة بحيث لا يمكن سحب الهواء الموزع من قبل الوحدة للداخل مرة ثانية (كما هو الحال في دائرة تقصير تصريف الهواء).
اترك مسافة كافية للصيانة حول الوحدة.
- عند تركيب وحدتين أو أكثر في المكان، يجب ان تكون احدي الوحدات مركبة بحيث لا تتأثر بهواء التصريف من الوحدة الاخرى.
- تأكد من عدم وجود عائق لتدفق الهواء الداخل او الخارج من الوحدة. انزع العوائق التي تسد فتحة دخول الهواء او تصريف الهواء.
- يجب ان يكون المكان ذو تهوية جيدة. بحيث تتمكن الوحدة من سحب وتوزيع الهواء بكميه كبيرة.
- نوصي بتركيب هذه الوحدة في الأماكن التالية:-
 - في مكان يتحمل وزن الوحدة وعازل للضجيج والاهتزاز.
 - في مكان يكون فيه التصريف ملائم.
 - في مكان بحيث لا يتم غمر الوحدة بالثلج.
 - في مكان يكون منافذ خروج ودخول الهواء غير معرضة للرياح القوية.
 - في مكان يكون تصريف الهواء ومستوى صوت التشغيل لا يزعج الجيران.
 - في مكان لا يتم الوصول للوحدة من قبل عامة المواطنين.

ملاحظة

- لتركيب الوحدة مع مجموعة الموفر اتبع التوصيات المبينة في القسم (B) النقطة (iii) تحت فصل "الملحقات الإضافية" من هذا الكتيب.

تنبيه



لا تركيب الوحدة على ارتفاع أكثر من 2000 م.

ب تركيب الانابيب

- الوحدة مجهزة بفتحات تزويد وترجيع الهواء. يجب ان يكون توصيل الانبوب مع الوحدة من خلال حواف الانبوب البارزة وتثبت مباشرة مع فتحات الهواء بواسطة موصلات انابيب من اجل تجنب انتقال الضجيج الاعتيادي.
- لمنع تسرب الهواء، يجب سد جميع نقاط الاتصال بشكل محكم.
- يجب عزل الانابيب الموجودة في الاماكن غير المكيفة - هوائيا.
- يجب عزل الانابيب المكشوفة في الخارج بمادة مقاومة لتقلبات الطقس.
- يجب سد فتحات دخول الانابيب في البناية عبر السقف بواسطة اشترطة مقاومة لتقلبات الطقس لمنع دخول المطر والرمل والغبار.. الخ للمبنى.
- يجب تركيب المرشح بالقياس الصحيح على انبوب الهواء الراجع.

كتيب التركيب

يزودك هذا الكتيب بطرق التركيب لضمان التشغيل العادي والجيد والمأمون لوحدة مكيفة الهواء. قد يكون من الضروري إجراء ضبط خاص لكي يلائم متطلباتك.

قبل استعمال مكيفة الهواء، يرجى قراءة كتيب التعليمات هذا بعناية والاحتفاظ به للمرجعة في المستقبل.

هذا الجهاز معد للاستعمال من قبل مستعملين ذوي خبرة ومدربين في المتاجر، في المصانع والمزارع الصغيرة، او للاستعمال التجاري من قبل أشخاص معينين.

هذا الجهاز غير مصمم للاستعمال من قبل الأشخاص، بما في ذلك الأطفال، الذين لديهم نقص او عاقبة في قدراتهم الجسدية او الحسية او العقلية او نقص في الخبرة والمعرفة بتشغيل الجهاز، إلا اذا تم الاشراف عليهم او اعطائهم التعليمات المتعلقة باستعمال الجهاز من قبل شخص مسؤول عن سلامتهم.

يجب الاشراف على الأطفال لضمان عدم عبثهم بالجهاز.

احتياطات الأمان

تحذير



- يجب إجراء عملية التركيب والصيانة من قبل الفنيين المختصين الذين لديهم حسن الاطلاع على الشفرة والتنظيم المحلي، والخبرة مع هذا النوع من الاجهزة.
- يجب نصب شبكة اسلاك مجال القوة وفقاً الى تنظيم شبكة اسلاك الوطن.
- تأكد من ان معدل الفولطية للوحدة يتطابق مع اللوحة المحددة قبل أن تبدأ بأعمال شبكة الاسلاك وفقاً الى مخطط التمديدات الكهربائية.
- يجب تأريض الوحدة لمنع المخاطر المحتملة بسبب نقص العازل.
- يجب ان لا تلامس الاسلاك الكهربائية أنابيب المبرد او اية اجزاء متحركة من محركات المروحة.
- تأكد من تحويل الوحدة على موضع الايقاف OFF قبل اجراء عملية النصب او الصيانة للوحدة.
- افضل مكيف الهواء من مصدر تزويد الطاقة الكهربائية الرئيسي قبل اجراء عملية صيانة وحدة مكيف الهواء.
- لا تسحب سلك الطاقة الكهربائية عندما تكون الطاقة الكهربائية موصولة. يمكن ان يسبب ذلك ضربات كهربائية قوية ويمكن ان تسبب مخاطر الحريق.
- ضع الوحدة الداخلية والوحدة الخارجية، وكبل الطاقة الكهربائية واسلاك الارسال، على مسافة 1 متر على الأقل بعيداً عن اجهزة التلفزيونات والراديو، وذلك لمنع تشوه الصورة والتشويش الازاعي. (اعتماداً على نوع ومصدر الامواج الكهربائية، يمكن ان يتم سماع تشويش اذاعي وحتى اذا كانت المسافة اكثر من 1 متراً).
- الجهاز غير معد للعمل في الأجواء القابلة للانفجار.

تنبيه



- يرجى ملاحظة النقاط المهمة التالية عند النصب.
- لا تنصب الوحدة في مكان معرض لغاز سريع الالتهاب.
- اذا تسرب الغاز وتجمّع حول الوحدة، فانه يمكن ان يسبب ذلك اشعال النار.
- تأكد من توصيل أنابيب التصريف بصورة صحيحة.
- اذا لم يتم توصيل أنابيب التصريف بصورة صحيحة، سوف يتسرب الماء.
- لا تفرط في شحن الوحدة.
- تم شحن الوحدة مسبقاً في المصنع.
- يؤدي الشحن الزائد الى تجاوز التيار او تلف الضاغطة.
- تأكد من غلق لوحة الوحدة بعد اجراء الصيانة او النصب.
- يؤدي عدم غلق اللوحات بأحكام بالوحدة الى التشغيل المصحوب بالضوضاء.
- حافات حادة و اسطح ملتفة في مواقع كامنة والتي تسبب مخاطر الجروح، تجنب من الاحتكاك بهذه الأماكن.
- تجنب من الاحتكاك بهذه الأماكن.
- قبل فصل مصدر تزويد الطاقة الكهربائية، اضبط مفتاح التشغيل/ الايقاف ON/OFF الموجود على وحدة التحكم عن بعد على وضع الايقاف "OFF" وذلك لمنع حصول ازعاج وضرر من المكيف في حالة عدم عمل ذلك. سوف تشتغل مراوح المكيف اوتوماتيكياً عند استعادة الطاقة الكهربائية ويمكن ان يتعرض الأشخاص الفنيين اوالمستعمل للخطر.
- لا تشغل اي جهاز تدفئة بقرع مكيف الهواء.
- لا تستخدم أسلاك مضمومة أو ملتوية لتزويد الطاقة الكهربائية للجهاز.

هام

معلومات مهمة بخصوص مادة التبريد المستعملة

هذا المنتج يحتوي على الغازات المسببة للاحتباس الحراري المفلورة. لا تطلق هذه الغازات في الجو.

نوع مادة التبريد:

R410A

GWP⁽¹⁾ قيمة:

2087.5

= GWP⁽¹⁾

امكانية الاحترار العالمي

نوعية مادة التبريد مبينة على صفيحة اسم الوحدة.

يمكن ان يكون هناك حاجة للفحوصات الدورية من اجل تسرب مادة التبريد وذلك

اعتماداً على القوانين الأوروبية او المحلية. يرجى الاتصال

بعميلك من اجل معلومات اكثر.

ملاحظة

في أوروبا، تُستخدم انبعاثات الغازات الدفيئة الناتجة عن الشحن الكلي لغاز التبريد في النظام (وهي مكافئة لأطنان من غاز ثاني أكسيد الكربون CO₂ حسب المعلن) لتحديد الفواصل الزمنية لعملية الصيانة. اتبع اللوائح المعمول بها.

الصيغة المُستخدمة

لحساب انبعاثات الغازات

الدفيئة:

لغاز قيمة × التبريد الإجمالي

لغاز التبريد [بوحدة كجم] /

1000

متطلب التخلص من الجهاز:

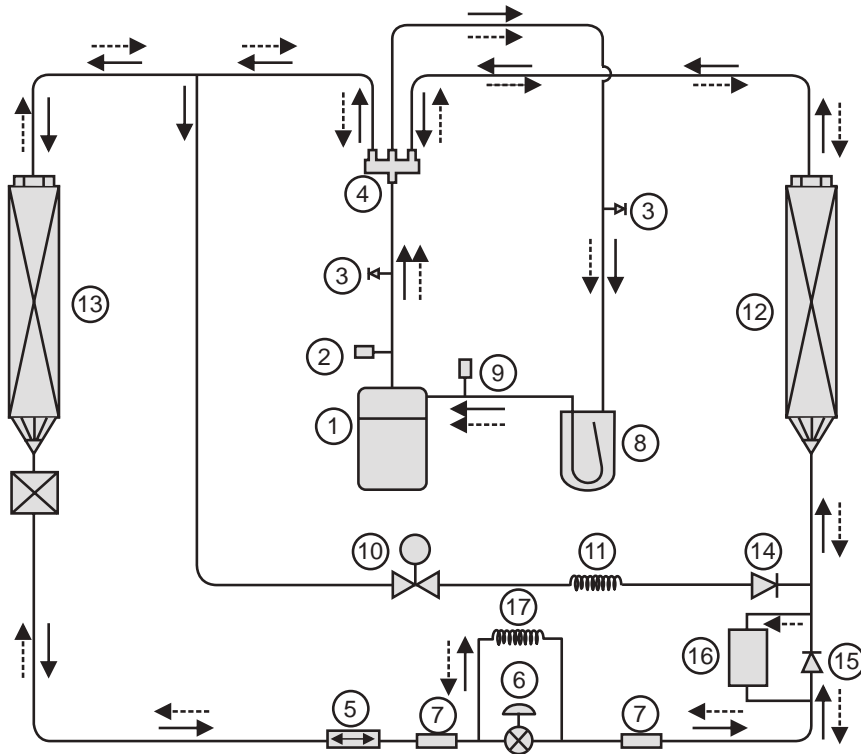
تفكيك الوحدة، معالجة المبرد، الزيت والأجزاء الأخرى يجب عملها بموجب التشريع المطبق.

مخطط دائرة التبريد

طرز : UATYQ 250, 350, 450, 550, 600, 700 & 900

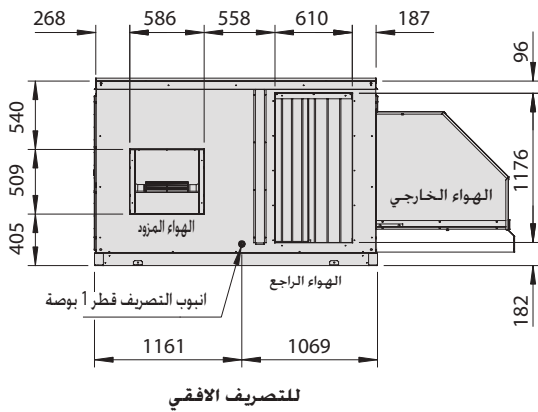
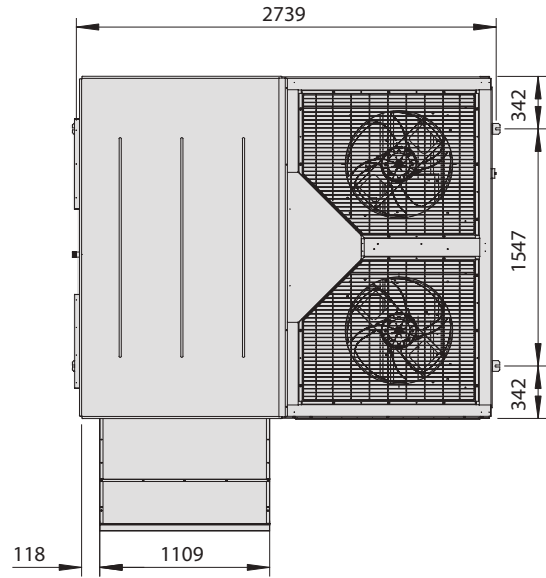
→	تشغيل التبريد
←	تشغيل التدفئة

الرقم	شرح البند
①	الضاغطة
②	مفتاح الضغط العالي
③	صمام الوصول
④	صمام 4 - اتجاه
⑤	مجفف المرشح
⑥	صمام توسيع الكتروني
⑦	المصفاة
⑧	المراكم
⑨	مفتاح الضغط المنخفض
⑩	الملف اللولبي
⑪	انبوب شعري جانبي
⑫	المبادل الحراري الداخلي
⑬	المبادل الحراري الخارجي
⑭	صمام الفحص 1
⑮	صمام الفحص 2
⑯	معوّض
⑰	الانبوب الشعري

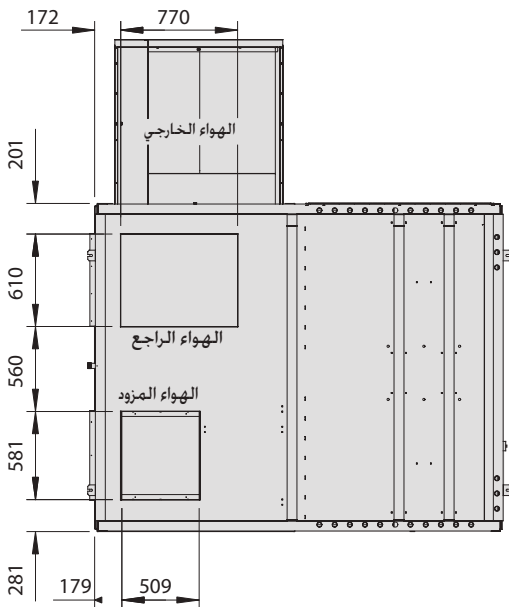
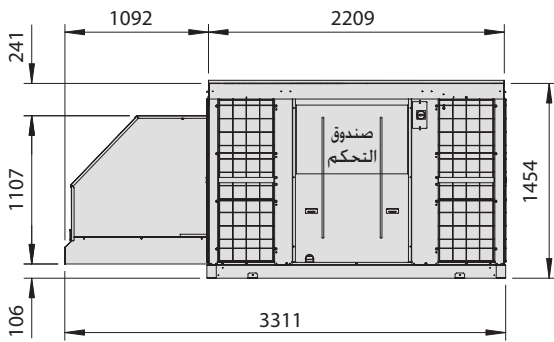
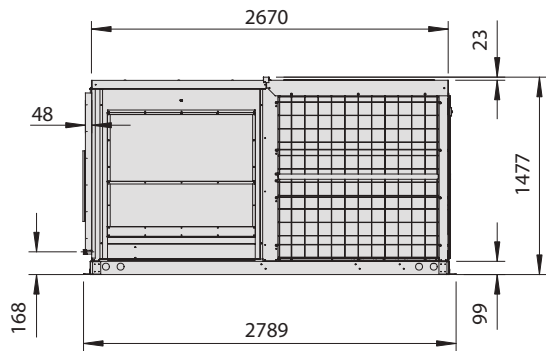


- ملاحظة: (أ) يتكون الموديل UATYQ350, 450, 550, 600, 700 & 900 من 2 دائرة في النظام.
 (ب) البنود 15 و 16 قابلة للتطبيق للموديل UATYQ350 فقط.
 (ج) البنود 17 قابلة للتطبيق للموديل UATYQ700 & UATYQ900 فقط.

جميع الأبعاد هي بالمليمتر مم

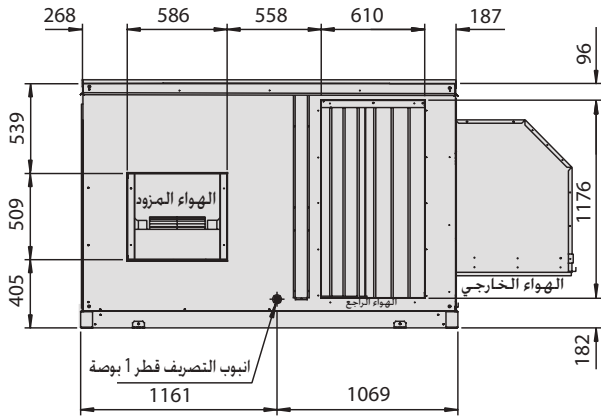
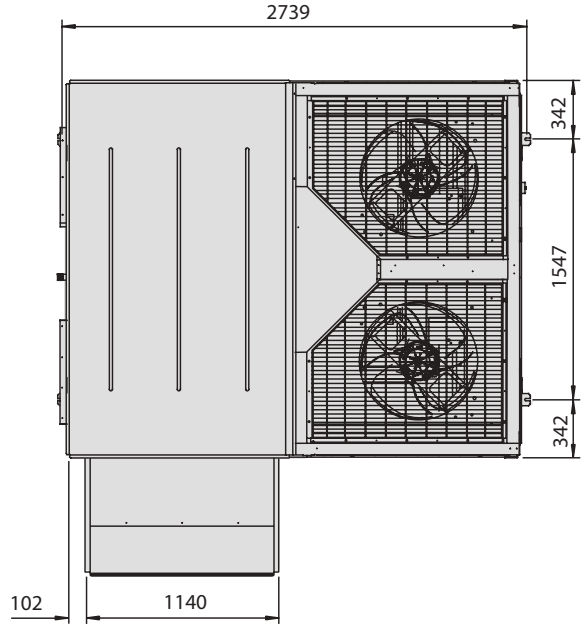


للتصريف الافقي

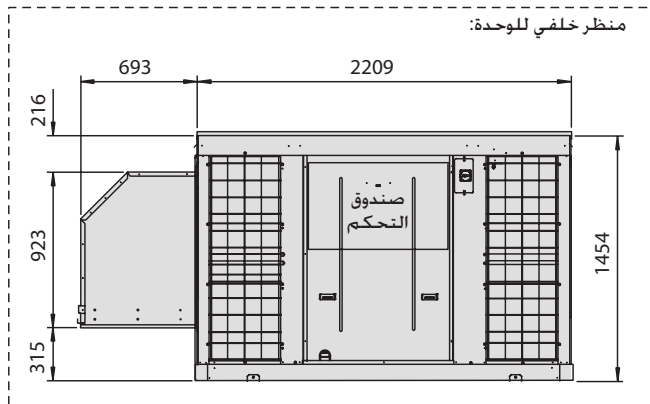
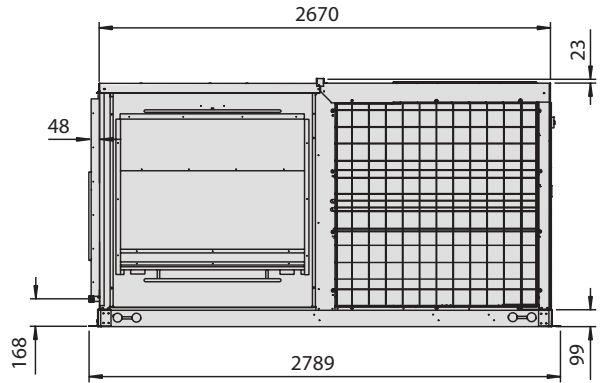


للتصريف العمودي

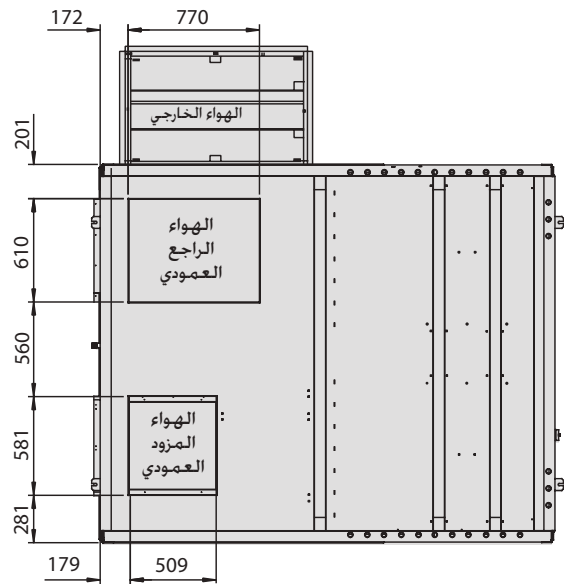
جميع الأبعاد هي بالمليمتر مم



للتصريف الافقي

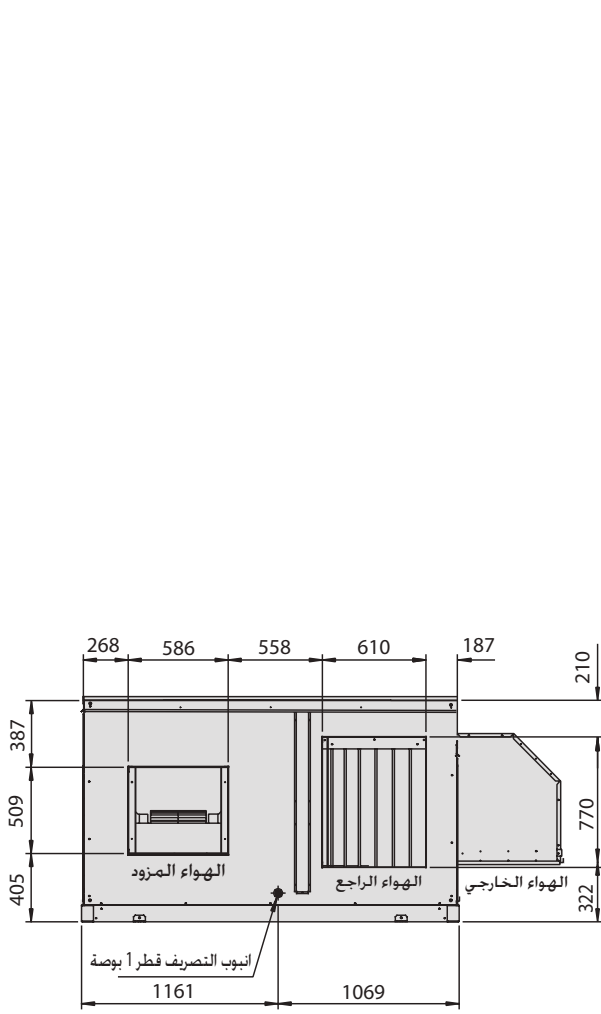


منظر خلفي للوحدة:

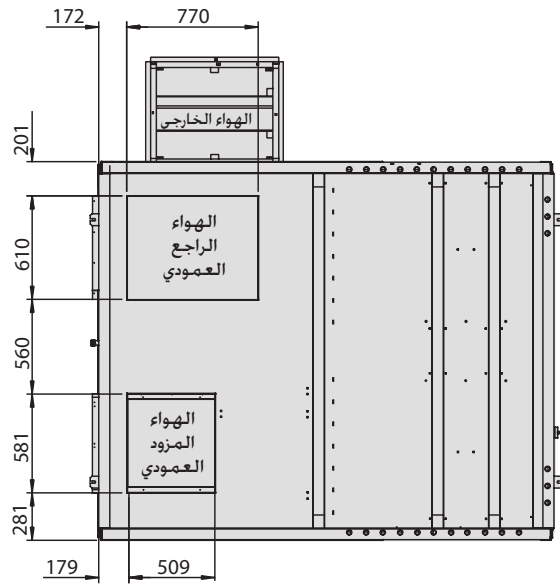
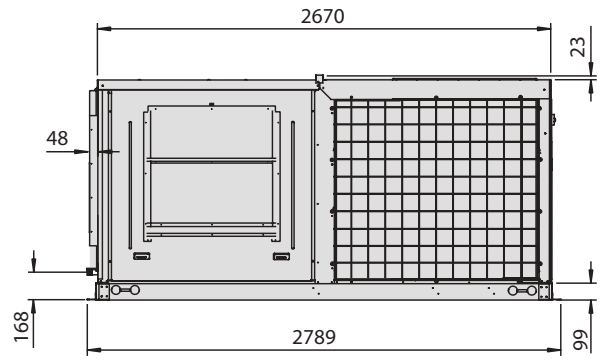
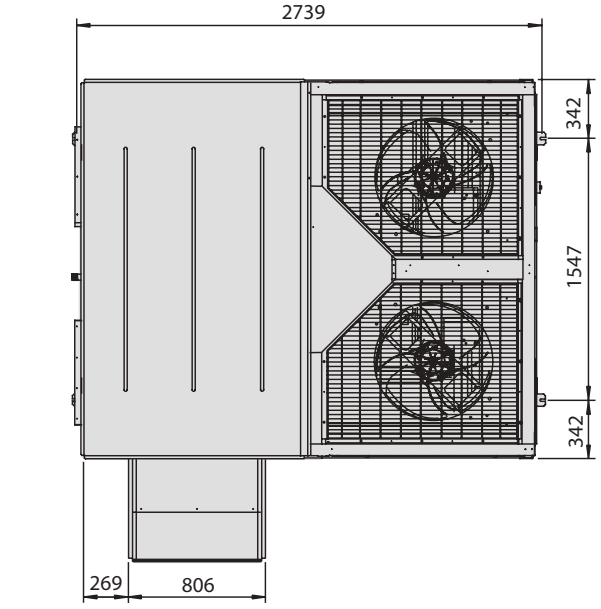
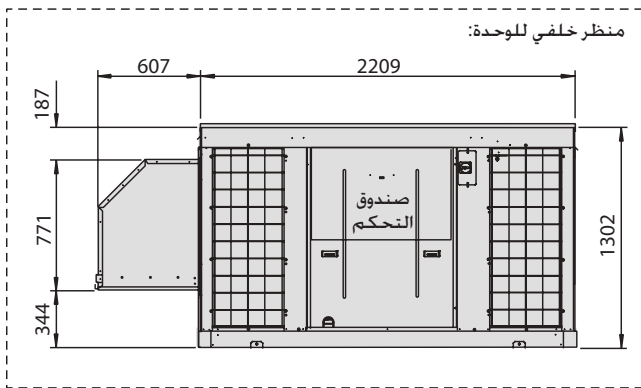


للتصريف العمودي

جميع الأبعاد هي بالمليمتر مم

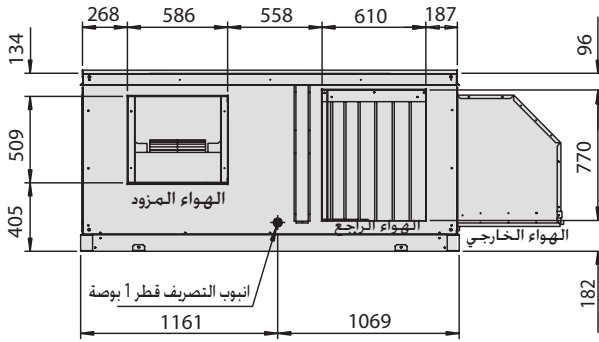
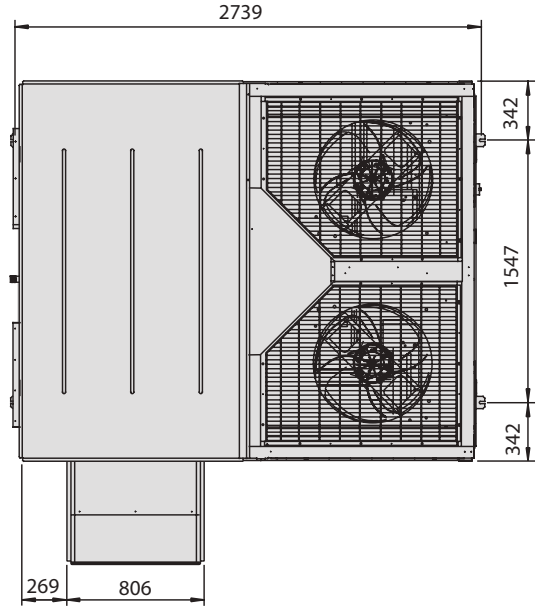


للتصريف الافقي

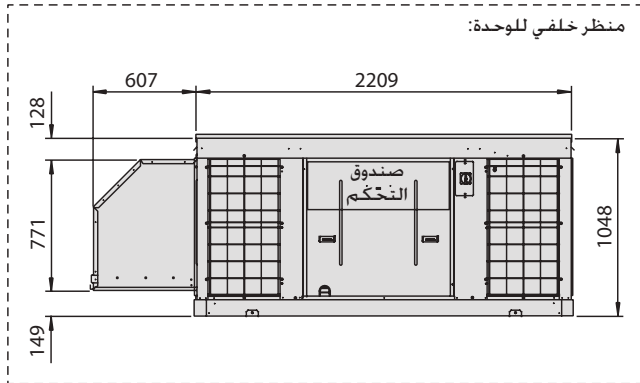
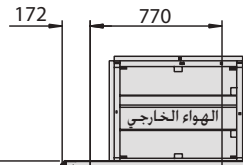
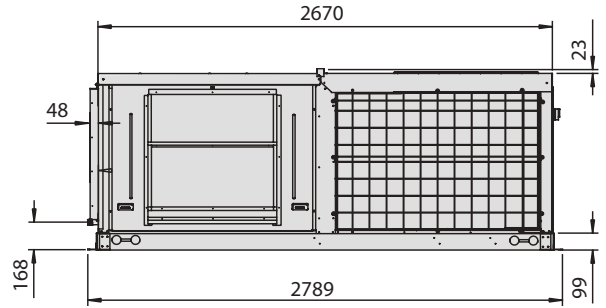


للتصريف العمودي

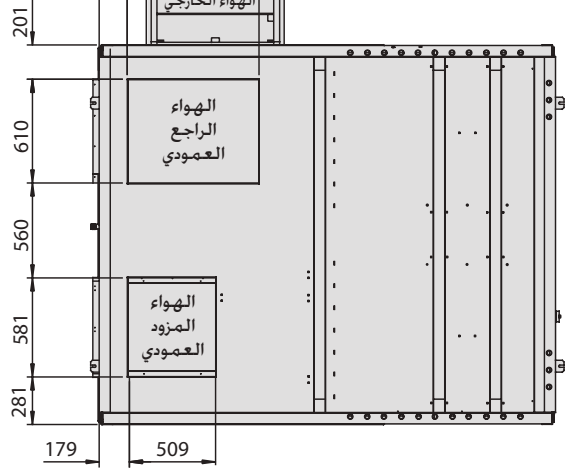
جميع الأبعاد هي بالمليمتر



للتصريف الافقي

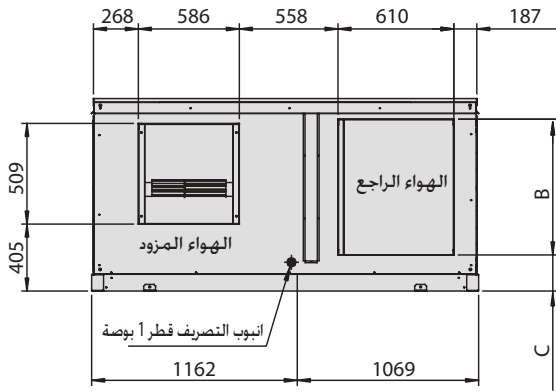
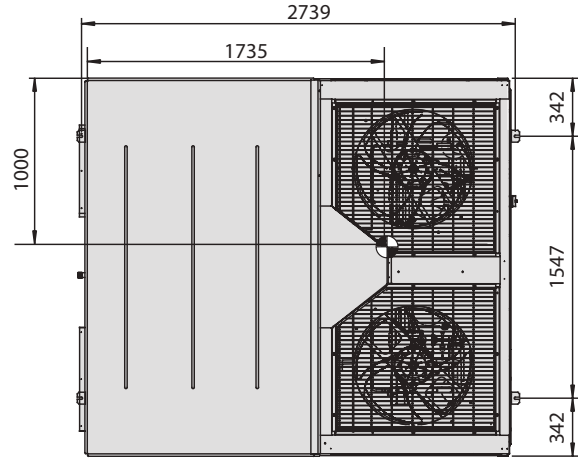


منظر خلفي للوحدة:

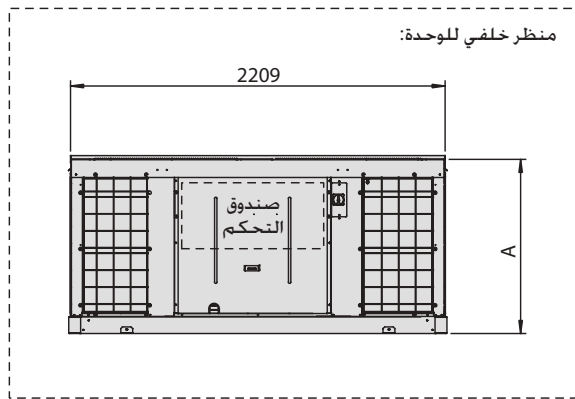
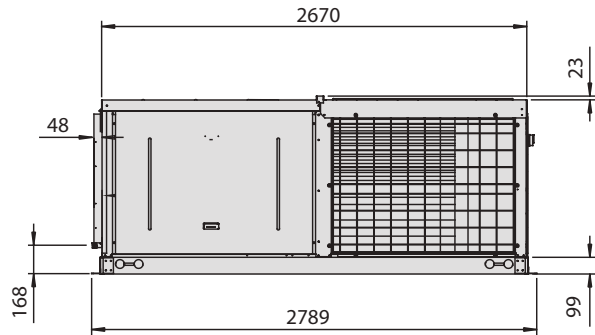


للتصريف العمودي

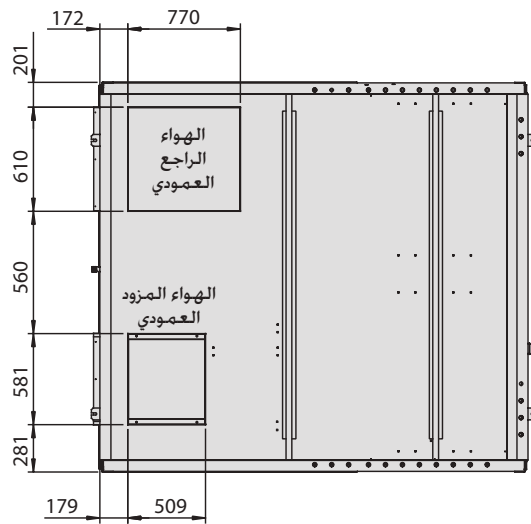
جميع الأبعاد هي بالمليمتر مم



للتصريف الافقي



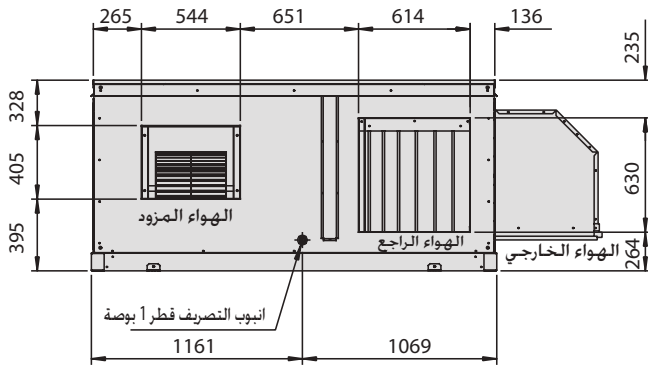
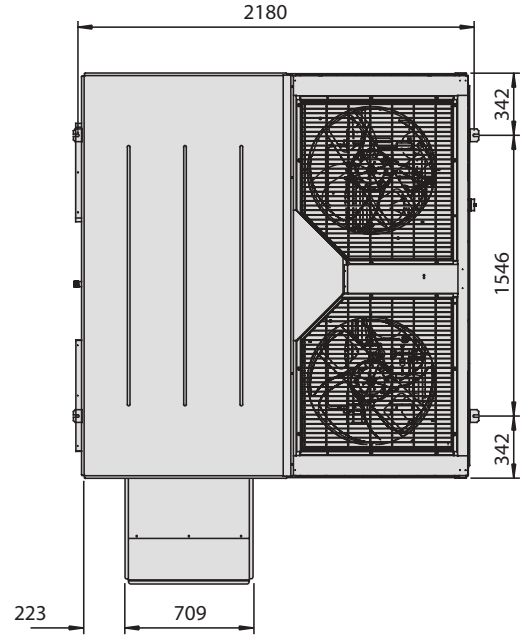
منظر خلفي للوحدة:



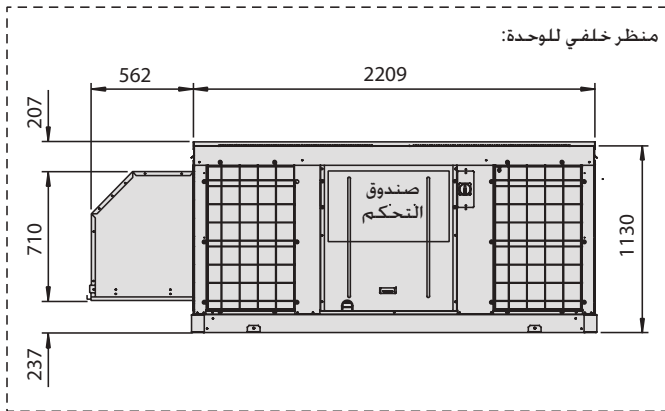
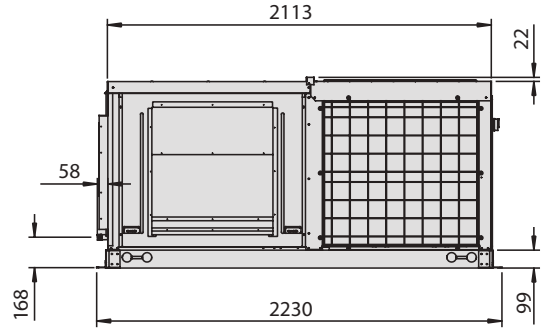
للتصريف العمودي

900	700	600	550	طراز (UATYQ)
1454	1454	1302	1048	A
1176	1176	770	770	B
182	182	322	182	C

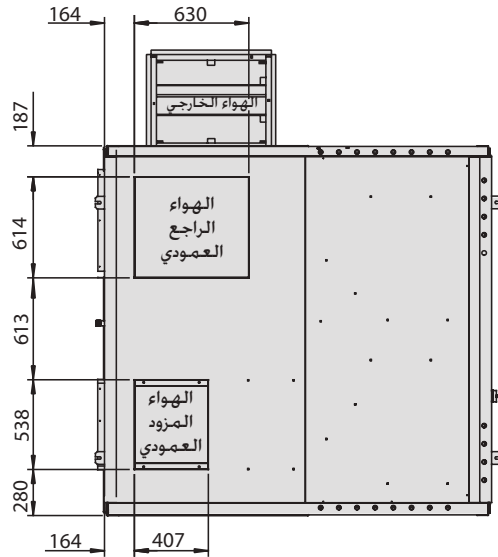
جميع الأبعاد هي بالمليمتر مم



للتصريف الافقي

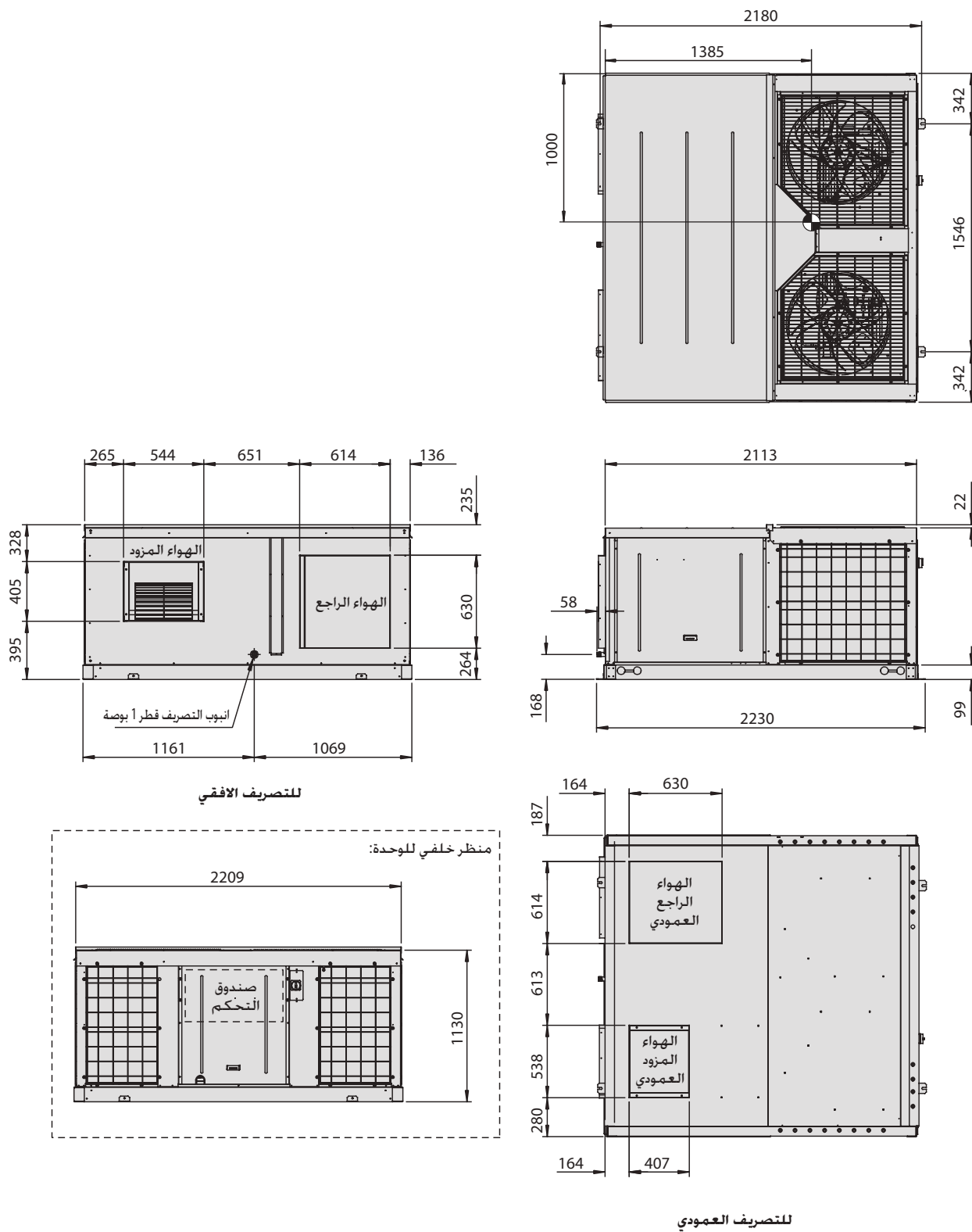


منظر خلفي للوحدة:

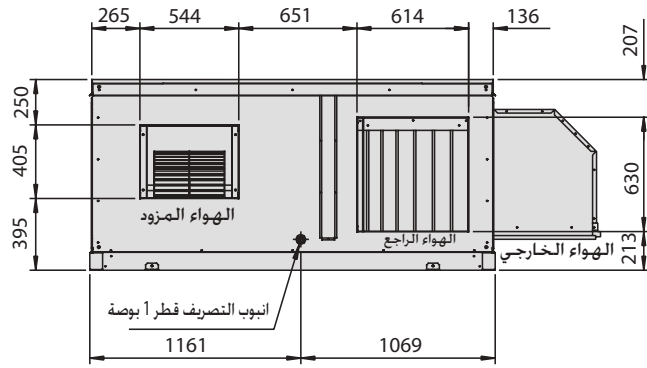
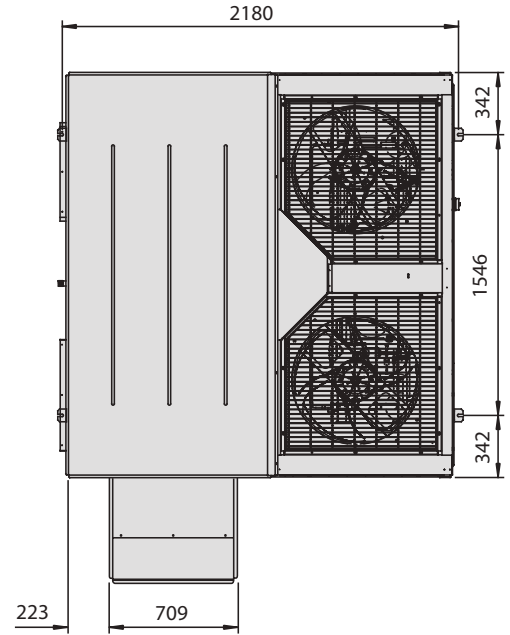


للتصريف العمودي

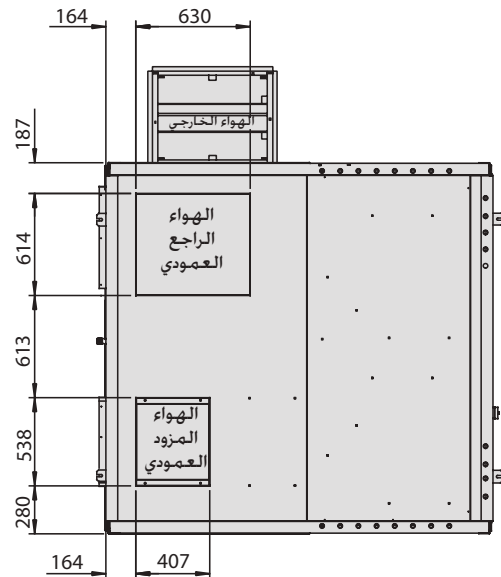
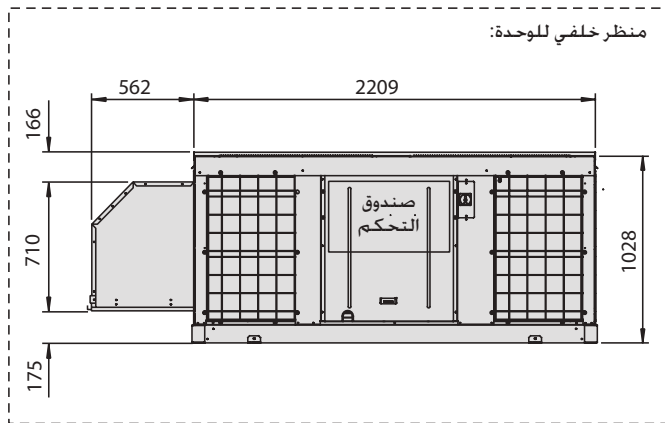
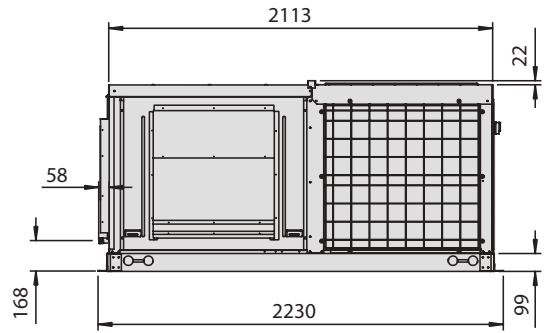
جميع الأبعاد هي بالمليمتر مم



جميع الأبعاد هي بالمليمتر مم

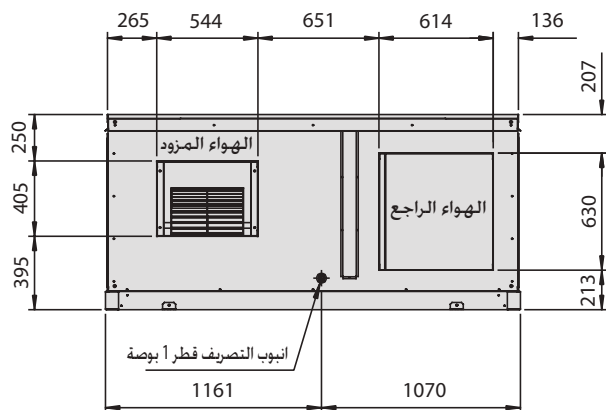
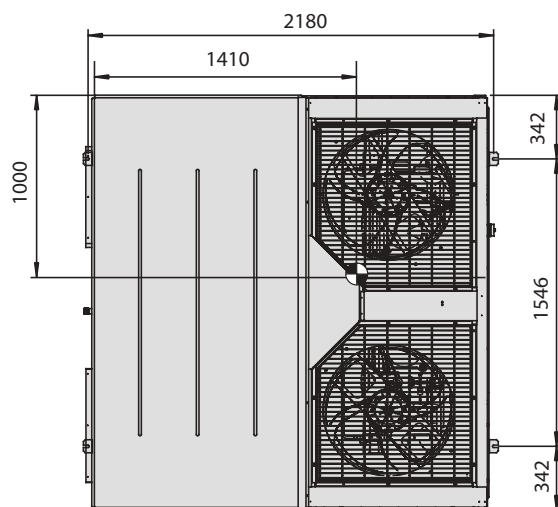


للتصريف الافقي

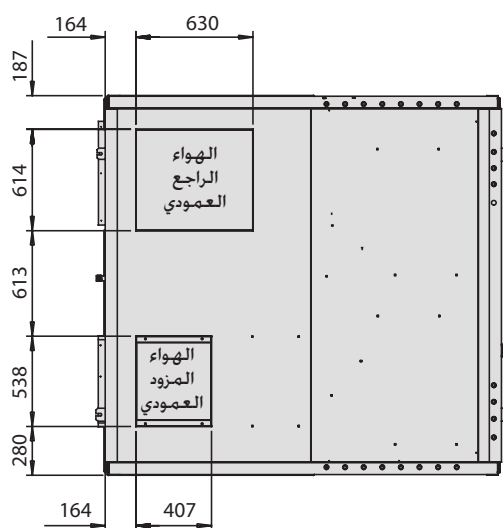
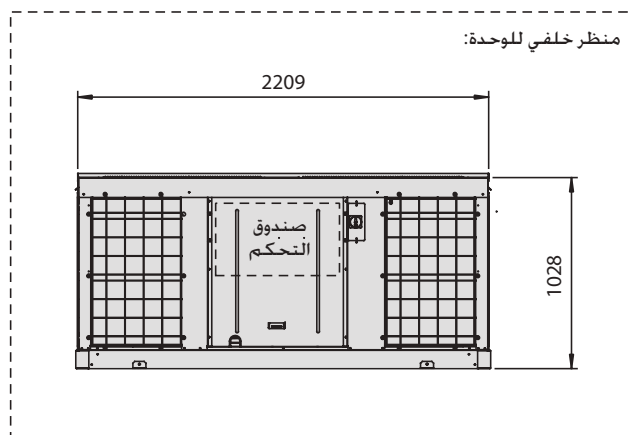
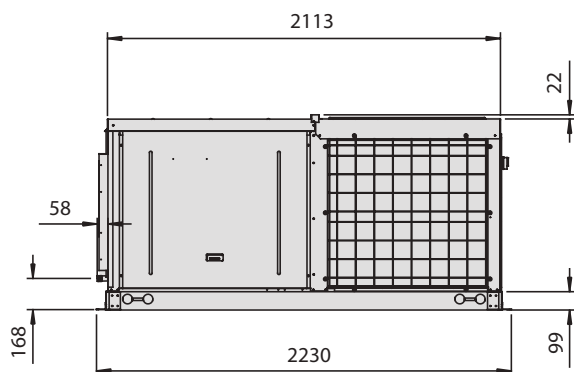


للتصريف العمودي

جميع الأبعاد هي بالمليمتر مم

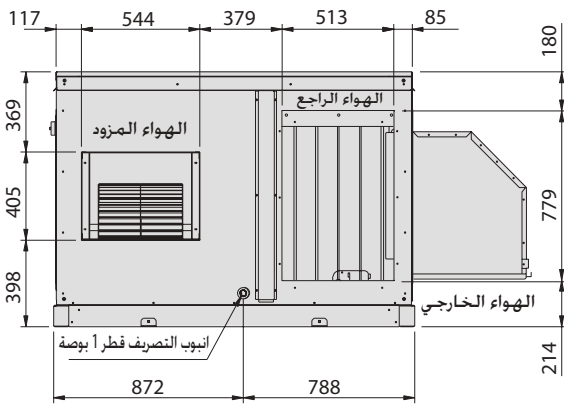
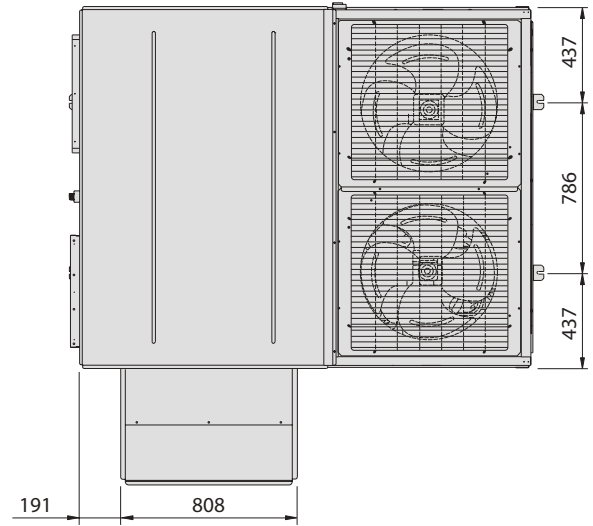


للتصريف الافقي

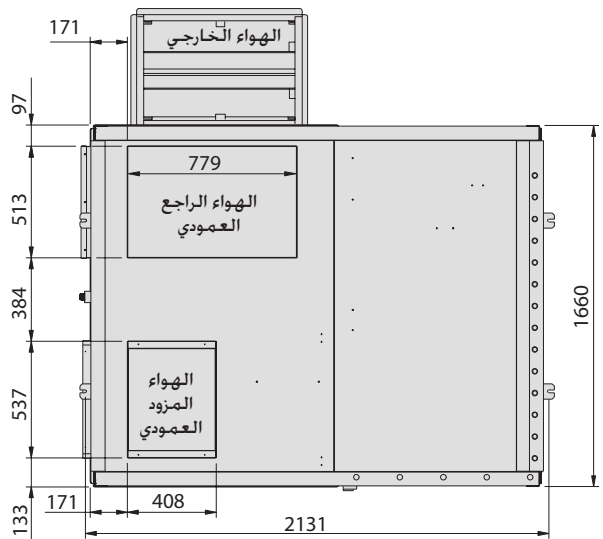
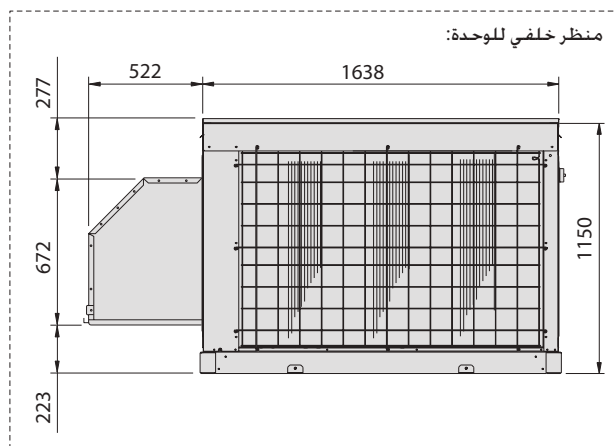
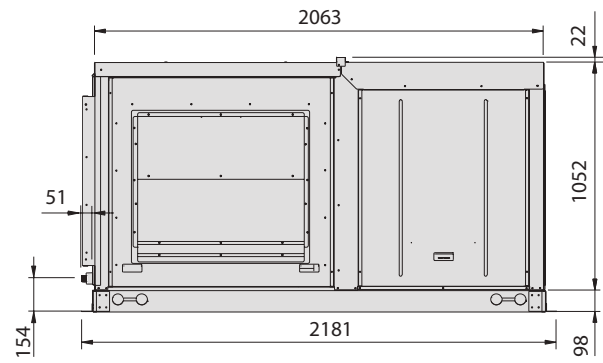


للتصريف العمودي

جميع الأبعاد هي بالمليمتر مم

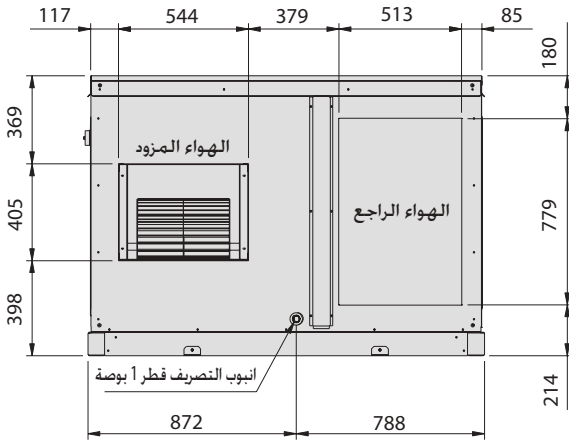
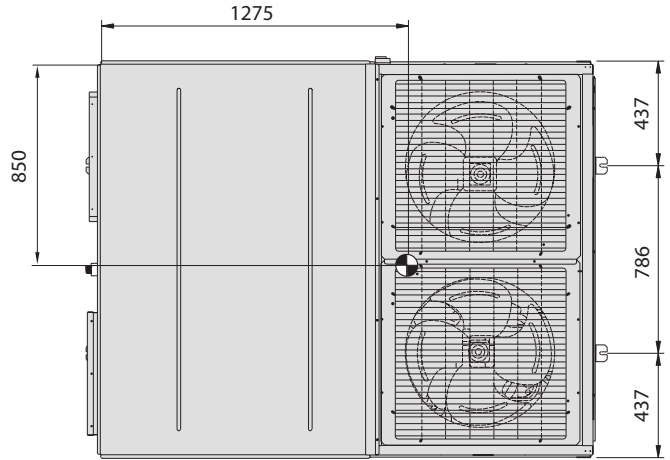


للتصريف الافقي

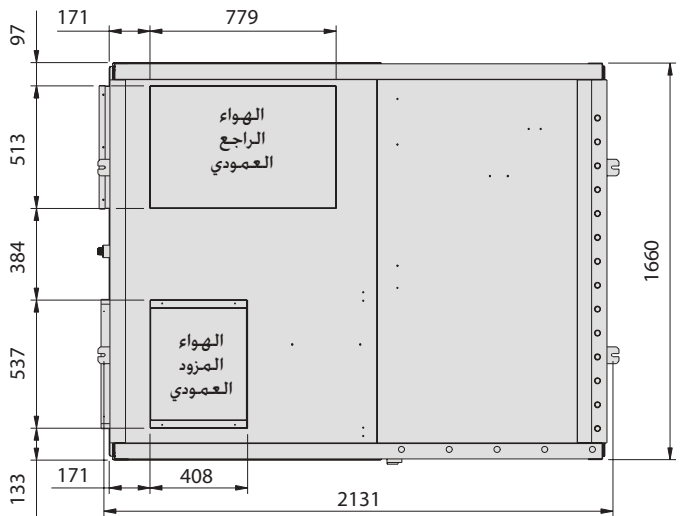
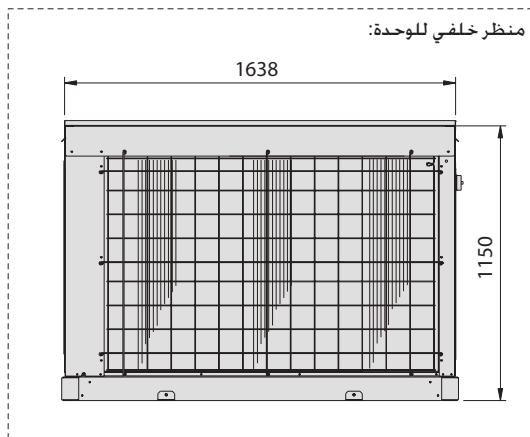
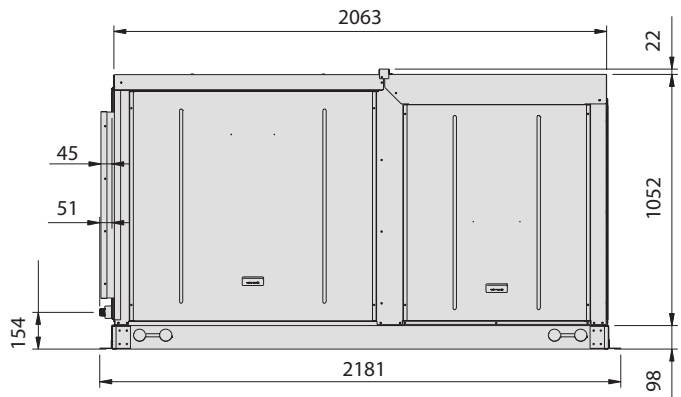


للتصريف العمودي

جميع الأبعاد هي بالمليمتر مم



للتصريف الافقي



للتصريف العمودي

DAIKIN



كتيب التركيب

عربي

كتيب التركيب
وحدات مجموعة فوق السطح



طراز :

UATYQ250MCY17
UATYQ350MCY17
UATYQ450MCY17
UATYQ550MCY17
UATYQ600MCY17
UATYQ700MCY17
UATYQ900MCY17

EAC

(تنطبق على نماذج معتمدة فقط)

IM-5RTBR-0710(9)-DAIKIN (DENV)

رقم الجزء: R080190353771