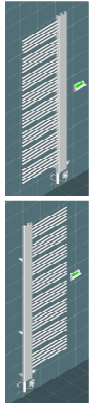
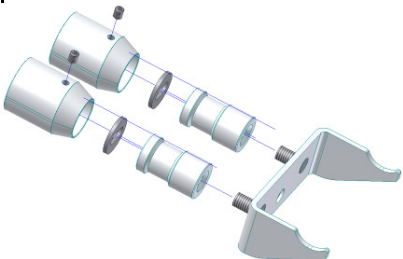
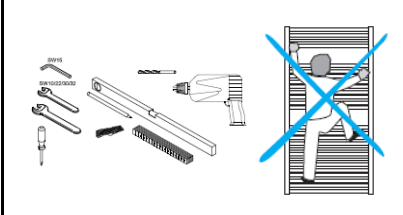


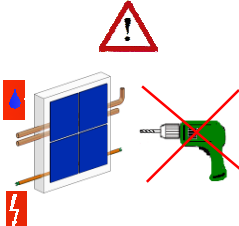
Yucca plus wall mounting console

- DE Montageanleitung
- GB Assembly Instructions
- FR Instructions de montage
- IT Istruzione di montaggio
- ES Instrucciones de montaje
- RU Монтажная инструкция (электрическая модель)




Original mounting instruction 9/2009 Production Lehr
Technische Änderungen vorbehalten
Technical modifications are subject to change




⚠



⚠

Do It Yourself
service

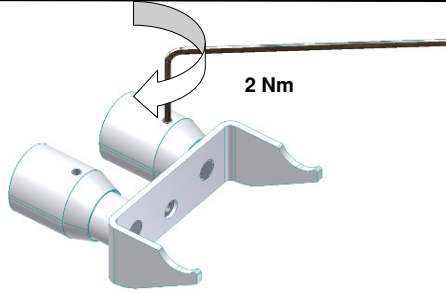
✓ OK



⚠

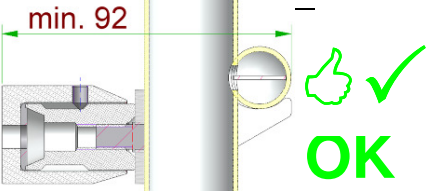
Oberfläche schützen!
Protect surface!
Protéger la surface!
Proteggí superficie!
¡Proteja la superficie!
Берегите поверхность!

1



2 Nm

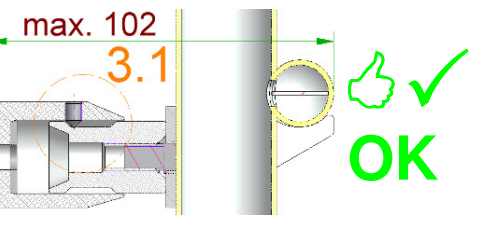
2



min. 92

OK

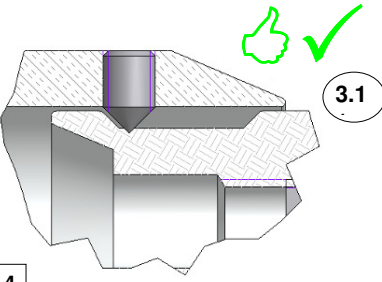
3



max. 102

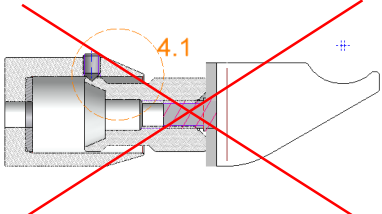
OK

4

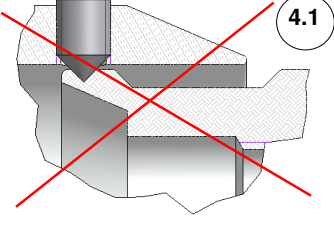


✓

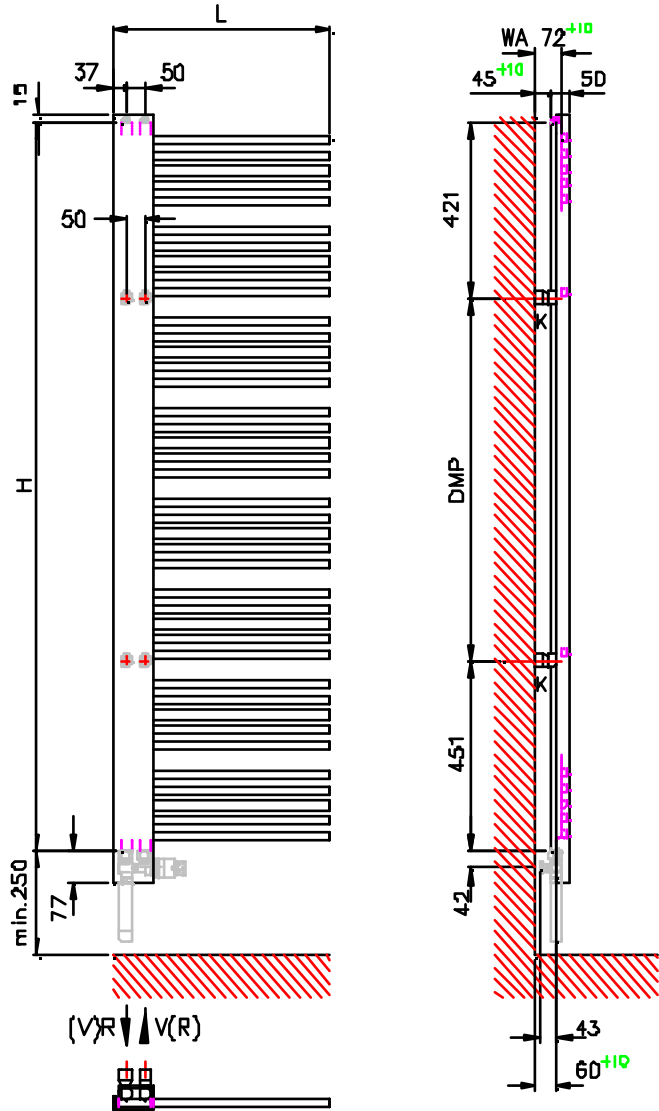
3.1



4.1



4.1



H	DMP	L
1520	648	582
1736	864	