

Libretto istruzioni

Instruction booklet

Notice d'emploi et d'entretien

Betriebsanleitung

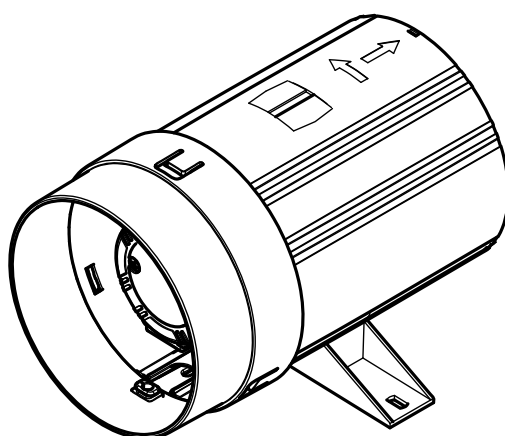
Manual de instrucciones

Instructieboekje

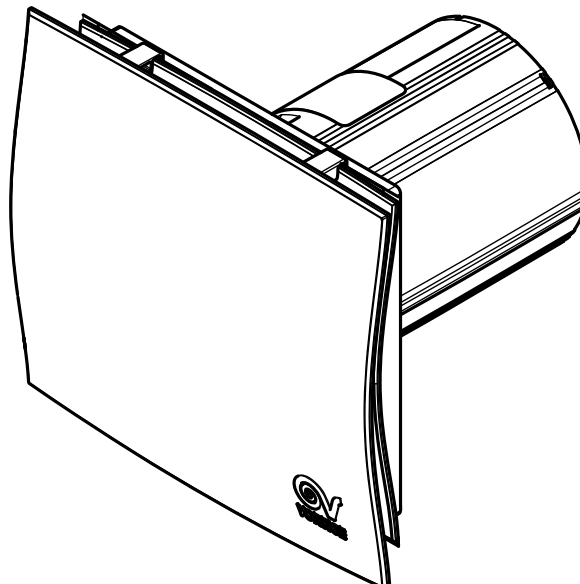
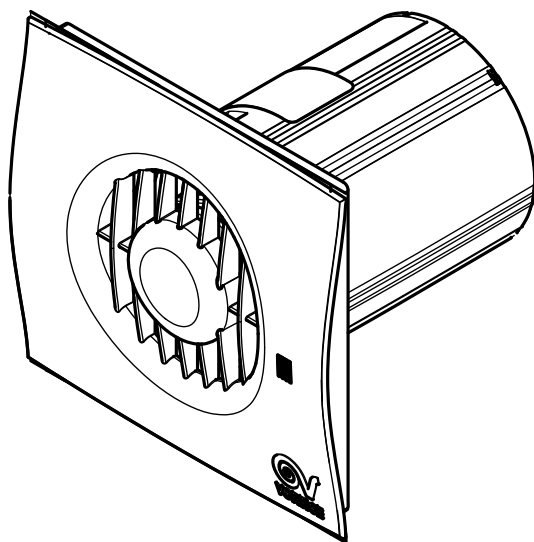
Bruksanvisning



VORT NOTUS - VORT NOTUS T-HCS



CE



COD. 5371.084.833

03/05/2011

VORTICE LIMITED
Beeches House - Eastern Avenue
Burton on Trent
DE13 0BB
Tel. (+44) 1283-492949
Fax (+44) 1283-544121
UNITED KINGDOM

VORTICE FRANCE
72 Rue Baratte-Cholet
94106 Saint Maur Cedex
Tel. (+33) 1-55.12.50.00
Fax (+33) 1-55.12.50.01
FRANCE

VORTICE ELETTROSOCIALI S.p.A.
Strada Cerca, 2 - frazione di Zoate
20067 TRIBIANO (MI)
Tel. (+39) 02-90.69.91
Fax (+39) 02-90.64.625
ITALIA

Description

Appliances belonging to the **VORT NOTUS** range are as follows:

VORT NOTUS **VORT NOTUS T-HCS**

These appliances are axial extractor fans that have been specially designed to provide continuous ventilation in domestic applications whilst at the same time reducing power consumption and noise emissions.

The appliances are compatible with ducted installation (Vort Notus only) as well as with wall and ceiling mounting and are fitted with axial blades powered by a brushless motor. There are three differing fan speeds available. The default minimum speed can be one of two speeds that can be selected during installation whereas the third speed can be selected while the appliance is running (see "Installation").

Safety



Warning:
this symbol indicates that care must be taken to avoid injury to the user

- Do not use this appliance for functions other than those described in this booklet
- After removing the appliance from its packaging, ensure that it is complete and undamaged. If in doubt contact a professionally qualified electrician or Vortice. Do not leave packaging within the reach of children or infirm persons
- Certain fundamental rules must be observed when using any electrical appliance, including:
 - never touch electrical appliances with wet or damp hands;
 - never touch appliances while barefoot;
 - never allow children or infirm persons to operate appliances unattended.
- This appliance is not suitable for use by children or by individuals with reduced physical, sensorial or mental capacities, or by inexperienced or untrained individuals, unless they are supervised or instructed in its use by a person responsible for their safety. Children must always be supervised to ensure that they do not play with the appliance.
- Store the appliance out of the reach of children and less able persons after deciding to disconnect it from the power supply and use it no more.
- Do not use the appliance where flammable vapours are present (spirit, insecticides, petrol, etc.).
- Never touch the electronics as some of the components may still be electrically charged.
- The appliance can also be ceiling mounted. For ceiling mounting, the IPX4 rated protection against humidity can be guaranteed by keeping the frontal panel in position and using the special seal. Be careful not to ceiling mount the appliance without first fitting the special seal.



Caution:
this symbol indicates that care must be taken to avoid damaging the appliance

- Do not make modifications of any kind to this appliance.
- Do not expose this appliance to the weather (rain, sun, etc.).
- Regularly inspect the appliance for visible defects. If the appliance does not function correctly, do not use it and contact Vortice immediately.
- If the appliance does not function correctly or develops a fault, contact Vortice immediately and ensure that only genuine original Vortice spares are used for any repairs.
- Should the appliance be dropped or suffer a heavy blow, have it checked immediately by Vortice
- The appliance must be installed by a professionally qualified electrician
- The mains power supply to which the units are connected must comply with current laws.
- The appliance is double insulated and therefore does not need to be earthed
- The electrical power supply/socket to which the appliance is to be connected must be able to provide the maximum electrical power required by the appliance
- Use a suitably sized multi-polar switch with minimum contact gaps of 3 mm to install the appliance.
- Switch off the appliance at the installation's main switch: a) if the appliance does not function correctly; b) before cleaning the outside of the appliance, c) if the appliance is not to be used for any length of time.
- The appliance cannot be used to control activation of water heaters, room heaters, etc. and it must not exhaust into the hot air flues.
- The air to be extracted from the room must be clean (i.e. free of grease, soot, chemical and corrosive agents, and explosive or flammable mixtures).
- Do not cover or block appliance intake or outlet vents grilles as this may prevent optimum air flow.
- VORT NOTUS T-HCS model: do not cover or block the HCS sensor grille.
- Specifications for the power supply must correspond to the electrical data on data plate A (Fig.1)
- The power cable must never be replaced/repaired by the user, but only by a qualified electrician

Installation

A jumper behind the motor cover can be accessed during installation and allows one of two minimum speed settings to be selected: 5 l/s (18 m³/hr) or 10 l/s (36 m³/hr). (Fig. 2,3)

N.B.

Other settings that differ from the ones mentioned in this booklet must not be used as they might prevent the appliance from operating properly.

Timer setting (Vort Notus T-HCS, fig.4)

The relative humidity sensor threshold is factory set at 60%. This setting can however be modified by the installer to 4 levels: 60%, 70%, 80% and 90% (fig. 4).

Duct mounting: (fig. 5-9)



This symbol means that the operation in question must be carried out by a qualified technician

Wall/ceiling mounting (fig.10-29)

The flange, safety grille and possibly the front panel allow units to be wall (with ducted or unducted outflow) or ceiling mounted.

Typical Applications

Fig. 30-32

ATTENTION

If the appliance is fitted in such a way that part of it is against a wall and part against a protruding tiled surface, spacers need to be fitted to compensate for any difference in level and thus ensure that the unit operates correctly.

Operating Principles

Model VORT NOTUS: this model offers users a choice of two extraction speeds. The first speed is designed to ensure a steady, continuous exchange of air in the environment where it is positioned while the second speed can be manually selected by the user to provide additional extraction capacity as required.

Model VORT NOTUS T-HCS: both speed settings are automatically maintained by the appliance and speed varies with load conditions. Any increase in motor speed, within a wide range of back-pressure parameters, is accompanied by an increase in the noise the fan makes. This is absolutely normal and shows that the appliance is working properly. The appliance has an electronic circuit board with a humidity sensor and timer that allow a previously set minimum speed setting to be switched automatically to maximum speed depending upon the type of electrical connection :

- the percentage of relative humidity present in the atmosphere exceeds the pre-set value.
- If the relative humidity is lower than the sensor pre - set value, the fan may be switched to high speed manually by operating a separately wired switch (which could be a room light switch). When the switch is switched off again the appliance will continue to operate at maximum speed for the pre - set time (settings from 3 to 20 minutes can be selected during installation) and will then go back to operating at minimum speed.

Connecting the appliance to a switch other than one that controls the indicator light allows direct control of maximum/minimum speeds as on the Vort Notus model.

Electrical connections

Fig. 33

Extract Ventilation Rates

For U.K. Market only:

- The product is designed to Comply with U.K. Building Regulations Approved Document F1: Means of Ventilation System 3 – Continuous mechanical extract. The installation rates are:

Room	Continuous extract	
	Minimum high rate (l/s)	Minimum low rate
Kitchen	13	Total extract rate must be at least the whole building ventilation rate in table 1.1 b
Utility room	8	
Bathroom	8	
Sanity accommodation	6 **	

**UK: For sanitary accommodation ONLY, as an alternative, the purge ventilation given in ADF Appendix B can be used where security is not an issue. In this case the "minimum high extract rate" for the sanitary accommodation should not be included in the calculation.

Whole Building Ventilation Rates

	Number of bedrooms in dwelling				
	1	2	3	4	5
Whole building ventilation rate A-B (l/s)	13	17	21	25	29

A. In addition, the minimum ventilation rate should be not less than 0.3 l/s per m² internal floor area (this includes each floor, e.g. for a two-storey building, add the ground and first floor area).

B. This is based on two occupants in the main bedroom and a single occupant in all other bedrooms. This should be used as the default value. If a greater level of occupancy is expected, then add 4 l/s per occupant.

- The product should be used in conjunction with Vortice Flexible Aluminium Ducting or Vortice Rigid Modular Circular Plastic Ducting.

Maintenance / Cleaning

Fig. 34-36

Important information concerning the environmentally compatible disposal

IN CERTAIN EUROPEAN UNION COUNTRIES THIS PRODUCT DOES NOT FALL WITHIN THE REQUIREMENTS OF THE NATIONAL LAWS IMPLEMENTING DIRECTIVE WEEE, AND IN THESE COUNTRIES THE PRODUCT IS NOT SUBJECT TO SEPARATE DISPOSAL OPERATIONS AT THE END OF ITS WORKING LIFE.

This product conforms to EU Directive 2002/96/EC.

This appliance bears the symbol of the barred waste bin. This indicates that, at the end of its useful life, it must not be disposed of as domestic waste, but must be taken to a collection centre for waste electrical and electronic equipment, or returned to a retailer on purchase of a replacement.



It is the user's responsibility to dispose of this appliance through the appropriate channels at the end of its useful life. Failure to do so may incur the penalties established by laws governing waste disposal.

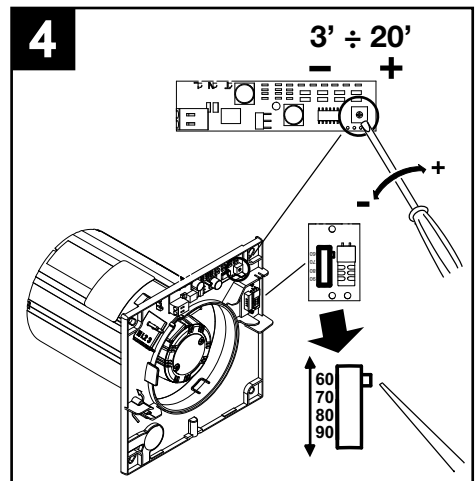
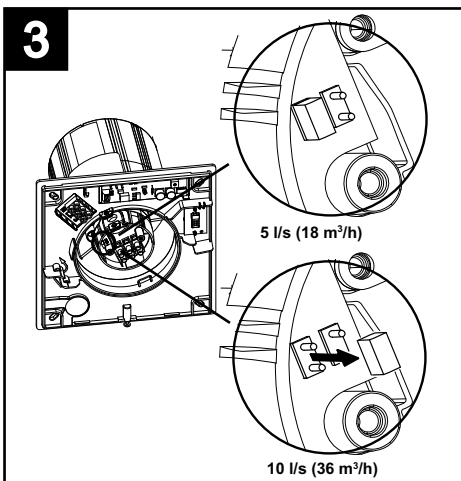
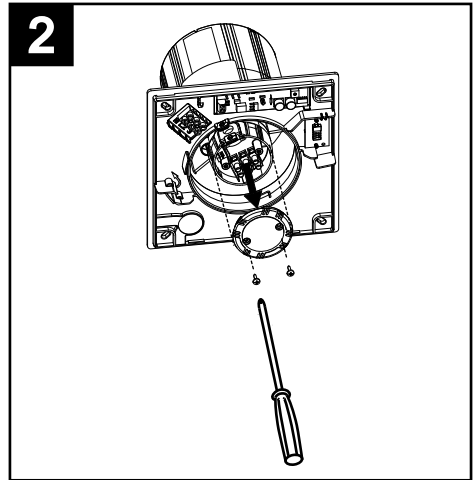
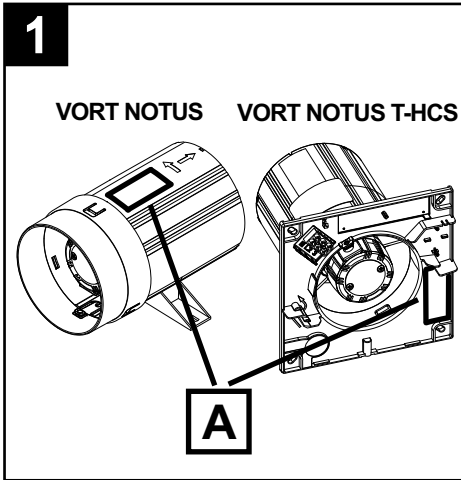
Proper differential collection, and the subsequent recycling, processing and environmentally compatible disposal of waste equipment avoids unnecessary damage to the environment and possible related health risks, and also promotes recycling of the materials used in the appliance.

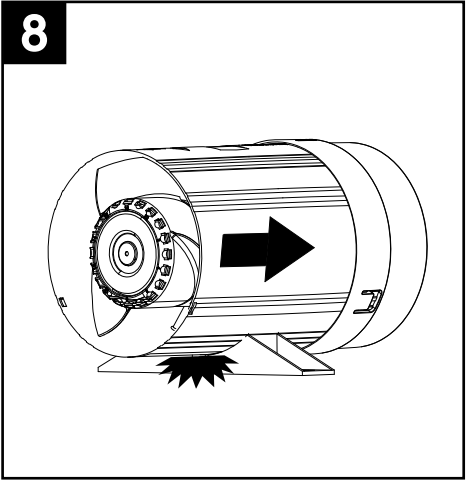
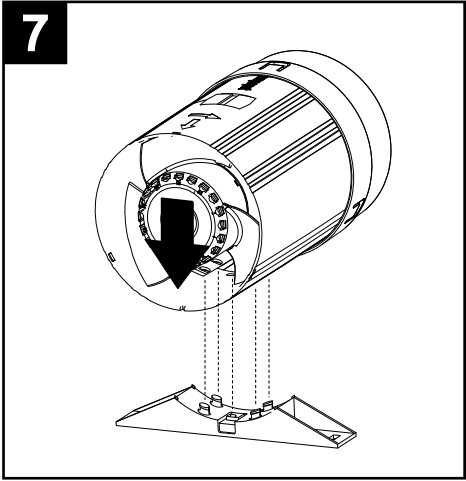
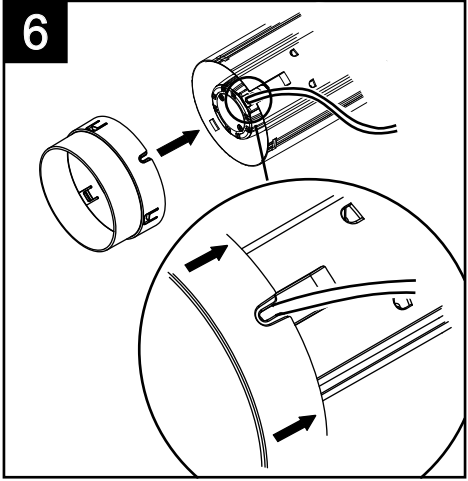
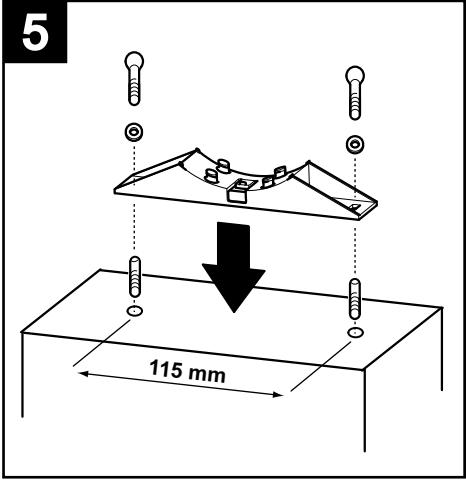
For further information on waste collection and disposal, contact your local waste disposal service, or the shop from which you purchased the appliance.

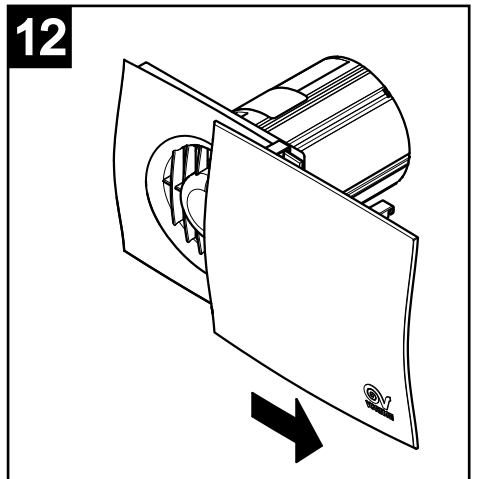
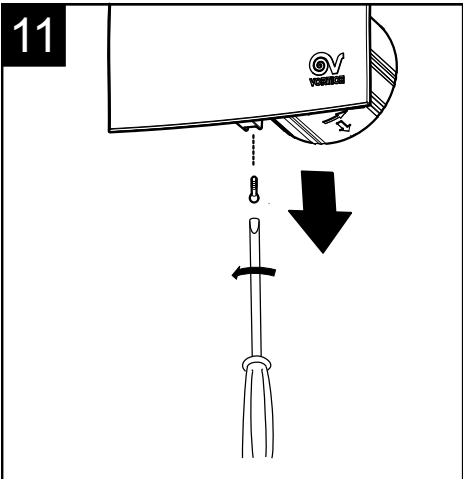
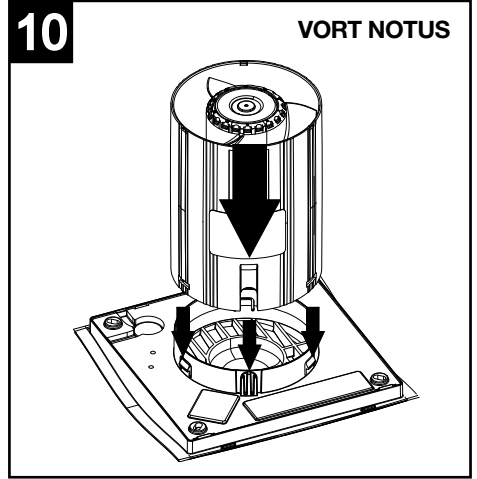
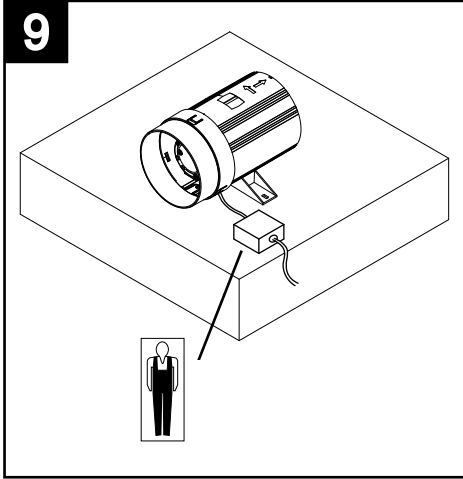
Manufacturers and importers fulfil their responsibilities for recycling, processing and environmentally compatible disposal either directly or by participating in collective systems.

FIGURE

FIGURES
FIGURES
ABBILDUNGEN
FIGURAS
FIGUREN
FIGURER





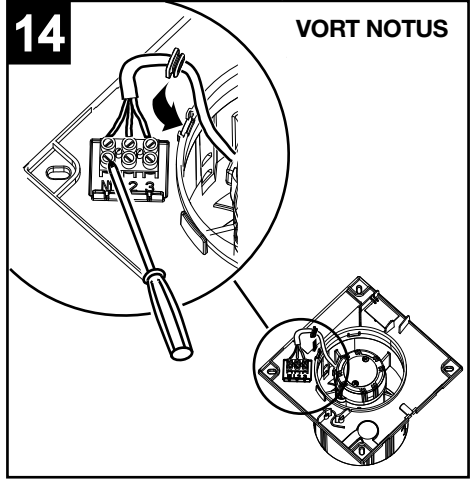


13

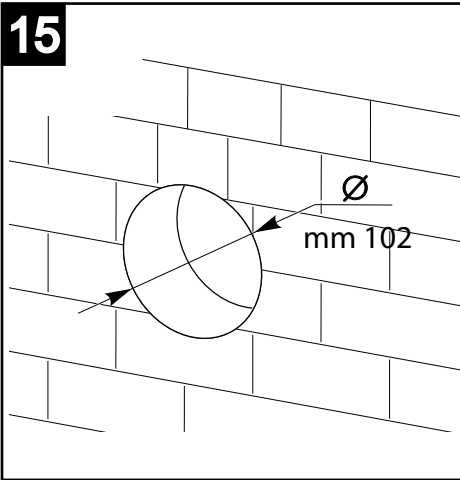


14

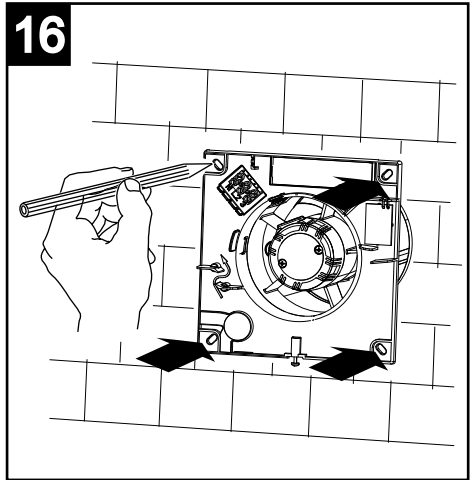
VORT NOTUS

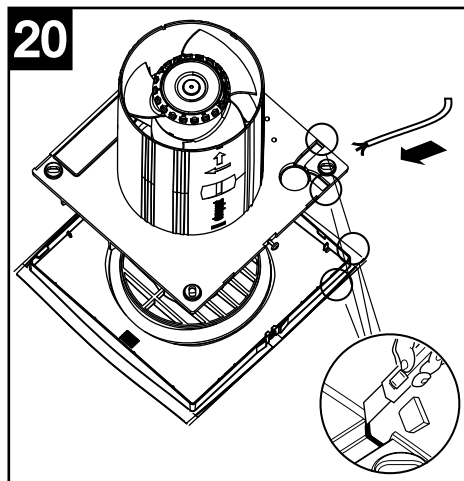
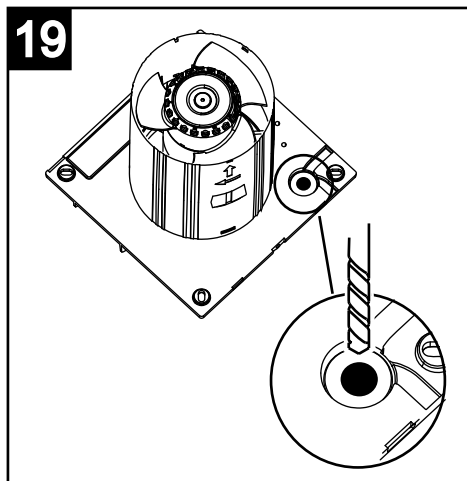
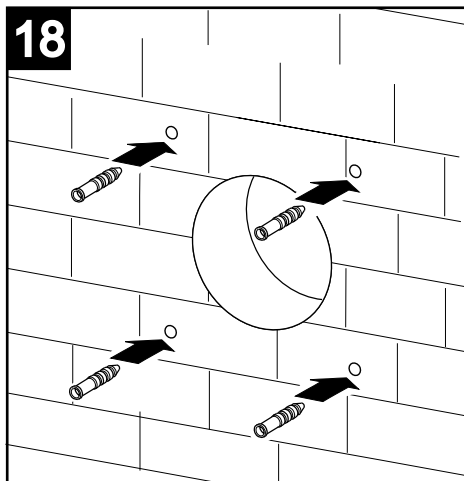
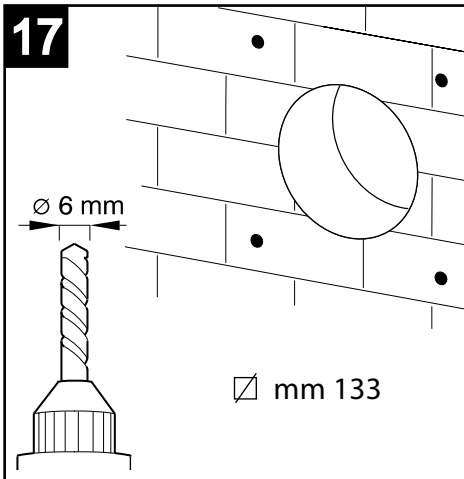


15

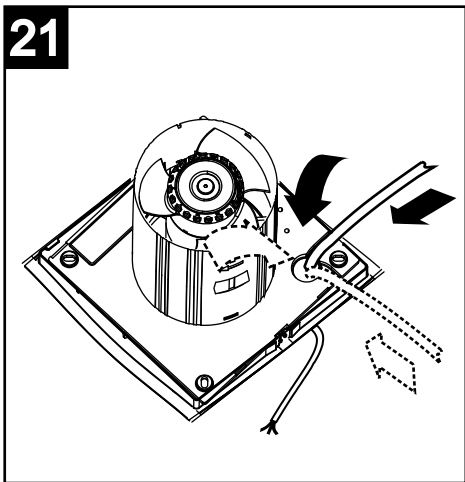


16

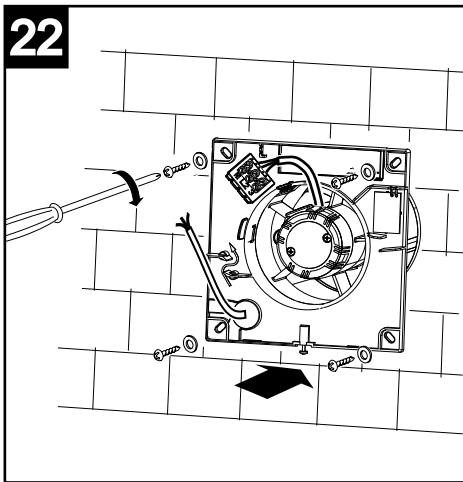




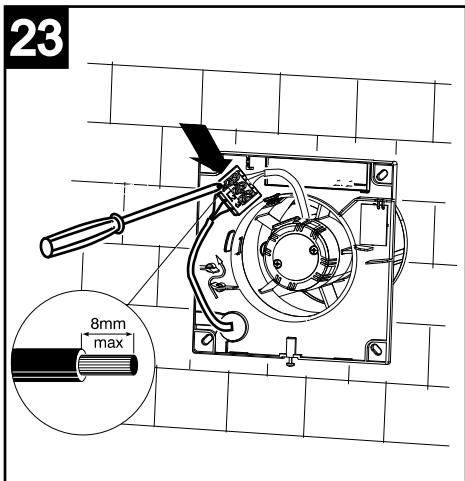
21



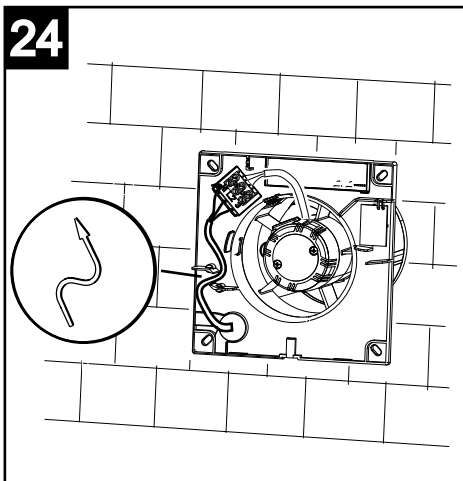
22

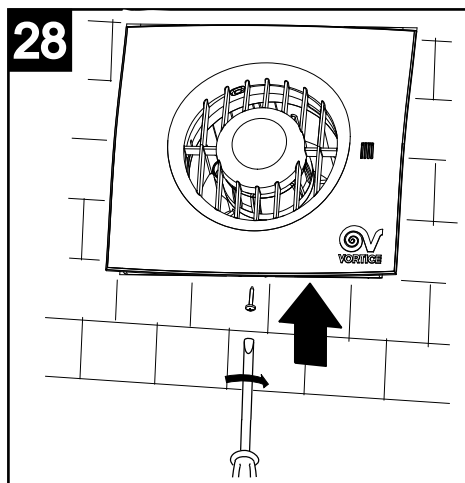
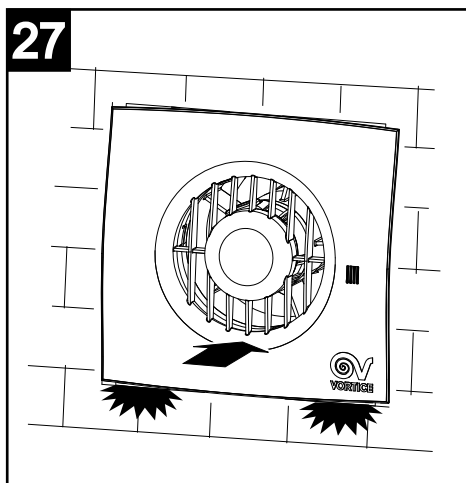
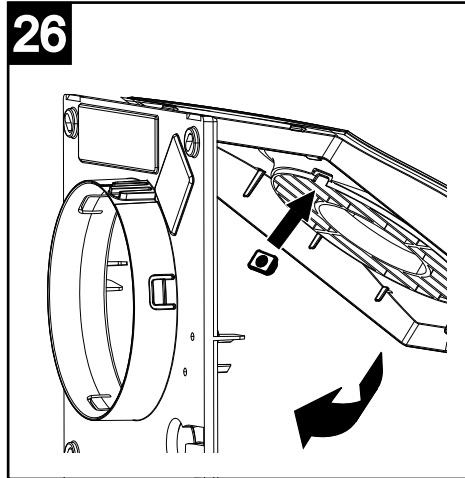
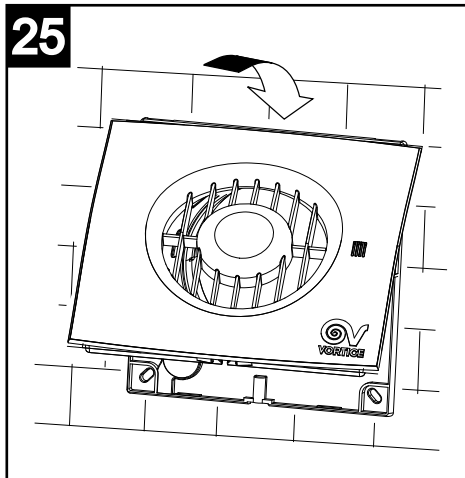


23

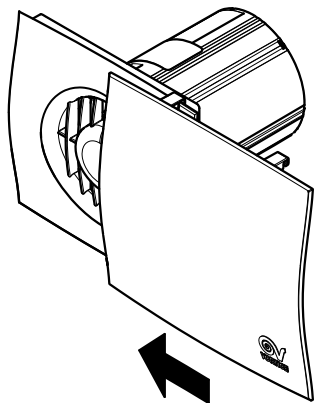


24

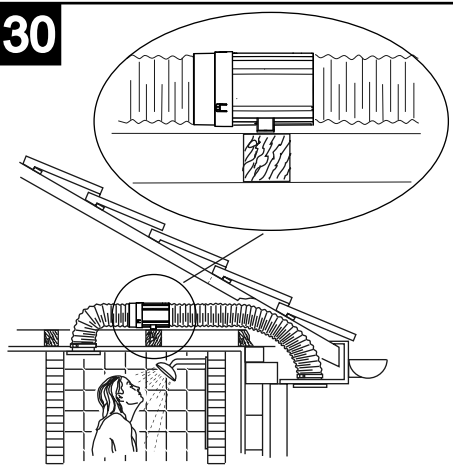




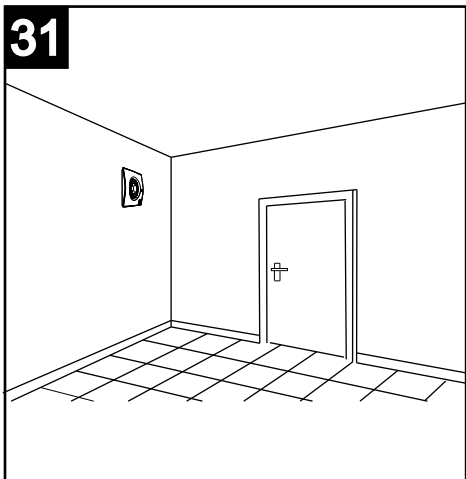
29



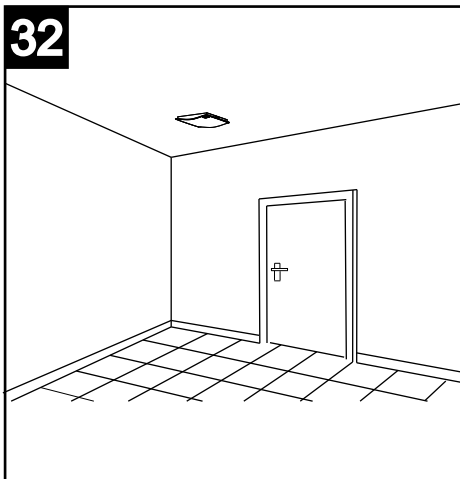
30

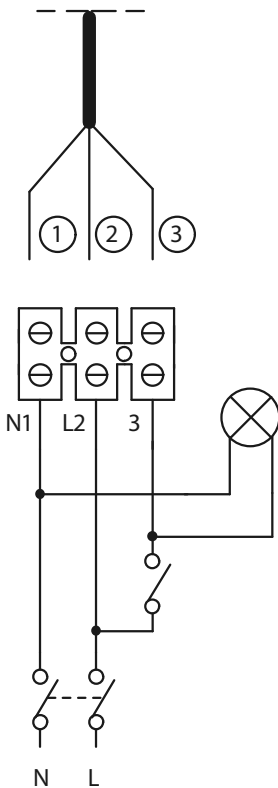


31



32



33**IT**

- 1) bianco
- 2) marrone
- 3) verde

ES

- 1) blanco
- 2) marrón
- 3) verde

EN

- 1) white
- 2) brown
- 3) green

NL

- 1) wit
- 2) bruin
- 3) groen

FR

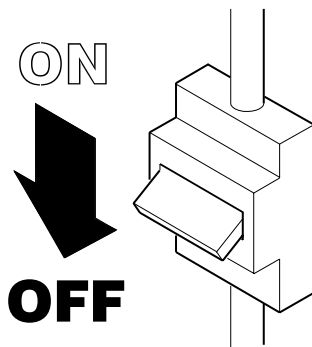
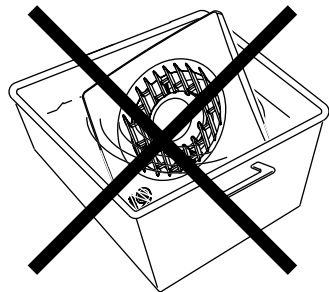
- 1) blanc
- 2) marron
- 3) vert

SV

- 1) vit
- 2) bryna
- 3) grön

DE

- 1) weiß
- 2) braunen
- 3) grün

34**35**

36

