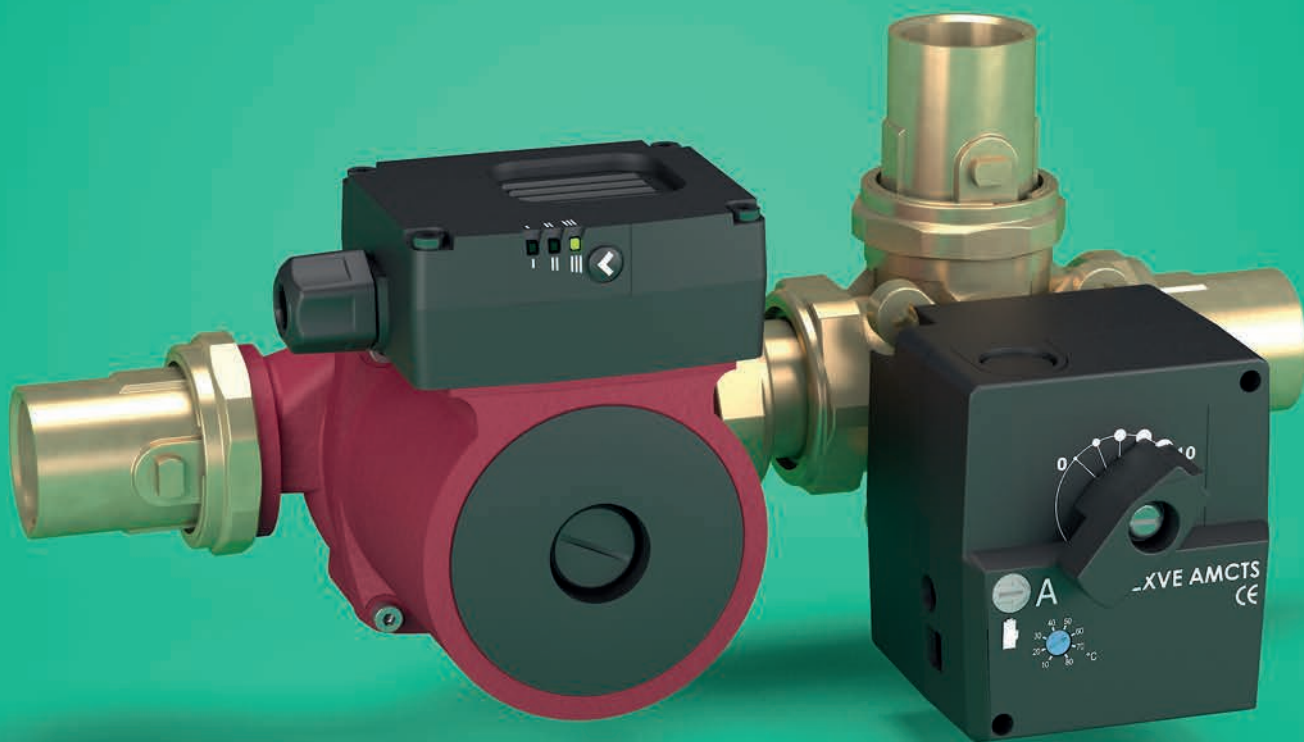


VEXVE

Vexve ACGE and ACG loading group manual



Vexve ACGE electrically operated loading group

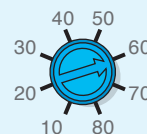
Product numbers: DN25 1410070 / DN32 1410071 / CU 28 mm 1410072



- Tmax. = 110 °C, Pmax. = 10 bar
- Vexve CTS constant controller maintains desired return water temperature
- Return water temperature range 10–80 °C freely adjustable
- Loading pump max. 2600 l/h, three different speed settings, see graph in ACG section
- Backflow function integrated to mixing valve
- R 1" union valves with integrated closing function (CU 28mm and R1 1/4" available)
- CTS actuator 24 VAC 50/60 Hz
- Adapter 230 VAC 50/60 Hz 300mA 2,5 m cable
- Temperature sensor T1 with 1 meter cable to return pipe

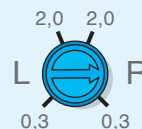
AM-CTS controller settings

Temperature adjust knob is on the front cover and setting for sensitivity and valve opening direction is under the cover.



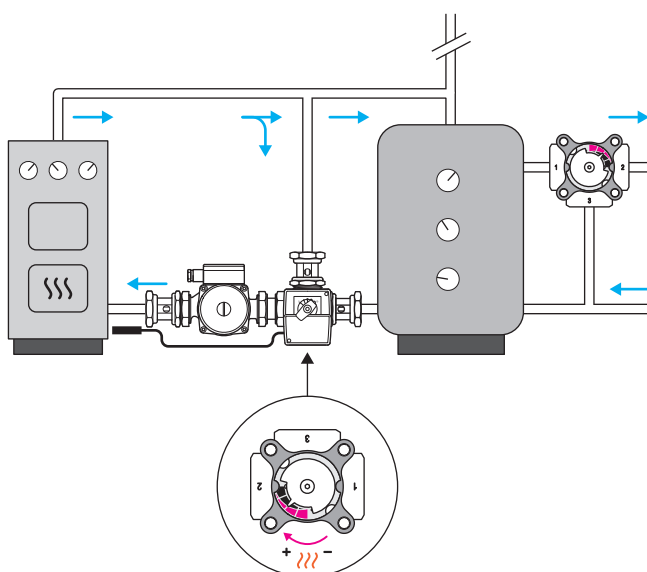
Temperature adjust knob

Factory default is 60-degrees return temperature

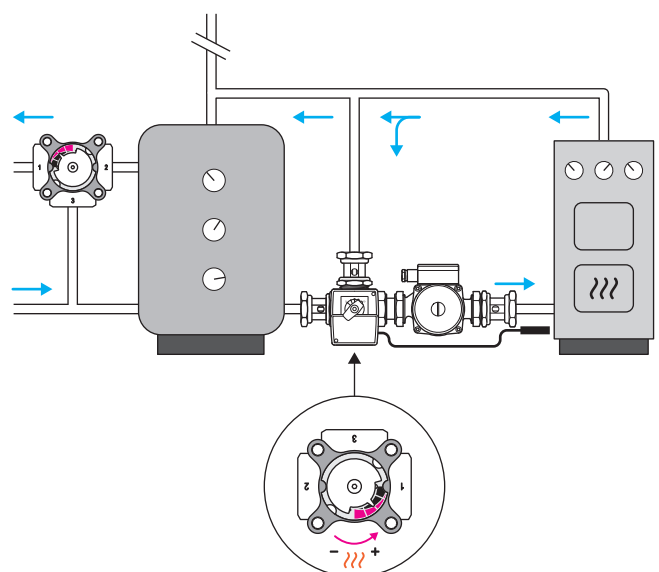


Opening direction and sensitivity

Default setting opens clockwise



Operation principle RIGHT
(delivery position)



Operation principle LEFT
(see AMV manual)

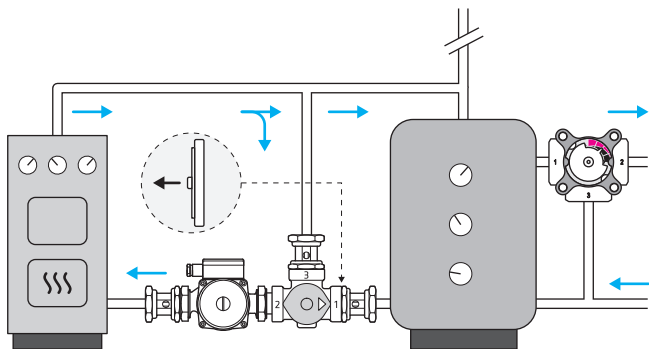
Vexve ACG thermally operated loading group

Product numbers 55/61 °C: DN25 1410050 / DN32 1410051 / CU 28 mm 1410052

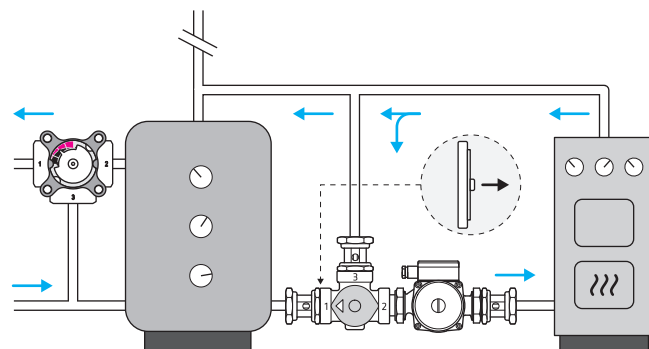
Product numbers 72/80 °C: DN25 1410060 / DN32 1410061 / CU 28 mm 1410062



- Tmax = 110 °C, Pmax = 10 bar
- Opening temperatures 55/61 °C (exchange thermostat included) (72/80 °C also available)
- Loading pump max. 2600 l/h, three different speed settings
- Backflow function integrated to thermic valve
- R 1" union valves with integrated closing function (CU 28mm and R1 1/4" available)
- Flow rates with different pump settings according to graph (same graph with ACGE)

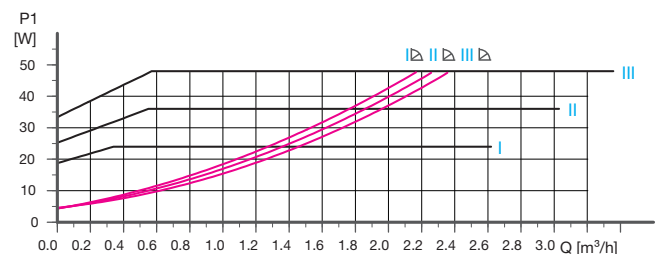
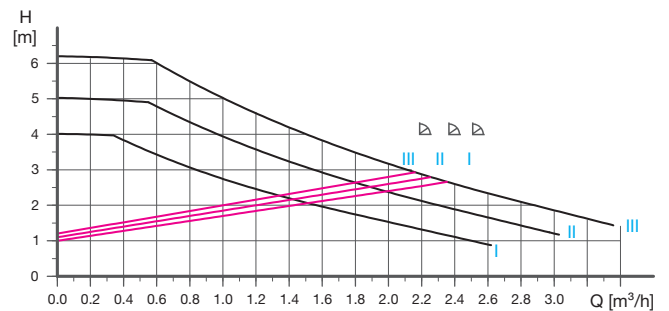


Operating principle RIGHT
(delivery position)

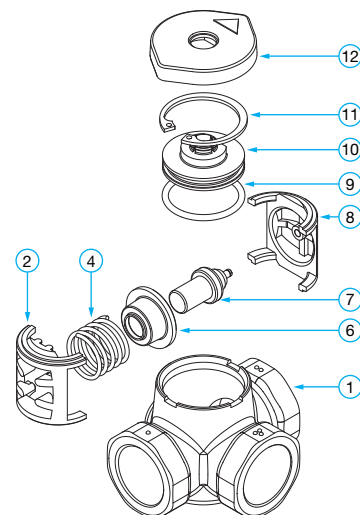


Operation principle LEFT
(see ALV manual)

Grundfos UPS2 25-40/60 7-48W 230VAC 50Hz

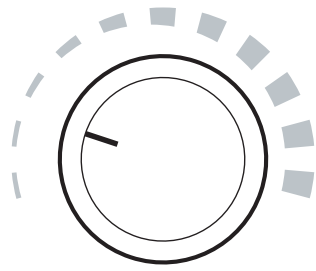


Flow rates with different pump settings according graph
(Same graph with ACGE)



Product No.	Title
1	1910050-1910056 Body ALV & ADV valves
2	1920232 ALV segment 2
4	1920621 Spring 2x25x35
6	1920230 Thermostatic element disc
7	1920807 Wax element
8	1920231 ALV segment 2
9	1910060 O-ring 34,2x3,0 EPDM
10	1910058 ALV pressure cover
11	1910061 Circlip DIN472 - 40x1,75
12	1910059 ALV cover

Thermic element is easy to exchange. Changing the operation position is possible when valve is pressurized without opening the valve.



Keep **energy** under control



Vexve Oy

Pajakatu 11
FI-38200 Sastamala
Finland

Tel. +358 10 734 0800
Fax +358 10 734 0839

Riihenkalliontie 10
FI-23800 Laitila
Finland

vexve.customer@vexve.com

www.vexve.com

