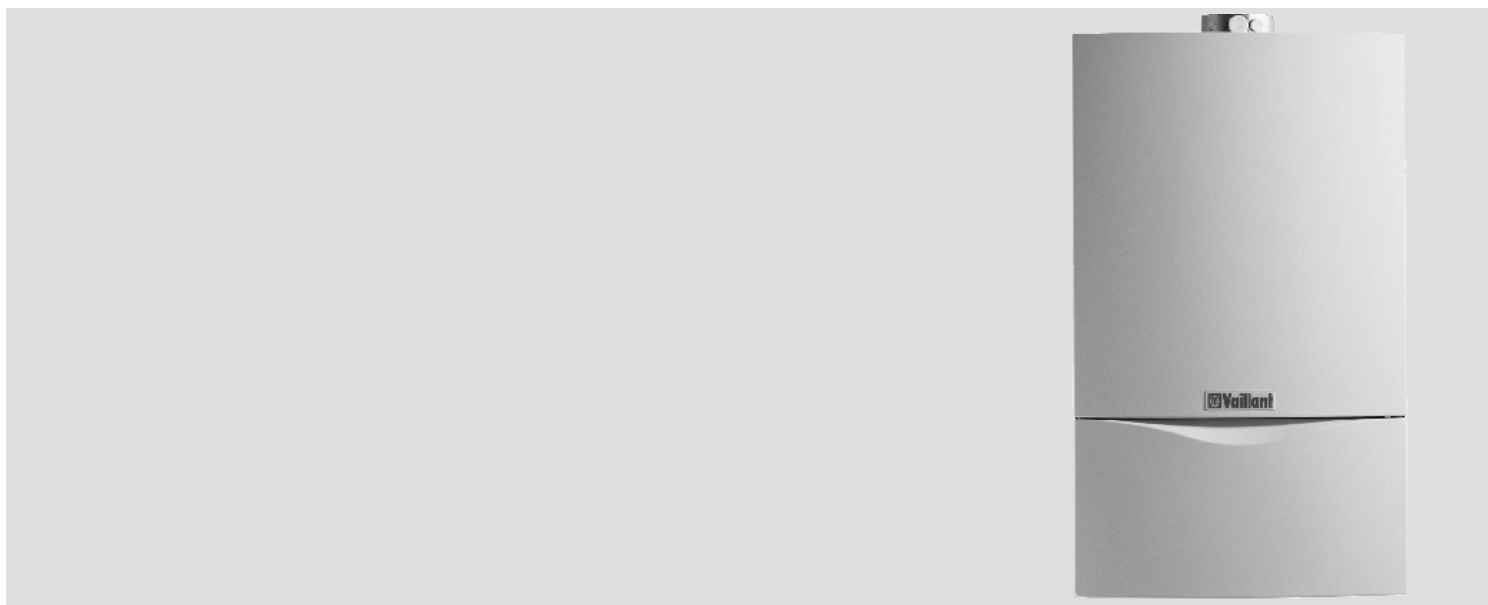


Spare part catalogue

840038.03 GB 07/2006



Wall-hung boilers TURBOmax Pro/Plus

TURBOmax Pro 24-28 E

- VUW 242-3
- VUW 242/2-3
- VUW 242/2-3 R1
- VUW 242/2-3 R2
- VUW 242/2-3 R3
- VUW 282-3
- VUW 282/2-3
- VUW 282/2-3 R1
- VUW 282/2-3 R2
- VUW 282/2-3 R3

TURBOmax Plus 824-836 E

- VUW 242-5
- VUW 242/2-5
- VUW 242/2-5 R1
- VUW 242/2-5 R2
- VUW 242/2-5 R3
- VUW 282-5
- VUW 282/2-5
- VUW 282/2-5 R1
- VUW 282/2-5 R2
- VUW 282/2-5 R3
- VUW 362/2-5
- VUW 362/2-5 R3

Content

General view of sheet	VUW 242-3, VUW 242-5, VUW 282-3, VUW 282-5	Page 3
04 Burner		Page 4
05 Gas section		Page 6
06 Heat exchanger		Page 8
07a Casing parts		Page 10
07b Air pressure chamber, fan		Page 12
08a Hydraulic parts		Page 14
08b Connecting accessories		Page 18
12 Control box		Page 20
General view of sheet	VUW 242/2-3, VUW 242/2-5, VUW 282/2-3, VUW 282/2-5	Page 23
04 Burner		Page 24
05 Gas section		Page 26
06 Heat exchanger		Page 28
07a Casing parts		Page 30
07b Air pressure chamber, fan		Page 32
08a Hydraulic parts		Page 34
08b Connecting accessories		Page 38
12 Control box		Page 40
General view of sheet	VUW 242/2 -3,-5 R1...R3, VUW 282/2 -3,-5 R1...R3, VUW 362/2-5, VUW 362/2-5 R3	Page 43
04 Burner		Page 44
05 Gas section		Page 46
06 Heat exchanger		Page 48
07a Casing parts		Page 50
07b Air pressure chamber, fan		Page 52
08a Hydraulic parts		Page 54
08b Connecting accessories		Page 58
12 Control box		Page 60
Notes		Page 62

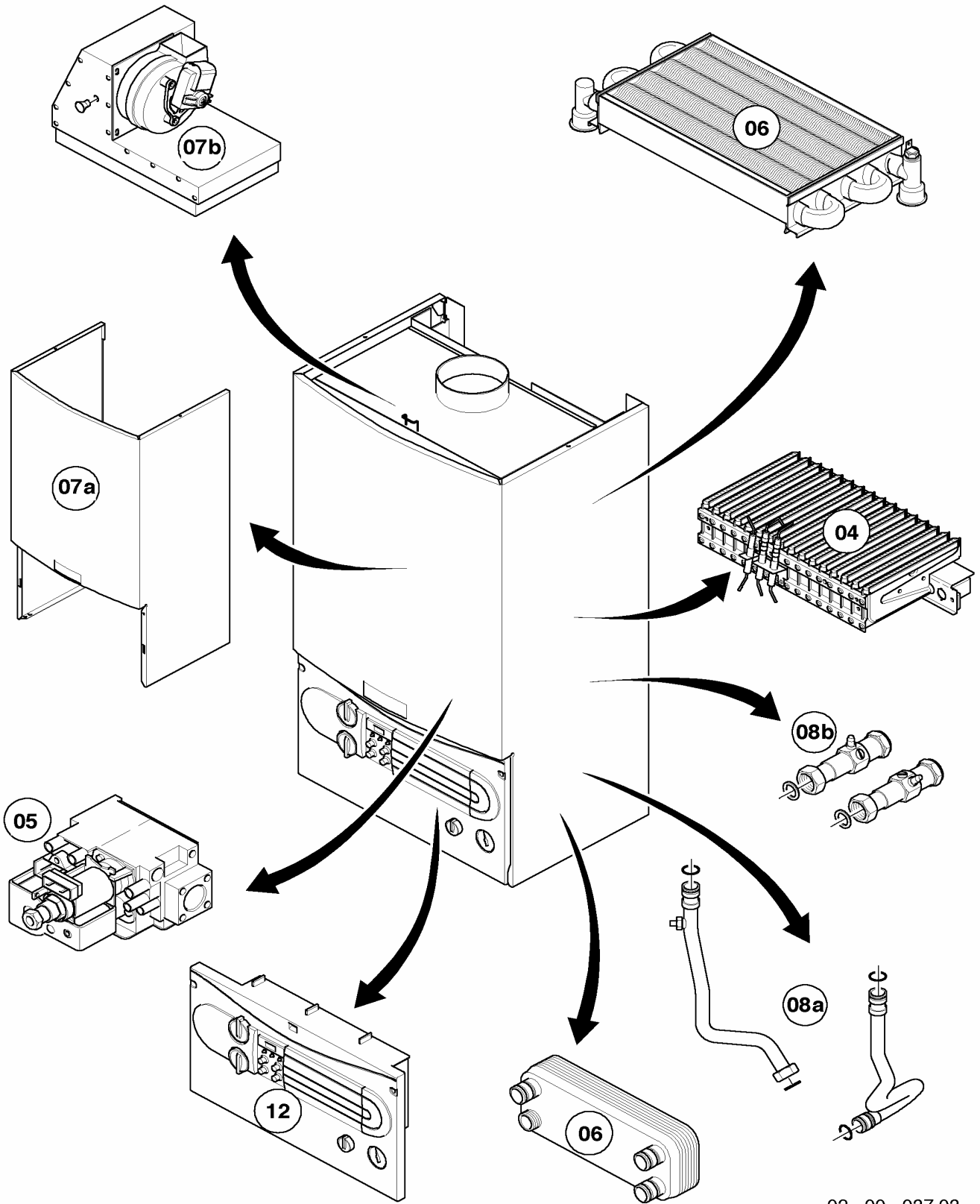
In order to maintain the safe and efficient operation of this appliance, only genuine Vaillant spare parts must be used.

Subject to alteration !

Attention: Please take the gross price from the valid price list !

General view of sheet

TURBOmax pro 24 E, TURBOmax plus 824 E, TURBOmax pro 28 E, TURBOmax plus 828 E
VUW 242-3, VUW 242-5, VUW 282-3, VUW 282-5



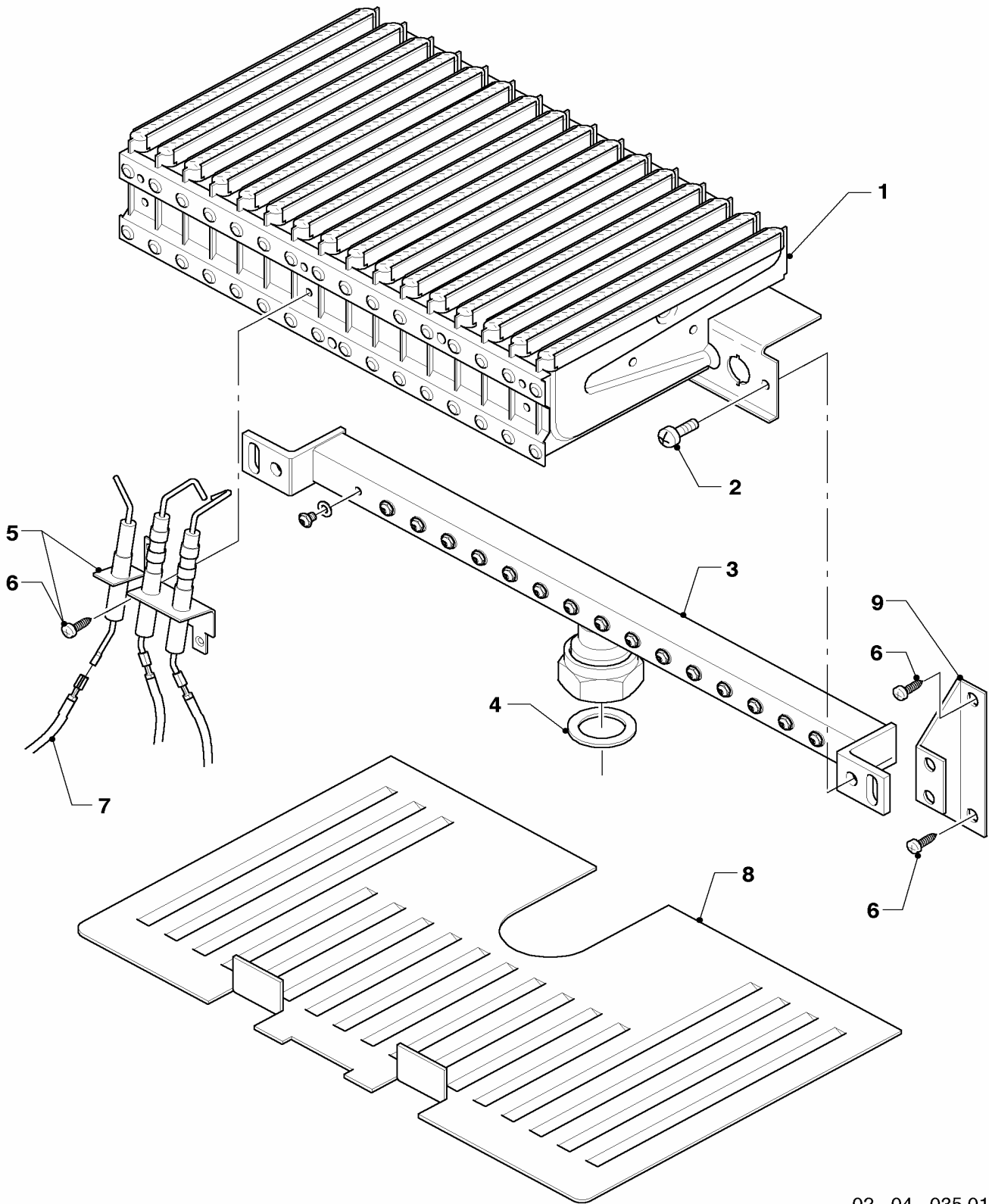
02 - 00 - 037.03

Subject to alteration !

Attention: Please take the gross price from the valid price list !

04 Burner

TURBOMax pro 24 E, TURBOMax plus 824 E, TURBOMax pro 28 E, TURBOMax plus 828 E
VUW 242-3, VUW 242-5, VUW 282-3, VUW 282-5



02 - 04 - 035.01

04 Burner

TURBOMax pro 24 E, TURBOMax plus 824 E, TURBOMax pro 28 E, TURBOMax plus 828 E
VUW 242-3, VUW 242-5, VUW 282-3, VUW 282-5

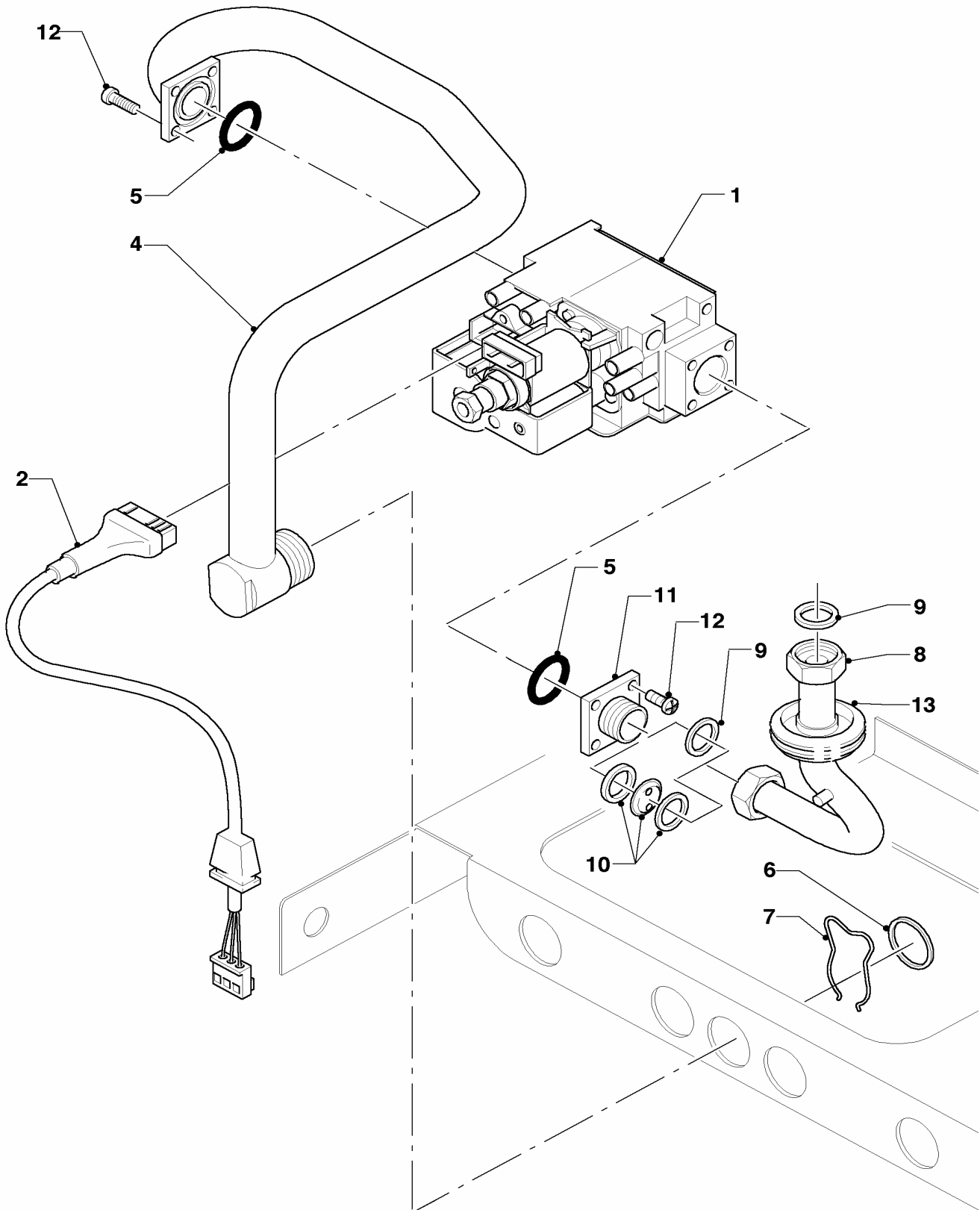
Pos.	Art.-No	Part	Type, note
		02-04-035	
01	031500	burner chamber group	VUW 242-3, 242-5, with part 02
01	031501	burner chamber group	VUW 282-3, 282-5, with part 02
02	118937	lens head screw	
03	126752	distributor tube,cpl. H	VUW 242-3, 242-5, H, with parts 02,04
03	126755	distributor tube,cpl. B	VUW 242-3, 242-5, B, with parts 02,04
03	126753	distributor tube,cpl. H	VUW 282-3, 282-5, H, with parts 02,04
03	126756	distributor tube,cpl. B	VUW 282-3, 282-5, B, with parts 02,04
04	981142	packingring (set of 10)	
05	090724	ignition + monitoring elektrode	with part 06
06	235715	screw ISO 7049	
07	256097	cable tree	
08	-	-	not for GB
09	-	-	not for these appliances

Subject to alteration !

Attention: Please take the gross price from the valid price list !

05 Gas section

TURBOmax pro 24 E, TURBOmax plus 824 E, TURBOmax pro 28 E, TURBOmax plus 828 E
VUW 242-3, VUW 242-5, VUW 282-3, VUW 282-5



02 - 05 - 011.02

05 Gas section

TURBOMax pro 24 E, TURBOMax plus 824 E, TURBOMax pro 28 E, TURBOMax plus 828 E
 VUW 242-3, VUW 242-5, VUW 282-3, VUW 282-5

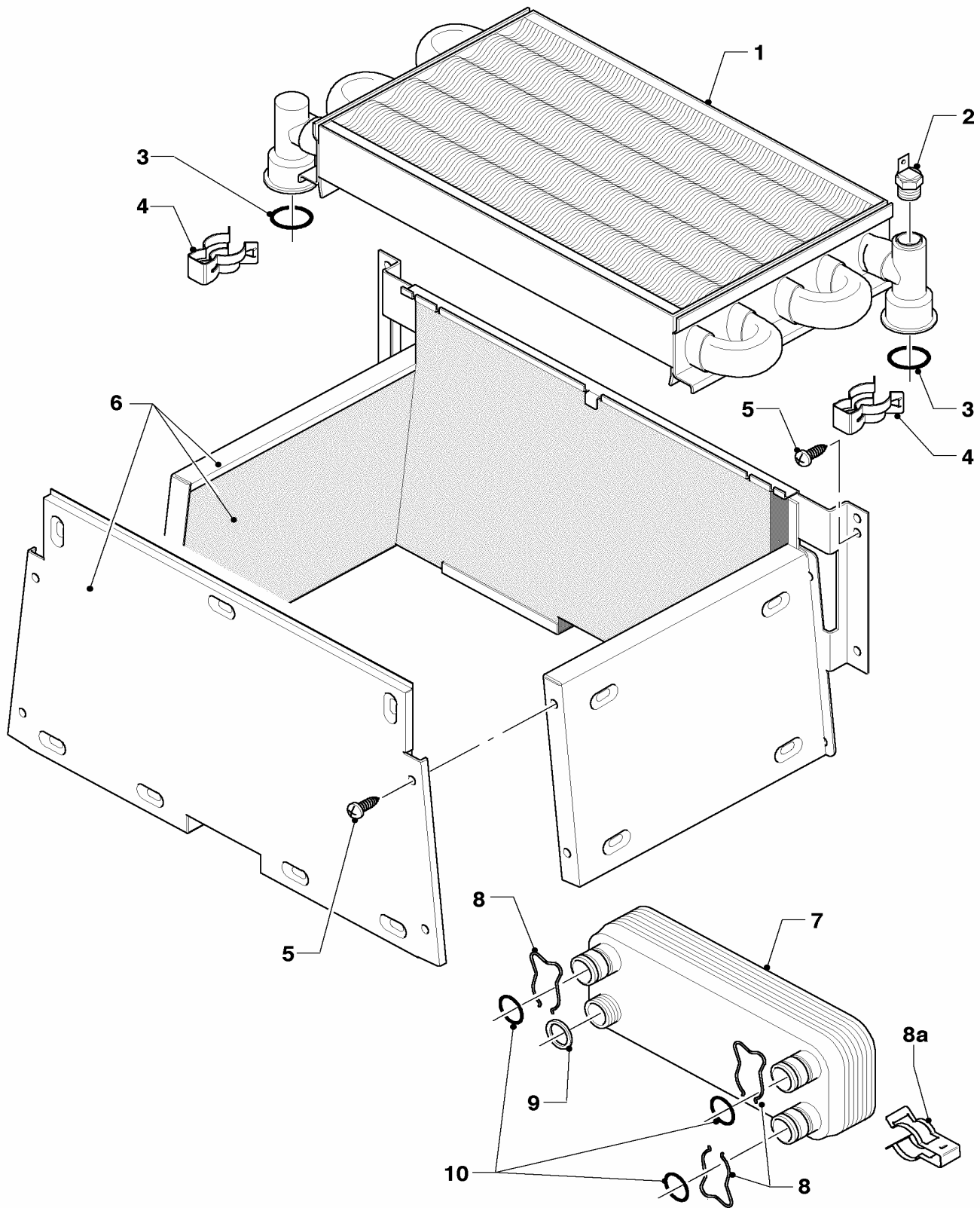
Pos.	Art.-No	Part	Type, note
		02-05-011	
00	201991	conversion set P/B (SIT+HW)	VUW ..., H, not shown
00	222369	conversion set H (SIT+HW)	VUW ..., B, not shown
01	053462	gas section, cpl. H	VUW ..., H (SIT), with parts 05,09,11,12
01	053473	gas section, cpl. H	VUW ..., H (Honeywell), with parts 05,09,11,12
01	053463	gas section, cpl. P/B	VUW ..., B (SIT), with parts 05,10,11,12
01	053499	gas section, cpl. P/B	VUW ..., B (Honeywell), with parts 05,10,11,12
02	090915	connection cable	SIT, for appliances without pressure sensor (see hydraulic parts 08a, pos. 4a)
02	114192	connection cable	SIT, for appliances with pressure sensor (see hydraulic parts 08a, pos. 4a)
02	090929	connection cable	Honeywell
04	123420	gas tube, cpl. VUW	with parts 05,06,07
05	982319	seal, o-ring	
06	981140	packingring (set of 10)	
07	219622	spring clamp (set of 10)	
08	123423	tube, cpl.	with parts 09,10
09	981142	packingring (set of 10)	
10	-	-	VUW ..., H, These appliances do not have a throttle jet.
10	049750	pre-nozzle (2 x 3.50)	VUW 242-3, 242-5, B
10	049752	pre-nozzle (2 x 4.00)	VUW 282-3, 282-5, B
11	147759	adaptor piece	with parts 05,09,10,12
12	105901	lens head screw M4x10 (pack of 10)	
13	980765	grommet	

Subject to alteration !

Attention: Please take the gross price from the valid price list !

06 Heat exchanger

TURBOmax pro 24 E, TURBOmax plus 824 E, TURBOmax pro 28 E, TURBOmax plus 828 E
VUW 242-3, VUW 242-5, VUW 282-3, VUW 282-5



02 - 06 - 026.02

06 Heat exchanger

TURBOMax pro 24 E, TURBOMax plus 824 E, TURBOMax pro 28 E, TURBOMax plus 828 E
VUW 242-3, VUW 242-5, VUW 282-3, VUW 282-5

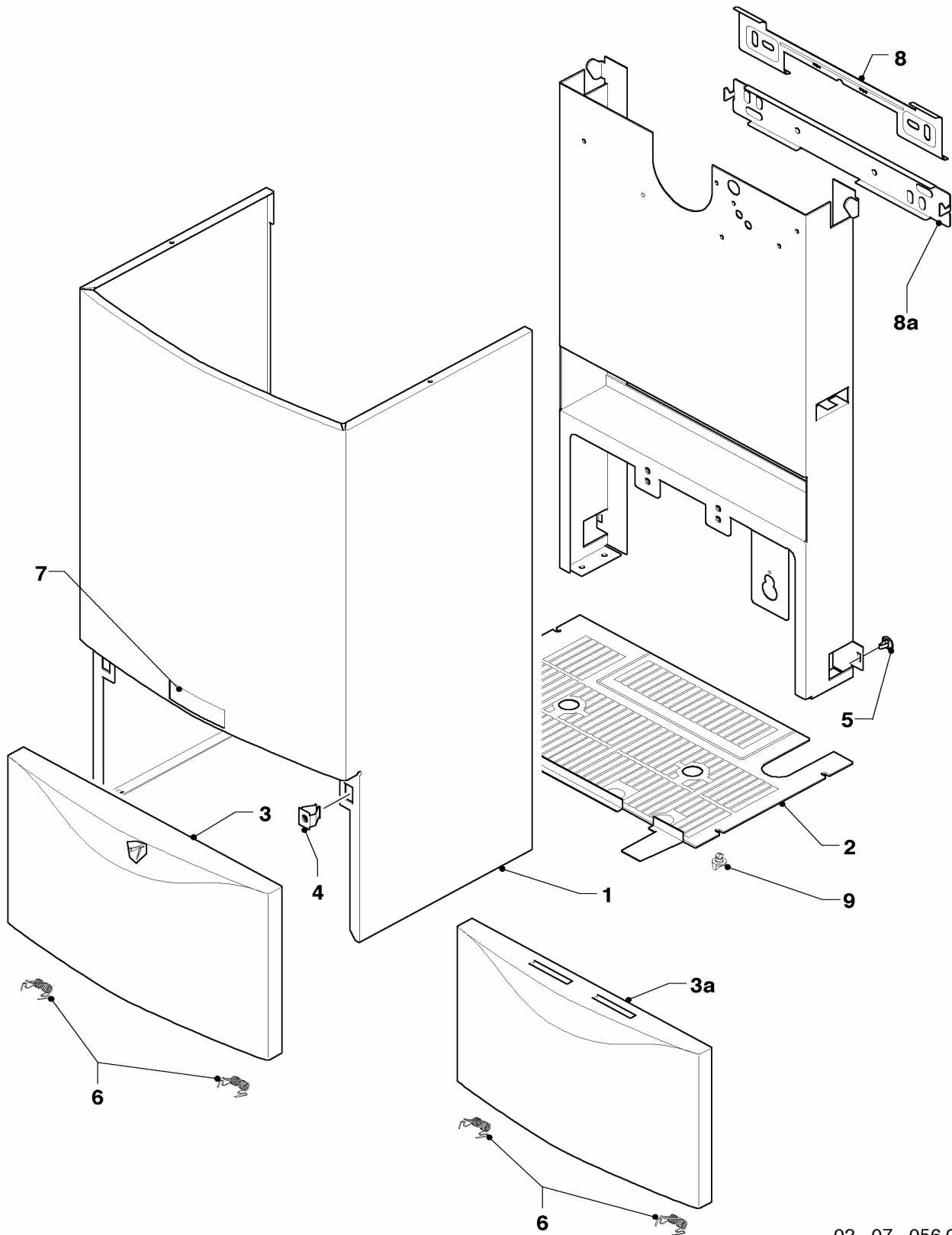
Pos.	Art.-No	Part	Type, note
		02-06-026	
01	064714	heat exchanger, cpl. 24kW	VUW 242-3, 242-5, incl. both tubes, with parts 03,04
01	104596	heat exchanger, cpl. 28kW	VUW 282-3, 282-5, incl. both tubes, with parts 03,04
02	252805	NTC-sensor	
03	981151	packingring (set of 10)	
04	219621	spring clamp (set of 10)	
05	235715	screw ISO 7049	
06	117546	combustion chamber, 24kW	VUW 242-3, 242-5, with part 05
06	117545	combustion chamber, 28-36kW	VUW 282-3, 282-5, with part 05
07	065088	secondary heat exchanger 12 plates	with parts 08,09,10
08	219622	spring clamp (set of 10)	
08a	-	-	not for these appliances
09	981142	packingring (set of 10)	
10	981163	packingring (set of 10)	

Subject to alteration !

Attention: Please take the gross price from the valid price list !

07a Casing parts

TURBOMax pro 24 E, TURBOMax plus 824 E, TURBOMax pro 28 E, TURBOMax plus 828 E
VUW 242-3, VUW 242-5, VUW 282-3, VUW 282-5



02 - 07 - 056.04

07a Casing parts

TURBOMax pro 24 E, TURBOMax plus 824 E, TURBOMax pro 28 E, TURBOMax plus 828 E
VUW 242-3, VUW 242-5, VUW 282-3, VUW 282-5

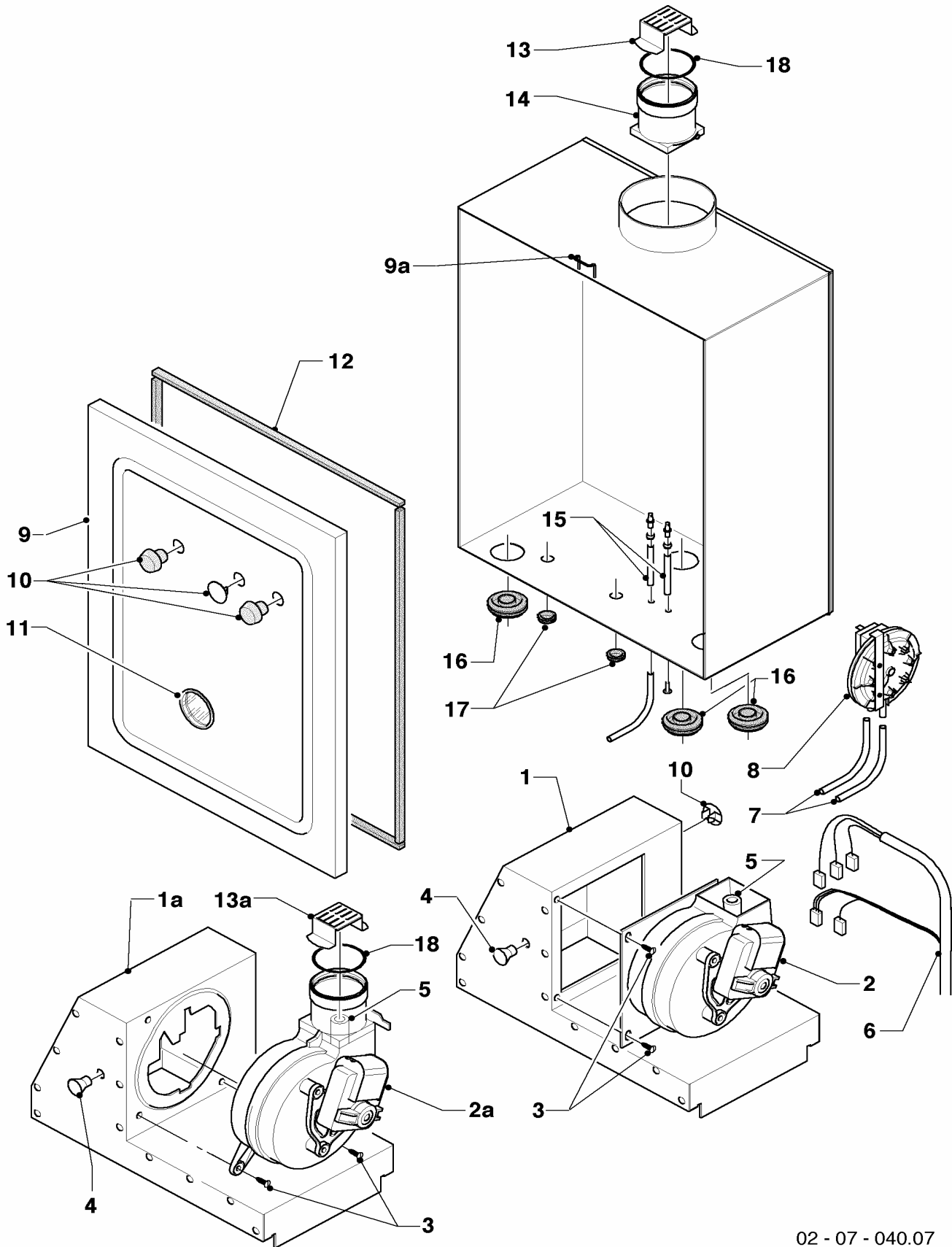
Pos.	Art.-No	Part	Type, note
		02-07-056	
01	067314	case cpl.	with parts 04,05,07
02	079533	covering grid plate	
03	209714	cover, casing	until 09/02
03	078954	cover, casing (sheet metal)	with part 06, until 09/02
03a	078978	cover, casing	from 09/02
03a	078345	cover, casing (sheet metal)	with part 06, from 09/02
04	219620	clip (pack of 10)	
05	219619	clip (pack of 10)	
06	188742	spring (pack of 2)	
07	118096	badge, cpl.	
08	098919	hanging bracket	until 09/02
08a	091417	hanging bracket (assembly kit)	from 09/02
09	290811	clip (pack of 4)	

Subject to alteration !

Attention: Please take the gross price from the valid price list !

07b Air pressure chamber, fan

TURBOMax pro 24 E, TURBOMax plus 824 E, TURBOMax pro 28 E, TURBOMax plus 828 E
VUW 242-3, VUW 242-5, VUW 282-3, VUW 282-5



02 - 07 - 040.07

07b Air pressure chamber, fan

TURBOMax pro 24 E, TURBOMax plus 824 E, TURBOMax pro 28 E, TURBOMax plus 828 E
 VUW 242-3, VUW 242-5, VUW 282-3, VUW 282-5

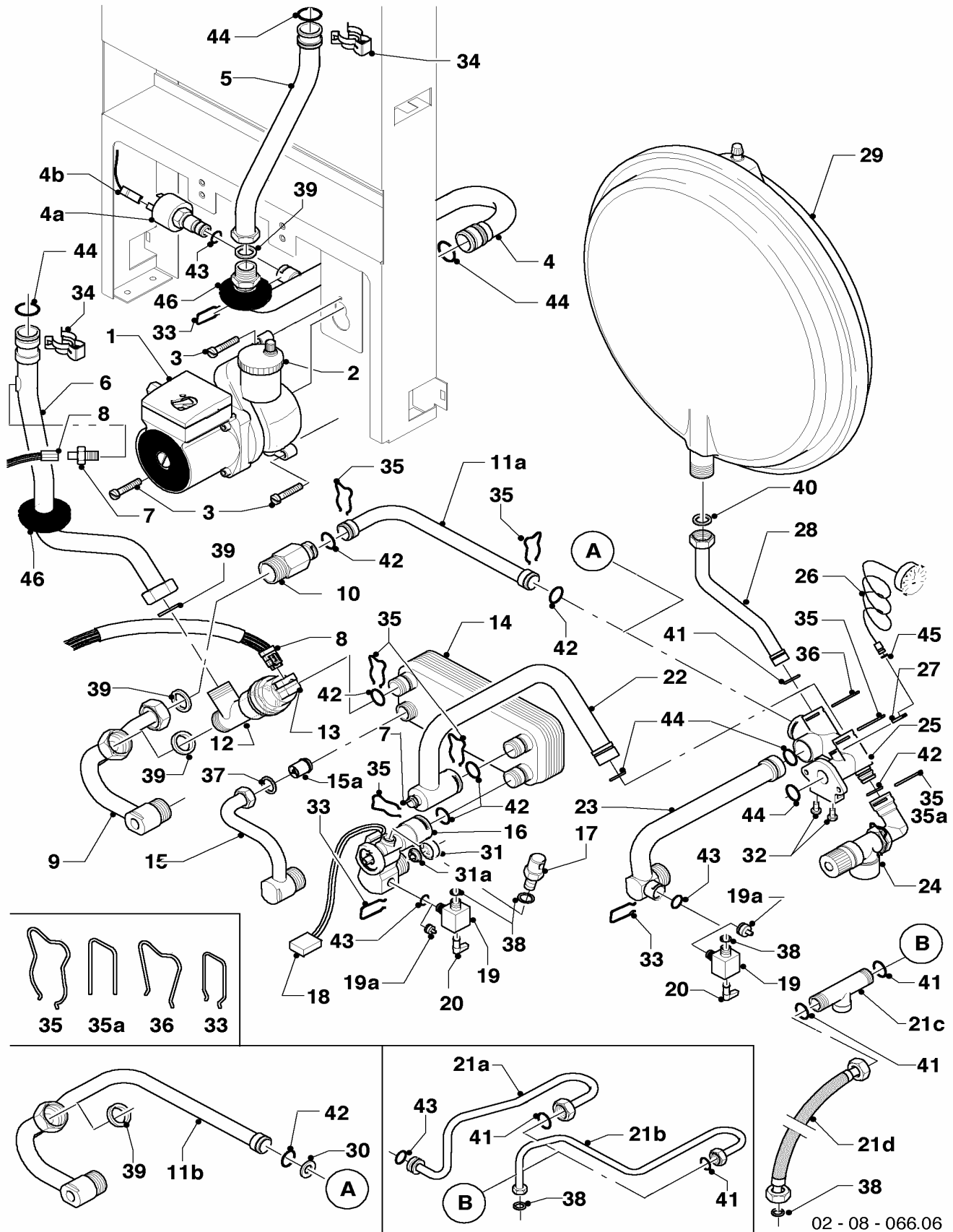
Pos.	Art.-No	Part	Type, note
		02-07-040	
01	077793	flue collector cap	VUW 242-3, 242-5, with parts 04,10
01	077794	flue collector cap	VUW 282-3, 282-5, with parts 04,10
01a	-	-	not for these appliances
02	190215	fan	with parts 03,05
02a	-	-	not for these appliances
03	235715	screw ISO 7049	
04	210981	rubber funnel	
05	094282	pitot tube, cpl.	MVL + FIME
06	256097	cable tree	
07	084139	hose, cpl.	
08	0020018138	fan proving switch	with part 07
09	078910	combustion chamber cover, cpl.	with parts 10,11,12
09a	0020029605	clip (pack of 10)	
10	139472	plug (set)	
11	-	-	for replacement see pos. 09 (cover underpressure chamber, cpl.) no longer available
12	981048	seal, cpl.	
13	194166	reducing ring F/F0/F1/F2	
13a	-	-	not for these appliances
14	083384	sleeve, cpl.	with part 18
15	133627	test nipple, cpl.	
16	980765	grommet	
17	980766	seal	
18	981178	packingring	

Subject to alteration !

Attention: Please take the gross price from the valid price list !

08a Hydraulic parts

TURBOMax pro 24 E, TURBOMax plus 824 E, TURBOMax pro 28 E, TURBOMax plus 828 E
 VUW 242-3, VUW 242-5, VUW 282-3, VUW 282-5



08a Hydraulic parts

TURBOMax pro 24 E, TURBOMax plus 824 E, TURBOMax pro 28 E, TURBOMax plus 828 E
 VUW 242-3, VUW 242-5, VUW 282-3, VUW 282-5

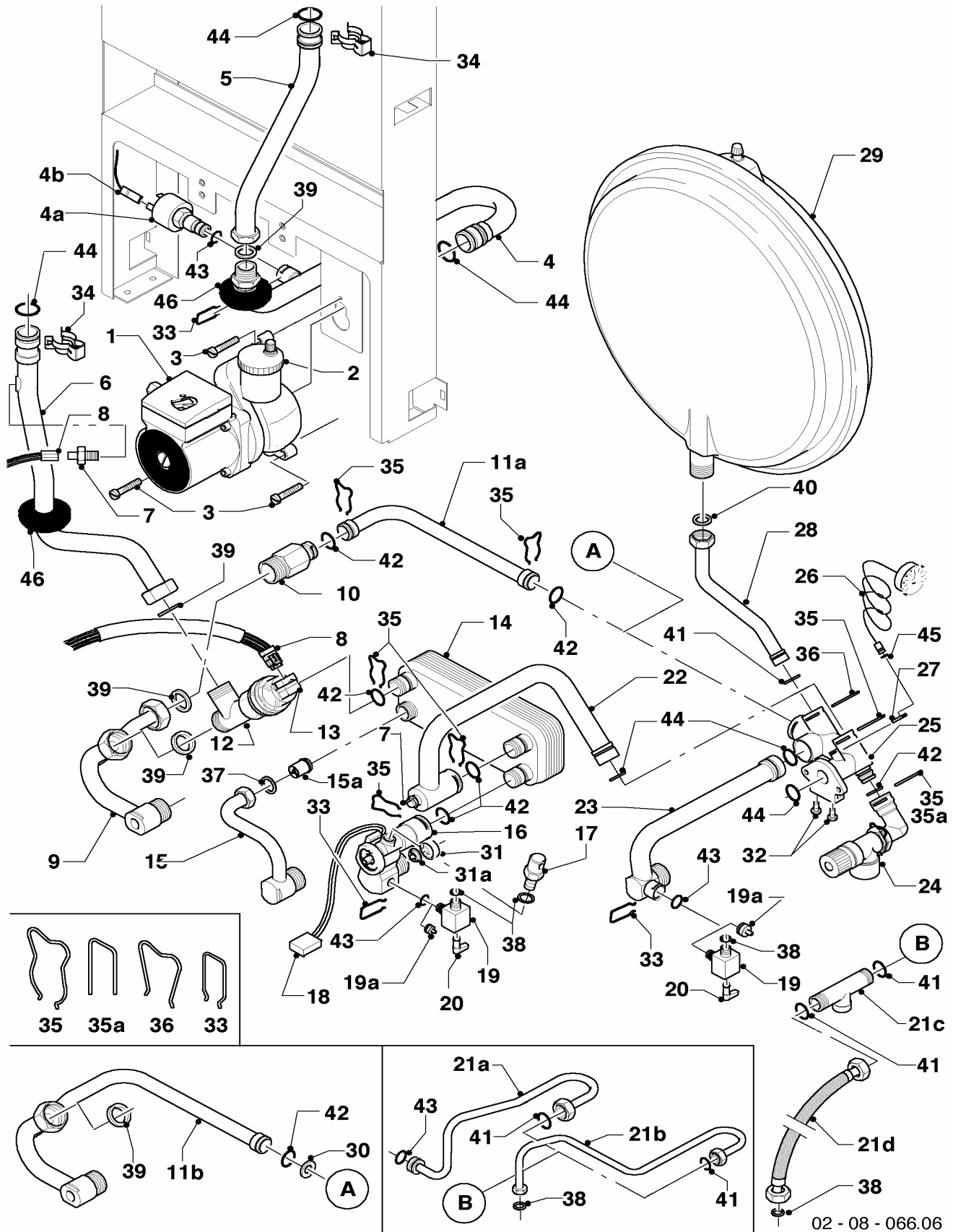
Pos.	Art.-No	Part	Type, note
		02-08-066	
01	160928	pump, VP5 Grundfos	with parts 03,44
02	061707	automatic de-aerator	
03	118951	lens head screw	
04	019383	connecting tube, cpl.	with parts 39,44,46 for appliances without pressure sensor (see pos. 4a)
04	114193	connecting tube, cpl.	with parts 33,39,43,44,46 for appliances with pressure sensor (see pos. 4a)
04a	712087	pressure sensor	with parts 33,43
04b	114192	connection cable	only for appliances with pressure sensor (pos. 4a)
05	019379	connecting tube, cpl.	VUW 242-3, 242-5, with parts 34,39,44, only for heat exchanger with its own NTC-sensor!
05	023222	connecting tube, cpl. with NTC-sensor	VUW 242-3, 242-5, with parts 34,39,44, only for heat exchanger without its own NTC-sensor!
05	019381	connecting tube, cpl.	VUW 282-3, 282-5, with parts 34,39,44, only for heat exchanger with its own NTC-sensor!
05	104597	connecting tube, cpl. with NTC-sensor	VUW 282-3, 282-5, with parts 34,39,44, only for heat exchanger without its own NTC-sensor!
06	019385	connecting tube, cpl.	VUW 242-3, 242-5, with parts 34,39,44,46, only for heat exchanger with its own NTC-sensor!
06	023223	connecting tube, cpl.	VUW 242-3, 242-5, with parts 34,39,44,46, only for heat exchanger without its own NTC-sensor!
06	019387	connecting tube, cpl.	VUW 282-3, 282-5, with parts 34,39,44,46, only for heat exchanger with its own NTC-sensor!
06	104602	connecting tube, cpl.	VUW 282-3, 282-5, with parts 34,39,44,46, only for heat exchanger without its own NTC-sensor!
07	252805	NTC-sensor	
08	256097	cable tree	
09	019391	connecting tube, cpl.	VUW ...-5, with parts 35,39
10	150240	automatic bypass valve, cpl. 2.5m	VUW ...-5, with parts 35,39,42, 2.5m
10	150242	automatic bypass valve, cpl. 1.7m	VUW ...-5, with parts 35,39,42, 1.7m
10	150243	automatic bypass valve, cpl. 3.5m	VUW ...-5, with parts 35,39,42, 3.5m
11a	019390	connecting tube, cpl.	VUW ...-5, with parts 35,42
11b	019389	connecting tube, cpl.	VUW ...-3, with parts 30,35,39,42
12	252457	diverter valve	with parts 35,39,42
13	140429	diverter valve actuator	
14	065088	secondary heat exchanger 12 plates	with parts 35,37,42
15	081162	warm water connection	with parts 35,37
15a	014737	non-return valve	
16	194819	aqua-sensor, cpl.	with parts 31,33,35,42,43
16	0020029604	impeller from aqua sensor	not shown
17	014692	overpressure valve	VUW ...-5, with part 38
18	711933	sensor	
19	014675	filling valve without non-return valve	VUW ...-5, with parts 20,33,38,43
19a	139471	plug (compl.)	with part 43
20	125151	handle for drain cock	
21a	019376	connection tube, cpl. fill-in device	VUW ...-5, with parts 41,43, with 1 filling valve
21b	092005	connection tube, cpl. fill-in device	VUW ...-5, with parts 41,43, with 2 filling valves
21c	014676	non-return valve, cpl.	VUW ...-5, with part 41
21d	095610	flexible metal hose	VUW ...-5, with parts 38,41
22	019388	connecting tube, cpl.	with parts 35,42,44
23	019377	connecting tube, cpl.	with parts 19a,33,35,43,44
24	190732	pressure relief valve	with parts 35,42
25	019392	connecting piece, cpl.	with parts 03,27,30,32,35,36,41,42,44,45

Subject to alteration !

Attention: Please take the gross price from the valid price list !

08a Hydraulic parts

TURBOMax pro 24 E, TURBOMax plus 824 E, TURBOMax pro 28 E, TURBOMax plus 828 E
 VUW 242-3, VUW 242-5, VUW 282-3, VUW 282-5



08a Hydraulic parts

TURBOMax pro 24 E, TURBOMax plus 824 E, TURBOMax pro 28 E, TURBOMax plus 828 E
 VUW 242-3, VUW 242-5, VUW 282-3, VUW 282-5

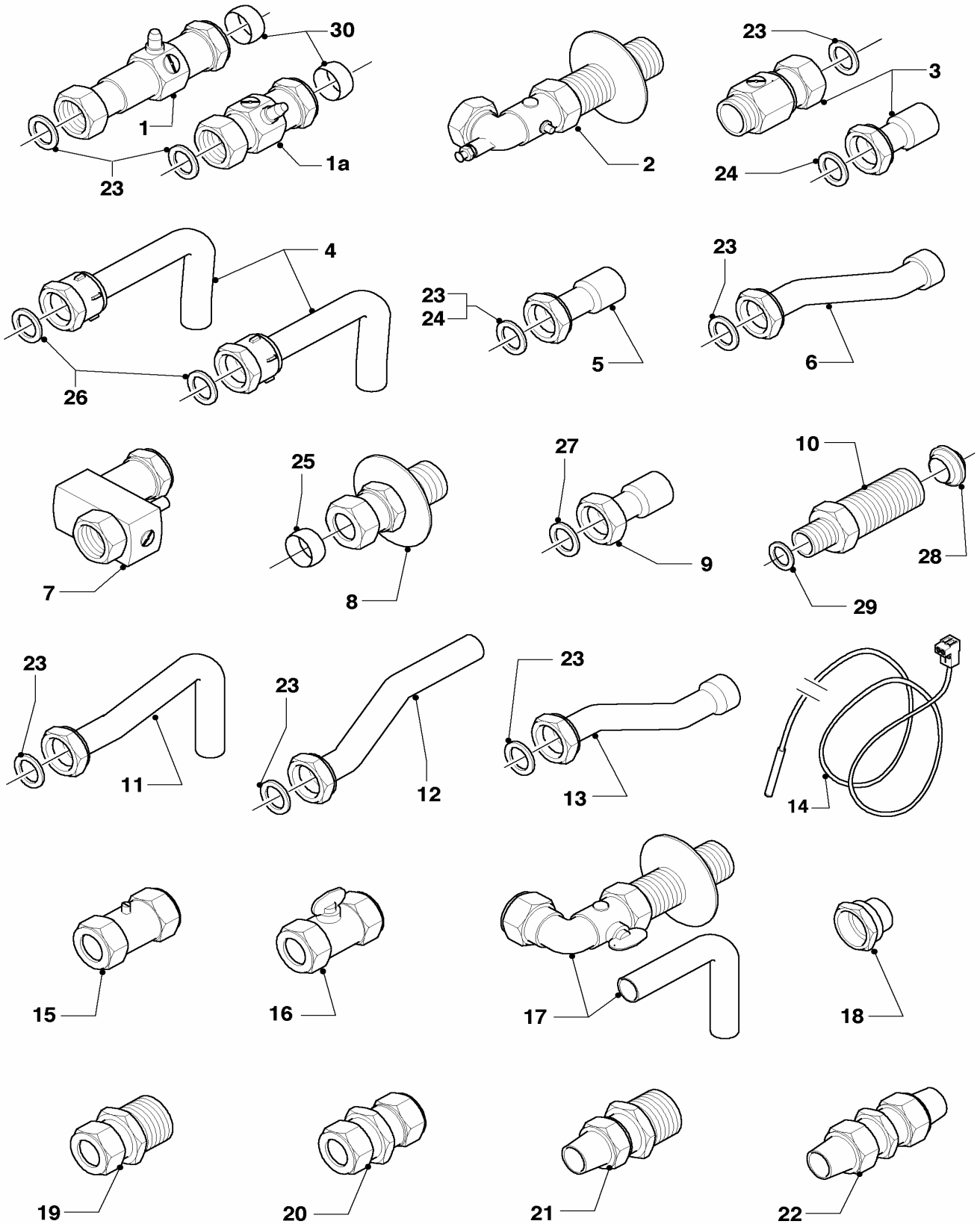
Pos.	Art.-No	Part	Type, note
		02-08-066	
26	101271	manometer	with parts 27,45
27	085751	pressure gauge clip	
28	019372	connecting tube, cpl.	with parts 36,40,41
29	181061	expansion vessel 6 ltr.	round
29	181057	expansion vessel 10 ltr.	square
30	208495	covering plate	VUW ...-3, with parts 35,39,42
31	074514	filter, cpl.	
31a	012975	water quantity limitator (8.1 l/min)	VUW 242-3, 242-5, 8.1 l/min
31a	012976	water quantity limitator (9.4 l/min)	VUW 282-3, 282-5, 9.4 l/min
32	118937	lens head screw	
33	154150	clip	
34	219621	spring clamp (set of 10)	
35	219622	spring clamp (set of 10)	
35a	154194	bow (set of 10)	for connection piece, plastic (black)
36	219623	spring clamp (set of 10)	
37	981142	packingring (set of 10)	
38	981146	packingring (set of 10)	
39	981140	packingring (set of 10)	
40	981149	packingring (set of 10)	
41	981165	packingring (set of 10)	
42	981163	packingring (set of 10)	
43	981154	packingring (set of 10)	
44	981151	packingring (set of 10)	
45	981155	packingring (set of 10)	
46	980765	grommet	

Subject to alteration !

Attention: Please take the gross price from the valid price list !

08b Connecting accessories

TURBOMax pro 24 E, TURBOMax plus 824 E, TURBOMax pro 28 E, TURBOMax plus 828 E
VUW 242-3, VUW 242-5, VUW 282-3, VUW 282-5



02 - 08 - 083.04

08b Connecting accessories

TURBOMax pro 24 E, TURBOMax plus 824 E, TURBOMax pro 28 E, TURBOMax plus 828 E
 VUW 242-3, VUW 242-5, VUW 282-3, VUW 282-5

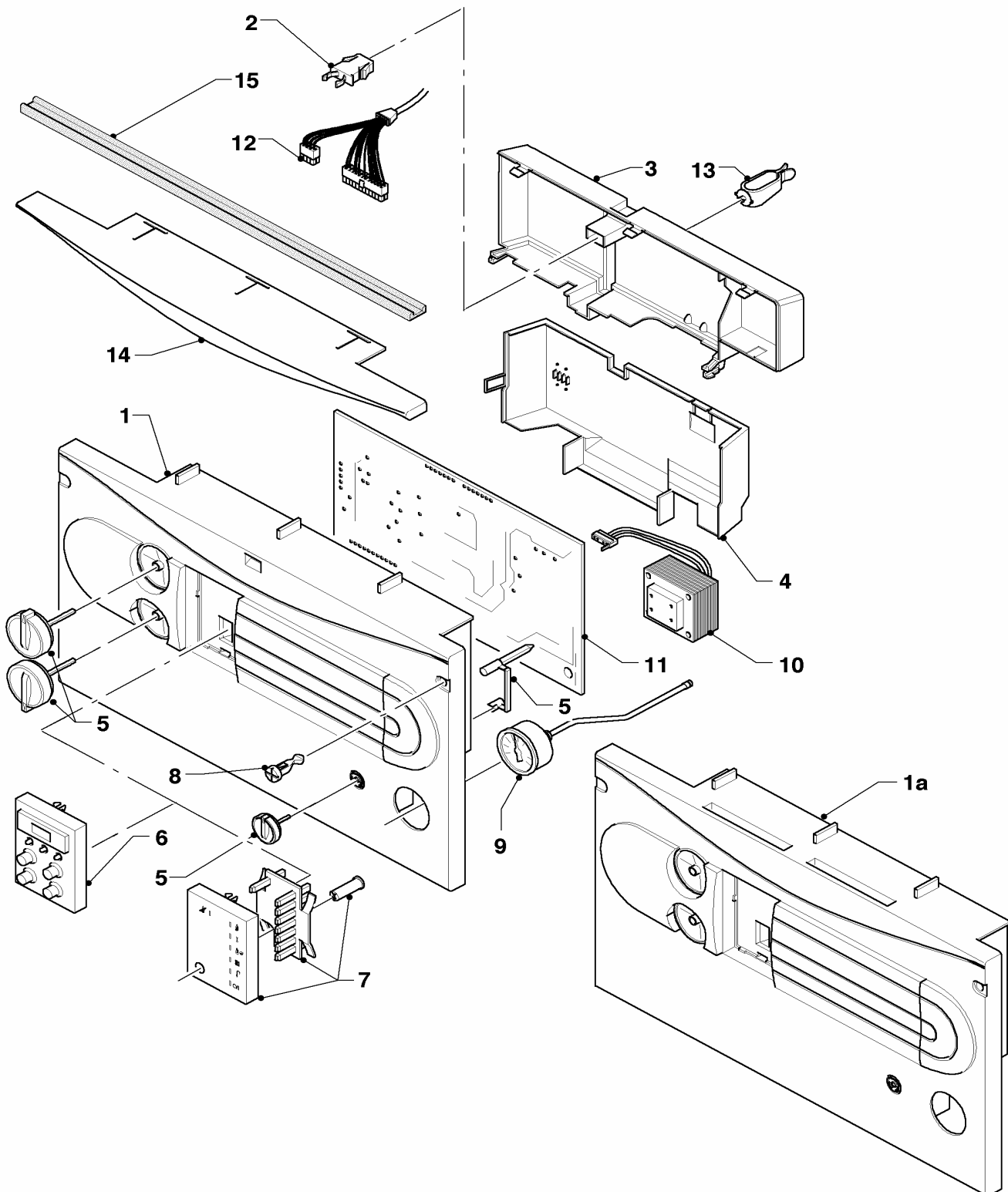
Pos.	Art.-No	Part	Type, note
		02-08-083	
01	-	-	replaced by 135752 (pos. 01a)
01a	135752	service cock, cpl. left + right	with parts 23,30, 3/4 x 22 (adapter to replace longer service cocks included)
02	-	-	not for GB
03	-	-	not for GB
04	-	-	not for GB
05	-	-	not for GB
06	-	-	not for GB
07	014714	valve, cpl.	3/4 x 15
08	-	-	not for GB
09	-	-	not for GB
10	022756	connection piece, cpl.	with parts 28,29, from accessory 306261
11	081447	connecting tube, cpl.	with part 23
12	-	-	not for GB
13	-	-	not for GB
14	253583	temperature sensitive element	
15	082782	gas shut-off valve, cpl.	15 x 15
16	-	-	not for GB
17	-	-	not for GB
18	-	-	not for GB
19	-	-	not for GB
20	-	-	not for GB
21	-	-	not for GB
22	-	-	not for GB
23	981152	packingring (set of 10)	17.0 x 24.0 x 1.5
24	-	-	not for GB
25	-	-	not for GB
26	-	-	not for GB
27	-	-	not for GB
28	-	-	not for GB
29	-	-	not for GB
30	980603	packingring	22.2 x 24.6 x 8.6

Subject to alteration !

Attention: Please take the gross price from the valid price list !

12 Control box

TURBOMax pro 24 E, TURBOMax plus 824 E, TURBOMax pro 28 E, TURBOMax plus 828 E
VUW 242-3, VUW 242-5, VUW 282-3, VUW 282-5



02 - 12 - 029.05

12 Control box

TURBOMax pro 24 E, TURBOMax plus 824 E, TURBOMax pro 28 E, TURBOMax plus 828 E
 VUW 242-3, VUW 242-5, VUW 282-3, VUW 282-5

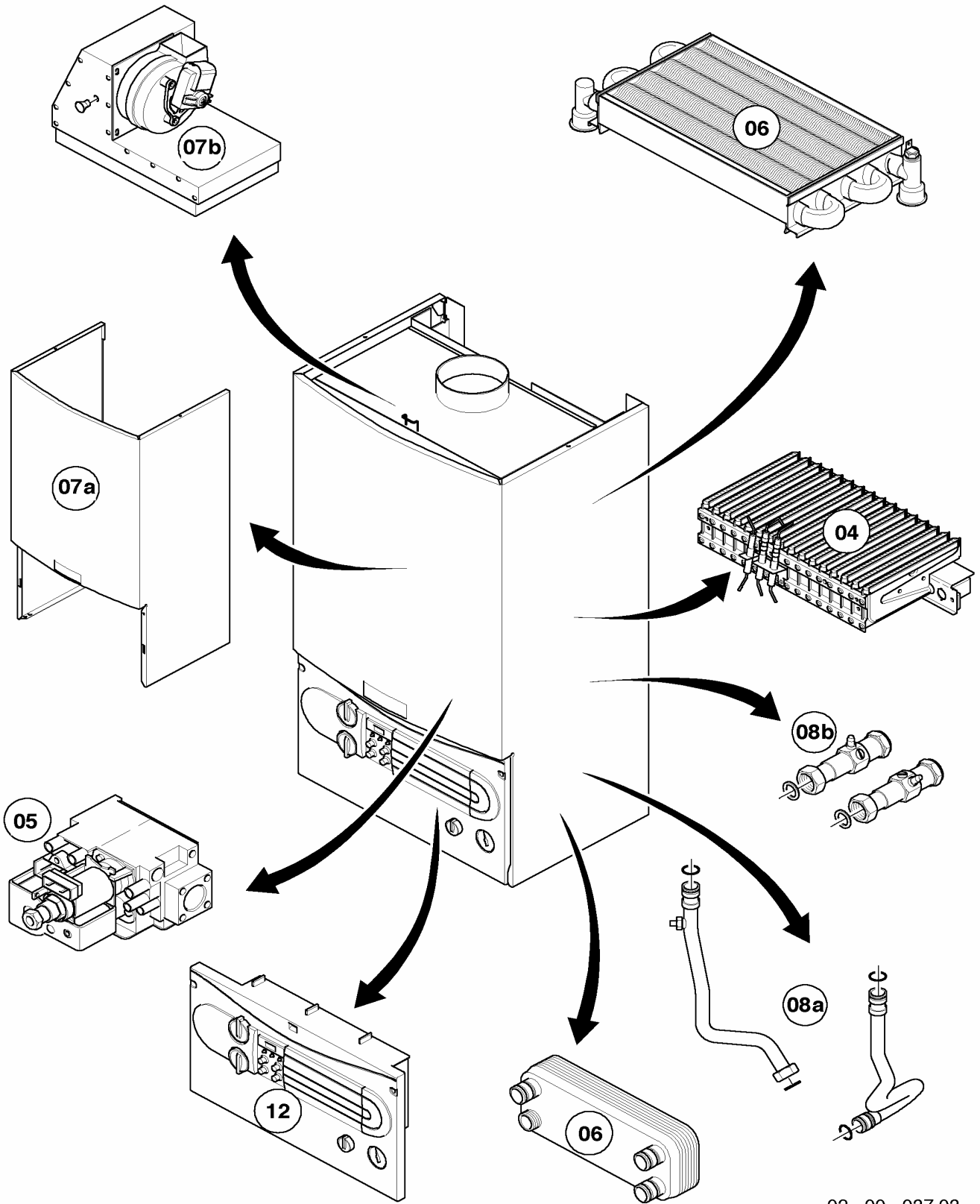
Pos.	Art.-No	Part	Type, note
		02-12-029	
00	251961	fuse 1.25 AT (set of 10)	not shown, 1.25 AT
00	251955	fuse 2.0 AT (set of 10)	not shown, 2.0 AT
01	-	-	replaced by pos.-no. 01a (if there is a control box cover, this must be replaced too!) no longer available
01a	136894	front cover (grey)	with part 05
02	088734	lock	
03	-	-	not available
04	136882	back panel	
05	114286	knob, cpl. green (3 knobs + lever)	green
05	114288	knobs, cpl. grey (3 knobs)	grey
06	130807	printed circuit with display (grey)	VUW ...-5
07	077978	cover, cpl. display (grey)	VUW ...-3
08	132925	securing fastener (set of 10)	
09	101271	manometer	
10	287450	transformer, cpl.	
11	130805	printed circuit, cpl.	VUW ...-3
11	130806	printed circuit, cpl.	VUW ...-5
12	256097	cable tree	
13	219629	clip (set of 5)	
14	-	-	VUW ...-3
15	-	-	not for GB

Subject to alteration !

Attention: Please take the gross price from the valid price list !

General view of sheet

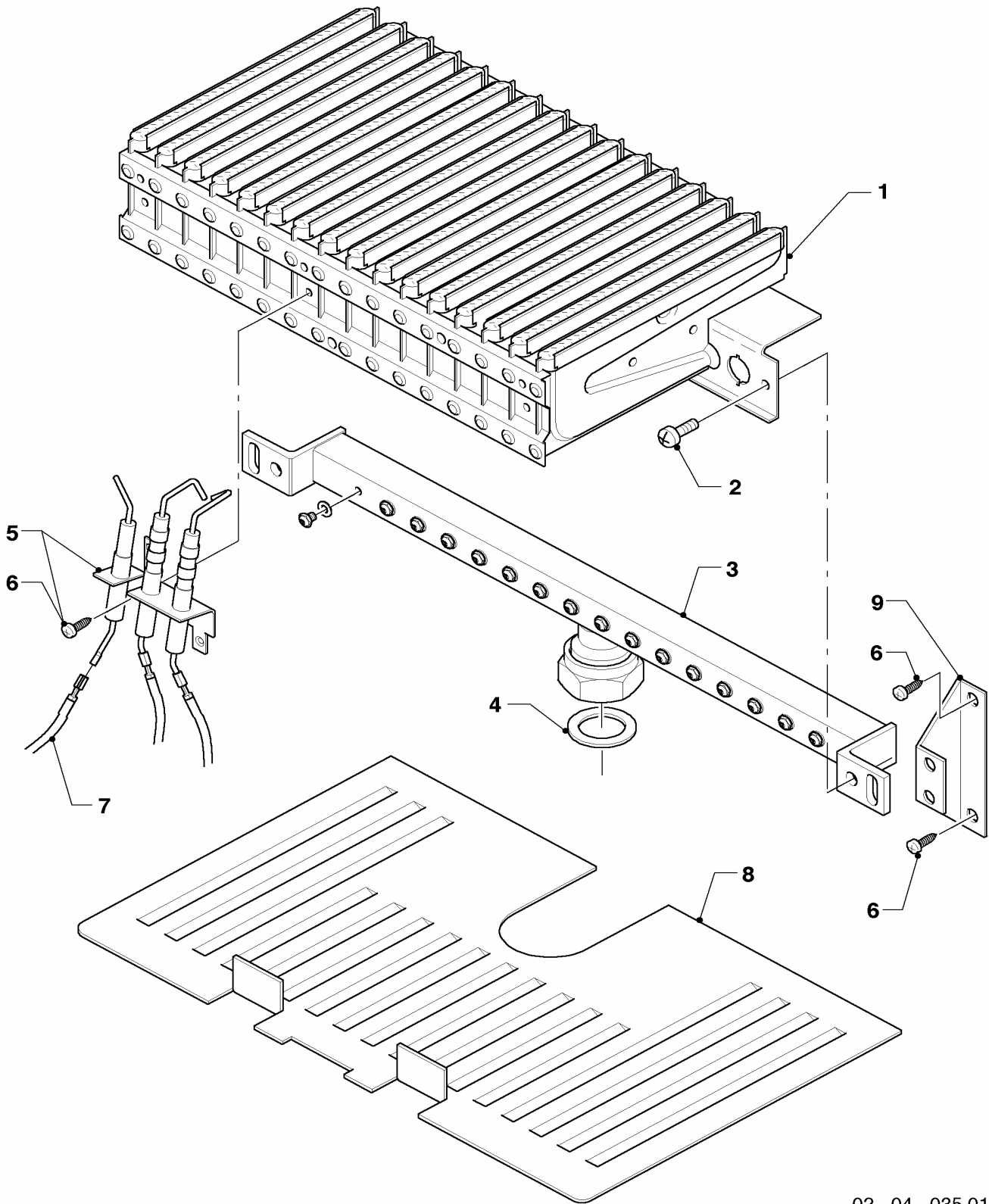
TURBOmax pro 24 E, TURBOmax plus 824 E, TURBOmax pro 28 E, TURBOmax plus 828 E
VUW 242/2-3, VUW 242/2-5, VUW 282/2-3, VUW 282/2-5



02 - 00 - 037.03

04 Burner

TURBOMax pro 24 E, TURBOMax plus 824 E, TURBOMax pro 28 E, TURBOMax plus 828 E
VUW 242/2-3, VUW 242/2-5, VUW 282/2-3, VUW 282/2-5



02 - 04 - 035.01

04 Burner

TURBOMax pro 24 E, TURBOMax plus 824 E, TURBOMax pro 28 E, TURBOMax plus 828 E
VUW 242/2-3, VUW 242/2-5, VUW 282/2-3, VUW 282/2-5

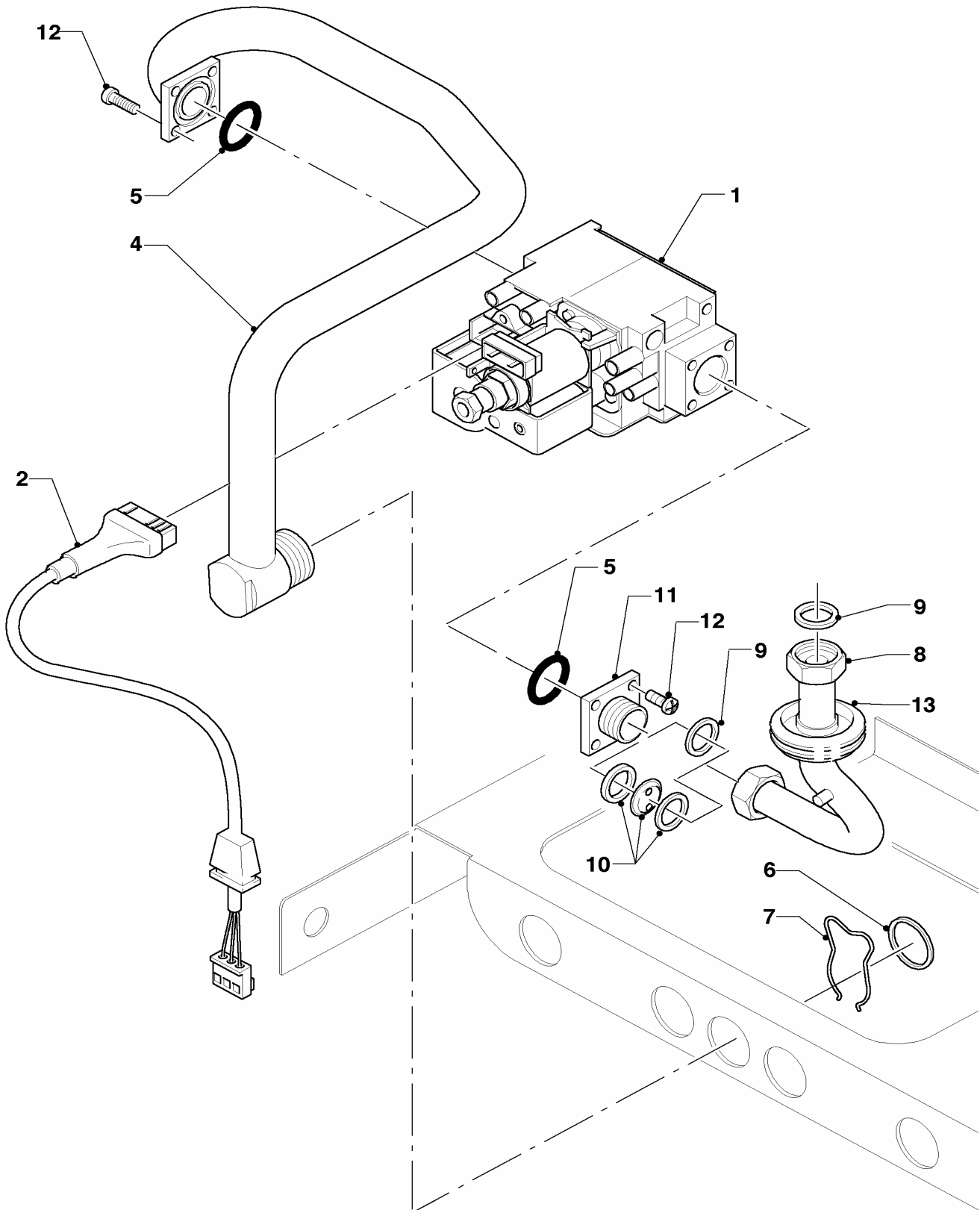
Pos.	Art.-No	Part	Type, note
		02-04-035	
01	031500	burner chamber group	VUW 242/2-3, 242/2-5, with part 02
01	031501	burner chamber group	VUW 282/2-3, 282/2-5, with part 02
02	118937	lens head screw	
03	126780	distributor tube,cpl. H	VUW 242/2-3, 242/2-5, H, with parts 02,04
03	126781	distributor tube,cpl. B	VUW 242/2-3, 242/2-5, B, with parts 02,04
03	126782	distributor tube,cpl. H	VUW 282/2-3, 282/2-5, H, with parts 02,04
03	126783	distributor tube,cpl. B	VUW 282/2-3, 282/2-5, B, with parts 02,04
04	981142	packingring (set of 10)	
05	090724	ignition + monitoring elektrode	with part 06
06	235715	screw ISO 7049	
07	256097	cable tree	
08	-	-	not for GB
09	098916	support (set of 2)	with parts 02,06

Subject to alteration !

Attention: Please take the gross price from the valid price list !

05 Gas section

TURBOmax pro 24 E, TURBOmax plus 824 E, TURBOmax pro 28 E, TURBOmax plus 828 E
VUW 242/2-3, VUW 242/2-5, VUW 282/2-3, VUW 282/2-5



02 - 05 - 011.02

05 Gas section

TURBOMax pro 24 E, TURBOMax plus 824 E, TURBOMax pro 28 E, TURBOMax plus 828 E
 VUW 242/2-3, VUW 242/2-5, VUW 282/2-3, VUW 282/2-5

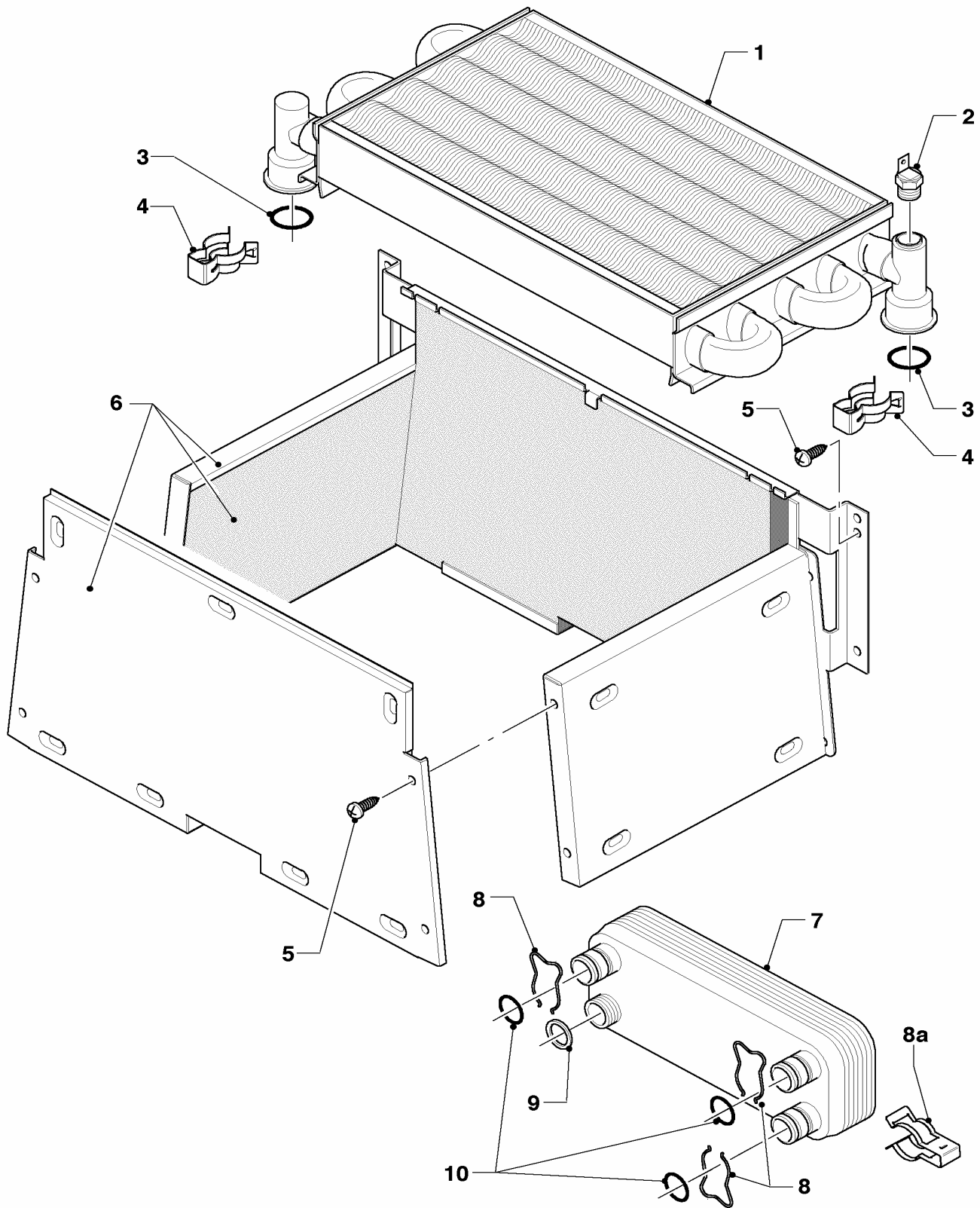
Pos.	Art.-No	Part	Type, note
		02-05-011	
00	201991	conversion set P/B (SIT+HW)	VUW ..., H, not shown
00	222369	conversion set H (SIT+HW)	VUW ..., B, not shown
01	053462	gas section, cpl. H	VUW ..., H (SIT), with parts 05,09,11,12
01	053473	gas section, cpl. H	VUW ..., H (Honeywell), with parts 05,09,11,12
01	053463	gas section, cpl. P/B	VUW ..., H (SIT), with parts 05,10,11,12
01	053499	gas section, cpl. P/B	VUW ..., H (Honeywell), with parts 05,10,11,12
02	090915	connection cable	SIT, for appliances without pressure sensor (see hydraulic parts 08a, pos. 4a)
02	114192	connection cable	SIT, for appliances with pressure sensor (see hydraulic parts 08a, pos. 4a)
02	090929	connection cable	Honeywell
04	123420	gas tube, cpl. VUW	with parts 05,06,07
05	982319	seal, o-ring	
06	981140	packingring (set of 10)	
07	219622	spring clamp (set of 10)	
08	123423	tube, cpl.	with parts 09,10
09	981142	packingring (set of 10)	
10	-	-	VUW ..., H, These appliances do not have a throttle jet.
10	049750	pre-nozzle (2 x 3.50)	VUW 242/2-3, 242/2-5, B
10	049752	pre-nozzle (2 x 4.00)	VUW 282/2-3, 282/2-5, B
11	147759	adaptor piece	with parts 05,09,10,12
12	105901	lens head screw M4x10 (pack of 10)	
13	980765	grommet	

Subject to alteration !

Attention: Please take the gross price from the valid price list !

06 Heat exchanger

TURBOMax pro 24 E, TURBOMax plus 824 E, TURBOMax pro 28 E, TURBOMax plus 828 E
VUW 242/2-3, VUW 242/2-5, VUW 282/2-3, VUW 282/2-5



02 - 06 - 026.02

06 Heat exchanger

TURBOMax pro 24 E, TURBOMax plus 824 E, TURBOMax pro 28 E, TURBOMax plus 828 E
 VUW 242/2-3, VUW 242/2-5, VUW 282/2-3, VUW 282/2-5

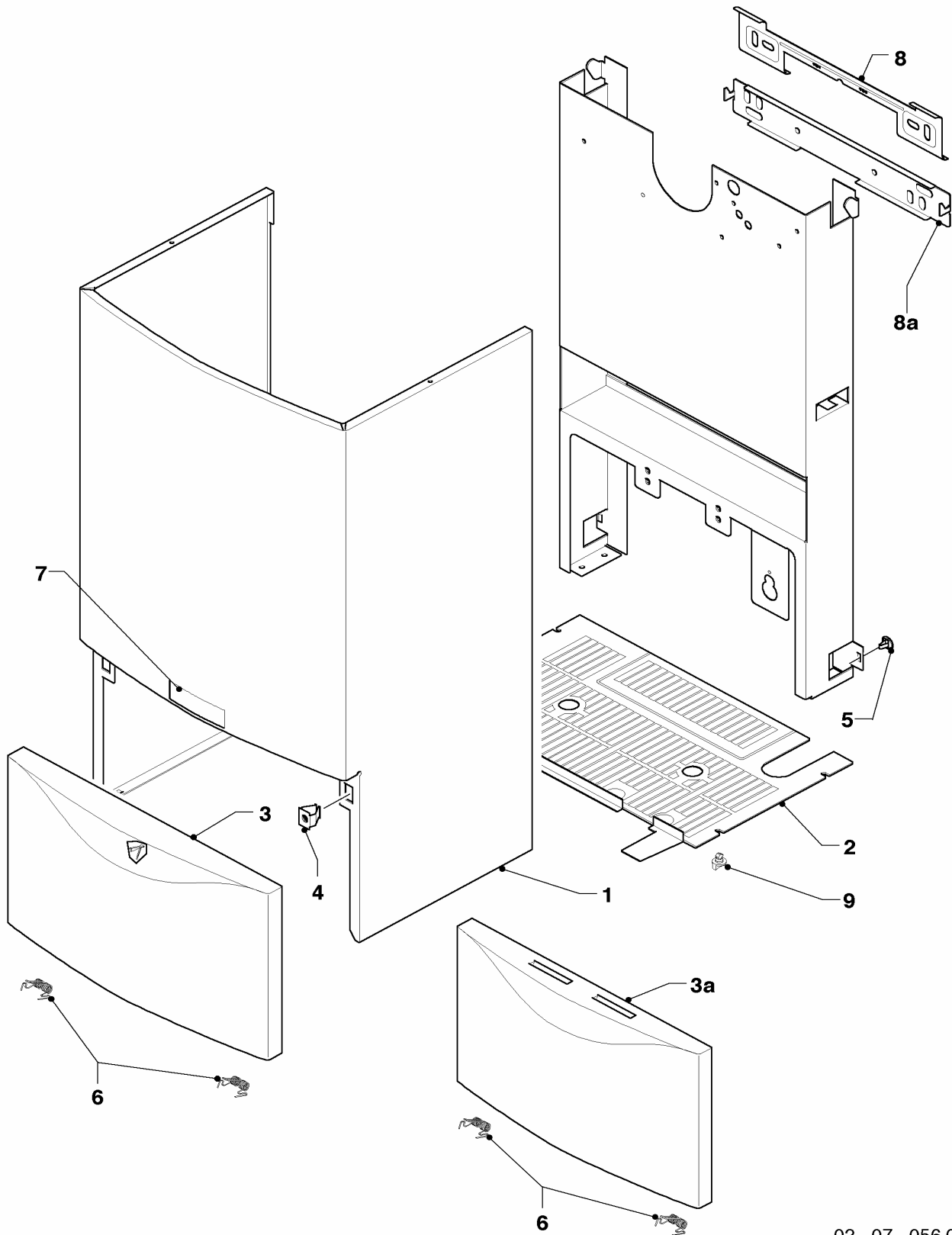
Pos.	Art.-No	Part	Type, note
		02-06-026	
01	064714	heat exchanger, cpl. 24kW	VUW 242/2-3, 242/2-5, incl. both tubes, with parts 03,04
01	104596	heat exchanger, cpl. 28kW	VUW 282/2-3, 282/2-5, incl. both tubes, with parts 03,04
02	252805	NTC-sensor	
03	981151	packingring (set of 10)	
04	219621	spring clamp (set of 10)	
05	235715	screw ISO 7049	
06	117546	combustion chamber, 24kW	VUW 242/2-3, 242/2-5, with part 05
06	117545	combustion chamber, 28-36kW	VUW 282/2-3, 282/2-5, with part 05
07	065131	secondary heat exchanger, 12 plates	with parts 08,09,10
08	219622	spring clamp (set of 10)	
08a	-	-	not for these appliances
09	981142	packingring (set of 10)	
10	981163	packingring (set of 10)	

Subject to alteration !

Attention: Please take the gross price from the valid price list !

07a Casing parts

TURBOMax pro 24 E, TURBOMax plus 824 E, TURBOMax pro 28 E, TURBOMax plus 828 E
VUW 242/2-3, VUW 242/2-5, VUW 282/2-3, VUW 282/2-5



02 - 07 - 056.04

07a Casing parts

TURBOMax pro 24 E, TURBOMax plus 824 E, TURBOMax pro 28 E, TURBOMax plus 828 E
VUW 242/2-3, VUW 242/2-5, VUW 282/2-3, VUW 282/2-5

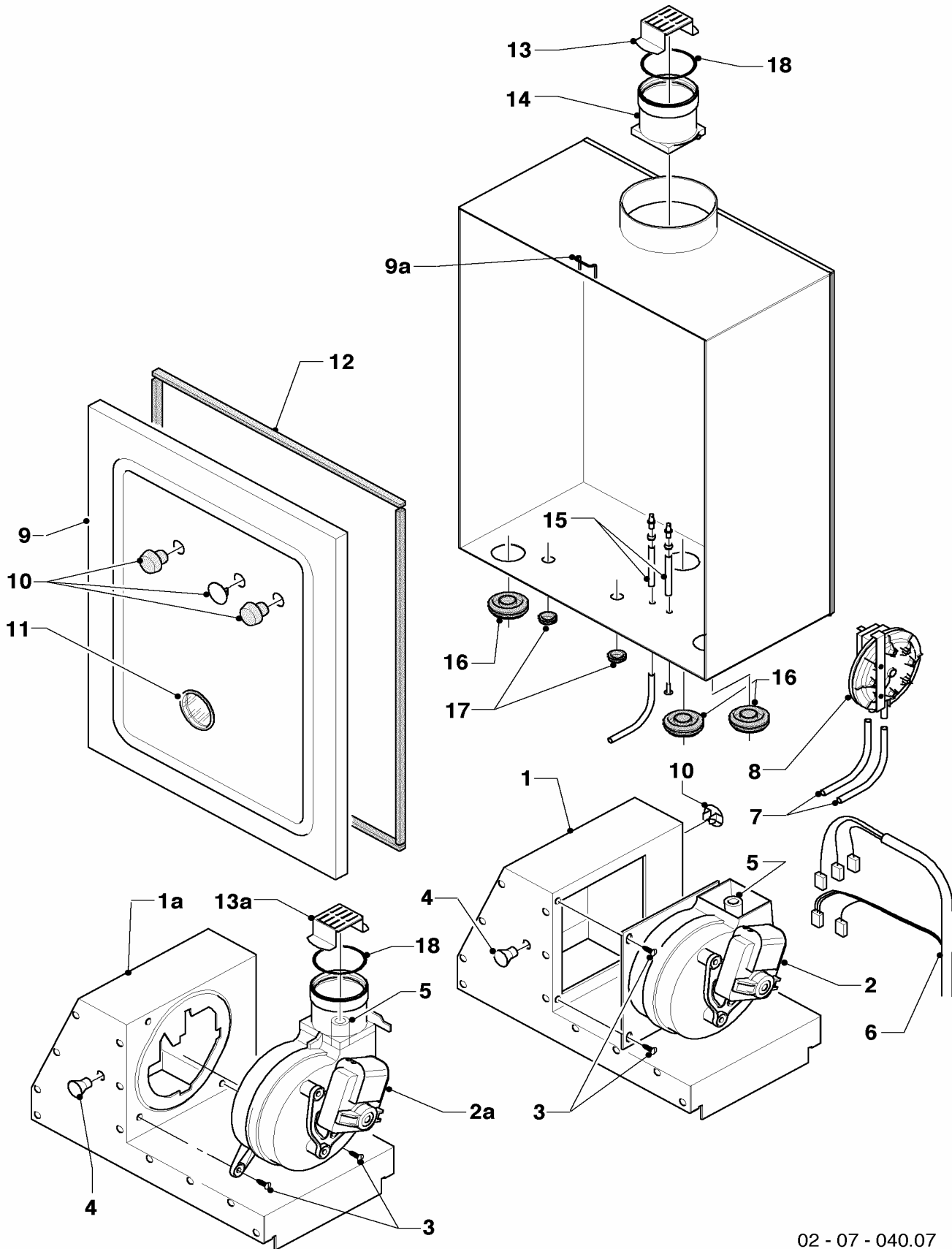
Pos.	Art.-No	Part	Type, note
		02-07-056	
01	067314	case cpl.	with parts 04,05,07
02	079533	covering grid plate	
03	209714	cover, casing	until 09/02
03	078954	cover, casing (sheet metal)	with part 06, until 09/02
03a	078978	cover, casing	from 09/02
03a	078345	cover, casing (sheet metal)	with part 06, from 09/02
04	219620	clip (pack of 10)	
05	219619	clip (pack of 10)	
06	188742	spring (pack of 2)	
07	118096	badge, cpl.	
08	098919	hanging bracket	until 09/02
08a	091417	hanging bracket (assembly kit)	from 09/02
09	290811	clip (pack of 4)	

Subject to alteration !

Attention: Please take the gross price from the valid price list !

07b Air pressure chamber, fan

TURBOmax pro 24 E, TURBOmax plus 824 E, TURBOmax pro 28 E, TURBOmax plus 828 E
VUW 242/2-3, VUW 242/2-5, VUW 282/2-3, VUW 282/2-5



02 - 07 - 040.07

07b Air pressure chamber, fan

TURBOMax pro 24 E, TURBOMax plus 824 E, TURBOMax pro 28 E, TURBOMax plus 828 E
 VUW 242/2-3, VUW 242/2-5, VUW 282/2-3, VUW 282/2-5

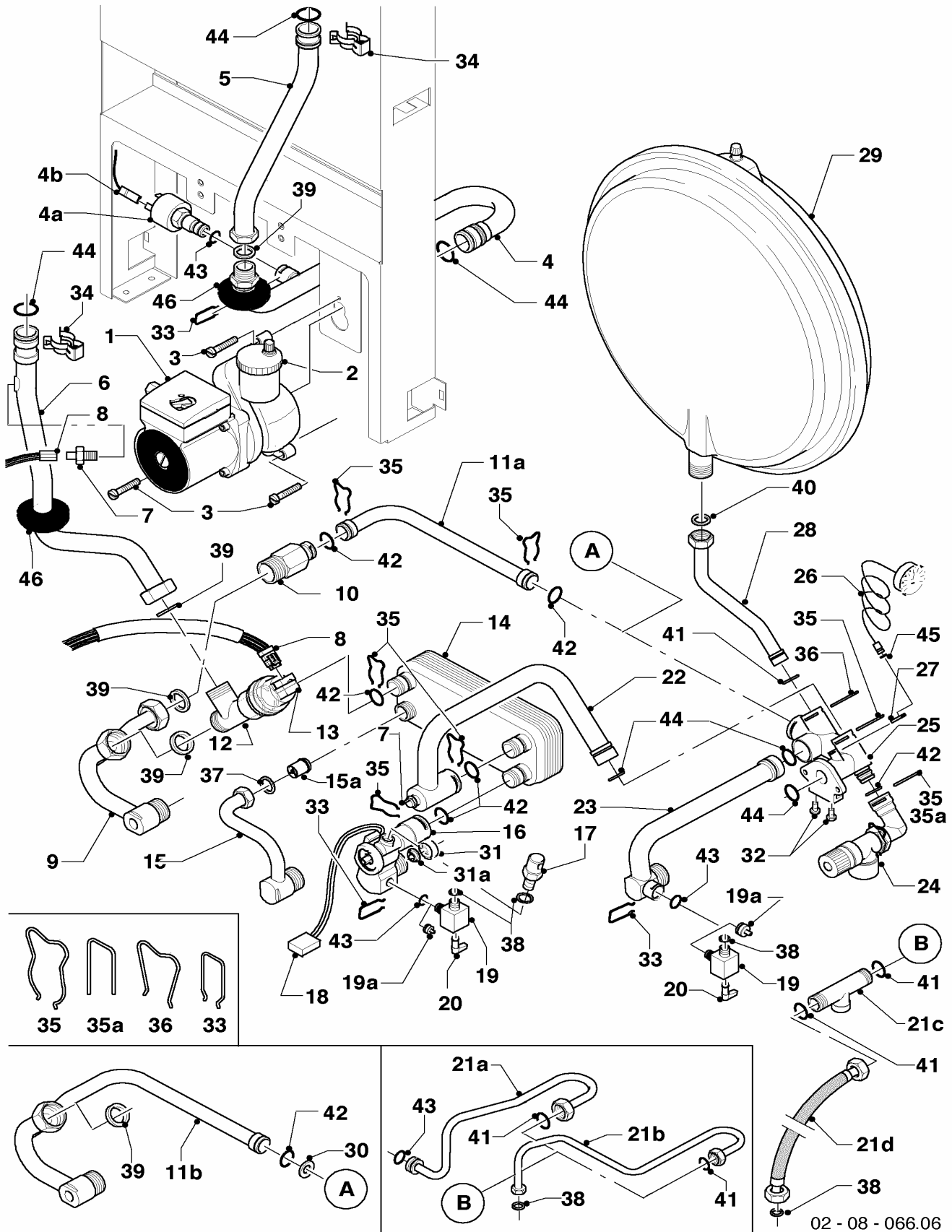
Pos.	Art.-No	Part	Type, note
		02-07-040	
01	077793	flue collector cap	VUW 242/2-3, 242/2-5, with parts 04,10
01	077794	flue collector cap	VUW 282/2-3, 282/2-5, with parts 04,10
01a	-	-	not for these appliances
02	190215	fan	with parts 03,05
02a	-	-	not for these appliances
03	235715	screw ISO 7049	
04	210981	rubber funnel	
05	094282	pitot tube, cpl.	MVL + FIME
06	256097	cable tree	
07	084139	hose, cpl.	
08	0020018138	fan proving switch	with part 07
09	078910	combustion chamber cover, cpl.	with parts 10,11,12
09a	0020029605	clip (pack of 10)	
10	139472	plug (set)	
11	-	-	for replacement see pos. 09 (cover underpressure chamber, cpl.) no longer available
12	981048	seal, cpl.	
13	194166	reducing ring F/F0/F1/F2	
13a	-	-	not for these appliances
14	083384	sleeve, cpl.	with part 18
15	133627	test nipple, cpl.	
16	980765	grommet	
17	980766	seal	
18	981178	packingring	

Subject to alteration !

Attention: Please take the gross price from the valid price list !

08a Hydraulic parts

TURBOMax pro 24 E, TURBOMax plus 824 E, TURBOMax pro 28 E, TURBOMax plus 828 E
 VUW 242/2-3, VUW 242/2-5, VUW 282/2-3, VUW 282/2-5



08a Hydraulic parts

TURBOMax pro 24 E, TURBOMax plus 824 E, TURBOMax pro 28 E, TURBOMax plus 828 E
 VUW 242/2-3, VUW 242/2-5, VUW 282/2-3, VUW 282/2-5

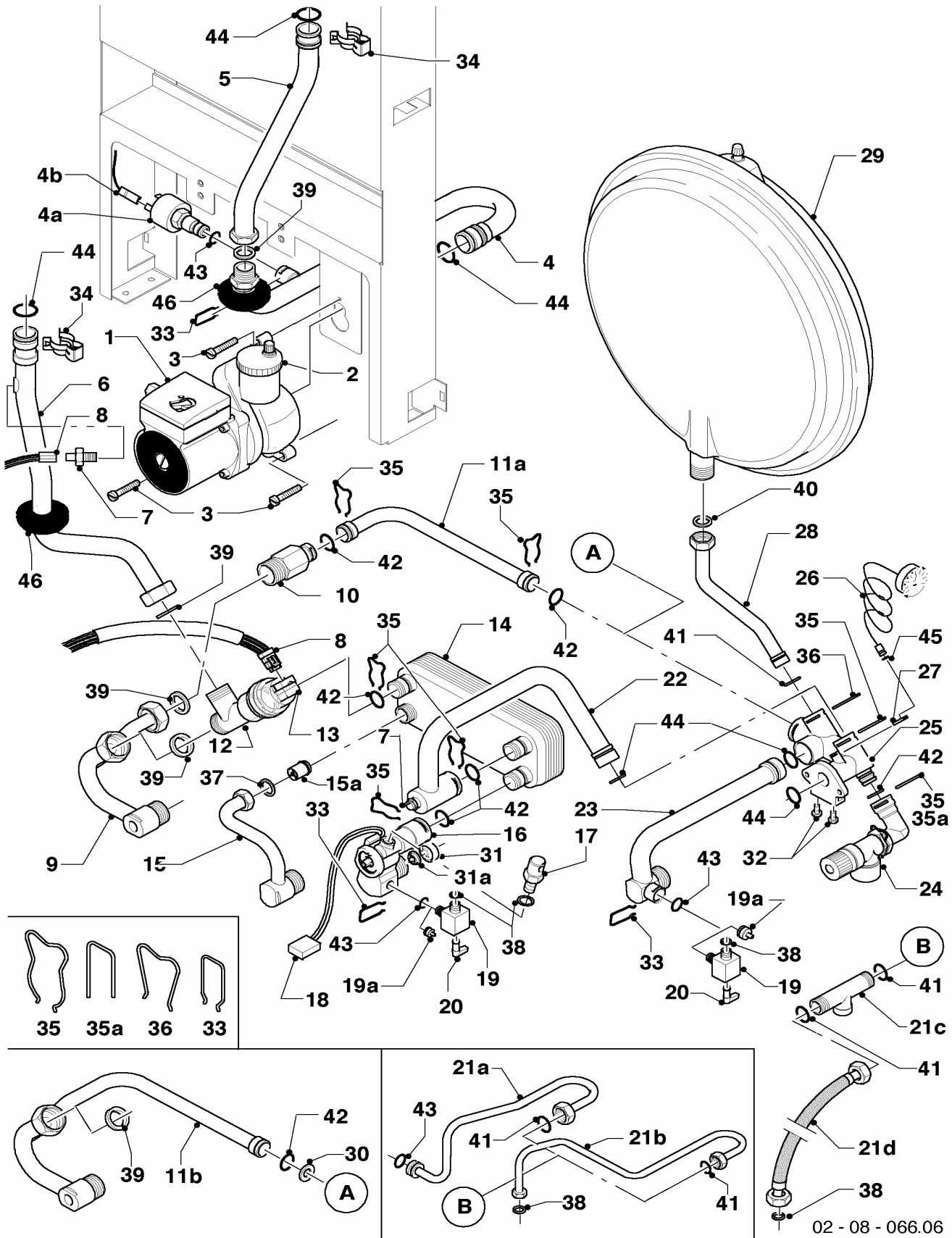
Pos.	Art.-No	Part	Type, note
		02-08-066	
01	160928	pump, VP5 Grundfos	with parts 03,44
02	061707	automatic de-aerator	
03	118951	lens head screw	
04	019383	connecting tube, cpl.	with parts 39,44,46 for appliances without pressure sensor (see pos. 4a)
04	114193	connecting tube, cpl.	with parts 33,39,43,44,46 for appliances with pressure sensor (see pos. 4a)
04a	712087	pressure sensor	with parts 33,43
04b	114192	connection cable	only for appliances with pressure sensor (pos. 4a)
05	019379	connecting tube, cpl.	VUW 242/2-3, 242/2-5, with parts 34,39,44, only for heat exchanger with its own NTC-sensor!
05	023222	connecting tube, cpl. with NTC-sensor	VUW 242/2-3, 242/2-5, with parts 34,39,44, only for heat exchanger without its own NTC-sensor!
05	019381	connecting tube, cpl.	VUW 282/2-3, 282/2-5, with parts 34,39,44, only for heat exchanger with its own NTC-sensor!
05	104597	connecting tube, cpl. with NTC-sensor	VUW 282/2-3, 282/2-5, with parts 34,39,44, only for heat exchanger without its own NTC-sensor!
06	022777	connecting tube, cpl.	VUW 242/2-3, 242/2-5, with parts 34,39,44,46, only for heat exchanger with its own NTC-sensor!
06	023223	connecting tube, cpl.	VUW 242/2-3, 242/2-5, with parts 34,39,44,46, only for heat exchanger without its own NTC-sensor!
06	022778	connecting tube, cpl.	VUW 282/2-3, 282/2-5, with parts 34,39,44,46, only for heat exchanger with its own NTC-sensor!
06	104602	connecting tube, cpl.	VUW 282/2-3, 282/2-5, with parts 34,39,44,46, only for heat exchanger without its own NTC-sensor!
07	252805	NTC-sensor	
08	256097	cable tree	
09	022784	connecting tube, cpl.	VUW ...-5, with parts 35,39
10	150240	automatic bypass valve, cpl. 2.5m	VUW ...-5, with parts 35,39,42, 2.5m
10	150242	automatic bypass valve, cpl. 1.7m	VUW ...-5, with parts 35,39,42, 1.7m
10	150243	automatic bypass valve, cpl. 3.5m	VUW ...-5, with parts 35,39,42, 3.5m
11a	019390	connecting tube, cpl.	VUW ...-5, with parts 35,42
11b	022783	connecting tube, cpl.	VUW ...-3, with parts 30,35,39,42
12	252457	diverter valve	with parts 35,39,42
13	140429	diverter valve actuator	
14	065131	secondary heat exchanger, 12 plates	with parts 35,37,42
15	022776	warm water connection tube, cpl.	with parts 35,37
15a	014737	non-return valve	
16	194819	aqua-sensor, cpl.	with parts 31,33,35,42,43
16	0020029604	impeller from aqua sensor	not shown
17	014692	overpressure valve	VUW ...-5, with part 38
18	711933	sensor	
19	014675	filling valve without non-return valve	VUW ...-5, with parts 20,33,38,43
19a	139471	plug (compl.)	with part 43
20	125151	handle for drain cock	
21a	019376	connection tube, cpl. fill-in device	VUW ...-5, with parts 41,43, with 1 filling valve
21b	092005	connection tube, cpl. fill-in device	VUW ...-5, with parts 41,43, with 2 filling valves
21c	014676	non-return valve, cpl.	VUW ...-5, with part 41
21d	095610	flexible metal hose	VUW ...-5, with parts 38,41
22	022782	connecting tube, cpl.	with parts 35,42,44
23	019377	connecting tube, cpl.	with parts 19a,33,35,43,44
24	190732	pressure relief valve	with parts 35,42
25	019392	connecting piece, cpl.	with parts 03,27,30,32,35,36,41,42,44,45

Subject to alteration !

Attention: Please take the gross price from the valid price list !

08a Hydraulic parts

TURBOMax pro 24 E, TURBOMax plus 824 E, TURBOMax pro 28 E, TURBOMax plus 828 E
 VUW 242/2-3, VUW 242/2-5, VUW 282/2-3, VUW 282/2-5



08a Hydraulic parts

TURBOMax pro 24 E, TURBOMax plus 824 E, TURBOMax pro 28 E, TURBOMax plus 828 E
 VUW 242/2-3, VUW 242/2-5, VUW 282/2-3, VUW 282/2-5

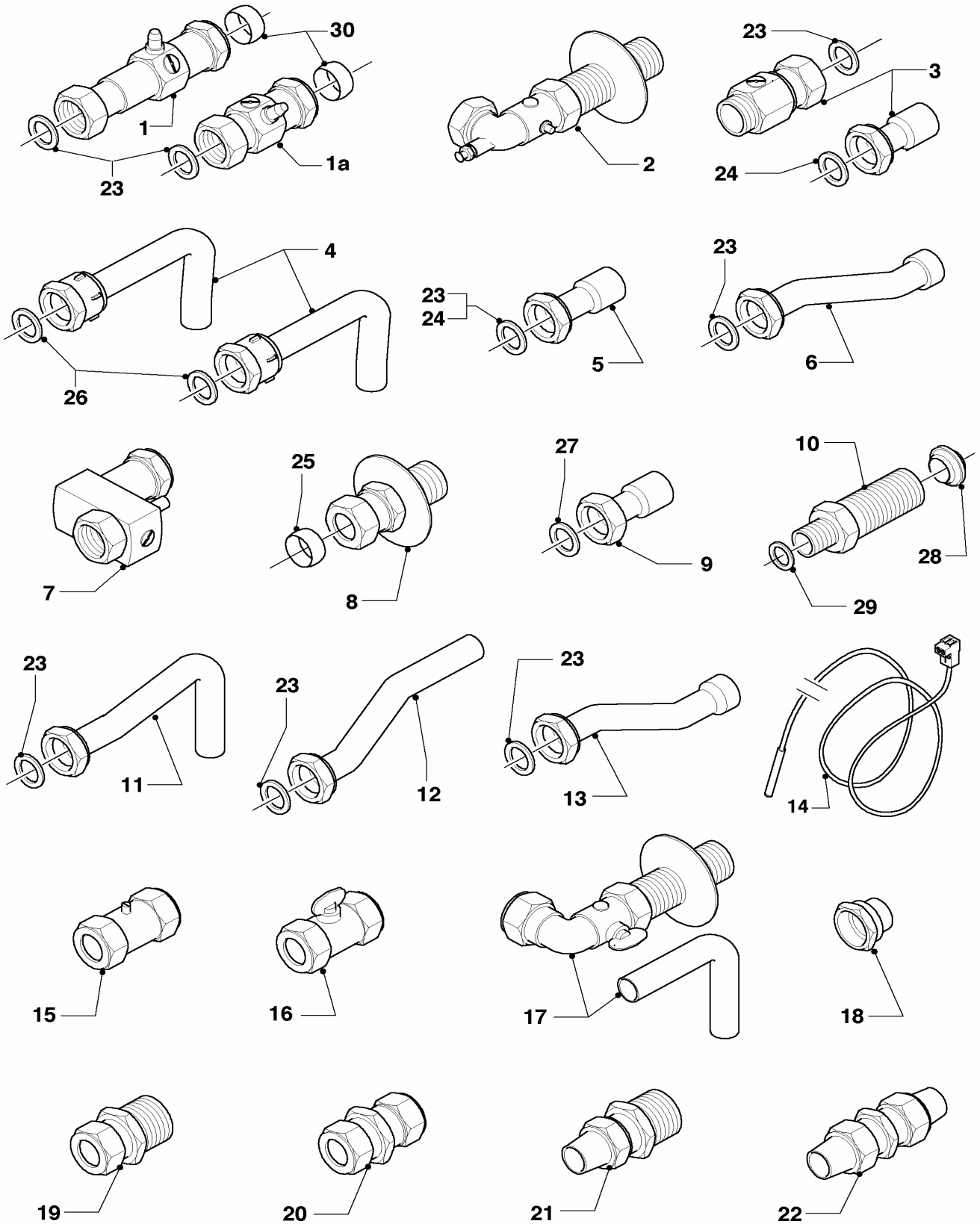
Pos.	Art.-No	Part	Type, note
		02-08-066	
26	101271	manometer	with parts 27,45
27	085751	pressure gauge clip	
28	019372	connecting tube, cpl.	with parts 36,40,41
29	181061	expansion vessel 6 ltr.	round
29	181057	expansion vessel 10 ltr.	square
30	208495	covering plate	VUW ...-3, with parts 35,39,42
31	074514	filter, cpl.	
31a	012975	water quantity limitator (8.1 l/min)	VUW 242/2-3, 242/2-5, 8.1 l/min
31a	012976	water quantity limitator (9.4 l/min)	VUW 282/2-3, 282/2-5, 9.4 l/min
32	118937	lens head screw	
33	154150	clip	
34	219621	spring clamp (set of 10)	
35	219622	spring clamp (set of 10)	
35a	154194	bow (set of 10)	for connection piece, plastic (black)
36	219623	spring clamp (set of 10)	
37	981142	packingring (set of 10)	
38	981146	packingring (set of 10)	
39	981140	packingring (set of 10)	
40	981149	packingring (set of 10)	
41	981165	packingring (set of 10)	
42	981163	packingring (set of 10)	
43	981154	packingring (set of 10)	
44	981151	packingring (set of 10)	
45	981155	packingring (set of 10)	
46	980765	grommet	

Subject to alteration !

Attention: Please take the gross price from the valid price list !

08b Connecting accessories

TURBOmax pro 24 E, TURBOmax plus 824 E, TURBOmax pro 28 E, TURBOmax plus 828 E
VUW 242/2-3, VUW 242/2-5, VUW 282/2-3, VUW 282/2-5



02 - 08 - 083.04

08b Connecting accessories

TURBOMax pro 24 E, TURBOMax plus 824 E, TURBOMax pro 28 E, TURBOMax plus 828 E
 VUW 242/2-3, VUW 242/2-5, VUW 282/2-3, VUW 282/2-5

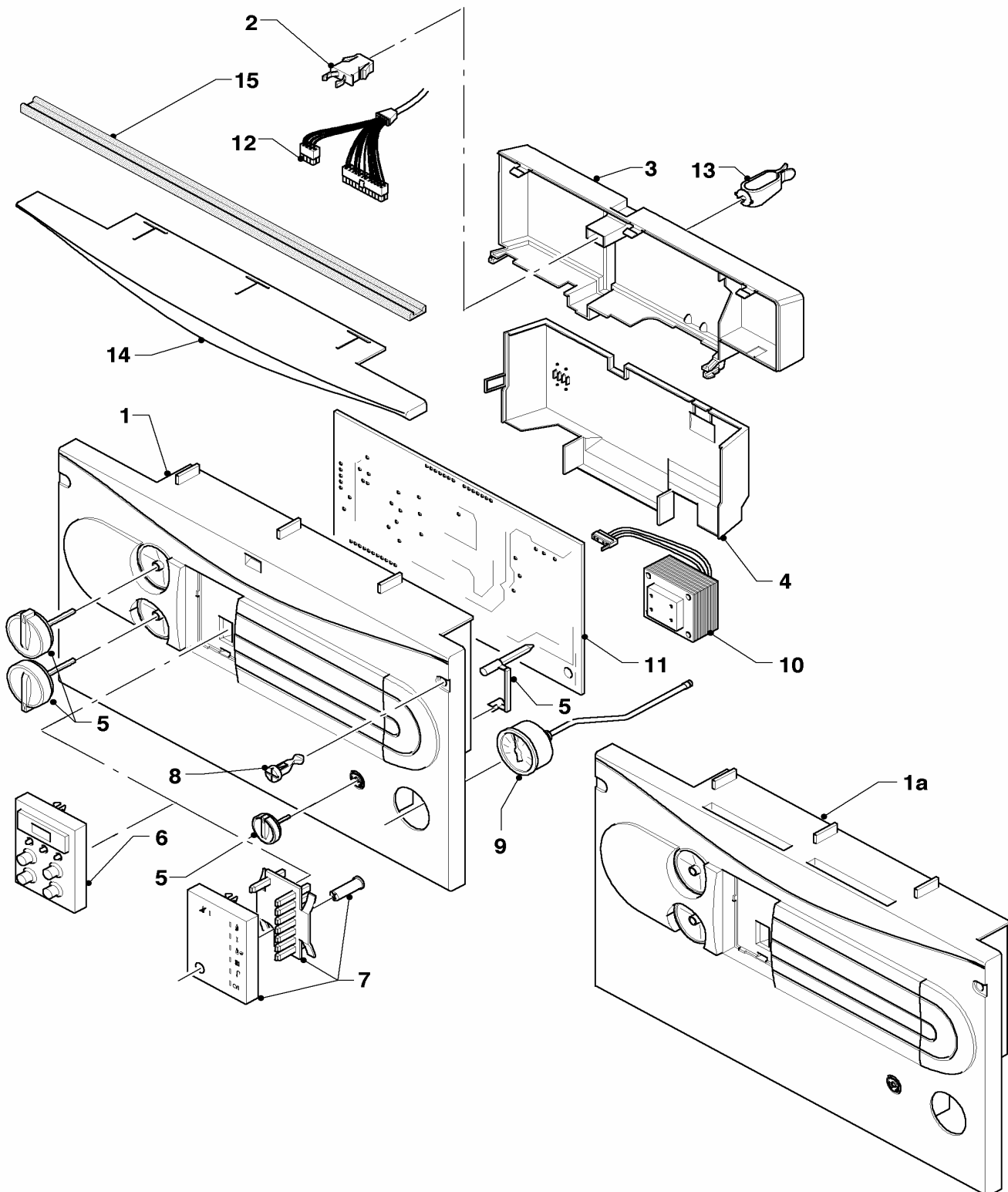
Pos.	Art.-No	Part	Type, note
		02-08-083	
01	-	-	replaced by 135752 (pos. 01a)
01a	135752	service cock, cpl. left + right	with parts 23,30, 3/4 x 22 (adapter to replace longer service cocks included)
02	-	-	not for GB
03	-	-	not for GB
04	-	-	not for GB
05	-	-	not for GB
06	-	-	not for GB
07	014714	valve, cpl.	3/4 x 15
08	-	-	not for GB
09	-	-	not for GB
10	022756	connection piece, cpl.	with parts 28,29, from accessory 306261
11	081447	connecting tube, cpl.	with part 23
12	-	-	not for GB
13	-	-	not for GB
14	253583	temperature sensitive element	
15	082782	gas shut-off valve, cpl.	15 x 15
16	-	-	not for GB
17	-	-	not for GB
18	-	-	not for GB
19	-	-	not for GB
20	-	-	not for GB
21	-	-	not for GB
22	-	-	not for GB
23	981152	packingring (set of 10)	17.0 x 24.0 x 1.5
24	-	-	not for GB
25	-	-	not for GB
26	-	-	not for GB
27	-	-	not for GB
28	-	-	not for GB
29	-	-	not for GB
30	980603	packingring	22.2 x 24.6 x 8.6

Subject to alteration !

Attention: Please take the gross price from the valid price list !

12 Control box

TURBOmax pro 24 E, TURBOmax plus 824 E, TURBOmax pro 28 E, TURBOmax plus 828 E
VUW 242/2-3, VUW 242/2-5, VUW 282/2-3, VUW 282/2-5



02 - 12 - 029.05

12 Control box

TURBOMax pro 24 E, TURBOMax plus 824 E, TURBOMax pro 28 E, TURBOMax plus 828 E
 VUW 242/2-3, VUW 242/2-5, VUW 282/2-3, VUW 282/2-5

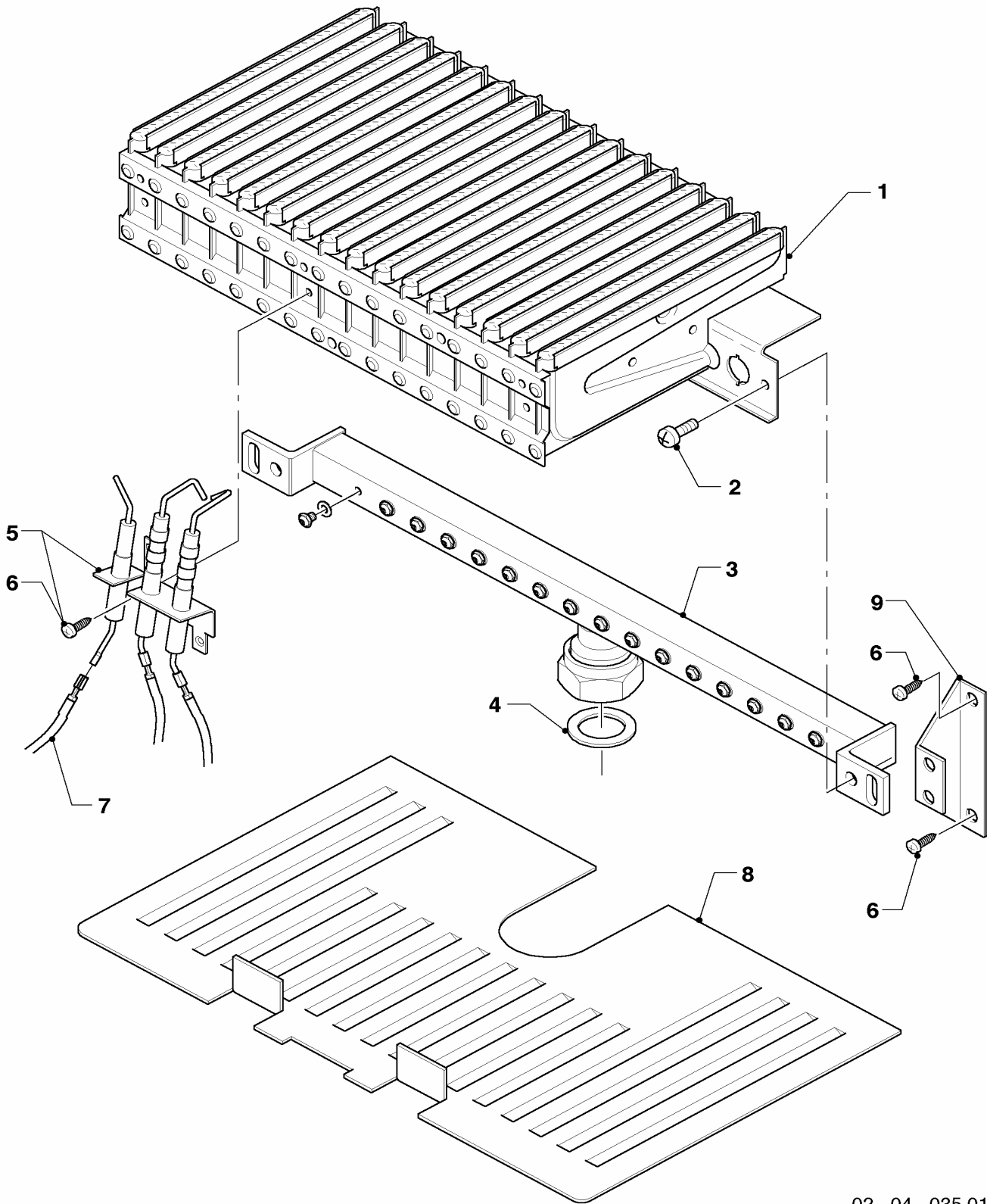
Pos.	Art.-No	Part	Type, note
		02-12-029	
00	251961	fuse 1.25 AT (set of 10)	not shown, 1.25 AT
00	251955	fuse 2.0 AT (set of 10)	not shown, 2.0 AT
01	-	-	replaced by pos.-no. 01a (if there is a control box cover, this must be replaced too!) no longer available
01a	136894	front cover (grey)	with part 05
02	088734	lock	
03	-	-	not available
04	136882	back panel	
05	114286	knob, cpl. green (3 knobs + lever)	green
05	114288	knobs, cpl. grey (3 knobs)	grey
06	130807	printed circuit with display (grey)	VUW ...-5
07	077978	cover, cpl. display (grey)	VUW ...-3
08	132925	securing fastener (set of 10)	
09	101271	manometer	
10	287450	transformer, cpl.	
11	130805	printed circuit, cpl.	VUW ...-3
11	130806	printed circuit, cpl.	VUW ...-5
12	256097	cable tree	
13	219629	clip (set of 5)	
14	077958	covering plate	VUW ...-3
15	-	-	not for GB

Subject to alteration !

Attention: Please take the gross price from the valid price list !

04 Burner

VUW 242/2-3 R1, VUW 242/2-3 R2, VUW 242/2-3 R3, VUW 242/2-5 R1, VUW 242/2-5 R2, VUW 242/2-5 R3,
VUW 282/2-3 R1, VUW 282/2-3 R2, VUW 282/2-3 R3, VUW 282/2-5 R1, VUW 282/2-5 R2, VUW 282/2-5 R3,
VUW 362/2-5, VUW 362/2-5 R3,



02 - 04 - 035.01

04 Burner

VUW 242/2-3 R1, VUW 242/2-3 R2, VUW 242/2-3 R3, VUW 242/2-5 R1, VUW 242/2-5 R2, VUW 242/2-5 R3,
 VUW 282/2-3 R1, VUW 282/2-3 R2, VUW 282/2-3 R3, VUW 282/2-5 R1, VUW 282/2-5 R2, VUW 282/2-5 R3,
 VUW 362/2-5, VUW 362/2-5 R3,

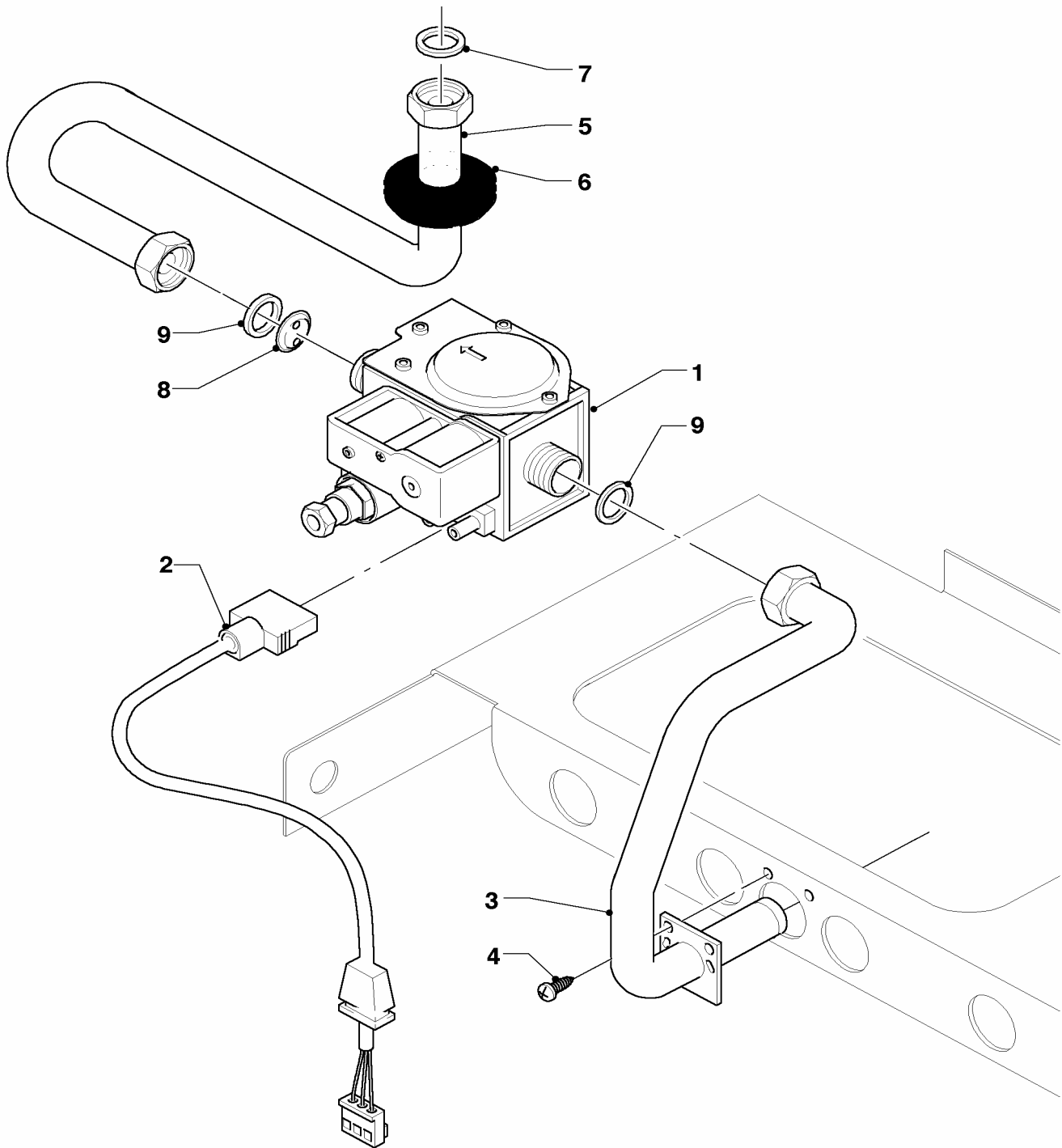
Pos.	Art.-No	Part	Type, note
		02-04-035	
00	0020016403	injector burner 2.3mm (500 p.)	only for channel islands Guernsey and Jersey (not shown)
01	031500	burner chamber group	VUW 242/2-3, 242/2-5 R1,R2,R3, with part 02
01	031501	burner chamber group	VUW 282/2-3, 282/2-5 R1,R2,R3, with part 02
01	031532	burner chamber group	VUW 362/2-5, 362/2-5 R3, with part 02
02	118937	lens head screw	
03	126780	distributor tube,cpl. H	VUW 242/2-3, 242/2-5 R1,R2,R3, H, with parts 02,04
03	126781	distributor tube,cpl. B	VUW 242/2-3, 242/2-5 R1,R2,R3, B, with parts 02,04
03	126782	distributor tube,cpl. H	VUW 282/2-3, 282/2-5 R1,R2,R3, H, with parts 02,04
03	126783	distributor tube,cpl. B	VUW 282/2-3, 282/2-5 R1,R2,R3, B, with parts 02,04
03	126795	distributor tube,cpl. H	VUW 362/2-5 H, 362/2-5 R3, H, with parts 02,04
03	126796	distributor tube,cpl. B	VUW 362/2-5 B, 362/2-5 R3, B, with parts 02,04
04	981142	packingring (set of 10)	
05	090724	ignition + monitoring elektrode	VUW 242,282/2-3,-5 R1,R2,R3, with part 06
05	090751	ignition + monitoring elektrode	VUW 362/2-5, 362/2-5 R3, with part 06
06	235715	screw ISO 7049	
07	256097	cable tree	VUW 242,282/2-3,-5 R1,R2,R3
07	256279	cable tree	VUW 362/2-5, 362/2-5 R3
08	-	-	not for GB
09	098916	support (set of 2)	with parts 02,06

Subject to alteration !

Attention: Please take the gross price from the valid price list !

05 Gas section

VUW 242/2-3 R1, VUW 242/2-3 R2, VUW 242/2-3 R3, VUW 242/2-5 R1, VUW 242/2-5 R2, VUW 242/2-5 R3,
VUW 282/2-3 R1, VUW 282/2-3 R2, VUW 282/2-3 R3, VUW 282/2-5 R1, VUW 282/2-5 R2, VUW 282/2-5 R3,
VUW 362/2-5, VUW 362/2-5 R3,



02 - 05 - 019

05 Gas section

VUW 242/2-3 R1, VUW 242/2-3 R2, VUW 242/2-3 R3, VUW 242/2-5 R1, VUW 242/2-5 R2, VUW 242/2-5 R3,
 VUW 282/2-3 R1, VUW 282/2-3 R2, VUW 282/2-3 R3, VUW 282/2-5 R1, VUW 282/2-5 R2, VUW 282/2-5 R3,
 VUW 362/2-5, VUW 362/2-5 R3,

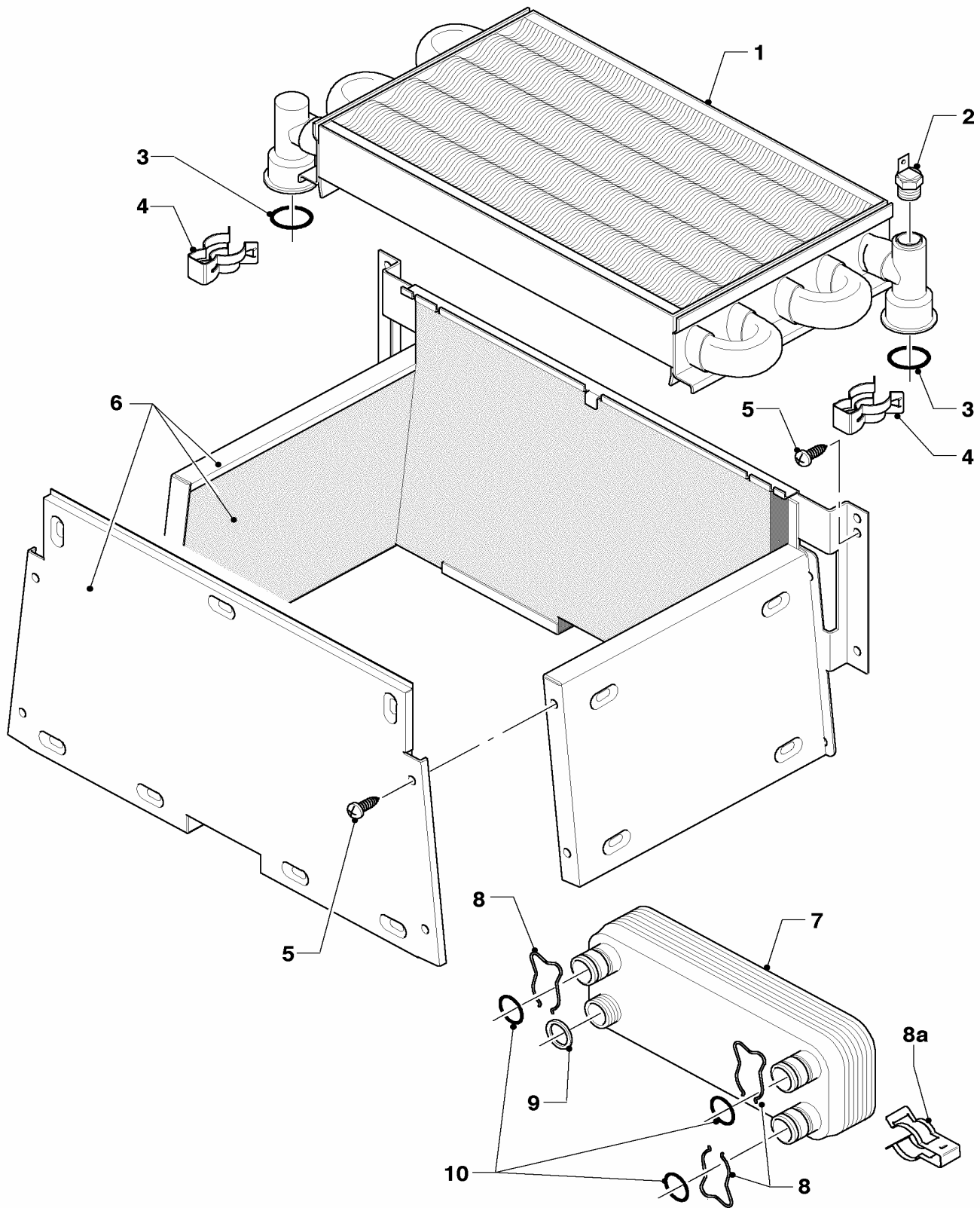
Pos.	Art.-No	Part	Type, note
		02-05-019	
00	202082	conversion set B	VUW ... R1,R2,R3, H, not shown
00	202082	conversion set B	VUW 362/2-5 H, 362/2-5 R3, H, not shown
00	202094	conversion set H	VUW ... R1,R2,R3, B, not shown
00	202094	conversion set H	VUW 362/2-5 B, 362/2-5 R3, B, not shown
01	114189	gas section, cpl. H	VUW ... R1,R2,R3, H, with part 09
01	114189	gas section, cpl. H	VUW 362/2-5 H, 362/2-5 R3, H, with part 09
01	053561	gas section, cpl. P/B	VUW ... R1,R2,R3, B, with part 09
01	053561	gas section, cpl. P/B	VUW 362/2-5 B, 362/2-5 R3, B, with part 09
02	090915	connection cable	for appliances without pressure sensor (see hydraulic parts 08a, pos. 4a)
02	114192	connection cable	for appliances with pressure sensor (see hydraulic parts 08a, pos. 4a)
03	123525	gas tube, cpl. VUW	with parts 04,09
04	235715	screw ISO 7049	
05	123522	tube, cpl.	with parts 06,07,09
06	980765	grommet	
07	981142	packingring (set of 10)	
08	-	-	VUW ... R1,R2,R3, H, These appliances do not have a throttle jet.
08	-	-	VUW 362/2-5 H, 362/2-5 R3, H, These appliances do not have a throttle jet.
08	049749	pre-nozzle (2 x 3.25)	VUW 242/2-3, 242/2-5 R1,R2,R3, B, with part 09
08	049750	pre-nozzle (2 x 3.50)	VUW 282/2-3, 282/2-5 R1,R2,R3, B, with part 09
08	-	-	VUW 362/2-5 B, 362/2-5 R3, B, This appliance does not have a throttle jet.
09	981307	packingring (set of 10)	

Subject to alteration !

Attention: Please take the gross price from the valid price list !

06 Heat exchanger

VUW 242/2-3 R1, VUW 242/2-3 R2, VUW 242/2-3 R3, VUW 242/2-5 R1, VUW 242/2-5 R2, VUW 242/2-5 R3,
VUW 282/2-3 R1, VUW 282/2-3 R2, VUW 282/2-3 R3, VUW 282/2-5 R1, VUW 282/2-5 R2, VUW 282/2-5 R3,
VUW 362/2-5, VUW 362/2-5 R3,



02 - 06 - 026.02

06 Heat exchanger

VUW 242/2-3 R1, VUW 242/2-3 R2, VUW 242/2-3 R3, VUW 242/2-5 R1, VUW 242/2-5 R2, VUW 242/2-5 R3,
 VUW 282/2-3 R1, VUW 282/2-3 R2, VUW 282/2-3 R3, VUW 282/2-5 R1, VUW 282/2-5 R2, VUW 282/2-5 R3,
 VUW 362/2-5, VUW 362/2-5 R3,

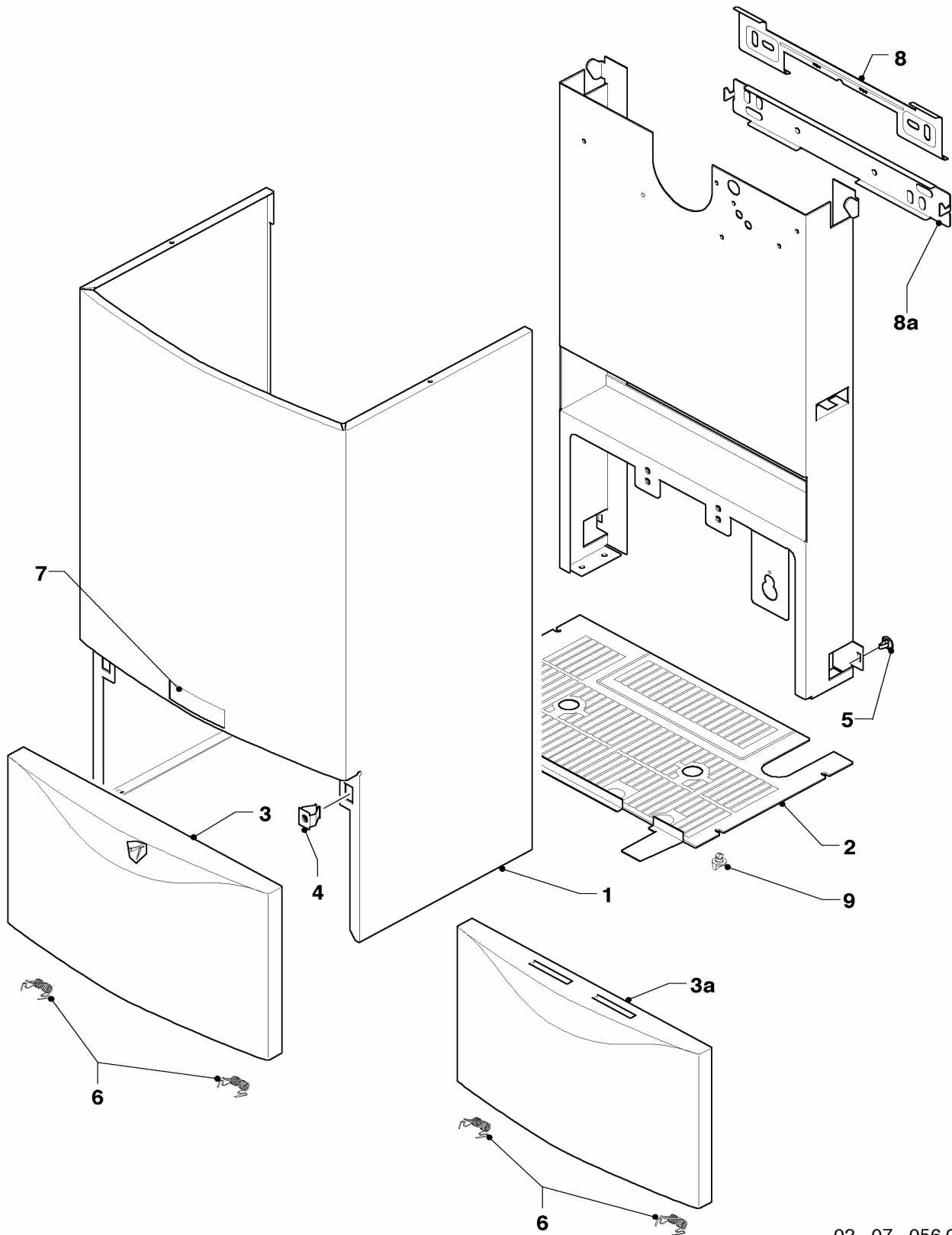
Pos.	Art.-No	Part	Type, note
		02-06-026	
01	064714	heat exchanger, cpl. 24kW	VUW 242/2-3, 242/2-5 R1,R2,R3, incl. both tubes, with parts 03,04
01	104596	heat exchanger, cpl. 28kW	VUW 282/2-3, 282/2-5 R1,R2,R3, incl. both tubes, with parts 03,04
01	065152	heat exchanger, cpl. 36kW	VUW 362/2-5, 362/2-5 R3, with parts 03,04
02	252805	NTC-sensor	
03	981151	packingring (set of 10)	
04	219621	spring clamp (set of 10)	
05	235715	screw ISO 7049	
06	117546	combustion chamber, 24kW	VUW 242/2-3, 242/2-5 R1,R2,R3, with part 05
06	117545	combustion chamber, 28-36kW	VUW 282/2-3,-5 R1,R2,R3, with part 05
06	117545	combustion chamber, 28-36kW	VUW 362/2-5, 362/2-5 R3, with part 05
07	065131	secondary heat exchanger, 12 plates	VUW 242,282/2-3,-5 R1,R2,R3, with parts 08,09,10
07	065153	secondary heat exchanger, 20 plates	VUW 362/2-5, 362/2-5 R3, with parts 08,09,10
08	219622	spring clamp (set of 10)	
08a	219636	clip (set of 2)	
09	981142	packingring (set of 10)	
10	981163	packingring (set of 10)	

Subject to alteration !

Attention: Please take the gross price from the valid price list !

07a Casing parts

VUW 242/2-3 R1, VUW 242/2-3 R2, VUW 242/2-3 R3, VUW 242/2-5 R1, VUW 242/2-5 R2, VUW 242/2-5 R3,
VUW 282/2-3 R1, VUW 282/2-3 R2, VUW 282/2-3 R3, VUW 282/2-5 R1, VUW 282/2-5 R2, VUW 282/2-5 R3,
VUW 362/2-5, VUW 362/2-5 R3,



02 - 07 - 056.04

07a Casing parts

VUW 242/2-3 R1, VUW 242/2-3 R2, VUW 242/2-3 R3, VUW 242/2-5 R1, VUW 242/2-5 R2, VUW 242/2-5 R3,
 VUW 282/2-3 R1, VUW 282/2-3 R2, VUW 282/2-3 R3, VUW 282/2-5 R1, VUW 282/2-5 R2, VUW 282/2-5 R3,
 VUW 362/2-5, VUW 362/2-5 R3,

Pos.	Art.-No	Part	Type, note
		02-07-056	
01	067314	case cpl.	with parts 04,05,07
02	079533	covering grid plate	
03	209714	cover, casing	until 09/02
03	078954	cover, casing (sheet metal)	with part 06, until 09/02
03a	078978	cover, casing	from 09/02
03a	078345	cover, casing (sheet metal)	with part 06, from 09/02
04	219620	clip (pack of 10)	
05	219619	clip (pack of 10)	
06	188742	spring (pack of 2)	
07	118096	badge, cpl.	
08	098919	hanging bracket	until 09/02
08a	091417	hanging bracket (assembly kit)	from 09/02
09	290811	clip (pack of 4)	

Subject to alteration !

Attention: Please take the gross price from the valid price list !

07b Air pressure chamber, fan

VUW 242/2-3 R1, VUW 242/2-3 R2, VUW 242/2-3 R3, VUW 242/2-5 R1, VUW 242/2-5 R2, VUW 242/2-5 R3,
 VUW 282/2-3 R1, VUW 282/2-3 R2, VUW 282/2-3 R3, VUW 282/2-5 R1, VUW 282/2-5 R2, VUW 282/2-5 R3,
 VUW 362/2-5, VUW 362/2-5 R3,

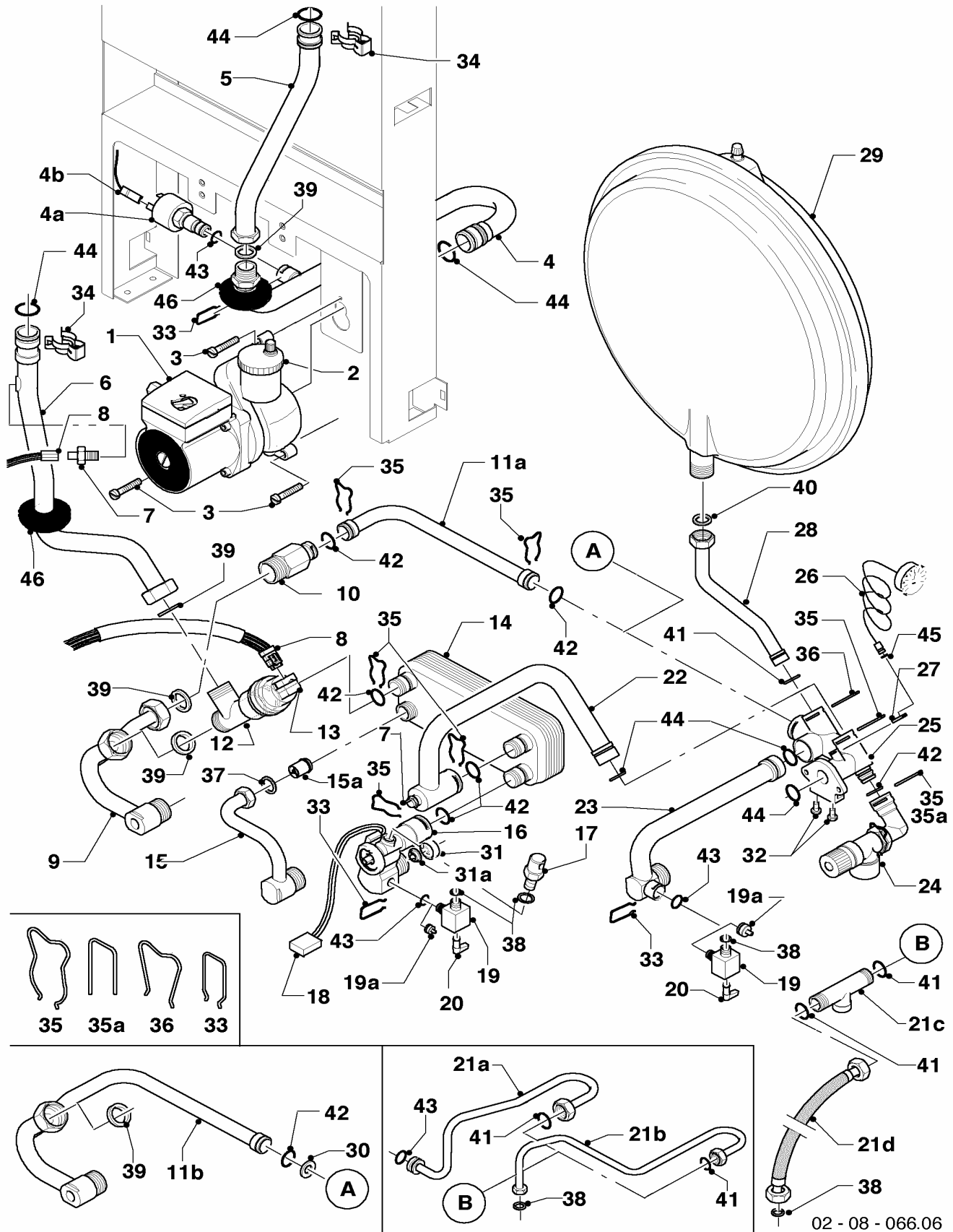
Pos.	Art.-No	Part	Type, note
		02-07-040	
01	077793	flue collector cap	VUW 242/2-3, 242/2-5 R1, with parts 04,10
01	077794	flue collector cap	VUW 282/2-3,-5 R1, 362/2-5, 362/2-5 R3, with parts 04,10
01a	097725	flue collector cap	VUW 242/2-3, 242/2-5 R2,R3, with part 04
01a	097726	flue collector cap	VUW 282/2-3, 282/2-5 R2,R3, with part 04
02	190215	fan	VUW 242,282/2-3,-5 R1, with parts 03,05
02	190262	fan	VUW 362/2-5, 362/2-5 R3, with parts 03,05
02a	0020020008	fan	VUW ... R2,R3, with parts 03,05,18
03	235715	screw ISO 7049	
04	210981	rubber funnel	
05	094282	pitot tube, cpl.	MVL + FIME
06	256097	cable tree	VUW 242,282/2-3,-5 R1,R2,R3
06	256279	cable tree	VUW 362/2-5, 362/2-5 R3
07	084139	hose, cpl.	
08	0020018138	fan proving switch	with part 07
09	078910	combustion chamber cover, cpl.	with parts 10,11,12
09a	0020029605	clip (pack of 10)	
10	139472	plug (set)	
11	-	-	for replacement see pos. 09 (cover underpressure chamber, cpl.) no longer available
12	981048	seal, cpl.	
13	194166	reducing ring F/F0/F1/F2	VUW 242,282/2-3,-5 R1
13	194170	reducing ring F-F2	VUW 362/2-5, 362/2-5 R3
13a	194178	reducing ring A/B/C/D	VUW 242,282/2-3,-5 R2,R3
14	083384	sleeve, cpl.	with part 18
15	133627	test nipple, cpl.	
16	980765	grommet	
17	980766	seal	
18	981178	packingring	

Subject to alteration !

Attention: Please take the gross price from the valid price list !

08a Hydraulic parts

VUW 242/2-3 R1, VUW 242/2-3 R2, VUW 242/2-3 R3, VUW 242/2-5 R1, VUW 242/2-5 R2, VUW 242/2-5 R3,
 VUW 282/2-3 R1, VUW 282/2-3 R2, VUW 282/2-3 R3, VUW 282/2-5 R1, VUW 282/2-5 R2, VUW 282/2-5 R3,
 VUW 362/2-5, VUW 362/2-5 R3,



08a Hydraulic parts

VUW 242/2-3 R1, VUW 242/2-3 R2, VUW 242/2-3 R3, VUW 242/2-5 R1, VUW 242/2-5 R2, VUW 242/2-5 R3,
 VUW 282/2-3 R1, VUW 282/2-3 R2, VUW 282/2-3 R3, VUW 282/2-5 R1, VUW 282/2-5 R2, VUW 282/2-5 R3,
 VUW 362/2-5, VUW 362/2-5 R3,

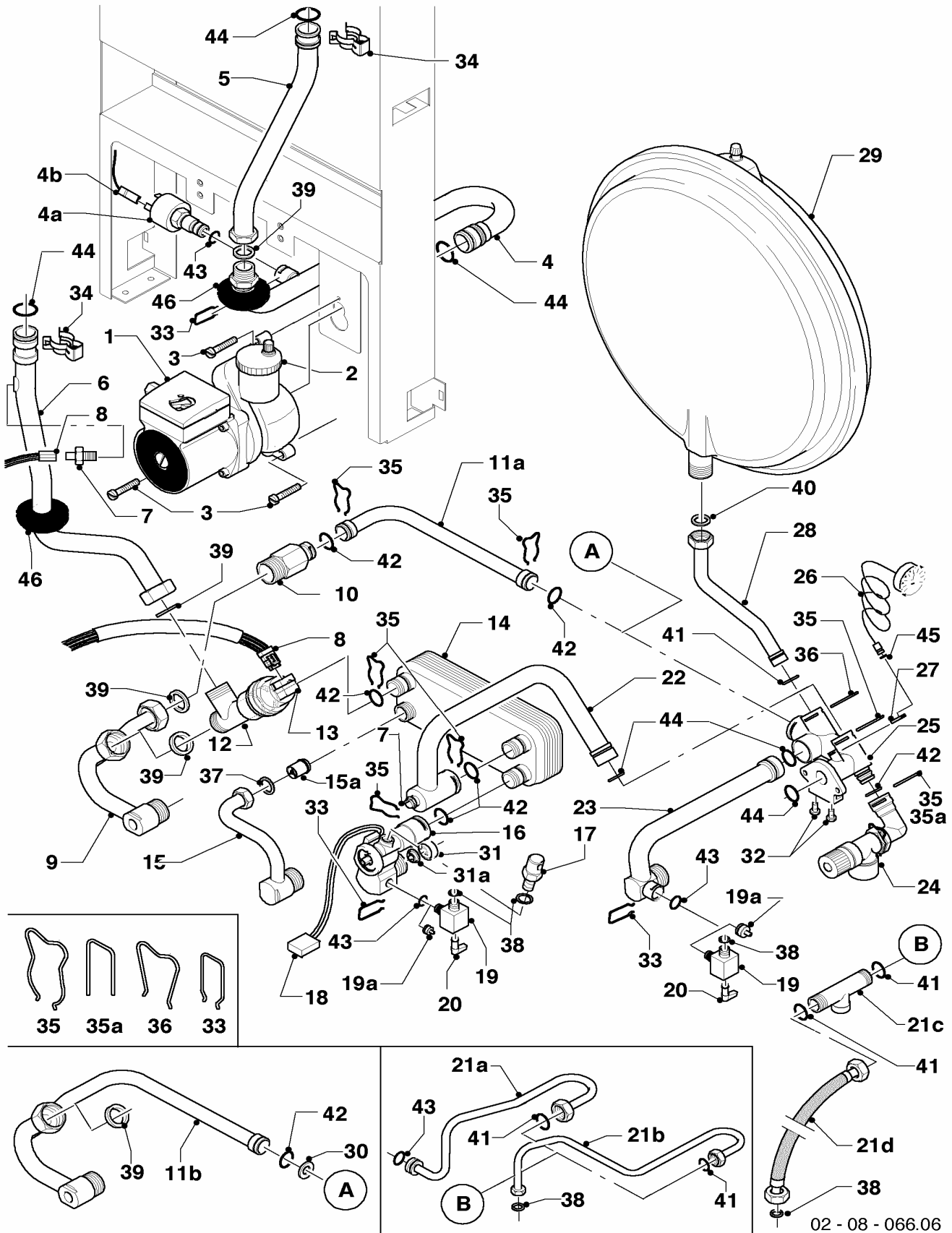
Pos.	Art.-No	Part	Type, note
		02-08-066	
01	160928	pump, VP5 Grundfos	VUW 242,282/2-3,-5 R1,R2,R3, with parts 03,44
01	160977	pump, VP5/2 S2 Grundfos	VUW 362/2-5, 362/2-5 R3, with parts 03,44
02	061707	automatic de-aerator	only for Grundfos pump
02	104521	automatic air vent	only for Vaillant pump
03	118951	lens head screw	
04	019383	connecting tube, cpl.	with parts 39,44,46 for appliances without pressure sensor (see pos. 4a)
04	114193	connecting tube, cpl.	with parts 33,39,43,44,46 for appliances with pressure sensor (see pos. 4a)
04a	712087	pressure sensor	with parts 33,43
04b	114192	connection cable	only for appliances with pressure sensor (pos. 4a)
05	019379	connecting tube, cpl.	VUW 242/2-3, 242/2-5 R1,R2,R3, with parts 34,39,44, only for heat exchanger with its own NTC-sensor!
05	023222	connecting tube, cpl. with NTC-sensor	VUW 242/2-3, 242/2-5 R1,R2,R3, with parts 34,39,44, only for heat exchanger without its own NTC-sensor!
05	019381	connecting tube, cpl.	VUW 282/2-3, 282/2-5 R1,R2,R3, with parts 34,39,44, only for heat exchanger with its own NTC-sensor!
05	104597	connecting tube, cpl. with NTC-sensor	VUW 282/2-3, 282/2-5 R1,R2,R3, with parts 34,39,44, only for heat exchanger without its own NTC-sensor!
05	022590	connecting tube, cpl.	VUW 362/2-5, 362/2-5 R3, with parts 34,39,44
06	022777	connecting tube, cpl.	VUW 242/2-3, 242/2-5 R1,R2,R3, with parts 34,39,44,46, only for heat exchanger with its own NTC-sensor!
06	023223	connecting tube, cpl.	VUW 242/2-3, 242/2-5 R1,R2,R3, with parts 34,39,44,46, only for heat exchanger without its own NTC-sensor!
06	022778	connecting tube, cpl.	VUW 282/2-3, 282/2-5 R1,R2,R3, with parts 34,39,44,46, only for heat exchanger with its own NTC-sensor!
06	104602	connecting tube, cpl.	VUW 282/2-3, 282/2-5 R1,R2,R3, with parts 34,39,44,46, only for heat exchanger without its own NTC-sensor!
06	022589	connecting tube, cpl.	VUW 362/2-5, 362/2-5 R3, with parts 34,39,44,46
07	252805	NTC-sensor	
08	256097	cable tree	VUW 242,282/2-3,-5 R1,R2,R3
08	256279	cable tree	VUW 362/2-5, 362/2-5 R3
09	022784	connecting tube, cpl.	VUW ...-5, with parts 35,39
10	150240	automatic bypass valve, cpl. 2.5m	VUW ...-5, with parts 35,39,42, 2.5m
10	150242	automatic bypass valve, cpl. 1.7m	VUW ...-5, with parts 35,39,42, 1.7m
10	150243	automatic bypass valve, cpl. 3.5m	VUW ...-5, with parts 35,39,42, 3.5m
11a	019390	connecting tube, cpl.	VUW ...-5, with parts 35,42
11b	022783	connecting tube, cpl.	VUW ...-3, with parts 30,35,39,42
12	252457	diverter valve	with parts 35,39,42
13	140429	diverter valve actuator	
14	065131	secondary heat exchanger, 12 plates	VUW 242,282/2-3,-5 R1,R2,R3, with parts 35,37,42
14	065153	secondary heat exchanger, 20 plates	VUW 362/2-5, 362/2-5 R3, with parts 35,37,42
15	022776	warm water connection tube, cpl.	with parts 35,37
15a	014737	non-return valve	
16	194819	aqua-sensor, cpl.	with parts 31,33,35,42,43
16	0020029604	impeller from aqua sensor	not shown
17	014692	overpressure valve	VUW ...-5, with part 38
18	711933	sensor	
19	014675	filling valve without non-return valve	VUW ...-5, with parts 20,33,38,43
19a	139471	plug (compl.)	with part 43
20	125151	handle for drain cock	

Subject to alteration !

Attention: Please take the gross price from the valid price list !

08a Hydraulic parts

VUW 242/2-3 R1, VUW 242/2-3 R2, VUW 242/2-3 R3, VUW 242/2-5 R1, VUW 242/2-5 R2, VUW 242/2-5 R3,
 VUW 282/2-3 R1, VUW 282/2-3 R2, VUW 282/2-3 R3, VUW 282/2-5 R1, VUW 282/2-5 R2, VUW 282/2-5 R3,
 VUW 362/2-5, VUW 362/2-5 R3,



08a Hydraulic parts

VUW 242/2-3 R1, VUW 242/2-3 R2, VUW 242/2-3 R3, VUW 242/2-5 R1, VUW 242/2-5 R2, VUW 242/2-5 R3,
 VUW 282/2-3 R1, VUW 282/2-3 R2, VUW 282/2-3 R3, VUW 282/2-5 R1, VUW 282/2-5 R2, VUW 282/2-5 R3,
 VUW 362/2-5, VUW 362/2-5 R3,

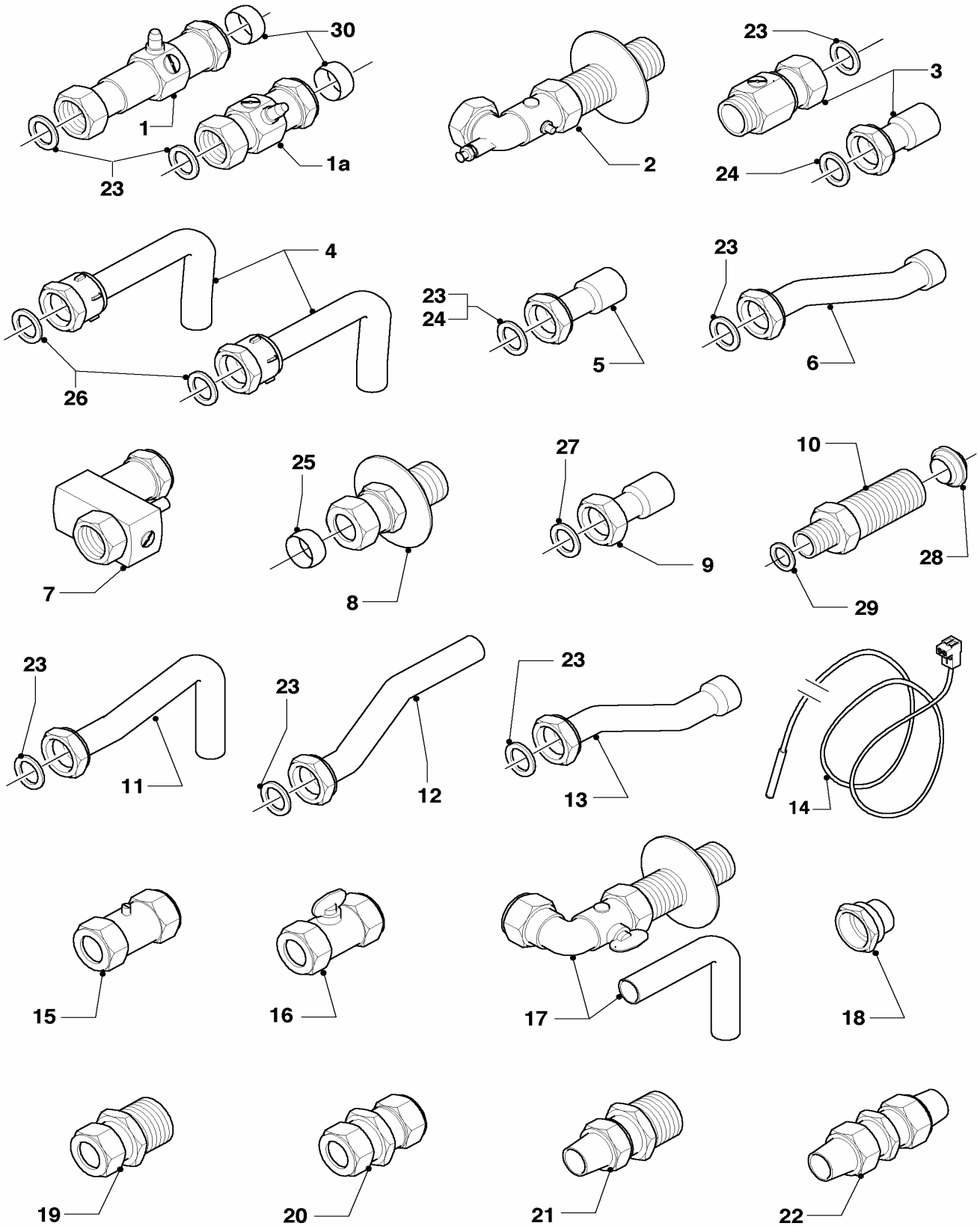
Pos.	Art.-No	Part	Type, note
		02-08-066	
21a	019376	connection tube, cpl. fill-in device	VUW ...-5, with parts 41,43, with 1 filling valve
21b	092005	connection tube, cpl. fill-in device	VUW ...-5, with parts 41,43, with 2 filling valves
21c	014676	non-return valve, cpl.	VUW ...-5, with part 41
21d	095610	flexible metal hose	VUW ...-5, with parts 38,41
22	022782	connecting tube, cpl.	with parts 35,42,44
23	019377	connecting tube, cpl.	with parts 19a,33,35,43,44
24	190732	pressure relief valve	with parts 35,42
25	019392	connecting piece, cpl.	with parts 03,27,30,32,35,36,41,42,44,45
26	101271	manometer	with parts 27,45
27	085751	pressure gauge clip	
28	019372	connecting tube, cpl.	with parts 36,40,41
29	181061	expansion vessel 6 ltr.	round
29	181057	expansion vessel 10 ltr.	square
30	208495	covering plate	VUW ...-3, with parts 35,39,42
31	074514	filter, cpl.	
31a	012975	water quantity limiter (8.1 l/min)	VUW 242/2 -3,-5 R1,R2,R3, 8.1 l/min
31a	012976	water quantity limiter (9.4 l/min)	VUW 242/2 -3,-5 R1,R2,R3, 9.4 l/min
31a	012993	water quantity limiter (13 l/min)	VUW 362/2-5, 362/2-5 R3, 13.0 l/min
32	118937	lens head screw	
33	154150	clip	
34	219621	spring clamp (set of 10)	
35	219622	spring clamp (set of 10)	
35	219636	clip (set of 2)	to fix pos. 22 at pos. 14 (for tube with compressed end), not shown
35a	154194	bow (set of 10)	connection piece, plastic (black)
36	219623	spring clamp (set of 10)	
37	981142	packingring (set of 10)	
38	981146	packingring (set of 10)	
39	981140	packingring (set of 10)	
40	981149	packingring (set of 10)	
41	981165	packingring (set of 10)	
42	981163	packingring (set of 10)	
43	981154	packingring (set of 10)	
44	981151	packingring (set of 10)	
45	981155	packingring (set of 10)	
46	980765	grommet	

Subject to alteration !

Attention: Please take the gross price from the valid price list !

08b Connecting accessories

VUW 242/2-3 R1, VUW 242/2-3 R2, VUW 242/2-3 R3, VUW 242/2-5 R1, VUW 242/2-5 R2, VUW 242/2-5 R3,
VUW 282/2-3 R1, VUW 282/2-3 R2, VUW 282/2-3 R3, VUW 282/2-5 R1, VUW 282/2-5 R2, VUW 282/2-5 R3,
VUW 362/2-5, VUW 362/2-5 R3,



02 - 08 - 083.04

08b Connecting accessories

VUW 242/2-3 R1, VUW 242/2-3 R2, VUW 242/2-3 R3, VUW 242/2-5 R1, VUW 242/2-5 R2, VUW 242/2-5 R3,
 VUW 282/2-3 R1, VUW 282/2-3 R2, VUW 282/2-3 R3, VUW 282/2-5 R1, VUW 282/2-5 R2, VUW 282/2-5 R3,
 VUW 362/2-5, VUW 362/2-5 R3,

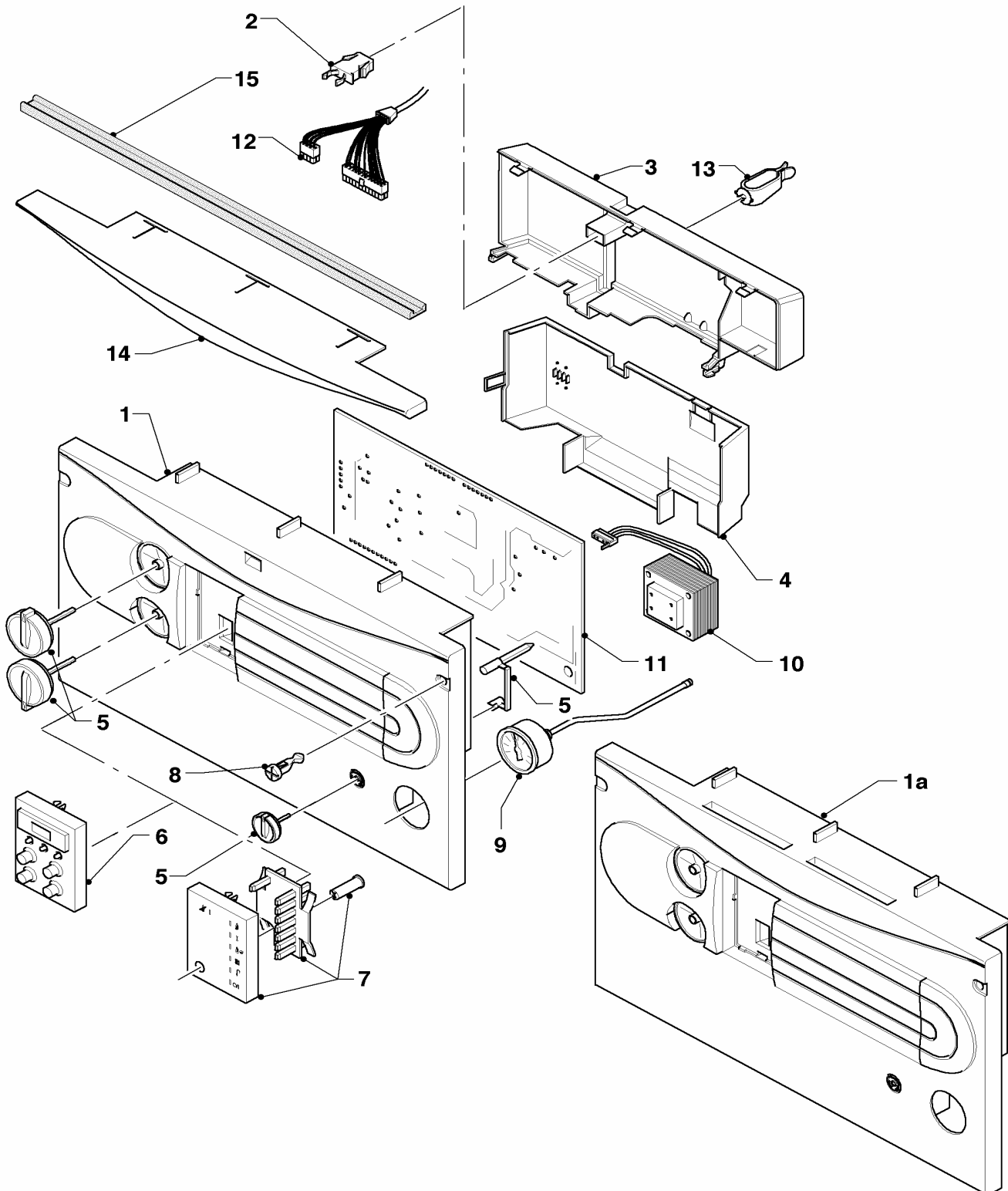
Pos.	Art.-No	Part	Type, note
		02-08-083	
01	-	-	replaced by 135752 (pos. 01a)
01a	135752	service cock, cpl. left + right	with parts 23,30, 3/4 x 22 (adapter to replace longer service cocks included)
02	-	-	not for GB
03	-	-	not for GB
04	-	-	not for GB
05	-	-	not for GB
06	-	-	not for GB
07	014714	valve, cpl.	3/4 x 15
08	-	-	not for GB
09	-	-	not for GB
10	022756	connection piece, cpl.	with parts 28,29, from accessory 306261
11	081447	connecting tube, cpl.	with part 23
12	-	-	not for GB
13	-	-	not for GB
14	253583	temperature sensitive element	
15	082782	gas shut-off valve, cpl.	15 x 15
15	082794	gas shut-off valve, cpl. 36kW	15 x 22 (36kW)
16	-	-	not for GB
17	-	-	not for GB
18	-	-	not for GB
19	-	-	not for GB
20	-	-	not for GB
21	-	-	not for GB
22	-	-	not for GB
23	981152	packingring (set of 10)	17.0 x 24.0 x 1.5
24	-	-	not for GB
25	-	-	not for GB
26	-	-	not for GB
27	-	-	not for GB
28	-	-	not for GB
29	-	-	not for GB
30	980603	packingring	22.2 x 24.6 x 8.6

Subject to alteration !

Attention: Please take the gross price from the valid price list !

12 Control box

VUW 242/2-3 R1, VUW 242/2-3 R2, VUW 242/2-3 R3, VUW 242/2-5 R1, VUW 242/2-5 R2, VUW 242/2-5 R3,
VUW 282/2-3 R1, VUW 282/2-3 R2, VUW 282/2-3 R3, VUW 282/2-5 R1, VUW 282/2-5 R2, VUW 282/2-5 R3,
VUW 362/2-5, VUW 362/2-5 R3,



02 - 12 - 029.05

12 Control box

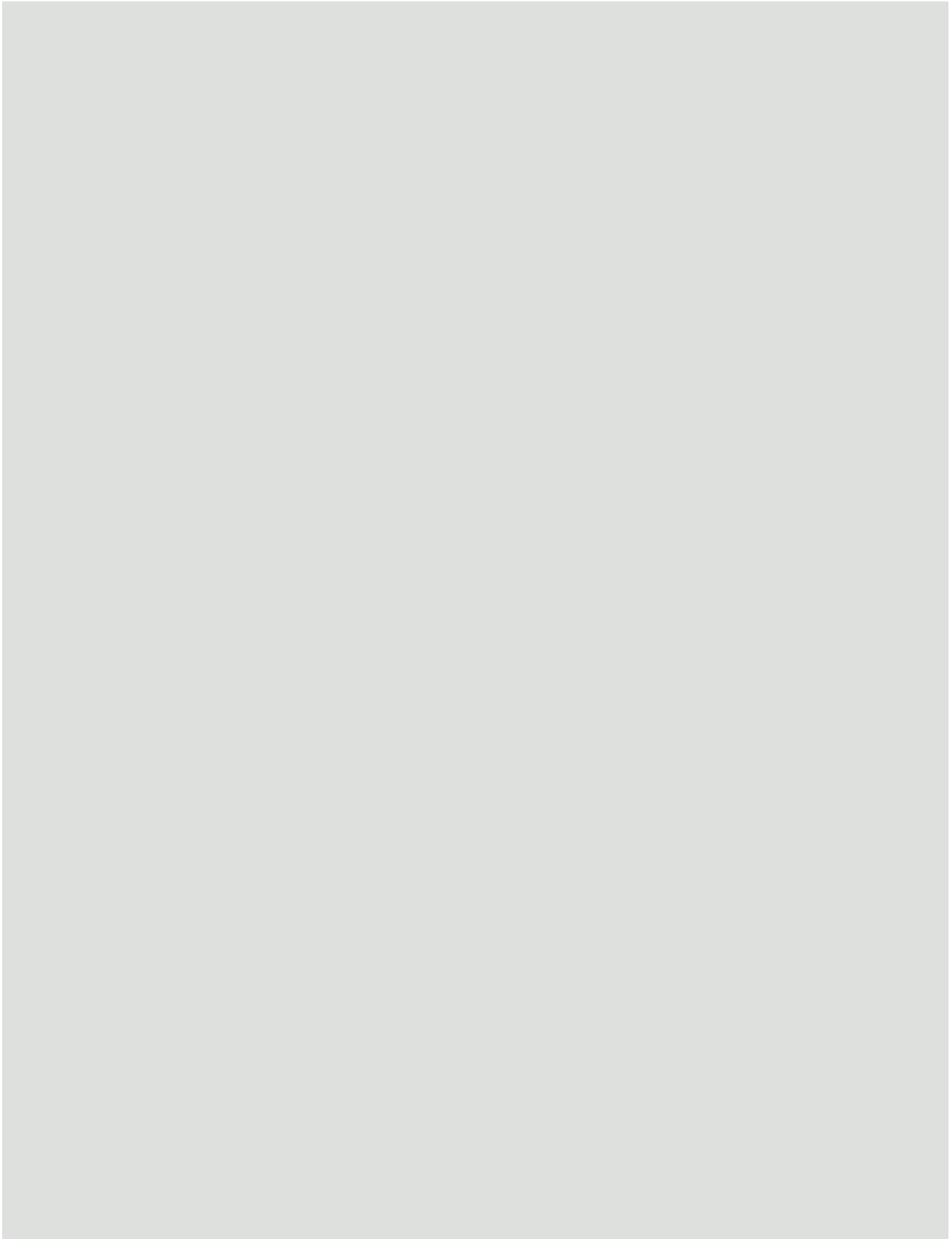
VUW 242/2-3 R1, VUW 242/2-3 R2, VUW 242/2-3 R3, VUW 242/2-5 R1, VUW 242/2-5 R2, VUW 242/2-5 R3,
 VUW 282/2-3 R1, VUW 282/2-3 R2, VUW 282/2-3 R3, VUW 282/2-5 R1, VUW 282/2-5 R2, VUW 282/2-5 R3,
 VUW 362/2-5, VUW 362/2-5 R3,

Pos.	Art.-No	Part	Type, note
		02-12-029	
00	251961	fuse 1.25 AT (set of 10)	not shown, 1.25 AT
00	251955	fuse 2.0 AT (set of 10)	not shown, 2.0 AT
01	-	-	replaced by pos.-no. 01a (if there is a control box cover, this must be replaced too!) no longer available
01a	136894	front cover (grey)	with part 05
02	088734	lock	
03	-	-	not available
04	136882	back panel	
05	114286	knob, cpl. green (3 knobs + lever)	green
05	114288	knobs, cpl. grey (3 knobs)	grey
06	130807	printed circuit with display (grey)	VUW ...-5
07	077978	cover, cpl. display (grey)	VUW ...-3
08	132925	securing fastener (set of 10)	
09	101271	manometer	
10	287450	transformer, cpl.	
11	130805	printed circuit, cpl.	VUW 242,282/2-3 R1,R2,R3
11	130806	printed circuit, cpl.	VUW 242,282/2-5 R1,R2,R3
11	130827	printed circuit, cpl. 36kW	VUW 362/2-5, 362/2-5 R3
12	256097	cable tree	VUW 242,282/2-3,-5 R1,R2,R3
12	256279	cable tree	VUW 362/2-5, 362/2-5 R3
13	219629	clip (set of 5)	
14	077958	covering plate	VUW ...-3
15	-	-	not for GB

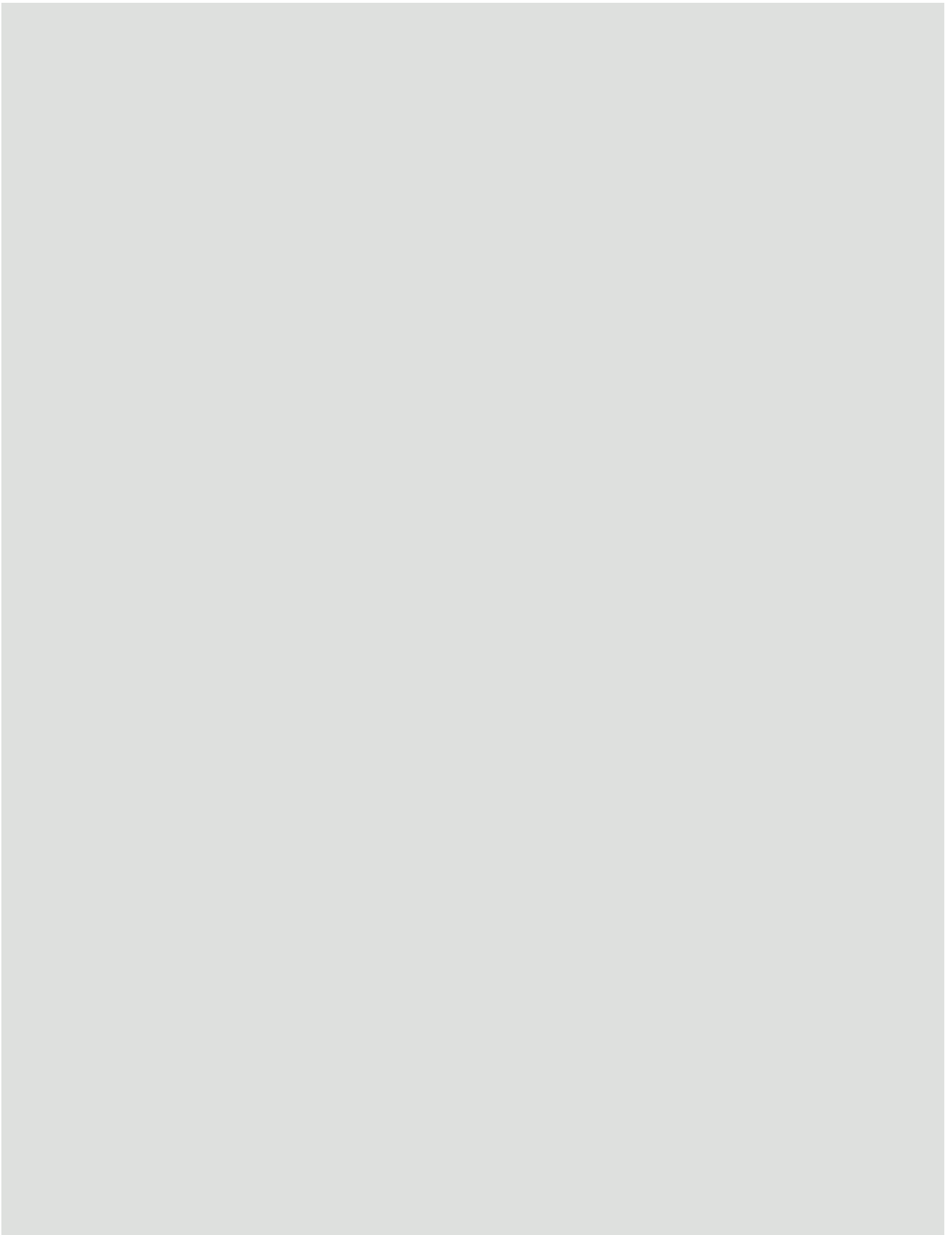
Subject to alteration !

Attention: Please take the gross price from the valid price list !

Notes



Notes



Notes

