

# TESY

It's impressive

- EN** RANGE HOODS 3-9  
Instructions for use and maintenance
- BG** АСПИРАТОРИ 10-17  
Инструкция за употреба и поддръжка
- RO** HOTE ELECTRICE DE UZ CASNIC 18-24  
Instrucțiuni de utilizare și întreținere
- GR** ΗΛΕΚΤΡΙΚΩΝ ΑΠΟΡΡΟΦΗΤΗΡΩΝ ΟΙΚΙΑΚΗΣ 25-32  
Οδηγίες χρήσης και αποθηκεύσεως
- HR** ELEKTRIČNIH ASPIRATORA 33-39  
Upute za uporabu i održavanje
- RS** ЕЛЕКТРИЧНИХ АСПИРАТОРА 40-47  
Упутства за употребу и складиштење
- SL** KUHNJSKE NAPE 48-54  
Navodila za uporabo in vzdrževanje
- AL** ASPIRATORËVE ELEKTRIKË SHTËRIAKË 55-62  
Instruksioni për shfrytëzimin
- MK** ЕЛЕКТРИЧНИ АСПИРАТОРИ 63-70  
Упатство за употреба и чување




CH 1760 1T IX




Thank You for choosing a TESH electric range hood. This appliance helps for better atmosphere in the kitchen while preparing food. If correctly operated and taken care of, as described in these instructions, the device will give You many years of useful operation.

The present instruction manual explains the installation, operation, maintenance and cleaning of the following models TESH chimney-type household electric range hoods

- CH 1760 1T IX

 Please read this manual before operating the appliance and keep it at a safe place for future reference. In case the appliance is obtained by a new owner, it should be transferred together with its manual.

#### IMPORTANT SAFETY MEASURES AND INSTRUCTIONS:

 *Children under 3 years of age should be kept away from the appliance unless they are under constant supervision.*

*Children from 3 to 8 years of age are allowed to operate the on/off button ONLY, provided that the appliance is installed and ready for operation and such children have been supervised and instructed in safe operation of the appliance and they understand all related risks.*

*Children from 3 to 8 years of age MUST NOT: connect the plug to power sockets, make adjustments, clean it or carry out user maintenance operations.*

*This appliance can be used by children older than 8 years of age and by people with reduced physical, sensor and mental capabilities, as well as by people with insufficient experience and knowledge provided they are supervised or instructed in safe operation of the appliance and understand the related risks. Children should not be allowed to play with the appliance. Cleaning and user maintenance operations must not be carried out by children without supervision.*

#### PRECAUTIONS AND SAFETY MEASURES

- Before connecting and switching on the appliance, please check whether the voltage indicated on the rating plate corresponds to the voltage supplied to your home. This appliance operates with the following voltage: 220–240 V~/50Hz.
- This appliance shall be used only for the purpose it has been designed for. The appliance is not designed for commercial applications. Any other use shall be deemed incorrect and therefore dangerous. The manufacturer does not bear liability for damages resulting from incorrect and irrational use. Not-adherence to these instructions will render the appliance's warranty void!
- Do not leave your home while the appliance is operating. Please ensure it has been switched off.
- The power supply cord of your appliance is equipped with grounded plug. This cord shall be connected to a grounded power socket. If the power cord of the appliance is damaged, please stop using it and contact the supplier/seller for further instructions.
- Do not break or bend the cord, do not pull it along sharp edges and do not place it on hot surfaces or open flame!
- Place the power cord in such a way that it does not hamper the movement of people and it will not be stepped on! Use only approved extension cords which are suitable for the appliance, i.e. they should bear conformity sign!
- Never move the appliance by pulling its cord and never use its cord for transporting objects!

- Only qualified electrician shall make the electrical connections.
- Any installation done by unauthorized personnel may result in lower performance, damage to the appliance or accidents.
- Do not plug the appliance in the socket before the electrical connections have been completed.
- The socket shall be accessible at all times so that the plug can be taken out of it immediately if necessary!
- Never pull the power cord or the appliance itself while unplugging it from the mains.
- Should you decide to stop using an appliance of this kind, it is recommended to render it unusable by cutting off its cord after you have disconnected it from the mains. It is also recommended to secure all appliance-related risks, especially with regards to children who may use the appliance to play with it.
- Do not touch the lamps if they have been on for a long time – they may burn your hands because they are hot.
- Follow the relevant rules and guidelines for ducting out the exhaust air.
- You need to provide adequate ventilation in a room where the range hood will be used simultaneously with an appliance which burns gas or another type of fuel (Not valid for appliances which recycle air back into the room).
- There is a risk of fire if the cleaning is not done in accordance with the instructions.
- Clean the appliance regularly. You must disconnect it from the mains prior to cleaning it.
- Never touch the appliance with wet or damp hands – this is dangerous for your life!
- You shall not light any food on fire (flambé) under the range hood.
- The exhaust air shall not be discharged in a chimney which is used for discharging the exhaust gases from appliances using gas or other type of fuel (Not valid for appliances which recycle air back into the room).
- During installation you should observe the minimum distance between the hot plate surface on which cookware will be placed. When the range hood is placed over domestic appliance which uses gas, then the distance shall be at least 65 cm. If the instruction manual of the gas hot plate itself indicates bigger distance, then it should be taken into account. The distance of 65 cm may be reduced for the inflammable parts of the range hood and for parts which operate under safe ultra-low voltage, which, if they get deformed, will not give access to parts that are charged with voltage.
- Switch on the range hood only after You have placed a frying pan, cooking pot or another cookware on the hot plate. Otherwise the heat may cause deformities to some parts of the range hood.
- Do not leave cookware with hot oil on the hot plate. Cookware containing hot oil may cause self-ignition.
- Be careful with curtains and table cloths while cooking, e.g. frying, because the oil may set them on fire.
- Ensure that filters are replaced in time. Filters that are not replaced/cleaned pose risk of fire due to the greasy deposits on them.
- Do not use materials which are not heat resistant instead of filters.
- Do not use the range hood without the aluminium filters. Do not remove the filters while the appliance is operating.
- In case of fire disconnect the power supply of the range hood and of the stove. (Unplug the appliance from the power socket or switch off the circuit breaker.)
- Switch off the appliance during its maintenance. (Unplug the appliance from the power socket or switch off the circuit breaker.)
- If the range hood and another appliance running on energy different from electricity operate simultaneously, the negative pressure in the room shall not exceed 4Pa.
- If in the same place where the range hood is located there is also an appliance on liquid or gaseous fuel, then this appliance shall be placed in an airtight container.
- If you are discharging the exhaust air through the chimney, use pipes with diameter 120 or 150 mm. The pipe connection should be as short as possible and to have the minimum possible number of curves.
- Use a circuit breaker with maximum current of 6 Ampere at the installation of the range hood for your safety.
- If the cord is damaged, it has to be replaced by an authorized service centre or qualified technician in order to avoid any dangerous situations.
- In case of fire disconnect the power supply of the appliances, extinguish the fire; never use water!.

## UNPACKING THE APPLIANCE

- Upon unpacking the appliance please verify that it has not been damaged during transportation and it has been delivered in full! In case of any damage or incomplete delivery, please contact your authorized seller!
- Do not dispose of the original box! It may be used for storage and transportation to avoid any possible damages resulting from transportation!
- Disposing of the packaging material shall be done in the suitable manner!
- Children shall not play with the polyethylene bags!

## CONTENTS OF THE PACKING BOX

The contents of the packaging may vary depending on the specific model:

### CH 1760 1T IX

- Range hood CH 1760 1T IX
- Aluminium filter kit
- Upper and lower chimney body
- Mounting bracket for fixing the range hood
- Mounting brackets for fixing the chimney bodies
- Non-return flap
- Flexible tube
- Adapter Ø150 mm - Ø120 mm
- Installation kit
- Instruction manual
- Warranty card
- Energy label
- Product fiche

## CHOOSING A LOCATION FOR INSTALLATION OF THE RANGE HOOD

When installing the range hood, You must observe at least 65 cm distance from the range hood and the surface on which cookware will be placed.

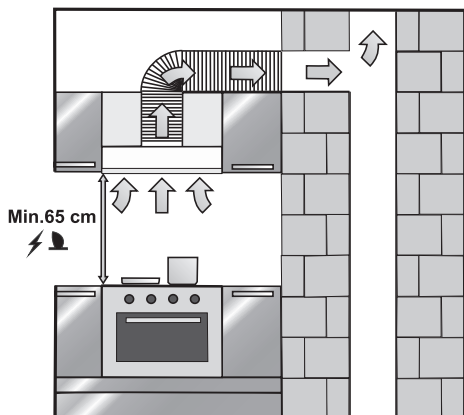
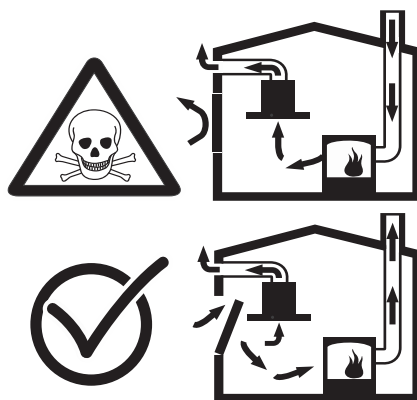


Figure 1 – Requirement for minimum distance from the working surface

**⚠ RISK OF POISONING AND DEATH!**  
 There is risk of poisoning by inhaling the exhaust gases. Do not use the appliance simultaneously with appliances which generate poisonous gases that are released through a chimney, like for example stoves running on gas, coal, fuel oil or wood, unless proper ventilation has been provided. Such type of heating appliances use air for burning at the place of their installation and release the exhaust gases through the chimney. The air gets sucked out from the kitchen or the adjacent room when the range hood operates. This generates vacuum unless fresh air flow is provided. In this case the exhaust gases are sucked in back from the exhaust pipes and fed back into the room. Therefore, proper ventilation of the room must be provided.



**⚠ RISK OF FIRE!**  
 Installation of the range hood over an appliance which runs on solid fuel (wood or coal) is allowed only in case the appliance is permanently assembled. The local regulations regarding the mains electricity shall be observed.

*If the appliance has not been cleaned in accordance with the cleaning instructions it is possible to suck in sparkles or other small burning particles and thus to cause fire.*

## INSTALLATION INSTRUCTION

The CH-series chimney-type range hoods are designed for wall-mounting. Figure 3 below shows the distances for the installation holes.

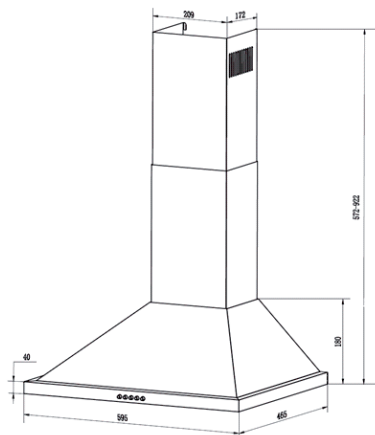


Figure 2 – Dimensions of SL 1760 1T IX

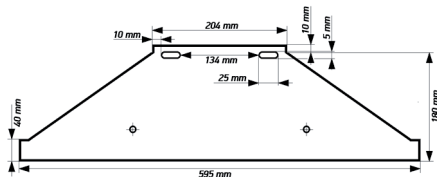


Figure 3 – Drawing of the installation holes

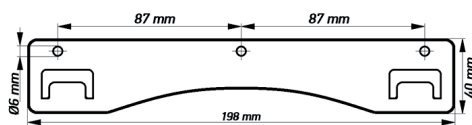


Figure 4 – Drawing of the mounting bracket for the range hood

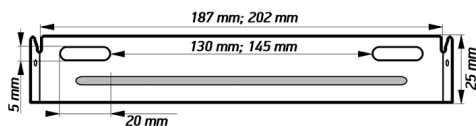


Figure 5 – Drawing of the mounting bracket for the chimney bodies

Fixing the mounting bracket and the range hood to the wall:

- Mark on the wall and drill at least 2 holes (preferably the outer ones) with diameter Ø8 for the mounting bracket for the range hood.
- Place the plastic wall plugs in the holes.
- Fix the bracket to the wall with the screws.
- Tighten the screws completely.
- Hang the appliance on the bracket.
- Mark the lower holes.

- Take the appliance off the bracket.
- Drill 2 holes with diameter Ø8 mm and place the plastic wall plugs in the holes.
- Hang the appliance on the bracket.
- Tighten the screws in the lower holes to fix the appliance to the wall. Make sure that the range hood is fixed firmly to the wall.
- Mark the slots for the both mounting brackets for chimney bodies according to the height you need. Keep in mind that the bracket for the lower chimney body is longer than the one for the upper chimney body.
- Drill the holes and place the plastic wall plugs in the holes.
- Fix the brackets to the wall with screws.
- Connect the flexible aluminium pipe to the outlet of the range hood and to the chimney, taking into account that the bends and curves reduce the absorption power, so they should be reduced to the minimum.
- Ensure that the connection will not get loose when the appliance operates at maximum power.
- Install the chimney bodies and fix them with screws.

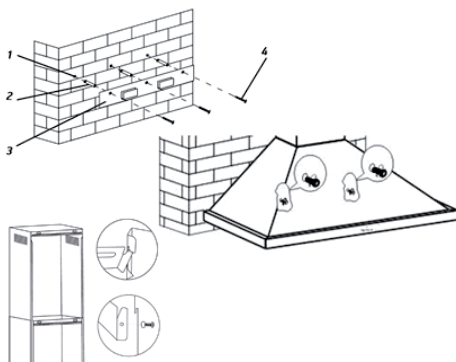


Figure 6 – mounting the range hood



**RISK OF ELECTRIC SHOCK!**

Do not bend or crush the power cord during installation! Otherwise the cord may get damaged.



**RISK OF INJURY!**

There is risk of injury during installation because of the sharp edges. During installation always use protective gloves.

All safety bolts and safety covers shall be installed in the way specified in the instructions, otherwise the appliance may fall.

## OPERATION OF THE RANGE HOOD

**!** *The accessible parts may get hot while the appliance is operating in combination with operating hot plates under it.*

Range hood model CH 1760 1T IX is operated by five round buttons located on the front panel for comfortable and easy access. The rightmost button is for switching on/off the lightening, and the remaining four buttons are for control of the ventilation speed.



Figure 7 – Control buttons of CH 1760 1T IX

Description of the control buttons shown in figure 7:

- ⓐ – Button for switching off the ventilation
- ① – 1st ventilation speed
- ② – 2nd ventilation speed
- ③ – 3rd ventilation speed
- 💡 – Button for switching on/off the lightening

This model allows you to set the range hood to operate at a ventilation speed which you wish, for example speed III, and you can switch directly to speed I or go back to speed III or the other way round.

### OPERATING THE RANGE HOOD WITH AND WITHOUT CHARCOAL FILTERS

**!** *Do not use the appliance without filters!*

TESY range hoods are intended for use with standard aluminium filters and also with charcoal filters which may be purchased separately.

If there is not a chimney in the room the range hood shall be used with a charcoal filters to clean the air. This filter is not included in the package, but you can purchase it from Your supplier or service centre. In this manner of operation the filter shall be replaced with a new one every 3 to 5 months depending on the frequency of use.

**!** *Never wash the charcoal filters. Keep it away from children.*

**!** *Before replacing the charcoal filters, You must switch off the power supply of the range hood by unplugging the power cord from the socket or by switching off the fuse.*

The charcoal filters come in a pair (left and right) and you need to observe their direction during installation.

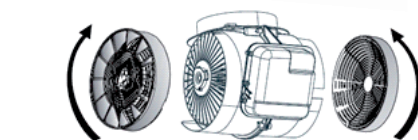
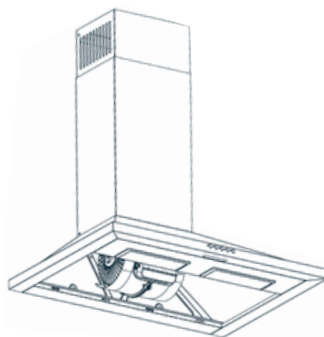


Figure 8 – Installation of the charcoal filters

Installing a charcoal filter is done as follows.

1. Place the filter in its correct place.
  2. Turn in a clockwise direction to fix it in its place.
- Removal of the filter is done in the reverse order.

### LAMP REPLACEMENT

**!** *Before replacing the lamp, You must disconnect the appliance from the mains. Let the lamp cool down, otherwise You may burn yourself.*

Range hood CH 1760 1T IX has 2 1.5W LED lamps. In order to replace a faulty lamp, please follow the procedure below

- Remove the aluminium filters.
- Locate the top of the light fitting and squeeze the spring clips while pushing the fitting out of the base of the hood.
- Unplug the connector of the lamp.
- Plug the new lamp.
- Push the new lamp in the base of the hood.
- Reinstall the aluminium filters

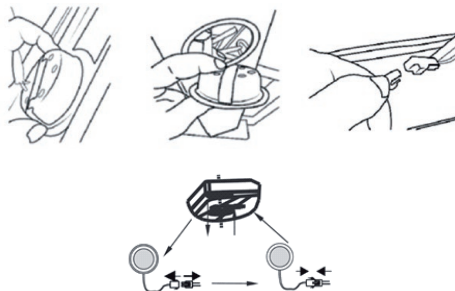


Figure 9 – replacing the lamps

## CLEANING AND MAINTENANCE



*Cleaning and maintenance of this appliance shall not be done by children!*



*The surface may get damaged if any sharp or abrasive cleaning objects or detergents are used. Never use such. You can obtain suitable cleaning and protective detergents from your dealer. The surface of the appliance and the control elements are sensitive to scratches.*

Clean the surface with a soft damp cloth, detergent for dishwashers or soft glass detergent. Do not use dry towels, abrasive sponges, substances which require rubbing, detergents which contain sand, soda, acid or chlorine or other strong chemicals.

Clean the inox surfaces only in the direction of rubbing.

Do not use detergents and wet towels on the control elements.



### **RISK OF BURNING, RISK OF ELECTRIC SHOCK!**

*Wait until the appliance has cooled down before cleaning it. Disconnect it from the power socket or the circuit breaker.*

*There is risk of damage caused by moisture penetrating into the electronic components. Never clean the control elements with damp cloth.*

### Cleaning the aluminium filters

The aluminium filters catch the greasy particles contained in the steam released during cooking. At normal frequency of operation (1-2 hours a day), the aluminium filters have to be cleaned once a month.

Do not use too strong detergents which contain acid or chlorine.

While cleaning the metal filter, you need to clean also the holding mechanisms of the metal filter on the appliance with damp cloth.

You can wash the metal filter in a dishwasher or manually.

### Washing the aluminium filters in a dishwasher

In case of washing the aluminium filters in a dishwasher they may be slightly bleach. This will not affect the performance of the filters. Do not wash the severely clogged aluminium filters together with dishes.

Place the aluminium filters in the dishwasher freely or positioned without any pressure on the dishes.

### Washing the aluminium filters manually

You can use oil solvent for removing persistent stains.

First soften the spots on the aluminium filter with hot water with dishwashing liquid.

Use a brush to clean it and then rinse the filters with plenty of water.

Leave the aluminium filters to dry fully before reinstalling them in the range hood.



*Wash the aluminium filter regularly. You may need your range hood to operate at higher speed because clogged filters restrict the air flow.*

*Use the various speeds of the range hood in the correct manner.*

*Operating the range hood at high speed increases the consumption of electricity.*



### **RISK OF FIRE, RISK OF INJURY!**

*In case of damage or unplanned repairs, unplug the appliance from the power socket or the fuse and call an authorized service technician!*

*Repairs shall be always performed by authorized service centres or technicians.*



*If the power cord is damaged, it has to be replaced with a new one by the manufacturer or authorized service centres or qualified technician in order to avoid dangerous situations.*

*If the lamp bulbs are damaged, disconnect the appliance from the power socket or the fuse. In order to avoid overloading the remaining lamps, you should immediately replace the damaged ones (wait until they have cooled down).*

## AUTHORIZED SERVICE INTERVENTIONS

If the lightening does not work:

- Ensure the appliance is connected to the mains and the fuses are not damaged.
- Check the light bulbs. Ensure the appliance is disconnected from the mains while you are checking. Tighten the lamps if they have got loose. If they still do not work after this, replace them.

### **Possible causes and actions you may take without calling service technicians.**

#### **The appliance does not operate at all:**

- Check whether the appliance is connected to the power supply.
- Check the fuses of the appliance and the main fuses in your home.

#### **If the appliance does not work at full power or it generates loud noises during operation:**

- Is the diameter of the exhaust pipes sufficient? (minimum 120 mm)
- Are the metal filters clean? Please check.
- If you use the appliance without ducting the air out of the room, please ensure that the active charcoal filters are not more than 6 months old.
- Ensure proper ventilation in the room and fresh air flow. If you are still dissatisfied with the performance of your range hood, please contact an authorized service centre.



## FAULTS DIAGNOSTICS

Troubleshooting	Reason	Help
The product does not work.	Check electricity connection.	The mains voltage must be 220-240V and the product must be connected to an earth socket.
The fan does not work.	Check electricity connection.	The mains voltage must be 220-240V and the product must be connected to an earth socket.
The fan does not work.	Check electricity connection.	The switch for the fan must be turned on.
The fan does not work.	The turbine is jammed.	Unplug the appliance from the mains and contact a service centre.
The fan does not work.	The motor is damaged.	Unplug the appliance from the mains and contact a service centre.
The lamp does not work.	Check electricity connection.	The mains voltage must be 220-240V and the product must be connected to an earth socket.
The lamp does not work.	Check electricity connection.	Lamp switch must be in the "on" position.
The lamp does not work.	Check lamps.	The product lamps must not be faulty.
There are serious vibrations in the appliance.	The turbine is damaged	Unplug the appliance from the mains and contact a service center.
There are serious vibrations in the appliance.	The motor is not fixed solid.	Unplug the appliance from the mains and contact a service center.
There are serious vibrations in the appliance.	The appliance is not hung on the wall / bracket / kitchen cabinet properly.	Take down the appliance and hang it correctly.
The product air inlet is weak.	Check aluminum filter.	The aluminum cartridge filter must be washed at least once a month under normal conditions.
The product air inlet is weak.	Check air exhaust flue.	The air exhaust flue must be open.
The product air inlet is weak.	Check charcoal filters.	In products where charcoal filters are used, the charcoal filter must be replaced once every 3 months under normal conditions.
Does Not Discharge Air (Use without Flue).	Check aluminum filters.	Aluminum cartridge filter must be washed at least once a month under normal conditions.
Does Not Discharge Air (Use without Flue).	Check charcoal filters.	In products where charcoal filters are used, the charcoal filter must be replaced once every 3 months under normal conditions.

### Technical Chart

Supply Voltage	220-240V~/50Hz
Motor Insulation Class	B
Insulation Class	CLASS I




### Environment protection instructions

Obsolete electric appliances contain valuable materials and consequently they should not be treated as domestic waste! We ask for Your cooperation and Your active contribution to protect the resources and the environment. Please submit Your out-of-use appliances to the organized buy-back stations (if there are such).


Благодарим Ви, че избрахте електрически аспиратор ТЕСИ. Това е изделие, което спомага за по-приятна обстановка в кухнята при приготвянето на храна. При правилна експлоатация и грижа, както е описано в тези инструкции, уредът ще Ви осигури много години полезно функциониране.

Настоящата инструкция за експлоатация обхваща инсталацията, работата, поддръжката и почистването на следните модели битови електрически аспиратори каминен тип с марка ТЕСИ:

- CH 1760 1T IX

 Моля прочетете настоящите инструкции за употреба преди да започнете да използвате уреда и ги съхранявайте за бъдещо ползване. При смяна на собственика инструкцията за употреба трябва да се предаде заедно с уреда.

## ВАЖНИ ПРЕДПАЗНИ МЕРКИ И ИНСТРУКЦИИ ЗА БЕЗОПАСНОСТ:

 Деца на по-малко от 3 години, трябва да се държат на разстояние, освен ако не са под непрекъснато наблюдение.

Деца на възраст от 3 години до 8 години могат само да използват бутона вкл./изкл. на уреда, при условие, че уреда е инсталиран и е готов за нормална работа и са били наблюдавани и инструктирани относно използването му по безопасен начин и разбират, че може да е опасно.

Деца на възраст от 3 години до 8 години не трябва да включват уреда в контакта, да го настройват, да го почистват или да извършват потребителска поддръжка.

Този уред може да се използва от деца на възраст над 8 години и лица с ограничени физически, сетивни или умствени способности, или с недостатъчен опит и познания, ако те са наблюдавани или инструктирани относно безопасното използване на уреда и разбират опасностите. Децата не трябва да си играят с уреда. Почистване и потребителска поддръжка не трябва да се прави от деца без наблюдение.

## ПРЕДУПРЕЖДЕНИЯ И ПРЕДПАЗНИ МЕРКИ

- Преди да включите уреда проверете дали посоченото напрежение върху типовата табелка съответства на напрежението доставяно до дома Ви. Използваемото напрежение на вашия уред е 220–240 V~/50Hz.
- Този уред трябва да се използва само по предназначението, за което е бил предвиден. Уреда не е предназначен за търговски цели. Всяка различна употреба да се счита за неправилна и следователно опасна. Производителят не може да носи отговорност за повреди, произтичащи от неправилна и неразумна употреба. Неспазване на информацията за безопасност ще направи

невалидна поетата гаранция за уреда!

- Не напускайте дома си, докато уреда е включен. Уверете се, че е в изключено състояние.
- Захранващият шнур на Вашият уред е снабден със заземен щепсел. Този кабел трябва да се включва в заземен контакт. Ако захранващия шнур на този уред е повреден, преустановете употребата му и се свържете с доставчика/продавача за допълнителни инструкции.
- Не пречупвайте шнура, не го дърпайте през остри ръбове и не го поставяйте върху горещи плочи или открит огън!
- Поставете захранващия шнур, така че да не пречи на движението на хората и да не бъде настъпван! Използвайте само одобрени

удължителни, които са подходящи за уреда, т.е. имат знак за съответствие!

- Никога не премествайте уреда, като го дърпате за шнура както и не използвайте шнура за пренасяне на предмети!
- Електрическото свързване е необходимо да се извърши от квалифициран техник.
- Инсталиране от страна на неоторизирани хора може да доведе до по-ниска производителност, повреди на уреда или инциденти.
- Не включвайте в контакта преди електрическото свързване да е приключило.
- Контактът трябва да бъде достъпен по всяко време, за да може щепсела да бъде освобождаван при нужда възможно най-бързо!
- Никога не теглете захранващия шнур или самия уред при изключване от мрежата.
- Ако решите да престанете да използвате уред от този тип, препоръчва се да го направите неизползваем, като срежете шнура, след като сте го изключили от мрежата. Препоръчва се още всички опасности, свързани с уреда да бъдат обезопасени, особено за деца, които биха могли да използват амортизираното устройство (уред) за игра.
- Не докосвайте лампите, ако са били включени продължително време – може да ви изгорят ръцете, защото ще бъдат горещи.
- Следвайте съответните правила и напътствия за отвеждане на въздуха навън.
- Трябва да се осигури адекватна вентилация в помещението, в което аспираторът се използва едновременно с уред, който изгаря газ или друго гориво (Не важи за уреди, които връщат очистения въздух обратно в помещението).
- Съществува опасност от пожар в случай, че почистването не се извършва според инструкциите.
- Редовно почиствайте уреда, като преди това задължително го изключите от електрическата мрежа.
- Никога не пипайте уреда с мокри или влажни ръце – съществува опасност за живота!
- Гореща храна (фламбе) не трябва да се готви под аспиратора.
- Очистеният въздухът не трябва да се освобождава в димоотвод, който се използва за отвеждане на изгорели газове от уреди, използващи газ или други горива (Не важи за уреди, които връщат очистения въздух обратно в помещението).
- При монтаж следва да се спазва минималното отстояние между повърхността на котлона, върху която се слагат готварските съдове. Когато аспираторът е разположен над домакински уред, използващ газ, тогава отстоянието трябва да бъде поне 65 см. Ако инструкциите на самия газов котлон указват по-голямо разстояние, то трябва да бъде взето под внимание. Отстоянието от 65 см. може да бъде намалено за незапалимите детайли на аспиратора и за детайли, работещи под безопасно свръх-ниско напрежение, като в случай на деформация тези части няма да дадат достъп до части под напрежение.
- Включвайте аспиратора след като сте поставили тиган, тенджерата или друг съд върху котлона. В противен случай високата температура може да деформира някои части на аспиратора.
- Не оставяйте горещо олио върху котлона. Съдове, съдържащи горещо олио може да причинят samozапалване.
- Внимавайте за завесите и покривките по време на готвене на храни, като при пържене, защото олиото може да ги запали.
- Уверете се, че филтрите се сменят своевременно. Ненавременно сменени/почистени филтри крият опасност от риск за пожар, поради наслоена мазнина върху тях.
- Не използвайте вместо филтри материали, които не са устойчиви на топлина.
- Не използвайте аспиратора без алуминиевите филтри; не махайте филтрите, докато уредът работи.
- В случай на пожар прекъснете захранването на аспиратора и на печката. (Изключете уреда от контакта или прекъснете предпазителя).
- Изключвайте аспиратора по време на поддръжката му. (Изключете уреда от контакта или прекъснете предпазителя).
- Ако аспираторът и уред, работещ с енергия, различна от електрическата, работят едновременно, отрицателното налягане в стаята не трябва да бъде повече от 4 Pa.
- Ако на същото място, където е аспиратора се намира и уред използващ течно или газообразно гориво, този уред трябва да е херметически затворен.
- Ако отвеждате въздуха навън чрез комина, използвайте тръби с диаметър 120 или 150 мм. Тръбната връзка трябва да е максимално къса и да включва възможно най-малко завои.
- Използвайте прекъсвач с максимален ток 6 ампера при инсталацията на аспиратора за ваша безопасност.
- Ако кабелът е увреден, то той трябва да бъде заменен от оторизиран сервиз или от квалифициран техник, за да се избегнат опасни ситуации.
- В случай на пожар прекъснете захранването на уредите, задушете огъня; никога не използвайте вода.

## РАЗОПАКОВАНЕ НА УРЕДА

- След разопаковане на уреда, проверете дали при транспортирането не е увреден и дали е напълно окомплектован!
- В случай че бъде констатирана повреда или непълна доставка, свържете се с Вашия упълномощен продавач!
- Не изхвърляйте оригиналната кутия! Тя би могла да се използва за съхранение и транспортиране, за да се избегнат повреди от превозването!
- Изхвърлянето на опаковъчния материал трябва да става по подходящ начин! Децата трябва да се пазят да не си играят с полиетиленовите торби!

## СЪДЪРЖАНИЕ НА КАШОНА

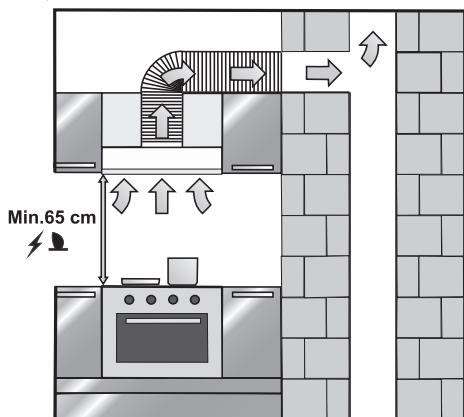
Окомплектовката може да варира според съответния модел:

### СН 1760 1Т IX

- Аспиратор СН 1760 1Т IX
- Комплект алуминиеви филтри
- Горно и долно коминно тяло
- Планка за фиксиране на аспиратора
- Планки за фиксиране на коминните тела
- Възвратна клапа
- Гъвкава тръба
- Преходник Ø150 mm - Ø120 mm
- Монтажен комплект
- Инструкция за експлоатация
- Гаранционна карта
- Енергиен етикет
- Продуктов фиш

## ОПРЕДЕЛЯНЕ НА МЯСТОТО ЗА МОНТАЖ НА АСПИРАТОРА

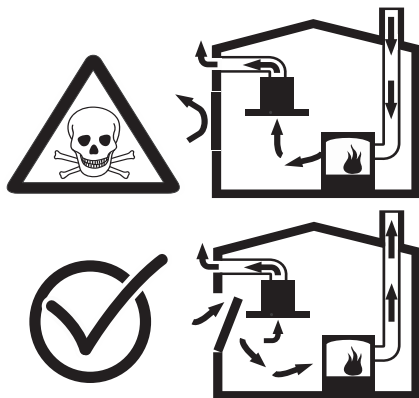
При монтаж на аспиратора трябва да се съблюдава отстояние от най-малко 65 cm между него и повърхността, върху която се поставят съдовете за готвене.



Фигура 1 – изискване за минимално отстояние от работната повърхност

### ⚠ РИСК ОТ ОТРАВЯНЕ И СМЪРТ!

Съществува опасност от отравяне породена от вдишване на изгорели газове. Не използвайте уреда едновременно с устройства, отделящи отровни газове чрез комин, като напр. печки работещи на газ, въглища, нафта или дърва, освен ако не е осигурена достатъчна вентилация. Такъв тип отоплителни уреди използват въздух за горене от мястото на инсталиране и изпускат изгорелите газове през димоотводна система (комин). Въздухът се изсмуква от кухнята или съседното помещение при работещ аспиратор. Получава се вакуум, ако не е осигурен приток на свеж въздух. В такъв случай отработените газове си засмукват обратно в помещението. По тази причина е необходимо да се осигури подходящо проветряване на помещението.



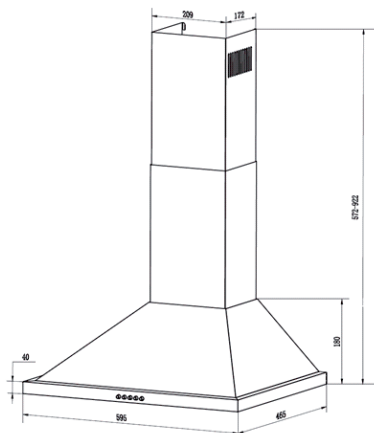
### ⚠ РИСК ОТ ПОЖАР!

Монтирането на уреда над устройство изгарящо твърдо гориво (дърва или въглища) се разрешава само ако е налице неразглобяващо се устройство. Необходимо е да се спазват местните регулации по отношение на електрическата мрежа.

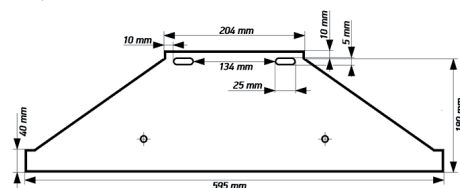
Ако уредът не е почистен в съответствие с инструкциите за почистване е възможно да засмуче искри или други малки горящи частици и да възникне пожар.

## ИНСТРУКЦИЯ ЗА МОНТАЖ

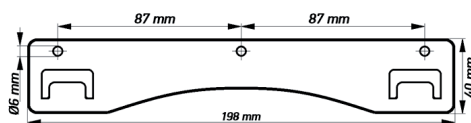
Аспираторите каминен тип от серия СН са предназначени да се монтират на стена. На фигура 3 долу са изобразени отстоянията за монтажните отвори.



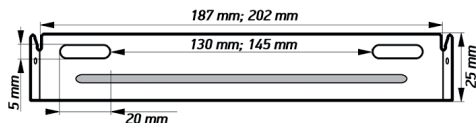
Фигура 2 – Размери на SL 1760 1M IX



Фигура 3 – Схема на монтажните отвори



Фигура 4 – Схема на монтажната планка за аспиратора

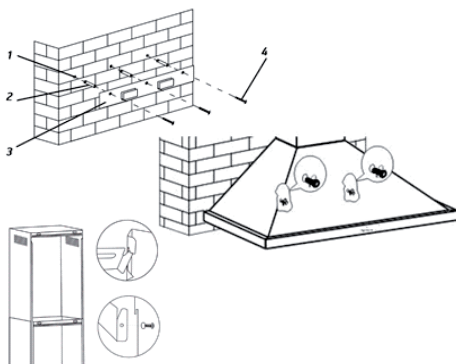


Фигура 5 – Схема на монтажна планка за коминни тела

Закрепване на монтажната планка и аспиратора към стената:

- Маркирайте на стената и пробийте поне 2 отвора (за предпочитане външните) с диаметър Ø8 mm за планката за окачване на аспиратора.
- Поставете пластмасовите дюбели в пробитите в стената отвори.
- Закрепете планката на стената с винтовете.

- Завийте винтовете докрай.
- Окачете аспиратора на планката.
- Маркирайте долните отвори.
- Свалете аспиратора от планката.
- Пробийте 2 дупки с диаметър Ø8 mm и поставете дюбелите в дупките.
- Окачете уреда на планката.
- Завийте винтовете в долните отвори, за да укрепите уреда към стената. Уверете се, че аспиратора е здраво закрепен към стената.
- Маркирайте жлебовете на двете монтажни планки за двете коминни тела в зависимост от необходимата височина. Имайте предвид, че планката за долното коминно тяло е по-дълга от тази за горното.
- Пробийте дупките и поставете дюбелите в тях.
- Фиксирайте планките към стената с винтове.
- Свържете гъвкавата алуминиева тръба към изхода на аспиратора и дымоотвода, като имате предвид, че огъванията и завоите намаляват абсорбиращата мощност и е добре да ги сведете до минимум.
- Уверете се, че връзката няма да се разхлаби когато уреда работи на максимална мощност.
- Монтирайте коминните тела и ги фиксирайте с винтове.



Фигура 6 – монтаж на аспиратора



### РИСК ОТ ТОКОВ УДАР!

Не прегъвайте или притискайте хранящия шнур по време на монтаж! Рискувате да го повредите.

**РИСК ОТ НАРАНЯВАНЕ!**

Съществува риск от нараняване по време на монтаж, дължащ се на остри ръбове. Винаги използвайте предпазни ръкавици по време на монтаж.

Всички предпазни болтове и предпазни покрития трябва да се монтират, както е описано в инструкцията, тъй като съществува риск от падане.

**УПОТРЕБА НА АСПИРАТОРА**

Достъпните части могат да станат горещи по време на работа на уреда в комбинация с работещи котлони под него.

Управлението на аспиратора СН 1760 1Т IX се осъществява с петте кръгли бутона, разположени на предния панел на аспиратора за удобство и лесен достъп. Най-десният е за включване/изключване на осветлението, а останалите четири служат за управление на скоростите на вентилация. С натискане на бутона OFF аспиратора се изключва.



Фигура 7 – бутони за управление на СН 1760 1Т IX

Описание на функционалните бутони, изобразени на фигура 7

- ⊙ – Бутон за изключване вентилацията
- ① – 1ва скорост на вентилация
- ② – 2ра скорост на вентилация
- ③ – 3та скорост на вентилация
- ⊙ – Бутон за включване/изключване на осветлението

При този модел имате възможност да включите аспиратора да работи на скоростта на вентилация, която искате, например на скорост III, или от I да преминете на III и обратно.

**ИЗПОЛЗВАНЕ НА АСПИРАТОРА С И БЕЗ ФИЛТЪР С АКТИВЕН ВЪГЛЕН**

Не използвайте уреда без филтри!

Аспираторите ТЕСИ от серия СН са предвидени за работа със стандартните алуминиеви филтри, както и с филтри с активен въглен, които могат да се закупят отделно.

При липса на димоотвод в помещението аспираторът трябва да се използва с филтър с активен въглен за пречистване на въздуха. Този филтърът не е включен в комплекта, но може да се закупи от Вашия доставчик или сервиз. В този случай на експлоатация филтърът трябва да се подменя с нов на всеки 3 до 5 месеца, в зависимост честотата от използването.

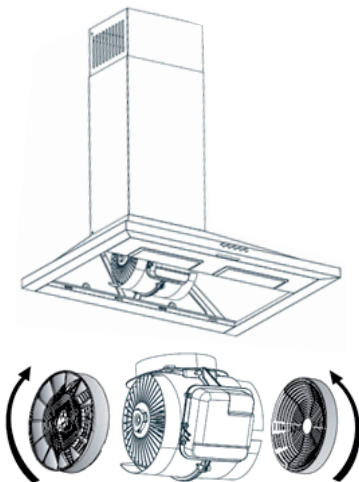


Никога не мийте филтъра с активен въглен. Пазете го далеч от деца деца.



Преди замяна на филтъра с активен въглен задължително изключете захранването на аспиратора чрез изваждане на шнура от контакта или изключване на предпазителя.

Филтрите с активен въглен са комплект (ляв и десен) и трябва да се съблюдават посоките при монтажа им.



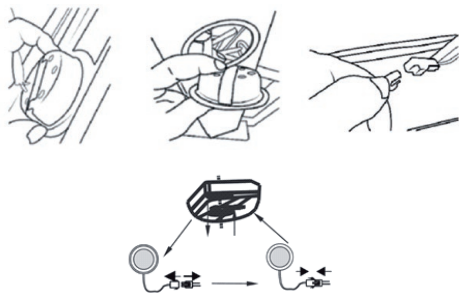
Фигура 8 – метод на инсталация на филтрите с активен въглен

## ПОДМЯНА НА ЛАМПА

**!** *Преди замяна на лампа изключете уреда от електрическата мрежа. Изчакайте лампата да се охлади, в противен случай може да се изгорите.*

Аспираторът CH 1760 1T IX има 2 броя 1.5W LED лампи. За да подмените дефектирала лампа следвайте следната процедура

- Свалете алуминиевите филтри.
- Стиснете горжинните скоби в горната част на лампата и избутайте надолу през основата на аспиратора.
- Разкачете конектора на лампата.
- Включете новата лампа.
- Монтирайте обратно лампата в основата.
- Монтирайте обратно алуминиевите филтри



Фигура 9 – подмяна на лампите

## ПОЧИСТВАНЕ И ПОДДРЪЖКА

**!** *Почистването и поддръжката на този електроуред не трябва да се изпълняват от деца!*

**!** *Повърхността може да бъде повредена, ако се използват остри или абразивни почистващи предмети или препарати. Никога не използвайте такива. Снабдете се с подходящи почистващи и предпазващи препарати от Вашия дилър. Повърхността на уреда и контролните елементи са чувствителни на надрасквания.*

Почистете повърхността с мека влажна кърпа, препарат за съдомиялни машини или мек почистващ препарат за стъкло. Не е подходящо използването на сухи кърпи, абразивни гъби, вещества изискващи триене, почистващи препарати, съдържащи пясък, сода, киселина или хлор или пък други силни препарати.

Почиствайте иноксовите повърхности само в посоката на триене.

Не използвайте почистващи препарати и мокри кърпи върху контролните елементи.

**!** *РИСК ОТ ИЗГЪРЯНЕ, РИСК ОТ ТОКОВ УДАР!  
Изчакайте докато уредът се охлади преди да го почистите. Изключете от контакта или предпазителите.  
Съществува риск от повреда причинена от проникване на влага в електронните части.  
Никога не почиствайте контролните елементи с влажна кърпа.*

### Почистване на алуминиевите филтри

Алуминиевите филтри захващат маслени частици, съдържащи се в отделяната пара при готвене. При нормална употреба (1-2 часа дневно), почиствайте алуминиевите филтри веднъж месечно.

Не използвайте прекалено силни, съдържащи киселина или хлор почистващи препарати.

Докато почиствате металния филтър също почистете задържащите механизми на металния филтър върху уреда с влажна кърпа.

Може да измиете металния филтър в съдомиялна или на ръка.

### Измиване на алуминиевите филтри в съдомиялна машина

В случай на измиване на алуминиевия филтър в съдомиялна машина, може да се появи леко избеляване. Това няма отражение върху функционалността на филтъра.

Не мийте силно замърсените алуминиеви филтри заедно другите съдове.

Поставете алуминиевите филтри в съдомиялната свободно или стоящи, без натиск върху тях.

## Измиване на алуминиевите филтри на ръка

Може да използвате разтворител на мазнини, за да премахнете упоритите петна.

Омокотете петната върху алуминиевия филтър с гореща вода с препарат за измиване на съдове.

Използвайте четка за почистване и изплакнете филтрите обилно с вода.

Оставете алуминиевите филтри да изсъхнат напълно преди да ги инсталирате обратно в аспиратора.



*Измивайте алуминиевия филтър редовно.*

*Може да се наложи Вашия аспиратор да работи на по-висока скорост, тъй като замърсените филтри ограничават въздушния поток.*

*Използвайте скоростите на уреда правилно.*

*Използването на високите нива на скорост увеличава консумацията на ток.*



**РИСК ОТ ПОЖАР, РИСК ОТ НАРАНЯВАНЕ!**

*В случай на повреда или извънредни ремонти изключете електроуреда от контакта или предпазителя и извикайте оторизиран сервиз! Ремонтите винаги трябва да се изпълняват от оторизирани сервиси или техници.*



*Ако захранващият шнур е повреден, то той трябва да бъде заменен от производителя или от оторизиран сервиз или квалифициран техник, за да се избегнат опасни ситуации. Ако крушките са повредени, изключете от контакта или предпазителя. За да избегнете претоварване на другите лампи, веднага заменете повредените (изчакайте докато лампите се охладят).*

## ОТОРИЗИРАНИ СЕРВИЗНИ НАМЕСИ

Ако осветлението не работи:

- Уверете се, че уредът е свързан към мрежата и предпазителите не са повредени.
- Проверете крушките. Уверете се, че уредът е изключен от мрежата, докато проверявате. Затегнете лампите, ако са разхлабени. Подменете ги, ако все още не работят.

**Възможни причини и действия, които да предприемете без да викаете сервизни работници.**

**Уредът не работи изобщо:**

- Проверете дали уредът е включен към захранването.
- Проверете предпазителите на уреда и главните предпазители в дома Ви.

**Ако уредът не работи на пълна мощност или издава шумни звуци докато работи:**

- Достатъчен ли е диаметърът на изходящите тръбопроводи? (мин. 120мм)
- Чисти ли са металните филтри? Проверете.
- Ако използвате уреда без извеждане на въздуха извън помещението, уверете се, че филтрите с активен въглен не са на повече от 6 месеца.
- Уверете се, че помещението е вентилирано добре и осигурява приход на въздух. Ако все още не сте удовлетворен от представянето на Вашия аспиратор, обърнете се към оторизиран сервиз.



## ДИАГНОСТИКА НА ПОВРЕДИ

Проблеми	Причина	Помощ
Уредът не работи.	Проверете електрическото свързване.	Захранването трябва да е 220-240V~ и уредът трябва да е включен към заземен контакт.
Вентилаторът не работи.	Проверете електрическото свързване.	Захранването трябва да е 220-240V~ и уредът трябва да е включен към заземен контакт.
Вентилаторът не работи.	Проверете електрическото свързване.	Ключът за вентилатора трябва да е включен.
Вентилаторът не работи.	Турбината е блокирана.	Изключете уреда от захранването и се свържете със сервиз.
Вентилаторът не работи.	Моторът е повреден.	Изключете уреда от захранването и се свържете със сервиз.
Осветлението не работи.	Проверете електрическото свързване.	Ключът за осветлението трябва да е включен.
Осветлението не работи.	Проверете електрическото свързване.	Захранването трябва да е 220-240V~ и уредът трябва да е включен към заземен контакт.
Осветлението не работи.	Проверете лампите.	Лампите трябва да са изправни.
Има сериозни вибрации в уреда.	Турбината е повредена.	Изключете уреда от захранването и се свържете със сервиз.
Има сериозни вибрации в уреда.	Моторът не е захванат стабилно.	Изключете уреда от захранването и се свържете със сервиз.
Има сериозни вибрации в уреда.	Уредът не е захванат коректно към стената / планката / кухненския шкаф.	Изключете уреда от захранването, откачете уреда от стената/скобата и фиксирайте коректно.
Изходящият поток е слаб.	Проверете алуминиевия филтър.	Алуминиевият филтър трябва да се измива един път месечно при нормална употреба.
Изходящият поток е слаб.	Проверете изходящата тръба.	Изходящата тръба трябва да е отворена.
Изходящият поток е слаб.	Проверете филтъра с активен въглен.	Ако се използва карбонов филтър, то той трябва да се сменя веднъж на 3 месеца при нормална употреба.
Не връща обратно въздух (При употреба без изходящ комин).	Проверете алуминиевия филтър.	Металният филтър трябва да се измива поне един път месечно при нормална употреба.
Не връща обратно въздух (При употреба без изходящ комин).	Проверете филтъра с активен въглен.	Ако се използва карбонов филтър, то той трябва да се сменя веднъж на 3 месеца при нормална употреба.

### Технически характеристики

Захранващо напрежение	220-240V~/50Hz
Клас на изолация на мотора	B
Клас на изолация	CLASS I



### Указания за опазване на околната среда

Старите електроуреди съдържат ценни материали и поради това не трябва да се изхвърлят заедно с битовата смет! Молим Ви да съдействате с активния си принос за опазване на ресурсите и околната среда и да предоставите уреда в организирани изкупвателни пунктове (ако има такива).

Vă mulțumim că ați ales aspirator electric TESY. Acesta este un dispozitiv care ajută la o atmosferă mai plăcută în bucătărie la pregătirea alimentelor. Cu o exploatare și îngrijirea corespunzătoare, așa cum este descris în aceste instrucțiuni, aparatul va va oferi mulți ani de funcționare utilă.



*Vă rugăm să citiți aceste instrucțiuni de utilizare înainte de a folosi aparatul și păstrați-le pentru a vă putea consulta ulterior. La schimbarea proprietarului, manualul de instrucțiuni trebuie să fie furnizat împreună cu aparatul.*

Aceste instrucțiuni de operare acoperă instalarea, operarea, întreținerea și curățarea următoarelor modele de hote electrice de uz casnic tip șemineu cu marca TESY:

- CH 1760 1T IX

## INSTRUCȚIUNI IMPORTANTE DE PRECAUȚIE ȘI INSTRUCȚIUNI DE SIGURANȚĂ:



*Copiii sub 3 ani trebuie păstrați la distanță, cu excepția cazului în care se află sub supraveghere continuă.*

*Copiii cu vârstă cuprinsă între 3 și 8 ani pot utiliza doar butonul pornire/oprire a aparatului, cu condiția ca aparatul să fie instalat și pregătit pentru funcționare normală și să fi fost observat și instruit să îl folosească în siguranță și să înțeleagă că acesta poate fi periculos.*

*Copiii cu vârsta cuprinsă între 3 și 8 ani nu trebuie să conecteze aparatul, să îl seteze, să îl curețe sau să îl întrețină.*

*Acest aparat poate să fie folosit de copii cu vârstă de minimum 8 ani și de persoane cu capacități fizice, senzoriale sau mintale reduse sau fără experiență și cunoștințe, dacă sunt supravegheate sau instruite cu privire la utilizarea în siguranță a aparatului și înțeleg riscurile implicate. Copiii trebuie supravegheați pentru a nu se juca cu aparatul. Curățarea și întreținerea aparatului nu trebuie să fie efectuată de copii fără ca acestea să fie supravegheați.*

## AVERTISMENTE ȘI PRECAUȚII

- Înainte de a porni aparatul, verificați dacă tensiunea de pe plăcuța de identificare corespunde tensiunii furnizate în locuința dvs. Tensiunea utilizabilă a aparatului dvs. este de 220-240 V ~/50 Hz.
- Acest aparat trebuie utilizat numai în scopul prevăzut. Aparatul nu este destinat scopurilor comerciale. Orice utilizare diferită este considerată incorectă și, prin urmare, periculoasă. Producătorul nu poate fi tras la răspundere pentru daunele rezultate din utilizarea necorespunzătoare și nerezonabilă. Nerespectarea informațiilor de siguranță va anula garanția!
- Nu părăsiți casa în timp ce aparatul este pornit. Asigurați-vă că este oprit.
- Cablul de alimentare al aparatului dvs. este echipat cu un ștecher cu împământare. Acest cablu trebuie conectat la o priză cu împământare. Dacă cablul de alimentare al acestui aparat este deteriorat, opriți utilizarea acestuia și contactați furnizorul / vânzătorul pentru instrucțiuni suplimentare.
- Nu striviți cablul și nu-l trageți peste muchii ascuțite. Nu-l amplasați deasupra unor plite încinse sau deasupra flăcărilor!
- Conectați cablul de alimentare astfel încât să nu împiedice circulația persoanelor și să nu fie călcat! Utilizați numai prelungitoare aprobate, care sunt adecvate pentru acest instrument, adică au semn de conformitate!
- Niciodată nu mutați aparatul trăgând de cablu și nu utilizați cablul pentru a transporta obiecte!

- Racordarea electrică trebuie efectuată de un tehnician calificat.
- Instalarea de către persoane neautorizate poate duce la scăderea performanțelor, deteriorarea aparatului sau accidentele.
- Nu conectați înainte ca conexiunea electrică să fie completată.
- Priza trebuie să fie accesibilă în orice moment, astfel încât ștecherul să poată fi eliberat cât mai curând posibil!
- Nu trageți niciodată cablul de alimentare sau aparatul însuși când opriți alimentarea.
- Dacă decideți să nu mai utilizați un dispozitiv de acest tip, se recomandă să - faceți inutilizabil, să tăiați cablul, după ce l-ați deconectat de la sursa de alimentare. Se recomandă toate pericolele asociate cu aparatul să fie protejate, în special pentru copiii care ar putea folosi dispozitivul amortizat (dispozitiv) pentru a se juca cu el.
- Nu atingeți lămpile dacă au fost aprinse de mult timp - vă pot arde mâinile deoarece vor fi fierbinți.
- Urmați regulile și instrucțiunile corespunzătoare pentru eliminarea aerului în aer liber.
- Trebuie să fie prevăzută o ventilație adecvată în încăperea în care aspiratorul este utilizat în același timp cu un aparat care arde gaz sau alt combustibil (Nu se aplică aparatelor care returnează aerul curat înapoi în încăpere).
- Există un pericol de incendiu dacă curățarea nu se realizează conform instrucțiunilor.
- Curățați în mod regulat aparatul, înainte de a îl deconecta de la rețea.
- Nu atingeți niciodată aparatul cu mâinile ude sau umede - există pericol pentru viață!
- Alimentele aprinse (flambe) nu trebuie găsite sub aspirator.
- Aerul curat nu trebuie să fie eliberat într-un coș de fum care este utilizat pentru a îndepărta gazele de evacuare de la aparatele care utilizează gaz sau alți combustibili (Nu se aplică aparatelor care returnează aerul curat înapoi în cameră).
- La instalare, trebuie respectată distanța minimă dintre suprafața plăcii fierbinți pe care sunt plasate vasele. Atunci când capota este amplasată deasupra unui aparat de uz casnic cu gaz, atunci distanța trebuie să fie de cel puțin 65 cm. Dacă instrucțiunile aragazului indică o distanță mai mare, această trebuie luată în considerare. Distanța de 65 de centimetri poate fi redusă pentru partile necombustibile ale hotelor și pentru piesele actionate în condiții de supratensiune în condiții de siguranță, iar în cazul deformării aceste parti nu vor permite accesul la componentele vii.
- Porniți aspiratorul după ce așezați tava, cratiță sau altă fel de recipient pe plită. În caz contrar, temperatura ridicată poate deforma unele părți ale hotei.
- Nu lăsați uleiul fierbinte pe aragaz. Containerele care conțin ulei fierbinte pot provoca auto-aprindere.
- Feriți-vă de perdele și fețele de masă în timpul gătirii, cum ar fi prăjirea, deoarece uleiul le poate aprinde.
- Asigurați-vă că filtrele se schimbă în timp. Filtrele schimbate/ curățate nu la timp prezintă riscul de apariție a riscului de incendiu din cauza răspândirii grăsimii peste ele.
- Nu utilizați materiale rezistente la căldură în locul filtrelor.
- Nu utilizați hota fără filtre de aluminiu; nu scoateți filtrele în timp ce aparatul funcționează.
- În caz de incendiu, deconectați hota și aragazul. (Deconectați aparatul de la priză sau întrerupeți siguranța).
- Opriți hota în timpul întreținerii. (Deconectați aparatul de la priză sau întrerupeți siguranța).
- Dacă hota și un aparat care funcționează cu energie, altă decât electrică, funcționează simultan, presiunea negativă din cameră nu trebuie să fie mai mare de 4 Pa.
- Dacă un aparat care utilizează un combustibil lichid sau gazos este amplasat în același loc cu hota, acest aparat trebuie să fie etanșat ermetic.
- Dacă scoateți aerul prin coșul de fum, utilizați țevi cu diametrul de 120 sau 150 mm. Conexiunea la țevă trebuie să fie cât mai scurtă posibil și să includă cât mai puține răsuciri.
- Utilizați un întrerupător cu un curent maxim de 6 amperi atunci când instalați capota pentru siguranța dvs.
- Dacă cablul este deteriorat, acesta trebuie înlocuit de un atelier autorizat sau de un tehnician calificat pentru a evita situațiile periculoase.
- În caz de incendiu, deconectați alimentarea de la aparat, fumați focul; nu folosiți niciodată apă.

## DEZAMBALAREA APARATULUI

- După despachetarea aparatului, verificați dacă nu a fost deteriorat în timpul transportului și este complet echipat!
- În cazul în care se constată deteriorare sau livrare incompletă, contactați Vânzătorul Dvs. autorizat!
- Nu aruncați cutia originală! Aceasta ar putea fi utilizată pentru depozitare și transportare, pentru a evita deteriorării de la transportare!
- Eliminarea materialului de ambalare trebuie să fie în mod adecvat! Copiii trebuie să fie supravegheate să nu se joace cu pungile de plastic!

## CONȚINUTUL BAXULUI

Componentele pot varia în funcție de modelul respectiv:

### CH 1760 1T IX

- Hota CH 1760 1T IX
- Set filtre de aluminiu
- Coșul superior și inferior
- Placă pentru fixarea hotei
- Plăci pentru fixarea corpurilor de coș
- Clapetă antiretur
- Tub flexibil
- Adaptor Ø150 mm - Ø120 mm
- Set de montare
- Manual de instrucțiuni
- Carte de garanție
- Eticheta energetică
- Fișa produsului

### DETERMINAREA LOCULUI DE INSTALARE A HOTEI

La instalarea hotei, trebuie respectat un spațiu de cel puțin 65 cm între aceasta și suprafața pe care sunt amplasate vasele de gătit.

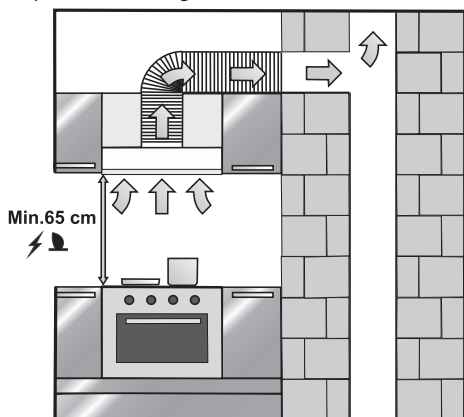
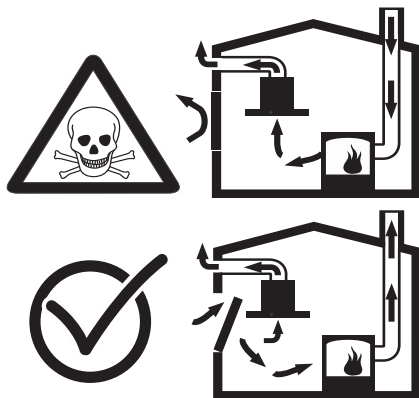


Figura 1 - Cerința privind distanța minimă de la suprafața de lucru



#### ATENȚIE! RISC DE OTRĂVIRE ȘI MOARTE!

Există riscul otrăvirii cauzate de inhalarea gazelor de eșapament. Nu utilizați aparatul în același timp cu dispozitivele care emit gaze otrăvitoare printr-un coș de fum, sobe operate pe gaz, cărbune, ulei sau lemn, cu excepția cazului în care există o ventilație adecvată. Acest tip de încălzitoare utilizează aer de ardere de la locul de instalare și emit gaze de eșapament printr-un sistem de coș de fum (coș de fum). Aerul este aspirat din bucătărie sau din camera învecinată la un aspirator în funcțiune. Se face un vacuum este dacă nu este furnizat aer proaspăt. În acest caz, gazul de eșapament este aspirat înapoi de la conductele de eșapament și în cameră. Din acest motiv, este necesar să se asigure ventilarea corespunzătoare a încăperii.



#### ATENȚIE! RISC DE INCENDIU!

Montarea aparatului peste un dispozitiv de ardere a combustibilului solid (lemn sau cărbune) este permisă numai dacă este disponibil un dispozitiv nedemontabil. Este necesar să se respecte reglementările locale cu privire la rețeaua electrică.

Dacă aparatul nu este curățat în conformitate cu instrucțiunile de curățare, este posibil să aspire scântei sau alte mici particule de ardere și poate apărea un incendiu.

### INSTRUCȚIUNI DE INSTALARE

Hotele tip șemineu din seria CH sunt proiectate pentru a fi montate pe un perete. Figura 3 de mai jos prezintă distanța între găurile de montare.

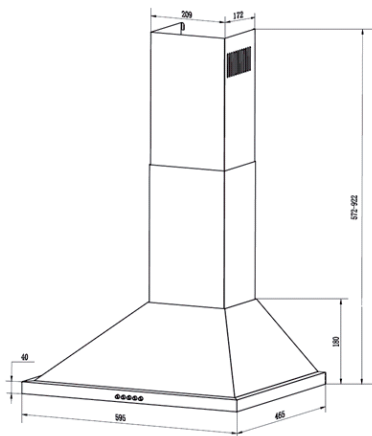


Figura 2 - Dimensiuni SL 1760 1M IX

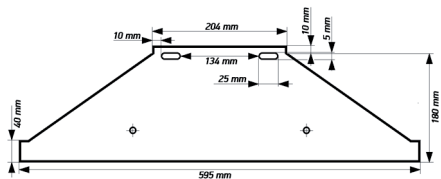


Figura 3 - Schema găurilor de montare

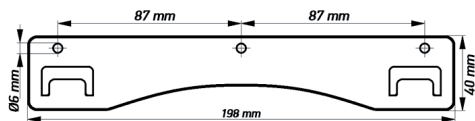


Figura 4 - Schema plăcii de montare pentru hotă

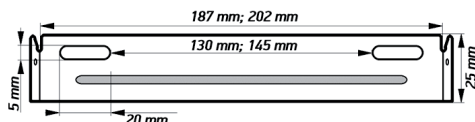


Figura 5 - Schema plăcii de montare pentru corpuri

Fixarea plăcii de montaj și hotei pe perete:

- Marcați pe perete și găuriți cel puțin 2 găuri (de preferință în exterior) cu un diametru de Ø8 mm pentru placa de capota a hotei.
- Așezați dopurile de plastic în orificiile găurite în perete.
- Atașați placa la perete cu șuruburile.
- Înșurubați șuruburile până la capăt.
- Așezați hota pe farfurie.
- Marcați găurile inferioare.
- Scoateți hota de pe placă.
- Faceți 2 găuri cu diametrul de 8 mm și introduceți diblurile în găuri.
- Așezați hota pe placă.
- Înșurubați șuruburile în orificiile inferioare pentru a fixa aparatul la perete. Asigurați-vă că hota este fixată ferm pe perete.
- Marcați canelurile celor două plăci de montaj pentru cele două coșuri, în funcție de înălțimea necesară. Rețineți că placa pentru corpul inferior este mai lungă decât cea pentru cel superior.
- Faceți găurile și puneți diblurile în ele.
- Fixați plăcile pe perete cu șuruburi.
- Conectați tubul de aluminiu flexibil la orificiul de evacuare al hotei și al coșului de fum, luând în considerare faptul că îndoirile și curbele reduc puterea de absorbție și ar trebui să fie reduse la minimum.
- Asigurați-vă că conexiunea nu se va desface când unitatea funcționează la putere maximă.
- Montați corpurile de coș și fixați-le cu șuruburi.

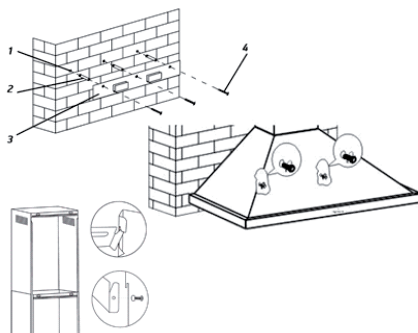


Figura 6 - Instalarea hotei

**PERICOL DE SCURT-CIRCUIT!**

Nu îndoșiți și nu prindeți cablul de alimentare în timpul instalării! Riscați să-I deteriorați.

**RISC DE RĂNIRE!**

Există riscul rănirii în timpul instalării datorită marginilor ascuțite. Utilizați întotdeauna mănuși de protecție în timpul instalării.

Toate șuruburile de siguranță și capacele de protecție trebuie montate așa cum este descris în instrucțiune, deoarece există riscul căderii.

**UTILIZAREA HOTEI**

Piesele accesibile se pot încălzi în timpul funcționării aparatului în combinație cu o plită în lucru sub acesta.

Comand hotei CH 1760 1T IX se face prin cele cinci butoane rotunde amplasate pe panoul frontal al hotei pentru a vă asigura accesul facil și ușor. Cel mai drept este pentru activarea/dezactivarea luminii, iar celelalte patru pentru a controla vitezele de ventilație. Prin apăsarea butonului OFF, hota se oprește.



Figura 7 - butoane de control al CH 1760 1T IX

O descriere a butoanelor funcționale descrise în pe figura 7:

⊖ – Butonul de oprire a ventilației

① – viteza 1 de ventilație


② – viteza 2 de ventilație

③ – viteza 3 de ventilație

⊕ – Buton de pornire/oprire a luminii

La acest model aveți opțiunea de a activa hota pe viteza ventilatorului dorită, de exemplu la viteza III sau de la I pentru a comuta la III și invers.


## RO UTILIZAREA HOTEI CU ȘI FĂRĂ FILTRUL CU CARBUNE ACTIV

 Nu utilizați aparatul fără filtre!

Hotele TESI din seria CH sunt proiectate să funcționeze cu filtre de aluminiu standard, precum și cu filtre de carbon activ care pot fi achiziționate separat.

În absența unui coș de fum în cameră, hota trebuie folosită cu un filtru de carbon activ pentru a curăța aerul. Acest filtru nu este inclus în set, dar poate fi achiziționat de la distribuitorul dvs. sau furnizorul de servicii. În acest caz de exploatare, filtrul trebuie înlocuit la fiecare 3 la 5 luni, în funcție de frecvența utilizării.

 Nu spălați niciodată filtrul cu carbon activ. A nu se lăsa la îndemâna copiilor.

 Înainte de a înlocui filtrul de carbon activ, deconectați alimentarea aspiratorului scoțând cablul de la priză sau oprind siguranța.

Filtrele cu carbon activ sunt seta (stâng și dreapta) și trebuie respectate direcțiile la instalarea lor.

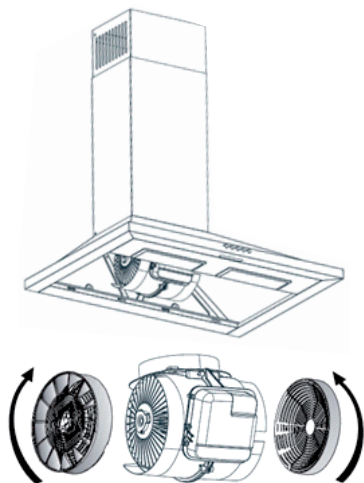



Figura 8 - metoda de instalare a filtrelor cu carbon

Montarea filtrelor de carbon activ se realizează după cum urmează

1. Plasați filtrul pe poziție
2. Rotiți în sensul acelor de ceasornic pentru a-l fixa pe loc.

Demontarea are loc în ordine inversă.

## ÎNLOCUIREA BECULUI

 Înainte de a înlocui becul, deconectați aparatul de la priză. Așteptați ca lampa să se răcească, altfel vă puteți arde.

Hota CH 1760 1T IX are 2 becuri LED de 1,5W. Pentru a înlocui o becul defect, urmați procedura de mai jos:

- Scoateți filtrele din aluminiu.
- Strângeți clemele de primăvară din partea de sus a becului și împingeți partea inferioară a hotei.
- Deconectați conectorul becului.
- Porniți noul bec.
- Montați înapoi becul la bază.
- Reinstalați filtrele de aluminiu

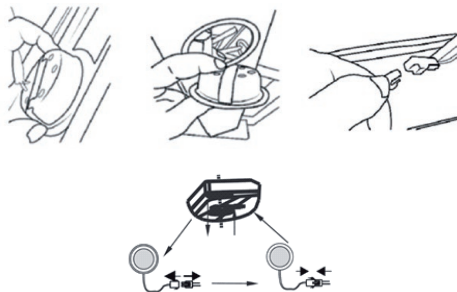



Figura 9 - înlocuirea becurilor

## CURĂȚARE ȘI ÎNTREȚINERE

 Curățarea și întreținerea acestui aparat nu trebuie efectuate de copii!

 Suprafața poate fi deteriorată dacă se utilizează produse sau preparate de curățat abrazive sau ascuțite. Nu le folosiți niciodată. Obțineți detergenții și produsele adecvate de la distribuitorul dvs. Suprafața aparatului și elementele de control sunt sensibile la zgâriere.

Curățați suprafața cu o cârpă moale umedă, cu un detergent pentru mașina de spălat vase sau un produs de curățare ușoară a sticlei. Nu este indicat să folosiți cârpe uscate, bureți abrazivi, substanțe de fricțiune, agenți de curățare care conțin nisip, bicarbonat de sodiu, acid sau clor sau alte preparate puternice.

Curățați numai suprafețele de inox în direcția frecării.

Nu utilizați detergenți și șervețele umede pe elementele de comandă.

**RISC DE ARDERE, RISC DE ELECTROCUTARE!**

Așteptați ca aparatul să se răcească înainte de a-l curăța. Deconectați priză sau siguranțele. Există riscul de deteriorare cauzată de pătrundere de umiditate în componentele electronice. Nu curățați niciodată elementele de comandă cu o cârpă umedă.

**Curățarea filtrelor de aluminiu**

Filtrele din aluminiu prind particulele grase conținute în abur, eliberate când se gătește. În cazul utilizării normale (1-2 ore pe zi), curățați filtrele de aluminiu o dată pe lună.

Nu utilizați detergenți excesiv de puternici sau cu conținut de clor.

În timpul curățării filtrului metalic, curățați și dispozitivele de fixare a filtrului metalic de pe aparat cu o cârpă umedă.

Puteți spăla filtrul metalic într-o mașină de spălat vase sau manual.

**Spălarea filtrelor de aluminiu într-o mașină de spălat vase**

În cazul spălării filtrului de aluminiu într-o mașină de spălat vase, poate apărea o ușoară albire. Acest lucru nu afectează funcționalitatea filtrului.

Nu spălați filtrele de aluminiu foarte poluate împreună cu alte vase.

Puneți filtrele de aluminiu în mașină de spălat vase fără a fi supuse presiunii.

**Spălarea filtrelor de aluminiu manual**

Puteți utiliza un solvent de grăsimi pentru a elimina petele.

Se înmoaie petele de pe filtrul cu apă caldă din aluminiu cu detergent de spălat vase.

Utilizați o pensulă pentru a curăța și clătiți bine filtrele cu apă.

Lăsați filtrele de aluminiu să se usuce complet înainte de a le instala înapoi în hota.



*Spălați filtrul de aluminiu în mod regulat. Este posibil ca hota dvs. să funcționeze la viteze mai mari, deoarece filtrele contaminate limitează fluxul de aer.*

*Utilizați corect vitezele aparatului.*

*Utilizarea vitezelor mari crește consumul de curent.*

**RISC DE INCENDIU, RISC DE PREJUDICIU!**

În cazul unei defecțiuni sau revizii, deconectați aparatul de la priză sau siguranțe și apelați un centru de service autorizat!

Reparațiile trebuie efectuate întotdeauna de către reparatori sau tehnicieni autorizați.



*Dacă cablul de alimentare este deteriorat, acesta trebuie înlocuit de producător sau de un atelier autorizat sau de un tehnician calificat, pentru a evita situațiile periculoase.*

*Dacă becurile sunt deteriorate, deconectați-le de la priză sau siguranțe. Pentru a evita supraîncălzirea celorlalte lămpi, înlocuiți imediat lămpile deteriorate (așteptați până când lămpile se răcesc).*

**INTERVENȚII DE SERVICE AUTORIZATE**

Dacă lumina nu funcționează:

- Asigurați-vă că aparatul este conectat la rețea și că siguranțele nu sunt deteriorate.
- Verificați becurile. Asigurați-vă că aparatul este deconectat de la sursa de alimentare. Strângeți becurile dacă sunt libere. Înlocuiți-le dacă nu lucrează încă.

**Posibile cauze și acțiuni pe care le puteți lua fără a apela la service.****Aparatul nu funcționează deloc:**

- Verificați dacă aparatul este conectat la circuitul de alimentare cu energie electrică.
- Verificați siguranțele și siguranțele principale ale unității.

**Dacă unitatea nu funcționează la putere completă sau produce sunete zgomotoase în timpul funcționării:**

- Diametrul țevilor de ieșire este suficient? (min. 120mm)
- Filtrele metalice sunt curate? Verificați.
- Dacă utilizați aparatul fără a îndepărta aerul din afara încăperii, asigurați-vă că filtrele de cărbune nu sunt mai vechi de 6 luni.
- Asigurați-vă că încăperea este bine ventilată și asigură fluxul de aer. Dacă nu sunteți încă mulțumit de performanța hotei, contactați un centru de service autorizat.

## DIAGNOSTICAREA DEFECȚIUNILOR

Probleme	Cauză	Ajutor
Aparatul nu funcționează.	Verificați conexiunea electrică.	Alimentarea trebuie să fie de 220-240 V~, iar aparatul trebuie să fie conectat la o priză cu împământare.
Ventilatorul nu funcționează.	Verificați conexiunea electrică.	Alimentarea trebuie să fie de 220-240 V~, iar aparatul trebuie să fie conectat la o priză cu împământare.
Ventilatorul nu funcționează.	Verificați conexiunea electrică.	Comutatorul ventilatorului trebuie să fie pornit.
Ventilatorul nu funcționează.	Turbina este blocată.	Deconectați aparatul de la sursa de alimentare și contactați un service.
Ventilatorul nu funcționează.	Motorul este deteriorat.	Deconectați aparatul de la sursa de alimentare și contactați un service.
Lumina nu funcționează.	Verificați conexiunea electrică.	Cheia pentru lumina trebuie să fie pornită.
Lumina nu funcționează.	Verificați conexiunea electrică.	Alimentarea trebuie să fie de 220-240 V~, iar aparatul trebuie să fie conectat la o priză cu împământare.
Lumina nu funcționează.	Verificați luminile.	Lămpile trebuie să fie funcționale.
Există vibrații serioase în aparat.	Turbina este deteriorată.	Deconectați aparatul de la sursa de alimentare și contactați un service.
Există vibrații serioase în aparat.	Motorul nu este cuplat ferm.	Deconectați aparatul de la sursa de alimentare și contactați un service.
Există vibrații serioase în aparat.	Aparatul nu este fixat în siguranță la perete / placă / dulap de bucătărie.	Deconectați aparatul de la priză, dați jos aparatul de pe perete/suport și fixați corect.
Fluxul de ieșire este slab.	Verificați filtrul de aluminiu.	Filtrul de aluminiu trebuie spălat o dată pe lună în condiții normale de utilizare.
Fluxul de ieșire este slab.	Verificați conducta de evacuare.	Conducta de evacuare trebuie să fie deschisă.
Fluxul de ieșire este slab.	Verificați filtrul cu carbon activ.	Dacă se utilizează un filtru de carbon, acesta trebuie înlocuit o dată la 3 luni în condiții normale de utilizare.
Nu întoarce aerul înapoi (când este folosit fără coș de evacuare).	Verificați filtrul de aluminiu.	Filtrul de aluminiu trebuie spălat o dată pe lună în condiții normale de utilizare.
Nu întoarce aerul înapoi (când este folosit fără coș de evacuare).	Verificați filtrul cu carbon activ.	Dacă se utilizează un filtru de carbon, acesta trebuie înlocuit o dată la 3 luni în condiții normale de utilizare.

### Specificații tehnice

Tensiune de alimentare	220-240V~/50Hz
Clasa de izolație a motorului	B
Clasa de izolație	CLASS I



### Instrucțiuni privind protecția mediului înconjurător

Aparatele electrice uzate sunt materiale valoroase, motiv pentru care nu trebuie aruncate împreună cu alte deșeuri menajere! Vă rugăm să spijiniți și să participați la protejarea resurselor naturale și a mediului înconjurător prin predarea acestui aparat în centrele specializate de preluare a acestora (dacă există).



Σας ευχαριστούμε που επιλέξατε τον ηλεκτρικό απορροφητήρα TESY. Αυτό είναι ένα προϊόν που συμβάλλει σε μια ευχάριστη ατμόσφαιρα στην κουζίνα κατά την προετοιμασία των τροφίμων. Με τη σωστή λειτουργία και φροντίδα όπως περιγράφεται σε αυτές τις οδηγίες, η συσκευή θα σας παρέχει πολλά χρόνια χρήσιμης λειτουργίας.

Οι παρούσες οδηγίες χρήσης αφορούν την εγκατάσταση, τη λειτουργία, τη συντήρηση και τον καθαρισμό του ηλεκτρικού απορροφητήρα καμινάδας οικιακής χρήσης.

- CH 1760 1T IX



Παρακαλούμε, διαβάστε αυτές τις οδηγίες πριν τη χρήση της συσκευής και διατηρήστε τις για μελλοντική χρήση. Σε περίπτωση που αυτή αλλάξει ιδιοκτησία, το εγχειρίδιο χρήσης πρέπει να παραχωρηθεί στο νέο ιδιοκτήτη μαζί με τη συσκευή.

#### ΣΗΜΑΝΤΙΚΕΣ ΠΡΟΦΥΛΑΞΕΙΣ ΚΑΙ ΟΔΗΓΙΕΣ ΑΣΦΑΛΕΙΑΣ:



**Πρέπει να κρατάτε μακριά παιδιά κάτω των 3 ετών, εκτός εάν τα επιτηρείτε συνεχώς.**

Παιδιά ηλικίας από 3 έως 8 ετών μπορούν να χρησιμοποιούν το διακόπτη on/off της συσκευής, υπό την προϋπόθεση ότι η συσκευή έχει εγκατασταθεί και είναι έτοιμη για κανονική λειτουργία και τα παιδιά επιτηρούνται και γνωρίζουν τις οδηγίες ασφαλούς χρήσης, κατανοώντας ότι η αμέλεια αποτελεί κίνδυνο

Παιδιά ηλικίας από 3 έως 8 ετών δεν θα πρέπει να συνδέουν τη συσκευή στην πρίζα, να την ρυθμίζουν, να την καθαρίζουν ή να εκτελούν εργασίες συντήρησης

Αυτή η συσκευή μπορεί να χρησιμοποιηθεί από παιδιά ηλικίας 8 ετών και πάνω και από άτομα με περιορισμένες σωματικές, αισθητήριες ή διανοητικές ικανότητες ή από άτομα χωρίς εμπειρία και γνώση, με την προϋπόθεση ότι τη χρησιμοποιούν υπό επιτήρηση ή ότι έχουν λάβει οδηγίες σχετικά με την ασφαλή χρήση της συσκευής και κατανοούν τους ενεχόμενους κινδύνους. Τα παιδιά δεν πρέπει να παίζουν με τη συσκευή. Τα παιδιά δεν πρέπει να καθαρίζουν και να συντηρούν τη συσκευή χωρίς επιτήρηση.

#### ΠΡΟΕΙΔΟΠΟΙΗΣΕΙΣ ΚΑΙ ΜΕΤΡΑ ΑΣΦΑΛΕΙΑΣ

- Πριν συνδέσετε τη συσκευή - βεβαιωθείτε ότι η τάση του οικιακού σας δικτύου αντιστοιχεί σε εκείνη που αναγράφεται στην ταμπέλα της συσκευής. Η τάση χρήσης της συσκευής σας είναι 220–240 V~/50Hz.
- Αυτή η συσκευή πρέπει να χρησιμοποιείται μόνο για το σκοπό για τον οποίο προοριζόταν. Η συσκευή δεν προορίζεται για εμπορικούς σκοπούς. Οποιαδήποτε διαφορετική χρήση θεωρείται εσφαλμένη και κατά συνέπεια επικίνδυνη. Ο κατασκευαστής δεν μπορεί να θεωρηθεί υπεύθυνος για οποιοσδήποτε ζημιάς που προκλήθηκαν από ακατάλληλη και παράλογη χρήση. Η μη συμμόρφωση με τις πληροφορίες ασφαλείας θα ακυρώσει την εγγύηση της συσκευής!
- Μην βγείτε από το σπίτι σας όταν η συσκευή είναι ενεργοποιημένη. Βεβαιωθείτε ότι είναι απενεργοποιημένη.
- Το καλώδιο τροφοδοσίας της συσκευής σας είναι εξοπλισμένο με γειωμένο φις. Αυτό το καλώδιο πρέπει να συνδέεται σε μια γειωμένη πρίζα. Εάν το καλώδιο τροφοδοσίας της συσκευής έχει υποστεί ζημιά, διακόψτε τη χρήση και επικοινωνήστε με τον προμηθευτή/ πωλητή σας για περαιτέρω οδηγίες.
- Μην λυγίζετε το καλώδιο ρεύματος και κρατάτε το μακριά από αιχμηρές άκρες. Μη τοποθετείτε τη συσκευή πάνω σε ζεστές επιφάνειες ή γυμνές φλόγες!
- Τοποθετείτε το καλώδιο τροφοδοσίας έτσι ώστε να μην εμποδίζει το ελεύθερο πέρασμα των προσώπων

και να μην πατιέται! Χρησιμοποιείτε μόνο εγκεκριμένα καλώδια επέκτασης, κατάλληλα για την συσκευή, δηλ. που έχουν σήμα πιστότητας!

- Ποτέ μην μετακινείτε τη συσκευή, τραβώντας την από το καλώδιο, καθώς μην χρησιμοποιείτε το καλώδιο για να μεταφέρετε αντικείμενα!
- Η ηλεκτρική σύνδεση πρέπει να εκτελείται από εξειδικευμένο τεχνικό.
- Η εγκατάσταση από μη εξουσιοδοτημένα άτομα μπορεί να οδηγήσει σε μείωση της παραγωγικότητας, βλάβες στη συσκευή ή ατυχήματα.
- Μην συνδέετε στην πρίζα πριν ολοκληρωθεί η ηλεκτρική σύνδεση.
- Η πρίζα πρέπει να είναι προσβάσιμη ανά πάσα στιγμή ώστε να μπορεί αφαιρεθεί όσο το δυνατόν γρηγορότερα!
- Ποτέ μην τραβάτε το καλώδιο τροφοδοσίας ή την ίδια τη συσκευή κατά την αποσύνδεση από το δίκτυο.
- Σε περίπτωση που έχετε αποφασίσει να σταματήσετε να χρησιμοποιείτε τη συσκευή αυτού του τύπου, συνιστάται να καταστεί άχρηστο καθώς κόψετε το καλώδιο, αφού πρώτα το έχετε αποσυνδέσει από το δίκτυο. Συνιστάται ακόμα να προστατευθείτε από όλους τους κινδύνους που συνδέονται με τη συσκευή, ειδικά για χάριν των παιδιών που θα μπορούσαν να χρησιμοποιήσουν την παλιά συσκευή ως παιχνίδι.
- Μην αγγίζετε τις λάμπες όταν είναι αναμμένες για αρκετή ώρα - μπορούν να βλάψουν τα χέρια σας, καθώς θα καίνε.
- Ακολουθήστε τους ισχύοντες κανόνες και κατευθύνσεις για τη διαχείριση του αέρα.
- Πρέπει να παρέχεται επαρκής εξαερισμός στο χώρο όπου χρησιμοποιείται ο απορροφητήρας ταυτόχρονα με μια συσκευή που καίει αέριο ή άλλο καύσιμο (Δεν ισχύει για συσκευές που επιστρέφουν τον καθαρισμένο αέρα πίσω στο δωμάτιο).
- Υπάρχει κίνδυνος πυρκαγιάς εάν ο καθαρισμός δεν γίνεται σύμφωνα με τις οδηγίες.
- Καθαρίζετε τακτικά τη συσκευή, καθώς απαιτείται προηγούμενης η αποσύνδεση από το ηλεκτρικό δίκτυο.
- Ποτέ μην αγγίζετε τη συσκευή με βρεγμένα ή υγρά χέρια - υπάρχει κίνδυνος για τη ζωή!
- Φαγητά φλαμπέ δεν θα πρέπει να μαγειρεύονται κάτω από τον απορροφητήρα.
- Ο καθαρισμένος αέρας δεν πρέπει να διοχετεύεται μέσω καπνοδόχου που χρησιμοποιείται για την απομάκρυνση καπνών που παράγονται από συσκευές που καταναλώνουν φυσικό αέριο ή άλλα καύσιμα (Δεν ισχύει για συσκευές που επιστρέφουν τον καθαρισμένο αέρα πίσω στο δωμάτιο).
- Κατά την εγκατάσταση πρέπει να τηρείται η ελάχιστη απόσταση μεταξύ της επιφάνειας της εστίας στην οποία τοποθετούνται τα μαγειρικά σκεύη. Όταν ο απορροφητήρας βρίσκεται πάνω από μια οικιακή συσκευή που καταναλώνει αέριο, τότε η απόσταση

πρέπει να είναι τουλάχιστον 65 cm. Εάν οι οδηγίες της εστίας αερίου απαιτούν μεγαλύτερη απόσταση, αυτή θα πρέπει να ληφθεί υπόψη. Η απόσταση των 65 cm μπορεί να μειωθεί για τα μη εύφλεκτα μέρη του απορροφητήρα και για τα εξαρτήματα που λειτουργούν με εξαιρετικά χαμηλή τάση ασφαλείας, καθώς σε περίπτωση παραμόρφωσης αυτά τα μέρη δεν θα επιτρέψουν την πρόσβαση στα υπό τάση μέρη.

- Ενεργοποιήστε τον απορροφητήρα αφού έχετε τοποθετήσει τηγάνι, κατσαρόλα ή άλλο σκεύος στην εστία. Διαφορετικά, η υψηλή θερμοκρασία μπορεί να παραμορφώσει ορισμένα μέρη του απορροφητήρα.
- Μην αφήνετε καυτό λάδι στην εστία. Τα μαγειρικά σκεύη που περιέχουν καυτό λάδι μπορούν να προκαλέσουν αυτοανάφλεξη.
- Προσέξτε κουρτίνες και καλύμματα κατά το μαγείρεμα γευμάτων, π.χ. κατά το τηγάνισμα, επειδή το λάδι μπορεί να αναφλεγεί.
- Βεβαιωθείτε ότι τα φίλτρα αντικαθίστανται εγκαίρως. Τα φίλτρα που δεν αντικαθίστανται εγκαίρως μπορούν να προκαλέσουν πυρκαγιά λόγω των λιπών που συσσωρεύονται σε αυτά.
- Μη χρησιμοποιείτε αντί του φίλτρου υλικά φιλτραρίσματος που δεν είναι πυρίμαχα.
- Μη χρησιμοποιείτε τον απορροφητήρα χωρίς αλουμίνιοφίλτρο και μην αφαιρείτε τα φίλτρα όταν η συσκευή βρισκείται σε λειτουργία.
- Σε περίπτωση φλόγας διακόψτε την παροχή ρεύματος στον απορροφητήρα και τις συσκευές μαγειρέματος (Αποσυνδέστε τον απορροφητήρα από την πρίζα ή διακόψτε την ασφάλεια).
- Διακόψτε την παροχή ρεύματος πριν από τη διαδικασία συντήρησης. (Αποσυνδέστε τον απορροφητήρα από την πρίζα ή διακόψτε την ασφάλεια).
- Όταν ο απορροφητήρας και συσκευές που δουλεύουν με ενέργεια εκτός της ηλεκτρικής λειτουργούν συγχρόνως η αρνητική πίεση στο χώρο δεν πρέπει να υπερβαίνει τα 4 Pa.
- Αν στον ίδιο χώρο με τον απορροφητήρα υπάρχει συσκευή που λειτουργεί με υγρό ή αέριο καύσιμο, η εξάτμιση αυτής της συσκευής θα πρέπει να είναι εντελώς μονωμένη και η συσκευή στεγανού τύπου.
- Όταν στον απορροφητήρα συνδέεται καμινάδα, χρησιμοποιούνται αεραγωγοί διαμέτρου 120 ή 150 mm. Η σύνδεση αεραγωγών πρέπει να είναι όσο το δυνατόν μικρότερη, με ελάχιστες κάμψεις.
- Χρησιμοποιήστε ασφάλεια MAX 6 A στην εγκατάσταση του απορροφητήρα για την ασφάλειά σας.
- Αν το καλώδιο τροφοδοσίας είναι κατεστραμμένο, πρέπει να αντικατασταθεί από τον πάροχο σέρβις ή από εξειδικευμένο προσωπικό για την αποφυγή επικίνδυνων καταστάσεων.
- Σε περίπτωση φλόγας, διακόψτε την παροχή ρεύματος στον απορροφητήρα και τις συσκευές μαγειρέματος. Σκεπάστε τη φλόγα. Ποτέ μη χρησιμοποιείτε νερό για να τη σβήσετε.

## ΑΠΟΣΥΣΚΕΥΑΣΙΑ ΤΗΣ ΣΥΣΚΕΥΗΣ

- Μετά την αφαίρεση από τη συσκευασία, ελέγξτε εάν έχει υποστεί ζημιά κατά τη μεταφορά και εάν είναι πλήρως εξοπλισμένη!
- Σε περίπτωση ζημιάς ή ελλιπούς παράδοσης, επικοινωνήστε με τον εξουσιοδοτημένο πωλητή σας!
- Μην πετάξετε το αρχικό κουτί συσκευασίας! Θα μπορούσε να χρησιμοποιηθεί για αποθήκευση και μεταφορά ώστε να αποφευχθούν τυχόν ζημιές κατά τη μεταφορά!
- Η απόρριψη του υλικού συσκευασίας θα πρέπει να γίνεται με τον κατάλληλο τρόπο! Μην επιτρέπεται στα παιδιά να παίζουν με σακούλες από πολυαιθυλένιο!

## ΠΕΡΙΕΧΟΜΕΝΟ ΤΗΣ ΣΥΣΚΕΥΑΣΙΑΣ

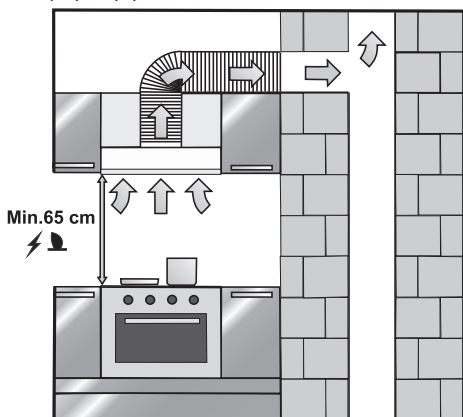
Ο εξοπλισμός μπορεί να διαφέρει ανάλογα με το αντίστοιχο μοντέλο:

### CH 1760 1T IX

- Απορροφητήρας CH 1760 1T IX
- Σετ φίλτρων αλουμινίου
- Άνω και κάτω σώμα της καμινάδας
- Πλάκα στερέωσης του απορροφητήρα
- Πλάκες στερέωσης των σωμάτων της καμινάδας
- Βαλβίδα αντεπιστροφής
- Εύκαμπτος σωλήνας
- Προσαρμογέας Ø150 mm - Ø120 mm
- Σετ τοποθέτησης
- Εγχειρίδιο χρήσης
- Κάρτα εγγύησης
- Ετικέτα ενέργειας
- Δελτίο προϊόντος

## ΕΓΚΑΤΑΣΤΑΣΗ ΤΟΥ ΑΠΟΡΡΟΦΗΤΗΡΑ – ΟΔΗΓΙΕΣ ΕΦΑΡΜΟΓΗΣ

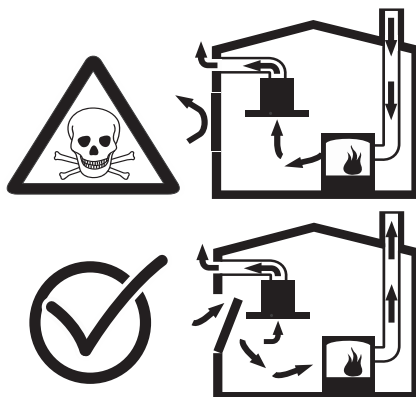
Κατά την εγκατάσταση η ελάχιστη απόσταση ανάμεσα στην επιφάνεια τοποθέτησης των σκευών στη συσκευή μαγειρέματος και στον απορροφητήρα δεν πρέπει να είναι μικρότερη από 65 cm.



Σχήμα 1 – Απαίτηση για ελάχιστη απόσταση από την επιφάνεια εργασίας

## ⚠️ ΚΙΝΔΥΝΟΣ ΔΗΛΗΤΗΡΙΑΣΗΣ ΚΑΙ ΘΑΝΑΤΟΥ!

Τα επαναρροφούμενα αέρια καύσης μπορούν να προκαλέσουν δηλητηριάσεις. Μην χρησιμοποιείτε τη συσκευή ταυτόχρονα με συσκευές που εκπέμπουν δηλητηριώδη αέρια από μια καμινάδα, π.χ. σόμπες αερίου, σόμπες που λειτουργούν με άνθρακα, πετρέλαιο ή ξύλο, εκτός εάν παρέχεται επαρκής εξαερισμός. Οι θερμαντικές συσκευές αυτού του τύπου λαμβάνουν τον αέρα για καύση από το χώρο εγκατάστασης και οδηγούν τα καυσαέρια μέσα από μια εγκατάσταση απαγωγής των καυσαερίων (καμινάδα) στον έξω χώρο. Σε συνδυασμό με έναν ενεργοποιημένο απορροφητήρα αφαιρείται αέρας από την κουζίνα και τους γειτονικούς χώρους. Δημιουργείται κενό αν δεν παρέχεται ροή φρέσκου αέρα. Σε τέτοια περίπτωση τα δηλητηριώδη αέρια απορροφούνται πίσω από τους σωλήνες εξόδου και επιστρέφουν πίσω στο χώρο. Για το λόγο αυτό, είναι απαραίτητο να εξασφαλιστεί κατάλληλος αερισμός του χώρου.



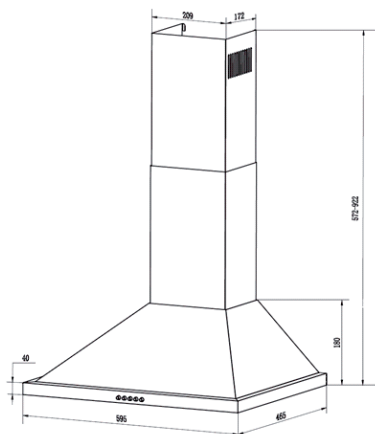
## ⚠️ ΚΙΝΔΥΝΟΣ ΠΥΡΚΑΓΙΑΣ!

Η τοποθέτηση της συσκευής πάνω από συσκευή καύσης στερεού καυσίμου (ξύλο ή κάρβουνα) επιτρέπεται μόνο εάν υπάρχει μια μη αποσυναρμολογούμενη συσκευή. Είναι απαραίτητο να τηρούνται οι τοπικοί κανονισμοί σε ότι αφορά το ηλεκτρικό δίκτυο.

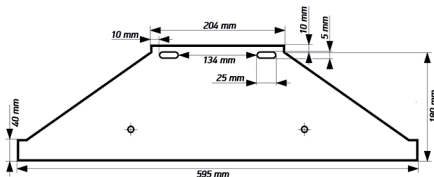
Εάν η συσκευή δεν καθαρίζεται σύμφωνα με τις οδηγίες καθαρισμού, είναι πιθανό να απορροφήσει σπινθήρες ή άλλα μικρά σωματίδια καύσης και υπάρχει πιθανότητα να δημιουργηθεί φωτιά.

## ΟΔΗΓΙΕΣ ΕΓΚΑΤΑΣΤΑΣΗΣ

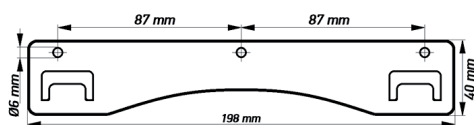
Οι απορροφητήρες τύπου καμινάδα της σειράς CH προορίζονται για τοποθέτηση σε τοίχο. Στο σχήμα 3 παρακάτω απεικονίζονται οι αποστάσεις για τις οπές στερέωσης.



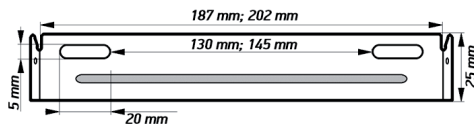
Σχήμα 2 – Διαστάσεις του SL 1760 1T IX



Σχήμα 3 – Διάγραμμα των οπών στερέωσης



Σχήμα 4 – Διάγραμμα της πλάκας στερέωσης του απορροφητήρα

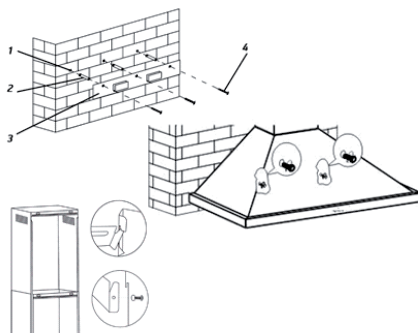


Σχήμα 5 – Διάγραμμα της πλάκας στερέωσης των σωμάτων της καμινάδας

Τοποθέτηση της πλάκας στερέωσης και του απορροφητήρα στον τοίχο:

- Σημειώστε στον τοίχο και τρυπήστε τουλάχιστον 2 οπές (είναι επιθυμητό να τρυπήσετε τις εξωτερικές οπές) διαμέτρου  $\varnothing 8$  mm για την πλάκα στερέωσης του απορροφητήρα.
- Τοποθετήστε τα πλαστικά βύσματα μέσα στις τρύπες στον τοίχο.
- Στερεώστε την πλάκα στον τοίχο με τις βίδες.

- Βιδώστε τις βίδες μέχρι το τέλος.
- Κρεμάστε τον απορροφητήρα στην πλάκα στερέωσης.
- Σημειώστε τις κάτω οπές.
- Αφαιρέστε τον απορροφητήρα από την πλάκα στερέωσης.
- Τρυπήστε 2 τρύπες διαμέτρου  $\varnothing 8$  mm και τοποθετήστε τα βύσματα στις τρύπες.
- Κρεμάστε τη συσκευή στην πλάκα στερέωσης.
- Βιδώστε τις βίδες στις κάτω οπές για να στερεώσετε τη συσκευή στον τοίχο. Βεβαιωθείτε ότι ο απορροφητήρας είναι σταθερά στερεωμένος στον τοίχο.
- Σημειώστε τις αυλακώσεις των δύο πλακών στερέωσης για τα δύο σώματα καμινάδας ανάλογα με το απαιτούμενο ύψος. Λάβετε υπόψη ότι η πλάκα για το κάτω σώμα καμινάδας είναι μακρύτερη από αυτή του επάνω σώματος.
- Τρυπήστε τις τρύπες και τοποθετήστε τα βύσματα μέσα τους.
- Στερεώστε τις πλάκες στερέωσης στον τοίχο με βίδες.
- Συνδέστε τον εύκαμπο σωλήνα αλουμινίου στην έξοδο του απορροφητήρα και το σύστημα απαγωγής καπνού, λαμβάνοντας υπόψη ότι οι κάμψεις και οι καμπύλες μειώνουν την απορροφητική ισχύ και θα πρέπει να τις ελαχιστοποιήσετε.
- Βεβαιωθείτε ότι η σύνδεση δεν θα χαλαρώσει όταν η συσκευή λειτουργεί με μέγιστη ισχύ.
- Τοποθετήστε τα σώματα καμινάδας και στερεώστε τα με βίδες.



Σχήμα 6 – Εγκατάσταση του απορροφητήρα



### ΚΙΝΔΥΝΟΣ ΗΛΕΚΤΡΟΠΛΗΞΙΑΣ!

Μην τσακίζετε και μην μαγκώνετε το καλώδιο τροφοδοσίας κατά την εγκατάσταση! Υπάρχει κίνδυνος να φθαρεί.

**ΚΙΝΔΥΝΟΣ ΤΡΑΥΜΑΤΙΣΜΟΥ!**

Υπάρχει κίνδυνος τραυματισμού κατά την εγκατάσταση λόγω αιχμηρών άκρων. Χρησιμοποιείτε πάντα προστατευτικά γάντια κατά την εγκατάσταση.

Πρέπει να τοποθετηθούν γερά όλες οι βίδες και τα καπελάκια ασφάλισης, όπως περιγράφεται στις οδηγίες χρήσης, καθώς υπάρχει κίνδυνος πτώσης.

**ΧΡΗΣΗ ΤΟΥ ΑΠΟΡΡΟΦΗΤΗΡΑ**

Τα προσβάσιμα μέρη μπορούν να ζεσταθούν κατά τη λειτουργία της συσκευής σε συνδυασμό με καυτές εστίες μαγειρέματος κάτω από αυτήν.

Η διαχείριση του απορροφητήρα CH 1760 1T IX γίνεται με πέντε στρογγυλά κουμπιά, τοποθετημένα στο μπροστινό πάνελ του απορροφητήρα για ευκολία και εύκολη πρόσβαση. Το δεξί κουμπί είναι για ενεργοποίηση/ απενεργοποίηση του φωτισμού, και τα άλλα τέσσερα κουμπιά χρησιμεύουν για τον έλεγχο των ταχυτήτων απορρόφησης. Πατώντας το κουμπί OFF ο απορροφητήρας απενεργοποιείται.



Σχήμα 7– Κουμπιά διαχείρισης του CH 1760 1T IX

Περιγραφή των κουμπιών λειτουργίας που απεικονίζονται στο σχήμα 7

- ⓪ – Κουμπί απενεργοποίησης της απορρόφησης
- ① – Πρώτη ταχύτητα απορρόφησης
- ② – Δεύτερη ταχύτητα απορρόφησης
- ③ – Τρίτη ταχύτητα απορρόφησης
- Ⓢ – Κουμπί ενεργοποίησης/απενεργοποίησης φωτισμού

Σε αυτό το μοντέλο έχετε τη δυνατότητα να ενεργοποιήσετε τον απορροφητήρα να λειτουργεί με την ταχύτητα απορρόφησης που θέλετε, π.χ. με ταχύτητα III, ή από ταχύτητα I να μεταβεί στην ταχύτητα III και αντίστροφα.

**ΧΡΗΣΗ ΤΟΥ ΑΠΟΡΡΟΦΗΤΗΡΑ ΜΕ ΚΑΙ ΧΩΡΙΣ ΦΙΛΤΡΟ ΕΝΕΡΓΟΥ ΑΝΘΡΑΚΑ**

Μην χρησιμοποιείτε τη συσκευή χωρίς φίλτρα!

Οι απορροφητήρες TESY της σειράς CH έχουν σχεδιαστεί για να λειτουργούν με στάνταρ φίλτρα αλουμινίου καθώς και με φίλτρα ενεργού άνθρακα που μπορούν να αγοραστούν ξεχωριστά.

Σε περίπτωση απουσίας καπναγωγού στο χώρο, ο απορροφητήρας θα πρέπει να χρησιμοποιείται με φίλτρο ενεργού άνθρακα για τον καθαρισμό του αέρα. Αυτό το φίλτρο δεν περιλαμβάνεται στο κιτ, αλλά μπορεί

να αγοραστεί από τον προμηθευτή ή από το κέντρο εξυπηρέτησής σας. Σε αυτή την περίπτωση χρήσης, το φίλτρο πρέπει να αντικαθίσταται κάθε 3 έως 5 μήνες, ανάλογα με τη συχνότητα χρήσης.

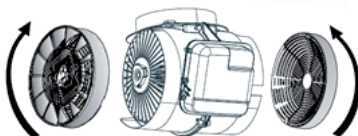
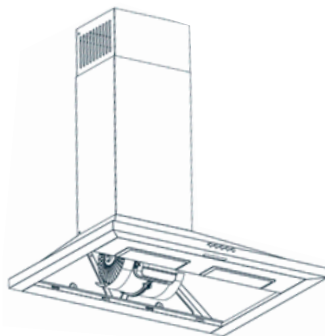


Ποτέ μην πλένετε το φίλτρο ενεργού άνθρακα. Κρατήστε το μακριά από παιδιά.



Πριν από την αντικατάσταση του φίλτρου ενεργού άνθρακα, οπωσδήποτε αποσυνδέστε τον απορροφητήρα από την παροχή ρεύματος, αφαιρώντας το καλώδιο από την πρίζα ή μέσω απενεργοποίησης της ασφάλειας.

Τα φίλτρα ενεργού άνθρακα είναι σετ (αριστερό και δεξί) και πρέπει να τηρούνται οι κατευθύνσεις κατά την εγκατάστασή τους.



Σχήμα 8 – Μέθοδος εγκατάστασης των φίλτρων ενεργού άνθρακα

Η τοποθέτηση των φίλτρων ενεργού άνθρακα γίνεται ως εξής.

1. Τοποθετήστε το αντίστοιχο φίλτρο στη θέση του
2. Γυρίστε το δεξιόστροφα για να το ασφαλίσετε στη θέση του.

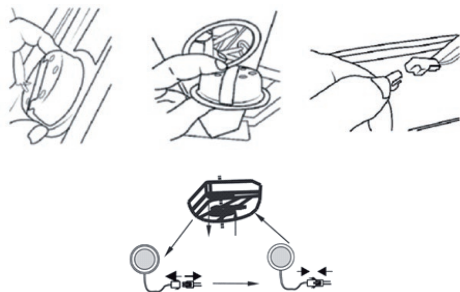
Η αποσυναμολόγηση πραγματοποιείται με αντίστροφη σειρά.

## ΑΝΤΙΚΑΤΑΣΤΑΣΗ ΛΑΜΠΤΗΡΑ

**!** Πριν από την αντικατάσταση του λαμπτήρα, αποσυνδέστε τη συσκευή από την παροχή ηλεκτρικού ρεύματος. Περιμένετε μέχρι να κρυώσει ο λαμπτήρας, διαφορετικά μπορείτε να πάθετε έγκαυμα.

Ο απορροφητήρας CH 1760 1T IX έχει δύο λαμπτήρες 1.5W LED. Για να αντικαταστήσετε το ελαττωματικό λαμπτήρα ακολουθήστε την παρακάτω διαδικασία

- Αφαιρέστε τα φίλτρα αλουμινίου.
- Πιέστε τα κλιπ στήριξης με ελατήριο στο πάνω μέρος του λαμπτήρα και πιέστε προς τα κάτω διαμέσου της βάσης του απορροφητήρα.
- Αποσυνδέστε τη φιάσα του λαμπτήρα.
- Αντικαταστήστε με νέο λαμπτήρα.
- Τοποθετήστε πίσω τον λαμπτήρα στη βάση.
- Τοποθετήστε πίσω τα φίλτρα αλουμινίου



Σχήμα 9 – Αντικατάσταση των λαμπτήρων

## ΚΑΘΑΡΙΣΜΟΣ ΚΑΙ ΣΥΝΤΗΡΗΣΗ

**!** Ο καθαρισμός και η συντήρηση αυτής της συσκευής δεν πρέπει να πραγματοποιούνται από παιδιά!

**!** Η επιφάνεια μπορεί να καταστραφεί εάν χρησιμοποιείτε σκληρά λειαντικά καθαριστικά ή αιχμηρά αντικείμενα ή απορροπαντικά. Ποτέ μην χρησιμοποιείτε τέτοιου είδους παρασκευάσματα. Κατάλληλα μέσα καθαρισμού και φροντίδας για τη συσκευή σας μπορείτε να προμηθευτείτε μέσω του προμηθευτή σας. Η επιφάνεια της συσκευής και τα στοιχεία χειρισμού είναι ευαίσθητα στις γρατζουνιές.

Καθαρίζετε την επιφάνεια με ένα μαλακό υγρό πανί, απορροπαντικό για πλυντήρια πιάτων ή με ένα ήπιο καθαριστικό γυαλιού. Δεν είναι σκόπιμο να χρησιμοποιείτε στεγνά πανιά, σφουγγάρια που χαράζουν, μέσα τριψίματος καθώς και μέσα καθαρισμού που περιέχουν άμμο, σόδα, οξέα, χλώριο ή λοιπά διαβρωτικά απορροπαντικά.

Καθαρίζετε τις επιφάνειες από ανοξείδωτο ατσάλι μόνο στην κατεύθυνση λείανσης.

Για τα στοιχεία χειρισμού μη χρησιμοποιείτε μέσο καθαρισμού ούτε βρεγμένα πανιά.

**!** ΚΙΝΔΥΝΟΣ ΕΓΚΛΥΜΑΤΩΝ, ΚΙΝΔΥΝΟΣ ΗΛΕΚΤΡΟΠΛΗΞΙΑΣ!

Πριν τον καθαρισμό αφήνετε τη συσκευή πάντοτε να κρυώνει. Βγάψτε το φις από την πρίζα ή κατεβάξτε τη ασφάλεια.

Υπάρχει κίνδυνος ζημιάς λόγω εισερχόμενης υγρασίας στο ηλεκτρονικό σύστημα. Μην καθαρίζετε ποτέ τα στοιχεία χειρισμού με υγρό πανί.

### Καθαρισμός των φίλτρων αλουμινίου

Τα φίλτρα αλουμινίου υποδέχονται τα λιπαρά συστατικά των ατμών της κουζίνας. Σε κανονική χρήση (1 έως 2 ώρες ημερησίως) καθαρίζετε τα φίλτρα αλουμινίου μια φορά το μήνα.

Μη χρησιμοποιείτε δραστικά μέσα καθαρισμού που περιέχουν οξέα ή χλώριο.

Κατά τον καθαρισμό των μεταλλικών φίλτρων λίπων καθαρίζετε επίσης τη συγκράτηση των μεταλλικών φίλτρων στη συσκευή με ένα βρεγμένο πανί.

Τα μεταλλικά φίλτρα λίπων μπορείτε να τα πλένετε στο πλυντήριο πιάτων ή στο χέρι.

### Πλύσιμο των φίλτρων αλουμινίου στο πλυντήριο πιάτων

Κατά το πλύσιμο των φίλτρων αλουμινίου στο πλυντήριο πιάτων μπορούν να εμφανιστούν ελαφρές χρωματικές αλλοιώσεις. Αυτό δεν έχει καμία επίδραση στη λειτουργία των φίλτρων.

Μην πλένετε τα πολύ λερωμένα φίλτρα αλουμινίου μαζί με τα άλλα σκεύη.

Τοποθετείτε τα φίλτρα αλουμινίου χαλαρά μέσα στο πλυντήριο πιάτων. Τα φίλτρα αλουμινίου δεν επιτρέπεται να μαγκώσουν.

## Πλύσιμο των φίλτρων αλουμινίου στο χέρι

Σε δύσκολους ρύπους μπορείτε να χρησιμοποιήσετε ειδικό διαλύτη λιπών.

Μαλακώνετε τους λεκέδες στα φίλτρα αλουμινίου σε καυτό διάλυμα απορρυπαντικού πιάτων.

Χρησιμοποιήστε βούρτσα για τον καθαρισμό και ξεπλύντε μετά τα φίλτρα καλά.

Αφήστε τα φίλτρα αλουμινίου να στεγνώσουν εντελώς πριν τα τοποθετήσετε ξανά στον απορροφητήρα.



*Τα φίλτρα αλουμινίου πρέπει να πλένονται τακτικά.*

*Μπορεί να χρειαστεί ο απορροφητήρας σας να λειτουργεί σε υψηλότερη ταχύτητα, καθώς τα μολυσμένα φίλτρα περιορίζουν τη ροή του αέρα.*

*Χρησιμοποιείτε τις ταχύτητες της συσκευής σωστά.*

*Η χρήση υψηλών ταχυτήτων αυξάνει την κατανάλωση ρεύματος.*



### **ΚΙΝΔΥΝΟΣ ΠΥΡΚΑΓΙΑΣ, ΚΙΝΔΥΝΟΣ ΤΡΑΥΜΑΤΙΣΜΟΥ!**

*Σε περίπτωση βλάβης ή επισκευής έκτακτης ανάγκης, αποσυνδέστε τη συσκευή από την πρίζα ή αποσυνδέστε την ασφάλεια και καλέστε ένα εξουσιοδοτημένο κέντρο σέρβις!*

*Οι επισκευές πρέπει να πραγματοποιούνται πάντοτε από εγκεκριμένα κέντρα επισκευών και εξουσιοδοτημένο τεχνικό προσωπικό.*



*Εάν το καλώδιο τροφοδοσίας είναι κατεστραμμένο, πρέπει να αντικατασταθεί από τον κατασκευαστή ή την υπηρεσία τεχνικής*

*εξυπηρέτησης των πελατών του ή από αδειούχο τεχνικό, προκειμένου να αποφευχθούν επικίνδυνες καταστάσεις.*

*Εάν οι λαμπτήρες έχουν υποστεί ζημιά, αποσυνδέστε τη συσκευή από την πρίζα ή αποσυνδέστε την ασφάλεια. Για να αποφευχθεί η υπερφόρτωση των άλλων λαμπτήρων, αντικαταστήστε αμέσως τους ελαττωματικούς λαμπτήρες (περιμένετε μέχρι να κρυώσουν).*

## ΕΓΓΕΚΡΙΜΕΝΕΣ ΠΑΡΕΜΒΑΣΕΙΣ ΕΠΙΣΚΕΥΗΣ ΚΑΙ ΣΥΝΤΗΡΗΣΗΣ

Εάν ο φωτισμός δε λειτουργεί:

- Βεβαιωθείτε ότι η συσκευή είναι συνδεδεμένη στο δίκτυο και οι ασφάλειες δεν έχουν υποστεί ζημιά.
- Ελέγξτε τους λαμπτήρες. Βεβαιωθείτε ότι η συσκευή είναι αποσυνδεδεμένη από το δίκτυο ενώ ελέγχετε. Σφίξτε καλά τους λαμπτήρες εάν είναι χαλαροί. Αν ακόμα δεν λειτουργούν, αντικαταστήστε τους.

### **Πιθανές αιτίες και ενέργειες που μπορείτε να κάνετε χωρίς να καλέσετε έναν τεχνικό της υπηρεσίας εξυπηρέτησης πελατών.**

#### **Η συσκευή δε λειτουργεί καθόλου:**

- Ελέγξτε για να βεβαιωθείτε ότι η συσκευή είναι συνδεδεμένη στο ηλεκτρικό δίκτυο.
- Ελέγξτε την ασφάλεια της συσκευής και την κεντρική ασφάλεια του σπιτιού σας.

#### **Εάν η συσκευή δεν λειτουργεί με πλήρη ισχύ ή παράγει δυνατό θόρυβο ενώ λειτουργεί:**

- Η διάμετρος των εξερχόμενων σωλήνων είναι κατάλληλος; (τουλάχιστον 120mm)
- Τα μεταλλικά φίλτρα είναι καθαρά; Ελέγξτε.
- Εάν χρησιμοποιείτε τη συσκευή χωρίς ο αέρας να απορροφάται έξω από το χώρο, βεβαιωθείτε ότι τα φίλτρα ενεργού άνθρακα δεν είναι άνω των 6 μηνών.
- Βεβαιωθείτε ότι ο χώρος αερίζεται καλά και παρέχει ροή αέρα. Εάν δεν είστε ακόμα ικανοποιημένοι με την λειτουργία του απορροφητήρα σας, επικοινωνήστε με ένα εξουσιοδοτημένο κέντρο επισκευών.

## ΔΙΑΓΝΩΣΤΙΚΑ ΣΦΑΛΜΑΤΩΝ

Προβλήματα	Αιτία	Βοήθεια
Η συσκευή δεν λειτουργεί.	Ελέγξτε την ηλεκτρική σύνδεση.	Η τάση του δικτύου πρέπει να είναι 220-240V~ και η συσκευή πρέπει να είναι συνδεδεμένη με γειωμένη πρίζα.
Ο ανεμιστήρας δεν λειτουργεί.	Ελέγξτε τη σύνδεση με το ηλεκτρικό ρεύμα.	Η τάση του δικτύου πρέπει να είναι 220-240V~ και η συσκευή πρέπει να είναι συνδεδεμένη με γειωμένη πρίζα.
Ο ανεμιστήρας δεν λειτουργεί.	Ελέγξτε τη σύνδεση με το ηλεκτρικό ρεύμα.	Ο διακόπτης του ανεμιστήρα πρέπει να είναι ενεργοποιημένος.
Ο ανεμιστήρας δεν λειτουργεί.	Η τουρμπίνα μπλοκάρεται.	Αποσυνδέστε τη συσκευή από την παροχή ηλεκτρικού ρεύματος και επικοινωνήστε με την υπηρεσία τεχνικής υποστήριξης.
Ο ανεμιστήρας δεν λειτουργεί.	Το μοτέρ έχει υποστεί ζημιά.	Αποσυνδέστε τη συσκευή από την παροχή ηλεκτρικού ρεύματος και επικοινωνήστε με την υπηρεσία τεχνικής υποστήριξης.
Ο φωτισμός δεν λειτουργεί.	Ελέγξτε την ηλεκτρική σύνδεση.	Ο διακόπτης για το φωτισμό πρέπει να είναι ενεργοποιημένος.
Ο φωτισμός δεν λειτουργεί.	Ελέγξτε την ηλεκτρική σύνδεση.	Η τάση του ρεύματος πρέπει να είναι 220-240V~ και η συσκευή πρέπει να είναι συνδεδεμένη με γειωμένη πρίζα.
Ο φωτισμός δεν λειτουργεί.	Ελέγξτε τους λαμπτήρες.	Οι λαμπτήρες πρέπει να είναι σφικτά στη θέση τους.
Υπάρχουν σοβαροί κραδασμοί στη συσκευή.	Η τουρμπίνα έχει υποστεί ζημιά.	Αποσυνδέστε τη συσκευή από την παροχή ηλεκτρικού ρεύματος και επικοινωνήστε με την υπηρεσία τεχνικής υποστήριξης.
Υπάρχουν σοβαροί κραδασμοί στη συσκευή.	Ο κινητήρας δεν στερεώνεται σταθερά.	Αποσυνδέστε τη συσκευή από την παροχή ηλεκτρικού ρεύματος και επικοινωνήστε με την υπηρεσία τεχνικής υποστήριξης.
Υπάρχουν σοβαροί κραδασμοί στη συσκευή.	Η συσκευή δεν στερεώνεται σωστά στον τοίχο / στην πλάκα / στο ντουλάπι της κουζίνας.	Αποσυνδέστε τη συσκευή από την παροχή ρεύματος, αποσυνδέστε τη συσκευή από τον τοίχο / το υποστήριγμα και στερεώστε σωστά.
Η απορρόφηση είναι αδύναμη	Ελέγξτε το φίλτρο αλουμινίου.	Το φίλτρο αλουμινίου πρέπει να πλένεται μία φορά το μήνα υπό κανονικές συνθήκες.
Η απορρόφηση είναι αδύναμη	Ελέγξτε το σωλήνα εξόδου.	Ο σωλήνας εξόδου πρέπει να είναι ανοιχτός.
Η απορρόφηση είναι αδύναμη	Ελέγξτε το φίλτρο ενεργού άνθρακα.	Εάν χρησιμοποιείται φίλτρο άνθρακα, πρέπει να αντικαθίσταται μία φορά κάθε 3 μήνες υπό κανονικές συνθήκες.
Η συσκευή δεν αποβάλλει τον αέρα (σε χώρους χωρίς καμινάδα).	Ελέγξτε το φίλτρο αλουμινίου.	Το μεταλλικό φίλτρο πρέπει να πλένεται τουλάχιστον μία φορά το μήνα υπό κανονικές συνθήκες.
Η συσκευή δεν αποβάλλει τον αέρα (σε χώρους χωρίς καμινάδα).	Ελέγξτε το φίλτρο ενεργού άνθρακα.	Εάν χρησιμοποιείται φίλτρο άνθρακα, πρέπει να αντικαθίσταται μία φορά κάθε 3 μήνες υπό κανονικές συνθήκες.

## Τεχνικές προδιαγραφές

Τάση τροφοδοσίας	220-240V~/50Hz
Κλάση μόνωσης του κινητήρα	B
Κατηγορία μόνωσης	CLASS I



## Συμβουλές για την προστασία του περιβάλλοντος


Οι παλιές ηλεκτρικές συσκευές περιέχουν πολύτιμα υλικά και συνεπώς δεν πρέπει να απορρίπτονται μαζί με τα σκουπίδια των νοικοκυριών! Σας παρακαλούμε να συνεργαστείτε με την ενεργό Σας συμβολή στην προστασία των φυσικών πόρων και του περιβάλλοντος και να παρέχετε τη συσκευή στους οργανωμένους σταθμούς παράδοσης (εάν υπάρχουν τέτοιοι).




Hvala vam što ste odabrali TESI električni aspirator. Ovo je proizvod koji pomaže da kuhinja bude ugodnija pri pripremi hrane. S pravilnim radom i skrbi kako je opisano u ovim uputama, uređaj će Vam pružiti dugogodišnje korisno djelovanje.

Ove upute za uporabu pokrivaju ugradnju, rad, održavanje i čišćenje sljedećih modela kućnih električnih aspiratora za ugradnju s markom TESI

- CH 1760 1T IX

 *Pročitajte ove upute prije korištenja ovog uređaja i držati ove upute za buduću uporabu. Pri promjenivlasnika, upute moraju se prenositi zajedno s aparatom.*

#### VAŽNE MJERE OPREZA SIGURNOSNE UPUTE:

 *Djeca koja su manja od tri godine, moraju se držati na udaljenosti, osim ako nisu pod stalnim nadzorom.*

*Djeca u dobi od tri godine do osam godina mogu koristiti samo dugme uklj. / Isklj jedinice, pod uvjetom da je uređaj instaliran i spreman za normalan rad i ona su bila pod praćenjem i su upućena na njegovu uporabu na siguran način i razumiju da to može biti opasno. Djeca u dobi od tri godine do 8 godina ne bi trebala uključivati uređaj u utičnicu, da ga postavljaju da ga očiste ili da izvode korisničko održavanje.*

*Ovaj uređaj se može koristiti od strane djece u dobi nad osam godina i od strane osoba sa smanjenim fizičkim, osjetilnim ili mentalnim sposobnostima, ili sa nedostatkom iskustva i znanja, osim ako su one pod nadzorom ili upućene u sigurno korištenje aparata i razumiju opasnosti.*

*Djeca ne bi trebalo se igrati s aparatom. Čišćenje i korisničko održavanje ne treba biti učinjeno od strane djece bez nadzora.*

#### UPOZORENJA I MJERE OPREZA

- Prije uključivanja uređaja - provjerite odgovara li napon na pločici s oznakom napona koji se dostavlja kod Vaše kuće. Korišteni napon vašeg uređaja je 220–240 V~/50Hz.
- Ovaj uređaj treba koristiti samo za namjeravanu svrhu. Uređaj nije namijenjen za komercijalne svrhe. Različite namjene smatraju se netočnim i stoga su opasne. Proizvođač ne može biti odgovoran za štete nastale zbog nepravilne i nerazumne uporabe. Nepoštivanje sigurnosnih informacija poništiti će jamstvo za uređaj!
- Nemojte ostavljati svoj dom dok je uređaj uključen. Provjerite je li isključen.
- Kabel napajanja Vašeg uređaja opremljen je uzemljenim utikačem. Ovaj kabel mora biti utaknut u uzemljenu utičnicu. Ako je kabel za napajanje ovog uređaja oštećen, prestanite ga koristiti i kontaktirajte dobavljača / prodavateljem za daljnje upute.
- Nemojte slomiti kabel ili ga izvaditi preko oštarih rubova ili ga stavljati na vruće ploče ili na otvorenu vatru!
- Postavite mrežni kabel tako da ne ometa kretanje ljudi i da se ne stupa na isti! Koristite samo odobrene proizlivače koji su pogodni za uređaj, tj. imaju znak usklađenosti!
- Nikad nemojte pomicati uređaj povlačenjem kabela ili korištenjem kabela za nošenje predmeta!
- Električni priključak mora obaviti kvalificirani tehničar.
- Instaliranje od strane neovlaštenih osoba može rezultirati nižim produktivnosti, oštećenjem uređaja ili nesrećama.
- Nemojte priključivati utičnicu prije dovršetka električnog spajanja.
- Utičnica mora biti dostupna u svako doba, tako da se utikač može otpustiti ako je potrebno, što je brže moguće!

- Nikada nemojte povlačiti kabel za napajanje ili sam uređaj kada isključujete mrežni kabel.
- Ako odlučite prestati koristiti uređaj ove vrste, preporuča se da ga učinite neupotrebljivim rezanjem kabela nakon što ga odspojite s mreže. Također se preporučuje osigurati sve opasnosti povezane s uređajem, posebno za djecu, koje mogu koristiti prigušeni uređaj (aparatus) za igru.
- Nemojte dirati svjetiljke ako su dulje vrijeme bile uključene - mogu spaliti ruke jer će biti vruće.
- Slijedite odgovarajuća pravila i upute za uklanjanje zraka na otvorenom.
- Potrebno je osigurati odgovarajuću ventilaciju u prostoriji u kojoj se aspirator koristi istodobno s uređajem koji gori plin ili drugo gorivo (Ne odnosi se na uređaje koji vraćaju čisti zrak natrag u prostoriju).
- Postoji opasnost od požara ako se čišćenje ne provodi u skladu s uputama.
- Redovito čistite uređaj a prije toga obavezno ga odspojite iz električne mreže.
- Nikada ne dodirujte uređaj mokrim ili vlažnim rukama - postoji opasnost za život!
- Hrana, koja gori (flambe) ne smijete kuhati ispod aspiratora.
- Očišćeni zrak ne smije se ispustiti u dimnjak koji se koristi za ispuštanje ispušnih plinova iz uređaja koji koriste plin ili druga goriva (Ne odnosi se na uređaje koji vraćaju pročišćeni zrak natrag u prostoriju).
- Prilikom ugradnje treba slijediti minimalna udaljenost između površine vruće ploče na kojoj se stavljaju posuđe za kuhanje. Kad je aspirator smješten iznad kućnog uređaja koji koristi plin, tada udaljenost mora biti najmanje 65 cm. Ako upute na samom plinskom štednjaku pokazuju veću udaljenost, ista se treba uzeti u obzir. Udaljenost od 65 centimetara može se smanjiti kod nezapaljivih dijelova aspiratora i za dijelova koji rade pod sigurnim prenaponima, a u slučaju deformacije ti dijelovi neće omogućiti pristup dijelovima koji se nalaze pod naponom.
- Uključite aspirator nakon postavljanja lonca, tave ili druge posude na ploči za kuhanje. Inače, visoka temperatura može deformirati neke dijelove aspiratora.
- Ne ostavljajte vruće ulje na ploči za kuhanje. Spremnici koji sadrže vruće ulje mogu uzrokovati samozapaljenje.
- Pripazite na zavjese i pokrove tijekom kuhanja hrane, poput prženja jer ih ulje može zapaliti.
- Provjerite jesu li filteri smijenjeni na vrijeme. Neispravno smijenjeni / očišćeni filteri predstavljaju rizik od požara zbog masnoća položenih na njih.
- Nemojte koristiti ne otporne na toplinu materijale umjesto filtera.
- Nemojte koristiti aspirator bez aluminijskih filtera; nemojte uklanjati filtere dok uređaj radi.
- U slučaju požara odspojite napajanje aspiratora i štednjaka. (Odspojite uređaj iz utičnice ili isključite osigurač).
- Isključite aspirator tijekom njegovog održavanja. (Odspojite uređaj iz utičnice ili isključite osigurač).
- Ako aspirator i uređaj, sa napajanjem s energijom koja nije električna, istodobno rade, negativni tlak u prostoriji ne smije biti veći od 4 Pa.
- Ako na istom mjestu, gdje je aspirator, postoji i uređaj koji koristi tekuće ili plinovito gorivo, ovaj uređaj mora biti hermetički zatvoren.
- Ako otpustite zrak kroz dimnjak, koristite cijevi promjera 120 ili 150 mm. Cijevni priključak mora biti što kraći i uključiti što je moguće manje okretaja.
- Koristite prekidač s maksimalnom strujom od 6 ampera pri instalaciji aspiratora za vašu sigurnost.
- Ako je kabel oštećen, mora ga zamijeniti ovlaštena radionica ili kvalificirani tehničar kako bi se izbjegle opasne situacije.
- U slučaju požara, isključite napajanje iz uređaja, ugušite vatru; nikada ne koristite vodu..

## RASPAKIRAVANJE UREĐAJA

- Nakon raspakiravanja uređaja, provjerite da nije oštećen tijekom transporta i da je potpuno sastavljen! U slučaju oštećenja ili nepotpune dostave, obratite se ovlaštenom prodavatelju!
- Nemojte bacati originalnu kutiju! Može se koristiti za skladištenje i transport radi izbjegavanja oštećenja od prijevoza!
- Zbrinjavanje ambalažnog materijala treba biti na odgovarajući način! Djeca trebaju biti oprezni da se ne igraju s polietilenskim vrećama!

## SADRŽAJ KUTIJE

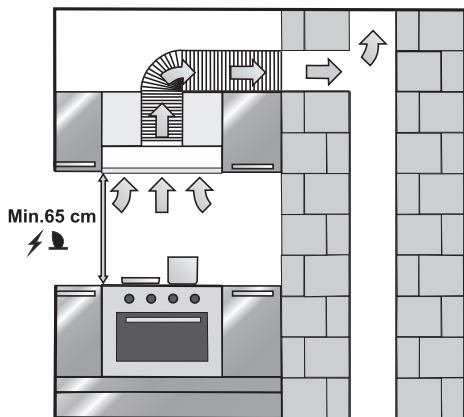
Komplet može varirati ovisno o odgovarajućem modelu:

### CH 1760 1T IX

- Aspirator CH 1760 1T IX
- Set aluminijskih filtera
- Gornje i donje dimnjačko tijelo
- Ploča za fiksiranje aspiratora
- Ploče za fiksiranje dimnjačkih tijela
- Povratni ventil
- Fleksibilna cijev
- Prelaznik Ø150 mm - Ø120 mm
- Komplet za montažu
- Upute za uporabu
- Jamstveni list
- List o energiji
- Proizvodni list

## ODREĐIVANJE MJESTA INSTALACIJE ASPIRATORA

Pri montaži aspiratora, između njega i površine na kojoj se postavljaju posude za kuhanje, mora biti razmak od najmanje 65 cm.

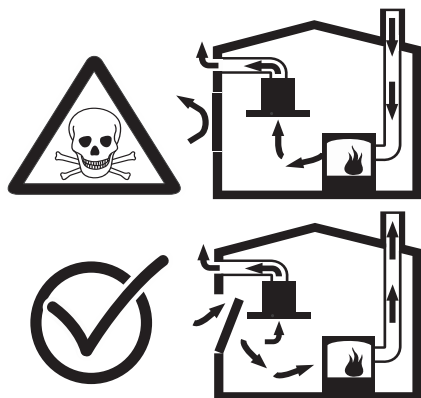


Slika 1 - zahtjev za minimalnim razmacima s radne površine



### RIZIK OD TROVANJA I SMRTI!

Postoji rizik od trovanja uzrokovanog udisanjem ispušnih plinova. Nemojte istodobno koristiti uređaj s uređajima koji emitiraju otrovne plinove kroz dimnjak, kao što su peći koje izvodu na plin, ugljen, dizel ili drva, osim ako je dovoljno ventilacija. Takav tip grijača koriste zrak za izgaranje od mjesta ugradnje i puštaju ispušne plinove kroz dimnovodni sustav (dimnjak.). Zrak se isisava iz kuhinje ili susjedne prostorije pri radećim aspiratorom u pogonu. Ako se ne isporučuje svježi zrak, dobiva se vakuum. U tom slučaju, ispušni plinovi se usisavaju natrag izlaznim cijevima i opet ulaze u prostoriju. Zbog tog razloga je potrebno osigurati pravilnu ventilaciju prostorije.



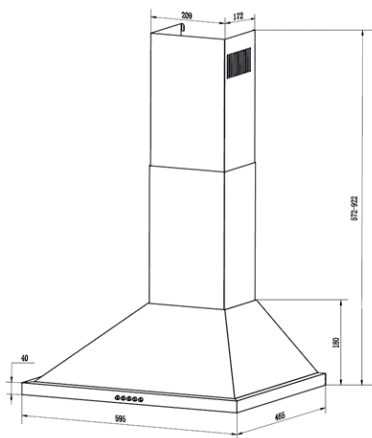
### RIZIK OD POŽARA!

Postavljanje uređaja iznad uređaja sa gorenjem tvrdog goriva (drvo ili ugljen) dopušteno je samo ako postoji uređaj koji se ne može rastaviti. Potrebno je poštivati lokalne električne propise u odnosu na električnu mrežu.

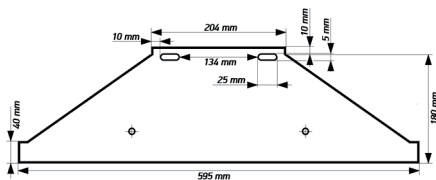
Ako uređaj nije očišćen u skladu s uputama za čišćenje, moguće je isisati iskre ili druge male goruće čestice i moći doći do požara.

## UPUTE ZA MONTAŽU

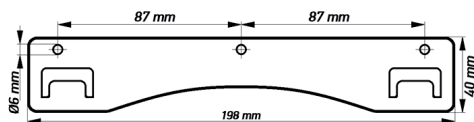
Aspiratori kaminskog tipa serije CH namijenjen su za montažu na zidu. Na slici 3 dolje prikazani su razmaci za montažne otvore.



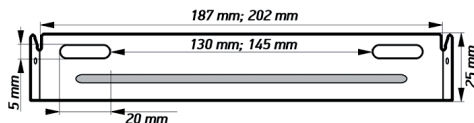
Slika 2 – Dimenzije SL 1760 1T IX



Slika 3 – Šema montažnih otvora



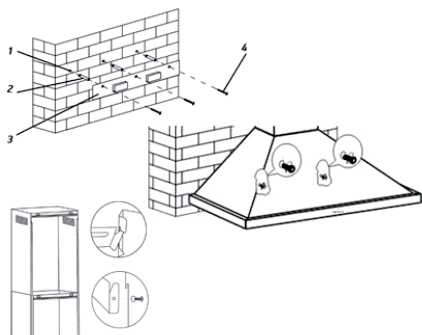
Slika 4 – Šema montažne ploče za aspirator



Slika 5 – montažne ploče za dimnjačka tijela

Pričvršćivanje montažne ploče i aspiratora na zid:

- Označite na zidu i izbušite najmanje 2 otvora (po mogućnosti vanjski) s promjerom od Ø8 mm za ploču za pričvršćivanje aspiratora.
- Stavite plastične klinove u otvore izbušene u zidu.
- Vijcima pričvrstite ploču na zid.
- Zavrnite vijke do kraja.
- Objesite aspirator na ploči.
- Označite donje otvore.
- Uklonite aspirator s ploče.
- Izbušite 2 rupe s promjerom Ø8 mm i postavite klinove u rupe.
- Objesite uređaj na ploču.
- Zavijte vijke u donje otvore kako biste pričvrstili uređaj na zid. Uvjerite se da je aspirator čvrsto pričvršćen za zid.
- Označite utore na dvije montažne ploče za dva dimnjačka tijela, ovisno o potrebnoj visini. Imajte na umu da je ploča za donje dimnjačko tijelo duža od iste za gornje.
- Izbušite rupe i postavite klinove u njih.
- Pričvrstite ploče na zid pomoću vijaka.
- Spojite fleksibilnu aluminijsku cijev na izlaz aspiratora i dimnjaka, imajući na umu da krivine i zavoji smanjuju apsorpcijsku snagu i bi bilo dobro ih minimizirati.
- Uvjerite se da se spoj ne otpušta kada uređaj radi s maksimalnom snagom.
- Montirajte dimnjačka tijela i učvrstite ih vijcima.



Slika 6 – montaža aspiratora



**RIZIK OD STRUJNOG UDARA!**

Nemojte savijati ili pritikati kabel za napajanje tijekom instalacije! Vi riskirate da ga oštetite.



**RIZIK OD OZLJEDE!**

Zbog oštih rubova postoji opasnost od ozljeda tijekom ugradnje. Tijekom instalacije uvijek koristite zaštitne rukavice.

Svi sigurnosni vijci i zaštitni pokrovi moraju se ugraditi kako je opisano u uputama jer postoji opasnost od pada.

## KORIŠTENJE ASPIRATORA



Dostupni dijelovi mogu se zagrijati tijekom rada uređaja u kombinaciji s radećim pločama ispod njega.

Upravljanje aspiratora CH 1760 1T IX s pet okruglih tipki, koje se nalaze na prednjoj ploči haube za praktičnost i jednostavan pristup. Krajnja desna je za uključivanje / isključivanje osvjetljenja, a ostala četiri kontroliraju brzine ventilacije. Pritiskom na tipku OFF aspirator se isključuje.



Slika 7 – tipke za upravljanje CH 1760 1T IX

Opis funkcijskih tipki prikazanih na slici 7

⊖ – Tipka za isključivanje ventilacije

① – 1va brzina ventilacije

② – 2ga brzina ventilacije

③ – 3ća brzina ventilacije

⊕ – Tipka za uključivanje / isključivanje osvjetljenja

S ovim modelom imate mogućnost okrenuti aspirator raditi na željenu brzinu ventilatora, na primjer pri brzini III ili od I da prebacite do III i obrnuto.

## KORIŠTENJE ASPIRATORA S I BEZ FILTRA S AKTIVNIM UGLJENOM



Uređaj nemojte koristiti bez filtera!

Aspiratori TESIY serije CH predviđeni su za rad sa standardnim aluminijskim filterima kao i sa filterima s aktivnim ugljenom koji se mogu kupiti zasebno.

U odsutnosti dimnjaka u prostoriji, aspirator se treba koristiti s filtrom s aktivnim ugljenom za pročišćavanje zraka. Ovaj filter nije uključen u kompletu, ali se može kupiti kod Vašeg prodavača ili davatelja usluga. U tom slučaju, filter treba zamijeniti svaka 3 do 5 mjeseci, ovisno o učestalosti uporabe.

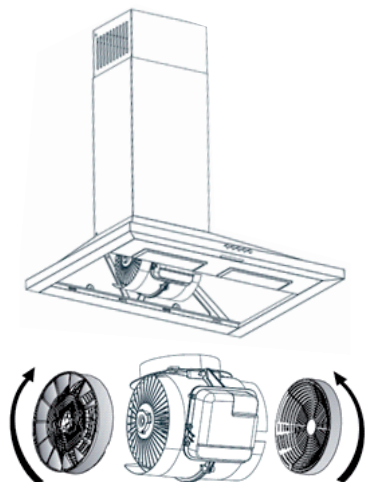


Nikada nemojte prati filter s aktivnim ugljenom. Čuvati izvan dohvata djece.



Prije zamjene filtra s aktivnim ugljenom, obavezno odspojite napajanje aspiratora tako da izvadite kabel iz utikača ili isključite osigurač.

Filtri s aktivnim ugljenom su u kombinaciji (lijev i desni) i moraju se poštivati smjernice prilikom postavljanja.



Slika 8 – način postavljanja filtera s aktivnim ugljenom

Montaža filtera aktivnog ugljena vrši se na sljedeći način

1. Postavite odgovarajući filter na njegovo mjesto.
2. Okrenite u smjeru kazaljke na satu kako biste ga zaključali na njegovo mjestu.

Demontaža se odvija obrnutim redoslijedom.

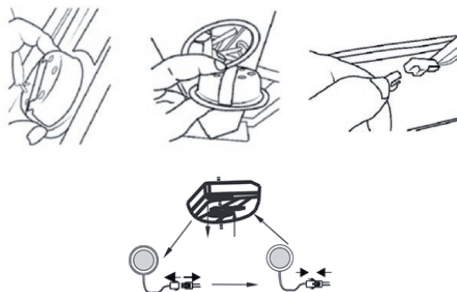
## ZAMJENA SVJETILJKE



Prije zamjene svjetiljke, odspojite aspirator iz električnog napajanja. Pričekajte da se svjetiljka ohladi, inače se možete zapaliti.

Aspirator CH 1760 1T IX imaju 2 kom. 1.5W LED svjetiljke. Za zamjenu neispravne svjetiljke slijedite niže opisani postupak:

- Uklonite aluminijske filtre.
- Stisnite opružne stezaljke u gornjem djelu svjetiljke i gurnite dolje kroz osnovu aspiratora.
- Odvojite priključnicu svjetiljke.
- Uključite novu svjetiljku.
- Montirajte ponovno svjetiljku u osnovi.
- Ponovno montirajte aluminijske filtre.



Slika 9 – zamjena svjetiljki

## ČIŠĆENJE I ODRŽAVANJE



Čišćenje i održavanje ovog uređaja ne smiju obavljati djeca!



Površina može biti oštećena ako se koriste oštri ili abrazivni proizvodi ili pripreme za čišćenje. Nikada ih nemojte koristiti. Od svog dobavljača nabavite odgovarajuće deterdžente i zaštitna sredstva. Površina uređaja i kontrolni elementi su osjetljivi na ogrebotine.

Očistite površinu mekanom vlažnom krpom, deterdžentom za pranje posuđa ili blagim sredstvom za čišćenje stakla. Nije prikladno koristiti suhe krpe, abrazivne spužve, sredstva za trenje, sredstva za čišćenje koje sadrže pijesak, sode za pečenje, kiselinu ili klor, ili druge jake pripravke.

Čistite inox površine samo u smjeru trenja.

Nemojte koristiti deterdžente i vlažne maramice na kontrolnim elementima.

**RIZIK OD SPALJIVANJA, RIZIK OD STRUJNOG UDARA!**

Čekajte uređaj da se ohladi prije čišćenja. Odspojite iz utičnice ili osigurača.

Postoji opasnost od oštećenja uzrokovanih prodorom vlage na elektroničke komponente. Nikada ne očistite kontrolne elemente vlažnom krpom.

**Čišćenje aluminijskih filtera**

Aluminijski filteri zahvaćaju masne čestice sadržane u ispuštenom paru tijekom kuhanja. U normalnoj uporabi (1-2 sata dnevno), čistite aluminijske filtere jednom mjesečno.

Nemojte koristiti previše jake, koji sadrže kiseline ili koji sadrže klor deterdžente.

Pri čišćenju metalnog filtra također očistite mehanizme zadržavanja metalnog filtra na uređaju s vlažnom krpom.

Metalni filtar možete prati u perilici posuđa ili ručno.

**Pranje aluminijskih filtera u perilici posuđa**

U slučaju pranja aluminijskog filtra u perilici za pranje suđa može doći do blage izbjeljivanja. To nema utjecaja na funkcionalnost filtra.

Nemojte prati jako onečišćene aluminijske filtere zajedno s drugim spremnicima.

Stavite aluminijske filtere u perilicu posuđa slobodno ili stojeći bez pritiska na njih.

**Pranje aluminijskih filtera ručno**

Možete koristiti otapala za masnoću kako biste uklonili tvrdokorne mrlje.

Omekšajte mrlje na aluminijskom filteru toplom vodom s deterdžentom za pranje posuđa.

Koristite četku za čišćenje i ispiranje filtera temeljito vodom.

Dopustite aluminijskim filterima da se potpuno osuše prije ponovnog postavljanja natrag u aspirator.



*Redovito čistite aluminijski filtar. Vaš aspirator možda treba raditi pri većim brzinama, jer onečišćeni filtri ograničavaju protok zraka.*

*Koristite brzine uređaja pravilno.*

*Korištenje velikih brzina povećava potrošnju energije.*

**RIZIK OD POŽARA, RIZIK OD OZLJEDE!**

U slučaju kvara ili vanrednih remonta, odspojite uređaj iz utičnice ili osigurača i nazovite ovlaštenu servisnu centar!

Popravke uvijek moraju obavljati ovlaštene servisi ili tehničari.



*Ako je kabel za napajanje oštećen, mora ga zamijeniti proizvođač ili ovlaštena radionica ili kvalificirani tehničar kako bi se izbjegli opasne situacije. Ako su žarulje oštećene, odvojite ih od utičnice ili osigurača. Kako biste izbjegli preopterećenje na druga svjetala, odmah zamijenite oštećene (pričekajte da se svjetla ohlade).*

**OVLAŠTENE SERVISNE INTERVENCIJE**

Ako rasvjeta ne radi:

- Provjerite je li uređaj priključen na električnu mrežu i osigurači nisu oštećeni.
- Provjerite žarulje. Uvjerite se da je uređaj odspojen s mreže dok provjeravate. Pritegnite svjetla ako su labava. Zamijenite ista ako još ne rade.

**Mogući uzroci i radnje koje možete poduzeti bez pozivanja servisera.**

Uređaj uopće ne radi:

- Provjerite je li uređaj priključen na napajanje.
- Provjerite osigurače uređaja i glavne osigurače u Vašem domu.

**Ako uređaj ne radi punom snagom ili proizvodi bučne zvukove dok isti radi:**

- Je li promjer izlaznih cijevi dovoljan? (min. 120 mm)
- Jesu li metalni filteri čisti? Provjeri? Provjerite.
- Ako koristite uređaj bez uklanjanja zraka izvan prostorije, provjerite da filtri s aktivnim ugljenom nisu stari više od 6 mjeseci.
- Uvjerite se da je prostorija dobro prozračena i osigurava dovod zraka. Ako još uvijek niste zadovoljni izvedbom Vašeg aspiratora, kontaktirajte ovlašten servisni centar.

## DIJAGNOSTIKA KVAROVA

Problemi	Razlog	Pomoć
Uređaj ne radi.	Provjerite električni priključak.	Napajanje mora biti 220-240V ~ i uređaj mora biti priključen na uzemljenu utičnicu.
Ventilator ne radi.	Provjerite električni priključak.	Napajanje mora biti 220-240V ~ i uređaj mora biti priključen na uzemljenu utičnicu.
Ventilator ne radi.	Provjerite električni priključak.	Prekidač ventilatora mora biti uključen.
Ventilator ne radi.	Turbina je blokirana.	Isključite uređaj iz napajanja i kontaktirajte servis.
Ventilator ne radi.	Motor je oštećen.	Isključite uređaj iz napajanja i kontaktirajte servis.
Osvjetljenje ne radi.	Provjerite električni priključak.	Prekidač osvjetljenja mora biti uključen.
Osvjetljenje ne radi.	Provjerite električni priključak.	Napajanje mora biti 220-240V ~ i uređaj mora biti priključen na uzemljenu utičnicu.
Osvjetljenje ne radi.	Provjerite svjetiljke.	Svjetiljke moraju biti ispravne.
U uređaju postoje ozbiljne vibracije.	Turbina je oštećena.	Isključite uređaj iz napajanja i kontaktirajte servis.
U uređaju postoje ozbiljne vibracije.	Motor nije čvrsto uhvaćen.	Isključite uređaj iz napajanja i kontaktirajte servis.
U uređaju postoje ozbiljne vibracije.	Uređaj nije čvrsto pričvršćen na zid / pločicu / kuhinjski ormarić.	Isključite uređaj iz napajanja, iskopčajte uređaj iz zida / nosača i fiksirajte pravilno.
Izlazni potok je slab.	Provjerite aluminijski filtar.	Aluminijski filtar treba se prati jednom mjesečno pri normalnoj uporabi.
Izlazni potok je slab.	Provjerite izlaznu cijev.	Izlazna cijev mora biti otvorena.
Izlazni potok je slab.	Provjerite filtar s aktivnim ugljenom.	Ako se koristi ugljični filtar, treba ga zamijeniti svaka 3 mjeseca pri normalnoj uporabi.
Ne vraća natrag zrak (Kada se koristi bez izlaznog dimnjaka).	Provjerite aluminijski filtar.	Metalni filtar treba se prati najmanje jednom mjesečno pri normalnoj uporabi.
Ne vraća natrag zrak (Kada se koristi bez izlaznog dimnjaka).	Provjerite filtar s aktivnim ugljenom.	Ako se koristi ugljični filtar, treba ga zamijeniti svaka 3 mjeseca pri normalnoj uporabi.

## Tehničke značajke

Napajanje	220-240V~/50Hz
Klasa izolacije motora	B
Klasa izolacije	CLASS I




## Smjernice za zaštitu okoliša

Stari električni uređaji sadrže vrijedne materijale i stoga ne bi trebalo ih odlagati zajedno s kućnim smećem! Molimo vas da surađujete sa svojim aktivnim doprinosom očuvanju resursa i okoliša i za prijenos uređaja organiziranim centrima za iskupovanje (ako ih ima).


Хвала Вам што сте изабрали ТЕСИ електрични аспиратор. Ово је производ који помаже да кухиња буде пријатнија при припреми хране. Уз правилан рад и негу како је описано у овим упутствима, уређај ће вам пружити много година корисног рада.

Ово упутство за употребу обухвата инсталацију, рад, одржавање и чишћење следећих модела кућних електричних аспиратора за уградњу с марком ТЕСИ:

- CH 1760 1T IX

 Прочитајте ова упутства пре употребе овог уређаја и чувајте ова упутства за будућу употребу. При промени власника, инструкције за рад се морају пренети заједно са уређајем!

## ВАЖНЕ МЕРЕ ПРЕДОСТОРОЖНОСТИ И УПУТСТВА ЗА БЕЗБЕДНОСТ:

 *Дјеса која су тањије од три године треба се држати на удаљености, осим ако нису под сталним надзором. Деца која имају 3 године до 8 година могу да користе само дугме укљ./икљ. јединице, под условом да је уређај инсталиран и спреман за нормалан рад и она су била уочена и праћена о упутствима о његовом коришћењу на безбедан начин и да занју да то може бити опасно. Деца која имају 3 године до 8 година не би требало да укључи уређај у утичницу, да га подесују да га очисте или да обављају корисничко одржавање. Ова јединица може да се користи од стране деце која имају осам година и од стране лица са смањеним физичким, сензорним или менталним способностима, или недостатком искуства и знања, осим ако су под надзором или инструктована за безбедно коришћење уређаја и разумевају опасности. Деца не би требало да се играју са апаратом. Чишћење и корисничко одржавање не треба се обављати од стране деце без надзором.*

## УПОЗОРЕЊА И МЕРЕ ПРЕДОСТРОЖНОСТИ

- Пре укључивања уређаја, проверите да ли напон наведен на типској плочици одговара напону који се доставља Вашем дому. Кориштени напон вашег уређаја је 220–240 V~/50Hz.
- Овај уређај треба користити само за предвиђену сврху. Уређај није намењен у комерцијалне сврхе. Различите употребе се сматрају нетачним и зато су опасне. Произвођач не може бити одговоран за штету проузроковану неправилном и неразумном употребом. Ако не пружите информације о безбедности, поништити ће гаранцију уређаја!
- Не остављајте ваш дом док је уређај укључен. Уверите се да је искључен.
- Кабл за напајање вашег уређаја опремљен је уземљеним утикачем. Овај кабл мора бити прикључен у уземљену утичницу. Ако је кабл за напајање ове јединице оштећен, престаните да га користите и контактирајте вашег добављача / продавца за даља упутства.
- Немојте прекидати кабал или га уклонити преко оштрих ивица или га поставити на врућу плочу или на отворену ватру!
- Поставите кабл за напајање тако да не омета кретање људи и да се не ступа на исти! Користите само одобрене продуживаче који су погодни за ваш уређај, тј. имати знак усклађености!
- Никада не померајте уређај повлачењем кабла или коришћењем кабла за ношење предмета!
- Електрични прикључак мора извршити квалификовани техничар.
- Инсталирање од стране неовлашћених лица може довести до смањене продуктивности, оштећења уређаја или несрећа.



- Немојте прикључити утикач у утичницу пре завршетка електричног прикључка.
- Утичница мора бити доступна у сваком тренутку тако да се утикач може отпустити уколико је потребно, што је брже могуће!
- Никада не повлачите кабл за напајање нити сами уређај када одспојите кабл за напајање.
- Ако одлучите да престанете са коришћењем овог уређаја, препоручује се да га учините неупотребљивим резањем кабла након што сте га искључили из мреже. Такође је препоручљиво да осигурате сваку опасност која је повезана са уређајем, посебно за децу, која могу користити пригушени уређај (апарат) за игру.
- Немојте додиривати лампе ако су биле дуго време укључене - могу запалити ваше руке јер ће бити вруће.
- Пратите одговарајућа правила и упутства за уклањање ваздуха на отвореном простору.
- Правилна вентилација мора бити обезбеђена у просторији у којој се аспиратор користи истовремено са уређајем који користи плин или друго гориво (Не примењује се на уређаје који враћају чист ваздух натраг у просторију).
- Постоји опасност од пожара ако се не изврши чишћење у складу са упутствима.
- Редовно очистите уређај пре него што га искључите из електричне мреже.
- Никада не додирујте уређај мокрим или влажним рукама - постоји опасност по живот!
- Храна која гори (фламбе) не треба кувати испод аспиратора.
- Очишћени ваздух се не сме испразнити у димњак који се користи за испуштање издувних гасова од уређаја који користе гас или друга горива (Не примењује се на уређаје који враћају пречишћени ваздух у просторију).
- Приликом уградње уређаја пратите минимално растојање између површине плоче на којој се налази посуда за кување. Када је аспиратор постављен изнад кућног уређаја који користи гас, растојање мора бити најмање 65 цм. Уколико инструкције на самом плинском штедњаку показују већу удаљеност, иста би требало узети у обзир. Удаљеност од 65 центиметара може се смањити за незапаљиве делове аспиратора и за делове који раде под сигурносним пренапонима, а у случају деформације ови делови неће дозволити приступ деловима који се налазе под напоном.
- Укључите аспиратор након постављања лонца, тањира или друге посуђе на плочи за кување. У супротном, високе температуре могу деформирати неке делове аспиратора.
- Не остављајте вруће уље на плочу за кување. Кухињски судови који садрже вруће уље могу изазвати самопаљење.
- Чувајте завесе и ћебад током кувања хране, као што је пржење, јер их уље може упалити
- Уверите се да се филтери благовремено замењују. Неблаговремено замењени / очишћени филтери представљају ризик од пожара због масти депонованог на њих.
- Не користите материјале који нису отпорни на топлоту уместо филтера.
- Не користите аспиратор без алуминијумских филтера; немојте уклањати филтере док уређај ради.
- У случају пожара искључите напајање аспиратора и штедњака. (Искључите уређај из утичнице или прекините осигураче.
- Искључите аспиратор током његовог одржавања. (Искључите уређај из утичнице или прекините осигураче).
- Ако аспиратор и други неелектрични уређаји раде истовремено, негативни притисак у просторији не би требало да буде већи од 4 Ра.
- Ако је на истом месту где је аспиратор такође се налази уређај који користи течност или гасно гориво, овај уређај мора бити херметички затворен.
- Ако изводите ваздух ван кроз димњак, користите цијеви са пречником 120 или 150 мм. Прикључак цеви мора бити што краћи и да укључује што је могуће више обртаја.
- Користите прекидач са максималном струјом од 6 ампера при уградњи аспиратора за вашу сигурност.
- Ако је кабл оштећен, мора да га замени ауторизована радионица или квалификовани техничар да би се избегле опасне ситуације.
- У случају пожара, прекините напајање уређаја, згушите ватру; никада не користите воду. .

## РАСПАКИВАЊЕ УРЕЂАЈА

- Након распакивања уређаја, проверите да исти није оштећен током транспорта и да је у потпуности упакован! У случају оштећења или некомплетне испоруке, обратите се Вашем овлашћеном продавцу!
- Не бацајте оригиналну кутију! Може се користити за складиштење и транспорт, како би се избјегла штета од транспорта!
- Одлагање амбалажног материјала треба урадити на одговарајући начин! Деца треба пазити да се не играју са полиетиленским врећицама!

## САДРЖАЈ КУТИЈЕ

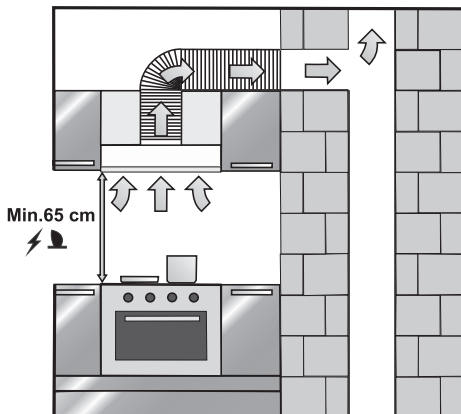
Комплет може варирати у зависности од модела:

### СН 1760 1Т IX

- Аспиратор СН 1760 1Т IX
- Сет алуминијумских филтера
- Горње и доње димњачко тело
- Плоча за фиксирање аспиратора
- Плоча за фиксирање димњачких тела
- Повратни вентил
- Флексибилна цев
- Прелазник Ø150 mm - Ø120 mm
- Комплет за монтажу
- Упутство за употребу
- Гаранцијска картица
- Лист о енергији
- Производни лист

## ОДРЕЂИВАЊЕ МЕСТА ЗА МОНТАЖУ АСПИРАТОРА

При монтажи аспиратора мора се поштовати размак од најмање 65 цм између њега и површине на којој се поставља посуђе за кување.

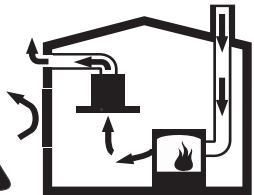


Слика 1 – захтев за минимално растојање од радне површине



### РИЗИК ОД ТРОВАЊА И СМЪРТИ!

Постоји ризик од тровања изазваног удицањем издувних гасова. Уређај не користите истовремено са уређајима који емитују отровне гасове кроз димњак, као што су гас, угљ, нафта или дрва, осим ако није обезбеђена адекватна вентилација. Овакви грејачи користе ваздух за сагоревање са места инсталације и емитују издувне гасове кроз димоводни систем (димњак). Ваздух се усисава из кухиње или суседне собе при радећим аспиратором. Вакум се добија ако се не осигурава приток свежег ваздуха. У овом случају, издувни гасови се усисавају од издувних цеви и улазе натраг у просторију. Из тог разлога, неопходно је осигурати правилна вентилација простора.



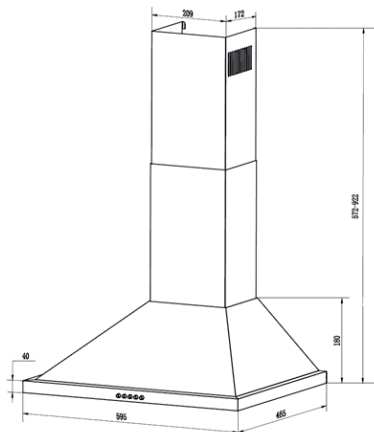
### РИЗИК ОД ПОЖАРА!

Монтирање уређаја изнад апарата за сагоревање чврстог горива (дрвета или угља) дозвољено је само ако постоји уређај који се не демонтује. Неопходно је поштовати локалне регулативе у односу на електричну мрежу.

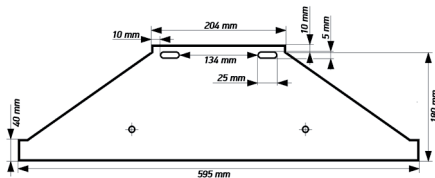
Уколико се уређај не очисти у складу са упутствима за чишћење, могуће је исисати варнице или друге мале горуће честице и да изазове ватру.

## УПУТСТВО ЗА МОНТАЖУ

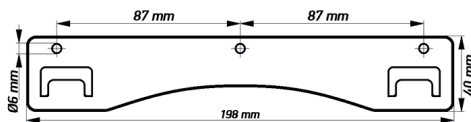
Аспиратор каминског типа серије СН су предвиђени за монтажу на зид. На слици 3 доље приказана су растојања за монтажне отворе.



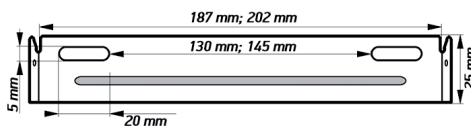
Слика 2 – Димензије SL 1760 1T IX



Слика 3 – Шема монтажних отвора



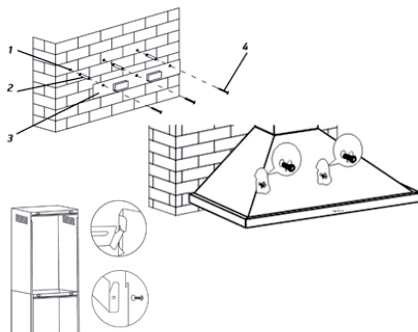
Слика 4 – Шема монтажних плоча за аспиратор



Слика 5 – Шема монтажне плоче за димњачка тела

Причвршћивање монтажне плоче и аспиратора на зид:

- Означите на зиду и избушите најмање 2 отвора (по могућности спољашњи) са пречником  $\varnothing 8$  mm за плочу за причвршћивање аспиратора.
- Ставите пластичне клинове у отворе избушене у зиду.
- Вијцима причврстите плочу на зид.
- Заврните вијке до краја.
- Објесите аспиратор на плочи.
- Означите доње отворе.
- Сकिनите аспиратор са плоче.
- Избушите 2 рупе са пречником  $\varnothing 8$  mm и поставите клинове у рупе.
- Објесите уређај на плочи.
- Заврните вијке у доње отворе да бисте причврстили уређај на зид. Уверите се да је аспиратор чврсто причвршћен за зид.
- Означите жљебове на две монтажне плоче за два димњачка тела, у зависности од потребне висине. Имајте на уму да је плоча за доње димњачко тело дужа од исте за горње.
- Избушите рупе и поставите клинове у њих.
- Причврстите плоче на зид помоћу вијака.
- Повежите флексибилну алуминијумску цев са излазом аспиратора димњаком, имајући у виду да кривине и завоји смањују апсорпциону снагу и треба исте да буду сведене на минимум.
- Уверите се да се веза неће олабавити када уређај ради са максималном снагом.
- Монтирајте димњачка тела и учврстите их вијцима.



Слика 6 – монтажа аспиратора

**⚠ РИЗИК ОД СТРУЈНОГ УДАРА!**  
Немојте савијати или притискати кабл за напајање током инсталације! Ви ризикујете да исти оштетите.

**⚠ РИЗИК ОД ОЗЛЕДЕ!**  
Постоји опасност од озледе током инсталације због оштрих ивица. Увек користите заштитне рукавице током инсталације.

Сви сигурносни завртњи и заштитни поклопци морају бити уграђени како је описано у упутству јер постоји опасност од пада.

### КОРИШТЕЊЕ АСПИРАТОРА

**⚠** Доступни делови могу постати врући током рада уређаја у комбинацији с укљученим радним плочама испод њега.

Управљање аспиратора СН 1760 1Т IX се врши са пет округлих дугмади који се налазе на предњем панелу аспиратора за практичност и лак приступ. Најдесно дугме је за укључивање / искључивање осветљења, а остала четири служе за контролу брзине вентилације. Притиском на дугме OFF аспиратор се искључује.



Слика 7– дугмад за управљање СН 1760 1Т IX

Опис функцијских дугмади приказаних на слици 7

- ⓪ – Дугме за искључивање вентилације
- ① – 1ва брзина вентилације
- ② – 2га брзина вентилације
- ③ – 3ћа брзина вентилације
- Ⓢ – Дугме за укључивање / искључивање осветљења

Са овим моделом имате опцију да окренете аспиратор на жељену брзину вентилације, на пример на брзину III, или од I да пребаците на III и обрнуто.

### КОРИШТЕЊЕ АСПИРАТОРА СА И БЕЗ ФИЛТРА СА АКТИВНИМ УГЉЕНОМ

**✎** Немојте користити уређај без филтера!

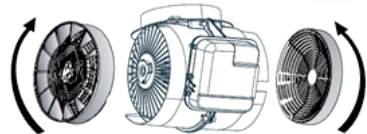
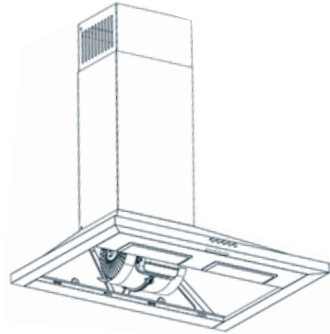
Аспиратори TESI серије СН пројектовани су за рад са стандардним алуминијумским филтерима, као и филтерима са активним угљеном који се могу купити засебно.

У одсуству димњака у просторији, аспиратор треба да се користи са филтером са активним угљеном за пречишћавање ваздуха. Овај филтер није укључен у комплету, али се може купити код вашег продавца или сервисера. У том случају, филтер треба заменити сваких 3 до 5 мјесеци, овисно о учесталости кориштења.

**⚠** Никада не перите филтер са активним угљеном. Чувати ван домаћаја деце.

**✎** Пре замене филтера са активним угљеном, обавезно искључите напајање тако што ћете извадити кабл из утикача или искључити осигурач.

Филтри са активним угљеном су у комбинацији (лев и десан) и морају се поштовати њихови правци приликом монтаже.



Слика 8 – метода инсталације филтера са активним угљеном

Монтажа филтера са активним угљем врши се на следећи начин:

1. Поставите одговарајући филтер на његово место.
2. Окрените у смеру казаљке на сату да бисте га закључали на његово место.

Демонтажа се одвија обрнутим редослиједом.

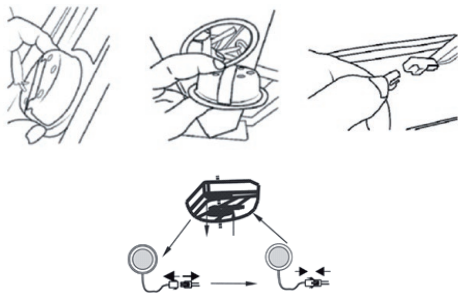
## ЗАНЕБА ЛАМПИЦЕ



*Пре замене лампице, искључите уређај из електричне мреже. Сачекајте да се лампица охлади, иначе се можете запалити.*

Аспиратор CH 1760 1T IX има 2 ком. 1.5W LED лампице. Да бисте заменили неисправну лампицу, пратите следећу процедуру

- Уклоните алуминијске филтере.
- Стисните опружне стезаљке у горњем делу лампице и гурните их кроз основу аспиратора.
- Одвојите конектор лампице.
- Укључите нову лампицу.
- Монтирајте поново лампицу у основи.
- Монтирајте поново алуминијске филтере.



Слика 9 – замена лампица

## ЧИШЋЕЊЕ И ОДРЖАВАЊЕ



*Чишћење и одржавање овог електричног уређаја не треба се изводити од стране деце!*



*Површина може бити оштећена ако се користе оштри или абразивни производи или препарати за чишћење. Никада не користите такве. Добијте одговарајуће детерџенте и средства за заштиту од Вашег. Површина уређаја и контролни елементи су осетљиви на огреботине.*

Очистите површину меком влажном крпом, детерџентом за прање посуђа или благим средством за чишћење стакла. Није прикладно користити суве крпице, абразивне спужве, супстанце које захтевају трење, средства за чишћење са песком, сода за сапун, киселина или хлор или други јаки препарати.

Чистите инокс површине само у смеру трења.

Немојте користити средства за чишћење и влажне марамнице на контролним елементима.



**РИЗИК ОД СПАЉИВАЊА, РИЗИК ОД СТРУЈНОГ УДАРА!**

*Сачекајте да се апарат охлади пре чишћења. Искључите Искључите утичницу или осигураче. Постоји ризик од оштећења додира влаге на електронске компоненте. Никад не чистите командне елементе влажном крпом.*

### Чишћење алуминијумских филтера

Алуминијумски филтери захватају масне честице садржане у пари ослобођене приликом кувања. У нормалној употреби (1-2 сата дневно), једном месечно очистите алуминијумске филтере.

Немојте користити превише јаке, који садрже киселину средства за чишћење или који садрже хлор.

Током чишћења металног филтера такође очистите механизме задржавања металног филтера на уређају са влажном крпом.

Метални филтер можете да перете у машини за прање судова или ручно.

### Прање алуминијумских филтера у машини за прање судова

У случају прања алуминијумског филтера у машини за прање посуђа може доћи до благог бељења. Ово нема утицаја на функционалност филтера.

Немојте прати високо загађене алуминијумске филтере заједно са другим судовима.

Ставите алуминијумске филтере у машину за прање посуђа слободно или да стоје без притиска на њих.

## Прање алуминијских филтера ручно

За уклањање тврдоглих мрља можете користити растварач масти.

Очистите мрље на алуминијумском филтеру са топлим водомк помоћу детерџента за прање судова.

Користите четку за чишћење и и добро исперите филтере водом.

Оставите алуминијумске филтере да се потпуно осуше пре него што их уградите натраг у аспиратору.



*Редовно чистите алуминијумске филтере. Ваш аспиратор ће можда морати да ради на већим брзинама јер загађени филтери ограничавају проток ваздуха. Користите исправно брзине уређаја. Коришћење великих брзина повећава тренутну потрошњу.*



### **РИЗИК ОД ПОЖАРА РИЗИК ОД ОЗЛЕДЕ!**

*У случају неисправности или поправке у хитним случајевима, искључите уређај из утичнице или осигураче и позовите овлашћени сервисни центар! Поправке увек морају да обављају овлашћени сервисери или техничари.*



*Ако је кабл за напајање оштећен, мора га заменити произвођач или овлашћена радионица или квалификовани техничар да би избегли опасне ситуације. Ако су сијалице оштећене, извуците из утичнице или осигурача. Да бисте избегли преоптерећење других лампи, одмах замените оштећене (сачекајте док се сијалице не охладе).*

## АУТОРИЗОВАНИ СЕРВИСНЕ ИНТЕРВЕНЦИЈЕ

Ако осветљење не ради:

- Уверите се да је уређај прикључен на мрежу, а осигурачи нису оштећени.
- Проверите сијалице. Уверите се да је уређај искључен из мреже док проверавате. Затегните светла ако су слободни. Замените иста ако још не раде.

### **Могући узроци и радње које можете предузети без позивања сервисних радника.**

#### **Уређај уопште не ради:**

- Проверите да ли је уређај укључен у напајање.
- Проверите осигураче уређаја и главне осигураче у Вашем дому.

#### **Ако уређај не ради на пуној снази или ствара бучне звуке док ради:**

- Да ли је пречник одводних цеви довољан? (мин. 120мм)
- Да ли су метални филтери чисти? Проверите.
- Ако уређај користите без уклањања ваздуха изван просторије, уверите се да филтери са активним угљем нису старији од 6 месеци.

## ДИЈАГНОСТИКА КВАРОВА

Проблеми	Разлог	Помоћ
Уређај не ради.	Проверите електрични прикључак.	Напајање би требало да буде 220-240V~ и уређај мора бити укључен у уземљену утичницу.
Вентилатор не ради.	Проверите електрични прикључак.	Напајање би требало да буде 220-240V~ и уређај мора бити укључен у уземљену утичницу.
Вентилатор не ради.	Проверите електрични прикључак.	Прекидач вентилатора мора бити укључен.
Вентилатор не ради.	Турбина је блокирана.	Искључите уређај из извора напајања и контактирајте сервис.
Вентилатор не ради.	Мотор је оштећен.	Искључите уређај из извора напајања и контактирајте сервис.
Осветљење не ради.	Проверите електрични прикључак.	Прекидач осветљења мора бити укључен.
Осветљење не ради.	Проверите електрични прикључак.	Напајање би требало да буде 220-240V~ и уређај мора бити укључен у уземљену утичницу.
Осветљење не ради.	Проверете лампите.	Лампе морају бити исправне.
Постоје озбиљне вибрације у уређају.	Турбина је оштећена.	Искључите уређај из извора напајања и контактирајте сервис.
Постоје озбиљне вибрације у уређају.	Мотор није чврсто ухваћен.	Искључите уређај из извора напајања и контактирајте сервис.
Постоје озбиљне вибрације у уређају.	Уређај није сигурно причвршћен за зид / плочицу / кухињски ормарић.	Искључите уређај из извора напајања, ископчајте апарат из зида / држача и исправно га учврстите.
Излазни поток је слаб.	Проверите алуминијумски филтер.	Алуминијумски филтер се треба прати једном месечно у нормалној употреби.
Излазни поток је слаб.	Проверите излазну цев.	Излазна цев мора бити отворена.
Излазни поток је слаб.	Проверите филтер са активним угљеном.	Ако се користи карбонски филтер, треба га заменити једном у 3 месеца у нормалној употреби.
Не враћа ваздух натраг (Када се користи без излазног димњака).	Проверите алуминијумски филтер.	Метални филтер се треба прати најмање једном месечно у нормалној употреби.
Не враћа ваздух натраг (Када се користи без излазног димњака).	Проверите филтер са активним угљеном.	Ако се користи карбонски филтер, треба га заменити једном у 3 месеца у нормалној употреби.

### Техничке карактеристике

Напајање	220-240V~/50Hz
Класа изолација мотора	B
Класа изолација	CLASS I




### Упуте за заштиту природне околине

Стари електрични уређаји садрже вредне материјале и стога не би требало их одлагати с комуналним смећем! Молим Вас да сарађујете са својим активним доприносом за заштиту природне околине и пренети уређај организованим центрима за куповање (ако такви постоје).


Zahvaljujemo se vam, ker ste izbrali električno kuhinjsko napo TESE. To je izdelek, ki vam bo zagotovil bolj prijetno atmosfero v kuhinji med pripravo hrane. Če boste napravo uporabljali pravilno in skrbeli zanjo, kot je opisano v navodilih, bo dolga leta pravilno delovala.

Instrukcije za uporabo vključujejo montažo, delovanje, vzdrževanje in čiščenje naslednjih modelov kaminske kuhinjske nape znamke TESI

- CH 1760 1T IX

 *Prosimo, preberite ta navodila, preden začnete uporabljati napravo, in jih shranite, da jih boste lahko kadarkoli spet prebrali. Če naprava zamenja lastnika, mu morate navodila izročiti skupaj z napravo.*

#### **POMEMBNI VARNOSTNI UKREPI IN VARNOSTNA NAVODILA:**

 **Otroci do 3 leta se ne smejo približevati napravi, razen če so pod stalnim nadzorom odrasle osebe.**

*Otroci, stari od 3 do 8 let, lahko uporabljajo samo gumb za vklop/izklop naprave, toda le ko je naprava pravilno nameščena in deluje normalno. Pred tem je potrebno otroke naučiti varne uporabe gumba in jim razložiti možne nevarnosti nepravilne uporabe.*

*Otroci, stari od 3 do 8 let, ne smejo priklapljeni naprave v vtičnico, določati nastavitve, čistiti naprave ali jo vzdrževati.*

*To napravo lahko otroci nad 8 letom starosti in osebe z zmanjšanimi fizičnimi, čutnimi ali umskimi sposobnostmi ter osebe s pomanjkljivim znanjem in izkušnjami, lahko uporabljajo samo, če jih pri tem nadzoruje in daje navodila za uporabo oseba, ki odgovarja za njihovo varnost. Pazite, da se otroci ne igrajo z napravo. Otroci brez nadzora ne smejo opravljati čiščenja in vzdrževanja naprave.*

#### **OPOZORILA IN VARNOSTNI UKREPI**

- Preden vklopite napravo, preverite, če električna napetost, navedena na etiketi z informacijami, ustreza napetosti v vašem domu. Napetost delovanja naprave je 220–240 V~/50Hz.
- Ta naprava se lahko uporablja samo skladno z njenim namenom. Naprava ni namenjena za gospodarske objekte. Vsak drug način uporabe je nepravilen in zato tudi nevaren. Proizvajalec ne odgovarja za poškodbe, povzročene z nepravilno in nespametno uporabo. Pri neupoštevanju varnostnih napotkov se garancijski rok za napravo prekine!
- Izklopite napravo, preden zapustite dom. Prepričajte se, da je naprava izklopljena.
- Napajalni kabel vaše naprave ima ozemljeno vtič. Ta kabel morate vključiti v ozemljeno vtičnico. Če je napajalni kabel naprave poškodovan, naprave ne

uporabljajte in kontaktirajte dobavitelja/prodajalca za dodatna navodila.

- Ne prepogibajte kabla, ne vlecite ga preko ostrih robov, ne polagajte ga na vroče plošče ali odprti ogenj!
- Kabel naprave naj bo položen tako, da ne moti gibanja ljudi in se ga ne pohoja! Uporabljajte samo odobrene električne podaljške, ki so primerni za to napravo, t.j. ki imajo oznako skladnosti!
- Nikoli ne predstavljajte naprave tako, da jo vlečete za kabel in ne uporabljajte kabla za prenašanje predmetov!
- Povezavo z električnim omrežjem mora opraviti usposobljen tehnik.
- Če napravo nameščajo nepooblaščen osebe, lahko to povzroči slabše funkcioniranje, poškodovanje naprave ali nesrečo.



- Ne vklaplajte naprave, dokler električna povezava ni zaključena.
- Vtičnica mora biti vedno dostopna, da lahko po potrebi vtič izвлеčemo kar najhitreje!
- Pri izklopu iz omrežja nikoli ne vlecite napajalnega kabla ali naprave.
- Če se odločite prenehati uporabljati to napravo, priporočamo, da jo naredite neuporabno: izvlecite kabel iz vtičnice in ga prerežite. Priporočamo tudi, da odstranite vse nevarnosti, povezane z neuporabno napravo, še posebno pred otroci, ki bi se lahko igrali z njo.
- Ne dotikajte se luči, če so bile dolgo časa prižgane – lahko se opečete, ker so vroče.
- Upoštevajte pravila in navodila za odvod zraka iz prostora.
- V prostoru, v katerem se bo uporabljala kuhinjska napa skupaj z napravo na plin ali drugo gorivo, je potrebno zagotoviti dobro prezračevanje (ne velja za naprave, ki vračajo prečiščen zrak nazaj v prostor).
- Obstaja nevarnost požara, če se čiščenje naprave ne opravi po navodilih.
- Redno čistite napravo, ki jo je potrebno obvezno pred tem izklopiti iz električnega omrežja.
- Nikoli se ne dotikajte naprave z mokrimi ali vlažnimi rokami – obstaja smrtna nevarnost!
- Nikoli ne flambirajte hrane pod nabo.
- Prečiščen zrak ni potrebno odvajati preko dimnika, ki se uporablja za odvajanje plinov in dima iz naprav na plin ali drugo gorivo (ne velja za naprave, ki vračajo prečiščen zrak nazaj v prostor).
- Pri montaži je potrebno upoštevati minimalno razdaljo od površine štedilnika, na katero se postavlja posoda. Napa mora biti nameščena vsaj 65 cm nad štedilnikom. Če navodila plinskega štedilnika zahtevajo večjo razdaljo, jih je treba upoštevati. Pod 65 cm so lahko nameščeni samo negorljivi deli nape in deli, ki delujejo pri varni izredno nizki napetosti, vendar bo deformacija teh delov preprečila dostop do delov pod napetostjo.
- Nabo prižgite potem, ko ste na štedilnik postavili ponev, lonec ali drugo posodo. V nasprotnem primeru lahko visoka temperatura deformira nekatere dele nape.
- Ne puščajte vročega olja na štedilniku. Posoda z vročim oljem se lahko vžge.
- Pazite na zaveso in prte med kuhanje, zlasti pri cvrenju, saj jih lahko olje zažge.
- Prepričajte se, da se filtri menjajo pravočasno. Nepravočasna menjava/čiščenje filtrov predstavlja nevarnost tveganja požara zaradi maščobe, ki se je nalepila po njih.
- Namesto filtrov ne uporabljajte materialov, ki niso odporni na visoke temperature.
- Ne uporabljajte nape brez aluminijastih filtrov; ne odstranjujte filtrov, ko naprava deluje.
- V primeru požara izklopite nabo in štedilnik iz električnega omrežja. (Izklopite kabel naprave iz vtičnice ali odvijte varovalko.)
- Izklopite nabo med vzdrževanjem. (Izklopite kabel naprave iz vtičnice ali odvijte varovalko.)
- Če sta napa in naprava, ki deluje na različno energijo od električne, vklopljeni hkrati, mora biti podtlak v prostoru največ 4 Pa.
- Če je na istem mestu, kjer je napa, nameščena tudi naprava na tekoče ali plinsko gorivo, mora biti le'ta hermetično zaprta.
- Če odvajate zrak skozi dimnik, uporabite cevi s premerom 120 ali 150 mm. Cevodvod mora biti čimkrajši in s čimmanj krivinami.
- Za svojo varnost uporabljajte varovalko z maksimalnim tokom 6 amperov pri nameščanju nape.
- Če je kabel poškodovan, ga mora zamenjati pooblaščen servis ali usposobljen tehnik, da se izognete nevarnim situacijam.
- V primeru požara izklopite nabo iz električnega omrežja in pogasite ogenj; nikoli ne uporabljajte vode.

#### ODSTRANJEVANJE EMBALAŽE

- Ko izpakirate napravo, preverite, če je pri prevozu prišlo do poškodb in če imate vse dele!
- V primeru, da vidite poškodbo ali je dobava nepopolna, se povežite z vašim pooblaščenim prodajalcem!
- Ne vrzite stran originalne škatle! Lahko jo uporabljate za shranjevanje ali prevoz in se s tem izognete poškodbam pri prevozu!
- Embalažo odvrzite na primeren način! Pazite, da se otroci ne bodo igrali s polietilenskimi vrečami!

**VSEBINA PAKETA**

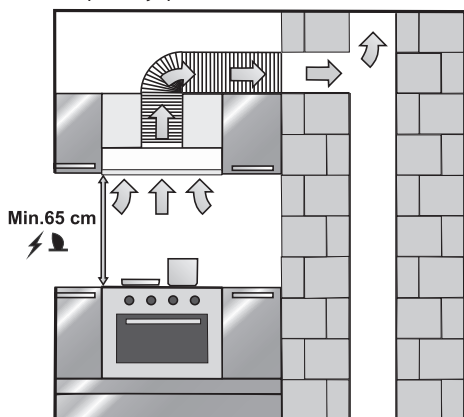
Vsebina paketa se lahko razlikuje glede na model:

**CH 1760 1T IX**

- kuhinjska napa CH 1760 1T IX
- komplet aluminijastih filtrov
- zgornji in spodnji dimniški del
- profil za pritrnitev nape
- profila za pritrnitev dimniškega dela
- zaporna loputa
- gibljiva cev
- vezni element Ø150 mm - Ø120 mm
- montažni komplet
- navodila za uporabo
- garancijska karta
- energijska oznaka
- podatkovni list izdelka

**DOLOČANJE MESTA ZA NAMESTITEV NAPE**

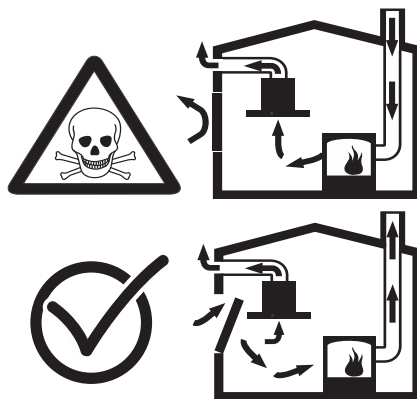
Pri nameščanju nape je potrebno upoštevati razdaljo najmanj 65 cm od nape do površine štedilnika, na katero se postavlja posoda.



Slika 1 – zahteva za minimalno razdaljo od delovne površine

**NEVARNOST ZASTRUPITVE IN SMRTI!**

Obstaja nevarnost zastrupitve zaradi vdihovanja odpadnih plinov. Če niste zagotovili dobrega prezračevanja, ne uporabljajte naprave hkrati z drugimi napravami, ki odvajajo strupene pline skozi dimnik, npr. peči na plin, premog, nafto ali drva. Take peči dobivajo zrak za gorenje z mesta, kjer je nameščena naprava, odpadne pline pa odvajajo skozi dimnik. Ko naprava deluje, se zrak vsesava iz kuhinje ali sosednjega prostora. Če se ne zagotovi dotok svežega zraka, nastane vakuum. V takem primeru izhodne cevi odpadne pline vsesajo nazaj in vrnejo v prostor. Zaradi tega je potrebno zagotoviti primerno prezračevanje prostora.

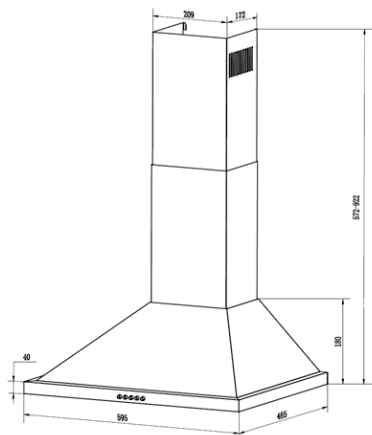
**NEVARNOST POŽARA!**

Nameščanje naprave nad drugo napravo na trdo gorivo (drva ali premog) je dovoljeno samo, če uporabljate nerazstavljivo napravo. Potrebno je upoštevati lokalne predpise o uporabi električnega omrežja.

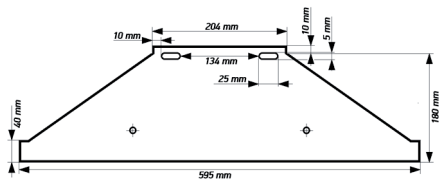
Če naprava ni počiščena po navodilih za čiščenje, je možno, da vsesa iskre ali druge majhne goreče delce in da pride do požara.

**NAVODILA ZA MONTAŽO**

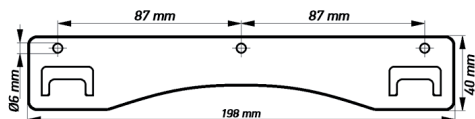
Kaminske kuhinjske nape serije CH so namenjene montaži na steno. Na sliki 3 spodaj so prikazane razdalje za montažne odprtine.



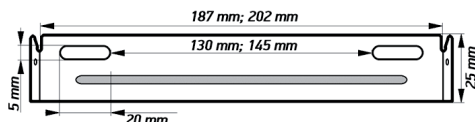
Slika 2 – Mere SL 1760 1T IX



Slika 3 – Načrt montažnih odprtín



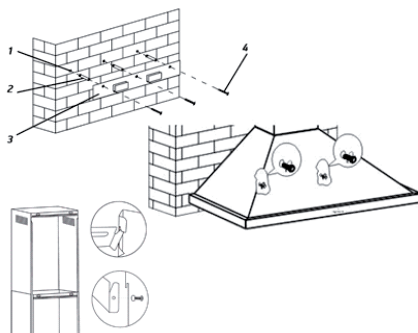
Slika 4 – Načrt montažne profila za nape



Slika 5 – Načrt montažne profila za dimniški del

Pritrditev montažnega profila in nape na steno:

- Na steni označite in izvrtajte vsaj 2 izvrtini (priporočljivo zunanje) s premerom  $\varnothing 8$  mm za profil za namestitev nape.
- Vstavite plastične zidne vložke v izvrtine v steni.
- Pritrdite profil na steno z vijaki.
- Vijake privijte do konca.
- Namestite nape na profil.
- Označite spodnje odprtine.
- Snemite nape s profila.
- Izvrtajte 2 izvrtini s premerom  $\varnothing 8$  mm in vstavite zidna vložka.
- Namestite nape na profil.
- Privijte vijaka v spodnji izvrtini, da fiksirate napravo na steno. Prepričajte se, da je napa čvrsto pritrjena na steno.
- Označite utore obeh montažnih profilov na obeh dimniških delih v primerni višini. Upoštevajte, da je profil spodnjega dimniškega dela daljši kot zgornja.
- Izvrtajte izvrtine in vstavite zidne vložke vanje.
- Pritrdite profila na steno z vijaki.
- Povežite gijljivo aluminijasto cev na izhod nape in odprtino za dim in pri tem upoštevajte, da prepigibanja in krivine zmanjšujejo sesalno moč, zato priporočamo, da jih je čimmanj.
- Prepričajte se, da se povezava ne bo zrahljala, ko bo naprava delovala z največjo močjo.
- Montirajte dimniška dela in ju pritrdite z vijaki.



Slika 6 – Montaža nape

**NEVARNOST UDARA ELEKTRIČNEGA TOKA!**  
Med nameščanjem naprave ne prepogibajte ali pritiskajte napajalnega kabla! Tvegate poškodbo kabla.

**NEVARNOST POŠKODBI!**  
Med nameščanjem naprave obstaja tveganje poškodb zaradi ostrih robov. Med nameščanjem vedno nosite zaščitne rokavice.

Vsi varovalni vijaki in varovalne pregrade morajo biti montirane, kot je navedeno v navodilih, da preprečite tveganje padca.

## UPORABA NAPE

**NEVARNOST!** Dostopni deli se lahko segrejejo med delovanjem naprave, sploh v kombinaciji z delujočim štedilnikom pod njo.

Upravljanje nape CH 1760 1T IX poteka preko petih okroglih gumbov, ki se nahajajo na sprednji ploskvi nape za večje udobstvo in lažji dostop. Prvi gumb na desni je za vklop/izklop osvetlitve, ostali štirje pa so namenjeni upravljanju hitrosti ventilacije. S pritiskom na gumb OFF se napa izklopi.



Slika 7 – gumbi za upravljanje CH 1760 1T IX

Opis funkcijskih gumbov, prikazanih na sliki 7

- Ⓜ – gumb za izklop ventilacije
- ① – prva hitrost ventilacije
- ② – druga hitrost ventilacije
- ③ – tretja hitrost ventilacije
- Ⓜ – gumb za vklop/izklop osvetlitve


Pri tem modelu imate možnost, da vklopite nape na hitrost, ki jo želite, na primer na tretjo hitrost, ali prestavite s prve na tretjo hitrost ali obratno.


## SL UPORABA NAPE S ALI BREZ FILTRA Z AKTIVNIM OGLJIKOM

 *Ne uporabljajte naprave brez filtrov!*

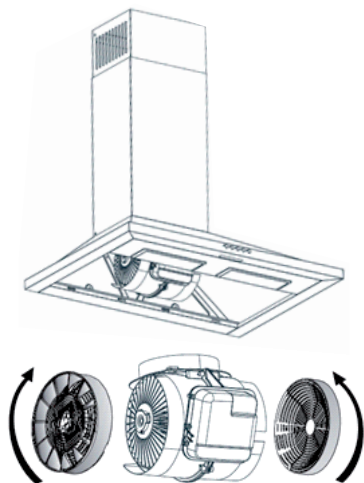
Kuhinjske nape TESY serije CH delujejo s standardnimi aluminijastimi filtri ter s filtri z aktivnim ogljikom, ki jih lahko kupite posebej.

Kadar v prostoru ni odprtine za dim, je potrebno uporabljati filter z aktivnim ogljikom za čiščenje zraka. Ta filter ni vključen v komplet, lahko pa ga kupite pri vašem dobavitelju ali servisni službi. V tem primeru morate filter zamenjati na vsakih 3 do 5 mesecev, odvisno od uporabe naprave.

 *Nikoli ne perite filtra z aktivnim ogljem. Pazite, da se z njim ne igrajo otroci.*

 *Preden zamenjate filter z aktivnim ogljikom, obvezno izključite napo iz električnega omrežja tako, da izklopite napajalni kabel iz vtičnice ali izključite varovalko.*

Filtri z aktivnim ogljem so v kompletu (lev in desni) in pri montaži je potrebno upoštevati pravilno smer.




Slika 8 – način namestitve filtrov z aktivnim ogljem

Montaža filtrov z aktivnim ogljem poteka na naslednji način

1. Postavite ustrezen filter na njegovo mesto.
2. Zavrtite ga v smeri urnega kazalca, da ga dobro pritrdite na mesto.

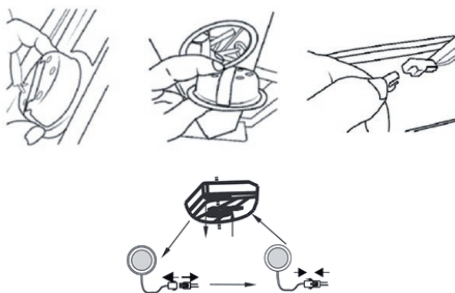
Demontaža poteka v obratnem vrstnem redu.

## MENJAVA LUČI

 *Predn zamenjate luči, izključite napo iz električnega omrežja. Počakajte, da se luči ohladijo, da se ne opečete.*

Kuhinjska napa CH 1760 1T IX ima dve 1.5W LED luči. Če želite zamenjati okvarjeno luč, upoštevajte naslednja navodila


- Snemite aluminijaste filtre.
- Stisnite vzmetno objemko na zgornjem delu luči in jo potisnite navzdol skozi spodnji del nape.
- Odklopite konektor luči.
- Priklopite novo luč.
- Luč zopet namestite v spodnji del nape.
- Zopet namestite aluminijaste filtre



Slika 9 – menjava luči

## ČIŠČENJE IN VZDRŽEVANJE

 *Otroci ne smejo opravljati čiščenja in vzdrževanja te naprave!*

 *Nikoli ne uporabljajte ostrih ali abrazivnih čistilnih naprav ali sredstev, saj lahko poškodujete površino naprave. Kupite primerna čistilna in zaščitna sredstva pri vašem dobavitelju. Površina naprave in nadzorni elementi se lahko hitro opraskajo.*

Napravo počistite z mehko vlažno krpo, sredstvom za pomivalni stroj ali blagim čistilom za stekla. Ni primerno uporabljati suhe krpe, abrazivne gobe, sredstva, ki jih je treba drgniti, čistila, ki vsebujejo pesek, sodo, kislino ali klor ali druga agresivna sredstva.

Površine iz nerjavečega jekla čistite samo v smeri drgnjenja.

Ne uporabljajte čistil in mokrih krp za čiščenje nadzornih elementov.

**NEVARNOST OPEKLIN, NEVARNOST UDARA ELEKTRIČNEGA TOKA!**

*Preden začnete čistiti napravo, počakajte, da se ohladi. Izklopite jo iz električnega omrežja.*

*Obstaja nevarnost poškodb, povzročenih zaradi vdora vlage v elektronske dele. Nikoli ne čistite nadzornih elementov z vlažno krpo.*

**Čiščenje aluminijastih filtrov**

Aluminijasti filtri lovijo mastne delčke, ki jih vsebuje para pri kuhanju. Pri normalni uporabi (1-2 uri dnevno) je potrebno aluminijaste filtre počistiti enkrat na mesec.

Ne uporabljajte preveč agresivnih sredstev, ki vsebujejo kisline ali klor.

Ko čistite aluminijaste filtre, počistite tudi mehanizem za pritrjevanje filtrov z vlažno krpo.

Aluminijaste filtre lahko operete v pomivalnem stroju ali ročno.

**Čiščenje aluminijastih filtrov v pomivalnem stroju**

Če filtre čistite v pomivalnem stroju, lahko nekoliko posvetlijo. To ne vpliva na funkcioniranje filtra.

Ne perite zelo umazanih filtrov skupaj z drugo posodo.

Zložite aluminijaste filtre v pomivalni stroj pokonci, da se ne dotikajo drug drugega.

**Čiščenje aluminijastih filtrov ročno**

Za odstranjevanje trdovratnih madežev, lahko uporabite topilo za maščobe.

Za lažje odstranjevanje madežev namočite aluminijasti filter v vročo vodo z detergentom za pomivanje posode.

Uporabite ščetko za čiščenje in splaknite z veliko vode.

Pustite, da se aluminijasti filtri popolnoma posušijo, preden jih zopet namestite v napravo.



*Redno čistite aluminijaste filtre, sicer bo morala vaša napa delovati pri višji hitrosti, saj umazani filtri omejujejo zračni tok.*

*Uporabljajte pravilno hitrosti naprave.*

*Uporaba visokega nivoja hitrosti povečuje uporabo električne energije.*

**NEVARNOST POŽARA, NEVARNOST POŠKODB!**

*V primeru okvare ali izrednega popravila izklopite napravo iz električnega omrežja in kontaktirajte pooblaščen servisne službe!*

*Popravilo mora vedno opraviti pooblaščen servisna služba ali tehnik.*



*Če je napajalni kabel poškodovan, ga mora zamenjati proizvajalec ali pooblaščen servisna služba ali usposobljen tehnik, da bi se izognili nevarnim situacijam.*

*Če ne delajo žarnice, izklopite napravo iz električnega omrežja. Da bi se izognili preobremenitvi ostalih luči, takoj zamenjajte nedelujočo žarnico (počakajte, da se luči ohladijo).*

**POMOČ SERVISNIH SLUŽB**

Če ne deluje osvetlitev:

- Prepričajte se, da je naprava priklopljena na električno omrežje in varovalke delujejo.
- Preverite žarnice. Prepričajte se, da je naprava izklopljena iz električnega omrežja, medtem ko preverjate žarnice. Privijte jih, če so se zrahljale. Če še zmeraj ne svetijo, jih zamenjajte.

**Možni vzroki in koraki, ki jih lahko opravite brez pomoči servisne službe****Naprava ne deluje:**

- Prepričajte se, da je naprava priklopljena na električno omrežje.
- Preverite varovalko naprave in druge varovalke v svojem domu.

**Če naprava ne deluje z vso močjo ali močno ropota med delovanjem:**

- Je premer izhodnega cevododa dovolj velik? (min. 120 mm)
- So aluminijasti filtri čisti? Preverite.
- Če uporabljate napravo brez odvoda zraka iz prostora, se prepričajte, da filtri z aktivnim ogljikom niso stari več kot 6 mesecev.
- Prepričajte se, da je prostor dobro prezračen in zagotavlja pritek zraka. Če še zmeraj niste zadovoljni z delovanjem vaše naše, kontaktirajte pooblaščen servisno službo.

## ODPRAVLJANJE TEŽAV

Problemi	Vzrok	Pomoč
Naprava ne deluje.	Preverite povezavo z električnim omrežjem.	Napetost mora biti 220-240V~, naprava pa vključena v ozemljen kontakt.
Ventilator ne deluje.	Preverite povezavo z električnim omrežjem.	Napetost mora biti 220-240V~, naprava pa vključena v ozemljen kontakt.
Ventilator ne deluje.	Preverite povezavo z električnim omrežjem.	Stikalo za ventilator mora biti vklopljeno.
Ventilator ne deluje.	Blokirana turbina.	Izklopite napravo iz omrežja in kontaktirajte servisne službe.
Ventilator ne deluje.	Okvarjen motor.	Izklopite napravo iz omrežja in kontaktirajte servisne službe.
Osvetljava ne deluje.	Preverite povezavo z električnim omrežjem.	Stikalo za osvetljavo mora biti vklopljeno.
Osvetljava ne deluje.	Preverite povezavo z električnim omrežjem.	Napetost mora biti 220-240V~, naprava pa vključena v ozemljen kontakt.
Osvetljava ne deluje.	Preverite luči.	Luči morajo delovati.
V napravi se pojavijo močne vibracije.	Okvarjena turbina.	Izklopite napravo iz omrežja in kontaktirajte servisne službe.
V napravi se pojavijo močne vibracije.	Motor ni čvrsto pritrjen.	Izklopite napravo iz omrežja in kontaktirajte servisne službe.
V napravi se pojavijo močne vibracije.	Naprava ni pravilno pritrjena na steno / nosilec / kuhinjsko omarico.	Izklopite napravo iz omrežja, snemite napravo s stene/nosilca in jo pritržite pravilno.
Izhodni tok je šibek.	Preverite aluminijasti filter.	Aluminijasti filter je treba pri normalni uporabi oprati enkrat mesečno.
Izhodni tok je šibek.	Preverite izhodno cev.	Izhodna cev mora biti odprta
Izhodni tok je šibek.	Preverite filter z aktivnim ogljem.	Če uporabljate filter z aktivnim ogljem, ga je potrebno pri normalni uporabi zamenjati enkrat na 3 mesece.
Ne vrača zraka (pri uporabi brez izhodnega dimnika).	Preverite aluminijasti filter.	Aluminijasti filter je treba pri normalni uporabi oprati enkrat mesečno.
Ne vrača zraka (pri uporabi brez izhodnega dimnika).	Preverite filter z aktivnim ogljem.	Če uporabljate filter z aktivnim ogljem, ga je potrebno pri normalni uporabi zamenjati enkrat na 3 mesece.

## Tehnični podatki

Električna napetost	220-240V~/50Hz
Razred izolacije motorja	B
Razred izolacije	CLASS I



## Navodila za pravilno odlaganje

Stare električne naprave vsebujejo dragocene materiale, zato jih ni dovoljeno odlagati med gospodinjne odpadke! Prosimo, da jih zaradi težnje po varovanju okolja odlagate v posebna zbirališča za tovrstne odpadke.

Ju falënderojmë se keni zgjedhur aspiratorin elektrik TESI. Ky artikull kontribuon në një atmosferë më të këndshme në kuzhinë gjatë gatimit të ushqimit. Po t'i keni shfrytëzimin dhe kujdesin e duhur, ashtu siç është përshkruar në udhëzimet e mëposhtme, pajisja do t'ju sigurojë shumë vite funksionim të dobishëm.

Ky udhëzues përdorimi jep udhëzime për montimin, funksionimin, mirëmbajtjen dhe pastrimin e modeleve të mëposhtme të aspiratorëve elektrikë shtëpiakë me markën TESI

- CH 1760 1T IX



*Ju lutemi të lexoni këto udhëzime përdorimi para se të filloni ndonjë aktivitet me pajisjen dhe ruani ato për rillekim. Po të ndryshohet pronari udhëzimet për përdorim duhet të jepen së bashku me pajisjen.*

## MASAT E RËNDËSISHME PARANDALUESE DHE UDHËZIMET E SIGURISË:



*Fëmijët nën moshën 3 vjeçare duhet të mbahen në distancë nëse nuk janë nën vëzhgim të vazhdueshëm.*

*Fëmijët e moshave nga 3 deri në 8 vjeç mund të përdorin butonin kyçje/shkyçje të pajisjes me kusht që pajisja është instaluar dhe është sjellë në funksionim normal dhe pasi që fëmijët janë vëzhguar dhe janë udhëzuar ta përdorin atë në mënyrë të sigurt dhe nëse kuptojnë rreziqet e mundshme.*

*Fëmijët e moshave nga 3 deri në 8 vjeç nuk duhet të futin pajisjen në prizë, ta rregullojnë atë, as të kryejnë operacionet për pastrim dhe mirëmbajtje.*

*Kjo pajisje mund të përdoret nga fëmijët e moshës mbi 8 vjeç dhe personat me aftësi të kufizuara fizike, shqisore ose mendore ose me përvojë dhe njohuri të pamjaftueshme nëse ata mbikëqyren ose udhëzohen për përdorimin e sigurt të pajisjes dhe kuptojnë rreziqet. Fëmijët nuk duhet të luajnë me pajisjen. Pastrimin dhe mirëmbajtjen nuk duhet t'i bëjnë fëmijët pa mbikëqyrje.*

### PARALAJMËRIMI DHE MASAT E SIGURISË

- Para se të kyçni pajisjen kontrolloni a tensioni i instalimit elektrik në shtëpi është i njëjtë me atë të shënuar në targën e vogël. Tensioni i punës së aspiratorit është 220-240 V ~ / 50Hz.
- Kjo pajisje duhet të përdoret vetëm për qëllimin e synuar. Pajisja nuk është e dedikuar për qëllime tregtare. Çdo përdorim i ndryshëm konsiderohet i pahijshëm dhe për këtë arsye i rrezikshëm. Prodhuesi nuk mund të jetë përgjegjës për dëmet që rezultojnë nga përdorimi i pahijshëm dhe i paarsyeshëm. Mosrespektimi i informacionit të sigurisë do të zhvlerësojë garancinë e pajisjes!
- Mos e lëni shtëpinë tuaj ndërkohë që pajisja është e kyçur. Sigurohuni se aspiratori nuk është një gjendje pune.
- Kablloja për ngarkim e pajisjes Suaj është pajisur me një prizë të tokëzuar. Kjo kablo duhet të lidhet në një prizë të tokëzuar. Nëse kablloja për ngarkim e kësaj pajisjeje është e dëmtuar, mos e përdorni atë dhe kontaktoni me furnizuesin/shitësin për udhëzime shtesë.
- Mos lakoni kabllon për ngarkim, mos e tërhiqni atë përmes skajeve të mprehta dhe mos e vendosni atë mbi pllaka të nxehta ose zjarr të hapur!
- Vendosni kabllon për ngarkim ashtu që të mos e pengon lëvizjen e njerëzve dhe të mos shkelet! Përdorni vetëm zgjerues të miratuar të cilët janë të përshtatshëm për pajisjen, d.m.th. me shenjë përputhshmërie!
- Mos e zhvendosni kurrë pajisjen duke tërhequr kabllon për ngarkim dhe mos e përdorni kabllon për

ngarkim për të lëvizur sende!

- Instalimi i plotë elektrik duhet të kryhet nga një teknik i kualifikuar.
- Instalimi i bërë nga persona të paautorizuar mund të rezultojë me përkeqësimin e punës, me dëmtimin e aspiratorit dhe me fatkeqësi.
- Mos e futni në prizë para se të përfundojë instalimi i plotë elektrik.
- Priza duhet të jetë në vend të arritshëm në çdo kohë në mënyrë që kabloja të lirohet sa më shpejt në rast nevojë!
- Mos e tërhiqni kabllon për ngarkim ose vetë pajisjen gjatë shqyçjes nga rrjeti elektrik.
- Po të vendosni të mos e përdorni pajisjen e këtij tipi, rekomandohet ta sillni atë në gjendje papune duke prerë kabllon për ngarkim dhe më parë duhet ta shqyçeni atë nga rrjeti elektrik. Rekomandohet po ashtu që të eliminohen të gjitha rreziqet lidhur me pajisjen e sidomos për fëmijët të cilët mund të përdorin aparatet e amortizuar (pajisjen) për të luajtur me të.
- Mos prekni llambat kur ato ishin vënë në funksion një kohë të gjatë – ato mund të nxehen dhe të djegin duart tuaja.
- Ndiqni rregullat dhe udhëzimet përkatëse për nxjerrjen e ajrit.
- Kur aspiratori përdoret njëkohësisht me pajisje që përdorin gaz ose lëndë të tjera djegëse, duhet të ketë një ventilim të mjaftueshëm në dhomë (mund të mos përdoret te pajisjet që kthejnë ajrin e shkarkuar mbrapa në dhomë).
- Ekziston rrezik zjarri në qoftë se pastrimi nuk bëhet sipas udhëzimeve.
- Pastroni pajisjen rregullisht para kësaj patjetër shqyçeni atë nga rrjeti elektrik.
- Mos e prekni kurrë pajisjen me duar të lagura – ka rrezik jete!
- Nën aspiratorin nuk duhet të gatuhet gjella të flambuara.
- Ajri i shkarkuar nuk duhet të lirohet në sistemin ku shkarkohen gazrat e pajisjeve që përdorin gaz ose lëndë të tjera djegëse (mund të mos përdoret te pajisjet që kthejnë ajrin e shkarkuar mbrapa në dhomë).
- Gjatë montimit të aspiratorit duhet të respektohet distanca minimale midis tij dhe pllakës së gatimit ku vendosen enët e gatimit. Kur aspiratori gjendet sipër një pajisjeje shtëpiake që përdor gaz atëherë distanca duhet të jetë të paktën 65 cm. Nëse udhëzimet e pllakës me gaz tregojnë një distancë më të madhe atëherë duhet t'i keni parasysh ato.

Distanca prej 65 cm mund të zvogëlohet për komponentët jo të ndezshëm të aspiratorëve dhe për komponentë që punojnë nën tension super të ulët e të sigurt dhe kur në rast deformimi këto pjesë nuk do të kenë qasje te pjesët me tension.

- Kyçni aspiratorin pasi do të vëni një tigan, tenxhere ose një enë tjetër gatimi në pllakën e gatimit. Në të kundërtën, temperatura e lartë mund të deformojë disa nga komponentët e aspiratorit.
- Mos lëni një vaj të ngrohtë në pllakën e gatimit. Enët që përmbajnë një vaj të ngrohtë mund të ndizen.
- Bëhuni të kujdesshëm me perdet dhe mbulesat gjatë përgatitjes së ushqimit të skuqur sepse vaji mund të ndizet.
- Siguroni një ndërrim në kohë të filtrave. Filtrat që nuk janë të zëvendësuar/ të pastruar në kohë paraqesin një rrezik nga zjarri për shkak të shtresave të grumbulluara yndyrore mbi ata.
- Në vend të filtrave mos përdorni materiale që nuk janë rezistente ndaj nxehësive.
- Mos përdorni aspiratorin pa filtra metalikë; mos largoni filtrat kur pajisja është në përdorim.
- Në rast zjarri, shqyçni aspiratorin dhe shporetin nga rryma. (Shqyçni prizën e pajisjes ose shqyçni ndërprerësin kryesor).
- Shqyçni aspiratorin gjatë kohës së mirëmbajtjes. (Shqyçni pajisjen nga priza ose shqyçni ndërprerësin).
- Nëse aspiratori dhe pajisja që punon me energji, e ndryshme nga energjia elektrike, funksionojnë njëkohësisht presioni negativ në dhomë nuk duhet të tejkalojë 4 Pa.
- Nëse aspiratori gjendet në të njëjtën dhomë ku gjendet dhe një pajisje që përdor gaz ose karburantet e naftës kjo pajisje duhet të mbyllet në mënyrë hermetike.
- Gjatë vendosjes së kanalit për shkarkimin e ajrit përdorni kanale të ajrit me diametër prej 120 mm ose 150 mm. Kanali duhet të jetë sa mund më i shkurtër dhe të ketë sa më pak kthesa.
- Për sigurinë tuaj gjatë instalimit të aspiratorit përdorni sigurusin me një rrymë maksimale prej 6 amperëve.
- Nëse kabloja është e dëmtuar, ajo duhet të zëvendësohet nga ana e servisit të autorizuar ose nga ndonjë personel teknik që është i kualifikuar, për të parandaluar situatat e rrezikshme.
- Në rast zjarri shkëputeni furnizimin me energji elektrike, shqyçni pajisjet nga priza, mbyllni flakën; mos përdorni kurrë ujë.



## DUKE BËRË HAPJET

- Pas hapjes së pajisjes kontrollojeni atë për dëme të shkaktuara nga transportimi dhe për përmbajtjen e plotë të paketimit!
- Nëse konstatoni dëm apo paketim me përmbajtje të paplotë, kontaktoni shitësin Tuaj të autorizuar!
- Mos e hidhni kutinë origjinale! Kjo mund të shërbejë për ruajtje dhe transportim për t'u eliminuar dëmet që mund të rezultojnë nga transportimi!
- Hidhja e materialeve të paketimit duhet të bëhet në mënyrë të përshtatshme! Mos lejni fëmijët të luajnë me qese polietileni!

## PËRMBAJTJA E PAKETIMIT

Kompleti mund të ndryshojë në varësi të modelit përkatës:

### CH 1760 1T IX

- Aspiratori CH 1760 1T IX
- Kompleti i filtrave të aluminit
- Oxhaku i sipërm dhe oxhaku i poshtëm
- Pllaka për fiksimin e aspiratorit
- Pllaka për fiksimin e oxhaqeve
- Valvula e pakthyeshme
- Kanali fleksibël
- Kanali Ø150 mm - Ø120 mm
- Kompleti për montim
- Udhëzuesi për përdorimin
- Fleta e garancisë
- Etiketa e energjisë
- Të dhënat e produktit

## CAKTIMI I VENDIT PËR MONTIMIN E ASPIRATORIT

Gjatë montimit të aspiratorit duhet të merret parasysh distanca minimale prej 65 cm nga aspiratori deri sipërfaqen ku vendosen enët e gatimit.

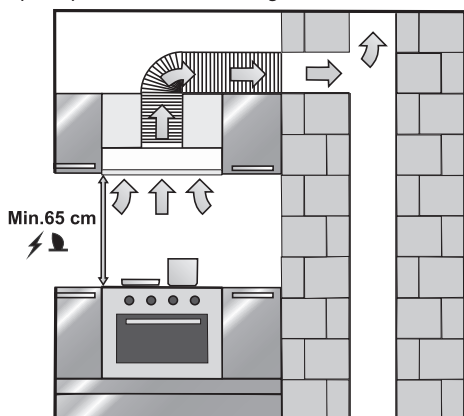
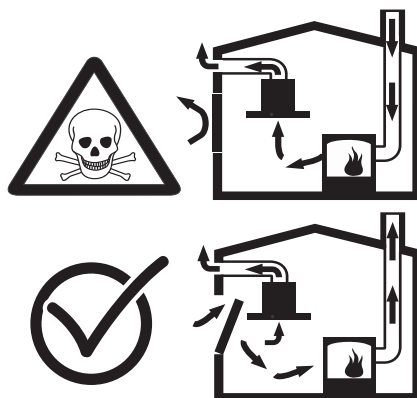


Figura 1 – kusht për një distancë minimale nga sipërfaqja e gatimit

## ! RREZIK HELMIMI E VDEKJEPRURËS!

Ekziston një rrezik nga helmimi për shkak të riabsorbimit të gazrave të ndarë nga procesi i djegies. Mos përdorni aspiratorin në të njëjtën kohë me mjetet që çojnë gazrat helmues përmes oxhakut, si p.sh., ngrohësit me gaz, me naftë ose të këtitillë që djegin qymyirin ose drurin, përveç nëse nuk është siguruar mjaft ventilim. Këta ngrohës heqin ajrin për djegie nga vendi i montimit dhe nxjerrin gazrat e shkarkuar përmes sistemit të shkarkimit të gazrave (oxhak). Kur aspiratori punon, thith ajrin nga kuzhina dhe dhoma fqinje. Nëse nuk sigurohet një qarkullim përkatës i ajrit formohet një vakum. Në këtë rast, gazrat toksikë thithen nga oxhaku dhe kanali i gazrave të shkarkimit dhe kthehen në dhomë. Prandaj, në dhomë është domosdoshme që të sigurohet qarkullimi i nevojshëm i ajrit të pastër.



## ! RREZIK ZJARRI!

Është lejuar aspiratori që të montohet në afërsi të aparatit, që përdor lëndë të ngurta djegëse (drunj ose qymyr), vetëm nëse ka një pajisje që nuk largohet. Duhet të respektohen rregullat lokale për sa i përket rrjetit elektrik.

Nëse pajisja nuk është e pastruar në përputhje me udhëzimet për pastrim mund të thith shkëndije apo grimca të tjera të vogla të djegies dhe të shkakatohet zjarri.

## UDHËZIME PËR MONTIMIN

Aspiratorët e tipit oxhak të serisë CH janë të dedikuar për montim në mur. Në figurën 3 më poshtë janë shënuar distancat midis vrimave për montim.

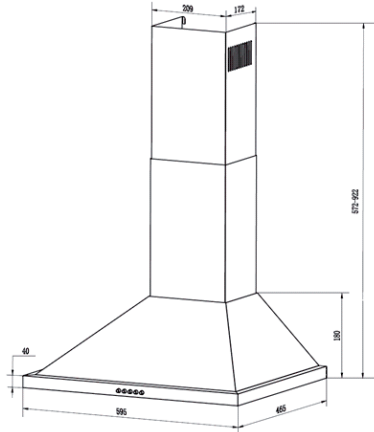


Figura 2 – Përmasat e aspiratorit SL 1760 1T IX

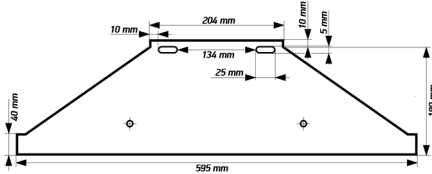


Figura 3 – Skema e vrimave për montim

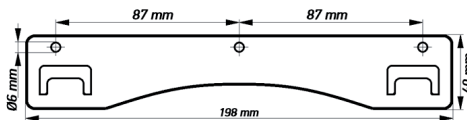


Figura 4 – Skema e pllakës për montim të aspiratorit

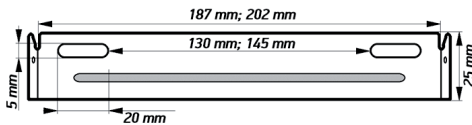


Figura 5 – Skema e pllakës për montim të oxhaqeve

Përforcimi i pllakës për montim dhe i aspiratorit në mur:

- Shënoni në mur dhe bëni së paku 2 vrima (parapëlqehen ato të jashtmet) me diametër Ø8 mm në pllakën për varje të aspiratorit.
- Vendosni prizat plastike në vrimat e bëra në mur.
- Përforconi pllakën në mur me vidhat.
- Shtrengoni vidhat deri në fund.
- Vareni aspiratorin në pllakë.
- Shënoni vrimat e poshtme.
- Hiqeni aspiratorin nga pllaka.
- Bëni 2 vrima me diametër Ø8 mm dhe vendosni prizat në vrima.
- Vareni pajisjen në pllakë.
- Shtrengoni vidhat në vrimat e poshtme për të përforcuar pajisjen në mur. Siguroheni se aspiratori është i lidhur fort me murin.
- Shënoni ulluqet e dy pllakave për montimin e dy oxhaqeve në varësi të lartësisë së kërkuar. Kini parasysh se pllaka e oxhakut të poshtëm është më e gjatë se ajo e oxhakut të sipërm.
- Bëni vrimat me një burgi dhe vendosni prizat.
- Fiksoni pllakat në mur me vidhat.
- Lidhni kanalën fleksibël të aluminit me daljen e aspiratorit dhe sistemit shkarkimit të gazrave, duke pasur parasysh që shtrengimet dhe kthesat zvogëlojnë kapacitetin e thithjes dhe është mirë që t'i pakësoni ato në minimum.
- Sigurohuni se lidhja nuk do të lirohet kur pajisja funksionon me fuqinë maksimale.
- Montoni oxhaqet dhe fiksojeni ato me vidhat.

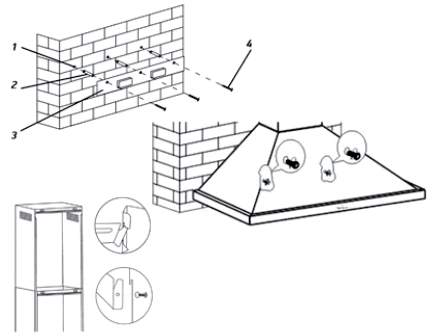


Figura 6 – montimi i aspiratorit



**RREZIK NGA GODITJA ELEKTRIKE!**

Mos lakoni e mos shtypni kabllon për ngarkim gjatë kohës së montimit! Ka rrezik nga dëmtimi i saj.

**! RREZIK NGA DËMTIMI FIZIK!**  
 Ekziston një rrezik nga dëmtimi fizik gjatë montimit për shkak të skajeve të mprehta. Përdorni gjithmonë dorëza mbrojtëse gjatë procesit të montimit.

Të gjitha vidhat dhe elementet mbrojtëse duhet të montohen siç është përshkruar në udhëzuesin e përdorimit, sepse ekziston rrezik nga rënia e aspiratorit.

## SI TË PËRDORET ASPIRATORI

**! Kur pllakat e gatimit janë në funksionim dhe aspiratori po ashtu punon komponentët e tij të hapur mund të nxihen.**

Menaxhimi i aspiratorit CH 1760 1T IX bëhet me 5 butona të rrumbullakët të vendosur në panelin e përparmë të aspiratorit për lehtësi dhe qasje komode. Më i djathti është për kyçjen/shkyçjen e ndriçimit, ndërsa katër të tjerët shërbejnë për shpejtësitë e aspirimit. Aspiratori shkyçet duke shtypur butonin OFF.



Figura 7 – butonat e menaxhimit të aspiratorit CH 1760 1T IX

Përshkrimi i butonave funksionalë të shënuar në figurën 7

- ⓪ – Butoni për shkyçjen e aspirimit
- ① – shpejtësia e parë e aspirimit
- ② – shpejtësia e dytë e aspirimit
- ③ – shpejtësia e tretë e aspirimit
- Ⓢ – Butoni për kyçjen/shkyçjen e ndriçimit

Te ky model keni mundësi ta kyçni aspiratorin përnjëherë në shpejtësinë e aspirimit të cilën dëshironi, p.sh. në shpejtësinë III ose nga shpejtësia I të kaloni direkt në shpejtësinë III dhe anasjelltas.

## FUNKSIONIMI I ASPIRATORIT ME DHE PA FILTËR ME QYMYR AKTIV

**✂ Mos e përdorni pajisjen pa filtra!**

Aspiratorët TESY të serisë CH punojnë si me filtrat e aluminit standardë, ashtu dhe me filtrat me qymyr aktiv të cilët mund të blihen në vete.

Për dhoma pa oxhak, aspiratori duhet të përdoret me filtër me qymyr aktiv për filtrimin e ajrit. Ky filtër nuk përfshihet në paketim, por mund ta blini atë nga shitësi Juaj ose nga servisi teknik. Për shkak se filtri me qymyr aktiv përdoret në dhoma pa hapjen e oxhakut, ai duhet të zëvendësohet në çdo 3-5 muaj, në varësi të përdorimit.

**! Filtrat me qymyr aktiv kurrë mos i lani. Ruajini më larg nga fëmijët.**

**✂ Para se të zëvendësoni filtrin me qymyr aktiv shkyçni aspiratorin nga ngarkimi duke tërhequr kabllon për ngarkim nga priza ose duke shkyçur siguruesin.**

Filtrat me qymyr aktiv janë komplet (i majtë dhe i djathtë) dhe kjo duhet të merret parasysh kur t'i instaloni ata.

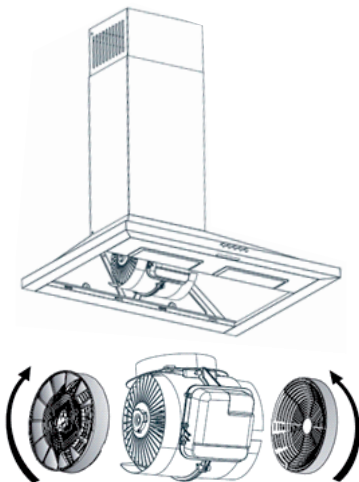


Figura 8 – metoda e instalimit të filtrave me qymyr aktiv

Instalimi i filtrave me qymyr aktiv bëhet në këtë mënyrë

1. Vendosni çdo filtër në vendin e vet
2. Kthejini ata në drejtim të lëvizjes së arkrepave të orës ashtu që t'i fiksoni në vendin e tyre.

Deinstalimi bëhet në mënyrë të anasjelltë.

## ZËVENDËSIMI I LLAMBAVE

**!** Para se të bëni zëvendësimin e llambës shkyçni pajisjen nga rrjeti elektrik. Lëni llambën që të ftohet, sepse mund të djegjin duart tuaj.

Aspiratori CH 1760 1T IX ka 2 llamba LED me 1.5W. Nëse doni të zëvendësoni llambën me defekt, ndiqni këtë procedurë

- Hiqni filtrat e aluminit.
- Shtypni kllapat e sustave në pjesën e sipërme të llambës dhe shtyjeni poshtë në bazën e aspiratorit.
- Shkëputni lidhësin e llambës.
- Kyçni llambën e re.
- Riinstaloni llambën në bazë.
- Riinstaloni filtrat e aluminit

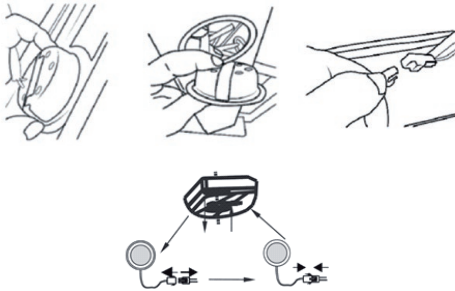


Figura 9 – zëvendësimi i llambave

## PASTRIMI DHE MIRËMBAJTJA

**!** Pastrimi dhe mirëmbajtja e kësaj pajisjeje elektrike nuk duhet të kryhen nga fëmijët!

**!** Sipërfaqja mund të dëmtohet nëse përdoren mjete agresive dhe abrazive për pastrim. Mos përdorni kurrë mjete të tilla. Merrni detergjentet e duhura nga agjenti juaj. Sipërfaqja e pajisjes dhe komponentët e kontrollit janë të ndjeshme ndaj gërvishjeve.

Pastroni sipërfaqen me një leckë të butë të lagur, një detergjent pjatarës ose një pastrues të butë xhami. Nuk është e përshtatshme që të përdorni peshqirë të thatë, peceta pastrimi abrazive, substanca që kërkojnë fërkim, detergjente pastrimi që përmbajnë rërë, sode buke, acid ose klor, ose detergjente të tjera të forta.

Pastroni sipërfaqet e inoksit vetëm në drejtimin e fërkimit.

Mos përdorni detergjente pastrimi dhe lecka të lagura për komponentët e kontrollit.

**!** RREZIK NGA DJEGJET, RREZIK NGA GODITJA ELEKTRIKE!

Lëni aspiratorin që të ftohet para pastrimit. Shkyçni siguruaset ose prizën nga rryma. Ekziston një rrezik nga dëmtimi për shkak të lagështisë që hyn në elektronikën. Mos pastroni kurrë komponentët e kontrollit me një peshqir të lagur.

## Pastrimi i filtrave të aluminit

Filtrat e aluminit kapin grimcat yndyrore që përmbahen në avullimet gjatë gatimit. Në kushte normale të punës (1-2 orë në ditë) pastroni filtrin e aluminit një herë në muaj. Mos përdorni detergjente pastrimi shumë të forta që përmbajnë acid ose klor. Kur pastroni filtrat metalike gjithashtu pastroni edhe pjesët mbajtëse të filtrave të pajisjes me një peshqir të lagur.

Mund ta lani filtrin metalik në makinën për larje të enëve ose me dorë.

## Larja e filtrave të aluminit në makinën për larje të enëve

Në rast të larjes së filtrit të aluminit në makinën për larje të enëve, mund të ketë një ndryshim të vogël të ngjyrës. Kjo nuk do të ndikojë në funksionimin e filtrit.

Mos lani filtrat e aluminit shumë të ndotur së bashku me enët e tjera.

Lirisht lëni filtrat metalike në makinën për larje të enëve pa presion mbi ato.

## Larja e filtrave të aluminit me dorë

Për papastërtitë e rënda, mund të përdorni një tretës për yndyra.

Zhytni fundërrimet e filtrave të aluminit në një ujë të ngrohtë me preparatin për larje të enëve.

Përdorni një furçë për pastrim dhe shpëlani plotësisht filtrat me ujë.

Lëni filtrat e aluminit të thaten plotësisht para se t'i rivendosni ata në aspirator.



*Pastroni rregullisht filtrin e aluminit. Aspiratori juaj mund të ketë nevojë të punojë me shpejtësi më të madhe pasi filtrat e ndotur kufizojnë qarkullimin e ajrit.*

*Përdorni shpejtësitë e pajisjes në mënyrë të drejtë. Përdorimi i niveleve të larta të shpejtësisë rrit konsumin e energjisë elektrike.*



### **RREZIK ZJARRI, RREIK NGA DËMTIMI FIZIK!**

*Nëse pajisja është e dëmtuar ose ka nevojë për riparime të jashtëzakonshme, shkyçni siguruesin ose prizën e kabllos për ngarkim dhe lajmëroni servisin e autorizuar!*

*Riparimet duhet të bëhen vetëm nga servisi i autorizuar teknik ose nga profesionistët e autorizuar.*



*Nëse kabloja për ngarkim është e dëmtuar, ajo duhet të zëvendësohet nga ana e prodhuesit ose servisit të autorizuar teknik ose nga ndonjë person tjetër i kualifikuar, për të parandaluar të gjitha situatat e rrezikshme.*

*Nëse llambat janë të dëmtuara, shkyçni nga priza ose shkyçni siguruesin. Që të shmangni mbingarkesën e llambave të tjera menjëherë i zëvendësoni të dëmtuarat (së pari pritni që të ftohen llambat).*

## SERVISI I AUTORIZUAR TEKNIK

Nëse ndriçimi nuk punon:

- Kontrolloni a priza është e kyçur dhe se sigurueset nuk janë të dëmtuara.
- Kontrolloni llambat. Bëhuni të sigurt se keni shkyçur pajisjen nga ngarkimi para se të bëni këtë kontroll. Shtrëngoni llambat nëse janë të lirshme; Zëvendësoni llambat nëse ato ende nuk punojnë.

### **Arsye të mundshme dhe veprimtari të cilat duhet të ndërmerreni pa lajmëruar servisin teknik:**

#### **Pajisja nuk punon fare:**

- Kontrolloni a priza e aspiratorit është e kyçur.
- Kontrolloni sigurueset e pajisjes dhe sigurueset kryesore në shtëpinë Tuaj.

#### **Nëse funksioni i pajisjes është i pamjaftueshëm ose krijon një zhurmë shumë të madhe gjatë funksionimit:**

- A diametri i kanalit të aspiratorit për ajër është përkatës? (min. 120 mm).
- A janë të pastër filtrat metalikë për yndyra? Ju lutemi kontrollojini.
- Nëse përdorni aspiratorin në një regjim të funksionimit të filtrimit, kontrolloni filtrat me qymyr aktiv a janë më të vjetër se 6 muaj.
- Kontrolloni a është e mjaftueshme ventilimi në dhomë për të siguruar kapacitetin e ajrit. Nëse ende nuk jeni të kënaqshëm nga funksionimi i aspiratorit Tuaj, konsultohuni me servisin e autorizuar teknik.

## DIAGNOSTIKIMI I DËMEVE

Keqfunksionime	Arsye	Largimi
Pajisja nuk punon	Kontrolloni ngarkimin elektrik.	Tensioni i instalimit elektrik duhet të jetë 220-240V~ dhe pajisja duhet të kyçet në një prizë të tokëzuar.
Ventilatori nuk punon	Kontrolloni ngarkimin elektrik.	Tensioni i instalimit elektrik duhet të jetë 220-240V~ dhe pajisja duhet të kyçet në një prizë të tokëzuar.
Ventilatori nuk punon	Kontrolloni ngarkimin elektrik.	Çelësi i ventilatorit duhet të jetë i kyçur.
Ventilatori nuk punon	Turbina është e bllokuar.	Shkyçni pajisjen nga rryma dhe kontakti me servisin.
Ventilatori nuk punon	Motori është i dëmtuar.	Shkyçni pajisjen nga rryma dhe kontakti me servisin.
Ndriçimi nuk punon	Kontrolloni ngarkimin elektrik.	Çelësi i ndriçimit duhet të jetë i kyçur.
Ndriçimi nuk punon	Kontrolloni ngarkimin elektrik.	Tensioni i instalimit elektrik duhet të jetë 220-240V~ dhe pajisja duhet të kyçet në një prizë të tokëzuar.
Ndriçimi nuk punon	Kontrolloni llambat.	Llambat duhet të jenë në funksionim.
Pajisja ka dridhje serioze.	Turbina është e dëmtuar.	Shkyçni pajisjen nga rryma dhe kontakti me servisin.
Pajisja ka dridhje serioze.	Motori nuk është kapur në mënyrë të qëndrueshme.	Shkyçni pajisjen nga rryma dhe kontakti me servisin.
Pajisja ka dridhje serioze.	Pajisja nuk është lidhur në mënyrë korrekte me murin/ pllakën/ dollapin e kuzhinës.	Shkyçni pajisjen nga rryma, zhvendosni pajisjen nga muri/killapa dhe fiksojeni atë në mënyrë korrekte.
Rrjedhja e ajrit në dalje është e ulët	Kontrolloni filtrin e aluminit.	Filtri i aluminit duhet të lahet një herë në muaj në kushte normale të punës.
Rrjedhja e ajrit në dalje është e ulët	Kontrolloni kanlin në dalje.	Kanali në dalje duhet të jetë i hapur.
Rrjedhja e ajrit në dalje është e ulët	Kontrolloni filtrin me qymyr aktiv.	Nëse përdoret një filtër me qymyr aktiv, filtri duhet të zëvendësohet një herë në 3 muaj në kushte normale të punës.
Nuk nxjerr ajrin (Gjatë përdorimit pa oxhak në dalje)	Kontrolloni filtrin e aluminit.	Filtri metalik duhet të lahet së paku një herë në muaj në kushte normale të punës.
Nuk nxjerr ajrin (Gjatë përdorimit pa oxhak në dalje)	Kontrolloni filtrin me qymyr aktiv.	Nëse përdoret një filtër me qymyr aktiv, filtri duhet të zëvendësohet një herë në 3 muaj në kushte normale të punës.

## Karakteristikat teknike

Ngarkim	220-240V~/50Hz
Klasa e izolimit të motorit	B
Klasa e izolimit	CLASS I



## Udhëzime për mbrojtjen e mjedisit rrethues

Pajisjet e vjetra elektrike përmbajnë materiale të vlefshme dhe nuk duhet të hidhen me mbeturinat shtëpiake! Ju lutemi që të ndihmoni me kontributin tuaj aktiv në ruajtjen e burimeve dhe mjedisit rrethues dhe të dorëzoni pajisjen në pikat e blerjes së organizuar (nëse ka).

Ви благодариме што сте го избрале електричниот аспиратор ТЕСИ. Ово е производ што помага при пријатна атмосфера во кујната кога се подготвува храна. Со соодветно функционирање и грижа како што е опишано во овие упатства, уредот ќе Ви овозможи со долгогодишно корисно работење.

Оваа упатства за работа ги опфаќаат инсталирањето, работењето, одржувањето и чистењето на следните модели електрични аспиратори за домаќинство од типот на камината со брендот ТЕСИ:

- CH 1760 1T IX



*Ве молиме прочитајте ги овие упатства за употреба пред да го користите уредот и чувајте ги за понатамошна употреба. Кога се менува сопственикот, мора да му се даде упатството за употреба заедно со уредот.*

## ВАЖНИ ПРЕДУПРЕДУВАЊА И ИНСТРУКЦИИ ЗА БЕЗБЕДНОСТ:



*Деца на возраст помала од 3 години треба да се чуваат на растојание, освен ако тие не се под постојан надзор.*

*Децата на возраст од 3 до 8 години можат да го користат копчето за вклучување / исклучување на уредот, под услов уредот да е инсталиран и подготвен за нормално функционирање и се биле следени и инструктирани за неговата употреба на безбеден начин и тие разбираат дека тоа може да биде опасно.*

*Децата на возраст од 3 до 8 години не смеат да го приклучуваат уредот, да го поставуваат, да го чистат или да вршат корисничка поддршка.*

*Овој уред може да го користат деца постари од 8 години и лица со ограничени физички, сензорни или ментални способности или со недоволно искуство и знаење ако се надгледувани или се инструктирани за безбедно користење на уредот и ги разбираат опасностите. Децата не треба да играат со уредот. Чистењето и одржувањето не треба да го вршат деца без надзор.*

## ПРЕДУПРЕДУВАЊА И МЕРКИ ЗА ПРЕТПАЗЛИВОСТ

- Пред да го вклучите уредот, проверете дали напонот на плочката со податоци одговара на напонот што се доставува до Вашиот дом. Користениот напон на вашиот уред е 220–240 V~/50Hz.
- Овој уред треба да се користи само за наменетата цел. Уредот не е наменет за комерцијални цели. Секоја друга употреба се смета за неточна и затоа опасна. Производителот не може да биде одговорен за штети што произлегуваат од несоодветна и неразумна употреба. Непочитувањето на безбедносните информации ќе ја поништи гаранцијата за уредот!
- Не го напуштајте Вашиот дом додека уредот е вклучен. Бидете сигурни дека истиот е во исклучена состојба.
- Кабелот за напојување на Вашиот уред е опремен со заземјен приклучок. Овој кабел мора да биде приклучен во заземјен контакт. Ако кабелот за напојување на овој уред е оштетен, прекинете го користењето и контактирајте го добавувачот / продавачот за понатамошни инструкции.
- Не кршете го кабелот или повлечете го преку остри рабови или ставете го на жешки плочи или отворен оган!
- Ставете го кабелот за напојување така што да не се меша со движењето на луѓето и да не

биде наступуван! Користете само одобрени проширувачи кои се соодветни за уредот, т.е. имаат знак на сообразност!

- Никогаш не го придвижувајте уредот со влечење на кабелот или со користење на кабелот за носење на предмети!
- Електричното поврзување мора да го врши квалификуван техничар.
- Инсталирањето од страна на неовластени лица може да резултира со пониски перформанси, оштетување на уредот или несреќи.
- Не вклучувајте во контактот пред да завршите електричното поврзување.
- Контактот мора да биде достапен во секое време за да се овозможи ослободување на штекерот што е можно поскоро!
- Никогаш не го повлекувајте кабелот за напојување или самиот уред кога го исклучувате од електричната мрежа.
- Ако одлучите да престанете да користите уред од овој тип, се препорачува да го направите неупотреблив со сечење на кабелот откако ќе го исклучите од мрежата. Исто така, се препорачува да се обезбедат сите опасности поврзани со уредот, особено за деца кои би можеле да го користат амортизираниот уред.
- Не ги допирајте ламбите ако тие се били вклучени долго време - тие може да ги запалат вашите раце, бидејќи тие ќе бидат жешки.
- Следете ги соодветните правила и инструкции за отстранување на воздухот на отворено.
- Соодветна вентилација мора да биде обезбедена во просторија каде што аспираторот се користи истовремено со уредот што согорува гас или друго гориво (не се однесува на уреди што го враќаат исчистениот воздух назад во просторијата).
- Постои ризик од пожар ако чистење не се врши според инструкциите.
- Редовно чистете го уредот прво откачувајќи го од електричната мрежа.
- Никогаш не допирајте го уредот со мокри или влажни раце - постои опасност за живот!
- Пламената храна (фламбе) не треба да се готви под аспираторот.
- Исчистениот воздух не смее да се пушти во оцак кој се користи за испуштање на издуните гасови од уреди што користат гас или други горива (не се однесува на уреди што го враќаат исчистениот воздух назад во просторијата).
- Кога се монтира, треба да се почитува минималното растојание помеѓу површината на топла плоча на која се поставува садовите за готвење. Кога аспираторот се наоѓа над уред за домаќинство кој користи гас, тогаш растојанието мора да биде најмалку 65 см. Ако упатствата на истиот шпорет на гас покажуваат поголемо растојание, треба да се земат предвид. Растојанието од 65 см може да се намали за ненапарливи делови на аспиратори и за делови што работат под сигурен многу малак напон, а во случај на деформација, овие делови нема да овозможат пристап до делови кои се под напон.
- Вклучете го аспираторот откако ќе ставите пан, тенџере или друг сад на плочата за готвење. Инаку, високата температура може да деформира некои делови од аспираторот.
- Не оставајте топло масло на плочата за готвење. Садовите што содржат топло масло може да предизвикаат само-палење.
- Внимавајте за завеси и покривки за време на готвењето, како што е пржење, бидејќи маслото може да ги запали.
- Осигурете се дека филтрите се заменуваат навремено. Неправилно заменетите / исчистени филтри претставуваат ризик од пожар поради депонираната маст на нив.
- Не користете материјали без отпорност на топлина наместо филтри.
- Не користете го аспираторот без алуминиумските филтри; не ги отстранувајте филтрите додека работи уредот.
- Во случај на пожар, исклучете го снабдување со електрична енергија и на аспираторот и шпоретот грејачот. (Исклучете го уредот од штекерот или исклучете го осигурачот).
- Исклучете го аспираторот за време на одржувањето. (Исклучете го уредот од штекерот или исклучете го осигурачот).
- Ако аспираторот и друг уред који е со енергија, различна од електричната, работат истовремено, негативниот притисок во просторијата треба да биде не повеќе од 4 Pa.
- Ако уредот што користи течно или гасно гориво е лоциран на исто место како и аспираторот, овој уред мора да биде херметички затворен.
- Ако извадите воздух преку оцакот, користете цевки со дијаметар од 120 или 150 мм. Поврзувањето на цевката мора да биде што е можно пократко и да вклучи колку што е можно најмалку кривини.
- Користете прекинувач со максимална струја од 6 ампера при инсталирање на аспираторот за ваша безбедност.
- Ако кабелот е оштетен, тој мора да се замени од овластена работилница или квалификуван техничар за да избегне опасни ситуации.
- Во случај на пожар, исклучете го напојувањето на уредите, задушете го огнот; никогаш не користете вода.



### РАСПАКУВАЊЕ НА УРЕДОТ

- По отпакувањето на уредот, проверете дали тој не е оштетен за време на транспортот и дека е целосно спакуван!
- Во случај на оштетување или нецелосна испорака, контактирајте го Вашиот овластен продавач!
- Не фрлајте ја оригиналната кутија! Иста може да се користи за складирање и транспортување за да се избегне оштетување од транспортот!
- Отстранување на материјалот за пакување треба да се направи на соодветен начин! Децата треба да внимаваат да не играат со полиетиленските кеси!

### СЪДРЖАНИЕ СОДРЖИНА НА КУТИЈАТА

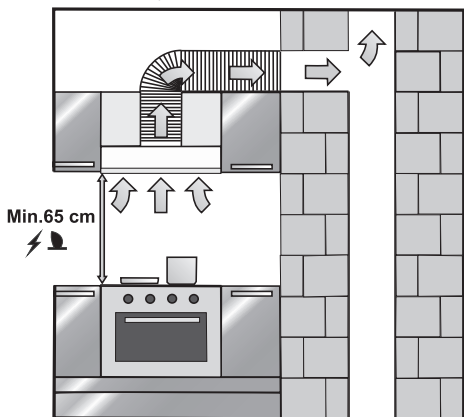
Комплетот може да варира во зависност од соодветниот модел:

#### СН 1760 1Т IX

- Аспиратор СН 1760 1Т IX
- Комплет од алуминиумски филтри
- Горно и долно оџаково тело
- Плоча за фиксирање на аспираторот
- Плоче за фиксирање на оџаковите тела
- Повратен вентил
- Флексибилна цевка
- Предник Ø150 mm - Ø120 mm
- Комплет за монтирање
- Упатства за работа
- Гарантен лист
- Енергетски лист
- Производен лист

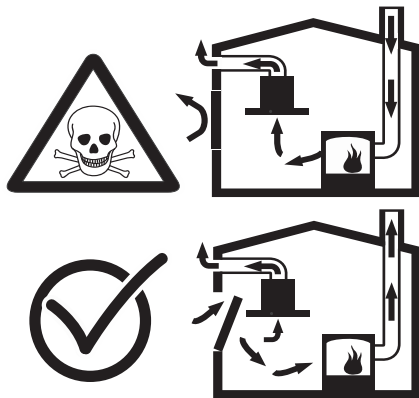
### ОПРЕДЕЛУВАЊЕ НА МЕСТОТО НА ИНСТАЛАЦИЈА НА АСПИРАТОРОТ

При инсталирање на аспираторот, мора да се почитува растојание од најмалку 65 см помеѓу него и површината на која се поставени садовите за готвење.



Слика 1 – барање за минимално растојание од работната површина

**⚠ РИЗИК ОД ТРУЕЊЕ И СМРТ!**  
 Постои ризик од труење предизвикано со вдишување на издувните гасови. Не користете го уредот во исто време со уреди кои испуштаат отровни гасови преку оџак, као што се печки кои работат на гас, јаглен, нафта или дрво, освен ако не е обезбедена доволна вентилација. Таков тип уреди за греење го користат воздухот за согорување од местото на инсталација и испуштаат издувните гасови преку систем за издувни гасови (оџак). Воздухот е вовлечен надвор од кујната или соседната соба при аспиратор кој работи. Се добива вакуум ако не се обезбеди свеж воздух. Во овој случај, издувните гасови се вшмукуваат назад од издувните цевки и се враќаат во собата. Поради оваа причина, потребно е да се обезбеди соодветна вентилација на просторијата.

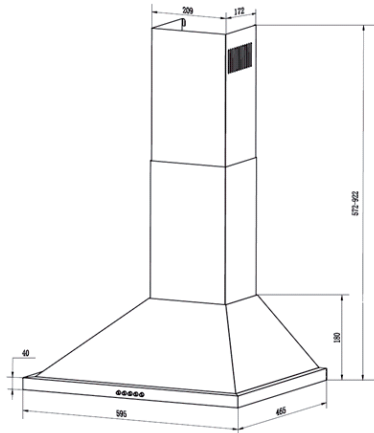


**⚠ РИЗИК ОД ПОЖАР!**  
 Монтирањето на уредот над уред со горене на цврсто гориво (дрво или јаглен) е дозволено само ако постои нерасклопуван уред. Неопходно е да се почитуваат локалните регулативи во однос на електричната мрежа.

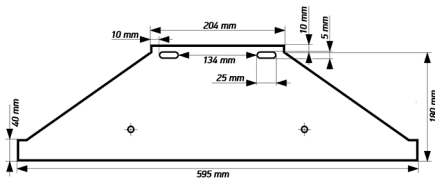
Ако уредот не е исчистен во согласност со инструкциите за чистење, можно е да се цаца искри или други мали честички и да предизвика пожар.

## ИНСТРУКЦИЈА ЗА МОНТАЖ

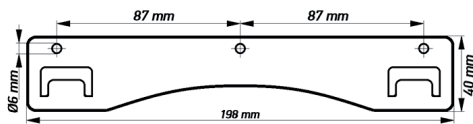
Аспираторот од типот на камината од серијата СН се наменети да бидат монтирани на ѕид. Слика 3 подолу го покажува растојанието за монтажните отвори.



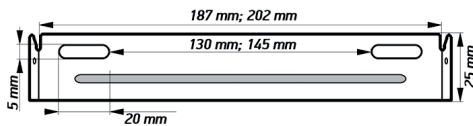
Слика 2 – Димензии на SL 1760 1T IX



Слика 3 – Шема на монтажните отвори



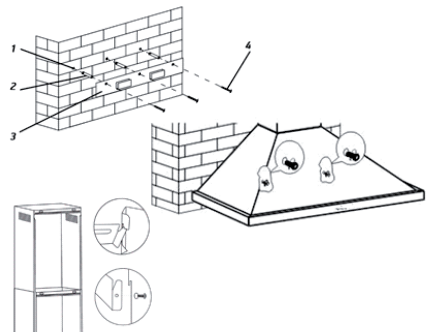
Слика 4 – Шема на монтажната плоча за аспираторот



Слика 5 – Шема на монтажната плоча за оџаковите тела

Прицврстување на монтажната плоча и аспираторот на ѕидот:

- Обележете на ѕидот и вежбајте најмалку 2 отвора (по можност надворешните) со дијаметар  $\varnothing 8$  mm за плочата за закачување на аспираторот.
- Ставете ги пластичните клинови во прободените во ѕидот отвори.
- Прицврстете ја плочата на ѕидот со завртките.
- Завртете ги завртките до крај.
- Закачете го аспираторот на плочата.
- Означете ги долните отвори.
- Извадете го аспираторот од плочата.
- Вежбајте 2 дупки со дијаметар  $\varnothing 8$  mm и поставете клиновите во дупките.
- Закачете го уредот на плочата.
- Зашрафете ги завртките во долните отвори за да го прицврстите уредот на ѕидот. Уверете се дека аспираторот е цврсто закачен на ѕидот.
- Означете ги жлебовите на двете монтажни плочи за двете оџакови тела, во зависност од потребната висина. Имајте на ум дека плочата за долното оџаково тело подолга од онаа за горното.
- Вежбајте ги дупките и поставете ги клиновите во нив.
- Фиксирајте ги плочите на ѕидот со завртки.
- Поврзете ја флексибилната алуминиумска цевка со излезот на аспираторот и оџакот, земајќи ги во предвид дека свиоците и кривините ја намалуваат моќта на апсорпција и треба да се минимизираат.
- Уверете се дека врската нема да се олабаи кога уредот работи со максимална моќност.
- Инсталирајте ги оџаковите тела и фиксирајте ги со завртки.



Слика 6 – монтажа на аспираторот

**РИЗИК ОД ЕЛЕКТРИЧЕН ШОК!**

Не го искривувајте или не прицврстете го кабелот за напојување за време на инсталацијата! Вие ризикувате да го оштетите.

**РИЗИК ОД ПОВРЕДА!**

За време на инсталацијата постои ризик од повреда поради остри рабови. Секогаш користете заштитни ракавици за време на инсталацијата.

Сите сигурносни завртки и заштитни премази мора да се инсталираат како што е опишано во упатството бидејќи постои ризик од паѓање.

**КОРИСТЕЊЕ НА АСПИРАТОРОТ**

Пристапните делови може да станат жешки за време на работата на уредот во комбинација со работните плочи под него.

Управувањето на аспираторот CH 1760 1T IX се врши со пет кружни копчиња лоцирани на предната плоча на аспираторот за погодност и лесен пристап. Најдесното копче е за вклучување / исклучување на светлата, додека другите четири служат за контрола на брзината на вентилација. Со притискање на копчето OFF аспиратор се исклучува.



Слика 7 – копчиња за управување на CH 1760 1T IX

Опис на функциските копчиња прикажани на слика 7

- ⓪ – Копче за исклучување вентилацијата
- ① – 1ва брзина на вентилација
- ② – 2ра брзина на вентилација
- ③ – 3та брзина на вентилација
- Ⓢ – Копче за вклучување / исклучување на светлата

Со овој модел имате можност да го вклучите аспираторот на саканата брзина на вентилацијата, на пример на брзина III, или од I да префрлите на III и обратно.

**КОРИСТЕЊЕ НА АСПИРАТОРОТ СО И БЕЗ ФИЛТЕР СО АКТИВЕН ЈАГЛЕН**

Не користете го уредот без филтри!

Аспиратори ТЕСИ од серијата СН се дизајнирани да работат со стандардни алуминиумски филтри, како и филтри со активен јаглен, кои можат да се купат одделно.

Во отсуство на оцак во просторијата, аспираторот треба да се користи со филтер со активен јаглен за прочистување на воздухот. Овој филтер не е вклучен во комплетот, но може да го купите од вашиот продавач или добавувач на услуги. Во овој случај, филтерот треба да се замени на секои 3 до 5 месеци, во зависност од фреквенцијата на употреба.

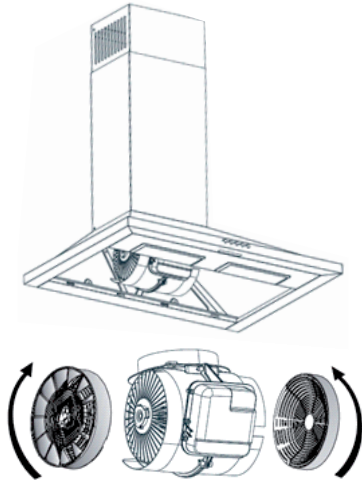


Никогаш не го мијте филтерот со активен јаглен. Да се чува подалеку од дофат на деца.



Пред да го замените филтерот со активен јаглен, исклучете го напојувањето на аспираторот со отстранување на кабелот од приклучокот или исклучување на осигурувачот.

Филтрите со активен јаглен се комплет (лев и десен) и мора да се почитуваат насоките при њивната инсталација.



Слика 8 – метод на инсталирање на филтри со активен јаглен

Монтажата на филтрите со активен јаглен се врши на следниов начин

1. Ставете го соодветниот филтер на неговото место.
2. Свртете во насока на стрелката на часовникот, за да го фиксирате на неговото место.

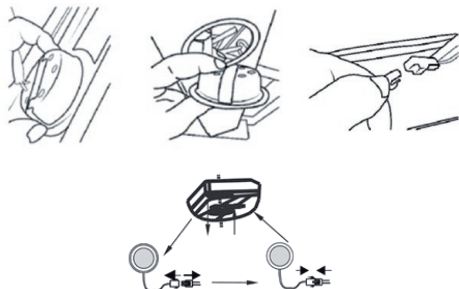
Демонтажата се одвива во обратен редослед.

## ЗАМЕНА НА ЛАМБА

**!** *Пред замена на ламба, исклучете го уредот од електричната мрежа. Почекајте ламбата да се олади, инаку може да се изгорите.*

Аспираторот CH 1760 1T IX има 2 парч. 1.5W LED ламби. За да го замените неисправното светло, следете ја постапката подолу

- Отстранете ги алуминиумските филтри.
- Стиснете ги пролетните загради во горниот дел на ламбата и притиснете надолу преку основата на аспираторот.
- Исклучете го конекторот на ламбата.
- Вклучете ја новата ламба.
- Монтирајте повторно ламбата во основата.
- Монтирајте повторно алуминиумските филтри



Слика 9 – замена на ламбите

## ЧИСТЕЊЕ И ОДРЖУВАЊЕ

**!** *Чистењето и одржувањето на овој уред не треба да го вршат деца!*

**!** *Површината може да се оштети ако се користат остри или абразивни предмети за чистење или препарати. Никогаш не користете такви. Добијте соодветни детергенти за чистење и заштитни препарати од Вашиот трговец. Површината на апаратот и контролните елементи се осетливи на гребнатини.*

Исчистете ја површината со мека влажна крпа, детергент за за машини за миење садови или благо средство за чистење на стакло. Не е соодветно да се користат суви крпи, абразивни сунѓери, супстанции за триење, средства за чистење кои содржат песок, сода, киселина или хлор или други силни препарати.

Чистете ги иноксните површини само во насоката на триење.

Не употребувајте препарати средство за чистење и влажни крпи за бришење на контролните елементи.

**!** *РИЗИК ОД ГОРЕЊЕ, РИЗИК ОД ЕЛЕКТРИЧЕН ШОК!*

*Почекајте уредот да се олади пред да го чистите. Исклучете го од штекерот или осигурувачите. Постои ризик од оштетување предизвикано од пенетрација на влага на електронски компоненти. Никогаш не ги чистете контролните елементи со влажна крпа.*

### Чистење на алуминиумските филтри

Алуминиумските филтри ги зграпчуваат масните честички содржани во пареа што се одделува за време на готвењето. При нормална употреба (1-2 часа на ден), чистете ги алуминиумските филтри еднаш месечно.

Не користете прекумерно силни киселини или препарати кои содржат хлор.

Додека го чистите металниот филтер, исто така, чистете ги механизмите за задржување на металниот филтер на уредот со влажна крпа.

Металниот филтер можете да го измиете во машина за миење на садови или со рака.

### Перење на алуминиумските филтри во машина за миење на садови

Во случај на миење на алуминиумскиот филтер во машина за миење на садови, може да се случи мало белење. Ова не влијае на функционалноста на филтерот.

Не ги мијте високо загадените алуминиумски филтри заедно со други садови.

Ставете ги алуминиумските филтри во машината за миење на садови слободно или да стоат без притисок врз нив.

## Перење на алуминиумските филтри со рака

Можете да користите растворувач за маснотии за отстранување тврдоглави дамки.

Омекнете ги дамките на алуминиумскиот филтер со топла вода со препарат за миене на садови.

Користете четка за чистење и исплакнете ги филтрите темелно со вода.

Оставите ги алуминиумските филтри целосно да се исушат пред да ги поставите назад во аспираторот.



*Секогаш измијте го алуминиумскиот филтер редовно. Вашиот аспиратор можеби ќе треба да работи со поголеми брзини, бидејќи контаминираниите филтри го ограничуваат протокот на воздух.*

*Користете ги брзините на уредот правилно. Користењето на големи брзини ја зголемува потрошувачката на електрична енергија.*



### **РИЗИК ОД ПОЖАР, РИЗИК ОД ПОВРЕДА!**

*Во случај на оштетување или поправки во итни случаи, исклучете го уредот од штекерот или осигурувачот и повикајте овластен сервисен центар!*

*Поправките мора секогаш да ги вршат овластени сервисери или техничари.*



*Ако кабелот за напојување е оштетен, тој мора да го замени производителот или овластената работилница или квалификуван техничар за да се избегнат опасни ситуации. Ако светилките се оштетени, исклучете ги од штекерот или осигурачот. За да се избегне преоптоварување на другите ламби, веднаш заменете ги оштетените (почекајте ламбите да се ладат).*

## ОВЛАСТЕНИ СЕРВИСНИ УСЛУГИ

Ако осветлувањето не работи:

- Уверете се дека уредот е поврзан со електричната мрежа и осигурувачите не се оштетени.
- Проверете ги сијалиците. Уверете се дека уредот е исклучен од електричната мрежа додека проверувате. Затегнете ги ламбите ако се олабени. Заменете ако тие сеуште не работат.

**Можни причини и дејства што може да ги преземете без да ги повикувате сервисни работници.**

### Уредот воопшто не работи:

- Проверете дали уредот е вклучен во напојувањето.
- Проверете ги осигурувачите на апаратот и главните осигурувачи во Вашиот дом.

**Ако уредот не работи со целосна моќност или произведува бучни звуци додека работи:**

- Дали дијаметарот на излезните цевководи е доволен? (мин. 120мм)
- Дали металните филтри се чисти? Проверете.
- Ако го користите уредот без отстранување на воздухот надвор од просторијата, проверете дали филтрите со активен јаглен не се постари од 6 месеци.
- Осигурајте се дека просторијата е добро проветрена и обезбедува проток на воздух. Ако сеуште не сте задоволни со изведбата на Вашиот аспиратор, контактирајте со овластен сервисен центар.

## ДИЈАГНОСТИКА НА ПОВРЕДИ

Проблеми	Причина	Помош
Уредот не работи.	Проверете го електричното поврзување.	Напојувањето мора да е 220-240V ~ и уредот мора да биде приклучен во заземјен контакт.
Вентилаторот не работи.	Проверете го електричното поврзување.	Напојувањето мора да е 220-240V ~ и уредот мора да биде приклучен во заземјен контакт.
Вентилаторот не работи.	Проверете го електричното поврзување.	Прекинувачот за вентилаторот мора да биде вклучен.
Вентилаторот не работи.	Турбината е блокирана.	Исклучете го уредот од напојувањето и контактирајте со сервис.
Вентилаторот не работи.	Моторот е оштетен.	Исклучете го уредот од напојувањето и контактирајте со сервис.
Осветлувањето не функционира.	Проверете го електричното поврзување.	Прекинувачот за осветлувањето мора да биде вклучен.
Осветлувањето не функционира.	Проверете го електричното поврзување.	Напојувањето мора да е 220-240V ~ и уредот мора да биде приклучен во заземјен контакт.
Осветлувањето не функционира.	Проверете ги светилките.	Светилките мора да бидат исправни.
Во уредот има сериозни вибрации.	Турбината е оштетена.	Исклучете го уредот од напојувањето и контактирајте со сервис.
Во уредот има сериозни вибрации.	Моторот не е цврсто зафатен.	Исклучете го уредот од напојувањето и контактирајте со сервис.
Во уредот има сериозни вибрации.	Уредот не е безбедно прицврстен на ѕидот / плочицата / кујнскиот шкаф.	Исклучете го уредот од напојувањето, одвртете го уредот од ѕидот / држачот и фиксирајте правилно.
Излезен проток е слаб.	Проверете го алуминиумскиот филтер.	Алуминиумскиот филтер треба да се мие еднаш месечно при нормална употреба.
Излезен проток е слаб.	Проверете ја излезната цевка.	Излезната цевка мора да биде отворена.
Излезен проток е слаб.	Проверете го филтерот со активиран јаглен.	Ако се користи јаглероден филтер, треба да се замени еднаш на секои 3 месеци при нормална употреба.
Не се враќа назад воздухот (Кога се користи без издувен оџак).	Проверете го алуминиумскиот филтер.	Металниот филтер треба да се мие најмалку еднаш месечно при нормална употреба.
Не се враќа назад воздухот (Кога се користи без издувен оџак).	Проверете го филтерот со активиран јаглен.	Ако се користи јаглероден филтер, треба да се замени еднаш на секои 3 месеци при нормална употреба.

### Технички карактеристики

Напојување	220-240V~/50Hz
Класа на изолација на моторот	B
Класа на изолација	CLASS I



### Насоки за заштита на животната средина

Старите електрични уреди содржат вредни материјали и не треба да се депонираат со домашниот отпад! Ве молиме да помогнете со вашиот активен придонес во зачувувањето на ресурсите и животната средина и да го дадете уредот на организирани купувачки места (доколку ги има).





# TESY

TESY Ltd - Head office  
1166 Sofia, Sofia Park,  
Building 16V, Office 2.1. 2nd Floor  
PHONE: +359 2 902 6666,  
FAX: +359 2 902 6660,  
[office@tesy.com](mailto:office@tesy.com)