

SAVE VTR 150/B

GB	User Manual.....	2	DE	Bedienungsanleitung	46
SV	Användarhandbok.....	24	FI	Käyttöohje	70

Document translated from English | 212025 · A003



© Copyright Systemair UAB

All rights reserved

E&OE

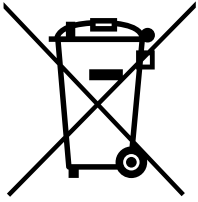
Systemair UAB reserves the rights to alter their products without notice.

This also applies to products already ordered, as long as it does not affect the previously agreed specifications.

Contents

1	Disposal and recycling	5	8	Alarms	20
2	Warnings	5	8.1	Alarm list	20
3	Type label	5			
4	Introduction	6			
5	Configuration	6			
5.1	General	6			
5.2	Startup wizard	6			
5.3	Common symbols	7			
5.4	Menu overview	7			
5.5	Home screen	8			
5.5.1	User modes	8			
5.5.2	Temperature settings	10			
5.5.3	Airflow settings	11			
5.5.4	Indoor Air Quality	11			
5.5.5	Status line	12			
5.6	Description of User function icons	12			
5.7	Week Schedule	13			
5.7.1	Schedule airflow settings	13			
5.7.2	Edit schedule	13			
6	Maintenance of the unit	14			
6.1	Warnings	14			
6.2	Remove/mount the front cover	15			
6.3	Changing filters	15			
6.3.1	Resetting the filter time	15			
6.4	Checking and cleaning the heat exchanger	15			
6.5	Cleaning the fans	16			
6.6	Replacing rotor drive belt	16			
6.7	Overheat protection reset button	18			
6.8	Duct system maintenance	18			
6.8.1	Cleaning extract louvres and supply air diffusers	18			
6.8.2	Checking the outdoor air intake	18			
6.8.3	Checking the roof cowl (if fitted)	18			
6.8.4	Checking and cleaning the duct system	18			
7	Troubleshooting	18			

1 Disposal and recycling



This product is compliant to the WEEE directive. When disposing the unit, follow your local rules and regulations.
This product packing materials are recyclable and can be reused. Do not dispose in household waste.



2 Warnings



Danger

- Make sure that the mains supply to the unit is disconnected before performing any maintenance or electrical work!
- All electrical connections and maintenance work must be carried out by an authorized installer and in accordance with local rules and regulations.



Warning

- This product must only be operated by a person who has suitable knowledge or training within this field or carried out with the supervision of a suitably qualified person.
- Beware of sharp edges during mounting and maintenance. Use protective gloves.



Warning

- All though the mains supply to the unit has been disconnected there is still risk for injury due to rotating parts that have not come to a complete standstill.

Important

- The installation of the unit and complete ventilation system must be performed by an authorized installer and in accordance with local rules and regulations.
- The system should operate continuously, and only be stopped for maintenance/service.
- Do not connect tumble dryers to the ventilation system.
- Duct connections/duct ends must be covered during storage and installation.
- Make sure that filters are mounted before starting the unit.

3 Type label

Before calling your service representative, make a note of the specification and production number from the type label, which can be found on the side of the units, next to the external connections.

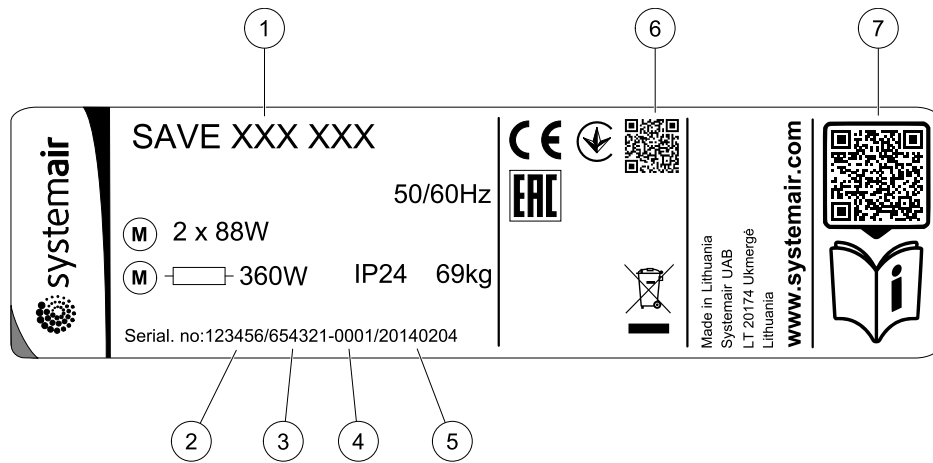


Fig. 1 Type label

Position	Description
1	Product code (product specification)
2	Product item number
3	Production order number
4	Serial number
5	Production date (YY.MM.DD)
6	QR code for manufacturing order (MO) number and software version
7	QR code for the spare parts list and documentation

4 Introduction

The SAVE VTR 150/B is a heat recovery ventilation unit with a built in rotating highly efficient heat exchanger. The SAVE VTR 150/B is suitable for smaller flats or houses. It supplies filtered outdoor air to residential areas and extract air from bathroom, kitchen and wet rooms.

There are two model options, right (R) and left (L) model. Both models come with 500 W or 1000 W installed re-heater battery. The different models are recognized by the placing of the internal components. This manual describes basic information how to operate and perform maintenance on a left (L) unit and the system it is connected to.



Note:

This document describes a left (L) model. The inside of a right (R) model is mirrored.

5 Configuration

5.1 General

SAVE VTR 150/B has a modern touchscreen LCD control panel, simply known as HMI – Human Machine Interface. The touchscreen display provides information about current state of the unit and allows you to control all system functions.

Settings are done by touching the icons or options. The touch screen is sensitive and it is not necessary to press too hard.

5.2 Startup wizard




During the first power up of the unit, you will be asked to set:


- menu language
- time and date
- import configuration file (if the Internet Access Module (IAM) with configuration file is available)
- airflow control type (Manual/RPM) and airflow level values
- heater type (None/Electrical/Water/Change-over)

The Startup Wizard cannot be skipped.

5.3 Common symbols

The following selection symbols are common and are present in most menu pages:

-  Back button to return to a previous menu, located at the upper left corner
-  Up arrow to increase a value
-  Down arrow to decrease a value

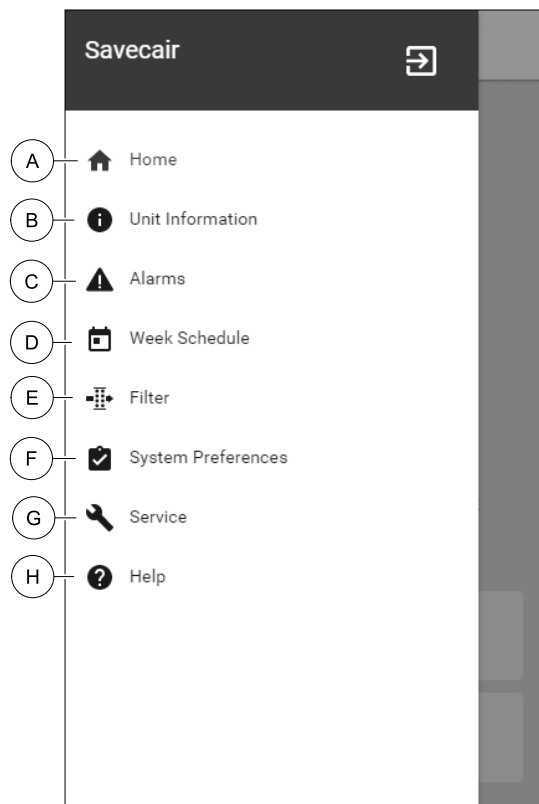
-  On and Off slider to activate or deactivate a function. White bubble – function is inactive, green bubble – function is active.
- CANCEL** Button to cancel changes
- SET/OK** Buttons to confirm changes

Some menus have more than one page. Touch page indicator in the top right corner to go to the next page. The first number indicates current page number and the second number indicates a total number of pages available.


Many options show up in a form of the pop-up window. Select the option from the displayed list in the pop-up window and press OK to confirm selection.

5.4 Menu overview

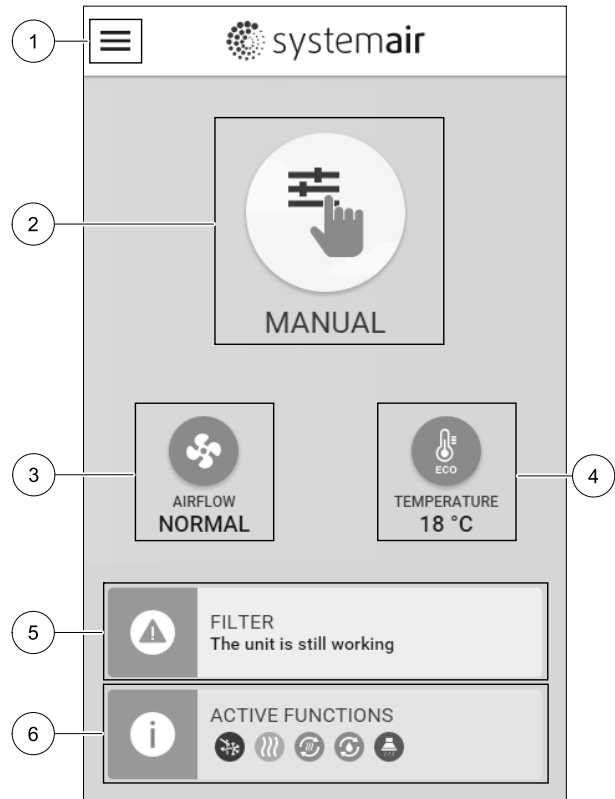
- A. Return to home screen
- B. Basic read-only information about the unit
- C. Currently active alarms and alarm history
- D. Configure and check week schedule
- E. Check and change remaining time till filter change
- F. General system preferences
- G. Configuration of all system parameters
- H. Help and troubleshooting menu



5.5 Home screen

 Touching home icon (pos. A) in drop-down menu list (pos. 1) will always returns you to home screen after commissioning.

1. Drop-down menu list
2. Active user mode
3. Airflow settings
4. Temperature settings
5. List of active alarms
6. Icon list of active user functions





5.5.1 User modes

The first icon at the top of home screen shows currently active user mode. To change the user mode, touch the active user mode icon (pos. 2) and select a new user mode from the list. The unit has 2 permanent and 5 temporary user modes available for selection. Only one mode can be active at a time.

Settings of all modes can be modified in *Service* menu.






5.5.1.1 Permanent modes

Permanent modes are always active unless interrupted by temporary modes, activated user functions or alarms:

Icon	Text	Description
	AUTO	Automatic airflow control. AUTO mode is available for selection when Demand Control, Week Schedule and/or external fan control functions are configured, otherwise AUTO mode icon won't be visible in active user modes menu. AUTO mode activates Demand Control, Week Schedule and/or external fan control functions. Demand is available to choose as airflow setting in Week Schedule.
	MANUAL	Manual selection of airflow levels. The unit can be set run at one out of four available airflow speeds: Off/Low/Normal/High. Note: The fan can be set to OFF by activating Manual Fan Stop function in <i>Service</i> menu.

5.5.1.2 Temporary modes

Temporary modes are active only for a set period of time unless interrupted by active user modes, activated user functions or alarms:

Icon	Text	Description
	HOLIDAY	Sets speed of both supply and extract air fans to Low levels when user is away from home for a long period of time. ECO mode is active. Set duration in days.
	CROWDED	Sets speed of both supply and extract air fans to maximum High levels and temperature setpoint offset to -3 K when apartment is more crowded than usual. Default temperature setpoint offset is -3 K. Set duration in hours.
	AWAY	Sets speed of both supply and extract air fans to Low levels when user is away from home for a short period of time. ECO mode is active. Set duration in hours.
	REFRESH	Sets speed of both supply and extract air fans to maximum High levels to replace indoor air with a fresh air in a short period of time. Set duration in minutes.
	FIREPLACE	Sets speed of supply air fan to High level and extract air fan to Low level to increase air pressure within the apartment for better smoke extraction through the chimney. Set duration in minutes.







Settings of all modes can be modified in *Service* menu.

Temporary modes and user functions are active only for a set period of time after which they are terminated and the unit changes back to a former **AUTO** or **MANUAL** mode, depending on which one was active before temporary mode or user function was activated.

Temporary modes can also be activated via digital input signal triggered by push button, presence detector, etc.

5.5.1.3 Digital input functions

Digital input functions always active while digital input is activated.

Icon	Text	Description
	Central Vacuum Cleaner	Function sets speed of supply air fan to High level and extract air fan to Low level to increase air pressure within the apartment for better dust collection through central vacuum cleaner. Function can be activated via digital input – Central Vacuum Cleaner Function .
	Cookeer Hood	Sets speed of both supply and extract air fans to Maximum level to increase airflow in the cookeer hood. Function can be activated via digital input – Cookeer Hood Function .
	Configurable Digital Input 1	Configurable digital input for custom user function. Airflow levels for both fans are freely configurable. High-priority function.
	Configurable Digital Input 2	Configurable digital input for custom user function. Airflow levels for both fans are freely configurable. Mid-priority function.
	Configurable Digital Input 3	Configurable digital input for custom user function. Airflow levels for both fans are freely configurable. Low-priority function.
	Pressure Guard	Configurable digital input for pressure switch connection. Airflow levels for both fans are freely configurable.

5.5.1.3.1 Configurable digital inputs

A custom airflow settings for supply and extract fans can be set and assigned to a digital input. Each fan can have a different airflow setting.

Configurable digital input can be activated via signal triggered by push button, presence detector or any other external device with digital output, such as Building Management Systems (BMS)

Configurable digital inputs are grouped in levels of priority, *Configurable Digital Input 1* being the highest, meaning it can't be overwritten by other user functions.

5.5.1.4 Digital input and Mode hierarchy

User modes and functions have a different hierarchy. User functions activated via HMI or mobile APP, such as *AWAY*, *CROWDED*, *FIREPLACE*, *HOLIDAY* and *REFRESH*, are interrupted by manual selection of *AUTO* and *MANUAL* fan modes.

A *FIREPLACE* function has the highest priority between user functions. Other functions activated via HMI/APP can interrupt each other.

If *FIREPLACE* function is hard-wired on the connection board and configured as digital input (DI) then it has a higher priority than *AUTO* and *MANUAL* mode. Digital input for a *FIREPLACE* function has also a higher priority than other hard-wired digital inputs (DI) for: *AWAY*, *CENTRAL VACUUM CLEANER*, *COOKER HOOD*, *CROWDED*, *HOLIDAY* or *REFRESH*.

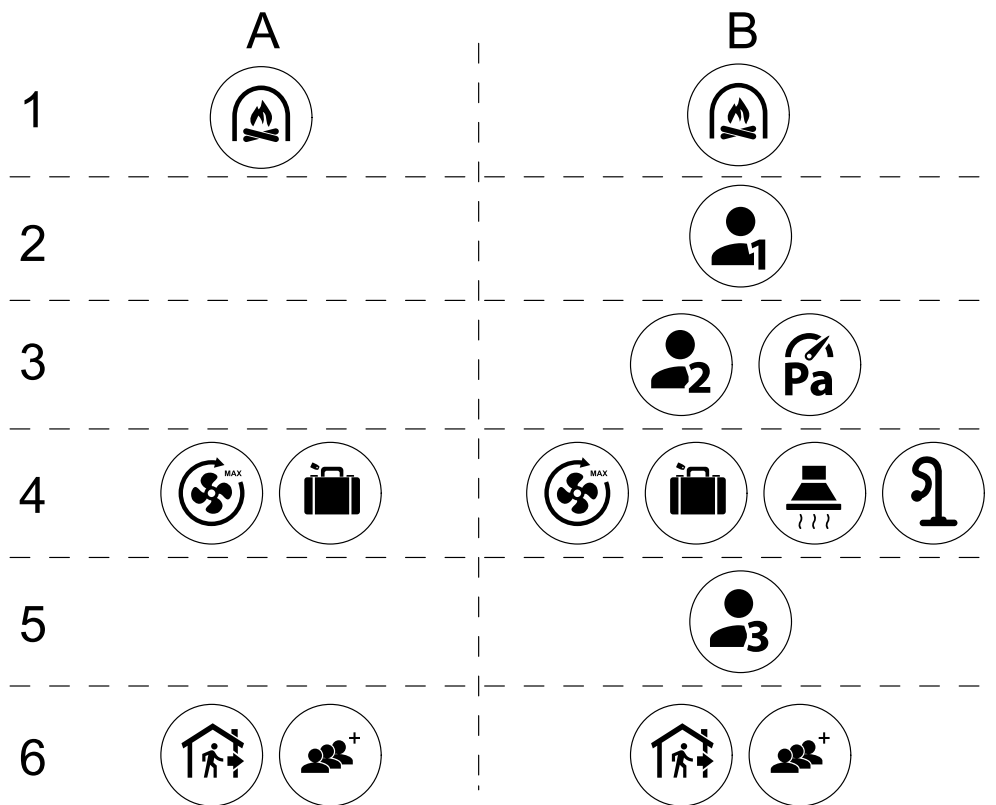


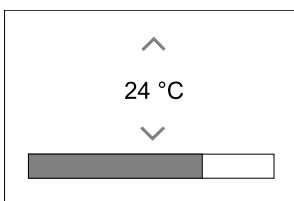
Fig. 2 Hierarchy of user modes and digital inputs

Modes are listed from the highest to lowest priority; A – user modes that can be activated from the control panel; B – user modes and functions activated via digital input

5.5.2 Temperature settings



Temperature can be set at *SET TEMPERATURE* menu accessible from the home screen by touching *TEMPERATURE* icon with thermometer. Default temperature value is 18°C (range 12–30°C).



Use up and down arrows or a slider to change the value.

Then touch the *OK* button to confirm changes.

Temperature set point is for room air temperature, supply air temperature or for extract air temperature depending on which control mode is active. Default setting is `Supply air temperature control`.

Control mode of the temperature can be changed in `Service` menu.

5.5.2.1 ECO mode



ECO mode is a power saving function that can be activated in `SET TEMPERATURE` menu.

ECO mode function is available only when an internal heater is installed and configured.

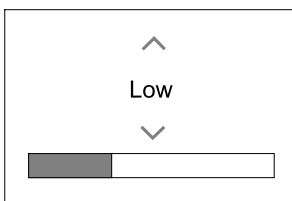
While ECO mode is active, a temperature setpoint at which heater is activated is lowered to avoid activation of the heater during cold nighttime.

If the temperature is very low and the heater is activated during the nighttime (even with lowered temperature setpoint), then during the upcoming daytime indoor temperature will be increased using the heat exchanger so that accumulated heat could be used during the next cold nighttime, the lowered setpoint for the heater remains.

ECO mode will have impact for the following user functions/modes if selected:	ECO mode is always activated by the following modes:
<ul style="list-style-type: none"> • AUTO mode • MANUAL mode • AWAY mode • HOLIDAY mode • CENTRAL VACUUM CLEANER function • COOKER HOOD function • FIREPLACE mode 	<ul style="list-style-type: none"> • AWAY mode • HOLIDAY mode
	ECO mode is always deactivated by the following user functions/modes:
	<ul style="list-style-type: none"> • CROWDED mode • REFRESH mode • FREE COOLING function

5.5.3 Airflow settings

Airflow settings are available only in `MANUAL` mode. Click on fan icon on the main screen to enter `SET AIRFLOW` menu.



Use up and down arrows or a slider to change the airflow value.

The airflow may be adjusted in these steps: `Off/Low/Normal/High`. These settings control output signals to the supply and extract fans.

Important

It is **not** recommended to set fan to `Off` in standard households. If manual fan stop is activated, the unit should be provided with dampers in exhaust and fresh air ducts to avoid cold draught and risk of condensation when the unit has been stopped.
The fan can be set to `Off` by activating `Manual Fan Stop` function in `Service` menu.

5.5.4 Indoor Air Quality



The unit automatically controls indoor humidity and/or CO₂ levels by adjusting airflow setting. Airflow is increased if air quality is decreasing.

Demand Control function is responsible for IAQ (Indoor Air Quality) regulation. Relative humidity (RH) and/or CO₂ sensors are responsible for IAQ monitoring.

Indoor air quality (IAQ) indicator is available if AUTO mode and Demand Control function is activated.

IAQ levels:

- **ECONOMIC:** Actual IAQ value is below low IAQ set point.
- **GOOD:** Actual IAQ value is between low and high IAQ limits.
- **IMPROVING:** Actual IAQ value is above high IAQ set point.

Different airflow settings can be set for IMPROVING and GOOD IAQ levels in service menu.

Setpoint for relative humidity and CO₂ level can be set in service menu.

5.5.5 Status line

Status line located at the bottom area of home screen displays information about:



List of active alarms. See chapter 8.1 for more information.










List of active user functions. See chapter 5.6 for more information.

Touching any of these lines will move you to the next page with more detailed list and information about each alarm or active user function.

5.6 Description of User function icons

Icon	Text	Description
	Heating	Connected heater or pre-heater is active and air heating is in process.
	Heat recovery	Heat recovery from apartment is active.
	Cooling	Connected cooler is active and air cooling is in process.
	Cooling recovery	Automatic cooling recovery is active when extract air temperature from apartment is lower than outdoor air temperature and there is a cooling demand (temperature setpoint is lower than outdoor air temperature). No cooling recovery with heating demand. If the outdoor air temperature is higher than the indoor air temperature and there is a heating demand, function Free heating is activated instead.
	Free cooling	Function decreases indoor air temperature by using only cool outdoor air during nighttime to save energy consumption.
	Moisture transfer	Function controls the rotation speed of the heat exchanger to prevent moisture transfer to supply air due to high relative humidity in the extract air. Function is only available for units with Rotating type heat exchanger.
	Defrosting	Function prevents formation of the ice on the heat exchanger during cold outdoor temperatures.
	Secondary air	Warm air from the living space is used to defrost the heat exchanger using a damper inside the outdoor air duct. The unit switches from outdoor air to secondary air while the extract air fan stops and warm secondary air increases the temperature inside the heat exchanger.

Icon	Text	Description
	Vacuum cleaner	Function sets speed of supply air fan to High level and extract air fan to Low level to increase air pressure within the apartment for better dust collection through central vacuum cleaner. Function can be activated via digital input – Central Vacuum Cleaner Function . Always active while digital input is activated.
	Cooker Hood	Sets speed of both supply and extract air fans to Maximum level to increase airflow in the cooker hood. Function can be activated via digital input – Cooker Hood Function .
	User lock	Function indicates that the system is locked with a password and cannot be edited or settings changed in any way. System must be unlocked first to make changes.
	Configurable Digital Input 1	Configurable digital input for custom user function. Airflow levels for both fans are freely configurable. High-priority function.
	Configurable Digital Input 2	Configurable digital input for custom user function. Airflow levels for both fans are freely configurable. Mid-priority function.
	Configurable Digital Input 3	Configurable digital input for custom user function. Airflow levels for both fans are freely configurable. Low-priority function.
	Pressure Guard	Configurable digital input for pressure guard connection. Airflow levels for both fans are freely configurable.

5.7 Week Schedule



The unit can be configured to operate at set airflow levels up to two time periods (00:00–23:59) on user selected days.
Week Schedule is active only during **AUTO** mode.

5.7.1 Schedule airflow settings

Touch settings icon to go to **SCHEDULE AIRFLOW SETTINGS** menu. In this menu set airflow level for scheduled and unscheduled periods. Available levels: **Off**, **Low**, **Normal**, **High** Or **Demand**.
Set temperature setpoint offset for both periods (-10°C – 0°C).



Demand level is available only if **Demand Control** or **External fan** function is active.

5.7.2 Edit schedule



Touch icon at the bottom left corner of the screen to add a new schedule or press **EDIT** button to modify already added schedule.

To configure the schedule:

1. Set the time. Touch the **START TIME** or **END TIME** values to change time. Use arrow buttons **▲** and **▼** to increase or decrease value. Confirm with **OK** button.



Note:

Scheduled time can start but never end at midnight (00:00). The latest **END TIME** period is 23:59.
Scheduled time cannot go to the next day.
12 or 24 hour time format can be changed in **System Preferences** menu.

If necessary, activate second scheduled period and set up time.

2. Once time is set, click on the day(s) when schedule should be active. It is possible to set a separate schedule for each day.

Already scheduled days are not available for selection for new schedules.

3. Confirm schedule with **OK** button.

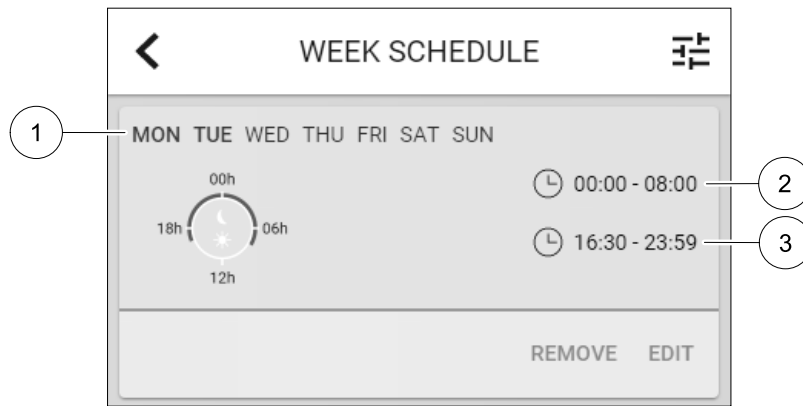


Fig. 3 Week schedule example

Scheduled days are highlighted (pos. 1). First time period (pos. 2) and the second time period (pos. 3) are shown on the right side of each schedule.

6 Maintenance of the unit

Maintenance of the SAVE VTR 150/B should normally be performed 3 - 4 times a year.

6.1 Warnings



Danger

- Make sure that the mains supply to the unit is disconnected before performing any maintenance or electrical work!
- All electrical connections and maintenance work must be carried out by an authorized installer and in accordance with local rules and regulations.



Warning

- This product must only be operated by a person who has suitable knowledge or training within this field or carried out with the supervision of a suitably qualified person.
- Beware of sharp edges during mounting and maintenance. Use protective gloves.



Warning

- All though the mains supply to the unit has been disconnected there is still risk for injury due to rotating parts that have not come to a complete standstill.

Important

- The installation of the unit and complete ventilation system must be performed by an authorized installer and in accordance with local rules and regulations.
- The system should operate continuously, and only be stopped for maintenance/service.
- Do not connect tumble dryers to the ventilation system.
- Duct connections/duct ends must be covered during storage and installation.
- Make sure that filters are mounted before starting the unit.

6.2 Remove/mount the front cover

The front cover is mounted with four screws. Loosen the screws and pull the inner front towards you.

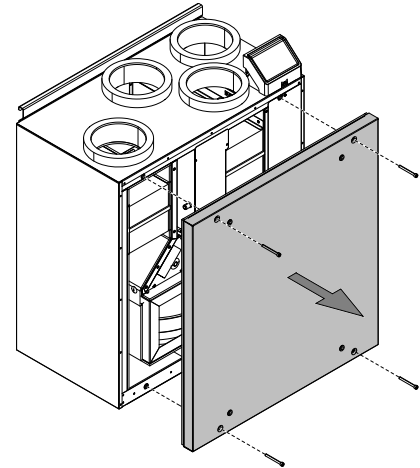


Fig. 1 Remove/mount the inner front

6.3 Changing filters



Danger

Make sure that the Mains supply to the unit is disconnected before performing any maintenance or electrical work!

The filters are to be changed every 3–15 months, default value is 12 months. When the filters have been changed the filter timer will reset automatically after alarm is acknowledged.

The factory installed filters are of filter quality M5/ePM10 50% for the supply air and M5/ePM10 50% for the extract air filter. The filters need to be replaced when polluted. New sets of filters can be acquired from your installer or wholesaler.

Filter quality F7/ePM1 60% can be installed for supply air filtering. The filter type is labelled on the top of the filter

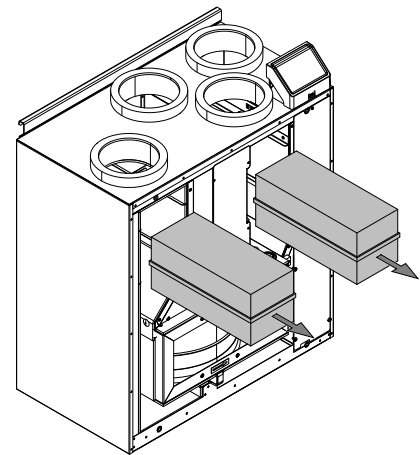


Fig. 2 Heat exchanger filters

6.3.1 Resetting the filter time

Once filter is changed, it is necessary to reset filter time. Go to **Filter** menu (see 5.4 *Menu overview*, page 7, pos. E) or if filter alarm is present, click on alarm status line (see 5.5 *Home screen*, page 8, pos. 5) and select filter alarm. Select **CHANGE FILTER**, in the pop up menu define a new filter period and press **OK** to confirm selection.

Filter time is now reset.

6.4 Checking and cleaning the heat exchanger



Danger

- Make sure that the Mains supply to the unit is disconnected before performing any maintenance or electrical work!

Even if the required maintenance is carried out, dust will build up in the exchanger block. It is therefore of vital importance for the upkeep of a high efficiency that the exchanger block is removed from the unit and cleaned periodically as illustrated below. Clean the heat exchanger at least every 3 years or when required.

1. Disconnect the rotor power supply and the rotor sensor. The cables are found beside the rotor at the back.
2. Pull out the rotor towards you. Some force may be needed.
3. Clean the rotor.

Wash in hot soapy water. Do not use detergent containing ammonia. Rinse using, for instance, a shower handle.



Warning

Ensure the rotor motor is not exposed to moisture

4. Remount the rotor. Don't forget to reconnect the rotor power and sensor cables.

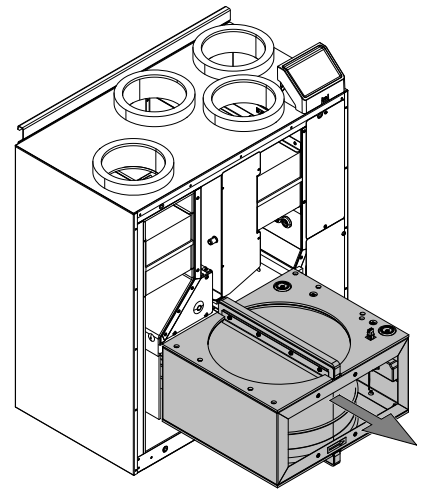


Fig. 3 Heat exchanger

6.5 Cleaning the fans



Danger

- Make sure that the Mains supply to the unit is disconnected before performing any maintenance or electrical work!

The motor bearings are life time lubricated and maintenance free.

Even if the required maintenance, such as changing of filters is carried out, dust and grease may slowly build up inside the fans. This will reduce the efficiency.

The fans may be cleaned as illustrated in below procedure.

1. Disconnect the fan power cables. The cables are found beside the fan at the back.
2. Pull out the fans towards you. Some force may be needed.
3. Clean the fans with a cloth or a soft brush. Do not use water. White spirit can be used to remove obstinate deposits.

Allow the fans to dry properly before remounting.

4. Remount the fans. Don't forget to reconnect the fan power cables.

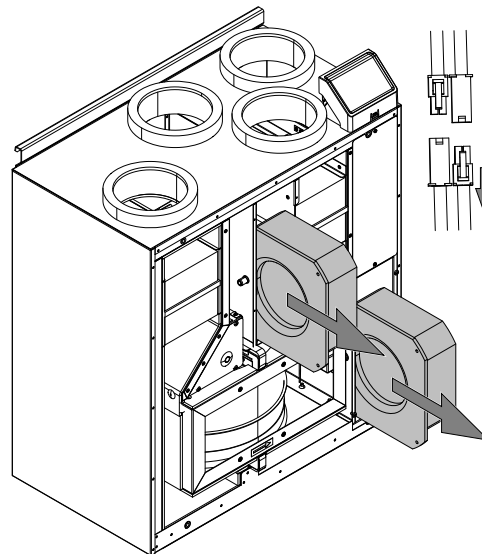
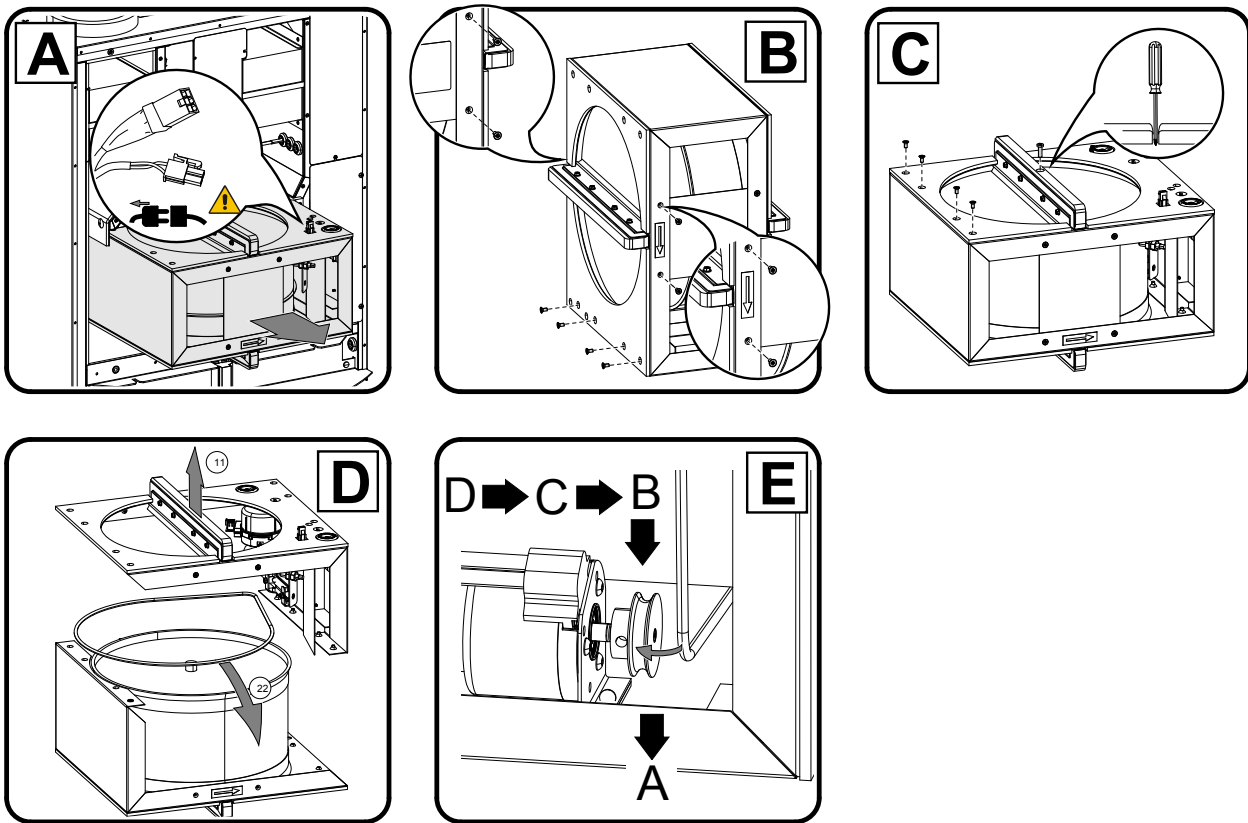


Fig. 4 Extract and supply air fans

6.6 Replacing rotor drive belt

If the alarm `ROTOR GUARD` is raised, see chapter 8.1, the rotor drive belt may be damaged or broken.

A spare drive belt is already placed on the heat exchanger rotor and delivered with the unit.



In case both welded belts break it is possible to use joint nipple as a temporarily quick repair solution until the welded belt can be replaced with a new one. Depending of how the unit is installed, it may be not necessary to remove the heat exchanger package in order to temporary repair a broken drive belt if the belt pulley can be accessed.

1. Stop the unit by disconnecting the mains.
2. Open and remove the side cover.
3. Remove the broken drive belt.
4. Use tape to attach the drive belt to the rotating heat exchanger, and rotate the exchanger by hand to get hold of the drive belt.
5. Remove the tape and put the "empty" end on to the nipple. Press the ends firmly towards each other and tighten the nipple.

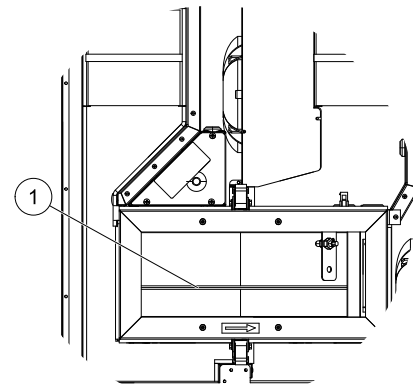


Fig. 5 Rotor drive belt

6. Pull the drive belt on to the belt pulley and rotate the exchanger by hand. Check that the belt pulley rotates.



Note:

If the drive belt slips, the drive belt may be too long and needs to be shortened. Cut the drive belt 5 mm and go to step 5.

7. Replace and lock the side cover and connect the unit to mains.
8. Check that the alarm has ceased on the Control Display.

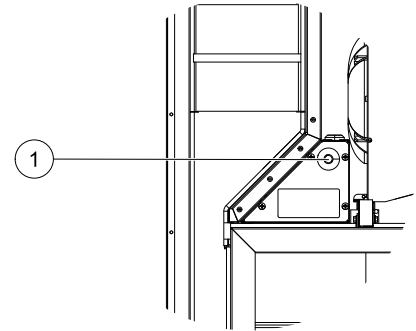


Note:

If the alarm remains, check the rotor sensor.

6.7 Overheat protection reset button

If the supply air temperature is low, it can indicate that the over heat protection is triggered. The overheat protection can be reset by pressing the reset button.



6.8 Duct system maintenance

6.8.1 Cleaning extract louvres and supply air diffusers

The system supplies fresh air to your home and extracts the used indoor air via the duct system and diffusers/louvres. Diffusers and louvres are mounted in ceilings/walls in bedrooms, living room, wet rooms, WC etc. Remove diffusers and louvres and wash in hot soapy water as required (diffusers/louvres must not be exchanged). Cleaning of diffusers/louvres can be done as necessary.

6.8.2 Checking the outdoor air intake

Leaves and pollution could plug up the air intake grille and reduce the capacity. Check the air intake grille, and clean as necessary. It is recommended to do this at least twice a year.

6.8.3 Checking the roof cowl (if fitted)

The roof cowl (if fitted) connected to the exhaust air duct needs to be checked at least twice a year and cleaned if necessary.

6.8.4 Checking and cleaning the duct system

Dust and grease deposits may build up in the duct system, even if required maintenance such as changing of filters is being carried out. This will reduce the efficiency of the installation.

The duct runs should therefore be cleaned/changed when necessary. Steel ducts can be cleaned by pulling a brush soaked in hot soapy water through the duct via diffuser/louvre openings or special inspection hatches in the duct system (if fitted).

It is recommended to do this every 5 years and is normally carried out by authorized companies specialized in this area.

7 Troubleshooting

If problems should occur, please check the items below before calling your service representative.

Malfunction	Action
Fans do not start	<ol style="list-style-type: none"> 1. Check the HMI for alarms. 2. Check that all fuses and fast couplings are connected (main power supply and fast couplings for supply and extract air fans). 3. Check that the week schedule is ON and running in AUTO mode. The week schedule might be in OFF mode with the air flow set to OFF (chapter 5.7).
Reduced airflow	<ol style="list-style-type: none"> 1. Check the HMI for alarms. Some alarms can reduce the airflow to LOW if active. 2. The unit could be in defrost mode. This reduces the fan speed and in some cases shuts down the supply air fan completely during the defrosting cycle. The fans go back to normal after finished defrosting. There should be a defrosting function icon visible in the APP or HMI home screen if defrosting is active. 3. If the outdoor air temperature is below 0°C (Outdoor air temperature sensor (OAT) measures < 0°C) outdoor airflow compensation function can be active (if enabled). Fan speed (Supply or Supply/Extract air fans) is linearly reduced for decreasing outdoor air temperature. 4. Check if temporary user mode that reduces airflow is not activated, for example AWAY, HOLIDAY, etc. Also check digital inputs CENTRAL VACUUM CLEANER and COOKER HOOD. 5. Check setting of airflow in the HMI. 6. Check week schedule settings (chapter 5.7). 7. Check filters. Is change of filters required? 8. Check diffusers/louvres. Is cleaning of diffusers/louvres required? 9. Check fans and heat exchange block. Is cleaning required? 10. Check if the buildings air intake and roof unit (exhaust) have been clogged. 11. Check visible duct runs for damage and/or build up of dust/pollution. 12. Check diffuser/louvre openings.
The unit cannot be controlled (control functions are stuck)	<ol style="list-style-type: none"> 1. Reset control functions by pulling out the plug for 10 seconds. 2. Check the modular contact connection between the HMI and the main printed circuit board.
Low supply air temperature	<ol style="list-style-type: none"> 1. Check the display for alarms. 2. Check the active user functions in HMI screen if Defrosting function is running. 3. Check set supply air temperature in the HMI. 4. Check if ECO mode is activated in HMI (it is a power saving function and prevents the heater from activating). 5. Check if user modes HOLIDAY, AWAY or CROWDED are activated in the HMI or via a hardwired switch. 6. Check the analogue inputs in the service menu to verify that the temperature sensors are functioning correctly. 7. In case of installed electrical/other re-heater battery: Check if the overheat protection thermostat is still active. If necessary, reset by pressing the red button on the front plate of the electrical re-heater. 8. Check if the extract filter must be changed. 9. Check if the unit has a re-heater battery connected. At very cold outdoor conditions an electrical or water heating battery might be necessary. A re-heater battery can be acquired as an accessory.
Noise/vibrations	<ol style="list-style-type: none"> 1. Clean fan impellers. 2. Check that the screws holding the fans are tightened. 3. Check that the anti vibration lists are fitted to the mounting bracket and to the back of the unit. 4. Check that the rotor belt is not slipping if the unit has rotating heat exchanger.

8 Alarms

Press **HELP** button on the active alarm to access FAQ and troubleshooting (if available). Press **ACKNOWLEDGE** on the individual alarm to clear it. Depending on alarm type and the cause, it might be necessary to do a troubleshooting first to acknowledge active alarm.

It may be not possible to clear the status of alarm if the cause of alarm is still present, as that would immediately trigger alarm to return.

8.1 Alarm list

Alarm name	Explanation	Do the following
Frost protection	Frost protection of return water in heating coil. <ul style="list-style-type: none"> Alarm stops the unit and opens the water valve completely. 	The alarm will reset once the water temperature reaches 13°C. Check the water fluid temperature in heating coil. Check the circulation pump of water heater. Contact your installation company or place of purchase.
Frost protection temperature sensor	Indicates malfunction of water heater temperature sensor. <ul style="list-style-type: none"> Alarm stops the unit. 	Check that frost protection temperature sensor is connected properly and cable is not damaged. Contact your installation company or place of purchase.
Defrosting error	Indicates failure of pre-heater to preheat the incoming outdoor air (in case Extra controller is configured as Preheater). <ul style="list-style-type: none"> Alarm stops the unit. 	Check the pre-heater reset button. Check the pre-heater cabling. Contact your installation company or place of purchase. Defrosting error may be caused by extremely low outdoor air temperatures or pre-heater failure.
Supply air fan rpm	Rotation speed of the supply air fan is lower than minimum required. Fan malfunction. <ul style="list-style-type: none"> Alarm stops the unit. 	Check quick connectors of the fan. Contact your installation company or place of purchase.
Extract air fan rpm	Rotation speed of the extract air fan is lower than minimum required. Fan malfunction. <ul style="list-style-type: none"> Alarm stops the unit. 	Check quick connectors of the fan. Contact your installation company or place of purchase.
Supply air fan control error	Flow or pressure alarm for supply air. The pressure is bellow pressure limit. <ul style="list-style-type: none"> Alarm stops the unit. 	Check that air tube for pressure sensor is connected properly and cable is not damaged. Contact your installation company or place of purchase.
Extract air fan control error	Flow or pressure alarm for extract air. The pressure is bellow pressure limit. <ul style="list-style-type: none"> Alarm stops the unit. 	Check that air tube for pressure sensor is connected properly and cable is not damaged. Contact your installation company or place of purchase.
Fire alarm	Fire alarm is active. <ul style="list-style-type: none"> Alarm stops the unit. 	Once the external Fire alarm is disabled – alarm has to be acknowledged and unit restarted.

Alarm name	Explanation	Do the following
Emergency thermostat	Indicates triggered overheat protection (in case of installed electric re-heater battery).	A triggered manual or automatic overheat protection (EMT) gives an alarm in the control panel. In case a manual overheat protection is triggered, reset it by pushing the reset button. If the automatic overheat protection is triggered, it will reset automatically once the temperature has dropped. If the problem continues contact your installation company or place of purchase.
Bypass damper	Indicates malfunction in bypass damper.	Disconnect the main power supply for 10 seconds to reset control function. Power up the unit, an automatic bypass damper test will be performed. If the alarm occurs again after approximately 2 minutes – contact your installation company or place of purchase.
Rotor guard	Indicates a rotor malfunction. No rotation guard signal for 180 seconds.	If the rotating heat exchanger has stopped. Check the rotor belt. If the heat exchanger is still rotating, check that the quick connector for the sensor is connected and that there is an air gap of 5-10 mm between the sensor and the magnet. Adjust the gap if necessary. If the alarm persists, the rotor sensor may be faulty. Contact your installation company or place of purchase.
Secondary air damper	Secondary air defrosting failed. Outdoor air temperature sensor measures < 10°C in 2 sec after defrosting OR Outdoor air temperature sensor measures < 5°C in 5 min after defrosting	Check if secondary air damper is in correct position. Check that damper is connected properly and cable is not damaged. Contact your installation company or place of purchase.
Outdoor air temperature sensor	Indicates outdoor air temperature sensor malfunction.	Check that sensor is connected properly and cable is not damaged. Contact your installation company or place of purchase.
Overheat temperature sensor	Indicates overheat temperature sensor malfunction.	Check that sensor is connected properly and cable is not damaged. Contact your installation company or place of purchase.
Supply air temperature sensor	Indicates supply air temperature sensor malfunction.	Check that sensor is connected properly and cable is not damaged. Contact your installation company or place of purchase.
Room air temperature sensor	Indicates room air temperature sensor malfunction.	Check that sensor is connected properly and cable is not damaged. Contact your installation company or place of purchase.

Alarm name	Explanation	Do the following
Extract air temperature sensor	Indicates extract air temperature sensor malfunction.	Check that sensor is connected properly and cable is not damaged. Contact your installation company or place of purchase.
Extra controller temperature sensor	Indicates extra controller temperature sensor malfunction.	Check that sensor is connected properly and cable is not damaged. Contact your installation company or place of purchase.
Efficiency temperature sensor	Indicates efficiency temperature sensor malfunction.	Check that sensor is connected properly and cable is not damaged. Contact your installation company or place of purchase.
PDM RH	Indicates internal relative humidity sensor malfunction. Active: measured humidity = 0% Returned: measured humidity > 5%	Check that sensor is connected properly and cable is not damaged. Contact your installation company or place of purchase.
PDM RH Extract air temperature	Indicates internal extract air temperature sensor malfunction. Active: measured temperature = 0°C Returned: measured temperature > 5°C	Check that sensor is connected properly and cable is not damaged. Contact your installation company or place of purchase.
Filter warning	Notification about filter change.	Filter have to be replaced in one month time. Please acquire new filters.
Filter	Time for filter change.	Change the filter. Change filter according to the instructions in the User Manual. Details about filter retailers can be found in Help menu.
Extra controller alarm	Error from external device.	Check if external device is connected properly and cable is not damaged. Reset overheat protection on electrical pre-heater. Contact your installation company or place of purchase.
External stop	Unit is stopped by external signal.	Operation is stopped by digital signal from external remote device or signal from building management system.
Manual fan stop active	Operation stopped, fans are in manual mode and selected as OFF.	Select another speed of fans (LOW / NORMAL / HIGH) or AUTO mode in HMI home screen.
Overheat temperature	Temperature after reheater is too high. Active: (Overheat temperature sensor measures > 55°C) Returned: (Overheat temperature sensor measures < 50°C)	Alarm is possible if supply airflow is too low when the reheater is switched on. Check the supply airflow. Check that intake grille is not blocked. Check that shut off damper for outdoor air is open in operation. Contact your installation company or place of purchase.
Low supply air temperature	Supply air temperature is too low. Active: (Outdoor air temperature sensor measures < 0°C) AND (Supply air temperature sensor measures < 5°C) Returned: (Supply air temperature sensor measures > 10°C)	Check the heat exchanger and re-heater or refer to Point 2 in "Troubleshooting" menu.

Alarm name	Explanation	Do the following
CO ₂	External CO ₂ sensor malfunction.	Check that sensor is connected properly and cable is not damaged. In case sensor wireless – check RS485 gateway status and sensor status in HMI. Contact your installation company or place of purchase.
RH	External relative humidity sensor malfunction.	Check that sensor is connected properly and cable is not damaged. In case sensor wireless – check RS485 gateway status and sensor status in HMI. Contact your installation company or place of purchase.
Output in manual mode	One or more of analogue outputs are in manual mode.	Check Service menu for Output settings, and check all configured outputs to be in Auto mode. If any outputs in Manual - change back to Auto mode.

Alarm `Fire Alarm` can be only activated with a digital signal from a smoke/fire detection system or similar. Digital input has to be configured as `Fire Alarm` for this alarm to work.

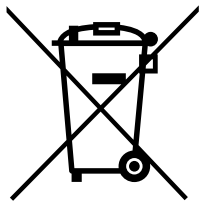
Digital output configured as `Sum Alarm` sends a generic signal every time the alarm is triggered, except for alarms `External stop`, `Output in manual mode` and `Manual Fan Stop`. This signal does not specify the alarm type.

© Upphovsrätt Systemair AB
Alla rättigheter förbehållna
Med förbehåll för eventuella fel och förbiseenden
Systemair AB förbehåller sig rätten för ändringar av produkterna utan föregående meddelande.
Detta gäller även redan beställda produkter, så länge det inte påverkar tidigare överenskomna specifikationer.

Innehåll

1	Avfallshantering och återvinning	27		
2	Varning	27		
3	Märkskylt	27		
4	Inledning	28		
5	Konfiguration	28		
5.1	Allmänt	28		
5.2	Startguide	28		
5.3	Vanliga symboler	29		
5.4	Menyöversikt	29		
5.5	Hemskärmen	30		
5.5.1	Användarlägen	30		
5.5.2	Inställning av temperatur	32		
5.5.3	Luftflödesinställningar	33		
5.5.4	Inomhusluftens kvalitet	33		
5.5.5	Statusraden	34		
5.6	Beskrivning av användarfunktionernas ikoner	34		
5.7	Veckoschema	35		
5.7.1	Schema för luftflödesinställningar	35		
5.7.2	Redigera schema	35		
6	Underhåll av aggregatet	36		
6.1	Varning	36		
6.2	Demontering/montering av frontkåpa	37		
6.3	Filterbyte	37		
6.3.1	Återställning av filtertiden	37		
6.4	Kontroll och rengöring av värmeväxlaren	37		
6.5	Rengöring av fläktar	38		
6.6	Byte av rotordrivrem	38		
6.7	Återställningsknapp för överhettningsskydd	40		
6.8	Underhåll av kanalsystemet	40		
6.8.1	Rengöring av frånluftsgaller och tilluftsdiffusorer	40		
6.8.2	Kontroll av uteluftsintag	40		
6.8.3	Kontroll av takhuv (om sådan finns)	40		
6.8.4	Kontroll och rengöring av kanalsystemet	40		
7	Felsökning	40		
8	Larm	42		
8.1	Larmlista	42		

1 Avfallshantering och återvinning



Denna produkt är i överensstämmelse med direktivet om elektriskt och elektroniskt avfall. Vid kassering av aggregatet ska lokala regler och föreskrifter följas. Produktens förpackningsmaterial är återvinningsbart och kan återanvändas. Släng inte med hushållsavfall.



2 Varning



Fara

- Säkerställ att spänningsmatningen är bruten före underhållsarbete och elarbete.
- Arbete med elektriska anslutningar och underhåll får endast utföras av behörig personal och i enlighet med gällande krav och föreskrifter.



Varning

- Denna produkt får endast användas av en person som har lämplig kunskap eller utbildning inom detta område eller står under överinseende av en person med lämpliga kvalifikationer.
- Se upp för vassa kanter vid installation och underhåll. Använd skyddshandskar.



Varning

- Det dröjer något innan alla rörliga delar stannat helt efter att aggregatet kopplats bort från elnätet – risk för personskada.

Viktigt

- Aggregatet och hela ventilationssystemet ska installeras av behörig personal och i enlighet med gällande krav och föreskrifter.
- Systemet bör ständigt vara i gång och får bara stoppas vid underhåll/service.
- Anslut inte torktumlare till ventilationssystemet.
- Kanalanslutningar/kanaländar ska vara täckta vid förvaring och installation.
- Kontrollera att alla filter är monterade innan du startar aggregatet.

3 Märkskylt

Ha aggregatets huvuddata och tillverkningsnummer till hands när du kontaktar servicetekniker. Uppgifterna finns på märkskylten på aggregatets sida, nära de externa anslutningarna.

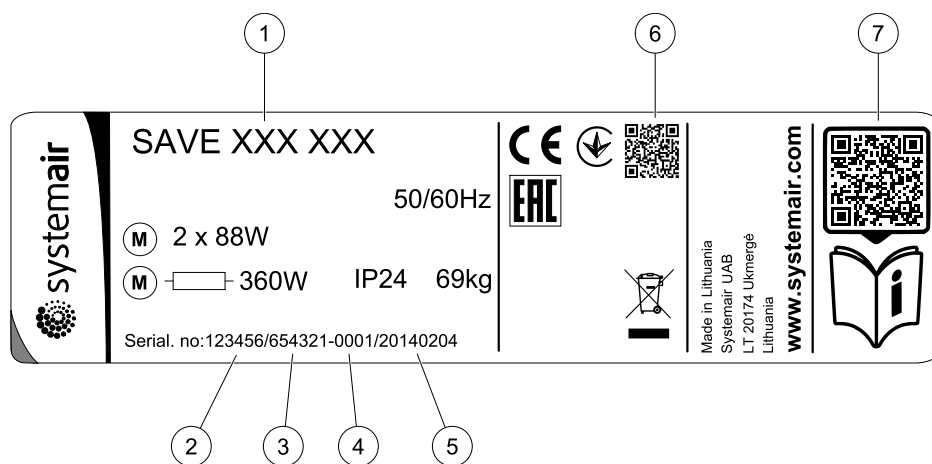


Fig. 1 Märkskylt

Position	Beskrivning
1	Produktkod (produktspecifikation)
2	Artikelnummer för produkten
3	Produktionsordernummer
4	Serienummer
5	Tillverkningsdatum (ÅÅ.MM.DD)
6	QR kod för tillverkningsorder (MO) nummer och version av programvara
7	QR kod för reservdelista och dokumentation

4 Inledning

SAVE VTR 150/B är ett ventilationsaggregat med värmeåtervinningsfunktion med inbyggd högeffektiv roterande värmeväxlare. SAVE VTR 150/B är lämplig för mindre lägenheter och småhus. Aggregatet förser bostadsutrymmen med filtrerad uteluft och evakuerar frånluft från kök och från badrum och andra våtrum.

Aggregatet finns i vänsterutförande (L) och högerutförande (R). Båda utförandena finns med monterat eftervärmningsbatteri på 500 W eller 1000 W. De olika modellerna känns igen på placeringen av de interna komponenterna. Den här instruktionsboken innehåller grundläggande information om användning och underhåll av ett aggregat i vänsterutförande (L) och det system det är anslutet till.



Obs!

I handboken beskrivs vänsterutförandet (L). Högerutförandet (R) är invändigt en spegelvändning av vänsterutförandet.

5 Konfiguration

5.1 Allmänt

SAVE VTR 150/B har en modern LCD-pekskärmsmanöverpanel, vanligtvis benämnd HMI - (Human Machine Interface). Displayen ger information om aggregatets aktuella status och gör att du kan styra alla systemfunktioner.

Inställningar görs genom att röra vid ikonerna eller alternativen. Pekskrmen är känslig och det är inte nödvändigt att trycka för hårt.

5.2 Startguide

Under den första påslagningen av aggregatet blir du ombedd att ange:

- Menyspråk
- Tid och datum
- importera konfigurationsfil (om internetåtkomstmodulen (IAM) och konfigurationsfil finns tillgängliga)
- Luftflödesregleringstyp (manuell/varvtal) och luftflödesnivåvärdena.

- Typ av värmare (Ingen//ElektriskVattenKombi-batteri)

Det går inte att hoppa över startguiden ("Startup Wizard").

5.3 Vanliga symboler

Följande symboler är vanliga och förekommer i de flesta menysidor:



Knappen tillbaka för att gå tillbaka till en föregående meny, finns i det övre vänstra hörnet



Uppåtpilen för att öka ett värde



Nedåtpilen för att minska ett värde



På- och avreglaget finns för att aktivera eller avaktivera en funktion. Vit bubbla - funktion är inaktiv, gröna bubbla - funktion är aktiv.

AVBRYT

Knapp för att avbryta ändringar

**STÄLL
IN/OK**

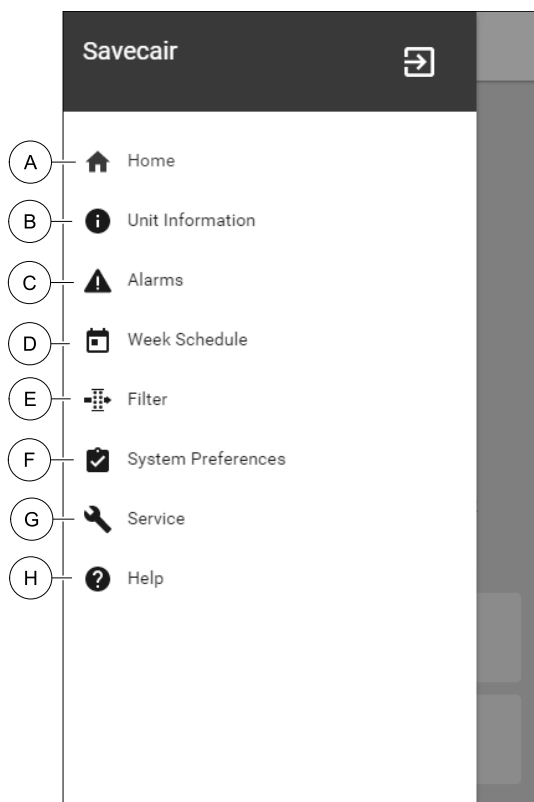
Knappar för att bekräfta ändringar

Vissa meny har flera än en sida. Tryck på sidans indikator i det övre högre hörnet för att gå till nästa sida. Ex (1/2) Den första siffran anger det aktuella sidonumret och den andra siffran anger den totala summan av alla sidor.

Många alternativ visas upp i en form av popup-fönster. Välj bland alternativen som visas i listan i popup-fönstret och tryck på OK för att bekräfta valet.

5.4 Menyöversikt

- Gå tillbaka till hemskärmen
- Grundläggande skrivskyddad information om aggregatet
- Aktiva larm och larmhistorik
- Konfigurera och kontrollera veckoschema
- Kontrollera och ändra återstående tid till filterbyte
- Allmänna systeminställningar
- Konfiguration av alla systemparametrar
- Hjälp- och felsökningsmeny

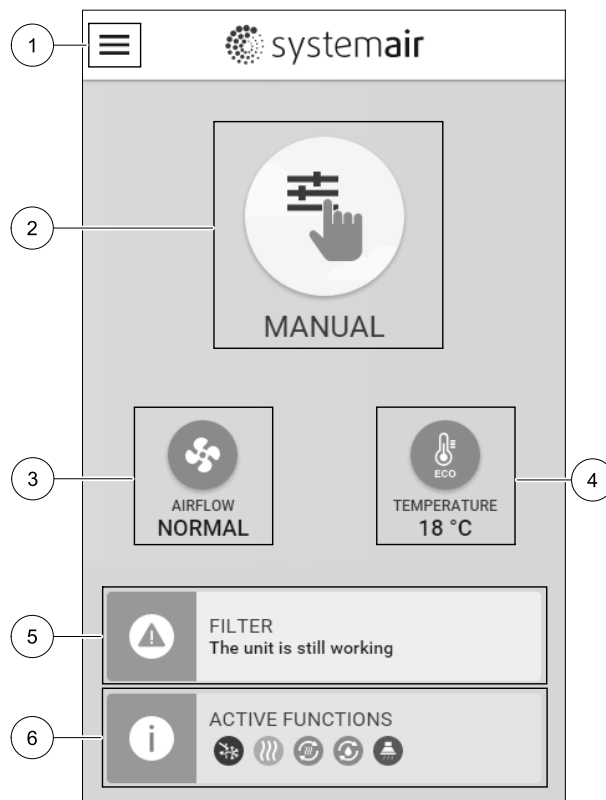


5.5 Hemskärmen



Tryck på hemknappen (position A) i rullgardinsmenylista (position 1) tar dig alltid tillbaka till hemskärmen efter driftsättning.

1. Rullgardinsmenylista
2. Aktivt användarläge
3. Luftflödesinställningar
4. Inställning av temperatur
5. Lista över aktiva larm
6. Ikonlista över aktiva användares funktioner



5.5.1 Användarlägen

Den första ikonen längst upp på hemskärmen visar för närvarande aktiva användarlägen. För att ändra användarläge tryck på det aktiva användarlägets ikon (position 2) och välj ett nytt användarläge från listan. Aggregatet har 2 fasta och 5 tillfälliga användarlägen som kan väljas. Bara ett läge åt gången kan vara aktivt.

Inställningar i alla lägen kan ändras i *Service*-menyn.






5.5.1.1 Permanenta lägen

Permanent lägen är alltid aktiva om de inte avbryts av tillfälliga lägen, aktiverade användarfunktioner eller larm:

Ikon	Text	Beskrivning
	AUTO	Automatisk luftflödesreglering. AUTO -läge kan väljas när Behovsstyrning, Veckoschema och/eller externa fläktstyrningsfunktioner är konfigurerade, annars kommer AUTO symbolen inte synas i aktiva användarlägens meny. AUTO -läget aktiverar Behovsstyrning, Veckoschema och/eller externa fläktstyrningsfunktioner. Behov finns att välja som luftflöde i veckoprogrammet.
	MANUELL	Manuellt val av luftflödesnivåer. Aggregatet kan ställas in till en av fyra tillgängliga luftflödeshastigheter: Av/Låg/Normal/Hög. Obs! Fläkten kan ställas in till Av genom att aktivera Manuellt Fläktstopp funktionen i servicemenyn.

5.5.1.2 Tillfälliga lägen

Tillfälliga lägen är endast aktiva under en bestämd tidsperiod om de inte avbryts av aktiva användarlägen, aktiverade funktioner eller larm:

Ikon	Text	Beskrivning
	SEMESTER	Ställer in hastigheten för både till- och frånluftsfläktar till Låg nivå när användaren är bortrest under en längre period. ECO-läget är aktivt. Inställ tid i dagar.
	PARTY	Ställer in hastigheten för både till- och frånluftsfläktar till maximalt höga nivåer och temperaturvärdesförskjutning till -3 K när lägenhet är mer välbesökt än vanligt. Standard temperaturbörvärdesförskjutning är -3 K . Inställning av tid i timmar.
	BORTA	Ställer in hastigheten för både till- och frånluftsfläktar till Låg när användaren är bortrest under en kort tid. ECO-läget är aktivt. Inställning av tid i timmar.
	VÄDRING	Ställer in hastigheten för både till- och frånluftsfläktar till maximala hög nivå för att ersätta inomhusluft med frisk luft på kort tid. Inställning av tid i minuter.
	ELDSTAD	Ställer in hastigheten av tilluftsfläkt till hög nivå och frånluftsfläkten till låg nivå för att öka lufttrycket i lägenheten för bättre rökevakuering genom skorstenen. Inställning av tid i minuter.







Inställningar i alla lägen kan ändras i **Service-** menyn.

Tillfälliga lägen och funktioner är endast aktiva under en bestämd tidsperiod efter vilken de avslutas och aggregatet återgår till ett tidigare **AUTOMATISKT** eller **MANUELLT** läge beroende på vilket som var aktiverat före tillfälligt läge eller användarfunktion var aktiverad.

Temporära lägen kan även aktiveras via digital ingångssignal som aktiveras av t.ex. en tryckknapp eller närvarogivare.

5.5.1.3 Digital ingångsfunktioner

Digitala ingångsfunktionerna är alltid aktiva medan den digitala ingången är aktiverad.

Ikon	Text	Beskrivning
	Centraldammsugare	Funktionen ställer in hastigheten av tilluftsfläkt på hög nivå och frånluftsfläkten till låg nivå för att öka lufttrycket inom lägenheten för bättre uppsamling av damm genom den centrala dammsugare. Funktionen kan aktiveras via en digital ingång - Centraldammsugarfunktionen.
	Spiskåpa	Ställer in hastigheten för både till- och frånluftsfläktar till Maximum nivå för att öka luftflödet i spiskåpan. Funktionen kan aktiveras via digital ingång - Spiskåpsfunktion.
	Konfigurerbar digital ingång 1	Konfigurerbar digital ingång för egeninställd funktionalitet. Luftflödesnivåerna för båda fläktarna kan konfigureras fritt. Högt prioriterad funktion.
	Konfigurerbar digital ingång 2	Konfigurerbar digital ingång för egeninställd funktionalitet. Luftflödesnivåerna för båda fläktarna kan konfigureras fritt. Normalt prioriterad funktion.
	Konfigurerbar digital ingång 3	Konfigurerbar digital ingång för egeninställd funktionalitet. Luftflödesnivåerna för båda fläktarna kan konfigureras fritt. Lågt prioriterad funktion.
	Tryckvakt	Konfigurerbar digital ingång för tryckgivaranlutning. Luftflödesnivåerna för båda fläktarna kan konfigureras fritt.

5.5.1.3.1 Konfigurerbara digitala ingångar

En egeninställd luftflödesinställning för tillufts- och frånluftsfläktar kan ställas in och tilldelas en digital ingång. Varje fläkt kan ha olika luftflödesinställningar.

Konfigurerbara digitala ingångar kan aktiveras via signal som aktiveras av en tryckknapp, närvarogivare eller någon annan extern enhet med digital utgång, så som ett BMS-system.

Konfigurerbara digitala ingångar grupperas efter prioritetsnivå, där konfigurerbar digital ingång 1 är den högsta, vilket innebär att den inte kan skrivas över av andra användarfunktioner.

5.5.1.4 Digital ingång och hierarkiläge

Användarlägen och funktioner har en annan hierarki. Användarnas funktioner som aktiveras via HMI eller mobilapp är sådana som BORTA, PARTY, ELDSTAD, SEMESTER och VÄDRA avbryts av manuellt val av AUTOMATISKA och MANUELLA fläktlägen.

EnELDSTADSFUNKTION har högsta prioritet mellan användarfunktioner. Andra funktioner aktiveras via HMI/APP kan störa varandra.

Om eldstadsfunktionen är fastkopplad på anslutningskortet och konfigureras som digital ingång (DI) har det därför högre prioritet än AUTOMATISKT och manuellt läge. Den digitala ingången för en Eldstadsfunktion har också en högre prioritet än andra hårt dragna digitala ingångar (DI) för: BORTA, CENTRALDAMMSUGARE, SPISKÅPA, PARTY, SEMESTER eller VÄDRA.

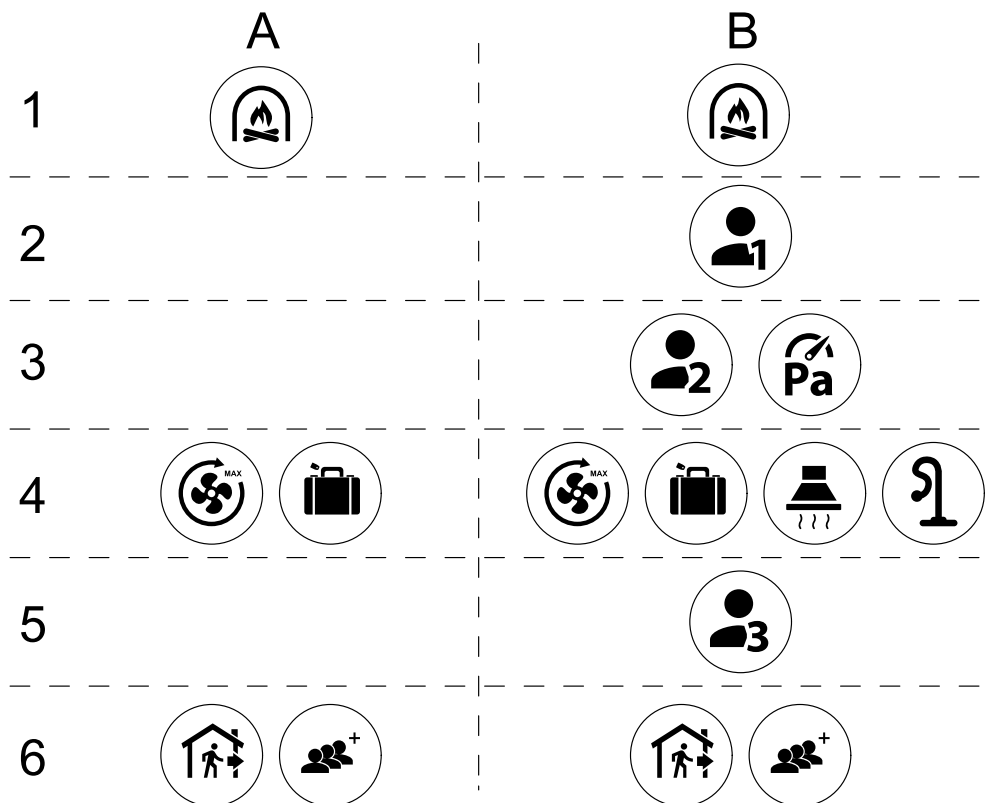


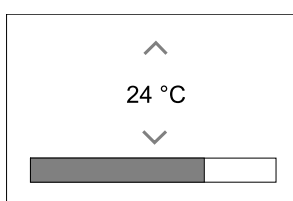
Fig. 2 Hierarki för användarlägen och digitala ingångar

Lägen listas från högsta till lägsta prioritet; A – användarlägen som kan aktiveras från manöverpanelen; B – användarlägen och funktioner aktiverade via digital ingång

5.5.2 Inställning av temperatur



Temperaturen kan ställas in på VÄLJ TEMPERATUR-meny tillgänglig från hemskärmen genom att trycka Temperatursymbolen med en termometer. Standard temperaturvärde är 18°C (12- 30°C).



Använd upp- och nedpilarna eller ett skjutreglage för att ändra värdet.

Tryck sedan på OK för att bekräfta ändringarna.

Temperaturbörvärdet är för rumsluftstemperatur, tilluftstemperatur eller för frånluftstemperatur beroende på vilket kontrolläge som är aktivt. Standardinställning är tilluftstemperatur.

Kontrolläge av temperaturen kan ändras i Servicemenyn.

5.5.2.1 ECO-läge



ECOLÄGE är en energisparfunktion som kan aktiveras i VÄLJ TEMPERATUR-menyn.

ECO-läge funktion är möjlig bara när en intern värmare är installerad och konfigurerad.

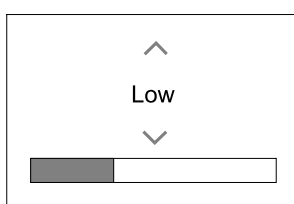
Medan ECO-läget är aktivt, sänks ett temperaturbörvärde vid vilket värmaren är aktiverad för att undvika aktivering av värmaren under den kalla natten.

Om temperaturen är mycket låg och värmaren aktiveras under natten (även med sänkt temperaturbörvärde), kommer inomhustemperaturen sedan att ökas under kommande dagtid med värmeväxlaren så att lagrad värme kan användas under nästa kalla natt, där det sänkta börvärdet för värmaren kvarstår.

ECO-läget kommer att påverka de följande funktionerna/lägena om valda:	ECO-LÄGET är alltid aktiverad av följande lägen:
<ul style="list-style-type: none"> • AUTOLÄGE • MANUELLT LÄGE • BORTALÄGE • SEMESTERLÄGE • CENTRALDAMMSUGARE • SPISKÅPA • ELDSTADSLÄGE 	<ul style="list-style-type: none"> • BORTALÄGE • SEMESTERLÄGE
	<p>ECO-läge avaktiveras alltid med följande funktioner/lägen:</p> <ul style="list-style-type: none"> • PARTYLÄGE • VÄDRINGSLÄGE • FRIKYLNINGSFUNKTIONEN

5.5.3 Luftflödesinställningar

Luftflödesinställningarna är endast tillgängliga i manuell läge. Klicka på fläktikonen på huvudskärmen för att gå in på meny för att välja LUFTFLÖDE.



Använd upp- och nedpilarna eller ett skjutreglage för att ändra luftflödets värde.

Luftflödet kan ställas in i följande steg: Av/Låg/Normal/Hög. Inställningen styr utsignalerna till tillufts- och frånluftsfläktarna.

Viktigt

Vi rekommenderar **inte** att ställa in fläkten på Av i vanliga bostäder. Om manuellt fläktstopp aktiveras bör aggregatet förses med spjäll i avlufts- och uteluftskanalerna för att undvika kallras och risk för kondens när aggregatet har stoppats. Fläkten kan sättas till Från genom att aktivera Manuell Fläktstoppfunktion i servicemenyn.

5.5.4 Inomhusluftens kvalitet



Enheten styr automatiskt luftfuktigheten inomhus och/eller CO₂ nivåerna genom att justera luftflödet. Luftflöde ökar om luftkvalitet minskar.

Behovsstyrningsfunktionen ansvarar för IAQ (Inomhusluftens kvalitet) reglering. Relativ fuktighet (RH) och/eller CO₂-sensorerna är ansvariga för IAQ-övervakning.

Luftkvalitetens (IAQ) inomhusindikator finns om **AUTOLÄGE** och **behovsstyrning** är aktiverat.

IAQ-nivåer:

- **EKONOMI**: Faktiska IAQ-värdet är lägre än låg IAQ-börvärdet.
- **BRA**: Faktiska IAQ-värdet ligger mellan de låga och höga IAQ-gränserna.
- **FÖRBÄTTRAS**: Faktiska IAQ-värdet är högre än ett högt IAQ-börvärde.

Olika Luftflödesinställningar kan ställas in för att **FÖRBÄTTRAS** och **BRA** IAQ-nivåer i **servicemenyn**.

Börvärde för relativ luftfuktighet och CO₂ Nivån kan ställas in i **servicemenyn**.

5.5.5 Statusraden.

Statusraden i området längst ned på hemskärmen visar information om:



Lista över aktiva larm. Se kapitel 8.1 för mer information










Lista över aktiva funktioner. Se kapitel 5.6 för mer information.

Rör vid någon av dessa linjer för att gå till nästa sida med en mer detaljerad lista och information om varje larm och aktiv användarfunktion.

5.6 Beskrivning av användarfunktionernas ikoner

Ikon	Text	Beskrivning
	Värme	Ansluten värmare eller förvärmare är aktiv och luftuppvärmning pågår.
	Värmeåtervinning	Värmeåtervinning från lägenhet är aktiv.
	Kylning	Ansluten kylare är aktiv och luftkylning pågår.
	Kylåtervinning	Automatisk kylåtervinning är aktiv när frånluftstemperaturen från lägenhet är lägre än uteluftstemperaturen och det finns ett kylbehov (temp. börvärde är lägre än uteluftstemperaturen). Ingen kylåtervinning vid uppvärmningsbehov. Om utomhustemperaturen är högre än inomhusluftens temperatur och det finns ett uppvärmningsbehov, aktiveras funktionen Fri uppvärmning i stället.
	Frikyla	Funktionen minskar inomhusluftens temperatur genom att endast använda sval uteluft på natten för att spara energi.
	Fuktöverföring	Funktionen styr rotationshastigheten hos värmeväxlaren för att förhindra fuktöverföring till tilluften på grund av för hög relativ fuktighet i frånluften. Funktionen är endast tillgänglig för enheter med roterande värmeväxlare.
	Avfrostning	Funktionen förhindrar bildande av is på värmeväxlaren vid låga utetemperaturer.
	Sekundär luft	Varm luft från vardagsrum används för att avfrosta värmeväxlaren med ett spjäll inuti uteluftskanalen. Enheten växlar från uteluft till sekundärluft medan frånluftsfläkten stannar och varm sekundärluft höjer temperaturen inuti värmeväxlaren.

Ikon	Text	Beskrivning
	Dammsugare	Funktionen ställer in hastigheten av tilluftsfläkt på hög nivå och frånluftsfläkten till låg nivå för att öka lufttrycket inom lägenheten för bättre uppsamling av damm genom centraldammsugare. Funktionen kan aktiveras via en digital ingång - Centraldammsugarfunktionen. Alltid aktiv medan digital ingång är aktiverad.
	Spiskåpa	Ställer in hastigheten för både till- och frånluftsfläktar till Maximum nivå för att öka luftflödet i spiskåpan. Funktionen kan aktiveras via digital ingång - Spiskåpsfunktion.
	Användarlås	Funktion indikerar att systemet är låst med ett lösenord och inställningar kan inte redigeras eller ändras på något sätt. Systemet måste först låsas upp för att göra ändringar.
	Konfigurerbar digital ingång 1	Konfigurerbar digital ingång för egeninställd funktionalitet. Luftflödesnivåerna för båda fläktarna kan konfigureras fritt. Högt prioriterad funktion.
	Konfigurerbar digital ingång 2	Konfigurerbar digital ingång för egeninställd funktionalitet. Luftflödesnivåerna för båda fläktarna kan konfigureras fritt. Normalt prioriterad funktion.
	Konfigurerbar digital ingång 3	Konfigurerbar digital ingång för egeninställd funktionalitet. Luftflödesnivåerna för båda fläktarna kan konfigureras fritt. Lågt prioriterad funktion.
	Tryckvakt	Konfigurerbar digital ingång för tryckvaktsanslutning. Luftflödesnivåerna för båda fläktarna kan konfigureras fritt.

5.7 Veckoschema



Enheten kan konfigureras till att fungera vid inställda luftflödesnivåer i upp till två tidsperioder (00:00-23:59) på användarens inställda dagar. Veckoschema är endast aktivt under AUTOLÄGE.

5.7.1 Schema för luftflödesinställningar

Tryck på ikonen för inställningar för att gå till SCHEMA FÖR LUFTFLÖDESINSTÄLLNINGAR-menyn. I den här menyn väljer man luftflödesnivåerna för planerade och oplanerade perioder. Tillgängliga nivåer: Avstängd, Låg, Normal, Hög och behov. Ställ in temperaturbörvärdesförskjutningen för båda perioderna (-10°C - 0°C).




Behovs-nivån är endast tillgängligt om Behovsstyrning eller extern fläktfunktion är aktivt.

5.7.2 Redigera schema



Tryck på ikon längst ner till vänster på skärmen för att lägga till ett nytt schema eller tryck på knappen REDIGERA för att ändra redan tillagt schema.

För att konfigurera ett schema:

1. Ställ in tiden. Tryck på START- och SLUTTID-värdena för att ändra tiderna. Använd pilknapparna  och  För att öka eller minska värdet. Bekräfta med OK- knappen.



Obs!

Schemalagda tiden kan börja men aldrig ta slut vid midnatt (00:00). Den senaste SLUTTIDS-perioden är 23:59. Schemalagd tidpunkt kan inte gå över till nästa dag. 12 eller 24 timmar tidformat kan ändras i inställningar meny.

Om nödvändigt, aktivera en annan schemalagd period och bestäm tid.

2. När tiden är inställd, klicka på den dag(ar) när schemat ska vara aktivt. Det är möjligt att ställa in ett separat schema för varje dag.

Redan schemalagda dagar finns inte tillgängliga att väljas för nya scheman.

3. Bekräfta planering med OK- knappen.

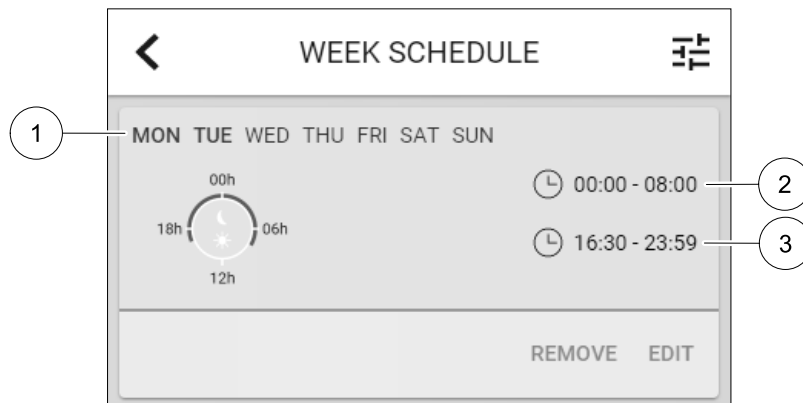


Fig. 3 Veckoprogramsexempel

Schemalagda dagar är markerade (position. 1). Första tidsperioden (position. 2) och den andra tidsperioden (position. 3) Visas till höger om varje schema.

6 Underhåll av aggregatet

Underhåll på SAVE VTR 150/B bör normalt utföras 3-4 gånger per år.

6.1 Varning



Fara

- Säkerställ att spänningsmatningen är bruten före underhållsarbete och elarbete.
- Arbete med elektriska anslutningar och underhåll får endast utföras av behörig personal och i enlighet med gällande krav och föreskrifter.



Varning

- Denna produkt får endast användas av en person som har lämplig kunskap eller utbildning inom detta område eller står under överinseende av en person med lämpliga kvalifikationer.
- Se upp för vassa kanter vid installation och underhåll. Använd skyddshandskar.



Varning

- Det dröjer något innan alla rörliga delar stannat helt efter att aggregatet kopplats bort från elnätet – risk för personskada.

Viktigt

- Aggregatet och hela ventilationssystemet ska installeras av behörig personal och i enlighet med gällande krav och föreskrifter.
- Systemet bör ständigt vara i gång och får bara stoppas vid underhåll/service.
- Anslut inte torktumlare till ventilationssystemet.
- Kanalanslutningar/kanaländar ska vara täckta vid förvaring och installation.
- Kontrollera att alla filter är monterade innan du startar aggregatet.

6.2 Demontering/montering av frontkåpa

Den invändiga frontkåpan är fäst med fyra skruvar. Lossa skruvarna och dra den invändiga fronten mot dig.

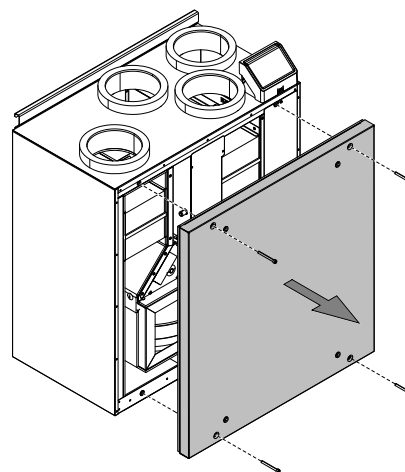


Fig. 6 Demontering/montering av invändig front

6.3 Filterbyte



Fara

Se till att aggregatet är bortkopplat från elnätet före underhåll och/eller elarbete.

Filtren ska bytas med 3-15 månaders intervall, standardinställningen är 12 månader. Filtertid återställs automatiskt efter filter är byt och larm erkänt.

De fabriksmonterade filtren är av filterkvalitet M5/ePM10 50% för tilluftsfilteret och M5/ePM10 50% för frånluftsfilteret. Filtren måste bytas ut när de blivit smutsiga. Nya filtersatser kan beställas från montören eller lämplig återförsäljare.

Filter av kvalitet F7/ePM1 60 % kan användas för tilluftsfiltrering. Filtertypen är utmärkt upptill på filtret.

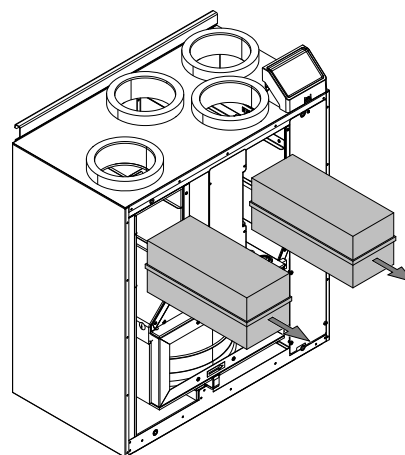


Fig. 7 Värmeväxlarfilter

6.3.1 Återställning av filtertiden

När filter har byts, måste man återställa filtertid. Gå till **FILTER** meny (se 5.4 *Menyöversikt*, sida 29, pos. E) eller (om det finns ett filterlarm), klicka på larmstatuslinjen (se 5.5 *Hemskärmen*, sida 30, pos. 5) och välj filterlarm. Välj **BYT FILTER**, ställ in en ny filterperiod på snabbmeny och tryck **OK** för att bekräfta valet.

Filtertid är nu återställd.

6.4 Kontroll och rengöring av värmeväxlaren



Fara

• Se till att aggregatet är bortkopplat från elnätet före underhåll och/eller elarbete.

Även om underhållet sköts korrekt, kommer det att samlas damm i värmewäxlarblocket. För att aggregatets höga prestanda ska bibehållas är det därför mycket viktigt regelbundet ta ut och rengöra värmewäxlarblocket, som visas nedan. Rengör värmewäxlaren minst vart 3:e år, oftare om så krävs.

1. Koppla ur rotorns strömförsörjning och rotorgivaren. Kablarna löper bredvid rotorn, baktill.
2. Dra ut rotorn i riktning mot dig. Du kan behöva dra relativt kraftigt.
3. Rengör rotorn.

Tvätta med varmt såpvatten. Använd inte rengöringsmedel som innehåller ammoniak. Skölj exempelvis med ett duschhandtag.



Varning

Se till att rotormotorn inte utsätts för fukt.

4. Återmontera rotorn. Återanslut kablarna för strömförsörjning och rotorgivare.

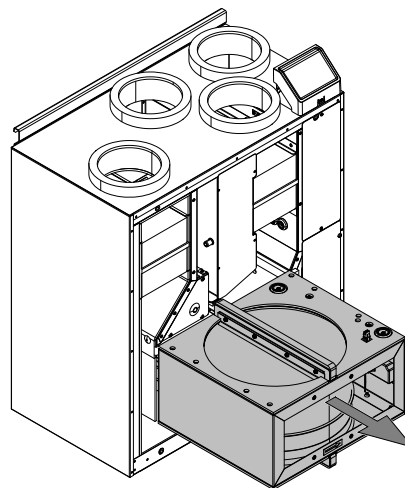


Fig. 8 Värmewäxlare

6.5 Rengöring av fläktar



Fara

- Se till att aggregatet är bortkopplat från elnätet före underhåll och/eller elarbete.

Motorlagren är permanentsmorda och underhållsfria.

Även om du utför allt nödvändigt underhållsarbete, som att byta filter, kan damm och fett långsamt ansamlas i fläktarna. Det leder till att aggregatets prestanda försämras.

Du kan rengöra fläktarna enligt anvisningarna nedan.

1. Koppla ur fläktarnas strömförsörjningskablar. Kablarna löper bredvid respektive fläkt, baktill.
2. Dra ut fläktarna i riktning mot dig. Du kan behöva dra relativt kraftigt.
3. Rengör fläktarna med en trasa eller en mjuk borste. Använd inte vatten. Lösningssmedel kan användas för att avlägsna avlagringar som annars är svåra att få bort.
Låt fläktarna torka ordentligt före återmontering.
4. Återmontera fläktarna. Återanslut strömförsörjningskablarna.

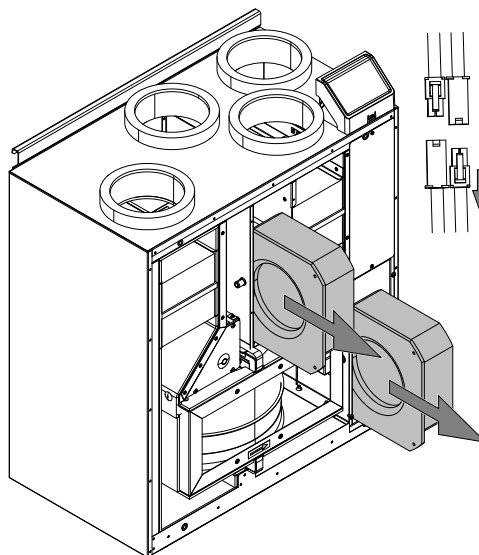
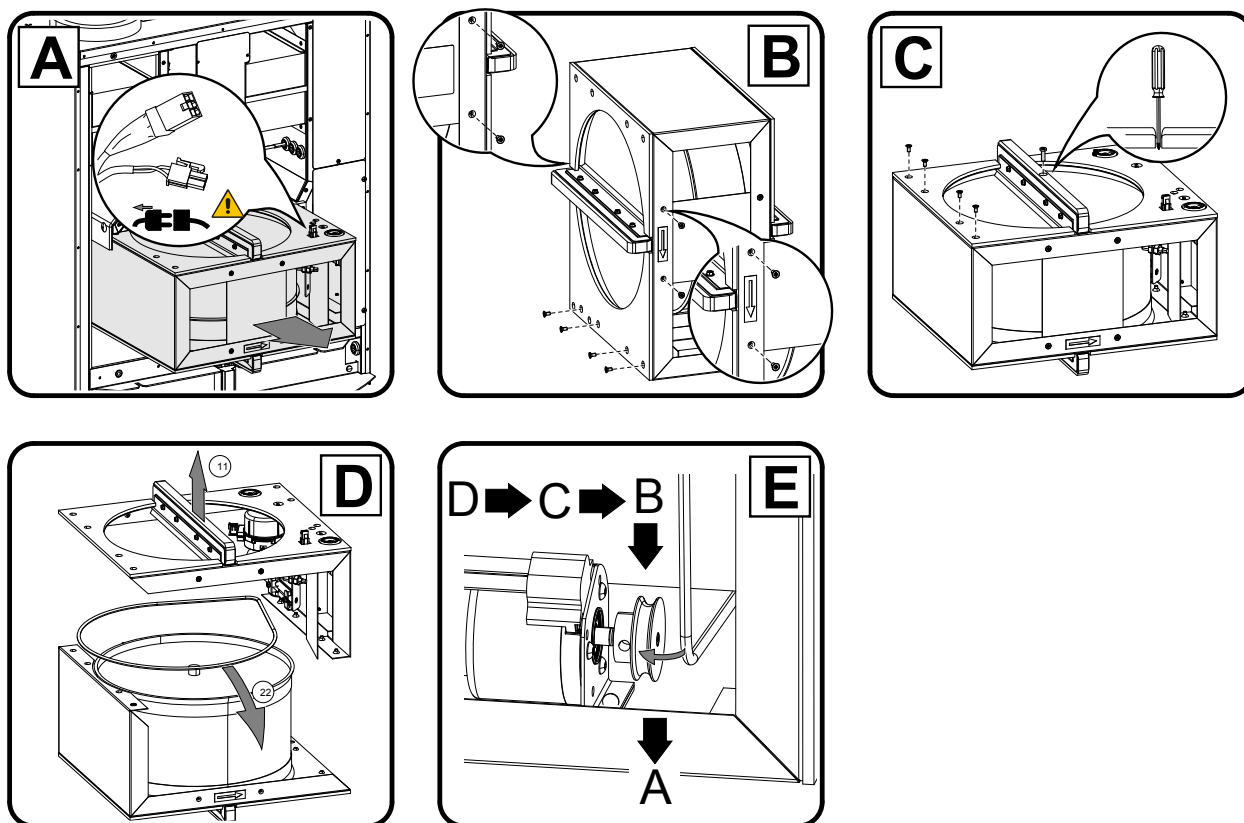


Fig. 9 Från- och tilluftsfläktar

6.6 Byte av rotordrivrem

Om larmet ROTORVAKT utlöses kan rotordrivremmen ha skadats eller gått av, se kapitel 8.1.

En extra drivrem finns redan fastsatt på värmewäxlarens rotor som levereras med enheten.



Om båda de svetsade remmarna gått sänder kan fognippeln användas för tillfällig reparation, tills remmen kan bytas ut. Beroende på hur aggregatet är installerat kanske det inte nödvändigt att demontera värmväxlarpaketet för att utföra den tillfälliga reparationen, om det går att komma åt remskivan.

1. Stoppa aggregatet genom att bryta strömförsörjningen.
2. Öppna och ta bort sidopanelen.
3. Ta bort den trasiga drivremmen.
4. Fäst drivremmen på den roterande värmväxlaren med tejp och dra runt värmväxlaren för hand för att få grepp om remmen.
5. Ta bort tejpens och sätt den "tomma" änden på nippeln. Tryck ändarna stadigt mot varandra och dra åt nippeln.

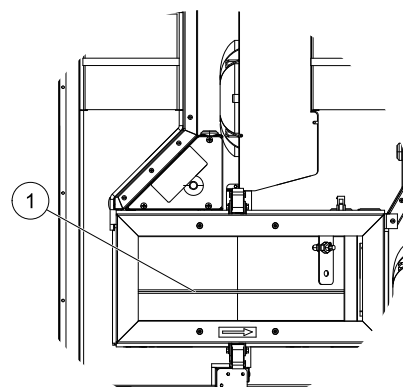


Fig. 10 Rotordrivrem

6. Dra på drivremmen över remskivan och dra runt värmväxlaren för hand. Kontrollera att remskivan går runt.



Obs!

Om drivremmen slirar är den för lång och behöver kortas. Skär bort 5 mm av drivremmen och gå till steg 5.

7. Sätt tillbaka och lås sidopanelen och anslut aggregatet till elnätet.
8. Kontrollera att larmet har upphört på manöverdisplayen.

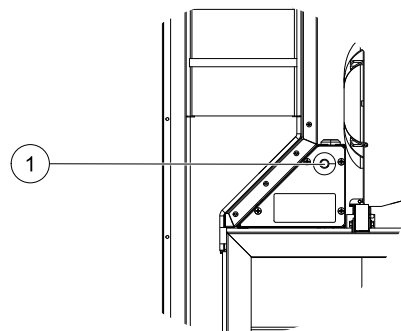


Obs!

Kontrollera rotorgivaren om larmet kvarstår.

6.7 Återställningsknapp för överhettningsskydd

Låg tilluftstemperatur kan vara ett tecken på att överhettningsskyddet har löst ut. Överhettningsskyddet kan återställas genom att trycka på återställningsknappen.



6.8 Underhåll av kanalsystemet

6.8.1 Rengöring av frånluftsgaller och tilluftsdiffusorer

Systemet förser bostaden med frisk luft och leder bort den använda inneluften via kanalsystemet, diffusorerna och ventilgallren. Diffusorer och ventilgaller är monterade i taket eller väggarna i sovrum, vardagsrum, bad och toaletterum etc. Ta bort diffusorerna och ventilgallren och tvätta dem, om så behövs, med varmt såpvatten (de behöver inte bytas ut).

6.8.2 Kontroll av uteluftsintag

Löv och föroreningar kan täppa till luftintagets galler så att aggregatets kapacitet minskar. Kontrollera luftintagets galler och rengör det vid behov. Detta bör göras minst två gånger om året.

6.8.3 Kontroll av takhuv (om sådan finns)

Om en takhuv är monterad och ansluten till frånluftskanalen, behöver den kontrolleras minst två gånger om året och rengöras vid behov.

6.8.4 Kontroll och rengöring av kanalsystemet

Damm och fett kan ansamlas i kanalsystemet även om underhåll och filterbyten utförs regelbundet. Det gör att installationens prestanda försämras.

Därför bör kanalerna rengöras eller bytas ut vid behov. Stålkana kan rengöras genom att man drar en borste indränkt med varmt såpvatten genom dem. Gå in via diffusorernas eller ventilgallrens öppningar, eller, om sådana finns, via de särskilda inspektionsluckorna i kanalsystemet.

Vi rekommenderar att detta görs vart femte år. Vanligtvis utförs arbetet av firmor som är specialiserade på området.

7 Felsökning

Om det uppstår problem bör du alltid kontrollera nedanstående innan du kontaktar en servicetekniker.

Problem	Åtgärd
Fläktarna startar inte.	<ol style="list-style-type: none"> 1. Kontrollera HMI för larm. 2. Kontrollera att alla säkringar och snabbkopplingar är anslutna (matningen för huvudströmmen och snabbkopplingarna för till- och frånluftsfläktarna). 3. Kontrollera att veckoprogrammet är PÅ och körs i AUTOMATISKT läge. Veckoprogrammet kan vara i AV läge med luftflödet satt till AV (kapitel 5.7).
Minskat luftflöde.	<ol style="list-style-type: none"> 1. Kontrollera HMI för larm. Vissa larm kan minska luftflödet till LÅG om de är aktiva. 2. Aggregatet kan vara i avfrostningsläge. Det här minskar fläkthastigheten, och i vissa fall kan det stänga av tilluftsfläkten helt under avfrostningscykeln. Fläktarna återgår till normaldrift när avfrostningen är klar. Det bör finnas en avfrostningsfunktionensikon synlig i appen eller på HMI-hemsidan när avfrostningen är aktiv. 3. Om utomhustemperaturen är under 0°C (Uteluftstempgivare (OAT) mäter < 0°C) så kan luftflödeskompenseringsfunktionen aktiveras (om den är aktiverad att välja). Fläkthastigheten (tillufts- eller tilluft-/frånluftsfläktar) minskar linjärt för att sänka flödet av kall uteluft vid sjunkande utetemperatur. 4. Kontrollera så att tillfälligt användarläge som minskar luftflöde inte är aktiverat, vid till exempel BORTA, SEMESTER, osv. Kontrollera även digitala ingångar CENTRALDAMMSUGARE och spiskåpa. 5. Kontrollera luftflödesinställningen i HMI. 6. Kontrollera veckoprogrammesinställningar (kapitel 5.7). 7. Kontrollera filtren. Behöver filtren bytas ut? 8. Kontrollera don/ventilgaller. Behöver dona/ventilgallrena rengöras? 9. Kontrollera fläktarna och värmeväxlarblocket. Behövs rengöring? 10. Kontrollera om byggnadens luftintag på uteluftsidan eller luftutblås på avluftsidan är igensatta. 11. Kontrollera om de synliga ventilationskanalerna är skadade och om det finns ansamlingar av damm eller smuts i dem. 12. Kontrollera öppningar i don/galler.
Det går inte att styra aggregatet (styrfunktionerna har hakat upp sig).	<ol style="list-style-type: none"> 1. Återställ styrfunktionerna genom att bryta strömförsörjningen och vänta i 10-30 sekunder. 2. Kontrollera den modulära kontaktanslutningen mellan manöverpanelen och huvudstyrkortet.

Problem	Åtgärd
Låg tilluftstemperatur	<ol style="list-style-type: none"> 1. Kontrollera om det visas några larm på displayen. 2. Kontrollera de aktiva användarfunktionerna på HMI-skärmen för att se om Avfrostningsfunktionen är igång. 3. Kontrollera vad tilluftstemperaturen är satt till i HMI. 4. Kontrollera om ECO-läget är aktiverat i HMI (det är en energibesparande funktion och hindrar värmaren från att aktivera). 5. Kontrollera om användarlägena SEMESTER, BORTA eller PARTY aktiveras i HMI eller via en fast ansluten koppling. 6. Kontrollera de analoga ingångarna i servicemenyn för att verifiera att temperaturgivarna fungerar som de ska. 7. Om elektriskt eller annat eftervärmningsbatteri är installerat: kontrollera att överhettningsskyddets termostat fortfarande är aktiv. Återställ den, vid behov, genom att trycka på den röda knappen på framsidan av den elektriska eftervärmarens plåt. 8. Kontrollera om frånluftsfiltret måste bytas. 9. Kontrollera om ett eftervärmningsbatteri är anslutet till aggregatet. Om det är mycket kallt ute kan det vara nödvändigt att ha ett elektriskt- eller vattenvärmebatteri. Ett eftervärmningsbatteri kan införskaffas som tillbehör.
Oljud/vibrationer	<ol style="list-style-type: none"> 1. Rengör fläkthjulen. 2. Kontrollera att skruvarna som håller fast fläktarna är ordentligt åtdragna. 3. Kontrollera att de vibrationsdämpande listerna sitter fast på monteringsfästet och på enhetens baksida. 4. Kontrollera att rotorremmen inte slirar om aggregatet har roterande värmeväxlare.

8 Larm

Tryck på knappen HJÄLP på det aktiva larmet för komma till vanliga frågor och felsökning (om tillgängligt). Tryck ÅTERSTÄLL på det enskilda larmet för att ta bort det. Beroende på typ av larm och orsak, kan det vara nödvändigt att göra en felsökning först, för att återställa eventuella aktiva larm.

Det kan vara så att det inte går att rensa statusen av larmet om orsaken till larmet kvarstår, vilket leder till att larmet omedelbart löser ut igen.

8.1 Larmlista

Larmnamn	Förklaring	GÖR FÖLJANDE
Frysskydd	Frysskydd av returvattentemperaturen i värmeslingan. <ul style="list-style-type: none"> • Larm stoppar aggregatet och öppnar vattenventilen helt. 	Larmet återställs när vattentemperaturen når 13°C. Kontrollera vattnets temperatur i värmeslingan. Kontrollera vattenvärmarens cirkulationspump. Kontakta din montör eller återförsäljare.
Frysskyddstemperaturgivare	Indikerar felfunktion för vattenvärmarens temperaturgivare. <ul style="list-style-type: none"> • Larm stoppar aggregatet. 	Kontrollera att frysskyddstemperaturgivaren är korrekt ansluten och att kabeln inte skadas. Kontakta din montör eller återförsäljare.
Avfrostningsfel	Indikerar fel på förvärmarens förvärmning av inkommande uteluft (ifall den extra regulatorn är konfigurerad som Förvärmare). <ul style="list-style-type: none"> • Larm stoppar aggregatet. 	Kontrollera förvärmarens återställningsknapp. Kontrollera förvärmningskablage. Kontakta din montör eller återförsäljare. Avfrostningsfel kan uppstå på grund av extremt låga uteluftstemperaturer eller fel på förvärmningsbatteri.

Larmnamn	Förklaring	GÖR FÖLJANDE
Tilluftsfläkts varvtal	Rotationsvarvtal för tilluftsfläkten är lägre än det lägsta som krävs. Fläktfelfunktion • Larm stoppar aggregatet.	Kontrollera fläktens snabbkopplingar. Kontakta din montör eller återförsäljare.
Frånluftsfläkts varvtal	Rotationsvarvtal för frånluftsfläkten är lägre än det lägsta som krävs. Fläktfelfunktion • Larm stoppar aggregatet.	Kontrollera fläktens snabbkopplingar. Kontakta din montör eller återförsäljare.
Reglerfel tilluftsfläkt	Flödes- eller trycklarm för tilluftsfläkt Trycket är under tryckgränsen. • Larm stoppar aggregatet.	Kontrollera att luftslangen för tryckgivaren är korrekt ansluten och att kabeln inte har skadats. Kontakta din montör eller återförsäljare.
Reglerfel frånluftsfläkt	Flödes- eller trycklarm för frånluftsfläkt Trycket är under tryckgränsen. • Larm stoppar aggregatet.	Kontrollera att luftslangen för tryckgivaren är korrekt ansluten och att kabeln inte har skadats. Kontakta din montör eller återförsäljare.
Brandlarm	Brandlarmet är aktivt • Larm stoppar aggregatet.	När det externa brandlarmet är inaktiverat - larmet måste återställas och aggregatet startas om.
Katastroftermostat	Indikerar att överhettningsskyddet har utlöst (om elektriskt eftervärmningsbatteri är installerat).	Ett överhettningsskydd med manuell eller automatisk återställning (EMT) utlöser ett larm i kontrollpanelen. Ifall det manuella överhettningsskyddet utlösts, återställs det genom att trycka på återställningsknappen. Ifall det automatiska överhettningsskyddet utlösts, återställs det automatiskt när temperaturen har sjunkit. Kontakta montören eller återförsäljaren om problemet kvarstår.
Bypass-spjäll	Indikerar felaktigheter i bypass-spjället	Koppla från huvudströmbrytaren i 10 sekunder för att återställa styrfunktionen. När aggregatet startas utförs ett automatiskt test av bypass-spjället. Om larmet utlöses igen, efter cirka 2 minuter - Kontakta din montör eller återförsäljare.
Rotorvakt	Indikerar rotorfelfunktion. Ingen rotationsvaktssignal i 180 sekunder.	Om den roterande värmväxlaren har stannat. Kontrollera rotorremmen. Om värmväxlaren fortfarande roterar, kontrollera att snabbkopplingen för givaren är ansluten och att det finns 5–10 mm luftspalt mellan givaren och magneten. Justera spalten, om så behövs. Om larmet kvarstår kan rotorgivaren vara defekt. Kontakta din montör eller återförsäljare.

Larmnamn	Förklaring	GÖR FÖLJANDE
Sekundärluftspjäll	Sekundärluftavfrostning misslyckades. Uteluftstemperaturgivaren mäter < 10°C inom 2 sekunder efter avfrostning ELLER Uteluftstemperaturgivaren mäter < 5°C inom 5 minuter efter avfrostning	Kontrollera om sekundärluftspjället är i korrekt position. Kontrollera att spjället är korrekt anslutet och att kabeln inte skadas. Kontakta din montör eller återförsäljare.
Temperaturgivare för uteluft	Indikerar om utomhustemperaturgivaren har felfunktion.	Kontrollera att givaren är korrekt ansluten och att kabeln inte skadas. Kontakta din montör eller återförsäljare.
Överhettningstemperaturgivare	Indikerar om överhettningstemperaturgivaren har felfunktion.	Kontrollera att givaren är korrekt ansluten och att kabeln inte skadas. Kontakta din montör eller återförsäljare.
Temperaturgivare för tilluft	Indikerar om tilluftstemperaturgivaren har en felfunktion.	Kontrollera att givaren är korrekt ansluten och att kabeln inte skadas. Kontakta din montör eller återförsäljare.
Temperaturgivare för rumsluft	Indikerar om rumsluftsgivare får felfunktion.	Kontrollera att givaren är korrekt ansluten och att kabeln inte skadas. Kontakta din montör eller återförsäljare.
Temperaturgivare för frånluft	Indikerar om frånluftstemperaturgivare får felfunktion.	Kontrollera att givaren är korrekt ansluten och att kabeln inte skadas. Kontakta din montör eller återförsäljare.
Extraregulator temperaturgivare	Indikerar om extraregulatorns temperaturgivare får felfunktion.	Kontrollera att givaren är korrekt ansluten och att kabeln inte skadas. Kontakta din montör eller återförsäljare.
Temperaturgivare, verkningsgrad	Indikerar om Verkningsgradstemperaturgivare får felfunktion.	Kontrollera att givaren är korrekt ansluten och att kabeln inte skadas. Kontakta din montör eller återförsäljare.
PDM RH	Indikerar om den interna luftfuktighetsgivaren får felfunktion. Aktiv: uppmätta luftfuktigheten = 0 % Retur: uppmätta luftfuktigheten > 5%	Kontrollera att givaren är korrekt ansluten och att kabeln inte skadas. Kontakta din montör eller återförsäljare.
PDM RH Frånluftstemperatur ____ °C	Indikerar om den interna frånluftstemperatursgivaren får felfunktion. Aktiv: uppmätt temperatur = 0°C Retur: uppmätt temperatur > 5°C	Kontrollera att givaren är korrekt ansluten och att kabeln inte skadas. Kontakta din montör eller återförsäljare.
Filtervarning	Meddelande, filterbyte.	Filter måste bytas ut inom en månads tid. Vänligen införskaffa nya filter.
Filter	Dags att byta filter.	Byt filter. Byt filtren enligt instruktionerna i användarhandboken. Information om filteråterförsäljare finns i Hjälp-menyn.

Larmnamn	Förklaring	GÖR FÖLJANDE
EXTRAREGULATORLARM	Fel från extern enhet.	Kontrollera om den externa enheten är korrekt ansluten och att kabeln inte skadats. Återställ överhettningsskyddet på elvärmebatteriet. Kontakta din montör eller återförsäljare.
Externt stopp	Aggregatet stoppas via extern signal	Driften stoppas med digital signal från extern fjärransluten enhet eller signal från BMS-systemet.
Fläktstopp aktivt	Drift stoppas, fläktar är i manuellt läge och valda att vara AV.	Välj en annan fläkthastighet (LÅGT / NORMALT / HÖGT) eller AUTO -läge i HMI startläget.
Överhettningstemperatur	Temperatur efter eftervärmaren är högre än max tillåten temperatur. Aktiv: (Överhettningstemperaturgivare mäter > 55°C) Återgången (Överhettningstemperaturgivare mäter < 50°C)	Larm är möjligt om tilluftsflöde är för lågt när eftervärmaren slås på. Kontrollera tilluftsflödet Kontrollera att intagsgaller inte är blockerat. Kontrollera att avstängningsspjället för uteluften är öppen i drift. Kontakta din montör eller återförsäljare.
Låg tilluftstemperatur	Tilluftstemperaturen är för låg. Aktiv: (Uteluftstemperaturgivare mäter < 0°C) OCH (tilluftstemperaturgivare mäter < 5°C) Återgången (Tilluftstemperaturgivare mäter > 10°C)	Kontrollera värmeväxlaren och eftervärmare eller hänvisa till punkt 2 i "Felsökning"-menyn.
CO ₂	Extern CO ₂ Givarfelfunktion.	Kontrollera att givaren är korrekt ansluten och att kabeln inte skadas. Vid givare trådlös - kontrollera RS485-gateway status och givare status i HMI. Kontakta din montör eller återförsäljare.
RH	Felfunktion på extern givare för relativ luftfuktighet.	Kontrollera att givaren är korrekt ansluten och att kabeln inte skadas. Vid givare trådlös - kontrollera RS485-gateway status och givare status i HMI. Kontakta din montör eller återförsäljare.
Utgång i manuellt läge	En eller flera av analoga utgångar är i manuellt läge.	Kontrollera servicemenyn för utgångsinställningar och kontrollera att alla konfigurerade utgångar är i automatiskt läge. Om alla utgångar är i manuellt läge, ändra tillbaka till Auto-läge.

Larm Brandlarm kan aktiveras bara med en digital signal från rök-/branddetekteringssystem eller liknande. Digital ingång måste var konfigurerad som Brandlarm för att larmen skall fungera.

Digital utgång konfigurerad som Summalarm skickar en allmän signal varje gång larmet aktiveras, med undantag för larm Externt stopp, Utgång i manuellt läge och Manuellt fläktstopp. Typ av larm indikeras inte av den här signalen.

© Copyright Systemair UAB

Alle Rechte vorbehalten

E&OE

Systemair UAB behält sich das Recht vor, ihre Produkte ohne vorherige Ankündigung zu ändern.

Dies gilt auch für bereits bestellte Produkte, sofern die vorher vereinbarten Spezifikationen nicht beeinflusst werden.

Inhaltsverzeichnis

1	Entsorgung und Recycling	49		
2	Warnhinweise	49		
3	Typenschild.....	49		
4	Einleitung	50		
5	Konfiguration	50		
	5.1 Allgemeines.....	50		
	5.2 Startup-Assistent	50		
	5.3 Allgemeine Symbole	51		
	5.4 Menü-Übersicht.....	51		
	5.5 Startbildschirm.....	52		
	5.5.1 Benutzermodi.....	52		
	5.5.2 Temperatureinstellun- gen	55		
	5.5.3 Luftstromeinstellungen.....	55		
	5.5.4 Luftqualität (IAQ).....	56		
	5.5.5 Statuszeile.....	56		
	5.6 Beschreibung der Benutzer Funktion Symbole.....	56		
	5.7 Wochenprogramm.....	57		
	5.7.1 Planen Sie die Luftstromeinstellungen.....	57		
	5.7.2 Zeitplan bearbeiten	58		
6	Wartung des Geräts	58		
	6.1 Warnhinweise	58		
	6.2 Vordere Abdeckung entfernen / anbauen.....	59		
	6.3 Auswechseln der Filter	59		
	6.3.1 Zurücksetzen der Filterzeit.....	59		
	6.4 Überprüfen und Reinigen des Wärmetauschers.....	60		
	6.5 Reinigen der Ventilatoren.....	60		
	6.6 Austausch der Rotor- Antriebsriemens	61		
	6.7 Rückstelltaste Überhitzungsschutz	62		
	6.8 Wartung des Kanalsystems.....	62		
	6.8.1 Reinigen der Abluftventile und Luftauslässe.....	62		
	6.8.2 Überprüfen des Außenlufteinlasses	62		
	6.8.3 Überprüfung der Dachhaube (sofern vorgesehen)	62		
	6.8.4 Überprüfen und Reinigen des Kanalsystems.....	62		
7	Fehlersuche	62		
8	Alarmer.....	64		
	8.1 Alarmliste.....	64		

1 Entsorgung und Recycling



Dieses Produkt entspricht der WEEE-Richtlinie. Bei der Entsorgung des Gerätes befolgen Sie die örtlichen Regelungen und Vorschriften. Das Verpackungsmaterial dieses Produkts ist recyclingfähig und kann wiederverwendet werden. Nicht mit dem Hausmüll entsorgen.



2 Warnhinweise



Gefahr

- Achten Sie darauf, dass die Netzstromversorgung des Gerätes getrennt ist, bevor Sie Wartungsarbeiten oder elektrische Arbeiten ausführen!
- Alle elektrischen Anschlüsse und Wartungsarbeiten dürfen nur von einer Elektrofachkraft ausgeführt werden und haben den örtlichen Regeln und Vorschriften zu entsprechen.



Warnung

- Dieses Produkt darf nur von einer Person betrieben werden, die über geeignete Kenntnisse oder Schulungen in diesem Bereich verfügt oder unter der Aufsicht einer entsprechend qualifizierten Person.
- Achten Sie während der Montage- und Wartungsarbeiten auf scharfe Kanten. Tragen Sie Schutzhandschuhe.



Warnung

- Obwohl die Netzversorgung des Gerätes abgetrennt ist, besteht immer noch Verletzungsgefahr durch rotierende Teile, die nicht ganz zum Stillstand gekommen sind.

Wichtig

- Die Installation des Gerätes und des gesamten Lüftungssystems darf nur von einer Elektrofachkraft durchgeführt werden und hat den örtlichen Regeln und Vorschriften zu entsprechen.
- Das System sollte kontinuierlich arbeiten und nur bei Wartung/Service angehalten werden.
- Schließen Sie keine Wäschetrockner an das Lüftungssystem an
- Kanalanschlüsse/Kanalenden müssen während der Lagerung und Installation abgedeckt werden.
- Vergewissern Sie sich vor dem Starten des Gerätes, dass die Filter eingebaut sind.

3 Typenschild

Bitte notieren Sie sich die Spezifikations- und Fertigungsnummer vom Typenschild, das sich an der Seite des Gerätes neben den externen Anschlüssen befindet, bevor Sie den Kundendienst anrufen.

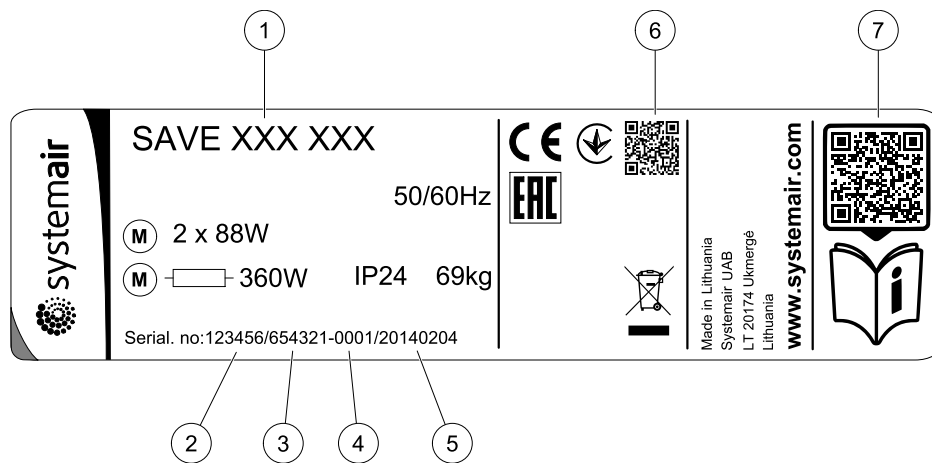


Bild 1 Typenschild

Position	Beschreibung
1	Fertigungskode (Produktspezifikation)
2	Artikelnummer des Produkts
3	Fertigungsauftragsnummer
4	Seriennummer
5	Produktionsdatum (TT.MM.JJ)
6	QR-Code für Fertigungsauftragsnummer und Softwareversion
7	QR-Code für die Ersatzteilliste und Dokumentation

4 Einleitung

Das SAVE VTR 150/B ist eine Lüftungsgerät mit Wärmerückgewinnung mit einem eingebauten, leistungsstarken Rotationswärmetauscher. DasSAVE VTR 150/B ist für kleinere Wohnungen oder Häuser geeignet. Es dient zur Versorgung von Wohnbereichen mit gefilterter Außenluft und zum Absaugen der Luft aus Bad, Küche und Nassräumen.

Es gibt zwei Modelloptionen, ein rechtsseitiges (R) und ein linksseitiges (L) Modell. Beide Modelle verfügen über ein installiertes Nachheizregister mit 500 W oder 1000 W . Die verschiedenen Modelle sind anhand der Positionierung der internen Komponenten erkennbar. Dieses Handbuch beschreibt grundlegende Informationen über den Betrieb und die Durchführung von Wartungsarbeiten an einem linksseitigen (L) Gerät und das System, an das es angeschlossen ist.



Hinweis!

Dieses Dokument beschreibt ein linksseitiges (L)-Modell. Das Innenleben eines rechtsseitigen (R)-Modells ist entsprechend spiegelverkehrt.

5 Konfiguration

5.1 Allgemeines

SAVE VTR 150/B beinhaltet eine moderne Bedieneinheit mit LCD Touchscreen, auch bekannt als HMI - Human Machine Interface. Über die Bedieneinheit sind alle aktuellen Werte des Lüftungsgerätes ersichtlich und ermöglicht den Zugriff auf alle Systemfunktionen.

Die Einstellungen werden durch Berühren der Symbole oder Optionen vorgenommen. Der Touchscreen ist empfindlich und es ist nicht nötig, zu hart zu drücken.

5.2 Startup-Assistent

Beim ersten Einschalten des Gerätes werden Sie aufgefordert,

- Menüsprache
- Zeit und Datum
- Konfigurationsdatei importieren (wenn das Internet-Zugangsmodule (IAM) mit Konfigurationsdatei verfügbar ist)
- Luftstromregelung Typ (Manual/RPM (UPM)) Und Luftstrompegelwerte

- Heizgerät (Keine/Elektrisch/Wasser/Umschaltung)

Der Startup-Assistent kann nicht übersprungen werden.

5.3 Allgemeine Symbole

Die folgenden Auswahlssymbole sind üblich und in den meisten Menüseiten vorhanden:



Zurück-Taste, um zu einem vorherigen Menü zurückzukehren, das sich in der oberen linken Ecke befindet



Pfeil nach oben, um einen Wert zu erhöhen



Pfeil nach unten, um einen Wert zu verringern



Ein und Aus Schieberegler zum Aktivieren oder Deaktivieren einer Funktion. Weiße Blasen - Funktion ist inaktiv, grüne Blasen - Funktion ist aktiv.

Abbrechen

Schaltfläche zum Abbrechen von Änderungen

Bestätigen/OK

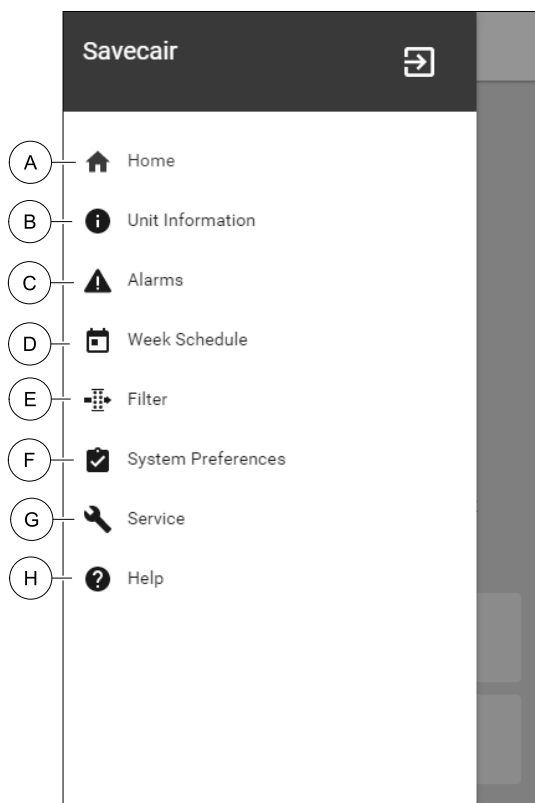
Schaltflächen zum Bestätigen von Änderungen

Einige Menüs haben mehr als eine Seite. Berühren Sie die Seitenanzeige in der oberen rechten Ecke, um zur nächsten Seite zu gelangen. Die erste Zahl gibt die aktuelle Seitenzahl und die zweite Zahl die Gesamtzahl der verfügbaren Seiten an.

Viele Optionen erscheinen in Form des Pop-up-Fensters. Wählen Sie die Option aus der angezeigten Liste im Pop-up-Fenster und Pres aus **OK**, Um die Auswahl zu bestätigen.

5.4 Menü-Übersicht

- A. Rückkehr zum Heimbildschirm
- B. Grundlegende schreibgeschützte Informationen über die Einheit
- C. Aktuell aktive Alarmer und Alarmverlauf
- D. Konfigurieren und Prüfen des Wochenplans
- E. Überprüfen und ändern Sie die verbleibende Zeit bis zum Filterwechsel
- F. Allgemeine Systemvorgaben
- G. Konfiguration aller Systemparameter
- H. Hilfe und Fehlerbehebung Menü

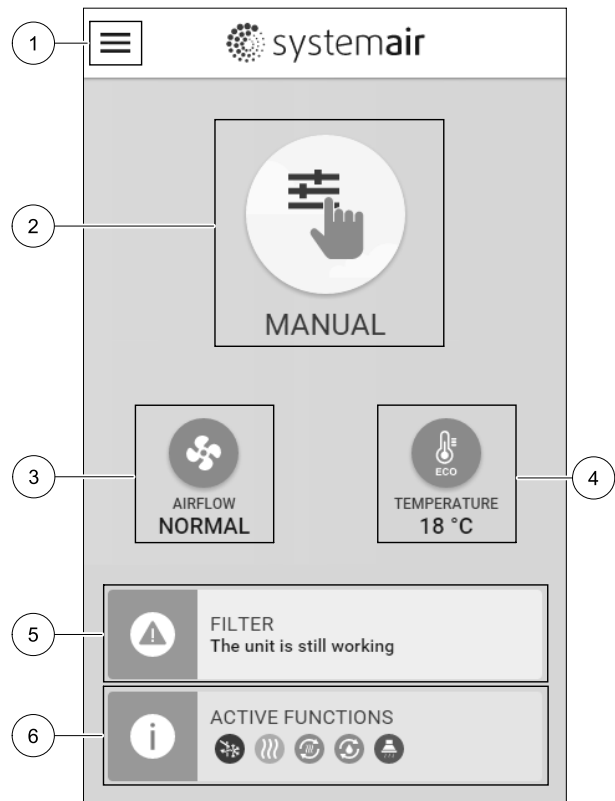


5.5 Startbildschirm



Berühren home Symbol (pos. A) in der Drop-down-Menüliste (Pos. 1) kehrt nach der Inbetriebnahme immer wieder zum Startbildschirm zurück.

1. Drop-down-Menü Liste
2. Aktive Benutzer Modus
3. Luftstromeinstellungen
4. Temperatureinstellungen
5. Liste der aktiven Alarme
6. Icon-Liste der aktiven Benutzerfunktionen



5.5.1 Benutzermodi

Das erste Symbol am Anfang des Startbildschirms zeigt den momentan aktiven Benutzermodus an. Um den Benutzermodus zu ändern, berühren Sie das Symbol für den aktiven Benutzermodus (Pos. 2) und wähle einen neuen Benutzermodus aus der Liste aus. Die Einheit verfügt über 2 permanente und 5 temporäre User-Modi zur Auswahl. Es kann immer nur ein Modus aktiv sein.

Die Einstellungen aller Modi können im *service / Konfiguration*-Menü geändert werden.

5.5.1.1 Permanente Modi

Permanent-Modi sind immer aktiv, wenn nicht durch temporäre Modi, aktivierte Benutzerfunktionen oder Alarme unterbrochen werden:

Symbol	Text	Beschreibung
	AUTO	Automatische Luftstromregelung. Der AUTO -Modus steht zur Auswahl, wenn die Bedarfssteuerung, Wochenprogramm und / oder externe Lüftersteuerungsfunktionen konfiguriert sind. Andernfalls ist das AUTO -Modus-Symbol im aktiven Benutzermodi-Menü nicht sichtbar. Der AUTO -Modus aktiviert die Bedarfssteuerung, Wochenprogramm und / oder externe Lüftersteuerung. Die Bedarf ist verfügbar, um als Luftströmungseinstellung im Wochenprogramm zu wählen.
	MANUELL	Manuelle Auswahl der Luftmengen. Die Einheit kann mit einer von vier verfügbaren Luftstromgeschwindigkeiten betrieben werden: Aus/Niedrig/Normal/Hoch.
	Hinweis!	Auf Aus der Lüfter kann durch Aktivieren der Manueller Ventilatorenstopp-Funktion im <i>Service / Konfiguration</i> -Menü gestellt werden.

5.5.1.2 Temporäre Betriebsarten

Temporäre Modi sind nur für eine festgelegte Zeitspanne aktiv, wenn sie nicht durch aktive Benutzermodi, aktivierte Benutzerfunktionen oder Alarme unterbrochen werden:

Symbol	Text	Beschreibung
	URLAUB	Einstellung der Betriebsstufe von Zu- und Abluftventilator für die Anwenderfunktion Urlaub. Bei längerer Abwesenheit kann diese auf niedrige eingestellt werden. Dabei ist zu beachten, das die hinterlegte Luftmenge den Feuchteschutz nicht unterschreitet. Der ECO-Modus ist weiterhin aktiv. Aktiver Zeitraum einstellbar in Tagen.
	PARTY	Einstellung der Betriebsstufe von Zu- und Abluftventilator für die Anwenderfunktion Party. Diese kann auf hoch eingestellt werden um bei erhöhter Personenzahl den Luftwechsel anzupassen. Zusätzlich kann der Sollwert der Temperatur um ein definierbaren Offset z.B. -3K reduziert werden. Standardtemperatur Sollwert Offset -3 K. Aktiver Zeitraum einstellbar in Stunden.
	ABWESEND	Einstellung der Betriebsstufe von Zu- und Abluftventilator für die Anwenderfunktion Abwesend. Bei kürzerer Abwesenheit kann diese auf NIEDRIG eingestellt werden. Der ECO-Modus ist weiterhin aktiv. Aktiver Zeitraum einstellbar in Stunden.
	STOßLÜFTUNG	Einstellung der Betriebsstufe von Zu- und Abluftventilator für die Anwenderfunktion Stoßlüftung. Diese kann auf hoch eingestellt werden um einen schnellen Luftaustausch zu erzielen. Aktiver Zeitraum einstellbar in Minuten.
	KAMINOFEN	Einstellung der Betriebsstufe von Zu- und Abluftventilator für die Anwenderfunktion Kaminofen. Diese kann z.B. für den Zuluftventilator auf HOCH und den Abluftventilator auf NIEDRIG eingestellt werden. Dementsprechend wird mit einem Überdruck die Rauchabfuhr des Kaminofens über den Schornstein erleichtert. Aktiver Zeitraum einstellbar in Minuten.





Die Einstellungen aller Modi können im **Service / Konfiguration**-Menü geändert werden.



Temporäre Modi und Funktionen aktiv sind nur für einen bestimmten Zeitraum Zeit, nach der Beendigung und wechselt das Gerät wieder in einer ehemaligen **AUTO** oder im **MANUELL** Modus (je nachdem, welche war aktiv, bevor temporäre Modus oder Benutzer Funktion aktiviert wurde).

Temporäre Modi können auch über ein digitales Eingangssignal aktiviert werden, das durch Taster, Präsenzmelder usw. ausgelöst wird.

5.5.1.3 Digitale Eingangsfunktionen

Digitale Eingangsfunktionen sind immer aktiv, während der Digitaleingang aktiviert ist.

Symbol	Text	Beschreibung
	Zentralstaubsauger	Funktion setzt Geschwindigkeit des Zuluftventilators auf hoch Niveau und entlüftungsventilator zum niedrig Niveau, um Luftdruck innerhalb der Wohnung für bessere Staubansammlung durch zentralen Staubsauger zu erhöhen. Funktion kann über Digitaleingang aktiviert werden- Zentralstaubsauger aktiv.
	Dunstabzugshaube	Stellt die Drehzahl des Zu- und Abluftventilators auf Maximum Niveau ein, um den Luftstrom in der Dunstabzugshaube zu erhöhen. Die Funktion kann über den Digitaleingang aktiviert werden - Dunstabzugshaube aktiv.
	Konfigurierbarer Digitaleingang 1	Konfigurierbarer Digitaleingang für benutzerdefinierte Benutzerfunktionen. Die Luftmengen für beide Ventilatoren sind frei konfigurierbar. Funktion mit hoher Priorität.
	Konfigurierbarer Digitaleingang 2	Konfigurierbarer Digitaleingang für benutzerdefinierte Benutzerfunktionen. Die Luftmengen für beide Ventilatoren sind frei konfigurierbar. Funktion mit mittlerer Priorität.

Symbol	Text	Beschreibung
	Konfigurierbarer Digitaleingang 3	Konfigurierbarer Digitaleingang für benutzerdefinierte Benutzerfunktionen. Die Luftmengen für beide Ventilatoren sind frei konfigurierbar. Funktion mit niedriger Priorität.
	Druckwächter	Konfigurierbarer Digitaleingang für den Anschluss eines Druckschalters. Die Luftmengen für beide Ventilatoren sind frei konfigurierbar.

5.5.1.3.1 Konfigurierbare Digitale Eingänge

Eine benutzerdefinierte LuftstromEinstellung für Zu- und Abluftventilatoren kann eingestellt und einem Digitaleingang zugewiesen werden. Jeder Ventilator kann eine andere LuftstromEinstellung haben.

Der konfigurierbare Digitaleingang kann über ein Signal aktiviert werden, das durch einen Taster, Präsenzmelder oder ein anderes externes Gerät mit Digitalausgang ausgelöst wird, wie z.B. die Gebäudeleittechnik (GLT).

Konfigurierbare digitale Eingänge sind in Prioritätsstufen zusammengefasst, Konfigurierbarer Digitaleingang 1 als höchste Priorität kann nicht durch andere Benutzerfunktionen überschrieben werden.

5.5.1.4 Digitaleingabe und Modushierarchie

Benutzermodi und Funktionen haben eine andere Hierarchie. Benutzerfunktionen, die über HMI oder mobile APP aktiviert werden, wie zB Abwesend, Party, Kaminofen, Urlaub und Stoßlüftung, werden durch manuelle Auswahl der AUTO and MANUELL-Lüftermodi unterbrochen.

EIN Kaminofen Funktion hat die höchste Priorität zwischen Benutzerfunktionen. Andere Funktionen, die über HMI / APP aktiviert werden, können sich gegenseitig unterbrechen.

Wenn der Kaminofen-Funktion auf der Anschlussplatte fest verdrahtet und als Digitaleingang (DI) konfiguriert ist, hat sie eine höhere Priorität als der AUTO- und MANUELL-Modus. Der digitale Eingang für ein Kaminofen-Funktion hat auch eine höhere Priorität als andere festverdrahtete Digitaleingänge (DI) für: Abwesend, Zentralstaubsauger, Dunstabzugshaube, Party, Urlaub oder Stoßlüftung.

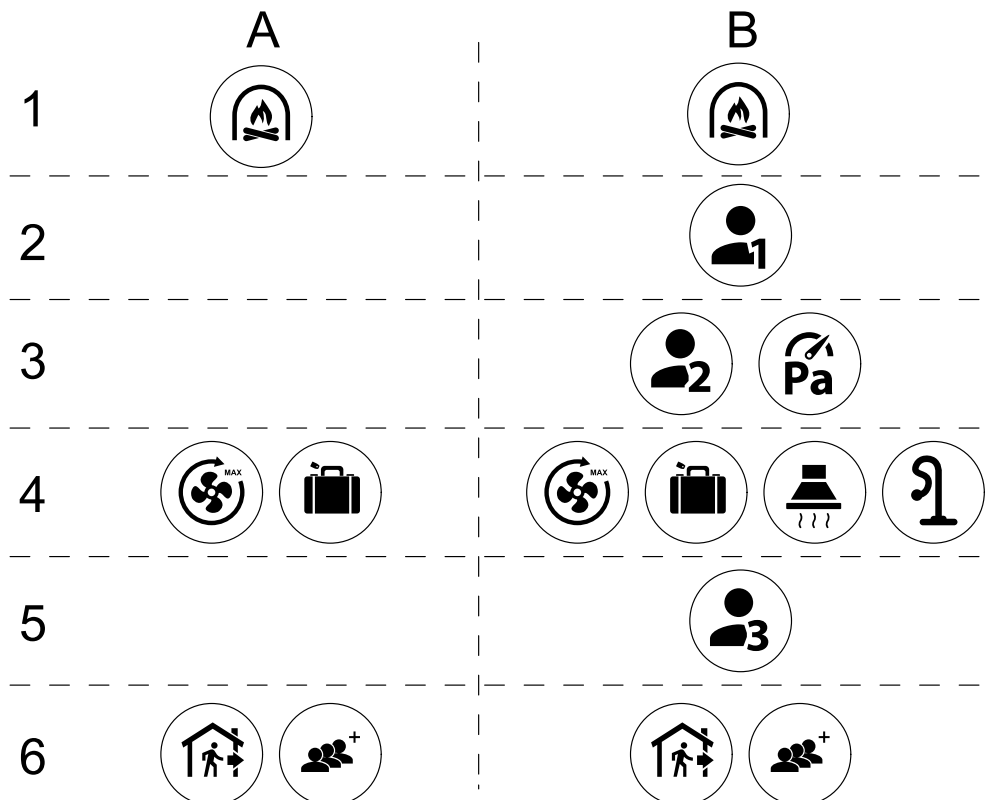


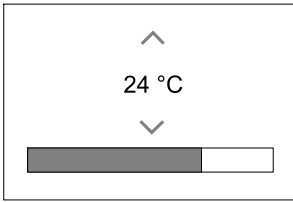
Bild 2 Hierarchie der Benutzermodi und digitalen Eingänge

Die Modi werden von der höchsten bis zur niedrigsten Priorität aufgelistet; A - Benutzermodi, die über das Bedienfeld aktiviert werden können; B - Benutzermodi und Funktionen, die über den Digitaleingang aktiviert werden.

5.5.2 Temperatureinstellungen



Die Temperatur kann im Menü **Temperatur einstellen** auf dem Home-Bildschirm eingestellt werden, indem das **TEMPERATURE**-Symbol mit dem **Temperatur**-Symbol berührt wird. Der Standardtemperaturwert ist 18° C (Bereich 12-30 ° C).



Verwenden Sie die Pfeiltasten nach oben und nach unten oder einen Schieberegler, um den Wert zu ändern.

Mit **OK** werden die Änderungen bestätigt.

Temperatur den Sollwert für die Lufttemperatur im Raum, Zulufttemperatur oder für Ablufttemperatur je nachdem, welche Bedienmodus) aktiv ist. Voreinstellung ist **Zulufttemperaturregelung**.

Der Steuerungsmodus der Temperatur kann im **Service / Konfiguration**-menü geändert werden.

5.5.2.1 ECO-Modus



ECO-Modus ist eine Energiesparfunktion, die im Menü **Temperatur einstellen** aktiviert werden kann.

Die Funktion **ECO-Modus** ist nur verfügbar, wenn eine Nachheizregister installiert und in der Regelung aktiviert wurde.

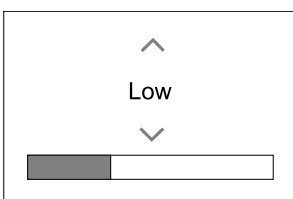
Während der **ECO-Modus** aktiv ist, wird ein Temperatursollwert, bei dem die Heizung aktiviert wird, verringert, um eine Aktivierung des Heizgerätes während der kalten Nacht zu vermeiden.

Wenn die Temperatur sehr niedrig ist und die Heizung nachts (auch bei abgesenktem Temperatursollwert) aktiviert wird, wird während der anstehenden Tageszeit die Innentemperatur mit dem Wärmetauscher erhöht, so dass die akkumulierte Wärme während der nächsten kalten Nachtzeit verwendet werden kann. Abgesenktes Sollwert für die Heizung bleibt.

ECO -Modus hat Auswirkungen auf die folgenden Benutzerfunktionen / Modi, wenn ausgewählt:	Der ECO-Modus wird immer durch folgende Modi aktiviert:
<ul style="list-style-type: none"> • AUTO-Modus • MANUELL Modus • Abwesend Modus • Urlaub Modus • Zentralstaubsauger Funktion • Dunstabzugshaube Funktion • Kaminofen Modus 	<ul style="list-style-type: none"> • Abwesend Modus • Urlaub Modus

5.5.3 Luftstromeinstellungen

Die Luftstromeinstellungen sind nur im **MANUELL**-Modus verfügbar. Klicken Sie auf das Fan-Symbol auf dem Hauptbildschirm, um das Menü **Luftvolumenstrom einstellen** aufzurufen.



Verwenden Sie nach oben und nach unten Pfeile oder einen Schieberegler, um den Luftstromwert zu ändern.

Der Luftstrom kann in diesen Schritten eingestellt werden: *Aus/Niedrig/Normal/Hoch*. Diese Einstellungen steuern die Ausgangssignale an die Versorgungs- und Entlüftungsventilatoren.

Wichtig

Es wird **nicht** empfohlen, den Ventilator in Standardhaushalten *Aus*-zuschalten. Wenn der manuelle Lüfterstopp aktiviert ist, sollte das Gerät mit Dämpfern in Abgas- und Frischluftkanälen versehen werden, um kaltes Zugluft- und Kondensationsrisiko zu vermeiden, wenn das Gerät gestoppt wurde. Der Lüfter kann durch Aktivieren der *Manueller Ventilatorenstoppfunktion* im *Service / Konfiguration*-Menü auf *Aus* gesetzt werden.

5.5.4 Luftqualität (IAQ)



Die Einheit steuert automatisch die Raumfeuchtigkeit und / oder CO₂ Durch Einstellen der Luftstromereinstellung. Der Luftstrom wird erhöht, wenn die Luftqualität abnimmt.

Bedarfssteuerung-Funktion ist verantwortlich für IAQ (Innenluftqualität) Regulierung. Relative Luftfeuchtigkeit (RL) und/oder CO₂ Sensoren sind für die IAQ-Überwachung verantwortlich.

Innenluftqualität (IAQ) -Anzeige ist verfügbar, wenn *AUTO*-Modus und *Bedarfssteuerung*-Funktion aktiviert ist.

IAQ Ebenen:

- *sehr gut*: Der tatsächliche IAQ-Wert liegt unter dem niedrigen IAQ-Sollwert.
- *gut*: Der tatsächliche IAQ-Wert liegt zwischen niedrigen und hohen IAQ-Grenzwerten.
- *optimierbar*: Der tatsächliche IAQ-Wert liegt über dem hohen IAQ-Sollwert.

Für die *optimierbar* und *gut* IAQ-Stufen können im *Service / Konfiguration* menü verschiedene Luftstromereinstellungen eingestellt werden.

Sollwert für relative Feuchte und CO₂ Ebene kann im *Service / Konfiguration*-Menü eingestellt werden.

5.5.5 Statuszeile

Die Statuszeile, die sich im unteren Bereich des Startbildschirms befindet, zeigt Informationen über:



Liste der aktiven Alarme. Sehen Sie Kapitel 8.1 für weitere Informationen.



Liste der aktiven Benutzer Funktionen. Sehen Sie Kapitel 5.6 für weitere Informationen.

Wenn Sie irgendwelche dieser Zeilen berühren, werden Sie auf die nächste Seite mit detaillierterer Liste und Informationen über jeden Alarm oder eine aktive Benutzerfunktion verschoben.

5.6 Beschreibung der Benutzer Funktion Symbole

Symbol	Text	Beschreibung
	Erhitzer	Verbundene Heizung oder Vorwärmer ist aktiv und Luftheizung ist in Bearbeitung.
	Wärmerückgewinnung	Wärmerückgewinnung aus der Wohnung ist aktiv.
	Kühlung	Der angeschlossene Kühler ist aktiv und die Luftkühlung ist in Bearbeitung.
	Kälterückgewinnung	Die automatische Kühlwiederherstellung ist aktiv, wenn die Ablufttemperatur von der Wohnung niedriger als die Außenlufttemperatur ist und es einen Kühlbedarf gibt (der Temperatursollwert ist niedriger als die Außenlufttemperatur). Wenn die Außenlufttemperatur höher ist als dann die Raumlufttemperatur und es gibt einen Heizbedarf, Funktion <i>Free heating</i> wird stattdessen aktiviert.

Symbol	Text	Beschreibung
	Freie Kühlung	Funktion verringert die Raumlufttemperatur, indem sie nur kühle Außenluft während der Nacht benutzt, um Energieverbrauch zu sparen.
	Regelung der Feuchteübertragung	Funktion steuert die Drehzahl des Wärmetauschers, um eine Feuchtigkeitsübertragung zu verhindern, um Luft durch hohe relative Feuchtigkeit in der Abluft zuzuführen. Funktion ist nur für Geräte mit Rotationswärmeübertrager-Wärmetauscher verfügbar.
	Abtauung	Funktion verhindert die Bildung des Eises auf dem Wärmetauscher bei kalten Außentemperaturen.
	Sekundärluft	Warmluft aus dem Wohnraum wird verwendet, um den Wärmetauscher mit einem Dämpfer im Außenluftkanal abzutauen. Die Einheit schaltet von Außenluft auf Sekundärluft, während der Abluftventilator stoppt und die Warmhalteluft erhöht die Temperatur im Wärmetauscher.
	Zentralstaubsauger	Funktion setzt Geschwindigkeit des Zuluftventilators auf Hoch Niveau und entlüftungsventilator zum Niedrig Niveau, um Luftdruck innerhalb der Wohnung für bessere Staubansammlung durch zentralen Staubsauger zu erhöhen. Funktion kann über Digitaleingang aktiviert werden- Zentralstaubsauger aktiv. Immer aktiv, während der digitale Eingang aktiviert ist.
	Dunstabzugshaube	Stellt die Drehzahl des Zu- und Abluftventilators auf Maximum Niveau ein, um den Luftstrom in der Dunstabzugshaube zu erhöhen. Die Funktion kann über den Digitaleingang aktiviert werden - Dunstabzugshaube aktiv.
	Benutzersperre	Funktion zeigt an, dass das System mit einem Passwort gesperrt ist und nicht bearbeitet werden kann oder Einstellungen in irgendeiner Weise geändert werden. Das System muss zuerst entriegelt werden, um Änderungen vorzunehmen.
	Konfigurierbarer Digitaleingang 1	Konfigurierbarer Digitaleingang für benutzerdefinierte Benutzerfunktionen. Die Luftmengen für beide Ventilatoren sind frei konfigurierbar. Funktion mit hoher Priorität.
	Konfigurierbarer Digitaleingang 2	Konfigurierbarer Digitaleingang für benutzerdefinierte Benutzerfunktionen. Die Luftmengen für beide Ventilatoren sind frei konfigurierbar. Funktion mit mittlerer Priorität.
	Konfigurierbarer Digitaleingang 3	Konfigurierbarer Digitaleingang für benutzerdefinierte Benutzerfunktionen. Die Luftmengen für beide Ventilatoren sind frei konfigurierbar. Funktion mit niedriger Priorität.
	Druckwächter	Konfigurierbarer Digitaler Eingang für Druckwächter Die Luftmengen für beide Ventilatoren sind frei konfigurierbar.

5.7 Wochenprogramm



Das Gerät kann so konfiguriert werden, dass es bei festgelegten Luftmengen bis zu zwei Zeitperioden (00: 00-23: 59) an benutzerdefinierten Tagen arbeitet.
Wochenprogramm ist nur aktiv bei der AUTO Modus.

5.7.1 Planen Sie die Luftstromeinstellungen

Tippen Sie auf das Symbol Einstellungen, um zum Menü Luftvolumenstromereinstellungen bearbeiten zu gelangen. In diesem Menü wird der Luftstrom für geplante und außerplanmäßige Zeiträume eingestellt. Verfügbaren Ebenen: Aus, Niedrig, Normal, Hoch oder Bedarf.
Stellen Sie den Temperatursollwert für beide Perioden ein (-10°C - 0°C).



Die Bedarf ist nur verfügbar, wenn die Bedarfssteuerung oder die externe Ansteuerung Lüfterfunktion aktiv ist.

5.7.2 Zeitplan bearbeiten

- Tippen Sie auf das Symbol in der unteren linken Ecke des Bildschirms, um einen neuen Zeitplan hinzuzufügen, oder drücken Sie die **Bearbeiten**-Taste, um den bereits hinzugefügten Zeitplan zu ändern.

So konfigurieren Sie den Zeitplan:

1. Stellen Sie die Zeit ein. Berühren Sie die **Startzeit**- oder **Endzeit**-Werte, um die Zeit zu ändern. Verwenden Sie Pfeiltasten **▲** und **▼** Den Wert erhöhen oder verringern. Bestätigen Sie mit der **OK**-Taste.



Hinweis!

Geplante Zeit kann beginnen, aber nie enden um Mitternacht (00:00). Die letzte **Endzeit** Periode ist 23:59. Geplante Zeit kann nicht zum nächsten Tag gehen.

Das 12 oder 24 Stunden Zeitformat kann im Menü **Systemeinstellungen** geändert werden.

Gegebenenfalls den zweiten geplanten Zeitraum aktivieren und die Zeit einstellen.

2. Sobald die Zeit eingestellt ist, klicken Sie auf den Tag (en), wenn der Zeitplan aktiv sein soll. Es ist möglich, für jeden Tag einen separaten Zeitplan festzulegen.

Bereits geplante Tage stehen für neue Zeitpläne nicht zur Auswahl.

3. Termin mit **OK** bestätigen.

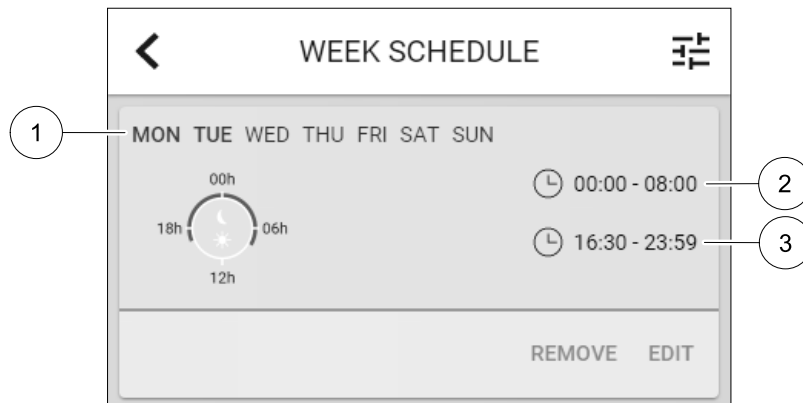


Bild 3 Wochenplan Beispiel

Geplante Tage werden hervorgehoben (Pos. 1). Erste Zeitdauer (Pos. 2) und die zweite Zeitraum (Pos. 3) sind auf der rechten Seite jedes Zeitplans dargestellt.

6 Wartung des Geräts

Die Wartung von SAVE VTR 150/B sollte normalerweise 3-4 Mal pro Jahr durchgeführt werden.

6.1 Warnhinweise



Gefahr

- Achten Sie darauf, dass die Netzstromversorgung des Geräts getrennt ist, bevor Sie Wartungsarbeiten oder elektrische Arbeiten ausführen!
- Alle elektrischen Anschlüsse und Wartungsarbeiten dürfen nur von einer Elektrofachkraft ausgeführt werden und haben den örtlichen Regeln und Vorschriften zu entsprechen.



Warnung

- Dieses Produkt darf nur von einer Person betrieben werden, die über geeignete Kenntnisse oder Schulungen in diesem Bereich verfügt oder unter der Aufsicht einer entsprechend qualifizierten Person.
- Achten Sie während der Montage- und Wartungsarbeiten auf scharfe Kanten. Tragen Sie Schutzhandschuhe.



Warnung

- Obwohl die Netzversorgung des Gerätes abgetrennt ist, besteht immer noch Verletzungsgefahr durch rotierende Teile, die nicht ganz zum Stillstand gekommen sind.

Wichtig

- Die Installation des Geräts und des gesamten Lüftungssystems darf nur von einer Elektrofachkraft durchgeführt werden und hat den örtlichen Regeln und Vorschriften zu entsprechen.
- Das System sollte kontinuierlich arbeiten und nur bei Wartung/Service angehalten werden.
- Schließen Sie keine Wäschetrockner an das Lüftungssystem an
- Kanalanschlüsse/Kanalenden müssen während der Lagerung und Installation abgedeckt werden.
- Vergewissern Sie sich vor dem Starten des Geräts, dass die Filter eingebaut sind.

6.2 Vordere Abdeckung entfernen / anbauen

Die vordere Abdeckung ist mit vier Schrauben befestigt. Die Schrauben lösen und die innere Abdeckung zum Körper hin abziehen.

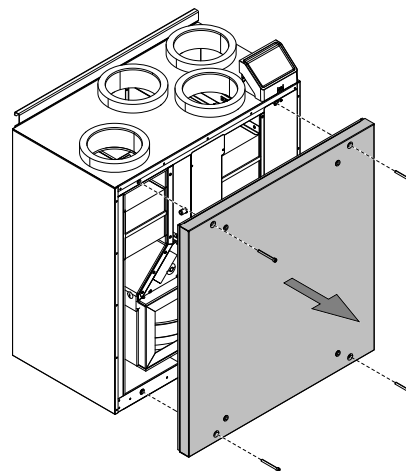


Bild 11 Innere Abdeckung entfernen / befestigen

6.3 Auswechseln der Filter



Gefahr

Vergewissern Sie sich, dass das Gerät von der Stromversorgung getrennt ist, bevor Sie Wartungs- oder Elektroarbeiten durchführen!

Die Filter sollten alle 3-15 Monate gewechselt werden, der Standardwert ist 12 Monate. Wenn die Filter gewechselt wurden, wird die Zeitschaltuhr des Filters automatisch nach Bestätigung des Alarms zurückgesetzt.

Die werkseitig eingebauten Filter entsprechen für den Zuluftfilter der Filterqualität M5/ePM10 50% und für den Abluftfilter der Filterqualität M5/ePM10 50%. Die Filter müssen bei Verschmutzung ausgetauscht werden. Neue Filtersätze können Sie bei Ihrem Installateur oder Großhändler erwerben.

Für die Filterung der Zuluft kann Filterqualität F7 / ePM1 60% installiert werden.

Der Filtertyp ist auf der Oberseite des Filters angegeben.

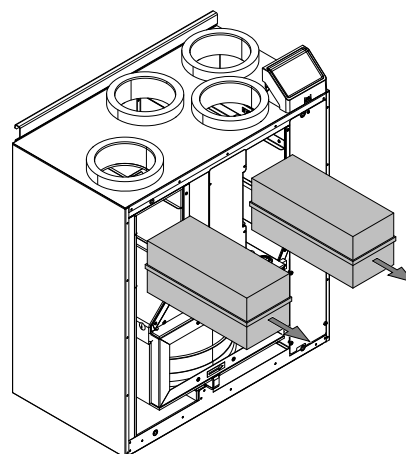


Bild 12 Wärmetauscherfilter

6.3.1 Zurücksetzen der Filterzeit

Wenn der Filter anders eingestellt wird, muss die Filterzeit zurückgesetzt werden. Gehen Sie ins Menü **Filter** (siehe 5.4 *Menü-Übersicht*, Seite 51, Pos. E) oder, bei Filteralarm, klicken Sie auf die Alarmstatuszeile (siehe 5.5 *Startbildschirm*, Seite 52, Pos. 5) und wählen Sie Filteralarm. Wählen Sie **CHANGE FILTER**, definieren Sie in dem Popup-Menü einen neuen Filterzeitraum und drücken Sie **OK** zur Bestätigung der Auswahl.

Die Filterzeit ist jetzt zurückgesetzt.

6.4 Überprüfen und Reinigen des Wärmetauschers



Gefahr

- Vergewissern Sie sich, dass das Gerät von der Stromversorgung getrennt ist, bevor Sie Wartungs- oder Elektroarbeiten durchführen!

Trotz Durchführung der erforderlichen Wartungsarbeiten lagert sich Staub im Wärmetauscherblock ab. Deshalb ist es für die Aufrechterhaltung der hohen Leistungsfähigkeit von entscheidender Bedeutung, dass der Wärmetauscherblock vom Gerät entfernt und in regelmäßigen Abständen wie nachstehend dargestellt gereinigt wird. Reinigen Sie den Wärmetauscher mindestens alle 3 Jahre oder bei Bedarf.

1. Ziehen Sie die Kabel für die Stromversorgung des Rotors und den Rotorsensor ab. Sie finden diese neben dem Rotor, an der Rückseite.
2. Ziehen Sie den Rotor zu sich heran. Hierzu kann ein gewisser Kraftaufwand erforderlich sein.
3. Reinigen Sie den Rotor

In heißem Seifenwasser säubern. Verwenden Sie keine ammoniakhaltigen Reinigungsmittel. Abspülen, beispielsweise mit einer Duschbrause.



Warnung

- Achten Sie darauf, dass der Rotormotor keiner Feuchtigkeit ausgesetzt ist.

4. Bauen Sie den Rotor wieder ein. Vergessen Sie nicht die Kabel für die Stromversorgung des Rotors und den Sensor wieder anzuschließen.

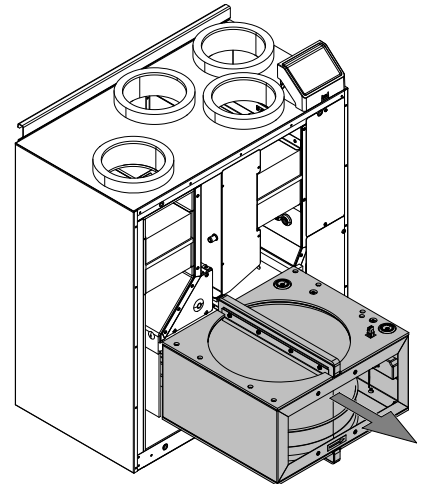


Bild 13 Wärmetauscher

6.5 Reinigen der Ventilatoren



Gefahr

- Vergewissern Sie sich, dass das Gerät von der Stromversorgung getrennt ist, bevor Sie Wartungs- oder Elektroarbeiten durchführen!

Die Motorlager sind lebensdauer geschmiert und wartungsfrei.

Auch wenn die vorgeschriebenen Wartungsarbeiten wie z. B. das Auswechseln der Filter durchgeführt werden, können sich dennoch Staub und Fett langsam in den Ventilatoren ansammeln. Dadurch wird die Leistung gemindert.

Die Ventilatoren können wie in dem nachstehend dargestellten Verfahren gereinigt werden.

1. Ziehen Sie die Kabel für die Stromversorgung des Ventilators ab. Sie finden diese neben dem Ventilator, an der Rückseite.
2. Ziehen Sie die Ventilatoren zu sich heran. Hierzu kann ein gewisser Kraftaufwand erforderlich sein.
3. Reinigen Sie die Ventilatoren mit einem Tuch oder einer weichen Bürste. Verwenden Sie kein Wasser. Zur Beseitigung von hartnäckigen Ablagerungen eignet sich Brennspritus.

Lassen Sie die Ventilatoren vor dem Wiedereinbau gut trocknen.

4. Bauen Sie die Ventilatoren wieder ein. Vergessen Sie nicht die Kabel für die Stromversorgung der Ventilatoren wieder anzuschließen.

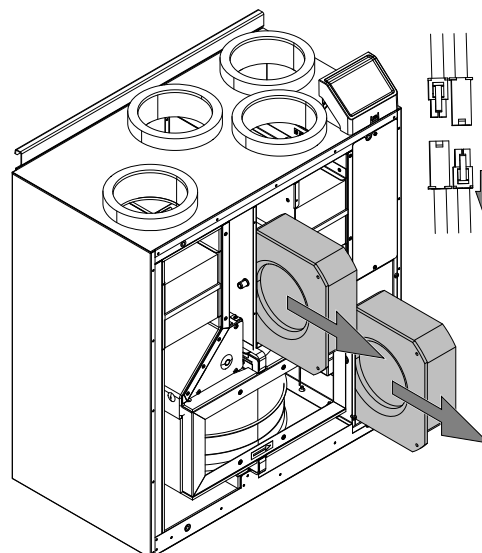
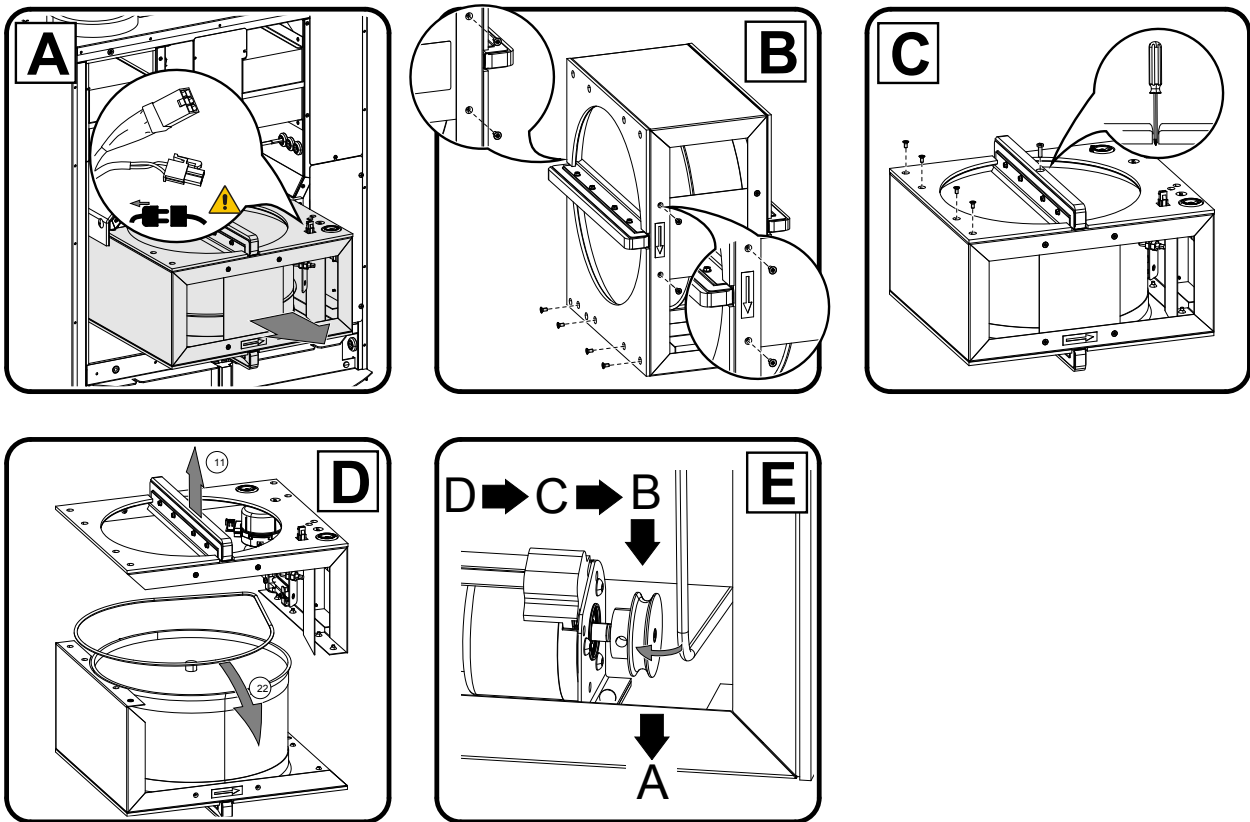


Bild 14 Abluft- und Zuluftventilatoren

6.6 Austausch der Rotor-Antriebsriemens

Wenn der Alarm **ROTOR guard** anliegt, kann der Rotor-Antriebsriemen beschädigt oder kaputt sein, siehe Kapitel 8.1.

Ein Ersatzantriebsriemen ist bereits auf der Wärmerückgewinnung platziert und wird mit dem Gerät geliefert.



Falls beide verschweißten Riemen reißen, kann ein Verbindungsstück als vorläufige Lösung zur Schnellreparatur dienen, bis der verschweißte Riemen durch einen neuen Riemen ersetzt werden kann. Abhängig von der Art der Installation des Gerätes ist es nicht unbedingt nötig, den Wärmetauscher zu entfernen, um eine vorläufige Reparatur des defekten Antriebsriemens vorzunehmen, sofern Zugang zur Riemenscheibe besteht.

1. Stoppen Sie das Gerät, indem Sie die Stromversorgung trennen.
2. Öffnen und entfernen Sie die Seitenabdeckung.
3. Entfernen Sie den funktionsuntüchtigen Antriebsriemen.
4. Verwenden Sie ein Klebeband, um den Antriebsriemen am Rotationswärmetauscher zu befestigen, und drehen Sie den Wärmetauscher per Hand, bis Sie den Riemen zu fassen bekommen.
5. Entfernen Sie das Klebeband und stecken Sie das „hohle“ Ende auf den Nippel. Drücken Sie die Enden fest zusammen und ziehen Sie den Nippel fest.

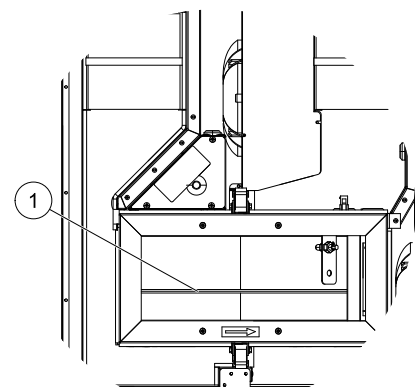


Bild 15 Rotor-Antriebsriemen

6. Ziehen Sie den Antriebsriemen auf das Riemenrad und drehen Sie den Wärmetauscher per Hand. Stellen Sie sicher, dass sich das Riemenrad dreht.



Hinweis!

Wenn der Antriebsriemen noch Spiel hat, kann der Antriebsriemen zu lang sein und muss gekürzt werden. Kürzen Sie den Antriebsriemen um 5 mm und beginnen Sie erneut mit Schritt 5.

7. Setzen Sie die Seitenabdeckung wieder ein und ziehen Sie diese fest. Stellen Sie die Stromversorgung wieder her.

8. Stellen Sie sicher, dass der Alarm auf der Kontrolldisplay nicht mehr angezeigt wird.

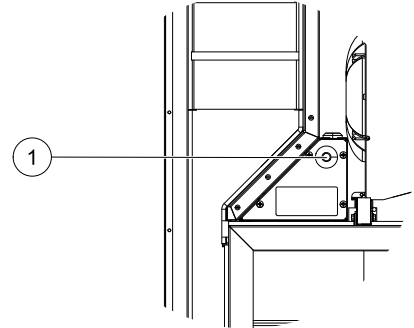


Hinweis!

Wenn der Alarm immer noch anliegt, prüfen Sie den Rotorsensor.

6.7 Rückstelltaste Überhitzungsschutz

Wenn die Zulufttemperatur niedrig ist, kann die anzeigen, dass der Überhitzungsschutz ausgelöst wurde. Der Überhitzungsschutz kann durch Drücken der Rückstelltaste zurückgestellt werden.



6.8 Wartung des Kanalsystems

6.8.1 Reinigen der Abluftventile und Luftauslässe

Das System versorgt Ihr Zuhause mit frischer Luft und leitet verbrauchte Raumluft über das Kanalsystem und die Luftauslässe/Abluftventile ab. Die Luftauslässe und Abluftventile befinden sich in den Decken bzw. Wänden von Schlaf- und Wohnzimmern, Nasszellen, WCs, etc. Bauen Sie die Luftauslässe und Abluftventile nach Bedarf aus und spülen Sie diese in heißer Seifenlauge ab (die Luftauslässe/Abluftventile müssen nicht ausgetauscht werden). Die Luftauslässe/Abluftventile können bei Bedarf gereinigt werden.

6.8.2 Überprüfen des Außenlufteinlasses

Laub und Schmutz können das Einlassgitter verstopfen und die Leistung verringern. Überprüfen Sie das Einlassgitter und reinigen Sie es bei Bedarf. Es empfiehlt sich, dies mindestens zwei Mal im Jahr zu machen.

6.8.3 Überprüfung der Dachhaube (sofern vorgesehen)

Die Dachhaube (sofern vorgesehen), die an dem Abluftkanal angeschlossen ist, muss mindestens zwei Mal im Jahr überprüft und bei Bedarf gereinigt werden.

6.8.4 Überprüfen und Reinigen des Kanalsystems

Auch wenn die vorgeschriebenen Wartungsarbeiten wie z.B. das Auswechseln der Filter durchgeführt werden, können sich dennoch Staub und Fett im Kanalsystem ablagern. Dadurch wird die Leistung der Anlage gemindert.

Aus diesem Grund sollten die Rohrleitungen nach Bedarf gereinigt/ausgewechselt werden. Stahlkanäle lassen sich reinigen, indem eine in Seifenlauge getränkte Bürste durch den Kanal gezogen wird, und zwar über die Luftauslass-/Ventilöffnungen oder über spezielle Kontrollklappen im Kanalsystem (sofern vorgesehen).

Es empfiehlt sich, dies alle 5 Jahre normalerweise von autorisierten Unternehmen, die darauf spezialisiert sind, durchführen zu lassen.

7 Fehlersuche

Sollten Probleme auftreten, überprüfen Sie bitte die nachstehenden Punkte, bevor Sie den Kundendienst anrufen.

Funktionsstörung	Maßnahme
Fans beginnen nicht	<ol style="list-style-type: none"> 1. Überprüfen Sie das HMI auf Alarme. 2. Überprüfen Sie, ob alle Sicherungen und Schnellkupplungen angeschlossen sind (Netzteil und Schnellkupplungen für Zuluft- und Abluftventilatoren). 3. Prüfen Sie, ob der Wochenplan eingeschaltet ist und im AUTO-Modus läuft. Der Wochenplan kann im AUS -Modus sein, wenn der Luftstrom auf AUS (Kapitel 5.7). eingestellt ist.
Reduzierter Luftstrom	<ol style="list-style-type: none"> 1. Überprüfen Sie das HMI auf Alarme. Einige Alarme können den Luftstrom auf Niedrigreduzieren, wenn sie aktiv sind. 2. Die Einheit könnte im Abtaumodus sein. Dies verringert die Lüftergeschwindigkeit und schaltet in einigen Fällen den Entlüftungsventilator während des Abtauzyklus vollständig ab. Die Fans gehen nach dem Auftauen wieder auf. In der APP- oder HMI-Startbildschirm ist ein Abtau-Funktions-Symbol zu sehen, wenn die Abtauung aktiv ist. 3. Wenn die Außenlufttemperatur unter 0°C liegt (Außenlufttemperatursensor (OAT) misst < 0°C) Die Außenluftstromkompensationsfunktion kann aktiv sein (falls aktiviert). Die Ventilatorgeschwindigkeit (Versorgung oder Versorgung / Abluftventilatoren) wird linear reduziert, um die Außenlufttemperatur zu senken. 4. Prüfen Sie, ob der temporäre Benutzermodus, der den Luftstrom reduziert, nicht aktiviert ist, z. B. Abwesend, Urlaub usw. Überprüfen Sie auch die digitalen Eingänge Zentralstaubsauger und Dunstabzugshaube. 5. Überprüfen Sie die Einstellung des Luftstroms im HMI. 6. Überprüfen Sie die Wochenplaneinstellungen (Kapitel 5.7). 7. Überprüfen Sie die Filter. Ist der Filterwechsel erforderlich? 8. Überprüfen Sie die Diffusoren / Lamellen. Is cleaning of diffusers/louvres required? 9. Überprüfen Sie Fans und Wärmetauscherblock. Ist die Reinigung erforderlich? 10. Prüfen Sie, ob die Gebäude Lufteinlass und Dacheinheit (Auspuff) verstopft sind. 11. Kontrollieren Sie die sichtbare Leitung auf Beschädigung und / oder Staubbildung / Verschmutzung. 12. Überprüfen Sie die Diffusor- / Rasteröffnungen.
Die Einheit kann nicht gesteuert werden (Kontrollfunktionen sind stecken)	<ol style="list-style-type: none"> 1. Setzen Sie die Steuerfunktionen aus, indem Sie den Stecker 10 Sekunden lang herausziehen. 2. Überprüfen Sie die modulare Kontaktverbindung zwischen dem HMI und der Hauptplatine.

Funktionsstörung	Maßnahme
Niedrige Zulufttemperatur	<ol style="list-style-type: none"> 1. Überprüfen Sie die Anzeige auf Alarme. 2. Überprüfen Sie die aktiven Benutzerfunktionen im HMI-Bildschirm, wenn die Abtauung-Funktion läuft. 3. Prüfen Sie die eingestellte Zulufttemperatur im HMI. 4. Überprüfen Sie, ob der ECO -Modus im HMI aktiviert ist (es ist eine Energiesparfunktion und verhindert das Aktivieren der Heizung). 5. Überprüfen Sie, ob die Betriebsarten Urlaub, Abwesend or Party im HMI oder über einen festverdrahteten Schalter aktiviert sind. 6. Überprüfen Sie die analogen Eingänge im Servicemenü, um sicherzustellen, dass die Temperatursensoren korrekt funktionieren. 7. Bei installierter elektrischer / sonstiger Nachheizbatterie: Überprüfen Sie, ob der Überhitzungsschutzthermostat noch aktiv ist. Ggf. durch Drücken der roten Taste auf der Frontplatte des elektrischen Nachheizers zurücksetzen. 8. Prüfen Sie, ob der Extraktfilter gewechselt werden muss. 9. Überprüfen Sie, ob die Einheit an der Batterie angeschlossen ist. Bei sehr kalten Außenbedingungen kann eine Elektro- oder Wasserheizung notwendig sein. Als Zubehör kann eine Wiedererwärmungsbatterie aufgenommen werden.
Geräusche / Vibrationen	<ol style="list-style-type: none"> 1. Saubere Lüfterräder. 2. Prüfen Sie, ob die Schrauben, die die Ventilatoren halten, angezogen sind. 3. Prüfen Sie, ob die Antivibrationslisten an der Montagehalterung und an der Rückseite der Einheit angebracht sind. 4. Check that the rotor belt is not slipping if the unit has rotating heat exchanger.

8 Alarme

Drücken Sie die Taste **HILFE** auf den aktiven Alarm, um auf FAQ und Fehlerbehebung zuzugreifen (falls vorhanden). Drücken Sie die Taste **BESTÄTIGEN** auf den einzelnen Alarm, um ihn zu löschen. Je nach Alarmtyp und Ursache kann es notwendig sein, zuerst eine Fehlersuche durchzuführen, um den aktiven Alarm zu bestätigen.

Ein Alarm kann nicht gelöscht werden, wenn die Ursache nicht behoben wurde. Der Alarm wird sofort erneut signalisiert.

8.1 Alarmliste

Alarmname	Erklärung	Mach Folgendes
Frostschutz	Frostschutz von Rücklaufwasser in Heizwendel. <ul style="list-style-type: none"> • Der Alarm stoppt das Gerät und öffnet das Wasserventil vollständig. 	Der Alarm wird zurückgesetzt, sobald die Wassertemperatur 13 °° C erreicht. Überprüfen Sie die Wasserflüssigkeitstemperatur in der Heizwendel. Überprüfen Sie die Umwälzpumpe des Wassererhitzers. Wenden Sie sich an Ihren Installationsfirma oder Ort des Kaufs.
Frostschutztemperatursensor	Zeigt eine Fehlfunktion des Wassersensors an. <ul style="list-style-type: none"> • Alarm stoppt die Einheit. 	Überprüfen Sie, ob der Frostschutz-Temperaturfühler richtig angeschlossen ist und das Kabel nicht beschädigt ist. Wenden Sie sich an Ihren Installationsfirma oder Ort des Kaufs.

Alarmname	Erklärung	Mach Folgendes
Fehler Abtauung	Zeigt den Ausfall der Vorwärmer an, um die eingehende Außenluft vorzuwärmen (falls der Zusatzregler als Vorheizregister konfiguriert ist). <ul style="list-style-type: none"> Alarm stoppt die Einheit. 	Überprüfen Sie die Vorwärmer-Reset-Taste. Überprüfen Sie die Vorwärmerverkabelung. Wenden Sie sich an Ihren Installationsfirma oder Ort des Kaufs. Der Auftaufehler kann durch extrem niedrige Außenlufttemperaturen oder Vorwärmerausfall verursacht werden.
Zuluftventilator UpM	Die Drehzahl des Zuluftgebläses ist geringer als die Mindestanforderungen. Lüfterfehler. <ul style="list-style-type: none"> Alarm stoppt die Einheit. 	Schnellverbinder des Ventilators prüfen. Wenden Sie sich an Ihren Installationsfirma oder Ort des Kaufs.
Abluftventilator UpM	Die Rotationsgeschwindigkeit des Abluftgebläses ist niedriger als die Mindestanforderungen. Lüfterfehler. <ul style="list-style-type: none"> Alarm stoppt die Einheit. 	Schnellverbinder des Ventilators prüfen. Wenden Sie sich an Ihren Installationsfirma oder Ort des Kaufs.
Zuluftventilator Regelfehler	Durchfluss- oder Druckalarm für Zuluft. Der Druck liegt unterhalb der Druckgrenze. <ul style="list-style-type: none"> Alarm stoppt die Einheit. 	Überprüfen Sie, ob der Luftschlauch für den Drucksensor richtig angeschlossen ist und das Kabel nicht beschädigt ist. Wenden Sie sich an Ihren Installationsfirma oder Ort des Kaufs.
Abluftventilator Regelfehler	Durchfluss- oder Druckalarm für Abluft. Der Druck liegt unterhalb der Druckgrenze. <ul style="list-style-type: none"> Alarm stoppt die Einheit. 	Überprüfen Sie, ob der Luftschlauch für den Drucksensor richtig angeschlossen ist und das Kabel nicht beschädigt ist. Wenden Sie sich an Ihren Installationsfirma oder Ort des Kaufs.
Feueralarm	Feueralarm ist aktiv. <ul style="list-style-type: none"> Alarm stoppt die Einheit. 	Sobald der externe Feuermelder deaktiviert ist, muss der Alarm quittiert und neu gestartet werden.
Sicherheitstemperaturbegrenzer	Zeigt einen ausgelösten Überhitzungsschutz an (bei installierter elektrischer Nachheizbatterie).	Ein ausgelöster manueller oder automatischer Überhitzungsschutz (EMT) gibt einen Alarm im Bedienfeld. Falls ein manueller Überhitzungsschutz ausgelöst wird, setzen Sie ihn durch Drücken der Reset-Taste zurück. Wenn der automatische Überhitzungsschutz ausgelöst wird, wird er automatisch zurückgesetzt, sobald die Temperatur abgefallen ist. Wenn das Problem weiterhin besteht, wenden Sie sich an Ihren Installationsfirma oder Ort des Kaufs.
Bypassklappe	Zeigt eine Störung des Bypass-Dämpfers an.	Trennen Sie die Netzspannung für 10 Sekunden, um die Steuerfunktion zurückzusetzen. Schalten Sie das Gerät ein, ein automatischer Bypass-Dämpfer-Test wird durchgeführt. Wenn der Alarm nach ca. 2 Minuten wieder auftritt, wenden Sie sich an Ihren Installationsfirma oder Ort des Kaufs.

Alarmname	Erklärung	Mach Folgendes
Rotorüberwachung	Zeigt eine Rotorfehlfunktion an. Kein Drehschutz für 180 Sekunden.	Wenn der rotierende Wärmetauscher gestoppt hat. Rotorband prüfen. Wenn sich der Wärmetauscher noch dreht, ist zu prüfen, ob der Schnellverbinder für den Sensor angeschlossen ist und ein Luftspalt von 5-10 mm zwischen Sensor und Magnet vorhanden ist. Stellen Sie ggf. die Lücke ein. Wenn der Alarm weiterhin besteht, kann der Rotorsensor defekt sein. Wenden Sie sich an Ihren Installationsfirma oder Ort des Kaufs.
Sekundärluftklappe	Sekundärluftabtauung fehlgeschlagen Außenlufttemperatursensor misst <10° C in 2 Sek nach dem Abtauen ODER Außenlufttemperatursensor misst <5° C in 5 Min nach dem Auftauen	Überprüfen Sie, ob der Sekundärluftklappe in der richtigen Position ist. Überprüfen Sie, ob der Dämpfer richtig angeschlossen ist und das Kabel nicht beschädigt ist. Wenden Sie sich an Ihren Installationsfirma oder Ort des Kaufs.
Außentemperatursensor	Zeigt die Störung des Außenlufttemperatursensors an.	Überprüfen Sie, ob der Sensor ordnungsgemäß angeschlossen ist und das Kabel nicht beschädigt ist. Wenden Sie sich an Ihren Installationsfirma oder Ort des Kaufs.
Überhitzungstemperatur	Zeigt die Störung des Überhitzungstemperatursensors an.	Überprüfen Sie, ob der Sensor ordnungsgemäß angeschlossen ist und das Kabel nicht beschädigt ist. Wenden Sie sich an Ihren Installationsfirma oder Ort des Kaufs.
Zulufttemperatursensor	Zeigt die Störung des Zulufttemperatursensors an.	Überprüfen Sie, ob der Sensor ordnungsgemäß angeschlossen ist und das Kabel nicht beschädigt ist. Wenden Sie sich an Ihren Installationsfirma oder Ort des Kaufs.
Raumlufttemperatursensor	Zeigt die Störung des Raumlufttemperatursensors an.	Überprüfen Sie, ob der Sensor ordnungsgemäß angeschlossen ist und das Kabel nicht beschädigt ist. Wenden Sie sich an Ihren Installationsfirma oder Ort des Kaufs.
Ablufttemperatursensor	Zeigt die Fehlfunktion des Ablufttemperatursensors an.	Überprüfen Sie, ob der Sensor ordnungsgemäß angeschlossen ist und das Kabel nicht beschädigt ist. Wenden Sie sich an Ihren Installationsfirma oder Ort des Kaufs.
Zusatzreglertemperatur	Zeigt zusätzliche Störung des Reglertemperatursensors an.	Überprüfen Sie, ob der Sensor ordnungsgemäß angeschlossen ist und das Kabel nicht beschädigt ist. Wenden Sie sich an Ihren Installationsfirma oder Ort des Kaufs.
Effizienztemperatursensor	Zeigt die Störung des Effizienz-Temperatursensors an.	Überprüfen Sie, ob der Sensor ordnungsgemäß angeschlossen ist und das Kabel nicht beschädigt ist. Wenden Sie sich an Ihren Installationsfirma oder Ort des Kaufs.
PDM RH	Zeigt die Fehlfunktion des internen relativen Feuchtigkeitssensors an. Aktiv: gemessene Feuchtigkeit = 0% Rückgabe: gemessene Feuchtigkeit > 5%	Überprüfen Sie, ob der Sensor ordnungsgemäß angeschlossen ist und das Kabel nicht beschädigt ist. Wenden Sie sich an Ihren Installationsfirma oder Ort des Kaufs.

Alarmname	Erklärung	Mach Folgendes
PDM RH Extract air temperature	Zeigt die Fehlfunktion des internen Ablufttemperatursensors an. Aktiv: gemessene Temperatur = 0° C Rückkehr: gemessene Temperatur > 5 °C	Überprüfen Sie, ob der Sensor ordnungsgemäß angeschlossen ist und das Kabel nicht beschädigt ist. Wenden Sie sich an Ihren Installationsfirma oder Ort des Kaufs.
Filter Warnung	Benachrichtigung über Filterwechsel.	Der Filter muss innerhalb eines Monats ausgetauscht werden. Bitte erwerben Sie neue Filter.
Filter	Zeit für Filterwechsel.	Change the filter. Filter nach den Anweisungen im Benutzerhandbuch wechseln. Details zu den Filterhändlern finden Sie im Hilfemenü.
Alarm Zusatzrelger	Error from external device.	Überprüfen Sie, ob das externe Gerät ordnungsgemäß angeschlossen ist und das Kabel nicht beschädigt ist. Reset Überhitzungsschutz auf Elektro-Vorwärmer. Wenden Sie sich an Ihren Installationsfirma oder Ort des Kaufs.
Externer Stopp	Einheit wird durch externes Signal gestoppt.	Der Betrieb wird durch ein digitales Signal von einem externen Ferngerät oder Signal vom Gebäudeverwaltungssystem gestoppt.
Manueller ventilatorenstopp aktiv	Betrieb gestoppt, Ventilatoren sind im manuellen Modus und als Ausgewählt.	Wählen Sie im HMI-Startbildschirm eine weitere Geschwindigkeit der Lüfter (Niedrig/ NORMAL/ Hoch) oder AUTO-Modus.
Überhitzungstemperatur	Temperature after reheater is too high. Aktiv: (Überhitzung Temperaturfühler misst > 55 °C) Ist zurückgekommen: (Überhitzung Temperaturfühler misst <50 °C)	Alarm ist möglich, wenn der Zuluftstrom zu niedrig ist, wenn der Überhitzer eingeschaltet ist. Überprüfen Sie den Zuluftstrom. Überprüfen Sie, ob das Einlassgitter nicht blockiert ist. Überprüfen Sie, dass die Absperrklappe für die Außenluft im Betrieb geöffnet ist. Wenden Sie sich an Ihren Installationsfirma oder Ort des Kaufs.
Niedrige Zulufttemperatur	Die Zulufttemperatur ist zu niedrig. Aktiv: (Außenlufttemperaturfühler misst <0° C) und (Zulufttemperaturfühler misst <5° C) Ist zurückgekommen: (Zulufttemperaturfühler misst > 10° C)	Überprüfen Sie den Wärmetauscher und reheizen Sie oder verweisen Sie auf Punkt 2 im Menü "Fehlersuche".
CO ₂	Externes CO ₂ Sensor-Fehlfunktion.	Überprüfen Sie, ob der Sensor ordnungsgemäß angeschlossen ist und das Kabel nicht beschädigt ist. Falls Sensor drahtlos ist - den RS485-Gateway-Status und den Sensorstatus im HMI überprüfen. Wenden Sie sich an Ihren Installationsfirma oder Ort des Kaufs.

Alarmname	Erklärung	Mach Folgendes
RH	Externer relativer Feuchtigkeitssensor Fehlfunktion.	Überprüfen Sie, ob der Sensor ordnungsgemäß angeschlossen ist und das Kabel nicht beschädigt ist. Falls Sensor drahtlos ist - den RS485-Gateway-Status und den Sensorstatus im HMI überprüfen. Wenden Sie sich an Ihren Installationsfirma oder Ort des Kaufs.
Ausgang in Handbetrieb (manuell)	Ein oder mehrere analoge Ausgänge befinden sich im Handbetrieb.	Überprüfen Sie das Service-Menü für die Ausgabeeinstellungen und überprüfen Sie alle konfigurierten Ausgänge im Auto-Modus. Wenn irgendwelche Ausgänge in Manuell - zurück in den Auto-Modus wechseln.

Der Alarm `Feueralarm` kann nur über einen digitalen Eingang aktiviert werden. Dieser dient zur Anbindung von einem Rauchmelder oder Brandmeldeanlage. Der Digitaleingang muss als `Feueralarm` konfiguriert sein.

Der als `Sammelalarm` konfigurierte digitale Ausgang wird aktiviert sobald ein Alarm ansteht, mit Ausnahme von Alarm `Externer Stopp`, `Ausgang in Handbetrieb (manuell)` und `Manueller Ventilatorenstopp`. Eine Klassifizierung der Alarmkategorie ist nicht möglich.

©Tekijänoikeus Systemair UAB

Kaikki oikeudet pidätetään

E&OE

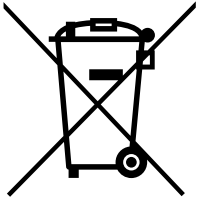
Systemair UAB pidättää itsellään oikeuden tehdä muutoksia tuotteisiinsa ilman erillistä ilmoitusta.

Tämä koskee myös jo tilattuja tuotteita edellyttäen, että se ei vaikuta aikaisemmin sovittuihin erittelyihin.

Sisällysluettelo

1	Hävittäminen ja kierrätys	73			
2	Varoitukset	73			
3	Laitekilpi	73			
4	Johdanto	74			
5	Määrittely.....	74			
5.1	Yleistä	74			
5.2	Startup-avustaja	74			
5.3	Yleisiä merkkejä.....	74			
5.4	Valikkokatsaus.....	75			
5.5	Aloituspöytä.....	76			
5.5.1	Käyttötavat.....	76			
5.5.2	Lämpötila-asetukset	78			
5.5.3	Ilmavirta-asetukset.....	79			
5.5.4	Sisäilman laatu	79			
5.5.5	Tilannerivit.....	80			
5.6	Toimintokuvakkeiden kuvaus.....	80			
5.7	Viikkoaikataulu	81			
5.7.1	Valitse ilmavirta-asetukset	81			
5.7.2	Muokkaa aikataulua	81			
6	Laitteen huolto	82			
6.1	Varoitukset	82			
6.2	Etulevyn poistaminen/ kiinnittäminen	83			
6.3	Suodattimien vaihtaminen.....	83			
6.3.1	Suodatinlaskurin palautus.....	83			
6.4	Lämmönsiirtimen tarkastus ja puhdistus	83			
6.5	Puhaltimien puhdistus	84			
6.6	Roottorin käyttöhihnan vaihtaminen.....	84			
6.7	Ylikuumentumisen palautuspainike.....	86			
6.8	Kanaviston huolto	86			
6.8.1	Poistosäleikköjen ja tuloilmahajottimien puhdistus	86			
6.8.2	Ulkoilmanoton tarkastus	86			
6.8.3	Kattohormin tarkastaminen	86			
			6.8.4	Kanaviston tarkastus ja puhdistus	86
			7	Vianetsintä	86
			8	Hälytykset	88
			8.1	Hälytysluettelo	88

1 Hävittäminen ja kierrätys



Tämä tuote on WEEE-direktiivin mukainen. Hävittäessäsi laitteen noudata paikallisia sääntöjä ja määräyksiä.

Tämä pakkausmateriaali on kierrätettävää ja sitä voidaan käyttää uudelleen. Älä hävitä talousjätteiden mukana.



2 Varoitukset



Vaara

- Varmista, että kone on kytketty irti sähköverkosta ennen huolto- ja sähkötyitä!
- Kaikki sähköliitännät ja huoltotyöt on teetettävä valtuutetulla asentajalla paikallisten määräysten mukaisesti.



Varoitus

- Tätä konetta saa käyttää ja huoltaa vain sellainen henkilö / sellaisen henkilön valvonnassa, jolla on riittävät tiedot tai koulutus laitteesta ja ilmanvaihdosta.
- Varo teräviä reunoja asennuksen ja huollon yhteydessä. Käytä suojakäsineitä.



Varoitus

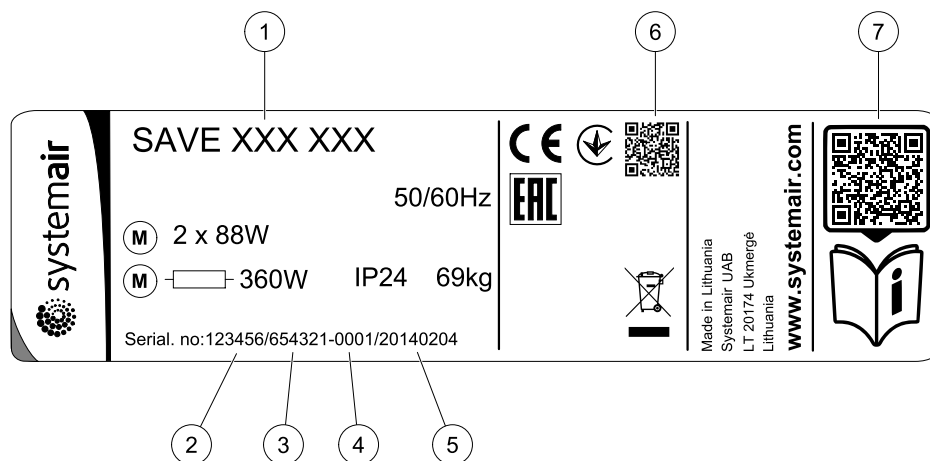
- Vaikka verkkovirta on irrotettu, on olemassa vaara, että pyörivät osat eivät ole täysin pysähtyneet.

Tärkeää

- Yksikön ja ilmanvaihtojärjestelmän asennustyöt on teetettävä valtuutetulla asentajalla paikallisten määräysten mukaisesti.
- Järjestelmän tulee olla päällä jatkuvasti ja se pitää pysäyttää vain kunnossapitoa/huoltoa varten.
- Älä kytkä kuivausrumpuja ilmanvaihtojärjestelmään.
- Kanavaliitännät/kanavien päät tulee suojata varastoinnin ja asennuksen ajaksi.
- Varmista ennen yksikön käynnistämistä, että suodattimet on asennettu.

3 Laitekilpi

Ennen kuin otat yhteyttä huoltoedustajaan, merkitse muistiin tuotenumero ja valmistusnumero laitekilvestä, joka löytyy koneen päältä kanavaliittimien läheltä tai koneen sisäpuolelta pohjalta.



Kuva 1 Laitekilpi

Sijainti	Kuvaus
1	Tuotekoodi (tuotteen tekniset tiedot)
2	Tuotenumero
3	Tuotannon tilausnumero
4	Sarjanumero
5	Valmistuspäivä (VV.KK.PP)
6	Valmistusnumeron (MO) ja ohjelmistoversion QR-koodi
7	Varaosaluettelon ja asiakirjojen QR-koodi

4 Johdanto

SAVE VTR 150/B on lämmön talteenottoyksikkö sisäänrakennetulla pyörivällä lämmönsiirtimellä. SAVE VTR 150/B sopii pienempiin huoneistoihin ja taloihin. Se syöttää suodatettua ulkoilmaa asuintiloihin ja poistaa ilmaa kylpyhuoneesta, keittiöstä ja märkätiloista.

Malliversioita on kaksi, oikea- (R) ja vasenkätinen (L). Molemmissa malleissa on valmiiksi asennettu 500 W tai 1000 W lämmityspatteri. Eri mallit tunnistaa sisäisten komponenttien sijoittelusta. Tässä käyttöohjeessa selostetaan vasenkätisen (L) laitteen käytön ja huollon perusteet.



Huom!

Tässä käsikirjassa on kuvattu vasenkätinen (L) malli. Oikeakätisen (R) mallin sisäpuoli on peilikuva.

5 Määrittely

5.1 Yleistä

SAVE VTR 150/B -koneissa on nykyaikainen nestekidekosketusnäytöllä varustettu ohjauspaneeli (HMI-käyttöliittymä). Kosketusnäyttö näyttää koneen tilaan liittyvät tiedot, ja kaikkia järjestelmän toimintoja voidaan hallita sen kautta.

Asetukset tehdään koskettamalla kuvakkeita tai valikon rivejä. Kosketusnäyttö on herkkä eikä sitä tarvitse painaa liian kovaa.

5.2 Startup-avustaja

Kun laitteeseen on kytketty virta ensimmäistä kertaa, sinua pyydetään asettamaan

- valikon kieli
- Aika ja päivämäärä
- tuotava asetustiedosto (jos Internet-moduuli (IAM) ja asetustiedosto ovat käytettävissä)
- Ilmavirran säätötyyppi (manuaalinen/RPM) ja ilmavirran tason arvot
- lämmitintyyppi (Ei mikään/Sähkö/Vesi/Yhdistelmä)

Opastettua käynnistystä ei ole mahdollista ohittaa.

5.3 Yleisiä merkkejä

Seuraavat valinta-symbolit ovat yleisiä ja läsnä useimmilla valikkosivulla:



Takaisin-painikkeella siiryt edelliseen valikkoon. Painike sijaitsee vasemmassa yläkulmassa.



Ylös-nuolella lisäät arvoa



Alas-nuolella vähennät arvoa



On ja Off (PÄÄLLÄ / POIS)-liukusäätimellä voidaan aktivoida tai deaktivoida toiminto. Valkoinen kupla - toiminto ei ole aktiivinen, vihreä kupla - toiminto on aktiivinen.

PERUUTA

Painikkeella voit peruuttaa muutokset

**ASETA/
OK**

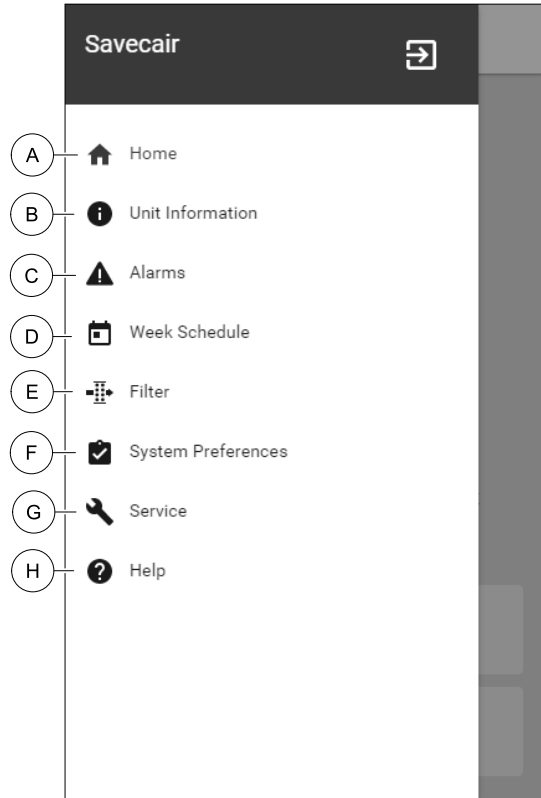
Painikkeet muutosten vahvistamiseksi

Jotkin valikot sisältävät useampia sivuja. Siirry silloin seuraavalle sivulle painamalla näytön oikeassa yläkulmassa olevaa sivukuvaketta. Ensimmäinen numero osoittaa näytetyn sivun numeron ja toinen numero käytettävissä olevien sivujen kokonaismäärän.

Monet vaihtoehdot näkyvät ponnahdusikkunan muodossa. Valitse vaihtoehto ponnahdusikkunassa näkyvästä luettelosta ja vahvista valinta painamalla OK.

5.4 Valikkokatsaus

- A. Palaa aloitusnäyttöön
- B. Perustiedot laitteesta
- C. Aktiiviset hälytykset ja hälytyshistoria
- D. Määritä ja tarkista viikkoaikataulu
- E. Tarkista ja vaihda jäljellä oleva aika ennen suodattimen vaihtamista
- F. Järjestelmäasetukset
- G. Kaikkien järjestelmän parametrien määrittäminen
- H. Ohje ja vianmääritys-valikko

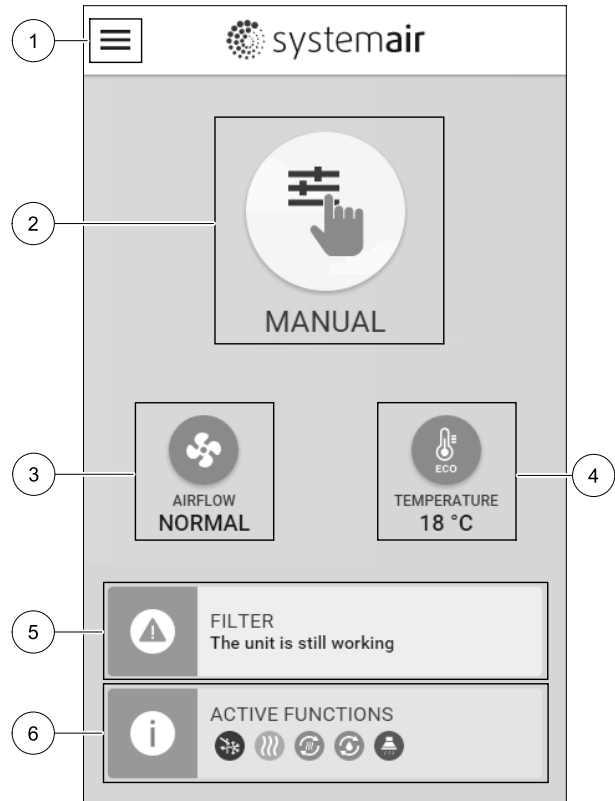


5.5 Aloitusnäyttö



Koskettamalla talosymbolia (A) pudotusvalikossa (1) voit aina palata aloitusnäyttöön

1. Pudotusvalikon luettelo
2. Aktiivinen käyttötapa
3. Ilmavirta-asetukset
4. Lämpötila-asetukset
5. Aktiivisten hälytysten luettelo
6. Kuvakkeiden luettelo aktiivisista käyttäjätoiminnoista



5.5.1 Käyttötavat

Aloitusnäytön yläosassa oleva ensimmäinen kuvake näyttää aktiivisen käyttötavan. Voit muuttaa käyttötavan painamalla aktiivisen käyttötavan kuvaketta (2) ja valitsemalla uuden käyttötavan. Laitteessa on 2 pysyvää ja 5 tilapäistä käyttötapaa. Vain yksi käyttötapa voi olla aktiivinen kerrallaan.

Kaikkien käyttötapojen asetuksia voidaan muokata **Huolto**-valikossa.






5.5.1.1 Pysyvät käyttötavat

Pysyvät käyttötavat ovat aina aktiivisia, mutta keskeytyksen voi aiheuttaa tilapäinen käyttötapa, aktivoitu toiminto tai hälytys

Kuvake	Teksti	Kuvaus
	AUTO	Automaattinen ilmavirran ohjaus. AUTO-tila on valittavissa, kun Tarveohjaus, viikkoaikataulu ja / tai ulkoinen puhaltimien ohjaus on määritetty, muuten AUTO-tilan kuvaketta ei näy aktiivisten käyttötapojen valikossa. AUTO-tilassa aktivoidaan tarveohjaus, viikkoaikataulu ja / tai ulkoinen puhaltimien ohjaus. Tarveohjaus on valittavissa ilmavirtausasetuksen viikkoaikatauluun.
	MANUAALINEN	Manuaalinen ilmavirran valinta. Laitte voidaan asettaa toimimaan yhdellä neljästä käytettävissä olevasta ilmavirtausnopeudesta: Pois/Matala/Normaali/Korkea.
	Huom!	Puhallin voidaan asettaa POIS sallimalla manuaalinen puhaltimien pysäytys Huolto valikossa.

5.5.1.2 Tilapäiset käyttötavat

Tilapäiset käyttötavat ovat aktiivisia tietyn ajanjakson ajan, ellei niitä keskeytä aktiivinen käyttötapa, aktivoitu toiminto tai hälytys.

Kuvake	Teksti	Kuvaus
	LOMA	Asettaa sekä tuloilma- että poistopuhaltimien nopeuden Matala-tasolle, kun käyttäjä on pidemmän aikaa poissa kotoa. ECO-tila on käytössä. Kesto asetetaan päivinä.
	TEHOSTUS	Asettaa sekä tuloilma- että poistopuhaltimien nopeuden Korkea-tasolle ja alentaa lämpötilan asetusarvoa 3 K, kun tilassa on tavallista enemmän ihmisiä. Lämpötilan asetusarvon muutos on oletuksena 3 K. Kesto asetetaan tunteina.
	POISSA	Asettaa sekä tuloilma- että poistopuhaltimen nopeuden Matala-tasolle, kun käyttäjä on lyhyen ajan poissa kotoa. ECO-tila on käytössä. Kesto asetetaan tunteina.
	TUULETUS	Asettaa sekä tuloilma- että poistopuhaltimen nopeuden Korkea-tasolle, jotta sisäilma korvautuu nopeasti raittiilla ilmalla. Kesto asetetaan minuutteina.
	TAKKA	Asettaa tuloilmapuhaltimen nopeuden Korkea-tasolle ja poistopuhaltimen nopeuden Matala-tasolle, jotta takka vetäisi mahdollisimman hyvin. Kesto asetetaan minuutteina.







Kaikkien käyttötapojen asetuksia voidaan muokata Huolto- valikossa.

Väliaikaiset käyttötavat ja aktivoitavat toiminnot ovat aktiivisia vain tietyn ajan, sen jälkeen ne päättyvät ja laite siirtyy edelliseen AUTO tai MANUAALINEN tilaan riippuen siitä, mikä oli aktiivinen ennen tilapäistä käyttötapaa tai toimintoa.

Tilapäiset käyttötavat voidaan aktivoida myös esimerkiksi painikkeen tai läsnäolotunnistimen digitaalista tulosignaalia käyttäen.

5.5.1.3 Digitaaliset tulot

Digitaaliset sisääntulotoiminnot ovat aina aktiivisia, kun digitaalinen tulo on aktivoitu.

Kuvake	Teksti	Kuvaus
	Keskuspölynimuri	Toiminto asettaa tuloilmapuhaltimen nopeuden Korkea -tasolle ja poistoilmapuhaltimen Matala -tasolle ylipaineen lisäämiseksi huoneistossa, jotta pölyä voidaan kerätä keskuspölynimurilla paremmin. Toiminto voidaan aktivoida digitaalisen tulon kautta - Keskuspölynimuri.
	Liesikupu	Kasvattaa liesikuvun ilmavirtaa asettamalla tulo- ja poistopuhaltimien nopeuden Maksimi-tasolle. Tämä toiminto voidaan aktivoida digitaalista tuloa käyttäen (liesikuputoiminto).
	Konfiguroitava dig. tulo 1	Konfiguroitava digitaalinen tulo mukautetuille toiminnoille. Molempien puhaltimien ilmavirta-asetukset ovat vapaasti konfiguroitavissa. Korkean prioriteetin toiminto.
	Konfiguroitava dig. tulo 2	Konfiguroitava digitaalinen tulo mukautetuille toiminnoille. Molempien puhaltimien ilmavirta-asetukset ovat vapaasti konfiguroitavissa. Keskitason prioriteetin toiminto.
	Konfiguroitava dig. tulo 3	Konfiguroitava digitaalinen tulo mukautetuille toiminnoille. Molempien puhaltimien ilmavirta-asetukset ovat vapaasti konfiguroitavissa. Matalan prioriteetin toiminto.
	Painekyllkin	Konfiguroitava digitaalinen tulo painekyllkimelle. Molempien puhaltimien ilmavirta-asetukset ovat vapaasti konfiguroitavissa.

5.5.1.3.1 Konfiguroitavat digitaaliset tulot

Jokaiselle digitaaliselle tulolle voidaan erikseen määrittää tulo- ja poistopuhaltimien ilmavirran tasot. Tulo- ja poistopuhaltimelle voidaan antaa eri ilmavirran taso.

Konfiguroitava digitaalinen tulo voidaan aktivoida painikkeen, läsnäolotunnistimen tai minkä tahansa muun digitaalisella lähdöllä varustetun ulkoisen laitteen, kuten kiinteistöhallintajärjestelmä (BMS), signaalia käyttäen.

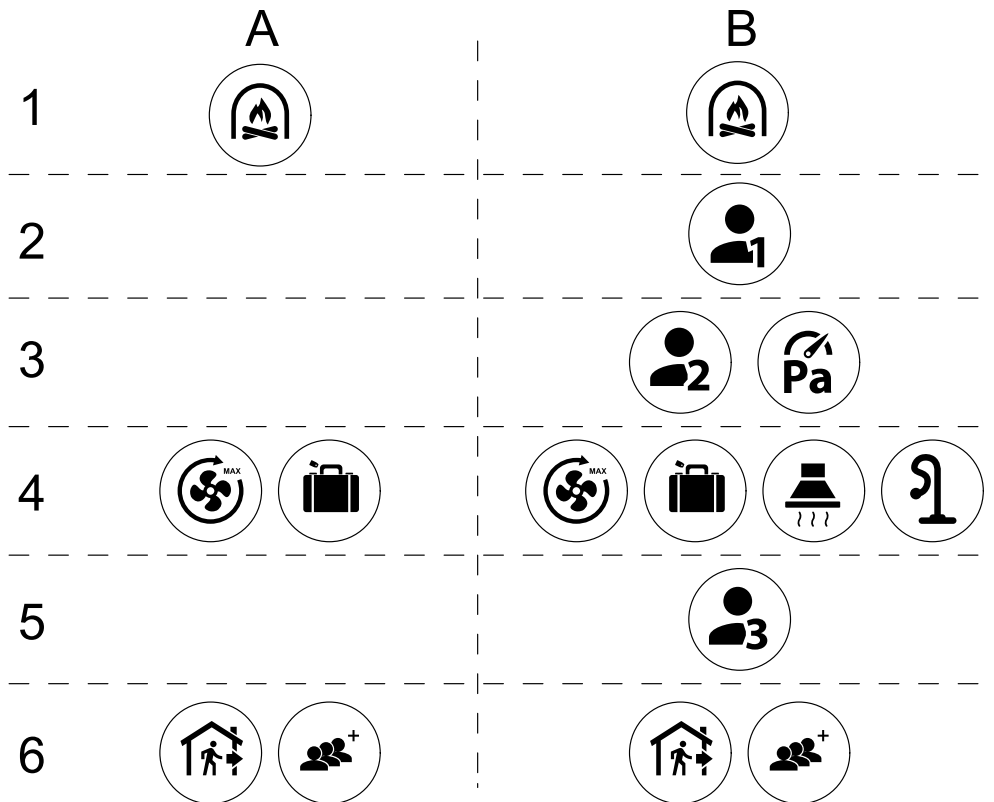
Konfiguroitavat digitaaliset tulot on ryhmitelty niiden prioriteetin mukaan siten, että Konfiguroitava dig. tulo 1 on korkeimman prioriteetin tulo, jota ei ole mahdollista ohittaa muulla käyttäjän valittavissa olevalla toiminnolla.

5.5.1.4 Digitaalisten sisäntulojen ja käyttötapojen hierarkia

Käyttötavoilla ja toimintatiloilla on eri hierarkia. Käyttötavat, jotka on otettu käyttöön käyttöliittymän tai mobiilin sovelluksen kautta, kuten POISSA, TEHOSTUS, TAKKA, LOMA ja TUULETUS keskeytyy manuaalisella puhaltimen nopeuden valinnalla AUTO ja MANUAALINEN.

TAKKA -käyttötavalla on korkein prioriteetti. Muut ohjauspaneelin tai sovelluksen kautta aktivoitavat käyttötavat voivat keskeyttää toisensa.

Jos TAKKA käyttötapa on kiinteästi kytketty liitäntäkorttiin ja määritetty digitaalituloksi (DI), sillä on korkeampi prioriteetti kuin AUTO ja MANUAALINEN-käyttötavoilla. Digitaalinen tulo TAKKA -toiminnolla on myös korkeampi prioriteetti kuin muilla kiinteillä digitaalisilla tuloilla (DI) POISSA, KESKUSPÖLYNIMURI, LIESIKUPU, TEHOSTUS, LOMA tai TUULETUS.



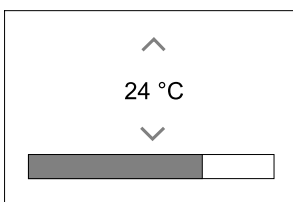
Kuva 2 Käyttötapojen ja digitaalisten tulojen hierarkia

Tavat on lueteltu niiden prioriteetin mukaan korkeimmasta matalimpaan; A - käyttötavat, jotka voidaan aktivoida ohjauspaneelin kautta; B - käyttötavat ja toiminnot, jotka aktivoidaan digitaalista tuloa käyttäen

5.5.2 Lämpötila-asetukset



Lämpötila voidaan asettaa kohdassa ASETA LÄMPÖTILA jonne pääset aloitusnäytöstä koskettamalla lämpömittarin kuvalla varustettua LÄMPÖTILA -kuvaketta. Oletuslämpötila on 18°C (12- 30°C).



Vaihda arvoa ylös- ja alas-nuolilla tai liukusäätimellä.

Vahvista muutokset painamalla OK-painiketta.

Lämpötilan asetusarvo on huoneilman lämpötilalle, tuloilman lämpötilalle tai poistoilman lämpötilalle riippuen siitä, mikä säätötapa on aktiivinen. Oletusasetus on Tuloilman lämpötilan ohjaus.

Lämpötilan säätötapaa voidaan muuttaa Huolto -valikossa.

5.5.2.1 ECO-tila



ECO-tila on virransäästötoiminto, joka voidaan aktivoida ASETA LÄMPÖTILA -valikossa.

ECO-tila on käytettävissä vain, jos järjestelmään on asennettu sisäinen lämmitin.

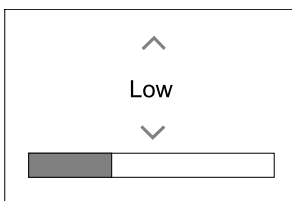
Kun ECO-tila on aktiivinen, jälkilämmittimen aktivoitumiseen ohjelmoitu lämpötila alenee.

Jos lämpötila on hyvin alhainen ja lämmitin aktivoituu yöllä (jopa alhaisemmalla lämpötilan asetusarvolla), tulevan päivän aikana sisäilman lämpötilaa lisätään lämmönvaihtimen avulla siten, että kertynyttä lämpöä voidaan käyttää seuraavan kylmän yön aikana.

ECO tila vaikuttaa seuraaviin seuraaviin käyttötapoihin, jos se on valittu:	ECO tila on aina aktivoitu seuraavilla käyttötavoilla ja toimintatiloilla:
<ul style="list-style-type: none"> • AUTO käyttötapa • MANUAALINEN käyttötapa • POISSA käyttötapa • LOMA käyttötapa • KESKUSPÖLYNIMURI toimintatila • LIESIKUPU toimintatila • TAKKA käyttötapa 	<ul style="list-style-type: none"> • POISSA käyttötapa • LOMA käyttötapa
	<p>ECO-tila on aina poistettu käytöstä seuraavalla käyttäjän toimintolla/tilalla:</p> <ul style="list-style-type: none"> • TEHOSTUS käyttötapa • TUULETUS käyttötapa • VAPAAJÄÄHDYTYS toimintatila

5.5.3 Ilmavirta-asetukset

Ilmavirta-asetukset ovat käytettävissä vain MANUAALINEN tilassa. Napsauta puhaltimen kuvaketta pääsivulla siirtyäksesi ASETA ILMAVIRTA valikkoon.



Käytä ylös- ja alas-nuolia tai liukusäädintä ilmavirta-arvon muuttamiseksi.

Ilmavirta voidaan muokata seuraavasti: Seis/Matala/Normaali/Korkea. Nämä asetukset ohjaavat tulo- ja poistoilmapuhaltimien lähtösignaaleja.

Tärkeää

Ei ole suositeltavaa asettaa puhallinta *Seis* tavallisissa kotitalouksissa. Jos manuaalinen puhaltimen pysäytys on sallittu, laitteessa on oltava sulkupellit jäte- ja raitisilmakanavissa, jotta kylmä veto ja kondensaatoriski vältetään, kun laite on pysäytetty.

Puhaltimen pysäytys *Seis* valinta sallitaan aktivoimalla manuaalinen puhaltimen pysäytys -toiminto Huolto -valikossa.

5.5.4 Sisäilman laatu



Laite ohjaa sisäilman kosteutta ja / tai CO₂ -pitoisuutta säätämällä ilmavirran asetusta. Ilmavirta nousee, jos ilmanlaatu huononee.

Tarveohjaus -toiminto vastaa sisäilman laadusta. Kosteus (RH) ja/tai CO₂ -anturit vastaavat laadun mittauksesta.

Sisäilman laatu (IAQ) -ilmaisimien on käytettävissä, jos AUTO käyttötapa ja Tarveohjaus -toiminto ovat käytössä.

IAQ (Indoor Air Quality) tasot:

- TALOUDELLINEN: Todellinen IAQ-arvo on alhaisen IAQ-asetuspisteen alapuolella.
- HYVÄ: Todellinen IAQ arvo on matalan ja korkean IAQ-rajan välillä.
- PARANEE: Todellinen IAQ arvo on korkean IAQ-asetuspisteen yläpuolella.

Erilaisia ilmastus-asetuksia voidaan asettaa PARANEE ja HYVÄ IAQ-tasolle PaiveLu -valikossa.

Asetusarvot suhteelliselle kosteudelle ja hiilidioksidille (CO₂) voidaan asettaa Huolto -valikossa.

5.5.5 Tilannerivit

Aloitussivun alaosassa olevat rivit näyttävät tietoja seuraavista:



Aktiivisten hälytysten luettelo. Katso lisätietoa kohdasta luku 8.1.









Aktiivisten toimintojen luettelo. Katso lisätietoa kohdasta luku 5.6.

Näiden rivien koskettaminen siirtää sinut seuraavalle sivulle, josta löytyy tarkempi luettelo ja tiedot jokaisesta hälytyksestä tai aktiivisesta toiminnosta.

5.6 Toimintokuvakkeiden kuvaus

Kuvake	Teksti	Kuvaus
	Lämmitys	Jälkilämmitin tai etulämmitin on aktiivinen ja lämmitys on käynnissä.
	Lämmön talteenotto	Lämmöntalteenotto on aktiivinen.
	Jäähdytys	Jäähdytyspatteri on aktiivinen ja jäähdytys on käynnissä.
	Kylmän talteenotto	Automaattinen kylmän talteenotto on aktiivinen, kun poistoilman lämpötila on alhaisempi kuin ulkoilman lämpötila ja jäähdytystarve on havaittu (lämpötilan asetusarvo on alempi kuin ulkolämpötila). Kylmän talteenotto ei aktivoidu jos tuloilmaa pitää lämmittää. Jos ulkoilman lämpötila on korkeampi kuin sisäilman lämpötila ja lämmitystarve on havaittu, toiminto Vapaaalämmitysaktivoituu.
	Vapaaajäähdytys	Toiminto jäähdyttää rakennusta ulkoilmalla yöllä kun ulkoilma on viileää.
	Kosteuden-siirto	Toiminto säätelee lämmönvaihtimen pyörimisnopeutta rajoittaen kosteuden palautumista tuloilmaan. Toiminto on käytettävissä vain laitteissa, joissa on roottori - lämmönvaihdin.
	Sulatus	Toiminto estää jään muodostumisen lämmönvaihtimessa kylmissä ulkolämpötiloissa.
	Toisioilma	Lämmintä sisäilmaa käytetään sulattamaan lämmönvaihdin. Ulkoilmakanavassa oleva pelti sulkeutuu.. Poistoilmapuhallin pysähtyy ja laite vaihtaa ulkoilmasta toisioilmaan, mikä nostaa lämpötilaa lämmönvaihtimen sisällä. Toiminto asettaa tuloilmapuhaltimen nopeuden Korkea -tasolle ja poistoilmapuhaltimen Matala -tasolle ylipaineen lisäämiseksi huoneistossa, jotta pölyä voidaan kerätä keskuspolymurilla paremmin. Toiminto voidaan aktivoida digitaalisen tulon kautta - Keskuspolymuri. Aina aktiivinen kun digitaalisääntulo aktivoidaan.
	Pölynimuri	

Kuvake	Teksti	Kuvaus
	Liesikupu	Kasvattaa liesikuvun ilmavirtaa asettamalla tulo- ja poistopuhaltimien nopeuden Maksimi-tasolle. Tämä toiminto voidaan aktivoida digitaalista tuloa käyttäen (liesikuputoiminto).
	Käyttäjän lukitus	Toiminto osoittaa, että järjestelmä on lukittu salasanalla, eikä sitä voi muokata tai muuttaa asetuksia millään tavalla. Järjestelmä on avattava salasanalla ennen muutosten tekemistä.
	Konfiguroitava dig. tulo 1	Konfiguroitava digitaalinen tulo mukautetuille toiminnoille. Molempien puhaltimien ilmavirta-asetukset ovat vapaasti konfiguroitavissa. Korkean prioriteetin toiminto.
	Konfiguroitava dig. tulo 2	Konfiguroitava digitaalinen tulo mukautetuille toiminnoille. Molempien puhaltimien ilmavirta-asetukset ovat vapaasti konfiguroitavissa. Keskitason prioriteetin toiminto.
	Konfiguroitava dig. tulo 3	Konfiguroitava digitaalinen tulo mukautetuille toiminnoille. Molempien puhaltimien ilmavirta-asetukset ovat vapaasti konfiguroitavissa. Matalan prioriteetin toiminto.
	Painekyllin	Konfiguroitava digitaalinen tulo painekyllimelle. Molempien puhaltimien ilmavirta-asetukset ovat vapaasti konfiguroitavissa.

5.7 Viikkoaikataulu



Laite voidaan konfiguroida toimimaan asetetuilla ilmavirtauksilla korkeintaan kahteen aikajaksoon (00:00-23:59) käyttäjän valitsemina viikonpäivinä. Viikkoaikataulu on käytössä vain kun käyttötapa on AUTO.

5.7.1 Valitse ilmavirta-asetukset

Kosketa asetusten kuvaketta, jos haluat siirtyä AIKATAULUTA ILMAVIRAN ASETUKSET valikkoon. Tässä valikossa voit asettaa ilmavirtauksen tasot aikataulun mukaan ja ilman aikataulua. Käytettävissä olevat tasot: Pois, Matala, Normaali, Korkea tai Tarveohjaus. Aseta lämpötilan asetusarvo molemmille kausille (-10°C. - 0°C).



Tarveohjaus on käytettävissä vain, jos Tarveohjaus tai Ulkoinen puhaltimen ohjaus on aktiivinen.

5.7.2 Muokkaa aikataulua



Voit lisätä uuden rivin koskettamalla kuvaketta oikeassa alakulmassa. Paina MUOKKAA -painiketta muokataksesi jo lisättyä aikataulua.

Aikataulun määrittäminen:

1. Aseta aika. Vaihda aikaa valitsemalla ALKAMISAIKA tai LOPPUMISAIKA. Käytä nuolipainikkeita ▲ ja ▼ lisätäksesi tai vähentääksesi arvoa. Vahvista painamalla OK painiketta.



Huom!

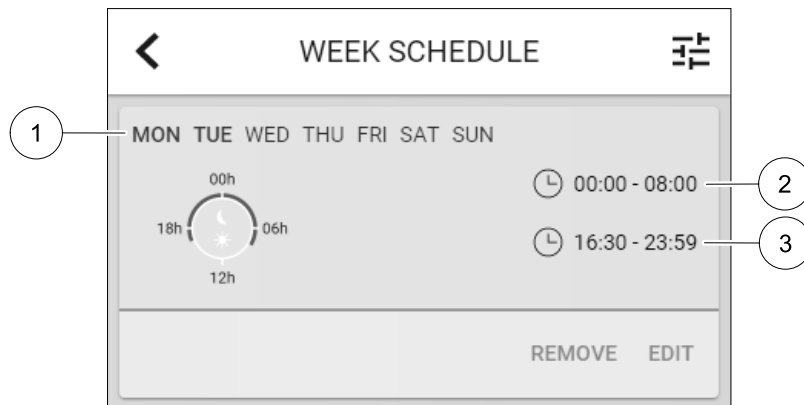
Aikataulun mukainen aika voi alkaa, mutta ei loppua keskiyöllä (00:00). Viimeisin LOPPUMISAIKA on 23:59. Aikataulutettu jakso ei voi jatkua seuraavaan päivään. 12 tai 24 tunnin kello voidaan valita Järjestelmäasetukset-valikon kautta.

Tarvittaessa lisää uusi rivi ja määritä aika.

2. Kun aika on asetettu, näpäytä päivää, jolloin ohjelman on oltava voimassa. Jokaiselle päivälle voidaan asettaa erillinen aikataulu.

Jo suunniteltuja päiviä ei ole käytettävissä uusien aikataulujen valinnassa.

3. Vahvista aikataulu painamalla OK painiketta.



Kuva 3 Esimerkki viikkoaikataulusta

Aikataulutetut päivät näkyvät korostettuina (1). Ensimmäisen ajanjakso (2) ja toinen ajanjakso (3) näytetään jokaisen aikataulun oikealla puolella.

6 Laitteen huolto

SAVE VTR 150/B tulisi normaalisti huoltaa 3 - 4 kertaa vuodessa.

6.1 Varoitukset



Vaara

- Varmista, että kone on kytketty irti sähköverkosta ennen huolto- ja sähkötöitä!
- Kaikki sähköliitännät ja huoltotyöt on teetettävä valtuutetulla asentajalla paikallisten määräysten mukaisesti.



Varoitus

- Tätä konetta saa käyttää ja huoltaa vain sellainen henkilö / sellaisen henkilön valvonnassa, jolla on riittävät tiedot tai koulutus laitteesta ja ilmanvaihdosta.
- Varo teräviä reunoja asennuksen ja huollon yhteydessä. Käytä suojakäsineitä.



Varoitus

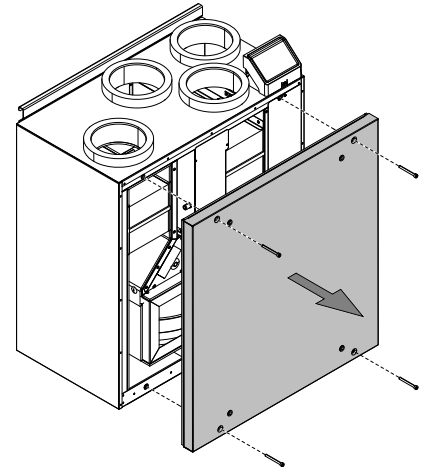
- Vaikka verkkovirta on irrotettu, on olemassa vaara, että pyörivät osat eivät ole täysin pysähtyneet.

Tärkeää

- Yksikön ja ilmanvaihtojärjestelmän asennustyöt on teetettävä valtuutetulla asentajalla paikallisten määräysten mukaisesti.
- Järjestelmän tulee olla päällä jatkuvasti ja se pitää pysäyttää vain kunnossapitoa/huoltoa varten.
- Älä kytke kuivausrumpuja ilmanvaihtojärjestelmään.
- Kanavaliitännät/kanavien päät tulee suojata varastoinnin ja asennuksen ajaksi.
- Varmista ennen yksikön käynnistämistä, että suodattimet on asennettu.

6.2 Etulevyn poistaminen/kiinnittäminen

Etulevy on kiinnitetty neljällä ruuvilla. Löysää ruuvit ja poista etulevy vetämällä.



Kuva 16 Etulevyn irrotus/asennus

6.3 Suodattimien vaihtaminen



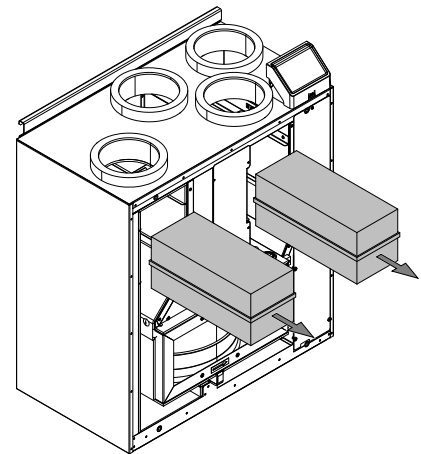
Vaara

Varmista ennen huolto- tai sähkötyöiden aloitusta, että koneen jännitteensyöttö on irtikytketty!

Suodattimet tulee vaihtaa 3-15 kuukauden välein, oletusarvo on 12 kuukautta. Kun suodattimet on vaihdettu, suodattimen ajastin nollautuu automaattisesti hälytyksen hyväksymisen jälkeen.

Tehdasasennetut tuloilmasuodattimet ovat tyyppiä M5/ePM10 50% ja poistoilmasuodattimet ovat tyyppiä M5/ePM10 50%. Suodattimet on vaihdettava, kun ne ovat likaantuneet. Uusia suodatinsarjoja saa asentajalta tai tukkuliikkeestä.

Suodatinlaatu F7/ePM1 60 % voidaan asentaa tuloilmasuodatukseen. Suodatintyyppi on merkitty suodattimen päälle.



Kuva 17 Lämmönsiirtimen suodattimet

6.3.1 Suodatinlaskurin palautus

Kun suodatin on vaihdettu, suodattimen aika on nollattava. Siirry suodattimen valikkoon (katso 5.4 Valikkokatsaus, sivu 75, kohta E) tai jos suodattimen hälytys on päällä, napsauta hälytystilan viivan päällä (katso 5.5 Aloitusnäyttö, sivu 76, kohta 5) ja valitse suodatinhälytys. ValitseVAIHDA SUODATINponnahdusvalikosta, määritä uusi suodattimen käyttöaika ja vahvista valintasi painamalla OK.

Suodattimen aika on nyt nollattu.

6.4 Lämmönsiirtimen tarkastus ja puhdistus



Vaara

• Varmista ennen huolto- tai sähkötyöiden aloitusta, että koneen jännitteensyöttö on irtikytketty!

Säännöllisestä huollosta huolimatta pölyä kerääntyy lämmönvaihdinyksikön sisälle. Suuren tehokkuuden ylläpitämiseksi on sen vuoksi oleellisen tärkeää irrottaa lämmönvaihdinyksikkö koneesta ja puhdistaa se säännöllisesti seuraavan kuvauksen mukaisesti. Puhdistusta lämmönvaihdin vähintään joka kolmas vuosi tai tarvittaessa.

1. Kytke irti roottorin virtalähde ja roottorin anturi. Kaapelit ovat roottorin takasivulla.
2. Vedä roottoria itseäsi kohti. Se voi vaatia jonkin verran voimaa.
3. Puhdistaa roottori.

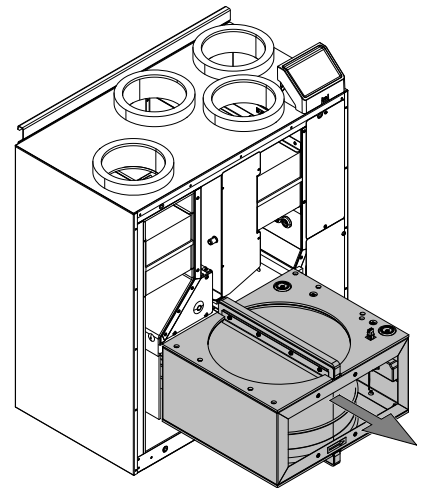
Pese lämpimällä saippuvedellä. Älä käytä ammoniakkaa sisältävää pesuainetta. Huuhtelee esim. käsisuihkulla.



Varoitus

Varmista, ettei roottorin moottoriin pääse kosteutta.

4. Irrota roottori. Muista kytkeä roottorin virta- ja anturikaapelit.



Kuva 18 Lämmönvaihdin

6.5 Puhaltimien puhdistus



Vaara

- Varmista ennen huolto- tai sähkötyöiden aloitusta, että koneen jännitteensyöttö on irtikytetty!

Moottorin laakerit on kestovoideltu, joten ne eivät tarvitse huoltoa.

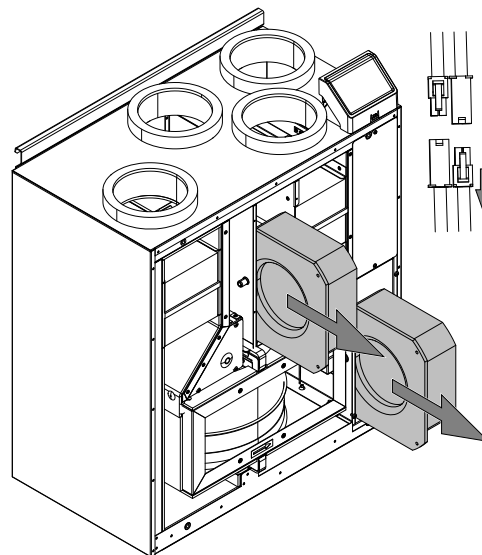
Säännöllisestä huollosta, kuten suodattimien vaihto, huolimatta pölyä ja rasvaa saattaa vähitellen kerääntyä puhaltimien sisälle. Tämä heikentää suorituskykyä.

Puhaltimet voi puhdistaa seuraavasti.

1. Kytke irti puhaltimien virtakaapelit. Kaapelit ovat puhaltimien takasivulla.
2. Vedä puhaltimia itseäsi kohti. Se voi vaatia jonkin verran voimaa.
3. Puhdistaa puhaltimet liinalla tai pehmeällä harjalla. Älä käytä vettä. Pinttyneet kerrostumat voi poistaa mineraalitärpätillä.

Anna puhaltimien kuivua kunnolla ennen asennusta.

4. Asenna puhaltimet. Muista kytkeä puhaltimien virtakaapelit.

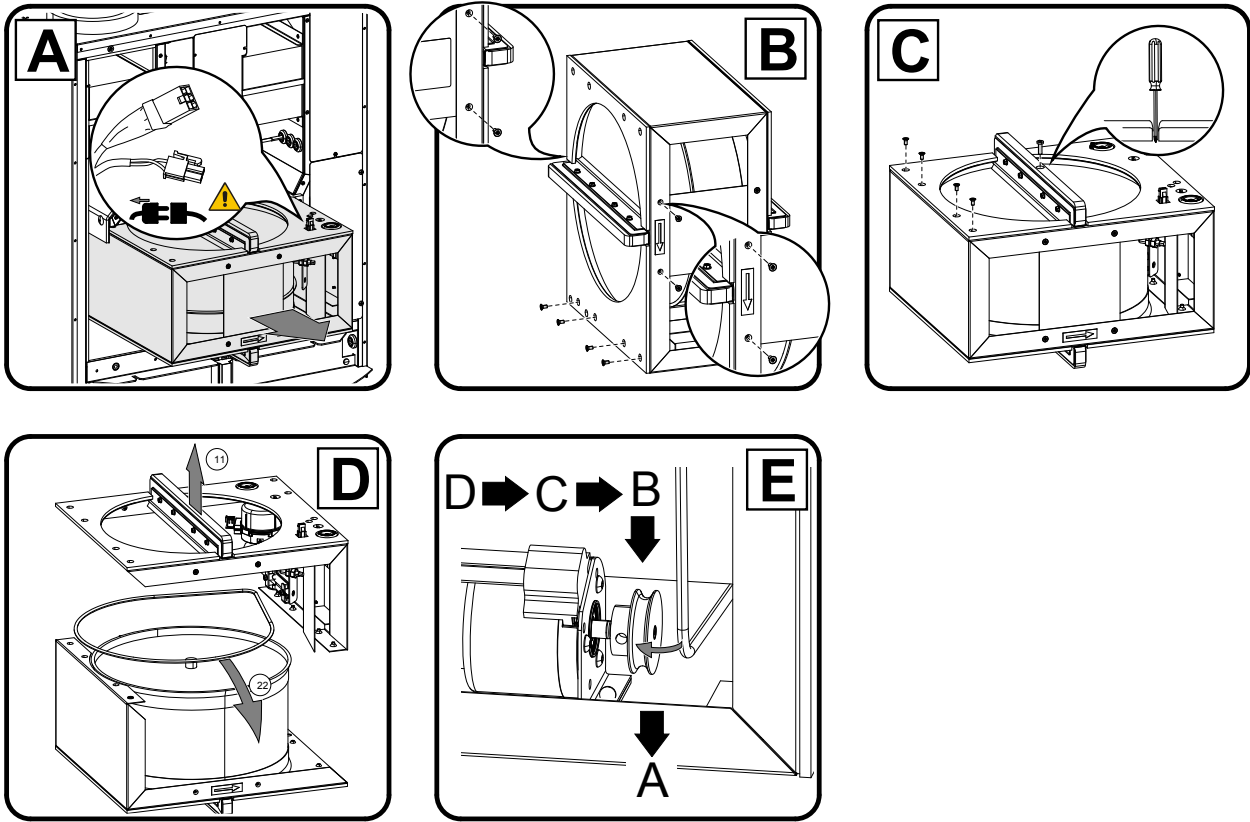


Kuva 19 Poisto- ja tuloilmapuhaltimet

6.6 Roottorin käyttöhihnan vaihtaminen

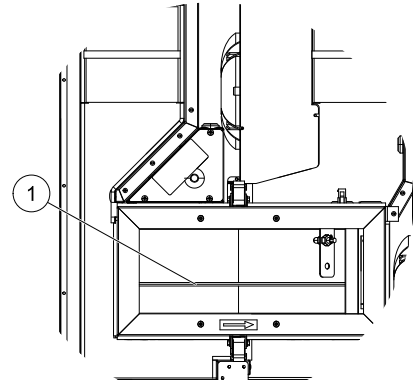
Jos roottorivahhti hälytys annetaan, roottorin käyttöhihna saattaa olla vaurioitunut tai poikki, katso luku 8.1.

Koneen mukana toimitetaan lämmönsiirtimen ympärille pujotettu ylimääräinen vetohihna.



Jos hitsattu hihna katkeaa, se voidaan väliaikaisesti korjata nipalla, kunnes hitsattu hihna voidaan korvata uudella. Yksikön asennustavasta riippuen lämmönsiirrinpaketin voi joutua irrottamaan vaurioituneen käyttöhihnan vaihtamista varten, koska hihnapyörään ei muuten pääse käsiksi.

1. Pysäytä yksikkö irtikytkemällä verkkojännite.
2. Avaa ja irrota sivupelti.
3. Poista vaurioitunut käyttöhihna.
4. Kiinnitä käyttöhihna lämmönsiirtimeen teipillä ja pyöritä lämmönsiirrintä käsin, kunnes saat kiinni käyttöhihnasta.
5. Poista teippi ja aseta tyhjä puoli nipan päälle. Paina päitä vastakkain ja kiristä nippa.



Kuva 20 Roottorin käyttöhihna

6. Vedä käyttöhihna hihnapyörälle ja pyöritä lämmönsiirrintä käsin. Tarkasta, että hihnapyörä pyörii.



Huom!

Jos käyttöhihna luistaa, hihna saattaa olla liian pitkä ja sitä pitää lyhentää. Lyhennä käyttöhihnaa 5 mm ja jatka kohdasta 5.

7. Asenna ja lukitse sivupelti ja kytke jännitteensyöttö.
8. Tarkasta, että hälytys on hävinnyt näytöstä.

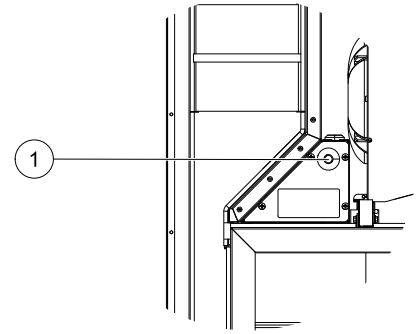


Huom!

Jos hälytys näkyy edelleen, tarkasta roottorin anturi.

6.7 Ylikuumenemisanturin palautuspainike

Jos tuloilman lämpötila on alhainen, ylikuumenemissuoja on ehkä lauennut. Ylikuumenemissuoja voidaan palauttaa palautuspainikkeella.



6.8 Kanaviston huolto

6.8.1 Poistosäleikköjen ja tuloilmahajottimien puhdistus

Järjestelmä syöttää raikasta ulkoilmaa kotiin ja poistaa käytetyn sisäilman kanaviston ja hajottimien/venttiilien kautta. Hajottimet ja venttiilit on asennettu seiniin ja kattoihin makuuhuoneissa, olohuoneessa, kylpyhuoneissa, wc:ssä jne. Ir-rota hajottimet ja venttiilit ja pese ne tarvittaessa saippuavedellä (varo sekoittamasta hajottimia/venttiilejä). Hajottimet/venttiilit voidaan puhdistaa tarvittaessa.

6.8.2 Ulkoilmanoton tarkastus

Lehdet ja roskat saattavat tukkia ilmanottosäleikön ja heikentää koneen tehoa. Tarkasta ilmanottosäleikkö ja puhdistaa tarvittaessa. On suositeltavaa tehdä tämä vähintään kaksi kertaa vuodessa.

6.8.3 Kattohormin tarkastaminen

Poistoilmakanavaan liitetty kattohormi on tarkistettava vähintään kaksi kertaa vuodessa ja puhdistettava tarvittaessa.

6.8.4 Kanaviston tarkastus ja puhdistus

Pöly- ja rasvakerrostumia saattaa muodostua kanavistoon, vaikka suodattimet vaihdetaankin säännöllisesti. Tämä heikentää järjestelmän suorituskykyä.

Kanavat tulee sen vuoksi puhdistaa/vaihtaa tarvittaessa. Teräskanavat voidaan puhdistaa vetämällä kuumaan saippuaveteen kastettu harja kanavan läpi hajotin-/säleikköaukkojen tai erityisten tarkastusluukkujen (jos asennettu) kautta.

Kanavisto tulisi puhdistaa 5 vuoden välein. Se kannattaa teettää IV-alan yrityksellä.

7 Vianetsintä

Jos ilmenee ongelmia, tarkista seuraavat kohdat, ennen kuin otat yhteyttä valtuutettuun huoltoon.

Häiriö	Toimenpide
Puhaltimet eivät käynnisty	<ol style="list-style-type: none"> 1. Tarkista hälytykset ohjauspaneelista. 2. Tarkista, että kaikki sulakkeet ja pikaliittimet on kytketty (päävirta ja tulo- ja poistoilmapuhaltimien pikaliittimet). 3. Tarkista, että viikkoaikataulu on PÄÄLLÄ ja käynnissä AUTO tilassa. Viikon aikataulu voi olla POIS tilassa, kun ilmavirta on asetettu arvoon POIS (luku 5.7).
Vähentynyt ilmavirta	<ol style="list-style-type: none"> 1. Tarkista hälytykset ohjauspaneelista. Jotkut aktiivisena olevat hälytykset voivat vähentää ilmavirtaa MATALA -tasolle. 2. Laitte voi olla sulatustilassa. Tämä pienentää puhaltimen nopeutta ja joissakin tapauksissa pysäyttää tuloilmapuhaltimen kokonaan sulatusjakson aikana. Puhaltimet palaavat normaaliksi sulatuksen jälkeen. Jos sulatus on aktiivinen, sovelluksen tai ohjauspaneelin aloitussivulla on sulatustoiminnon kuvake. 3. Jos ulkolämpötilan lämpötila on alle 0 °C (Ulkoilman lämpötila-anturi (OAT) mittaa <0 °C), ulkoilman kompensointitoiminto voi olla aktiivinen (jos se on käytössä). Puhaltimen nopeutta (tulo- tai tulo- /poistoilmapuhaltimet) vähennetään lineaarisesti ulkolämpötilan alentamiseksi. 4. Tarkista, että tilapäinen käyttötapa, joka vähentää ilmavirtaa, ei ole aktivoitu, esimerkiksi POISSA, LOMA jne. Lisäksi tarkista digitaalitulot KESKUSPÖLYNIMURI ja LIESIKUPU. 5. Tarkista ilmavirran asetus käyttöpaneelissa. 6. Tarkista viikkoaikataulu (luku 5.7). 7. Tarkista suodattimet. Onko suodattimien vaihtoa vaadittu? 8. Tarkista säleiköt ja huoneventtiilit. Onko tarpeen puhdistaa säleiköt ja/tai venttiilit? 9. Tarkista puhaltimet ja lämmönvaihdin. Onko puhdistus tarpeen? 10. Tarkista, ovatko rakennusten ilmanotto- ja kattoyksiköt tukkeutuneet. 11. Tarkista näkyvät kanavat ja varmista, että ne eivät ole pölyisiä. 12. Tarkista venttiilien aukot välykset.
Laitetta ei voi ohjata (ohjaustoiminnot eivät toimi)	<ol style="list-style-type: none"> 1. Nollaa ohjaustoiminnot irrottamalla pistoke pois 10 sekunniksi. 2. Tarkista moduuliyhteysliitäntä ohjauspaneelin ja pääpiirilevyn välillä.
Matala tuloilman lämpötila	<ol style="list-style-type: none"> 1. Tarkista hälytykset ohjauspaneelista. 2. Tarkista ohjauspaneelin etusivulta, onko sulatus toiminto käynnissä. 3. Tarkista asetettu tuloilman lämpötila käyttöliittymästä. 4. Tarkista käyttöliittymästä, onko ECO tila aktivoitu (se on virransäästötoiminto ja estää lämmittimen aktivoinnin). 5. Tarkista, onko käyttötapa LOMA, POISSA tai TEHOSTUS aktivoitu käyttöliittymässä tai kiintokytkimen kautta. 6. Tarkista analogiset tulot huolto-valikossa ja varmista, että lämpötila-anturit toimivat oikein. 7. Jos koneessa on lämmityspatteri: Tarkista, onko sähköpatterin ylikuumentumissuojan termostaatti edelleen aktiivinen. Tarvittaessa nollaa painamalla punaista nappia sähkölämmityspatterin etulevyssä. 8. Tarkista, onko poistoilmasuodatin vaihdettava. 9. Tarkista onko jälkilämmityspatteri kytketty. Suomen oloissa on tarpeen käyttää sähkö- tai vesikiertoista jälkilämmityspatteria (ellei käytetä etulämmitystä.) Lämmityspatteri voidaan hankkia lisävarusteena.
Melu/tärinä	<ol style="list-style-type: none"> 1. Puhdista puhaltimen siipipyörät. 2. Varmista, että puhaltimien kiinnitysruuvit on kiristetty kunnolla. 3. Tarkista, että tärinänestolistat on asennettu kiinnitystelneeseen ja laitteen takaosaan. 4. Tarkista, ettei roottorin hihna ole löysällä, jos laitteessa on roottorilämmönvaihdin.

8 Hälytykset

Paina aktiivisen hälytyksen ОНЖЕ -painiketta, jos haluat nähdä usein kysytyjä kysymyksiä ja vianmäärittäjiä (jos saatavilla). Poista yksittäinen hälytys painamalla КУИТТАА. Riippuen hälytystyyppistä ja syystä, voi olla tarpeen määrittää hälytyksen aiheuttaja ennen hälytyksen kuittaamista

Hälytyksen tilaa ei ehkä voi poistaa, jos hälytyksen syy on edelleen läsnä.

8.1 Hälytysluettelo

Hälytyksen nimi	Selitys	Toimi seuraavasti
Jäätymissuoja	Paluuveden jäätymissuoja lämmityspatterissa. <ul style="list-style-type: none"> Hälytys pysäyttää koneen ja avaa vesiventtiilin kokonaan. 	Hälytys nollautuu kun veden lämpötila on 13°C. Tarkista veden lämpötila lämmityspatterissa. Tarkista vesilämmittimen kiertopumppu. Ota yhteyttä asentajaan tai myyjään.
Jäätymissuojan lämpötila - anturi	Ilmaisee vesipatterin lämpötila-anturin toimintahäiriön <ul style="list-style-type: none"> Hälytys pysäyttää laitteen. 	Tarkista, että jäätymissuojan lämpötila-anturi on kytketty kunnolla ja että kaapeli on ehjä. Ota yhteyttä asentajaan tai myyjään.
Sulatusvirhe	Ilmaisee, että etulämmitin ei lämmitä ulkoilmaa tarpeeksi (edellyttäen että Lisäsäädin on konfiguroitu kuten Etulämmitin). <ul style="list-style-type: none"> Hälytys pysäyttää laitteen. 	Tarkista etulämmittimen nollauspainike. Tarkista etulämmittimen kaapelointi. Ota yhteyttä asentajaan tai myyjään. Sulatusvirhe voi johtua erittäin alhaisesta ulkoilman lämpötilasta tai etulämmittimen toimintahäiriöistä.
Tuloilmapuhaltimen rpm	Tuloilmapuhaltimen pyörimisnopeus on pienempi kuin vaadittu vähimmäismäärä. Puhaltimen toimintahäiriö. <ul style="list-style-type: none"> Hälytys pysäyttää laitteen. 	Tarkista puhaltimen liittimet. Ota yhteyttä asentajaan tai myyjään.
Poistoilmapuhaltimen rpm	Poistoilmapuhaltimen pyörimisnopeus on pienempi kuin vaadittu vähimmäismäärä. Puhaltimen toimintahäiriö. <ul style="list-style-type: none"> Hälytys pysäyttää laitteen. 	Tarkista puhaltimen liittimet. Ota yhteyttä asentajaan tai myyjään.
Tuloilmapuhaltimen ohjausvirhe	Tuloilman virtaus- tai painehälytys. Paine on painerajojen alapuolella. <ul style="list-style-type: none"> Hälytys pysäyttää laitteen. 	Tarkista, että paineanturin letku on kiinnitetty kunnolla ja että kaapeli on ehjä. Ota yhteyttä asentajaan tai myyjään.
Poistoilmapuhaltimen ohjausvirhe	Poistoilman virtaus- tai painehälytys. Paine on painerajojen alapuolella. <ul style="list-style-type: none"> Hälytys pysäyttää laitteen. 	Tarkista, että paineanturin letku on kiinnitetty kunnolla ja että kaapeli on ehjä. Ota yhteyttä asentajaan tai myyjään.
Palohälytys	Palohälytys on aktiivinen. <ul style="list-style-type: none"> Hälytys pysäyttää laitteen. 	Kun ulkoinen palohälytys on ohi, hälytys on kuitattava ja laite käynnistetään uudelleen.

Hälytyksen nimi	Selitys	Toimi seuraavasti
Hätätermostaatti	Ilmaisee että ylikuumenemissuojaus on lauennut (jos koneessa on sähkölämmityspatteri).	Lauennut manuaalinen tai automaattinen ylikuumenemissuoja (EMT) antaa hälytyksen ohjauspaneelissa. Jos manuaalinen ylikuumenemissuoja on lauennut, nollaa se painamalla nollauspainiketta. Jos automaattinen ylikuumenemissuoja on lauennut, se palautuu automaattisesti, kun lämpötila on laskenut. Jos ongelma jatkuu, ota yhteyttä asentajaan tai myyjään.
Ohituspelti	Osoittaa toimintahäiriön ohituspellissä.	Irrota päävirtalähde 10 sekunnin ajan nollataksesi ohjaustoiminnon. Käynnistä laite. Ohituspellin toiminta tarkastetaan automaattisesti. Jos hälytys ilmestyy uudelleen noin 2 minuutin kuluttua, ota yhteyttä asentajaan tai myyjään.
Pyörimisvahti	Ilmaisee roottorin toimintahäiriön Pyörimisvahdin signaali on ollut näkymättömissä 180 sekuntia.	Jos roottorilämmönvaihdin on pysähtynyt, tarkista, että roottorin hinta on kireä. Jos lämmönvaihdin pyörii edelleen, tarkista, että pyörimisvahdin pikaliitin on liitetty ja että vahdin ja magneetin välissä on 5-10 mm: n aukko. Säädä tarvittaessa aukko. Jos hälytys jatkuu, roottorin pyörimisvahti saattaa olla viallinen. Ota yhteyttä asentajaan tai myyjään.
Toisioilman pelti	Toisioilmalla sulatus epäonnistui. Ulkoilman lämpötila-anturi mittaa <10° C 2 sekunnin kuluttua sulatuksen jälkeen TAI Ulkoilman lämpötila-anturi mittaa < 5°C 5 minuutin kuluttua sulatuksen jälkeen	Tarkista, onko toisioilman pelti oikeassa asennossa. Tarkasta, että pelti on kytketty kunnolla ja että kaapeli on ehjä. Ota yhteyttä asentajaan tai myyjään.
Ulkoilman lämpötila - anturi	Ilmaisee ulkoilman lämpötila-anturin toimintahäiriön.	Tarkista, että anturi on liitetty oikein ja kaapeli on ehjä. Ota yhteyttä asentajaan tai myyjään.
Ylikuumenemislämpötila - anturi	Ilmaisee ylikuumenemislämpötila-anturin toimintahäiriön.	Tarkista, että anturi on liitetty oikein ja kaapeli on ehjä. Ota yhteyttä asentajaan tai myyjään.
Tuloilman lämpötila - anturi	Ilmaisee tuloilman lämpötila anturin toimintahäiriön.	Tarkista, että anturi on liitetty oikein ja kaapeli on ehjä. Ota yhteyttä asentajaan tai myyjään.
Huoneilman lämpötila - anturi	Ilmaisee huoneilman lämpötila-anturin toimintahäiriön.	Tarkista, että anturi on liitetty oikein ja kaapeli on ehjä. Ota yhteyttä asentajaan tai myyjään.
Poistoilman lämpötila - anturi	Ilmaisee poistoilman lämpötila anturin toimintahäiriön.	Tarkista, että anturi on liitetty oikein ja kaapeli on ehjä. Ota yhteyttä asentajaan tai myyjään.
Lisäsäätimen lämpötila - anturi	Ilmaisee lisäsäätimen lämpötila -anturin toimintahäiriön.	Tarkista, että anturi on liitetty oikein ja kaapeli on ehjä. Ota yhteyttä asentajaan tai myyjään.

Hälytyksen nimi	Selitys	Toimi seuraavasti
Hyötysuhteen lämpötila - anturi	Ilmaisee hyötysuhteen lämpötila-anturin toimintahäiriön.	Tarkista, että anturi on liitetty oikein ja kaapeli on ehjä. Ota yhteyttä asentajaan tai myyjään.
PDM RH	Ilmaisee sisäänrakennetun kosteusanturin toimintahäiriön. Aktiivinen: mitattu kosteus = 0% Palautettu: mitattu kosteus > 5%	Tarkista, että anturi on liitetty oikein ja kaapeli on ehjä. Ota yhteyttä asentajaan tai myyjään.
PDM RH Poistoilman lämpötila - anturi	Ilmaisee sisäisen poistoilman lämpötila-anturin toimintahäiriöstä. Aktiivinen: mitattu lämpötila = 0°C Palautettu: mitattu lämpötila > 5°C	Tarkista, että anturi on liitetty oikein ja kaapeli on ehjä. Ota yhteyttä asentajaan tai myyjään.
Suodatinvaroitus	Muistutus suodattimen vaihdosta.	Suodatin on vaihdettava kuukauden kuluessa. Hanki uudet suodattimet.
Suodatin	On aika vaihtaa suodatin	Vaihda suodatin. Vaihda suodatin ohjeiden mukaisesti. Lisätietoja suodatinmyyjistä löytyy Ohje-valikosta.
Lisäsäätimen hälytys	Virhe ulkoisessa laitteessa.	Tarkista, että ulkoinen laite on liitetty oikein ja kaapeli on ehjä. Nollaa ylikuumenemissuoja sähköisessä esilämmittimessä. Ota yhteyttä asentajaan tai myyjään.
Ulkoinen pysäytys	Laite on pysäytetty ulkoisella signaalilla.	Toiminta on pysäytetty digitaalisella signaalilla ulkoisesta etälaitteesta tai rakennusautomaatiosta.
Manuaalinen puhaltimen pysäytys on aktiivinen	Toiminta pysähtyy, puhaltimet ovat manuaalisessa tilassa ja SEIS-tila on valittu.	Valitse toinen puhaltimen nopeus (MATALA / NORMAALI / KORKEA) tai AUTO-käyttötapa ohjauspaneelin aloitussivulla.
Ylikuumenemislämpötila	Lämpötila jälkilämmittimen jälkeen on liian korkea. Aktiivinen: (Ylikuumenemislämpötila-anturi mittaa > 55°C) Palautettu: (Ylikuumenemislämpötila-anturi mittaa < 50°C)	Hälytys on mahdollinen, jos tuloilman virtaus on liian alhainen, kun jälkilämmitin on päällä. Tarkista tuloilmavirta. Tarkista, ettei ilmanotto-ritilä ole tukossa. Tarkista, että ulkoilman sulkupelti on auki. Ota yhteyttä asentajaan tai myyjään.
Tuloilman lämpötila on matala	Tuloilman lämpötila on liian matala. Aktiivinen: (Ulkoilman lämpötila-anturin mitat: < 0°C) JA (Tuloilman lämpötila-anturin mitat < 5°C) Palautettu: (Tuloilman lämpötila-anturin mitat > 10°C)	Tarkista lämmönvaihdin ja jälkilämmitin tai katso kohtaa 2 "Vianmääritys"-valikossa.
CO ₂	Ulkoisen CO ₂ -anturin toimintahäiriö.	Tarkista, että anturi on liitetty oikein ja kaapeli on ehjä. Jos anturi on langaton - tarkista RS485-portin tila ja anturin tila ohjauspaneelista. Ota yhteyttä asentajaan tai myyjään.

Hälytyksen nimi	Selitys	Toimi seuraavasti
RH	Ulkoisen kosteusanturin toimintahäiriö.	Tarkista, että anturi on liitetty oikein ja kaapeli on ehjä. Jos anturi on langaton - tarkista RS485-portin tila ja anturin tila ohjauspaneelistä. Ota yhteyttä asentajaan tai myyjään.
Lähtö manuaalisessa tilassa	Yksi tai useampi analogisista lähdöistä on manuaalisessa tilassa.	Etsi huoltovalikosta lähtöjen asetukset ja tarkista, että kaikki konfiguroidut lähdöt ovat Auto-tilassa. Jos jokin lähtö on manuaalisessa tilassa - vaihda takaisin Auto-tilaan.

Palohälytys voidaan aktivoida ainoastaan savuilmamittimen, palohälytysjärjestelmän tai muun vastaavan järjestelmän digitaalista signaalia käyttäen. Tämä hälytys toimii vain, kun digitaalisen tulon tyyppi on määritetty Palohälytys.

Digitaalinen lähtö, jonka tyyppi on määritetty Summahälytys, lähettää yleisen signaalin aina hälytyksen lauetessa (lukuun ottamatta hälytyksiä Ulkoinen pysäytys, Lähtö manuaalisessa tilassa ja Puhaltimen manuaalinen pysäytys). Signaali ei kerro hälytyksen syytä.



www.systemair.com