



Description:

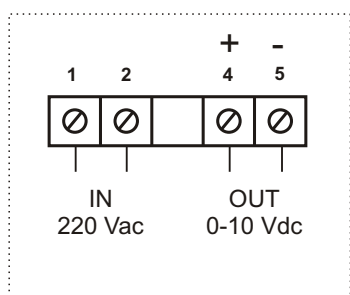
Potentiometer mounted in an IP44 splash water proof housing.
Can be used for inset mounting as well as for surface mounting.

The MTV-1/010 potentiometer is developed to control fans equipped with a DC-motor.
The potentiometer needs a supply of 230 Vac, and gives a stepless output signal from 0-10 Vdc.

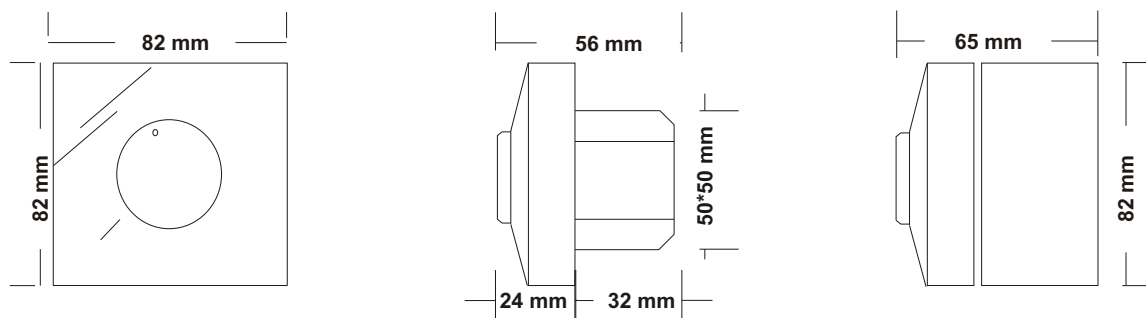
Features:

- ⚡ Supply 230 Vac
- ⚡ Output: 0-10 VDC (8 mA)

Wiring diagram:



Dimensions:



	weight
MTV-1/010	165 gr