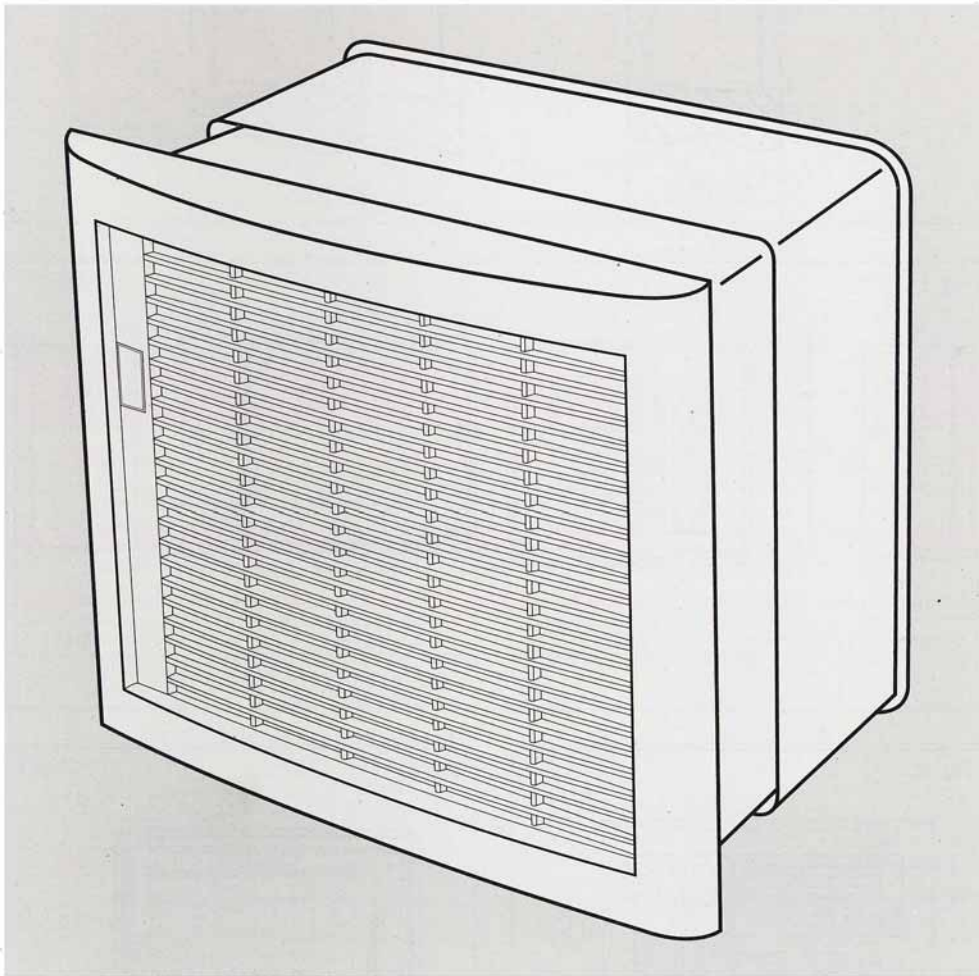
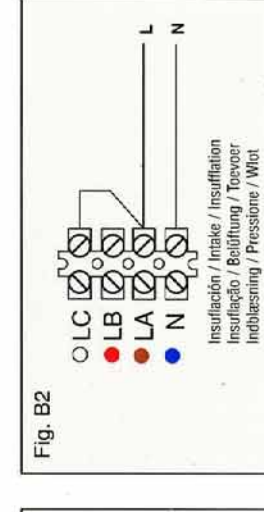
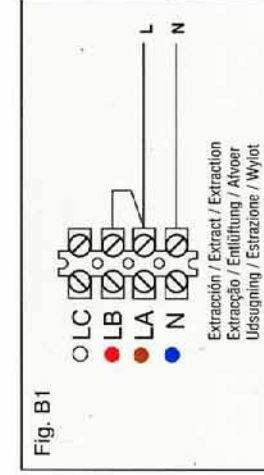
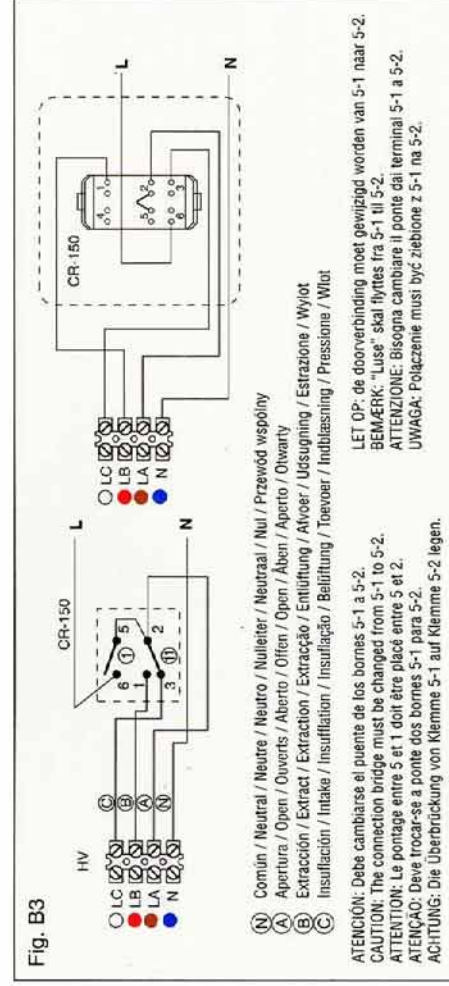
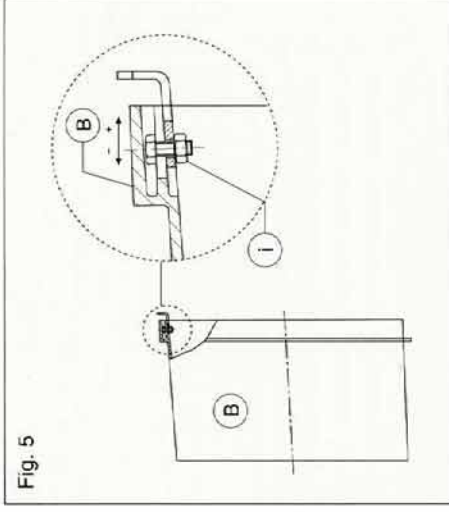
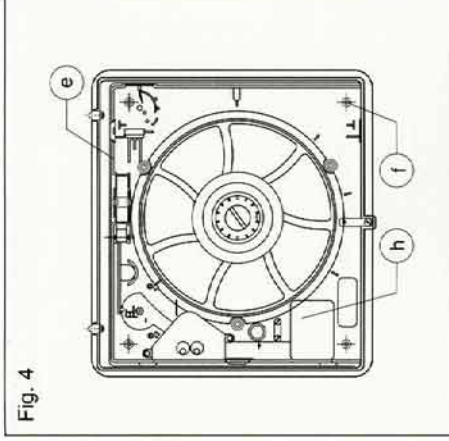
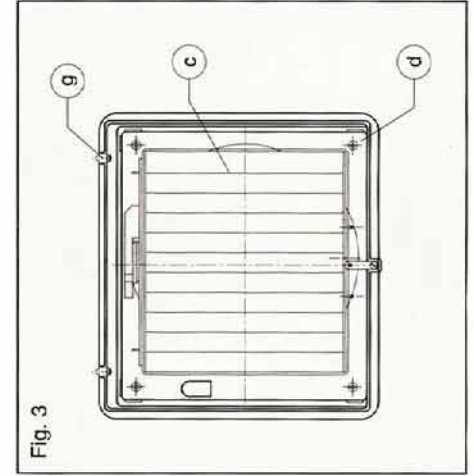
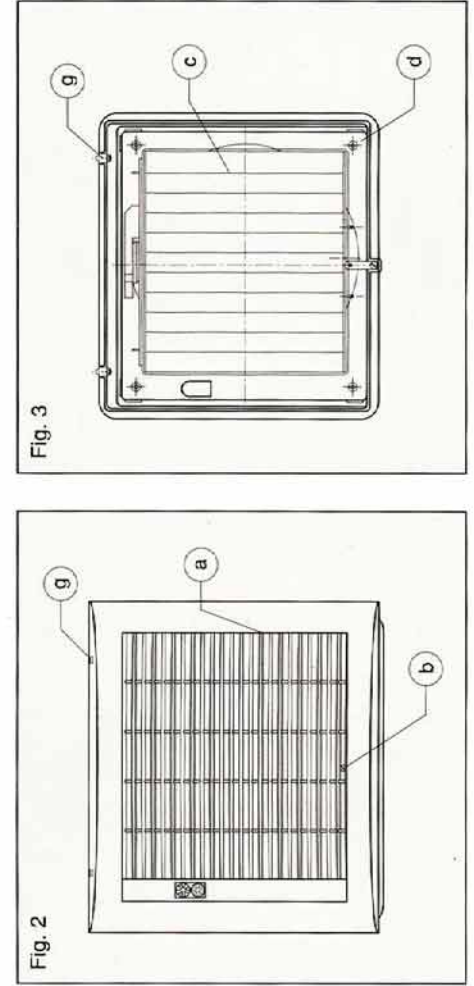
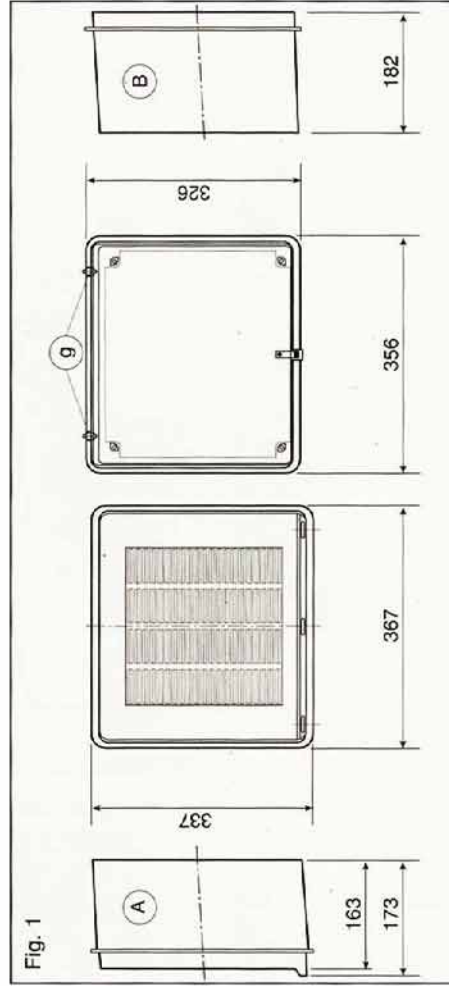
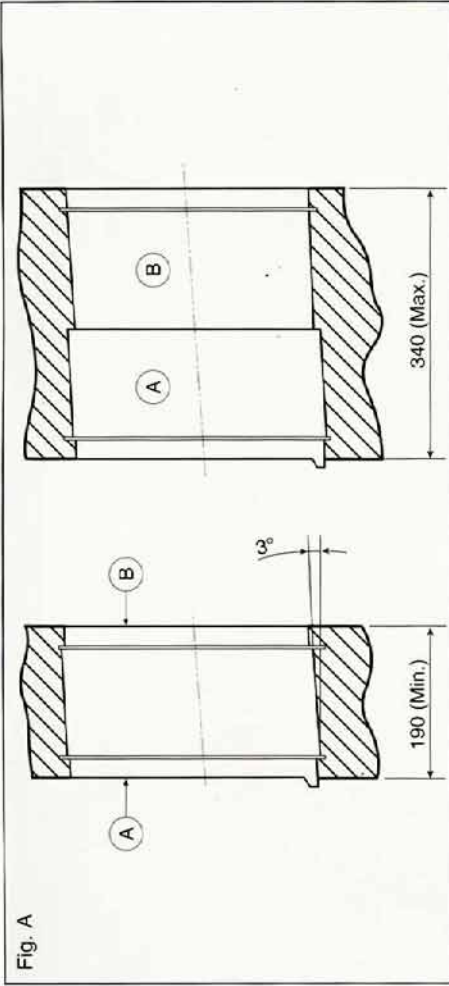
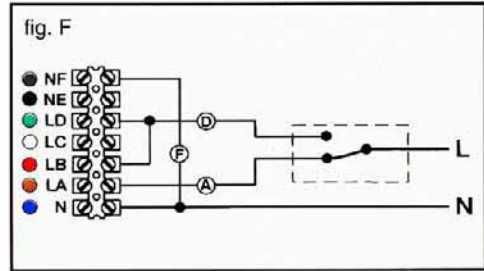
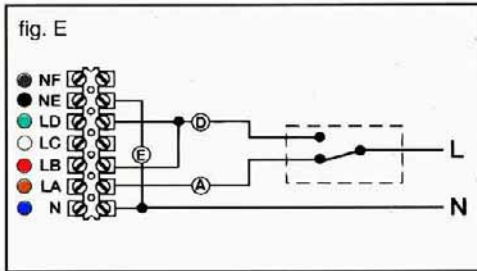
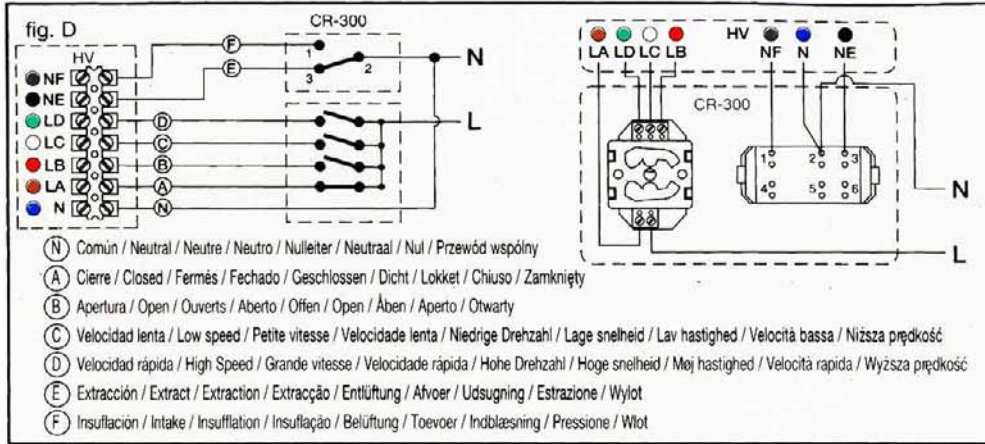

HVE



Instrucciones de instalación
Fitting instructions
Notice de montage
Istruzioni di montaggio
Instruções de instalação

Montageanleitung
Montage- en gebruiksaanwijzing
Monteringsinstruktion
Instrukcja obsługi i montażu





FITTING INSTRUCTIONS

ENGLISH

STYLVENT fans are manufactured in accordance with the most rigorous production and quality assurance standards, including iso 9001. All the components are individually tested and every appliance is checked at the end of manufacturing process.

We recommend that you check the following when receiving the fan as any fault will be covered by the **S&P** guarantee:

- That the size is correct
- That the execution is correct
- That the details on the rating plate are those that you require: voltage, frequency, speed, etc.

Important recommendations

- The installation must be carried out in accordance with the regulations in force in your country.
- If the fan operates as an extractor in a room with a boiler or any other type of appliance which requires air combustion, check that there are adequate replacement air inlets.
- Ensure that voltage and frequency of mains supply is compatible with that indicated on the characteristics plate of the appliance.
- The electrical installation must incorporate a single pole switch with an air gap of at least 3 mm.

Installation

The HVE-fan consists of two parts: the external box (A) with the external grille attached and an internal box (B) which slides into the external box (A) and into which the fan is mounted.

- Make a hole in the wall where the fan is to be mounted taking into account the dimensions showed on fig.1. The electrical wiring must be able to reach the appliance when it is mounted into the wall.
- Dismantle the appliance taking into account the following instructions:
 - Fig. 2- Remove the internal grille (a) by undoing the fixing screw (b)
 - Fig. 3- Remove the shutter (c) by unscrewing the 4 plastic nuts (d)
 - Fig. 4- Remove the support plate (e) by undoing the 4 metal cross pieces (f)
- There are two notches provided in each box, one located on the side and the other on the bottom of the fan. Select the most appropriate one taking into account the position of the electrical connection wiring.
- Built the box (A) so that the sleeve is flush with the wall surface, taking care to ensure that it is not be distorted and respecting the slope (2-3°) at the bottom of the box is maintained to permit efficient drainage (Fig. A).
- Built the box (A) so that the sleeve is flush with the wall surface, taking care to ensure that it is not to be distorted and respecting the slope (2-3°) at the bottom of the box is maintained to permit efficient drainage (Fig. A). The two hooks (fig. 1-g) must be placed in the upper position.

Once the two boxes are mounted into the wall, mount the HVE-fan in accordance to the following steps:

- Fig. 4- Position the support plate (e) and fix with the 4 metal cross pieces (f).
Connect the electrical wiring to the terminal box (h) following the instructions set under **"Electric connection"**.
- Fig. 3- Put the shutter (c) in place and fix it using the 4 plastic nuts (d)
- Fig. 5- If necessary, adjust the distance between the hooks and the wall so that the grille is correctly aligned. To do this, loosen the nut (i) and slide the hook.
- Fig. 2- Mount the internal grille (a) placing the 2 hooks (g) of the external box (b) into the rectangular openings of the upper part of the external grille and tighten the fixing screw (b).

Electrical connection

- The HVE-fans are class II (double electrical insulation) and, therefore, it is not necessary to connect them to earth.

Models HVE-230 A

Automatic model with motorised shutter.

For electrical connections, follow wiring diagrams fig. D, E and F (see marked text)

Features of the fans:

- 1- Fan stopped and shutter closed.
- 2- Fan on high speed working as air extract with shutter open (orange ✱ pilot light on).
- 3- Fan on low speed working as air extract with shutter open (orange ✱ and green ⚡ pilots lights on).
- 4- Fan stopped and shutter open (green ⚡ pilot light on).
- 5- Fan in reverse high speed supplying air in the room with shutter open (orange ✱ pilot light on intermittently).

To operate these functions with the "A" models use the accessory CR-300.

It is made of a four position contactor.

- 0 : Fan stopped and shutter closed.
- : Fan extracting on high speed and shutter open.
- : Fan extracting on low speed and shutter open.
- ⚡ : Fan stopped and shutter open (natural ventilation) and an isolator (⚡ ⇄):
- ⇄ : Fan extracting air.
- ⇄ : Fan supplying air.

For the interconnection between the fan (HVE-230) and the remote control Cr-300 a 7-wires cable is available as an accessory.

1 CR: max. 5 HVE-230

For using the fan only on high speed, extracting operation with shutter open: follow the diagram Fig. E.

For using the fan only on high speed, supplying air operation with shutter open: follow the diagram Fig. F.

To get the same functions with the "M" model, operate the pullcord as follows:

- First pull: Fan extracting on high speed with shutter open.
 - Second pull: Fan extracting on low speed with shutter open.
 - Third pull: Fan stopped and shutter open (natural ventilation).
 - Fourth pull: Fan stopped and shutter closed.
- To reverse the direction of the air-flow, move the pullcord horizontally and repeat the above operations.

Do not reverse the direction of rotation of the fan while the fan is operating.

HVE-AE

Model provided with a thermal system which opens the shutter. **If will take a few seconds for the shutter to fully open.** Carry out the electrical connection, in accordance with one of the diagrams of the fig. B depending on the desired operating system:

- Fig. B1: HVE-AE extraction only
- Fig. B2: HVE-AE intake only
- Fig. B3: HVE-AE extraction and intake (reversible) with the CR-150 accessory

HVE-RC

Model with a radio frequency remote control.

- To do the electrical connection, follow the diagram of the Fig. C

Use of the Remote Control Unit (supplied complete with support and battery)

- The remote control is supplied complete with a battery. Remove the cover at the back of the unit and fit the battery so that the +pole matches with the + pole in the battery housing.
- For the Remote Control Unit to function correctly, press the selected button for half a second.
- The Remote Control Unit operates by radio frequency and so it is not necessary to point the controller towards the fan. Therefore the controller will operate successfully when mounted on a wall using the support bracket provided.
- One Remote Control device can be used to control several units.
- The different functions of the Remote Control Unit are as follows:
 - Fan stopped and shutter closed
 - Fan on high speed, working as air extractor and shutter open (orange pilot light on)
 - Fan on low speed, working as air extractor and shutter open (orange and green pilot lights on)
 - Fan on reverse high speed, supplying air into the room and shutter open (orange pilot light on intermittently)
 - Fan on reverse low speed, supplying air into the room and shutter open (orange pilot light on intermittently and green on)
 - Fan stopped and shutter open (natural ventilation position) (green pilot light on)

Further information on the Remote Control Unit

Because of the Remote Unit Control uses radio frequency, this enables one Remote Control Unit to control several fans. In cases where several fans are required to operate independently each with its own Remote Control Unit, the signal from the Remote Control Unit should be individually encoded. Each Remote Control Unit and each fan have a 4 digit code with two positions (0-1) which are supplied set to "0000". This code can be easily changed by setting the digits. The code of the Remote Control Unit must be the same as the code of the fan which it is to control.

Modification of code of the Remote Control Unit

- Remove the cover at the back of the unit and take out the battery
- The 4 digit code is placed inside the battery housing on the left side. All the digits are set to the "0" position. Use a small screwdriver to modify the code. To set to the position "1", move the digit forward.

Modification of the fan code

- Dismantle the external grille as explained under "**installation**"
- The Code is situated to the right of the pilots lights. The 4 digits are all set in the "0" position, To change them, use a small screwdriver. To set to the position "1", move the digit forward.

Maintenance

Clean the inner part (Fig.1-a) regularly with a cloth moistened with a mild soap.

Check the external grille and the impeller periodically. Those two pieces can be easily removed from the room for cleaning.

Technical assistance

The extensive S&P Official Services guarantees a suitable technical assistance. In case of failure of the appliance, please contact to any of the mentioned Services. Any manipulation carried out by other people than S&P Official Services will lead to the cancellation of the guarantee

(S&P reserves the right to alter specifications without notice).